

TIMKEN®



NATIONAL® INDUSTRIAL SEALS CATALOG



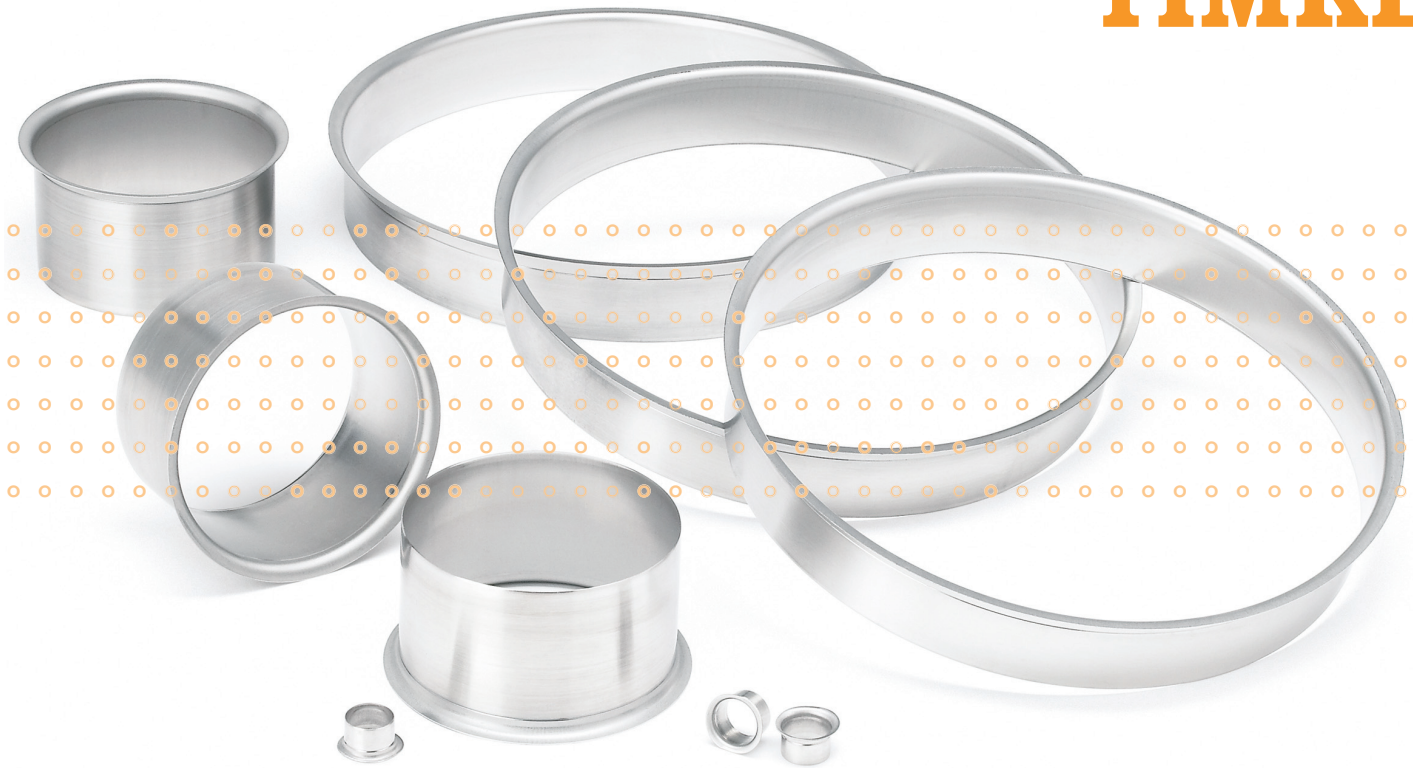


Timken

*offers an extensive line of sealing solutions for original equipment manufacturers and the aftermarket. Our line of National® industrial seals is made from **innovative** materials and process solutions that **enhance** life and performance in many industrial applications. This line of industrial seals adds value to the company's portfolio of friction management solutions. The seals are backed by the company's experienced technical support and distribution networks, giving **distributors** a single source for a wide range of bearings and **value-added extras** to help keep equipment running optimally.*



TIMKEN



**National[®]
Industrial Seals**

Redi-Seals®

Sealing Solutions Custom Made Overnight

Timken offers cost-effective and quick sealing solutions that help reduce downtime and help keep equipment running smoothly. Redi-Seals® help minimize downtime since they are available within 24 hours and in the right quantities – even a single seal.

Through an innovative manufacturing process, Redi-Seals are produced without long lead times, which offers distributors a more flexible and efficient way of doing business. Timken offers 11 types of Redi-Seals, custom made to fit your design, size, application, material and other specifications.

Redi-Seals are unique, high-quality sealing devices that require specific information before manufacturing. When ordering, you will need to specify the following information:

- Seal design or type
- Size: ranging from 0.827" (21mm) shaft to 13" (330mm) housing bore
- Inch or metric size
- Seal applications: industrial, agricultural or vehicular
- Seal material: Nitrile or Viton®
- Special features, including split seals

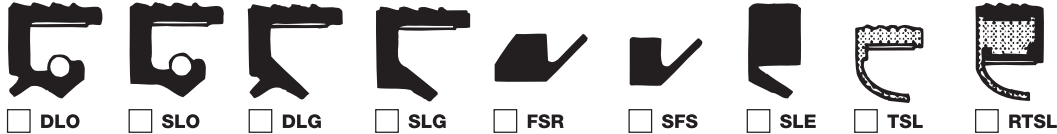


CUSTOM SEALS IN 24 HOURS

Redi-Seal Specification Checklist

Although Redi-Seals are manufactured to the same exacting standards and specifications as the stock product lines, exact dimensions are required before a seal can be made.

Please review the specifications manual before contacting Timken. A Zero Duplication™ seal may already meet your sealing requirements.



1. Choose a style. **NOTE: SLO and DLO also are available in split designs.**

2. Measure the required dimensions to the nearest 0.001" or 0.05mm.

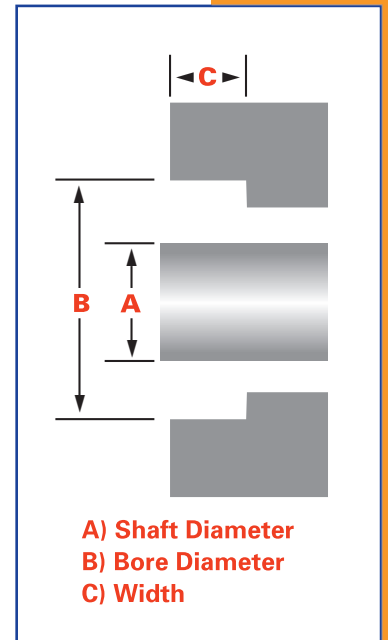
- Shaft Diameter _____
- Bore Diameter _____
- Width _____

3. Select the appropriate seal material

- Nitrile: -50° F to +250° F (-45° C to +121° C)
- Fluoroelastomer: -40° F to +400° F (-40° C to +205° C)
- PTFE: -650° F to +4500° F (-55° C to +232° C)
- R.O.D. PTFE (Type RTSL): -65° F to +300° F (-55° C to +150° C)

4. Note any important application details:

- Shaft Speed _____ RPM
- Temp Range _____
- Lubricant _____
- Comments _____



To order National industrial seals, contact your Timken sales representative or call 1.877.4.TIMKEN in the U.S. In Canada, call 1.800.565.4927 for English or 1.800.565.0438 for French-Canadian. Visit us on the Web at www.timken.com/industrialseals.

CAUTION: Redi-Seals are not recommended for the following applications:

- Rear-wheel bearing seals on rear-wheel drive vehicles
- Stub-shaft seals on front-wheel-drive vehicles
- Automatic transmission front pump seals
- Power steering pump seals
- Any nuclear applications
- Any aircraft/aviation/aerospace applications



Redi-Sleeves®

REPAIR DAMAGED SHAFTS ... OR PROTECT NEW ONES

Redi-Sleeves® offered by Timken are precision stainless steel wear sleeves, designed to be pressed onto a shaft to provide an enhanced sealing surface. Redi-Sleeves are fast, inexpensive repair options for grooved or worn shafts.

Redi-Sleeves are pressed onto a shaft where indications of seal wear, such as tracks or grooves, have developed. Using a Redi-Sleeve gives the shaft a smooth, ideal sealing surface.

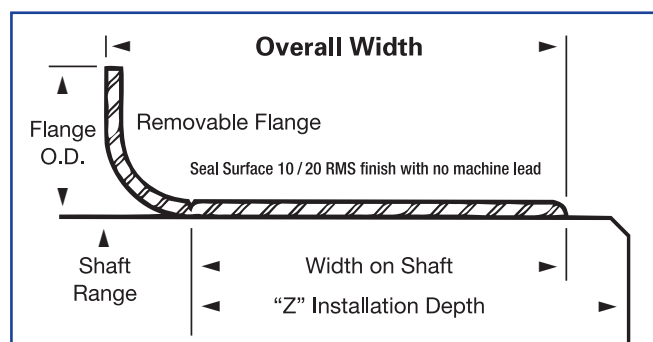
Fast, Inexpensive Shaft Repairs

Timken's line of Redi-Sleeves are easy to install and feature a removable flange and an installation tool. When using Redi-Sleeves, you receive:

- Strong, durable stainless steel construction that provides a corrosion-free sealing surface
- Ultra-thin construction that allows original seal size to be used with minimal additional lip loading
- Redi-Sleeve sealing surfaces that are ground to a 10-20 microinch Ra (0.25-0.50 Micrometer Ra) finish without lead
- Options for shafts from 0.5" (12.7mm) to 8" (203mm) diameters

Redi-Sleeve Size Selection

Selecting the proper size Redi-Sleeve is key to making sure equipment is up and running faster. To select the correct size, measure the shaft diameter where the sleeve will be positioned – ahead of the wear path. Do not measure the track worn by the old seal. The shaft needs to be measured in three positions: 12 o'clock to 6 o'clock, 2 o'clock to 8 o'clock and 4 o'clock to 10 o'clock. Average the three readings together to compensate for possible shaft out of round or error in measurement. Use the averaged measurement to select a part number from the size chart provided.



To order National industrial seals, contact your Timken sales representative or call 1.877.4.TIMKEN in the U.S. In Canada, call 1.800.565.4927 for English or 1.800.565.0438 for French-Canadian. Visit us on the Web at www.timken.com/industrialseals.

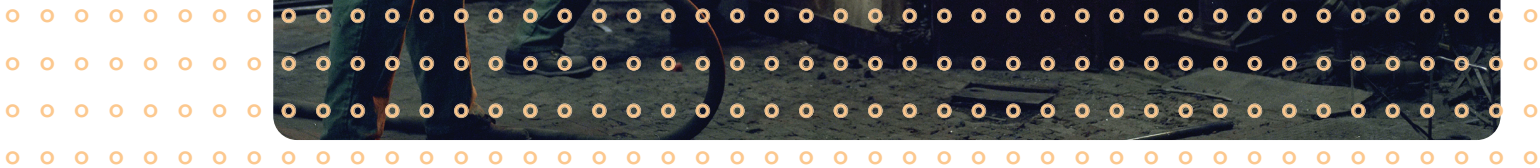
Shaft Repair Kits

Shaft Repair Kits provided by Timken save time and costly shaft replacements. These kits include the industry-tested, technician-approved seal in addition to a Redi-Sleeve.

To order National industrial seals, contact your Timken sales representative or call 1.877.4.TIMKEN in the U.S. In Canada, call 1.800.565.4927 for English or 1.800.565.0438 for French-Canadian. Visit us on the Web at www.timken.com/industrialseals.



KIT INFORMATION			INCH				METRIC			
Kit Number	Seal	Redi-Sleeve	Shaft Size	Housing Bore	Outside Diameter	Width	Shaft Size	Housing Bore	Outside Diameter	Width
412920K	412920	99225	2.250	3.371	3.376	0.375	57,15	85,62	85,75	9,53
470380K	470380	99149	1.500	2.375	2.378	0.312	38,10	60,33	60,40	7,92
470625K	470625	99150	1.500	2.250	2.254	0.312	38,10	57,15	57,25	7,92
470712K	470712	99112	1.125	1.874	1.878	0.250	28,58	47,60	47,70	6,35
471255K	471255	99062	0.625	1.375	1.379	0.250	15,88	34,93	35,03	6,35
471271K	471271	99248	2.500	3.251	3.256	0.375	63,50	82,58	82,70	9,53
471272K	471272	99225	2.250	3.000	3.005	0.375	57,15	76,20	76,33	9,53
471413K	471413	99125	1.250	1.752	1.756	0.250	31,75	44,50	44,60	6,35
471652K	471652	99112	1.125	1.624	1.628	0.250	28,58	41,25	41,35	6,35
471750K	471750	99125	1.250	1.983	1.987	0.250	31,75	50,37	50,47	6,35
471766K	471766	99125	1.250	2.000	2.004	0.250	31,75	50,80	50,90	6,35
472258K	472258	99133	1.375	2.000	2.004	0.312	34,93	50,80	50,90	7,92



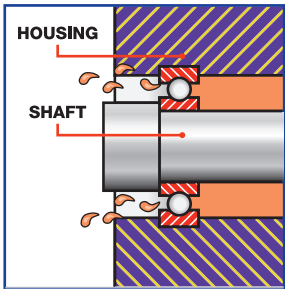
Zero Duplication™ Program

Keep lubricants and other critical fluids in, water and other contaminants out.

By consolidating your inventory into one systematic collection of premium-quality seals, the Zero Duplication program offered by Timken provides comprehensive coverage while minimizing the number of replacement seals you carry in inventory.



Zero Duplication is an effective way to do more with less. This program features a special selection of oil seals that are designed to meet the requirements of applications with shaft diameters up to 12" or 300mm – with zero duplication of comparable seals.



A seal keeps contaminants out and lubricants in to protect and extend bearing life.

Improve Coverage and Reduce Inventory

Each Zero Duplication seal offered by Timken effectively replaces several similar seals, providing comprehensive application coverage with less inventory. This line of seals incorporates the most effective performance features in a range of common sizes.

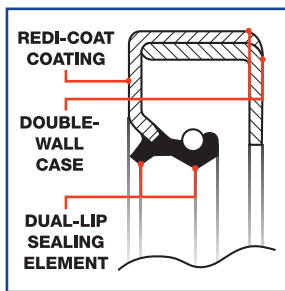
Design Features*

Spring-loaded, dual-lip sealing element. Uses two sealing lips, one spring-loaded tightly against the shaft to retain lubricants, the other functioning as a contaminant excluder.

Double-wall case. Reduces deformation to the case during installation and forms a secure, stable base for optimum sealing element performance.

Exclusive Redi-Coat® coating. Seals minor bore defects to help ensure a tight, leak-proof seal.

Optional fluoroelastomer sealing element (available in selected part numbers in addition to standard Nitrile seals). Provides excellent high-temperature capabilities, good compatibility with a wide range of fluids and long life.



Typical Zero Duplication seal design.

*Seal designs may vary. Not all features are used in all Zero Duplication seals.



MORE EFFICIENT, MORE PROFITABLE SEAL INVENTORY MANAGEMENT

Trust Zero Duplication Seals for Optimal Performance

Typically, a seal is replaced by an identical seal. Zero Duplication seals, however, offer performance equal and often superior to original seals. Even if the width, case design or sealing elements differ, Zero Duplication seals can provide optimal performance.

The Zero Duplication program offers tangible advantages for your customers:

- Faster, more responsive customer service
- Optimal seals for a wide range of applications
- The right seals in stock

Three Zero Duplication stocking plans have been developed to maximize coverage:

- **Gold** (up to 6"/160mm shaft sizes) – seals used in heavy industry (pulp and paper mills, ore processing, mining operations)
- **Silver** (up to 4"/100mm shaft sizes) – seals used in general industry (including heavy-duty, high-horsepower motors)
- **Bronze** (up to 2.5"/60mm shaft sizes) – seals used in light-duty service (including motion-control equipment, conveying operations)

We can also develop a customized Zero Duplication assortment based on an analysis of your present inventory.

Determining Zero Duplication Coverage

Zero Duplication seals are available to fit shafts from 0.250" to 12" in diameter and bore sizes from 0.499" to 14". Metric Zero Duplication seals are available to fit shafts from 7mm to 300mm in diameter and bore sizes from 16mm to 340mm.

Any part number listed in the Industrial Seals catalog that is in bold-face type is a Zero Duplication seal.

To order National industrial seals, contact your Timken sales representative or call 1.877.4.TIMKEN in the U.S. In Canada, call 1.800.565.4927 for English or 1.800.565.0438 for French-Canadian. Visit us on the Web at www.timken.com/industrialseals.

Advantages of the Zero Duplication program:

- Faster, more responsive service
- Simple, easy replacement seal selection
- Simplified ordering process
- Reduced acquisition costs
- Reduced storage costs and requirements
- Elimination of obsolete seals

27576 - 29840

Competitor Number	National Size & Type	Zero Duplication or Recommended Industrial
29292	416654	416654
29292	475012	416654
29300	416654	416654
29305	47665N	416654
29310	416654	416654
29316	416654	416654
29317	416654	416654
29317	475012	416654
29322	475012	416654
29360	475012	416654
29370	416654	416654
29371	416654	416654
29375	416654	416654

Zero Duplication part numbers are listed in bold-face type.

Using This Catalog

COMPLETE PRODUCT SELECTION DATA

Product Specification Section

The Specification section contains complete product data for Timken's line of National industrial seals. Size Listings for each style and type of seal or sleeve, as well as Material and compound selection guide, Compound compatibility chart, Recommended operation conditions chart, Installation instructions and Troubleshooting guidelines, also are included.

The Specification section contains an introduction, technical sections, complete size listings, numerical index, metric listing and seal/component design illustrations. All numbers are listed by size sequence and by the part number sequence.

Example:

PART NUMBER: If a part number is known and dimensional data is required, consult the **NUMERICAL LISTING**

DIMENSIONS: If the dimensions of a seal are known and a part number is required, consult the **SIZE LISTING** for specific information

Interchange Guide

The Interchange guide will assist in converting a competitor's part number to a corresponding seal. Begin by finding the identical first character of the product number (whether a letter or a numeral). Part numbers beginning with a letter will be listed in alphabetic, then numeric order.

All part numbers comprising numerals only will be listed in strict numeric order. For instances in which a letter appears in the middle of a part number (for example, 7A2125), the part number with the letter will be listed before any part numbers with a numeral in the same sequential position.

Example:

7A2125

71250

Part number 7A2125 will be listed before part number 71250



TABLE OF CONTENTS

SECTION 1 - TECHNICAL		Page Number
A	Oil Seal Design and Selection	
-	Types of Oil Seals	II
-	National Seal Part Numbering System	II
-	The Seal and Its Function	III
-	Oil Seal Nomenclature and Components	IV
-	Conversion Chart - RPM to FPM	IV
-	National Oil Seal Design Description	V-VI
B	Sealing Element Compounds	
-	Materials and Compounds Available for Sealing Elements	VII
-	Compound Selection Chart	VIII-XIV
C	Sealing System Preparation and Seal Installation	
-	Storage and Handling of Oil Seals	XV
-	Shaft Requirements	XVI
-	Bore Requirements	XVII
-	Installation of Seals, Procedures, Guidelines and Tools	XVIII
D	General Information	
-	Oil Seal Distress Analysis, Trouble Shooting Checklist	XIX
-	Redi-Sleeves Installation and Removal	XX
-	National Wear Sleeves Description, Installation and Removal	XXI
-	V-Seals Description, Material, Styles & Dimensional Reference	XXII
-	Seal Design Chart	XXIII-XXIV
SECTION 2 - SIZE LISTING		
-	Kits	123-126
-	O-Rings	282-284
-	Radial Shaft Seals	1-122
-	Redi-Sleeve™	130-133
-	Wear Sleeves	127-129
SECTION 3 - NUMERICAL LISTING		
-	Kits	237-239
-	Radial Shaft Seals	134-200
-	Redi-Sleeve™	243-246
-	V-Seals	247-250
-	Wear Sleeves	240-242
-	Industrial Metric Seals	200-236
-	Felt Seals	236
SECTION 4 - METRIC LISTING		
-	Seals listed according to sizes and types	251-281
SECTION 5 - INTERCHANGE GUIDE		
-	Alphabetical Listing	285-368
-	Numerical Listing	369-663
-	Abbreviations To Manufacturers	664-665

SECTION 1-A TECHNICAL

OIL SEAL DESIGN AND SELECTION

OIL SEAL NOMENCLATURE AND COMPONENTS

While industry has generally preferred the double lip or single lip, spring loaded seals, a wide variety of types and styles are produced to satisfy various application requirements.

To simplify the identification process of the oil seals a Type/Illustration column has been included in the Size, Numerical and Metric Listings of this catalog. The Type/Illustration number refers to the Oil Seal Illustration Chart. Just find the number on the illustration chart and the configuration of the component can be identified.

The National® Oil Seal Design Description is provided to illustrate seal types and to provide operating data and limitations for typical applications. Factors relative to oil seal design and selection are also reviewed. After size, application and seal requirements are determined, the proper seal can be located in the Size Section. Likewise, when the National part number is known, the size and type can be easily located in the Numerical Section.

NATIONAL SEAL PART NUMBERING SYSTEM

The National Oil Seal Engineering Department assigns the part numbers for all general purpose and special purpose seals. Each type and size combination manufactured is identified by an individual part number.

Three numbering systems are generally used to identify National Oil Seals:

1. General Purpose Seals—Five or six digit numbers. The first one or two digits usually signify seal type or construction. The last four digits refer to a specific assigned shaft and bore size combination but do not indicate seal size. They are assigned in consecutive order as a new shaft/bore combination is established. It may be possible to interchange seals for which the first one or two digits are different but for which the following digits are the same. Such an interchange determination should be based on whether alternative seal designs would meet the requirements of the specific application. Letter suffixes to part numbers within this manual usually refer to the sealing lip compound used.
2. A four digit number system is used for some seals and general purpose seal kits with primarily automotive applications. The numbers have been assigned consecutively and do not relate to seal size.
3. Preassigned blocks of numbers are used to identify certain groups of miscellaneous and special purpose seals:

370000A — Wheel End Seals	200000 to 200500 — Triple Lip Designs
380000A — PTFE Wheel End Seals	200600 to 200899 — Triple Lip Designs External
39000 to 39999 — PTFE Seals	200900 to 200999 — Dual-Lip Design
410000 to 499999 — Plain Round	201000 to 205999 — Wheel Seals
710000 to 799999 — Misc. Round Application	220000 to 230000 — Automotive Metric
99000 — Redi Sleeves	800000 — V-Seals
	J, JV, JX etc. — Wear Sleeves

If an oil seal has a prefix and/or suffix that is not included within this manual, contact your regional Timken Representative for more specific information.

SECTION 1-A TECHNICAL

OIL SEAL DESIGN AND SELECTION

THE SEAL AND ITS FUNCTION

Oil Seal Definition

As products, oil seals may be simply described as devices that close or *seal* the spaces between stationary and moving components in mechanical equipment . . . *they prevent lubricant from escaping.*

Oil seals often called grease, fluid or dirt seals are the vital components of practically every type of machine and vehicle in operation. These seals fulfill an exacting function . . . they protect all types of precision constructed, close fitting ball, sleeve and roller bearings.

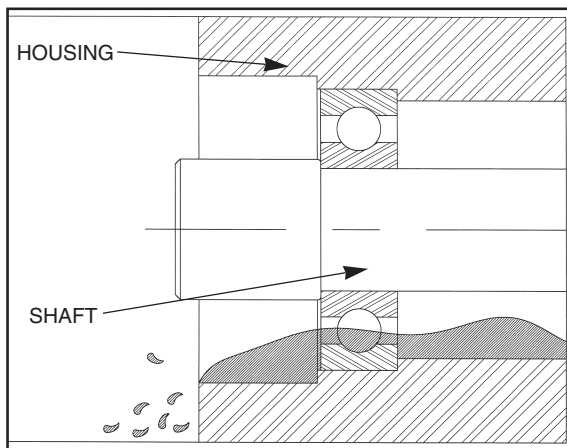
Oil Seal Function

Oil seals are used wherever shafts rotate and bearings require lubrication. In short, a seal is a barrier with three basic functions: 1) Retaining lubricants and liquids 2) Excluding contaminants 3) Seal or separate dissimilar fluids or gases.

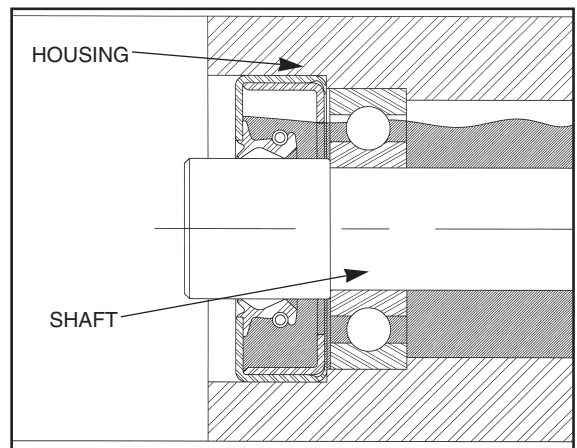
- Precision bearings rely on the oil seal to prevent lubricants from escaping the bearings or a specific area.
- Components of machines rely on the oil seal to prevent abrasives, corrosive moisture and other harmful contaminants from entering the mechanics of the machine.
- Separation of fluids and gases may completely rely on the seal to prevent intermixture of two different mediums such as lubricating oil and water.

Oil Seal In Use

In a typical application, the oil seal is installed adjacent to a bearing, sealing in or sealing out, as necessary, the various liquids, gases or solids encountered by the particular mechanism.



Without an oil seal . . . essential lubricant can escape through the bearing and . . . harmful dirt and foreign matter can enter.



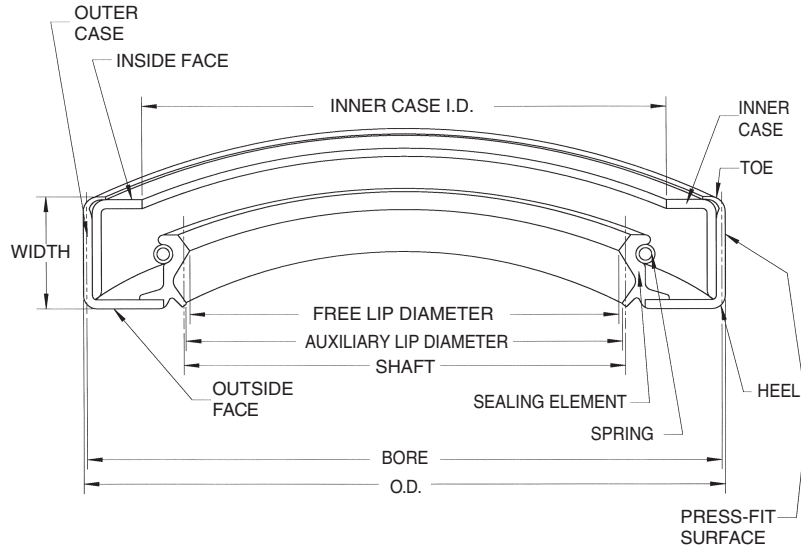
With a properly designed and fitted oil seal . . . the space between the housing and shaft is securely closed or sealed. Lubricant cannot escape . . . harmful dirt and foreign matter cannot enter.

SECTION 1-A TECHNICAL

OIL SEAL DESIGN AND SELECTION

OIL SEAL NOMENCLATURE AND COMPONENTS

The Society of Automotive Engineers (SAE) and the American Society of Testing Materials (ASTM) have developed and adapted a standard to identify component parts that make up an oil seal, as well as terminology and basic lip seal designs.



CONVERSION CHART - RPM TO FPM

Shaft Diameter is in inches

SHAFT DIAMETER







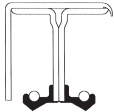
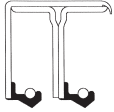


SPEED RANGE	RPM	1/2"	3/4"	1"	1-1/4"	1-1/2"	1-3/4"	2"	2-1/2"	3"	3-1/2"	4"	5"	6"	7"	8"	9"	10"	
	SLOW	100	13	20	26	33	39	46	52	65	79	92	105	131	157	183	209	236	262
300		39	59	79	98	118	137	157	196	236	275	314	393	471	550	628	707	785	
500		65	98	131	164	196	229	262	327	393	458	524	654	785	916	1047	1178	1309	
1000		131	196	262	327	393	458	524	654	785	916	1047	1309	1571	1833	2094	2356	2618	
1500		196	295	393	491	589	687	785	982	1178	1374	1571	1963	2356	2749				
2000		262	393	524	654	785	916	1047	1309	1571	1833	2094	2618						
2500		327	491	654	818	982	1145	1309	1636	1963	2291	2618							
3000		393	589	785	982	1178	1374	1571	1963	2356	2749								
3500		458	687	916	1145	1374	1604	1833	2291	2749									
4000		524	785	1047	1309	1571	1833	2094	2618										
MODERATE	4500	589	884	1178	1473	1767	2062	2356	2945										
	5000	654	982	1309	1636	1963	2291	2618											
	6000	785	1178	1571	1963	2356	2749												
	7000	916	1374	1833	2291	2749													
	8000	1047	1571	2094	2618														
	9000	1178	1767	2356	2945														
	10000	1309	1963	2618															
	12000	1571	2356																
	14000	1833	2749																
	16000	2094																	
HIGH	18000	2356																	
	20000	2618																	

This table is carried out to the limits of the recommended speeds expressed in FPM (feet-per-minute) for seals of standard construction. Sizes and speeds beyond this table require special analysis of all conditions related to the application. For intermediate shaft sizes of RPM, the standard procedure of interpolation will apply.

SECTION 1-A TECHNICAL

OIL SEAL DESIGN AND SELECTION

NATIONAL OIL SEAL DESIGN DESCRIPTION

Type Description	Representative Cross-Sections of Sealing Elements	Type Numbers	Shaft Speeds Feet Per Minute
Spring Loaded Design Single Lip		5L, 5S, 33, 35, 45, 48, 51, 54, 62, 75, 83, 91, 100	3000
Spring Loaded Design Multi-Lip		1L, 1S, 2L, 2S, 3L, 21, 25, 30, 32, 40, 41, 43, 47, 52, 56, 57, 59, 61, 66, 68, 69, 70, 71, 72, 74, 76, 78, 79, 86, 87, 88, 90, 92, 93, 94, 96, 99	3000
Spring Loaded "Convolute" Design		64, 65	3000
Springless Designs Single-Lip For Grease Retention And Slow Speed Applications		4L, 4S, 24, 29, 31, 34, 44, 201, 203, 204, 205, 230, 271, 272, 273, 277, 278, 279, 283, 290	2000 Type 4L 1000
Springless Designs Multi-Lip For Grease Retention And Slow Speed Applications		49, 97, 98, 274, 276, 280, 281, 282, 284, 285, 286, 287	2000
External Lip To Seal At Bore Slow Speed Applications		8L, 8S, 26, 36, 46, 200, 200E	750
Spring Loaded Dual Opposing Lips Separates 2 FluidS		7L, 7S	3000
Dual Spring Loaded Same Direction Inner Lip Stems Lube Surges		9L, 9S	3000
Utilized Oil Bath Seal Design H.D. Truck & Trailer Hubs		37-1,2,3,4,5,6,7,8,9,10,11,12	3000
General Purpose PTFE Design		D, F, P, W	6500

VAMAC® THE REGISTERED TRADEMARK OF E I DUPONT
AFLAS® IS A REGISTERED TRADEMARK OF 3M COMPANY

SECTION 1-A TECHNICAL

OIL SEAL DESIGN AND SELECTION

NATIONAL OIL SEAL DESIGN TYPE DESCRIPTION

Maximum Pressure PSI @ FPM	Shaft Finish (Micro Inch) μ	Shaft Hardness	STBM Maximum (Shaft to Bore Misalignment @ RPM	Maximum Shaft Dynamic Runout (DRO)
7 @ 1000 FPM 5 @ 2000 FPM 3 @ 3000 FPM	10-20	Above Rockwell C-45	.015" ECC @ 800 RPM .010" ECC @ 4200 RPM	.025" TIR @ 800 RPM .020" TIR @ 2200 RPM .015" TIR @ 4200 RPM
7 @ 1000 FPM 5 @ 2000 FPM 3 @ 3000 FPM	10-20	Above Rockwell C-45	.020" ECC @ 4200 RPM	.060" TIR @ 4200 RPM
Atmospheric	10-25	Above Rockwell C-45	.005" ECC	.005" TIR
Atmospheric	10-25	Above Rockwell C-45	.010" ECC	.010" TIR
7 @ 1000 FPM 5 @ 2000 FPM 3 @ 3000 FPM	10-20	Above Rockwell C-45	.015" ECC @ 800 RPM .010" ECC @ 4200 RPM	.025" TIR @ 800 RPM .020" TIR @ 2200 RPM .015" TIR @ 4200 RPM
2 @ 2000 FPM	100 Max.	Above Rockwell C-45	.010" ECC Max.	.015" TIR

SECTION 1-B TECHNICAL

Sealing Element Compounds

MATERIALS AND COMPOUNDS AVAILABLE FOR SEALING ELEMENTS

The environments in which a seal will operate should be determined before selecting the sealing element or lip material. Two of the most important factors in material selection are Lubricant Temperature and Type.

National Oil Seals offer a variety of sealing lip materials and compounds. The temperature limitations and fluid/lubricant compatibility for most compounds are shown within the Compound Selection Chart on the following pages.

National Seals are used in a wide range of applications. The seal is part of a system and is dependent on proper shaft and bore operation to function correctly.

Runout, lubrication, shaft-to-bore misalignment, shaft speed, temperature, and other factors vary greatly from one application to another and each may affect the seal's life. In a perfect system, these factors would be nominalized to achieve maximum life for all components. To assist our customers in getting maximum performance from their sealing system, we have provided recommendations below.

Operating a seal at one extreme condition will have a small effect on seal life. However, when a seal is operating at multiple extremes in the system, it will have a much greater impact on performance. Therefore, we ask you to use the following recommendations as a guide to achieving the maximum performance from your seal. Each material or compound has been assigned a specific letter code and is referenced in various tables and listings throughout this manual.

Compound	Code	Advantages	Disadvantages/Limitations	Range	Substitute	Code
Felt	F	Adequate seal for heavy lubricants. Primarily a wiper seal.	Poor performance at low shaft speeds. Inadequate when excessive moisture is present.	-65°F to 200°F -48°C to 93°C	Nitrile Polyacrylic Vamac® Fluoroelastomer Aflas® PTFE	S N E V A T
Leather	L	Good dry running capabilities.	Poor heat resistance. More expensive than Nitrile.	-50°F to 200°F -46°C to 93°C	Nitrile Polyacrylic Vamac® Fluoroelastomer Aflas® PTFE	S N E V A T
Urethane	U	Good lubricant and ozone resistance. Good abrasion resistance. Durable, less susceptible to damage during installation than Silicone	Undergoes substantial softening above 250°F Poor resistance to hot water or steam.	Dependent upon exact compound and usage.	None	
Nitrile	S	Low cost. Good low temp. capability. Low swell in hydrocarbon fluids.	Does not have excellent heat resistance. Poor resistance to lubricants containing sulphur or EP additives, hydrocarbons/oxygenate blends (gasoline/methanol). Poor ozone resistance.	-40°F to 225°F -40°C to 107°C	Polyacrylic Vamac® Fluoroelastomer Aflas® PTFE	N E V A T
Polyacrylate	N	Resistance to EP lubricants. Higher heat capabilities than Nitrile. Low swell in hydrocarbon fluids.	Limited low temperature capability. Poor dry running capability. Subject to attack in aqueous media. Higher cost than Nitrile	-20°F to 300°F -29°C to 149°C	Vamac® Fluoroelastomer Aflas® PTFE	E V A T
Ethylene-Acrylic (Vamac®)	E	Higher heat capabilities than Nitrile or Polyacrylic. Better low temp. performance than Polyacrylic. Good abrasion and dry running capability. Intermediate cost.	High swell in hydrocarbon fluids. Limited capabilities to follow eccentric shafts or perform in high frequency applications.	-30°F to 325°F -34°C to 163°C	Fluoroelastomer Aflas® PTFE	V A T
Silicone	H	Good dry heat resistance. Excellent low temperature capability.	Easily damaged during installation. Poor chemical resistance to certain EP additives and oxidized oil. High swell, poor dry running performance Higher cost than Nitrile.	-80°F to 350°F -62°C to 176°C	Fluoroelastomer Aflas® PTFE	V A T
Fluoro-Elastomer	V	Excellent high temperature capabilities. Compatible with wide range of fluids. Very long life.	Poor resistance to basic (high pH>7) fluids. Attack by high performance gear lubes. Expensive relative to other materials.	-40°F to 400°F -40°C to 204°C	Aflas® PTFE	A T
Tetrafluoro-Ethylene Propylene (Aflas®)	A	Better chemical resistance to all hydrocarbon fluids, acids, bases and oxidizing agents than Fluoroelastomers. Capable of performing in the complete range of hydraulic fluids. Continuous heat resistance over 400°F. Fair dry abrasion and radiation resistance.	Poor chemical resistance to hydrocarbon/oxygenate blends (gasoline/methanol). Poor low temperature capabilities. More expensive than Fluoroelastomers.	-30°F to 400°F -34°C to 204°C	PTFE	T
PTFE	T	Excellent dry running capabilities. Low coefficient of friction. Excellent chemical resistance. Resistant to hydrocarbon/oxygenate blends.	Poor abrasion resistance to dirty environments. High thermal expansion. Susceptible to damage during installation.	-100°F to 450°F -73°C to 232°C	None	

SECTION 1-B TECHNICAL

SEALING ELEMENT COMPOUNDS

Compound Selection Chart

Properties	S Nitrile	N Acrylates	E Vamac®	H Silicone	V Fluoroelastomers	A Aflas®
Durometer	60-80	70-75	70-90	80-90	75-85	75-95
Oil Resistance	Very Good	Fair	Good	Fair	Excellent	Excellent
Abrasion Resistance	Excellent	Fair	Good	Poor	Good	Good
Max. Service Temp.	225°F	300°F	325°F	350°F	400°F	400°F
Min. Service Temp.	-40°F	-20°F	-30°F	-80°F	-40°F	-30°F

Ratings: 1 = Minor effect 2 = Moderate effect 3 = Static only 4 = Not Recommended — = insufficient data

Elastomer	S	N	E	H	V	A	Elastomer	S	N	E	H	V	A
Acetaldehyde	4	4	3	2	4	4	Aroclor, 1260	1	4	4	2	1	1
Acetamide	1	4	1	2	2	1	Arsenic Acid	1	3	4	1	1	1
Acetic Acid, Glacial	3	4	4	2	3	4	Arsenic Trichloride (aq)	1	—	—	—	—	—
Acetic Acid, 30%	2	4	3	1	2	4	Askarel	2	4	4	4	1	1
Acetic Anhydrid	3	4	3	3	4	4	Asphalt	2	2	—	4	1	1
Acetone	4	4	4	3	4	4	ASTM Method D-471						
Acetophenone	4	4	4	4	4	4	1	1	1	3	1	1	1
Acetyl Chloride	4	4	4	3	1	1	2	1	2	3	1	1	1
Acetylene	1	4	4	2	1	1	3	1	3	3	1	2	2
Acrylonitrile	4	4	4	4	3	2	ASTM #4 Method D-471	2	—	—	4	1	—
Adipic Acid	1	—	2	2	—	1	ASTM Ref Fuel A						
Aero Shell 17 Grease	1	—	2	4	1	1	(MIL-2-3136B (Type 1))	1	2	2	4	1	2
Aero Shell 750	2	—	2	4	1	1	ASTM Ref Fuel B						
Aero Shell 7 A Grease	1	—	2	2	1	1	(MIL-S-3136B (Type 3))	1	—	2	4	1	2
Aero Shell IAC	1	—	—	—	1	1	ASTM Reference Fuel C	2	4	3	4	1	2
Alkazene							ATF Type (Mercon)	1	1	2	2	1	1
(Dibromoethylbenzene)	4	4	4	4	2	2	ATF Type A	1	1	2	2	1	1
Alum-NH ₃ -Cr-K(aq)	1	4	4	1	4	2	ATF Type F	1	1	2	2	1	1
Aluminum Acetate (aq)	2	4	4	4	4	3	ATF Type I	1	1	2	2	1	1
Aluminum Chloride (aq)	1	1	1	2	1	1	ATF Type II	1	1	2	2	1	1
Aluminum Floride (aq)	1	—	—	2	1	1	Automotive Brake Fluid	4	—	4	4	4	4
Aluminum Nitrate (aq)	1	—	—	2	1	1	Banana Oil (Amyl Acetate)	4	4	4	4	4	4
Aluminum Phosphate (aq)	1	—	—	1	1	1	Barium Chloride (aq)	1	1	2	1	1	1
Aluminum Sulfate (aq)	1	4	1	1	1	1	Barium Hydroxide (aq)	1	4	2	1	1	1
Ammonia Anhydrous	2	4	4	3	4	1	Barium Sulfate (aq)	1	4	2	1	1	1
Ammonia Gas (Cold)	1	4	4	1	4	1	Barium Sulfide (aq)	1	4	2	1	1	1
Ammonia Gas (Hot)	4	4	4	1	4	1	Beer	1	4	1	1	1	1
Ammonium Carbonate (aq)	4	4	4	—	—	1	Beet Sugar Liquors	1	4	2	1	1	1
Ammonium Chloride (aq)	1	—	1	—	1	1	Benzaldehyde	4	4	4	2	4	4
Ammonium Hydroxide (conc)	4	4	4	1	2	1	Benzene	4	4	4	4	1	2
Ammonium Nitrate (aq)	1	2	2	—	—	1	Benzene Sulfonic Acid	4	4	4	4	1	1
Ammonium Nitrite (aq)	1	—	—	2	—	1	Benzine (Ligroin)						
Ammonium Persulfate (aq)	4	4	—	—	—	1	(Nirtobenzine) (Pet Ether)	1	1	—	4	1	1
Ammonium Phosphate (aq)	1	—	—	1	—	1	Benzoic Acid	3	3	2	3	1	1
Ammonium Sulfate (aq)	1	4	1	—	4	1	Benzoyl Chloride	4	4	4	—	1	1
Amyl Acetate (Banana Oil)	4	4	4	4	4	4	Benzyl Alcohol	4	4	4	2	1	2
Amyl Alcohol	2	4	4	4	2	3	Benzyl Benzoate	4	4	4	—	1	1
Amyl Borate	1	—	—	—	1	1	Benzyl Chloride	4	4	4	4	1	1
Amyl Chloronaphthalene	4	4	4	4	1	2	Biphenyl (Diphenyl)						
Amyl Naphthalene	4	2	3	4	1	1	(Phenylbenzene)	4	4	4	4	1	1
Aniline	4	4	4	4	3	1	Blast Furnace Gas	4	4	4	1	1	1
Aniline Dyes	4	—	4	4	4	1	Bleach Solutions	4	4	4	2	1	1
Aniline Hydrochloride	4	4	4	3	2	2	Borax	2	2	1	2	1	1
ANILINE OILS	2	4	2	4	2	1	Bordeaux Mixture	2	4	4	2	1	1
Animal Fats	2	1	4	2	1	1	Boric Acid	1	4	1	1	1	1
Ansul Ether (Anesthetics)	1	4	1	4	4	4	Brake Fluid (Non-Petroleum)	4	—	4	4	4	4
API GL-5	3	1	4	4	1	1	Brake Fluid (Wagner 21B)	3	—	4	3	4	3
Aqua Regina	4	4	4	4	2	2	Brine	1	4	3	1	1	1
Aroclor, 1248	3	4	4	2	1	1	Bromine-Anhydrous	4	4	4	4	1	1
Aroclor, 1254	4	4	4	3	1	1	Bromine Trifluoride	4	4	4	4	4	2
							Bromine Water	4	4	4	4	1	1
							Bromobenzene	4	4	4	4	1	1
							Bunker Oil	1	1	2	2	1	1

SECTION 1-B TECHNICAL

Properties	S Nitrile	N Acrylates	E Vamac®	H Silicone	V Fluoroelastomers	A Aflas®
------------	--------------	----------------	-------------	---------------	-----------------------	-------------

Ratings: 1 = Minor effect 2 = Moderate effect 3 = Static only 4 = Not Recommended — = insufficient data

Elastomer	S	N	E	H	V	A	Elastomer	S	N	E	H	V	A
Butadiene.....	4	4	4	4	1	1	Cocanut Oil.....	1	1	1	1	1	1
Butane.....	1	2	4	1	1	1	Cod Liver Oil.....	1	2	2	1	1	1
Butter (Animal Fat).....	1	1	2	1	1	1	Coke Oven Gas.....	4	4	3	2	1	1
Butyl Acetate.....	4	4	4	4	4	4	Copper Acetate (aq).....	2	4	4	4	4	4
Butyl Acetyl Ricinoleate.....	3	—	—	—	1	—	Copper Chloride (aq).....	1	1	1	1	1	1
Butyl Acrylate.....	4	4	4	—	4	4	Copper Cyanide (aq).....	1	1	2	1	1	1
Butyl Alcohol.....	4	1	2	1	1	1	Copper Sulfate (aq).....	1	4	1	1	1	1
Butyl Amine.....	3	4	4	4	4	2	Corn Oil.....	1	1	1	1	1	1
Butyl Benzoate.....	4	4	4	—	1	1	Cottonseed Oil.....	1	1	1	1	1	1
Butyl Carbitol.....	4	4	4	4	1	4	Creosote (Coal Tar).....	1	1	4	4	1	1
Butyl Cellosolve.....	3	4	4	—	4	4	Cresol.....	4	4	4	4	1	1
Butyl Oleate.....	4	—	2	—	1	1	Cresylic Acid.....	4	4	4	4	1	1
Butyl Stearate.....	2	—	1	—	1	1	Crude Oil.....	2	—	2	4	1	1
Butylene.....	2	4	1	4	1	1	Cumene.....	4	4	4	4	1	1
Butyraldehyde.....	4	4	4	4	4	2	Cutting Oil.....	1	—	2	4	1	1
Calcium Acetate(aq).....	2	4	4	4	4	3	Cyclohexane.....	1	1	3	4	1	2
Calcium Bisulfite (aq).....	4	4	2	1	1	1	Cyclohexanol.....	3	—	1	4	1	2
Calcium Carbonate.....	1	—	1	1	1	1	Cyclohexanone.....	4	4	4	4	4	2
Calcium Chloride (aq).....	1	1	1	1	1	1	P-Cymene.....	4	4	4	4	1	1
Calcium Hydroxide (aq).....	1	4	2	1	1	1	DC44M Hi Temp Silicone						
Calcium Hypochlorite (aq).....	2	4	2	2	1	1	Grease.....	3	3	3	3	1	1
Calcium Nitrate (aq).....	1	1	1	2	1	1	Decaline.....	4	—	—	4	1	1
Calcium Phosphate.....	1	—	1	1	1	1	Decane.....	1	1	2	2	1	2
Calcium Salts.....	1	—	1	—	—	1	Delco Brake Fluid.....	4	—	4	4	4	4
Calcium Sulfide (aq).....	1	4	4	2	1	1	Denatured Alcohol.....	1	4	3	1	1	1
Cane Sugar Liquors.....	1	4	1	1	1	1	Detergent Solutions.....	1	4	1	1	1	1
Carbamate.....	3	4	4	—	1	1	Developing Fluids.....	1	—	2	1	1	1
Carbitol.....	2	4	3	2	2	4	Dextron.....	1	—	2	4	1	1
Carbolic Acid (Phenol).....	4	4	4	4	1	1	Diacetone.....	4	4	4	4	4	4
Carbon Bisulfide.....	3	3	4	4	1	1	Diacetone Alcohol.....	4	4	4	2	4	4
Carbon Dioxide.....	1	—	1	2	1	1	Dibenzyl Ether.....	4	—	4	—	4	4
Carbonic Acid.....	2	1	1	1	1	1	Dibenzyl Sebecate.....	4	4	4	3	2	2
Carbon Monoxide.....	1	—	1	1	1	1	Dibromoethylbenzene						
Carbon Tetrachloride.....	3	4	4	4	1	4	(Alkazene).....	4	4	4	4	2	2
Castor Oil.....	1	1	2	1	1	1	Dibutyl Amine.....	4	4	4	3	4	1
Cellosolve.....	4	4	4	4	3	4	Dibutyl Ether.....	4	3	4	4	3	2
Cellosolve Acetate.....	4	4	4	4	4	4	Dibutyl Phthalate.....	4	4	4	2	3	1
Cellulube (Fryquel).....	4	4	4	1	1	1	Dibutyl Sebecate.....	4	4	4	2	2	1
China Wood Oil (Tung Oil).....	1	—	2	4	1	1	O-Dichlorobenzene.....	4	4	4	4	1	1
Chlorine (Dry).....	4	4	4	4	1	1	Dichloro-Isopropyl Ether.....	4	3	4	4	3	4
Chlorine (Wet).....	4	4	4	4	1	1	Dicyclohexylamine.....	3	4	—	—	4	1
Chlorine Dioxide.....	4	4	4	—	1	1	Diesel Oil.....	1	1	1	4	1	2
Chlorine Trifluoride.....	4	4	4	4	4	4	Di-Ester Lubricant						
Chloroacetic Acid.....	4	4	4	—	4	4	(MIL-L-7808).....	2	—	4	4	1	2 or 3
Chloroacetone.....	4	4	4	4	4	4	Di-Ester Synthetic						
Chlorobenzene.....	4	4	4	4	1	1	Lubricant.....	2	—	4	4	1	2 or 3
Chlorobromomethane.....	4	4	4	4	1	1	Diethylamine.....	2	4	4	2	4	1
Chlorobutadiene.....	4	4	4	4	1	1	Diethyl Benzene.....	4	—	—	4	1	1
Chlorododecane.....	4	4	4	4	1	1	Diethyl Ether.....	4	3	4	4	4	4
Chloroform.....	4	4	4	4	1	4	Diethylene Glycol.....	1	2	1	2	1	1
O-Chloronaphthalene.....	4	4	4	4	1	1	Diethyl Sebecate.....	2	4	4	2	2	1
1-Chloro-1-Nitro Ethane.....	4	4	4	4	4	2	Diisobutylene.....	2	4	4	4	1	1
Chlorosulfonic Acid.....	4	4	4	4	4	2	Diisopropyl Benzene.....	4	—	—	—	1	1
Chlorotoluene.....	4	4	4	4	1	2	Diisopropyl Ketone.....	4	4	4	4	4	4
Chlorox (Sodium Hypochlorite NaOC1).....	2	4	4	2	1	1	Diisopropylidene Acetone						
Chrome Plating Solutions.....	4	4	4	2	1	1	(Phorone).....	4	4	4	4	4	4
Chromic Acid.....	4	4	4	3	1	1	Dimethyl Aniline (Xylidine).....	3	4	4	4	4	2
Citric Acid.....	1	—	1	1	1	1	Diethyl Ether (Methyl Ether)						
Coal Tar (Creosote).....	1	1	4	1	1	1	(Monomethyl Ether).....	1	4	4	1	1	3
Cobalt Chloride (aq).....	1	4	4	2	1	1	Dimethyl Formamide.....	2	4	3	2	4	4
							Dimethyl Phthalate.....	4	4	4	—	2	1
							Dinitrotoluene.....	4	4	4	4	4	4
							Diocetyl Phthalate.....	3	4	4	3	2	1

SECTION 1-B TECHNICAL

Properties	S Nitrile	N Acrylates	E Vamac®	H Silicone	V Fluoroelastomers	A Aflas®
Ratings:	1 = Minor effect	2 = Moderate effect	3 = Static only	4 = Not Recommended	— = insufficient data	
Elastomer	S	N	E	H	V	A
Diocetyl Sebecate	4	4	4	3	2	1
Dioxane	4	4	4	4	4	4
Dioxalane	4	4	4	4	4	4
Dipentene	2	4	4	4	1	1
Diphenyl (Biphenyl) (Phenylbenzene)	4	4	4	4	1	1
Diphenyl Oxides	4	4	4	3	1	1
Dowtherm Oil	4	4	2	3	1	1
Drink Water (See Note Re. Water)	1	—	1	1	1	1
Dry Cleaning Fluids	3	4	3	4	1	2
Elco 28-EP Lubricant	1	—	1	4	1	1
Engine Oil (Diester Motor Oil)	2	1	2	1	1	1
Engine Oil (Hydrocarbon Motor Oil)	1	1	1	1	1	1
Epichlorohydrin	4	4	4	4	4	4
EP Lubes	2	1	2	4	1	1
ESSO GX 80W90 (GL-5)	2	1	2	4	1	1
ESSO Motor Oil	1	—	1	4	1	1
ESSO Transmission Fluid (TYPE A)	1	—	2	4	1	1
ESSO XP90 EP Lubricant	1	—	2	4	1	1
Ethane	1	1	2	4	1	1
Ethanol (Ethyl Alcohol)	1	4	3	1	3	2
Ethanolamine	2	4	4	2	4	1
Ethyl Acetate	4	4	4	2	4	4
Ethyl Acetoacetate	4	4	4	2	4	4
Ethyl Acrylate	4	4	4	2	4	2
Ethyl Alcohol	1	4	3	1	3	1
Ethyl Benzene	4	4	4	4	1	2
Ethyl Benzoate	4	4	3	4	1	2
Ethyl Cellosolve	4	4	4	4	4	4
Ethyl Cellulose	2	4	3	3	4	1
Ethyl Chloride	1	4	4	4	1	1
Ethyl Chlorocarbonate	4	4	4	4	1	1
Ethyl Chloroformate	4	4	4	4	4	4
Ethyl Ether	3	4	4	4	4	4
Ethyl Formate	4	—	4	—	1	4
Ethyl Mercaptan	4	—	4	3	2	1
Ethyl Oxalate	4	4	4	4	1	1
Ethyl Pentachlorobenzene	4	4	4	4	1	1
Ethyl Silicate	1	—	—	—	1	1
Ethylene	1	—	4	—	1	1
Ethylene Chloride	4	4	4	4	2	1
Ethylene Chlorohydrin	4	4	4	2	1	2
Ethylene Diamine	1	4	4	1	4	1
Ethylene Dichloride	4	4	4	4	1	1
Ethylene Glycol	1	3	1	1	1	1
Ethylene Oxide	4	4	4	4	4	4
Ethylene Trichloride	4	4	4	4	1	1
Fatty Acids	2	—	1	3	1	1
Ferric Chloride (aq)	1	1	2	2	1	1
Ferric Nitrate (aq)	1	1	2	3	1	1
Ferric Sulfate (aq)	1	1	2	2	1	1
Fish Oil	1	—	—	1	1	1
Fluorinated Cyclic Ethers	—	—	4	—	—	4
Fluorine (Liquid)	4	4	4	4	2	2
Fluorobenzene	4	4	4	4	1	1
Fluoroboric Acid	1	—	—	—	—	1
Fluorocarbon Oils	—	—	4	—	—	3
Elastomer	S	N	E	H	V	A
Fluorolube	1	—	4	1	2	2
Fluorosilicic Acid (Hydrofluosilicic Acid)	1	—	2	4	1	1
Formaldehyde (RT)	3	4	4	2	4	3
Formic Acid	2	—	2	2	3	2
Freon 11	2	—	3	4	1	4
Freon 12	1	1	3	4	2	4
Freon 13	1	—	3	4	1	4
Freon 21	4	—	3	4	4	4
Freon 22	4	2	4	4	4	4
Freon 31	4	—	3	—	4	4
Freon 32	1	—	3	—	4	4
Freon 112	3	—	3	4	1	4
Freon 113	1	—	3	4	2	4
Freon 114	1	—	3	4	2	4
Freon 115	1	—	3	—	1	4
Freon 134A	4	4	2	4	4	4
Freon 142b	1	—	3	—	4	4
Freon 152a	1	—	3	—	4	4
Freon 218	1	—	3	—	1	4
Freon C316	1	—	3	—	—	4
Freon C318	1	—	3	—	2	4
Freon 1381	1	—	3	4	1	4
Freon 114B2	2	—	3	4	2	4
Freon 502	2	—	3	—	2	4
Freon TF	1	—	3	4	2	4
Freon T-WD602	2	—	3	4	1	4
Freon TMC	2	—	3	3	1	4
Freon T-P35	1	—	3	1	1	4
Freon TA	1	—	3	3	3	4
Freon TC	1	—	3	4	1	4
Freon MF	1	—	3	4	2	4
Freon BF	2	—	3	4	1	4
Fuel Oil	1	1	1	4	1	1
Fumaric Acid	1	4	—	2	1	1
Furan, Furfuran	4	4	4	—	—	4
Furfural	4	4	4	4	4	4
Fyrquel (Cellulube)	4	4	—	1	1	1
Gallic Acid	2	4	4	—	1	1
Gasohol (10% Ethanol. Ormethanol)	2	4	4	4	1	2
Gasoline (Lead And No-lead)	2	4	3	4	3	2
Gasoline (Lead)	2	4	2	4	1	1
Gelatin	1	4	1	1	1	1
Glauber's Salt (aq)	4	4	1	—	1	1
Glucose	1	—	1	1	1	1
Glue	1	—	1	1	1	1
Glycerine	1	3	1	1	1	1
Glycols	1	4	1	1	1	1
Grease	1	2	2	1	1	1
Green Sulfate Liquor	2	2	1	1	1	1
Gulf High Temperature Grease	1	—	1	4	1	1
Halowax Oil	4	—	—	4	1	1
N-Hexaldehyde	4	—	2	2	4	3
Hexane	1	1	1	4	1	2
N-Hexene-1	2	1	1	4	1	1
Hexyl Alcohol	1	4	1	2	1	1
High Viscosity Lubricant, H2	1	—	1	1	1	1
High Viscosity Lubricant, U4	1	—	1	1	1	1
Hydrazine	2	—	—	3	4	3
Hydraulic Oil (Petroleum)	1	1	1	3	1	1
Hydrobromic Acid	4	4	2	4	1	1

SECTION 1-B TECHNICAL

Properties	S						A						
	Nitrile		Acrylates		Vamac®		Silicone		Fluoroelastomers		Aflas®		
Ratings:	1 = Minor effect		2 = Moderate effect		3 = Static only		4 = Not Recommended		— = insufficient data				
Elastomer	S	N	E	H	V	A	Elastomer	S	N	E	H	V	A
Hydrobromic Acid 40%	4	4	4	4	1	1	Methane	1	1	1	4	2	1
Hydrochloric Acid (Cold) 37%	3	4	4	3	1	1	Methanol (Methyl Alcohol)	1	4	1	1	4	2
Hydrochloric Acid (Hot) 37%	4	4	4	4	2	1	Methyl Acetate	4	4	4	4	4	4
Hydrocyanic Acid	2	4	—	3	1	1	Methyl Acrylate	4	4	4	4	4	4
Hydrofluoric Acid (Con.) Cold	4	4	4	4	1	1	Methylacrylic Acid	4	4	4	4	4	1
Hydrofluoric Acid (Conc.) Hot	4	4	4	4	3	1	Methyl Alcohol	1	2	1	1	4	1
Hydrofluoric Acid — Anhydrous	4	4	4	4	4	1	Methyl Bromide	2	3	—	—	1	1
Hydrofluosilicic Acid (Fluosilicic Acid)	1	—	—	4	1	1	Methyl Butyl Ketone (Propyl Acetone)	4	4	4	3	4	4
Hydrogen Gas	2	1	3	1	1	1	Methyl Cellosolve	3	4	4	4	4	1
Hydrogen Peroxide (90%)	4	4	4	2	2	1	Methyl Chloride	4	4	4	4	2	1
Hydrogen Sulfide (Wet) Cold	4	4	4	3	4	1	Methyl Cyclopentane	4	4	4	4	2	1
Hydrogen Sulfide (Wet) Hot	4	4	4	3	4	1	Methylene Chloride	4	4	4	4	2	2
Hydroquinone	3	4	—	—	2	2	Methyl Ether (Dimethyl Ether) (Monomethyl Ether)	4	4	4	4	2	2
Hyjjet	4	—	4	—	4	3	Methyl Ethyl Ketone	4	4	4	4	4	4
Hyjjet III	4	—	4	—	4	3	Methyl Formate	4	—	4	—	—	—
Hyjjet S	4	—	4	—	4	3	Methyl Isobutyl Ketone	4	4	4	4	4	4
Hyjjet W	4	—	4	—	4	3	Methyl Methacrylate	4	4	4	4	4	3
Hypochlorous Acid	4	4	4	—	1	1	Methyl Oleate	4	—	—	—	2	1
Iodine Pentafluoride	4	4	4	4	4	—	Methyl Salicylate	4	—	—	—	—	1
Iodoform	—	—	—	—	—	—	Milk	1	4	1	1	1	1
Isobutyl Alcohol	2	4	1	1	1	1	Mineral Oil	1	1	1	2	1	1
Isocetane	1	1	1	4	1	2	Monochlorobenzene	4	4	4	4	1	2
Isophorone	4	4	4	4	4	4	Monomethyl Aniline	4	4	4	—	2	1
Isopropyl Acetate	4	4	4	4	4	4	Monoethanol Amine	4	4	4	2	4	4
Isopropyl Alcohol	2	4	1	1	1	1	Monomethyl Ether (Methyl Ether) (Dimethyl Ether)	1	4	1	1	1	3
Isopropyl Chloride	4	4	4	4	1	1	Monovinyl Acetylene	1	—	—	2	1	1
Isopropyl Ether	2	3	4	4	4	4	Mustard Gas	—	—	—	1	—	1
Kerosene	1	1	3	4	1	1	MIL-L-644 B	1	2	2	3	—	—
Lacquers	4	4	4	4	4	3	MIL-L-2104 B	1	1	1	3	1	1
Lacquer Solvents	4	4	4	4	4	4	MIL-L-2105 B	1	1	1	3	1	1
Lactic Acid (Cold)	1	4	3	1	1	1	MIL-G-2108	1	1	1	3	1	1
Lactic Acid (Hot)	4	4	3	2	1	1	MIL-S-3136 B Type 1	1	2	2	4	1	2
Lard	1	1	1	2	1	1	MIL-S-3136 B Type II	1	—	—	4	1	2
Lavender Oil	2	2	2	4	1	1	MIL-S-3136 B Type III	1	—	4	4	1	2
Lead Acetate (aq)	2	4	4	4	4	4	MIL-S-3136 B Type IV	1	1	1	3	1	2
Lead Nitrate (aq)	1	—	4	2	—	1	MIL-S-3136 B Type V	1	1	1	3	1	2
Lead Sulfamate (aq)	2	4	4	2	1	1	MIL-S-3136 B Type VI	1	1	1	3	1	2
Legroin (Benzene) (Nitrobenzene) (Pet Ether)	1	1	4	4	1	2	MIL-S-3136 B Type VII	1	—	—	4	1	2
Lime Bleach	1	4	4	2	1	1	MIL-L-3150 A	1	1	1	3	1	2
Lime Sulfur	4	4	4	1	1	1	MIL-L-3503	1	1	1	3	1	2
Lindol (Hydraulic Fluid)	4	4	4	3	2	1	MIL-L-3545 B	2	2	2	4	1	2
Linoleic Acid	2	—	3	2	2	1	MIL-C-4339 C	1	1	1	3	1	2
Linseed Oil	1	1	1	1	1	1	MIL-G-4343 B	2	1	—	4	1	1
Liquified Petroleum Gas	1	3	1	3	1	1	MIL-L-5020 A	1	2	2	4	1	2
Lubricating Oils (Petroleum)	1	1	1	4	1	1	MIL-J-5161 F	1	—	2	4	1	2
Lye	2	4	4	2	2	1	MIL-C-5545 A	2	2	—	4	1	2
Magnesium Chloride (aq)	1	—	1	1	1	1	MIL-H-5559 A	1	3	2	2	2	1
Magnesium Hydroxide (aq)	2	4	1	—	1	1	MIL-F-5566	1	—	2	1	1	1
Magnesium Sulfate (aq)	1	4	1	1	1	1	MIL-F-5602	1	1	3	3	1	2
Maleic Acid	4	4	1	—	1	1	MIL-H-5606 B (Red Oil)	1	1	2	4	1	—
Maleic Anhydride	4	4	—	—	4	1	MIL-J-5624 G JP-3, JP-4, JP-5	1	2	3	4	1	2
Malic Acid	1	4	3	2	1	1	MIL-O-6081 C	1	1	2	3	1	2
Mek ((M)ethyl Ethyl Ketone)	4	4	4	4	4	4	MIL-L-6082 C	1	1	2	3	1	2
Mercury Chloride (aq)	1	—	—	—	1	1	MIL-H-6083 C	1	1	2	3	1	2
Mercury	1	—	1	—	1	1	MIL-L-6085 A	1	3	4	3	1	2
Mesityl Oxide	4	4	—	4	4	—	MIL-L-6086 B	1	1	2	3	1	2
							MIL-L-6387 A	1	—	—	3	1	2
							MIL-C-6529 C	2	2	3	4	1	2
							MIL-F-7024 A	1	2	3	4	1	2
							MIL-H-7083 A	1	3	2	2	2	1

TECHNICAL SECTION

SECTION 1-B TECHNICAL

Properties	S Nitrile	N Acrylates	E Vamac®	H Silicone	V Fluoroelastomers	A Aflas®
Ratings:	1 = Minor effect	2 = Moderate effect	3 = Static only	4 = Not Recommended	— = insufficient data	
Elastomer	S	N	E	H	V	A
MIL-G-7118 A	1	3	4	3	1	2
MIL-G-7187	1	1	2	3	1	2
MIL-G-7421 A	1	—	—	3	1	2
MIL-H-7644	2	2	3	4	1	1
MIL-L-7645	2	2	3	4	1	2
MIL-G-7711 A	1	1	2	3	1	2
MIL-L-7808 F	1	3	4	3	1	2
MIL-L-7870 A	1	1	2	3	1	3
MIL-C-8188 C	1	3	3	3	1	3
MIL-A-8243 B	1	3	2	2	2	1
MIL-L-8383 B	1	1	2	3	1	2
MIL-H-8446 B (MLO-8515)	2	3	4	4	1	2
MIL-1-8660 B	1	—	—	4	1	1
MIL-L-9000 F	1	2	3	4	1	2
MIL-T-9188 B	4	4	4	4	4	2
MIL-L-9236 B	1	3	3	4	1	3
MIL-L-10295 A	1	1	2	3	1	2
MIL-L-10324 A	1	1	2	3	1	2
MIL-G-10924 B	1	1	1	3	1	2
MIL-L-11734 B	1	3	2	3	1	2
MIL-O-11773	1	3	3	3	1	2
MIL-P-12098	2	2	2	4	1	1
MIL-H-13862	1	1	1	3	1	2
MIL-H-13866 A	1	1	1	3	1	2
MIL-H-13910 B	2	2	2	4	1	1
MIL-H-13919 A	1	1	1	3	1	2
MIL-L-14107 B	3	—	1	4	1	2
MIL-L-15017	1	1	1	3	1	2
MIL-L-15018 B	1	1	1	3	1	2
MIL-L-15019 C	1	1	1	3	1	2
MIL-L-15719 A	2	2	2	4	1	1
MIL-G-15793	1	3	3	3	1	2
MIL-F-16929 A	1	3	4	3	1	2
MIL-L-16958 A	1	1	1	3	1	2
MIL-F-17111	1	1	1	3	1	2
MIL-L-17331 D	1	1	1	3	1	2
MIL-L-17353 A	1	—	—	3	1	2
MIL-L-17672 B	1	1	1	3	1	2
MIL-L-18486 A	1	1	1	3	1	2
MIL-G-18709A	1	1	1	3	1	2
MIL-H-19457 B	4	4	4	4	4	3
MIL-F-19605	1	—	—	4	1	2
MIL-L-19701	1	3	3	3	1	2
MIL-L-21260	1	1	1	3	1	2
MIL-S-21568 A	1	1	1	4	1	1
MIL-H-22072	1	3	2	2	2	2
MIL-L-22396	1	1	1	3	1	2
MIL-L-23699 A	1	3	2	3	1	2
MIL-G-23827 A	1	3	2	3	1	2
MIL-G-25013	1	2	2	4	1	2
MIL-F-25172	1	—	—	4	1	2
MIL-L-25336 B	1	3	3	3	1	2
MIL-F-25524 A	1	—	1	4	1	2
MIL-G-25537 A	1	1	1	3	1	2
MIL-F-25558 B (RJ-1)	1	1	1	3	1	1
MIL-F-25576 C(RP-1)	1	1	1	4	1	1
MIL-H-25598	1	1	1	3	1	2
MIL-F-25656 B	1	—	—	4	1	1
MIL-L-25681 C	1	2	2	4	1	1
MIL-G-25760 A	1	3	3	4	1	2
MIL-G-25968	1	3	3	3	1	2
MIL-L-26087 A	1	1	2	3	1	2
MIL-G-27343	1	—	—	4	1	1
MIL-H-27601 A	2	2	2	4	1	2
MIL-G-27617	4	—	—	4	1	1
Elastomer	S	N	E	H	V	A
MIL-I-27686 D	1	3	2	2	2	2
MIL-L-27694 A	1	—	—	4	1	1
MIL-L-46000 A	1	3	3	3	1	2
MIL-H-46001 A	1	1	1	3	1	2
MIL-L-46002	1	—	—	3	1	2
MIL-H-46004	1	1	1	3	1	2
MIL-P-46046 A	2	2	2	4	1	1
MIL-H-81019 B	1	1	1	3	1	2
MIL-S-81087	1	—	—	4	1	1
Naphtha	2	2	4	4	1	1
Naphthalene	4	—	4	4	1	1
Naphthalenic Acid	2	—	—	4	1	1
Natural Gas	1	2	4	1	1	1
Neats Foot Oil	1	1	4	2	1	1
Neville Acid	4	4	4	4	1	1
Nickel Acetate (aq)	2	4	4	4	4	4
Nickel Chloride (aq)	1	3	4	1	1	1
Nickel Sulfate (aq)	1	4	4	1	1	1
Niter Cake	1	4	4	1	1	1
Nitric Acid (Con.)	4	4	4	4	3	2
Nitric Acid (Dilute)	4	4	4	2	1	2
Nitric Acid — Red Fuming	4	4	4	4	4	2
Nitrobenzene	4	4	4	4	2	1
Nitrobenzene (Petroleum Ether)	1	1	4	4	1	1
Nitroethane	4	4	4	4	4	1
Nitrogen	1	1	1	1	1	1
Nitrogen Tetroxide	4	4	4	4	4	1
Nitromethane	4	4	4	4	4	1
O-A-548 a	1	3	2	2	2	—
O-T-634 b	3	4	4	4	1	—
Octachlorotoluene	4	4	4	4	1	2
Octadecane	1	2	2	4	1	1
N-octane	2	4	1	4	1	1
Octyl Alcohol	2	4	1	2	1	1
Oleic Acid	3	4	3	4	2	1
Oleum Spirits	2	—	4	4	1	2
Olive Oil	1	1	1	3	1	1
O-Dichlorobenzene	4	4	2	4	1	1
Oxalic Acid	2	—	1	2	1	1
Oxygen — Cold	2	2	4	1	1	1
Oxygen — (200-400°F)	4	4	4	2	2	1
Ozone	4	2	1	1	1	1
Paint Thinner, Duco	4	4	4	4	2	2
Palmitic Acid	1	2	—	4	1	1
Peanut Oil	1	1	1	1	1	1
Perchloric Acid	4	4	4	4	1	1
Perchloroethylene	2	4	4	4	1	1
Petroleum — Below 250°F	1	2	2	2	1	1
Petroleum — Above 250°F	4	4	2	4	2	1
Phenol (Carbolic Acid)	4	4	4	4	1	1
Phenylbenzene (Diphenyl)	4	4	4	4	1	1
(Diphenyl)	4	4	4	4	1	1
Phenyl Ethyl Ether	4	4	4	4	4	3
Phenyl Hydrazine	4	4	4	—	1	1
Phorone (Diisopropylidene Acetone)	4	4	4	4	4	4
Phosphoric Acid — 20%	2	—	2	2	1	1
Phosphoric Acid — 45%	4	—	2	3	1	1
Phosphorus Trichloride	4	—	—	—	1	1

SECTION 1-B TECHNICAL

Properties	S Nitrile	N Acrylates	E Vamac®	H Silicone	V Fluoroelastomers	A Aflas®
Ratings:	1 = Minor effect	2 = Moderate effect	3 = Static only	4 = Not Recommended	— = insufficient data	
Elastomer	S	N	E	H	V	A
Pickling Solution	4	4	4	2	1	
Picric Acid	—	4	4	1	1	
Pinene	2	4	4	4	1	1
Pine Oil	4	—	2	3	1	1
Piperidine	4	4	4	4	4	—
Plating Solution — Chrome	—	—	—	4	1	1
Plating Solution — Others	—	—	—	4	1	1
Polyvinyl Acetate Emulsion	—	—	1	—	—	—
Potassium Acetate (aq)	2	4	4	4	4	4
Potassium Chloride (aq)	1	1	1	1	1	1
Potassium Cupro Cyanide (aq)	1	1	1	1	1	1
Potassium Cyanide (aq)	1	1	1	1	1	1
Potassium Dichromate (aq)	1	2	1	1	1	1
Potassium Hydroxide (aq)	2	4	4	3	4	1
Potassium Nitrate (aq)	1	1	1	1	1	1
Potassium Sulfate (aq)	1	4	—	1	1	1
Producer Gas	1	2	1	2	1	1
Propane	1	1	1	4	1	1
i-Propyl Acetate	4	4	4	4	4	4
n-Propyl Acetate	4	4	4	4	4	4
Propyl Acetone (Methyl Butyl Ketone)	4	4	4	3	4	4
Propyl Alcohol	1	4	1	1	1	1
Propyl Nitrate	4	4	4	4	4	1
Propylene	4	4	4	4	1	1
Propylene Oxide	4	4	4	4	4	4
Pydraul, 10E, 29 ELT	4	4	4	4	1	1
Pydraul, 30E, 50E, 65E, 90E	4	4	4	1	1	1
Pydraul, 115E	4	4	4	4	1	1
Pydraul, 230E, 312C, 540C	4	4	4	4	1	1
Pyranolo, Transformer Oil	1	1	4	4	1	1
Pyridine	4	4	4	4	4	1
Pyroligneous Acid	4	4	4	—	4	—
Pyrrole	4	4	4	2	4	3
P-S-661 b	1	—	—	4	1	—
P-D-680	1	—	—	4	1	—
Radiation	3	3	1	3	4	1
Rapeseed Oil	2	2	2	4	1	1
Red Oil (MIL-H-5606)	1	1	2	4	1	1
RJ-1 (MIL-F-25558 B)	1	1	2	4	1	1
RP-1 (MIL-F-25576 C)	1	1	2	4	1	1
SAE 30	1	1	1	1	1	1
SEA 90	1	1	1	4	1	1
SAE 90 EP(GL-5)	2	1	2	4	1	1
Sal Ammoniac	1	1	1	2	1	1
Salicylic Acid	2	—	1	—	1	1
Salt Water	1	4	1	1	1	1
Sewage	1	4	1	1	1	1
Shell Alvania Grease #2	1	—	1	2	1	1
Silicate Esters	2	—	4	4	1	1
Silicone Greases	1	1	1	3	1	1
Silicone Oils	1	1	1	3	1	1
Silver Nitrate	2	1	1	1	1	1
Skydrol 500	4	4	4	3	4	2
Skydrol 7000	4	4	4	3	2	2
Soap Solutions	1	4	1	1	1	1
Soda As	1	—	1	1	1	1
Sodium Acetate (aq)	2	4	4	4	4	4
Sodium Bicarbonate (aq) (Baking Soda)	1	—	1	1	1	1
Sodium Bisulfite (aq)	1	4	1	1	1	1
Sodium Borate (aq)	1	—	1	1	1	1
Sodium Chloride (aq)	1	—	1	1	1	1
Sodium Cyanide (aq)	1	—	1	1	1	1
Sodium Hydroxide (aq)	2	3	1	2	2	1
Sodium Hypochlorite (aq) (Chlorox)	2	4	2	2	1	1
Sodium Metaphosphate (aq)	1	—	—	—	1	1
Sodium Nitrate (aq)	1	—	—	4	—	1
Sodium Perborate (aq)	2	—	2	2	1	1
Sodium Peroxide (aq)	2	4	3	4	1	1
Sodium Phosphate (aq)	1	1	2	4	1	1
Sodium Silicate (aq)	1	—	1	—	1	1
Sodium Sulfate (aq)	1	4	2	1	1	1
Sodium Thiosulfate (aq)	2	4	2	1	1	1
Soybean Oil	1	1	2	1	1	1
Stannic Chloride (aq)	1	—	2	2	1	1
Stannous Chloride (aq)	1	—	2	2	1	1
Steam Under 300°F	4	4	1	3	4	1
Steam Over 300°F	4	4	1	4	4	1
Stearic Acid	2	—	4	2	—	1
Stoddard Solvent	1	1	3	4	1	1
Styrene	4	4	4	4	2	2
Sucrose Solution	1	4	1	1	1	1
Sulfite Liquors	2	4	4	4	1	1
Sulfur	4	4	2	3	1	1
Sulfur Chloride (aq)	3	4	2	3	1	1
Sulfur Dioxide (Dry)	4	4	2	2	1	1
Sulfur Dioxide (Wet)	4	4	2	2	1	1
Sulfur Dioxide (Liquified) Under Pressure)	4	4	2	2	1	1
Sulfur Hexafluoride	2	4	4	2	1	1
Sulfur Trioxide	4	4	4	2	1	1
Sulfuric Acid (Dilute)	3	2	4	4	1	1
Sulfuric Acid (Conc.)	4	4	4	4	1	1
Sulfuric Acid (20% Oleum)	4	4	4	4	1	1
Sulfurous Acid	2	4	4	4	1	1
Sunoco All Purpose Grease	1	—	1	4	1	1
Sunoco SAE 10	1	—	2	4	1	1
Tannic Acid	1	4	2	2	1	1
Tar, Bituminous	2	4	4	2	1	1
Tartaric Acid	1	—	2	1	1	1
Terpineol	2	—	—	—	1	1
Tertiary Butyl Alcohol	2	4	3	2	1	1
Tertiary Butyl Catechol	4	4	4	—	1	—
Tertiary Butyl Mercaptan	4	4	4	4	1	1
Tetrabromoethane	4	4	4	4	1	1
Tetrabromomethane	4	—	4	4	1	1
Tetrabutyl Titanate	2	—	—	—	1	1
Tetrochloroethylene	4	4	4	4	1	1
Tetraethyl Lead	2	—	3	—	1	1
Tetrahydrofuran	4	4	4	4	4	4
Tetralin	4	—	—	4	1	1
Thionyl Chloride	4	4	4	—	2	1
Titanium Tetrachloride	2	4	4	4	1	1
Toluene	4	4	4	4	1	4
Toluene Diisocyanate	4	4	4	4	4	4
Transformer Oil	1	2	1	2	1	1
Transmission Fluid Type A	1	1	1	2	1	1
Triacetin	2	4	4	—	4	2
Triaryl Phosphate	4	4	4	3	1	1
Tributoxy Ethyl Phosphate	4	4	4	—	1	1
Tributyl Mercaptan	4	4	4	4	1	1
Tributyl Phosphate	4	4	4	4	4	1

TECHNICAL SECTION

SECTION 1-B TECHNICAL

Properties	S Nitrile	N Acrylates	E Vamac®	H Silicone	V Fluoroelastomers	A Aflas®
Ratings:	1 = Minor effect	2 = Moderate effect	3 = Static only	4 = Not Recommended	— = insufficient data	
Elastomer	S	N	E	H	V	A
Trichloroacetic Acid	2	4	4	—	3	2
Trichloroethane	4	4	4	4	1	1
Trichloroethylene	4	4	4	4	1	4
Tricresyl Phosphate	4	4	2	3	1	1
Triethanol Amine	2	4	1	—	4	1
Triethyl Aluminum	4	4	4	—	2	1
Triethyl Borane	4	4	4	—	1	1
Trinitrotoluene	4	4	4	—	2	2
Trioctyl Phosphate	4	4	2	3	2	1
Tung Oil (China Wood Oil)	1	—	2	4	1	1
Turbine Oil	2	1	2	4	1	1
Turbo Oil #35	1	—	2	4	1	1
Turpentine	1	2	4	4	1	1
Type I Fuel (MIL-S-3136)	1	—	1	4	1	1
Type II Fuel (MIL-L-3136)	2	—	2	4	1	1
Type III Fuel (MIL-L-3136)	2	—	4	4	1	1
TT-N 95 a	1	—	—	4	1	2
TT-N-97 B	1	3	3	4	1	2
TT-I-735 b	1	—	—	1	1	1
TT-S-735 Type I	1	2	2	4	1	2
TT-S-735 Type II	1	—	—	4	1	2
TT-S-735 Type III	1	—	—	4	1	2
TT-S-735 Type IV	1	1	2	3	1	2
TT-S-735 Type V	1	1	1	3	1	2
TT-S-735 Type VI	1	1	1	3	1	2
TT-S-735 Type VII	1	—	—	4	1	2
TT-T656b	4	4	4	4	4	3
Unsymmetrical Dimethyl Hydrazine (UDMH)	2	—	—	4	4	—
Elastomer	S	N	E	H	V	A
Varnish	2	4	1	4	1	1
Vegetable Oils	1	1	1	2	1	1
Versilube F-50	1	1	2	3	1	1
Vinegar	2	4	2	1	1	2
Vinyl Chloride	4	4	4	—	1	1
VV-B-680	2	2	2	4	1	1
VV-G-632	1	1	2	3	1	2
VV-G-671c	1	1	2	3	1	2
VV-H-910	2	2	2	4	1	1
VV-I-530a	1	1	2	3	1	2
VV-K-211d	1	—	—	4	1	2
VV-K-220a	1	2	2	4	1	2
VV-L-751b	2	2	2	4	1	2
VV-L-800	1	1	1	3	1	2
VV-L-820b	1	1	1	3	1	2
VV-L-825a Type I	1	1	1	3	1	2
VV-L-825a Type II	1	1	1	3	1	2
VV-L-825a Type III	2	2	3	4	1	2
VV-O-526	1	1	2	3	1	2
VV-P-216a	1	1	2	3	1	2
VV-P-236	2	2	3	4	1	2
Wagner 21 Brake Fluid	3	—	4	3	4	1
Water	1	4	1	1	1	1
Whiskey, Wines	1	4	1	1	1	1
White Pine Oil	2	—	—	4	1	1
White Oil	1	1	1	4	1	1
Wood Oil	1	1	1	4	1	1
Xylene	4	4	4	4	1	3
Xylidine (Di-methyl Aniline)	3	4	4	4	4	2
51-F-23	1	1	1	3	1	1

SECTION 1-C TECHNICAL

Sealing System Preparation And Seal Installation

STORAGE AND HANDLING OF OIL SEALS

Introduction

Careful storage and handling of radial lip type seals is necessary to avoid hazards prior to installation which would adversely affect service life.

General Storage

Radial lip type seals are very robust long lived components. However, as with any precision components they should be stored with care as the service life of bearings and/or other costly machined parts may depend upon how well the seal performs. Hazards which may be encountered include: temperature, ozone, humidity, radioactive materials, fumes, dust, grit and mechanical damage.

The storage area should be cool (60° to 90°F) and with average (40 to 70%) humidity. Seals should be stored on a first in - first out basis, since even under ideal conditions, an unusually long shelf life may cause deterioration of element materials. Excessive heat and/or exposure to ozone can cause premature aging of some types of sealing elements thus reducing service life. Avoid storage near sources of heat. To prevent ozone aging, keep away from direct or reflected sunlight and electrical equipment that may generate ozone. Excessive humidity will deteriorate some seal element materials as well as cause corrosive damage to metal cases and springs.

Oil seals should be stored in a place other than a work area to avoid possible mechanical damage by equipment or falling objects. A closed container will provide protection from mechanical damage, as well as dust, grit and other contaminants.

Mechanical Damage

Many oil seal failures can be traced to improper handling or storage of the seal. To avoid damage:

- Keep in the box in which they were originally packed. Never store seals unprotected in open bins.
- Never hang seals on a hook.
- Never tag seals.
- Keep seals clean.
- Avoid dropping seals. This may dislodge the spring, distort or contaminate the seal.
- Never use old or damaged seals.

Lip Compound Age Resistance (Shelf Life)

Resistance to deterioration in storage varies between elastomers. Proper storage under conditions which minimize aging effect is extremely important. The chart below presumes proper storage conditions and reflects general usage applications.

Type of Lip Material	Shelf Life
Urethane	3 to 5 years
Nitrile	5 to 10 years
AFLAS®, Fluoroelastomer, Silicone,	Up to 20 years
Polyacrylate, VAMAC®	Up to 20 years
Felt, Leather, PTFE	Indefinite

SECTION 1-C TECHNICAL

Sealing System Preparation And Seal Installation

SHAFT REQUIREMENTS

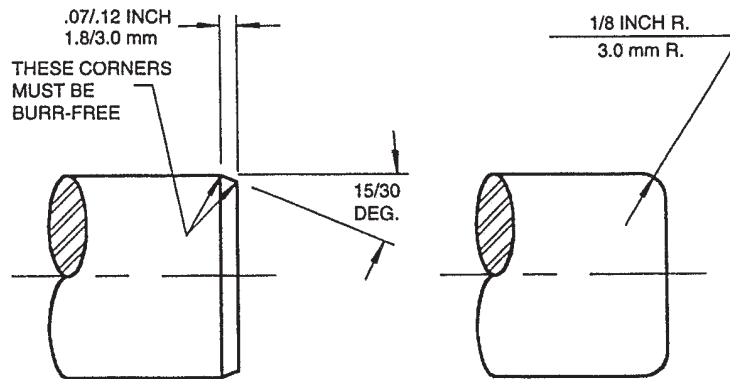
Proper engineering of the components of the assembly is necessary for seal reliability. Shaft requirements have been determined by the Rubber Manufacturer's Association, through thousands of hours of testing. The following items should be considered at the original equipment design stage or whenever an existing application is to be upgraded.

- Shaft Finish — Shaft finish, a prime factor in proper functioning of a lip seal, should be specified as 10-25 microinches Ra (0.20-0.60 micrometers Ra) with no machine lead.
- Shaft Lead — Maximum permissible lead angle is $0 \pm 0.05^\circ$. The most acceptable method for obtaining this surface characteristic is plunge grinding.
- Shaft Diameter — Shaft diameter tolerances are shown below. Tolerances greater than those shown should be used only if agreed upon between user and supplier.

Shaft Diameter (inches)	Tolerances	Shaft Diameter (mm)	Tolerances
To and including 4.000	$\pm .003$	To and including 100	± 0.08
4.001 through 6.000	$\pm .004$	100.01 through 150	± 0.10
6.001 through 10.000	$\pm .005$	150.01 through 250	± 0.13
10.001 and larger	$\pm .006$	250.01 and larger	± 0.15

Shaft Hardness — Radial lip type seals will function satisfactorily on mild steel, cast iron or malleable iron shafts. Under normal conditions, however, the section of the shaft contacted by the sealing lip should be hardened to Rockwell C30 minimum. If, however, the shaft may be nicked or damaged during handling or assembly, a Rockwell C45 minimum is recommended.

Shaft Chamfer — To aid installation and help prevent damage to the seal lip, the leading edge of the shaft should have a chamfer or radius which must be smooth and free of nicks or rough spots.



Shaft-to-Bore Misalignment (STBM)

— The distance the center of rotation is displaced from the center of the bore. It usually exists to some degree due to normal machining and assembly tolerances. Misalignment results in uneven wear and, if excessive, will shorten seal life. To measure, attach a dial indicator to the shaft and indicate off the seal bore while rotating the shaft. For specific limitations see the National Oil Seal Design Type and Description charts on page 6 & 7.

Dynamic Runout — Twice the distance the center of the shaft is displaced from the center of rotation. It can result from a bent shaft, lack of shaft balance or other manufacturing variables. To measure, find the total movement of an indicator held against the seal area of the slowly rotating shaft. For specific limitations see the National Oil Seal Design Type and Description charts on page 6 & 7.

Shaft Material — Steel, stainless steel and certain cast irons all provide good sealing surfaces if finished properly. Brass or bronze shafts are not recommended nor are alloys of aluminum, zinc, magnesium and other similar elements. If plating is considered, it should be hard nonporous chrome plate. Flaking or plating exposes razor edges which may cut the seal lip.

SECTION 1-C TECHNICAL

Sealing System Preparation And Seal Installation

BORE REQUIREMENTS

Maintaining proper bore characteristics is important if the integrity of the sealing system is to remain intact. To provide proper fit of National Oil Seals, the dimensions relative to Bore Tolerance and seal Press Fit should be followed.

Bore Tolerances and Seal Press Fit

The Table below indicates recommended Bore Tolerances and seal Press Fit for both Metal and Rubber O.D. seals.

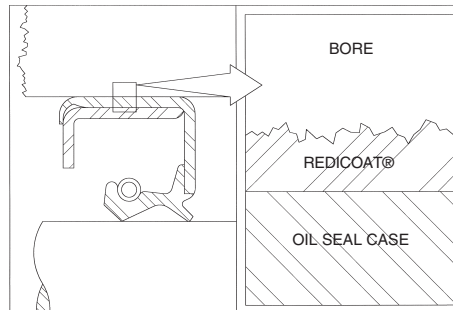
Bore Diameter	Bore Tolerance	Nominal Press Fit Metal O.D.	Metal O.D. Tolerance	Nominal Press Fit Rubber O.D.	Rubber O.D. Tolerance
Up to 2.000	± 0.001	0.005	± 0.002	0.008	± 0.003
2.000 to 3.000	± 0.001	0.005	+0.003 / -0.002	0.010	± 0.003
3.001 to 4.000	± 0.0015	0.006	± 0.003	0.011	± 0.003
4.001 to 5.000	± 0.0015	0.006	± 0.003	0.011	± 0.003
5.001 to 7.000	± 0.0015	0.007	± 0.003	0.012	± 0.004
7.001 to 12.000	± 0.002	0.008	+0.004 / -0.003	0.013	± 0.004
12.001 to 20.000	± 0.003	0.012	± 0.005	0.015	± 0.005
20.001 to 40.000	± 0.004	0.013	± 0.005	0.018	± 0.006
40.001 to 60.000	± 0.006	0.016	± 0.006	0.020	± 0.007

Bore Material

Ferrous materials are commonly used for bore housings. The table above applies to these types of materials. However, if other materials are used (i.e., aluminum or composites) higher rates of thermal expansion are usually involved and should be considered.

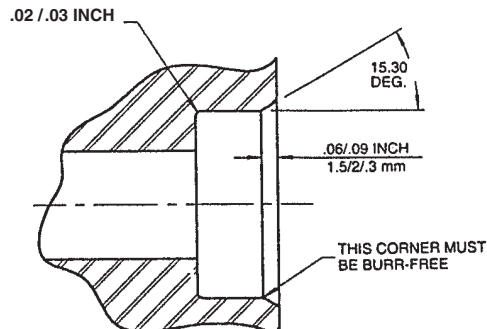
Bore Finish

A finish of 125 microinches Ra (3.2 micrometers Ra) or smoother should be maintained to assure a leak free environment. If the bore is rougher than 125 microinches Ra (3.2 micrometers Ra) National Oil Seal offers an environmentally friendly waterbase resinous coating on all of the O.D.'s of the metal cases. This coating process or material is termed Redicoat .



Bore Configuration

The lead corner of the seal bore should be chamfered for ease of seal installation. Rough corners or burrs can scratch the seals outside diameter and cause potential leak paths.



REDICOAT IS A REGISTERED TRADEMARK OF FEDERAL-MOGUL CORP.

SECTION 1-C TECHNICAL

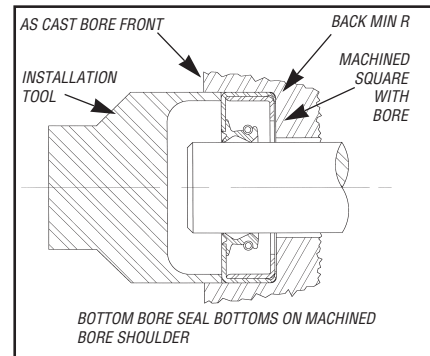
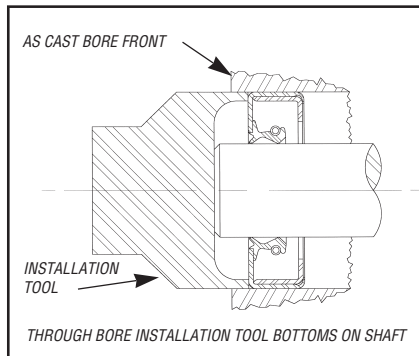
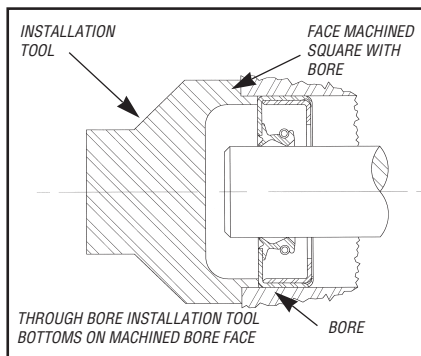
Sealing System Preparation And Seal Installation

INSTALLATION OF SEALS, PROCEDURES, GUIDELINES AND TOOLS

Oil Seal Installation Procedure

- 1) Inspect the bore. Insure that it is clean and free of burrs that might distort the seal or cut the O.D., that may cause leakage. Check for roundness and make sure the leading edge is either rounded or chamfered.
- 2) Inspect the shaft. Look for machining lead, burrs, dirt and paint that might damage the seal or provide a leak path. If the old seal has worn a groove into the shaft, it needs to be repaired. In many cases, National Redi-Sleeves will enable you to quickly and inexpensively repair this condition. For more information, regarding National Redi-Sleeves see page 23 & 24.
- 3) Inspect the Shaft End. Remove all burrs and sharp edges. The shaft should be chamfered or radiused to assure the seal is not damaged during installation. If this is not possible, then an installation sleeve should be used.
- 4) Inspect Splines and Keyways. If the shaft has splines or keyways, cover with a sleeve, shim stock or tape to protect the seal lip.
- 5) Inspect the Seal. Check the seal for any damage (nicks, cuts, scratches or distortion of the sealing lip) that may have been caused during shipping. A damaged seal should be replaced.
- 6) Assure Proper Seal Direction. The sealing lip usually faces toward the medium to be sealed.
- 7) Pre-lube the Seal. Prior to installation, the sealing lip should be pre-lubed with the lubricant to be sealed. It is not necessary for the O.D. of metal parts to be lubed, however, a light film of oil should be applied to the O.D. of rubber coated seals to aid in the installation process and reduce sheer stress during installation. This pre-lube should reduce or eliminate the possibility of a rubber O.D. seal from backing out of the bore immediately after installation.
- 8) Installation Tools. Select an installation tool (see Fig below). For easy, accurate installation of National's popular standard style oil and grease seals use the RD-2000 which can easily install seals up to 3.375" (85.7 mm) O.D. The best tool will have a diameter slightly smaller than that of the housing bore and will apply force only on the seal case. Bearing races may be used as an installation tool adapter when "approved tools are not available.
- 9) Never Hammer Directly On the Seal. Screwdrivers, drift pins or punches should not be used as installation tools. Steel hammers are not recommended for use with approved installation tools; the shock of steel on steel can dis-lodge the garter spring. After the seal has engaged the bore, the seal should be driven in evenly with only enough force to seat it in the bore.

Recommended Installation Tools



SECTION 1-D TECHNICAL

GENERAL INFORMATION

OIL SEAL DISTRESS ANALYSIS, TROUBLE SHOOTING CHECKLIST

The following chart is intended to assist in the evaluation of oil seal distress. It is not intended to be complete and should not be interpreted as inclusive of all distress causes. Questions or requests for additional information relative to oil seal distress should be directed to your Timken Representative.

Symptom	Probable Cause of Leak	Symptom	Probable Cause of Leak
Sealing Lip Surface Hardened	Can be caused by excessive operating temperatures, by inadequate lubrication or by incompatibility with sealed fluid.	Seal Garter Spring Damaged	May be caused by careless handling or use of improper installation tools or methods. Excessive spreading of the sealing lip during installation can damage the spring.
Sealing Lip Brittle or Cracked	Operating temperatures of lubricant may exceed recommended limits for the type of sealing member material. Make sure seal is proper size. Too tight a fit on shaft will cause overheating. Check adequacy of lubricant for the type seal used.	Inner Parts of Seal Assembly Loose	Improper installation tools used. Check out-of-round limits of housing bore and make sure seal O.D. is not too large for bore. Either condition can cause seal distortion which, although not readily apparent, may be enough to loosen the inner parts of the seal and cause leakage.
Sealing Lip Shows Excessive Wear (around entire circumference)	Shaft finish may be too rough at point of lip contact. Seal not properly prelubricated before installation. Check adequacy of lubrication for the type seal used. Make sure seal is proper size. Too tight a fit on the shaft can cause overheating and rapid wear. Shaft run-out or shaft whip may exceed recommended limits. See that the seal seats close to the bearing and check for excessive looseness in bearing or splines.	Seal Cocked In Housing	Usually due to improper tools or installation methods. Make sure seal O.D. is not too large for bore. Check bore for burrs, scale or chips that prevent the seal from properly seating.
Sealing Lip Worn On One Side	Usually due to misalignment of shaft to bore. This causes rapid wear at one point on the sealing lip.	Excessive Shaft Wear	Check for presence of abrasive dirt and grit. Shaft may not have been properly cleaned before installation or exterior dirt and dust conditions may be too severe for the type of seal used. Shaft may be too soft. Shaft hardness limits are dictated by the severity of exterior dirt conditions, the amount of lubrication and surface speeds. Make sure seal is proper size. Too tight a fit on the shaft will cause excessive wear on both lip and shaft. Check for insufficient lubrication at the seal.
Sealing Lip Contact On Shaft Too Light	Make sure seal is proper size. Check shaft for excessive wear at point of contact. Shaft may be too soft . . . check minimum hardness specifications for the existing operating conditions. Check the installation tools used. Mounting cones and sleeves must not have O.D. of more than 1/32" greater than the shaft . . . or the sealing lip may be overstretched.	Shaft Scratched or Gouged	Proper installation procedure call for careful inspection and preparation of the shaft prior to installation of the seal. Shaft must be thoroughly cleaned before installing the seal. Paint, shellac or cement on the surface where the lip contacts the shaft prevents proper sealing.
Sealing Lip Nicked or Scratched	Careless storage, handling or use of improper assembly tools. Failure to clean and prepare shaft. Failure to protect sealing member when installing over splines, keyways, etc.	Spiral Machine Grooves on Shaft	Shafts should be polished at point of sealing lip contact or reground so spiral marks direct the fluid inward rather than outward under the sealing lip.
Sealing Lip "Blown-Out" (direction of lip contact reversed)	Look for excessive pressure build-up or plugged-up vents. Vents should be masked during painting to prevent clogging. Make sure the lubricant level is correct. Heating of the lubricant causes expansion and the pressure can blow out the seal.	Leakage Around the O.D. of the Seal	Check housing bore for out-of-roundness. If eccentricity is only slight (.001"), the use of special cement on the O.D. surface of seal may offset the condition. Check O.D. surface of seal for evidence of damage due to careless handling or improper installation. Seal may be cocked in housing. Check interior of bore for excessive roughness, dirt, scratches or burrs.
Sealing Lip Surface Softened	Spongy lip is result of incompatibility between fluid and sealing element.	Excessive Prelubrication	This is not actually leakage, although it may look like it. When too much prelubricant is used, the excess melts and runs out. Check this possibility before removing a seal that has the appearance of leaking.
Seal Case Distorted	O.D. of seal may be too large for housing bore. Bore diameter should not vary from that recommended for the size of the seal. Housing bore may be excessively out-of-round. If bore diameter and out-of-round limits are correct . . . look for evidence of careless handling or use of improper installation tools.		

GENERAL INFORMATION

REDI-SLEEVES INSTALLATION AND REMOVAL

Redi-Sleeves Installation

Each Redi-Sleeve comes with its own installation tool and removable installation flange. The installation tool reduces the possibility of sleeve distortion and provides for sleeve installation without removal of the shaft from the serviced equipment.

- 1) Minimum shaft surface preparation is required. Clean the old seal surface thoroughly and file down burrs and rough areas.
- 2) Determine sleeve position necessary to cover the seal wear tracks. Measure to a convenient point or mark directly on the shaft.
- 3) Redi-Sleeves may be installed to any depth. The column labelled "Installation Depth" in the *Redi-Sleeve Size Listing* indicates the maximum distance from the end of the shaft the sleeve can be installed using the supplied installation tool. Check whether the supplied tool will reach this position. If not, a tool can be fabricated using tubing or pipe to make deeper installations. If this is required, make sure the ends are cut square and are deburred.
- 4) Fill any deep scores or gouges on the shaft with a thread repair compound. Make sure to install the sleeve prior to the filler hardening.
- 5) Drop the Redi-Sleeve into the installation tool so that only the flange projects. Note that the flanged end of the sleeve goes on the shaft first.
- 6) Gently pound the center of the installation tool with a wood block or large soft face mallet until the sleeve reaches the previously measured point on the shaft. The wood block or large soft face mallet reduces the possibility of distorting the installation tool.
- 7) If clearance is required after installation, the Redi-Sleeve flange can be removed. Prior to installation, use side-cutters to cut through the flange to the pre-cut line. After the sleeve is installed, pry flange away from the seal surface. The flange will peel away along the pre-cut line.

Redi-Sleeve Removal

Suggested methods of sleeve removal:

- 1) Application of heat will cause the sleeve to expand and permit removal.
- 2) Wire cutters may be used to "tear" the sleeve from the shaft using a twisting motion.
- 3) With the flange removed, tapping the sleeve with a hammer may cause stretching on the sleeve and allow for removal.

GENERAL INFORMATION**NATIONAL WEAR SLEEVES DESCRIPTION, INSTALLATION & REMOVAL****National Wear Sleeves**

National wear sleeves are precision components that press fit onto a shaft, actually becoming part of the shaft. The outside diameter is ground to provide a surface finish of 10-25 microinches Ra (.25-.64 Micrometers Ra). A radius of the I.D. of the sleeve facilitates installation on to the shaft. National wear sleeves are designed to be installed at ambient temperatures, heating of the wear sleeve is not required for proper installation. The opposite end of the wear sleeve is also radiused on the O.D. to minimize the potential for damaging the seal during assembly.

Wear sleeves offer cost reduction opportunities to original equipment manufacturers who must now machine large or complex shafts or spindles to tight dimensional and finish tolerances in order to provide an adequate running surface for the seals. While transporting or moving the shaft from place to place, extreme care must be taken to prevent damage to a finished shaft. When wear sleeves are used, scratching or scoring of the shaft is eliminated since the seal will run on the precision-finished sleeve, installed when the seal and/or hub is installed.

Installation

- 1) Remove all dirt and oil from the sealing surface.
- 2) Coat shaft surface with a liquid sealant or gasket cement.
- 3) Press wear sleeve into position with an installation tool or use a flat plate against the sleeve. Do not hammer on the thin edge of the sleeve or the wear sleeve may become warped or out of round.
- 4) Remove excess sealant from the wear sleeve edges. No sealant should be left on the finished sleeve surface or seal leakage may result.

Removal

Suggested methods of wear sleeve removal:

- 1) Application of heat will cause the sleeve to expand and permit removal.
- 2) Tapping the sleeve with a hammer may cause stretching of the sleeve and allow for removal.
- 3) Careful use of a rounded, blunt chisel may remove the sleeve.
Caution. It is not necessary to cut the sleeve completely prior to removal.

**Shaft Tolerances For
National Wear Sleeves**

Up to 3.000" ± .001"
3.001" to 6.000" ± .0015"

Shaft Finish

Prime shaft finishes of 125 RMS or better may require very little cement under the sleeve. With shaft finishes of over 125 RMS, complete inside penetration of the cement is recommended.

Prefix Explanation

J = Ground 10-25 RMS
JV = Unground phosphate coated

GENERAL INFORMATION

V-SEALS DESCRIPTION, MATERIAL, STYLES & DIMENSIONAL REFERENCE

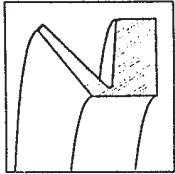
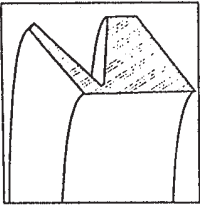
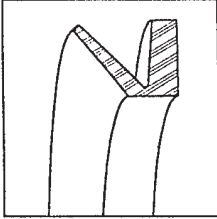
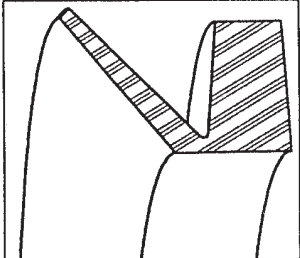
Description

The V-Seal is a simple and versatile elastomeric "face" type seal produced in Nitrile or Viton. It can be the primary sealing element in an application or it can be a contaminant excluder or back-up seal. The seal mounts on, and typically rotates with the shaft while the lip lightly contacts the counterface. The elasticity of the V-Seal design eases installation, permits a broader range of shaft sizes and allows use on eccentric and misaligned shafts.

Material Data

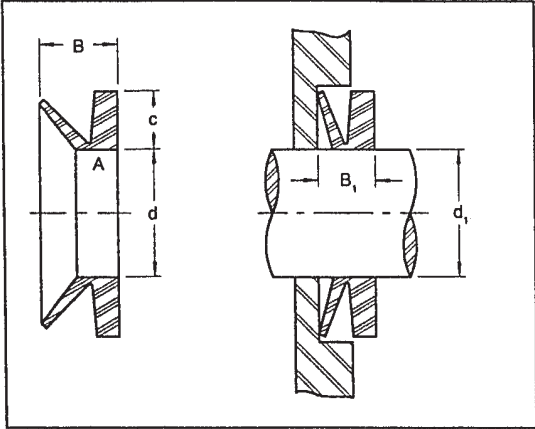
	Nitrile	Fluoroelastomer
Temp. Range:	-40° to 225°F	-30° to 325°F
Max. Shaft Speed (FPM):	2,400	1,300
Color:	Black	Brown

Styles

- 
VRS1 The standard design of the industry covers a shaft range of 0.11" to 79.53" (3 mm to 2000 mm).
- 
VRS2 The original style V-Seal offers a slightly more robust body when needed. Shaft coverage is from 0.18" to 8.27" (5 mm to 199 mm).
- 
VRS3 With its narrow body style, this V-Seal works on shafts from 5.32" to 18.70" (140 mm to 450 mm).
- 
VRS4 This heavy-duty V-Seal with its special design covers a shaft range of 17.72" to 79.12" (450 mm to 2000 mm).

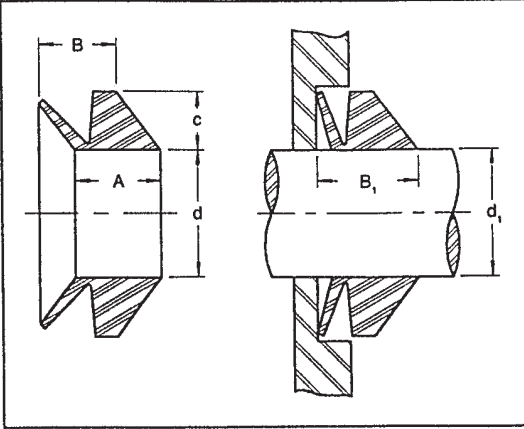
Dimensional Reference

VRS1, VRS3, and VRS4



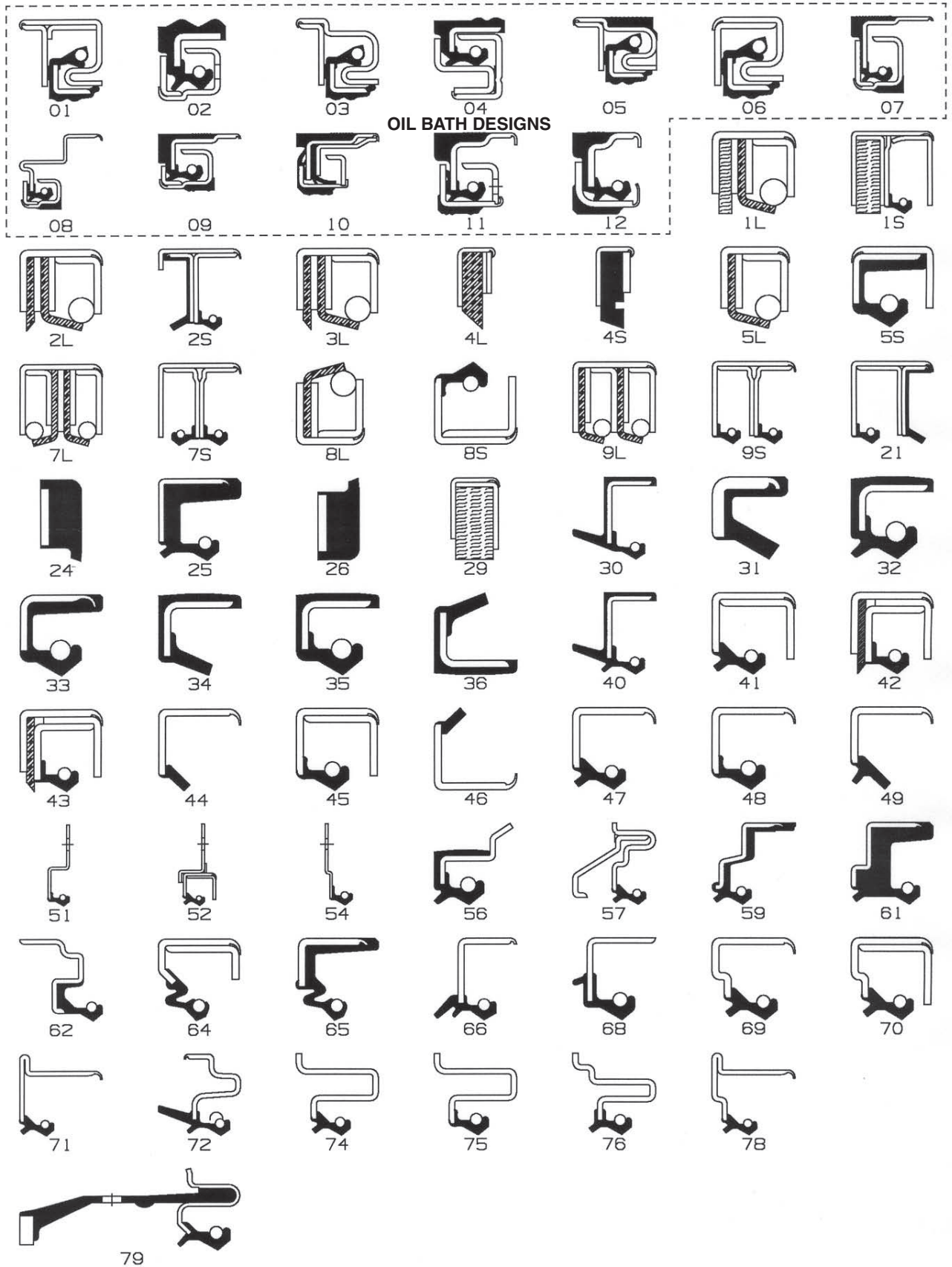
Profile dimensions Assembly dimensions

VRS2

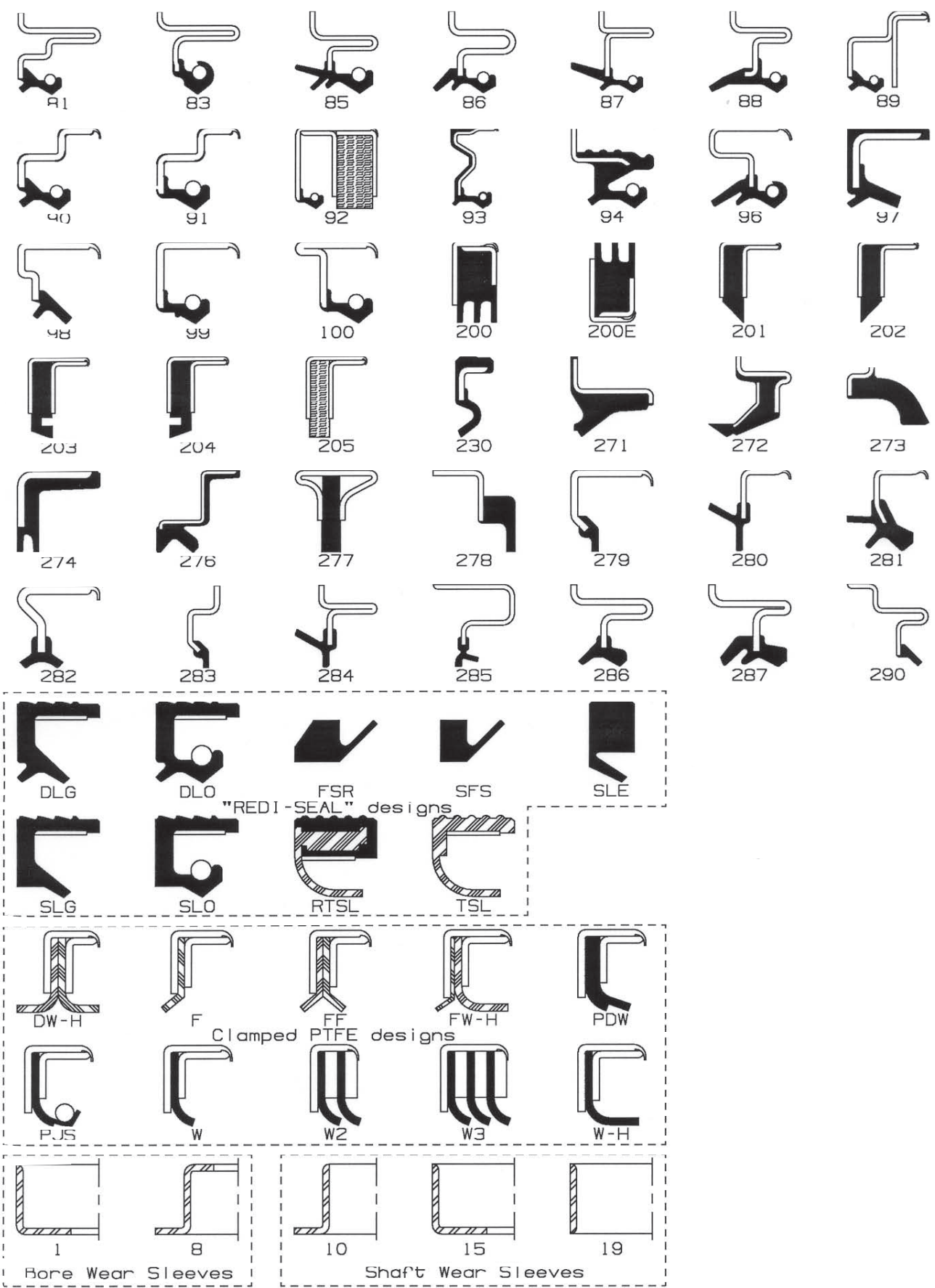


Profile dimensions Assembly dimensions

OIL SEAL DESIGN TYPES



OIL SEAL DESIGN TYPES



Size Section

Hsg. Bore	Seal O.D.	Seal Width	Lip Mat'l	Part No.	Type/ Illus.	Hsg. Bore	Seal O.D.	Seal Width	Lip Mat'l	Part No.	Type/ Illus.
.156" (5/32") SHAFT						.250" (1/4") SHAFT					
.500	.504	.187	S	340872	34	.499	.505	.187	S	343104	34
4,50mm (.177") SHAFT						6,50mm (.256") SHAFT					
15,80	16,00	5,00	S	* 4.5X16X5★	32	.750	.758	.250	S	350435	35
.622	.630	.197				.750	.760	.175	S	240435	24
15,80	16,00	7,00	S	* 4.5X16X7★	32	6,80mm (.268") SHAFT					
.622	.630	.276				14,30	14,50	7,00	S	* 6.5X14.5X7★	32
16,80	17,00	7,00	S	* 4.5X17X7★	32	.563	.571	.276			
.661	.669	.276				7,00mm (.276") SHAFT					
4,80mm (.189") SHAFT						21,80	22,00	7,00	S	* 6.8X22X7★	32
14,80	15,00	5,00	S	* 4.8X15X5★	32	.858	.866	.276			
.583	.591	.197				6,80mm (.268") SHAFT					
5,00mm (.197") SHAFT						16,00	16,20	7,00	V	* 7X16X7V★	35
14,80	15,00	6,00	S	* 5X15X6★	32	.630	.638	.276			
.583	.591	.236				16,00	16,28	7,00	S	7X16X7★	32
15,80	16,00	6,00	S	* 5X16X6★	32	.630	.641	.276			
.622	.630	.236				16,80	17,00	7,00	S	* 7X17X7★	32
16,00	16,20	5,00	S	* 5X16X5★	32	.661	.669	.276			
.630	.638	.197				17,80	18,00	7,00	S	* 7X18X7★	32
16,80	17,00	7,00	S	* 5X17X7★	32	.701	.709	.276			
.661	.669	.276				18,80	19,00	7,00	S	* 7X19X7★	32
17,80	18,00	6,00	S	* 5X18X6★	32	.740	.748	.276			
.701	.709	.236				21,80	22,00	6,00	S	* 7X22X6★	32
17,80	18,00	7,00	S	* 5X18X7★	32	.858	.866	.236			
.701	.709	.276				21,80	22,00	8,00	S	* 7X22X8★	32
17,80	18,00	10,00	S	* 5X18X10★	32	.858	.866	.315			
.701	.709	.394				22,00	22,28	7,00	S	7X22X7★	35
18,80	19,00	7,00	S	* 5X19X7★	32	.866	.877	.276			
.740	.748	.276				30,80	31,00	7,00	S	* 7X31X7★	32
21,80	22,00	7,00	S	* 5X22X7★	32	1.212	1.220	.276			
.858	.866	.276				.312" (5/16") SHAFT					
5,50mm (.217") SHAFT						.500	.506	.125	S	340826	34
17,80	18,00	8,00	S	* 5.5X18X8★	32	.625	.635	.175	S	240698	24
.701	.709	.315				.686	.690	.313	S	712022	#
21,80	22,00	8,00	S	* 5.5X22X8★	32	.749	.753	.250	S	712021	#
.858	.866	.315				.750	.756	.250	S	350364	35
6,00mm (.236") SHAFT						.999	1.003	.375	S	470195	47
16,00	16,20	5,00	S	6X16X5★	35	1.250	1.254	.375	L	50445	5L
.630	.638	.197				8,00mm (.315") SHAFT					
16,00	16,20	7,00	V	* 6X16X7V★	35	13,80	14,00	7,00	S	* 8X14X7★	32
.630	.638	.276				.543	.551	.276			
16,00	16,28	7,00	S	6X16X7★	35	14,00	14,20	4,00	S	8X14X4★	35
.630	.641	.276				.551	.559	.157			
16,80	17,00	7,00	S	* 6X17X7★	32	14,00	14,20	5,00	S	* 8X14X5★	32
.661	.669	.276				.551	.559	.197			
17,80	18,00	6,00	S	* 6X18X6★	32	14,80	15,00	5,00	S	* 8X15X5★	32
.701	.709	.236				.583	.591	.197			
17,80	18,00	7,00	S	* 6X18X7★	32	15,80	16,00	5,00	S	* 8X16X5★	32
.701	.709	.276				.622	.630	.197			
18,80	19,00	7,00	S	* 6X19X7★	32	15,80	16,00	6,00	S	* 8X16X6★	32
.740	.748	.276				.622	.630	.236			
19,80	20,00	5,50	S	* 6X20X5.5★	32	16,00	16,20	7,00	S	220860★	35
.779	.787	.217				.630	.638	.276			
20,80	21,00	7,00	S	* 6X21X7★	32	16,00	16,23	7,00	S	8X16X7★	35
.819	.827	.276				.630	.639	.276			
22,00	22,28	7,00	S	6X22X7★	35	16,80	17,00	7,00	S	* 8X17X7★	32
.866	.877	.276				.661	.669	.276			
25,80	26,00	7,00	S	* 6X26X7★	32	17,80	18,00	6,00	S	* 8X18X6★	32
1.016	1.024	.276				.701	.709	.236			
34,80	35,00	7,00	S	* 6X35X7★	32	17,80	18,00	8,00	S	* 8X18X8★	32
1.370	1.378	.276				.701	.709	.315			
						18,00	18,20	5,00	S	8X18X5★	35
						.709	.717	.197			
						18,00	18,20	7,00	S	8X18X7★	32
						.709	.717	.276			

SIZE SECTION

For Illustration and Material Data See Technical Section

Designed For A Specific Application - Not Recommended For General Use

* The U.S. customer service number is 877-4-TIMKEN. The Canadian customer service numbers are 800-565-4927 (English) and 800-565-0438 (French-Canadian). ★ Metric Seal

Hsg. Bore	Seal O.D.	Seal Width	Lip Mat'l	Part No.	Type/ Illus.	Hsg. Bore	Seal O.D.	Seal Width	Lip Mat'l	Part No.	Type/ Illus.
8,00mm (.315") SHAFT (cont.)						.375" (3/8") SHAFT					
18,00	18,20	7,00	S	220818★	32	.562	.568	.125	S	340827	34
.709	.717	.276				.687	.691	.156	S	311189	31
18,80	19,00	7,00	S	*8X19X7★	32	.687	.691	.156	N	*311189N	31
.740	.748	.276				.750	.754	.250	S	*40385S	4S
19,80	20,00	7,00	S	*8X20X7★	32	.750	.754	.250	H	*50385	5S
.779	.787	.276				.750	.754	.250	S	50385S	5S
21,80	22,00	6,00	S	*8X22X6★	32	.750	.754	.250	S	*310385	31
.858	.866	.236				.750	.754	.250	S	330385	33
22,00	22,20	7,00	V	*8X22X7V★	32	.750	.756	.250	S	340385	34
.866	.874	.276				.750	.756	.250	S	*350385	35
22,00	22,28	7,00	S	8X22X7★	32	.750	.760	.175	S	240385	24
.866	.877	.276				.750	.760	.175	N	*240385N	24
22,80	23,00	5,00	S	*8X23X5★	32	.836	.841	.187	S	444258	44
.898	.906	.197				.836	.841	.187	N	474279N	47
24,00	24,28	7,00	S	8X24X7★	35	.874	.883	.312	S	350156	35
.945	.956	.276				.875	.880	.250	S	473096	47
24,80	25,00	7,00	S	*8X25X7★	32	.999	1.003	.375	H	*50197	5S
.976	.984	.276				.999	1.003	.375	S	50197S	5S
24,80	25,00	8,00	S	*8X25X8★	32	.999	1.004	.250	S	471103	47
.976	.984	.315				1.250	1.254	.375	L	*50010	5L
24,80	25,00	9,00	S	*8X25X9★	32	.390" SHAFT					
.976	.984	.354				.750	.756	.250	S	*342047	34
25,80	26,00	7,00	S	*8X26X7★	32	10,00mm (.394") SHAFT					
1.016	1.024	.276				15,80	16,00	4,00	S	*10X16X4★	32
29,80	30,00	6,00	S	*8X30X6★	32	.622	.630	.157			
1.173	1.181	.236				15,80	16,00	4,50	S	*10X16X4.5★	32
29,80	30,00	7,00	S	*8X30X7★	32	.622	.630	.177			
1.173	1.181	.276				16,80	17,00	5,00	S	*10X17X5★	32
33,80	34,00	8,00	S	*8X34X8★	32	.661	.669	.197			
1.331	1.339	.315				16,80	17,00	7,00	S	*10X17X7★	32
.344" (11/32") SHAFT						.661	.669	.276			
.999	1.003	.375	S	*53809S	5S	17,80	18,00	4,00	S	*10X18X4★	32
8,85mm (.348") SHAFT						.701	.709	.157			
16,80	17,00	5,00	S	*8.85X17X5★	32	17,80	18,00	5,00	S	*10X18X5★	32
.661	.669	.197				.701	.709	.197			
19,80	20,00	5,00	S	*8.85X20X5★	32	17,80	18,00	6,00	S	*10X18X6★	32
.779	.787	.197				.701	.709	.236			
9,00mm (.354") SHAFT						17,80	18,00	7,00	S	*10X18X7★	32
15,80	16,00	5,50	S	*9X16X5.5★	32	.701	.709	.276			
.622	.630	.217				19,00	19,20	7,00	S	10X19X7★	32
18,00	18,20	7,00	S	9X18X7★	35	.748	.756	.276			
.709	.717	.276				19,00	19,20	7,00	S	221040★	35
18,00	18,20	7,00	S	220918★	35	.748	.756	.276			
.709	.717	.276				19,80	20,00	5,00	S	*10X20X5★	32
18,80	19,00	5,00	S	*9X19X5★	32	.779	.787	.197			
.740	.748	.197				19,80	20,00	6,00	S	*10X20X6★	32
18,80	19,00	7,00	S	*9X19X7★	32	.779	.787	.236			
.740	.748	.276				19,80	20,00	7,00	S	*10X20X7★	32
19,80	20,00	7,00	S	*9X20X7★	32	.779	.787	.276			
.779	.787	.276				20,80	21,00	4,00	S	*10X21X4★	32
22,00	22,20	7,00	S	9X22X7★	35	.819	.827	.157			
.866	.874	.276				20,80	21,00	6,00	S	*10X21X6★	32
22,00	22,20	7,00	V	*9X22X7V★	35	.819	.827	.236			
.866	.874	.276				20,80	21,00	7,00	S	*10X21X7★	32
24,00	24,28	7,00	S	9X24X7★	35	.819	.827	.276			
.945	.956	.276				21,80	22,00	5,00	S	*10X22X5★	32
24,80	25,00	7,00	S	*9X25X7★	32	.858	.866	.197			
.976	.984	.276				21,80	22,00	6,00	S	*10X22X6★	32
26,00	26,28	7,00	S	9X26X7★	35	.858	.866	.236			
1.024	1.035	.276				22,00	22,20	7,00	V	*10X22X7V★	35
28,80	29,00	7,00	S	*9X29X7★	32	.866	.874	.276			
1.134	1.142	.276				22,00	22,28	7,00	S	10X22X7★	32
29,80	30,00	7,00	S	*9X30X7★	32	.866	.877	.276			
1.173	1.181	.276				22,80	23,00	7,00	S	*10X23X7★	32
						.898	.906	.276			
						22,80	23,00	8,00	S	*10X23X8★	32
						.898	.906	.315			

For Illustration and Material Data See Technical Section

* The U.S. customer service number is 877-4-TIMKEN. The Canadian customer service numbers are 800-565-4927 (English) and 800-565-0438 (French-Canadian). ★ Metric Seal

Size Section

Hsg. Bore	Seal O.D.	Seal Width	Lip Mat'l	Part No.	Type/ Illus.	Hsg. Bore	Seal O.D.	Seal Width	Lip Mat'l	Part No.	Type/ Illus.
10,00mm (.394") SHAFT (cont.)						.437" (7/16") SHAFT (cont.)					
23,30	23,50	10,00	S	* 10X23.5X10★	32	.999	1.003	.375	S	470199	47
.917	.925	.394				.999	1.003	.375	N	* 470199N	47
23,80	24,00	6,00	S	* 10X24X6★	32	.999	1.003	.375	V	* 470199V	47
.937	.945	.236				.999	1.007	.250	S	6863S	35
24,00	24,23	7,00	S	10X24X7★	35	1.124	1.128	.250	S	474277	47
.945	.954	.276				1.124	1.128	.406	S	453059	45
24,80	25,00	5,00	S	* 10X25X5★	32	11,60mm (.457") SHAFT					
.976	.984	.197				18,80	19,00	6,00	S	* 11.6X19X6★	32
24,80	25,00	10,00	S	* 10X25X10★	32	.740	.748	.236			
.976	.984	.394				23,80	24,00	10,00	S	* 11.6X24X10★	32
25,00	25,28	7,00	S	10X25X7★	32	.937	.945	.394			
.984	.995	.276				.468" (15/32") SHAFT					
25,80	26,00	8,00	S	* 10X26X8★	32	—	—	—	S	800120	VRS1
1.016	1.024	.315				1.124	1.126	.375	S	470004	47
26,00	26,23	7,00	S	10X26X7★	32	1.124	1.128	.375	L	* 50004	5L
1.024	1.033	.276				12,00mm (.472") SHAFT					
27,80	28,00	7,00	S	* 10X28X7★	32	—	—	—	S	800120	VRS1
1.094	1.102	.276				—	—	.236		99049	Redi-Sleeve
27,80	28,00	8,00	S	* 10X28X8★	32	17,80	18,00	5,00	S	* 12X18X5★	32
1.094	1.102	.315				.701	.709	.197			
29,80	30,00	7,00	S	* 10X30X7★	32	18,80	19,00	7,00	S	* 12X19X7★	32
1.173	1.181	.276				.740	.748	.276			
29,80	30,00	10,00	S	* 10X30X10★	32	19,00	19,20	5,00	S	12X19X5★	32
1.173	1.181	.394				.748	.756	.197			
.402" SHAFT						19,80	20,00	4,00	S	* 12X20X4★	32
.999	1.005	.180	V	* 8891	24	.779	.787	.157			
.408" SHAFT						19,80	20,00	6,00	S	* 12X20X6★	32
1.004	.102	.208	N	4701	49	.779	.787	.236			
1.004	1.008	.208	N	4701N	49	19,80	20,00	7,00	S	* 12X20X7★	32
11,00mm (.433") SHAFT						.779	.787	.276			
17,00	17,25	4,00	S	11X17X4★	32	20,00	20,28	5,00	S	12X20X5★	32
.669	.679	.157				.787	.798	.197			
20,80	21,00	7,00	S	* 11X21X7★	32	20,80	21,00	4,00	S	* 12X21X4★	32
.819	.827	.276				.819	.827	.157			
20,80	21,00	8,00	S	* 11X21X8★	32	20,80	21,00	7,00	S	* 12X21X7★	32
.819	.827	.315				.819	.827	.276			
22,00	22,23	7,00	S	221122★	35	21,80	22,00	5,00	S	* 12X22X5★	32
.866	.875	.276				.858	.866	.197			
22,00	22,28	7,00	S	11X22X7★	32	21,80	22,00	6,50	S	* 12X22X6.5★	32
.866	.877	.276				.858	.866	.256			
22,80	23,00	7,00	S	* 11X23X7★	32	21,80	22,00	8,00	S	* 12X22X8★	32
.898	.906	.276				.858	.866	.315			
23,30	23,50	7,00	S	* 11X23.5X7★	32	21,80	22,00	9,00	S	* 12X22X9★	32
.917	.925	.276				.858	.866	.354			
24,80	25,00	7,00	S	* 11X25X7★	32	22,00	22,20	7,00	V	* 12X22X7V★	35
.976	.984	.276				.866	.874	.276			
26,00	26,28	7,00	S	11X26X7★	35	22,00	22,25	7,00	S	12X22X7★	35
1.024	1.035	.276				.866	.876	.276			
27,80	28,00	7,00	S	* 11X28X7★	32	22,00	22,25	7,00	S	221207★	35
1.094	1.102	.276				.866	.876	.276			
28,80	29,00	7,00	S	* 11X29X7★	32	22,00	22,25	7,00	V	221208★	35
1.134	1.142	.276				.866	.876	.276			
29,80	30,00	10,00	S	* 11X30X10★	32	22,80	23,00	7,00	S	* 12X23X7★	32
1.173	1.181	.394				.898	.906	.276			
30,00	30,20	7,00	S	11X30X7★	32	23,30	23,50	7,00	S	* 12X23.5X7★	32
1.181	1.189	.276				.917	.925	.276			
.437" (7/16") SHAFT						23,80	24,00	8,00	S	* 12X24X8★	32
.624	.633	.125	S	343101	34	.937	.945	.315			
.875	.879	.312	H	* 50470	5S	24,00	24,23	7,00	S	12X24X7★	32
.875	.879	.312	S	50470S	5S	.945	.954	.276			
.875	.880	.250	S	472810	47	24,80	25,00	8,00	S	* 12X25X8★	32
.875	.880	.250	S	* 482810	48	.976	.984	.315			
.875	.885	.175	S	240470	24	24,80	25,00	10,00	S	* 12X25X10★	32
.999	1.003	.375	H	* 50199H	5S	.976	.984	.394			
.999	1.003	.375	S	* 50199S	5S	25,00	25,20	4,50	S	12X25X4.5★	32
						.984	.992	.177			

For Illustration and Material Data See Technical Section

* The U.S. customer service number is 877-4-TIMKEN. The Canadian customer service numbers are 800-565-4927 (English) and 800-565-0438 (French-Canadian). ★ Metric Seal

Hsg. Bore	Seal O.D.	Seal Width	Lip Mat'l	Part No.	Type/ Illus.	Hsg. Bore	Seal O.D.	Seal Width	Lip Mat'l	Part No.	Type/ Illus.
12,00mm (.472") SHAFT (cont.)						12,50mm (.492") SHAFT (cont.)					
25,00	25,20	4,50	S	12X25X4.5★	32	28,30	28,50	7,00	S	* 12.5X28.5X7★	32
.984	.992	.177				1.114	1.122	.276			
25,00	25,25	7,00	S	12X25X7★	32	.493" SHAFT					
.984	.994	.276				—	—	—	S	800130	VRS1
25,30	25,50	7,00	S	* 12X25.5X7★	32	—	—	—	V	800134	VRS1
.996	1.004	.276				1.000	1.004	.250	S	* 471211	47
1.000	1.006	.375	S	320457	32	.500" (1/2") SHAFT					
25,80	26,00	8,00	S	* 12X26X8★	32	—	—	—	S	800130	VRS1
1.016	1.024	.315				—	—	—	V	800134	VRS1
26,00	26,20	7,00	S	12X26X7★	32	—	—	.250		99050	Redi-Sleeve
1.024	1.031	.276				.687	.693	.093	S	342805	34
26,80	27,00	9,00	S	* 12X27X9★	32	.688	.696	.100	N	* 7506N	24
1.055	1.063	.354				.688	.696	.100	S	* 7506S	24
27,00	27,20	7,00	S	* 12X27X7★	32	.749	.753	.093	S	43095S	4S
1.063	1.071	.276				.750	.756	.125	S	340847	34
27,80	28,00	8,00	S	* 12X28X8★	32	.751	.756	.192	S	8792S	31
1.094	1.102	.315				.843	.848	.250	S	312196	31
28,00	28,20	7,00	S	12X28X7★	35	.875	.879	.187	S	330699	33
1.102	1.110	.276				.875	.879	.218	S	43080S	4S
28,00	28,20	7,00	V	* 12X28X7V★	35	.875	.879	.313	S	712019	#
1.102	1.110	.276				.875	.881	.125	S	342613	34
28,30	28,50	7,00	S	* 12X28.5X7★	32	.875	.881	.250	S	342614	34
1.114	1.122	.276				.999	1.003	.250	S	48144	#
29,80	30,00	5,00	S	* 12X30X5★	32	.999	1.003	.250	S	41442S	4S
1.173	1.181	.197				.999	1.003	.250	S	471442	47
29,80	30,00	9,00	S	* 12X30X9★	32	.999	1.003	.250	A	471442A	47
1.173	1.181	.354				.999	1.003	.250	H	* 471442H	47
29,80	30,00	10,00	S	* 12X30X10★	32	.999	1.003	.250	N	* 471442N	47
1.173	1.181	.394				.999	1.003	.250	V	471442V	47
30,00	30,20	7,00	S	12X30X7★	32	.999	1.003	.250	S	* 481442	48
1.181	1.189	.276				.999	1.003	.250	N	* 481442N	48
30,00	30,20	7,00	V	* 12X30X7V★	35	.999	1.003	.250	V	* 481442V	48
1.181	1.189	.276				.999	1.003	.375	S	410119	41
31,80	32,00	5,00	S	* 12X32X5★	32	.999	1.003	.375	S	* 450119	45
1.252	1.260	.197				.999	1.003	.375	S	470119	47
31,80	32,00	10,00	S	* 12X32X10★	32	.999	1.003	.375	S	* 480119	48
1.252	1.260	.394				.999	1.010	.175	S	240119	24
32,00	32,20	7,00	S	12X32X7★	35	1.000	1.004	.250	S	* 471490	47
1.260	1.268	.276				1.000	1.004	.250	S	* 481490	48
34,80	35,00	10,00	S	* 12X35X10★	32	1.006	1.010	.250	S	1041	48
1.370	1.378	.394				1.010	1.017	.204	V	324234V	32
35,00	35,20	7,00	S	12X35X7★	32	1.124	1.128	.250	V	471526V	47
1.378	1.386	.276				1.124	1.128	.250	S	41526S	4S
36,80	37,00	7,00	S	* 12X37X7★	32	1.124	1.128	.250	S	471526	47
1.449	1.457	.276				1.124	1.128	.250	A	471526A	47
.490" SHAFT						1.124	1.128	.250	S	* 481526	48
—	—	—	S	800120	VRS1	1.124	1.128	.250	N	* 481526N	48
—	—	—	S	800130	VRS1	1.124	1.128	.312	S	* 411294	41
—	—	—	V	800134	VRS1	1.124	1.128	.312	H	* 451294H	45
.688	.696	.100	S	* 9791	24	1.124	1.128	.312	S	* 471294	47
12,45mm (.490") SHAFT						1.124	1.128	.312	S	* 481294	48
21,80	22,00	7,00	S	* 12.45X22X7★	32	1.124	1.128	.375	S	* 410005	41
.858	.866	.276				1.124	1.128	.375	S	450005	45
.490" SHAFT						1.124	1.128	.375	S	470005	47
.875	.883	.250	S	340771	34	1.124	1.128	.375	S	* 480005	48
1.122	1.132	.265	S	351028	35	1.124	1.134	.175	S	* 240005	24
12,50mm (.492") SHAFT						1.156	1.166	.250	S	324112	32
21,80	22,00	6,00	S	* 12.5X22X6★	32	1.250	1.254	.250	S	* 40014S	4S
.858	.866	.236				1.250	1.254	.250	S	471472	47
23,30	23,50	8,00	S	* 12.5X23.5X8★	32	1.250	1.254	.250	V	471472V	47
.917	.925	.315				1.250	1.254	.250	S	* 481472	48
23,30	23,50	10,00	S	* 12.5X23.5X10★	32	1.250	1.254	.250	N	* 481472N	48
.917	.925	.394				1.250	1.254	.375	S	* 410014	41
24,80	25,00	8,00	S	* 12.5X25X8★	32	1.250	1.254	.375	S	* 450014	45
.976	.984	.315				1.250	1.254	.375	S	470014	47
						1.375	1.379	.250	S	471549	47

For Illustration and Material Data See Technical Section

Designed For A Specific Application - Not Recommended For General Use

* The U.S. customer service number is 877-4-TIMKEN. The Canadian customer service numbers are 800-565-4927 (English) and 800-565-0438 (French-Canadian). ★ Metric Seal

Size Section

Hsg. Bore	Seal O.D.	Seal Width	Lip Mat'l	Part No.	Type/ Illus.	Hsg. Bore	Seal O.D.	Seal Width	Lip Mat'l	Part No.	Type/ Illus.
.500" (1/2") SHAFT (cont.)						14,00mm (.551") SHAFT (cont.)					
1.375	1.379	.312	S	*451555	45	22,80	23,00	6,00	S	*14X23X6★	32
1.375	1.379	.312	S	471555	47	.898	.906	.236			
1.375	1.379	.406	S	*410019	41	23,80	24,00	4,00	S	*14X24X4★	32
1.375	1.379	.406	S	*450019	45	.937	.945	.157			
1.375	1.379	.406	S	*470019	47	23,80	24,00	5,00	S	*14X24X5★	32
1.375	1.379	.406	S	*480019	48	.937	.945	.197			
1.378	1.382	.406	S	472467	47	23,80	24,00	6,00	S	*14X24X6★	32
						.937	.945	.236			
						23,80	24,00	8,00	S	*14X24X8★	32
						.937	.945	.315			
			S	800130	VRS1	24,00	24,23	7,00	S	221410★	35
			V	800134	VRS1	.945	.954	.276			
19,80	20,00	5,00	S	*13X20X5★	32	24,00	24,23	7,00	S	14X24X7★	32
.779	.787	.197				.945	.954	.276			
21,80	22,00	5,00	S	*13X22X5★	32	24,00	24,25	12,70	S	2004★◆	#
.858	.866	.197				.945	.955	.500			
21,80	22,00	7,00	S	*13X22X7★	32	24,80	25,00	4,00	S	*14X25X4★	32
.858	.866	.276				.976	.984	.157			
22,00	22,20	6,00	S	13X22X6★	32	24,80	25,00	7,00	S	*14X25X7★	32
.866	.874	.236				.976	.984	.276			
22,00	22,20	6,00	S	710348★	32	24,80	25,00	9,00	S	*14X25X9★	32
.866	.874	.236				.976	.984	.354			
22,80	23,00	7,00	S	*13X23X7★	32	25,00	25,20	7,00	N	710116★	32
.898	.906	.276				.984	.992	.276			
23,80	24,00	7,00	S	*13X24X7★	32	25,00	25,23	5,00	S	14X25X5★	32
.937	.945	.276				.984	.993	.197			
24,80	25,00	5,00	S	*13X25X5★	32	1.000	1.004	.312	S	473546	47
.976	.984	.197				25,80	26,00	8,00	S	*14X26X8★	32
24,80	25,00	7,00	S	*13X25X7★	32	1.016	1.024	.315			
.976	.984	.276				26,00	26,23	7,00	S	14X26X7★	32
25,80	26,00	9,00	S	*13X26X9★	32	1.024	1.033	.276			
1.016	1.024	.354				26,80	27,00	10,00	S	*14X27X10★	32
26,00	26,20	7,00	S	13X26X7★	32	1.055	1.063	.394			
1.024	1.031	.276				27,00	27,20	7,00	S	14X27X7★	32
27,00	27,20	7,00	S	*13X27X7★	32	1.063	1.071	.276			
1.063	1.071	.276				27,80	28,00	7,00	S	*14X28X7★	32
28,00	28,20	7,00	S	13X28X7★	32	1.094	1.102	.276			
1.102	1.110	.276				27,80	28,00	7,00	S	*14X28X7★	32
29,80	30,00	8,00	S	*13X30X8★	32	1.094	1.102	.276			
1.173	1.181	.315				28,00	28,23	6,00	S	14X28X6★	32
30,00	30,20	7,00	S	13X30X7★	32	1.102	1.111	.236			
1.181	1.189	.276				28,30	28,50	7,00	S	*14X28.5X7★	32
31,80	32,00	7,00	S	*13X32X7★	32	1.114	1.122	.276			
1.252	1.260	.276				28,80	29,00	7,00	S	*14X29X7★	32
34,80	35,00	7,00	S	*13X35X7★	32	1.134	1.142	.276			
1.370	1.378	.276				29,80	30,00	7,50	S	*14X30X7.5★	32
						1.173	1.181	.295			
						29,80	30,00	8,00	S	*14X30X8★	32
						1.173	1.181	.315			
						29,80	30,00	9,00	S	*14X30X9★	32
						1.173	1.181	.354			
						29,80	30,00	10,00	S	*14X30X10★	32
						1.173	1.181	.394			
						30,00	30,20	7,00	S	14X30X7★	32
						1.181	1.189	.276			
						30,00	30,20	7,00	V	*14X30X7V★	35
						1.181	1.189	.276			
						31,80	32,00	7,50	S	*14X32X7.5★	32
						1.252	1.260	.295			
						31,80	32,00	10,00	S	*14X32X10★	32
						1.252	1.260	.394			
						32,00	32,20	7,00	S	14X32X7★	32
						1.260	1.268	.276			
						34,80	35,00	8,00	S	*14X35X8★	32
						1.370	1.378	.315			
						34,80	35,00	10,00	S	*14X35X10★	32
						1.370	1.378	.394			
						35,00	35,22	7,00	S	14X35X7★	32
						1.378	1.387	.276			
						35,80	36,00	7,00	S	*14X36X7★	32
						1.409	1.417	.276			

SIZE SECTION

For Illustration and Material Data See Technical Section

Designed For A Specific Application - Not Recommended For General Use ◆ Hydrodynamic Lip Design-CCW

* The U.S. customer service number is 877-4-TIMKEN. The Canadian customer service numbers are 800-565-4927 (English) and 800-565-0438 (French-Canadian). ★ Metric Seal

Hsg. Bore	Seal O.D.	Seal Width	Lip Mat'l	Part No.	Type/ Illus.	Hsg. Bore	Seal O.D.	Seal Width	Lip Mat'l	Part No.	Type/ Illus.
14,00mm (.551") SHAFT (cont.)						.590" SHAFT					
39,80	40,00	7,00	S	* 14X40X7★	32	-	-	.197		99059	Redi-Sleeve
1.567	1.575	.276				.997	1.006	.200	N	* 4127N	34
39,80	40,00	10,00	S	* 14X40X10★	32	15,00mm (.591") SHAFT					
1.567	1.575	.394				-	-	.197		99059	Redi-Sleeve
.562" (9/16") SHAFT						20,00	20,10	5,00	S	710346★	49
-	-	.250		99056	Redi-Sleeve	.787	.791	.197			
.750	.754	.094	S	712028	#	20,80	21,00	5,00	S	* 15X21X5★	32
.810	.814	.187	N	313156	31	.819	.827	.197			
.810	.814	.187	N	* 313156N	31	21,80	22,00	4,00	S	* 15X22X4★	32
.875	.879	.187	S	314259	31	.858	.866	.157			
.999	1.003	.250	S	* 471315	47	21,80	22,00	5,00	S	* 15X22X5★	32
.999	1.003	.250	S	* 481315	48	.858	.866	.197			
.999	1.003	.250	N	* 481315N	48	21,80	22,00	7,00	S	* 15X22X7★	32
.999	1.003	.250	V	* 481315V	48	.858	.866	.276			
.999	1.003	.375	S	* 410202	41	22,80	23,00	7,00	S	* 15X23X7★	32
.999	1.003	.375	N	* 410202N	41	.898	.906	.276			
.999	1.003	.375	S	* 450202	45	23,80	24,00	5,00	S	* 15X24X5★	32
.999	1.003	.375	N	* 450202N	45	.937	.945	.197			
.999	1.003	.375	S	* 470202	47	23,80	24,00	6,00	S	* 15X24X6★	32
.999	1.003	.375	S	* 480202	48	.937	.945	.236			
1.000	1.004	.250	V	472705V	47	24,00	24,20	5,00	S	2027★	35
1.000	1.004	.250	S	472705	47	.945	.953	.197			
1.000	1.004	.312	S	* 470650	47	24,00	24,23	7,00	S	15X24X7★	32
1.004	1.008	.254	N	718610	47	.945	.954	.276			
1.124	1.128	.250	S	471281	47	25,00	25,20	5,00	S	15X25X5★	32
1.124	1.128	.250	S	* 481281	48	.984	.992	.197			
1.124	1.128	.250	N	* 481281N	48	25,00	25,20	7,00	S	15X25X7★	35
1.124	1.128	.250	V	* 481281V	48	.984	.992	.276			
1.124	1.128	.312	S	* 411531	41	25,00	25,22	7,00	S	* 350509★	35
1.124	1.128	.312	S	* 451531	45	.984	.993	.276			
1.124	1.128	.375	S	* 410007	41	25,00	25,25	6,00	N	15X25X6★	32
1.124	1.128	.375	S	* 450007	45	.984	.994	.236			
1.124	1.128	.375	H	* 450007H	45	25,00	25,25	6,00	N	221510★	32
1.124	1.128	.375	S	* 470007	47	.984	.994	.236			
1.124	1.128	.375	S	* 480007	48	25,30	25,50	4,50	S	* 15X25.5X4.5★	32
1.124	1.128	.531	V	* 3072V	49	.996	1.004	.177			
1.124	1.135	.175	S	* 240007	24	25,30	25,50	7,00	S	* 15X25.5X7★	32
1.234	1.238	.437	S	* 7708	71	.996	1.004	.276			
1.246	1.250	.375	S	* 410536	41	25,80	26,00	6,00	S	* 15X26X6★	32
1.246	1.250	.375	S	450536	45	1.016	1.024	.236			
1.246	1.250	.375	N	* 450536N	45	25,80	26,00	8,00	S	* 15X26X8★	32
1.246	1.250	.375	S	* 480536	48	1.016	1.024	.315			
1.250	1.254	.250	S	471535	47	25,80	26,00	9,00	S	* 15X26X9★	32
1.250	1.254	.250	S	* 481535	48	1.016	1.024	.354			
1.250	1.254	.375	S	* 410016	41	26,00	26,23	7,00	S	15X26X7★	32
1.250	1.254	.375	S	* 450016	45	1.024	1.033	.276			
1.250	1.254	.375	H	* 450016H	45	26,80	27,00	7,00	S	* 15X27X7★	32
1.250	1.254	.375	S	* 470016	47	1.055	1.063	.276			
1.250	1.254	.375	S	* 480016	48	26,80	27,00	8,00	S	* 15X27X8★	32
1.250	1.254	.375	N	* 480016N	48	1.055	1.063	.315			
1.375	1.379	.250	S	471551	47	27,80	28,00	6,00	S	* 15X28X6★	32
1.375	1.379	.250	S	* 481551	48	1.094	1.102	.236			
1.375	1.379	.250	H	* 481551H	48	27,80	28,00	8,00	S	* 15X28X8★	32
1.375	1.379	.312	S	* 411557	41	1.094	1.102	.315			
1.375	1.379	.406	S	* 410021	41	27,80	28,00	10,00	S	* 15X28X10★	32
1.375	1.379	.406	S	* 450021	45	1.094	1.102	.394			
1.375	1.379	.406	S	* 470021	47	27,93	28,13	7,00	S	* 15X28.13X7★	32
1.375	1.379	.406	S	* 480021	48	1.099	1.107	.276			
14,50mm (.571") SHAFT						28,00	28,20	7,00	S	15X28X7★	32
31,80	32,00	7,00	S	* 14.5X32X7★	32	1.102	1.110	.276			
1.252	1.260	.276				28,30	28,50	7,00	S	* 15X28.5X7★	32
14,80mm (.583") SHAFT						1.114	1.122	.276			
29,80	30,00	7,50	S	* 14.8X30X7.5★	32	28,80	29,00	7,00	S	* 15X29X7★	32
1.173	1.181	.295				1.134	1.142	.276			
29,80	30,00	7,50	S	* 14.8X30X7.5★	32	29,80	30,00	5,00	S	* 15X30X5★	32
1.173	1.181	.295				1.173	1.181	.197			
29,80	30,00	7,50	S	* 15X30X7.5★	32	1.173	1.181	.295			

For Illustration and Material Data See Technical Section

Designed For A Specific Application - Not Recommended For General Use

* The U.S. customer service number is 877-4-TIMKEN. The Canadian customer service numbers are 800-565-4927 (English) and 800-565-0438 (French-Canadian). ★ Metric Seal

Size Section

Hsg. Bore	Seal O.D.	Seal Width	Lip Mat'l	Part No.	Type/ Illus.	Hsg. Bore	Seal O.D.	Seal Width	Lip Mat'l	Part No.	Type/ Illus.
15,00mm (.591") SHAFT (cont.)						.610" SHAFT					
29,80	30,00	8,00	S	* 15X30X8★	32	-	-	-	S	800160	VRS1
1.173	1.181	.315				-	-	-	V	800164	VRS1
29,80	30,00	10,00	S	* 15X30X10★	32	1.102	1.106	.600	V	710274	#
1.173	1.181	.394				.614" SHAFT					
30,00	30,23	7,00	S	221540★	35	-	-	-	S	800160	VRS1
1.181	1.190	.276				-	-	-	V	800164	VRS1
30,00	30,23	7,00	S	15X30X7★	32	15,60mm (.614") SHAFT					
1.181	1.190	.276				25,30	25,50	7,00	S	* 15.6X25.5X7★	32
30,80	31,00	7,00	S	* 15X31X7★	32	.996	1.004	.276			
1.212	1.220	.276				.614" SHAFT					
31,80	32,00	5,00	S	* 15X32X5★	32	.999	1.006	.250	S	340724	34
1.252	1.260	.197				.621" SHAFT					
31,80	32,00	7,50	S	* 15X32X7.5★	32	-	-	-	S	800160	VRS1
1.252	1.260	.295				-	-	-	V	800164	VRS1
31,80	32,00	9,00	S	* 15X32X9★	32	.937	.941	.187	S	* 311197	31
1.252	1.260	.354				.622" SHAFT					
32,00	32,20	7,00	S	15X32X7★	35	-	-	-	S	800160	VRS1
1.260	1.268	.276				-	-	-	V	800164	VRS1
32,00	32,20	7,00	V	* 15X32X7V★	35	1.559	1.567	.453	S	* 712127	32
1.260	1.268	.276				.625" (5/8") SHAFT					
32,00	32,22	8,00	S	15X32X8★	32	-	-	-	S	800160	VRS1
1.260	1.269	.315				-	-	-	V	800164	VRS1
34,80	35,00	5,00	S	* 15X35X5★	32	-	-	.313	99062	Redi-Sleeve	
1.370	1.378	.197				.812	.820	.093	S	340387	34
34,80	35,00	6,00	S	* 15X35X6★	32	.875	.879	.230	S	* 9659	#
1.370	1.378	.236				.875	.879	.230	H	* 9659H	#
34,80	35,00	8,00	S	* 15X35X8★	32	.875	.880	.125	S	253747	25
1.370	1.378	.315				.875	.883	.093	S	340849	34
34,80	35,00	10,00	S	* 15X35X10★	32	.936	.942	.187	S	343105	34
1.370	1.378	.394				.937	.945	.187	S	7399S	24
35,00	35,20	7,00	V	* 15X35X7V★	35	.999	1.003	.250	S	7188S	33
1.378	1.386	.276				.999	1.005	.250	S	351487	35
35,00	35,23	7,00	S	15X35X7★	32	1.000	1.004	.156	N	* 6792	4S
1.378	1.387	.276				1.000	1.004	.250	S	* 250416	25
35,80	36,00	7,00	S	* 15X36X7★	32	1.000	1.005	.125	N	314267N	31
1.409	1.417	.276				1.124	1.128	.250	S	48146	#
36,80	37,00	7,00	S	* 15X37X7★	32	1.124	1.128	.250	S	41466S	4S
1.449	1.457	.276				1.124	1.128	.250	S	471466	47
37,00	37,20	6,00	S	15X37X6★	32	1.124	1.128	.250	A	471466A	47
1.457	1.465	.236				1.124	1.128	.250	N	* 471466N	47
37,80	38,00	10,00	S	* 15X38X10★	32	1.124	1.128	.250	V	471466V	47
1.488	1.496	.394				1.124	1.128	.250	S	* 481466	48
38,00	38,20	7,00	S	* 15X38X7★	32	1.124	1.128	.250	V	* 481466V	48
1.496	1.504	.276				1.124	1.128	.312	S	* 410791	41
39,80	40,00	8,00	S	* 15X40X8★	32	1.124	1.128	.312	V	410791V	41
1.567	1.575	.315				1.124	1.128	.312	S	* 450791	45
39,80	40,00	10,00	S	* 15X40X10★	32	1.124	1.128	.312	V	* 450791V	45
1.567	1.575	.394				1.124	1.128	.312	S	* 470791	47
40,00	40,20	7,00	S	15X40X7★	32	1.124	1.128	.312	H	* 470791H	47
1.575	1.583	.276				1.124	1.128	.312	N	* 470791N	47
41,80	42,00	7,00	S	* 15X42X7★	32	1.124	1.128	.312	S	* 480791	48
1.646	1.654	.276				1.124	1.128	.375	L	* 50009	5L
41,80	42,00	8,00	S	* 15X42X8★	32	1.124	1.128	.375	S	* 410009	41
1.646	1.654	.315				1.124	1.128	.375	N	* 410009N	41
41,80	42,00	10,00	S	* 15X42X10★	32	1.124	1.128	.375	S	* 450009	45
1.646	1.654	.394				1.124	1.128	.375	V	* 450009V	45
1.646	1.654	.315				1.124	1.128	.375	S	* 470009	47
41,80	42,00	10,00	S	* 15X42X10★	32	1.124	1.128	.375	N	* 470009N	47
1.646	1.654	.394				1.124	1.128	.375	S	* 480009	48
.593" (19/32") SHAFT						1.124	1.128	.375	S	712017	#
-	-	.197		99059	Redi-Sleeve						
.935	.943	.175	S	340797	34						
1.000	1.008	.203	S	* 712128	32						
1.124	1.128	.312	S	471532	47						
1.124	1.128	.375	S	* 450008	45						
1.250	1.254	.312	S	473405	47						
1.250	1.254	.375	S	* 450017	45						
1.250	1.254	.375	V	* 450017V	45						
1.375	1.379	.250	S	* 481552	48						
1.375	1.379	.312	S	471558	47						
1.375	1.379	.406	S	* 450022	45						

SIZE SECTION

For Illustration and Material Data See Technical Section

Designed For A Specific Application - Not Recommended For General Use

* The U.S. customer service number is 877-4-TIMKEN. The Canadian customer service numbers are 800-565-4927 (English) and 800-565-0438 (French-Canadian). ★ Metric Seal

Hsg. Bore	Seal O.D.	Seal Width	Lip Mat'l	Part No.	Type/ Illus.	Hsg. Bore	Seal O.D.	Seal Width	Lip Mat'l	Part No.	Type/ Illus.
.625" (5/8") SHAFT (cont.)						16,00mm (.630") SHAFT (cont.)					
1.124	1.128	.375	S	712024	#	21,80	22,00	7,00	S	*16X22X7★	32
1.124	1.128	.531	V	*3074V	49	.858	.866	.276			
1.124	1.129	.250	V	*3757V	35	22,00	22,20	4,00	S	16X22X4★	32
1.124	1.130	.250	S	340009S	34	.866	.874	.157			
1.124	1.130	.250	S	351466	35	23,80	24,00	4,00	S	*16X24X4★	32
1.124	1.135	.175	S	240009	24	.937	.945	.157			
1.124	1.135	.175	S	*240791	24	24,00	24,20	6,00	S	16X24X6★	32
1.124	1.135	.175	N	*240791N	24	.945	.953	.236			
1.181	1.185	.350	V	*471291V	47	24,00	24,20	7,00	S	16X24X7★	32
1.246	1.250	.375	S	450535	45	.945	.953	.276			
1.246	1.250	.375	S	*480535	48	24,80	25,00	5,00	S	*16X25X5★	32
1.250	1.254	.250	V	471264V	47	.976	.984	.197			
1.250	1.254	.250	S	41264S	4S	24,80	25,00	6,00	S	*16X25X6★	32
1.250	1.254	.250	S	471264	47	.976	.984	.236			
1.250	1.254	.250	A	471264A	47	24,80	25,00	7,00	S	*16X25X7★	32
1.250	1.254	.250	S	*481264	48	.976	.984	.276			
1.250	1.254	.375	S	*410018	41	25,00	25,20	5,00	S	16X24X5★	35
1.250	1.254	.375	S	*450018	45	.984	.992	.197			
1.250	1.254	.375	S	470018	47	25,80	26,00	5,00	S	*16X26X5★	32
1.250	1.254	.375	S	*480018	48	1.016	1.024	.197			
1.375	1.379	.250	S	*40023S	4S	25,80	26,00	6,00	S	*16X26X6★	32
1.375	1.379	.250	S	471255	47	1.016	1.024	.236			
1.375	1.379	.250	A	471255A	47	25,80	26,00	6,00	S	*16X26X6★	32
1.375	1.379	.250	V	471255V	47	1.016	1.024	.236			
1.375	1.379	.250	S	*481255	48	26,00	26,10	7,00	S	710243★	25
1.375	1.379	.250	V	*481255V	48	1.024	1.028	.276			
1.375	1.379	.312	S	*411324	41	26,00	26,20	7,00	S	16X26X7★	32
1.375	1.379	.312	S	*451324	45	1.024	1.031	.276			
1.375	1.379	.312	S	*471324	47	26,80	27,00	7,00	S	*16X27X7★	32
1.375	1.379	.312	S	*481324	48	1.055	1.063	.276			
1.375	1.379	.406	S	*410023	41	27,00	27,20	14,00	N	221607★	#
1.375	1.379	.406	S	*450023	45	1.063	1.071	.551			
1.375	1.379	.406	H	*450023H	45	27,23	27,33	9,00	V	*4662V★	47
1.375	1.379	.406	S	470023	47	1.072	1.076	.354			
1.375	1.379	.406	S	*480023	48	27,23	27,33	9,00	V	714662★	47
1.375	1.381	.250	S	351255	35	1.072	1.076	.354			
1.375	1.385	.175	S	240023	24	28,00	28,20	7,00	V	*16X28X7V★	32
1.377	1.381	.406	S	*450557	45	1.102	1.110	.276			
1.377	1.381	.406	S	470557	47	28,00	28,23	7,00	N	221610★	32
1.499	1.503	.250	S	471564	47	1.102	1.111	.276			
1.499	1.503	.250	S	*481564	48	28,00	28,23	7,00	S	16X28X7★	32
1.499	1.503	.312	S	*411577	41	1.102	1.111	.276			
1.499	1.503	.312	S	*451577	45	28,30	28,50	8,00	S	*16X28.5X8★	32
1.499	1.503	.312	S	*471577	47	1.114	1.122	.315			
1.499	1.503	.312	S	*481577	48	28,80	29,00	7,00	S	*16X29X7★	32
1.499	1.503	.390	S	*410975	41	1.134	1.142	.276			
1.499	1.503	.390	S	*450975	45	29,80	30,00	4,50	S	*16X30X4.5★	32
1.499	1.503	.390	S	*470975	47	1.173	1.181	.177			
1.499	1.503	.390	S	*480975	48	29,80	30,00	5,00	S	*16X30X5★	32
1.575	1.579	.312	S	471612	47	1.173	1.181	.197			
1.575	1.579	.312	S	*481612	48	29,80	30,00	6,00	S	*16X30X6★	32
1.624	1.628	.312	S	*411653	41	1.173	1.181	.236			
1.624	1.628	.312	S	471653	47	29,80	30,00	8,00	S	*16X30X8★	32
1.624	1.628	.437	S	*411024	41	1.173	1.181	.315			
1.624	1.628	.437	S	*451024	45	29,80	30,00	10,00	S	*16X30X10★	32
1.624	1.628	.437	S	471024	47	1.173	1.181	.394			
1.624	1.628	.437	S	*481024	48	30,00	30,20	7,00	V	*16X30X7V★	35
1.624	1.628	.489	S	*472207	47	1.181	1.189	.276			
1.625	1.629	.250	S	484114	48	30,00	30,23	7,00	S	221620★	35
1.687	1.691	.750	N	*712132	#	1.181	1.190	.276			
1.752	1.756	.312	S	*471695	47	30,00	30,23	7,00	S	16X30X7★	32
2.047	2.051	.312	S	*472137	47	1.181	1.190	.276			
2.441	2.445	.375	S	*472146	47	31,80	32,00	10,00	S	*16X32X10★	32
16,00mm (.630") SHAFT						1.252	1.260	.394			
-	-	-	S	800160	VRS1	32,00	32,28	7,00	S	16X32X7★	32
-	-	-	V	800164	VRS1	1.260	1.271	.276			
-	-	.313	S	99058		33,80	34,00	4,00	S	*16X34X4★	32
20,80	21,00	6,00	S	*16X21X6★	32	1.331	1.339	.157			
.819	.827	.236				34,80	35,00	8,00	S	*16X35X8★	32
						1.370	1.378	.315			
						34,80	35,00	10,00	S	*16X35X10★	32
						1.370	1.378	.394			

For Illustration and Material Data See Technical Section

Designed For A Specific Application - Not Recommended For General Use

* The U.S. customer service number is 877-4-TIMKEN. The Canadian customer service numbers are 800-565-4927 (English) and 800-565-0438 (French-Canadian). ★ Metric Seal

Size Section

Hsg. Bore	Seal O.D.	Seal Width	Lip Mat'l	Part No.	Type/ Illus.	Hsg. Bore	Seal O.D.	Seal Width	Lip Mat'l	Part No.	Type/ Illus.
16,00mm (.630") SHAFT (cont.)						17,00mm (.669") SHAFT (cont.)					
35,00	35,23	7,00	S	16X35X7★	32	24,80	25,00	7,00	S	*17X25X7★	32
1.378	1.387	.276				.976	.984	.276			
36,00	36,20	7,00	S	*16X36X7★	32	25,00	25,10	5,00	S	710362★	49
1.417	1.425	.276				.984	.988	.197			
36,80	37,00	7,00	S	*16X37X7★	32	25,80	26,00	6,00	S	*17X26X6★	32
1.449	1.457	.276				1.016	1.024	.236			
37,80	38,00	8,00	S	*16X38X8★	32	25,80	26,00	7,00	S	*17X26X7★	32
1.488	1.496	.315				1.016	1.024	.276			
38,00	38,20	7,00	S	16X38X7★	32	26,80	27,00	5,00	S	*17X27X5★	32
1.496	1.504	.276				1.055	1.063	.197			
39,80	40,00	10,00	S	*16X40X10★	32	26,80	27,00	8,00	S	*17X27X8★	32
1.567	1.575	.394				1.055	1.063	.315			
40,00	40,20	7,00	S	16X40X7★	32	26,80	27,00	10,00	S	*17X27X10★	32
1.575	1.583	.276				1.055	1.063	.394			
44,75	44,96	9,00	V	*4616V★	#	27,00	27,20	7,00	S	17X27X7★	32
1.762	1.770	.354				1.063	1.071	.276			
44,75	44,96	9,00	V	714616★	#	27,80	28,00	4,50	S	*17X28X4.5★	32
1.762	1.770	.354				1.094	1.102	.177			
56,00	56,20	6,50	V	710261★➔	32	27,80	28,00	5,00	S	*17X28X5★	32
2.205	2.213	.256				1.094	1.102	.197			
.634" SHAFT						.668" SHAFT					
-	-	-	S	800160	VRS1	27,80	28,00	6,00	S	*17X28X6★	32
-	-	-	V	800164	VRS1	1.094	1.102	.236			
1.246	1.255	.300	T	*100459T	#	27,80	28,00	8,00	S	*17X28X8★	32
16,40mm (.646") SHAFT						17,00mm (.669") SHAFT					
29,80	30,00	5,00	S	*16.4X30X5★	32	1.094	1.102	.315			
1.173	1.181	.197				28,00	28,20	7,00	V	*17X28X7V★	35
.656" (21/32") SHAFT						.668" SHAFT					
-	-	-	S	800160	VRS1	1.102	1.111	.276			
-	-	-	V	800164	VRS1	28,00	28,20	7,00	S	221710★	35
1.124	1.128	.250	S	481528	48	1.102	1.111	.276			
1.125	1.129	.375	S	*451096	45	28,00	28,20	7,00	S	17X28X7★	35
1.125	1.129	.375	H	*451096H	45	1.102	1.111	.276			
1.250	1.254	.250	S	481537	48	28,30	28,50	7,00	S	*17X28.5X7★	32
1.250	1.254	.375	S	*450469	45	1.114	1.122	.276			
1.250	1.258	.250	S	340469	34	28,80	29,00	5,00	S	*17X29X5★	32
1.250	1.258	.250	N	*340469N	34	1.134	1.142	.197			
1.375	1.379	.250	S	481073	48	29,00	29,20	7,00	S	*17X29X7★	32
1.375	1.379	.312	S	*450649	45	1.142	1.150	.276			
1.375	1.379	.406	S	*450024	45	29,80	30,00	5,00	S	*17X30X5★	32
1.561	1.565	.250	S	*481592	48	1.173	1.181	.197			
1.575	1.579	.250	S	481397	48	29,80	30,00	6,00	S	*17X30X6★	32
1.575	1.579	.312	H	*481436H	48	1.173	1.181	.236			
1.575	1.579	.375	S	*450780	45	29,80	30,00	6,00	S	*17X30X6★	32
1.752	1.756	.250	S	*481682	48	1.173	1.181	.315			
.668" SHAFT						.668" SHAFT					
-	-	-	S	800160	VRS1	29,80	30,00	10,00	S	*17X30X10★	32
-	-	-	V	800164	VRS1	1.173	1.181	.394			
-	-	.315		99068	Redi-Sleeve	30,00	30,20	7,00	V	*17X30X7V★	35
1.187	1.191	.185	S	481481	48	1.181	1.189	.276			
17,00mm (.669") SHAFT						17,00mm (.669") SHAFT					
-	-	-	S	800160	VRS1	30,00	30,20	8,00	S	221720★	32
-	-	-	V	800164	VRS1	1.181	1.190	.276			
-	-	.315		99068	Redi-Sleeve	30,00	30,23	8,00	S	221720★	32
20,80	20,90	3,10	S	710361★	44	1.181	1.190	.276			
.819	.823	.122				30,80	31,00	7,00	S	17X30X7★	32
23,80	24,00	7,00	S	*17X24X7★	32	1.212	1.220	.276			
.937	.945	.276				30,80	31,00	8,00	S	*17X31X8★	32
24,80	25,00	4,00	S	*17X25X4★	32	1.212	1.220	.315			
.976	.984	.157				31,55	31,75	8,00	S	*17X31.75X8★	32
24,80	25,00	6,00	S	*17X25X6★	32	1.242	1.250	.315			
.976	.984	.236				31,80	32,00	5,00	S	*17X32X5★	32
17,00mm (.669") SHAFT						17,00mm (.669") SHAFT					
-	-	-	S	800160	VRS1	31,80	32,00	6,00	S	*17X32X6★	32
-	-	-	V	800164	VRS1	1.252	1.260	.197			
-	-	.315		99068	Redi-Sleeve	31,80	32,00	8,00	S	*17X32X8★	32
20,80	20,90	3,10	S	710361★	44	1.252	1.260	.315			
.819	.823	.122				32,00	32,22	7,00	S	221730★	35
23,80	24,00	7,00	S	*17X24X7★	32	1.260	1.269	.276			
.937	.945	.276				32,00	32,22	7,00	S	17X32X7★	32
24,80	25,00	4,00	S	*17X25X4★	32	1.260	1.269	.276			
.976	.984	.157				32,80	33,00	7,00	S	*17X33X7★	32
24,80	25,00	6,00	S	*17X25X6★	32	1.291	1.299	.276			
.976	.984	.236				33,80	34,00	4,00	S	*17X34X4★	32
17,00mm (.669") SHAFT						17,00mm (.669") SHAFT					
-	-	-	S	800160	VRS1	1.331	1.339	.157			
-	-	-	V	800164	VRS1						
-	-	.315		99068	Redi-Sleeve						

For Illustration and Material Data See Technical Section

Designed For A Specific Application - Not Recommended For General Use ➔ Hydrodynamic Lip Design-CW

* The U.S. customer service number is 877-4-TIMKEN. The Canadian customer service numbers are 800-565-4927 (English) and 800-565-0438 (French-Canadian). ★ Metric Seal

Hsg. Bore	Seal O.D.	Seal Width	Lip Mat'l	Part No.	Type/ Illus.	Hsg. Bore	Seal O.D.	Seal Width	Lip Mat'l	Part No.	Type/ Illus.
17,00mm (.669") SHAFT (cont.)						.687" (11/16") SHAFT (cont.)					
33,80	34,00	7,00	S	* 17X34X7★	32	1.125	1.129	.312	S	* 471297	47
1.331	1.339	.276				1.125	1.129	.312	N	* 471297N	47
34,00	34,10	7,90	N	710251★	47	1.187	1.191	.187	S	* 474261	47
1.339	1.343	.311				1.250	1.254	.250	S	8773S➔	25
34,30	34,50	4,00	S	* 17X34.5X4★	32	1.250	1.254	.250	S	* 471538	47
1.350	1.358	.157				1.250	1.254	.250	S	481538	48
34,80	35,00	6,00	S	* 17X35X6★	32	1.250	1.254	.250	V	* 481538V	48
1.370	1.378	.236				1.250	1.254	.375	S	* 410355	41
34,80	35,00	10,00	S	* 17X35X10★	32	1.250	1.254	.375	S	* 450355	45
1.370	1.378	.394				1.250	1.254	.375	S	* 470355	47
35,00	35,18	7,00	S	17X35X7★	35	1.250	1.254	.375	S	* 480355	48
1.378	1.385	.276				1.375	1.379	.250	S	* 471553	47
35,00	35,18	7,00	S	221735★	35	1.375	1.379	.250	S	* 481553	48
1.378	1.385	.276				1.375	1.379	.312	S	* 451559	45
35,00	35,20	7,00	V	* 17X35X7V★	35	1.375	1.379	.312	S	* 471559	47
1.378	1.386	.276				1.375	1.379	.406	S	* 410025	41
35,00	35,20	8,00	S	17X35X8★	35	1.375	1.379	.406	S	450025	45
1.378	1.386	.315				1.375	1.379	.406	S	470025	47
36,00	36,20	7,00	S	* 17X36X7★	32	1.375	1.379	.406	S	* 480025	48
1.417	1.425	.276				1.499	1.503	.312	S	* 471579	47
36,80	37,00	10,00	S	* 17X37X10★	32	1.499	1.503	.312	S	* 481579	48
1.449	1.457	.394				1.499	1.503	.390	S	* 410205	41
37,00	37,20	7,00	S	17X37X7★	32	1.499	1.503	.390	S	* 450205	45
1.457	1.465	.276				1.499	1.503	.390	N	* 450205N	45
37,80	38,00	10,00	S	* 17X38X10★	32	1.499	1.503	.390	S	* 470205	47
1.488	1.496	.394				1.499	1.503	.390	S	* 480205	48
38,00	38,20	7,00	S	17X38X7★	32	1.624	1.628	.250	S	* 471642	47
1.496	1.504	.276				17,50mm (.689") SHAFT					
39,80	40,00	5,00	S	* 17X40X5★	32	—	—	—	S	800160	VRS1
1.567	1.575	.197				—	—	—	V	800164	VRS1
39,80	40,00	8,00	S	* 17X40X8★	32	27,50	27,70	7,00	N	710299★	#
1.567	1.575	.315				1.083	1.091	.276			
39,80	40,00	10,00	S	* 17X40X10★	32	31,80	32,00	6,00	S	* 17.5X32X6★	32
1.567	1.575	.394				1.252	1.260	.236			
40,00	40,23	7,00	S	17X40X7★	32	.690" SHAFT					
1.575	1.584	.276				—	—	—	S	800160	VRS1
42,00	42,20	7,00	S	* 17X42X7★	32	—	—	—	V	800164	VRS1
1.654	1.661	.276				.997	1.003	.295	S	3667&	271
45,00	45,20	7,00	S	* 17X45X7★	32	17,60mm (.693") SHAFT					
1.772	1.780	.276				29,80	30,00	7,00	S	* 17.6X30X7★	32
45,80	46,00	6,00	S	* 17X46X6★	32	1.173	1.181	.276			
1.803	1.811	.236				.697" SHAFT					
46,00	46,20	7,00	S	* 17X46X7★	32	1.220	1.227	.204	V	* 320242	32
1.811	1.819	.276				.701" SHAFT					
46,80	47,00	10,00	S	* 17X47X10★	32	1.160	1.164	.250	S	331173	33
1.842	1.850	.394				18,00mm (.709") SHAFT					
47,00	47,20	7,00	S	17X47X7★	35	—	—	.315	* 99082	Redi-Sleeve	
1.850	1.858	.276				23,00	23,20	4,00	S	710297★	34
47,00	47,20	8,00	S	17X47X8★	32	.906	.913	.157			
1.850	1.858	.315				24,80	25,00	7,00	S	* 18X25X7★	32
17,40mm (.685") SHAFT						1.124	1.128	.250	S	* 481529	48
—	—	—	S	800160	VRS1	1.124	1.128	.250	N	* 481529N	48
—	—	—	V	800164	VRS1	1.124	1.128	.312	S	* 451297	45
—	—	.313	S	99060	Redi-Sleeve	1.124	1.128	.375	S	* 410137	41
30,00	30,20	7,00	S	710344★	32	1.124	1.128	.375	S	* 450137	45
1.181	1.189	.276				1.124	1.128	.375	S	* 470137	47
.687" (11/16") SHAFT						1.124	1.128	.375	S	* 480137	48
—	—	—	S	800160	VRS1	1.125	1.129	.312	S	* 411297	41
—	—	—	V	800164	VRS1	18,00mm (.709") SHAFT					
1.124	1.128	.250	S	* 471529	47	—	—	.315	* 99082	Redi-Sleeve	
1.124	1.128	.250	S	* 481529	48	23,00	23,20	4,00	S	710297★	34
1.124	1.128	.250	N	* 481529N	48	.906	.913	.157			
1.124	1.128	.312	S	* 451297	45	24,80	25,00	7,00	S	* 18X25X7★	32
1.124	1.128	.375	S	* 410137	41	.976	.984	.276			
1.124	1.128	.375	S	* 450137	45	25,80	26,00	7,00	S	* 18X26X7★	32
1.124	1.128	.375	S	* 470137	47	1.016	1.024	.276			
1.124	1.128	.375	S	* 480137	48	26,00	26,10	4,00	S	710222★	98
1.125	1.129	.312	S	* 411297	41	1.024	1.028	.157			
17,00mm (.669") SHAFT (cont.)						26,80	27,00	7,00	S	* 18X27X7★	32
33,80	34,00	7,00	S	* 17X34X7★	32	1.055	1.063	.276			
1.331	1.339	.276				27,80	28,00	7,00	S	* 18X28X7★	32
34,00	34,10	7,90	N	710251★	47	1.094	1.102	.276			
1.339	1.343	.311				17,50mm (.689") SHAFT					
34,30	34,50	4,00	S	* 17X34.5X4★	32	—	—	—	S	800160	VRS1
1.350	1.358	.157				—	—	—	V	800164	VRS1
34,80	35,00	6,00	S	* 17X35X6★	32	27,50	27,70	7,00	N	710299★	#
1.370	1.378	.236				1.083	1.091	.276			
34,80	35,00	10,00	S	* 17X35X10★	32	31,80	32,00	6,00	S	* 17.5X32X6★	32
1.370	1.378	.394				1.252	1.260	.236			
35,00	35,18	7,00	S	17X35X7★	35	.690" SHAFT					
1.378	1.385	.276				—	—	—	S	800160	VRS1
35,00	35,18	7,00	S	221735★	35	—	—	—	V	800164	VRS1
1.378	1.385	.276				.997	1.003	.295	S	3667&	271
35,00	35,20	7,00	V	* 17X35X7V★	35	17,60mm (.693") SHAFT					
1.378	1.386	.276				29,80	30,00	7,00	S	* 17.6X30X7★	32
35,00	35,20	8,00	S	17X35X8★	35	1.173	1.181	.276			
1.378	1.386	.315				.697" SHAFT					
36,00	36,20	7,00	S	* 17X36X7★	32	1.220	1.227	.204	V	* 320242	32
1.417	1.425	.276				.701" SHAFT					
36,80	37,00	10,00	S	* 17X37X10★	32	1.160	1.164	.250	S	331173	33
1.449	1.457	.394				18,00mm (.709") SHAFT					
37,00	37,20	7,00	S	17X37X7★	32	—	—	.315	* 99082	Redi-Sleeve	
1.457	1.465	.276				23,00	23,20	4,00	S	710297★	34
37,80	38,00	10,00	S	* 17X38X10★	32	.906	.913	.157			
1.488	1.496	.394				24,80	25,00	7,00	S	* 18X25X7★	32
38,00	38,20	7,00	S	17X38X7★	32	.976	.984	.276			
1.496	1.504	.276				25,80	26,00	7,00	S	* 18X26X7★	32
39,80	40,00	5,00	S	* 17X40X5★	32	1.016	1.024	.276			
1.567	1.575	.197				26,00	26,10	4,00	S	710222★	98
39,80	40,00	8,00	S	* 17X40X8★	32	1.024	1.028	.157			
1.567	1.575	.315				26,80	27,00	7,00	S	* 18X27X7★	32
39,80	40,00	10,00	S	* 17X40X10★	32	1.055	1.063	.276			
1.567	1.575	.394				27,80	28,00	7,00	S	* 18X28X7★	32
40,00	40,23	7,00	S	17X40X7★	32	1.094	1.102	.276			
1.575	1.584	.276				17,00mm (.669") SHAFT (cont.)					
42,00	42,20	7,00	S	* 17X42X7★	32	33,80	34,00	7,00	S	* 17X34X7★	32
1.654	1.661	.276				1.331	1.339	.276			
45,00	45,20	7,00	S	* 17X45X7★	32	34,00					

Size Section

Hsg. Bore	Seal O.D.	Seal Width	Lip Mat'l	Part No.	Type/ Illus.	Hsg. Bore	Seal O.D.	Seal Width	Lip Mat'l	Part No.	Type/ Illus.
18,00mm (.709") SHAFT (cont.)						18,00mm (.709") SHAFT (cont.)					
27,80	28,00	8,00	S	*18X28X8★	32	40,00	40,22	7,00	S	18X40X7★	32
1.094	1.102	.315				1.575	1.583	.276			
27,80	28,00	10,00	S	*18X28X10★	32	40,00	40,20	7,00	V	*18X40X7V★	35
1.094	1.102	.394				1.575	1.583	.276			
28,00	28,20	6,00	S	1015★	35	41,80	42,00	7,00	S	*18X42X7★	32
1.102	1.110	.236				1.646	1.654	.276			
28,00	28,20	6,00	S	1015N★	35	41,80	42,00	10,00	S	*18X42X10★	32
1.102	1.110	.236				1.646	1.654	.394			
28,00	28,20	6,00	N	*4400★	34	.718" SHAFT					
1.102	1.110	.236				1.250	1.254	.375	L	*50506	5L
28,00	28,20	7,00	V	*18X28X7V★	35	1.250	1.254	.375	S	470506	47
1.102	1.110	.276				.735" SHAFT					
28,00	28,28	6,00	S	18X28X6★	32	1.248	1.252	.250	S	472878	47
1.102	1.110	.236				18,70mm (.736") SHAFT					
28,80	29,00	7,00	S	*18X29X7★	32	35,00	35,20	7,00	N	710272★	32
1.134	1.142	.276				1.378	1.386	.276			
29,80	30,00	6,00	S	*18X30X6★	32	.737" SHAFT					
1.173	1.181	.236				1.375	1.379	.343	S	473416	47
29,80	30,00	6,00	S	*18X30X6★	32	1.375	1.382	.312	S	*3802	#
1.173	1.181	.236				.739" SHAFT					
29,80	30,00	8,00	S	*18X30X8★	32	1.250	1.254	.407	S	*4084	#
1.173	1.181	.315				.742" SHAFT					
29,80	30,00	10,00	S	*18X30X10★	32	1.063	1.067	.187	S	7929S	33
1.173	1.181	.394				19,00mm (.748") SHAFT					
30,00	30,10	6,70	S	3816★&	271	-	-	.313		99076	Redi-Sleeve
1.181	1.185	.264				-	-	.375		99075	Redi-Sleeve
30,00	30,23	7,00	S	18X30X7★	32	24,80	25,00	6,00	S	*19X25X6★	32
1.181	1.190	.276				.976	.984	.236			
30,00	30,23	9,00	S	221820★➔	32	26,80	27,00	5,00	S	*19X27X5★	32
1.181	1.190	.354				1.055	1.063	.197			
30,80	31,00	7,00	S	*18X31X7★	32	26,80	27,00	10,00	S	*19X27X10★	32
1.212	1.220	.276				1.055	1.063	.394			
31,80	32,00	6,00	S	*18X32X6★	32	27,00	27,20	6,00	S	19X27X6★	35
1.252	1.260	.236				1.063	1.071	.236			
31,80	32,00	10,00	S	*18X32X10★	32	27,80	28,00	7,00	S	*19X28X7★	32
1.252	1.260	.394				1.094	1.102	.276			
32,00	32,10	7,00	S	710156★	#	28,80	29,00	7,00	S	*19X29X7★	32
1.260	1.264	.276				1.134	1.142	.276			
32,00	32,20	7,00	S	18X32X7★	35	30,00	30,20	7,00	S	19X30X7★	32
1.260	1.268	.276				1.181	1.189	.276			
32,00	32,20	7,00	V	*18X32X7V★	35	30,00	30,20	7,00	S	221920★	32
1.260	1.268	.276				1.181	1.189	.276			
32,00	32,22	8,00	S	221830★	35	31,80	32,00	5,00	S	*19X32X5★	32
1.260	1.269	.315				1.252	1.260	.197			
32,00	32,22	8,00	S	18X32X8★	32	31,80	32,00	6,00	S	*19X32X6★	32
1.260	1.269	.315				1.252	1.260	.236			
32,00	32,23	12,70	N	*4401★	#	31,80	32,00	10,00	S	*19X32X10★	32
1.260	1.269	.500				1.252	1.260	.394			
33,80	34,00	7,00	S	*18X34X7★	32	32,00	32,20	7,00	S	19X32X7★	35
1.331	1.339	.276				1.260	1.268	.276			
34,00	34,20	8,00	S	710412★	32	32,00	32,20	8,00	S	19X32X8★	32
1.339	1.346	.315				1.260	1.268	.315			
34,80	35,00	8,00	S	*18X35X8★	32	32,00	32,20	8,00	S	221922★	32
1.370	1.378	.315				1.260	1.268	.315			
34,80	35,00	10,00	S	*18X35X10★	32	32,80	33,00	8,00	S	*19X33X8★	32
1.370	1.378	.394				1.291	1.299	.315			
35,00	35,18	7,00	S	18X35X7★	32	33,30	33,50	7,00	S	*19X33.5X7★	32
1.378	1.385	.276				1.311	1.319	.276			
35,00	35,20	8,00	V	*18X35X8V★	35						
1.378	1.386	.315									
36,00	36,20	7,00	S	*18X36X7★	32						
1.417	1.425	.276									
36,80	37,00	7,00	S	*18X37X7★	32						
1.449	1.457	.276									
37,00	37,20	8,00	S	18X37X8★	32						
1.457	1.465	.315									
37,80	38,00	10,00	S	*18X38X10★	32						
1.488	1.496	.394									
38,00	38,20	7,00	S	18X38X7★	32						
1.496	1.504	.276									
39,80	40,00	10,00	S	*18X40X10★	32						
1.567	1.575	.394									

SIZE SECTION

For Illustration and Material Data See Technical Section

Designed For A Specific Application - Not Recommended For General Use ➔ Hydrodynamic Lip Design-CW & Flanged O.D.

* The U.S. customer service number is 877-4-TIMKEN. The Canadian customer service numbers are 800-565-4927 (English) and 800-565-0438 (French-Canadian). ★ Metric Seal

Hsg. Bore	Seal O.D.	Seal Width	Lip Mat'l	Part No.	Type/ Illus.	Hsg. Bore	Seal O.D.	Seal Width	Lip Mat'l	Part No.	Type/ Illus.
19,00mm (.748") SHAFT (cont.)						.750" (3/4") SHAFT (cont.)					
33,80	34,00	7,00	S	* 19X34X7★	32	1.250	1.254	.250	N	* 480954N	48
1.331	1.339	.276				1.250	1.254	.250	V	480954V	48
34,80	35,00	7,00	S	* 19X35X7★	32	1.250	1.254	.250	S	712027	#
1.370	1.378	.276				1.250	1.254	.280	S	2287	274
34,80	35,00	8,00	S	* 19X35X8★	32	1.250	1.254	.312	S	6835S	33
1.370	1.378	.315				1.250	1.254	.375	S	* 410141	41
34,93	35,00	8,00	S	710445★	35	1.250	1.254	.375	S	* 450141	45
1.375	1.378	.315				1.250	1.254	.375	V	* 450141V	45
35,00	35,23	10,00	S	19X35X10★	32	1.250	1.254	.375	S	470141	47
1.378	1.387	.394				1.250	1.254	.375	S	* 480141	48
35,00	35,23	10,00	S	710273★	35	1.250	1.254	.375	H	* 480141H	48
1.378	1.387	.394				1.250	1.254	.375	S	712014	#
35,80	36,00	7,00	S	* 19X36X7★	32	1.250	1.254	.437	S	* 3075	282
1.409	1.417	.276				1.250	1.255	.275	S	* 473571	47
36,00	36,23	6,50	S	221925★	35	1.250	1.256	.250	S	350954	35
1.417	1.426	.256				1.250	1.258	.312	S	350679	35
36,80	37,00	10,00	S	* 19X37X10★	32	1.263	1.267	.250	S	* 472129	47
1.449	1.457	.394				1.302	1.306	.250	S	474131	47
37,00	37,20	7,00	S	* 19X37X7★	32	1.311	1.315	.312	S	* 252450	25
1.457	1.465	.276				1.311	1.315	.312	S	7013S	25
37,80	38,00	8,00	S	* 19X38X8★	32	1.312	1.316	.250	S	480821	48
1.488	1.496	.315				1.375	1.379	.250	S	40027S	4S
37,80	38,00	10,00	S	* 19X38X10★	32	1.375	1.379	.250	S	471554	47
1.488	1.496	.394				1.375	1.379	.250	A	471554A	47
38,00	38,20	7,00	S	* 19X38X7★	32	1.375	1.379	.250	N	* 471554N	47
1.496	1.504	.276				1.375	1.379	.250	V	471554V	47
38,00	38,20	7,00	S	710154★	32	1.375	1.379	.250	S	* 481554	48
1.496	1.504	.276				1.375	1.379	.250	N	* 481554N	48
1.499	1.504	.312	S	* 2855	#	1.375	1.379	.250	V	* 481554V	48
39,80	40,00	7,00	S	* 19X40X7★	32	1.375	1.379	.312	S	7028	25
1.567	1.575	.276				1.375	1.379	.312	V	* 7028V	25
40,00	40,23	10,00	S	19X40X10★	35	1.375	1.379	.312	S	* 410895	41
1.575	1.584	.394				1.375	1.379	.312	S	* 450895	45
40,80	41,00	7,00	S	* 19X41X7★	32	1.375	1.379	.312	V	* 450895V	45
1.606	1.614	.276				1.375	1.379	.312	S	470895	47
42,00	42,20	7,00	S	* 19X42X7★	32	1.375	1.379	.312	S	* 480895	48
1.654	1.661	.276				1.375	1.379	.406	V	* 50027	5L
45,00	45,20	7,00	S	* 19X45X7★	32	1.375	1.379	.406	S	* 410027	41
1.772	1.780	.276				1.375	1.379	.406	S	* 450027	45
46,00	46,20	7,00	S	* 19X46X7★	32	1.375	1.379	.406	H	* 450027H	45
1.811	1.819	.276				1.375	1.379	.406	N	* 450027N	45
47,00	47,20	7,00	S	19X47X7★	32	1.375	1.379	.406	S	470027	47
1.850	1.858	.276				1.375	1.379	.406	S	* 480027	48
47,63	47,73	6,35	S	* 43361★	4S	1.375	1.379	.406	H	* 480027H	48
1.875	1.879	.250				1.375	1.379	.500	S	* 73289S	7S
						1.499	1.503	.250	S	471567	47
						1.499	1.503	.250	S	* 481567	48
			S	800200	VRS1	1.499	1.503	.312	S	* 411580	41
			V	800204	VRS1	1.499	1.503	.312	S	* 451580	45
		.313		99076	Redi-Sleeve	1.499	1.503	.312	H	* 451580H	45
		.375		99075	Redi-Sleeve	1.499	1.503	.312	S	* 471580	47
						1.499	1.503	.312	S	* 481580	48
.999	1.010	.156	S	240735	24	1.499	1.503	.390	S	* 410028	41
1.000	1.004	.125	S	727410	44	1.499	1.503	.390	S	* 450028	45
1.000	1.005	.125	S	312518	31	1.499	1.503	.390	S	* 470028	47
1.000	1.005	.125	S	342518	34	1.499	1.503	.390	S	* 480028	48
1.031	1.035	.313	S	7214	49	1.561	1.565	.375	S	* 410340	41
1.062	1.072	.187	S	240816	24	1.561	1.565	.375	S	450340	45
1.124	1.128	.188	S	7750	48	1.561	1.565	.375	S	470340	47
1.124	1.129	.187	S	254270	25	1.561	1.565	.375	S	* 480340	48
1.124	1.133	.250	S	340495	34	1.575	1.579	.312	H	* 471498H	47
1.125	1.129	.250	S	1049	33	1.575	1.579	.375	S	* 410580	41
1.125	1.131	.156	S	343185	34	1.575	1.579	.375	S	* 450580	45
1.187	1.191	.156	S	* 313043	31	1.624	1.628	.250	S	471643	47
1.250	1.254	.250	S	41389S	4S	1.624	1.628	.250	S	* 481643	48
1.250	1.254	.250	S	470954	47	1.624	1.628	.312	S	* 411656	41
1.250	1.254	.250	A	470954A	47	1.624	1.628	.312	S	* 451656	45
1.250	1.254	.250	H	* 470954H	47	1.624	1.628	.312	S	* 471656	47
1.250	1.254	.250	N	* 470954N	47	1.624	1.628	.312	H	* 471656H	47
1.250	1.254	.250	V	470954V	47	1.624	1.628	.312	S	* 481656	48
1.250	1.254	.250	S	480954	48	1.624	1.628	.312	V	* 481656V	48

For Illustration and Material Data See Technical Section

Designed For A Specific Application - Not Recommended For General Use

* The U.S. customer service number is 877-4-TIMKEN. The Canadian customer service numbers are 800-565-4927 (English) and 800-565-0438 (French-Canadian). ★ Metric Seal

Size Section

Hsg. Bore	Seal O.D.	Seal Width	Lip Mat'l	Part No.	Type/ Illus.	Hsg. Bore	Seal O.D.	Seal Width	Lip Mat'l	Part No.	Type/ Illus.
.750" (3/4") SHAFT (cont.)						.781" (25/32") SHAFT (cont.)					
1.624	1.628	.437	S	*410211	41	1.499	1.503	.250	S	481568	48
1.624	1.628	.437	S	*450211	45	1.499	1.503	.312	S	*451581	45
1.624	1.628	.437	S	*470211	47	1.499	1.503	.312	S	*471581	47
1.624	1.628	.437	S	*480211	48	1.499	1.503	.390	S	*450029	45
1.752	1.756	.250	S	471684	47	1.499	1.503	.390	S	*470029	47
1.752	1.756	.250	S	*481684	48	1.624	1.628	.250	S	481644	48
1.752	1.756	.312	S	*411698	41	1.624	1.628	.437	S	*470212	47
1.752	1.756	.312	S	*471698	47	1.752	1.756	.312	S	*411337	41
1.752	1.756	.375	S	*481428	48	1.752	1.756	.312	S	*471337	47
1.752	1.756	.437	S	*410222	41	1.752	1.756	.437	S	*450223	45
1.752	1.756	.437	S	*450222	45	1.752	1.756	.437	S	*470223	47
1.752	1.756	.437	S	*470222	47	1.828	1.832	.437	S	*450034	45
1.752	1.756	.437	S	*480222	48	1.828	1.832	.437	S	*470034	47
1.783	1.787	.250	S	*473196	47	1.828	1.833	.250	S	474273	47
1.828	1.832	.375	S	*473406	47	1.850	1.854	.312	S	*482089	48
1.828	1.832	.437	S	*410033	41	1.850	1.854	.375	S	*472237	47
1.828	1.832	.437	S	*450033	45	1.874	1.878	.437	S	*451739	45
1.828	1.832	.437	S	*470033	47	20,00mm (.787") SHAFT					
1.828	1.832	.437	S	*480033	48	-	-	-	S	800200	VRS1
1.874	1.878	.250	S	470390	47	-	-	-	V	800204	VRS1
1.874	1.878	.250	N	*470390N	47	-	-	.313		99078	Redi-Sleeve
1.874	1.878	.250	S	*480390	48	24,80	25,00	7,00	S	*20X25X7★	32
1.874	1.878	.437	S	*410610	41	.976	.984	.276			
1.874	1.878	.437	S	*450610	45	25,80	26,00	4,00	S	*20X26X4★	32
1.874	1.878	.437	S	*470610	47	1.016	1.024	.157			
1.874	1.878	.437	S	*480610	48	25,80	26,00	5,00	S	*20X26X5★	32
1.983	1.987	.250	S	*473407	47	1.016	1.024	.197			
1.983	1.987	.437	S	*411385	41	25,80	26,00	5,60	S	*20X26X5.6★	32
1.983	1.987	.437	S	*451385	45	1.016	1.024	.220			
1.983	1.987	.437	S	*471385	47	26,00	26,20	4,00	S	710249★	97
1.983	1.987	.437	S	*481385	48	1.024	1.031	.157			
2.047	2.051	.312	S	472649	47	26,80	27,00	5,00	S	*20X27X5★	32
2.127	2.131	.250	S	472538	47	1.055	1.063	.197			
2.374	2.378	.375	S	*472361	47	27,80	28,00	4,00	S	*20X28X4★	32
.762" SHAFT						1.094	1.102	.157			
-	-	-	S	800200	VRS1	27,80	28,00	7,00	S	*20X28X7★	32
-	-	-	V	800204	VRS1	1.094	1.102	.276			
1.160	1.164	.250	S	8750S	33	28,00	28,20	6,00	S	20X28X6★	32
19,50mm (.768") SHAFT						1.102	1.110	.236			
34,80	35,00	6,00	S	*19.5X35X6★	32	29,80	30,00	4,50	S	*20X30X4.5★	32
1.370	1.378	.236				1.173	1.181	.177			
19,80mm (.780") SHAFT						29,80	30,00	5,50	S	*20X30X5.5★	32
29,80	30,00	5,00	S	*19.8X30X5★	32	1.173	1.181	.217			
1.173	1.181	.197				29,80	30,00	6,00	S	*20X30X6★	32
.781" (25/32") SHAFT						1.173	1.181	.236			
-	-	-	S	800200	VRS1	29,80	30,00	9,00	S	*20X30X9★	32
-	-	-	V	800204	VRS1	1.173	1.181	.354			
-	-	.313		*99080	Redi-Sleeve	29,80	30,00	10,00	S	*20X30X10★	32
1.250	1.254	.250	S	470601	47	1.173	1.181	.394			
1.250	1.254	.250	S	*480601	48	30,00	30,20	5,00	S	20X30X5★	35
1.250	1.254	.375	S	*471540	47	1.181	1.189	.197			
1.250	1.254	.375	V	471540V	47	30,00	30,28	7,00	V	*20X30X5V★	35
1.375	1.379	.250	V	481443V	48	1.181	1.189	.197			
1.375	1.379	.250	S	*471443	47	30,00	30,28	7,00	V	*20X30X7V★	35
1.375	1.379	.250	N	*471443N	47	1.181	1.192	.276			
1.375	1.379	.250	S	481443	48	30,80	31,00	5,00	S	*20X31X5★	32
1.375	1.379	.312	S	*451560	45	1.212	1.220	.197			
1.375	1.379	.312	N	*451560N	45	31,00	31,20	7,00	S	*20X31X7★	32
1.375	1.379	.312	S	*471560	47	1.220	1.228	.276			
1.375	1.379	.406	S	*410203	41	31,80	32,00	5,00	S	*20X32X5★	32
1.375	1.379	.406	S	*450203	45	1.252	1.260	.197			
1.375	1.379	.406	S	*470203	47	31,80	32,00	6,00	S	*20X32X6★	32
1.378	1.382	.406	S	*451031	45	1.252	1.260	.236			
1.378	1.382	.406	S	*471031	47	31,80	32,00	7,50	S	*20X32X7.5★	32
						1.252	1.260	.295			

SIZE SECTION

For Illustration and Material Data See Technical Section

* The U.S. customer service number is 877-4-TIMKEN. The Canadian customer service numbers are 800-565-4927 (English) and 800-565-0438 (French-Canadian). ★ Metric Seal

Hsg. Bore	Seal O.D.	Seal Width	Lip Mat'l	Part No.	Type/ Illus.	Hsg. Bore	Seal O.D.	Seal Width	Lip Mat'l	Part No.	Type/ Illus.
20,00mm (.787") SHAFT (cont.)						20,00mm (.787") SHAFT (cont.)					
31,80	32,00	8,00	S	*20X32X8★	32	40,00	40,23	7,00	S	20X40X7★	32
1,252	1,260	.315				1,575	1,584	.276			
31,80	32,00	10,00	S	*20X32X10★	32	40,00	40,23	10,00	S	20X40X10★	35
1,252	1,260	.394				1,575	1,584	.394			
32,00	32,21	5,00	N	710450★	32	41,05	41,25	7,00	S	*20X41.25X7★	32
1,260	1,268	.197				1,616	1,624	.276			
32,00	32,23	7,00	S	222020★	35	41,80	42,00	6,00	S	*20X42X6★	32
1,260	1,269	.276				1,646	1,654	.236			
32,00	32,23	7,00	S	20X32X7★	32	41,80	42,00	8,00	S	*20X42X8★	32
1,260	1,269	.276				1,646	1,654	.315			
32,80	33,00	7,00	S	*20X33X7★	32	42,00	42,15	10,00	S	20X42X10★	45
1,291	1,299	.276				1,654	1,659	.394			
32,80	33,00	10,00	S	*20X33X10★	32	42,00	42,25	7,00	S	20X42X7★	32
1,291	1,299	.394				1,654	1,663	.276			
33,80	34,00	7,00	S	*20X34X7★	32	42,00	42,25	7,00	V	*20X42X7V★	35
1,331	1,339	.276				1,654	1,663	.276			
34,00	34,25	7,00	S	222028★◀	32	43,80	44,00	7,00	S	*20X44X7★	32
1,339	1,348	.276				1,724	1,732	.276			
34,80	35,00	6,00	S	*20X35X6★	32	44,80	45,00	7,00	S	*20X45X7★	32
1,370	1,378	.236				1,764	1,772	.276			
34,80	35,00	8,00	S	*20X35X8★	32	44,80	45,00	8,00	S	*20X45X8★	32
1,370	1,378	.315				1,764	1,772	.315			
34,80	35,00	10,00	S	*20X35X10★	32	44,80	45,00	10,00	S	*20X45X10★	32
1,370	1,378	.394				1,764	1,772	.394			
35,00	35,20	7,00	V	*710280★	32	44,80	45,00	12,00	S	*20X45X12★	32
1,378	1,386	.276				1,764	1,772	.472			
35,00	35,23	5,50	S	222030★➔	32	45,80	46,00	8,00	S	*20X46X8★	32
1,378	1,387	.217				1,803	1,811	.315			
35,00	35,23	7,00	S	20X35X7★	32	46,00	46,20	7,00	S	*20X46X7★	32
1,378	1,387	.276				1,811	1,819	.276			
35,80	36,00	8,00	S	*20X36X8★	32	46,80	47,00	6,00	S	*20X47X6★	32
1,409	1,417	.315				1,842	1,850	.236			
35,80	36,00	10,00	S	*20X36X10★	32	46,80	47,00	8,00	S	*20X47X8★	32
1,409	1,417	.394				1,842	1,850	.315			
35,80	36,00	12,00	S	*20X36X12★	32	46,80	47,00	9,00	S	*20X47X9★	32
1,409	1,417	.472				1,842	1,850	.354			
36,00	36,20	7,00	S	20X36X7★	32	46,80	47,00	10,00	S	*20X47X10★	32
1,417	1,425	.276				1,842	1,850	.394			
36,00	36,20	7,00	V	222036★	32	46,80	47,00	12,00	S	*20X47X12★	32
1,417	1,425	.276				1,842	1,850	.472			
36,80	37,00	6,00	S	*20X37X6★	32	46,80	47,00	13,00	S	*20X47X13★	32
1,449	1,457	.236				1,842	1,850	.512			
36,80	37,00	10,00	S	*20X37X10★	32	47,00	47,20	7,00	V	*20X47X7V★	35
1,449	1,457	.394				1,850	1,858	.276			
37,00	37,20	7,00	S	20X37X7★	32	47,00	47,20	7,00	S	222060★	35
1,457	1,465	.276				1,850	1,858	.276			
37,00	37,20	8,00	S	20X37X8★	32	47,00	47,20	8,50	S	710342★➔	32
1,457	1,465	.315				1,850	1,858	.335			
37,50	37,70	7,00	S	*20X37.7X7★	32	47,00	47,22	7,00	S	20X47X7★	32
1,476	1,484	.276				1,850	1,859	.276			
37,80	38,00	5,00	S	*20X38X5★	32	47,80	48,00	8,00	S	*20X48X8★	32
1,488	1,496	.197				1,882	1,890	.315			
37,80	38,00	8,00	S	*20X38X8★	32	47,80	48,00	10,00	S	*20X48X10★	32
1,488	1,496	.315				1,882	1,890	.394			
37,80	38,00	10,00	S	*20X38X10★	32	48,00	48,20	7,00	S	*20X48X7★	32
1,488	1,496	.394				1,890	1,898	.276			
38,00	38,20	7,00	S	20X38X7★	32	48,80	49,00	7,00	S	*20X49X7★	32
1,496	1,504	.276				1,921	1,929	.276			
38,80	39,00	6,00	S	*20X39X6★	32	49,80	50,00	8,00	S	*20X50X8★	32
1,527	1,535	.236				1,961	1,969	.315			
39,60	39,80	6,50	S	*20X39.8X6.5★	32	49,80	50,00	10,00	S	*20X50X10★	32
1,559	1,567	.256				1,961	1,969	.394			
39,80	40,00	8,00	S	*20X40X8★	32	50,00	50,20	7,00	S	*20X50X7★	32
1,567	1,575	.315				1,969	1,976	.276			
39,80	40,00	9,00	S	*20X40X9★	32	51,75	52,00	8,00	S	*20X52X8★	32
1,567	1,575	.354				2,037	2,047	.315			
39,80	40,00	12,00	S	*20X40X12★	32	51,75	52,00	9,00	S	*20X52X9★	32
1,567	1,575	.472				2,037	2,047	.354			
40,00	40,20	7,00	V	*20X40X7V★	32	51,75	52,00	10,00	S	*20X52X10★	32
1,575	1,583	.276				2,037	2,047	.394			
40,00	40,23	7,00	S	222050★	35	51,75	52,00	12,00	S	*20X52X12★	32
1,575	1,584	.276				2,037	2,047	.472			

For Illustration and Material Data See Technical Section

➔ Hydrodynamic Lip Design-CW ◀ Hydrodynamic Lip Design-CCW

Size Section

Hsg. Bore	Seal O.D.	Seal Width	Lip Mat'l	Part No.	Type/ Illus.	Hsg. Bore	Seal O.D.	Seal Width	Lip Mat'l	Part No.	Type/ Illus.
20,00mm (.787") SHAFT (cont.)						21,00mm (.827") SHAFT (cont.)					
52,00 2.047	52,20 2.055	7,00 .276	S	20X52X7★	32	36,80 1.449	37,00 1.457	5,50 .217	S	*21X37X5.5★	32
.796" SHAFT						21,00mm (.827") SHAFT (cont.)					
—	—	—	S	800200	VRS1	36,80 1.449	37,00 1.457	7,00 .276	S	*21X37X7★	32
—	—	—	V	800204	VRS1	37,00 1.457	37,20 1.465	8,00 .315	S	*21X37X8★	32
1.250	1.254	.375	S	*451470	45	38,00 1.496	38,20 1.504	8,00 .315	S	*21X38X8★	32
1.499	1.503	.625	S	6357S	92	39,80 1.567	40,00 1.575	7,00 .276	S	*21X40X7★	32
.812" (13/16") SHAFT						.843' (27/32") SHAFT					
—	—	—	S	800200	VRS1	—	—	—	S	800220	VRS1
—	—	—	V	800204	VRS1	—	—	—	V	800224	VRS1
1.250	1.254	.250	S	*471539	47	1.374	1.378	.312	S	*472452	47
1.250	1.254	.250	S	*481539	48	1.499	1.503	.250	S	473413	47
1.250	1.254	.254	S	8609	47	1.624	1.628	.250	S	473414	47
1.250	1.254	.375	S	450431	45	1.828	1.832	.312	S	*473415	47
1.312	1.316	.250	S	*480889	48	21,50mm (.846") SHAFT					
1.312	1.316	.250	H	*480889H	48	34,80 1.370	35,00 1.378	8,00 .315	S	*21.5X35X8★	32
1.367	1.372	.312	S	*252317	25	21,70mm (.854") SHAFT					
1.375	1.379	.250	S	*480673	48	34,80 1.370	35,00 1.378	6,50 .256	S	*21.7X35X6.5★	32
1.375	1.379	.312	V	471231V	47	.860" SHAFT					
1.375	1.379	.312	S	*471231	47	—	—	—	S	800220	VRS1
1.375	1.379	.406	S	*450204	45	—	—	—	V	800224	VRS1
1.375	1.379	.406	N	*450204N	45	—	—	.250	S	*99086	Redi-Sleeve
1.375	1.379	.406	S	470204	47	1.437	1.441	.250	N	482069N	48
1.375	1.379	.406	S	*480204	48	.864" SHAFT					
1.375	1.381	.250	S	353131	35	—	—	—	S	800220	VRS1
1.499	1.503	.250	S	*474253	47	—	—	—	V	800224	VRS1
1.499	1.503	.312	S	*450592	45	—	—	.315	S	*99085	Redi-Sleeve
1.499	1.503	.312	N	*450592N	45	1.375	1.379	.250	S	*472065	47
1.499	1.503	.312	S	470592	47	1.375	1.379	.250	N	*472065N	47
1.499	1.503	.390	S	450030	45	22,00mm (.866") SHAFT					
1.499	1.503	.390	N	*450030N	45	—	—	—	S	800220	VRS1
1.499	1.503	.390	S	*480030	48	—	—	—	V	800224	VRS1
1.561	1.565	.375	S	*450515	45	—	—	.315	S	*99085	Redi-Sleeve
1.561	1.565	.375	S	470515	47	28,00 1.102	28,20 1.110	8,00 .315	S	*22X28X8★	32
1.561	1.565	.375	S	*480515	48	29,80 1.173	30,00 1.181	7,00 .276	S	*22X30X7★	32
1.575	1.579	.375	S	*450588	45	29,80 1.173	30,00 1.181	8,00 .315	S	*22X30X8★	32
1.575	1.579	.375	S	470588	47	30,80 1.212	31,00 1.220	7,00 .276	S	*22X31X7★	32
1.624	1.628	.250	S	*471645	47	31,00 1.220	31,20 1.228	6,00 .236	S	22X31X6★	32
1.624	1.628	.250	V	*471645V	47	31,00 1.220	31,20 1.228	8,00 .315	S	*22X31X8★	32
1.624	1.628	.437	S	*450213	45	31,80 1.252	32,00 1.260	5,00 .197	S	*22X32X5★	32
1.624	1.628	.437	S	*480213	48	31,80 1.252	32,00 1.260	6,00 .236	S	*22X32X6★	32
1.750	1.754	.312	S	*472650	47	21,00mm (.827") SHAFT					
1.752	1.756	.250	S	471686	47	—	—	—	S	800200	VRS1
1.752	1.756	.437	S	*450224	45	—	—	—	V	800204	VRS1
1.752	1.756	.437	S	*480224	48	30,80 1.212	31,00 1.220	7,00 .276	S	*21X31X7★	32
1.828	1.832	.375	S	473412	47	31,80 1.252	32,00 1.260	8,00 .315	S	*21X32X5★	32
1.828	1.832	.437	S	*450035	45	32,80 1.291	33,00 1.299	7,00 .276	S	*21X32X7★	32
1.828	1.832	.437	S	*480035	48	35,00 1.378	35,20 1.386	8,00 .315	S	21X35X7★	32
1.874	1.878	.250	S	471729	47	35,00 1.378	35,20 1.386	8,00 .315	S	21X35X8★	32
1.874	1.878	.437	S	*450591	45	36,00 1.417	36,20 1.425	8,00 .315	S	*21X36X8★	32
1.874	1.878	.437	S	*480591	48	21,00mm (.827") SHAFT					
2.441	2.445	.375	S	*472950	47	—	—	—	S	800200	VRS1

For Illustration and Material Data See Technical Section

* The U.S. customer service number is 877-4-TIMKEN. The Canadian customer service numbers are 800-565-4927 (English) and 800-565-0438 (French-Canadian). ★ Metric Seal

Hsg. Bore	Seal O.D.	Seal Width	Lip Mat'l	Part No.	Type/ Illus.	Hsg. Bore	Seal O.D.	Seal Width	Lip Mat'l	Part No.	Type/ Illus.
22,00mm (.866") SHAFT (cont.)						22,00mm (.866") SHAFT (cont.)					
32,00	32,20	7,00	V	*22X32X7V★	35	41,80	42,00	6,00	S	*22X42X6★	32
1.260	1.268	.276				1.646	1.654	.236			
32,00	32,23	7,00	S	222210★	35	41,80	42,00	11,00	S	*22X42X11★	32
1.260	1.269	.276				1.646	1.654	.433			
32,00	32,23	7,00	S	22X32X7★	32	42,00	42,20	7,00	S	22X42X7★	32
1.260	1.269	.276				1.654	1.661	.276			
32,80	33,00	7,00	S	*22X33X7★	32	42,00	42,20	10,00	S	22X42X10★	35
1.291	1.299	.276				1.654	1.661	.394			
32,80	33,00	10,00	S	*22X33X10★	32	43,80	44,00	7,00	S	*22X44X7★	32
1.291	1.299	.394				1.724	1.732	.276			
33,80	34,00	7,00	S	*22X34X7★	32	44,80	45,00	5,00	S	*22X45X5★	32
1.331	1.339	.276				1.764	1.772	.197			
34,80	35,00	5,00	S	*22X35X5★	32	44,80	45,00	8,00	S	*22X45X8★	32
1.370	1.378	.197				1.764	1.772	.315			
34,80	35,00	8,00	S	*22X35X8★	32	44,80	45,00	10,00	S	*22X45X10★	32
1.370	1.378	.315				1.764	1.772	.394			
34,80	35,00	9,00	S	*22X35X9★	32	45,00	45,20	8,00	H	222267★◀	32
1.370	1.378	.354				1.772	1.780	.315			
34,80	35,00	10,00	S	*22X35X10★	32	45,00	45,23	7,00	S	22X45X7★	35
1.370	1.378	.394				1.772	1.781	.276			
35,00	35,20	7,00	V	*22X35X7V★	35	46,00	46,20	8,00	S	*22X46X8★	32
1.378	1.386	.276				1.811	1.819	.315			
35,00	35,23	7,00	S	222220★	32	46,80	47,00	10,00	S	*22X47X10★	32
1.378	1.387	.276				1.842	1.850	.394			
35,00	35,23	7,00	S	22X35X7★	32	47,00	47,23	7,00	S	222270★	35
1.378	1.387	.276				1.850	1.859	.276			
35,80	36,00	8,00	S	*22X36X8★	32	47,00	47,23	7,00	S	22X47X7★	32
1.409	1.417	.315				1.850	1.859	.276			
35,80	36,00	10,00	S	*22X36X10★	32	47,80	48,00	7,00	S	*22X48X7★	32
1.409	1.417	.394				1.882	1.890	.276			
36,00	36,20	7,00	S	22X36X7★	32	47,80	48,00	11,00	S	*22X48X11★	32
1.417	1.425	.276				1.882	1.890	.433			
36,80	37,00	6,00	S	*22X37X6★	32	48,00	48,20	8,00	S	*22X48X8★	32
1.449	1.457	.236				1.890	1.898	.315			
37,00	37,23	7,00	S	22X37X7★	35	49,80	50,00	5,00	S	*22X50X5★	32
1.457	1.466	.276				1.961	1.969	.197			
38,00	38,20	7,00	S	22X38X7★	35	49,80	50,00	10,00	S	*22X50X10★	32
1.496	1.504	.276				1.961	1.969	.394			
38,00	38,20	7,00	V	*22X38X7V★	35	50,00	50,20	8,00	S	*22X50X8★	32
1.496	1.504	.276				1.969	1.976	.315			
38,00	38,20	8,00	S	22X38X8★	32	51,75	52,00	10,00	S	*22X52X10★	32
1.496	1.504	.315				2.037	2.047	.394			
38,00	38,20	8,00	S	222238★	32	52,00	52,20	8,00	S	*22X52X8★	32
1.496	1.504	.315				2.047	2.055	.315			
38,80	39,00	7,00	S	*22X39X7★	32	55,75	56,00	7,00	S	*22X56X7★	32
1.527	1.535	.276				2.195	2.205	.276			
39,80	40,00	4,00	S	*22X40X4★	32	.875" (7/8") SHAFT					
1.567	1.575	.157				-	-	-	S	800220	VRS1
39,80	40,00	10,00	S	*22X40X10★	32	-	-	-	V	800224	VRS1
1.567	1.575	.394				-	-	.313		99087	Redi-Sleeve
39,80	40,00	11,00	S	*22X40X11★	32	1.124	1.135	.125	S	240733	24
1.567	1.575	.433				1.187	1.191	.185	S	*442168	44
39,80	40,00	12,00	S	*22X40X12★	32	1.187	1.193	.187	S	340850	34
1.567	1.575	.472				1.245	1.256	.187	S	5976S	34
40,00	40,18	16,00	S	*1163★	#	1.249	1.254	.187	S	7840S	31
1.575	1.582	.630				1.250	1.254	.250	S	42280S	4S
40,00	40,20	7,00	V	*22X40X7V★	32	1.250	1.255	.250	S	254287	25
1.575	1.583	.276				1.250	1.255	.250	V	*254287V	25
40,00	40,20	8,00	S	22X40X8★	35	1.250	1.256	.250	S	340483	34
1.575	1.583	.315				1.254	1.260	.205	S	7014S	4S
40,00	40,23	7,00	S	22X40X7★	32	1.260	1.265	.250	V	*250861V	25
1.575	1.584	.276				1.308	1.314	.250	S	353132	35
40,00	40,23	7,00	S	222240★	35	1.308	1.316	.250	S	340413	34
1.575	1.584	.276				1.374	1.378	.406	S	470398	47
40,00	40,23	12,00	N	222242★	32	1.374	1.379	.406	S	*410398	41
1.575	1.584	.472				1.374	1.379	.406	S	*450398	45
40,00	40,34	7,75	N	1963★▶	35	1.375	1.379	.187	S	440131	44
1.575	1.588	.305				1.375	1.379	.250	S	*441267	44
41,05	41,25	6,00	S	*22X41.25X6★	32	1.375	1.379	.250	S	41267S	4S
1.616	1.624	.236				1.375	1.379	.250	S	471267	47
41,30	41,50	6,00	S	*22X41.5X6★	32						
1.626	1.634	.236									

For Illustration and Material Data See Technical Section

Designed For A Specific Application - Not Recommended For General Use ▶ Hydrodynamic Lip Design-CW ◀ Hydrodynamic Lip Design-CCW

* The U.S. customer service number is 877-4-TIMKEN. The Canadian customer service numbers are 800-565-4927 (English) and 800-565-0438 (French-Canadian). ★ Metric Seal

Size Section

Hsg. Bore	Seal O.D.	Seal Width	Lip Mat'l	Part No.	Type/ Illus.	Hsg. Bore	Seal O.D.	Seal Width	Lip Mat'l	Part No.	Type/ Illus.
.875" (7/8") SHAFT (cont.)						.875" (7/8") SHAFT (cont.)					
1.375	1.379	.250	A	471267A	47	1.752	1.756	.312	S	*481700	48
1.375	1.379	.250	H	*471267H	47	1.752	1.756	.437	S	*450226	45
1.375	1.379	.250	T	*471267T	47	1.752	1.756	.437	S	*470226	47
1.375	1.379	.250	V	471267V	47	1.752	1.756	.437	S	*480226	48
1.375	1.379	.250	S	*481267	48	1.828	1.832	.375	S	471137	47
1.375	1.379	.250	H	*481267H	48	1.828	1.832	.375	S	*481137	48
1.375	1.379	.250	N	*481267N	48	1.828	1.832	.437	S	*410037	41
1.375	1.379	.250	V	712015	#	1.828	1.832	.437	S	*450037	45
1.375	1.379	.312	T	38832➔	94	1.828	1.832	.437	N	*450037N	45
1.375	1.379	.312	S	*410567	41	1.828	1.832	.437	S	*470037	47
1.375	1.379	.312	S	*450567	45	1.828	1.832	.437	S	*480037	48
1.375	1.379	.312	H	*450567H	45	1.874	1.878	.250	S	471730	47
1.375	1.379	.312	N	*450567N	45	1.874	1.878	.250	H	*481730H	48
1.375	1.379	.312	V	*450567V	45	1.874	1.878	.437	S	*410424	41
1.375	1.379	.312	S	470567	47	1.874	1.878	.437	S	*450424	45
1.375	1.379	.312	H	*470567H	47	1.874	1.878	.437	S	*470424	47
1.375	1.379	.312	N	470567N	47	1.874	1.878	.437	S	*480424	48
1.375	1.379	.312	V	*470567V	47	1.874	1.878	.437	N	*480424N	48
1.375	1.379	.312	S	*480567	48	1.983	1.987	.250	S	*481741	48
1.375	1.379	.312	N	*480567N	48	2.000	2.004	.437	S	*450645	45
1.375	1.379	.375	V	*712147	43	2.000	2.004	.437	S	470645	47
1.375	1.381	.250	S	321267	32	23,00mm (.905") SHAFT					
1.375	1.381	.250	S	351267	35	-	-	-	S	800220	VRS1
1.375	1.383	.312	S	*320567	32	-	-	-	V	800224	VRS1
1.375	1.385	.312	S	350567	35	31,80	32,00	5,50	S	710254★	34
1.436	1.441	.256	S	712270	48	1.252	1.260	.217			
1.499	1.503	.250	S	*40032S	4S	32,00	32,20	5,00	S	222310★	34
1.499	1.503	.250	S	471570	47	1.260	1.268	.197			
1.499	1.503	.250	S	*481570	48	34,00	34,23	6,50	S	710155★	35
1.499	1.503	.250	V	*481570V	48	1.339	1.348	.256			
1.499	1.503	.312	S	*410680	41	34,00	34,23	8,00	N	222330★◀	32
1.499	1.503	.312	N	*410680N	41	1.339	1.348	.315			
1.499	1.503	.312	S	*450680	45	40,00	40,23	7,00	N	222340★➔	32
1.499	1.503	.312	H	*450680H	45	1.575	1.584	.276			
1.499	1.503	.312	V	*450680V	45	.906" (29/32") SHAFT					
1.499	1.503	.312	S	470680	47	-	-	-	S	800220	VRS1
1.499	1.503	.312	S	*480680	48	-	-	-	V	800224	VRS1
1.499	1.503	.390	S	*410032	41	23,00mm (.906") SHAFT					
1.499	1.503	.390	S	*450032	45	31,80	32,00	7,00	S	*23X32X7★	32
1.499	1.503	.390	N	*450032N	45	1.252	1.260	.276			
1.499	1.503	.390	S	470032	47	34,80	35,00	7,00	S	*23X35X7★	32
1.499	1.503	.390	S	*480032	48	1.370	1.378	.276			
1.573	1.577	.250	N	*483011N	48	35,80	36,00	6,00	S	*23X36X6★	32
1.575	1.579	.250	S	*470877	47	1.409	1.417	.236			
1.575	1.579	.375	S	*410781	41	35,80	36,00	7,00	S	*23X36X7★	32
1.575	1.579	.375	S	*450781	45	1.409	1.417	.276			
1.575	1.581	.250	S	350877	35	35,80	36,00	10,00	S	*23X36X10★	32
1.575	1.584	.669	N	*4026	#	1.409	1.417	.394			
1.575	1.750	.281	F	*6385	29	35,80	36,00	13,00	S	*23X36X13★	32
1.577	1.581	.250	S	471633	47	1.409	1.417	.512			
1.577	1.581	.250	N	*471633N	47	35,80	36,00	7,00	S	*23X37X7★	32
1.577	1.581	.250	S	*481633	48	1.449	1.457	.276			
1.624	1.628	.250	S	471646	47	37,80	38,00	7,00	S	*23X38X7★	32
1.624	1.628	.250	S	*481646	48	1.488	1.496	.276			
1.624	1.628	.312	S	*411659	41	.906" (29/32") SHAFT					
1.624	1.628	.312	S	*451659	45	1.499	1.503	.390	S	470207	47
1.624	1.628	.312	S	*471659	47	23,00mm (.906") SHAFT					
1.624	1.628	.312	S	*481659	48	39,80	40,00	6,00	S	*23X40X6★	32
1.624	1.628	.437	S	*410215	41	1.567	1.575	.236			
1.624	1.628	.437	S	*450215	45	39,80	40,00	10,00	S	*23X40X10★	32
1.624	1.628	.437	S	470215	47	1.567	1.575	.394			
1.624	1.628	.437	S	*480215	48	23,00mm (.906") SHAFT					
1.624	1.630	.250	S	351646	35	39,80	40,00	6,00	S	*23X40X6★	32
1.624	1.634	.187	S	240215	24	1.567	1.575	.236			
1.689	1.690	.250	S	*481674	48	39,80	40,00	10,00	S	*23X40X10★	32
1.750	1.754	.312	V	*473285V	47	1.567	1.575	.394			
1.752	1.756	.250	S	470590	47	23,00mm (.906") SHAFT					
1.752	1.756	.250	S	*480590	48	39,80	40,00	6,00	S	*23X40X6★	32
1.752	1.756	.312	S	*411700	41	1.567	1.575	.236			
1.752	1.756	.312	S	*451700	45	39,80	40,00	10,00	S	*23X40X10★	32
1.752	1.756	.312	S	*471700	47	1.567	1.575	.394			

SIZE SECTION

For Illustration and Material Data See Technical Section

Designed For A Specific Application - Not Recommended For General Use ➔ Hydrodynamic Lip Design-CW ◀ Hydrodynamic Lip Design-CCW

* The U.S. customer service number is 877-4-TIMKEN. The Canadian customer service numbers are 800-565-4927 (English) and 800-565-0438 (French-Canadian). ★ Metric Seal

Hsg. Bore	Seal O.D.	Seal Width	Lip Mat'l	Part No.	Type/ Illus.	Hsg. Bore	Seal O.D.	Seal Width	Lip Mat'l	Part No.	Type/ Illus.	
.906" (29/32") SHAFT						24,00mm (.945") SHAFT (cont.)						
1.625	1.629	.312	S	*482371	48	35,00	35,23	7,00	S	222410★	35	
23,00mm (.906") SHAFT						1.378	1.387	.276				
41,80	42,00	7,00	S	*23X42X7★	32	35,00	35,23	7,00	S	24X35X7★	32	
1.646	1.654	.276				1.378	1.387	.276				
42,80	43,00	8,00	S	*23X43X8★	32	35,80	36,00	7,00	S	*24X36X7★	32	
1.685	1.693	.315				1.409	1.417	.315				
.906" (29/32") SHAFT						36,00	36,20	7,00	V	*24X36X7V★	35	
1.828	1.832	.437	S	450038	45	1.417	1.425	.276				
23,00mm (.906") SHAFT						37,00	37,23	7,00	S	24X37X7★	35	
46,80	47,00	7,00	S	*23X47X7★	32	1.457	1.466	.276				
1.842	1.850	.276				37,80	38,00	8,00	S	*24X38X8★	32	
46,80	47,00	8,00	S	*23X47X8★	32	1.488	1.496	.315				
1.842	1.850	.315				37,80	38,00	10,00	S	*24X38X10★	32	
46,80	47,00	10,00	S	*23X47X10★	32	1.488	1.496	.394				
1.842	1.850	.394				38,00	38,20	7,00	S	24X38X7★	32	
.937" (15/16") SHAFT						1.496	1.504	.276				
—	—	—	S	800220	VRS1	39,80	40,00	8,00	S	*24X40X8★	32	
—	—	—	V	800224	VRS1	1.567	1.575	.315				
1.375	1.379	.312	S	471015	47	40,00	40,20	6,00	V	*24X40X6V★	35	
1.375	1.383	.250	S	340787	34	1.575	1.583	.236				
1.375	1.383	.250	N	*340787N	34	40,00	40,23	7,00	S	222430★	35	
1.497	1.501	.390	S	*481047	48	1.575	1.584	.276				
1.499	1.503	.250	V	471571V	47	40,00	40,23	7,00	S	24X40X7★	32	
1.499	1.503	.250	V	471571	47	42,00	42,20	7,00	S	24X42X7★	32	
1.499	1.503	.250	V	471571V	47	1.654	1.661	.276				
1.499	1.503	.250	S	*481571	48	42,00	42,25	8,00	S	*24X42X8★	35	
1.499	1.503	.250	V	481571V	48	1.654	1.663	.315				
1.499	1.503	.390	S	*450184	45	42,00	42,25	10,00	S	24X42X10★	32	
1.499	1.503	.390	S	*480184	48	1.654	1.663	.394				
1.499	1.504	.312	S	*411582	41	42,80	43,00	6,00	S	*24X43X6★	32	
1.499	1.504	.312	S	*451582	45	1.685	1.693	.236				
1.499	1.504	.312	S	*481582	48	42,80	43,00	7,00	S	*24X43X7★	32	
1.624	1.628	.250	S	471647	47	1.685	1.693	.276				
1.624	1.628	.250	S	*481647	48	43,00	43,23	8,00	S	222450★	25	
1.624	1.628	.312	S	*451660	45	1.693	1.702	.315				
1.624	1.628	.312	S	*471660	47	44,80	45,00	6,00	S	*24X45X6★	32	
1.624	1.628	.437	S	*450217	45	1.764	1.772	.236				
1.624	1.628	.437	V	*450217V	45	44,80	45,00	7,00	S	*24X45X7★	32	
1.624	1.628	.437	S	*480217	48	1.764	1.772	.276				
1.750	1.754	.312	S	472951	47	44,80	45,00	11,00	S	*24X45X11★	32	
1.752	1.756	.250	S	474252	47	1.764	1.772	.433				
1.752	1.756	.312	S	*451701	45	45,00	45,20	8,00	S	*24X45X8★	32	
1.752	1.756	.437	S	*450228	45	1.772	1.780	.315				
1.752	1.756	.437	S	*480228	48	45,80	46,00	10,00	S	*24X46X10★	32	
1.828	1.832	.437	S	450039	45	1.803	1.811	.394				
1.828	1.832	.437	S	470039	47	46,00	46,20	8,00	S	*24X46X8★	32	
1.828	1.832	.437	S	*480039	48	1.811	1.819	.315				
1.850	1.854	.312	S	474235	47	46,80	47,00	10,00	S	*24X47X10★	32	
24,00mm (.945") SHAFT						1.842	1.850	.394				
—	—	—	S	800220	VRS1	47,00	47,23	7,00	S	24X47X7★	32	
—	—	—	V	800224	VRS1	1.850	1.859	.276				
31,80	32,00	4,00	S	*24X32X4★	32	47,80	48,00	7,00	S	*24X48X7★	32	
1.252	1.260	.157				1.882	1.890	.276				
31,80	32,00	7,00	S	*24X32X7★	32	48,00	48,20	8,00	S	*24X48X8★	32	
1.252	1.260	.276				1.890	1.898	.315				
32,80	33,00	7,00	S	*24X33X7★	32	48,80	49,00	12,00	S	*24X49X12★	32	
1.291	1.299	.276				1.921	1.929	.472				
33,80	34,00	7,00	S	*24X34X7★	32	50,00	50,20	8,00	S	*24X50X8★	32	
1.331	1.339	.276				1.969	1.976	.315				
34,80	35,00	6,00	S	*24X35X6★	32	52,00	52,20	7,00	S	24X52X7★	32	
1.370	1.378	.236				2.047	2.055	.276				
34,80	35,00	8,00	S	*24X35X8★	32	76,72	77,00	18,00	S	*24X77X18★	32	
1.370	1.378	.315				3.020	3.031	.709				
.968" (31/32") SHAFT						.968" (31/32") SHAFT						
—	—	—	S	800250	VRS1	—	—	—	S	800250	VRS1	

For Illustration and Material Data See Technical Section

* The U.S. customer service number is 877-4-TIMKEN. The Canadian customer service numbers are 800-565-4927 (English) and 800-565-0438 (French-Canadian). ★ Metric Seal

Size Section

Hsg. Bore	Seal O.D.	Seal Width	Lip Mat'l	Part No.	Type/ Illus.	Hsg. Bore	Seal O.D.	Seal Width	Lip Mat'l	Part No.	Type/ Illus.
.968" (31/32") SHAFT (cont.)						25,00mm (.984") SHAFT (cont.)					
-	-	-	S	800251	VRS2	34,80	35,00	10,00	S	*25X35X10★	32
-	-	-	V	800254	VRS1	1.370	1.378	.394			
-	-	.313		99094	Redi-Sleeve	35,00	35,10	7,00	V	*25X35X7V★	48
-	-	.625		99096	Redi-Sleeve	1.378	1.382	.276			
1.499	1.503	.250	L	40208	4L	35,00	35,20	6,00	S	25X35X6★	32
1.499	1.503	.250	S	*481572	48	1.378	1.386	.236			
1.499	1.503	.250	V	*481572V	48	35,00	35,25	7,00	S	25X35X7★	35
1.499	1.503	.312	V	451583V	45	1.378	1.388	.276			
1.499	1.503	.312	S	451583	45	35,00	35,25	7,00	S	222510★	35
1.499	1.503	.312	S	*481583	48	1.378	1.388	.276			
1.499	1.503	.390	S	*450208	45	35,00	35,25	7,00	V	712007★	32
1.499	1.503	.390	S	*480208	48	1.378	1.388	.276			
1.500	1.507	.187	S	6324S	34	35,80	36,00	6,00	S	*25X36X6★	32
1.575	1.579	.375	S	450545	45	1.409	1.417	.236			
1.624	1.628	.250	S	471648	47	36,00	36,23	7,00	S	25X36X7★	32
1.624	1.628	.250	S	*481648	48	1.417	1.426	.276			
1.624	1.628	.437	S	*450218	45	36,00	36,22	8,00	S	25X36X8★	32
1.624	1.628	.437	N	*450218N	45	1.417	1.426	.315			
1.686	1.690	.312	S	8059S	25	36,80	37,00	5,00	S	*25X37X5★	32
1.750	1.754	.375	S	*452582	45	1.449	1.457	.197			
1.750	1.754	.375	S	*482582	48	36,80	37,00	6,00	S	*25X37X6★	32
1.750	1.754	.437	S	*452132	45	36,80	37,00	8,00	S	*25X37X8★	32
1.752	1.756	.250	S	471688	47	1.449	1.457	.315			
1.752	1.756	.250	S	*481688	48	37,00	37,20	5,00	V	*25X37X5V★	35
1.752	1.756	.250	N	*481688N	48	1.457	1.465	.197			
1.752	1.756	.312	S	*471702	47	37,00	37,20	7,00	S	25X37X7★	32
1.752	1.756	.312	S	*481702	48	1.457	1.465	.276			
1.752	1.756	.437	S	*450229	45	37,00	37,26	7,00	S	320603★➔	32
1.828	1.832	.437	S	*410040	41	1.457	1.467	.276			
1.828	1.832	.437	S	450040	45	37,80	38,00	6,00	S	*25X38X6★	32
1.828	1.832	.437	S	*480040	48	1.488	1.496	.236			
1.850	1.854	.312	S	*482090	48	37,80	38,00	8,00	S	*25X38X8★	32
1.850	1.854	.375	S	482309	48	1.488	1.496	.315			
1.874	1.878	.437	S	451082	45	37,80	38,00	10,00	S	*25X38X10★	32
2.048	2.052	.375	S	482310	48	1.488	1.496	.394			
2.062	2.066	.437	S	450339	45	38,00	38,20	7,00	V	*25X38X7V★	35
2.062	2.066	.437	N	*450339N	45	1.496	1.504	.276			
2.440	2.445	.375	S	472238	47	38,00	38,23	7,00	S	25X38X7★	32
						1.496	1.505	.276			
						38,00	38,23	7,00	S	222535★	32
						1.496	1.505	.276			
.975" SHAFT						1.499	1.503	.250	S	472324	47
-	-	-	S	800250	VRS1	1.499	1.503	.250	A	472324A	47
-	-	-	S	800251	VRS2	1.499	1.503	.250	H	*472324H	47
-	-	-	V	800254	VRS1	1.499	1.503	.250	H	*472324H	47
1.874	1.878	.437	S	*452573	45	1.499	1.503	.250	V	472324V	47
						1.499	1.504	.250	V	4458V	#
						1.500	1.504	.312	S	*471171	47
						1.500	1.508	.410	S	6522S	34
						38,80	39,00	8,00	S	*25X39X8★	32
						1.527	1.535	.315			
		.313		99098	Redi-Sleeve	39,80	40,00	5,00	S	*25X40X5★	32
						1.567	1.575	.197			
31,80	32,00	4,00	S	*25X32X4★	32	39,80	40,00	6,00	S	*25X40X6★	32
1.252	1.260	.157				1.567	1.575	.236			
31,80	32,00	6,00	S	*25X32X6★	32	39,80	40,00	6,00	S	*25X40X6★	32
1.252	1.260	.236				1.567	1.575	.236			
31,80	32,00	7,00	S	*25X32X7★	32	39,80	40,00	8,00	S	*25X40X8★	32
1.252	1.260	.276				1.567	1.575	.315			
32,80	33,00	6,00	S	*25X33X6★	32	39,80	40,00	10,00	S	*25X40X10★	32
1.291	1.299	.236				1.567	1.575	.394			
33,80	34,00	5,00	S	*25X34X5★	32	39,80	40,00	11,00	S	*25X40X11★	32
1.331	1.339	.197				1.567	1.575	.433			
34,80	35,00	5,00	S	*25X35X5★	32	39,80	40,00	12,00	S	*25X40X12★	32
1.370	1.378	.197				1.567	1.575	.472			
34,80	35,00	8,00	S	*25X35X8★	32	40,01	40,11	9,50	V	450908V★	45
1.370	1.378	.315				1.575	1.579	.374			
34,80	35,00	8,50	S	*25X35X8.5★	32	40,00	40,10	9,50	S	*450908★	45
1.370	1.378	.335				1.575	1.579	.374			
34,80	35,00	9,00	S	*25X35X9★	32	40,00	40,22	7,00	S	25X40X7★	32
1.370	1.378	.354				1.575	1.583	.276			

For Illustration and Material Data See Technical Section

Designed For A Specific Application - Not Recommended For General Use ➔ Hydrodynamic Lip Design-CW

* The U.S. customer service number is 877-4-TIMKEN. The Canadian customer service numbers are 800-565-4927 (English) and 800-565-0438 (French-Canadian). ★ Metric Seal

Hsg. Bore	Seal O.D.	Seal Width	Lip Mat'l	Part No.	Type/ Illus.	Hsg. Bore	Seal O.D.	Seal Width	Lip Mat'l	Part No.	Type/ Illus.
25,00mm (.984") SHAFT (cont.)						25,00mm (.984") SHAFT (cont.)					
40,00	40,20	7,00	V	*25X40X7V★	35	44,80	45,00	10,00	S	*25X45X10★	32
1.575	1.583	.276				1.764	1.772	.394			
40,00	40,22	7,00	S	222540★	47	44,80	45,00	11,00	S	*25X45X11★	32
1.575	1.583	.276				1.764	1.772	.433			
40,00	40,20	7,00	N	710307★◄	32	44,80	45,00	12,00	S	*25X45X12★	32
1.575	1.583	.276				1.764	1.772	.472			
40,00	40,20	8,00	S	710316★➔	32	45,00	45,23	8,00	S	25X45X8★	32
1.575	1.583	.315				1.772	1.781	.315			
40,00	40,31	8,00	S	*324151★	32	46,00	46,20	7,00	S	25X46X7★	32
1.575	1.587	.315				1.811	1.819	.276			
40,00	40,31	8,00	N	*324151N★	32	46,00	46,20	8,00	S	*25X46X8★	32
1.575	1.587	.315				1.811	1.819	.315			
40,54	40,64	6,35	S	712018★	#	1.828	1.832	.437	S	450457	45
1.596	1.600	.250				1.828	1.838	.187	S	240457	24
40,80	41,00	6,00	S	*25X41X6★	32	1.834	1.842	.250	S	*321471	32
1.606	1.614	.236				46,80	47,00	6,00	S	*25X47X6★	32
40,80	41,00	7,00	S	*25X41X7★	32	1.842	1.850	.236			
1.606	1.614	.276				46,80	47,00	8,00	S	*25X47X8★	32
41,00	41,09	8,00	T	39867★◄	W-H	1.842	1.850	.315			
1.614	1.618	.315				46,80	47,00	10,00	S	*25X47X10★	32
41,00	41,20	8,00	S	*25X41.2X8★	32	1.842	1.850	.394			
1.614	1.622	.315				47,00	47,10	9,50	S	*482583★	48
41,05	41,25	6,00	S	*25X41.25X6★	32	1.850	1.854	.374			
1.616	1.624	.236				47,00	47,20	10,00	V	*25X47X10V★	35
41,05	41,25	7,00	S	*25X41.25X7★	32	1.850	1.858	.394			
1.616	1.624	.276				47,00	47,23	7,00	S	25X47X7★	32
41,25	41,35	11,10	S	*450811★	45	1.850	1.859	.276			
1.624	1.628	.437				47,80	48,00	7,00	S	*25X48X7★	32
41,30	41,50	7,00	S	*25X41.5X7★	32	1.882	1.890	.276			
1.626	1.634	.276				47,80	48,00	10,00	S	*25X48X10★	32
41,30	41,50	10,00	S	*25X41.5X10★	32	1.882	1.890	.394			
1.626	1.634	.394				48,00	48,20	8,00	S	25X48X8★	32
41,80	42,00	5,50	S	*25X42X5.5★	32	1.890	1.898	.315			
1.646	1.654	.217				48,80	49,00	10,00	S	*25X49X10★	32
41,80	42,00	7,00	S	*25X42X7★	32	1.921	1.929	.394			
1.646	1.654	.276				49,80	50,00	12,00	S	*25X50X12★	32
41,80	42,00	8,50	S	*25X42X8.5★	32	1.961	1.969	.472			
1.646	1.654	.335				50,00	50,20	8,00	S	25X50X8★	32
41,80	42,00	12,00	S	*25X42X12★	32	1.969	1.976	.315			
1.646	1.654	.472				50,00	50,20	10,00	V	*25X50X10V★	35
42,00	42,20	6,00	S	25X42X6★	32	1.969	1.976	.394			
1.654	1.661	.236				50,00	50,28	10,00	S	25X50X10★	35
42,00	42,20	7,00	V	*25X42X7V★	32	1.969	1.980	.394			
1.654	1.661	.276				51,75	52,00	9,50	S	*25X52X9.5★	32
42,00	42,20	8,00	S	25X42X8★	32	2.037	2.047	.374			
1.654	1.661	.315				51,75	52,00	12,00	S	*25X52X12★	32
42,00	42,30	8,00	H	222556★➔	32	2.037	2.047	.472			
1.654	1.665	.315				52,00	52,10	7,90	S	*472184★	47
42,00	42,28	10,00	S	25X42X10★	35	2.047	2.051	.311			
1.654	1.665	.394				52,00	52,20	7,00	V	*25X52X7V★	35
42,70	42,90	9,50	S	*25X42.9X9.5★	32	2.047	2.055	.276			
1.681	1.689	.374				52,00	52,20	8,00	S	25X52X8★	35
42,80	43,00	7,00	S	*25X43X7★	32	2.047	2.055	.315			
1.685	1.693	.276				52,00	52,20	10,00	S	25X52X10★	35
42,80	43,00	9,00	S	*25X43X9★	32	2.047	2.055	.394			
1.685	1.693	.354				52,00	52,27	7,00	S	25X52X7★	32
42,80	43,00	10,00	S	*25X43X10★	32	2.047	2.058	.276			
1.685	1.693	.394				52,37	52,48	11,10	S	450693★	45
43,80	44,00	7,00	S	*25X44X7★	32	2.062	2.066	.437			
1.724	1.732	.276				52,75	53,00	10,00	S	*25X53X10★	32
43,80	44,00	8,00	S	*25X44X8★	32	2.077	2.087	.394			
1.724	1.732	.315				54,00	54,20	8,00	S	*25X54X8★	32
44,00	44,20	7,00	S	222558★	32	2.126	2.134	.315			
1.732	1.740	.276				54,75	55,00	10,00	S	*25X55X10★	32
44,25	44,45	10,00	S	*25X44.45X10★	32	2.155	2.165	.394			
1.742	1.750	.394				54,75	55,00	12,00	S	*25X55X12★	32
1.749	1.753	.375	V	*483027V	48	2.155	2.165	.472			
1.752	1.756	.313	V	712012	#	55,00	55,20	8,00	S	*25X55X8★	32
44,80	45,00	7,00	S	*25X45X7★	32	2.165	2.173	.315			
1.764	1.772	.276				56,00	56,20	8,00	S	*25X56X8★	32
44,80	45,00	9,00	S	*25X45X9★	32	2.205	2.213	.315			
1.764	1.772	.354									

For Illustration and Material Data See Technical Section

Designed For A Specific Application - Not Recommended For General Use ➔ Hydrodynamic Lip Design-CW ◄ Hydrodynamic Lip Design-CCW

* The U.S. customer service number is 877-4-TIMKEN. The Canadian customer service numbers are 800-565-4927 (English) and 800-565-0438 (French-Canadian). ★ Metric Seal

Size Section

Hsg. Bore	Seal O.D.	Seal Width	Lip Mat'l	Part No.	Type/ Illus.	Hsg. Bore	Seal O.D.	Seal Width	Lip Mat'l	Part No.	Type/ Illus.
25,00mm (.984") SHAFT (cont.)						1.000" SHAFT (cont.)					
57,75	58,00	10,00	S	*25X58X10★	32	1.499	1.503	.312	H	*480553H	48
2.273	2.283	.394				1.499	1.503	.390	S	*9277	48
58,00	58,20	8,00	S	*25X58X8★	32	1.499	1.503	.390	S	*410120	41
2.283	2.291	.315				1.499	1.503	.390	N	*410120N	41
59,75	60,00	10,00	S	*25X60X10★	32	1.499	1.503	.390	S	*450120	45
2.352	2.362	.394				1.499	1.503	.390	H	*450120H	45
60,00	60,20	8,00	S	*25X60X8★	32	1.499	1.503	.390	S	*470120	47
2.362	2.370	.315				1.499	1.503	.390	N	*470120N	47
61,75	62,00	8,00	S	*25X62X8★	32	1.499	1.503	.390	S	*480120	48
2.431	2.441	.315				1.499	1.507	.250	S	*340120	34
62,00	62,20	7,00	S	25X62X7★	32	1.502	1.510	.312	S	350909	35
2.441	2.449	.276				1.561	1.565	.250	V	*471270V	47
62,00	62,20	7,00	V	*25X62X7V★	35	1.561	1.565	.250	S	*471270	47
2.441	2.449	.276				1.561	1.565	.375	S	*410449	41
62,00	62,28	10,00	S	25X62X10★	32	1.561	1.565	.375	S	*450449	45
2.441	2.452	.394				1.561	1.565	.375	S	*470449	47
62,00	62,28	10,00	S	222580★	32	1.561	1.565	.375	S	*480449	48
2.441	2.452	.394				1.561	1.566	.375	N	*480449N	48
64,75	65,00	10,00	S	*25X65X10★	32	1.563	1.569	.187	S	343123	34
2.549	2.559	.394				1.575	1.579	.250	S	*473380	47
65,75	66,00	8,50	S	*25X66X8.5★	32	1.575	1.579	.312	S	*471618	47
2.588	2.598	.335				1.575	1.579	.375	S	*410818	41
69,75	70,00	10,00	S	*25X70X10★	32	1.575	1.579	.375	S	*450818	45
2.746	2.756	.394				1.624	1.628	.250	S	*471649	47
71,75	72,00	8,00	S	*25X72X8★	32	1.624	1.628	.250	A	471649A	47
2.825	2.835	.315				1.624	1.628	.250	V	*471649V	47
79,72	80,00	10,00	S	*25X80X10★	32	1.624	1.628	.250	S	*481649	48
3.139	3.150	.394				1.624	1.628	.250	N	*481649N	48
						1.624	1.628	.312	S	*411662	41
						1.624	1.628	.312	S	*451662	45
						1.624	1.628	.312	V	*451662V	45
						1.624	1.628	.312	S	*471662	47
						1.624	1.628	.312	S	*481662	48
						1.624	1.628	.312	H	*481662H	48
		.313		99101	Redi-Sleeve	1.624	1.628	.437	S	*410219	41
						1.624	1.628	.437	N	*410219N	41
1.247	1.253	.187	S	343098	34	1.624	1.628	.437	S	*450219	45
1.250	1.254	.536	S	6847S	#	1.624	1.628	.437	H	*450219H	45
1.250	1.260	.125	S	240731	24	1.624	1.628	.437	N	*450219N	45
1.312	1.318	.125	S	342517	34	1.624	1.628	.437	S	470219	47
1.322	1.328	.210	S	710059	48	1.624	1.628	.437	N	*470219N	47
1.375	1.379	.187	S	441130	44	1.624	1.628	.437	S	*480219	48
1.375	1.379	.187	N	*441130N	44	1.624	1.628	.437	S	*481239	48
1.375	1.379	.250	S	*252277	25	1.625	1.629	.375	S	*481239	48
1.375	1.379	.250	V	*252277V	25	1.686	1.690	.250	S	*474250	47
1.375	1.379	.250	S	712026	#	1.689	1.693	.250	S	*41465S	4S
1.437	1.441	.250	T	39910	W	1.689	1.693	.250	S	471465	47
1.437	1.441	.250	S	42311S	4S	1.752	1.756	.250	S	40230S	4S
1.437	1.441	.250	S	330414	33	1.752	1.756	.250	S	*471689	47
1.437	1.441	.250	N	*330414N	33	1.752	1.756	.250	A	471689A	47
1.437	1.441	.250	S	*472311	47	1.752	1.756	.250	V	*471689V	47
1.437	1.441	.250	V	*472311V	47	1.752	1.756	.250	S	*481689	48
1.437	1.445	.250	S	350414	35	1.752	1.756	.250	N	*481689N	48
1.437	1.447	.187	S	240414	24	1.752	1.756	.312	S	*411703	41
1.499	1.503	.250	L	*40120	4L	1.752	1.756	.312	N	*411703N	41
1.499	1.503	.250	S	41224S	4S	1.752	1.756	.312	S	*451703	45
1.499	1.503	.250	S	*451224	45	1.752	1.756	.312	S	*471703	47
1.499	1.503	.250	S	*471224	47	1.752	1.756	.312	S	*481703	48
1.499	1.503	.250	A	471224A	47	1.752	1.756	.313	S	712013	#
1.499	1.503	.250	N	*471224N	47	1.752	1.756	.375	S	*450541	45
1.499	1.503	.250	V	*471224V	47	1.752	1.756	.375	S	*470541	47
1.499	1.503	.250	S	*481224	48	1.752	1.756	.375	N	*470541N	47
1.499	1.503	.250	H	*481224H	48	1.752	1.756	.375	S	*480541	48
1.499	1.503	.250	V	481224V	48	1.752	1.756	.437	S	*410230	41
1.499	1.503	.250	S	712016	#	1.752	1.756	.437	S	*450230	45
1.499	1.503	.312	F	5857	29	1.752	1.756	.437	N	*450230N	45
1.499	1.503	.312	S	*410553	41	1.752	1.756	.437	S	470230	47
1.499	1.503	.312	S	*450553	45	1.752	1.756	.437	H	*470230H	47
1.499	1.503	.312	H	*450553H	45	1.752	1.756	.437	S	*480230	48
1.499	1.503	.312	S	470553	47	1.780	1.785	.468	S	203005	203
1.499	1.503	.312	H	*470553H	47	1.780	1.785	.468	S	204005	204
1.499	1.503	.312	N	*470553N	47	1.780	1.785	.468	F	205005	205
1.499	1.503	.312	S	*480553	48	1.828	1.832	.296	S	*450593	45

For Illustration and Material Data See Technical Section

Designed For A Specific Application - Not Recommended For General Use ◀▶ Hydrodynamic Lip Design-Bidirectional

* The U.S. customer service number is 877-4-TIMKEN. The Canadian customer service numbers are 800-565-4927 (English) and 800-565-0438 (French-Canadian). ★ Metric Seal

Hsg. Bore	Seal O.D.	Seal Width	Lip Mat'l	Part No.	Type/ Illus.	Hsg. Bore	Seal O.D.	Seal Width	Lip Mat'l	Part No.	Type/ Illus.
1.000" SHAFT (cont.)						26,00mm (1.024") SHAFT (cont.)					
1.828	1.832	.296	S	470593	47	35,80	36,00	5,00	S	*26X36X5★	32
1.828	1.832	.375	S	*452336	45	1.409	1.417	.197			
1.828	1.832	.375	S	*482336	48	35,80	36,00	7,00	S	*26X36X7★	32
1.828	1.832	.437	S	*50041S	5S	1.409	1.417	.276			
1.828	1.832	.437	S	*410041	41	36,80	37,00	8,00	S	*26X37X8★	32
1.828	1.832	.437	S	*450041	45	1.449	1.457	.315			
1.828	1.832	.437	N	*450041N	45	37,00	37,20	7,00	S	26X37X7★	32
1.828	1.832	.437	S	470041	47	1.457	1.465	.276			
1.828	1.832	.437	S	*480041	48	37,80	38,00	7,00	S	*26X38X7★	32
1.874	1.878	.250	S	471733	47	1.488	1.496	.276			
1.874	1.878	.250	N	*471733N	47	37,80	38,00	8,00	S	*26X38X8★	32
1.874	1.878	.250	S	*481733	48	1.488	1.496	.315			
1.874	1.878	.375	S	*482522	48	38,00	38,20	5,00	S	26X38X5★	32
1.874	1.878	.437	S	*410233	41	1.496	1.504	.197			
1.874	1.878	.437	S	*450233	45	38,00	38,20	8,00	N	222630★	32
1.874	1.878	.437	S	*470233	47	1.496	1.504	.315			
1.874	1.878	.437	S	*480233	48	39,80	40,00	8,00	S	*26X40X8★	32
1.936	1.948	.187	S	240462	24	1.567	1.575	.315			
1.936	1.948	.187	N	*240462N	24	39,80	40,00	10,00	S	*26X40X10★	32
1.983	1.987	.250	S	471744	47	1.567	1.575	.394			
1.983	1.987	.437	S	*450549	45	40,00	40,20	7,00	S	26X40X7★	32
2.000	2.004	.250	S	401575	4S	1.575	1.583	.276			
2.000	2.004	.250	S	471760	47	41,10	41,30	10,00	S	*26X41.3X10★	32
2.000	2.004	.250	A	471760A	47	1.618	1.626	.394			
2.000	2.004	.250	V	471760V	47	41,80	42,00	8,00	S	*26X42X8★	32
2.000	2.004	.250	S	*481760	48	1.646	1.654	.315			
2.000	2.004	.312	S	*452997	45	42,00	42,20	7,00	S	26X42X7★	32
2.000	2.004	.375	S	*471770	47	1.654	1.661	.276			
2.000	2.004	.375	S	*481770	48	42,00	42,20	8,00	S	710399★➔	32
2.000	2.004	.437	S	*410157	41	1.654	1.661	.315			
2.000	2.004	.437	S	*450157	45	42,00	42,23	10,00	S	26X42X10★	32
2.000	2.004	.437	S	*470157	47	1.654	1.663	.394			
2.000	2.004	.437	S	*480157	48	42,80	43,00	8,00	S	*26X43X8★	32
2.000	2.004	.500	S	*484211	48	1.685	1.693	.315			
2.047	2.051	.312	S	472138	47	43,80	44,00	7,00	S	*26X44X7★	32
2.047	2.051	.312	N	*472138N	47	1.724	1.732	.276			
2.062	2.066	.250	S	471619	47	44,00	44,20	8,00	S	710153★	#
2.062	2.066	.375	S	453165	45	1.732	1.740	.315			
2.062	2.066	.437	S	*410187	41	44,80	45,00	7,00	S	*26X45X7★	32
2.062	2.066	.437	S	*450187	45	1.764	1.772	.276			
2.062	2.066	.437	S	*470187	47	44,80	45,00	10,00	S	*26X45X10★	32
2.062	2.066	.437	S	*480187	48	1.764	1.772	.394			
2.106	2.110	.468	S	*291190	29	45,00	45,20	8,00	S	*26X45X8★	32
2.441	2.445	.375	S	471516	47	1.772	1.780	.315			
2.441	2.447	.375	S	321516	32	46,00	46,20	8,00	S	*26X46X8★	32
2.533	2.537	.250	S	472539	47	1.811	1.819	.315			
2.812	2.817	1.156	N	*6855N	1S	46,80	47,00	6,00	S	*26X47X6★	32
2.875	2.879	.468	S	*3126	41	1.842	1.850	.236			
2.875	2.879	.468	S	*452744	45	46,80	47,00	8,00	S	*26X47X8★	32
						1.842	1.850	.315			
						46,80	47,00	10,00	S	*26X47X10★	32
						1.842	1.850	.394			
						46,80	47,00	11,00	S	*26X47X11★	32
						1.842	1.850	.433			
						46,80	47,00	12,00	S	*26X47X12★	32
38,50	38,70	8,50	S	710303★	35	1.842	1.850	.472			
1.516	1.524	.335				47,00	47,23	7,00	S	26X47X7★	32
						1.850	1.859	.276			
						47,80	48,00	8,00	S	*26X48X8★	32
						1.882	1.890	.315			
34,80	35,00	7,00	S	*25.7X35X7★	32	48,00	48,23	7,00	S	26X48X7★	32
1.370	1.378	.276				1.890	1.899	.276			
						48,00	48,23	7,00	S	222655★	32
						1.890	1.899	.276			
						49,80	50,00	7,00	S	*26X50X7★	32
						1.961	1.969	.276			
						49,80	50,00	10,00	S	*26X50X10★	32
						1.961	1.969	.394			
		.313		99103	Redi-Sleeve	50,00	50,20	8,00	S	*26X50X8★	32
34,80	35,00	7,00	S	*26X35X7★	32	1.969	1.976	.315			
1.370	1.378	.276				51,75	52,00	7,00	S	*26X52X7★	32
						2.037	2.047	.276			

For Illustration and Material Data See Technical Section

Designed For A Specific Application - Not Recommended For General Use ➔ Hydrodynamic Lip Design-CW

* The U.S. customer service number is 877-4-TIMKEN. The Canadian customer service numbers are 800-565-4927 (English) and 800-565-0438 (French-Canadian). ★ Metric Seal

Size Section

Hsg. Bore	Seal O.D.	Seal Width	Lip Mat'l	Part No.	Type/ Illus.	Hsg. Bore	Seal O.D.	Seal Width	Lip Mat'l	Part No.	Type/ Illus.
26,00mm (1.024") SHAFT (cont.)						1.062" (1-1/16") SHAFT (cont.)					
52,00	52,20	8,00	S	26X52X8★	32	1.686	1.690	.375	S	470606	47
2,047	2,055	.315				1.689	1.693	.250	S	*481677	48
61,75	62,00	9,00	S	*26X62X9★	32	1.750	1.754	.375	S	*471001	47
2,431	2,441	.354				1.752	1.756	.312	S	*451705	45
71,75	72,00	10,00	S	*26X72X10★	32	1.752	1.756	.312	S	471705	47
2,825	2,835	.394				1.752	1.756	.375	S	*451718	45
1.031" (1-1/32") SHAFT						1.752	1.756	.375	S	*471718	47
-	-	-	S	800250	VRS1	1.752	1.756	.375	S	*481718	48
-	-	-	S	800251	VRS2	1.752	1.756	.437	S	*450232	45
-	-	-	V	800254	VRS1	1.752	1.756	.437	S	*480232	48
1,499	1,503	.390	L	50209	5L	1,828	1,832	.375	S	*452584	45
1,575	1,579	.312	V	471076V	47	1.828	1.832	.375	S	473419	47
1.575	1.579	.312	S	471076	47	1,828	1,832	.375	V	*482584V	48
1,575	1,579	.312	V	471076V	47	1,828	1,832	.437	S	450043	45
1,575	1,579	.312	S	*481076	48	1,828	1,832	.437	S	*480043	48
1,624	1,628	.250	S	481650	48	1.874	1.878	.250	H	*471735H	47
1,624	1,628	.437	S	*450220	45	1,874	1,878	.375	S	*473378	47
1.037" SHAFT						1,874	1,878	.437	S	*450127	45
-	-	-	S	800250	VRS1	1,874	1,878	.437	H	*450127H	45
-	-	-	S	800251	VRS2	1,874	1,878	.437	S	*480127	48
-	-	-	V	800254	VRS1	1,874	1,878	.437	N	*480127N	48
1,575	1,579	.333	S	*4346➔	#	1,938	1,942	.625	F	*205011	205
1.040" SHAFT						1.983	1.987	.437	S	450342	45
-	-	-	S	800250	VRS1	1,983	1,987	.437	N	*450342N	45
-	-	-	S	800251	VRS2	1,983	1,987	.437	S	470342	47
-	-	-	V	800254	VRS1	1,983	1,987	.437	S	*480342	48
1,811	1,815	.280	S	*484132	48	2.000	2.004	.250	S	471762	47
1.044" SHAFT						2,000	2,004	.375	S	*451772	45
.000	1,713	.275	V	710511	32	2,000	2,004	.375	S	471772	47
1.047" SHAFT						2,000	2,004	.375	S	*481772	48
-	-	-	S	800250	VRS1	2,000	2,004	.437	S	*450158	45
-	-	-	S	800251	VRS2	2,000	2,004	.437	S	*480158	48
-	-	-	V	800254	VRS1	2.062	2.066	.375	S	473420	47
1,811	1,815	.285	S	710053	48	2,062	2,066	.437	S	*450628	45
1.055" SHAFT						2,062	2,066	.437	S	*480628	48
-	-	-	S	800250	VRS1	2,750	2,754	.437	S	*204084	204
-	-	-	S	800251	VRS2	2.835	2.839	.375	S	472953	47
-	-	-	V	800254	VRS1	2,835	2,839	.375	V	472953V	47
1,500	1,504	.268	S	9376	68	27,00mm (1.063") SHAFT					
1.062" (1-1/16") SHAFT						-	-	-	S	800250	VRS1
-	-	-	S	800250	VRS1	-	-	-	S	800251	VRS2
-	-	-	S	800251	VRS2	-	-	-	V	800254	VRS1
-	-	-	V	800254	VRS1	-	-	.313		99106	Redi-Sleeve
-	-	.313		99106	Redi-Sleeve	35,80	36,00	6,00	S	*27X36X6★	32
1.499	1.503	.312	S	480210	48	1,409	1,417	.236			
1,499	1,503	.312	H	*480210H	48	36,80	37,00	8,50	S	*27X37X8.5★	32
1,499	1,503	.390	S	*450210	45	1,449	1,457	.335			
1,499	1,507	.250	S	340210	34	37,00	37,15	7,00	S	27X37X7★	35
1.561	1.565	.375	S	450188	45	1,457	1,463	.276			
1,561	1,565	.375	S	*480188	48	37,00	37,20	7,00	V	*27X37X7V★	35
1,575	1,579	.312	S	*481343	48	1,457	1,465	.276			
1,575	1,581	.250	S	3732S➔	48	37,80	38,00	5,00	S	*27X38X5★	32
1.624	1.628	.250	S	471651	47	1,488	1,496	.197			
1,624	1,628	.250	S	*481651	48	37,80	38,00	6,00	S	*27X38X6★	32
1,624	1,628	.312	S	*451664	45	1,488	1,496	.236			
1,624	1,628	.312	N	*451664N	45	39,80	40,00	6,00	S	*27X40X6★	32
1,624	1,628	.437	S	*450221	45	1,567	1,575	.236			
1,624	1,628	.437	S	*480221	48	39,80	40,00	7,00	S	*27X40X7★	32
1,686	1,690	.375	L	*50606	5L	1,567	1,575	.276			
						39,80	40,00	8,00	S	*27X40X8★	32
						1,567	1,575	.315			
						39,80	40,00	10,00	S	*27X40X10★	32
						1,567	1,575	.394			
						39,80	40,00	12,00	S	*27X40X12★	32
						1,567	1,575	.472			
						40,00	40,20	8,00	V	712009★	32
						1,575	1,583	.315			

For Illustration and Material Data See Technical Section

Designed For A Specific Application - Not Recommended For General Use ➔ Hydrodynamic Lip Design-CW

* The U.S. customer service number is 877-4-TIMKEN. The Canadian customer service numbers are 800-565-4927 (English) and 800-565-0438 (French-Canadian). ★ Metric Seal

Hsg. Bore	Seal O.D.	Seal Width	Lip Mat'l	Part No.	Type/ Illus.	Hsg. Bore	Seal O.D.	Seal Width	Lip Mat'l	Part No.	Type/ Illus.
27,00mm (1.063") SHAFT (cont.)						28,00mm (1.102") SHAFT (cont.)					
41,00	41,10	9,50	S	* 1193★	#	34,80	35,00	5,00	S	* 28X35X5★	32
1.614	1.618	.374				1.370	1.378	.197			
41,80	42,00	5,00	S	* 27X42X5★	32	34,80	35,00	7,00	S	* 28X35X7★	32
1.646	1.654	.197				1.370	1.378	.276			
41,80	42,00	8,00	S	* 27X42X8★	32	34,80	35,00	10,00	S	* 28X35X10★	32
1.646	1.654	.315				1.370	1.378	.394			
42,00	42,10	7,00	V	222742★	48	35,80	36,00	7,00	S	* 28X36X7★	32
1.654	1.657	.276				1.409	1.417	.276			
42,00	42,20	7,00	S	27X42X7★	35	37,80	38,00	5,00	S	* 28X38X5★	32
1.654	1.661	.276				1.488	1.496	.197			
42,00	42,23	10,00	S	27X42X10★	35	37,80	38,00	8,00	S	* 28X38X8★	32
1.654	1.663	.394				1.488	1.496	.315			
42,80	43,00	9,00	S	* 27X43X9★	32	38,00	38,20	10,00	S	710347★◀	32
1.685	1.693	.354				1.496	1.504	.394			
43,00	43,20	8,00	S	27X43X8★	32	38,00	38,23	7,00	S	28X38X7★	32
1.693	1.701	.315				1.496	1.505	.276			
43,00	43,20	9,00	H	222743★◀	32	38,00	38,25	7,00	T	712104★➡	PDW
1.693	1.701	.354				1.496	1.506	.276			
43,00	43,25	9,00	N	1990★➡	32	39,80	40,00	9,00	S	* 28X40X9★	32
1.693	1.703	.354				1.567	1.575	.354			
45,00	45,25	8,00	S	27X45X8★	35	39,80	40,00	10,00	S	* 28X40X10★	32
1.772	1.781	.315				1.567	1.575	.394			
45,00	45,25	9,00	N	222745★➡	32	40,00	40,20	7,00	V	* 28X40X7V★	35
1.772	1.781	.354				1.575	1.583	.276			
46,00	46,20	8,00	S	* 27X46X8★	32	40,00	40,20	7,00	S	710325★➡	32
1.811	1.819	.315				1.575	1.583	.276			
46,80	47,00	7,00	S	* 27X47X7★	32	40,00	40,20	8,00	S	28X40X8★	32
1.842	1.850	.276				1.575	1.583	.315			
47,00	47,23	8,00	S	* 27X47X8★	35	40,00	40,26	7,00	S	28X40X7★	32
1.850	1.859	.315				1.575	1.585	.276			
47,00	47,23	10,00	S	27X47X10★	35	40,00	40,31	7,00	S	* 1107★	33
1.850	1.859	.394				1.575	1.587	.276			
48,00	48,20	8,00	S	* 27X48X8★	32	40,00	40,34	7,00	S	222820★	33
1.890	1.898	.315				1.575	1.588	.276			
49,80	50,00	10,00	S	* 27X50X10★	32	41,00	41,10	8,00	T	39869★➡	#
1.961	1.969	.394				1.614	1.618	.315			
50,00	50,20	8,00	S	* 27X50X8★	32	41,00	41,27	7,00	N	222830★◀	32
1.969	1.976	.315				1.614	1.625	.276			
52,00	52,20	8,00	S	27X52X8★	35	41,05	41,25	6,00	S	* 28X41.25X6★	32
2.047	2.055	.315				1.616	1.624	.236			
52,75	53,00	7,00	S	* 27X53X7★	32	41,30	41,50	8,00	S	* 28X41.5X8★	32
2.077	2.087	.276				1.626	1.634	.315			
27,60mm (1.087") SHAFT						28,00mm (1.102") SHAFT (cont.)					
39,80	40,00	5,50	S	* 27.6X40X5.5★	32	41,80	42,00	7,00	S	* 28X42X7★	32
1.567	1.575	.217				1.646	1.654	.236			
1.093" (1-3/32") SHAFT						28,00mm (1.102") SHAFT (cont.)					
-	-	-	S	800280	VRS1	41,80	42,00	10,00	S	* 28X42X10★	32
-	-	-	V	800284	VRS1	1.646	1.654	.394			
1.625	1.628	.312	S	* 482454	48	42,00	42,20	8,00	H	712008★	32
1.828	1.832	.437	S	450044	45	1.654	1.661	.315			
1.874	1.878	.437	H	* 480235H	48	42,00	42,20	8,00	S	* 28X42X8★	35
1.874	1.878	.437	V	* 480235V	48	1.654	1.663	.315			
2.000	2.004	.437	S	450159	45	42,30	42,50	8,00	S	* 28X42.5X8★	32
1.100" SHAFT						28,00mm (1.102") SHAFT (cont.)					
-	-	-	S	800280	VRS1	1.665	1.673	.315			
-	-	-	V	800284	VRS1	42,50	42,72	8,00	S	710216★	35
-	-	.375		99111	Redi-Sleeve	1.685	1.693	.236			
1.572	1.578	.308	N	2503➡	48	1.673	1.682	.315			
1.572	1.578	.308	N	2503N➡	48	42,80	43,00	6,00	S	* 28X43X6★	32
28,00mm (1.102") SHAFT						28,00mm (1.102") SHAFT (cont.)					
-	-	-	S	800280	VRS1	1.685	1.693	.236			
-	-	-	V	800284	VRS1	42,80	43,00	10,00	S	* 28X43X10★	32
-	-	.375		99111	Redi-Sleeve	1.685	1.693	.394			
1.572	1.578	.308	N	2503➡	48	43,00	43,23	7,00	S	710157★➡	32
1.572	1.578	.308	N	2503N➡	48	1.693	1.702	.276			
28,00mm (1.102") SHAFT						28,00mm (1.102") SHAFT (cont.)					
-	-	-	S	800280	VRS1	43,00	43,23	8,00	N	710119★	32
-	-	-	V	800284	VRS1	1.693	1.702	.315			
-	-	.375		99111	Redi-Sleeve	43,80	44,00	7,00	S	* 28X44X7★	32
1.572	1.578	.308	N	2503➡	48	1.724	1.732	.276			
1.572	1.578	.308	N	2503N➡	48	43,80	44,00	8,00	S	* 28X44X8★	32
28,00mm (1.102") SHAFT						28,00mm (1.102") SHAFT (cont.)					
-	-	-	S	800280	VRS1	1.724	1.732	.315			
-	-	-	V	800284	VRS1	44,00	44,20	6,00	N	222835★	32
-	-	.375		99111	Redi-Sleeve	1.732	1.740	.236			

For Illustration and Material Data See Technical Section

Designed For A Specific Application - Not Recommended For General Use ➡ Hydrodynamic Lip Design-CW ◀ Hydrodynamic Lip Design-CCW

* The U.S. customer service number is 877-4-TIMKEN. The Canadian customer service numbers are 800-565-4927 (English) and 800-565-0438 (French-Canadian). ★ Metric Seal

Size Section

Hsg. Bore	Seal O.D.	Seal Width	Lip Mat'l	Part No.	Type/ Illus.	Hsg. Bore	Seal O.D.	Seal Width	Lip Mat'l	Part No.	Type/ Illus.
28,00mm (1.102") SHAFT (cont.)						1.125" (1-1/8") SHAFT (cont.)					
44,00	44,23	6,00	N	28X44X6★	32	-	-	-	V	800284	VRS1
1.732	1.741	.236				-	-	.313		99112	Redi-Sleeve
44,80	45,00	7,00	S	*28X45X7★	32	1.375	1.381	.125	S	340835	34
1.764	1.772	.276				1.438	1.444	.215	S	313842	31
44,80	45,00	8,70	S	*28X45X8.7★	32	1.494	1.505	.250	S	340815	34
1.764	1.772	.343				1.500	1.504	.250	S	1037	35
44,80	45,00	10,00	S	*28X45X10★	32	1.502	1.506	.250	S	312140	31
1.764	1.772	.394				1.561	1.565	.250	N	472560N	47
45,00	45,20	7,00	V	*28X45X7V★	35	1.561	1.565	.250	V	*472560V	47
1.772	1.780	.276				1.561	1.565	.375	S	50151S	5S
45,00	45,20	8,00	S	28X45X8★	32	1.561	1.567	.250	S	352560	35
1.772	1.780	.315				1.561	1.569	.250	S	340151	34
46,00	46,20	8,00	S	*28X46X8★	32	1.561	1.572	.187	S	240151	24
1.811	1.819	.315				1.562	1.566	.220	S	7941	44
46,80	47,00	6,00	S	*28X47X6★	32	1.563	1.583	.375	S	*712140	35
1.842	1.850	.236				1.564	1.568	.250	S	43072S	4S
46,80	47,00	9,00	S	*28X47X9★	32	1.624	1.628	.190	N	3638➔	48
1.842	1.850	.354				1.624	1.628	.245	S	482208	48
46,80	47,00	10,00	S	*28X47X10★	32	1.624	1.628	.250	S	471652	47
1.842	1.850	.394				1.624	1.628	.250	A	471652A	47
46,89	47,00	8,00	S	*333860★	33	1.624	1.628	.250	H	*471652H	47
1.846	1.850	.315				1.624	1.628	.250	N	*471652N	47
47,00	47,20	7,00	V	*28X47X7V★	35	1.624	1.628	.250	N	*471652N	47
1.850	1.858	.276				1.624	1.628	.250	V	471652V	47
47,00	47,22	7,00	S	28X47X7★	32	1.624	1.628	.250	S	*481652	48
1.850	1.859	.276				1.624	1.628	.250	N	*481652N	48
47,00	47,22	8,00	S	*28X47X8★	33	1.624	1.628	.250	V	481652V	48
1.850	1.859	.315				1.624	1.628	.312	S	*411100	41
47,00	47,22	8,00	N	222860★➔	32	1.624	1.628	.312	N	*411100N	41
1.850	1.859	.315				1.624	1.628	.312	S	*451100	45
47,80	48,00	7,00	S	*28X48X7★	32	1.624	1.628	.312	H	*451100H	45
1.882	1.890	.276				1.624	1.628	.312	N	*451100N	45
47,80	48,00	11,00	S	*28X48X11★	32	1.624	1.628	.312	S	471100	47
1.882	1.890	.433				1.624	1.628	.312	N	*471100N	47
48,00	48,20	8,00	S	28X48X8★	32	1.624	1.628	.312	S	*481100	48
1.890	1.898	.315				1.624	1.628	.437	S	*410381	41
49,80	50,00	10,00	S	*28X50X10★	32	1.624	1.628	.437	S	*450381	45
1.961	1.969	.394				1.624	1.628	.437	S	*470381	47
50,00	50,20	8,00	S	*28X50X8★	32	1.624	1.628	.437	S	*480381	48
1.969	1.976	.315				1.630	1.634	.313	S	710181	#
50,75	51,00	10,00	S	*28X51X10★	32	1.630	1.634	.313	S	710285	#
1.998	2.008	.394				1.689	1.693	.250	S	*481678	48
51,75	52,00	6,00	S	*28X52X6★	32	1.752	1.756	.250	V	471692V	47
2.037	2.047	.236				1.752	1.756	.250	S	471692	47
51,75	52,00	8,00	S	*28X52X8★	32	1.752	1.756	.250	A	471692A	47
2.037	2.047	.315				1.752	1.756	.250	N	*471692N	47
51,75	52,00	10,00	S	*28X52X10★	32	1.752	1.756	.250	S	*481692	48
2.037	2.047	.394				1.752	1.756	.312	S	*411706	41
52,00	52,20	7,00	V	*28X52X7V★	32	1.752	1.756	.312	S	*451706	45
2.047	2.055	.276				1.752	1.756	.312	S	*471706	47
52,00	52,23	7,00	S	28X52X7★	32	1.752	1.756	.312	N	*471706N	47
2.047	2.056	.276				1.752	1.756	.312	S	*481706	48
2.087	2.091	.378	S	710433	#	1.752	1.756	.375	S	*451133	45
55,75	56,00	6,00	S	*28X56X6★	32	1.752	1.756	.375	S	*471133	47
2.195	2.205	.236				1.752	1.756	.375	S	*481133	48
55,75	56,00	7,00	S	*28X56X7★	32	1.752	1.756	.437	S	*410189	41
2.195	2.205	.276				1.752	1.756	.437	S	*450189	45
57,75	58,00	6,00	S	*28X58X6★	32	1.752	1.756	.437	H	*450189H	45
2.273	2.283	.236				1.752	1.756	.437	S	470189	47
57,75	58,00	10,00	S	*28X58X10★	32	1.752	1.756	.437	H	470189H	47
2.273	2.283	.394				1.752	1.756	.437	N	*470189N	47
61,75	62,00	10,00	S	*28X62X10★	32	1.752	1.756	.437	S	*480189	48
2.431	2.441	.394				1.752	1.756	.437	H	*480189H	48
28,50mm (1.122") SHAFT						1.780	1.785	.250	S	204505	204
39,30	39,50	9,50	S	*28.5X39.5X9.5★	32	1.780	1.785	.468	S	203020	203
1.547	1.555	.374				1.780	1.785	.468	S	204020	204
1.125" (1-1/8") SHAFT						1.781	1.785	.468	F	*205020	205
-	-	-	S	800280	VRS1	1.781	1.787	.406	S	323133	32
						1.828	1.832	.312	S	476838	47
						1.828	1.832	.375	S	*451258	45
						1.828	1.832	.375	S	*481258	48
						1.828	1.832	.437	S	*410045	41

SIZE SECTION

For Illustration and Material Data See Technical Section

Designed For A Specific Application - Not Recommended For General Use ➔ Hydrodynamic Lip Design-CW

* The U.S. customer service number is 877-4-TIMKEN. The Canadian customer service numbers are 800-565-4927 (English) and 800-565-0438 (French-Canadian). ★ Metric Seal

Hsg. Bore	Seal O.D.	Seal Width	Lip Mat'l	Part No.	Type/ Illus.	Hsg. Bore	Seal O.D.	Seal Width	Lip Mat'l	Part No.	Type/ Illus.
1.125" (1-1/8") SHAFT (cont.)						1.125" (1-1/8") SHAFT (cont.)					
1.828	1.832	.437	S	*450045	45	2.441	2.445	.375	V	472681V	47
1.828	1.832	.437	H	*450045H	45	2.533	2.537	.250	S	472535	47
1.828	1.832	.437	N	*450045N	45	2.835	2.839	.375	S	472954	47
1.828	1.832	.437	V	*450045V	45	2.835	2.839	.375	V	472954V	47
1.828	1.832	.437	S	470045	47	2.875	2.879	.468	S	450430	45
1.828	1.832	.437	S	*480045	48	28,60mm (1.126") SHAFT					
1.850	1.859	.312	S	350974	35	-	-	-	S	800280	VRS1
1.874	1.878	.250	S	470712	47	-	-	-	V	800284	VRS1
1.874	1.878	.250	A	470712A	47	-	-	.313		99112	Redi-Sleeve
1.874	1.878	.250	N	*470712N	47	39,80	40,00	8,00	S	*28.6X40X8★	32
1.874	1.878	.250	V	470712V	47	1.567	1.575	.315			
1.874	1.878	.250	S	*480712	48	43,00	43,15	6,50	S	1989★	47
1.874	1.878	.375	S	*472523	47	1.693	1.699	.256			
1.874	1.878	.375	S	*482523	48	29,00mm (1.142") SHAFT					
1.874	1.878	.437	S	*410236	41	-	-	-	S	800300	VRS1
1.874	1.878	.437	H	*410236H	41	0,00	37,01	5,00	S	710504★	35
1.874	1.878	.437	S	*450236	45	.000	1.457	.197			
1.874	1.878	.437	H	*450236H	45	42,80	43,00	8,00	S	*29X43X8★	32
1.874	1.878	.437	S	470236	47	1.685	1.693	.315			
1.874	1.878	.437	S	*480236	48	43,80	44,00	7,00	S	*29X44X7★	32
1.874	1.878	.625	L	6704	1L	1.724	1.732	.276			
1.935	1.942	.625	S	6832S	204	44,80	45,00	9,00	S	*29X45X9★	32
1.937	1.942	.562	S	203003	203	1.764	1.772	.354			
1.937	1.942	.625	S	*203004	203	45,00	45,23	8,00	S	320595★	32
1.937	1.942	.625	F	205004	205	1.772	1.781	.315			
1.983	1.987	.250	S	471747	47	45,80	46,00	10,00	S	*29X46X10★	32
1.983	1.987	.375	S	472674	47	1.803	1.811	.394			
1.983	1.987	.375	S	*482674	48	46,80	47,00	8,00	S	*29X47X8★	32
1.983	1.987	.437	S	*410182	41	1.842	1.850	.315			
1.983	1.987	.437	S	*450182	45	46,80	47,00	10,00	S	*29X47X10★	32
1.983	1.987	.437	S	*470182	47	1.842	1.850	.394			
1.983	1.987	.437	S	*480182	48	49,80	50,00	10,00	S	*29X50X10★	32
2.000	2.004	.250	S	40160S	4S	1.961	1.969	.394			
2.000	2.004	.250	S	471763	47	55,75	56,00	10,00	S	*29X56X10★	32
2.000	2.004	.250	A	471763A	47	2.195	2.205	.394			
2.000	2.004	.250	V	471763V	47	61,95	62,20	9,00	S	*29X62.2X9★	32
2.000	2.004	.250	S	*481763	48	2.439	2.449	.354			
2.000	2.004	.312	H	*471464H	47	1.145" SHAFT					
2.000	2.004	.375	S	*450426	45	-	-	-	S	800300	VRS1
2.000	2.004	.437	S	*50160	5S	1.765	1.722	.070	S	*8734	#
2.000	2.004	.437	S	*410160	41	1.153" SHAFT					
2.000	2.004	.437	S	*450160	45	-	-	-	S	800300	VRS1
2.000	2.004	.437	S	*470160	47	1.686	1.690	.437	S	*7392S	#
2.000	2.004	.437	S	*480160	48	1.156" (1-5/32") SHAFT					
2.000	2.004	.500	S	*470642	47	-	-	-	S	800300	VRS1
2.047	2.051	.312	S	472644	47	-	-	.375		*99120	Redi-Sleeve
2.047	2.051	.312	V	472644V	47	1.575	1.580	.312	V	250437V	25
2.062	2.066	.250	S	*41785S	4S	1.686	1.690	.250	S	474260	47
2.062	2.066	.250	V	471785	47	1.686	1.690	.375	S	450502	45
2.062	2.066	.250	V	*471785V	47	1.686	1.690	.375	S	*480502	48
2.062	2.066	.375	S	*451135	45	1.752	1.756	.312	S	*451707	45
2.062	2.066	.375	H	*451135H	45	1.752	1.756	.312	S	471707	47
2.062	2.066	.375	S	*481135	48	1.752	1.756	.312	N	471707N	47
2.062	2.066	.375	H	*481135H	48	1.828	1.832	.437	S	450482	45
2.062	2.066	.437	S	*410241	41	1.828	1.832	.437	S	*480482	48
2.062	2.066	.437	S	*450241	45	1.874	1.878	.250	S	471736	47
2.062	2.066	.437	S	470241	47	1.874	1.878	.250	S	*481736	48
2.062	2.066	.437	V	*470241V	47	1.874	1.878	.437	H	*482457H	48
2.062	2.066	.437	S	*480241	48	1.875	1.878	.437	S	*450948	45
2.125	2.129	.250	S	481792	48	1.983	1.987	.250	N	*481748N	48
2.125	2.129	.250	N	*481792N	48	1.983	1.987	.375	S	*480906	48
2.125	2.129	.437	S	*411060	41	1.983	1.987	.437	S	*450046	45
2.125	2.129	.437	S	*451060	45						
2.125	2.129	.437	S	*471060	47						
2.250	2.254	.500	S	450604	45						
2.250	2.254	.500	N	*450604N	45						
2.250	2.254	.500	S	470604	47						
2.250	2.254	.500	S	*480604	48						
2.437	2.441	.468	S	450332	45						
2.441	2.445	.250	S	473259	47						
2.441	2.445	.250	V	*473259V	47						
2.441	2.445	.375	S	472681	47						

For Illustration and Material Data See Technical Section

Designed For A Specific Application - Not Recommended For General Use

* The U.S. customer service number is 877-4-TIMKEN. The Canadian customer service numbers are 800-565-4927 (English) and 800-565-0438 (French-Canadian). ★ Metric Seal

Size Section

Hsg. Bore	Seal O.D.	Seal Width	Lip Mat'l	Part No.	Type/ Illus.	Hsg. Bore	Seal O.D.	Seal Width	Lip Mat'l	Part No.	Type/ Illus.
1.156" (1-5/32") SHAFT (cont.)						30,00mm (1,181") SHAFT					
1.984	1.988	.250	V	*473428V	47	40,00	40,20	7,00	V	*30X40X7V★	32
1.984	1.988	.250	S	473428	47	1.575	1.583	.276			
2.000	2.004	.250	S	*471764	47	40,00	40,23	7,00	S	30X40X7★	32
2.000	2.004	.375	S	481773	48	1.575	1.584	.276			
2.000	2.004	.437	S	450161	45	40,00	40,23	7,00	S	223005★	48
2.000	2.004	.437	H	*450161H	45	1.575	1.584	.276			
2.000	2.004	.437	V	*450161V	45	40,00	40,25	7,00	S	1129★	35
2.000	2.004	.437	S	*480161	48	1.575	1.585	.276			
2.062	2.066	.375	S	*473427	47	30,00mm (1.181") SHAFT					
2.062	2.066	.437	S	*450051	45	40,80	41,00	7,00	S	*30X41X7★	32
2.062	2.066	.437	V	*450051V	45	1.606	1.614	.276			
2.062	2.066	.437	S	*470051	47	41,80	42,00	4,50	S	*30X42X4.5★	32
2.125	2.129	.437	S	*450362	45	1.646	1.654	.177			
2.125	2.129	.437	S	470362	47	41,80	42,00	8,00	S	*30X42X8★	32
2.250	2.254	.500	S	*450600	45	1.646	1.654	.315			
2.834	2.839	.375	S	*472239	47	41,80	42,00	10,00	S	*30X42X10★	32
						1.646	1.654	.394			
1.170" SHAFT						30,00mm (1,181") SHAFT					
-	-	-	S	800300	VRS1	42,00	42,20	7,00	S	30X42X7★	35
2.000	2.004	.250	S	*43069S	4S	1.654	1.661	.276			
2.031	2.035	.375	S	*451182	45	42,00	42,20	7,00	V	*30X42X7V★	32
1.175" SHAFT						30,00mm (1,181") SHAFT					
-	-	-	S	800300	VRS1	1.654	1.661	.276			
-	-	.313		*99122	Redi-Sleeve	42,00	42,20	7,00	S	223010★➔	32
1.771	1.775	.275	S	483488➔	48	1.654	1.661	.276			
1.828	1.832	.312	N	483054N	48	42,00	42,27	7,00	S	1970★	35
1.828	1.832	.312	V	*483054V	48	1.654	1.664	.276			
1.178" SHAFT						30,00mm (1.181") SHAFT					
-	-	-	S	800300	VRS1	42,80	43,00	7,00	S	*30X43X7★	32
-	-	.313		*99122	Redi-Sleeve	1.685	1.693	.276			
1.654	1.659	.276	N	*3241	33	42,80	43,00	8,00	S	*30X43X8★	32
2.447	2.452	.500	V	4813V➔	86	1.685	1.693	.315			
30,00mm (1,181") SHAFT						30,00mm (1.181") SHAFT					
-	-	-	S	800300	VRS1	42,80	43,00	8,50	S	*30X43X8.5★	32
-	-	.315		99114	Redi-Sleeve	1.685	1.693	.335			
0,00	61,20	9,00	S	710516★	#	42,80	43,00	9,00	S	*30X43X9★	32
.000	2.409	.354				1.685	1.693	.354			
30,00mm (1.181") SHAFT						30,00mm (1,181") SHAFT					
36,80	37,00	6,00	S	*30X37X6★	32	43,80	44,00	9,00	S	*30X44X9★	32
1.449	1.457	.236				1.724	1.732	.354			
30,00mm (1,181") SHAFT						30,00mm (1.181") SHAFT					
37,00	37,30	3,50	S	710401★	#	43,80	44,00	10,00	S	*30X44X10★	32
1.457	1.461	.138				1.724	1.732	.394			
30,00mm (1.181") SHAFT						30,00mm (1,181") SHAFT					
37,80	38,00	5,00	S	*30X38X5★	32	44,00	44,20	7,00	N	223012★➔	32
1.488	1.496	.197				1.732	1.740	.276			
37,80	38,00	6,00	S	*30X38X6★	32	44,00	44,28	7,00	S	30X44X7★	32
1.488	1.496	.236				1.732	1.743	.276			
37,80	38,00	7,00	S	*30X38X7★	32	30,00mm (1.181") SHAFT					
1.488	1.496	.276				44,30	44,50	7,00	S	*30X44.5X7★	32
39,80	40,00	5,00	S	*30X40X5★	32	1.744	1.752	.276			
1.567	1.575	.197				44,80	45,00	6,00	S	*30X45X6★	32
39,80	40,00	8,00	S	*30X40X8★	32	1.764	1.772	.236			
1.567	1.575	.315				44,80	45,00	7,00	S	*30X45X7★	32
39,80	40,00	10,00	S	*30X40X10★	32	1.764	1.772	.276			
1.567	1.575	.394				44,80	45,00	10,00	S	*30X45X10★	32
39,80	40,00	12,00	S	*30X40X12★	32	1.764	1.772	.394			
1.567	1.575	.472				44,80	45,00	13,00	S	*30X45X13★	32
						1.764	1.772	.512			
30,00mm (1,181") SHAFT						30,00mm (1,181") SHAFT					
						45,00	45,22	5,00	S	30X45X5★	32
						1.772	1.780	.197			
						45,00	45,20	6,00	S	223014★	32
						1.772	1.780	.236			

SIZE SECTION

For Illustration and Material Data See Technical Section

Designed For A Specific Application - Not Recommended For General Use ➔ Hydrodynamic Lip Design-CW

* The U.S. customer service number is 877-4-TIMKEN. The Canadian customer service numbers are 800-565-4927 (English) and 800-565-0438 (French-Canadian). ★ Metric Seal

Hsg. Bore	Seal O.D.	Seal Width	Lip Mat'l	Part No.	Type/ Illus.	Hsg. Bore	Seal O.D.	Seal Width	Lip Mat'l	Part No.	Type/ Illus.
30,00mm (1,181") SHAFT (cont.)						30,00mm (1,181") SHAFT					
45,00	45,20	8,00	S	30X45X8★	32	50,00	50,20	8,00	S	30X50X8★	48
1.772	1.780	.315				1.969	1.976	.315			
45,00	45,20	8,00	V	*30X45X8V★	35	50,00	50,20	10,00	V	*30X50X10V★	35
1.772	1.780	.315				1.969	1.976	.394			
45,00	45,20	8,00	S	710359★◀	#	50,00	50,23	7,00	S	30X50X7★	32
1.772	1.780	.315				1.969	1.978	.276			
45,00	45,20	15,00	S	2016★◀	#	50,00	50,23	7,00	S	223050★➔	32
1.772	1.780	.591				1.969	1.978	.276			
45,00	45,23	8,00	S	1981★	35	30,00mm (1,181") SHAFT					
1.772	1.781	.315				50,75	51,00	10,00	S	*30X51X10★	32
30,00mm (1,181") SHAFT						1.998	2.008	.394			
45,80	46,00	8,00	S	*30X46X8★	32	51,75	52,00	8,00	S	*30X52X8★	32
1.803	1.811	.315				2.037	2.047	.315			
30,00mm (1,181") SHAFT						51,75	52,00	10,00	S	*30X52X10★	32
46,00	46,20	7,00	S	30X46X7★	32	2.037	2.047	.394			
1.811	1.819	.276				51,75	52,00	11,00	S	*30X52X11★	32
46,00	46,23	7,00	S	223018★	32	2.037	2.047	.433			
1.811	1.820	.276				51,75	52,00	12,00	S	*30X52X12★	32
46,00	46,30	8,00	N	712001★➔	32	2.037	2.047	.472			
1.811	1.823	.315				30,00mm (1,181") SHAFT					
30,00mm (1,181") SHAFT						52,00	52,18	7,00	S	223035★	35
46,80	47,00	5,00	S	*30X47X5★	32	2.047	2.054	.276			
1.842	1.850	.197				52,00	52,20	10,00	V	*30X52X10V★	32
46,80	47,00	6,00	S	*30X47X6★	32	2.047	2.055	.394			
1.842	1.850	.236				52,00	52,23	7,00	S	30X52X7★	35
46,80	47,00	8,00	S	*30X47X8★	32	2.047	2.056	.276			
1.842	1.850	.315				30,00mm (1,181") SHAFT					
46,80	47,00	10,00	S	*30X47X10★	32	53,75	54,00	9,00	S	*30X54X9★	32
1.842	1.850	.394				2.116	2.126	.354			
30,00mm (1,181") SHAFT						30,00mm (1,181") SHAFT					
47,00	47,20	7,00	V	*30X47X7V★	32	54,00	54,20	9,00	S	710267★	32
1.850	1.858	.276				2.126	2.134	.354			
47,00	47,25	7,00	S	30X47X7★	32	30,00mm (1,181") SHAFT					
1.850	1.860	.276				54,75	55,00	8,00	S	*30X55X8★	32
47,00	47,25	8,00	S	223020★	35	2.155	2.165	.315			
1.850	1.860	.315				54,75	55,00	11,00	S	*30X55X11★	32
30,00mm (1,181") SHAFT						2.155	2.165	.433			
47,80	48,00	7,00	S	*30X48X7★	32	54,75	55,00	12,00	S	*30X55X12★	32
1.882	1.890	.276				2.155	2.165	.472			
47,80	48,00	10,00	S	*30X48X10★	32	30,00mm (1,181") SHAFT					
1.882	1.890	.394				55,00	55,20	7,00	S	30X55X7★	47
30,00mm (1,181") SHAFT						2.165	2.173	.276			
48,00	48,28	8,00	S	30X48X8★	32	55,00	55,20	10,00	V	*30X55X10V★	32
1.890	1.901	.315				2.165	2.173	.394			
48,00	48,30	8,00	S	714619★	35	55,00	55,28	10,00	S	30X55X10★	35
1.890	1.902	.315				2.165	2.176	.394			
30,00mm (1,181") SHAFT						30,00mm (1,181") SHAFT					
48,30	48,50	8,00	S	*30X48.5X8★	32	55,75	56,00	10,00	S	*30X56X10★	32
1.901	1.909	.315				2.195	2.205	.394			
48,80	49,00	8,00	S	*30X49X8★	32	55,75	56,00	12,00	S	*30X56X12★	32
1.921	1.929	.315				2.195	2.205	.472			
49,80	50,00	10,00	S	*30X50X10★	32	30,00mm (1,181") SHAFT					
1.961	1.969	.394				56,00	56,20	8,00	S	30X56X8★	35
49,80	50,00	11,00	S	*30X50X11★	32	2.205	2.213	.315			
1.961	1.969	.433				30,00mm (1,181") SHAFT					
49,80	50,00	11,00	S	*30X50X11★	32	30,00mm (1,181") SHAFT					
1.961	1.969	.433				30,00mm (1,181") SHAFT					
49,80	50,00	12,00	S	*30X50X12★	32	30,00mm (1,181") SHAFT					
1.961	1.969	.472				30,00mm (1,181") SHAFT					

For Illustration and Material Data See Technical Section

Designed For A Specific Application - Not Recommended For General Use ➔ Hydrodynamic Lip Design-CW ◀ Hydrodynamic Lip Design-CCW

* The U.S. customer service number is 877-4-TIMKEN. The Canadian customer service numbers are 800-565-4927 (English) and 800-565-0438 (French-Canadian). ★ Metric Seal

Hsg. Bore	Seal O.D.	Seal Width	Lip Mat'l	Part No.	Type/ Illus.	Hsg. Bore	Seal O.D.	Seal Width	Lip Mat'l	Part No.	Type/ Illus.
1.187" (1-3/16") SHAFT (cont.)						1.218" SHAFT (cont.)					
2.000	2.004	.250	S	*481765	48	1.983	1.987	.437	S	450048	45
2.000	2.004	.437	S	*410162	41	2.000	2.004	.437	S	450173	45
2.000	2.004	.437	N	*410162N	41	2.062	2.066	.375	S	*454242	45
2.000	2.004	.437	S	*450162	45	31,00mm (1.220") SHAFT					
2.000	2.004	.437	N	*450162N	45	-	-	-	S	800300	VRS1
2.000	2.004	.437	S	470162	47	-	-	-	S	800320	VRS1
2.000	2.004	.437	N	*470162N	47	-	-	-	S	800321	VRS2
2.000	2.004	.437	S	*480162	48	-	-	-	V	800324	VRS1
2.047	2.051	.250	S	43076S	4S	-	-	.315		99123	Redi-Sleeve
2.047	2.051	.437	S	453063	45	-	-				
2.062	2.066	.250	S	471354	47	42,00	42,20	8,00	V	710172★	35
2.062	2.066	.250	S	*481354	48	1.654	1.661	.315			
2.062	2.066	.250	N	*481354N	48	44,00	44,20	8,00	S	31X44X8★	32
2.062	2.066	.375	S	*452585	45	1.732	1.740	.315			
2.062	2.066	.375	S	*482585	48	46,00	46,20	8,00	N	710332★◀	32
2.062	2.066	.437	S	*410052	41	1.811	1.819	.315			
2.062	2.066	.437	S	*450052	45	46,00	46,28	8,00	V	1121★◀	32
2.062	2.066	.437	S	*470052	47	1.811	1.822	.315			
2.062	2.066	.437	S	*480052	48	46,80	47,00	10,00	S	*31X47X10★	32
2.125	2.129	.250	S	473205	47	1.842	1.850	.394			
2.125	2.129	.250	S	*483205	48	48,80	49,00	7,00	S	*31X49X7★	32
2.125	2.129	.375	S	*413293	41	1.921	1.929	.276			
2.125	2.129	.375	N	*413293N	41	49,80	50,00	8,00	S	*31X50X8★	32
2.125	2.129	.437	S	*410152	41	1.961	1.969	.315			
2.125	2.129	.437	N	*410152N	41	51,75	52,00	6,00	S	*31X52X6★	32
2.125	2.129	.437	S	*450152	45	2.037	2.047	.236			
2.125	2.129	.437	S	*470152	47	51,75	52,00	7,00	S	*31X52X7★	32
2.125	2.129	.437	S	*480152	48	2.037	2.047	.276			
2.165	2.169	.250	S	472350	47	1.238" SHAFT					
2.165	2.169	.250	S	*482350	48	-	-	-	S	800320	VRS1
2.250	2.254	.250	S	474255	47	-	-	-	S	800321	VRS2
2.250	2.254	.500	S	*410336	41	-	-	-	V	800324	VRS1
2.250	2.254	.500	S	*450336	45	-	-	.315		*99141	Redi-Sleeve
2.250	2.254	.500	H	*450336H	45	2.250	2.254	.500	S	8293S	48
2.250	2.254	.500	S	470336	47	1.247" SHAFT					
2.250	2.254	.500	S	*480336	48	-	-	-	S	800320	VRS1
2.437	2.441	.250	S	474254	47	-	-	-	S	800321	VRS2
2.437	2.441	.468	S	*450347	45	-	-	-	V	800324	VRS1
2.437	2.441	.468	S	470347	47	-	-	.313		99125	Redi-Sleeve
2.441	2.445	.250	S	474256	47	-	2.633	.480	S	8429S	#
2.441	2.445	.375	S	472432	47	1.687	1.691	.312	S	6859S	33
2.686	2.690	.500	S	470946	47	1.250" (1-1/4") SHAFT					
30,20mm (1.189") SHAFT						-	-	-	S	800320	VRS1
-	-	-	S	800300	VRS1	-	-	-	S	800321	VRS2
-	-	.313		99118	Redi-Sleeve	-	-	-	V	800324	VRS1
42,00	42,10	6,00	V	710340★	44	-	-	.313		99125	Redi-Sleeve
1.654	1.657	.236				-	2.633	.480	S	8429S	#
1.190" SHAFT						1.687	1.691	.312	S	6859S	33
-	-	-	S	800300	VRS1	1.250" (1-1/4") SHAFT					
-	-	.313		99118	Redi-Sleeve	-	-	-	S	800320	VRS1
1.889	1.892	.651	V	*4748V◀▶	#	-	-	-	S	800321	VRS2
1.969	1.975	.261	N	*4738N◀▶	48	-	-	-	V	800324	VRS1
1.969	1.975	.312	V	*4738V◀▶	48	-	-	.313		99125	Redi-Sleeve
2.122	2.128	.350	S	710068	#	1.250	1.838	.187	S	240949	24
30,50mm (1.201") SHAFT						1.499	1.505	.125	S	343186	34
51,75	52,00	8,00	S	*30.5X52X8★	32	1.499	1.509	.156	S	240736	24
2.037	2.047	.315				1.625	1.630	.188	S	251511	25
1.218" SHAFT						1.685	1.691	.252	S	323126	32
-	-	-	S	800300	VRS1	1.686	1.690	.375	S	480356	48
-	-	.315		99123	Redi-Sleeve	1.686	1.690	.375	V	*480356V	48
1.968	1.972	.468	S	203016	203	1.686	1.691	.250	S	*473135	47
1.979	1.983	.250	S	441319	44	1.686	1.691	.250	V	473135V	47
1.979	1.983	.406	S	203025	203	1.686	1.691	.250	S	474278	47
						1.686	1.691	.375	S	*330356	33
						1.686	1.692	.219	S	353135	35
						1.686	1.696	.218	S	340356	34
						1.686	1.697	.187	S	240356	24
						1.687	1.693	.250	S	322353	32
						1.750	1.754	.250	H	*7412H	48
						1.750	1.754	.250	S	7412S▶	48

For Illustration and Material Data See Technical Section

Designed For A Specific Application - Not Recommended For General Use ▶ Hydrodynamic Lip Design-CW ◀ Hydrodynamic Lip Design-CCW

◀▶ Hydrodynamic Lip Design-Bidirectional

* The U.S. customer service number is 877-4-TIMKEN. The Canadian customer service numbers are 800-565-4927 (English) and 800-565-0438 (French-Canadian). ★ Metric Seal

Size Section

Hsg. Bore	Seal O.D.	Seal Width	Lip Mat'l	Part No.	Type/ Illus.	Hsg. Bore	Seal O.D.	Seal Width	Lip Mat'l	Part No.	Type/ Illus.
1.250" (1-1/4") SHAFT (cont.)						1.250" (1-1/4") SHAFT (cont.)					
1.750	1.754	.250	S	*9674➔	48	2.000	2.004	.375	S	*480652	48
1.750	1.754	.250	S	712025	#	2.000	2.004	.437	V	470163V	47
1.750	1.754	.375	N	*481203N	48	2.000	2.004	.437	N	*3438N	#
1.750	1.756	.250	U	710014	#	2.000	2.004	.437	S	410163	41
1.752	1.756	.250	S	40140S	4S	2.000	2.004	.437	N	*410163N	41
1.752	1.756	.250	S	471413	47	2.000	2.004	.437	S	*450163	45
1.752	1.756	.250	A	471413A	47	2.000	2.004	.437	N	*450163N	45
1.752	1.756	.250	N	*471413N	47	2.000	2.004	.437	S	470163	47
1.752	1.756	.250	V	471413V	47	2.000	2.004	.437	N	*470163N	47
1.752	1.756	.250	S	*481413	48	2.000	2.004	.437	S	*480163	48
1.752	1.756	.250	V	*481413V	48	2.031	2.035	.375	N	*471781N	47
1.752	1.756	.300	S	*5683++	32	2.047	2.051	.375	S	473551	47
1.752	1.756	.312	S	*411709	41	2.062	2.066	.250	V	471787V	47
1.752	1.756	.312	V	*411709V	41	2.062	2.066	.250	S	41787S	4S
1.752	1.756	.312	S	*451709	45	2.062	2.066	.250	S	*451787	45
1.752	1.756	.312	H	*451709H	45	2.062	2.066	.250	S	471787	47
1.752	1.756	.312	S	471709	47	2.062	2.066	.250	A	471787A	47
1.752	1.756	.312	H	*471709H	47	2.062	2.066	.250	S	*481787	48
1.752	1.756	.312	N	*471709N	47	2.062	2.066	.250	N	*481787N	48
1.752	1.756	.312	V	*471709V	47	2.062	2.066	.375	S	*451134	45
1.752	1.756	.312	S	*481709	48	2.062	2.066	.375	S	*481134	48
1.752	1.756	.375	L	51083	5L	2.062	2.066	.437	S	*410244	41
1.752	1.756	.375	S	*481083	48	2.062	2.066	.437	S	*450244	45
1.752	1.756	.375	N	*481083N	48	2.062	2.066	.437	N	*450244N	45
1.752	1.756	.375	V	*481083V	48	2.062	2.066	.437	S	470244	47
1.752	1.756	.399	S	*5684++	32	2.062	2.066	.437	S	*480244	48
1.752	1.756	.437	S	*450140	45	2.106	2.110	.468	S	*410177	41
1.752	1.756	.437	N	*450140N	45	2.106	2.110	.468	S	450177	45
1.752	1.756	.437	S	*470140	47	2.125	2.129	.250	V	471795V	47
1.752	1.756	.437	N	470140N	47	2.125	2.129	.250	S	471795	47
1.752	1.756	.437	N	*480140N	48	2.125	2.129	.250	N	471795N	47
1.780	1.785	.468	S	*203045	203	2.125	2.129	.250	S	*481795	48
1.812	1.817	.235	T	39713↔	DW-H	2.125	2.129	.268	V	*470368V	47
1.874	1.878	.250	V	471737V	47	2.125	2.129	.437	S	*410245	41
1.874	1.878	.250	S	*40683S	4S	2.125	2.129	.437	S	*450245	45
1.874	1.878	.250	S	471737	47	2.125	2.129	.437	N	*450245N	45
1.874	1.878	.250	S	*481737	48	2.125	2.129	.437	S	470245	47
1.874	1.878	.250	V	*481737V	48	2.125	2.129	.437	S	*480245	48
1.874	1.878	.375	S	*470683	47	2.126	2.130	.375	N	482230N	48
1.874	1.878	.375	S	*480683	48	2.133	2.137	.313	S	*1070	35
1.874	1.878	.437	S	*411246	41	2.250	2.254	.250	S	42081S	4S
1.874	1.878	.437	S	*471246	47	2.250	2.254	.435	S	7686S	25
1.874	1.878	.437	S	*481246	48	2.250	2.254	.500	S	*410165	41
1.955	1.960	.435	S	3199	48	2.250	2.254	.500	S	*450165	45
1.968	1.972	.468	S	*204012	204	2.250	2.254	.500	H	*450165H	45
1.968	1.972	.468	S	6906S	204	2.250	2.254	.500	S	470165	47
1.968	1.972	.468	S	203012	203	2.250	2.254	.500	S	*480165	48
1.979	1.983	.250	S	204507	204	2.252	2.256	.375	S	471801	47
1.979	1.983	.375	S	*470706	47	2.252	2.256	.375	H	*471801H	47
1.979	1.983	.406	S	203029	203	2.252	2.256	.375	S	*481801	48
1.979	1.983	.406	S	204029	204	2.252	2.256	.375	N	*481801N	48
1.979	1.983	.468	S	*204024	204	2.374	2.378	.375	S	471808	47
1.983	1.987	.250	S	7781S	203	2.374	2.378	.375	S	*481808	48
1.983	1.987	.250	S	471750	47	2.374	2.378	.500	S	*410559	41
1.983	1.987	.250	A	471750A	47	2.374	2.378	.500	S	*450559	45
1.983	1.987	.250	V	471750V	47	2.374	2.378	.500	S	*470559	47
1.983	1.987	.250	S	*481750	48	2.374	2.378	.500	S	*480559	48
1.983	1.987	.437	S	*410049	41	2.398	2.402	.228	S	710101↔	#
1.983	1.987	.437	S	*450049	45	2.437	2.441	.250	S	*453760	45
1.983	1.987	.437	N	*450049N	45	2.437	2.441	.375	S	471818	47
1.983	1.987	.437	S	470049	47	2.437	2.441	.375	S	*481818	48
1.983	1.987	.437	S	*480049	48	2.437	2.441	.468	S	*410481	41
2.000	2.004	.250	S	40652S	4S	2.437	2.441	.468	S	*450481	45
2.000	2.004	.250	S	471766	47	2.437	2.441	.468	S	*470481	47
2.000	2.004	.250	A	471766A	47	2.437	2.441	.468	S	*480481	48
2.000	2.004	.250	V	471766V	47	2.441	2.445	.375	S	471407	47
2.000	2.004	.250	S	*481766	48	2.441	2.445	.375	S	*481407	48
2.000	2.004	.290	S	200338	200	2.502	2.506	.375	S	471833	47
2.000	2.004	.375	S	*450652	45	2.502	2.506	.375	S	*481833	48
2.000	2.004	.375	H	*450652H	45	2.502	2.506	.500	S	*411842	41
2.000	2.004	.375	V	*450652V	45	2.561	2.565	.500	N	471845N	47
2.000	2.004	.375	S	*470652	47	2.561	2.565	.500	S	451845	45

SIZE SECTION

For Illustration and Material Data See Technical Section

Designed For A Specific Application - Not Recommended For General Use ➔ Hydrodynamic Lip Design-CW ↔ Hydrodynamic Lip Design-Bidirectional

++ Not Sold Separately

* The U.S. customer service number is 877-4-TIMKEN. The Canadian customer service numbers are 800-565-4927 (English) and 800-565-0438 (French-Canadian).

Hsg. Bore	Seal O.D.	Seal Width	Lip Mat'l	Part No.	Type/ Illus.	Hsg. Bore	Seal O.D.	Seal Width	Lip Mat'l	Part No.	Type/ Illus.
1.250" (1-1/4") SHAFT (cont.)						32,00mm (1.260") SHAFT (cont.)					
2.686	2.690	.375	S	481859	48	45,00	45,23	7,00	S	223230★	32
2.713	2.717	.468	S	*410341	41	1.772	1.781	.276			
2.713	2.717	.468	S	450341	45	45,00	45,23	7,00	S	32X45X7★	32
2.835	2.839	.468	S	*410806	41	1.772	1.781	.276			
2.835	2.839	.468	S	*450806	45	45,80	46,00	7,00	S	*32X46X7★	32
2.835	2.839	.468	S	470806	47	1.803	1.811	.276			
2.835	2.839	.468	S	*480806	48	45,80	46,00	8,00	S	*32X46X8★	32
2.877	2.881	.250	S	472536	47	1.803	1.811	.315			
3.150	3.155	.375	S	*472651	47	46,00	46,20	6,00	N	*324115N★	32
3.150	3.155	.375	V	472651V	47	1.811	1.819	.236			
3.155	3.160	.500	S	453279	45	46,00	46,23	6,00	S	32X46X6★	32
						1.811	1.820	.236			
						46,00	46,23	6,00	N	223235★	32
						1.811	1.820	.236			
			S	800320	VRS1	46,80	47,00	6,00	S	*32X47X6★	32
			S	800321	VRS2	1.842	1.850	.236			
			V	800324	VRS1	46,80	47,00	8,00	S	*32X47X8★	32
		.315		99128	Redi-Sleeve	1.842	1.850	.315			
						46,80	47,00	10,00	S	*32X47X10★	32
39,80	40,00	7,00	S	*32X40X7★	32	1.842	1.850	.394			
1.567	1.575	.276				47,00	47,20	6,00	N	710310★➔	32
39,80	40,00	10,00	S	*32X40X10★	32	1.850	1.858	.236			
1.567	1.575	.394				47,00	47,20	7,00	V	*32X47X7V★	32
40,00	40,15	5,00	S	223210★	34	1.850	1.858	.276			
1.575	1.581	.197				47,00	47,20	8,00	S	*580387★➔	32
40,80	41,00	7,00	S	*32X41X7★	32	1.850	1.858	.315			
1.606	1.614	.276				47,00	47,23	7,00	S	32X47X7★	35
41,80	42,00	6,00	S	*32X42X6★	32	1.850	1.859	.276			
1.646	1.654	.236				47,00	47,24	10,00	N	3476★➔	32
42,00	42,20	7,00	S	32X42X7★	35	1.850	1.860	.394			
1.654	1.661	.276				47,80	48,00	7,00	S	*32X48X7★	32
42,00	42,20	8,00	S	32X42X8★	32	1.882	1.890	.276			
1.654	1.661	.315				47,80	48,00	10,00	S	*32X48X10★	32
42,00	42,20	8,00	S	710282★	32	1.882	1.890	.394			
1.654	1.661	.315				48,00	48,20	7,00	S	710327★➔	32
42,00	42,20	10,00	S	223215★◀	32	1.890	1.898	.276			
1.654	1.661	.394				48,00	48,20	8,00	S	32X48X8★	32
43,00	43,20	7,00	S	32X43X7★	32	1.890	1.898	.315			
1.693	1.701	.276				48,00	48,20	8,00	V	*32X48X8V★	35
43,00	43,20	7,00	S	710370★	32	1.890	1.898	.315			
1.693	1.701	.276				48,00	48,20	9,00	N	223240★	40
43,00	43,28	4,00	N	*4596★	35	1.890	1.898	.354			
1.693	1.704	.157				48,00	48,20	10,00	S	710317★◀	32
43,80	44,00	5,00	S	*32X44X5★	32	1.890	1.898	.394			
1.724	1.732	.197				49,80	50,00	7,00	S	*32X50X7★	32
43,80	44,00	6,00	S	*32X44X6★	32	1.961	1.969	.276			
1.724	1.732	.236				49,80	50,00	10,00	S	*32X50X10★	32
43,80	44,00	7,00	S	*32X44X7★	32	1.961	1.969	.394			
1.724	1.732	.276				50,00	50,14	8,00	V	710164★	48
43,80	44,00	8,00	S	*32X44X8★	32	1.969	1.974	.315			
1.724	1.732	.315				50,00	50,20	10,00	V	*32X50X10V★	35
43,80	44,00	8,00	S	*32X44X8★	32	1.969	1.976	.394			
1.724	1.732	.315				50,00	50,23	8,00	S	32X50X8★	35
43,80	44,00	9,00	S	*32X44X9★	32	1.969	1.978	.315			
1.724	1.732	.354				50,00	50,23	8,00	S	223250★➔	32
43,80	44,00	10,00	S	*32X44X10★	32	1.969	1.978	.315			
1.724	1.732	.394				50,00	50,23	8,00	S	710415★➔	32
44,00	44,23	6,00	N	223220★➔	32	1.969	1.978	.315			
1.732	1.741	.236				51,75	52,00	8,00	S	*32X52X8★	32
44,30	44,50	8,00	S	*32X44.5X8★	32	2.037	2.047	.315			
1.744	1.752	.315				51,75	52,00	10,00	S	*32X52X10★	32
44,30	44,50	10,00	S	*32X44.5X10★	32	2.037	2.047	.394			
1.744	1.752	.394				51,75	52,00	11,00	S	*32X52X11★	32
44,80	45,00	6,00	S	*32X45X6★	32	2.037	2.047	.433			
1.764	1.772	.236				51,75	52,00	12,00	S	*32X52X12★	32
44,80	45,00	6,50	S	*32X45X6.5★	32	2.037	2.047	.472			
1.764	1.772	.256				52,00	52,20	7,00	V	*32X52X7V★	35
44,80	45,00	8,00	S	*32X45X8★	32	2.047	2.055	.276			
1.764	1.772	.315				52,00	52,20	10,00	S	710306★◀	32
44,80	45,00	10,00	S	*32X45X10★	32	2.047	2.055	.394			
1.764	1.772	.394				52,00	52,25	11,00	N	1167★	32
45,00	45,21	6,00	V	320348★➔	32	2.047	2.057	.433			
1.772	1.780	.236									

For Illustration and Material Data See Technical Section

➔ Hydrodynamic Lip Design-CW ◀ Hydrodynamic Lip Design-CCW

Size Section

Hsg. Bore	Seal O.D.	Seal Width	Lip Mat'l	Part No.	Type/ Illus.	Hsg. Bore	Seal O.D.	Seal Width	Lip Mat'l	Part No.	Type/ Illus.
32,00mm (1.260") SHAFT (cont.)						1.281" (1-9/32") SHAFT (cont.)					
52,00	52,28	7,00	S	32X52X7★	32	2.000	2.004	.375	S	473424	47
2.047	2.058	.276				2.000	2.004	.437	S	*450164	45
52,00	52,28	7,00	S	223255★	35	2.000	2.006	.250	S	353137	35
2.047	2.058	.276				2.062	2.066	.437	S	*450124	45
52,00	52,28	11,00	N	223252★◄	32	33,00mm (1.299") SHAFT					
2.047	2.058	.433				—	—	—	S	800320	VRS1
52,75	53,00	7,00	S	*32X53X7★	32	—	—	—	S	800321	VRS2
2.077	2.087	.276				—	—	—	V	800324	VRS1
53,00	53,28	7,00	N	223253★►	32	43,80	44,00	7,00	S	*33X44X7★	32
2.087	2.098	.276				1.724	1.732	.276			
53,75	54,00	8,00	S	*32X54X8★	32	43,80	44,00	8,00	S	*33X44X8★	32
2.116	2.126	.315			#	1.724	1.732	.315			
54,00	54,20	10,00	S	2008★&	#	44,00	44,18	7,00	S	710070★	47
2.126	2.134	.394				1.732	1.739	.276			
54,00	54,23	10,00	S	32X54X10★	32	44,80	45,00	8,00	S	*33X45X8★	32
2.126	2.135	.394				1.764	1.772	.315			
54,75	55,00	6,50	S	*32X55X6.5★	32	44,80	45,00	10,00	S	*33X45X10★	32
2.155	2.165	.256				1.764	1.772	.394			
54,75	55,00	7,00	S	*32X55X7★	32	1.779	1.784	.256	T	39879◄►	FW-H
2.155	2.165	.276				45,80	46,00	7,00	S	*33X46X7★	32
54,75	55,00	8,00	S	*32X55X8★	32	1.803	1.811	.276			
2.155	2.165	.315				46,43	46,53	9,53	N	6370N★	33
54,75	55,00	10,00	S	*32X55X10★	32	1.828	1.832	.375			
2.155	2.165	.394				46,80	47,00	8,00	S	*33X47X8★	32
54,75	55,00	11,00	S	*32X55X11★	32	1.842	1.850	.315			
2.155	2.165	.433				47,00	47,20	8,00	S	223340★►	32
55,75	56,00	8,00	S	*32X56X8★	32	1.850	1.858	.315			
2.195	2.205	.315				47,10	47,30	7,00	S	*33X47.3X7★	32
56,00	56,28	10,00	S	32X56X10★	32	1.854	1.862	.276			
2.205	2.216	.394				47,80	48,00	6,00	S	*33X48X6★	32
57,75	58,00	10,00	S	*32X58X10★	32	1.882	1.890	.236			
2.273	2.283	.394				47,80	48,00	8,00	S	*33X48X8★	32
57,75	58,00	12,00	S	*32X58X12★	32	1.882	1.890	.315			
2.273	2.283	.472				49,00	49,23	8,00	N	710236★►	32
58,00	58,20	8,00	S	32X58X8★	32	1.929	1.938	.315			
2.283	2.291	.315				49,80	50,00	6,00	S	*33X50X6★	32
58,00	58,29	12,70	S	*1204★	32	1.961	1.969	.236			
2.283	2.295	.500				49,80	50,00	7,00	S	*33X50X7★	32
60,00	60,20	8,00	S	32X60X8★	32	1.961	1.969	.276			
2.362	2.370	.315				49,80	50,00	10,00	S	*33X50X10★	32
60,00	60,20	10,00	S	32X60X10★	48	1.961	1.969	.394			
2.362	2.370	.394				50,00	50,20	7,00	S	710328★	35
61,75	62,00	10,00	S	*32X62X10★	32	1.969	1.976	.276			
2.431	2.441	.394				50,00	50,25	12,00	S	33X50X12★	32
61,75	62,00	12,00	S	*32X62X12★	32	1.969	1.978	.472			
2.431	2.441	.472				50,00	50,25	12,00	S	1168★	32
62,00	62,20	8,00	S	32X62X8★	32	1.969	1.978	.472			
2.441	2.449	.315				56,00	56,23	8,00	N	710132★	#
64,75	65,00	7,50	S	*32X65X7.5★	32	2.008	2.214	.315			
2.549	2.559	.295				51,75	52,00	5,00	S	*33X52X5★	32
64,75	65,00	8,00	S	*32X65X8★	32	2.037	2.047	.197			
2.549	2.559	.315				51,75	52,00	10,00	S	*33X52X10★	32
64,75	65,00	10,00	S	*32X65X10★	32	2.037	2.047	.394			
2.549	2.559	.394				51,92	52,02	12,45	S	3348★◄►	47
69,75	70,00	8,00	S	*32X70X8★	32	2.044	2.048	.490			
2.746	2.756	.315				52,00	52,25	6,00	S	33X52X6★	32
69,75	70,00	11,00	S	*32X70X11★	32	2.047	2.057	.236			
2.746	2.756	.433				54,75	55,00	10,00	S	*33X55X10★	32
71,75	72,00	10,00	S	*32X72X10★	32	2.155	2.165	.394			
2.825	2.835	.394				55,75	56,00	10,00	S	*33X56X10★	32
72,00	72,20	8,00	S	32X72X8★	32	2.195	2.205	.394			
2.835	2.843	.315				55,75	56,00	12,00	S	*33X56X12★	32
1.281" (1-9/32") SHAFT						2.195	2.205	.472			
—	—	—	S	800320	VRS1	59,00	59,20	17,00	N	710124★	#
—	—	—	S	800321	VRS2	2.323	2.331	.669			
—	—	—	V	800324	VRS1	61,75	62,00	7,00	S	*33X62X7★	32
1.752	1.756	.375	S	51032S	5S	2.431	2.441	.276			
1.983	1.987	.437	S	*450050	45	71,75	72,00	10,00	S	*33X72X10★	32
1.983	1.987	.437	S	470050	47	2.825	2.835	.394			
1.997	2.005	.375	S	*350878	35						

SIZE SECTION

For Illustration and Material Data See Technical Section

Designed For A Specific Application - Not Recommended For General Use ► Hydrodynamic Lip Design-CW ◄ Hydrodynamic Lip Design-CCW

◄► Hydrodynamic Lip Design-Bidirectional & Flanged O.D.

* The U.S. customer service number is 877-4-TIMKEN. The Canadian customer service numbers are 800-565-4927 (English) and 800-565-0438 (French-Canadian). ★ Metric Seal

Hsg. Bore	Seal O.D.	Seal Width	Lip Mat'l	Part No.	Type/ Illus.	Hsg. Bore	Seal O.D.	Seal Width	Lip Mat'l	Part No.	Type/ Illus.
33,00mm (1.299") SHAFT (cont.)						1.312" (1-5/16") SHAFT (cont.)					
89,90	89,60	40,00	N	5210★ ^⑤	35	2.502	2.506	.375	S	481834	48
3.539	3.528	1.575				2.750	2.754	.500	S	*481901	48
1.301" SHAFT						2.835	2.839	.468	S	471904	47
—	—	—	S	800350	VRS1	2.875	2.879	.437	S	*451905	45
—	—	—	V	800354	VRS1	2.996	3.001	.500	S	450147	45
—	—	—	V	800355	VRS2	1.318" SHAFT					
2.000	2.004	.437	S	471193	47	—	—	—	S	800350	VRS1
2.000	2.004	.437	N	471193N	47	—	—	—	V	800354	VRS1
2.000	2.004	.437	N	*481193N	48	—	—	—	V	800355	VRS2
2.620	2.625	.315	S	710043	#	2.280	2.286	.906	S	5131↔	#
1.312" (1-5/16") SHAFT						2.620	2.625	.875	S	2300	#
—	—	—	S	800350	VRS1	1.322" SHAFT					
—	—	—	V	800354	VRS1	—	—	—	S	800350	VRS1
—	—	—	V	800355	VRS2	—	—	—	V	800354	VRS1
—	—	.250		99129	Redi-Sleeve	—	—	—	V	800355	VRS2
—	—	.500		99131	Redi-Sleeve	2.227	2.231	.375	S	484058	48
1.625	1.662	.156	N	722108	VRS1	1.326" SHAFT					
1.627	.000	.331	S	710455	#	—	—	—	S	800350	VRS1
1.750	1.758	.250	S	*342214	34	—	—	—	V	800354	VRS1
1.752	1.760	.187	S	240716	24	—	—	—	V	800355	VRS2
1.828	1.833	.250	T	39904 ^⑤	FF	2.061	2.065	.375	S	484054	48
1.874	1.878	.375	S	473423	47	2.226	2.231	.500	S	*3145	#
1.874	1.878	.437	S	*410521	41	2.226	2.247	.500	S	5124	48
1.874	1.878	.437	S	*450521	45	2.312	2.316	.435	S	9161	48
1.874	1.878	.437	S	*470521	47	34,00mm (1.339") SHAFT					
1.874	1.878	.437	S	*480521	48	—	—	—	S	800350	VRS1
1.983	1.987	.375	S	473422	47	—	—	—	V	800354	VRS1
1.983	1.987	.437	S	*471755	47	—	—	—	V	800355	VRS2
2.000	2.004	.250	S	*43093S	4S	—	—	.500		99134	Redi-Sleeve
2.000	2.004	.312	S	473210	47	41,80	42,00	5,00	S	*34X42X5★	32
2.000	2.004	.312	V	*473210V	47	1.646	1.654	.197	S	*34X44X7★	32
2.000	2.004	.375	S	*470561	47	43,80	44,00	7,00	S	*34X44X8★	32
2.000	2.004	.375	S	*480561	48	1.724	1.732	.276	S	*34X44X8★	32
2.000	2.004	.437	S	*411352	41	43,80	44,00	8,00	S	*34X44X8★	32
2.062	2.066	.312	S	472826	47	1.724	1.732	.315	S	*34X44X8★	32
2.062	2.066	.375	S	*484178	48	44,00	44,23	8,00	N	223400★	32
2.062	2.066	.437	S	*410129	41	1.732	1.741	.315	S	34X45X8★	32
2.062	2.066	.437	S	470129	47	45,00	45,20	8,00	S	34X45X8★	32
2.062	2.066	.437	S	*480129	48	1.772	1.780	.315	S	*34X46X8★	32
2.097	2.105	.375	F	*712135	#	45,80	46,00	8,00	S	*34X46X8★	32
2.106	2.110	.375	S	473421	47	1.803	1.811	.315	S	*34X47X8★	32
2.106	2.110	.468	S	*410179	41	46,80	47,00	8,00	S	*34X47X8★	32
2.106	2.110	.468	S	*450179	45	1.842	1.850	.354	S	*34X47X9★	32
2.125	2.129	.312	S	473211	47	47,80	48,00	7,00	S	*34X48X7★	32
2.125	2.129	.437	S	*410247	41	1.882	1.890	.276	S	*34X48X8★	32
2.125	2.129	.437	N	*410247N	41	47,80	48,00	8,00	S	*34X48X8★	32
2.125	2.129	.437	S	*450247	45	1.882	1.890	.315	S	*580388★↔	32
2.125	2.129	.437	S	*470247	47	1.890	1.898	.276	S	710416★	35
2.125	2.129	.437	S	*480247	48	48,00	48,20	7,00	S	*34X50X7★	32
2.166	2.170	.375	S	473812	47	1.890	1.901	.295	S	223410★	35
2.250	2.254	.312	S	473212	47	1.890	1.901	.295	S	*34X50X8★	32
2.250	2.254	.312	A	473212A	47	48,00	48,28	7,50	S	*34X50X7★	32
2.250	2.254	.500	S	*410167	41	48,00	48,28	7,50	S	*34X50X8★	32
2.250	2.254	.500	S	*450167	45	1.890	1.901	.295	S	*34X50X10★	32
2.250	2.254	.500	S	*470167	47	48,00	48,28	7,50	S	*34X50X10★	32
2.250	2.254	.500	S	*480167	48	1.961	1.969	.276	S	*34X50X7★	32
2.282	2.286	.250	S	40769S	4S	49,80	50,00	8,00	S	*34X50X8★	32
2.374	2.378	.250	S	*40053S	4S	1.961	1.969	.315	S	*34X50X8★	32
2.374	2.378	.312	S	473213	47	49,80	50,00	8,00	S	*34X50X8★	32
2.374	2.378	.500	S	*410053	41	49,80	50,00	7,00	S	*34X50X7★	32
2.374	2.378	.500	S	*450053	45	1.961	1.969	.276	S	*34X50X8★	32
2.374	2.378	.500	S	*470053	47	49,80	50,00	8,00	S	*34X50X8★	32
2.374	2.378	.500	S	*480053	48	1.961	1.969	.315	S	*34X50X10★	32
2.437	2.441	.468	S	*410503	41	49,80	50,00	10,00	S	*34X50X10★	32
2.437	2.441	.468	S	*450503	45	1.961	1.969	.394			
2.437	2.441	.468	S	470503	47						
2.437	2.441	.468	S	*480503	48						

For Illustration and Material Data See Technical Section

Designed For A Specific Application - Not Recommended For General Use → Hydrodynamic Lip Design-CW ↔ Hydrodynamic Lip Design-Bidirectional

⑤ Seal & Installation Sleeve

* The U.S. customer service number is 877-4-TIMKEN. The Canadian customer service numbers are 800-565-4927 (English) and 800-565-0438 (French-Canadian). ★ Metric Seal

Hsg. Bore	Seal O.D.	Seal Width	Lip Mat'l	Part No.	Type/ Illus.	Hsg. Bore	Seal O.D.	Seal Width	Lip Mat'l	Part No.	Type/ Illus.
1.375" (1-3/8") SHAFT (cont.)						1.375" (1-3/8") SHAFT (cont.)					
1.874	1.878	.250	V	472354V	47	2.125	2.129	.375	N	482576N	48
1.874	1.878	.250	L	40395	4L	2.125	2.129	.437	S	*410135	41
1.874	1.878	.250	S	472354	47	2.125	2.129	.437	N	*410135N	41
1.874	1.878	.312	S	330663	33	2.125	2.129	.437	S	*450135	45
1.874	1.878	.312	N	*330663N	33	2.125	2.129	.437	S	470135	47
1.874	1.878	.437	S	50395S	5S	2.125	2.129	.437	N	*470135N	47
1.874	1.879	.240	V	484156V	48	2.125	2.129	.437	S	*480135	48
1.874	1.879	.250	S	40395S	4S	2.125	2.129	.812	S	*70135S	7S
1.874	1.880	.250	S	352354	32	2.125	2.130	.375	S	*453022	45
1.875	1.878	.187	S	6668S	33	2.125	2.130	.375	S	*483022	48
1.947	1.951	.500	S	1097	33	2.166	2.176	.485	N	*324152	32
1.947	1.951	.500	S	1097N	33	2.244	2.254	1.197	N	2655	79
1.952	1.957	.500	N	2443	25	2.248	2.252	.375	S	*471136	47
1.981	1.989	.252	N	714655	48	2.248	2.252	.375	S	*481136	48
1.982	1.989	.192	N	4638N	#	2.250	2.252	1.062	L	6200	9L
1.982	1.989	.312	N	*4655N	48	2.250	2.254	.250	S	40169S	4S
1.983	1.987	.312	S	482163	48	2.250	2.254	.312	V	473214V	47
1.983	1.987	.312	N	482163N	48	2.250	2.254	.312	S	473214	47
1.983	1.987	.375	S	*483562	48	2.250	2.254	.312	A	473214A	47
1.983	1.987	.375	N	*483562N	48	2.250	2.254	.312	S	*483214	48
2.000	2.004	.250	S	40522S	4S	2.250	2.254	.325	S	*482167	48
2.000	2.004	.300	S	*472083	47	2.250	2.254	.375	S	*411000	41
2.000	2.004	.312	S	472258	47	2.250	2.254	.375	S	*481000	48
2.000	2.004	.312	A	472258A	47	2.250	2.254	.500	S	*410169	41
2.000	2.004	.312	N	*472258N	47	2.250	2.254	.500	N	*410169N	41
2.000	2.004	.312	V	472258V	47	2.250	2.254	.500	S	*450169	45
2.000	2.004	.312	S	*482258	48	2.250	2.254	.500	N	*450169N	45
2.000	2.004	.312	V	482258V	48	2.250	2.254	.500	V	*450169V	45
2.000	2.004	.320	S	5872S	45	2.250	2.254	.500	S	470169	47
2.000	2.004	.328	S	480570	48	2.250	2.254	.500	S	*480169	48
2.000	2.004	.375	S	*6340	45	2.250	2.254	.713	S	7495S	61
2.000	2.004	.375	S	*411268	41	2.282	2.286	.250	S	42763	4S
2.000	2.004	.375	N	*411268N	41	2.282	2.286	.500	L	50402	5L
2.000	2.004	.375	H	*451268H	45	2.327	2.332	.406	S	204027	204
2.000	2.004	.375	S	471268	47	2.328	2.332	.406	F	*205027	205
2.000	2.004	.375	N	471268N	47	2.373	2.378	.500	N	*4419	#
2.000	2.004	.375	V	*471268V	47	2.374	2.378	.250	S	43089S	4S
2.000	2.004	.375	S	*481268	48	2.374	2.378	.312	S	473215	47
2.000	2.004	.375	V	*481268V	48	2.374	2.378	.312	S	*483215	48
2.000	2.004	.437	S	*410522	41	2.374	2.378	.312	V	*483215V	48
2.000	2.004	.437	S	*470522	47	2.374	2.378	.375	S	*451131	45
2.000	2.004	.437	S	*480522	48	2.374	2.378	.375	S	*471131	47
2.004	2.004	.437	S	*450522	45	2.374	2.378	.375	N	*471131N	47
2.047	2.051	.312	S	472642	47	2.374	2.378	.375	S	*481131	48
2.047	2.051	.312	V	472642V	47	2.374	2.378	.437	S	*411302	41
2.047	2.052	.330	N	4529N	68	2.374	2.378	.500	N	3116	71
2.062	2.066	.375	S	*450774	45	2.374	2.378	.500	N	3116	71
2.062	2.066	.375	S	470774	47	2.374	2.378	.500	S	*410055	41
2.062	2.066	.375	N	*470774N	47	2.374	2.378	.500	S	*450055	45
2.062	2.066	.375	V	470774V	47	2.374	2.378	.500	N	*450055N	45
2.062	2.066	.375	S	*480774	48	2.374	2.378	.500	V	*450055V	45
2.062	2.066	.437	S	*50403	5S	2.374	2.378	.500	S	*470055	47
2.062	2.066	.437	S	*410403	41	2.374	2.378	.500	N	470055N	47
2.062	2.066	.437	S	*450403	45	2.374	2.378	.500	S	480055	48
2.062	2.066	.437	S	470403	47	2.374	2.378	.750	S	*412691	41
2.062	2.066	.437	S	*480403	48	2.437	2.441	.250	S	6241S	48
2.062	2.066	.437	H	*480403H	48	2.437	2.441	.250	S	*7769	48
2.062	2.066	.437	N	*480403N	48	2.437	2.441	.250	S	*40061S	4S
2.062	2.066	.437	V	*480403V	48	2.437	2.441	.375	S	470950	47
2.062	2.072	.250	S	6760S	35	2.437	2.441	.375	S	*480950	48
2.082	2.087	.312	S	*473304	47	2.437	2.441	.375	N	*480950N	48
2.106	2.110	.312	S	472287	47	2.437	2.441	.468	S	*410061	41
2.106	2.110	.468	S	*410153	41	2.437	2.441	.468	S	*450061	45
2.106	2.110	.468	S	*450153	45	2.437	2.441	.468	S	*470061	47
2.106	2.110	.468	N	*450153N	45	2.437	2.441	.468	S	*480061	48
2.125	2.129	.312	V	471192V	47	2.437	2.441	.468	N	*480061N	48
2.125	2.129	.312	S	471192	47	2.441	2.445	.375	S	471276	47
2.125	2.129	.312	N	*471192N	47	2.441	2.445	.375	N	*471276N	47
2.125	2.129	.312	S	*481192	48	2.441	2.445	.375	V	471276V	47
2.125	2.129	.312	H	*481192H	48	2.441	2.445	.375	S	*481276	48
2.125	2.129	.375	T	39140	94	2.502	2.506	.250	L	7245	4L
2.125	2.129	.375	S	*482576	48	2.502	2.506	.375	S	471835	47

For Illustration and Material Data See Technical Section

Designed For A Specific Application - Not Recommended For General Use ➔ Hydrodynamic Lip Design-CW ◀ Hydrodynamic Lip Design-CCW

* The U.S. customer service number is 877-4-TIMKEN. The Canadian customer service numbers are 800-565-4927 (English) and 800-565-0438 (French-Canadian).

Size Section

Hsg. Bore	Seal O.D.	Seal Width	Lip Mat'l	Part No.	Type/ Illus.	Hsg. Bore	Seal O.D.	Seal Width	Lip Mat'l	Part No.	Type/ Illus.
1.375" (1-3/8") SHAFT (cont.)						35,00mm (1.378") SHAFT (cont.)					
2.502	2.506	.375	S	*481835	48	-	-	.512		99139	Redi-Sleeve
2.502	2.506	.500	S	*410444	41	41,80	42,00	6,00	S	*35X42X6★	32
2.502	2.506	.500	H	*410444H	41	1.646	1.654	.236			
2.502	2.506	.500	S	450444	45	41,80	42,00	8,00	S	*35X42X8★	32
2.502	2.506	.500	S	*470444	47	1.646	1.654	.315			
2.502	2.506	.500	S	*480444	48	43,80	44,00	7,00	S	*35X44X7★	32
2.561	2.565	.375	S	*473258	47	1.724	1.732	.276			
2.561	2.565	.500	S	*411847	41	44,00	44,10	7,00	S	710383★	47
2.561	2.565	.500	S	*471847	47	1.732	1.736	.276			
2.561	2.565	.500	N	471847N	47	44,80	45,00	6,00	S	*35X45X6★	32
2.561	2.565	.500	S	*481847	48	1.764	1.772	.236			
2.623	2.627	.250	S	*40504S	4S	44,80	45,00	8,00	S	*35X45X8★	32
2.623	2.627	.375	S	*472843	47	1.764	1.772	.315			
2.623	2.627	.500	S	*410504	41	44,80	45,00	10,00	S	*35X45X10★	32
2.623	2.627	.500	S	*450504	45	1.764	1.772	.394			
2.623	2.627	.500	S	*470504	47	44,80	45,00	12,00	S	*35X45X12★	32
2.623	2.627	.500	S	*480504	48	1.764	1.772	.472			
2.686	2.690	.500	S	*50776	5S	45,00	45,15	7,00	S	35X45X7★	35
2.686	2.690	.500	S	*410776	41	1.772	1.778	.276			
2.686	2.690	.500	S	*450776	45	45,80	46,00	10,00	S	*35X46X10★	32
2.686	2.690	.500	S	*470776	47	1.803	1.811	.394			
2.686	2.690	.500	S	*480776	48	46,30	46,50	8,00	S	*35X46.5X8★	32
2.716	2.720	.468	S	*410456	41	1.823	1.831	.315			
2.716	2.720	.468	S	*450456	45	46,80	47,00	7,50	S	*35X47X7.5★	32
2.717	2.723	.375	S	323125	32	1.842	1.850	.295			
2.750	2.754	.500	S	*410463	41	46,80	47,00	8,00	S	*35X47X8★	32
2.750	2.754	.500	S	450463	45	1.842	1.850	.315			
2.750	2.754	.500	S	*470463	47	46,80	47,00	10,00	S	*35X47X10★	32
2.750	2.754	.500	S	*480463	48	1.842	1.850	.394			
2.835	2.839	.312	S	*473197	47	47,00	47,20	7,00	V	*35X47X7V★	32
2.835	2.839	.312	V	*473197V	47	1.850	1.858	.276			
2.835	2.839	.312	N	*483197N	48	47,00	47,23	7,00	S	223510★	35
2.835	2.839	.375	S	472658	47	1.850	1.859	.276			
2.835	2.839	.375	V	*472658V	47	47,00	47,23	7,00	S	35X47X7★	35
2.835	2.839	.468	S	*410452	41	1.850	1.859	.276			
2.835	2.839	.468	S	450452	45	47,00	47,40	7,00	H	1172★➔	32
2.835	2.839	.468	N	*450452N	45	1.850	1.866	.276			
2.835	2.839	.468	S	*470452	47	47,80	48,00	7,00	S	*35X48X7★	32
2.835	2.839	.468	S	*480452	48	1.882	1.890	.276			
2.835	2.839	.468	H	*480452H	48	47,80	48,00	9,00	S	*35X48X9★	32
2.835	2.839	.468	N	*480452N	48	1.882	1.890	.354			
2.835	3.020	.390	S	*7370	48	47,80	48,00	10,00	S	*35X48X10★	32
2.875	2.879	.468	S	*411105	41	1.882	1.890	.394			
2.875	2.879	.468	S	*451105	45	48,00	48,21	7,60	V	320249★➔	32
2.875	2.879	.468	S	*471105	47	1.890	1.898	.299			
2.875	2.879	.468	S	*481105	48	48,00	48,20	8,00	S	35X48X8★	32
3.000	3.005	.500	S	*410989	41	1.890	1.898	.315			
3.000	3.005	.500	S	470989	47	48,00	48,20	8,00	S	714436★	32
3.125	3.130	.500	S	450516	45	1.890	1.898	.315			
3.150	3.154	.375	S	*471379	47	48,00	48,25	14,00	N	1215★	#
3.350	3.355	.468	S	*450492	45	1.890	1.900	.551			
3.500	3.505	.500	S	*455292	45	48,00	48,25	14,00	N	1215N★	#
3.542	3.549	.397	N	4532N➔	93	1.890	1.900	.551			
3.543	3.548	.500	S	*413638	41	48,00	48,28	15,00	S	710051★&	86
1.377" SHAFT											
-	-	-	S	800350	VRS1	1.890	1.901	.591			
-	-	-	V	800354	VRS1	1.890	1.906	.276			
-	-	-	V	800355	VRS2	48,80	49,00	6,00	S	*35X49X6★	32
-	-	.313		99133	Redi-Sleeve	1.921	1.929	.236			
-	-	.500		99138	Redi-Sleeve	48,80	49,00	8,00	S	*35X49X8★	32
-	-	.512		99139	Redi-Sleeve	1.921	1.929	.315			
2.162	2.167	.744	N	4614N➔➔	87	49,00	49,30	8,00	S	710178★	#
2.874	2.881	.693	N	4613N➔➔	57	1.929	1.941	.315			
35,00mm (1.378") SHAFT											
-	-	-	S	800350	VRS1	49,21	49,63	6,00	N	1987★	33
-	-	-	V	800354	VRS1	1.937	1.954	.236			
-	-	-	V	800355	VRS2	49,30	49,50	10,00	S	*35X49.5X10★	32
-	-	-	V	800355	VRS2	1.941	1.949	.394			
-	-	-	S	800350	VRS1	49,60	49,83	11,00	N	1940★➔	32
-	-	-	V	800354	VRS1	1.953	1.962	.433			
-	-	-	V	800355	VRS2	49,80	50,00	9,00	S	*35X50X9★	32
-	-	-	V	800355	VRS2	1.961	1.969	.354			

SIZE SECTION

For Illustration and Material Data See Technical Section

Designed For A Specific Application - Not Recommended For General Use ➔ Hydrodynamic Lip Design-CW ◀ Hydrodynamic Lip Design-CCW

◀➔ Hydrodynamic Lip Design-Bidirectional & Flanged O.D.

* The U.S. customer service number is 877-4-TIMKEN. The Canadian customer service numbers are 800-565-4927 (English) and 800-565-0438 (French-Canadian). ★ Metric Seal

Hsg. Bore	Seal O.D.	Seal Width	Lip Mat'l	Part No.	Type/ Illus.	Hsg. Bore	Seal O.D.	Seal Width	Lip Mat'l	Part No.	Type/ Illus.
35,00mm (1.378") SHAFT (cont.)						35,00mm (1.378") SHAFT (cont.)					
49,80	50,00	10,00	S	*35X50X10★	32	54,00	54,30	8,00	V	1119★➡	32
1.961	1.969	.394				2.126	2.138	.315			
49,80	50,00	11,00	S	*35X50X11★	32	54,75	55,00	7,00	S	*35X55X7★	32
1.961	1.969	.433				2.155	2.165	.276			
50,00	50,20	7,00	S	35X50X7★	32	54,75	55,00	9,00	S	*35X55X9★	32
1.969	1.976	.276				2.155	2.165	.354			
50,00	50,20	8,00	V	*35X50X8V★	32	54,75	55,00	10,00	S	*35X55X10★	32
1.969	1.976	.315				2.155	2.165	.394			
50,00	50,20	8,00	H	710329★◄	32	54,75	55,00	12,00	S	*35X55X12★	32
1.969	1.976	.315				2.155	2.165	.472			
50,00	50,20	11,00	S	710324★◄	32	54,89	55,04	14,66	H	3543★◄➡	57
1.969	1.976	.433				2.161	2.167	.577			
50,00	50,24	8,00	S	35X50X8★	35	55,00	55,18	8,00	S	473823★	47
1.969	1.978	.315				2.165	2.172	.315			
50,00	50,24	8,00	S	223520★	35	55,00	55,20	10,00	V	*35X55X10V★	32
1.969	1.978	.315				2.165	2.173	.394			
50,00	50,25	10,00	H	*1980★➡	32	55,00	55,10	8,00	S	35X55X8★	47
1.969	1.978	.394				2.165	2.174	.315			
50,00	50,24	12,00	N	*1169★	32	55,00	55,23	11,00	S	35X55X11★	32
1.969	1.978	.472				2.165	2.174	.433			
50,00	50,28	11,50	N	710111★◄	#	55,00	55,23	11,00	N	223542★	32
1.969	1.980	.453				2.165	2.174	.433			
50,00	50,34	7,00	H	3771★➡	35	55,00	55,30	11,00	S	*1171★	32
1.969	1.982	.276				2.165	2.177	.433			
50,00	50,34	7,00	V	713771★➡	35	55,00	55,45	8,00	N	223540★◄➡	40
1.969	1.982	.276				2.165	2.183	.315			
50,75	51,00	7,00	S	*35X51X7★	32	55,75	56,00	5,80	S	*35X56X5.8★	32
1.998	2.008	.276				2.195	2.205	.228			
50,75	51,00	8,00	S	*35X51X8★	32	55,75	56,00	12,00	S	*35X56X12★	32
1.998	2.008	.315				2.195	2.205	.472			
50,75	51,00	10,00	S	*35X51X10★	32	56,00	56,10	16,00	V	710218★	#
1.998	2.008	.394				2.205	2.209	.630			
51,75	52,00	9,00	S	*35X52X9★	32	56,00	56,20	8,00	S	35X56X8★	35
2.037	2.047	.354				2.205	2.213	.315			
51,75	52,00	10,00	S	*35X52X10★	32	56,00	56,20	8,00	N	710314★◄	40
2.037	2.047	.394				2.205	2.213	.315			
51,75	52,00	11,00	S	*35X52X11★	32	56,00	56,20	8,00	S	710315★➡	40
2.037	2.047	.433				2.205	2.213	.315			
51,75	52,00	12,00	S	*35X52X12★	32	56,00	56,20	9,00	S	710396★◄➡	40
2.037	2.047	.472				2.205	2.213	.354			
52,00	52,10	7,90	S	*484063★	48	56,00	56,20	10,00	V	*35X56X10V★	35
2.047	2.051	.311				2.205	2.213	.394			
52,00	52,13	8,00	S	35X52X8★	33	56,00	56,27	10,00	S	35X56X10★	32
2.047	2.052	.315				2.205	2.215	.394			
52,00	52,13	8,00	S	223535★	33	56,00	56,27	10,00	S	223543★	32
2.047	2.052	.315				2.205	2.215	.394			
52,00	52,13	8,00	N	*4052★➡	47	56,00	56,27	10,00	S	*320857★	32
2.047	2.052	.315				2.205	2.215	.394			
52,00	52,13	8,50	S	*1077★	33	56,00	56,30	9,00	S	2007★➡	#
2.047	2.052	.335				2.205	2.217	.354			
52,00	52,20	7,00	S	35X52X7★	32	56,00	56,30	9,00	S	2007N★➡	#
2.047	2.055	.276				2.205	2.217	.354			
52,00	52,25	10,00	S	1170★	32	56,75	57,00	9,00	S	*35X57X9★	32
2.047	2.057	.394				2.234	2.244	.354			
52,00	52,35	7,75	N	3655★➡	32	56,75	57,00	10,00	S	*35X57X10★	32
2.047	2.061	.305				2.234	2.244	.394			
52,00	52,35	7,75	N	713655★◄	32	56,90	57,05	18,64	N	*4150N★◄➡	#
2.047	2.061	.305				2.240	2.246	.734			
53,26	53,67	7,75	N	4040N★◄	32	56,90	57,05	19,41	N	710096★◄➡	74
2.097	2.113	.305				2.240	2.246	.764			
53,75	54,00	10,00	S	*35X54X10★	32	57,00	57,30	15,27	S	100165★	#
2.116	2.126	.394				2.244	2.246	.601			
54,00	54,10	8,00	S	710217★	#	57,75	58,00	9,00	S	*35X58X9★	32
2.126	2.130	.315				2.273	2.283	.354			
54,00	54,10	9,00	N	710199★◄➡	#	57,75	58,00	12,00	S	*35X58X12★	32
2.126	2.130	.354				2.273	2.283	.472			
54,00	54,20	8,00	S	35X54X8★	35	57,75	58,00	13,00	S	*35X58X13★	32
2.126	2.134	.315				2.273	2.283	.512			
54,00	54,20	8,00	V	710331★◄	32	57,75	58,00	18,00	S	*35X58X18★	32
2.126	2.134	.315				2.273	2.283	.709			
54,00	54,20	10,00	V	*35X54X10V★	35	58,00	58,10	10,00	S	223550★	45
2.126	2.134	.394				2.283	2.287	.394			

For Illustration and Material Data See Technical Section

◄ Designed For A Specific Application - Not Recommended For General Use ➡ Hydrodynamic Lip Design-CW ◄ Hydrodynamic Lip Design-CCW

◄➡ Hydrodynamic Lip Design-Bidirectional

* The U.S. customer service number is 877-4-TIMKEN. The Canadian customer service numbers are 800-565-4927 (English) and 800-565-0438 (French-Canadian). ★ Metric Seal

Size Section

Hsg. Bore	Seal O.D.	Seal Width	Lip Mat'l	Part No.	Type/ Illus.	Hsg. Bore	Seal O.D.	Seal Width	Lip Mat'l	Part No.	Type/ Illus.
35,00mm (1.378") SHAFT (cont.)						35,00mm (1.378") SHAFT (cont.)					
58,00	58,14	11,90	S	* 1086★	33	67,00	67,27	12,00	N	1173★	32
2.283	2.289	.469				2.638	2.648	.472			
58,00	58,28	10,00	S	35X58X10★	35	67,75	68,00	6,00	S	* 35X68X6★	32
2.283	2.294	.394				2.667	2.677	.236			
58,75	59,00	12,00	S	* 35X59X12★	32	68,00	68,16	9,00	S	223580★➔	40
2.313	2.323	.472				2.677	2.683	.354			
59,75	60,00	8,00	S	* 35X60X8★	32	68,00	68,20	9,00	N	710336★◀	40
2.352	2.362	.315				2.677	2.685	.354			
59,75	60,00	11,00	S	* 35X60X11★	32	68,00	68,20	10,00	V	* 35X68X10V★	35
2.352	2.362	.433				2.677	2.685	.394			
59,75	60,00	12,00	S	* 35X60X12★	32	68,00	68,23	10,00	S	* 35X68X10★	35
2.352	2.362	.472				2.677	2.686	.394			
60,00	60,23	10,00	S	35X60X10★	35	68,00	68,23	12,50	N	* 1140★	32
2.362	2.371	.394				2.677	2.686	.492			
60,00	60,23	10,00	S	223551★	35	69,00	69,20	8,00	S	* 35X69X8★	32
2.362	2.371	.394				2.717	2.724	.315			
60,00	60,23	10,00	S	710424★	35	69,75	70,00	10,00	S	* 35X70X10★	32
2.362	2.371	.394				2.746	2.756	.394			
60,00	60,30	12,00	S	710201★	47	70,00	70,20	8,00	S	35X70X8★	32
2.362	2.374	.472				2.756	2.764	.315			
61,75	62,00	6,00	S	* 35X62X6★	32	71,75	72,00	7,00	S	* 35X72X7★	32
2.431	2.441	.236				2.825	2.835	.276			
61,75	62,00	8,00	S	* 35X62X8★	32	71,75	72,00	11,00	S	* 35X72X11★	32
2.431	2.441	.315				2.825	2.835	.433			
61,75	62,00	8,00	S	* 35X62X8★	32	71,75	72,00	12,00	S	* 35X72X12★	32
2.431	2.441	.315				2.825	2.835	.472			
61,75	62,00	9,50	S	* 35X62X9.5★	32	72,00	72,20	8,00	S	35X72X8★	32
2.431	2.441	.374				2.835	2.843	.315			
61,75	62,00	11,00	S	* 35X62X11★	32	72,00	72,20	10,00	V	* 35X72X10V★	35
2.431	2.441	.433				2.835	2.843	.394			
61,75	62,00	12,00	S	* 35X62X12★	32	72,00	72,28	10,00	S	35X72X10★	35
2.431	2.441	.472				2.835	2.846	.394			
62,00	62,20	7,00	V	* 35X62X7V★	35	72,00	72,28	10,00	S	710360★	35
2.441	2.449	.276				2.835	2.846	.394			
62,00	62,20	10,00	S	35X62X10★	35	74,75	75,00	8,00	S	* 35X75X8★	32
2.441	2.449	.394				2.943	2.953	.315			
62,00	62,28	7,00	S	35X62X7★	32	76,00	76,28	9,00	N	1147★➔	32
2.441	2.452	.276				2.992	3.003	.354			
62,00	62,28	8,00	N	4901★◀➔	40	76,00	76,30	12,50	N	1136★◀	30
2.441	2.452	.315				2.992	3.004	.492			
62,00	62,28	9,00	N	223553★➔	40	78,00	78,20	8,00	S	* 35X78X8★	32
2.441	2.452	.354				3.071	3.079	.315			
62,00	62,28	9,50	S	223552★	32	79,72	80,00	10,00	S	* 35X80X10★	32
2.441	2.452	.374				3.139	3.150	.394			
63,00	63,20	9,00	S	710138★◀➔	40	79,72	80,00	12,00	S	* 35X80X12★	32
2.480	2.488	.354				3.139	3.150	.472			
63,00	63,28	10,00	S	710419★	#	79,72	80,00	13,00	S	* 35X80X13★	32
2.480	2.491	.394				3.139	3.150	.512			
63,00	63,28	10,00	S	223554★	#	80,00	80,20	8,00	S	35X80X8★	32
2.480	2.491	.394				3.150	3.150	.315			
63,45	63,55	7,92	S	* 6952S★	#	81,72	82,00	7,00	S	* 35X82X7★	32
2.498	2.502	.312				3.217	3.228	.276			
63,50	63,83	11,05	S	7687S★	#						
2.500	2.513	.435									
63,75	64,00	12,00	S	* 35X64X12★	32						
2.510	2.520	.472									
63,75	64,00	13,00	S	* 35X64X13★	32						
2.510	2.520	.512									
64,00	64,13	8,00	N	35X64X8★	47			.512	99139	Redi-Sleeve	
2.520	2.525	.315				2.288	2.291	.750	V	710429	87
64,00	64,13	8,00	N	223555★	47						
2.520	2.525	.315									
64,00	64,14	9,50	N	* 474125N★	47						
2.520	2.525	.374									
64,75	65,00	12,00	S	* 35X65X12★	32						
2.549	2.559	.472									
65,00	65,20	8,00	S	35X65X8★	32	2.250	2.254	.250	S	470672	47
2.559	2.567	.315				2.290	2.294	.500	S	710166	74
65,00	65,20	10,00	S	35X65X10★	32	2.292	2.296	.460	S	* 3237◀➔	33
2.559	2.567	.394				2.292	2.296	.460	S	8660S◀➔	48
65,00	65,20	12,00	S	710335★	32	2.292	2.296	.500	L	8660L**	5L
2.559	2.567	.472				2.482	2.750	.310	V	4795V◀➔	74

SIZE SECTION

For Illustration and Material Data See Technical Section

Designed For A Specific Application - Not Recommended For General Use ➔ Hydrodynamic Lip Design-CW ◀ Hydrodynamic Lip Design-CCW

◀➔ Hydrodynamic Lip Design-Bidirectional ** Canada Only

* The U.S. customer service number is 877-4-TIMKEN. The Canadian customer service numbers are 800-565-4927 (English) and 800-565-0438 (French-Canadian). ★ Metric Seal

Hsg. Bore	Seal O.D.	Seal Width	Lip Mat'l	Part No.	Type/ Illus.	Hsg. Bore	Seal O.D.	Seal Width	Lip Mat'l	Part No.	Type/ Illus.
1.399" SHAFT (cont.)						36,00mm (1.417") SHAFT (cont.)					
2.484	2.489	.280	V	714558◄►	#	52,00	52,20	10,00	S	223608★◄	32
2.484	2.489	.500	V	714559◄►	74	2.047	2.055	.394			
1.400" SHAFT						53,75	54,00	7,00	S	*36X54X7★	32
-	-	-	S	800350	VRS1	2.116	2.126	.276			
-	-	-	V	800354	VRS1	53,75	54,00	10,00	S	*36X54X10★	32
-	-	-	V	800355	VRS2	2.116	2.126	.394			
1.969	2.000	.250	F	1110	#	54,00	54,20	7,50	V	*36X54X8V★	35
2.282	2.288	.547	V	4857◄►	86	2.126	2.134	.295			
2.478	2.486	.521	S	*710066&	83	54,00	54,20	8,00	S	36X54X8★	35
1.406" (1-13/32") SHAFT						2.126	2.134	.315			
-	-	-	S	800350	VRS1	54,00	54,28	7,00	N	710197★	40
-	-	-	V	800354	VRS1	2.126	2.137	.276			
-	-	-	V	800355	VRS2	54,00	54,28	7,50	S	223610★	35
2.125	2.129	.437	L	50126	5L	2.126	2.137	.295			
36,00mm (1.417") SHAFT						54,75	55,00	10,00	S	*36X55X10★	32
-	-	-	S	800350	VRS1	2.155	2.165	.394			
-	-	-	V	800354	VRS1	54,75	55,00	12,00	S	*36X55X12★	32
-	-	-	V	800355	VRS2	2.155	2.165	.472			
-	-	.518		99146	Redi-Sleeve	55,00	55,09	6,50	S	2003★	47
43,80	44,00	5,00	S	*36X44X5★	32	2.165	2.169	.256			
1.724	1.732	.197				55,00	55,12	9,50	S	2003N★	47
44,00	44,23	5,00	S	710252★	32	2.165	2.170	.374			
1.732	1.741	.197				55,75	56,00	12,00	S	*36X56X12★	32
45,80	46,00	6,00	S	*36X46X6★	32	2.195	2.205	.472			
1.803	1.811	.236				56,00	56,25	10,00	S	36X56X10★	35
45,80	46,00	9,00	S	*36X46X9★	32	2.205	2.215	.394			
1.803	1.811	.354				2.250	2.254	.250	S	474127	47
46,00	46,10	9,00	S	710343★	33	58,00	58,25	8,00	S	36X58X8★	47
1.811	1.815	.354				2.283	2.293	.315			
46,80	47,00	8,00	S	*36X47X8★	32	58,00	58,23	12,00	S	36X58X12★	35
1.842	1.850	.315				2.283	2.293	.472			
47,00	47,20	7,00	S	36X47X7★	35	58,00	58,30	8,00	S	474288★	47
1.850	1.858	.276				2.283	2.295	.315			
47,00	47,20	7,00	S	223601★	35	59,75	60,00	6,00	S	*36X60X6★	32
1.850	1.858	.276				2.352	2.362	.236			
47,80	48,00	7,00	S	*36X48X7★	32	60,00	60,20	7,00	S	36X60X7★	32
1.882	1.890	.276				2.362	2.370	.276			
47,80	48,00	10,00	S	*36X48X10★	32	60,00	60,20	8,00	V	1965★	48
1.882	1.890	.394				2.362	2.370	.315			
48,80	49,00	7,00	S	*36X49X7★	32	61,75	62,00	10,00	S	*36X62X10★	32
1.921	1.929	.276				2.431	2.441	.394			
49,00	49,28	7,00	N	223602★►	32	62,00	62,28	7,00	S	36X62X7★	32
1.929	1.940	.276				2.441	2.452	.276			
49,61	49,81	7,01	N	321417N★	32	63,25	63,50	13,00	S	*36X63.5X13★	32
1.953	1.961	.276				2.490	2.500	.512			
49,80	50,00	10,00	S	*36X50X10★	32	64,00	64,20	11,00	S	710152★	#
1.961	1.969	.394				2.520	2.528	.433			
50,00	50,08	7,00	S	36X50X7★	47	65,00	65,20	8,00	S	710057★	48
1.969	1.972	.276				2.559	2.567	.315			
50,00	50,08	7,00	S	223605★	47	2.614	2.629	.500	S	*9342S	48
1.969	1.972	.276				68,00	68,18	8,00	S	223620★►	48
50,00	50,08	7,00	S	*474097★	47	2.677	2.684	.315			
1.969	1.972	.276				68,00	68,28	10,00	S	36X68X10★	35
50,00	50,20	8,00	S	710341★◄	32	2.677	2.688	.394			
1.969	1.976	.315				70,00	70,20	8,00	S	*36X70X8★	32
50,75	51,00	7,00	S	*36X51X7★	32	2.756	2.764	.315			
1.998	2.008	.276				72,00	72,20	8,00	S	*36X72X8★	32
51,75	52,00	8,00	S	*36X52X8★	32	2.835	2.843	.315			
2.037	2.047	.315				1.437" (1-7/16") SHAFT					
51,75	52,00	10,00	S	*36X52X10★	32	-	-	-	S	800381	VRS2
2.037	2.047	.394				-	-	-	V	800385	VRS2
52,00	52,20	7,00	S	36X52X7★	35	-	-	.375		99144	Redi-Sleeve
2.047	2.055	.276				-	-	.563		99143	Redi-Sleeve
52,00	52,20	7,00	V	*36X52X7V★	32	-	-				
2.047	2.055	.276									

For Illustration and Material Data See Technical Section

Designed For A Specific Application - Not Recommended For General Use ► Hydrodynamic Lip Design-CW ◄ Hydrodynamic Lip Design-CCW

◄► Hydrodynamic Lip Design-Bidirectional & Flanged O.D.

* The U.S. customer service number is 877-4-TIMKEN. The Canadian customer service numbers are 800-565-4927 (English) and 800-565-0438 (French-Canadian). ★ Metric Seal

Size Section

Hsg. Bore	Seal O.D.	Seal Width	Lip Mat'l	Part No.	Type/ Illus.	Hsg. Bore	Seal O.D.	Seal Width	Lip Mat'l	Part No.	Type/ Illus.
1.437" (1-7/16") SHAFT (cont.)						1.437" (1-7/16") SHAFT (cont.)					
2.000	2.004	.437	S	*410930	41	2.750	2.754	.500	S	*450808	45
2.000	2.004	.437	N	*410930N	41	2.750	2.754	.500	S	470808	47
2.000	2.004	.437	S	*450930	45	2.750	2.754	.500	S	*480808	48
2.000	2.006	.125	S	340930	34	3.000	3.005	.500	S	471405	47
2.059	2.065	.315	T	*712141➔	32	1.440" SHAFT					
2.061	2.066	.312	S	3395	47	-	-	-	S	800381	VRS2
2.061	2.066	.312	S	*474090	47	-	-	-	V	800385	VRS2
2.062	2.066	.375	S	*482422	48	-	-	.375		99144	Redi-Sleeve
2.062	2.068	.250	S	352444	35	2.061	2.075	.315	H	3394➔	32
2.125	2.129	.312	S	473224	47	2.756	2.764	.551	N	*712134	35
2.125	2.129	.437	S	*410453	41	37,00mm (1.457") SHAFT					
2.125	2.129	.437	N	*410453N	41	-	-	-	S	800381	VRS2
2.125	2.129	.437	V	*410453V	41	-	-	-	V	800385	VRS2
2.125	2.129	.437	S	*450453	45	-	-	.375		99145	Redi-Sleeve
2.125	2.129	.437	N	*450453N	45	0,00	55,52	8,01	S	710524★	47
2.125	2.129	.437	S	*470453	47	.000	2.186	.315			
2.125	2.129	.437	N	*470453N	47	46,80	47,00	10,00	S	*37X47X10★	32
2.125	2.129	.437	S	*480453	48	1.842	1.850	.394			
2.125	2.129	.437	N	*480453N	48	50,00	50,25	6,00	N	223750★➔	32
2.188	2.192	.480	S	*9249	47	1.969	1.978	.236			
2.250	2.254	.312	S	473016	47	50,50	50,70	7,00	N	710355★➔	32
2.250	2.254	.312	N	*473016N	47	1.988	1.996	.276			
2.250	2.254	.500	S	*410171	41	52,00	52,15	6,00	S	710149★	#
2.250	2.254	.500	S	*470171	47	2.047	2.053	.236			
2.250	2.254	.500	H	*470171H	47	52,00	52,28	8,00	S	37X52X8★	35
2.250	2.254	.500	N	*470171N	47	2.047	2.058	.315			
2.250	2.254	.500	S	*480171	48	52,75	53,00	7,00	S	*37X53X7★	32
2.312	2.316	.375	S	472655	47	2.077	2.087	.276			
2.374	2.378	.312	S	473225	47	54,75	55,00	8,00	S	*37X55X8★	32
2.374	2.378	.375	S	*471809	47	2.155	2.165	.315			
2.374	2.378	.375	S	*481809	48	56,00	56,20	12,50	V	710259★↔	32
2.374	2.378	.500	S	*410057	41	2.205	2.213	.492			
2.374	2.378	.500	S	*450057	45	56,75	57,00	10,00	S	*37X57X10★	32
2.374	2.378	.500	V	*450057V	45	2.234	2.244	.394			
2.374	2.378	.500	S	*470057	47	57,75	58,00	7,00	S	*37X58X7★	32
2.374	2.378	.500	S	*480057	48	2.273	2.283	.276			
36,50mm (1.437") SHAFT						57,75	58,00	10,00	S	*37X58X10★	32
61,75	62,00	7,00	S	*36.5X62X7★	32	2.273	2.283	.394			
2.431	2.441	.276				57,75	58,00	13,00	S	*37X58X13★	32
1.437" (1-7/16") SHAFT						2.273	2.283	.512			
2.437	2.441	.250	S	*6966S	44	58,00	58,10	10,00	S	710353★➔	66
2.437	2.441	.312	S	474264	47	2.283	2.287	.394			
2.437	2.441	.468	S	*410062	41	62,00	62,23	10,00	S	710228★	40
2.437	2.441	.468	S	*450062	45	2.441	2.450	.394			
2.437	2.441	.468	S	470062	47	63,75	64,00	13,00	S	*37X64X13★	32
2.437	2.441	.468	S	*480062	48	2.510	2.520	.512			
2.441	2.445	.374	S	4989	#	78,00	78,30	12,00	S	239134★	#
2.441	2.445	.375	S	481826	48	3.071	3.083	.472			
2.500	2.508	.687	S	*8673	25	1.460" SHAFT					
2.502	2.506	.312	S	473226	47	-	-	-	S	800381	VRS2
2.502	2.506	.500	S	*410144	41	-	-	-	V	800385	VRS2
2.502	2.506	.500	S	*450144	45	-	-	.375		99145	Redi-Sleeve
2.502	2.506	.500	S	*470144	47	2.077	2.034	.070	S	*8733	#
2.502	2.506	.500	S	*480144	48	1.465" SHAFT					
2.502	2.506	.500	V	*480144V	48	-	-	-	S	800381	VRS2
2.623	2.627	.375	S	473437	47	-	-	-	V	800385	VRS2
2.623	2.627	.500	S	*410122	41	2.372	2.374	.433	S	710426	#
2.623	2.627	.500	H	*410122H	41	2.372	2.374	1.508	N	710441&	#
2.623	2.627	.500	S	*450122	45	1.468" (1-15/32") SHAFT					
2.623	2.627	.500	S	*470122	47	-	-	-	S	800381	VRS2
2.623	2.627	.500	S	*480122	48	-	-	-	V	800385	VRS2
2.686	2.690	.250	S	*43088S	4S	-	-	-			
2.686	2.690	.375	S	471862	47	2.372	2.374	1.508	N	710441&	#
2.686	2.690	.500	S	*410746	41	-	-	-	S	800381	VRS2
2.686	2.690	.500	S	*450746	45	-	-	-	V	800385	VRS2
2.686	2.690	.500	S	*470746	47	1.468" (1-15/32") SHAFT					
2.686	2.690	.500	S	*480746	48	-	-	-	S	800381	VRS2
2.750	2.754	.500	S	*410808	41	-	-	-	V	800385	VRS2

SIZE SECTION

For Illustration and Material Data See Technical Section

Designed For A Specific Application - Not Recommended For General Use ➔ Hydrodynamic Lip Design-CW ↔ Hydrodynamic Lip Design-Bidirectional & Flanged O.D.

* The U.S. customer service number is 877-4-TIMKEN. The Canadian customer service numbers are 800-565-4927 (English) and 800-565-0438 (French-Canadian). ★ Metric Seal

Hsg. Bore	Seal O.D.	Seal Width	Lip Mat'l	Part No.	Type/ Illus.	Hsg. Bore	Seal O.D.	Seal Width	Lip Mat'l	Part No.	Type/ Illus.
1.468" (1-15/32") SHAFT (cont.)						38,00mm (1.496") SHAFT (cont.)					
2.374	2.378	.500	S	*450058	45	50,00	50,25	7,00	S	38X50X7★	35
2.374	2.378	.500	S	*480058	48	1.969	1.978	.276			
2.374	2.378	.500	N	*480058N	48	50,00	50,28	8,00	S	223801★	32
2.375	2.379	.375	S	473438	47	1.969	1.980	.315			
2.437	2.441	.375	S	473439	47	50,00	50,28	10,50	N	223800★➔	32
2.437	2.441	.468	S	*450255	45	1.969	1.980	.413			
1.473" SHAFT						50,75	51,00	7,00	S	*38X51X7★	32
-	-	-	S	800381	VRS2	1.998	2.008	.276			
-	-	-	V	800385	VRS2	51,75	52,00	6,00	S	*38X52X6★	32
1.971	1.979	.562	S	7235S	32	2.037	2.047	.236			
1.476" SHAFT						51,75	52,00	8,00	S	*38X52X8★	32
1.493	2.447	.620	S	*8097%	39	2.037	2.047	.315			
1.479" SHAFT						51,75	52,00	9,00	S	*38X52X9★	32
-	-	-	S	800381	VRS2	2.037	2.047	.354			
-	-	-	V	800385	VRS2	51,75	52,00	10,00	S	*38X52X10★	32
2.563	2.567	.470	S	710304	#	2.037	2.047	.394			
1.484" SHAFT						52,00	52,20	6,00	S	710309★	#
-	-	-	S	800381	VRS2	2.047	2.055	.236			
-	-	-	V	800385	VRS2	52,00	52,20	7,00	S	38X52X7★	32
2.254	2.258	.250	L	40468	4L	2.047	2.055	.276			
2.254	2.258	.312	L	50468	5L	52,00	52,20	7,00	V	*38X52X7V★	35
1.491" SHAFT						2.047	2.055	.276			
-	-	-	S	800381	VRS2	52,00	52,20	9,00	S	239128★	#
-	-	-	V	800385	VRS2	2.047	2.055	.354			
-	-	.512		99147	Redi-Sleeve	52,00	52,25	6,00	S	1196★	47
2.191	2.195	.250	S	8597S	48	2.047	2.057	.236			
1.494" SHAFT						52,00	52,25	8,50	S	38X52X8.5★	32
-	-	-	S	800381	VRS2	2.047	2.057	.335			
-	-	-	V	800385	VRS2	52,00	52,25	8,50	S	38X52X8.5★	32
-	-	.512		99147	Redi-Sleeve	2.047	2.057	.335			
1.875	1.879	.187	S	*483643	48	52,00	52,25	8,50	S	38X52X8.5★	32
38,00mm (1.496") SHAFT						2.047	2.057	.335			
-	-	-	S	800381	VRS2	52,00	52,25	8,50	S	1174★	32
-	-	-	V	800385	VRS2	2.047	2.057	.335			
-	-	.512		99147	Redi-Sleeve	52,00	52,25	8,50	S	320833★	32
0,00	59,99	11,00	S	710509★	#	2.047	2.057	.335			
.000	2.362	.433				52,00	52,30	8,00	H	1966★➔	35
46,80	47,00	7,00	S	*38X47X7★	32	2.047	2.059	.315			
1.842	1.850	.276				52,04	52,15	6,35	S	3357★&	283
47,00	47,10	7,00	S	223805★	25	2.049	2.053	.250			
1.850	1.854	.276				52,27	52,40	6,35	S	482415★	48
47,00	47,25	8,00	S	*38X47X8★	25	2.058	2.063	.250			
1.850	1.860	.315				52,35	52,60	6,00	S	*38X52.6X6★	32
47,80	48,00	6,00	S	*38X48X6★	32	2.061	2.071	.236			
1.882	1.890	.236				52,91	53,01	8,26	S	*293751★	29
47,80	48,00	7,00	S	*38X48X7★	32	2.083	2.087	.325			
1.882	1.890	.276				53,00	0,00	8,00	S	223822★	32
47,80	48,00	10,00	S	*38X48X10★	32	2.087	.000	.315			
1.882	1.890	.394				53,00	53,20	8,00	S	38X53X8★	32
49,80	50,00	8,00	S	*38X50X8★	32	2.087	2.094	.315			
1.961	1.969	.315				53,00	53,30	8,00	V	1120★◀	32
49,80	50,00	10,00	S	*38X50X10★	32	2.087	2.098	.315			
1.961	1.969	.394				54,00	54,10	25,00	T	39875★➔	#
50,00	50,20	7,00	V	*38X50X7V★	35	2.126	2.130	.984			
1.969	1.976	.276				54,00	54,18	7,00	S	38X54X7★	48
50,00	50,25	6,00	N	223802★➔	32	2.126	2.133	.276			
1.969	1.978	.236				54,00	54,18	10,00	S	38X54X10★	32
						2.126	2.133	.394			
						54,00	54,20	10,00	V	*38X54X10V★	35
						2.126	2.134	.394			
						54,00	54,30	7,00	S	239146★	48
						2.126	2.138	.276			
						54,75	55,00	6,00	S	*38X55X6★	32
						2.155	2.165	.236			
						54,75	55,00	8,00	S	*38X55X8★	32
						2.155	2.165	.315			
						54,75	55,00	9,00	S	*38X55X9★	32
						2.155	2.165	.354			
						54,75	55,00	10,00	S	*38X55X10★	32
						2.155	2.165	.394			
						55,00	55,23	7,00	N	38X55X7★	32
						2.165	2.174	.276			
						55,00	55,28	7,00	N	223830★	35
						2.165	2.176	.276			

For Illustration and Material Data See Technical Section

Designed For A Specific Application - Not Recommended For General Use ➔ Hydrodynamic Lip Design-CW ◀ Hydrodynamic Lip Design-CCW % External Bore & Flanged O.D. * The U.S. customer service number is 877-4-TIMKEN. The Canadian customer service numbers are 800-565-4927 (English) and 800-565-0438 (French-Canadian). ★ Metric Seal

Size Section

Hsg. Bore	Seal O.D.	Seal Width	Lip Mat'l	Part No.	Type/ Illus.	Hsg. Bore	Seal O.D.	Seal Width	Lip Mat'l	Part No.	Type/ Illus.
38,00mm (1.496") SHAFT (cont.)						38,00mm (1.496") SHAFT (cont.)					
55,00	55,30	9,00	N	223831★➔	32	65,00	65,20	8,00	S	710435★	32
2.165	2.177	.354				2.559	2.567	.315			
55,75	56,00	7,00	S	*38X56X7★	32	65,00	65,27	12,00	N	1176★	#
2.195	2.205	.276				2.559	2.570	.472			
55,75	56,00	12,00	S	*38X56X12★	32	68,00	68,20	8,00	S	38X68X8★	32
2.195	2.205	.472				2.677	2.685	.315			
56,00	56,20	10,00	V	*38X56X10V★	35	68,00	68,20	8,00	S	710165★	#
2.205	2.213	.394				2.677	2.685	.315			
56,00	56,28	10,00	S	38X56X10★	32	68,00	68,20	10,00	S	38X68X10★	32
2.205	2.216	.394				2.677	2.685	.394			
56,75	57,00	10,00	S	*38X57X10★	32	70,00	70,20	10,00	S	38X70X10★	35
2.234	2.244	.394				2.756	2.764	.394			
57,75	58,00	7,00	S	*38X58X7★	32	71,75	72,00	12,00	S	*38X72X12★	32
2.273	2.283	.276				2.825	2.835	.472			
57,75	58,00	10,00	S	*38X58X10★	32	72,00	72,20	10,00	S	38X72X10★	35
2.273	2.283	.394				2.835	2.843	.394			
57,75	58,00	11,00	S	*38X58X11★	32	74,00	74,20	8,00	S	38X74X8★	32
2.273	2.283	.433				2.913	2.921	.315			
58,00	58,10	11,00	S	710319★	47	74,00	74,20	11,00	N	38X74X11★	32
2.283	2.287	.433				2.913	2.921	.433			
58,00	58,11	8,00	S	38X58X8★	47	74,00	74,27	11,00	N	1177★	32
2.283	2.288	.315				2.913	2.924	.433			
58,00	58,11	8,00	S	223840★	47	74,00	74,27	11,00	S	*320834★	32
2.283	2.288	.315				2.913	2.924	.433			
58,00	58,11	8,00	V	223842★	48	75,00	75,20	8,00	S	*38X75X8★	32
2.283	2.288	.315				2.953	2.961	.315			
58,00	58,11	8,00	S	*474119★	47	78,00	78,20	8,00	S	*38X78X8★	32
2.283	2.288	.315				3.071	3.079	.315			
58,00	58,20	10,00	N	710139★	#	79,72	80,00	10,00	S	*38X80X10★	32
2.283	2.291	.394				3.139	3.150	.394			
58,00	58,25	11,00	S	1175★➔	32	80,00	80,20	8,00	S	*38X80X8★	32
2.283	2.293	.433				3.150	3.157	.315			
59,00	59,30	9,00	N	1038★➔	32	90,00	90,20	8,00	S	*38X90X8★	32
2.323	2.335	.354				3.543	3.551	.315			
59,75	60,00	9,00	S	*38X60X9★	32	1.497" SHAFT					
2.352	2.362	.354				.000	2.226	.472	N	710510	#
60,00	60,20	8,00	S	38X60X8★	32	1.500" (1-1/2") SHAFT					
2.362	2.370	.315				-	-	-	S	800381	VRS2
60,00	60,20	10,00	V	*38X60X10V★	35	-	-	-	V	800385	VRS2
2.362	2.370	.394				-	-	-	S	800400	VRS1
60,00	60,35	10,00	S	38X60X10★	32	-	-	-	V	800404	VRS1
2.362	2.376	.394				-	-	.375	99150	Redi-Sleeve	
60,00	60,35	10,00	S	223843★	35	-	-	.563	99149	Redi-Sleeve	
2.362	2.376	.394				1.874	1.879	.250	S	253099	25
60,25	60,50	12,00	S	*38X60.5X12★	32	1.874	1.880	.250	S	343099	34
2.372	2.382	.472				1.875	-	.188	S	710044	#
61,75	62,00	9,00	S	*38X62X9★	32	1.875	1.879	.187	S	*443527	44
2.431	2.441	.354				1.938	1.942	.250	S	42260S	4S
61,75	62,00	10,00	S	*38X62X10★	32	1.938	1.942	.250	S	*312260	31
2.431	2.441	.394				1.983	1.987	.250	L	40382	4L
62,00	62,10	6,00	S	710224★	49	1.983	1.987	.437	S	*452554	45
2.441	2.445	.236				1.983	1.987	.437	N	452554N	45
62,00	62,20	7,00	V	*38X62X7V★	32	1.983	1.987	.437	S	472554	47
2.441	2.449	.276				1.983	1.987	.437	N	*482554N	48
62,00	62,24	13,00	N	710209★	#	1.983	1.988	.187	S	443018	44
2.441	2.450	.512				1.983	1.988	.250	V	474276V	47
62,00	62,28	7,00	S	38X62X7★	32	1.983	1.988	.250	S	474276	47
2.441	2.452	.276				1.989	1.993	.250	L	41257	4L
63,00	63,12	10,00	N	2009★	#	1.989	1.993	.285	S	3677&	287
2.480	2.485	.394				1.997	2.001	.531	S	6759S	1S
63,25	63,50	10,00	S	*38X63.5X10★	32	2.000	-	.250	U	710023	#
2.490	2.500	.394				2.000	2.004	.312	V	481163V	48
64,75	65,00	10,00	S	*38X65X10★	32	2.000	2.004	.312	S	481163	48
2.549	2.559	.394				2.000	2.004	.312	H	*481163H	48
64,75	65,00	11,00	S	*38X65X11★	32	2.000	2.005	.250	N	*492521N	49
2.549	2.559	.433				2.000	2.006	.250	S	352521	32
64,75	65,00	13,00	S	*38X65X13★	32	2.000	2.010	.187	S	240319	24
2.549	2.559	.512									
65,00	65,20	8,00	S	38X65X8★	32						
2.559	2.567	.315									

SIZE SECTION

For Illustration and Material Data See Technical Section

Designed For A Specific Application - Not Recommended For General Use ➔ Hydrodynamic Lip Design-CW & Flanged O.D.

* The U.S. customer service number is 877-4-TIMKEN. The Canadian customer service numbers are 800-565-4927 (English) and 800-565-0438 (French-Canadian). ★ Metric Seal

Hsg. Bore	Seal O.D.	Seal Width	Lip Mat'l	Part No.	Type/ Illus.	Hsg. Bore	Seal O.D.	Seal Width	Lip Mat'l	Part No.	Type/ Illus.
1.500" (1-1/2") SHAFT (cont.)						1.500" (1-1/2") SHAFT (cont.)					
2.000	2.010	.187	N	*240319N	24	2.327	2.332	.406	S	204013	204
2.000	2.010	.219	S	*712139	35	2.328	2.332	.437	S	*472591	47
2.000	2.010	.437	S	*350319	35	2.328	2.332	.437	S	*482591	48
2.048	2.052	.375	S	472466	47	2.372	2.376	.350	S	*2796	47
2.055	2.065	.276	N	321416	32	2.372	2.376	.420	N	2194◀	88
2.062	2.066	.240	S	7537S	24	2.372	2.376	1.458	S	7692S◀	79
2.062	2.066	.240	S	*340980	34	2.374	2.378	.250	N	*3120N	47
2.062	2.066	.250	F	6545	21	2.374	2.378	.250	S	40059S	4S
2.062	2.066	.250	S	480630	48	2.374	2.378	.312	S	*480380	48
2.062	2.066	.375	N	*470991N	47	2.374	2.378	.375	S	*451308	45
2.062	2.066	.375	S	480991	48	2.374	2.378	.375	S	*471308	47
2.062	2.066	.437	S	*410451	41	2.374	2.378	.375	S	*481308	48
2.062	2.066	.437	S	450451	45	2.374	2.378	.500	S	*2326◀	47
2.062	2.066	.437	H	*450451H	45	2.374	2.378	.500	N	*2326N◀	47
2.062	2.066	.437	S	470451	47	2.374	2.378	.500	S	410059	41
2.062	2.066	.437	H	*470451H	47	2.374	2.378	.500	H	*410059H	41
2.062	2.066	.437	S	*480451	48	2.374	2.378	.500	N	*410059N	41
2.125	2.129	.312	S	473227	47	2.374	2.378	.500	S	*450059	45
2.125	2.129	.312	N	*473227N	47	2.374	2.378	.500	H	*450059H	45
2.125	2.129	.312	V	473227V	47	2.374	2.378	.500	N	*450059N	45
2.125	2.129	.312	S	*483227	48	2.374	2.378	.500	V	*450059V	45
2.125	2.129	.437	S	*50394	5S	2.374	2.378	.500	S	470059	47
2.125	2.129	.437	S	*410394	41	2.374	2.378	.500	H	*470059H	47
2.125	2.129	.437	H	*410394H	41	2.374	2.378	.500	N	*470059N	47
2.125	2.129	.437	N	*410394N	41	2.374	2.378	.500	S	*480059	48
2.125	2.129	.437	S	*450394	45	2.374	2.378	.500	N	*480059N	48
2.125	2.129	.437	N	*450394N	45	2.374	2.378	.710	S	*3680	#
2.125	2.129	.437	V	*450394V	45	2.375	2.378	.312	S	470380	47
2.125	2.129	.437	S	470394	47	2.375	2.378	.312	V	470380V	47
2.125	2.129	.437	H	*470394H	47	2.375	2.379	.312	A	470380A	47
2.125	2.129	.437	N	*470394N	47	2.375	2.379	.602	N	9470&	57
2.125	2.129	.437	S	*480394	48	2.377	2.381	.470	N	*7413◀	71
2.125	2.134	.437	S	350394	35	2.377	2.381	.470	S	9613S◀	71
2.187	2.187	.500	L	6312%	8L	2.377	2.381	.500	S	*2175◀	47
2.192	2.196	.250	S	43078S	4S	2.377	2.381	.500	S	472189A◀	47
2.222	2.226	.312	S	480844	48	2.385	2.389	.320	S	*8346	#
2.247	2.253	.360	N	*9928H➔	75	2.437	2.441	.250	S	7886S	48
2.249	2.253	.360	N	331228H➔	75	2.437	2.441	.250	S	40063S	4S
2.249	2.254	.250	S	5115➔	47	2.437	2.441	.375	S	471820	47
2.249	2.254	.280	S	*2205	#	2.437	2.441	.468	S	*410063	41
2.250	-	.500	U	710020	#	2.437	2.441	.468	S	*450063	45
2.250	2.254	.312	S	470625	47	2.437	2.441	.468	H	*450063H	45
2.250	2.254	.312	A	470625A	47	2.437	2.441	.468	S	*470063	47
2.250	2.254	.312	N	*470625N	47	2.437	2.441	.468	S	*480063	48
2.250	2.254	.312	V	470625V	47	2.441	2.445	.375	S	471344	47
2.250	2.254	.312	S	*480625	48	2.441	2.445	.375	S	*481344	48
2.250	2.254	.312	V	480625V	48	2.441	2.445	.500	S	*410814	41
2.250	2.254	.375	S	*450548	45	2.441	2.445	.500	S	*450814	45
2.250	2.254	.375	N	*450548N	45	2.441	2.445	.500	S	*480814	48
2.250	2.254	.375	S	470548	47	2.462	2.482	.290	S	200861%	200E
2.250	2.254	.375	U	710012	#	2.500	2.500	.375	T	710414	#
2.250	2.254	.500	S	*410136	41	2.502	2.506	.250	S	*40067S	4S
2.250	2.254	.500	S	*450136	45	2.502	2.506	.312	V	473228V	47
2.250	2.254	.500	N	*450136N	45	2.502	2.506	.312	S	473228	47
2.250	2.254	.500	N	*470136	47	2.502	2.506	.312	N	*473228N	47
2.250	2.254	.500	S	*480136	48	2.502	2.506	.312	S	*483228	48
2.250	2.258	.250	S	340136	34	2.502	2.506	.375	L	6426	4L
2.250	2.258	.250	H	*340136H	34	2.502	2.506	.375	S	*471837	47
2.250	2.260	.312	S	322373	32	2.502	2.506	.375	S	481837	48
2.252	2.256	.375	V	*451507V	45	2.502	2.506	.435	L	51098L**	5L
2.252	2.256	.375	S	*471507	47	2.502	2.506	.437	S	51098	48
2.252	2.256	.375	N	*471507N	47	2.502	2.506	.500	S	*410067	41
2.252	2.256	.375	S	*481507	48	2.502	2.506	.500	H	*410067H	41
2.252	2.256	.375	H	*481507H	48	2.502	2.506	.500	S	450067	45
2.252	2.256	.375	N	*481507N	48	2.502	2.506	.500	N	*450067N	45
2.252	2.256	.375	V	*481507V	48	2.502	2.506	.500	S	*470067	47
2.254	2.258	.312	S	453065	45	2.502	2.506	.500	S	*480067	48
2.256	-	.270	S	200859%	200	2.561	2.565	.500	S	410190	41
2.260	2.264	.405	S	9363S	41	2.561	2.565	.500	S	*450190	45
2.311	2.315	.500	V	712023	#	2.561	2.565	.500	S	470190	47
2.327	2.332	.406	S	*3428	204	2.561	2.565	.500	S	*480190	48
2.327	2.332	.406	S	203013	203	2.623	2.627	.250	S	41461S	4S

For Illustration and Material Data See Technical Section

Designed For A Specific Application - Not Recommended For General Use ➔ Hydrodynamic Lip Design-CW ◀ Hydrodynamic Lip Design-CCW ** Canada Only

% External Bore & Flanged O.D.

* The U.S. customer service number is 877-4-TIMKEN. The Canadian customer service numbers are 800-565-4927 (English) and 800-565-0438 (French-Canadian).

Size Section

Hsg. Bore	Seal O.D.	Seal Width	Lip Mat'l	Part No.	Type/ Illus.	Hsg. Bore	Seal O.D.	Seal Width	Lip Mat'l	Part No.	Type/ Illus.
1.500" (1-1/2") SHAFT (cont.)						1.521" SHAFT					
2.623	2.627	.500	S	*411857	41	-	-	-	S	800400	VRS1
2.623	2.627	.500	N	*411857N	41	-	-	-	V	800404	VRS1
2.623	2.627	.500	S	*451857	45	-	-	.438	-	99152	Redi-Sleeve
2.623	2.627	.500	S	*481857	48	2.656	2.660	.424	S	8610	74
2.686	2.690	.500	S	*410487	41	2.656	2.660	.594	S	8611N	74
2.686	2.690	.500	S	*450487	45	1.523" SHAFT					
2.686	2.690	.500	S	470487	47	-	-	-	S	800400	VRS1
2.686	2.690	.500	N	*470487N	47	-	-	-	V	800404	VRS1
2.686	2.690	.500	S	*480487	48	-	-	.438	-	99152	Redi-Sleeve
2.716	2.720	.250	S	*43808	4S	2.714	2.718	.500	S	8940S	48
2.716	2.720	.468	S	*410984	41	1.531" (1-17/32") SHAFT					
2.716	2.720	.468	S	*450984	45	-	-	-	S	800400	VRS1
2.750	2.754	.312	S	*473440	47	-	-	-	V	800404	VRS1
2.750	2.754	.500	S	*410461	41	2.374	2.378	.375	S	*452222	45
2.750	2.754	.500	S	450461	45	2.374	2.378	.500	S	*410060	41
2.750	2.754	.500	S	*470461	47	2.374	2.378	.500	V	*410060V	41
2.750	2.754	.500	S	*480461	48	2.374	2.378	.500	S	*410077	41
2.758	2.762	.500	S	*410077	41	2.374	2.378	.500	S	*450077	45
2.758	2.762	.500	S	*450077	45	2.758	2.762	.500	N	*450077N	45
2.758	2.762	.500	N	*450077N	45	2.758	2.762	.500	S	470077	47
2.758	2.762	.500	S	470077	47	2.758	2.762	.500	S	*480077	48
2.758	2.762	.500	S	*480077	48	2.758	2.763	.312	S	*474281	47
2.758	2.763	.312	S	*474281	47	2.835	2.839	.468	S	471915	47
2.835	2.839	.468	S	471915	47	2.875	2.879	.468	S	*410523	41
2.875	2.879	.468	S	*410523	41	2.875	2.879	.468	S	*450523	45
2.875	2.879	.468	S	*450523	45	2.875	2.879	.468	S	*470523	47
2.875	2.879	.468	S	*470523	47	2.875	2.879	.468	S	*480523	48
2.875	2.879	.468	S	*480523	48	2.996	3.001	.500	S	*410326	41
2.996	3.001	.500	S	*410326	41	2.996	3.001	.500	S	*450326	45
2.996	3.001	.500	S	*450326	45	2.996	3.001	.500	S	*470326	47
2.996	3.001	.500	S	*470326	47	2.996	3.001	.500	S	*480326	48
2.996	3.001	.500	S	*480326	48	3.000	3.005	.375	S	*471958	47
3.000	3.005	.375	S	*471958	47	3.000	3.005	.375	S	*481958	48
3.000	3.005	.375	S	*481958	48	3.000	3.005	.500	S	*451235	45
3.000	3.005	.500	S	*451235	45	3.125	3.130	.625	S	*210914	21
3.125	3.130	.625	S	*210914	21	3.150	3.155	.500	S	*472446	47
3.150	3.155	.500	S	*472446	47	3.189	3.194	.437	S	450540	45
3.189	3.194	.437	S	450540	45	3.350	3.355	.468	S	*450493	45
3.350	3.355	.468	S	*450493	45	3.543	3.548	.375	S	*477340	47
3.543	3.548	.375	S	*477340	47	3.543	3.548	.500	S	*415308	41
3.543	3.548	.500	S	*415308	41	3.544	3.548	.500	S	455308	45
3.544	3.548	.500	S	455308	45	1.502" SHAFT					
1.502" SHAFT						-	-	-	S	800400	VRS1
-	-	-	V	800404	VRS1	-	-	-	V	800404	VRS1
-	-	.375	-	99150	Redi-Sleeve	-	-	.375	-	99150	Redi-Sleeve
-	-	.563	-	99149	Redi-Sleeve	-	-	.563	-	99149	Redi-Sleeve
2.126	2.132	.492	N	4530	96	2.126	2.132	.492	N	4530	96
2.377	2.381	.374	N	4583	86	2.377	2.381	.374	N	4583	86
1.503" SHAFT						39,00mm (1.535") SHAFT					
-	-	-	S	800400	VRS1	-	-	-	S	800400	VRS1
-	-	-	V	800404	VRS1	-	-	-	V	800404	VRS1
-	-	.375	-	99150	Redi-Sleeve	0,00	53,20	8,00	N	710451	32
-	-	.563	-	99149	Redi-Sleeve	.000	2,094	.315	-	-	-
1.937	1.950	.475	N	710247	#	50,00	50,29	11,00	N	710120	#
2.374	2.379	.374	N	4934	79	1.969	1.980	.433	-	-	-
2.376	2.383	.420	N	4370N	88	50,50	50,75	8,50	S	1126	25
38,50mm (1.516") SHAFT						1.988	1.998	.335	-	-	-
-	-	-	S	800400	VRS1	50,75	51,00	7,50	S	*39X51X7.5	32
-	-	-	V	800404	VRS1	1.998	2.008	.295	-	-	-
53,00	53,23	8,00	N	710233	32	50,80	51,00	7,50	S	1128	35
2.087	2.096	.315	-	-	-	2.000	2.008	.295	-	-	-
58,00	58,20	8,50	N	710318	32	52,00	52,10	6,00	S	710338	66
2.283	2.291	.335	-	-	-	2.047	2.051	.236	-	-	-
1.546" SHAFT						52,00	52,10	11,30	S	1205N	47
-	-	-	S	800400	VRS1	2.047	2.051	.445	-	-	-
-	-	-	V	800404	VRS1	52,00	52,30	11,30	S	1205	47
2.375	2.385	.500	S	*712144	32	2.047	2.051	.445	-	-	-
-	-	-	S	800400	VRS1	2.047	2.051	.445	-	-	-
-	-	-	V	800404	VRS1	54,00	54,10	6,00	S	710404	49
-	-	-	S	*712144	32	2.126	2.130	.236	-	-	-
SIZE SECTION						54,75	55,00	9,00	S	*39X55X9	32
SIZE SECTION						2.155	2.165	.354	-	-	-
SIZE SECTION						55,00	55,11	7,50	S	710158	40
SIZE SECTION						2.165	2.170	.295	-	-	-
SIZE SECTION						55,75	56,00	7,00	S	*39X56X7	32
SIZE SECTION						2.195	2.205	.276	-	-	-
SIZE SECTION						57,00	57,20	17,00	N	710123	40
SIZE SECTION						2.244	2.252	.669	-	-	-
SIZE SECTION						57,00	57,20	21,50	N	710122	40
SIZE SECTION						2.244	2.252	.846	-	-	-
SIZE SECTION						57,00	57,38	9,65	V	324204	32
SIZE SECTION						2.244	2.259	.380	-	-	-
SIZE SECTION						58,75	59,00	8,00	S	*39X59X8	32
SIZE SECTION						2.313	2.323	.315	-	-	-
SIZE SECTION						59,00	59,28	11,00	N	710214	40
SIZE SECTION						2.323	2.334	.433	-	-	-
SIZE SECTION						59,00	59,30	11,00	S	710118	40
SIZE SECTION						2.323	2.335	.433	-	-	-
SIZE SECTION						64,75	65,00	8,00	S	*39X65X8	32
SIZE SECTION						2.549	2.559	.315	-	-	-

For Illustration and Material Data See Technical Section

Designed For A Specific Application - Not Recommended For General Use ➔ Hydrodynamic Lip Design-CW ◀ Hydrodynamic Lip Design-CCW

* The U.S. customer service number is 877-4-TIMKEN. The Canadian customer service numbers are 800-565-4927 (English) and 800-565-0438 (French-Canadian). ★ Metric Seal

Hsg. Bore	Seal O.D.	Seal Width	Lip Mat'l	Part No.	Type/ Illus.	Hsg. Bore	Seal O.D.	Seal Width	Lip Mat'l	Part No.	Type/ Illus.
1.550" SHAFT						1.562" (1-9/16") SHAFT (cont.)					
-	-	-	S	800400	VRS1	2.374	2.378	.250	S	40438S	4S
-	-	-	V	800404	VRS1	2.374	2.378	.312	S	472299	47
-	-	.438		99155	Redi-Sleeve	2.374	2.378	.312	V	472299V	47
2.686	2.690	.500	S	*3873	#	2.374	2.378	.312	S	*482299	48
2.686	2.690	.500	L	8695L**	5L	2.374	2.378	.312	N	*482299N	48
2.686	2.690	.500	S	8695S↔	47	2.374	2.378	.375	S	*471810	47
1.552" SHAFT						2.374	2.378	.375	V	*471810V	47
-	-	-	S	800400	VRS1	2.374	2.378	.375	S	*481810	48
-	-	-	V	800404	VRS1	2.374	2.378	.500	S	*410438	41
-	-	.438		99155	Redi-Sleeve	2.374	2.378	.500	S	*450438	45
2.447	2.452	.500	S	2922→	86	2.374	2.378	.500	N	*450438N	45
2.447	2.452	.500	S	710046→	86	2.374	2.378	.500	S	*470438	47
2.502	2.506	.312	N	711552	47	2.374	2.378	.500	S	*480438	48
2.502	2.506	.500	S	472635	47	2.374	2.378	.500	N	*480438N	48
2.502	2.506	.500	N	*472635N	47	2.375	2.379	.500	N	*3439N	#
2.623	2.627	.500	S	*473056	47	2.437	2.441	.375	S	471821	47
2.623	2.627	.500	N	*473056N	47	2.437	2.441	.375	H	*471821H	47
2.750	2.755	.415	S	4244↔	72	2.437	2.441	.375	S	*481821	48
3.160	3.165	.530	S	*4434	72	2.437	2.441	.468	S	*410064	41
3.160	3.165	.530	N	*4434N	72	2.437	2.441	.468	H	*410064H	41
3.160	3.165	.530	N	5778	72	2.437	2.441	.468	S	*450064	45
3.160	3.165	.608	V	4941V	#	2.437	2.441	.468	N	*450064N	45
3.160	3.165	.645	V	5778V	72	2.437	2.441	.468	S	*470064	47
1.558" SHAFT						2.437	2.441	.500	S	*480064	48
-	-	-	S	800400	VRS1	2.437	2.441	.500	S	*450963	45
-	-	-	V	800404	VRS1	2.437	2.441	.500	S	*480963	48
2.250	2.254	1.520	S	8935S&	79	2.441	2.445	.375	S	471827	47
2.372	2.376	.350	S	*2876&	74	2.441	2.445	.500	S	*470684	47
2.372	2.376	1.500	S	2506&	79	2.441	2.445	.781	S	*10684S	1S
39,60mm (1.559") SHAFT						2.441	2.457	.500	S	8160S	32
51,75	52,00	11,00	S	*39.6X52X11★	32	2.502	2.506	.250	L	40185	4L
2.037	2.047	.433				2.502	2.506	.250	S	*42364S	4S
1.562" (1-9/16") SHAFT						2.502	2.506	.312	S	473229	47
-	-	-	S	800400	VRS1	2.502	2.506	.312	S	*483229	48
-	-	-	V	800404	VRS1	2.502	2.506	.375	S	*470903	47
-	-	.563		99156	Redi-Sleeve	2.502	2.506	.500	V	450185V	45
2.061	2.275	.338	S	1195	32	2.502	2.506	.500	S	*410185	41
2.062	2.066	.200	S	7994S	44	2.502	2.506	.500	S	450185	45
2.062	2.066	.250	S	8421S	33	2.502	2.506	.500	H	*450185H	45
2.062	2.066	.250	S	*330749	33	2.502	2.506	.500	N	*450185N	45
2.062	2.066	.250	N	*330749N	33	2.502	2.506	.500	S	*470185	47
2.062	2.066	.250	V	330749V	33	2.502	2.506	.500	S	*480185	48
2.062	2.067	.188	T	39920→	FW-H	2.502	2.506	.500	S	*480185	48
2.094	2.098	.312	F	*712129	#	2.531	2.621	.285	S	200640%	200E
2.096	2.102	.250	S	340927	34	2.561	2.565	.500	S	*410143	41
2.125	2.129	.375	T	39711→	FW-H	2.561	2.565	.500	S	450143	45
2.125	2.129	.375	S	473517	47	2.561	2.565	.500	S	*470143	47
2.125	2.129	.437	S	*411016	41	2.561	2.565	.500	S	*480143	48
2.125	2.129	.437	S	*451016	45	2.623	2.627	.312	S	470682	47
2.125	2.129	.437	S	*471016	47	2.623	2.627	.312	S	*480682	48
2.125	2.129	.437	S	*481016	48	2.623	2.627	.500	S	*410262	41
2.125	2.129	.437	N	*481016N	48	2.623	2.627	.500	S	*450262	45
2.237	2.257	.290	S	200887%	200E	2.623	2.627	.500	S	*470262	47
2.250	2.254	.312	S	472213	47	2.623	2.627	.500	S	*480262	48
2.250	2.254	.312	S	*482213	48	2.684	2.701	.250	S	6336S%	26
2.250	2.254	.500	S	*411084	41	2.686	2.690	.375	L	5796	201
2.250	2.254	.500	S	*451084	45	2.686	2.690	.375	H	*411316H	41
2.250	2.254	.500	H	*451084H	45	2.686	2.690	.375	S	471316	47
2.250	2.254	.500	S	*471084	47	2.686	2.690	.375	S	*481316	48
2.250	2.254	.500	S	*481084	48	2.686	2.690	.500	S	*410751	41
2.252	2.256	.375	S	*481279	48	2.686	2.690	.500	S	*450751	45
2.252	2.256	.375	N	*481279N	48	2.686	2.690	.500	S	*470751	47
2.320	2.326	.374	S	1873	35	2.686	2.690	.500	S	*480751	48
						2.716	2.720	.468	S	*410803	41
						2.716	2.720	.468	S	450803	45
						2.750	2.754	.375	S	473441	47
						2.750	2.754	.500	S	*410109	41
						2.750	2.754	.500	S	*450109	45
						2.750	2.754	.500	S	*470109	47
						2.750	2.754	.500	N	470109N	47
						2.750	2.754	.500	S	*480109	48
						2.758	2.762	.500	S	*410273	41
						2.758	2.762	.500	S	450273	45

For Illustration and Material Data See Technical Section

Designed For A Specific Application - Not Recommended For General Use → Hydrodynamic Lip Design-CW ↔ Hydrodynamic Lip Design-Bidirectional ** Canada Only

% External Bore & Flanged O.D.

* The U.S. customer service number is 877-4-TIMKEN. The Canadian customer service numbers are 800-565-4927 (English) and 800-565-0438 (French-Canadian). ★ Metric Seal

Hsg. Bore	Seal O.D.	Seal Width	Lip Mat'l	Part No.	Type/ Illus.	Hsg. Bore	Seal O.D.	Seal Width	Lip Mat'l	Part No.	Type/ Illus.
40,00mm (1.575") SHAFT (cont.)						40,00mm (1.575") SHAFT (cont.)					
56,00	56,26	7,00	V	*350612★	35	63,25	63,50	10,00	S	*40X63.5X10★	32
2.205	2.215	.276				2.490	2.500	.394			
56,00	56,26	8,00	S	712551★	32	63,75	64,00	10,00	S	*40X64X10★	32
2.205	2.215	.315				2.510	2.520	.394			
56,00	56,26	9,00	V	224026★	35	63,75	64,00	12,00	S	*40X64X12★	32
2.205	2.215	.354				2.510	2.520	.472			
56,75	57,00	7,00	S	*40X57X7★	32	64,00	64,00	11,98	N	1216★&	74
2.234	2.244	.276				2.520	2.520	.472			
56,90	57,15	10,00	S	*40X57.15X10★	32	64,00	64,10	12,00	N	1216N★&	74
2.240	2.250	.394				2.520	2.524	.472			
57,00	57,20	10,00	S	40X57X10★	32	64,00	64,10	12,00	S	710326★	66
2.244	2.252	.394				2.520	2.524	.472			
57,00	57,20	10,00	S	710432★	32	64,75	65,00	8,00	S	*40X65X8★	32
2.244	2.252	.394				2.549	2.559	.315			
57,75	58,00	6,50	S	*40X58X6.5★	32	64,75	65,00	12,00	S	*40X65X12★	32
2.273	2.283	.256				2.549	2.559	.472			
58,00	58,14	9,00	N	3459★<=>	74	65,00	65,13	9,53	S	474161★	47
2.283	2.289	.354				2.559	2.564	.375			
58,00	58,20	8,00	S	40X58X8★	32	65,00	65,20	20,00	S	710134★	#
2.283	2.291	.315				2.559	2.567	.787			
58,00	58,20	10,00	V	*40X58X10V★	35	65,00	65,28	10,00	S	40X65X10★	32
2.283	2.291	.394				2.559	2.570	.394			
58,00	58,28	10,00	S	40X58X10★	32	65,00	65,28	10,00	S	224100★	35
2.283	2.294	.394				2.559	2.570	.394			
58,75	59,00	10,00	S	*40X59X10★	32	66,00	66,30	8,00	N	224066★<=>	40
2.313	2.323	.394				2.598	2.610	.315			
59,75	60,00	7,00	S	*40X60X7★	32	67,75	68,00	7,00	S	*40X68X7★	32
2.352	2.362	.276				2.667	2.677	.276			
59,75	60,00	12,00	S	*40X60X12★	32	67,75	68,00	10,00	S	*40X68X10★	32
2.352	2.362	.472				2.667	2.677	.394			
60,00	60,20	8,00	S	710147★	#	68,00	68,10	9,00	N	224068★	40
2.362	2.370	.315				2.677	2.681	.354			
60,00	60,20	10,00	S	224040★	35	68,00	68,25	12,00	S	40X68X12★	35
2.362	2.370	.394				2.677	2.687	.472			
60,00	60,20	10,00	S	40X60X10★	32	68,00	68,80	8,00	S	40X68X8★	35
2.362	2.370	.394				2.677	2.709	.315			
60,00	60,20	10,00	V	*40X60X10V★	35	69,75	70,00	10,00	S	*40X70X10★	32
2.362	2.370	.394				2.746	2.756	.394			
60,00	60,20	10,00	S	*1078★	33	69,75	70,00	12,00	S	*40X70X12★	32
2.362	2.370	.394				2.746	2.756	.472			
61,75	62,00	9,00	S	*40X62X9★	32	70,00	70,20	8,00	S	40X70X8★	32
2.431	2.441	.354				2.756	2.764	.315			
61,75	62,00	10,00	S	*40X62X10★	32	71,75	72,00	10,00	S	*40X72X10★	32
2.431	2.441	.394				2.825	2.835	.394			
61,75	62,00	11,00	S	*40X62X11★	32	71,75	72,00	12,00	S	*40X72X12★	32
2.431	2.441	.433				2.825	2.835	.472			
61,75	62,00	11,50	S	*40X62X11.5★	32	72,00	72,35	7,00	S	40X72X7★	35
2.431	2.441	.453				2.835	2.848	.276			
62,00	62,20	7,00	S	40X62X7★	35	72,00	72,35	7,00	V	350572★	35
2.441	2.449	.276				2.835	2.848	.276			
62,00	62,20	7,00	V	*40X62X7V★	32	73,00	73,10	10,00	N	710284★	#
2.441	2.449	.276				2.874	2.878	.394			
62,00	62,20	9,00	S	710131★	#	73,75	74,00	10,00	S	*40X74X10★	32
2.441	2.449	.354				2.903	2.913	.394			
62,00	62,25	8,00	S	40X62X8★	32	74,00	74,12	10,00	S	474133★	47
2.441	2.451	.315				2.913	2.918	.394			
62,00	62,25	10,00	S	*1179★	#	74,00	74,20	8,00	S	*40X74X8★	32
2.441	2.451	.394				2.913	2.921	.315			
62,00	62,25	11,50	S	40X62X12★	35	74,75	75,00	10,00	S	*40X75X10★	32
2.441	2.451	.453				2.943	2.953	.394			
62,00	62,27	10,00	V	710196★	32	74,75	75,00	13,00	S	*40X75X13★	32
2.441	2.452	.394				2.943	2.953	.512			
62,00	62,27	11,00	S	224045★	32	75,00	75,20	8,00	S	40X75X8★	32
2.441	2.452	.433				2.953	2.961	.315			
62,00	62,30	6,50	S	710227★	#	75,00	75,20	12,00	S	712011★	32
2.441	2.453	.256				2.953	2.961	.472			
62,25	62,50	11,00	S	*40X62.5X11★	32	75,00	75,26	12,00	N	2011★<=>	40
2.451	2.461	.433				2.953	2.963	.472			
62,75	63,00	7,00	S	*40X63X7★	32	75,00	75,26	18,00	N	712020★<=>	32
2.470	2.480	.276				2.953	2.963	.709			
63,00	63,30	8,00	N	224063★<=>	32	75,00	75,30	12,00	S	*710050★	32
2.480	2.492	.315				2.953	2.965	.472			

For Illustration and Material Data See Technical Section

Designed For A Specific Application - Not Recommended For General Use <=> Hydrodynamic Lip Design-CW <=> Hydrodynamic Lip Design-CCW

<=> Hydrodynamic Lip Design-Bidirectional & Flanged O.D.

* The U.S. customer service number is 877-4-TIMKEN. The Canadian customer service numbers are 800-565-4927 (English) and 800-565-0438 (French-Canadian). ★ Metric Seal

Size Section

Hsg. Bore	Seal O.D.	Seal Width	Lip Mat'l	Part No.	Type/ Illus.	Hsg. Bore	Seal O.D.	Seal Width	Lip Mat'l	Part No.	Type/ Illus.
40,00mm (1.575") SHAFT (cont.)						1.594" SHAFT (cont.)					
75,00	75,30	12,00	S	710113★	#	58,00	58,23	8,00	S	710140★	32
2.953	2.965	.472				2.283	2.293	.315			
75,75	76,00	8,00	S	*40X76X8★	32	1.598" SHAFT					
2.982	2.992	.315				-	-	-	S	800400	VRS1
76,00	76,25	8,00	S	1036★➔	40	-	-	-	V	800404	VRS1
2.992	3.002	.315				2.476	2.483	.350	N	4765◆	79
76,00	76,28	12,50	N	1146★◆	32	2.476	2.483	.420	N	4764◆	86
2.992	3.003	.492				1.603" SHAFT					
78,00	78,20	10,00	S	40X78X10★	35	-	-	-	S	800400	VRS1
3.071	3.079	.394				-	-	-	V	800404	VRS1
78,00	78,80	8,00	S	40X78X8★	32	-	-	.500		99160	Redi-Sleeve
3.071	3.102	.315				2.282	2.292	.530	N	*7456N&	94
79,72	80,00	7,00	S	*40X80X7★	32	2.375	2.379	.187	N	*8073	#
3.139	3.150	.276				1.605" SHAFT					
79,72	80,00	12,00	S	*40X80X12★	32	-	-	-	S	800400	VRS1
3.139	3.150	.472				-	-	-	V	800404	VRS1
80,00	80,20	10,00	V	*40X80X10V★	32	-	-	.500		99160	Redi-Sleeve
3.150	3.157	.394				2.374	2.386	.375	S	1192	32
80,00	80,28	10,00	S	40X80X10★	35	2.560	2.565	.693	N	714679◆➔	#
3.150	3.161	.394				2.795	2.804	.364	N	4674N◆➔	#
80,22	80,50	10,00	S	*40X80.5X10★	32	1.609" SHAFT					
3.158	3.169	.394				-	-	-	S	800400	VRS1
82,00	82,20	8,00	S	*40X82X8★	32	-	-	-	V	800404	VRS1
3.228	3.236	.315				2.435	2.441	.300	V	2658V	75
85,00	85,20	8,00	S	*40X85X8★	32	2.435	2.441	.300	H	2658◆	75
3.346	3.354	.315				2.750	2.754	.500	S	*413310	41
88,00	88,20	8,00	S	*40X88X8★	32	1.610" SHAFT					
3.465	3.472	.315				-	-	-	S	800400	VRS1
89,72	90,00	10,00	S	*40X90X10★	32	-	-	-	V	800404	VRS1
3.532	3.543	.394				2.500	2.531	.300	S	6283S	26
89,72	90,00	12,00	S	*40X90X12★	32	41,00mm (1.614") SHAFT					
3.532	3.543	.472				-	-	-	S	800400	VRS1
90,00	90,20	8,00	S	40X90X8★	35	-	-	-	V	800404	VRS1
3.543	3.551	.315				50,75	51,00	5,00	S	*41X51X5★	32
1.578" SHAFT						-	-	.197			
-	-	-	S	800400	VRS1	52,75	53,00	7,00	S	*41X53X7★	32
-	-	-	V	800404	VRS1	2.077	2.087	.276			
-	-	.512		99157	Redi-Sleeve	53,00	53,25	7,00	S	1950★	41
2.000	2.004	.250	S	43074S	4S	2.087	2.096	.276			
2.408	2.412	.500	S	450666	45	53,75	54,00	7,00	S	*41X54X7★	32
1.593" (1-19/32") SHAFT						2.116	2.126	.276			
-	-	-	S	800400	VRS1	54,00	54,23	7,00	N	224150★	35
-	-	-	V	800404	VRS1	2.126	2.135	.276			
2.437	2.441	.468	S	450065	45	55,00	55,29	7,00	S	41X55X7★	32
2.437	2.441	.500	S	*482042	48	2.165	2.177	.276			
2.502	2.506	.250	S	482253	48	55,00	55,29	7,00	S	1180★	32
2.502	2.506	.250	N	*482253N	48	2.165	2.177	.276			
2.502	2.506	.281	N	*482605N	48	55,45	55,70	9,00	S	*41X55.7X9★	32
2.502	2.506	.375	S	*481838	48	2.183	2.193	.354			
2.502	2.506	.500	S	*450258	45	56,00	0,00	8,00	V	711181★	32
2.623	2.627	.340	S	451469	45	2.205	.000	.315			
2.623	2.627	.500	S	*451858	45	56,00	56,25	7,00	S	41X56X7★	32
2.623	2.627	.500	H	*451858H	45	2.205	2.215	.276			
2.758	2.762	.500	S	450274	45	56,00	56,25	7,00	S	1181★	35
2.758	2.762	.500	H	*450274H	45	2.205	2.215	.276			
1.594" SHAFT						59,00	59,10	10,00	N	710114★➔	98
-	-	-	S	800400	VRS1	2.323	2.327	.394			
-	-	-	V	800404	VRS1	61,00	61,20	10,00	N	710141★◆	#
.000	2.291	.354	N	710512	40	2.402	2.409	.394			
52,50	52,70	6,00	N	710436★➔	35						
2.067	2.075	.236									
2.125	2.129	.250	S	480581	48						
2.125	2.129	.281	S	*481384	48						
2.125	2.129	.281	N	*481384N	48						
2.125	2.129	.281	V	*481384V	48						

SIZE SECTION

For Illustration and Material Data See Technical Section

Designed For A Specific Application - Not Recommended For General Use ➔ Hydrodynamic Lip Design-CW ◆ Hydrodynamic Lip Design-CCW

◆ Hydrodynamic Lip Design-Bidirectional & Flanged O.D.

* The U.S. customer service number is 877-4-TIMKEN. The Canadian customer service numbers are 800-565-4927 (English) and 800-565-0438 (French-Canadian). ★ Metric Seal

Hsg. Bore	Seal O.D.	Seal Width	Lip Mat'l	Part No.	Type/ Illus.	Hsg. Bore	Seal O.D.	Seal Width	Lip Mat'l	Part No.	Type/ Illus.
41,00mm (1.614") SHAFT (cont.)						1.625" (1-5/8") SHAFT (cont.)					
62,00	62,20	8,00	S	* 41X62X8★	32	2.374	2.378	.500	S	* 480358	48
2.441	2.449	.315				2.374	2.378	.500	N	* 710358	45
62,00	62,23	9,00	N	710220★➔	32	2.374	2.385	.375	S	* 321150	32
2.441	2.450	.354				2.437	2.441	.250	S	* 40066S	4S
63,00	63,20	9,00	N	710291★◀	40	2.437	2.441	.312	V	473367V	47
2.480	2.488	.354				2.437	2.441	.312	S	473367	47
63,75	64,00	10,00	S	* 41X64X10★	32	2.437	2.441	.312	V	483367V	48
2.510	2.520	.394				2.437	2.441	.375	S	471419	47
68,00	68,20	13,00	S	710402★	#	2.437	2.441	.375	S	* 481419	48
2.677	2.685	.512				2.437	2.441	.375	H	* 481419H	48
1.618" SHAFT											
-	-	-	S	800400	VRS1	2.437	2.441	.468	S	* 410066	41
-	-	-	V	800404	VRS1	2.437	2.441	.468	S	450066	45
2.000	2.004	.235	S	* 484206	48	2.437	2.441	.468	N	* 450066N	45
2.124	2.128	.250	V	* 483525V	48	2.437	2.441	.500	S	* 470066	47
2.531	2.535	.750	S	8477S	48	2.437	2.441	.500	S	* 480066	48
2.574	2.579	.460	S	* 3983◀➔	47	2.437	2.441	.500	V	* 452401	45
2.575	2.579	.460	L	8835L**	33	2.437	2.441	.500	V	* 452401V	45
2.575	2.579	.500	S	8835S◀➔	33	2.437	2.441	.500	S	* 482401	48
2.841	2.849	.500	N	4762N◀➔	74	2.437	2.441	.500	V	* 482401V	48
1.625" (1-5/8") SHAFT											
-	-	-	S	800400	VRS1	2.440	2.444	.500	S	* 710063	#
-	-	-	V	800404	VRS1	2.441	2.445	.375	V	471829V	47
-	-	.313		* 99161	Redi-Sleeve	2.441	2.445	.500	S	* 410795	41
-	-	.563		99162	Redi-Sleeve	2.448	2.502	.250	F	* 6356	29
2.000	2.004	.250	S	473694	47	2.462	-	.250	S	200641%	200E
2.087	2.091	.275	S	* 413799	41	2.502	2.506	.250	S	* 472758	47
2.116	2.120	.312	S	472419	47	2.502	2.506	.250	N	* 472758N	47
2.116	2.120	.312	N	* 472419N	47	2.502	2.506	.250	V	472758V	47
2.116	2.127	.312	S	324939	32	2.502	2.506	.250	S	* 482758	48
2.125	2.129	.250	S	481181	48	2.502	2.506	.312	V	473010V	47
2.125	2.129	.250	H	* 481181H	48	2.502	2.506	.312	S	473010	47
2.125	2.129	.250	N	481181N	48	2.502	2.506	.312	A	473010A	47
2.250	2.254	.312	S	473230	47	2.502	2.506	.312	N	473010N	47
2.250	2.254	.312	S	* 483230	48	2.502	2.506	.312	S	* 483010	48
2.250	2.254	.312	V	483230V	48	2.502	2.506	.312	N	* 483010N	48
2.250	2.254	.500	S	* 410755	41	2.502	2.506	.375	N	* 451839N	45
2.250	2.254	.500	S	* 450755	45	2.502	2.506	.375	S	* 471839	47
2.250	2.254	.500	S	* 450755H	45	2.502	2.506	.375	H	* 471839H	47
2.250	2.254	.500	S	* 470755	47	2.502	2.506	.375	N	* 471839N	47
2.250	2.254	.500	S	* 480755	48	2.502	2.506	.375	S	* 481839	48
2.251	2.255	.375	S	1999	48	2.502	2.506	.500	S	* 410194	41
2.251	2.256	.375	S	* 471289	47	2.502	2.506	.500	V	410194V	41
2.251	2.256	.375	S	* 481289	48	2.502	2.506	.500	S	450194	45
2.282	2.286	.313	S	710204	48	2.502	2.506	.500	H	* 450194H	45
2.327	2.332	.406	S	204017	204	2.502	2.506	.500	S	* 450194N	45
2.327	2.332	.440	S	* 204075	204	2.502	2.506	.500	S	* 470194	47
2.328	2.332	.406	F	205017	205	2.502	2.506	.500	H	* 480194	48
2.328	2.332	.437	S	473117	47	2.502	2.506	.500	N	* 470194	47
2.328	2.332	.437	N	* 473117N	47	2.502	2.506	.500	S	* 480194	48
2.374	2.378	.312	V	473231V	47	2.562	2.565	.375	S	474216	47
2.374	2.378	.312	S	473231	47	2.562	2.566	.250	S	204500	4S
2.374	2.378	.312	A	473231A	47	2.623	2.627	.437	S	4763S	#
2.374	2.378	.312	S	* 483231	48	2.623	2.627	.250	S	* 42135S	4S
2.374	2.378	.375	S	* 471150	47	2.623	2.627	.312	S	473232	47
2.374	2.378	.375	S	* 481150	48	2.623	2.627	.312	S	* 483232	48
2.374	2.378	.375	H	* 481150H	48	2.623	2.627	.500	S	* 410069	41
2.374	2.378	.375	N	* 481150N	48	2.623	2.627	.500	S	450069	45
2.374	2.378	.437	S	453341	45	2.623	2.627	.500	N	* 450069N	45
2.374	2.378	.500	S	* 410358	41	2.623	2.627	.500	V	* 450069V	45
2.374	2.378	.500	H	* 410358H	41	2.623	2.627	.500	S	* 470069	47
2.374	2.378	.500	N	* 410358N	41	2.623	2.627	.500	H	* 470069H	47
2.374	2.378	.500	S	* 450358	45	2.623	2.627	.500	S	* 480069	48
2.374	2.378	.500	N	* 450358N	45	2.625	2.629	.250	S	40568S	4S
2.374	2.378	.500	S	470358	47	2.625	2.629	.500	T	50568➔	5S
2.374	2.378	.500	H	* 470358H	47	2.625	2.629	.500	T	50569	5S
2.374	2.378	.500	N	470358N	47	2.686	2.690	.375	S	481864	48
2.374	2.378	.500	S	* 450358	45	2.686	2.690	.375	H	* 481864H	48
2.374	2.378	.500	N	* 450358N	45	2.686	2.690	.500	S	* 450072	45
2.374	2.378	.500	S	470358	47	2.686	2.690	.500	S	* 480072	48
2.374	2.378	.500	H	* 470358H	47	2.722	2.727	.406	F	5727	205
2.374	2.378	.500	N	470358N	47	2.750	2.754	.180	N	* 8994N	48
						2.750	2.754	.250	L	40286	4L

For Illustration and Material Data See Technical Section

Designed For A Specific Application - Not Recommended For General Use ➔ Hydrodynamic Lip Design-CW ◀ Hydrodynamic Lip Design-CCW

◀➔ Hydrodynamic Lip Design-Bidirectional ** Canada Only % External Bore

* The U.S. customer service number is 877-4-TIMKEN. The Canadian customer service numbers are 800-565-4927 (English) and 800-565-0438 (French-Canadian). ★ Metric Seal

Size Section

Hsg. Bore	Seal O.D.	Seal Width	Lip Mat'l	Part No.	Type/ Illus.	Hsg. Bore	Seal O.D.	Seal Width	Lip Mat'l	Part No.	Type/ Illus.
1.625" (1-5/8") SHAFT (cont.)						1.652" SHAFT					
2.750	2.754	.250	S	*42754S	4S	-	-	-	S	800400	VRS1
2.750	2.754	.312	S	*474247	47	-	-	-	V	800404	VRS1
2.750	2.754	.312	S	*474274	47	-	-	.445		99166	Redi-Sleeve
2.750	2.754	.375	S	473443	47	-	-	.563		99169	Redi-Sleeve
2.750	2.754	.500	S	*410286	41	2.518	2.524	.394	S	3622	74
2.750	2.754	.500	N	*410286N	41	42,00mm (1.654") SHAFT					
2.750	2.754	.500	S	*450286	45	-	-	-	S	800400	VRS1
2.750	2.754	.500	S	*450286N	45	-	-	-	V	800404	VRS1
2.750	2.754	.500	S	470286	47	-	-	.445		99166	Redi-Sleeve
2.750	2.754	.500	S	*480286	48	-	-	.563		99169	Redi-Sleeve
2.758	2.762	.500	S	450275	45	49.80	50.00	6.00	S	*42X50X6★	32
2.758	2.762	.500	S	*480275	48	1.961	1.969	.236			
2.835	2.839	.468	S	*450819	45	49.80	50.00	7.00	S	*42X50X7★	32
2.875	2.879	.375	V	*473444	47	1.961	1.969	.276			
2.875	2.879	.375	V	473444V	47	51.75	52.00	4.00	S	*42X52X4★	32
2.875	2.879	.437	N	*411923N	41	2.037	2.047	.157			
2.875	2.879	.437	N	*411923N	47	51.75	52.00	6.00	S	*42X52X6★	32
2.875	2.879	.468	S	450078	45	2.037	2.047	.236			
2.875	2.879	.468	S	*480078	48	51.75	52.00	7.00	S	*42X52X7★	32
2.875	2.879	.500	S	*452170	45	2.037	2.047	.276			
2.875	2.879	.500	S	*482170	48	53.75	54.00	7.00	S	*42X54X7★	32
2.996	3.001	.500	S	450415	45	2.116	2.126	.276			
2.996	3.001	.500	S	*480415	48	54.75	55.00	9.00	S	*42X55X9★	32
3.000	3.004	.312	S	*414268	41	2.155	2.165	.354			
3.000	3.005	.500	S	*410539	41	54.89	55.00	8.00	S	1214★	47
3.000	3.005	.500	N	*410539N	41	2.161	2.165	.315			
3.000	3.005	.500	S	450539	45	54.89	55.00	8.00	S	1214N★	47
3.000	3.005	.500	S	*480539	48	2.161	2.165	.315			
3.062	3.066	.500	S	450335	45	55.00	55.12	8.00	H	3051★	33
3.125	3.130	.500	N	*411978N	41	2.165	2.170	.315			
3.251	3.256	.500	S	*410467	41	55.00	55.12	8.00	H	3051N★	33
3.251	3.256	.500	S	450467	45	2.165	2.170	.315			
3.543	3.548	.375	S	*477104	47	55.00	55.12	8.00	H	3051N★	33
3.937	3.942	.375	S	*476878	47	2.165	2.170	.315			
1.628" SHAFT						1.630" SHAFT					
-	-	-	S	800400	VRS1	-	-	-	S	800400	VRS1
-	-	-	V	800404	VRS1	-	-	-	V	800404	VRS1
-	-	.313		*99161	Redi-Sleeve	2.415	2.441	.492	N	4143	#
-	-	.563		99162	Redi-Sleeve	41,70mm (1.642") SHAFT					
2.122	2.126	.343	S	710202	#	54.75	55.00	7.00	S	*41.7X55X7★	32
2.278	2.282	.343	S	710241	68	2.155	2.165	.276			
1.630" SHAFT						54.75	55.00	10.00	S	*41.7X55X10★	32
-	-	-	S	800400	VRS1	2.155	2.165	.394			
-	-	-	V	800404	VRS1	1.645" SHAFT					
2.415	2.441	.492	N	4143	#	-	-	-	S	800400	VRS1
41,70mm (1.642") SHAFT						-	-	-	V	800404	VRS1
54.75	55.00	7.00	S	*41.7X55X7★	32	2.656	2.660	.406	N	8620N	47
2.155	2.165	.276				1.650" SHAFT					
54.75	55.00	10.00	S	*41.7X55X10★	32	-	-	-	S	800400	VRS1
2.155	2.165	.394				-	-	-	V	800404	VRS1
1.645" SHAFT						-	-	.445		99166	Redi-Sleeve
-	-	-	S	800400	VRS1	-	-	.563		99169	Redi-Sleeve
-	-	-	V	800404	VRS1	2.282	2.336	.768	H	3083	48
2.656	2.660	.406	N	8620N	47	2.410	2.414	.361	S	710102	#
1.650" SHAFT						2.205	2.213	.276			
-	-	-	S	800400	VRS1	56.00	56.21	7.00	S	224220★	49
-	-	-	V	800404	VRS1	2.205	2.213	.276			
-	-	.445		99166	Redi-Sleeve	56.00	56.21	7.00	H	710386★	32
-	-	.563		99169	Redi-Sleeve	2.205	2.213	.276			
2.282	2.336	.768	H	3083	48	56.00	56.28	7.00	S	494117★	49
2.410	2.414	.361	S	710102	#	2.205	2.216	.276			
						56.00	56.34	7.00	H	3774★	35
						2.205	2.218	.276			

SIZE SECTION

For Illustration and Material Data See Technical Section

Designed For A Specific Application - Not Recommended For General Use ➔ Hydrodynamic Lip Design-CW ◀ Hydrodynamic Lip Design-Bidirectional

* The U.S. customer service number is 877-4-TIMKEN. The Canadian customer service numbers are 800-565-4927 (English) and 800-565-0438 (French-Canadian). ★ Metric Seal

Hsg. Bore	Seal O.D.	Seal Width	Lip Mat'l	Part No.	Type/ Illus.	Hsg. Bore	Seal O.D.	Seal Width	Lip Mat'l	Part No.	Type/ Illus.
42,00mm (1.654") SHAFT (cont.)						42,00mm (1.654") SHAFT (cont.)					
56,30	56,44	8,00	S	710186★	#	64,75	65,00	7,50	S	*42X65X7.5★	32
2,216	2,222	.315				2,549	2,559	.295			
56,50	56,70	8,00	S	710244★	#	64,75	65,00	9,00	S	*42X65X9★	32
2,224	2,232	.315				2,549	2,559	.354			
57,75	58,00	8,00	S	*42X58X8★	32	64,75	65,00	12,00	S	*42X65X12★	32
2,273	2,283	.315				2,549	2,559	.472			
57,75	58,00	10,00	S	*42X58X10★	32	64,80	65,00	13,50	S	710179★➔	32
2,273	2,283	.394				2,551	2,555	.531			
58,00	58,10	7,00	S	42X58X7★	48	65,00	65,15	10,00	N	42X65X10★	47
2,283	2,287	.276				2,559	2,565	.394			
58,00	58,10	10,00	S	*2000★	33	65,00	65,15	10,00	N	224255★	47
2,283	2,287	.394				2,559	2,565	.394			
58,00	58,17	7,00	V	474241V★➔	47	65,00	65,20	10,00	V	*42X65X10V★	35
2,283	2,290	.276				2,559	2,567	.394			
58,00	58,18	7,00	S	224235★	48	65,05	65,15	9,50	N	*474135N★	47
2,283	2,291	.276				2,561	2,565	.374			
58,00	58,20	12,00	S	710517★	#	66,00	66,28	10,00	S	224266★	32
2,283	2,291	.472				2,598	2,609	.394			
58,00	58,28	8,00	N	224215★◄	32	67,00	67,13	7,16	V	4615V★➔	83
2,283	2,294	.315				2,638	2,643	.282			
59,00	59,10	7,00	N	710442★➔	48	67,00	67,20	10,00	N	710286★◄➔	32
2,323	2,327	.276				2,638	2,646	.394			
59,75	60,00	8,00	S	*42X60X8★	32	68,00	68,20	8,00	S	42X68X8★	32
2,352	2,362	.315				2,677	2,685	.315			
59,75	60,00	9,00	S	*42X60X9★	32	68,00	68,20	10,00	S	42X68X10★	32
2,352	2,362	.354				2,677	2,685	.394			
59,75	60,00	10,00	S	*42X60X10★	32	69,75	70,00	8,00	S	*42X70X8★	32
2,352	2,362	.394				2,746	2,756	.315			
59,75	60,00	12,00	S	*42X60X12★	32	69,75	70,00	12,00	S	*42X70X12★	32
2,352	2,362	.472				2,746	2,756	.472			
60,00	60,20	10,00	V	*42X60X10V★	35	70,00	70,20	10,00	S	42X70X10★	32
2,362	2,370	.394				2,756	2,764	.394			
60,00	60,22	7,00	S	42X60X7★	32	72,00	72,20	8,00	S	42X72X8★	32
2,362	2,371	.276				2.835	2.843	.315			
60,00	60,22	7,00	V	*320563★	32	72,00	72,20	10,00	V	*42X72X10V★	35
2,362	2,371	.276				2,835	2,843	.394			
60,00	60,22	7,00	S	*323715★	32	72,00	72,27	10,00	S	42X72X10★	32
2,362	2,371	.276				2,835	2,845	.394			
60,00	60,22	7,04	N	1953★	32	72,00	72,27	10,00	S	224270★	32
2,362	2,371	.277				2,835	2,845	.394			
60,00	60,42	7,00	V	2025★	32	72,00	72,28	10,00	S	710207★	40
2,362	2,379	.276				2,835	2,846	.394			
61,75	62,00	7,00	S	*42X62X7★	32	74,75	75,00	10,00	S	*42X75X10★	32
2,431	2,441	.276				2,943	2,953	.394			
61,75	62,00	10,00	S	*42X62X10★	32	74,75	75,00	12,00	S	*42X75X12★	32
2,431	2,441	.394				2,943	2,953	.472			
61,75	62,00	12,00	S	*42X62X12★	32	75,00	75,20	8,00	S	*42X75X8★	32
2,431	2,441	.472				2,953	2,961	.315			
62,00	62,10	12,00	S	710403★	#	75,75	76,00	12,00	S	*42X76X12★	32
2,441	2,445	.472				2,982	2,992	.472			
62,00	62,20	7,00	S	710301★	97	76,00	76,10	14,00	N	710245★➔	#
2,441	2,449	.276				2,992	2,996	.551			
62,00	62,20	8,00	V	*42X62X8V★	32	76,00	76,28	12,00	S	710195★	40
2,441	2,449	.315				2,992	3,003	.472			
62,00	62,20	8,00	N	710408★	32	77,72	78,00	10,00	S	*42X78X10★	32
2,441	2,449	.315				3,060	3,071	.394			
62,00	62,27	8,00	S	224250★	35	78,00	78,20	8,00	S	*42X78X8★	32
2,441	2,452	.315				3,071	3,079	.315			
62,00	62,27	8,00	S	42X62X8★	35	80,00	80,20	8,00	S	42X80X8★	32
2,441	2,452	.315				3,150	3,157	.315			
62,00	62,27	10,00	S	*1946★	35	80,00	80,20	10,00	S	42X80X10★	35
2,441	2,452	.394				3,150	3,157	.394			
62,00	62,27	10,00	S	224252★	32	90,00	90,09	9,00	N	710133★	#
2,441	2,452	.394				3,543	3,547	.354			
62,75	63,00	7,00	S	*42X63X7★	32	90,00	90,28	12,00	N	710246★	#
2,470	2,480	.276				3,543	3,554	.472			
63,00	63,20	9,00	N	710298★➔	40	1.656" (1-21/32") SHAFT					
2,480	2,488	.354				-	-	-	S	800400	VRS1
63,75	64,00	8,00	S	*42X64X8★	32	-	-	-	V	800404	VRS1
2,510	2,520	.315				2,502	2,506	.500	S	450260	45
64,00	64,18	6,00	S	224254★	34						
2,520	2,527	.236									

For Illustration and Material Data See Technical Section

Designed For A Specific Application - Not Recommended For General Use ➔ Hydrodynamic Lip Design-CW ◄ Hydrodynamic Lip Design-CCW

◄➔ Hydrodynamic Lip Design-Bidirectional

* The U.S. customer service number is 877-4-TIMKEN. The Canadian customer service numbers are 800-565-4927 (English) and 800-565-0438 (French-Canadian). ★ Metric Seal

Size Section

Hsg. Bore	Seal O.D.	Seal Width	Lip Mat'l	Part No.	Type/Illus.	Hsg. Bore	Seal O.D.	Seal Width	Lip Mat'l	Part No.	Type/Illus.
1.656" (1-21/32") SHAFT (cont.)						1.687" (1-11/16") SHAFT (cont.)					
2.623	2.627	.455	N	7457N	1S	2.502	2.506	.312	S	473234	47
2.623	2.627	.455	N	*9541N	#	2.502	2.506	.375	S	*450363	45
2.686	2.690	.500	S	450073	45	2.502	2.506	.375	H	*450363H	45
2.686	2.690	.500	S	*480073	48	2.502	2.506	.375	S	*480363	48
2.750	2.754	.500	S	*450284	45	2.502	2.506	.500	S	*410154	41
2.875	2.879	.468	S	*450079	45	2.502	2.506	.500	N	*410154N	41
2.937	2.941	.375	S	472660	47	2.502	2.506	.500	S	450154	45
1.670" SHAFT						2.502	2.506	.500	S	*470154	47
-	-	-	S	800400	VRS1	2.502	2.506	.500	H	*470154H	47
-	-	-	V	800404	VRS1	2.502	2.506	.500	S	*480154	48
2.686	2.690	.500	S	452086	45	2.502	2.506	.582	S	7038SA◄	41
1.673" SHAFT						2.560	2.579	.375	S	2146	#
-	-	-	S	800400	VRS1	2.560	2.579	.375	S	*5114	#
-	-	-	V	800404	VRS1	2.560	2.579	.470	S	712146◄↔	25
2.162	2.166	.285	S	4099&	287	2.561	2.565	.500	S	*410460	41
1.675" SHAFT						2.561	2.565	.500	S	470460	47
-	-	-	S	800400	VRS1	2.561	2.566	.500	S	*203041	203
-	-	-	V	800404	VRS1	2.605	2.609	.235	S	9178S	4S
2.000	2.175	.200	S	710385	#	2.623	2.627	.312	S	473235	47
1.680" SHAFT						2.623	2.627	.375	S	440265	44
2.500	2.506	1.535	S	2465	79	2.623	2.627	.437	N	8516N	47
1.685" SHAFT						2.623	2.627	.500	S	*410265	41
-	-	-	S	800400	VRS1	2.623	2.627	.500	N	*410265N	41
-	-	-	V	800404	VRS1	2.623	2.627	.500	S	*450265	45
-	-	.313		*99167	Redi-Sleeve	2.623	2.627	.500	S	*470265	47
-	-	.563		99168	Redi-Sleeve	2.623	2.627	.500	H	*470265H	47
2.500	2.506	.421	V	4981V	#	2.623	2.627	.500	S	*480265	48
2.500	2.506	1.250	N	7300S◄	79	2.624	2.628	.609	V	*8547	#
1.687" (1-11/16") SHAFT						2.624	2.628	.609	H	*8547H	#
-	-	-	S	800400	VRS1	2.650	2.725	.290	S	200886%	200E
-	-	-	V	800404	VRS1	2.684	2.706	.250	S	7381S	24
-	-	.313		*99167	Redi-Sleeve	2.686	2.690	.500	S	*410074	41
-	-	.563		99168	Redi-Sleeve	2.686	2.690	.500	S	*450074	45
2.500	2.506	.421	V	4981V	#	2.686	2.690	.500	S	470074	47
2.500	2.506	1.250	N	7300S◄	79	2.686	2.690	.500	S	*480074	48
1.687" (1-11/16") SHAFT						2.686	2.691	.312	S	474265	47
-	-	-	S	800400	VRS1	2.714	2.718	.468	S	*410421	41
-	-	-	V	800404	VRS1	2.716	2.720	.468	S	*410765	41
-	-	.313		*99167	Redi-Sleeve	2.716	2.720	.468	S	450765	45
-	-	.563		99168	Redi-Sleeve	2.750	2.754	.312	S	473236	47
2.279	2.283	.500	L	*6084	5L	2.750	2.754	.500	S	*410186	41
2.279	2.285	.250	S	353141	35	2.750	2.754	.500	S	*450186	45
2.327	2.332	.500	S	203008	203	2.750	2.754	.500	S	*470186	47
2.327	2.332	.500	S	204008	204	2.750	2.754	.500	S	*480186	48
2.328	2.332	.312	S	473317	47	2.835	2.839	.468	S	*410596	41
2.328	2.332	.312	N	*473317N	47	2.835	2.839	.468	S	*450596	45
2.328	2.332	.437	S	*471410	47	2.835	2.839	.468	S	470596	47
2.328	2.332	.437	S	*481410	48	2.835	2.839	.468	V	470596V	47
2.328	2.332	.531	S	7022S	276	2.835	2.839	.468	S	*480596	48
2.363	2.367	.437	S	*481345	48	2.875	2.879	.375	S	473446	47
2.363	2.367	.437	H	*481345H	48	2.875	2.879	.468	S	*410080	41
2.363	2.367	.437	N	*481345N	48	2.875	2.879	.468	S	*450080	45
2.374	2.378	.312	S	473233	47	2.875	2.879	.468	S	*470080	47
2.374	2.378	.375	S	*471812	47	2.875	2.879	.468	S	*480080	48
2.374	2.378	.375	S	*481812	48	2.875	2.879	.500	S	*452629	45
2.374	2.378	.500	S	*410562	41	2.875	2.879	.500	S	*482629	48
2.437	2.441	.312	S	473445	47	2.875	2.885	.622	S	*4020	#
2.437	2.441	.312	V	*473445V	47	2.875	2.885	.625	S	*712143	32
2.437	2.441	.468	S	*410479	41	3.000	3.005	.375	S	471981	47
2.437	2.441	.468	S	*450479	45	3.000	3.005	.500	S	*451226	45
2.437	2.441	.468	S	*470479	47	3.062	3.066	.500	S	*410086	41
2.437	2.441	.468	S	*480479	48	3.062	3.066	.500	S	*450086	45
2.437	2.441	.468	H	480479H	48	3.062	3.066	.500	S	470086	47
2.437	2.441	.468	V	*480479V	48	3.062	3.066	.500	S	*480086	48
2.500	2.506	1.535	N	*2854◄	79	3.125	3.130	.375	S	*481982	48
2.502	2.506	.250	S	40154S	4S	3.125	3.130	.500	S	*450687	45
						3.125	3.130	.500	S	470687	47
						3.125	3.130	.500	N	*470687N	47
						3.125	3.130	.500	S	*480687	48
						3.189	3.194	.437	S	450533	45
						.000	2.551	.595	S	710502	#

SIZE SECTION

For Illustration and Material Data See Technical Section

Designed For A Specific Application - Not Recommended For General Use ◄ Hydrodynamic Lip Design-CCW ◄↔ Hydrodynamic Lip Design-Bidirectional % External Bore & Flanged O.D. * The U.S. customer service number is 877-4-TIMKEN. The Canadian customer service numbers are 800-565-4927 (English) and 800-565-0438 (French-Canadian).

Hsg. Bore	Seal O.D.	Seal Width	Lip Mat'l	Part No.	Type/ Illus.	Hsg. Bore	Seal O.D.	Seal Width	Lip Mat'l	Part No.	Type/ Illus.
42,90mm (1.689") SHAFT						1.705" SHAFT (cont.)					
61,75	62,00	8,00	S	*42.9X62X8★	32	—	—	—	V	800455	VRS2
2.431	2.441	.315				3.034	3.039	.562	V	100357	86
43,00mm (1.693") SHAFT						1.709" SHAFT					
—	—	—	S	800400	VRS1	—	—	—	S	800450	VRS1
—	—	—	V	800404	VRS1	—	—	—	S	800451	VRS2
49,80	50,00	7,00	S	*43X50X7★	32	—	—	—	V	800454	VRS1
1.961	1.969	.276				—	—	—	V	800455	VRS2
54,00	54,10	6,50	S	224400★	25	2.205	2.213	.292	N	2955➔	71
2.126	2.130	.256				43,50mm (1.713") SHAFT					
54,00	54,10	7,50	S	334111★	33	61,75	62,00	6,50	S	*43.5X62X6.5★	32
2.126	2.130	.295				2.431	2.441	.256			
54,75	55,00	9,00	S	*43X55X9★	32	1.718" (1-23/32") SHAFT					
2.155	2.165	.354				—	—	—	S	800450	VRS1
55,00	55,20	6,00	V	2012★➔	32	—	—	—	S	800451	VRS2
2.165	2.173	.236				—	—	—	V	800454	VRS1
55,00	55,20	6,00	V	2012V★➔	32	—	—	—	V	800455	VRS2
2.165	2.173	.236				—	—	.563	99171	Redi-Sleeve	
55,00	55,20	8,00	H	710264★➔	32	2.228	2.185	.056	S	*9087	#
2.165	2.173	.236				2.437	2.441	.468	L	50327	5L
55,00	55,20	8,00	S	43X55X8★	32	2.561	2.565	.500	V	442251V	44
2.165	2.173	.315				2.561	2.565	.500	S	442251	44
55,00	55,25	8,00	S	1183★	34	2.561	2.565	.500	S	473336	47
2.165	2.175	.315				2.562	2.566	.500	F	*205051	205
57,00	57,20	8,00	S	*43X57X8★	32	2.623	2.627	.500	S	450068	45
2.244	2.252	.315				2.875	2.879	.468	L	50081	5L
57,75	58,00	8,00	S	*43X58X8★	32	2.996	3.000	.375	F	6101	29
2.273	2.283	.315				1.730" SHAFT					
58,47	58,62	7,50	S	710159★	#	—	—	—	S	800450	VRS1
2.302	2.308	.295				—	—	—	S	800451	VRS2
60,00	60,30	8,00	S	320583★➔	32	—	—	—	V	800454	VRS1
2.362	2.374	.315				—	—	—	V	800455	VRS2
61,75	62,00	8,00	S	*43X62X8★	32	2.336	2.340	.250	S	6840S	4S
2.431	2.441	.315				2.336	2.340	.280	F	7607	#
61,75	62,00	12,00	S	*43X62X12★	32	2.336	2.340	.470	N	8121S	25
2.431	2.441	.472				2.758	2.762	.882	S	*7729	39
62,00	62,10	9,50	S	224320★	47	2.834	2.838	.375	S	*483602	48
2.441	2.445	.374				2.834	2.838	.468	S	*483326	48
62,00	62,10	9,50	S	*474137★	47	2.875	2.879	.468	S	*473559	47
2.441	2.445	.374				44,00mm (1.732") SHAFT					
2.480	2.488	.394	S	710431	#	—	—	—	S	800450	VRS1
65,00	65,20	8,00	S	43X65X8★	32	—	—	—	S	800451	VRS2
2.559	2.567	.315				—	—	—	V	800454	VRS1
65,04	65,14	9,50	S	710387★	47	—	—	—	V	800455	VRS2
2.561	2.565	.374				53,75	54,00	7,00	S	*44X54X7★	32
65,75	66,00	10,00	S	*43X66X10★	32	2.116	2.126	.276			
2.588	2.598	.394				58,00	58,20	8,00	S	*44X58X8★	32
69,00	69,20	8,00	S	*43X69X8★	32	2.283	2.291	.315			
2.717	2.724	.315				59,00	59,23	6,80	N	224450★➔	35
70,00	70,20	9,00	S	710142★	#	2.323	2.332	.268			
2.756	2.764	.354				59,75	60,00	9,00	S	*44X60X9★	32
73,00	73,20	8,00	S	*43X73X8★	32	2.352	2.362	.354			
2.874	2.882	.315				60,00	60,20	7,00	S	44X60X7★	32
1.694" SHAFT						1.703" SHAFT					
.000	2.462	.433	V	710513	#	—	—	—	V	800455	VRS2
1.705" SHAFT						1.705" SHAFT					
—	—	—	S	800450	VRS1	—	—	—	S	800450	VRS1
—	—	—	S	800451	VRS2	—	—	—	S	800451	VRS2
—	—	—	V	800454	VRS1	—	—	—	V	800454	VRS1
—	—	—	V	800455	VRS2	—	—	—	V	800455	VRS2
3.030	3.039	.500	S	710067↔↔	69	53,75	54,00	7,00	S	*44X54X7★	32
3.084	3.090	.500	S	3747↔↔	69	2.116	2.126	.276			
1.705" SHAFT						1.705" SHAFT					
—	—	—	S	800450	VRS1	58,00	58,20	8,00	S	*44X58X8★	32
—	—	—	S	800451	VRS2	2.283	2.291	.315			
—	—	—	V	800454	VRS1	59,00	59,23	6,80	N	224450★➔	35
—	—	—	V	800455	VRS2	2.323	2.332	.268			
3.030	3.039	.500	S	710067↔↔	69	59,75	60,00	9,00	S	*44X60X9★	32
3.084	3.090	.500	S	3747↔↔	69	2.352	2.362	.354			
1.705" SHAFT						1.705" SHAFT					
—	—	—	S	800450	VRS1	60,00	60,20	7,00	S	44X60X7★	32
—	—	—	S	800451	VRS2	2.362	2.370	.276			
—	—	—	V	800454	VRS1	60,00	60,20	10,00	S	44X60X10★	35
—	—	—	V	800455	VRS2	2.362	2.370	.394			
3.030	3.039	.500	S	710067↔↔	69	60,00	60,28	10,00	H	224460★➔	32
3.084	3.090	.500	S	3747↔↔	69	2.362	2.373	.394			
1.705" SHAFT						1.705" SHAFT					
—	—	—	S	800450	VRS1	61,75	62,00	7,00	S	*44X62X7★	32
—	—	—	S	800451	VRS2	2.431	2.441	.276			
—	—	—	V	800454	VRS1	61,75	62,00	10,00	S	*44X62X10★	32
—	—	—	V	800455	VRS2	2.431	2.441	.394			

For Illustration and Material Data See Technical Section

Designed For A Specific Application - Not Recommended For General Use ➔ Hydrodynamic Lip Design-CW ↔ Hydrodynamic Lip Design-Bidirectional

* The U.S. customer service number is 877-4-TIMKEN. The Canadian customer service numbers are 800-565-4927 (English) and 800-565-0438 (French-Canadian). ★ Metric Seal

Size Section

Hsg. Bore	Seal O.D.	Seal Width	Lip Mat'l	Part No.	Type/ Illus.	Hsg. Bore	Seal O.D.	Seal Width	Lip Mat'l	Part No.	Type/ Illus.
44,00mm (1.732") SHAFT (cont.)						1.750" (1-3/4") SHAFT					
62,00	62,26	8,00	S	44X62X8★↔	32	-	-	-	S	800450	VRS1
2.441	2.451	.315	-	-	-	-	-	-	S	800451	VRS2
62,00	62,26	8,00	S	224462★↔	32	-	-	-	V	800454	VRS1
2.441	2.451	.315	-	-	-	-	-	-	V	800455	VRS2
62,00	62,28	10,00	N	224464★◀	32	-	-	.375		99172	Redi-Sleeve
2.441	2.452	.394	-	-	-	-	-	.531		* 99180	Redi-Sleeve
64,75	65,00	11,00	S	* 44X65X11★	32	-	-	.563		99174	Redi-Sleeve
2.549	2.559	.433	-	-	-	-	-	.750		99175	Redi-Sleeve
65,00	65,20	11,00	S	224465★➔	32	-	-	-	-	-	-
2.559	2.567	.433	-	-	-	2.250	-	.250	U	710024	#
65,00	65,28	10,00	S	44X65X10★	35	2.250	2.254	.250	S	42352S	4S
2.559	2.570	.394	-	-	-	2.250	2.254	.359	S	450400	45
66,00	66,10	6,00	S	710223★	#	2.250	2.254	.359	V	* 450400V	45
2.598	2.602	.236	-	-	-	2.250	2.258	.187	S	6703S	35
68,00	68,30	8,00	N	350609★◀	35	2.250	2.258	.250	S	340400	34
2.677	2.689	.315	-	-	-	2.250	2.258	.250	H	* 340400H	34
69,75	70,00	12,00	S	* 44X70X12★	32	2.328	2.332	.437	S	482126	48
2.746	2.756	.472	-	-	-	2.374	2.378	.250	S	* 41206S	4S
70,00	70,20	8,00	S	44X70X8★	32	2.374	2.378	.312	S	473237	47
2.756	2.764	.315	-	-	-	2.374	2.378	.312	V	473237V	47
72,00	72,11	10,00	S	44X72X10★	32	2.374	2.378	.312	S	* 483237	48
2.835	2.839	.394	-	-	-	2.374	2.378	.375	S	* 471288	47
72,00	72,11	10,00	S	224470★	35	2.374	2.378	.375	N	* 471288N	47
2.835	2.839	.394	-	-	-	2.374	2.378	.375	S	* 481288	48
74,00	74,20	11,00	S	710525★	#	2.374	2.378	.437	S	* 472246	47
2.913	2.921	.433	-	-	-	2.374	2.378	.437	S	* 482246	48
80,00	80,12	8,00	S	710115★↔	98	2.374	2.378	.484	S	710062	#
3.150	3.154	.315	-	-	-	2.374	2.378	.500	S	* 410929	41
90,00	90,10	9,00	N	710283★	#	2.374	2.378	.500	S	* 450929	45
3.543	3.547	.354	-	-	-	2.374	2.378	.500	S	* 470929	47
92,00	92,28	12,50	S	710208★	#	2.374	2.378	.500	S	* 480929	48
3.622	3.633	.492	-	-	-	2.374	2.379	.250	S	204503	204
1.734" SHAFT						2.374	2.381	.437	S	7486S	35
-	-	-	S	800450	VRS1	2.411	2.415	.380	N	* 451169N	45
-	-	-	S	800451	VRS2	2.411	2.415	.380	S	471169	47
-	-	-	V	800454	VRS1	2.411	2.415	.380	N	471169N	47
-	-	-	V	800455	VRS2	2.412	2.416	.468	S	* 481243	48
2.400	2.405	.230	S	8705S	277	2.436	2.441	.300	S	* 4771S↔	#
2.726	2.730	.500	L	5836	201	2.437	2.441	.250	S	43071S	4S
2.835	2.839	.312	S	* 484103	48	2.437	2.441	.312	S	471504	47
1.739" SHAFT						2.437	2.441	.312	V	471504V	47
-	-	-	S	800450	VRS1	2.437	2.441	.312	S	* 481504	48
-	-	-	S	800451	VRS2	2.437	2.441	.312	H	* 481504H	48
-	-	-	V	800454	VRS1	2.437	2.441	.375	S	* 471122	47
-	-	-	V	800455	VRS2	2.437	2.441	.375	S	* 481122	48
-	-	.375		99170	Redi-Sleeve	2.437	2.441	.375	U	710013	#
2.812	2.816	.594	S	* 9844&	#	2.437	2.441	.468	S	* 450351	45
2.812	3.270	.593	N	8460N&	74	2.437	2.441	.468	N	* 450351N	45
3.000	3.008	.500	S	6818	71	2.437	2.441	.468	S	470351	47
1.748" SHAFT						2.437	2.441	.468	H	* 480351H	48
-	-	-	S	800450	VRS1	2.437	2.441	.500	S	* 452418	45
-	-	-	S	800451	VRS2	2.440	2.445	.468	S	* 203007	203
-	-	-	V	800454	VRS1	2.440	2.445	.468	S	* 204007	204
-	-	-	V	800455	VRS2	2.441	2.445	.375	S	471831	47
-	-	.375		99172	Redi-Sleeve	2.441	2.445	.375	H	* 471831H	47
-	-	.531		* 99180	Redi-Sleeve	2.441	2.445	.375	N	* 471831N	47
-	-	.563		99174	Redi-Sleeve	2.441	2.445	.375	V	* 471831V	47
-	-	.750		99175	Redi-Sleeve	2.449	2.453	.312	S	473157	47
2.619	2.627	.330	N	4950	88	2.497	2.501	.500	S	* 483565	48
2.623	2.627	.330	N	3227➔	83	2.500	2.504	.375	S	* 483503	48
3.229	3.238	.335	H	3583➔	83	2.500	2.504	.484	S	710389	7S
						2.500	2.508	.375	T	354040	35
						2.502	2.506	.250	S	40494S	4S
						2.502	2.506	.250	S	* 50352	5S
						2.502	2.506	.312	N	* 452164N	45
						2.502	2.506	.312	S	472164	47
						2.502	2.506	.312	A	472164A	47
						2.502	2.506	.312	V	472164V	47
						2.502	2.506	.312	S	* 482164	48
						2.502	2.506	.312	N	482164N	48

For Illustration and Material Data See Technical Section

Designed For A Specific Application - Not Recommended For General Use ➔ Hydrodynamic Lip Design-CW ◀ Hydrodynamic Lip Design-CCW

↔ Hydrodynamic Lip Design-Bidirectional & Flanged O.D.

* The U.S. customer service number is 877-4-TIMKEN. The Canadian customer service numbers are 800-565-4927 (English) and 800-565-0438 (French-Canadian). ★ Metric Seal

Hsg. Bore	Seal O.D.	Seal Width	Lip Mat'l	Part No.	Type/ Illus.	Hsg. Bore	Seal O.D.	Seal Width	Lip Mat'l	Part No.	Type/ Illus.
1.750" (1-3/4") SHAFT (cont.)						1.750" (1-3/4") SHAFT (cont.)					
2.502	2.506	.375	S	450494	45	2.750	2.754	.500	S	*410183	41
2.502	2.506	.375	S	*470494	47	2.750	2.754	.500	N	410183N	41
2.502	2.506	.375	N	*470494N	47	2.750	2.754	.500	S	450183	45
2.502	2.506	.375	S	*480494	48	2.750	2.754	.500	N	*450183N	45
2.502	2.506	.375	N	*480494N	48	2.750	2.754	.500	V	*450183V	45
2.502	2.506	.406	H	451147H	45	2.750	2.754	.500	S	*470183	47
2.502	2.506	.406	N	*451147N	45	2.750	2.754	.500	N	*470183N	47
2.502	2.506	.500	S	*410352	41	2.750	2.754	.500	S	*480183	48
2.502	2.506	.500	S	450352	45	2.750	2.754	.500	H	*480183H	48
2.502	2.506	.500	H	*450352H	45	2.758	2.762	.375	S	*473447	47
2.502	2.506	.500	N	*450352N	45	2.758	2.762	.500	S	*410155	41
2.502	2.506	.500	S	*470352	47	2.758	2.762	.500	S	*450155	45
2.502	2.506	.500	H	*470352H	47	2.758	2.762	.500	S	*470155	47
2.502	2.506	.500	S	*480352	48	2.758	2.762	.500	S	*480155	48
2.502	2.506	.680	L	7834	#	2.783	2.787	.531	L	50289	5L
2.502	2.506	.750	S	*7731	2S	2.786	2.876	.285	S	200600%	200E
2.561	2.565	.250	S	204502	204	2.810	2.814	.315	S	712260	47
2.561	2.565	.500	V	470361V	47	2.875	2.879	.375	V	471141V	47
2.561	2.565	.500	S	*410361	41	2.875	2.879	.375	S	*471141	47
2.561	2.565	.500	S	450361	45	2.875	2.879	.468	S	*410291	41
2.561	2.565	.500	S	470361	47	2.875	2.879	.468	N	*410291N	41
2.561	2.565	.500	S	*480361	48	2.875	2.879	.468	S	450291	45
2.561	2.566	.312	S	*472193	47	2.875	2.879	.468	N	450291N	45
2.561	2.566	.500	S	*204015	204	2.875	2.879	.468	V	*450291V	45
2.562	2.566	.500	S	203015	203	2.875	2.879	.468	S	*470291	47
2.562	2.566	.500	F	205015	205	2.875	2.879	.468	S	*480291	48
2.565	2.570	.312	S	*473796	47	2.875	2.879	.500	S	*481067	48
2.566	2.574	.311	S	324941	32	2.875	2.880	.500	S	6949S	274
2.621	2.625	.937	V	710428	87	2.983	2.987	.438	S	5711	41
2.623	2.627	.250	S	*43092S	4S	2.996	3.001	.375	S	*473448	47
2.623	2.627	.290	S	200335	200	2.996	3.001	.437	S	*411983	41
2.623	2.627	.312	V	472185V	47	2.996	3.001	.500	S	*410359	41
2.623	2.627	.312	S	*472185	47	2.996	3.001	.500	S	*450359	45
2.623	2.627	.312	S	*482185	48	2.996	3.001	.500	S	*470359	47
2.623	2.627	.375	S	*481019	48	2.996	3.001	.500	S	*480359	48
2.623	2.627	.500	S	*50070	5S	3.000	3.005	.250	S	204501	204
2.623	2.627	.500	F	*290070	29	3.000	3.005	.375	S	*471984	47
2.623	2.627	.500	S	*410070	41	3.000	3.005	.375	N	*471984N	47
2.623	2.627	.500	N	*410070N	41	3.000	3.005	.375	S	*481984	48
2.623	2.627	.500	S	450070	45	3.000	3.005	.375	N	*481984N	48
2.623	2.627	.500	H	*450070H	45	3.000	3.005	.500	S	*410719	41
2.623	2.627	.500	N	*450070N	45	3.000	3.005	.500	S	*450719	45
2.623	2.627	.500	V	*450070V	45	3.000	3.005	.500	H	*450719H	45
2.623	2.627	.500	S	*470070	47	3.000	3.005	.500	S	*470719	47
2.623	2.627	.500	S	*480070	48	3.000	3.005	.500	H	*470719H	47
2.623	2.627	.500	N	*480070N	48	3.000	3.005	.500	S	*480719	48
2.624	2.628	.250	S	*443389	44	3.036	3.040	.500	S	*4302↔	47
2.630	2.930	.290	S	200912%	200E	3.061	3.066	.375	S	*473313	47
2.686	2.690	.375	S	*470334	47	3.061	3.066	.500	S	*410087	41
2.686	2.690	.437	S	*451879	45	3.061	3.066	.500	S	450087	45
2.686	2.690	.500	S	*410076	41	3.061	3.066	.500	S	*470087	47
2.686	2.690	.500	S	450076	45	3.061	3.066	.500	S	*480087	48
2.686	2.690	.500	N	*450076N	45	3.062	3.066	.485	S	710005	86
2.686	2.690	.500	V	*450076V	45	3.125	3.130	.500	S	*451350	45
2.686	2.690	.500	S	*470076	47	3.149	3.154	.291	S	*200303	200
2.686	2.690	.500	S	*480076	48	3.153	3.159	.312	S	482267	48
2.686	2.690	.500	N	*480076N	48	3.189	3.193	.400	N	*9158	47
2.715	2.721	.437	S	323119	32	3.189	3.194	.437	S	*410088	41
2.716	2.721	.359	S	204038	204	3.189	3.194	.437	N	*410088N	41
2.716	2.721	.406	S	204002	204	3.189	3.194	.437	S	*450088	45
2.717	2.721	.406	S	203002	203	3.189	3.194	.437	S	*470088	47
2.717	2.721	.468	S	*411030	41	3.189	3.194	.437	S	*480088	48
2.717	2.721	.468	S	*451030	45	3.371	3.376	.625	S	210945	21
2.718	2.722	.359	S	200354	200	3.543	3.548	.500	S	*455536	45
2.718	2.728	.294	S	200854%	200E	3.937	3.942	.312	S	476820	47
2.750	2.754	.250	S	*40183S	4S	1.751" SHAFT					
2.750	2.754	.312	V	472179V	47	2.533	2.608	.290	S	*200895%	200E
2.750	2.754	.312	S	*472179	47						
2.750	2.754	.312	A	472179A	47						
2.750	2.754	.312	S	*482179	48						
2.750	2.754	.484	L	5827	201						
2.750	2.754	.500	S	*50183	5S						

For Illustration and Material Data See Technical Section

Designed For A Specific Application - Not Recommended For General Use ↔ Hydrodynamic Lip Design-Bidirectional % External Bore

* The U.S. customer service number is 877-4-TIMKEN. The Canadian customer service numbers are 800-565-4927 (English) and 800-565-0438 (French-Canadian).

Size Section

Hsg. Bore	Seal O.D.	Seal Width	Lip Mat'l	Part No.	Type/ Illus.	Hsg. Bore	Seal O.D.	Seal Width	Lip Mat'l	Part No.	Type/ Illus.
44,50mm (1.752") SHAFT						45,00mm (1.772") SHAFT (cont.)					
61,75 2.431	62,00 2.441	10,00 .394	S	* 44.5X62X10★	32	58,00 2.283	58,28 2.294	7,00 .276	S	45X58X7★	35
1.763" SHAFT						45,00mm (1.772") SHAFT (cont.)					
-	-	-	S	800450	VRS1	58,00 2.283	58,30 2.295	7,00 .276	S	224510★	32
-	-	-	S	800451	VRS2	58,75 2.313	59,00 2.323	7,00 .276	S	* 45X59X7★	32
-	-	-	V	800454	VRS1	58,75 2.313	59,00 2.323	10,00 .394	S	* 45X59X10★	32
-	-	-	V	800455	VRS2	59,00 2.323	59,28 2.334	7,50 .295	S	710193★	32
-	-	.563		99176	Redi-Sleeve	59,75 2.352	60,00 2.362	9,00 .354	S	* 45X60X9★	32
2.126	2.134	.382	S	1906	31	59,75 2.352	60,00 2.362	12,00 .472	S	* 45X60X12★	32
2.409	2.416	.375	V	9845V	47	60,00 2.352	60,20 2.362	7,00 .472	S	45X60X7★	35
2.409	2.416	.375	V	9845	47	60,00 2.362	60,20 2.370	8,00 .276	S	45X60X8★	35
2.409	2.416	.380	V	* 3517V	47	60,00 2.362	60,20 2.370	8,00 .315	S	* 45X60X8★	35
2.409	2.416	.380	S	* 3517	47	60,00 2.362	60,20 2.370	8,00 .315	V	* 45X60X8V★	35
2.412	2.416	.375	S	6936S	45	60,00 2.362	60,25 2.370	10,00 .394	S	45X60X10★	32
2.412	2.416	.468	S	* 410375	41	60,00 2.362	60,25 2.372	10,80 .394	N	* 1184★	35
2.412	2.416	.468	S	* 480375	48	60,00 2.362	60,25 2.372	10,80 .425	N	2440★	69
1.765" SHAFT						1.771" SHAFT					
-	-	-	S	800450	VRS1	61,00 2.402	61,16 2.408	9,00 .354	V	* 484236V★	48
-	-	-	S	800451	VRS2	61,75 2.431	62,00 2.441	7,00 .276	S	* 45X62X7★	32
-	-	-	V	800454	VRS1	61,75 2.431	62,00 2.441	9,00 .354	S	* 45X62X9★	32
-	-	-	V	800455	VRS2	61,75 2.431	62,00 2.441	10,00 .394	S	* 45X62X10★	32
-	-	.563		99176	Redi-Sleeve	61,75 2.431	62,00 2.441	12,00 .472	S	* 45X62X12★	32
2.412	2.416	.468	S	450375	45	61,90 2.437	62,00 2.441	10,00 .394	S	* 323871★	32
1.771" SHAFT						45,00mm (1.772") SHAFT					
-	-	-	S	800450	VRS1	62,00 2.441	62,10 2.445	6,00 .236	S	494122★	49
-	-	-	S	800451	VRS2	62,00 2.441	62,10 2.445	9,00 .354	S	710321★	47
-	-	-	V	800454	VRS1	62,00 2.441	62,10 2.445	10,16 .400	S	* 1997★	#
-	-	-	V	800455	VRS2	62,00 2.441	62,15 2.447	8,00 .315	V	710078★	47
-	-	.551		99177	Redi-Sleeve	62,00 2.441	62,20 2.449	8,00 .315	V	* 45X62X8V★	35
2.500	2.504	.359	H	* 4075	#	62,00 2.441	62,30 2.453	8,00 .315	S	45X62X8★	35
2.500	2.504	.359	H	714075	#	62,00 2.441	62,30 2.453	8,00 .315	S	1012★	35
2.622	2.628	.500	T	354041	35	62,00 2.441	62,30 2.453	8,00 .315	S	1012N★	35
3.656	3.656	.282	S	1952	54	62,00 2.441	62,30 2.453	10,00 .394	S	* 1185★	32
45,00mm (1.772") SHAFT						45,00mm (1.772") SHAFT					
-	-	-	S	800450	VRS1	62,00 2.441	62,30 2.453	12,00 .472	S	* 2013★	32
-	-	-	S	800451	VRS2	62,00 2.441	62,30 2.453	12,00 .472	S	* 45X63X7★	32
-	-	-	V	800454	VRS1	62,75 2.470	63,00 2.480	7,00 .276	S	* 45X63X7★	32
-	-	-	V	800455	VRS2	63,25 2.490	63,50 2.500	10,00 .394	S	* 45X63.5X10★	32
-	-	.551		99177	Redi-Sleeve	63,75 2.510	64,00 2.520	7,00 .276	S	* 45X64X7★	32
53,75	54,00	4,50	S	* 45X54X4.5★	32	63,75 2.510	64,00 2.520	10,00 .394	S	* 45X64X10★	32
2.116	2.126	.177				64,00 2.520	64,11 2.524	11,86 .467	S	1951★&	87
54,75	55,00	5,00	S	* 45X55X5★	32	64,00 2.520	64,11 2.524	16,40 .646	S	* 3966★	#
2.155	2.165	.197									
54,75	55,00	7,00	S	* 45X55X7★	32						
2.155	2.165	.276									
54,75	55,00	8,00	S	* 45X55X8★	32						
2.155	2.165	.315									
54,75	55,00	10,00	S	* 45X55X10★	32						
2.155	2.165	.394									
55,75	56,00	6,00	S	* 45X56X6★	32						
2.195	2.205	.236									
55,75	56,00	8,00	S	* 45X56X8★	32						
2.195	2.205	.315									
56,75	57,00	5,50	S	* 45X57X5.5★	32						
2.234	2.244	.217									
56,75	57,00	9,00	S	* 45X57X9★	32						
2.234	2.244	.354									
57,75	58,00	8,00	S	* 45X58X8★	32						
2.273	2.283	.315									
57,75	58,00	10,00	S	* 45X58X10★	32						
2.273	2.283	.394									

For Illustration and Material Data See Technical Section

Designed For A Specific Application - Not Recommended For General Use ➔ Hydrodynamic Lip Design-CW & Flanged O.D.

* The U.S. customer service number is 877-4-TIMKEN. The Canadian customer service numbers are 800-565-4927 (English) and 800-565-0438 (French-Canadian). ★ Metric Seal

Hsg. Bore	Seal O.D.	Seal Width	Lip Mat'l	Part No.	Type/ Illus.	Hsg. Bore	Seal O.D.	Seal Width	Lip Mat'l	Part No.	Type/ Illus.
45,00mm (1.772") SHAFT (cont.)						45,00mm (1.772") SHAFT (cont.)					
64,00	64,27	12,00	S	239155★	#	72,20	72,34	7,50	S	*444118★	44
2,520	2,530	.472				2,843	2,848	.295			
64,00	64,26	13,00	S	1939★	#	74,25	74,50	12,00	S	*45X74.5X12★	32
2,520	2,530	.512				2,923	2,933	.472			
64,00	64,25	19,00	S	1938★	#	74,75	75,00	8,00	S	*45X75X8★	32
2,520	2,530	.748				2,943	2,953	.315			
64,75	65,00	7,00	S	*45X65X7★	32	74,75	75,00	10,00	S	*45X75X10★	32
2,549	2,559	.276				2,943	2,953	.394			
64,75	65,00	9,00	S	*45X65X9★	32	74,75	75,00	12,00	S	*45X75X12★	32
2,549	2,559	.354				2,943	2,953	.472			
64,75	65,00	10,00	S	*45X65X10★	32	75,00	75,10	12,00	N	1979★➔	47
2,549	2,559	.394				2,953	2,957	.472			
64,75	65,00	12,00	S	*45X65X12★	32	75,00	75,20	7,00	S	45X75X7★	32
2,549	2,559	.472				2,953	2,961	.276			
65,00	65,10	5,00	S	1992★	47	75,00	75,20	10,00	V	*45X75X10V★	32
2,559	2,563	.197				2,953	2,961	.394			
65,00	65,10	5,00	S	*3985★	#	77,72	78,00	12,00	S	*45X78X12★	32
2,559	2,563	.197				3,060	3,071	.472			
65,00	65,20	8,00	V	*45X65X8V★	35	78,00	78,10	11,00	N	710248★➔	66
2,559	2,567	.315				3,071	3,075	.433			
65,00	65,28	8,00	S	45X65X8★	32	79,72	80,00	12,00	S	*45X80X12★	32
2,559	2,570	.315				3,139	3,150	.472			
65,00	65,28	8,00	S	224550★	35	80,00	80,28	10,00	S	45X80X10★	32
2,559	2,570	.315				3,150	3,161	.394			
65,75	66,00	10,00	S	*45X66X10★	32	81,72	82,00	12,00	S	*45X82X12★	32
2,588	2,598	.394				3,217	3,228	.472			
66,00	66,24	7,50	S	710160★	#	82,00	82,20	8,00	S	*45X82X8★	32
2,598	2,608	.295				3,228	3,236	.315			
67,00	67,20	8,00	S	710289★➔	32	84,72	85,00	12,00	S	*45X85X12★	32
2,638	2,646	.315				3,335	3,346	.472			
67,75	68,00	8,00	S	*45X68X8★	32	85,00	85,20	10,00	S	45X85X10★	35
2,667	2,677	.315				3,346	3,354	.394			
67,75	68,00	9,00	S	*45X68X9★	32	85,00	85,25	13,00	S	45X85X13★	45
2,667	2,677	.354				3,346	3,356	.512			
67,75	68,00	10,00	S	*45X68X10★	32	89,72	90,00	10,00	S	*45X90X10★	32
2,667	2,677	.394				3,532	3,543	.394			
67,75	68,00	12,00	S	*45X68X12★	32	98,00	98,10	10,50	N	710364★	#
2,667	2,677	.472				3,858	3,862	.413			
68,00	68,20	10,00	V	*45X68X10V★	35	99,72	100,00	10,00	S	*45X100X10★	32
2,677	2,685	.394				3,926	3,937	.394			
68,00	68,20	12,00	S	710345★➔	32	1.775" SHAFT					
2,677	2,685	.472				-	-	-	S	800450	VRS1
68,00	68,28	7,00	S	45X68X7★	32	-	-	-	S	800451	VRS2
2,677	2,688	.276				-	-	-	V	800454	VRS1
68,00	68,28	7,00	S	224560★	32	-	-	-	V	800455	VRS2
2,677	2,688	.276				-	-	.551	99177	Redi-Sleeve	
68,00	68,28	7,00	V	320564★	32	-	-				
2,677	2,688	.276				-	1.970	.365	S	710095	#
68,05	68,30	7,00	S	*45X68.3X7★	32	1.781" (1-25/32") SHAFT					
2,679	2,689	.276				-	-	-	S	800450	VRS1
69,75	70,00	12,00	S	*45X70X12★	32	-	-	-	S	800451	VRS2
2,746	2,756	.472				-	-	-	V	800454	VRS1
70,00	70,18	10,00	S	45X70X10★	32	-	-	-	V	800455	VRS2
2,756	2,763	.394				-	-	.675	99179	Redi-Sleeve	
71,75	72,00	8,00	S	*45X72X8★	32	2,251	2,259	.375	S	321460	32
2,825	2,835	.315				2,500	2,505	.312	T	39925➔	FW-H
72,00	72,20	8,00	V	*45X72X8V★	32	2,502	2,506	.312	S	452742	45
2,835	2,843	.315				2,623	2,627	.500	L	50266	5L
72,00	72,20	10,00	S	45X72X10★	35	2,686	2,690	.500	S	450269	45
2,835	2,843	.394				2,686	2,690	.500	S	*480269	48
72,00	72,20	12,00	N	710270★	32	2,750	2,754	.500	S	450285	45
2,835	2,843	.472				2,758	2,762	.500	S	450280	45
72,00	72,25	10,00	S	45X72X95★	32	3,189	3,194	.437	S	450089	45
2,835	2,844	.394				3,189	3,194	.437	S	*480089	48
72,00	72,28	7,00	S	45X72X7★	35	1.787" SHAFT					
2,835	2,846	.276				-	-	-	S	800450	VRS1
72,00	72,28	12,00	S	45X72X12★	35						
2,835	2,846	.472									
72,00	72,28	12,00	S	224570★	35						
2,835	2,846	.472									
72,20	72,34	7,50	S	1943★	44						
2,843	2,848	.295									

For Illustration and Material Data See Technical Section

Designed For A Specific Application - Not Recommended For General Use ➔ Hydrodynamic Lip Design-CW

* The U.S. customer service number is 877-4-TIMKEN. The Canadian customer service numbers are 800-565-4927 (English) and 800-565-0438 (French-Canadian). ★ Metric Seal

Size Section

Hsg. Bore	Seal O.D.	Seal Width	Lip Mat'l	Part No.	Type/ Illus.	Hsg. Bore	Seal O.D.	Seal Width	Lip Mat'l	Part No.	Type/ Illus.
1.787" SHAFT (cont.)						46,00mm (1.811") SHAFT (cont.)					
-	-	-	S	800451	VRS2	68,00	68,20	8,00	S	*46X68X8★	32
-	-	-	V	800454	VRS1	2.677	2.685	.315			
-	-	-	V	800455	VRS2	68,50	68,70	7,50	S	710161★	#
3.228	3.238	.335	N	4918	83	2.697	2.705	.295			
3.229	3.238	.335	N	4072➔	83	69,40	69,60	10,00	S	710128★	#
3.229	3.238	.335	N	4072N➔	83	2.732	2.740	.394			
1.790" SHAFT						69,40	69,60	11,00	S	710126★	#
.000	2.488	.275	V	710521	32	2.732	2.740	.433			
1.796" SHAFT						70,00	70,10	8,00	S	710238★➔	32
-	-	-	S	800450	VRS1	2.756	2.760	.315			
-	-	-	S	800451	VRS2	70,00	70,20	8,00	S	46X70X8★	32
-	-	-	V	800454	VRS1	2.756	2.764	.315			
-	-	-	V	800455	VRS2	61,00	61,20	8,00	S	710260★◀	32
2.524	2.800	.599	S	8314	#	2.756	2.764	.315			
2.725	2.730	.500	L	6781	201	72,00	72,20	8,00	S	*46X72X8★	32
1.803" SHAFT						2.835	2.843	.315			
-	-	-	S	800450	VRS1	73,00	73,20	8,00	S	*46X73X8★	32
-	-	-	S	800451	VRS2	2.874	2.882	.315			
-	-	-	V	800454	VRS1	94,50	94,70	8,00	S	710377★	#
-	-	-	V	800455	VRS2	3.720	3.728	.315			
2.965	2.969	.250	F	5070	29	1.812" (1-13/16") SHAFT					
1.809" SHAFT						-	-	-	S	800450	VRS1
-	-	-	S	800450	VRS1	-	-	-	S	800451	VRS2
-	-	-	S	800451	VRS2	-	-	-	V	800454	VRS1
-	-	-	V	800454	VRS1	-	-	-	V	800455	VRS2
-	-	-	V	800455	VRS2	-	-	-	V	800455	VRS2
-	-	.563	99181	Redi-Sleeve		-	-	.563	99181	Redi-Sleeve	
2.361	2.365	.380	S	4249&	287	2.250	2.258	.312	S	*6402S	35
46,00mm (1.811") SHAFT						2.327	2.332	.437	S	444116	44
-	-	-	S	800450	VRS1	2.437	2.441	.468	S	451817	45
-	-	-	S	800451	VRS2	2.437	2.441	.468	S	471817	47
-	-	-	V	800454	VRS1	2.561	2.565	.437	S	*452872	45
-	-	-	V	800455	VRS2	2.561	2.566	.437	S	*203071	203
-	-	.563	99181	Redi-Sleeve		2.561	2.566	.500	S	203006	203
2.361	2.365	.380	S	4249&	287	2.561	2.566	.500	F	*205006	205
46,00mm (1.811") SHAFT						2.561	2.566	.500	F	*205006	205
-	-	-	S	800450	VRS1	2.562	2.566	.312	V	5133	48
-	-	-	S	800451	VRS2	2.562	2.567	.315	T	39930➔	FW-H
-	-	-	V	800454	VRS1	2.563	2.567	.375	T	39835➔	W
-	-	-	V	800455	VRS2	2.623	2.627	.375	S	472070	47
-	-	.563	99181	Redi-Sleeve		2.623	2.627	.455	S	8181NA➔	74
53,75	54,00	9,00	S	*46X54X9★	32	2.623	2.627	.455	S	*9540➔	#
2.116	2.126	.354				2.623	2.627	.500	S	*450267	45
57,75	58,00	7,00	S	*46X58X7★	32	2.623	2.627	.500	N	*450267N	45
2.273	2.283	.276				2.623	2.627	.500	S	*470267	47
58,00	58,28	7,00	N	224650★➔	32	2.623	2.627	.500	V	*470267V	47
2.283	2.294	.276				2.623	2.627	.500	S	*480267	48
58,85	59,10	12,00	S	*46X59.1X12★	32	2.623	2.627	.500	N	*480267N	48
2.317	2.327	.472				2.623	2.627	.615	S	3618➔	86
59,00	59,20	8,00	S	*46X59X8★	32	2.624	2.629	.500	S	*482695N	48
2.323	2.331	.315				2.686	2.690	.375	S	471866	47
59,75	60,00	7,00	S	*46X60X7★	32	2.686	2.690	.375	N	*471866N	47
2.352	2.362	.276				2.686	2.690	.437	S	*451508	45
59,75	60,00	10,00	S	*46X60X10★	32	2.686	2.690	.500	S	*450270	45
2.352	2.362	.394				2.686	2.690	.500	S	*480270	48
60,00	60,20	8,00	S	*46X60X8★	32	2.718	2.722	.270	S	7186S	200
2.362	2.370	.315				2.718	2.727	.400	S	*200169	200
60,00	60,28	7,00	H	224660★➔	32	2.750	2.754	.375	S	473449	47
2.362	2.373	.276				2.750	2.754	.500	S	450118	45
62,00	62,10	8,00	S	224662★	35	2.750	2.754	.500	S	*480118	48
2.441	2.445	.315				2.758	2.762	.500	S	*450281	45
62,00	62,20	8,00	S	*46X62X8★	32	2.758	2.762	.500	S	480281	48
2.441	2.449	.315				2.777	2.783	.416	S	*9190N&	47
62,00	62,20	20,50	S	710394★	#	2.777	2.783	.575	V	3604➔	86
2.441	2.449	.807				2.874	2.878	.290	S	*200334	200
63,00	63,40	7,70	N	224663★➔	35	2.875	2.879	.375	S	473450	47
2.480	2.496	.303				2.875	2.879	.468	S	450116	45
65,00	65,20	7,00	S	46X65X7★	32	2.875	2.879	.468	S	*480116	48
2.559	2.567	.276				2.996	3.001	.500	S	*450193	45
						2.996	3.001	.500	S	*480193	48
						3.000	3.005	.455	S	*3700➔	86

For Illustration and Material Data See Technical Section

Designed For A Specific Application - Not Recommended For General Use ➔ Hydrodynamic Lip Design-CW ◀ Hydrodynamic Lip Design-CCW & Flanged O.D.

* The U.S. customer service number is 877-4-TIMKEN. The Canadian customer service numbers are 800-565-4927 (English) and 800-565-0438 (French-Canadian). ★ Metric Seal

Hsg. Bore	Seal O.D.	Seal Width	Lip Mat'l	Part No.	Type/ Illus.	Hsg. Bore	Seal O.D.	Seal Width	Lip Mat'l	Part No.	Type/ Illus.
1.812" (1-13/16") SHAFT (cont.)						1.843" (1-27/32") SHAFT (cont.)					
3.000	3.005	.455	S	7044NA➔	86	2.672	2.676	.187	N	*8250	#
3.091	3.096	.485	V	4278&	86	2.748	2.751	.425	V	714675◄➔	#
3.125	3.130	.375	S	481992	48	2.750	2.754	.375	S	473452	47
3.125	3.130	.500	S	*451993	45	2.750	2.754	.500	S	*450331	45
3.189	3.194	.437	S	*410090	41	2.750	2.754	.500	N	*450331N	45
3.189	3.194	.437	S	450090	45	2.750	2.754	.500	N	470331N	47
3.189	3.194	.437	S	*470090	47	2.750	2.754	.500	N	*480331N	48
3.189	3.194	.437	S	*480090	48	2.875	2.879	.375	S	473453	47
4.123	4.128	.746	L	6930	21	2.875	2.879	.468	S	*450293	45
1.813" SHAFT						47,00mm (1.850") SHAFT					
2.408	-	.300	S	710409%	#	-	-	-	S	800450	VRS1
1.815" SHAFT						-	-	-	S	800451	VRS2
-	-	-	S	800450	VRS1	-	-	-	V	800454	VRS1
-	-	-	S	800451	VRS2	-	-	-	V	800455	VRS2
-	-	-	V	800454	VRS1	0,00	61,98	10,29	S	710501★	#
-	-	-	V	800455	VRS2	.000	2,440	.405			
-	-	.563		99181	Redi-Sleeve	56,75	57,00	7,00	S	*47X57X7★	32
2.562	2.566	.562	S	2207	290	2.234	2.244	.276			
1.821" SHAFT						59,75	60,00	7,00	S	*47X60X7★	32
-	-	-	S	800450	VRS1	2.352	2.362	.276			
-	-	-	S	800451	VRS2	60,00	60,20	8,00	S	*47X60X8★	32
-	-	-	V	800454	VRS1	2.362	2.370	.315			
-	-	-	V	800455	VRS2	61,75	62,00	6,00	S	*47X62X6★	32
2.623	2.627	.250	S	44053	4S	2.431	2.441	.236			
1.825" SHAFT						62,00	62,10	9,00	S	710320★	48
-	-	-	S	800450	VRS1	2.441	2.445	.354			
-	-	-	S	800451	VRS2	62,00	62,20	8,00	S	47X62X8★	32
-	-	-	V	800454	VRS1	2.441	2.449	.315			
-	-	-	V	800455	VRS2	64,00	64,08	7,00	S	710191★	25
2.750	2.754	.468	S	7600S	47	2.520	2.523	.276			
1.830" SHAFT						64,00	64,28	14,00	S	1937★	#
-	-	-	S	800450	VRS1	2.520	2.531	.551			
-	-	-	S	800451	VRS2	64,75	65,00	10,00	S	*47X65X10★	32
-	-	-	V	800454	VRS1	2.549	2.559	.394			
-	-	-	V	800455	VRS2	65,00	65,20	8,00	S	47X65X8★	32
2.570	2.574	.250	L	6960	4L	2.559	2.567	.315			
2.570	2.574	.250	S	*8473S	29	66,00	66,10	11,00	S	710215★	66
46,50mm (1.831") SHAFT						2.598	2.602	.433			
-	-	-	S	800450	VRS1	68,00	68,27	10,00	S	47X68X10★	32
-	-	-	S	800451	VRS2	2.677	2.688	.394			
-	-	-	V	800454	VRS1	68,00	68,27	10,00	S	1187★	32
-	-	-	V	800455	VRS2	2.677	2.688	.394			
90,00	90,20	12,00	N	710397★	#	69,00	69,14	10,10	N	3606★◄➔	7S
3.543	3.551	.472				2.717	2.722	.398			
1.843" (1-27/32") SHAFT						70,00	70,20	10,00	S	47X70X10★	32
-	-	-	S	800450	VRS1	2.756	2.764	.394			
-	-	-	S	800451	VRS2	72,00	72,23	8,00	S	224772★	48
-	-	-	V	800454	VRS1	2.835	2.844	.315			
-	-	-	V	800455	VRS2	72,20	72,40	6,00	S	710337★	34
2.400	2.404	.235	F	291295	29	2.843	2.850	.236			
2.502	2.506	.375	S	471841	47	80,00	80,20	12,70	S	710150★	#
2.502	2.506	.500	S	*450783	45	3.150	3.157	.500			
2.502	2.506	.500	S	*470783	47	84,00	84,20	11,00	S	710143★	#
2.623	2.627	.250	S	*40268S	4S	3.307	3.315	.433			
2.623	2.627	.375	S	473451	47	1.869" SHAFT					
2.623	2.627	.500	S	*450268	45	-	-	-	S	800450	VRS1
2.623	2.627	.500	N	*450268N	45	-	-	-	S	800451	VRS2
2.623	2.627	.500	S	*480268	48	-	-	-	V	800454	VRS1
2.623	2.627	.500	N	*480268N	48	-	-	-	V	800455	VRS2
1.873" SHAFT						-	-	.889		99186	Redi-Sleeve
-	-	-	S	800450	VRS1	2.518	2.522	.375	S	332062➔	33
For Illustration and Material Data See Technical Section # Designed For A Specific Application - Not Recommended For General Use ➔ Hydrodynamic Lip Design-CW ◄➔ Hydrodynamic Lip Design-Bidirectional % External Bore & Flanged O.D. * The U.S. customer service number is 877-4-TIMKEN. The Canadian customer service numbers are 800-565-4927 (English) and 800-565-0438 (French-Canadian). ★ Metric Seal											

Size Section

Hsg. Bore	Seal O.D.	Seal Width	Lip Mat'l	Part No.	Type/ Illus.	Hsg. Bore	Seal O.D.	Seal Width	Lip Mat'l	Part No.	Type/ Illus.
1.873" SHAFT (cont.)						1.875" (1-7/8") SHAFT (cont.)					
-	-	-	S	800451	VRS2	2.623	2.627	.500	S	*470071	47
-	-	-	V	800454	VRS1	2.623	2.627	.500	H	*470071H	47
-	-	-	V	800455	VRS2	2.623	2.627	.500	S	*480071	48
-	-	.175		99190	Redi-Sleeve	2.623	2.627	.500	V	*480071V	48
-	-	.295		*99188	Redi-Sleeve	2.624	2.628	.375	H	331227H➔	33
-	-	.375		*99184	Redi-Sleeve	2.625	2.629	.500	S	*452774	45
-	-	.563		99187	Redi-Sleeve	2.625	2.640	.433	T	712102➔	FW-H
2.684	2.684	.544	S	8521S%	200E	2.628	2.633	.347	F	6985	29
2.716	2.806	.281	S	200752%	200E	2.677	2.681	.375	N	710211➔	74
2.878	3.250	.875	S	*8632S	#	68.00	68.30	14.00	N	712516★➔	#
1.874" SHAFT						1.875" (1-7/8") SHAFT					
2.559	2.569	.335	V	712692	#	2.677	2.689	.551			
2.676	2.682	.410	N	4577	#	2.686	2.690	.375	S	471868	47
3.159	3.163	.500	V	100712V	#	2.686	2.690	.500	S	*410272	41
3.159	3.163	.500	V	100715V	#	2.686	2.690	.500	S	*450272	45
1.875" (1-7/8") SHAFT						1.875" (1-7/8") SHAFT					
-	-	-	S	800450	VRS1	2.686	2.690	.500	S	*470272	47
-	-	-	S	800451	VRS2	2.686	2.690	.500	S	*480272	48
-	-	-	V	800454	VRS1	2.687	2.762	.280	S	*200958%	200E
-	-	-	V	800455	VRS2	2.716	2.725	.394	S	710388➔	32
-	-	.175		99190	Redi-Sleeve	2.718	2.722	.468	F	*6110	29
-	-	.295		*99188	Redi-Sleeve	2.720	2.725	.235	F	*7107A	29
-	-	.375		*99184	Redi-Sleeve	2.750	2.754	.250	S	42421S	4S
-	-	.563		99187	Redi-Sleeve	2.750	2.754	.312	S	*412572	41
2.315	2.321	.203	S	8362	33	2.750	2.754	.312	S	472572	47
2.397	2.403	.250	S	*353120	35	2.750	2.754	.312	S	*482572	48
2.400	2.405	.240	S	*7679	44	2.750	2.754	.500	S	3946◄➔	86
2.400	2.405	.240	S	7934S	204	2.750	2.754	.500	S	*410117	41
2.441	2.445	.325	S	1949	48	2.750	2.754	.500	H	*410117H	41
2.441	2.445	.325	S	*483801	48	2.750	2.754	.500	N	*410117N	41
2.470	2.475	.437	S	*472747	47	2.750	2.754	.500	S	450117	45
2.500	2.504	.437	N	*451162N	45	2.750	2.754	.500	S	*470117	47
2.502	2.506	.312	S	*473454	47	2.750	2.754	.500	H	*470117H	47
2.502	2.506	.328	S	350823	35	2.750	2.754	.500	N	*470117N	47
2.502	2.506	.375	S	*452041	45	2.750	2.754	.500	S	*480117	48
2.502	2.506	.375	S	472041	47	2.758	2.762	.425	V	*3028V➔	25
2.502	2.506	.375	N	*472041N	47	2.758	2.762	.425	N	6712NA➔	74
2.502	2.506	.375	S	*482041	48	2.758	2.762	.437	S	*450654	45
2.502	2.506	.375	N	482041N	48	2.758	2.762	.437	N	*450654N	45
2.502	2.506	.406	S	*451447	45	2.758	2.762	.500	S	6460S	41
2.502	2.506	.500	S	*450823	45	2.758	2.762	.500	S	*410283	41
2.502	2.506	.500	S	*480823	48	2.758	2.762	.500	S	*450283	45
2.502	2.511	.250	S	340823	34	2.758	2.762	.500	H	*450283H	45
2.560	2.565	.406	N	2942➔	47	2.758	2.762	.500	S	*470283	47
2.560	2.565	.406	N	*7782N	48	2.758	2.762	.500	H	*470283H	47
2.560	2.565	.468	S	*484247	48	2.758	2.762	.500	N	*470283N	47
2.561	2.565	.500	S	441853	44	2.758	2.762	.500	S	*480283	48
2.561	2.565	.500	S	*451853	45	2.758	2.762	.500	H	*480283H	48
2.561	2.565	.500	S	*471853	47	2.782	2.786	.500	S	*414045	41
2.561	2.565	.528	N	2692➔	76	2.803	2.808	.433	S	*4310	285
2.561	2.571	.312	S	*350936	35	2.812	2.816	.770	N	8515N&	74
2.561	2.571	.312	N	*350936N	35	2.812	3.000	.500	L	*7215	5L
2.622	2.628	.380	H	*9927H➔	33	2.813	2.817	.500	S	5126&	74
2.623	2.627	.250	S	40071S	4S	2.835	2.839	.375	S	*473455	47
2.623	2.627	.312	S	*472439	47	2.835	2.839	.468	S	*411463	41
2.623	2.627	.312	A	472439A	47	2.835	2.839	.468	S	*451463	45
2.623	2.627	.312	V	472439V	47	2.835	2.839	.468	S	*471463	47
2.623	2.627	.312	S	*482439	48	2.835	2.839	.468	S	*481463	48
2.623	2.627	.500	S	*410071	41	2.873	2.877	.394	S	*2826	#
2.623	2.627	.500	N	*410071N	41	2.875	2.879	.312	V	473238V	47
2.623	2.627	.500	S	*450071	45	2.875	2.879	.312	S	*473238	47
2.623	2.627	.500	H	*450071H	45	2.875	2.879	.312	S	*483238	48
2.623	2.627	.500	N	*450071N	45	2.875	2.879	.312	V	483238V	48
2.623	2.627	.500	S	*450071V	45	2.875	2.879	.437	S	*411936	41
2.623	2.627	.500	H	*450071H	45	2.875	2.879	.437	N	*411936N	41
2.623	2.627	.500	N	*450071N	45	2.875	2.879	.437	S	*451936	45
2.623	2.627	.500	H	*450071H	45	2.875	2.879	.437	H	*451936H	45
2.623	2.627	.500	N	*450071N	45	2.875	2.879	.437	V	*451936V	45
2.623	2.627	.500	V	*450071V	45	2.875	2.879	.437	S	*471936	47
						2.875	2.879	.437	S	*481936	48
						2.875	2.879	.468	H	*410082	41
						2.875	2.879	.468	H	*410082H	41
						2.875	2.879	.468	S	450082	45

For Illustration and Material Data See Technical Section

Designed For A Specific Application - Not Recommended For General Use ➔ Hydrodynamic Lip Design-CW ◄➔ Hydrodynamic Lip Design-Bidirectional % External Bore

& Flanged O.D. * The U.S. customer service number is 877-4-TIMKEN. The Canadian customer service numbers are 800-565-4927 (English) and 800-565-0438 (French-Canadian).

★ Metric Seal

Hsg. Bore	Seal O.D.	Seal Width	Lip Mat'l	Part No.	Type/ Illus.	Hsg. Bore	Seal O.D.	Seal Width	Lip Mat'l	Part No.	Type/ Illus.
1.875" (1-7/8") SHAFT (cont.)						1.875" (1-7/8") SHAFT (cont.)					
2.875	2.879	.468	N	*450082N	45	3.371	3.376	.468	S	*470524	47
2.875	2.879	.468	S	*470082	47	3.371	3.376	.468	S	*480524	48
2.875	2.879	.468	S	*480082	48	3.375	4.812	.312	S	7105S	#
2.875	2.879	.500	S	*3329	#	3.500	3.505	.500	S	*477609	47
2.875	2.879	.500	S	*450779	45	4.010	4.014	1.000	L	6127	31
2.875	2.886	.625	U	710019	#	4.331	4.336	.500	S	477105	47
2.877	2.865	.470	S	9912¶	25	1.880" SHAFT					
2.877	2.865	.490	S	*2689¶	56	-	-	-	S	800450	VRS1
2.877	2.865	.490	S	2689S	25	-	-	-	S	800451	VRS2
2.901	2.907	.315	S	*4051	#	-	-	-	V	800454	VRS1
2.965	2.969	.250	F	6064	29	-	-	-	V	800455	VRS2
2.995	3.000	.375	F	*5970	29	2.398	2.414	.250	S	*6910S	35
2.995	3.000	.437	S	203034	203	2.562	2.566	.250	S	9049	25
2.996	3.000	.375	S	*473456	47	2.562	2.566	.250	S	9049N	25
2.996	3.001	.375	L	6547	201	3.169	3.176	.480	V	100086	#
2.996	3.001	.500	S	*410084	41	1.886" SHAFT					
2.996	3.001	.500	S	450084	45	-	-	-	S	800450	VRS1
2.996	3.001	.500	S	*470084	47	-	-	-	S	800451	VRS2
2.996	3.001	.500	S	*480084	48	-	-	-	V	800454	VRS1
2.998	3.002	.375	F	*290944	29	-	-	-	V	800455	VRS2
3.000	3.005	.312	S	473239	47	2.699	2.704	.350	N	4333N◀	79
3.000	3.005	.312	S	*483239	48	2.750	2.765	1.375	N	4503N◀	79
3.000	3.005	.375	S	*451139	45	2.756	2.756	.823	N	714503	#
3.000	3.005	.375	S	*471139	47	48,00mm (1.890") SHAFT					
3.000	3.005	.375	S	*481139	48	-	-	-	S	800450	VRS1
3.000	3.005	.375	H	*481139H	48	-	-	-	S	800451	VRS2
3.000	3.005	.500	S	*410298	41	-	-	-	V	800454	VRS1
3.000	3.005	.500	N	*410298N	41	-	-	-	V	800455	VRS2
3.000	3.005	.500	S	450298	45	57,75	58,00	4,00	S	*48X58X4★	32
3.000	3.005	.500	S	*470298	47	2.273	2.283	.157			
3.000	3.005	.500	S	*480298	48	58,00	58,20	8,00	S	*48X58X8★	32
3.000	3.005	.625	H	8165	#	2.283	2.291	.315			
3.061	3.066	.375	S	473457	47	58,75	59,00	6,00	S	*48X59X6★	32
3.061	3.066	.500	S	*410304	41	2.313	2.323	.236			
3.061	3.066	.500	S	*450304	45	59,75	60,00	8,00	S	*48X60X8★	32
3.061	3.066	.500	H	*450304H	45	2.352	2.362	.315			
3.061	3.066	.500	S	*470304	47	59,75	60,00	10,00	S	*48X60X10★	32
3.061	3.066	.500	S	*480304	48	2.352	2.362	.394			
3.105	3.110	.500	L	7216&	47	60,00	60,20	9,00	S	710356★➔	32
3.125	3.130	.312	S	473240	47	2.362	2.370	.354			
3.125	3.130	.312	S	*483240	48	61,75	62,00	7,00	S	*48X62X7★	32
3.125	3.130	.375	S	*472005	47	2.431	2.441	.276			
3.125	3.130	.375	S	*482005	48	61,75	62,00	9,00	S	*48X62X9★	32
3.125	3.130	.500	S	*410720	41	2.431	2.441	.354			
3.125	3.130	.500	S	*450720	45	61,75	62,00	10,00	S	*48X62X10★	32
3.125	3.130	.500	S	*470720	47	2.431	2.441	.394			
3.125	3.130	.500	S	*480720	48	61,75	62,00	12,00	S	*48X62X12★	32
3.149	3.154	.359	S	*204047	204	2.431	2.441	.472			
3.150	3.146	.930	S	3186¶	59	62,00	62,10	8,00	S	48X62X8★	35
3.150	3.146	.930	S	3195¶	59	2.441	2.445	.315			
3.150	3.155	.250	S	715100	#	62,00	62,10	8,00	S	224820★	32
3.160	3.165	.530	V	710452	72	2.441	2.445	.315			
3.160	3.165	.530	S	*4431	72	62,00	62,10	8,00	S	1956★	#
3.160	3.165	.530	N	*4431N	72	2.441	2.445	.945			
3.160	3.165	.530	V	*4431V	72	62,00	62,20	6,00	S	710322★	34
3.160	3.165	.562	N	6808N	45	2.441	2.449	.236			
3.160	3.165	.695	N	9316	72	62,00	62,20	8,00	V	*48X62X8V★	35
3.160	3.165	.720	V	719316	72	2.441	2.449	.315			
3.161	3.165	.695	V	100675	72	2.441	2.449	.315			
3.189	3.194	.375	S	473458	47	62,00	62,20	8,00	S	*320832★	32
3.189	3.194	.437	S	*410092	41	2.441	2.449	.315			
3.189	3.194	.437	S	*450092	45	62,00	62,25	6,00	S	1188★	34
3.189	3.194	.437	S	*470092	47	2.441	2.451	.236			
3.189	3.194	.437	S	*480092	48	1.875" (1-7/8") SHAFT (cont.)					
3.251	3.256	.437	S	*412022	41	3.371	3.376	.468	S	*450082N	45
3.251	3.256	.500	S	*411078	41	2.875	2.879	.468	S	*470082	47
3.251	3.256	.500	S	451078	45	2.875	2.879	.468	S	*480082	48
3.251	3.256	.500	S	*471078	47	2.875	2.879	.500	S	*3329	#
3.251	3.256	.500	S	*481078	48	2.875	2.879	.500	S	*450779	45
3.350	3.355	.468	S	*452023	45	2.875	2.886	.625	U	710019	#
3.371	3.376	.468	S	410524	41	2.877	2.865	.470	S	9912¶	25
3.371	3.376	.468	S	*450524	45	2.877	2.865	.490	S	*2689¶	56

For Illustration and Material Data See Technical Section

‡ Designed For A Specific Application - Not Recommended For General Use ➔ Hydrodynamic Lip Design-CW ◀ Hydrodynamic Lip Design-CCW & Flanged O.D.

¶ Expandable O.D.

* The U.S. customer service number is 877-4-TIMKEN. The Canadian customer service numbers are 800-565-4927 (English) and 800-565-0438 (French-Canadian). ★ Metric Seal

Size Section

Hsg. Bore	Seal O.D.	Seal Width	Lip Mat'l	Part No.	Type/ Illus.	Hsg. Bore	Seal O.D.	Seal Width	Lip Mat'l	Part No.	Type/ Illus.
48,00mm (1.890") SHAFT (cont.)						48,00mm (1.890") SHAFT (cont.)					
62,00	62,28	8,00	N	224810★	32	72,00	72,20	8,00	V	* 48X72X8V★	35
2,441	2,452	.315				2,835	2,843	.315			
63,00	63,09	9,00	S	48X63X9★	47	72,00	72,28	10,00	S	224850★	32
2,480	2,484	.354				2,835	2,846	.394			
63,00	63,09	9,00	S	1969★	47	72,00	72,31	7,00	S	48X72X7★	32
2,480	2,484	.354				2,835	2,847	.276			
64,00	64,20	14,00	S	710167★	#	72,00	72,31	7,00	S	1208★	32
2,520	2,528	.551				2,835	2,847	.276			
64,75	65,00	7,00	S	* 48X65X7★	32	72,00	72,35	8,50	S	224872★	32
2,549	2,559	.276				2,835	2,848	.335			
64,75	65,00	9,00	S	* 48X65X9★	32	72,25	72,50	10,00	S	* 48X72.5X10★	32
2,549	2,559	.354				2,844	2,854	.394			
64,75	65,00	12,00	S	* 48X65X12★	32	73,00	73,10	7,00	S	224870★	47
2,549	2,559	.472				2,874	2,878	.276			
65,00	65,10	7,00	S	* 493759★	49	73,75	74,00	10,00	S	* 48X74X10★	32
2,559	2,563	.276				2,903	2,913	.394			
65,00	65,15	24,50	N	4528N★◀	66	73,75	74,00	12,00	S	* 48X74X12★	32
2,559	2,565	.965				2,903	2,913	.472			
65,00	65,20	10,00	V	* 48X65X10V★	32	74,00	74,23	10,00	S	224874★	32
2,559	2,567	.394				2,913	2,922	.394			
65,00	65,20	10,00	S	224865★	32	74,00	74,30	10,00	N	224815★	40
2,559	2,567	.394				2,913	2,925	.394			
65,00	65,30	8,00	S	1973★	25	74,75	75,00	12,00	S	* 48X75X12★	32
2,559	2,571	.315				2,943	2,953	.472			
65,00	65,30	10,00	S	48X65X10★	32	75,00	75,20	10,00	S	48X75X10★	32
2,559	2,571	.394				2,953	2,961	.394			
65,00	65,30	10,00	V	716484★	32	78,00	78,20	8,00	S	* 48X78X8★	32
2,559	2,571	.394				3,071	3,079	.315			
65,07	65,20	12,70	S	* 2820★	#	79,72	80,00	10,00	S	* 48X80X10★	32
2,562	2,567	.500				3,139	3,150	.394			
66,75	67,00	11,00	S	* 48X67X11★	32	80,00	80,20	8,00	S	48X80X8★	32
2,628	2,638	.433				3,150	3,157	.315			
67,75	68,00	8,00	S	* 48X68X8★	32	81,72	82,00	10,00	S	* 48X82X10★	32
2,667	2,677	.315				3,217	3,228	.394			
68,00	68,27	10,00	N	48X68X10★	32	82,00	82,20	8,00	S	* 48X82X8★	32
2,677	2,688	.394				3,228	3,236	.315			
68,00	68,27	10,00	N	224835★	32	84,72	85,00	10,00	S	* 48X85X10★	32
2,677	2,688	.394				3,335	3,346	.394			
68,00	68,30	11,00	S	224840★➡	32	85,00	85,20	8,00	S	* 48X85X8★	32
2,677	2,689	.433				3,346	3,354	.315			
68,58	68,68	14,78	S	9449★◀	74	88,00	88,20	8,00	S	* 48X88X8★	32
2,700	2,704	.582				3,465	3,472	.315			
69,75	70,00	7,00	S	* 48X70X7★	32	89,72	90,00	13,00	S	* 48X90X13★	32
2,746	2,756	.276				3,532	3,543	.512			
69,75	70,00	10,00	S	* 48X70X10★	32	90,00	90,20	10,00	S	48X90X10★	35
2,746	2,756	.394				3,543	3,551	.394			
69,75	70,00	12,00	S	* 48X70X12★	32	108,50	108,70	13,00	S	710296★	#
2,746	2,756	.472				4,272	4,280	.512			
70,00	70,20	8,00	S	48X70X8★	35	1.893" SHAFT					
2,756	2,764	.315				-	-	-	S	800500	VRS1
70,00	70,20	9,00	S	710255★	#	-	-	-	V	800504	VRS1
2,756	2,764	.354				-	-	-	V	800505	VRS2
70,00	70,20	12,00	S	710313★➡	32	-	-	.551	99189	Redi-Sleeve	
2,756	2,764	.472				2,434	2,438	.250	S	8704S	33
70,00	70,25	9,00	H	712010★➡	32	1.906" (1-29/32") SHAFT					
2,756	2,766	.354				-	-	-	S	800500	VRS1
70,00	70,28	9,00	S	48X70X9★	35	-	-	-	V	800504	VRS1
2,756	2,767	.354				-	-	-	V	800505	VRS2
70,00	70,28	10,00	S	1994★	32	3,189	3,194	.406	N	* 8084N	45
2,756	2,767	.394				1.910" SHAFT					
70,25	70,50	10,00	S	* 48X70.5X10★	32	-	-	-	S	800500	VRS1
2,766	2,776	.394				-	-	-	V	800504	VRS1
71,37	0,00	17,78	N	710453★	#	-	-	-	V	800505	VRS2
2,810	.000	.700				-	-	.375	* 99192	Redi-Sleeve	
71,75	72,00	8,00	S	* 48X72X8★	32	2,760	2,760	.070	S	* 8669	#
2,825	2,835	.315									
71,75	72,00	9,00	S	* 48X72X9★	32						
2,825	2,835	.354									
71,75	72,00	10,00	S	* 48X72X10★	32						
2,825	2,835	.394									
71,75	72,00	12,00	S	* 48X72X12★	32						
2,825	2,835	.472									

For Illustration and Material Data See Technical Section

Designed For A Specific Application - Not Recommended For General Use ➡ Hydrodynamic Lip Design-CW ◀ Hydrodynamic Lip Design-CCW

* The U.S. customer service number is 877-4-TIMKEN. The Canadian customer service numbers are 800-565-4927 (English) and 800-565-0438 (French-Canadian). ★ Metric Seal

Hsg. Bore	Seal O.D.	Seal Width	Lip Mat'l	Part No.	Type/ Illus.	Hsg. Bore	Seal O.D.	Seal Width	Lip Mat'l	Part No.	Type/ Illus.
1.915" SHAFT						1.937" (1-15/16") SHAFT (cont.)					
-	-	-	S	800500	VRS1	2.750	2.754	.312	S	473241	47
-	-	-	V	800504	VRS1	2.750	2.754	.312	S	*483241	48
-	-	-	V	800505	VRS2	2.750	2.754	.313	V	710162	48
-	-	.375		*99192	Redi-Sleeve	2.750	2.754	.500	S	*411937	41
2.532	2.548	.250	S	*7020	#	2.750	2.754	.500	S	*451937	45
2.533	2.537	.250	S	*6971S	33	2.750	2.754	.500	H	*451937H	45
49,00mm (1.929") SHAFT						2.758	2.762	.500	S	450279	45
-	-	-	S	800500	VRS1	2.824	2.828	.500	N	*451117N	45
-	-	-	V	800504	VRS1	2.875	2.879	.290	S	*200396	200
-	-	-	V	800505	VRS2	2.875	2.879	.312	S	472144	47
61,75	62,00	6,00	S	*49X62X6★	32	2.875	2.879	.312	S	*482144	48
2.431	2.441	.236				2.875	2.879	.437	S	*411940	41
62,00	62,15	8,00	S	4904★	66	2.875	2.879	.437	S	*471940	47
2.441	2.447	.315				2.875	2.879	.468	S	*410295	41
64,00	64,28	12,50	S	1936★	#	2.875	2.879	.468	N	*410295N	41
2.520	2.531	.492				2.875	2.879	.468	S	*450295	45
65,10	65,20	8,00	T	39877★↔	WW	2.875	2.879	.468	S	*480295	48
2.563	2.567	.315				2.875	2.879	.687	S	210295	21
70,00	70,10	12,50	S	710305★&	#	2.996	3.001	.437	S	*452006	45
2.756	2.760	.492				2.996	3.001	.500	S	*450145	45
72,20	72,50	8,00	S	710148★	97	2.996	3.001	.500	S	*480145	48
2.843	2.854	.315				3.000	3.005	.312	S	472394	47
75,75	76,00	15,00	S	*49X76X15★	32	3.000	3.005	.312	S	*482394	48
2.982	2.992	.591				3.000	3.005	.500	S	*410300	41
79,00	79,10	17,50	N	224979★↔	47	3.000	3.005	.500	S	*450300	45
3.110	3.114	.689				3.000	3.005	.500	S	*470300	47
100,00	100,20	8,00	S	710374★	#	3.000	3.005	.500	S	*480300	48
3.937	3.945	.315				3.061	3.066	.500	S	*450306	45
1.937" (1-15/16") SHAFT						3.061	3.066	.500	S	*480306	48
-	-	-	S	800500	VRS1	3.125	3.130	.375	S	471391	47
-	-	-	V	800504	VRS1	3.125	3.130	.500	S	*410309	41
-	-	-	V	800505	VRS2	3.125	3.130	.500	S	*450309	45
-	-	.563		99193	Redi-Sleeve	3.125	3.130	.500	S	*470309	47
2.412	2.416	.468	S	470409	47	3.125	3.130	.500	S	*480309	48
2.437	2.441	.250	S	474269	47	3.125	3.130	.500	S	*450309	45
2.500	2.510	.374	V	*320510V	32	3.125	3.130	.500	S	*480309	48
2.502	2.506	.375	V	*451195	45	3.155	3.160	.250	S	*40526S	4S
2.502	2.506	.375	V	*451195V	45	3.189	3.194	.250	S	40094S	4S
2.502	2.506	.375	S	471195	47	3.189	3.194	.375	S	473462	47
2.502	2.506	.375	S	481195	48	3.189	3.194	.437	S	*410094	41
2.502	2.506	.375	N	*481195N	48	3.189	3.194	.437	N	450094N	45
2.561	2.565	.500	S	*411854	41	3.189	3.194	.437	S	470094	47
2.561	2.565	.500	S	471854	47	3.189	3.194	.437	S	*480094	48
2.562	2.566	.317	S	710058	48	3.350	3.355	.468	S	*410965	41
2.562	2.566	.437	S	*204079	204	3.350	3.355	.468	S	450965	45
2.562	2.567	.317	S	*480550	48	3.381	3.376	.667	S	*8398	39
2.578	2.830	.292	S	9150S	25	3.500	3.505	.250	S	45653S	4S
2.623	2.627	.312	S	472319	47	3.543	3.548	.375	S	417474	41
2.623	2.627	.312	V	*472319V	47	3.543	3.548	.500	S	*415130	41
2.623	2.627	.312	S	*482319	48	3.543	3.548	.500	S	*455130	45
2.623	2.627	.500	S	*450455	45	3.622	3.627	.375	F	6074	29
2.623	2.627	.500	S	*470455	47	3.623	3.628	.468	S	476509	47
2.623	2.627	.500	S	*480455	48	3.751	3.756	.500	S	456057	45
2.625	2.629	.375	S	*481166	48	3.930	3.935	.320	S	710081	#
2.686	2.690	.304	N	3173	48	1.938" SHAFT					
2.686	2.690	.312	H	483459H	48	2.680	.000	.500	N	710928	#
2.686	2.690	.312	S	473459	47	1.940" SHAFT					
2.686	2.690	.375	S	471869	47	-	-	-	S	800500	VRS1
2.686	2.690	.375	N	*471869N	47	-	-	-	V	800504	VRS1
2.686	2.690	.500	H	6988H	33	-	-	-	V	800505	VRS2
2.686	2.690	.500	S	*331882	33	-	-	.563		99193	Redi-Sleeve
2.686	2.690	.500	S	*410138	41	2.500	2.505	.250	S	*3447&	286
2.686	2.690	.500	S	*450138	45	2.500	2.505	.250	S	6815&	286
2.686	2.690	.500	V	470138V↔	47	2.622	2.626	.580	S	5121	281
2.686	2.690	.500	S	*480138	48	2.762	2.766	.500	S	2043	47
2.686	2.690	.500	H	*480138H	48	2.812	2.816	.400	S	*3513	#
2.713	2.717	.468	S	*450655	45	2.813	2.817	.428	S	8622&	#

For Illustration and Material Data See Technical Section

Designed For A Specific Application - Not Recommended For General Use → Hydrodynamic Lip Design-CW ↔ Hydrodynamic Lip Design-Bidirectional & Flanged O.D.

* The U.S. customer service number is 877-4-TIMKEN. The Canadian customer service numbers are 800-565-4927 (English) and 800-565-0438 (French-Canadian). ★ Metric Seal

Size Section

Hsg. Bore	Seal O.D.	Seal Width	Lip Mat'l	Part No.	Type/ Illus.	Hsg. Bore	Seal O.D.	Seal Width	Lip Mat'l	Part No.	Type/ Illus.
1.940" SHAFT (cont.)						50,00mm (1.969") SHAFT (cont.)					
2.900	2.910	.400	S	710281	74	63,75	64,00	10,00	S	* 50X64X10★	32
2.909	2.914	.520	S	3896➔	76	2.510	2.520	.394			
1.945" SHAFT						64,00	64,10	6,50	S	1971★	47
-	-	-	S	800500	VRS1	2.520	2.524	.256			
-	-	-	V	800504	VRS1	64,10	64,19	6,50	S	710098★	71
-	-	-	V	800505	VRS2	2.524	2.527	.256			
2.891	2.895	.290	S	200371	200	64,75	65,00	9,00	S	* 50X65X9★	32
1.956" SHAFT						2.549	2.559	.354			
-	-	-	S	800500	VRS1	64,75	65,00	10,00	S	* 50X65X10★	32
-	-	-	V	800504	VRS1	2.549	2.559	.394			
-	-	-	V	800505	VRS2	65,00	65,10	14,00	S	3743★	66
2.963	2.968	.250	S	* 41081S	4S	2.559	2.563	.551			
1.961" SHAFT						65,00	65,28	8,00	S	225010★	47
-	-	-	S	800500	VRS1	2.559	2.565	.315			
-	-	-	V	800504	VRS1	2.559	2.565	.315			
-	-	-	V	800505	VRS2	65,00	65,15	8,00	S	* 470856★	47
3.543	3.548	.375	S	* 477410	47	2.559	2.565	.315			
1.968" SHAFT						65,00	65,20	8,00	V	* 50X65X8V★	32
-	-	-	S	800500	VRS1	2.559	2.567	.315			
-	-	-	V	800504	VRS1	65,00	65,20	8,00	N	710354★➔	32
-	-	-	V	800505	VRS2	2.559	2.567	.315			
-	-	.551		99196	Redi-Sleeve	65,00	65,28	8,00	S	50X65X8★	32
2.623	2.627	.312	S	473814	47	2.559	2.570	.315			
2.686	2.690	.370	H	7751H	33	65,00	65,33	8,50	S	1209★	35
2.686	2.690	.500	S	450472	45	2.559	2.572	.335			
2.742	2.746	.500	S	450911	45	65,30	65,53	8,00	S	710226★	32
2.742	2.746	.500	N	450911N	45	2.571	2.580	.315			
2.875	2.879	.468	S	450474	45	65,30	65,60	8,00	S	710529★	#
2.960	2.964	.250	S	40370S	4S	2.571	2.583	.315			
2.996	3.001	.500	L	50528	5L	65,75	66,00	6,00	S	* 50X66X6★	32
3.350	3.355	.468	S	450111	45	2.588	2.598	.236			
3.371	3.376	.468	S	* 450497	45	66,00	66,22	8,00	V	* 473810V★	47
4.003	4.008	.437	V	* 477673V	47	2.598	2.607	.315			
50,00mm (1.969") SHAFT						66,50	0,00	15,50	S	229522★	40
-	-	-	S	800500	VRS1	2.618	.000	.610			
-	-	-	V	800504	VRS1	66,50	66,62	9,52	S	474134★	47
-	-	-	V	800505	VRS2	2.618	2.623	.375			
-	-	.551		99196	Redi-Sleeve	2.618	2.623	.375			
59,75	60,00	8,00	S	* 50X60X8★	32	66,75	67,00	9,00	S	* 50X67X9★	32
2.352	2.362	.315				2.628	2.638	.354			
59,75	60,00	10,00	S	* 50X60X10★	32	67,00	67,20	9,00	S	* 50X67X10★	32
2.352	2.362	.394				2.628	2.646	.354			
60,00	60,25	6,00	S	710192★	32	67,00	67,27	11,00	S	1974★	97
2.362	2.372	.236				2.638	2.648	.433			
61,75	62,00	9,00	S	* 50X62X9★	32	67,75	68,00	7,00	S	* 50X68X7★	32
2.431	2.441	.354				2.667	2.677	.276			
61,75	62,00	10,00	S	* 50X62X10★	32	67,75	68,00	9,00	S	* 50X68X9★	32
2.431	2.441	.394				2.667	2.677	.354			
62,00	62,08	6,00	S	* 331356★	33	67,75	68,00	10,00	S	* 50X68X10★	32
2.441	2.444	.236				2.667	2.677	.394			
62,00	62,10	9,00	S	225008★	47	68,00	68,15	8,00	V	* 483738V★	48
2.441	2.445	.354				2.677	2.683	.315			
62,00	62,28	7,00	S	50X62X7★	32	68,00	68,20	8,00	V	* 50X68X8V★	32
2.441	2.452	.276				2.677	2.685	.315			
62,00	62,28	7,00	S	225005★	32	68,00	68,20	9,00	S	710420★➔	32
2.441	2.452	.276				2.677	2.685	.315			
62,75	63,00	8,00	S	* 50X63X8★	32	68,00	68,27	7,00	S	710194★	32
2.470	2.480	.315				2.677	2.688	.276			
63,75	64,00	8,00	S	* 50X64X8★	32	68,00	68,28	8,00	S	50X68X8★	35
2.510	2.520	.315				2.677	2.688	.315			
63,75	64,00	9,00	S	* 50X64X9★	32	68,00	68,28	8,00	S	* 1948★	35
2.510	2.520	.354				2.677	2.688	.315			
						68,00	68,28	8,00	S	* 353676★	35
						2.677	2.688	.315			
						68,00	68,28	9,00	V	225020★➔	32
						2.677	2.688	.354			
						69,75	70,00	10,00	S	* 50X70X10★	32
						2.746	2.756	.394			
						69,75	70,00	12,00	S	* 50X70X12★	32
						2.746	2.756	.472			
						69,75	70,00	13,00	S	* 50X70X13★	32
						2.746	2.756	.512			

For Illustration and Material Data See Technical Section

Designed For A Specific Application - Not Recommended For General Use ➔ Hydrodynamic Lip Design-CW

* The U.S. customer service number is 877-4-TIMKEN. The Canadian customer service numbers are 800-565-4927 (English) and 800-565-0438 (French-Canadian). ★ Metric Seal

Hsg. Bore	Seal O.D.	Seal Width	Lip Mat'l	Part No.	Type/ Illus.	Hsg. Bore	Seal O.D.	Seal Width	Lip Mat'l	Part No.	Type/ Illus.
50,00mm (1.969") SHAFT (cont.)						50,00mm (1.969") SHAFT (cont.)					
70,00	70,10	7,00	S	413818★	41	80,00	80,28	8,00	S	50X80X8★	32
2.756	2.760	.276				3.150	3.161	.315			
70,00	70,10	9,00	S	*470824★	47	80,00	80,30	16,00	N	710112★↔	#
2.756	2.760	.354				3.150	3.161	.630			
70,00	70,10	11,00	H	*481371H★	48	80,72	81,00	12,00	S	*50X81X12★	32
2.756	2.760	.433				3.178	3.189	.472			
70,00	70,20	8,00	S	50X70X8★	32	81,72	82,00	12,00	S	*50X82X12★	32
2.756	2.764	.315				3.217	3.228	.472			
70,00	70,20	9,00	S	50X70X9★	32	82,00	82,18	11,50	S	225082★	#
2.756	2.764	.354				3.228	3.235	.453			
70,00	70,20	10,00	V	*50X70X10V★	35	84,72	85,00	10,00	S	*50X85X10★	32
2.756	2.764	.394				3.335	3.346	.394			
70,00	70,20	10,00	N	710173★	#	84,72	85,00	12,00	S	*50X85X12★	32
2.756	2.764	.394				3.335	3.346	.472			
70,00	70,20	14,00	S	710135★	#	85,00	85,20	8,00	S	50X85X8★	32
2.756	2.764	.551				3.346	3.354	.315			
70,00	70,23	9,00	S	1960★	47	86,00	86,30	13,00	N	710117★	#
2.756	2.765	.354				3.386	3.398	.512			
70,00	70,30	9,50	S	*1189★	32	88,00	88,20	8,00	S	*50X88X8★	32
2.756	2.768	.374				3.465	3.472	.315			
71,75	72,00	7,00	S	*50X72X7★	32	89,72	90,00	13,00	S	*50X90X13★	32
2.825	2.835	.276				3.532	3.543	.512			
71,75	72,00	9,00	S	*50X72X9★	32	90,00	90,20	8,00	S	50X90X8★	32
2.825	2.835	.354				3.543	3.551	.315			
71,75	72,00	10,00	S	*50X72X10★	32	90,00	90,20	10,00	V	*50X90X10V★	35
2.825	2.835	.394				3.543	3.551	.394			
71,75	72,00	12,00	S	*50X72X12★	32	90,00	90,28	10,00	S	50X90X10★	35
2.825	2.835	.472				3.543	3.554	.394			
72,00	72,20	8,00	V	*50X72X8V★	32	94,00	94,28	24,00	S	710071★	#
2.835	2.843	.315				3.701	3.712	.945			
72,00	72,20	10,00	S	710398★	#	99,72	100,00	10,00	S	*50X100X10★	32
2.835	2.843	.394				3.926	3.937	.394			
72,00	72,28	8,00	S	225030★	35	110,00	110,13	9,50	S	476512★	47
2.835	2.846	.315				4.331	4.336	.374			
72,00	72,28	8,00	S	50X72X8★	32	1.991" SHAFT					
2.835	2.846	.315				2.900	2.975	.290	S	200885%	200E
72,00	72,35	10,00	S	225035★	32	1.996" SHAFT					
2.835	2.848	.394				-	-	-	S	800500	VRS1
72,00	72,35	12,00	S	225040★↔	32	-	-	-	V	800504	VRS1
2.835	2.848	.472				-	-	-	V	800505	VRS2
72,75	73,00	9,00	S	*50X73X9★	32	2.000	2.878	.250	S	8998%	44
2.864	2.874	.354				2.743	2.751	.325	H	3404↔	75
74,00	74,20	9,00	S	710137★	#	2.996	3.001	.812	S	*392077	#
2.913	2.921	.354				3.111	3.120	.344	H	4189H&	75
74,75	75,00	10,00	S	*50X75X10★	32	2.000" SHAFT					
2.943	2.953	.394				-	-	-	S	800500	VRS1
75,00	75,10	9,00	S	710437★	47	-	-	-	V	800504	VRS1
2.953	2.957	.354				-	-	-	V	800505	VRS2
75,00	75,20	7,00	S	50X75X7★	32	-	-	.563		99199	Redi-Sleeve
2.953	2.961	.276				-	-	.875		99200	Redi-Sleeve
75,00	75,20	8,00	S	*50X75X8★	32	-	4.562	.562	F	*6469	#
2.953	2.961	.315				2.500	-	.250	U	710025	#
75,00	75,28	12,00	S	50X75X12★	32	2.500	-	.375	U	710040	#
2.953	2.964	.472				2.500	2.504	.437	H	452261H	45
75,75	76,00	12,00	S	*50X76X12★	32	2.501	2.506	.250	L	40401	4L
2.982	2.992	.472				2.502	2.506	.500	L	*50401	5L
77,50	77,70	9,00	S	1941★	47	2.502	2.508	.250	S	352541	35
3.051	3.071	.354				2.561	2.565	.250	S	4739	282
77,72	78,00	12,00	S	*50X78X12★	32	2.561	2.565	.549	S	9015S	44
3.060	3.071	.472				2.561	2.566	.220	S	*3633	#
78,00	78,20	8,00	S	*50X78X8★	32	2.562	2.566	.220	S	8871&	286
3.071	3.079	.315				2.562	2.566	.225	S	*4195	#
79,72	80,00	10,00	S	*50X80X10★	32	2.562	2.566	.500	F	*205058	205
3.139	3.150	.394				2.562	2.566	.528	N	331301N	33
79,72	80,00	12,00	S	*50X80X12★	32	2.623	2.626	.580	S	*2834	#
3.139	3.150	.472									
79,72	80,00	13,00	S	*50X80X13★	32						
3.139	3.150	.512									
80,00	80,20	8,00	V	*50X80X8V★	32						
3.150	3.157	.315									
80,00	80,28	8,00	S	225050★	35						
3.150	3.161	.315									

For Illustration and Material Data See Technical Section

Designed For A Specific Application - Not Recommended For General Use ↗ Hydrodynamic Lip Design-CW ↔ Hydrodynamic Lip Design-Bidirectional % External Bore
 & Flanged O.D. * The U.S. customer service number is 877-4-TIMKEN. The Canadian customer service numbers are 800-565-4927 (English) and 800-565-0438 (French-Canadian).
 ★ Metric Seal

Size Section

Hsg. Bore	Seal O.D.	Seal Width	Lip Mat'l	Part No.	Type/ Illus.	Hsg. Bore	Seal O.D.	Seal Width	Lip Mat'l	Part No.	Type/ Illus.
2.000" SHAFT (cont.)						2.000" SHAFT (cont.)					
2.623	2.627	.225	S	*41424S	4S	2.835	2.839	.375	S	472653	47
2.623	2.627	.250	S	40410S	4S	2.835	2.839	.375	V	472653V	47
2.623	2.627	.250	S	*492702	49	2.835	2.839	.468	S	*411943	41
2.623	2.627	.256	V	710263➔	47	2.835	2.839	.468	S	*451943	45
2.623	2.627	.280	S	4148&	286	2.835	2.839	.468	S	*471943	47
2.623	2.627	.312	S	471424	47	2.846	2.850	.375	S	493524	49
2.623	2.627	.312	A	471424A	47	2.875	2.879	.250	S	*42999S	4S
2.623	2.627	.312	V	471424V	47	2.875	2.879	.290	S	200339	200
2.623	2.627	.312	S	*481424	48	2.875	2.879	.312	V	472924V	47
2.623	2.627	.312	H	*481424H	48	2.875	2.879	.312	S	472924	47
2.623	2.627	.375	S	*472331	47	2.875	2.879	.312	S	*482924	48
2.623	2.627	.500	S	*410410	41	2.875	2.879	.437	S	*411944	41
2.623	2.627	.500	S	*450410	45	2.875	2.879	.437	S	*451944	45
2.623	2.627	.500	N	*450410N	45	2.875	2.879	.437	H	*451944H	45
2.623	2.627	.500	S	*470410	47	2.875	2.879	.437	S	*471944	47
2.623	2.627	.500	S	*480410	48	2.875	2.879	.437	S	*481944	48
2.623	2.627	.500	N	*480410N	48	2.875	2.879	.468	S	*410083	41
2.623	2.627	.635	S	*5125&	#	2.875	2.879	.468	N	*410083N	41
2.625	2.629	.250	S	*440905	44	2.875	2.879	.468	S	450083	45
2.625	2.629	.285	S	9406S	279	2.875	2.879	.468	S	*480083	48
2.625	2.630	.375	H	*472857H	47	2.875	2.879	.500	S	*410966	41
2.630	2.750	.562	S	6090S	273	2.875	2.879	.500	S	*450966	45
2.635	2.639	.235	F	292594	29	2.875	2.879	.508	H	*8836H	37
2.651	4.562	.562	F	*6465B++	#	2.875	2.879	.703	S	6163S	21
2.686	2.690	.250	S	40360S	4S	2.878	2.882	.340	N	4598➔	83
2.686	2.690	.375	S	471870	47	2.880	2.884	.375	S	472082	47
2.686	2.690	.375	S	*482485	48	2.880	2.884	.375	N	*472082N	47
2.686	2.690	.437	S	*411883	41	2.880	2.884	.500	N	*411429N	41
2.686	2.690	.437	H	*411883H	41	2.961	2.971	.250	F	8139	#
2.686	2.690	.437	S	*451883	45	2.964	2.968	.500	F	205044	205
2.686	2.690	.437	H	*451883H	45	2.995	3.003	.438	N	*4654N➔	#
2.686	2.690	.437	S	471883	47	2.996	3.001	.250	S	40085S	4S
2.686	2.690	.500	S	*410360	41	2.996	3.001	.250	S	*43085S	4S
2.686	2.690	.500	S	*450360	45	2.996	3.001	.375	V	470530V	47
2.686	2.690	.500	H	*450360H	45	2.996	3.001	.375	S	*410530	41
2.686	2.690	.500	S	*470360	47	2.996	3.001	.375	N	*410530N	41
2.686	2.690	.500	S	*480360	48	2.996	3.001	.375	S	470530	47
2.687	2.690	.375	U	710017	#	2.996	3.001	.437	S	*412008	41
2.713	2.717	.468	S	450446	45	2.996	3.001	.437	S	*452008	45
2.716	2.720	.468	S	*410543	41	2.996	3.001	.437	S	*472008	47
2.716	2.720	.468	S	*450543	45	2.996	3.001	.500	S	410085	41
2.716	2.720	.468	H	*450543H	45	2.996	3.001	.500	H	*410085H	41
2.716	2.720	.468	V	450543V	45	2.996	3.001	.500	N	*410085N	41
2.716	2.720	.468	S	470543	47	2.996	3.001	.500	V	*410085V	41
2.716	2.720	.593	S	*10543S	1S	2.996	3.001	.500	S	450085	45
2.716	2.721	.375	S	474272	47	2.996	3.001	.500	N	*450085N	45
2.717	2.721	.250	S	43073S	4S	2.996	3.001	.500	V	*450085V	45
2.720	-	.210	S	710365%	#	2.996	3.001	.500	S	*470085	47
2.742	2.746	.375	S	472341	47	2.996	3.001	.500	H	*470085H	47
2.742	2.746	.375	N	*472341N	47	2.996	3.001	.500	N	*470085N	47
2.745	2.749	.230	S	*4403	#	2.996	3.001	.500	S	*480085	48
2.745	2.749	.230	S	5113	203	2.996	3.003	.438	N	714654➔	47
2.746	2.750	.375	S	*331107	33	3.000	3.005	.250	S	40301S	4S
2.746	2.750	.375	H	*331107H	33	3.000	3.005	.312	V	472397V	47
2.746	2.750	.375	H	331107N	33	3.000	3.005	.312	S	472397	47
2.750	2.754	.187	L	5865	4L	3.000	3.005	.312	S	*482397	48
2.750	2.754	.250	S	40389S	4S	3.000	3.005	.375	S	*452009	45
2.750	2.754	.312	V	472492V	47	3.000	3.005	.375	S	*472009	47
2.750	2.754	.312	S	472492	47	3.000	3.005	.375	N	*472009N	47
2.750	2.754	.312	A	472492A	47	3.000	3.005	.375	S	*482009	48
2.750	2.754	.312	N	*472492N	47	3.000	3.005	.500	S	*410301	41
2.750	2.754	.312	S	*482492	48	3.000	3.005	.500	V	*410301V	41
2.750	2.754	.325	N	710447	47	3.000	3.005	.500	S	450301	45
2.750	2.754	.375	S	*480436	48	3.000	3.005	.500	H	*450301H	45
2.750	2.754	.500	S	*410389	41	3.000	3.005	.500	N	*450301N	45
2.750	2.754	.500	N	*410389N	41	3.000	3.005	.500	S	*470301	47
2.750	2.754	.500	S	450389	45	3.000	3.005	.500	S	*480301	48
2.750	2.754	.500	H	*450389H	45	3.000	3.005	.500	H	*480301H	48
2.750	2.754	.500	S	*470389	47	3.062	3.066	.250	S	204508	204
2.750	2.754	.500	N	*470389N	47	3.062	3.066	.375	S	473463	47
2.750	2.754	.500	S	*480389	48	3.062	3.066	.500	S	*411091	41
2.804	2.824	.294	S	200881%	200E	3.062	3.066	.500	S	*451091	45

SIZE SECTION

For Illustration and Material Data See Technical Section

Designed For A Specific Application - Not Recommended For General Use ➔ Hydrodynamic Lip Design-CW ◀ Hydrodynamic Lip Design-CCW ++ Not Sold Separately

% External Bore & Flanged O.D.

* The U.S. customer service number is 877-4-TIMKEN. The Canadian customer service numbers are 800-565-4927 (English) and 800-565-0438 (French-Canadian).

Hsg. Bore	Seal O.D.	Seal Width	Lip Mat'l	Part No.	Type/ Illus.	Hsg. Bore	Seal O.D.	Seal Width	Lip Mat'l	Part No.	Type/ Illus.
2.000" SHAFT (cont.)						51,00mm (2.008") SHAFT (cont.)					
3.062	3.066	.500	S	*471091	47	65,00	65,10	7,00	S	*474096★	47
3.062	3.066	.500	N	*471091N	47	2.559	2.563	.276			
3.062	3.066	.500	S	*481091	48	66,00	66,20	6,50	N	710265★	35
3.062	3.066	.500	H	*481091H	48	2.598	2.606	.256			
3.125	3.130	.312	S	*473242	47	66,25	66,50	10,00	S	*51X66.5X10★	32
3.125	3.130	.312	V	*473242V	47	2.608	2.618	.394			
3.125	3.130	.312	S	*483242	48	70,00	70,28	11,00	N	8316★➔	32
3.125	3.130	.375	S	*472010	47	2.756	2.767	.433			
3.125	3.130	.375	S	*482010	48	73,00	73,20	8,00	S	*51X73X8★	32
3.125	3.130	.500	S	*410310	41	2.874	2.882	.315			
3.125	3.130	.500	H	*410310H	41	80,00	80,20	8,00	S	*51X80X8★	32
3.125	3.130	.500	S	*450310	45	3.150	3.157	.315			
3.125	3.130	.500	N	*450310N	45	81,00	81,20	8,00	S	*51X81X8★	32
3.125	3.130	.500	S	*470310	47	3.189	3.197	.315			
3.125	3.130	.500	S	*480310	48	90,00	90,20	8,00	S	*51X90X8★	32
3.148	3.153	.250	S	*43670	4S	3.543	3.551	.315			
3.150	3.155	.375	S	*412725	41	92,00	92,20	8,00	S	*51X92X8★	32
3.150	3.155	.500	S	*51265S	5S	3.622	3.630	.315			
3.155	3.160	.500	F	*293280	29	2.010" SHAFT					
3.189	3.194	.375	S	*473464	47	-	-	-	S	800500	VRS1
3.189	3.194	.437	S	*410095	41	-	-	-	V	800504	VRS1
3.189	3.194	.437	S	450095	45	-	-	-	V	800505	VRS2
3.189	3.194	.437	N	*450095N	45	-	-	-	S	*SK2++	#
3.189	3.194	.437	S	*470095	47	2.650	2.655	.363	S	3794	49
3.189	3.194	.437	S	*480095	48	2.030" SHAFT					
3.251	3.256	.437	S	*412027	41	-	-	-	S	800500	VRS1
3.251	3.256	.500	S	*410571	41	-	-	-	V	800504	VRS1
3.251	3.256	.500	S	*450571	45	-	-	-	V	800505	VRS2
3.251	3.256	.500	S	*480571	48	-	-	-	S	*SK1++	#
3.264	3.269	.250	S	441148	44	2.601		.295	S		
3.264	3.269	.312	F	*291148	29	2.031" (2-1/32") SHAFT					
3.350	3.355	.468	S	*412028	41	-	-	-	S	800500	VRS1
3.370	-	1.020	S	710007	#	-	-	-	V	800504	VRS1
3.371	3.376	.468	S	*410102	41	-	-	-	V	800505	VRS2
3.371	3.376	.468	N	*410102N	41	-	-	-	L	5797	#
3.371	3.376	.468	S	*450102	45	52,00mm (2.047") SHAFT					
3.371	3.376	.468	H	*450102H	45	-	-	-	S	800500	VRS1
3.371	3.376	.468	N	*470102N	47	-	-	-	V	800504	VRS1
3.371	3.376	.468	N	*480102	48	-	-	-	V	800505	VRS2
3.500	3.505	.500	S	*415627	41	4.156		.781	L		
3.543	3.548	.500	S	*455253	45	Redi-Sleeve					
3.623	3.628	.250	S	204506	204	0,00	69,01	14,81	S	710527★	#
3.623	3.628	.375	S	487945	48	.000	2.717	.583			
3.623	3.628	.500	S	*457097	45	61,75	62,00	7,00	S	*52X62X7★	32
4.003	4.008	.468	L	55524	5L	2.431	2.441	.276			
2.005" SHAFT						61,75	62,00	10,00	S	*52X62X10★	32
-	-	-	S	800500	VRS1	2.431	2.441	.394			
-	-	-	V	800504	VRS1	62,00	63,00	5,50	S	710253★%	#
-	-	-	V	800505	VRS2	2.441	2.480	.217			
2.878	2.888	.340	V	320259➔	32	62,75	63,00	8,00	S	*52X63X8★	32
51,00mm (2.008") SHAFT						2.470	2.480	.315			
-	-	-	S	800500	VRS1	63,00	63,23	8,00	S	1975★	32
-	-	-	V	800504	VRS1	2.480	2.489	.315			
-	-	-	V	800505	VRS2	63,75	64,00	9,00	S	*52X64X9★	32
62,00	62,10	7,00	S	710407★	33	2.510	2.520	.354			
2.441	2.445	.276				64,75	65,00	8,00	S	*52X65X8★	32
63,00	63,12	6,00	S	494123★	49	2.549	2.559	.315			
2.480	2.485	.236				64,75	65,00	10,00	S	*52X65X10★	32
63,00	63,20	8,00	S	*51X63X8★	32	2.549	2.559	.394			
2.480	2.488	.315				65,00	65,20	9,00	S	225208★	32
63,00	63,20	8,50	S	710323★	49	2.559	2.567	.354			
2.480	2.488	.335				65,00	65,30	9,00	S	52X65X9★	32
64,75	65,00	13,00	S	*51X65X13★	32	2.559	2.571	.354			
2.549	2.559	.512				65,00	65,30	9,00	S	1955★	35
65,00	65,10	7,00	S	51X65X7★	47	2.559	2.571	.354			
2.559	2.563	.276				52,00mm (2.047") SHAFT					
65,00	65,10	7,00	S	225110★	47	-	-	-	S	800500	VRS1
2.559	2.563	.276				-	-	-	V	800504	VRS1
2.005" SHAFT						-	-	-	V	800505	VRS2
-	-	-	S	800500	VRS1	0,00	69,01	14,81	S	710527★	#
-	-	-	V	800504	VRS1	.000	2.717	.583			
-	-	-	V	800505	VRS2	61,75	62,00	7,00	S	*52X62X7★	32
2.878	2.888	.340	V	320259➔	32	2.431	2.441	.276			
51,00mm (2.008") SHAFT						61,75	62,00	10,00	S	*52X62X10★	32
-	-	-	S	800500	VRS1	2.431	2.441	.394			
-	-	-	V	800504	VRS1	62,00	63,00	5,50	S	710253★%	#
-	-	-	V	800505	VRS2	2.441	2.480	.217			
62,00	62,10	7,00	S	710407★	33	62,75	63,00	8,00	S	*52X63X8★	32
2.441	2.445	.276				2.470	2.480	.315			
63,00	63,12	6,00	S	494123★	49	63,00	63,23	8,00	S	1975★	32
2.480	2.485	.236				2.480	2.489	.315			
63,00	63,20	8,00	S	*51X63X8★	32	63,75	64,00	9,00	S	*52X64X9★	32
2.480	2.488	.315				2.510	2.520	.354			
63,00	63,20	8,50	S	710323★	49	64,75	65,00	8,00	S	*52X65X8★	32
2.480	2.488	.335				2.549	2.559	.315			
64,75	65,00	13,00	S	*51X65X13★	32	64,75	65,00	10,00	S	*52X65X10★	32
2.549	2.559	.512				2.549	2.559	.394			
65,00	65,10	7,00	S	51X65X7★	47	65,00	65,20	9,00	S	225208★	32
2.559	2.563	.276				2.559	2.567	.354			
65,00	65,10	7,00	S	225110★	47	65,00	65,30	9,00	S	52X65X9★	32
2.559	2.563	.276				2.559	2.571	.354			
2.005" SHAFT						52,00mm (2.047") SHAFT					
-	-	-	S	800500	VRS1	-	-	-	S	800500	VRS1
-	-	-	V	800504	VRS1	-	-	-	V	800504	VRS1
-	-	-	V	800505	VRS2	-	-	-	V	800505	VRS2
2.878	2.888	.340	V	320259➔	32	-	-	.500		99204	Redi-Sleeve
51,00mm (2.008") SHAFT						0,00	69,01	14,81	S	710527★	#
-	-	-	S	800500	VRS1	.000	2.717	.583			
-	-	-	V	800504	VRS1	61,75	62,00	7,00	S	*52X62X7★	32
-	-	-	V	800505	VRS2	2.431	2.441	.276			
62,00	62,10	7,00	S	710407★	33	61,75	62,00	10,00	S	*52X62X10★	32
2.441	2.445	.276				2.431	2.441	.394			
63,00	63,12	6,00	S	494123★	49	62,00	63,00	5,50	S	710253★%	#
2.480	2.485	.236				2.441	2.480	.217			
63,00	63,20	8,00	S	*51X63X8★	32	62,75	63,00	8,00	S	*52X63X8★	32
2.480	2.488	.315				2.470	2.480	.315			
63,00	63,20	8,50	S	710323★	49	63,00	63,23	8,00	S	1975★	32
2.480	2.488	.335				2.480	2.489	.315			
64,75	65,00	13,00	S	*51X65X13★	32	63,75	64,00	9,00	S	*52X64X9★	32
2.549	2.559	.512				2.510	2.520	.354			
65,00	65,10	7,00	S								

Size Section

Hsg. Bore	Seal O.D.	Seal Width	Lip Mat'l	Part No.	Type/ Illus.	Hsg. Bore	Seal O.D.	Seal Width	Lip Mat'l	Part No.	Type/ Illus.
52,00mm (2.047") SHAFT (cont.)						52,00mm (2.047") SHAFT (cont.)					
66,00	66,12	7,50	S	4898★	66	79,72	80,00	13,00	S	* 52X80X13★	32
2.598	2.603	.295			35	3.139	3.150	.512			
66,00	66,23	9,00	N	225210★		80,00	80,28	10,00	S	52X80X10★↔	32
2.598	2.607	.354			#	3.150	3.161	.394			
67,00	67,30	7,00	S	1883★%		82,00	82,20	8,00	S	52X82X8★	32
2.638	2.650	.276			32	3.228	3.236	.315			
67,75	68,00	7,00	S	* 52X68X7★		84,72	85,00	9,00	S	* 52X85X9★	32
2.667	2.677	.276			32	3.335	3.346	.354			
67,75	68,00	10,00	S	* 52X68X10★		84,72	85,00	10,00	S	* 52X85X10★	32
2.667	2.677	.394			#	3.335	3.346	.394			
68,00	68,10	6,50	S	710292★		85,00	85,20	8,00	S	52X85X7★	32
2.677	2.681	.256			#	3.346	3.354	.315			
68,00	68,09	12,09	S	* 710064★		85,00	85,20	8,00	S	* 52X85X8★	32
2.677	2.681	.476			32	89,72	90,00	10,00	S	* 52X90X10★	32
68,00	68,15	8,00	V	710190★		3.532	3.543	.394			
2.677	2.683	.315			35						
68,00	68,20	8,00	V	* 52X68X8V★		2.048" SHAFT					
2.677	2.685	.315			32	-	-	-	S	800500	VRS1
68,00	68,20	13,00	S	710312★		-	-	-	V	800504	VRS1
2.677	2.685	.512			281	-	-	-	V	800505	VRS2
68,00	68,28	7,00	S	4990★		2.728	2.732	.590	S	3087	#
2.677	2.688	.276			32						
68,00	68,28	8,00	S	225220★		2.058" SHAFT					
2.677	2.688	.315			32	-	-	-	S	800500	VRS1
68,00	68,28	8,00	S	52X68X8★		-	-	-	V	800504	VRS1
2.677	2.688	.315			32	-	-	-	V	800505	VRS2
68,00	68,28	10,00	S	1884★		-	-	.781	99205	Redi-Sleeve	
2.677	2.688	.394			32	2.062	3.325	.290	S	* 200897%	200E
68,00	68,43	10,00	S	* 324186★		2.676	2.681	.255	S	* 7141	200
2.677	2.694	.394			35	3.149	3.154	.270	S	200110	200
69,00	69,28	10,00	S	52X69X10★		2.062" (2-1/16") SHAFT					
2.717	2.728	.394			32	-	-	-	S	800500	VRS1
69,75	70,00	9,00	S	* 52X70X9★		-	-	-	V	800504	VRS1
2.746	2.756	.354			32	-	-	-	V	800505	VRS2
69,75	70,00	13,00	S	* 52X70X13★		-	-	.781	99205	Redi-Sleeve	
2.746	2.756	.512			32	2.561	4.735	.468	S	6077	#
70,00	70,20	8,00	S	52X70X8★		2.561	2.565	.312	S	332134	33
2.756	2.764	.315			32	2.561	2.565	.313	V	484064V	48
70,00	70,27	8,50	N	710187★↔		2.758	2.762	.437	S	* 451945	45
2.756	2.766	.335			#	2.842	2.846	.450	L	5877	5L
70,00	70,27	7,50	S	225540★%		2.875	2.879	.375	S	* 472579	47
2.756	2.767	.295			47	2.875	2.879	.437	S	451948	45
70,00	70,27	8,00	S	225225★		2.875	2.879	.468	S	* 450373	45
2.756	2.767	.315			32	2.875	2.879	.468	S	* 480373	48
71,75	72,00	9,00	S	* 52X72X9★		2.875	2.879	.500	F	* 291070	29
2.825	2.835	.354			32	2.937	3.034	.340	S	* 4162%	200E
71,75	72,00	10,00	S	* 52X72X10★		2.996	3.001	.375	S	473466	47
2.825	2.835	.394			32	2.996	3.001	.500	S	* 410261	41
71,75	72,00	12,00	S	* 52X72X12★		2.996	3.001	.500	S	* 450261	45
2.825	2.835	.472			35	2.996	3.001	.500	S	* 480261	48
72,00	72,20	8,00	S	52X72X8★		3.000	3.005	.310	S	6954S	44
2.835	2.843	.315			32	3.000	3.005	.375	V	2822V	41
72,00	72,20	8,00	V	* 52X72X8V★		3.000	3.005	.375	S	* 412012	41
2.835	2.843	.315			35	3.000	3.005	.375	S	472012	47
72,00	72,28	8,00	S	225230★		3.000	3.005	.375	S	* 482012	48
2.835	2.846	.315			35	3.000	3.005	.437	N	412798N	41
72,00	72,28	8,00	S	* 350858★		3.000	3.005	.500	S	* 450302	45
2.835	2.846	.315			32	3.000	3.005	.500	H	* 450302H	45
72,00	72,28	8,00	N	710242★↔		3.000	3.005	.500	S	* 480302	48
2.835	2.846	.315			32	3.061	3.066	.500	S	450307	45
74,75	75,00	10,00	S	* 52X75X10★		3.061	3.066	.500	S	* 480307	48
2.943	2.953	.394			66	3.125	3.130	.500	S	450311	45
75,00	75,11	7,50	S	225275★		3.125	3.130	.500	S	* 480311	48
2.953	2.957	.295			#	3.151	3.156	.240	F	5756	29
75,00	75,28	12,00	S	52X75X12★		3.189	3.194	.375	S	* 472928	47
2.953	2.964	.472			32	3.189	3.194	.437	S	450096	45
77,00	78,00	9,00	S	710107★%							
3.031	3.071	.354			32						
77,72	78,00	10,00	S	* 52X78X10★							
3.060	3.071	.394			35						
78,00	78,28	9,00	N	225278★							
3.071	3.082	.354									

SIZE SECTION

For Illustration and Material Data See Technical Section

Designed For A Specific Application - Not Recommended For General Use ↗ Hydrodynamic Lip Design-CW ↔ Hydrodynamic Lip Design-Bidirectional % External Bore

* The U.S. customer service number is 877-4-TIMKEN. The Canadian customer service numbers are 800-565-4927 (English) and 800-565-0438 (French-Canadian). ★ Metric Seal

Hsg. Bore	Seal O.D.	Seal Width	Lip Mat'l	Part No.	Type/ Illus.	Hsg. Bore	Seal O.D.	Seal Width	Lip Mat'l	Part No.	Type/ Illus.
2.062" (2-1/16") SHAFT (cont.)						2.125" (2-1/8") SHAFT (cont.)					
3.189	3.194	.437	H	*450096H	45	-	-	.781		99212	Redi-Sleeve
3.189	3.194	.437	S	*480096	48	2.561	2.565	.492	S	*474069	47
3.190	3.194	.437	S	*416738	41	2.750	2.754	.375	S	*473204	47
3.190	3.194	.437	H	*416738H	41	2.750	2.754	.375	N	*473204N	47
3.250	3.310	.500	S	80313%	200E	2.750	2.754	.500	H	*9933	Redi-Sleeve
3.251	3.256	.500	S	450313	45	2.750	2.754	.500	S	*411949	41
3.251	3.256	.500	S	*480313	48	2.750	2.754	.500	H	*411949H	41
3.350	3.355	.468	S	*450532	45	2.750	2.754	.500	N	*411949N	41
3.371	3.376	.468	S	450343	45	2.750	2.754	.500	S	*471949	47
3.371	3.376	.468	S	*480343	48	2.750	2.754	.500	H	*471949H	47
3.623	3.628	.468	S	*455260	45	2.750	2.754	.500	N	*471949N	47
3.623	3.628	.468	S	*485260	48	2.758	2.762	.437	S	*471950	47
2.065" SHAFT						2.758	2.762	.437	H	*471950H	47
3.130	3.130	.294	S	200865%	200E	2.758	2.762	.437	N	*471950N	47
53,00mm (2.087") SHAFT						2.835	2.839	.468	S	*410639	41
-	-	-	S	800500	VRS1	2.835	2.839	.468	S	*450639	45
-	-	-	V	800504	VRS1	2.835	2.839	.468	S	*470639	47
-	-	-	V	800505	VRS2	2.835	2.839	.468	S	*480639	48
0,00	71,25	8,99	S	710522★	35	2.875	2.879	.250	S	40566S	4S
.000	2.805	.354	-	-	-	2.875	2.879	.250	S	*43000S	4S
67,95	68,20	7,00	S	*53X68.2X7★	32	2.875	2.879	.312	S	6626S	4S
2.675	2.685	.276	-	-	-	2.875	2.879	.375	V	470898V	45
68,00	68,28	10,00	S	53X68X10★	32	2.875	2.879	.375	H	6879H	33
2.677	2.688	.394	-	-	-	2.875	2.879	.375	H	*330867H	33
68,20	68,48	7,00	S	710175★	32	2.875	2.879	.375	N	*450898N	45
2.685	2.696	.276	-	-	-	2.875	2.879	.375	S	*470898	47
69,00	69,11	10,30	F	*205009★	205	2.875	2.879	.375	A	470898A	47
2.717	2.721	.406	-	-	-	2.875	2.879	.375	N	*470898N	47
71,75	72,00	10,00	S	*53X72X10★	32	2.875	2.879	.375	S	*480898	48
2.825	2.835	.394	-	-	-	2.875	2.879	.437	T	39851◀	FW-H
72,75	73,00	10,00	S	*53X73X10★	32	2.875	2.879	.437	T	39853▶	FW-H
2.864	2.874	.394	-	-	-	2.875	2.879	.437	S	*410867	41
79,72	80,00	13,00	S	*53X80X13★	32	2.875	2.879	.437	N	410867N	41
3.139	3.150	.512	-	-	-	2.875	2.879	.437	V	*410867V	41
2.088" SHAFT						2.875	2.879	.437	S	450867	45
.000	2.777	.500	S	710506	86	2.875	2.879	.437	H	*450867H	45
.000	2.915	.500	S	710507	71	2.875	2.879	.437	N	*450867N	45
2.093" (2-3/32") SHAFT						2.875	2.879	.437	V	*450867V	45
-	-	-	S	800550	VRS1	2.875	2.879	.437	S	*470867	47
-	-	-	V	800554	VRS1	2.875	2.879	.437	H	*470867H	47
2.716	2.721	.359	S	*204078	204	2.875	2.879	.437	N	*470867N	47
2.716	2.721	.406	S	*204009	204	2.875	2.879	.437	S	*480867	48
2.716	2.721	.406	S	6590S	204	2.875	2.879	.437	N	*480867N	48
2.716	2.725	.250	S	340900	34	2.875	2.879	.468	S	*410365	41
2.750	2.754	.250	S	41013S	4S	2.875	2.879	.468	S	450365	45
2.835	2.839	.250	S	*40627S	4S	2.875	2.879	.468	V	*450365V	45
3.148	3.153	.250	S	*43070S	4S	2.875	2.879	.468	S	*470365	47
3.150	3.156	.250	S	40973S	4S	2.875	2.879	.500	S	*482612	45
2.116" SHAFT						2.875	2.879	.500	S	*482612	48
-	-	-	S	800550	VRS1	2.875	2.879	.625	L	30365	3L
-	-	-	V	800554	VRS1	2.878	2.884	.437	S	9599S▶	47
3.189	3.194	.468	H	*472236H	47	2.880	2.885	.550	N	2457◀	#
2.121" SHAFT						2.996	3.001	.375	S	*473467	47
3.296	3.296	.460	S	*9434%	46	2.996	3.001	.500	S	*410115	41
2.125" (2-1/8") SHAFT						2.996	3.001	.500	N	*410115N	41
-	-	-	S	800550	VRS1	2.996	3.001	.500	S	450115	45
-	-	-	V	800554	VRS1	2.996	3.001	.500	N	*450115N	45
-	-	.500		99210	Redi-Sleeve	2.996	3.001	.500	S	*470115	47
						2.996	3.001	.500	S	*480115	48
						2.996	3.001	.687	S	8650S	1L
						3.000	3.005	.312	S	8430S	49
						3.000	3.005	.375	V	412015V	41
						3.000	3.005	.375	S	*472015	47
						3.000	3.005	.375	N	*472015N	47
						3.000	3.005	.375	V	472015V	47
						3.000	3.005	.375	S	*482015	48
						3.000	3.005	.375	H	*482015H	48

For Illustration and Material Data See Technical Section

Designed For A Specific Application - Not Recommended For General Use ▶ Hydrodynamic Lip Design-CW ◀ Hydrodynamic Lip Design-CCW % External Bore

* The U.S. customer service number is 877-4-TIMKEN. The Canadian customer service numbers are 800-565-4927 (English) and 800-565-0438 (French-Canadian). ★ Metric Seal

Size Section

Hsg. Bore	Seal O.D.	Seal Width	Lip Mat'l	Part No.	Type/ Illus.	Hsg. Bore	Seal O.D.	Seal Width	Lip Mat'l	Part No.	Type/ Illus.
2.125" (2-1/8") SHAFT (cont.)						2.125" (2-1/8") SHAFT (cont.)					
3.000	3.005	.375	N	*482015N	48	3.350	3.355	.500	S	*456861	45
3.000	3.005	.375	V	*482015V	48	3.350	3.356	1.250	S	*483815	48
3.000	3.005	.500	S	*410303	41	3.371	3.376	.312	S	440972	44
3.000	3.005	.500	N	*410303N	41	3.371	3.376	.375	V	413470V	41
3.000	3.005	.500	S	450303	45	3.371	3.376	.375	S	413470	41
3.000	3.005	.500	N	*450303N	45	3.371	3.376	.468	S	*410972	41
3.000	3.005	.500	V	*450303V	45	3.371	3.376	.468	N	410972N	41
3.000	3.005	.500	S	*470303	47	3.371	3.376	.468	S	*450972	45
3.000	3.005	.500	N	*470303N	47	3.371	3.376	.468	S	*470972	47
3.000	3.005	.500	V	*470303V	47	3.371	3.376	.468	S	*480972	48
3.000	3.005	.500	S	480303	48	3.436	3.440	.625	F	6380	29
3.000	3.005	.500	V	*480303V	48	3.500	3.505	.375	S	416267	41
3.061	3.066	.375	S	473468	47	3.500	3.505	.375	S	*476267	47
3.061	3.066	.500	S	410308	41	3.500	3.505	.500	S	*415659	41
3.061	3.066	.500	S	450308	45	3.500	3.505	.500	S	*455659	45
3.061	3.066	.500	S	*470308	47	3.500	3.505	.500	S	*475659	47
3.061	3.066	.500	N	470308N	47	3.500	3.505	.500	S	*485659	48
3.061	3.066	.500	S	*480308	48	3.501	3.505	.375	S	*456267	45
3.061	3.066	.687	L	30308	3L	3.501	3.505	.375	S	*486267	48
3.063	3.068	.370	N	*710021	7S	3.543	3.548	.320	S	*200346	200
3.125	3.130	.375	S	*412016	41	3.543	3.548	.500	S	415349	41
3.125	3.130	.375	N	*412016N	41	3.543	3.548	.500	N	*415349N	41
3.125	3.130	.375	S	472016	47	3.543	3.548	.500	V	*415349V	41
3.125	3.130	.375	S	*482016	48	3.547	3.557	.375	S	*355737	35
3.125	3.130	.500	S	*2523	41	3.623	3.628	.468	S	*415080	41
3.125	3.130	.500	S	*410312	41	3.623	3.628	.468	N	455080	45
3.125	3.130	.500	N	410312N	41	3.623	3.628	.468	N	475080N	47
3.125	3.130	.500	S	450312	45	3.937	3.942	.375	S	*476808	47
3.125	3.130	.500	N	*450312N	45	54,00mm (2.126") SHAFT					
3.125	3.130	.500	S	*470312	47	-	-	-	S	800550	VRS1
3.125	3.130	.500	N	*470312N	47	-	-	-	V	800554	VRS1
3.125	3.130	.500	S	*480312	48	-	-	.500		99210	Redi-Sleeve
3.125	3.130	.500	N	*480312N	48	-	-	.781		99212	Redi-Sleeve
3.125	3.130	.593	S	*7951	41	-	-				
3.126	3.131	.484	F	6389	29	63,75	64,00	9,00	S	*54X64X9★	32
3.146	3.153	.500	F	8243	#	2.510	2.520	.354			
3.149	3.154	.375	S	476535	47	64,75	65,00	10,00	S	*54X65X10★	32
3.149	3.154	.375	N	*476535N	47	2.549	2.559	.394			
3.180	3.184	.781	S	*6180	#	64,75	65,00	13,00	S	*54X65X13★	32
3.189	3.194	.375	S	472409	47	2.549	2.559	.512			
3.189	3.194	.375	N	*472409N	47	65,00	65,20	8,00	S	54X65X8★	32
3.189	3.194	.375	V	*472409V	47	2.549	2.559	.315			
3.189	3.194	.437	T	39302	W-H	65,00	65,28	12,50	S	2002★	47
3.189	3.194	.437	T	39717	WW-H	2.559	2.570	.492			
3.189	3.194	.437	T	39719	WW-H	66,00	66,23	7,50	S	225410★	#
3.189	3.194	.437	S	*410121	41	2.598	2.607	.295			
3.189	3.194	.437	V	*410121V	41	67,75	68,00	10,00	S	*54X68X10★	32
3.189	3.194	.437	S	450121	45	2.667	2.677	.394			
3.189	3.194	.437	N	*450121N	45	69,00	69,23	7,00	N	710239★	40
3.189	3.194	.437	V	*450121V	45	2.717	2.726	.276			
3.189	3.194	.437	S	*470121	47	69,75	70,00	9,00	S	*54X70X9★	32
3.189	3.194	.437	S	*480121	48	2.746	2.756	.354			
3.189	3.194	.468	H	*2439	#	72,00	72,25	10,00	S	54X72X10★	32
3.193	3.198	.812	H	7790H	#	2.835	2.844	.394			
3.251	3.256	.375	S	473243	47	72,00	72,25	10,00	S	225420★	32
3.251	3.256	.375	S	*483243	48	2.835	2.844	.394			
3.251	3.256	.437	S	*412032	41	72,25	72,50	9,00	S	*54X72.5X9★	32
3.251	3.256	.437	S	*452032	45	2.844	2.854	.354			
3.251	3.256	.500	S	*410314	41	73,00	73,20	8,00	S	54X73X8★	32
3.251	3.256	.500	S	*450314	45	2.874	2.882	.315			
3.251	3.256	.500	S	*470314	47	73,00	73,40	12,75	T	712125★	FW-H
3.251	3.256	.500	N	*470314N	47	2.874	2.890	.502			
3.251	3.256	.500	S	*480314	48	73,75	74,00	10,00	S	*54X74X10★	32
3.350	3.355	.250	S	*40097S	4S	2.903	2.913	.394			
3.350	3.355	.375	S	413469	41	74,75	75,00	10,00	S	*54X75X10★	32
3.350	3.355	.375	S	*473469	47	2.943	2.953	.394			
3.350	3.355	.468	S	*50097	5S	75,18	75,48	17,00	S	710073★	#
3.350	3.355	.468	S	*410097	41	2.960	2.972	.669			
3.350	3.355	.468	N	*410097N	41	75,75	76,00	8,00	S	*54X76X8★	32
3.350	3.355	.468	V	*410097V	41	2.982	2.992	.315			
3.350	3.355	.468	S	*450097	45						
3.350	3.355	.468	S	*480097	48						

SIZE SECTION

For Illustration and Material Data See Technical Section

Designed For A Specific Application - Not Recommended For General Use ➔ Hydrodynamic Lip Design-CW ◀ Hydrodynamic Lip Design-CCW

* The U.S. customer service number is 877-4-TIMKEN. The Canadian customer service numbers are 800-565-4927 (English) and 800-565-0438 (French-Canadian). ★ Metric Seal

Hsg. Bore	Seal O.D.	Seal Width	Lip Mat'l	Part No.	Type/ Illus.	Hsg. Bore	Seal O.D.	Seal Width	Lip Mat'l	Part No.	Type/ Illus.
54,00mm (2.126") SHAFT (cont.)						55,00mm (2.165") SHAFT (cont.)					
76,00	76,20	14,00	S	710438★	#	64,75	65,00	8,00	S	*55X65X8★	32
2.992	3.000	.551				2.549	2.559	.315			
79,72	80,00	10,00	S	*54X80X10★	32	64,75	65,00	10,00	S	*55X65X10★	32
3.139	3.150	.394				2.549	2.559	.394			
80,72	81,00	10,00	S	*54X81X10★	32	67,75	68,00	10,00	S	*55X68X10★	32
3.178	3.189	.394				2.667	2.677	.394			
81,00	81,20	8,00	S	*54X81X8★	32	68,00	68,20	8,00	S	710127★	#
3.189	3.197	.315				2.677	2.685	.315			
81,72	82,00	11,00	S	*54X82X11★	32	68,00	68,28	8,00	S	55X68X8★	32
3.217	3.228	.433				2.677	2.688	.315			
81,99	82,17	8,00	S	710203★	66	68,00	68,30	8,00	S	225500★	32
3.228	3.235	.315				2.677	2.689	.315			
82,00	82,30	10,00	S	225450★	32	68,53	68,91	4,11	S	*9471★	#
3.228	3.240	.394				2.698	2.713	.162			
82,00	82,35	10,00	S	54X82X10★	32	69,75	70,00	9,00	S	*55X70X9★	32
3.228	3.242	.394				2.746	2.756	.354			
85,00	85,25	10,00	S	225460★	32	69,75	70,00	10,00	S	*55X70X10★	32
3.346	3.356	.394				2.746	2.756	.394			
85,00	85,28	10,00	S	54X85X10★	32	69,75	70,00	12,00	S	*55X70X12★	32
3.346	3.357	.394				2.746	2.756	.472			
2.129" SHAFT						2.165" SHAFT					
-	-	-	S	800550	VRS1	70,00	70,10	10,26	S	3723★	66
-	-	-	V	800554	VRS1	2.756	2.760	.404			
-	-	.781		99212	Redi-Sleeve	70,00	70,20	8,00	V	*55X70X8V★	32
2.762	2.766	.250	N	*6957	48	2.756	2.764	.315			
2.835	2.846	.323	T	100470	#	70,00	70,20	8,00	V	710279★	32
2.891	2.895	.250	S	42101S	4S	2.756	2.764	.315			
2.136" SHAFT						2.165" SHAFT					
-	-	-	S	800550	VRS1	70,00	70,27	8,00	S	55X70X8★	35
-	-	-	V	800554	VRS1	2.756	2.767	.315			
2.902	2.909	.310	S	8312&	272	70,00	70,27	9,00	S	225505★	32
2.141" SHAFT						2.165" SHAFT					
-	-	-	S	800550	VRS1	2.756	2.767	.394			
-	-	-	V	800554	VRS1	71,75	72,00	9,00	S	*55X72X9★	32
3.484	3.493	.329	V	4635V	#	2.825	2.835	.354			
3.484	3.493	.329	H	*4635H	#	71,75	72,00	12,00	S	*55X72X12★	32
3.484	3.493	.622	H	4635	#	2.825	2.835	.472			
54,50mm (2.146") SHAFT						2.165" SHAFT					
69,75	70,00	8,00	S	*54.5X70X8★	32	72,00	72,20	8,00	V	*55X72X8V★	32
2.746	2.756	.315				2.835	2.843	.315			
2.156" (2-5/32") SHAFT						2.165" SHAFT					
-	-	-	S	800550	VRS1	72,00	72,20	10,50	S	225535★	32
-	-	-	V	800554	VRS1	2.835	2.843	.413			
2.875	2.879	.375	H	*482513H	48	72,00	72,25	8,00	S	225530★	35
2.880	2.885	.375	T	100058	W	2.835	2.844	.315			
3.189	3.194	.437	S	450621	45	72,00	72,25	8,00	S	55X72X8★	32
3.189	3.194	.437	N	*450621N	45	2.835	2.844	.315			
3.251	3.256	.500	S	450869	45	72,00	72,25	8,00	S	55X72X8★	32
2.162" SHAFT						2.165" SHAFT					
-	-	-	S	800550	VRS1	2.835	2.844	.315			
-	-	-	V	800554	VRS1	72,75	73,00	10,00	S	*55X73X10★	32
-	-	.787		99215	Redi-Sleeve	2.864	2.874	.394			
3.543	3.548	.375	S	*476513	47	74,00	74,10	9,20	S	1207N★	49
55,00mm (2.165") SHAFT						2.165" SHAFT					
-	-	-	S	800550	VRS1	2.913	2.917	.362			
-	-	-	V	800554	VRS1	74,00	74,28	9,20	S	1207★	49
-	-	.787		99215	Redi-Sleeve	2.913	2.924	.362			
55,00mm (2.165") SHAFT						2.165" SHAFT					
-	-	-	S	800550	VRS1	74,75	75,00	9,00	S	*55X75X9★	32
-	-	-	V	800554	VRS1	2.943	2.953	.354			
-	-	.787		99215	Redi-Sleeve	74,75	75,00	12,00	S	*55X75X12★	32
55,00mm (2.165") SHAFT						2.165" SHAFT					
-	-	-	S	800550	VRS1	2.943	2.953	.472			
-	-	-	V	800554	VRS1	75,00	0,00	10,00	N	225885★	32
-	-	.787		99215	Redi-Sleeve	2.953	.000	.394			
55,00mm (2.165") SHAFT						2.165" SHAFT					
-	-	-	S	800550	VRS1	75,00	75,20	7,00	S	55X100X7★	32
-	-	-	V	800554	VRS1	2.953	2.961	.276			
-	-	.787		99215	Redi-Sleeve	75,00	75,20	8,00	S	55X75X8★	35
55,00mm (2.165") SHAFT						2.165" SHAFT					
-	-	-	S	800550	VRS1	2.953	2.961	.315			
-	-	-	V	800554	VRS1	75,00	75,20	10,00	V	*55X75X10V★	35
-	-	.787		99215	Redi-Sleeve	2.953	2.961	.394			
55,00mm (2.165") SHAFT						2.165" SHAFT					
-	-	-	S	800550	VRS1	75,00	75,35	10,00	S	55X75X10★	35
-	-	-	V	800554	VRS1	2.953	2.967	.394			
-	-	.787		99215	Redi-Sleeve	75,00	75,35	10,00	S	225545★	35
55,00mm (2.165") SHAFT						2.165" SHAFT					
-	-	-	S	800550	VRS1	2.953	2.967	.394			
-	-	-	V	800554	VRS1	75,75	76,00	12,00	S	*55X76X12★	32
-	-	.787		99215	Redi-Sleeve	2.982	2.992	.472			
55,00mm (2.165") SHAFT						2.165" SHAFT					
-	-	-	S	800550	VRS1	77,72	78,00	9,00	S	*55X78X9★	32
-	-	-	V	800554	VRS1	3.060	3.071	.354			
-	-	.787		99215	Redi-Sleeve	77,72	78,00	12,00	S	*55X78X12★	32
55,00mm (2.165") SHAFT						2.165" SHAFT					
-	-	-	S	800550	VRS1	3.060	3.071	.472			

For Illustration and Material Data See Technical Section

Designed For A Specific Application - Not Recommended For General Use ➔ Hydrodynamic Lip Design-CW & Flanged O.D.

* The U.S. customer service number is 877-4-TIMKEN. The Canadian customer service numbers are 800-565-4927 (English) and 800-565-0438 (French-Canadian). ★ Metric Seal

Size Section

Hsg. Bore	Seal O.D.	Seal Width	Lip Mat'l	Part No.	Type/ Illus.	Hsg. Bore	Seal O.D.	Seal Width	Lip Mat'l	Part No.	Type/ Illus.
55,00mm (2.165") SHAFT (cont.)						2.187" (2-3/16") SHAFT (cont.)					
78,00	78,28	10,00	S	55X78X10★	32	2.835	2.839	.468	S	471952	47
3.071	3.082	.394				2.835	2.839	.468	S	*481952	48
79,72	80,00	10,00	S	*55X80X10★	32	2.875	2.879	.375	S	*413244	41
3.139	3.150	.394				2.875	2.879	.375	N	*413244N	41
79,72	80,00	12,00	S	*55X80X12★	32	2.875	2.879	.375	S	*453244	45
3.139	3.150	.472				2.875	2.879	.375	S	473244	47
80,00	80,20	8,00	V	*55X80X8V★	35	2.875	2.879	.375	S	*483244	48
3.150	3.157	.315				2.875	2.879	.437	S	*411953	41
80,00	80,28	8,00	S	55X80X8★	32	2.875	2.879	.437	N	*411953N	41
3.150	3.161	.315				2.875	2.879	.437	S	*451953	45
81,72	82,00	9,00	S	*55X82X9★	32	2.875	2.879	.437	S	*471953	47
3.217	3.228	.354				2.875	2.879	.437	S	*481953	48
82,00	82,30	12,00	S	55X82X12★	32	2.875	2.879	.468	S	*410489	41
3.228	3.240	.472				2.875	2.879	.468	S	450489	45
82,00	82,30	10,00	S	1958★	35	2.875	2.879	.468	S	*470489	47
3.228	3.240	.472				2.875	2.879	.468	S	*480489	48
84,72	85,00	12,00	S	*55X85X12★	32	2.875	2.883	.500	S	*712136	32
3.335	3.346	.472				2.996	3.001	.375	S	472234	47
84,72	85,00	14,00	S	*55X85X14★	32	2.996	3.001	.437	S	*412017	41
3.335	3.346	.551				2.996	3.001	.437	S	*452017	45
85,00	85,20	8,00	S	55X85X8★	32	2.996	3.001	.437	S	*472017	47
3.346	3.354	.315				2.996	3.001	.437	S	*482017	48
85,00	85,31	10,00	S	55X85X10★	32	2.996	3.001	.500	S	*410139	41
3.346	3.359	.394				2.996	3.001	.500	S	*450139	45
88,00	88,20	8,00	S	55X88X8★↔	32	2.996	3.001	.500	S	*470139	47
3.465	3.472	.315				2.996	3.001	.500	S	*480139	48
88,00	88,20	8,00	S	*55X88X10★	32	3.000	3.005	.375	S	*412018	41
3.465	3.472	.315				3.000	3.005	.375	S	*452018	45
89,72	90,00	8,00	S	*55X90X8★	32	3.000	3.005	.375	S	472018	47
3.532	3.543	.315				3.000	3.005	.375	N	*472018N	47
89,72	90,00	10,00	S	*55X90X10★	32	3.000	3.005	.375	V	*472018V	47
3.532	3.543	.394				3.000	3.005	.375	S	*482018	48
90,00	90,27	8,00	S	55X90X8★	32	3.000	3.005	.437	S	*450718	45
3.543	3.554	.315				3.000	3.005	.500	S	*411338	41
90,00	90,28	13,00	S	55X90X13★	32	3.000	3.005	.500	S	*451338	45
3.543	3.554	.512				3.000	3.005	.500	S	*471338	47
95,00	95,20	8,00	S	*55X95X8★	32	3.000	3.005	.500	S	*481338	48
3.740	3.748	.315				3.062	3.066	.375	S	473471	47
99,72	100,00	10,00	S	*55X100X10★	32	3.062	3.066	.500	S	*412019	41
3.926	3.937	.394				3.062	3.066	.500	S	*452019	45
99,72	100,00	12,00	S	*55X100X12★	32	3.062	3.066	.500	S	*472019	47
3.926	3.937	.472				3.062	3.066	.500	S	*482019	48
100,00	100,30	12,70	S	55X100X13★	45	3.125	3.130	.375	S	*412020	41
3.937	3.949	.500				3.125	3.130	.375	S	*452020	45
101,68	101,80	11,10	V	*477674V★	47	3.125	3.130	.375	S	472020	47
4.003	4.008	.437				3.125	3.130	.375	S	*482020	48
2.172" SHAFT						3.125	3.130	.500	S	*410681	41
-	-	-	S	800550	VRS1	3.125	3.130	.500	S	*450681	45
-	-	-	V	800554	VRS1	3.125	3.130	.500	N	*450681N	45
2.426	3.000	.485	S	*9195S	#	3.125	3.130	.500	S	*470681	47
3.125	3.130	.675	N	710413	#	3.125	3.130	.500	S	*480681	48
3.345	3.350	.500	S	*482435	48	3.187	3.194	.687	S	6636S	35
2.180" SHAFT						3.189	3.194	.375	S	*472940	47
-	-	-	S	800550	VRS1	3.189	3.194	.437	S	*410354	41
-	-	-	V	800554	VRS1	3.189	3.194	.437	S	*450354	45
2.999	3.004	.250	S	4740	282	3.189	3.194	.437	S	470354	47
3.000	3.005	.495	S	8974S	49	3.189	3.194	.718	L	6186	1L
3.190	3.194	.620	S	3103↔	69	3.190	3.195	.625	S	*474007	47
3.190	3.194	.620	V	713103↔	69	3.251	3.256	.375	S	*413245	41
2.187" (2-3/16") SHAFT						3.251	3.256	.375	S	*453245	45
-	-	-	S	800550	VRS1	3.251	3.256	.375	S	473245	47
-	-	-	V	800554	VRS1	3.251	3.256	.375	S	*483245	48
-	-	.781		99218	Redi-Sleeve	3.251	3.256	.500	S	*410315	41
2.835	2.839	.281	S	*42127S	4S	3.251	3.256	.500	N	*410315N	41
2.835	2.839	.468	S	*411952	41	3.251	3.256	.500	S	*450315	45
2.835	2.839	.468	S	*451952	45	3.251	3.256	.500	S	*470315	47
						3.251	3.256	.500	S	*480315	48
						3.350	3.355	.375	S	412943	41
						3.350	3.355	.468	S	*410098	41
						3.350	3.355	.468	S	*450098	45
						3.350	3.355	.468	S	*470098	47

For Illustration and Material Data See Technical Section

Designed For A Specific Application - Not Recommended For General Use ↗ Hydrodynamic Lip Design-CW ↔ Hydrodynamic Lip Design-Bidirectional

* The U.S. customer service number is 877-4-TIMKEN. The Canadian customer service numbers are 800-565-4927 (English) and 800-565-0438 (French-Canadian). ★ Metric Seal

Hsg. Bore	Seal O.D.	Seal Width	Lip Mat'l	Part No.	Type/ Illus.	Hsg. Bore	Seal O.D.	Seal Width	Lip Mat'l	Part No.	Type/ Illus.
2.187" (2-3/16") SHAFT (cont.)						56,00mm (2.205") SHAFT (cont.)					
3.350	3.355	.468	S	*480098	48	71,75	72,00	9,00	S	*56X72X9★	32
3.350	3.355	.500	S	*452604	45	2.825	2.835	.354			
3.371	3.376	.375	S	*413472	41	72,00	72,20	7,00	S	56X72X7★	32
3.371	3.376	.468	S	*412035	41	2.835	2.843	.276			
3.371	3.376	.468	S	*452035	45	72,00	72,20	8,00	S	710393★	#
3.371	3.376	.468	S	*472035	47	2.835	2.843	.315			
3.371	3.376	.468	S	*482035	48	72,00	72,27	12,50	S	225227★	#
3.500	3.505	.375	S	*416268	41	2.835	2.845	.492			
3.500	3.505	.375	S	*476268	47	72,00	72,29	11,50	S	225650★↔	32
3.500	3.505	.375	S	*486268	48	2.835	2.846	.453			
3.500	3.505	.500	S	*415636	41	72,00	72,40	11,50	S	56X72X11.5★	35
3.500	3.505	.500	S	*455636	45	2.835	2.850	.453			
3.500	3.505	.500	S	*475636	47	72,00	72,40	11,50	S	56X72X11.5★	35
3.500	3.505	.500	S	*485636	48	2.835	2.850	.453			
3.543	3.548	.500	S	*416269	41	72,75	73,00	10,00	S	*56X73X10★	32
3.543	3.548	.500	S	*456269	45	2.864	2.874	.394			
3.623	3.628	.468	S	*415350	41	73,00	73,23	7,50	S	225673★	#
3.623	3.628	.468	S	*455350	45	2.874	2.883	.295			
3.623	3.628	.468	S	*475350	47	73,00	73,23	22,00	S	712938★	#
3.623	3.628	.468	S	*485350	48	2.874	2.883	.866			
4.420	4.520	.687	S	*6309	39	73,00	73,28	12,50	S	1993★	47
5.118	5.124	.375	S	476511	47	2.874	2.885	.492			
2.192" SHAFT						74,00	74,14	8,50	S	710176★	87
-	-	-	S	800550	VRS1	2.913	2.919	.335			
-	-	-	V	800554	VRS1	74,00	74,20	8,00	S	710125★	#
-	-	.781		*99218	Redi-Sleeve	2.913	2.921	.315			
-	3.437	.703	S	*6922	#	75,00	75,13	6,50	S	4899★	66
2.200" SHAFT						2.953	2.958	.256			
-	-	-	S	800550	VRS1	75,00	75,20	7,00	S	56X75X7★	32
-	-	-	V	800554	VRS1	2.953	2.961	.276			
-	-	.500		*99220	Redi-Sleeve	75,00	75,33	8,00	S	225775★	#
2.804	-	.300	N	710171	#	2.953	2.966	.315			
3.022	3.028	.422	N	4741↔	#	75,75	76,00	8,00	S	*56X76X8★	32
2.201" SHAFT						2.982	2.992	.315			
-	-	-	S	800550	VRS1	76,00	76,12	12,30	S	710108★	66
-	-	-	V	800554	VRS1	2.992	2.997	.484			
-	-	.500		*99220	Redi-Sleeve	76,00	76,15	11,50	S	*4905★	72
2.735	2.741	.197	S	3553&	284	2.992	2.998	.453			
2.735	2.741	.197	S	*3948	#	76,00	76,15	11,50	S	710146★	72
2.830	2.836	.450	S	710069&	#	2.992	2.998	.453			
3.519	3.523	.590	S	2286	74	78,00	78,20	8,00	S	*56X78X8★	32
56,00mm (2.205") SHAFT						3.071	3.079	.315			
-	-	-	S	800550	VRS1	78,00	78,28	7,50	S	225678★	#
-	-	-	V	800554	VRS1	3.071	3.082	.295			
-	-	.500		*99220	Redi-Sleeve	79,72	80,00	10,00	S	*56X80X10★	32
66,00	66,20	17,00	S	710382★	#	3.139	3.150	.394			
2.598	2.606	.669	S	710169★	#	79,72	80,00	13,00	S	*56X80X13★	32
67,00	67,20	6,00	S	710169★	#	3.139	3.150	.512			
2.638	2.646	.236				80,00	80,28	8,00	S	56X80X8★	32
68,00	68,12	10,00	N	56X68X10★	32	3.150	3.161	.315			
2.677	2.682	.394				82,00	82,20	8,00	S	56X82X8★	32
68,00	68,28	10,00	S	1932★	49	3.228	3.236	.315			
2.677	2.688	.394				84,72	85,00	10,00	S	*56X85X10★	32
69,75	70,00	9,00	S	*56X70X9★	32	3.335	3.346	.394			
2.746	2.756	.354				85,00	85,28	8,00	S	56X85X8★	35
70,00	70,20	8,00	S	56X70X8★	35	3.346	3.357	.315			
2.756	2.764	.315				88,00	88,20	8,00	S	56X88X8★	32
70,00	70,20	8,00	V	*56X70X8V★	35	3.465	3.472	.315			
2.756	2.764	.315				90,00	90,20	8,00	S	56X90X8★	32
71,75	72,00	8,00	S	*56X72X8★	32	3.543	3.551	.315			
2.825	2.835	.315				122,00	122,25	8,00	S	710086★	#
2.218" (2-7/32") SHAFT						4.803	4.813	.315			
-	-	-	S	800550	VRS1	2.222" SHAFT					
-	-	-	V	800554	VRS1	-	-	-	S	800550	VRS1
3.350	3.355	.468	L	50631	5L						

For Illustration and Material Data See Technical Section

Designed For A Specific Application - Not Recommended For General Use ↔ Hydrodynamic Lip Design-CCW ↔ Hydrodynamic Lip Design-Bidirectional & Flanged O.D.

* The U.S. customer service number is 877-4-TIMKEN. The Canadian customer service numbers are 800-565-4927 (English) and 800-565-0438 (French-Canadian). ★ Metric Seal

Size Section

Hsg. Bore	Seal O.D.	Seal Width	Lip Mat'l	Part No.	Type/ Illus.	Hsg. Bore	Seal O.D.	Seal Width	Lip Mat'l	Part No.	Type/ Illus.
2.222" SHAFT (cont.)						2.250" (2-1/4") SHAFT (cont.)					
-	-	-	V	800554	VRS1	2.675	2.733	.539	S	722109	VRS1
3.543	3.548	.760	H	7568	#	2.750	-	.250	U	710026	#
2.231" SHAFT						2.750	-	.375	U	710041	#
-	-	-	S	800550	VRS1	2.873	2.877	.312	S	*481336	48
-	-	-	V	800554	VRS1	2.875	2.879	.250	S	43034S	4S
-	-	.500		*99229	Redi-Sleeve	2.875	2.879	.500	S	*453613	45
-	-	.781		99230	Redi-Sleeve	2.987	2.991	.500	S	*411452	41
3.017	2.974	.070	S	*8730	#	2.996	3.001	.437	S	*411341	41
3.371	3.376	.812	S	*392076	#	2.996	3.001	.437	N	*411341N	41
2.240" SHAFT						2.996	3.001	.437	S	*451341	45
-	-	-	S	800550	VRS1	2.996	3.001	.437	H	*451341H	45
-	-	-	V	800554	VRS1	2.996	3.001	.437	S	*471341	47
-	-	.764		99226	Redi-Sleeve	2.996	3.001	.437	H	*471341H	47
3.190	3.194	.450	S	3095➔	69	2.996	3.001	.500	S	*410441	41
57,00mm (2.244") SHAFT						2.996	3.001	.500	N	*410441N	41
-	-	-	S	800550	VRS1	2.996	3.001	.500	S	450441	45
-	-	-	V	800554	VRS1	2.996	3.001	.500	N	*450441N	45
57,12	82,55	7,47	S	*7068★%	200E	2.996	3.001	.500	N	*450441N	45
2.249	3.250	.294				2.996	3.001	.500	S	*470441	47
66,75	67,00	6,00	S	*57X67X6★	32	2.996	3.001	.500	V	*470441V	47
2.628	2.638	.236				2.996	3.001	.500	S	*480441	48
67,00	67,11	6,00	S	1984★	25	3.000	3.005	.250	S	40520S	4S
2.638	2.642	.236				3.000	3.005	.375	S	*411272	41
67,00	67,11	6,00	S	*253752★	25	3.000	3.005	.375	S	*451272	45
2.638	2.642	.236				3.000	3.005	.375	S	*471272	47
72,00	72,25	8,40	S	1964★	47	3.000	3.005	.375	H	*471272H	47
2.835	2.844	.331				3.000	3.005	.375	N	471272N	47
74,75	75,00	12,00	S	*57X75X12★	32	3.000	3.005	.375	V	471272V	47
2.943	2.953	.472				3.000	3.005	.375	S	*481272	48
77,00	77,20	8,00	S	710129★	#	3.000	3.005	.375	N	*481272N	48
3.031	3.039	.315				3.000	3.005	.375	V	712250	47
79,00	79,28	13,50	S	710072★	#	3.000	3.005	.438	V	483323V	48
3.110	3.121	.531				3.000	3.005	.500	S	410520	41
79,00	79,28	14,98	S	710074★	#	3.000	3.005	.500	N	*410520N	41
3.110	3.121	.590				3.000	3.005	.500	S	*450520	45
79,72	80,00	12,00	S	*57X80X12★	32	3.000	3.005	.500	N	*450520N	45
3.139	3.150	.472				3.000	3.005	.500	S	*470520	47
80,00	80,10	8,00	S	710225★	#	3.000	3.005	.500	N	*470520N	47
3.150	3.154	.315				3.000	3.005	.500	S	*480520	48
81,00	81,10	9,00	S	1928★	47	3.000	3.060	.290	S	*200940%	200E
3.189	3.193	.354				3.035	3.044	.375	S	352637	35
81,00	81,20	8,00	S	*57X81X8★	32	3.061	3.066	.375	S	*473473	47
3.189	3.197	.315				3.061	3.066	.437	F	*6082	29
82,22	82,50	10,00	S	*57X82.5X10★	32	3.061	3.066	.500	N	7937N	41
3.237	3.248	.394				3.061	3.066	.500	S	*411234	41
84,72	85,00	10,00	S	*57X85X10★	32	3.061	3.066	.500	N	*411234N	41
3.335	3.346	.394				3.061	3.066	.500	S	*451234	45
84,72	85,00	12,00	S	*57X85X12★	32	3.061	3.066	.500	S	*481234	48
3.335	3.346	.472				3.125	3.130	.250	S	40433S	4S
84,72	85,00	15,00	S	*57X85X15★	32	3.125	3.130	.375	S	*411138	41
3.335	3.346	.591				3.125	3.130	.375	S	*451138	45
85,00	85,20	13,00	S	57X85X13★	32	3.125	3.130	.375	S	*471138	47
3.346	3.354	.512				3.125	3.130	.375	S	*481138	48
92,00	92,20	8,00	S	*57X92X8★	32	3.125	3.130	.375	H	*481138H	48
3.622	3.630	.315				3.125	3.130	.375	N	*481138N	48
2.250" (2-1/4") SHAFT						3.125	3.130	.500	S	*410433	41
-	-	-	S	800550	VRS1	3.125	3.130	.500	S	*450433	45
-	-	-	V	800554	VRS1	3.125	3.130	.500	N	*450433N	45
-	-	.313		99227	Redi-Sleeve	3.125	3.130	.500	S	*470433	47
-	-	.781		99225	Redi-Sleeve	3.125	3.130	.500	S	*480433	48
-	2.840	.500	S	710045	VRS1	3.189	3.194	.375	S	*472916	47
2.625	2.636	.187	S	341022	34	3.189	3.194	.375	S	*482916	48
						3.189	3.194	.437	S	*50737	5S
						3.189	3.194	.437	S	*410737	41
						3.189	3.194	.437	S	450737	45
						3.189	3.194	.437	N	*450737N	45
						3.189	3.194	.437	S	470737	47
						3.189	3.194	.437	N	470737N	47
						3.189	3.194	.437	S	*480737	48
						3.249	3.250	.285	S	200763%	200E
						3.250	3.256	.625	S	*8571	#
						3.251	3.256	.250	S	40316S	4S

For Illustration and Material Data See Technical Section

Designed For A Specific Application - Not Recommended For General Use ➔ Hydrodynamic Lip Design-CW % External Bore

* The U.S. customer service number is 877-4-TIMKEN. The Canadian customer service numbers are 800-565-4927 (English) and 800-565-0438 (French-Canadian). ★ Metric Seal

Hsg. Bore	Seal O.D.	Seal Width	Lip Mat'l	Part No.	Type/ Illus.	Hsg. Bore	Seal O.D.	Seal Width	Lip Mat'l	Part No.	Type/ Illus.
2.250" (2-1/4") SHAFT (cont.)						2.254" SHAFT					
3.251	3.256	.375	S	*452636	45	2.756	2.763	.340	V	481191V	48
3.251	3.256	.375	S	*472636	47	2.255" SHAFT					
3.251	3.256	.375	V	*472636V	47	-	-	-	S	800550	VRS1
3.251	3.256	.375	S	*482636	48	-	-	-	V	800554	VRS1
3.251	3.256	.437	S	*410614	41	-	-	.313		99227	Redi-Sleeve
3.251	3.256	.437	N	*410614N	41	-	-	.781		99225	Redi-Sleeve
3.251	3.256	.437	S	*450614	45	3.312	3.317	.380	S	44052	4S
3.251	3.256	.500	S	410316	41	2.258" SHAFT					
3.251	3.256	.500	H	*410316H	41	-	-	-	S	800550	VRS1
3.251	3.256	.500	N	410316N	41	-	-	-	V	800554	VRS1
3.251	3.256	.500	S	450316	45	3.906	3.950	.250	S	*8754S	#
3.251	3.256	.500	H	*450316H	45	2.272" SHAFT					
3.251	3.256	.500	N	*450316N	45	-	-	-	S	800550	VRS1
3.251	3.256	.500	S	*470316	47	-	-	-	V	800554	VRS1
3.251	3.256	.500	S	*480316	48	2.654	2.661	.250	T	39821	W
3.251	3.256	.500	S	*480316N	48	58,00mm (2.283") SHAFT					
3.252	3.260	.551	N	712512◀	#	-	-	-	S	800550	VRS1
3.264	3.269	.312	F	*292100	29	-	-	-	V	800554	VRS1
3.350	3.355	.250	S	*42289	4S	67,75	68,00	9,00	S	*58X68X9★	32
3.350	3.355	.312	N	454136N	45	2.667	2.677	.354			
3.350	3.355	.375	S	*411253	41	69,75	70,00	7,00	S	*58X70X7★	32
3.350	3.355	.468	L	*50099	5L	2.746	2.756	.276			
3.350	3.355	.468	S	*50099S	5S	69,75	70,00	11,00	S	*58X70X11★	32
3.350	3.355	.468	S	*410099	41	2.746	2.756	.433			
3.350	3.355	.468	N	*410099N	41	71,75	72,00	9,00	S	*58X72X9★	32
3.350	3.355	.468	S	450099	45	2.825	2.835	.354			
3.350	3.355	.468	S	*480099	48	71,75	72,00	10,00	S	*58X72X10★	32
3.350	3.355	.500	S	*456622	45	2.825	2.835	.394			
3.371	3.376	.375	S	*412920	41	72,00	72,18	8,00	S	225872★	33
3.371	3.376	.375	V	*412920V	41	2.835	2.842	.315			
3.371	3.376	.375	S	442109	44	72,00	72,20	8,00	V	*58X72X8V★	35
3.371	3.376	.375	S	*452920	45	2.835	2.843	.315			
3.371	3.376	.375	S	*472920	47	72,00	72,28	8,00	S	58X72X8★	32
3.371	3.376	.375	S	*482920	48	2.835	2.846	.315			
3.371	3.376	.468	S	*410132	41	73,00	73,10	8,50	S	710439★	#
3.371	3.376	.468	S	450132	45	2.874	2.878	.335			
3.371	3.376	.468	S	*470132	47	73,75	74,00	10,00	S	*58X74X10★	32
3.371	3.376	.468	S	*480132	48	2.903	2.913	.394			
3.371	3.376	.468	N	*480132N	48	74,00	74,12	13,00	N	225874★	101
3.371	3.376	.500	S	*442270	44	2.913	2.918	.512			
3.372	3.377	.475	S	370219A	12	74,00	74,20	10,00	S	710271★◀	32
3.400	3.700	.280	S	200929%	200E	2.913	2.921	.394			
3.443	3.447	.250	S	41075S	4S	74,75	75,00	9,00	S	*58X75X9★	32
3.481	3.486	.500	S	455136	45	2.943	2.953	.354			
3.500	3.505	.250	S	*42587S	4S	74,75	75,00	10,00	S	*58X75X10★	32
3.500	3.505	.375	S	*411376	41	2.943	2.953	.394			
3.500	3.505	.375	S	*471376	47	74,75	75,00	12,00	S	*58X75X12★	32
3.500	3.505	.500	S	*415093	41	2.943	2.953	.472			
3.500	3.505	.500	N	*415093N	41	75,00	75,10	9,00	S	710400★	47
3.500	3.505	.500	S	455093	45	2.953	2.957	.354			
3.500	3.505	.500	S	*475093	47	75,00	75,20	7,00	S	710136★	#
3.500	3.505	.500	S	*485093	48	2.953	2.961	.276			
3.543	3.548	.500	S	*416270	41	75,00	75,26	7,00	S	58X75X7★	32
3.623	3.628	.468	S	*415234	41	2.953	2.963	.276			
3.623	3.628	.468	S	*455234	45	75,00	75,28	11,00	S	58X75X11★	35
3.623	3.628	.468	S	*475234	47	2.953	2.964	.433			
3.623	3.628	.468	N	475234N	47	75,00	75,28	11,00	S	225875★	32
3.623	3.628	.468	S	*485234	48	2.953	2.964	.433			
3.623	3.628	.500	S	*456792	45	76,00	76,10	6,50	S	710183★	66
3.751	3.756	.500	S	*415259	41	2.992	2.996	.256			
3.751	3.756	.500	S	*455259	45	76,00	76,23	7,80	S	710230★	#
3.751	3.756	.500	S	*475259	47	2.992	3.001	.307			
3.751	3.756	.500	S	*485259	48	77,00	77,28	8,50	N	225877★	35
3.876	3.881	.468	L	55337	5L	3.031	3.043	.335			
4.003	4.008	.468	S	*415254	41						
4.003	4.008	.468	S	*455254	45						
4.003	4.008	.468	S	*475254	47						
4.010	4.015	.843	L	*5921	1L						
4.064	4.069	1.092	N	*4036N	90						
4.064	4.069	1.092	N	722250	90						

For Illustration and Material Data See Technical Section

Designed For A Specific Application - Not Recommended For General Use ◀ Hydrodynamic Lip Design-CCW % External Bore

* The U.S. customer service number is 877-4-TIMKEN. The Canadian customer service numbers are 800-565-4927 (English) and 800-565-0438 (French-Canadian). ★ Metric Seal

Size Section

Hsg. Bore	Seal O.D.	Seal Width	Lip Mat'l	Part No.	Type/ Illus.	Hsg. Bore	Seal O.D.	Seal Width	Lip Mat'l	Part No.	Type/ Illus.
58,00mm (2.283") SHAFT (cont.)						2.312" (2-5/16") SHAFT (cont.)					
77,72	78,00	9,00	S	*58X78X9★	32	3.125	3.130	.375	N	*472150N	47
3.060	3.071	.354				3.125	3.130	.375	V	*472150V	47
77,72	78,00	12,00	S	*58X78X12★	32	3.125	3.130	.500	S	*410551	41
3.060	3.071	.472				3.125	3.130	.500	S	*450551	45
78,00	78,20	8,00	S	*58X78X8★	32	3.125	3.135	.375	S	*712145	35
3.071	3.079	.315				3.251	3.256	.375	S	*411394	41
78,00	78,20	10,00	S	710144★◄	#	3.251	3.256	.375	S	*471394	47
3.071	3.079	.394				3.251	3.256	.437	S	*452152	45
79,72	80,00	9,00	S	*58X80X9★	32	3.251	3.256	.500	S	*50317	5S
3.139	3.150	.354				3.251	3.256	.500	S	*410317	41
79,72	80,00	10,00	S	*58X80X10★	32	3.251	3.256	.500	S	450317	45
3.139	3.150	.394				3.251	3.256	.500	N	*450317N	45
79,72	80,00	12,00	S	*58X80X12★	32	3.251	3.256	.500	S	*470317	47
3.139	3.150	.472				3.313	3.318	.375	L	5924	4L
79,72	80,00	13,00	S	*58X80X13★	32	3.350	3.355	.375	S	*410694	41
3.139	3.150	.512				3.350	3.355	.468	N	*410100N	41
80,00	80,20	8,00	V	*58X80X8V★	35	3.350	3.355	.468	S	*450100	45
3.150	3.157	.315				3.371	3.376	.468	S	*450133	45
80,00	80,28	8,00	S	225880★	32	3.500	3.505	.375	S	*416444	41
3.150	3.161	.315				3.500	3.505	.500	S	*415094	41
80,00	80,28	8,00	S	58X80X8★	32	3.500	3.505	.500	S	*455094	45
3.150	3.161	.315				3.500	3.505	.500	N	*455094N	45
80,14	80,24	9,53	S	493291★	49	3.543	3.548	.500	S	*455647	45
3.155	3.159	.375				3.751	3.756	.500	S	455321	45
80,98	81,18	6,35	S	*341119★	34	4.003	4.008	.468	S	*455267	45
3.188	3.196	.250				59,00mm (2.323") SHAFT					
81,72	82,00	12,00	S	*58X82X12★	32	-	-	-	S	800600	VRS1
3.217	3.228	.472				75,00	75,11	10,00	S	710168★	47
82,00	82,20	8,00	S	*58X82X8★	32	2.953	2.957	.394			
3.228	3.236	.315				78,30	78,55	8,00	S	710229★	40
84,72	85,00	8,00	S	*58X85X8★	32	3.083	3.093	.315			
3.335	3.346	.315				78,30	78,55	8,00	S	710231★	32
84,72	85,00	12,00	S	*58X85X12★	32	3.083	3.093	.315			
3.335	3.346	.472				100,00	100,28	10,00	N	710121★	#
85,00	85,25	13,00	S	58X85X13★	32	3.937	3.948	.394			
3.346	3.356	.512				2.324" SHAFT					
85,00	85,28	10,00	S	58X85X10★	35	.000	3.546	.591	S	710508	71
3.346	3.357	.394				2.325" SHAFT					
88,00	88,20	8,00	S	58X88X8★	32	-	-	-	S	800600	VRS1
3.465	3.472	.315				3.125	3.130	.313	S	710430&	#
90,00	90,28	10,00	S	58X90X10★	35	2.330" SHAFT					
3.543	3.554	.394				-	-	-	S	800600	VRS1
91,72	92,00	8,00	S	*58X92X8★	32	-	-	.750		99233	Redi-Sleeve
3.611	3.622	.315				2.997	3.001	.312	S	493637	49
103,00	103,20	11,00	N	710268★◄	40	3.000	3.005	.400	N	3945◄◄	48
4.055	4.063	.433				3.000	3.005	.400	N	*332271N	33
2.296" SHAFT						2.336" SHAFT					
-	-	-	S	800600	VRS1	-	-	-	S	800600	VRS1
3.148	3.153	.359	S	204035	204	3.408	3.402	.187	N	*9246N	25
3.148	3.153	.359	F	205035	205	2.359" SHAFT					
2.310" SHAFT						3.938	3.952	.575	V	370199A	09
-	-	-	S	800600	VRS1	60,00mm (2.362") SHAFT					
-	-	.781		99231	Redi-Sleeve	-	-	-	S	800600	VRS1
2.965	2.970	.250	S	*8120	#	-	-	.370		*99241	Redi-Sleeve
2.312" (2-5/16") SHAFT						-	-	.787		99235	Redi-Sleeve
-	-	-	S	800600	VRS1	69,75	70,00	10,00	S	*60X70X10★	32
-	-	.781		99231	Redi-Sleeve	2.746	2.756	.394			
3.000	3.004	.375	S	4131&	287	2.312" (2-5/16") SHAFT (cont.)					
3.000	3.005	.250	S	442874	44	3.125	3.130	.375	N	*472150N	47
3.000	3.005	.500	S	*411160	41	3.125	3.130	.375	V	*472150V	47
3.000	3.005	.500	N	*411160N	41	3.125	3.130	.500	S	*410551	41
3.000	3.005	.500	V	411160V	41	3.125	3.130	.500	S	*450551	45
3.000	3.005	.500	N	*451160N	45	3.125	3.135	.375	S	*712145	35
3.065	3.070	.281	S	43109S	4S	3.251	3.256	.375	S	*411394	41
3.125	3.130	.375	S	472150	47	3.251	3.256	.375	S	*471394	47

SIZE SECTION

For Illustration and Material Data See Technical Section

Designed For A Specific Application - Not Recommended For General Use ◄ Hydrodynamic Lip Design-CCW ◄◄ Hydrodynamic Lip Design-Bidirectional & Flanged O.D.

* The U.S. customer service number is 877-4-TIMKEN. The Canadian customer service numbers are 800-565-4927 (English) and 800-565-0438 (French-Canadian). ★ Metric Seal

Hsg. Bore	Seal O.D.	Seal Width	Lip Mat'l	Part No.	Type/ Illus.	Hsg. Bore	Seal O.D.	Seal Width	Lip Mat'l	Part No.	Type/ Illus.
60,00mm (2.362") SHAFT (cont.)						60,00mm (2.362") SHAFT (cont.)					
69,75	70,00	12,00	S	*60X70X12★	32	82,00	82,30	12,00	S	60X82X12★	35
2.746	2.756	.472				3.228	3.240	.472			
71,75	72,00	9,00	S	*60X72X9★	32	83,72	84,00	10,00	S	*60X84X10★	32
2.825	2.835	.354				3.296	3.307	.394			
71,75	72,00	10,00	S	*60X72X10★	32	84,72	85,00	6,00	S	*60X85X6★	32
2.825	2.835	.394				3.335	3.346	.236			
72,00	72,10	7,50	S	710379★	47	84,72	85,00	10,00	S	*60X85X10★	32
2.835	2.839	.295				3.335	3.346	.394			
72,00	72,28	8,00	S	60X72X8★	35	84,72	85,00	13,00	S	*60X85X13★	32
2.835	2.846	.315				3.335	3.346	.512			
73,75	74,00	10,00	S	*60X74X10★	32	85,00	85,20	8,00	V	*60X85X8V★	32
2.903	2.913	.394				3.346	3.354	.315			
74,00	74,10	10,00	V	226001★◄	25	85,00	85,20	12,00	S	60X85X12★	32
2.913	2.917	.394				3.346	3.354	.472			
74,75	75,00	9,00	S	*60X75X9★	32	85,00	85,28	8,00	S	60X85X8★	32
2.943	2.953	.354				3.346	3.357	.315			
74,75	75,00	10,00	S	*60X75X10★	32	85,50	85,70	7,00	H	*4599H★►	#
2.943	2.953	.394				3.366	3.374	.276			
74,75	75,00	12,00	S	*60X75X12★	32	85,72	86,00	10,00	S	*60X86X10★	32
2.943	2.953	.472				3.375	3.386	.394			
75,00	75,20	8,00	V	*60X75X8V★	32	86,00	86,10	7,00	S	710182★	66
2.953	2.961	.315				3.386	3.390	.276			
75,00	75,28	8,00	S	60X75X8★	32	88,00	88,20	8,00	S	*60X88X8★	32
2.953	2.964	.315				3.465	3.472	.315			
75,00	75,33	9,00	N	226015★◄	32	89,72	90,00	11,00	S	*60X90X11★	32
2.953	2.966	.354				3.532	3.543	.433			
75,00	75,50	10,00	T	712113★►	FW-H	89,72	90,00	12,00	S	*60X90X12★	32
2.953	2.972	.394				3.532	3.543	.472			
75,00	86,00	11,80	S	710093★	#	89,72	90,00	13,00	S	*60X90X13★	32
2.953	3.386	.465				3.532	3.543	.512			
75,75	76,00	9,00	S	*60X76X9★	32	90,00	90,25	8,00	S	60X90X8★	32
2.982	2.992	.354				3.543	3.553	.315			
76,72	77,00	12,00	S	*60X77X12★	32	90,00	90,25	22,00	S	1985★	#
3.020	3.031	.472				3.543	3.553	.866			
77,72	78,00	9,00	S	*60X78X9★	32	90,00	90,27	10,00	S	60X90X10★	35
3.060	3.071	.354				3.543	3.554	.394			
77,72	78,00	10,00	S	*60X78X10★	32	94,72	95,00	10,00	S	*60X95X10★	32
3.060	3.071	.394				3.729	3.740	.394			
78,00	78,20	8,00	S	*60X78X8★	32	94,72	95,00	12,00	S	*60X95X12★	32
3.071	3.079	.315				3.729	3.740	.472			
78,00	78,28	8,00	N	226018★	35	94,72	95,00	13,00	S	*60X95X13★	32
3.071	3.082	.315				3.729	3.740	.512			
79,22	79,50	10,00	S	*60X79.5X10★	32	95,00	95,20	8,00	S	60X95X8★	32
3.119	3.130	.394				3.740	3.748	.315			
79,72	80,00	9,00	S	*60X80X9★	32	99,72	100,00	13,00	S	*60X100X13★	32
3.139	3.150	.354				3.926	3.937	.512			
79,72	80,00	10,00	S	*60X80X10★	32	100,00	100,20	8,00	S	*60X100X8★	32
3.139	3.150	.394				3.937	3.945	.315			
79,72	80,00	12,00	S	*60X80X12★	32	100,00	100,20	10,00	N	60X100X10★◄►	32
3.139	3.150	.472				3.937	3.945	.394			
79,72	80,00	13,00	S	*60X80X13★	32	103,00	103,10	12,00	N	710276★◄►	40
3.139	3.150	.512				4.055	4.059	.472			
80,00	80,20	8,00	S	60X80X8★	32	103,72	104,00	12,00	S	*60X104X12★	32
3.150	3.157	.315				4.083	4.094	.472			
80,00	80,20	8,00	V	*60X80X8V★	32	105,00	105,20	8,00	S	*60X105X8★	32
3.150	3.157	.315				4.134	4.142	.315			
80,00	80,20	8,00	S	710333★◄	32	109,72	110,00	12,00	S	*60X110X12★	32
3.150	3.157	.315				4.320	4.331	.472			
80,00	80,29	8,00	S	226020★	35	110,00	110,20	8,00	S	60X110X8★	32
3.150	3.161	.315				4.331	4.339	.315			
81,72	82,00	9,00	S	*60X82X9★	32	2.367" SHAFT					
3.217	3.228	.354				-	-	-	S	800600	VRS1
82,00	82,20	7,00	S	60X82X7★	32	3.366	3.374	.257	V	4539V	75
3.228	3.236	.276				3.366	3.374	.257	H	*3765►	48
82,00	82,20	10,00	N	710390★►	32	3.366	3.374	.257	H	4539H►	75
3.228	3.236	.394				2.375" (2-3/8") SHAFT					
82,00	82,20	12,00	V	710350★►	#	-	-	-	S	800600	VRS1
3.228	3.236	.472				-	-	.526		99240	Redi-Sleeve
82,00	82,20	12,00	H	712006★◄	32						
3.228	3.236	.472									
82,00	82,28	12,00	S	2001★◄	32						
3.228	3.239	.472									

For Illustration and Material Data See Technical Section

Designed For A Specific Application - Not Recommended For General Use ► Hydrodynamic Lip Design-CW ◄ Hydrodynamic Lip Design-CCW

◄► Hydrodynamic Lip Design-Bidirectional

* The U.S. customer service number is 877-4-TIMKEN. The Canadian customer service numbers are 800-565-4927 (English) and 800-565-0438 (French-Canadian). ★ Metric Seal

Size Section

Hsg. Bore	Seal O.D.	Seal Width	Lip Mat'l	Part No.	Type/ Illus.	Hsg. Bore	Seal O.D.	Seal Width	Lip Mat'l	Part No.	Type/ Illus.
2.375" (2-3/8") SHAFT (cont.)						2.375" (2-3/8") SHAFT (cont.)					
-	-	.594		99238	Redi-Sleeve	3.350	3.355	.438	S	472856	47
-	-	.781		99236	Redi-Sleeve	3.350	3.355	.468	S	*410101	41
-	-	.781		99237	Redi-Sleeve	3.350	3.355	.468	N	410101N	41
2.873	2.877	.312	S	*253610	25	3.350	3.355	.468	S	*410101S	41
2.996	3.001	.500	S	470764	47	3.350	3.355	.468	V	*410101V	41
3.000	3.005	.250	S	41026S	4S	3.350	3.355	.468	H	*450101H	45
3.000	3.005	.375	S	473573	47	3.350	3.355	.468	N	*450101N	45
3.000	3.013	.394	T	5288◀	#	3.350	3.355	.468	S	*470101	47
3.000	3.013	.400	V	3393◀	32	3.350	3.355	.468	N	*470101N	47
3.061	3.066	.375	S	473474	47	3.350	3.355	.468	S	*480101	48
3.061	3.066	.500	S	*410988	41	3.350	3.355	.468	H	*480101H	48
3.061	3.066	.500	N	*410988N	41	3.350	3.355	.468	N	*480101N	48
3.061	3.066	.500	S	*450988	45	3.350	3.355	.625	N	*4155	#
3.061	3.066	.500	H	*450988H	45	3.350	3.355	.703	S	*474198	47
3.061	3.066	.500	N	*450988N	45	3.371	3.376	.375	S	413247	41
3.061	3.066	.500	V	*450988V	45	3.371	3.376	.375	S	*453247	45
3.061	3.066	.500	S	*470988	47	3.371	3.376	.375	S	*473247	47
3.061	3.066	.500	N	*470988N	47	3.371	3.376	.375	S	*483247	48
3.061	3.066	.500	S	*480988	48	3.371	3.376	.468	S	*50350	5S
3.061	3.066	.500	H	480988H	48	3.371	3.376	.468	S	*410350	41
3.061	3.066	.500	S	*42707S	4S	3.371	3.376	.468	S	450350	45
3.112	3.117	.250	S	*411178	41	3.371	3.376	.468	H	*450350H	45
3.125	3.130	.375	S	*410565	41	3.371	3.376	.468	N	*450350N	45
3.125	3.130	.375	N	*410565N	41	3.371	3.376	.468	S	*470350	47
3.125	3.130	.375	S	*450565	45	3.371	3.376	.468	S	*480350	48
3.125	3.130	.375	S	470565	47	3.471	3.616	.290	S	200855%	200E
3.125	3.130	.375	N	*470565N	47	3.481	3.486	.437	S	410987	41
3.125	3.130	.375	V	*470565V	47	3.481	3.486	.500	S	470987	47
3.125	3.130	.375	S	*480565	48	3.481	3.486	.500	S	*50103	5S
3.125	3.130	.500	S	*410552	41	3.481	3.486	.500	S	*410103	41
3.125	3.130	.500	N	*410552N	41	3.481	3.486	.500	S	450103	45
3.125	3.130	.500	S	*450552	45	3.481	3.486	.663	L	*6214	3L
3.125	3.130	.500	N	*450552N	45	3.483	3.488	.500	N	410686N	41
3.125	3.130	.500	S	*470552	47	3.483	3.488	.500	N	410686N	41
3.125	3.130	.500	H	*470552H	47	3.483	3.488	.500	S	450686	45
3.125	3.130	.500	N	*470552N	47	3.500	3.505	.375	A	416271	41
3.125	3.130	.500	S	*480552	48	3.500	3.505	.375	N	416271A	41
3.125	3.138	.500	V	*320552V	32	3.500	3.505	.375	S	*416271N	41
3.189	3.194	.375	S	473475	47	3.500	3.505	.375	S	*456271	45
3.189	3.194	.437	S	*410320	41	3.500	3.505	.375	V	*456271V	45
3.189	3.194	.437	H	*410320H	41	3.500	3.505	.375	S	*476271	47
3.189	3.194	.437	N	*410320N	41	3.500	3.505	.375	S	*486271	48
3.189	3.194	.437	S	*450320	45	3.500	3.505	.500	S	*55095S	5S
3.189	3.194	.437	S	*470320	47	3.500	3.505	.500	S	*415095	41
3.189	3.194	.437	S	*480320	48	3.500	3.505	.500	N	*415095N	41
3.251	3.255	.375	N	413246N	41	3.500	3.505	.500	S	*455095	45
3.251	3.256	.375	S	413246	41	3.500	3.505	.500	S	*475095	47
3.251	3.256	.375	S	*453246	45	3.500	3.505	.500	N	475095N	47
3.251	3.256	.375	S	*473246	47	3.500	3.505	.500	S	*485095	48
3.251	3.256	.375	N	483246N▶	48	3.500	3.505	.703	S	*415971	41
3.251	3.256	.437	S	*412038	41	3.500	3.505	.703	H	*415971H	41
3.251	3.256	.437	N	412038N	41	3.500	3.505	.730	V	*3278	#
3.251	3.256	.437	S	*452038	45	3.543	3.548	.375	S	412861	41
3.251	3.256	.500	S	*410574	41	3.543	3.548	.500	S	*415248	41
3.251	3.256	.500	N	*410574N	41	3.543	3.548	.500	N	415248N	41
3.251	3.256	.500	S	*450574	45	3.601	3.606	.437	L	*55857	5L
3.251	3.256	.500	H	*450574H	45	3.601	3.606	.437	S	415857	41
3.251	3.256	.500	N	*450574N	45	3.623	3.628	.359	S	*55829	5S
3.251	3.256	.500	S	*470574	47	3.623	3.628	.375	S	410825	41
3.251	3.256	.500	N	470574N	47	3.623	3.628	.375	S	*470825	47
3.251	3.256	.500	S	*480574	48	3.623	3.628	.468	N	*415380N	41
3.251	3.256	.625	V	710210	74	3.623	3.628	.468	S	*455380	45
3.252	3.256	.500	H	480574H	48	3.623	3.628	.468	N	*455380N	45
3.265	3.270	.495	S	5119	49	3.623	3.628	.468	V	*455380V	45
3.266	3.270	.495	S	*492486	49	3.623	3.628	.468	S	*475380	47
3.350	3.355	.250	S	40101S	4S	3.623	3.628	.468	N	475380N	47
3.350	3.355	.250	S	442507	44	3.623	3.628	.500	S	*456472	45
3.350	3.355	.312	S	*454199	45	3.623	3.628	.500	N	456472N	45
3.350	3.355	.375	S	412119	41	3.750	3.755	.250	S	*47314S	4S
						3.750	3.756	.500	S	*455728	45

SIZE SECTION

For Illustration and Material Data See Technical Section

Designed For A Specific Application - Not Recommended For General Use ▶ Hydrodynamic Lip Design-CW ◀ Hydrodynamic Lip Design-CCW % External Bore

* The U.S. customer service number is 877-4-TIMKEN. The Canadian customer service numbers are 800-565-4927 (English) and 800-565-0438 (French-Canadian).

Size Section

Hsg. Bore	Seal O.D.	Seal Width	Lip Mat'l	Part No.	Type/ Illus.	Hsg. Bore	Seal O.D.	Seal Width	Lip Mat'l	Part No.	Type/ Illus.
62,00mm (2.441") SHAFT (cont.)						2.485" SHAFT					
92,00	92,20	8,00	S	62X92X8★	32	—	—	—	S	800650	VRS1
3.622	3.630	.315				—	—	—	V	800654	VRS1
94,72	95,00	12,00	S	*62X95X12★	32	3.165	—	.188	U	710042	#
3.729	3.740	.472				2.496" SHAFT					
99,72	100,00	10,00	S	*62X100X10★	32	—	—	—	S	800650	VRS1
3.926	3.937	.394				—	—	—	V	800654	VRS1
99,72	100,00	12,00	S	*62X100X12★	32	3.243	3.248	.420	S	*4101	#
3.926	3.937	.472				3.245	3.248	.485	S	5109	#
100,00	100,20	8,00	S	*62X100X8★	32	3.672	3.772	.315	S	200851%	200E
3.937	3.945	.315				3.715	3.745	.315	S	*200888%	200E
100,00	100,30	7,00	S	62X100X7★	32	2.500" (2-1/2") SHAFT					
3.937	3.949	.276				—	—	—	S	800650	VRS1
109,72	110,00	13,00	S	*62X110X13★	32	—	—	—	V	800654	VRS1
4.320	4.331	.512				—	—	.500		99248	Redi-Sleeve
2.468" SHAFT						—	—	.555		99253	Redi-Sleeve
—	—	—	S	800600	VRS1	—	—	.781		99250	Redi-Sleeve
3.236	3.241	.250	S	*42686	4S	—	5.371	1.343	S	*9014	#
3.350	3.355	.468	L	50560	5L	3.000	—	.313	U	710027	#
2.470" SHAFT						3.000	—	.313	U	*710033	#
—	—	—	S	800600	VRS1	3.000	—	.375	U	710034	#
3.063	3.187	.510	S	*5957S	273	3.000	3.005	.250	L	40555	4L
2.474" SHAFT						3.000	3.005	.250	S	40555S	4S
—	—	—	S	800600	VRS1	3.000	3.005	.250	S	43290S	4S
3.543	3.548	.285	S	6575S	200	3.125	3.130	.250	S	*313290	31
63,00mm (2.480") SHAFT						3.125	3.130	.250	N	*9946N	#
—	—	—	S	800600	VRS1	3.125	3.130	.547	T	39803	FW-H
—	—	—	S	800650	VRS1	3.130	3.135	.315	T	39803	FW-H
—	—	—	V	800654	VRS1	3.148	3.154	.250	S	40337S	4S
78,00	78,20	8,00	S	*63X78X8★	32	3.150	3.155	.315	N	473476	47
3.071	3.079	.315				3.189	3.194	.375	S	472029	47
79,72	80,00	9,00	S	*63X80X9★	32	3.189	3.194	.375	S	*482029	48
3.139	3.150	.354				3.189	3.194	.437	S	*450323	45
80,00	80,20	8,00	S	*63X80X8★	32	3.189	3.194	.437	V	*450323V	45
3.150	3.157	.315				3.226	3.231	.190	S	39428	284
82,00	82,20	8,00	S	*63X82X8★	32	3.247	3.252	.500	S	410752	41
3.228	3.236	.315				3.250	3.255	.375	U	710018	#
82,22	82,50	10,00	S	*63X82.5X10★	32	3.250	3.256	.437	H	*411509H	41
3.237	3.248	.394				3.250	3.256	.437	N	*411509N	41
84,07	84,23	12,70	F	6785★	35	3.250	3.256	.437	V	*411509V	41
3.310	3.316	.500				3.250	3.256	.437	S	*451509	45
84,72	85,00	12,00	S	*63X85X12★	32	3.250	3.256	.437	H	*451509H	45
3.335	3.346	.472				3.250	3.256	.437	S	*471509	47
85,00	85,27	7,00	S	63X85X7★	32	3.250	3.256	.437	V	*471509V	47
3.346	3.357	.276				3.250	3.256	.437	S	*481509	48
85,00	85,28	10,00	S	63X85X10★	32	3.250	3.256	.437	H	*481509H	48
3.346	3.357	.394				3.251	3.256	.250	S	*40519S	4S
87,72	88,00	12,00	S	*63X88X12★	32	3.251	3.256	.250	S	*442110	44
3.454	3.465	.472				3.251	3.256	.312	S	442380	44
88,00	88,20	8,00	S	*63X88X8★	32	3.251	3.256	.375	S	*411271	41
3.465	3.472	.315				3.251	3.256	.375	S	*451271	45
89,72	90,00	12,00	S	*63X90X12★	32	3.251	3.256	.375	S	471271	47
3.532	3.543	.472				3.251	3.256	.375	A	471271A	47
90,00	90,14	10,00	S	63X90X10★	32	3.251	3.256	.375	V	471271V	47
3.543	3.549	.394				3.251	3.256	.375	S	*481271	48
90,00	90,27	7,00	S	63X90X7★	32	3.251	3.256	.500	S	410519	41
3.543	3.554	.276				3.251	3.256	.500	S	450519	45
90,00	90,10	7,00	S	1935★	47	3.251	3.256	.500	H	*450519H	45
3.543	3.554	.276				3.251	3.256	.500	N	*450519N	45
99,72	100,00	10,00	S	*63X100X10★	32	3.251	3.256	.500	S	*470519	47
3.926	3.937	.394				3.251	3.256	.500	S	*470519N	47
99,72	100,00	13,00	S	*63X100X13★	32	3.251	3.256	.500	S	*480519	48
3.926	3.937	.512				3.251	3.256	.500	N	*480519N	48
						3.251	3.256	.500	V	*480519V	48
						3.303	3.307	.465	S	4250	74

SIZE SECTION

For Illustration and Material Data See Technical Section
 # Designed For A Specific Application - Not Recommended For General Use ➔ Hydrodynamic Lip Design-CW ⬅ Hydrodynamic Lip Design-Bidirectional % External Bore
 & Flanged O.D. * The U.S. customer service number is 877-4-TIMKEN. The Canadian customer service numbers are 800-565-4927 (English) and 800-565-0438 (French-Canadian).
 ★ Metric Seal

Hsg. Bore	Seal O.D.	Seal Width	Lip Mat'l	Part No.	Type/ Illus.	Hsg. Bore	Seal O.D.	Seal Width	Lip Mat'l	Part No.	Type/ Illus.
63,50mm (2.500") SHAFT						2.500" (2-1/2") SHAFT (cont.)					
84,72	85,00	12,00	S	*63.5X85X12★	32	3.751	3.756	.500	S	*415079	41
3.335	3.346	.472				3.751	3.756	.500	S	*455079	45
2.500" (2-1/2") SHAFT											
3.350	3.355	.250	S	*40496S	4S	3.751	3.756	.500	V	*455079V	45
3.350	3.355	.468	S	*410496	41	3.751	3.756	.500	S	*475079	47
3.350	3.355	.468	S	*450496	45	3.751	3.756	.500	S	*485079	48
3.350	3.355	.468	S	*470496	47	3.876	3.881	.375	S	*446631	44
3.350	3.355	.468	S	*480496	48	3.876	3.881	.468	N	*415082	41
3.350	3.355	.468	N	*480496N	48	3.876	3.881	.468	S	*455082	45
3.350	3.355	.718	S	*6860S	#	3.876	3.881	.468	S	*475082	47
3.371	3.376	.375	S	*410605	41	3.876	3.881	.468	S	*485082	48
3.371	3.376	.375	S	*450605	45	4.003	4.008	.468	S	*2108	45
3.371	3.376	.375	H	*450605H	45	4.003	4.008	.468	S	*415655	41
3.371	3.376	.375	S	*470605	47	4.003	4.008	.468	S	*455655	45
3.371	3.376	.375	S	*480605	48	4.003	4.008	.468	S	*475655	47
3.371	3.376	.468	S	*410330	41	4.003	4.008	.468	S	*485655	48
3.371	3.376	.468	N	*410330N	41	4.035	4.040	.634	V	4525V	87
3.371	3.376	.468	S	*450330	45	4.035	4.042	.492	V	100727	#
3.371	3.376	.468	H	*450330H	45	4.250	4.260	.500	S	355732	35
3.371	3.376	.468	S	*470330	47	4.500	6.125	.400	S	*7512S	51
3.371	3.376	.468	N	*470330N	47	4.500	6.125	.400	S	7512SSO	51
3.371	3.376	.468	S	*480330	48	4.938	4.943	.500	N	3136N◀▶	47
3.371	3.376	.468	N	*470330N	47	2.503" SHAFT					
3.371	3.376	.468	S	*480330	48	-	-	-	S	800650	VRS1
3.371	3.376	.500	L	80330%	8L	-	-	-	V	800654	VRS1
3.428	3.433	.375	N	*473274	47	-	-	.500		99248	Redi-Sleeve
3.428	3.433	.375	N	473274N	47	-	-	.555		99253	Redi-Sleeve
3.499	3.505	.500	V	3894V	48	-	-	.781		99250	Redi-Sleeve
3.500	3.504	.450	N	714670◀	47	3.428	3.439	.709	V	4561V◀	#
3.500	3.505	.250	S	444042	44	3.428	3.439	.800	V	*714561◀	#
3.500	3.505	.375	N	*415345N	41	3.500	3.504	.450	N	*4670N◀	#
3.500	3.505	.375	V	*415345V	41	3.629	3.633	.900	N	*4624N&	86
3.500	3.505	.375	S	*415449	41	3.629	3.633	.900	V	4624V&	86
3.500	3.505	.375	A	415449A	41	2.512" SHAFT					
3.500	3.505	.375	N	*415449N	41	-	-	-	S	800650	VRS1
3.500	3.505	.375	V	*415449V	41	-	-	-	V	800654	VRS1
3.500	3.505	.375	S	*455449	45	-	-	.781		*99251	Redi-Sleeve
3.500	3.505	.375	S	*475449	47	3.506	3.510	.290	S	8975S	49
3.500	3.505	.375	S	*485449	48	64,00mm (2.520") SHAFT					
3.500	3.505	.500	H	*2279▶	47	-	-	-	S	800650	VRS1
3.500	3.505	.500	H	7581H&	48	-	-	-	V	800654	VRS1
3.500	3.505	.500	S	415147	41	76,00	76,20	7,00	S	710256★	#
3.500	3.505	.500	N	415147N	41	2.992	3.000	.276			
3.500	3.505	.500	S	455147	45	77,00	77,20	8,00	S	710130★	#
3.500	3.505	.500	H	*455147H	45	3.031	3.039	.315			
3.500	3.505	.500	S	*455147N	45	79,72	80,00	12,00	S	*64X80X12★	32
3.500	3.505	.500	N	*475147N	47	3.139	3.150	.472			
3.500	3.505	.500	S	*485147	48	79,72	80,00	13,00	S	*64X80X13★	32
3.500	3.505	.540	S	*3707	47	3.139	3.150	.512			
3.500	3.505	.687	N	*7773N	#	80,00	80,20	8,00	H	226480★◀	33
3.500	3.510	.475	T	*712121	#	3.150	3.157	.315			
3.543	3.548	.500	S	*415001	41	80,00	80,28	8,00	S	64X80X8★	32
3.543	3.548	.500	N	415001N	41	3.150	3.161	.315			
3.543	3.548	.500	S	455001	45	84,72	85,00	10,00	S	*64X85X10★	32
3.543	3.548	.500	S	475001	47	3.335	3.346	.394			
3.543	3.548	.500	N	*475001N	47	84,72	85,00	12,00	S	*64X85X12★	32
3.543	3.548	.500	S	*485001	48	3.335	3.346	.472			
3.548	3.553	.546	N	*2643N	#	90,00	90,28	13,00	S	*64X90X13★	32
3.623	3.628	.375	V	416273V	41	3.543	3.554	.512			
3.623	3.628	.375	S	*416273	41	119,72	120,00	12,00	S	*64X120X12★	32
3.623	3.628	.375	S	*456273	45	4.713	4.724	.472			
3.623	3.628	.375	S	*476273	47	132,00	132,10	13,00	N	710277★	#
3.623	3.628	.375	S	*486273	48	5.197	5.201	.512			
3.623	3.628	.468	S	*415369	41	64,00mm (2.520") SHAFT					
3.623	3.628	.468	H	*415369H	41	-	-	-	S	800650	VRS1
3.623	3.628	.468	N	*415369N	41	-	-	-	V	800654	VRS1
3.623	3.628	.468	S	455369	45	76,00	76,20	7,00	S	710256★	#
3.623	3.628	.468	S	*475369	47	2.992	3.000	.276			
3.623	3.628	.468	N	*475369N	47	77,00	77,20	8,00	S	710130★	#
3.623	3.628	.468	S	*485369	48	3.031	3.039	.315			
3.750	3.759	.250	S	*345887	34	79,72	80,00	12,00	S	*64X80X12★	32

For Illustration and Material Data See Technical Section

Designed For A Specific Application - Not Recommended For General Use ▶ Hydrodynamic Lip Design-CW ◀ Hydrodynamic Lip Design-CCW

◀▶ Hydrodynamic Lip Design-Bidirectional % External Bore & Flanged O.D.

* The U.S. customer service number is 877-4-TIMKEN. The Canadian customer service numbers are 800-565-4927 (English) and 800-565-0438 (French-Canadian). ★ Metric Seal

Size Section

Hsg. Bore	Seal O.D.	Seal Width	Lip Mat'l	Part No.	Type/ Illus.	Hsg. Bore	Seal O.D.	Seal Width	Lip Mat'l	Part No.	Type/ Illus.
2.531" (2-17/32") SHAFT						65,00mm (2.559") SHAFT (cont.)					
-	-	-	S	800650	VRS1	89,72	90,00	12,00	S	* 65X90X12★	32
-	-	-	V	800654	VRS1	3.532	3.543	.472			
4.540	6.125	.500	S	7154S	#	90,00	90,20	7,00	S	65X90X7★	32
2.556" SHAFT											
-	-	-	S	800650	VRS1	3.543	3.551	.276			
-	-	-	V	800654	VRS1	90,00	90,20	10,00	V	* 65X90X10V★	32
-	-	.787		99254	Redi-Sleeve	3.543	3.551	.512			
3.937	3.942	.375	S	476514	47	90,00	90,28	10,00	S	226530★	35
65,00mm (2.559") SHAFT											
-	-	-	S	800650	VRS1	3.543	3.554	.394			
-	-	-	V	800654	VRS1	90,00	90,28	10,00	S	65X90X10★	32
-	-	.787		99254	Redi-Sleeve	94,72	95,00	10,00	S	* 65X95X10★	32
74,75	75,00	8,00	S	* 65X75X8★	32	3.729	3.740	.394			
2.943	2.953	.315				94,72	95,00	12,00	S	* 65X95X12★	32
74,75	75,00	10,00	S	* 65X75X10★	32	3.729	3.740	.472			
2.943	2.953	.394				94,72	95,00	13,00	S	* 65X95X13★	32
74,75	75,00	12,00	S	* 65X75X12★	32	3.729	3.740	.512			
2.943	2.953	.472				94,72	95,00	14,00	S	* 65X95X14★	32
77,72	78,00	12,00	S	* 65X78X12★	32	3.729	3.740	.551			
3.060	3.071	.472				95,00	95,20	7,00	S	* 65X95X7★	32
79,72	80,00	10,00	S	* 65X80X10★	32	3.740	3.748	.276			
3.139	3.150	.394				95,00	95,20	8,00	S	* 65X95X8★	32
79,72	80,00	12,00	S	* 65X80X12★	32	3.740	3.748	.315			
3.139	3.150	.472				99,72	100,00	9,50	S	* 65X100X9.5★	32
80,00	80,20	8,00	V	* 65X80X8V★	32	3.926	3.937	.374			
3.150	3.157	.315				99,72	100,00	12,00	S	* 65X100X12★	32
80,00	80,28	8,00	S	65X80X8★	32	3.926	3.937	.472			
3.150	3.161	.315				99,72	100,00	13,00	S	* 65X100X13★	32
81,00	81,28	7,00	N	226510★➔	32	3.926	3.937	.512			
3.189	3.200	.276				100,00	100,20	10,00	V	* 65X100X10V★	35
81,72	82,00	9,00	S	* 65X82X9★	32	3.937	3.945	.394			
3.217	3.228	.354				100,00	100,28	10,00	S	65X100X10★	35
81,72	82,00	12,00	S	* 65X82X12★	32	3.937	3.948	.394			
3.217	3.228	.472				100,00	100,30	7,00	S	65X100X7★	32
82,00	82,09	8,00	S	710094★	66	3.937	3.949	.276			
3.228	3.232	.315				101,72	102,00	13,00	S	* 65X102X13★	32
82,00	82,20	8,00	S	* 65X82X8★	32	4.005	4.016	.512			
3.228	3.236	.315				104,72	105,00	12,00	S	* 65X105X12★	32
84,00	84,30	9,00	H	712005★➔	32	4.123	4.134	.472			
3.307	3.319	.354				105,00	105,20	8,00	S	* 65X105X8★	32
84,72	85,00	12,00	S	* 65X85X12★	32	4.134	4.142	.315			
3.335	3.346	.472				109,72	110,00	10,00	S	* 65X110X10★	32
84,72	85,00	13,00	S	* 65X85X13★	32	4.320	4.331	.394			
3.335	3.346	.512				109,72	110,00	12,00	S	* 65X110X12★	32
85,00	85,10	10,00	S	710373★	47	4.320	4.331	.472			
3.346	3.350	.394				109,72	110,00	13,00	S	* 65X110X13★	32
85,00	85,20	8,00	V	* 65X85X8V★	35	4.320	4.331	.512			
3.346	3.354	.315				110,00	110,20	8,00	S	* 65X110X8★	32
85,00	85,27	10,00	S	226520★	35	4.331	4.339	.315			
3.346	3.357	.394				114,72	115,00	12,00	S	* 65X115X12★	32
85,00	85,27	10,00	S	65X85X10★	32	4.517	4.528	.472			
3.346	3.357	.394				114,72	115,00	13,00	S	* 65X115X13★	32
87,72	88,00	12,00	S	* 65X88X12★	32	4.517	4.528	.512			
3.454	3.465	.472				115,00	115,20	8,00	S	* 65X115X8★	32
87,72	88,00	13,00	S	* 65X88X13★	32	4.528	4.535	.315			
3.454	3.465	.512				119,72	120,00	13,00	S	* 65X120X13★	32
88,00	88,20	8,00	S	65X88X8★	35	4.713	4.724	.512			
3.465	3.472	.315				120,00	120,20	8,00	S	* 65X120X8★	32
88,00	88,20	10,00	S	65X88X10★	32	4.724	4.732	.315			
3.465	3.472	.394				139,70	140,00	14,00	S	* 65X140X14★	32
88,00	88,20	12,00	S	710367★➔	40	5.500	5.512	.551			
3.465	3.472	.472				2.561" SHAFT					
89,72	90,00	8,00	S	* 65X90X8★	32	.000	3.979	.532	S	710519	#
3.532	3.543	.315				2.562" (2-9/16") SHAFT					
-	-	-	S	800650	VRS1						
-	-	-	V	800654	VRS1						
-	-	.781		99256	Redi-Sleeve						

SIZE SECTION

For Illustration and Material Data See Technical Section

Designed For A Specific Application - Not Recommended For General Use ➔ Hydrodynamic Lip Design-CW

* The U.S. customer service number is 877-4-TIMKEN. The Canadian customer service numbers are 800-565-4927 (English) and 800-565-0438 (French-Canadian). ★ Metric Seal

Hsg. Bore	Seal O.D.	Seal Width	Lip Mat'l	Part No.	Type/ Illus.	Hsg. Bore	Seal O.D.	Seal Width	Lip Mat'l	Part No.	Type/ Illus.
2.562" (2-9/16") SHAFT (cont.)						2.625" (2-5/8") SHAFT (cont.)					
-	-	.787		99254	Redi-Sleeve	3.350	3.356	.468	S	*480329	48
3.090	3.095	.375	S	5123	280	3.350	3.356	.468	N	*480329N	48
3.371	3.376	.468	S	*470961	47	3.351	3.356	.500	S	*452624	45
3.481	3.486	.375	S	413479	41	3.371	3.376	.250	S	440511	44
3.481	3.486	.500	S	*450904	45	3.371	3.376	.375	S	*413248	41
3.500	3.505	.375	S	*415098	41	3.371	3.376	.375	S	*453248	45
3.500	3.505	.500	N	415098N	41	3.371	3.376	.375	S	*473248	47
3.500	3.505	.500	S	*455098	45	3.371	3.376	.375	S	*483248	48
3.500	3.505	.500	H	*455098H	45	3.371	3.376	.468	S	*410626	41
3.500	3.505	.500	N	*455098N	45	3.371	3.376	.468	N	*410626N	41
3.500	3.505	.500	S	*475098	47	3.371	3.376	.468	S	450626	45
3.543	3.548	.500	S	455311	45	3.371	3.376	.468	S	*480626	48
3.623	3.628	.375	S	*415988	41	3.374	3.379	.468	S	*410708	41
3.623	3.628	.468	S	*415002	41	3.375	3.390	.375	T	712101➔	FW-H
3.623	3.628	.468	H	*415002H	41	3.481	3.486	.500	S	*450412	45
3.623	3.628	.468	S	*455002	45	3.484	3.489	.250	S	43077S	4S
3.623	3.628	.468	S	*475002	47	3.500	3.505	.375	S	*415483	41
3.623	3.628	.468	N	*475002N	47	3.500	3.505	.375	S	*455483	45
3.623	3.628	.468	S	*485002	48	3.500	3.505	.375	S	*475483	47
3.623	3.628	.500	S	*456619	45	3.500	3.505	.375	S	*485483	48
3.624	3.629	.703	S	*415972	41	3.500	3.505	.500	S	*415368	41
3.727	3.777	.490	S	*9943%	Redi-Sleeve	3.500	3.505	.500	N	*415368N	41
3.750	3.756	.375	S	*417481	41	3.500	3.505	.500	S	455368	45
3.750	3.756	.500	S	*455244	45	3.500	3.505	.500	N	*455368N	45
3.751	3.756	.500	S	*415244	41	3.500	3.505	.500	N	*475368	47
3.751	3.756	.500	N	*415244N	41	3.500	3.505	.500	S	475368N	47
3.751	3.756	.500	H	*455244H	45	3.516	3.533	.394	T	712103➔	PDW
3.751	3.756	.500	N	*455244N	45	3.531	3.536	.812	S	*8561	2S
3.876	3.881	.468	S	*455280	45	3.543	3.548	.375	S	*417079	41
66,00mm (2.598") SHAFT						3.543	3.548	.500	S	*411475	41
-	-	-	S	800650	VRS1	3.543	3.548	.500	N	*411475N	41
-	-	-	V	800654	VRS1	3.543	3.548	.500	S	*451475	45
-	-	.781		99259	Redi-Sleeve	3.543	3.548	.500	S	*471475	47
80,00	80,11	9,00	N	226610★	41	3.543	3.548	.500	S	*481475	48
3.150	3.154	.354				3.623	3.628	.375	S	*415458	41
85,00	85,12	10,00	S	710092★	41	3.623	3.628	.375	A	415458A	41
3.346	3.351	.394				3.623	3.628	.375	V	*415458V	41
3.481	3.486	.500	S	411330	41	3.623	3.628	.375	S	*455458	45
3.481	3.486	.500	N	*411330N	41	3.623	3.628	.375	S	475458	47
3.999	4.004	.730	S	*2177	#	3.623	3.628	.375	V	*475458V	47
3.999	4.004	.780	S	712598	47	3.623	3.628	.375	S	*485458	48
4.000	4.005	.500	S	*477069	47	3.623	3.628	.468	V	*3440V	#
2.609" SHAFT						3.623	3.628	.468	S	415003	41
-	-	-	S	800650	VRS1	3.623	3.628	.468	N	*415003N	41
-	-	-	V	800654	VRS1	3.623	3.628	.468	V	*415003V	41
3.350	3.355	.375	S	*450725	45	3.623	3.628	.468	S	*455003	45
3.350	3.355	.375	H	*450725H	45	3.623	3.628	.468	N	*455003N	45
3.350	3.355	.375	N	*450725N	45	3.623	3.628	.468	S	*475003	47
2.625" (2-5/8") SHAFT						3.623	3.628	.468	N	*455003N	45
-	-	-	S	800650	VRS1	3.623	3.628	.468	S	485003	48
-	-	-	V	800654	VRS1	3.623	3.628	.468	V	*485003V	48
-	-	.500		99260	Redi-Sleeve	3.623	3.629	.500	S	*455911	45
-	-	.781		99262	Redi-Sleeve	3.625	3.630	.600	N	*3350	#
-	-	.781		*99264	Redi-Sleeve	3.660	3.960	.320	S	*200919%	200E
-	5.030	.200	S	*6405	#	3.695	3.700	.500	H	3813	64
3.251	3.256	.437	N	411143N	41	3.696	3.700	.500	T	41163T➔	FW-H
3.251	3.256	.437	S	*451143	45	3.749	3.755	.586	S	*8020S	41
3.251	3.256	.437	N	*471143N	47	3.751	3.756	.375	S	*417343	41
3.350	3.355	.375	S	*412871	41	3.751	3.756	.375	S	*457343	45
3.350	3.355	.453	F	*6081	29	3.751	3.756	.375	S	*477343	47
3.350	3.356	.468	S	450329	45	3.751	3.756	.375	S	*487343	48
3.350	3.356	.468	H	*450329H	45	3.751	3.756	.500	S	*415149	41
						3.751	3.756	.500	V	*415149V	41
						3.751	3.756	.500	S	*455149	45
						3.751	3.756	.500	S	*475149	47
						3.751	3.756	.500	N	*475149N	47
						3.751	3.756	.500	S	*485149	48
						3.751	3.756	.875	S	*75149S	7S
						3.813	3.818	.415	S	200392	200
						3.876	3.881	.437	S	*417483	41
						3.876	3.881	.468	S	*415007	41

For Illustration and Material Data See Technical Section

Designed For A Specific Application - Not Recommended For General Use ➔ Hydrodynamic Lip Design-CW % External Bore

* The U.S. customer service number is 877-4-TIMKEN. The Canadian customer service numbers are 800-565-4927 (English) and 800-565-0438 (French-Canadian). ★ Metric Seal

Size Section

Hsg. Bore	Seal O.D.	Seal Width	Lip Mat'l	Part No.	Type/ Illus.	Hsg. Bore	Seal O.D.	Seal Width	Lip Mat'l	Part No.	Type/ Illus.
2.625" (2-5/8") SHAFT (cont.)						68,00mm (2.677") SHAFT (cont.)					
3.876	3.881	.468	S	*455007	45	89,72	90,00	8,00	S	*68X90X8★	32
3.876	3.881	.468	S	*475007	47	3.532	3.543	.315			
3.876	3.881	.468	S	*485007	48	89,72	90,00	12,00	S	*68X90X12★	32
4.003	4.008	.375	S	*417082	41	3.532	3.543	.472			
4.003	4.008	.375	S	*487082	48	89,72	90,00	13,00	S	*68X90X13★	32
4.003	4.008	.468	S	*415296	41	3.532	3.543	.512			
4.003	4.008	.468	N	*415296N	41	90,00	90,10	12,00	S	710440★	47
4.003	4.008	.468	S	*455296	45	3.543	3.547	.472			
4.003	4.008	.468	S	*475296	47	90,00	90,15	10,00	T	712108★➔	FW-H
4.003	4.008	.468	S	*485296	48	3.543	3.549	.394			
4.064	4.069	.960	N	712625	90	90,00	90,20	7,00	S	68X90X7★	32
4.064	4.069	.990	N	*4037	#	3.543	3.551	.276			
4.249	4.254	.468	S	*416278	41	90,00	90,20	10,00	V	*68X90X10V★	32
4.252	4.256	1.156	S	*6982S	#	3.543	3.551	.394			
4.376	4.381	.500	V	*477586V	47	90,00	90,32	10,00	S	68X90X10★	32
4.437	4.441	.437	S	*418027	41	3.543	3.556	.394			
4.564	4.568	.718	N	9773&	74	94,72	95,00	13,00	S	*68X95X13★	32
2.634" SHAFT						68,00mm (2.677") SHAFT (cont.)					
-	-	-	S	800650	VRS1	3.729	3.740	.512			
-	-	-	V	800654	VRS1	95,00	95,20	8,00	S	*68X95X8★	32
3.937	3.942	.375	S	*487658	48	3.740	3.748	.315			
67,00mm (2.638") SHAFT						68,00mm (2.677") SHAFT (cont.)					
81,72	82,00	7,00	S	*67X82X7★	32	95,00	95,20	10,00	S	68X95X10★	35
3.217	3.228	.276				3.740	3.748	.394			
2.640" SHAFT						68,00mm (2.677") SHAFT (cont.)					
-	-	-	S	800650	VRS1	95,00	95,28	7,00	S	68X95X7★	32
-	-	-	V	800654	VRS1	3.740	3.751	.276			
4.450	4.490	.250	S	*6846S	#	95,00	95,30	13,00	V	226840★	#
2.648" SHAFT						68,00mm (2.677") SHAFT (cont.)					
-	-	-	S	800650	VRS1	3.740	3.752	.512			
-	-	-	V	800654	VRS1	97,72	98,00	10,00	S	*68X98X10★	32
3.812	3.817	.500	S	486857	48	3.847	3.858	.394			
2.667" SHAFT						68,00mm (2.677") SHAFT (cont.)					
-	-	-	S	800650	VRS1	99,72	100,00	12,00	S	*68X100X12★	32
-	-	-	V	800654	VRS1	3.926	3.937	.472			
3.751	3.756	.500	L	7780	4L	100,00	100,20	10,00	S	68X100X10★	35
3.751	3.756	.500	L	7780N	4L	3.937	3.945	.394			
3.751	3.756	.500	S	*447441	44	100,00	100,28	7,00	S	68X100X7★	32
68,00mm (2.677") SHAFT						68,00mm (2.677") SHAFT (cont.)					
-	-	-	S	800650	VRS1	3.937	3.948	.276			
-	-	-	V	800654	VRS1	100,00	100,28	13,00	S	68X100X13★	32
82,00	82,20	7,00	S	68X82X7★	32	3.937	3.948	.512			
3.228	3.236	.276				124,00	124,10	12,00	N	710275★◀	40
82,00	82,20	7,00	S	710378★	35	4.882	4.886	.472			
3.228	3.236	.276				2.687" (2-11/16") SHAFT					
84,00	84,23	8,50	N	710234★◀	32	-	-	-	S	800700	VRS1
3.307	3.316	.335				-	-	-	V	800704	VRS1
84,72	85,00	10,00	S	*68X85X10★	32	3.062	3.062	.187	S	*6542%	36
3.335	3.346	.394				3.251	3.256	.578	S	*6532S	273
85,00	85,20	8,00	S	68X85X8★	35	3.500	3.505	.500	S	*455434	45
3.346	3.354	.315				3.751	3.756	.500	S	*455151	45
86,00	86,20	8,00	N	710334★◀	32	3.751	3.756	.500	S	*485151	48
3.386	3.394	.315				3.876	3.876	.250	S	365008%	36
86,00	86,31	8,00	H	226820★➔	32	3.876	3.881	.468	S	*455008	45
3.386	3.398	.315				2.700" SHAFT					
88,00	88,20	8,00	S	*68X88X8★	32	-	-	-	S	800700	VRS1
3.465	3.472	.315				-	-	-	V	800704	VRS1
88,00	88,20	8,00	S	710446★➔	35	3.499	3.504	.462	S	710091&	272
3.465	3.472	.315				69,00mm (2.717") SHAFT					
89,00	89,20	11,00	V	712511★➔	32	-	-	-	S	800700	VRS1
3.504	3.512	.433				-	-	-	V	800704	VRS1
2.735" SHAFT						69,00mm (2.717") SHAFT (cont.)					
-	-	-	S	800700	VRS1	91,72	92,00	12,00	S	*69X92X12★	32
-	-	-	V	800704	VRS1	3.611	3.622	.472			
3.415	-	.188	U	710039	#	2.740" SHAFT					
2.740" SHAFT						69,00mm (2.717") SHAFT (cont.)					
3.937	3.942	.565	S	*370155A	06	-	-	-	S	800700	VRS1

SIZE SECTION

For Illustration and Material Data See Technical Section

Designed For A Specific Application - Not Recommended For General Use ➔ Hydrodynamic Lip Design-CW ◀ Hydrodynamic Lip Design-CCW % External Bore & Flanged O.D. * The U.S. customer service number is 877-4-TIMKEN. The Canadian customer service numbers are 800-565-4927 (English) and 800-565-0438 (French-Canadian). ★ Metric Seal

Hsg. Bore	Seal O.D.	Seal Width	Lip Mat'l	Part No.	Type/ Illus.	Hsg. Bore	Seal O.D.	Seal Width	Lip Mat'l	Part No.	Type/ Illus.
2.748" SHAFT						2.750" (2-3/4") SHAFT (cont.)					
-	-	-	S	800700	VRS1	3.623	3.628	.468	V	*455315V	45
-	-	-	V	800704	VRS1	3.623	3.628	.468	S	*475315	47
-	-	.781		*99270	Redi-Sleeve	3.623	3.628	.468	S	*485315	48
-	-	.781		99274	Redi-Sleeve	3.623	3.628	.500	S	*456876	45
-	-	1.438		99267	Redi-Sleeve	3.750	3.754	.500	U	710010	#
3.543	3.555	.591	N	4874N◀	#	3.751	3.756	.250	S	46997S	4S
3.876	3.886	.552	V	4564V▶	#	3.751	3.756	.375	V	417316V	41
3.881	3.885	.464	S	710174	47	3.751	3.756	.375	S	*417316	41
3.937	3.942	.305	S	*200122	200	3.751	3.756	.375	S	*457316	45
5.500	5.512	.850	N	4876N▶	#	3.751	3.756	.375	S	*477316	47
						3.751	3.756	.375	H	*477316H	47
						3.751	3.756	.375	S	*487316	48
						3.751	3.756	.437	S	*415733	41
						3.751	3.756	.437	S	*475733	47
						3.751	3.756	.500	S	415004	41
						3.751	3.756	.500	H	*415004H	41
						3.751	3.756	.500	N	*415004N	41
						3.751	3.756	.500	V	415004V	41
						3.751	3.756	.500	S	455004	45
						3.751	3.756	.500	H	*455004H	45
						3.751	3.756	.500	N	*455004N	45
						3.751	3.756	.500	S	*475004	47
						3.751	3.756	.500	H	475004H	47
						3.751	3.756	.500	N	*475004N	47
						3.751	3.756	.500	S	*485004	48
						3.773	3.781	.435	S	2222&	286
						3.779	3.784	.762	S	710395	06
						3.779	3.792	.767	S	370352A	08
						3.846	3.928	.290	S	200942% 200E	200E
						3.876	3.881	.375	S	*415960	41
						3.876	3.881	.375	S	*455960	45
						3.876	3.881	.375	S	*475960	47
						3.876	3.881	.375	S	*485960	48
						3.876	3.881	.468	S	415009	41
						3.876	3.881	.468	N	415009N	41
						3.876	3.881	.468	S	455009	45
						3.876	3.881	.468	N	*455009N	45
						3.876	3.881	.468	S	*475009	47
						3.876	3.881	.468	N	475009N	47
						3.876	3.881	.468	S	*485009	48
						3.876	3.882	.500	S	*455719	45
						3.935	3.940	.500	S	55469	5L
						3.937	3.942	.500	N	476574N	47
						4.003	4.008	.375	S	*416706	41
						4.003	4.008	.375	H	*416706H	41
						4.003	4.008	.375	N	*476706N	47
						4.003	4.008	.468	S	*415272	41
						4.003	4.008	.468	N	415272N	41
						4.003	4.008	.468	S	455272	45
						4.003	4.008	.468	S	*475272	47
						4.003	4.008	.468	N	*475272N	47
						4.003	4.008	.468	S	*485272	48
						4.003	4.008	.500	V	*4490	#
						4.125	4.130	.437	N	*487678N	48
						4.125	4.130	.562	N	*456281N	45
						4.125	4.130	.562	S	476281	47
						4.125	4.130	.562	N	*476281N	47
						4.125	4.130	.562	N	*486281N	48
						4.125	4.130	.562	V	*486281V	48
						4.249	4.254	.468	S	*416282	41
						4.249	4.254	.468	S	*456282	45
						4.249	4.254	.468	S	*476282	47
						4.249	4.254	.500	S	*416283	41
						4.249	4.254	.500	S	*476283	47
						4.249	4.254	.625	N	476283N	47
						4.249	4.254	.625	S	*415101	41
						4.331	4.336	.500	S	*416961	41
						4.331	4.336	.500	N	*416961N	41
						4.375	4.380	.625	N	*487384N	48
						4.500	4.505	.468	S	454088	45
						4.626	4.631	.625	N	*475139N	47

For Illustration and Material Data See Technical Section

Designed For A Specific Application - Not Recommended For General Use ▶ Hydrodynamic Lip Design-CW ◀ Hydrodynamic Lip Design-CCW % External Bore

& Flanged O.D. * The U.S. customer service number is 877-4-TIMKEN. The Canadian customer service numbers are 800-565-4927 (English) and 800-565-0438 (French-Canadian).

Size Section

Hsg. Bore	Seal O.D.	Seal Width	Lip Mat'l	Part No.	Type/ Illus.	Hsg. Bore	Seal O.D.	Seal Width	Lip Mat'l	Part No.	Type/ Illus.
2.750" (2-3/4") SHAFT (cont.)						70,00mm (2.756") SHAFT (cont.)					
4.999	5.004	.468	L	55238	5L	95,00	95,28	13,00	S	70X95X13★	35
5.500	5.506	.500	N	417986N	41	3.740	3.751	.512			
5.501	5.506	1.266	N	3591	90	99,72	100,00	12,00	S	*70X100X12★	32
2.752" SHAFT											
3.937	3.942	.565	S	*370127A	#	3.926	3.937	.472			
70,00mm (2.756") SHAFT											
-	-	-	S	800700	VRS1	99,72	100,00	14,00	S	*70X100X14★	32
-	-	-	V	800704	VRS1	3.926	3.937	.551			
-	-	.406		99272	Redi-Sleeve	100,00	100,20	10,00	S	70X100X10★	32
-	-	.781		99275	Redi-Sleeve	3.937	3.945	.394			
-	-	.787		99276	Redi-Sleeve	100,00	100,20	10,00	V	*70X100X10V★	35
-	-	1.125		99269	Redi-Sleeve	3.937	3.945	.394			
79,72	80,00	10,00	S	*70X80X10★	32	100,00	100,20	10,00	S	*70X100X10★	32
3.139	3.150	.394				3.937	3.945	.394			
82,72	83,00	10,00	S	*70X83X10★	32	100,00	100,28	13,00	S	70X100X13★	32
3.257	3.268	.394				3.937	3.948	.512			
84,72	85,00	9,00	S	*70X85X9★	32	101,60	101,83	11,91	T	40392★◀	FW-H
3.335	3.346	.354				4.000	4.009	.469			
84,72	85,00	10,00	S	*70X85X10★	32	101,72	102,00	13,00	S	*70X102X13★	32
3.335	3.346	.394				4.005	4.016	.512			
85,00	85,28	8,00	S	70X85X8★	35	104,72	105,00	12,00	S	*70X105X12★	32
3.346	3.357	.315				4.123	4.134	.472			
86,72	87,00	10,00	S	*70X87X10★	32	105,00	105,20	10,00	S	*70X105X10★	32
3.414	3.425	.394				4.134	4.142	.394			
87,00	87,40	8,50	V	1021★◀	32	105,00	105,20	13,00	S	70X105X13★	35
3.425	3.441	.335				4.134	4.142	.512			
87,00	87,40	8,50	V	1021V★◀	32	105,00	105,30	7,00	S	70X105X7★	32
3.425	3.441	.335				4.134	4.146	.276			
87,72	88,00	10,00	S	*70X88X10★	32	109,72	110,00	12,00	S	*70X110X12★	32
3.454	3.465	.394				4.320	4.331	.472			
88,00	88,20	9,00	V	*70X88X9V★	35	109,72	110,00	13,00	S	*70X110X13★	32
3.465	3.472	.354				4.320	4.331	.512			
88,00	88,25	8,00	S	70X88X8★	48	110,00	110,20	10,00	S	70X110X10★	35
3.465	3.474	.315				110,00	110,20	10,00	S	70X110X10★	35
88,00	88,25	12,00	S	70X88X12★	32	4.331	4.339	.394			
3.465	3.474	.472				111,72	112,00	13,00	S	*70X112X13★	32
88,00	88,25	12,00	H	227020★◀	32	4.398	4.409	.512			
3.465	3.474	.472				112,00	112,10	14,00	S	710339★	25
89,72	90,00	8,00	S	*70X90X8★	32	4.409	4.413	.551			
3.532	3.543	.315				114,72	115,00	13,00	S	*70X115X13★	32
89,72	90,00	12,00	S	*70X90X12★	32	4.517	4.528	.512			
3.532	3.543	.472				114,72	115,00	15,00	S	*70X115X15★	32
89,72	90,00	13,00	S	*70X90X13★	32	4.517	4.528	.591			
3.532	3.543	.512				119,72	120,00	13,00	S	*70X120X13★	32
90,00	90,20	7,00	S	70X90X7★	32	4.713	4.724	.512			
3.543	3.551	.276				71,00mm (2.795") SHAFT					
90,00	90,20	10,00	V	*70X90X10V★	32	87,72	88,00	8,00	S	*71X88X8★	32
3.543	3.551	.394				3.454	3.465	.315			
90,00	90,32	10,00	S	70X90X10★	32	2.812" (2-13/16") SHAFT					
3.543	3.556	.394				-	-	-	S	800700	VRS1
90,00	90,32	10,00	H	227040★◀	35	-	-	-	V	800704	VRS1
3.543	3.556	.394				-	-	.594		99281	Redi-Sleeve
90,00	90,40	10,00	S	*1162★	35	3.500	3.510	.430	S	*325978	32
3.543	3.559	.394				3.751	3.756	.500	S	455005	45
92,00	92,15	11,90	H	*477936H★	47	3.751	3.756	.500	N	*455005N	45
3.622	3.628	.469				3.876	3.881	.437	S	417485	41
92,00	92,20	12,00	S	70X92X12★	32	4.003	4.008	.468	S	*455384	45
3.622	3.630	.472				4.176	4.181	.551	S	*4176	#
92,00	92,23	12,00	H	227045★	32	4.249	4.254	.468	S	411348	41
3.622	3.631	.472				2.832" SHAFT					
94,72	95,00	12,00	S	*70X95X12★	32	-	-	-	S	800700	VRS1
3.729	3.740	.472				-	-	-	V	800704	VRS1
95,00	95,20	10,00	V	*70X95X10V★	35	3.625	3.635	.374	V	710075◀	32
3.740	3.748	.394				72,00mm (2.835") SHAFT					
95,00	95,28	10,00	S	70X95X10★	32	-	-	-	S	800700	VRS1
3.740	3.751	.394				-	-	-	V	800704	VRS1
						0,00	94,20	10,40	S	710456★	#
						.000	3.709	.409			

For Illustration and Material Data See Technical Section

Designed For A Specific Application - Not Recommended For General Use ◀ Hydrodynamic Lip Design-CCW

* The U.S. customer service number is 877-4-TIMKEN. The Canadian customer service numbers are 800-565-4927 (English) and 800-565-0438 (French-Canadian). ★ Metric Seal

Hsg. Bore	Seal O.D.	Seal Width	Lip Mat'l	Part No.	Type/ Illus.	Hsg. Bore	Seal O.D.	Seal Width	Lip Mat'l	Part No.	Type/ Illus.
72,00mm (2.835") SHAFT (cont.)						2.875" (2-7/8") SHAFT (cont.)					
85,72	86,00	7,50	S	*72X86X7.5★	32	3.623	3.628	.500	H	3783	65
3.375	3.386	.295				3.623	3.628	.500	T	39802➔	FW-H
88,00	88,25	8,00	S	1986★	48	3.740	3.746	.551	V	*488020V	48
3.465	3.474	.315				3.750	3.755	.500	T	41536➔	PDW
89,72	90,00	8,00	S	*72X90X8★	32	3.750	3.755	.500	T	41537◄	PDW
3.532	3.543	.315				3.751	3.756	.375	S	417344	41
90,00	90,20	10,00	S	72X90X10★	35	3.751	3.756	.375	S	*457344	45
3.543	3.551	.394				3.751	3.756	.375	S	*477344	47
91,72	92,00	12,00	S	*72X92X12★	32	3.751	3.756	.375	V	*477344V	47
3.611	3.622	.472				3.751	3.756	.375	S	*487344	48
93,72	94,00	12,00	S	*72X94X12★	32	3.751	3.756	.375	V	487344V	48
3.690	3.701	.472				3.751	3.756	.500	S	*9711	41
94,72	95,00	12,00	S	*72X95X12★	32	3.751	3.756	.500	S	*415006	41
3.729	3.740	.472				3.751	3.756	.500	N	*415006N	41
94,72	95,00	13,00	S	*72X95X13★	32	3.751	3.756	.500	V	*415006V	41
3.729	3.740	.512				3.751	3.756	.500	S	455006	45
95,00	95,28	10,00	S	72X95X10★	32	3.751	3.756	.500	N	455006N	45
3.740	3.751	.394				3.751	3.756	.500	S	*475006	47
96,00	96,28	9,00	H	227235★◄	32	3.751	3.756	.500	N	*475006N	47
3.780	3.791	.354				3.751	3.756	.500	S	*485006	48
100,00	100,20	10,00	S	72X100X10★	35	3.875	3.880	.515	S	9864S&	57
3.937	3.945	.394				3.875	3.889	.500	S	370150A	07
100,00	100,31	12,00	S	72X100X12★◄➔	32	3.876	3.881	.375	S	417158	41
3.937	3.949	.472				3.876	3.881	.375	S	*457158	45
104,72	105,00	13,00	S	*72X105X13★	32	3.876	3.881	.375	S	*477158	47
4.123	4.134	.512				3.876	3.881	.375	V	*477158V	47
105,00	105,20	10,00	S	*72X105X10★	32	3.876	3.881	.375	S	*487158	48
4.134	4.142	.394				3.876	3.881	.468	V	*2278	#
110,00	110,20	10,00	S	*72X110X10★	32	3.876	3.881	.468	S	*3339	44
4.331	4.339	.394				3.876	3.881	.468	S	*415355	41
						3.876	3.881	.468	N	*415355N	41
						3.876	3.881	.468	S	455355	45
						3.876	3.881	.468	S	*475355	47
						3.876	3.881	.468	S	*485355	48
						4.003	4.008	.250	S	*4012	#
		.500		99282	Redi-Sleeve	4.003	4.008	.250	S	43086S	4S
3.939	3.944	.495	S	2081◄➔	41	4.003	4.008	.375	S	416921	41
3.939	3.944	.500	S	*55511S	5S	4.003	4.008	.375	S	*456921	45
3.939	3.944	.500	S	*455511	45	4.003	4.008	.375	S	*476921	47
4.003	4.008	.500	V	456837V	45	4.003	4.008	.375	S	*486921	48
4.501	4.506	.375	S	*456111	45	4.003	4.008	.468	V	*3441V	#
						4.003	4.008	.468	S	*415011	41
						4.003	4.008	.468	H	*415011H	41
						4.003	4.008	.468	N	*415011N	41
						4.003	4.008	.468	S	455011	45
						4.003	4.008	.468	N	*455011N	45
	6.460	.520	S	*6479	#	4.003	4.008	.468	V	*455011V	45
						4.003	4.008	.468	S	*475011	47
						4.003	4.008	.468	S	*485011	48
						4.003	4.008	.468	N	*485011N	48
						4.003	4.008	.500	S	*456886	45
						4.125	4.130	.375	S	417134	41
		.781		99287	Redi-Sleeve	4.125	4.130	.375	S	*457134	45
86,00	86,28	5,00	S	239129★	#	4.125	4.130	.562	S	*415152	41
3.386	3.397	.197				4.125	4.130	.562	S	*455152	45
						4.125	4.130	.562	S	*475152	47
						4.125	4.130	.562	S	*485152	48
						4.125	4.130	.812	S	6780S	21
						4.125	4.130	.842	S	370010A	01
						4.175	4.180	.812	S	2674	89
		.781		99287	Redi-Sleeve	4.175	4.181	.822	S	370054A	03
3.540	3.548	.315	S	474230	47	4.249	4.254	.500	S	416285	41
3.623	3.628	.375	S	415303	41	4.249	4.254	.625	S	*416286	41
3.623	3.628	.375	S	*455303	45	4.249	4.254	.625	S	*456286	45
3.623	3.628	.375	S	*475303	47	4.249	4.254	.625	S	*476286	47
3.623	3.628	.375	S	*485303	48	4.249	4.254	.625	S	*486286	48
3.623	3.628	.375	N	*485303N	48	4.331	4.336	.500	H	*416426H	41
3.623	3.628	.468	S	*416275	41	4.331	4.336	.500	N	*416426N	41
3.623	3.628	.468	N	*416275N	41	4.335	4.340	.437	F	*295113	29
3.623	3.628	.468	S	*455250	45	4.335	4.340	.437	S	*455310	45
3.623	3.628	.468	N	*455250N	45	4.335	4.340	.437	V	*455310V	45
						4.376	4.381	.625	S	455556	45

For Illustration and Material Data See Technical Section

Designed For A Specific Application - Not Recommended For General Use ➔ Hydrodynamic Lip Design-CW ◄ Hydrodynamic Lip Design-CCW

◄➔ Hydrodynamic Lip Design-Bidirectional & Flanged O.D.

* The U.S. customer service number is 877-4-TIMKEN. The Canadian customer service numbers are 800-565-4927 (English) and 800-565-0438 (French-Canadian). ★ Metric Seal

Size Section

Hsg. Bore	Seal O.D.	Seal Width	Lip Mat'l	Part No.	Type/ Illus.	Hsg. Bore	Seal O.D.	Seal Width	Lip Mat'l	Part No.	Type/ Illus.
2.875" (2-7/8") SHAFT (cont.)						2.937" (2-15/16") SHAFT (cont.)					
4.499	4.504	.468	S	*415144	41	4.003	4.008	.468	N	475012N	47
4.499	4.504	.468	S	*455144	45	4.003	4.008	.625	N	*35012N	43
4.499	4.504	.468	S	*475144	47	4.003	4.008	.625	S	*417730	41
4.499	4.504	.468	S	*485144	48	4.003	4.008	.697	V	*3623	#
4.500	4.505	.406	F	*296121	29	4.125	4.130	.375	S	*417486	41
2.882" SHAFT						4.125	4.130	.562	S	*455153	45
-	-	-	S	800750	VRS1	4.249	4.254	.625	N	*475348N	47
-	-	-	S	800751	VRS2	4.250	4.254	.468	S	416775	41
-	-	-	V	800754	VRS1	4.499	4.504	.468	S	*415356	41
-	-	-	V	800755	VRS2	4.499	4.504	.468	N	*415356N	41
3.431	3.436	.291	S	4122	47	4.499	4.504	.468	V	*415356V	41
3.431	3.436	.291	S	470547	47	4.499	4.504	.468	S	*455356	45
74,00mm (2.913") SHAFT						4.939	4.944	1.250	N	*4035N	90
-	-	-	S	800750	VRS1	4.939	4.944	1.250	N	712937	90
-	-	-	S	800751	VRS2	2.938" SHAFT					
-	-	-	V	800754	VRS1	-	-	-	S	800750	VRS1
-	-	-	V	800755	VRS2	-	-	-	S	800751	VRS2
89.72	90.00	10.00	S	*74X90X10★	32	-	-	.500		800754	VRS1
3.532	3.543	.394				-	-	.781		800755	VRS2
90.00	90.15	10.00	H	227409★◀	32	-	-			99290	Redi-Sleeve
3.543	3.549	.394								99293	Redi-Sleeve
93.72	94.00	10.00	S	*74X94X10★	32	3.750	3.765	.530	S	*370223A	#
3.690	3.701	.394				3.937	3.947	.552	V	4563V▶	#
94.72	95.00	7.00	S	*74X95X7★	32	4.003	4.008	.619	N	*4143N	#
3.729	3.740	.276				2.948" SHAFT					
98.00	98.20	12.00	H	227410★▶	32	4.725	4.738	.526	S	370211A	07
3.858	3.866	.472				2.950" SHAFT					
99.72	100.00	13.00	S	*74X100X13★	32	-	-	-	S	800750	VRS1
3.926	3.937	.512				-	-	-	S	800751	VRS2
2.930" SHAFT						-	-	-	V	800754	VRS1
-	-	-	S	800750	VRS1	-	-	-	V	800755	VRS2
-	-	-	S	800751	VRS2	-	-	.594		*99289	Redi-Sleeve
-	-	-	V	800754	VRS1	-	-	.866		99294	Redi-Sleeve
-	-	-	V	800755	VRS2	3.741	3.752	.394	S	354967	35
4.375	4.380	1.120	S	*396487	#	4.527	4.533	.375	S	*476515	47
2.937" (2-15/16") SHAFT						75,00mm (2.953") SHAFT					
-	-	-	S	800750	VRS1	-	-	-	S	800750	VRS1
-	-	-	S	800751	VRS2	-	-	-	S	800751	VRS2
-	-	-	V	800754	VRS1	-	-	-	V	800754	VRS1
-	-	-	V	800755	VRS2	-	-	-	V	800755	VRS2
-	-	.500		99290	Redi-Sleeve	-	-	.594		*99289	Redi-Sleeve
-	-	.781		99293	Redi-Sleeve	-	-	.866		99294	Redi-Sleeve
3.751	3.756	.375	S	*416956	41	83.00	87.00	4.00	S	710240★%	#
3.751	3.756	.500	S	*455383	45	3.268	3.425	.157			
3.876	3.881	.375	V	417159V	41	89.72	90.00	12.00	S	*75X90X12★	32
3.876	3.881	.375	S	*417159	41	3.532	3.543	.472			
3.876	3.881	.468	S	*415347	41	90.00	90.20	8.00	S	75X90X8★	32
3.876	3.881	.468	N	*415347N	41	3.543	3.551	.315			
3.876	3.881	.468	S	*455347	45	90.00	90.25	10.00	S	75X90X10★	32
3.937	3.942	.500	N	35949N	41	3.543	3.553	.394			
3.937	3.942	.500	S	*416500	41	91.72	92.00	12.00	S	*75X92X12★	32
3.937	3.942	.500	N	*416500N	41	3.611	3.622	.472			
3.937	3.942	.500	S	*456500	45	93.00	93.12	8.00	T	39804★▶	FW-H
3.937	3.942	.500	S	*476500	47	3.661	3.666	.315			
3.937	3.942	.500	N	476500N	47	94.72	95.00	8.00	S	*75X95X8★	32
4.003	4.008	.375	S	*416654	41	3.729	3.740	.315			
4.003	4.008	.375	N	*476654N	47	94.72	95.00	12.00	S	*75X95X12★	32
4.003	4.008	.468	S	*415012	41	3.729	3.740	.472			
4.003	4.008	.468	N	*415012N	41	94.72	95.00	13.00	S	*75X95X13★	32
4.003	4.008	.468	V	415012V	41	3.729	3.740	.512			
4.003	4.008	.468	S	455012	45						
4.003	4.008	.468	N	*455012N	45						
4.003	4.008	.468	V	*455012V	45						
4.003	4.008	.468	S	*475012	47						

For Illustration and Material Data See Technical Section

Designed For A Specific Application - Not Recommended For General Use ▶ Hydrodynamic Lip Design-CW ◀ Hydrodynamic Lip Design-CCW % External Bore

* The U.S. customer service number is 877-4-TIMKEN. The Canadian customer service numbers are 800-565-4927 (English) and 800-565-0438 (French-Canadian). ★ Metric Seal

Hsg. Bore	Seal O.D.	Seal Width	Lip Mat'l	Part No.	Type/ Illus.	Hsg. Bore	Seal O.D.	Seal Width	Lip Mat'l	Part No.	Type/ Illus.
75,00mm (2.953") SHAFT (cont.)						2.991" SHAFT (cont.)					
95,00	95,20	10,00	V	*75X95X10V★	32	-	-	.563		99298	Redi-Sleeve
3.740	3.748	.394				-	-	.813		99299	Redi-Sleeve
95,00	95,28	10,00	S	227530★	35						
3.740	3.751	.394				3.622	3.637	.380	V	*327995V	32
95,00	95,28	10,00	S	75X95X10★	32	3.622	3.637	.385	T	*100202T◄	FW-H
3.740	3.751	.394				76,00mm (2.992") SHAFT					
95,00	95,27	10,00	V	716445★	35	-	-	-	S	800750	VRS1
3.740	3.751	.394				-	-	-	S	800751	VRS2
99,72	100,00	13,00	S	*75X100X13★	32	-	-	-	V	800754	VRS1
3.926	3.937	.512				-	-	-	V	800755	VRS2
100,00	100,10	13,00	S	710384★	25	-	-	.484		99291	Redi-Sleeve
3.937	3.941	.512				-	-	.563		99298	Redi-Sleeve
100,00	100,20	10,00	S	75X100X10★	32	-	-	.813		99299	Redi-Sleeve
3.937	3.945	.394				91,72	92,00	10,00	S	*76X92X10★	32
100,00	100,20	10,00	V	*75X100X10V★	32	3.611	3.622	.394			
3.937	3.945	.394				92,00	92,28	9,50	V	4307V★◄	32
100,00	100,20	12,00	S	227540★	32	3.622	3.633	.374			
3.937	3.945	.472				92,00	92,28	9,60	V	327995★◄	32
100,00	100,27	12,00	S	75X100X12★	32	3.622	3.633	.378			
3.937	3.948	.472				93,00	93,30	10,00	H	1019★◄	32
100,00	100,27	13,00	H	227550★◄	32	3.661	3.673	.394			
3.937	3.948	.472				93,72	94,00	12,00	S	*76X94X12★	32
101,72	102,00	13,00	S	*75X102X13★	32	3.690	3.701	.472			
4.005	4.016	.512				98,00	98,20	12,00	H	227610★►	32
104,72	105,00	15,00	S	*75X105X15★	32	3.858	3.866	.472			
4.123	4.134	.591				102,00	102,20	9,50	S	710375★	#
105,00	105,27	13,00	S	75X105X13★	32	4.016	4.024	.374			
4.134	4.144	.512				104,72	105,00	12,00	S	*76X105X12★	32
105,72	106,00	10,00	S	*75X106X10★	32	4.123	4.134	.472			
4.162	4.173	.394				104,72	105,00	13,00	S	*76X105X13★	32
109,72	110,00	13,00	S	*75X110X13★	32	4.123	4.134	.512			
4.320	4.331	.512				3.000" SHAFT					
110,00	110,20	10,00	S	*75X110X10★	32	-	-	-	S	800750	VRS1
4.331	4.339	.394				-	-	-	S	800751	VRS2
110,00	110,20	12,00	S	75X110X12★	32	-	-	-	V	800754	VRS1
4.331	4.339	.472				-	-	-	V	800755	VRS2
112,00	112,10	10,00	S	710376★	#	-	-	.625		99303	Redi-Sleeve
4.409	4.413	.394				-	-	.813		99296	Redi-Sleeve
112,00	112,17	10,00	S	710087★	45	-	-	.813		99300	Redi-Sleeve
4.409	4.416	.394				3.500	-	.313	U	710028	#
114,72	115,00	9,50	S	*75X115X9.5★	32	3.686	3.702	.523	N	7338N&	56
4.517	4.528	.374				3.751	3.756	.375	N	476023N	47
114,72	115,00	13,00	S	*75X115X13★	32	3.751	3.756	.375	V	*476023V	47
4.517	4.528	.512				3.751	3.756	.375	S	*486023	48
115,00	115,20	10,00	S	*75X115X10★	32	3.751	3.756	.375	N	*486023N	48
4.528	4.535	.394				3.751	3.756	.437	V	417349V	41
115,00	115,30	12,00	S	75X115X12★	35	3.751	3.756	.437	S	417349	41
4.528	4.539	.472				3.751	3.756	.437	S	*457349	45
119,72	120,00	12,00	S	*75X120X12★	32	3.751	3.756	.437	S	*477349	47
4.713	4.724	.472				3.751	3.756	.500	S	*415281	41
120,00	120,12	8,13	S	200322★	200	3.751	3.756	.500	N	415281N	41
4.724	4.729	.320				3.751	3.756	.500	V	*415281V	41
120,00	120,20	10,00	S	75X120X10★	32	3.751	3.756	.500	S	*455281	45
4.724	4.732	.394				3.751	3.756	.500	H	*455281H	45
133,70	134,00	10,00	S	*75X134X10★	32	3.751	3.756	.500	N	*455281N	45
5.264	5.276	.394				3.751	3.756	.500	S	*475281	47
2.988" SHAFT						3.751	3.756	.500	N	*475281N	47
-	-	-	S	800750	VRS1	3.751	3.756	.500	S	*485281	48
-	-	-	S	800751	VRS2	3.752	3.760	.375	S	*6442S	35
-	-	-	V	800754	VRS1	3.876	3.881	.437	S	417350	41
-	-	-	V	800755	VRS2	3.876	3.881	.437	S	*457350	45
3.740	3.748	.374	H	3698◄	32	3.876	3.881	.437	S	*477350	47
2.991" SHAFT						3.876	3.881	.437	S	*487350	48
-	-	-	S	800750	VRS1	3.876	3.881	.468	S	*415479	41
-	-	-	S	800751	VRS2						
-	-	-	V	800754	VRS1						
-	-	-	V	800755	VRS2						
-	-	.484		99291	Redi-Sleeve						

For Illustration and Material Data See Technical Section

Designed For A Specific Application - Not Recommended For General Use ► Hydrodynamic Lip Design-CW ◄ Hydrodynamic Lip Design-CCW & Flanged O.D.

* The U.S. customer service number is 877-4-TIMKEN. The Canadian customer service numbers are 800-565-4927 (English) and 800-565-0438 (French-Canadian). ★ Metric Seal

Size Section

Hsg. Bore	Seal O.D.	Seal Width	Lip Mat'l	Part No.	Type/ Illus.	Hsg. Bore	Seal O.D.	Seal Width	Lip Mat'l	Part No.	Type/ Illus.
3.000" SHAFT (cont.)						3.000" SHAFT (cont.)					
3.876	3.881	.468	N	*415479N	41	4.331	4.336	.500	S	415962	41
3.876	3.881	.468	S	455479	45	4.376	4.381	.500	S	417488	41
3.876	3.881	.468	V	455479V	45	4.376	4.381	.625	S	*415158	41
3.876	3.881	.468	S	*475479	47	4.376	4.381	.625	N	*415158N	41
3.876	3.881	.468	H	*475479H	47	4.376	4.381	.625	S	*455158	45
3.876	3.881	.468	N	*475479N	47	4.376	4.381	.760	V	*2515V	#
3.876	3.881	.468	S	*485479	48	4.490	4.508	.562	S	*325088	32
3.876	3.881	.500	N	*415526N	41	4.499	4.504	.468	S	415088	41
3.876	3.881	.500	N	*455526N	45	4.499	4.504	.468	N	*415088N	41
3.876	3.885	.500	S	355526	35	4.499	4.504	.468	S	455088	45
3.936	3.941	.500	S	455509	45	4.499	4.504	.468	N	*455088N	45
3.999	4.004	.437	S	453182	45	4.499	4.504	.468	V	455088V	45
4.000	4.008	.500	U	710011	#	4.499	4.504	.468	S	*475088	47
4.000	4.012	.600	U	710009	#	4.499	4.504	.468	N	*475088N	47
4.002	4.625	.884	S	*8427	#	4.499	4.504	.468	S	*485088	48
4.003	4.008	.250	S	45013S	4S	4.500	4.506	.500	S	*487162	48
4.003	4.008	.312	V	710457	86	4.501	4.506	.468	S	*457163	45
4.003	4.008	.375	S	*7021S	48	4.501	4.506	.468	N	477163N	47
4.003	4.008	.375	S	415995	41	4.524	4.600	.433	S	200133%	200E
4.003	4.008	.375	A	415995A	41	4.626	4.631	.500	L	55548	5L
4.003	4.008	.375	N	*415995N	41	4.750	4.756	.500	S	*457165	45
4.003	4.008	.375	V	415995V	41	4.751	4.756	.625	S	416370	41
4.003	4.008	.375	N	455995N	45	4.751	4.756	.625	S	*456370	45
4.003	4.008	.375	S	*475995	47	4.751	4.756	.625	S	*476370	47
4.003	4.008	.375	V	*475995V	47	4.751	4.756	.625	S	*486370	48
4.003	4.008	.437	V	415836V	41	4.875	4.881	.625	S	455820	45
4.003	4.008	.437	S	415836	41	4.938	4.943	.740	N	39058	76
4.003	4.008	.437	N	415836N	41	4.999	5.004	.468	S	*415019	41
4.003	4.008	.437	S	*455836	45	4.999	5.004	.468	S	455019	45
4.003	4.008	.437	S	*475836	47	4.999	5.004	.468	S	*475019	47
4.003	4.008	.437	V	*475836V	47	4.999	5.004	.468	S	*485019	48
4.003	4.008	.437	S	*485836	48	5.000	5.006	.859	S	*76894S	7S
4.003	4.008	.468	S	*3204	#	5.500	5.506	.531	N	3143N&	74
4.003	4.008	.468	S	415013	41	5.501	5.506	1.266	N	3592	90
4.003	4.008	.468	N	415013N	41	5.501	5.507	.312	S	*7843	#
4.003	4.008	.468	V	*415013V	41	5.750	5.764	.413	N	712000	#
4.003	4.008	.468	S	455013	45	5.751	5.756	.840	N	710008&	74
4.003	4.008	.468	H	*455013H	45	3.003" SHAFT					
4.003	4.008	.468	N	*455013N	45	-	-	-	S	800750	VRS1
4.003	4.008	.468	V	*455013V	45	-	-	-	S	800751	VRS2
4.003	4.008	.468	S	*475013	47	-	-	-	V	800754	VRS1
4.003	4.008	.468	N	*475013N	47	-	-	-	V	800755	VRS2
4.003	4.008	.468	S	*485013	48	-	-	.625		99303	Redi-Sleeve
4.003	4.008	.640	N	*7774N	#	-	-	.813		99296	Redi-Sleeve
4.125	4.130	.312	S	*7844	#	-	-	.813		99300	Redi-Sleeve
4.125	4.130	.437	S	417351	41	-	-				
4.125	4.130	.437	S	*457351	45	3.751	3.761	.420	V	100495	08
4.125	4.130	.437	S	*477351	47	3.751	3.761	.570	V	4810V➔	#
4.125	4.130	.437	S	*487351	48	3.751	3.761	.570	V	714810➔	#
4.125	4.130	.438	S	*487119	48	3.951	3.961	.289	N	*100373	#
4.125	4.130	.562	S	*415154	41	4.028	4.038	.302	N	*100406	#
4.125	4.130	.562	S	455154	45	4.937	4.948	.662	V	4562V➔	#
4.125	4.130	.562	S	*475154	47	4.937	4.948	.788	V	100263➔	08
4.125	4.130	.562	S	*485154	48	77,00mm (3.031") SHAFT					
4.249	4.254	.437	S	417487	41	-	-	-	S	800750	VRS1
4.249	4.254	.468	S	*415086	41	-	-	-	S	800751	VRS2
4.249	4.254	.468	N	415086N	41	-	-	-	V	800754	VRS1
4.249	4.254	.468	V	*415086V	41	-	-	-	V	800755	VRS2
4.249	4.254	.468	S	455086	45	99,72	100,00	10,00	S	*77X100X10★	32
4.249	4.254	.468	H	*455086H	45	3.926	3.937	.394			
4.249	4.254	.468	N	*455086N	45	100,10	100,30	11,00	N	*712138★	35
4.249	4.254	.468	N	*475086N	47	3.941	3.949	.433			
4.249	4.254	.500	S	*416026	41	3.040" SHAFT					
4.249	4.254	.500	S	*456026	45	-	-	-	S	800750	VRS1
4.249	4.254	.500	V	*456026V	45	-	-	-	S	800751	VRS2
4.249	4.254	.625	L	*55014	5L	-	-	-	V	800754	VRS1
4.249	4.254	.625	S	*55014S	5S						
4.249	4.254	.625	S	*415014	41						
4.249	4.254	.625	N	*415014N	41						
4.249	4.254	.625	S	455014	45						
4.249	4.254	.625	S	*475014	47						
4.249	4.254	.625	S	*485014	48						

SIZE SECTION

For Illustration and Material Data See Technical Section

Designed For A Specific Application - Not Recommended For General Use ➔ Hydrodynamic Lip Design-CW ◀ Hydrodynamic Lip Design-CCW % External Bore & Flanged O.D. * The U.S. customer service number is 877-4-TIMKEN. The Canadian customer service numbers are 800-565-4927 (English) and 800-565-0438 (French-Canadian). ★ Metric Seal

Size Section

Hsg. Bore	Seal O.D.	Seal Width	Lip Mat'l	Part No.	Type/ Illus.	Hsg. Bore	Seal O.D.	Seal Width	Lip Mat'l	Part No.	Type/ Illus.
3.125" (3-1/8") SHAFT (cont.)						80,00mm (3.150") SHAFT (cont.)					
4.500	4.506	.500	S	*457172	45	96,00	96,28	9,00	V	228005★◀	32
4.500	4.506	.500	S	*477172	47	3.780	3.791	.354			
4.500	4.506	.500	S	*487172	48	97,72	98,00	10,00	S	*80X98X10★	32
4.500	4.506	.605	S	370014A	06	3.847	3.858	.394			
4.562	4.567	.687	F	*6603	205	98,00	98,40	10,00	V	228008★◀	32
4.562	4.567	.760	L	6644	5L	3.858	3.874	.394			
4.562	4.567	1.198	L	5751	34	99,72	100,00	8,00	S	*80X100X8★	32
4.625	4.631	.500	S	*457173	45	3.926	3.937	.315			
4.625	4.631	.562	S	*55690	5S	99,72	100,00	12,00	S	*80X100X12★	32
4.625	4.631	.605	S	370046A	06	3.926	3.937	.472			
4.626	4.631	.437	S	416297	41	99,72	100,00	13,00	S	*80X100X13★	32
4.626	4.631	.437	S	*476297	47	3.926	3.937	.512			
4.751	4.756	.500	S	416024	41	100,00	100,20	10,00	S	80X100X10★	35
4.751	4.756	.625	S	*415245	41	3.937	3.945	.394			
4.751	4.756	.625	N	*415245N	41	100,00	100,20	10,00	V	*80X100X10V★	32
4.751	4.756	.625	S	*455245	45	3.937	3.945	.394			
4.751	4.756	.625	S	*475245	47	100,00	100,20	10,00	H	228015★➔	32
4.751	4.756	.625	H	*475245H	47	3.937	3.945	.394			
4.751	4.756	.625	S	*485245	48	100,00	100,20	10,00	V	228011★◀	32
4.999	5.004	.468	S	415021	41	3.937	3.945	.394			
4.999	5.004	.468	S	*455021	45	100,00	100,23	10,00	H	228009★◀	32
4.999	5.004	.468	S	*475021	47	3.937	3.946	.394			
4.999	5.004	.468	S	*485021	48	100,00	100,35	13,00	H	228010★◀	32
4.999	5.004	.500	S	*456301	45	3.937	3.951	.512			
5.251	5.256	.468	S	415394	41	100,00	100,40	10,00	T	712111★➔	FW-H
5.251	5.256	.468	S	*455394	45	3.937	3.953	.394			
5.251	5.256	.468	S	*475394	47	100,00	100,40	13,00	T	712115★➔	FW-H
5.251	5.256	.468	S	*485394	48	3.937	3.953	.512			
5.778	8.125	.571	S	*6505S	#	100,00	100,40	13,00	T	712120★➔	FW-H
5.985	6.000	.955	S	9600S	#	3.937	3.953	.512			
7.000	8.250	1.003	N	*6481	51	100,00	100,40	13,00	T	712123★➔	FW-H
7.000	8.250	1.003	S	6481S	51	3.937	3.953	.512			
3.133" SHAFT											
-	-	-	S	800800	VRS1	104,72	105,00	12,00	S	*80X105X12★	32
-	-	-	V	800804	VRS1	4.123	4.134	.472			
-	-	-	V	800805	VRS2	105,00	105,20	10,00	S	80X105X10★	32
3.547	3.551	.366	S	710106	#	4.134	4.142	.394			
3.142" SHAFT											
-	-	-	S	800800	VRS1	105,00	105,20	12,00	V	*80X105X12V★	35
-	-	-	V	800804	VRS1	4.134	4.142	.472			
-	-	-	V	800805	VRS2	105,00	105,27	13,00	S	80X105X13★	32
-	-	.750		99313	Redi-Sleeve	4.134	4.144	.512			
3.733	3.736	.565	S	710103	#	105,00	105,26	14,00	S	228025★	32
3.146" SHAFT											
-	-	-	S	800800	VRS1	4.134	4.144	.551			
-	-	-	V	800804	VRS1	105,00	105,27	14,00	S	*80X105X14★	32
-	-	-	V	800805	VRS2	4.134	4.144	.551			
-	-	.433		*99317	Redi-Sleeve	105,00	105,27	14,00	S	228020★	32
-	-	.750		99313	Redi-Sleeve	4.134	4.144	.551			
-	-	.827		99315	Redi-Sleeve	109,72	110,00	13,00	S	*80X110X13★	32
4.003	4.008	.468	S	*450407	45	4.320	4.331	.512			
80,00mm (3.150") SHAFT											
-	-	-	S	800800	VRS1	110,00	110,20	10,00	V	*80X110X10V★	32
-	-	-	V	800804	VRS1	4.331	4.339	.394			
-	-	-	V	800805	VRS2	110,00	110,28	12,00	S	228030★	35
-	-	.433		*99317	Redi-Sleeve	4.331	4.342	.472			
-	-	.750		99313	Redi-Sleeve	110,00	110,28	12,00	S	80X110X12★	35
-	-	.827		99315	Redi-Sleeve	4.331	4.342	.472			
94,72	95,00	8,00	S	*80X95X8★	32	114,72	115,00	10,00	S	*80X115X10★	32
3.729	3.740	.315				4.517	4.528	.394			
						114,72	115,00	13,00	S	*80X115X13★	32
						4.517	4.528	.512			
						115,00	115,20	12,00	S	*80X115X12★	32
						4.528	4.535	.472			
						120,00	120,20	10,00	S	80X120X10★	32
						4.724	4.732	.394			
		.433		*99317	Redi-Sleeve	120,00	120,28	13,00	S	80X120X13★	32
		.750		99313	Redi-Sleeve	4.724	4.735	.512			
		.827		99315	Redi-Sleeve	124,72	125,00	10,00	S	*80X125X10★	32
						4.910	4.921	.394			
						124,72	125,00	13,00	S	*80X125X13★	32
						4.910	4.921	.512			
						124,72	125,00	14,00	S	*80X125X14★	32
						4.910	4.921	.551			

SIZE SECTION

For Illustration and Material Data See Technical Section

Designed For A Specific Application - Not Recommended For General Use ➔ Hydrodynamic Lip Design-CW ◀ Hydrodynamic Lip Design-CCW

* The U.S. customer service number is 877-4-TIMKEN. The Canadian customer service numbers are 800-565-4927 (English) and 800-565-0438 (French-Canadian). ★ Metric Seal

Hsg. Bore	Seal O.D.	Seal Width	Lip Mat'l	Part No.	Type/ Illus.	Hsg. Bore	Seal O.D.	Seal Width	Lip Mat'l	Part No.	Type/ Illus.	
80,00mm (3.150") SHAFT (cont.)						3.230" SHAFT						
125.00	125.20	12.00	S	*80X125X12★	32	-	-	-	S	800800	VRS1	
4.921	4.929	.472	-	-	-	-	-	-	V	800804	VRS1	
125.00	125.27	7.00	S	80X125X7★	32	-	-	-	V	800805	VRS2	
4.921	4.932	.276	-	-	-	-	-	.661	-	99328	Redi-Sleeve	
129.70	130.00	13.00	S	*80X130X13★	32	3.790	3.795	.325	T	40375◀	32	
5.106	5.118	.512	-	-	-	3.249" SHAFT						
130.00	130.20	12.00	S	*80X130X12★	32	4.468	4.488	.318	S	200870%	200E	
5.118	5.126	.472	-	-	-	4.536	4.556	.315	S	*200880%	200E	
135.00	135.20	12.00	S	*80X135X12★	32	3.250" (3-1/4") SHAFT						
5.315	5.323	.472	-	-	-	-	-	-	S	800800	VRS1	
140.00	140.20	12.00	S	*80X140X12★	32	-	-	-	V	800804	VRS1	
5.512	5.520	.472	-	-	-	-	-	.595	-	800805	VRS2	
3.164" SHAFT						-	-	-	-	99324	Redi-Sleeve	
-	-	-	S	800800	VRS1	-	-	-	-	99323	Redi-Sleeve	
-	-	-	V	800804	VRS1	-	-	.600	-	99323	Redi-Sleeve	
-	-	-	V	800805	VRS2	-	-	-	V	*4596V	#	
4.249	4.254	.625	S	*455734	45	-	-	.688	-	*99326	Redi-Sleeve	
4.999	5.004	.468	S	456799	45	-	-	-	-	99322	Redi-Sleeve	
4.999	5.004	.468	H	*456799H	45	-	-	.813	-	99322	Redi-Sleeve	
3.180" SHAFT						-	-	-	-	.813	99325	Redi-Sleeve
-	-	-	S	800800	VRS1	-	-	-	-	-	-	
-	-	-	V	800804	VRS1	-	4.325	.404	N	*100355	#	
-	-	-	V	800805	VRS2	3.781	3.785	.593	S	*712131	#	
4.180	4.185	.750	S	3385◀➔	74	3.879	3.881	.375	V	710180◀	47	
3.187" (3-3/16") SHAFT						4.003	4.008	.375	S	417433	41	
4.249	4.254	.468	S	456105	45	4.003	4.008	.468	T	55563➔	5S	
4.249	4.254	.625	S	*455017	45	4.003	4.008	.468	S	415563	41	
4.376	4.381	.500	S	417490	41	4.003	4.008	.468	N	*415563N	41	
4.376	4.381	.625	S	*455161	45	4.125	4.130	.500	H	*255566H	25	
4.499	4.504	.468	S	455336	45	4.125	4.130	.562	V	*455566V	45	
4.625	4.630	.442	S	*2054	47	4.125	4.130	.562	S	*415566	41	
4.625	4.630	.442	S	6358◀➔	47	4.125	4.130	.562	N	*415566N	41	
4.999	5.004	.468	S	455022	45	4.125	4.130	.562	V	*415566V	41	
5.000	5.006	.765	S	370029A	03	4.125	4.130	.562	S	455566	45	
3.209" SHAFT						4.125	4.130	.562	N	*455566N	45	
-	-	-	S	800800	VRS1	4.125	4.130	.562	S	*475566	47	
-	-	-	V	800804	VRS1	4.125	4.130	.562	S	*485566	48	
-	-	-	V	800805	VRS2	4.125	4.130	.562	S	*6495S	9S	
89.80	-	2.50	S	710293★	#	4.247	4.254	.375	V	476470V	47	
3.535	-	.098	-	-	-	4.249	4.254	.375	F	296470	29	
3.226" SHAFT						4.249	4.254	.375	N	416470N	41	
-	-	-	S	800800	VRS1	4.249	4.254	.375	S	476470	47	
-	-	-	V	800804	VRS1	4.249	4.254	.375	N	*476470N	47	
-	-	-	V	800805	VRS2	4.249	4.254	.468	V	411275	41	
-	-	.661	-	99328	Redi-Sleeve	4.249	4.254	.468	H	*411275H	41	
-	8.250	.518	S	*6477S	#	4.249	4.254	.468	N	*411275N	41	
82,00mm (3.228") SHAFT						4.249	4.254	.468	S	*451275	45	
-	-	-	S	800800	VRS1	4.249	4.254	.468	N	*451275N	45	
-	-	-	V	800804	VRS1	4.249	4.254	.500	S	415304	41	
-	-	-	V	800805	VRS2	4.249	4.254	.500	N	*415304N	41	
-	-	.661	-	99328	Redi-Sleeve	4.249	4.254	.500	V	*415304V	41	
99.50	99.77	12.70	V	320691★◀	32	4.249	4.254	.500	S	*455304	45	
3.918	3.928	.500	-	-	-	4.249	4.254	.500	N	*455304N	45	
105.00	105.25	13.00	S	82X105X13★	25	4.249	4.254	.500	V	*455304V	45	
4.134	4.144	.512	-	-	-	4.249	4.254	.500	S	*475304	47	
105.00	105.30	13.00	H	1945★◀	32	4.249	4.254	.500	S	*485304	48	
4.134	4.146	.512	-	-	-	4.249	4.254	.625	S	*415018	41	
105.00	105.30	13.00	H	228480★◀	#	4.249	4.254	.625	N	*415018N	41	
4.134	4.146	.512	-	-	-	4.249	4.254	.625	S	455018	45	
-	-	-	-	-	-	4.249	4.254	.625	H	*455018H	45	
-	-	-	-	-	-	4.249	4.254	.625	N	455018N	45	
-	-	-	-	-	-	4.249	4.254	.625	S	*475018	47	
-	-	-	-	-	-	4.249	4.254	.625	S	*485018	48	
-	-	-	-	-	-	4.249	4.260	.662	V	4543V➔	#	
-	-	-	-	-	-	4.249	4.282	.650	N	4875N➔	#	
-	-	-	-	-	-	4.250	4.254	.500	S	*9640	#	

For Illustration and Material Data See Technical Section

Designed For A Specific Application - Not Recommended For General Use ➔ Hydrodynamic Lip Design-CW ◀ Hydrodynamic Lip Design-CCW

◀➔ Hydrodynamic Lip Design-Bidirectional % External Bore

* The U.S. customer service number is 877-4-TIMKEN. The Canadian customer service numbers are 800-565-4927 (English) and 800-565-0438 (French-Canadian). ★ Metric Seal

Size Section

Hsg. Bore	Seal O.D.	Seal Width	Lip Mat'l	Part No.	Type/ Illus.	Hsg. Bore	Seal O.D.	Seal Width	Lip Mat'l	Part No.	Type/ Illus.
3.250" (3-1/4") SHAFT (cont.)						3.253" SHAFT (cont.)					
4.250	4.255	.500	U	710016	#	-	-	.813		99325	Redi-Sleeve
4.330	4.340	.250	S	*345703	34	4.249	4.260	.635	V	100494➔	08
4.376	4.381	.500	S	*417181	41	4.499	4.505	.468	S	*2109	41
4.376	4.381	.500	S	*457181	45	5.500	5.511	.630	V	4544V➔	#
4.376	4.381	.500	S	*477181	47	5.500	5.511	.635	V	100557➔	08
4.376	4.381	.500	S	*487181	48	3.263" SHAFT					
4.376	4.381	.562	S	*416290	41	-	-	-	S	800800	VRS1
4.376	4.381	.562	S	*456290	45	-	-	-	V	800804	VRS1
4.376	4.381	.562	V	*456290V	45	-	-	-	V	800805	VRS2
4.376	4.381	.625	S	*415162	41	3.275	4.110	.500	S	*8710	#
4.376	4.381	.625	S	*455162	45	83,00mm (3.268") SHAFT					
4.376	4.381	.625	N	*455162N	45	-	-	-	S	800800	VRS1
4.376	4.381	.625	S	*485162	48	-	-	-	V	800804	VRS1
4.499	4.504	.468	S	415137	41	-	-	-	V	800805	VRS2
4.499	4.504	.468	S	455137	45	100,00	100,20	9,00	H	228250★◀	32
4.499	4.504	.468	V	*455137V	45	3.937	3.945	.354			
4.499	4.504	.468	S	*475137	47	103,72	104,00	9,00	S	*83X104X9★	32
4.499	4.504	.468	N	*475137N	47	4.083	4.094	.354			
4.499	4.504	.468	S	*485137	48	109,72	110,00	13,00	S	*83X110X13★	32
4.500	4.505	.406	F	*296051	29	4.320	4.331	.512			
4.500	4.506	.375	S	*418028	41	116,72	117,00	14,00	S	*83X117X14★	32
4.500	4.506	.500	S	417352	41	4.595	4.606	.551			
4.500	4.506	.500	S	*457352	45	3.270" SHAFT					
4.500	4.506	.500	S	*477352	47	-	-	-	S	800800	VRS1
4.500	4.506	.500	S	*487352	48	-	-	-	V	800804	VRS1
4.500	4.506	.605	S	370018A	06	-	-	-	V	800805	VRS2
4.500	4.507	.718	S	6584S&	74	3.655	3.660	.500	S	*2499	#
4.500	4.600	.315	S	7208S%	200E	3.298" SHAFT					
4.501	4.506	.468	S	*455615	45	4.125	4.130	.562	S	455500	45
4.626	4.631	.437	S	*476303	47	4.125	4.130	.562	S	475500	47
4.626	4.631	.437	S	*486303	48	4.125	4.130	.562	N	*485500N	48
4.626	4.631	.625	S	*416304	41	84,00mm (3.307") SHAFT					
4.626	4.632	.500	S	*417353	41	-	-	.813		99331	Redi-Sleeve
4.626	4.632	.500	S	*457353	45	99,72	100,00	10,00	S	*84X100X10★	32
4.626	4.632	.500	S	*477353	47	3.926	3.937	.394			
4.626	4.632	.500	S	*487353	48	100,00	100,10	10,00	S	710294★	47
4.626	4.633	.706	S	*9583◀➔	#	3.937	3.941	.394			
4.718	4.723	.468	L	55236	5L	100,00	100,20	12,00	S	*84X100X12★	32
4.723	4.729	.468	S	*415577	41	3.937	3.945	.472			
4.723	4.729	.468	N	*415577N	41	104,00	0,00	10,01	V	228411★	32
4.723	4.729	.468	S	*455577	45	4.094	.000	.394			
4.751	4.756	.484	S	*456305	45	104,00	104,28	11,00	V	228410★◀	32
4.751	4.756	.500	S	*456306	45	4.094	4.106	.433			
4.751	4.756	.625	S	*415265	41	118,00	118,10	7,00	V	710363★◀	#
4.751	4.756	.625	N	*415265N	41	4.646	4.650	.276			
4.751	4.756	.625	S	*455265	45	3.312" (3-5/16") SHAFT					
4.751	4.756	.625	S	*475265	47	-	-	.813		99331	Redi-Sleeve
4.751	4.756	.625	S	*485265	48	4.249	4.253	.500	S	*456292	45
4.999	5.004	.468	S	*415023	41	4.249	4.254	.500	S	*416292	41
4.999	5.004	.468	S	*455023	45	4.249	4.254	.750	S	*8229	#
4.999	5.004	.468	S	*475023	47	4.376	4.381	.500	S	*417491	41
4.999	5.004	.468	S	*485023	48	4.376	4.381	.625	S	*455163	45
4.999	5.004	.500	S	*416309	41	4.376	4.381	.625	H	*455163H	45
5.251	5.256	.468	S	*415328	41	4.499	4.504	.468	S	*415085	41
5.251	5.256	.468	S	455328	45	4.499	4.504	.468	S	*455085	45
5.251	5.256	.468	S	*475328	47	4.499	4.504	.468	V	*455085V	45
5.251	5.256	.468	S	*485328	48	4.499	4.504	.468	S	*475085	47
5.500	5.506	.500	N	417987N	41	4.501	4.506	.468	S	456648	45
6.125	6.149	.500	S	*2699	#	4.501	4.506	.605	S	370191A	06
6.374	6.380	.468	S	*487056	48	3.253" SHAFT					
-	-	-	S	800800	VRS1	-	-	-	S	800800	VRS1
-	-	-	V	800804	VRS1	-	-	-	V	800804	VRS1
-	-	-	V	800805	VRS2	-	-	-	V	800805	VRS2
-	-	.595		99324	Redi-Sleeve	-	-	.595		99324	Redi-Sleeve
-	-	.600		99323	Redi-Sleeve	-	-	.600		99323	Redi-Sleeve
-	-	.688		*99326	Redi-Sleeve	-	-	.688		*99326	Redi-Sleeve
-	-	.813		99322	Redi-Sleeve	-	-	.813		99322	Redi-Sleeve

SIZE SECTION

For Illustration and Material Data See Technical Section

Designed For A Specific Application - Not Recommended For General Use ➔ Hydrodynamic Lip Design-CW ◀ Hydrodynamic Lip Design-CCW

◀➔ Hydrodynamic Lip Design-Bidirectional % External Bore & Flanged O.D.

* The U.S. customer service number is 877-4-TIMKEN. The Canadian customer service numbers are 800-565-4927 (English) and 800-565-0438 (French-Canadian). ★ Metric Seal

Hsg. Bore	Seal O.D.	Seal Width	Lip Mat'l	Part No.	Type/ Illus.	Hsg. Bore	Seal O.D.	Seal Width	Lip Mat'l	Part No.	Type/ Illus.
3.312" (3-5/16") SHAFT (cont.)						85,00mm (3.346") SHAFT (cont.)					
4.751	4.756	.500	S	416313	41	129,70	130,00	12,00	S	*85X130X12★	32
4.999	5.004	.468	S	455024	45	5.106	5.118	.472			
5.000	5.006	.937	S	370013A	03	129,70	130,00	14,00	S	*85X130X14★	32
5.125	5.131	.500	S	*457961	45	5.106	5.118	.551			
5.501	5.506	.562	S	*455612	45	130,00	130,15	12,70	S	85X130X13★	48
5.501	5.506	.562	N	*455612N	45	5.118	5.124	.500			
3.330" SHAFT						130,00	130,15	12,70	S	*476516★	47
4.125	4.130	.562	S	477055	47	5.118	5.124	.500			
5.045	5.050	.800	S	710088	#	139,70	140,00	12,00	S	*85X140X12★	32
85,00mm (3.346") SHAFT						5.500	5.512	.472			
-	-	.827		99333	Redi-Sleeve	3.350" SHAFT					
-	-	.827		99334	Redi-Sleeve	4.250	4.280	.635	V	100400V	08
-	102,57	25,40	T	*100467★➔	#	3.375" (3-3/8") SHAFT					
-	4.038	1.000				-	-	.375	*99338	Redi-Sleeve	
99,72	100,00	9,00	S	*85X100X9★	32	-	-	.813	99337	Redi-Sleeve	
3.926	3.937	.354				3.948	3.955	.375	N	5128N	32
99,72	100,00	10,00	S	*85X100X10★	32	3.948	3.955	.375	S	710077	32
3.926	3.937	.394				4.125	4.130	.375	S	415442	41
99,72	100,00	12,00	S	*85X100X12★	32	4.249	4.254	.468	S	476028	47
3.926	3.937	.472				4.249	4.254	.468	N	*476028N	47
104,72	105,00	12,00	S	*85X105X12★	32	4.249	4.254	.500	S	416294	41
4.123	4.134	.472				4.249	4.254	.500	H	*416294H	41
105,00	105,28	10,00	S	85X105X10★	32	4.249	4.254	.500	N	*416294N	41
4.134	4.145	.394				4.249	4.254	.500	V	416294V	41
105,00	105,28	10,00	H	716102★◀	32	4.249	4.254	.500	S	*456294	45
4.134	4.145	.394				4.249	4.254	.500	H	*456294H	45
105,00	105,28	13,00	S	85X105X13★	32	4.249	4.254	.500	N	*456294N	45
4.134	4.145	.512				4.249	4.254	.500	S	*476294	47
4.135	4.148	.465	N	*3590	#	4.249	4.254	.500	S	*486294	48
109,72	110,00	13,00	S	*85X110X13★	32	4.249	4.254	.625	S	*415613	41
4.320	4.331	.512				4.249	4.254	.625	S	*455613	45
110,00	110,20	10,00	S	85X110X10★	35	4.249	4.254	.625	S	*475613	47
4.331	4.339	.394				4.249	4.254	.625	S	*485613	48
110,00	110,20	12,00	V	*85X110X12V★	32	4.250	4.255	.280	S	*487319	48
4.331	4.339	.472				4.275	4.380	.730	S	*48130%	#
110,00	110,28	12,00	S	228520★	35	4.280	4.285	.406	H	*475996H	47
4.331	4.342	.472				4.280	4.285	.406	N	*485996N	48
110,00	110,28	12,00	S	85X110X12★	32	4.370	4.375	.250	S	486567	48
4.331	4.342	.472				4.376	4.381	.250	S	*47757	45S
110,72	111,00	10,00	S	*85X111X10★	32	4.376	4.381	.375	S	412473	41
4.359	4.370	.394				4.376	4.381	.375	S	*472473	47
113,00	113,20	10,50	N	710330★	#	4.376	4.381	.375	H	*472473H	47
4.449	4.457	.413				4.376	4.381	.500	S	415894	41
114,22	114,50	12,00	S	*85X114.5X12★	32	4.376	4.381	.500	S	*455894	45
4.497	4.508	.472				4.376	4.381	.500	N	*455894N	45
114,72	115,00	15,00	S	*85X115X15★	32	4.376	4.381	.500	S	*475894	47
4.517	4.528	.591				4.376	4.381	.500	S	*485894	48
115,00	115,00	13,00	S	85X115X13★	35	4.376	4.381	.562	S	*411414	41
4.528	4.528	.512				4.376	4.381	.562	N	*411414N	41
115,00	115,20	12,00	S	*85X115X12★	32	4.376	4.381	.562	S	*451414	45
4.528	4.535	.472				4.376	4.381	.562	H	*451414H	45
115,00	115,27	7,00	S	85X115X7★	32	4.376	4.381	.562	N	*451414N	45
4.528	4.538	.276				4.376	4.381	.562	S	*481414	48
119,72	120,00	10,00	S	*85X120X10★	32	4.376	4.381	.562	H	*481414H	48
4.713	4.724	.394				4.376	4.381	.625	S	*415164	41
119,72	120,00	13,00	S	*85X120X13★	32	4.376	4.381	.625	N	415164N	41
4.713	4.724	.512				4.376	4.381	.625	S	*455164	45
119,72	120,00	15,00	S	*85X120X15★	32	4.376	4.381	.625	N	*455164N	45
4.713	4.724	.591				4.499	4.504	.468	S	*415165	41
120,00	120,28	12,00	S	85X120X12★	32	4.499	4.504	.468	H	*415165H	41
4.724	4.735	.472				4.499	4.504	.468	S	455165	45
124,72	125,00	13,00	S	*85X125X13★	32	4.499	4.504	.468	N	*455165N	45
4.910	4.921	.512				4.499	4.504	.468	V	*455165V	45
124,72	125,00	14,00	S	*85X125X14★	32	4.499	4.504	.468	S	*475165	47
4.910	4.921	.551				4.499	4.504	.468	S	*485165	48
125,00	125,20	12,00	S	85X125X12★	32	4.500	4.506	.500	S	417191	41
4.921	4.929	.472				4.500	4.506	.500	V	*417191V	41

For Illustration and Material Data See Technical Section

Designed For A Specific Application - Not Recommended For General Use ➔ Hydrodynamic Lip Design-CW ◀ Hydrodynamic Lip Design-CCW % External Bore

* The U.S. customer service number is 877-4-TIMKEN. The Canadian customer service numbers are 800-565-4927 (English) and 800-565-0438 (French-Canadian). ★ Metric Seal

Size Section

Hsg. Bore	Seal O.D.	Seal Width	Lip Mat'l	Part No.	Type/ Illus.	Hsg. Bore	Seal O.D.	Seal Width	Lip Mat'l	Part No.	Type/ Illus.
3.375" (3-3/8") SHAFT (cont.)						3.437" SHAFT (cont.)					
4.500	4.506	.500	S	*457191	45	5.250	5.256	.468	S	455471	45
4.500	4.506	.500	S	*477191	47	5.501	5.506	.562	S	*455472	45
4.500	4.506	.500	S	*487191	48	88,00mm (3.465") SHAFT					
4.500	4.800	.315	S	*200922%	200E	<i>106,00</i>	<i>106,28</i>	<i>8,50</i>	V	710188★◀	32
4.501	4.506	.468	S	456585	45	4.173	4.184	.335			
4.501	4.506	.625	S	*55331	5S	107,72	108,00	11,00	S	*88X108X11★	32
4.626	4.631	.437	S	*476319	47	4.241	4.252	.433			
4.626	4.631	.437	S	*486319	48	108,00	108,36	11,10	H	3772★◀	35
4.626	4.631	.437	V	*486319V	48	4.252	4.266	.437			
4.626	4.631	.625	S	*455168	45	108,00	108,36	11,10	T	*100239T★◀	FW-H
4.626	4.631	.625	N	*455168N	45	4.252	4.266	.437			
4.626	4.631	.687	N	*7775N	#	110,00	110,28	12,00	S	88X110X12★	35
4.626	4.632	.500	S	417354	41	4.331	4.342	.472			
4.626	4.632	.500	S	*457354	45	115,00	115,20	12,00	S	*88X115X12★	32
4.626	4.632	.500	S	*477354	47	4.528	4.535	.472			
4.626	4.632	.500	S	*487354	48	120,00	120,20	12,00	S	*88X120X12★	32
4.688	4.693	.500	S	455249	45	4.724	4.732	.472			
4.718	4.723	.468	L	*55431	5L	3.468" (3-15/32") SHAFT					
4.751	4.756	.500	S	416321	41	4.626	4.631	.625	S	2055	47
4.751	4.756	.625	S	*416323	41	3.478" SHAFT					
4.751	4.756	.625	S	*456323	45	-	-	-	S	800900	VRS1
4.751	4.756	.625	S	*476323	47	-	-	-	S	800901	VRS2
4.751	4.756	.625	S	*486323	48	-	-	-	V	800904	VRS1
4.999	5.004	.468	S	415025	41	-	-	.781		99340	Redi-Sleeve
4.999	5.004	.468	N	*415025N	41	4.922	4.927	.468	S	*200118	200
4.999	5.004	.468	S	*455025	45	3.500" (3-1/2") SHAFT					
4.999	5.004	.468	S	*475025	47	-	-	-	S	800900	VRS1
4.999	5.004	.468	S	*485025	48	-	-	-	S	800901	VRS2
4.999	5.004	.500	S	*456325	45	-	-	-	V	800904	VRS1
5.251	5.256	.468	S	416327	41	-	-	.315		99347	Redi-Sleeve
5.251	5.256	.468	S	*456327	45	-	-	.813		99350	Redi-Sleeve
5.251	5.256	.468	S	*476327	47	4.000	-	.313	U	710029	#
5.251	5.256	.468	S	*486327	48	4.125	-	.313	U	710030	#
86,00mm (3.386") SHAFT						4.125	4.130	.250	S	45525S	4S
<i>99,72</i>	<i>100,00</i>	<i>10,00</i>	S	*86X100X10★	32	4.125	4.130	.250	S	446927	44
3.926	3.937	.394				4.331	4.346	.472	T	712116▶	FW-H
103,00	103,23	10,00	V	710235★◀	32	4.375	4.381	.562	S	*415899	41
4.055	4.064	.394				4.375	4.381	.562	N	415899N	41
104,00	104,23	11,00	V	710232★◀	32	4.375	4.381	.562	S	*455899	45
4.094	4.104	.433				4.376	4.381	.375	S	*457599	45
3.410" SHAFT						4.376	4.381	.375	S	*477599	47
5.251	5.257	.500	S	*200167	200	4.376	4.381	.500	V	*3575V	#
87,00mm (3.425") SHAFT						4.376	4.381	.500	S	416624	41
100,00	100,20	8,00	H	228700★◀	32	4.376	4.381	.500	N	416624N	41
3.937	3.945	.315				4.376	4.381	.500	V	*416624V	41
3.437" SHAFT						4.376	4.381	.500	S	*456624	45
-	-	.781		99339	Redi-Sleeve	4.376	4.381	.500	S	*476624	47
4.249	4.254	.375	S	418029	41	4.376	4.381	.500	V	*476624V	47
4.249	4.254	.375	V	*418029V	41	4.376	4.381	.500	S	*486624	48
4.249	4.254	.625	S	455499	45	4.376	4.381	.500	S	*456068	45
4.499	4.504	.468	S	*455166	45	4.437	4.437	.437	L	5965%	8L
4.501	4.506	.375	V	417492V	41	4.450	4.455	.525	S	9339S	278
4.501	4.506	.375	S	417492	41	4.450	4.456	.843	S	370179A	07
4.501	4.506	.468	S	*416365	41	4.499	4.504	.468	S	415146	41
4.501	4.506	.468	S	*476365	47	4.499	4.504	.468	N	*415146N	41
4.501	4.506	.625	L	55419	5L	4.499	4.504	.468	S	455146	45
4.625	4.725	.484	S	*84082%	8S	4.499	4.504	.468	V	*455146V	45
4.626	4.631	.500	S	417493	41	4.499	4.504	.468	S	*475146	47
4.626	4.631	.500	V	*417493V	41	4.499	4.504	.468	N	*475146N	47
4.755	4.761	.605	S	370047A	06	4.499	4.504	.468	S	*485146	48
4.756	4.761	.562	S	455858	45	4.499	4.508	.250	S	345146	34
4.876	4.881	.500	S	417494	41	4.500	4.504	.500	U	710015	#
4.876	4.881	.625	S	*455341	45	4.500	4.505	.250	S	*8892	#
4.999	5.004	.468	S	455026	45						

For Illustration and Material Data See Technical Section

Designed For A Specific Application - Not Recommended For General Use ▶ Hydrodynamic Lip Design-CW ◀ Hydrodynamic Lip Design-CCW % External Bore

* The U.S. customer service number is 877-4-TIMKEN. The Canadian customer service numbers are 800-565-4927 (English) and 800-565-0438 (French-Canadian). ★ Metric Seal

Hsg. Bore	Seal O.D.	Seal Width	Lip Mat'l	Part No.	Type/ Illus.	Hsg. Bore	Seal O.D.	Seal Width	Lip Mat'l	Part No.	Type/ Illus.	
3.500" (3-1/2") SHAFT (cont.)						3.500" (3-1/2") SHAFT (cont.)						
4.500	4.506	.375	S	*477437	47	5.126	5.131	.625	N	715319	47	
4.500	4.506	.500	S	*416414	41	5.250	5.256	.500	N	*3814N	#	
4.500	4.506	.500	S	*456414	45	5.250	5.258	.562	S	6612S	#	
4.500	4.506	.500	S	*476414	47	5.251	5.256	.468	S	415559	41	
4.500	4.506	.500	S	*486414	48	5.251	5.256	.468	S	*455559	45	
4.501	4.506	.468	S	415991	41	5.251	5.256	.468	S	*475559	47	
4.501	4.506	.468	N	415991N	41	5.251	5.256	.468	S	*485559	48	
4.501	4.506	.468	V	415991V	41	5.500	5.505	.500	S	417496	41	
4.501	4.506	.468	S	*455991	45	5.501	5.506	.562	S	*415262	41	
4.501	4.506	.468	N	*475991N	47	5.501	5.506	.562	S	*455262	45	
4.501	4.506	.468	N	*485991N	48	5.501	5.506	.562	S	*475262	47	
4.501	4.506	.468	V	712750	41	5.501	5.506	.562	S	*485262	48	
4.501	4.506	.500	V	4491	#	5.750	5.756	.875	L	*5961	91	
4.501	4.506	.500	H	*456414H	45	5.751	5.756	.562	S	*415396	41	
4.501	4.506	.875	S	*15305S	1S	5.751	5.756	.562	S	455396	45	
4.501	4.511	.528	S	*355305	35	5.751	5.756	.562	S	*475396	47	
4.501	4.511	.528	N	*355305N	35	5.751	5.756	.562	S	*485396	48	
4.543	4.558	.788	S	370132A	07	5.906	7.500	.600	N	*4409N	#	
4.600	6.625	.531	S	*6245S	#	6.000	6.008	1.546	S	*712130	#	
4.625	4.631	.500	S	417196	41	89,00mm (3.504") SHAFT						
4.625	4.631	.500	V	*417196V	41	-	-	-	S	800900	VRS1	
4.625	4.631	.500	S	*457196	45	-	-	-	S	800901	VRS2	
4.625	4.631	.500	S	*477196	47	-	-	-	V	800904	VRS1	
4.625	4.631	.500	S	*487196	48	-	-	-	-	99347	Redi-Sleeve	
4.626	4.631	.437	S	*476328	47	-	-	-	-	.315	99349	Redi-Sleeve
4.626	4.631	.437	S	*486328	48	-	-	-	-	.626	99349	Redi-Sleeve
4.626	4.631	.625	S	415170	41	-	-	-	-	.813	99350	Redi-Sleeve
4.626	4.631	.625	S	*455170	45	105,00	105,20	10,00	V	710189★	47	
4.626	4.631	.625	N	*455170N	45	4.134	4.142	.394	-	-	-	
4.626	4.631	.625	S	*475437	47	109,00	109,20	9,00	H	229004★	32	
4.750	4.756	.500	S	*485437	48	4.291	4.299	.354	-	-	-	
4.751	4.756	.375	N	476424N	47	3.506" SHAFT						
4.751	4.756	.500	S	415437	41	.000	4.117	.453	S	710514	41	
4.751	4.756	.500	S	*455437	45	3.539" SHAFT						
4.751	4.756	.500	N	455437N	45	5.277	5.291	.604	V	370212A	07	
4.751	4.756	.625	S	*55173	5S	90,00mm (3.543") SHAFT						
4.751	4.756	.625	S	*415173	41	-	-	-	S	800900	VRS1	
4.751	4.756	.625	N	*415173N	41	-	-	-	S	800901	VRS2	
4.751	4.756	.625	S	455173	45	-	-	-	V	800904	VRS1	
4.751	4.756	.625	N	*455173N	45	-	-	-	-	.528	*99353	Redi-Sleeve
4.751	4.756	.625	S	*475173	47	-	-	-	-	.710	99351	Redi-Sleeve
4.751	4.756	.625	S	*485173	48	-	-	-	-	.906	99354	Redi-Sleeve
4.751	4.757	.605	S	370169A	07	0,00	120,00	16,00	V	710454★	#	
4.840	4.848	.897	S	*2910	#	.000	4.724	.630	-	-	-	
4.841	4.848	.875	S	6638S	#	99,72	100,00	7,00	S	*90X100X7★	32	
4.842	4.847	.910	T	380001A	10	3.926	3.937	.276	-	-	-	
4.842	4.848	.875	S	*8880	#	99,72	100,00	12,00	S	*90X100X12★	32	
4.842	4.848	.925	S	370001A	09	3.926	3.937	.472	-	-	-	
4.864	4.964	.321	S	*200961%	200E	104,00	104,10	11,00	V	710237★	32	
4.864	4.964	.321	S	*200204	200	4.094	4.098	.433	-	-	-	
4.875	4.881	.500	S	417198	41	104,72	105,00	12,00	S	*90X105X12★	32	
4.875	4.881	.625	S	*455255	45	4.123	4.134	.472	-	-	-	
4.875	4.881	.925	S	*7955	39	104,72	105,00	13,00	S	*90X105X13★	32	
4.921	5.021	.321	S	*200878%	200E	4.123	4.134	.512	-	-	-	
4.999	5.004	.468	S	415027	41	108,00	108,23	10,00	N	710219★	32	
4.999	5.004	.468	H	415027H	41	4.252	4.261	.394	-	-	-	
4.999	5.004	.468	N	415027N	41	109,72	110,00	10,00	S	*90X110X10★	32	
4.999	5.004	.468	S	455027	45	4.320	4.331	.394	-	-	-	
4.999	5.004	.468	H	*455027H	45	110,00	110,20	9,00	H	229006★	32	
4.999	5.004	.468	N	455027N	45	4.331	4.339	.354	-	-	-	
4.999	5.004	.468	S	*475027	47	110,00	110,20	12,00	S	90X110X12★	35	
4.999	5.004	.468	S	*485027	48	4.331	4.339	.472	-	-	-	
4.999	5.004	.468	N	*485027N	48	3.506" SHAFT						
4.999	5.004	.500	N	*416331N	41	.000	4.117	.453	S	710514	41	
4.999	5.004	.500	S	*456331	45	3.539" SHAFT						
4.999	5.004	.500	H	*456331H	45	5.277	5.291	.604	V	370212A	07	
5.000	5.006	1.000	S	370002A	03	90,00mm (3.543") SHAFT						
5.126	5.131	.500	S	417495	41	-	-	-	S	800900	VRS1	
5.126	5.131	.625	S	*415319	41	-	-	-	S	800901	VRS2	
5.126	5.131	.625	N	*415319N	41	-	-	-	V	800904	VRS1	
5.126	5.131	.625	S	*455319	45	-	-	-	-	.528	*99353	Redi-Sleeve
5.126	5.131	.625	N	*475319N	47	-	-	-	-	.710	99351	Redi-Sleeve
						-	-	-	-	.906	99354	Redi-Sleeve

For Illustration and Material Data See Technical Section

Designed For A Specific Application - Not Recommended For General Use ◆ Hydrodynamic Lip Design-CCW % External Bore

* The U.S. customer service number is 877-4-TIMKEN. The Canadian customer service numbers are 800-565-4927 (English) and 800-565-0438 (French-Canadian). ★ Metric Seal

Size Section

Hsg. Bore	Seal O.D.	Seal Width	Lip Mat'l	Part No.	Type/ Illus.	Hsg. Bore	Seal O.D.	Seal Width	Lip Mat'l	Part No.	Type/ Illus.
90,00mm (3.543") SHAFT (cont.)						3.562" (3-9/16") SHAFT					
110,00	110,20	12,00	V	*90X110X12V★	32	-	-	-	S	800900	VRS1
4.331	4.339	.472				-	-	-	S	800901	VRS2
110,00	110,31	8,50	H	229010★◄	32	-	-	-	V	800904	VRS1
4.331	4.343	.335				-	-	.813		99356	Redi-Sleeve
110,00	110,31	12,00	V	229005★◄	32	4.499	4.504	.468	S	415498	41
4.331	4.343	.472				4.499	4.504	.468	S	*455498	45
110,00	110,31	13,00	S	*90X110X13★	35	4.499	4.504	.468	N	*455498N	45
4.331	4.343	.512				4.499	4.504	.468	S	*485498	48
110,00	110,40	12,00	T	712124★➡	FW-H	4.500	4.506	.500	V	*416113V	41
4.331	4.346	.472				4.500	4.506	.500	S	*456113	45
111,72	112,00	12,00	S	*90X112X12★	32	4.500	4.506	.500	N	*456113N	45
4.398	4.409	.472				4.625	4.631	.500	S	415711	41
112,42	112,70	13,00	S	*90X112.7X13★	32	4.626	4.631	.562	N	*476591N	47
4.426	4.437	.512				4.751	4.756	.500	S	417497	41
114,72	115,00	10,00	S	*90X115X10★	32	4.751	4.756	.625	S	*455174	45
4.517	4.528	.394				4.755	4.761	.550	S	9584&	74
114,72	115,00	13,00	S	*90X115X13★	32	4.876	4.881	.500	S	417498	41
4.517	4.528	.512				4.999	5.004	.468	L	55028	5L
115,00	115,14	17,12	S	*4789S★◄➡	#	5.751	5.756	.562	S	*455402	45
4.528	4.533	.674				3.574" SHAFT					
115,00	115,20	12,00	S	90X115X12★	32	-	-	-	S	800900	VRS1
4.528	4.535	.472				-	-	-	S	800901	VRS2
117,72	118,00	12,00	S	*90X118X12★	32	-	-	-	V	800904	VRS1
4.635	4.646	.472				4.756	4.761	.550	N	*4173	#
119,72	120,00	13,00	S	*90X120X13★	32	91,00mm (3.583") SHAFT					
4.713	4.724	.512				-	-	-	S	800900	VRS1
120,00	120,20	12,00	V	*90X120X12V★	35	-	-	-	S	800901	VRS2
4.724	4.732	.472				-	-	-	V	800904	VRS1
120,00	120,28	12,00	S	90X120X12★◄➡	32	110,00	110,26	8,50	V	229210★◄➡	32
4.724	4.735	.472				4.331	4.341	.335			
124,72	125,00	15,00	S	*90X125X15★	32	111,00	111,13	10,01	T	*100052T★◄	FW-H
4.910	4.921	.591				4.370	4.375	.394			
125,00	125,20	12,00	S	*90X125X12★	32	111,00	111,20	10,00	V	710056★◄	47
4.921	4.929	.472				4.370	4.378	.394			
125,00	125,30	13,00	S	90X125X13★	32	3.620" SHAFT					
4.921	4.933	.512				-	-	-	S	800900	VRS1
125,00	125,70	7,00	S	90X125X7★	32	-	-	-	S	800901	VRS2
4.921	4.949	.276				-	-	-	V	800904	VRS1
129,70	130,00	10,00	S	*90X130X10★	32	-	-	.811	*99360	Redi-Sleeve	
5.106	5.118	.394				4.625	4.630	.400	T	39882➡	FW-H
129,70	130,00	13,00	S	*90X130X13★	32	92,00mm (3.622") SHAFT					
5.106	5.118	.512				-	-	-	S	800900	VRS1
130,00	130,20	12,00	S	*90X130X12★	32	-	-	-	S	800901	VRS2
5.118	5.126	.472				-	-	-	V	800904	VRS1
134,70	135,00	13,00	S	*90X135X13★	32	-	-	.811	*99360	Redi-Sleeve	
5.303	5.315	.512				4.625	4.630	.400	T	39882➡	FW-H
135,00	135,20	12,00	S	*90X135X12★	32	92,00mm (3.622") SHAFT					
5.315	5.323	.472				-	-	-	S	800900	VRS1
140,00	140,20	12,00	S	*90X140X12★	32	-	-	-	S	800901	VRS2
5.512	5.520	.472				-	-	-	V	800904	VRS1
145,00	145,20	14,00	S	90X145X14★	32	-	-	.811	*99360	Redi-Sleeve	
5.709	5.717	.551				110,00	110,29	10,00	H	355660H★	35
157,86	158,00	14,27	T	39865★➡	#	4.331	4.342	.394			
6.215	6.220	.562				119,72	120,00	12,00	S	*92X120X12★	32
159,70	160,00	10,00	S	*90X160X10★	32	4.713	4.724	.472			
6.287	6.299	.394				120,00	120,24	13,00	S	92X120X13★	35
3.550" SHAFT						4.724	4.734	.512			
-	-	-	S	800900	VRS1	3.625" (3-5/8") SHAFT					
-	-	-	S	800901	VRS2	-	-	-	S	800900	VRS1
-	-	-	V	800904	VRS1	-	-	-	S	800901	VRS2
4.376	4.381	.375	N	*455923N	45	-	-	.500	99363	Redi-Sleeve	
3.557" SHAFT						-	-	.813	99362	Redi-Sleeve	
-	-	-	S	800900	VRS1	-	-	-	S	800904	VRS1
-	-	-	S	800901	VRS2	4.240	4.256	.390	V	3909◄	35
-	-	-	V	800904	VRS1	4.240	4.256	.390	T	*100204T◄	FW-H
4.530	4.530	.320	S	*8480	#	4.249	4.254	.250	S	*47010S	4S

SIZE SECTION

For Illustration and Material Data See Technical Section

Designed For A Specific Application - Not Recommended For General Use ➡ Hydrodynamic Lip Design-CW ◄ Hydrodynamic Lip Design-CCW

◄➡ Hydrodynamic Lip Design-Bidirectional & Flanged O.D.

* The U.S. customer service number is 877-4-TIMKEN. The Canadian customer service numbers are 800-565-4927 (English) and 800-565-0438 (French-Canadian). ★ Metric Seal

Hsg. Bore	Seal O.D.	Seal Width	Lip Mat'l	Part No.	Type/ Illus.	Hsg. Bore	Seal O.D.	Seal Width	Lip Mat'l	Part No.	Type/ Illus.
3.625" (3-5/8") SHAFT (cont.)						3.625" (3-5/8") SHAFT (cont.)					
4.375	4.381	.375	S	*456744	45	5.375	5.381	.500	S	415832	41
4.375	4.381	.375	N	456744N	45	5.375	5.381	.500	S	*455832	45
4.376	4.381	.375	S	417698	41	5.501	5.506	.500	S	417500	41
4.499	4.504	.468	S	415389	41	5.501	5.506	.562	S	*416389	41
4.499	4.504	.468	N	415389N	41	5.501	5.506	.562	S	*456389	45
4.499	4.504	.468	S	*455389	45	5.501	5.506	.562	S	*476389	47
4.499	4.504	.468	H	*455389H	45	5.751	5.756	.562	S	415436	41
4.499	4.504	.468	V	*455389V	45	5.751	5.756	.562	S	*455436	45
4.499	4.504	.468	S	*475389	47	5.751	5.756	.562	S	*475436	47
4.499	4.504	.468	N	*475389N	47	5.751	5.756	.562	S	*485436	48
4.499	4.504	.468	S	*485389	48	6.000	6.006	.500	S	*417650	41
4.624	4.629	.500	S	*456003	45	3.655" SHAFT					
4.624	4.630	.500	N	*487397N	48	-	-	-	S	800900	VRS1
4.624	4.630	.500	V	487397V➔	48	-	-	-	S	800901	VRS2
4.625	4.631	.437	S	416332	41	-	-	-	V	800904	VRS1
4.625	4.631	.500	S	416047	41	4.620	4.631	.270	S	*4203◄➔	#
4.625	4.631	.500	S	*456047	45	93,00mm (3.661") SHAFT					
4.625	4.631	.500	S	*476047	47	-	-	-	S	800950	VRS1
4.625	4.631	.500	S	*486047	48	-	-	-	V	800954	VRS1
4.625	4.631	.625	N	*415172N	41	114,00	114,20	14,00	S	710288★◄	32
4.626	4.631	.437	S	*476332	47	4.488	4.496	.551			
4.626	4.631	.437	H	*476332H	47	154,00	154,10	8,00	S	710266★	#
4.626	4.631	.437	N	*476332N	47	6.063	6.067	.315			
4.626	4.631	.437	S	*486332	48	3.687" (3-11/16") SHAFT					
4.626	4.631	.437	N	*486332N	48	-	-	-	S	800950	VRS1
4.626	4.631	.625	V	*415172V	41	-	-	-	V	800954	VRS1
4.626	4.631	.625	S	*455172	45	-	-	.313		99368	Redi-Sleeve
4.626	4.631	.625	N	*455172N	45	-	-	.813		*99359	Redi-Sleeve
4.626	4.631	.625	V	*455172V	45	-	-	.813		*99365	Redi-Sleeve
4.695	4.810	.395	S	200603%	200E	4.501	4.506	.500	V	456919V	45
4.725	4.730	.312	S	*255833	25	4.501	4.506	.500	S	416919	41
4.751	4.756	.484	S	*416333	41	4.501	4.506	.500	N	416919N	41
4.751	4.756	.500	T	39703➔	FW-H	4.626	4.631	.625	S	*476124	47
4.751	4.756	.500	T	39813➔	W-H	4.750	4.756	.500	S	417501	41
4.751	4.756	.500	S	415937	41	4.999	5.004	.468	L	55030	5L
4.751	4.756	.500	S	*455937	45	5.250	5.256	.468	S	416670	41
4.751	4.756	.500	S	*475937	47	5.250	5.256	.468	N	*416670N	41
4.751	4.756	.500	H	*475937H	47	5.501	5.506	.500	S	417502	41
4.751	4.756	.500	S	*485937	48	5.501	5.506	.562	S	*415269	41
4.751	4.756	.562	S	*455486	45	3.720" SHAFT					
4.751	4.756	.625	S	*415175	41	-	-	-	S	800950	VRS1
4.751	4.756	.625	S	*455175	45	-	-	-	V	800954	VRS1
4.751	4.756	.625	S	*475175	47	4.756	4.766	.640	S	*77993T	7S
4.751	4.756	.625	S	*485175	48	3.736" SHAFT					
4.810	4.823	.921	S	370012A	07	-	-	-	S	800950	VRS1
4.839	4.844	.500	L	55353	5L	-	-	-	V	800954	VRS1
4.874	4.879	.585	S	485497	48	120,00	120,40	13,00	T	712119★➔	FW-H
4.874	4.879	.625	S	*455947	45	4.724	4.740	.512			
4.875	4.881	.500	S	417355	41	3.738" SHAFT					
4.875	4.881	.500	S	*457355	45	3.750	4.500	.500	S	*7184%	#
4.875	4.881	.500	S	*477355	47	95,00mm (3.740") SHAFT					
4.875	4.881	.500	S	*487355	48	-	-	-	S	800950	VRS1
4.876	4.881	.625	S	*415181	41	-	-	-	V	800954	VRS1
4.876	4.881	.625	S	*455181	45	-	-	.344		99374	Redi-Sleeve
4.999	5.004	.468	S	*415029	41	-	-	.469		99364	Redi-Sleeve
4.999	5.004	.468	S	*455029	45	-	-	.827		99369	Redi-Sleeve
4.999	5.004	.468	H	*455029H	45	3.738" SHAFT					
4.999	5.004	.468	S	*475029	47	3.750	4.500	.500	S	*7184%	#
4.999	5.004	.468	S	*485029	48	95,00mm (3.740") SHAFT					
4.999	5.004	.500	S	416125	41	-	-	-	S	800950	VRS1
4.999	5.004	.500	S	*456125	45	-	-	-	V	800954	VRS1
4.999	5.004	.500	S	*476125	47	-	-	.344		99374	Redi-Sleeve
4.999	5.004	.500	S	*486125	48	-	-	.469		99364	Redi-Sleeve
5.000	5.014	.875	S	370011A	05	-	-	.827		99369	Redi-Sleeve
5.251	5.256	.437	S	417499	41	3.738" SHAFT					
5.251	5.256	.468	S	*416335	41	3.750	4.500	.500	S	*7184%	#
5.251	5.256	.468	N	*416335N	41	95,00mm (3.740") SHAFT					
5.251	5.256	.468	V	*416335V	41	-	-	-	S	800950	VRS1
5.251	5.256	.468	S	*456335	45	-	-	-	V	800954	VRS1
5.251	5.256	.468	S	*476335	47	-	-	.344		99374	Redi-Sleeve
5.251	5.256	.468	S	*486335	48	-	-	.469		99364	Redi-Sleeve
5.251	5.256	.468	S	*486335	48	-	-	.827		99369	Redi-Sleeve

For Illustration and Material Data See Technical Section

Designed For A Specific Application - Not Recommended For General Use ➔ Hydrodynamic Lip Design-CW ◄ Hydrodynamic Lip Design-CCW

◄ Hydrodynamic Lip Design-Bidirectional % External Bore

* The U.S. customer service number is 877-4-TIMKEN. The Canadian customer service numbers are 800-565-4927 (English) and 800-565-0438 (French-Canadian). ★ Metric Seal

Size Section

Hsg. Bore	Seal O.D.	Seal Width	Lip Mat'l	Part No.	Type/ Illus.	Hsg. Bore	Seal O.D.	Seal Width	Lip Mat'l	Part No.	Type/ Illus.
95,00mm (3.740") SHAFT (cont.)						3.750" (3-3/4") SHAFT (cont.)					
104,72	105,00	13,00	S	*95X105X13★	32	4.626	4.631	.437	S	*476336	47
4.123	4.134	.512				4.626	4.631	.437	S	*486336	48
109,72	110,00	11,00	S	*95X110X11★	32	4.626	4.632	.500	S	*416041	41
4.320	4.331	.433				4.626	4.632	.500	S	*456041	45
109,72	110,00	12,00	S	*95X110X12★	32	4.626	4.632	.500	S	*476041	47
4.320	4.331	.472				4.626	4.632	.500	S	*486041	48
110,00	110,20	10,00	S	95X110X10★	32	95,25mm (3.750") SHAFT					
4.331	4.339	.394				120,37	120,65	12,70	S	*95.25X120.65X12.7★	32
110,00	110,26	11,00	S	717005★◄	32	4.739	4.750	.500			
4.331	4.341	.433				3.750" (3-3/4") SHAFT					
113,00	113,10	10,00	V	710352★◄	47	4.750	4.756	.375	V	*486923V	48
4.449	4.453	.394				4.750	4.756	.500	V	3893V	45
114,99	115,32	12,50	T	*100203T★◄	FW-H	4.750	4.756	.500	T	39608◄	DW-H
4.527	4.540	.492				4.750	4.756	.500	T	39705►	FW-H
115,00	115,20	13,00	V	*95X115X13V★	32	4.750	4.756	.500	T	39837◄	W-H
4.528	4.535	.512				4.751	4.756	.375	N	*486544N	48
115,00	115,25	10,00	S	717006★	45	4.751	4.756	.484	N	*415963N	41
4.528	4.537	.394				4.751	4.756	.484	V	*415963V	41
115,00	115,28	12,00	S	95X115X12★	35	4.751	4.756	.484	H	*455963H	45
4.528	4.539	.472				4.751	4.756	.484	N	*455963N	45
115,00	115,28	13,00	S	*95X115X13★	35	4.751	4.756	.500	H	2218◄	47
4.528	4.539	.512				4.751	4.756	.500	V	*4936V◄	#
115,00	115,32	12,12	T	*600305★◄	#	4.751	4.756	.500	S	415379	41
4.528	4.540	.477				4.751	4.756	.500	H	*415379H	41
115,00	115,31	12,50	V	4359V★◄	32	4.751	4.756	.500	N	*415379N	41
4.528	4.540	.492				4.751	4.756	.500	V	415379V	41
118,00	118,16	8,50	H	710060★◄	32	4.751	4.756	.500	S	455379	45
4.646	4.652	.335				4.751	4.756	.500	H	*455379H	45
119,72	120,00	8,00	S	*95X120X8★	32	4.751	4.756	.500	N	*455379N	45
4.713	4.724	.315				4.751	4.756	.500	V	455379V	45
119,72	120,00	13,00	S	*95X120X13★	32	4.751	4.756	.500	S	*475379	47
4.713	4.724	.512				4.751	4.756	.500	N	*475379N	47
120,00	120,20	12,00	V	*95X120X12V★	35	4.751	4.756	.500	S	*475379	47
4.724	4.732	.472				4.751	4.756	.500	N	*475379N	47
120,00	120,28	12,00	S	95X120X12★	32	4.751	4.756	.500	S	*485379	48
4.724	4.735	.472				4.751	4.756	.500	N	*485379N	48
124,72	125,00	13,00	S	*95X125X13★	32	4.751	4.756	.625	S	*415177	41
4.910	4.921	.512				4.751	4.756	.625	S	*455177	45
125,00	125,28	12,00	S	95X125X12★	35	4.751	4.756	.625	S	*475177	47
4.921	4.932	.472				4.751	4.756	.625	S	*485177	48
129,70	130,00	13,00	S	*95X130X13★	32	4.751	4.756	.750	N	*7776N	#
5.106	5.118	.512				4.751	4.756	.875	S	*15379S	1S
130,00	130,28	12,00	S	95X130X12★	32	4.751	4.757	.875	S	*75963S	7S
5.118	5.129	.472				4.875	4.881	.500	S	417205	41
130,00	130,28	12,00	S	229520★	35	4.875	4.881	.500	S	*457205	45
5.118	5.129	.472				4.875	4.881	.500	S	*477205	47
132,00	132,26	12,00	S	710085★	#	4.875	4.881	.500	S	*487205	48
5.197	5.207	.472				4.876	4.881	.625	S	*415183	41
134,70	135,00	13,00	S	*95X135X13★	32	4.876	4.881	.625	S	*455183	45
5.303	5.315	.512				4.999	5.004	.250	S	45031S	4S
172,00	172,09	28,00	T	39926★►	W-H	4.999	5.004	.468	S	*415031	41
6.772	6.775	1.102				4.999	5.004	.468	H	*415031H	41
3.750" (3-3/4") SHAFT						4.999	5.004	.468	N	*415031N	41
-	-	-	S	800950	VRS1	4.999	5.004	.468	S	455031	45
-	-	-	V	800954	VRS1	4.999	5.004	.468	N	*455031N	45
-	-	.344		99367	Redi-Sleeve	4.999	5.004	.468	S	*475031	47
-	-	.563		99376	Redi-Sleeve	4.999	5.004	.468	V	*475031V	47
-	-	.688		99372	Redi-Sleeve	4.999	5.004	.468	S	*485031	48
4.375	-	.312	U	710035	#	4.999	5.004	.500	S	416339	41
4.499	4.506	.468	V	*4489V	96	4.999	5.004	.500	N	*416339N	41
4.499	4.506	.468	S	415983	41	4.999	5.004	.500	S	*456339	45
4.499	4.506	.468	N	415983N	41	4.999	5.004	.500	S	*476339	47
4.499	4.506	.468	V	415983V	41	5.000	5.004	.620	S	*8338	39
4.499	4.506	.468	V	714489	96	5.000	5.009	.370	S	*498040	49
4.500	4.506	.468	V	713750	69	5.251	5.256	.468	S	415150	41
4.501	4.506	.362	V	2377	35	5.251	5.256	.468	V	*455150V	45
4.501	4.506	.362	T	*100205T◄	FW-H	5.251	5.256	.468	S	*475150	47
4.624	4.630	.535	S	*8425	#	5.251	5.256	.468	S	*485150	48

SIZE SECTION

For Illustration and Material Data See Technical Section

Designed For A Specific Application - Not Recommended For General Use ► Hydrodynamic Lip Design-CW ◄ Hydrodynamic Lip Design-CCW

* The U.S. customer service number is 877-4-TIMKEN. The Canadian customer service numbers are 800-565-4927 (English) and 800-565-0438 (French-Canadian). ★ Metric Seal

Hsg. Bore	Seal O.D.	Seal Width	Lip Mat'l	Part No.	Type/ Illus.	Hsg. Bore	Seal O.D.	Seal Width	Lip Mat'l	Part No.	Type/ Illus.
3.750" (3-3/4") SHAFT (cont.)						3.875" (3-7/8") SHAFT (cont.)					
5.375	5.381	.750	S	* 7230	#	4.750	4.756	.500	V	* 4340V	#
5.376	5.381	.500	S	* 416127	41	4.751	4.756	.375	S	* 417210	41
5.376	5.381	.500	S	* 456127	45	4.751	4.756	.484	S	* 456343	45
5.501	5.506	.500	S	417503	41	4.751	4.756	.500	S	* 456981	45
5.501	5.506	.562	S	* 415423	41	4.751	4.756	.625	S	* 415179	41
5.501	5.506	.562	S	* 455423	45	4.751	4.756	.625	S	* 455179	45
5.501	5.506	.562	S	* 475423	47	4.751	4.756	.625	N	* 485179N	45
5.501	5.506	.562	S	* 485423	48	4.751	4.756	.625	S	* 475179	47
5.751	5.756	.562	S	* 415852	41	4.751	4.756	.625	S	* 485179	48
5.751	5.756	.562	S	* 455852	45	4.751	4.756	.625	N	* 485179N	48
5.751	5.756	.562	S	* 475852	47	4.875	4.881	.500	S	* 457211	45
5.751	5.756	.562	S	* 485852	48	4.875	4.881	.500	S	* 417211	41
3.753" SHAFT						4.875	4.881	.500	S	* 477211	47
-	-	-	S	800950	VRS1	4.875	4.881	.500	S	* 487211	48
-	-	-	V	800954	VRS1	4.876	4.881	.500	S	* 456626	45
-	-	.344		99367	Redi-Sleeve	4.876	4.881	.625	H	* 415185H	41
-	-	.688		99372	Redi-Sleeve	4.876	4.881	.625	N	* 415185N	41
4.720	4.730	.552	V	* 2867V	#	4.876	4.881	.625	S	* 455185	45
96,00mm (3.780") SHAFT						4.876	4.881	.625	N	* 455185N	41
-	-	-	S	800950	VRS1	4.876	4.881	.625	S	* 455185	45
-	-	-	V	800954	VRS1	4.876	4.881	.625	N	* 455185N	45
116,00	116,26	9,00	V	710262★◄	32	4.999	5.004	.468	S	* 415033	41
4.567	4.577	.354				4.999	5.004	.468	N	* 415033N	41
117,00	117,28	12,00	V	710205★◄	32	4.999	5.004	.468	S	455033	45
4.606	4.617	.472				4.999	5.004	.468	S	* 475033	47
3.797" SHAFT						4.999	5.004	.468	S	* 485033	48
-	-	-	S	800950	VRS1	4.999	5.004	.468	V	* 485033V	48
-	-	-	V	800954	VRS1	4.999	5.004	.468	S	* 416345H	41
4.501	4.506	.250	S	8370S	4S	4.999	5.004	.500	S	* 456345	45
3.800" SHAFT						4.999	5.004	.500	N	* 456345N	45
.000	4.590	.394	V	710520	32	4.999	5.004	.500	S	* 476345	47
3.812" (3-13/16") SHAFT						4.999	5.004	.500	S	* 486345	48
-	-	-	S	800950	VRS1	5.125	5.131	.500	S	* 415697	41
-	-	-	V	800954	VRS1	5.125	5.131	.500	S	* 455697	45
4.751	4.756	.625	S	* 455178	45	5.125	5.131	.500	S	* 475697	47
4.876	4.881	.500	S	* 417504	41	5.125	5.131	.500	S	* 485697	48
4.999	5.004	.468	S	* 455032	45	5.126	5.131	.625	S	* 415547	41
5.251	5.256	.468	S	* 455189	45	5.126	5.131	.625	S	455547	45
5.251	5.256	.468	N	* 455189N	45	5.126	5.131	.625	N	* 455547N	45
98,00mm (3.858") SHAFT						5.126	5.132	.605	S	370033A	06
-	-	-	S	800950	VRS1	5.250	5.256	.500	S	* 417366	41
-	-	-	V	800954	VRS1	5.250	5.256	.500	S	* 457366	45
114,94	115,32	15,75	T	100085★◄	#	5.250	5.256	.500	S	* 477366	47
4.525	4.540	.620				5.250	5.256	.500	S	* 487366	48
120,00	120,20	13,00	S	98X120X13★	35	5.251	5.256	.468	S	* 415148	41
4.724	4.732	.512				5.251	5.256	.468	S	* 455148	45
3.875" (3-7/8") SHAFT						5.251	5.256	.468	S	* 475148	47
-	-	-	S	801000	VRS1	5.251	5.256	.468	S	* 485148	48
-	-	-	V	801004	VRS1	5.376	5.381	.500	S	* 415958	41
-	-	.813		99387	Redi-Sleeve	5.376	5.381	.500	S	455958	45
4.626	4.631	.437	S	* 476341	47	5.376	5.381	.985	S	370165A	03
4.626	4.631	.625	S	* 416342	41	5.501	5.506	.500	S	* 417505	41
4.626	4.631	.625	N	* 416342N	41	5.501	5.506	.562	S	* 416128	41
4.686	4.691	.375	N	* 476098N	47	5.501	5.506	.562	S	* 456128	45
4.750	4.756	.375	S	* 476985	47	5.501	5.506	.562	S	* 476128	47
4.750	4.756	.375	S	* 486985	48	5.501	5.506	.562	S	* 486128	48
4.750	4.756	.375	V	* 486985V	48	5.501	5.515	.875	S	370024A	11
3.880" SHAFT						5.690	5.706	.770	T	380023A	10
-	-	-	S	801000	VRS1	5.690	5.706	.875	S	370023A	11
-	-	-	V	801004	VRS1	5.751	5.756	.562	S	416043	41
5.690	5.695	.500	S	456618	45	5.751	5.756	.562	S	* 456043	45

For Illustration and Material Data See Technical Section

Designed For A Specific Application - Not Recommended For General Use ◄ Hydrodynamic Lip Design-CCW

Size Section

Hsg. Bore	Seal O.D.	Seal Width	Lip Mat'l	Part No.	Type/ Illus.	Hsg. Bore	Seal O.D.	Seal Width	Lip Mat'l	Part No.	Type/ Illus.
3.908" SHAFT						100,00mm (3.937") SHAFT (cont.)					
-	-	-	S	801000	VRS1	129,70	130,00	13,00	S	*100X130X13★	32
-	-	-	V	801004	VRS1	5.106	5.118	.512			
4.875	4.881	.500	S	*416037	41	130,00	130,20	12,00	V	*100X130X12V★	32
3.934" SHAFT											
-	-	-	S	801000	VRS1	5.118	5.126	.472			
-	-	-	V	801004	VRS1	130,00	130,28	12,00	S	100X130X12★	32
5.905	5.911	.500	S	476517	47	5.118	5.129	.472			
100,00mm (3.937") SHAFT											
-	-	-	S	801000	VRS1	5.251	5.256	.468	S	455191	45
-	-	-	V	801004	VRS1	134,70	135,00	12,00	S	*100X135X12★	32
-	-	.813		99393	Redi-Sleeve	5.303	5.315	.472			
113,72	114,00	10,00	S	*100X114X10★	32	134,70	135,00	13,00	S	*100X135X13★	32
4.477	4.488	.394				5.303	5.315	.512			
114,00	114,10	12,00	S	710410★	47	134,70	135,00	14,00	S	*100X135X14★	32
4.488	4.492	.472				5.303	5.315	.551			
114,72	115,00	9,00	S	*100X115X9★	32	135,00	135,20	10,00	H	710351★◄	32
4.517	4.528	.354				5.315	5.323	.394			
114,72	115,00	10,00	S	*100X115X10★	32	135,00	135,20	15,00	H	710391★◄	94
4.517	4.528	.394				5.315	5.323	.591			
114,72	115,00	12,00	S	*100X115X12★	32	5.371	5.377	.906	S	6270	21
4.517	4.528	.472				5.372	5.378	1.015	S	370008A	11
119,72	120,00	11,00	S	*100X120X11★	32	5.376	5.381	.500	S	415263	41
4.713	4.724	.433				5.376	5.381	.500	S	*455263	45
119,72	120,00	13,00	S	*100X120X13★	32	5.376	5.381	.500	H	*455263H	45
4.713	4.724	.512				139,70	140,00	12,00	S	*100X140X12★	32
120,00	120,20	12,00	V	*100X120X12V★	32	5.500	5.512	.472			
4.724	4.732	.472				139,70	140,00	13,00	S	*100X140X13★	32
120,00	120,25	11,00	T	*712105★◄	W	5.500	5.512	.512			
4.724	4.734	.433				5.501	5.506	.500	S	417506	41
120,00	120,12	11,00	H	231004★	32	5.501	5.506	.562	S	*455575	45
4.724	4.735	.433				139,73	139,88	23,80	T	380009A★	03
120,00	120,28	12,00	S	231002★	35	5.501	5.507	.937			
4.724	4.735	.472				5.501	5.507	.937	S	370009A	03
120,00	120,28	12,00	S	100X120X12★	32	145,00	145,10	26,00	N	710278★	#
4.724	4.735	.472				5.709	5.713	1.024			
120,00	120,30	10,00	S	100X120X10★	35	149,70	150,00	10,00	S	*100X150X10★	32
4.724	4.736	.394				5.894	5.906	.394			
123,85	123,98	12,70	S	417967★	41	149,70	150,00	13,00	S	*100X150X13★	32
4.876	4.881	.500				5.894	5.906	.512			
123,85	123,98	12,70	S	*717003★	41	5.905	5.911	.500	S	*486517	48
4.876	4.881	.500				3.950" SHAFT					
123,85	123,98	15,88	S	455186★	45	.000	4.689	.370	V	710526	32
4.876	4.881	.625				101,00mm (3.976") SHAFT					
123,85	124,00	15,88	S	*415186★	41	-	-	-	S	801000	VRS1
4.876	4.882	.625				-	-	-	V	801004	VRS1
124,00	124,20	13,00	V	710290★◄	32	114,00	114,10	10,00	S	710371★	25
4.882	4.890	.512				4.488	4.492	.394			
124,72	125,00	10,00	S	*100X125X10★	32	3.977" SHAFT					
4.910	4.921	.394				-	-	-	S	801000	VRS1
124,72	125,00	13,00	S	*100X125X13★	32	-	-	-	V	801004	VRS1
4.910	4.921	.512				5.376	5.381	.500	S	*455608	45
125,00	125,20	12,00	V	*100X125X12V★	35	3.992" SHAFT					
4.921	4.929	.472				-	-	-	S	801000	VRS1
125,00	125,28	12,00	S	231003★	35	-	-	-	V	801004	VRS1
4.921	4.932	.472				5.875	5.881	.625	S	*417401	41
125,00	125,28	12,00	S	100X125X12★	32	4.000" SHAFT					
4.921	4.932	.472				-	-	-	S	801000	VRS1
126,72	127,00	10,00	S	*100X127X10★	32	-	-	-	V	801004	VRS1
4.989	5.000	.394				-	-	.500		99401	Redi-Sleeve
4.999	5.004	.468	S	415034	41	-	-	.600		99395	Redi-Sleeve
4.999	5.004	.468	S	455034	45	-	-	.650		99400	Redi-Sleeve
4.999	5.004	.468	N	*455034N	45	-	-	.813		99399	Redi-Sleeve
4.999	5.004	.468	V	*455034V	45	-	-				
4.999	5.004	.500	S	*416350	41	-	-				
4.999	5.004	.500	S	*456350	45	-	-				
129,70	130,00	10,00	S	*100X130X10★	32	4.104	4.906	.821	S	*7390%	#
5.106	5.118	.394									

SIZE SECTION

For Illustration and Material Data See Technical Section

Designed For A Specific Application - Not Recommended For General Use ◄ Hydrodynamic Lip Design-CCW % External Bore

* The U.S. customer service number is 877-4-TIMKEN. The Canadian customer service numbers are 800-565-4927 (English) and 800-565-0438 (French-Canadian). ★ Metric Seal

Hsg. Bore	Seal O.D.	Seal Width	Lip Mat'l	Part No.	Type/ Illus.	Hsg. Bore	Seal O.D.	Seal Width	Lip Mat'l	Part No.	Type/ Illus.
4.000" SHAFT (cont.)						4.000" SHAFT (cont.)					
4.562	4.568	.375	H	*2093H	33	5.501	5.506	.562	S	415036	41
4.562	4.568	.375	S	*335924	33	5.501	5.506	.562	S	*455036	45
4.562	4.568	.375	H	*335924H	33	5.501	5.506	.562	S	*475036	47
4.562	4.568	.375	N	335924N	33	5.501	5.506	.562	S	*485036	48
4.625	4.634	.312	U	710036	#	5.510	5.560	.320	S	*200947%	200E
4.750	4.750	.500	S	*7183%	#	5.626	5.631	.500	S	*415513	41
4.750	4.756	.562	S	457294	45	5.626	5.631	.500	S	455513	45
4.750	4.760	.313	U	710031	#	5.626	5.631	.500	N	*455513N	45
4.876	4.881	.250	S	45187S	4S	5.626	5.632	.375	S	417507	41
4.876	4.881	.625	S	415187	41	5.626	5.632	.605	S	370066A	06
4.921	4.932	.512	H	710061◀	32	5.689	5.695	.500	S	*456873	45
4.998	5.004	.375	N	*457382N	45	5.696	5.700	.850	S	*4269	74
4.998	5.006	.500	S	327215	32	5.751	5.756	.562	S	415041	41
4.999	5.004	.375	S	475845	47	5.751	5.756	.562	N	*415041N	41
4.999	5.004	.468	S	415035	41	5.751	5.756	.562	S	*455041	45
4.999	5.004	.468	N	*415035N	41	5.751	5.756	.562	S	*475041	47
4.999	5.004	.468	V	415035V	41	5.751	5.756	.562	S	*485041	48
4.999	5.004	.468	S	*475035	47	5.755	5.822	.562	S	*4235%	#
4.999	5.004	.468	H	*475035H	47	5.757	5.772	.930	S	370036A	09
4.999	5.004	.468	S	*485035	48	5.757	5.772	.930	T	380036A	10
4.999	5.004	.468	N	*485035N	48	5.757	5.798	.600	S	370349A=	02
4.999	5.004	.468	H	710022	45	5.999	6.005	.500	S	417509	41
4.999	5.004	.469	V	*4713V↔	#	5.999	6.007	.625	S	*415201	41
4.999	5.004	.469	V	714713↔	96	5.999	6.007	.625	S	*455201	45
4.999	5.004	.500	S	415953	41	5.999	6.007	.625	S	*475201	47
4.999	5.004	.500	H	*415953H	41	5.999	6.007	.625	S	*485201	48
4.999	5.004	.500	N	*415953N	41	6.250	6.256	.500	S	417223	41
4.999	5.004	.500	V	415953V	41	6.250	6.256	.562	S	*415054	41
4.999	5.004	.500	S	*455953	45	6.250	6.256	.562	S	*455054	45
4.999	5.004	.500	H	*455953H	45	6.250	6.256	.562	S	*475054	47
4.999	5.004	.500	N	*455953N	45	6.250	6.256	.562	S	*485054	48
4.999	5.004	.500	S	*475953	47	6.312	6.318	.500	S	*417123	41
4.999	5.004	.500	H	*475953H	47	6.312	6.318	.500	S	*477123	47
4.999	5.004	.500	S	*485953	48	6.375	6.382	.500	S	*476816	47
4.999	5.004	.625	H	*75549H	7S	102,00mm (4.016") SHAFT					
4.999	5.005	.468	S	455035	45	-	-	-	S	801000	VRS1
4.999	5.005	.468	N	455035N	45	-	-	-	V	801004	VRS1
4.999	5.005	.500	T	37939◀	PDW	125,00	125,20	12,00	S	*102X125X12★	32
4.999	5.008	.312	S	345035	34	4.921	4.929	.472			
5.000	5.005	.312	N	*456967N	45	130,00	130,28	13,00	S	102X130X13★	35
5.000	5.005	.312	V	456967V	45	5.118	5.129	.512			
5.000	5.005	.500	T	39723▶	FW-H	4.040" SHAFT					
5.122	5.131	.378	V	*475252V	47	5.122	5.130	.945	S	370198A	09
5.125	5.130	.312	V	*457649V	45	4.050" SHAFT					
5.125	5.131	.500	S	417356	41	-	-	-	S	801000	VRS1
5.125	5.131	.500	S	*457356	45	-	-	-	V	801004	VRS1
5.125	5.131	.500	S	*477356	47	5.501	5.506	.671	S	6864S	45
5.125	5.131	.500	S	*487356	48	4.062" (4-1/16") SHAFT					
5.126	5.131	.625	S	*415188	41	-	-	-	S	801000	VRS1
5.126	5.131	.625	S	455188	45	-	-	-	V	801004	VRS1
5.248	5.254	.605	S	*370087A	06	5.035	5.197	.320	S	*8481%	46
5.250	5.256	.375	N	*456946N	45	5.372	5.378	.627	S	*9586	#
5.250	5.256	.500	S	417357	41	5.500	5.509	.597	S	*2155↔	#
5.250	5.256	.500	S	*457357	45	5.501	5.506	.562	S	455037	45
5.250	5.256	.500	S	*477357	47	6.191	6.197	.625	S	*57831	5S
5.250	5.256	.500	S	*487357	48	4.125" (4-1/8") SHAFT					
5.250	5.256	.625	S	*8475	39	-	-	-	S	801000	VRS1
5.251	5.256	.468	S	*415192	41	-	-	-	V	801004	VRS1
5.251	5.256	.468	N	415192N	41	-	-	-	S	99412	Redi-Sleeve
5.251	5.256	.468	S	455192	45	4.999	5.004	.468	N	6565N	41
5.251	5.256	.468	S	*475192	47	4.999	5.004	.468	S	*415134	41
5.251	5.256	.468	N	*475192N	47	4.999	5.004	.468	N	*415134N	41
5.251	5.256	.468	S	*485192	48						
5.374	5.379	.500	S	*455512	45						
5.375	5.381	.500	S	*476130	47						
5.375	5.381	.500	S	*486130	48						
5.375	5.381	1.000	S	370015A	03						
5.375	5.475	.375	S	*200799%	200E						
5.376	5.381	.500	S	416130	41						
5.376	5.381	.500	S	*456130	45						
5.500	5.506	.500	S	*456887	45						
5.500	5.506	.562	N	*415036N	41						

For Illustration and Material Data See Technical Section

Designed For A Specific Application - Not Recommended For General Use ▶ Hydrodynamic Lip Design-CW ◀ Hydrodynamic Lip Design-CCW

↔ Hydrodynamic Lip Design-Bidirectional % External Bore = w/Metal ID

* The U.S. customer service number is 877-4-TIMKEN. The Canadian customer service numbers are 800-565-4927 (English) and 800-565-0438 (French-Canadian). ★ Metric Seal

Size Section

Hsg. Bore	Seal O.D.	Seal Width	Lip Mat'l	Part No.	Type/ Illus.	Hsg. Bore	Seal O.D.	Seal Width	Lip Mat'l	Part No.	Type/ Illus.
4.125" (4-1/8") SHAFT (cont.)						4.166" SHAFT (cont.)					
4.999	5.004	.625	H	* 77929H	7S	5.625	6.800	.210	S	2064§	#
4.999	5.005	.468	S	455134	45	106,00mm (4.173") SHAFT					
4.999	5.005	.468	H	* 455134H	45	-	-	-	S	801100	VRS1
4.999	5.005	.468	N	* 455134N	45	-	-	-	V	801104	VRS1
4.999	5.005	.468	V	* 455134V	45	123,00	123,10	11,00	S	710295★	47
4.999	5.005	1.037	T	37921◄	PDW	4.843	4.846	.433			
5.126	5.131	.625	S	* 455393	45	125,72	126,00	12,00	S	* 106X126X12★	32
5.126	5.132	.500	S	417511	41	4.950	4.961	.472			
5.251	5.256	.375	S	* 447583	44	126,00	126,20	12,00	H	710366★◄	32
5.251	5.256	.468	S	415142	41	4.961	4.969	.472			
5.251	5.256	.468	S	* 455142	45	5.374	5.390	.690	T	* 78048	7S
5.375	5.381	.605	S	370094A	06	4.187" (4-3/16") SHAFT					
5.375	5.585	1.460	S	* 8557	39	-	-	-	S	801100	VRS1
5.501	5.506	.500	S	417512	41	-	-	-	V	801104	VRS1
5.751	5.756	.562	S	415043	41	-	-	.813	★ 99418	Redi-Sleeve	
6.000	6.007	.625	S	455203	45	4.999	5.004	.375	S	* 418038	41
6.250	6.256	.562	S	455056	45	4.999	5.004	.468	S	415295	41
6.296	6.302	.390	S	* 200198	200	4.999	5.004	.468	H	* 415295H	41
105,00mm (4.134") SHAFT						4.999	5.004	.468	S	* 455295	45
-	-	-	S	801000	VRS1	5.125	5.131	.500	V	* 455081V	45
-	-	-	V	801004	VRS1	5.250	5.256	.468	H	* 485194H	48
-	-	.787		99413	Redi-Sleeve	5.251	5.256	.468	S	455194	45
120,00	120,20	11,00	H	231052★	32	5.500	5.506	.500	S	* 456889	45
4.724	4.732	.433				5.501	5.506	.500	S	417513	41
124,72	125,00	12,00	S	* 105X125X12★	32	5.501	5.506	.562	S	* 415039	41
4.910	4.921	.472				5.501	5.506	.562	N	* 415039N	41
125,00	125,28	13,00	S	105X125X13★	32	5.501	5.506	.562	S	* 455039	45
4.921	4.932	.512				5.751	5.756	.500	S	417514	41
129,70	130,00	13,00	S	* 105X130X13★	32	5.751	5.756	.562	S	* 415044	41
5.106	5.118	.512				5.751	5.756	.562	S	* 455044	45
129,70	130,00	15,00	S	* 105X130X15★	32	5.999	6.007	.625	S	* 455204	45
5.106	5.118	.591				6.000	6.007	.500	S	417515	41
130,00	130,16	11,00	T	712107★➡	FW-H	6.000	6.007	.625	S	* 416673	41
5.118	5.124	.433				6.000	6.007	.625	N	* 416673N	41
130,00	130,20	12,00	V	* 105X130X12V★	32	6.000	6.007	.625	N	* 416673N	41
5.118	5.126	.472				6.250	6.256	.500	S	417516	41
130,00	130,25	12,00	V	712004★◄	32	6.250	6.256	.500	V	* 417516V	41
5.118	5.128	.472				6.250	6.256	.562	S	* 455057	45
130,00	130,28	12,00	S	105X130X12★	32	6.373	6.381	.625	S	* 455625	45
5.118	5.129	.472				4.250" (4-1/4") SHAFT					
134,70	135,00	13,00	S	* 105X135X13★	32	-	-	-	S	801100	VRS1
5.303	5.315	.512				-	-	-	V	801104	VRS1
134,70	135,00	14,00	S	* 105X135X14★	32	-	-	.813	99424	Redi-Sleeve	
5.303	5.315	.551				5.125	5.130	.360	S	* 3369	#
134,70	135,00	15,00	S	* 105X135X15★	32	5.250	5.253	.790	S	* 77980	7S
5.303	5.315	.591				5.250	5.256	.250	S	47150S	4S
135,00	135,20	12,00	S	* 105X135X12★	32	5.250	5.256	.500	S	416556	41
5.315	5.323	.472				5.250	5.256	.500	S	* 456556	45
135,00	135,20	14,50	V	710349★◄	#	5.250	5.256	.500	S	* 476556	47
5.315	5.323	.571				5.250	5.256	.500	S	* 486556	48
139,70	140,00	13,00	S	* 105X140X13★	32	5.250	5.260	.590	S	* 7234	#
5.500	5.512	.512				5.251	5.256	.375	S	* 452157	45
139,70	140,00	15,00	S	* 105X140X15★	32	5.251	5.256	.375	S	472157	47
5.500	5.512	.591				5.251	5.256	.375	N	* 482157N	48
140,00	140,28	12,00	S	105X140X12★	32	5.251	5.256	.468	S	* 415195	41
5.512	5.523	.472				5.251	5.256	.468	N	* 415195N	41
144,70	145,00	15,00	S	* 105X145X15★	32	5.251	5.256	.468	N	* 415195N	41
5.697	5.709	.591				5.251	5.256	.468	S	455195	45
145,00	145,20	12,00	S	* 105X145X12★	32	5.251	5.256	.468	H	* 455195H	45
5.709	5.717	.472				5.251	5.256	.468	V	* 455195V	45
160,00	160,20	15,00	S	* 105X160X15★	32	5.251	5.256	.468	S	* 475195	47
6.299	6.307	.591				5.251	5.256	.468	N	* 475195N	47
4.166" SHAFT						5.251	5.256	.468	S	* 485195	48
-	-	-	S	801100	VRS1	5.251	5.256	.468	H	485195H	48
-	-	-	V	801104	VRS1	5.251	5.256	.625	S	* 415712	41
5.500	5.506	.605	S	370106A	06	5.251	5.256	.625	S	* 455712	45
5.501	5.506	.600	S	9128S◄➡	45	5.251	5.256	.625	N	* 455712N	45
5.502	5.506	.600	S	* 2082◄➡	45						

For Illustration and Material Data See Technical Section

Designed For A Specific Application - Not Recommended For General Use ➡ Hydrodynamic Lip Design-CW ◄ Hydrodynamic Lip Design-CCW

◄➡ Hydrodynamic Lip Design-Bidirectional § Inside Diameter-Rides On Ball

* The U.S. customer service number is 877-4-TIMKEN. The Canadian customer service numbers are 800-565-4927 (English) and 800-565-0438 (French-Canadian). ★ Metric Seal

Hsg. Bore	Seal O.D.	Seal Width	Lip Mat'l	Part No.	Type/ Illus.	Hsg. Bore	Seal O.D.	Seal Width	Lip Mat'l	Part No.	Type/ Illus.
4.250" (4-1/4") SHAFT (cont.)						4.312" (4-5/16") SHAFT (cont.)					
5.375	5.381	.500	S	*475196	47	5.751	5.756	.562	S	*455046	45
5.376	5.381	.500	H	*415196H	41	5.999	6.005	.500	S	416144	41
5.376	5.381	.500	H	*415196H	41	5.999	6.007	.625	S	*455206	45
5.376	5.381	.500	N	*415196N	41	6.250	6.256	.500	S	*417238	41
5.376	5.381	.500	S	*455196	45	6.250	6.256	.562	S	*455059	45
5.376	5.381	.500	N	*455196N	45	6.250	6.256	.562	N	*455059N	45
5.376	5.381	.500	S	*485196	48	4.330" SHAFT					
5.500	5.506	.500	S	*416891	41	5.118	5.130	.396	V	325776	32
5.500	5.506	.500	S	*456891	45	110,00mm (4.331") SHAFT					
5.500	5.506	.500	S	*476891	47	-	-	-	S	801100	VRS1
5.500	5.506	.500	S	*486891	48	-	-	-	V	801104	VRS1
5.501	5.506	.562	S	*415040	41	-	-	.509		99435	Redi-Sleeve
5.501	5.506	.562	N	*415040N	41	124,72	125,00	12,00	S	*110X125X12★	32
5.501	5.506	.562	S	*455040	45	4.910	4.921	.472			
5.501	5.506	.562	H	*455040H	45	129,70	130,00	13,00	S	*110X130X13★	32
5.501	5.506	.562	N	*455040N	45	5.106	5.118	.512			
5.501	5.506	.562	S	*475040	47	130,00	130,18	12,70	V	2261★◀	32
5.501	5.506	.562	S	*485040	48	5.118	5.125	.500			
5.625	5.631	.500	S	*476135	47	130,00	130,20	12,00	V	*110X130X12V★	32
5.625	5.631	.500	S	*486135	48	5.118	5.126	.472			
5.626	5.631	.500	S	*416135	41	130,00	130,28	12,00	S	110X130X12★	32
5.626	5.631	.500	S	*456135	45	5.118	5.129	.472			
5.751	5.756	.562	S	*415045	41	130,00	130,40	13,00	T	712112★◀	W
5.751	5.756	.562	S	*455045	45	5.118	5.134	.512			
5.751	5.756	.562	S	*475045	47	135,00	135,20	12,00	S	*110X135X12★	32
5.751	5.756	.562	S	*485045	48	5.315	5.323	.472			
5.876	5.881	.500	V	*457661V	45	135,00	135,30	13,00	S	110X135X13★	32
5.876	5.881	.625	S	*416136	41	5.315	5.327	.512			
5.876	5.881	.625	N	*416136N	41	139,70	140,00	14,00	S	*110X140X14★	32
5.876	5.881	.625	N	*456136N	45	5.512	5.521	.512			
5.876	5.881	.625	V	*456136V	45	140,00	140,23	13,00	S	110X140X13★	32
5.999	6.005	.500	S	*416137	41	5.512	5.521	.512			
5.999	6.007	.625	S	*415205	41	140,00	140,28	12,00	S	110X140X12★	32
5.999	6.007	.625	S	*455205	45	5.512	5.523	.472			
5.999	6.007	.625	N	*455205N	45	140,00	140,28	12,00	V	*110X140X12V★	32
5.999	6.007	.625	S	*475205	47	5.512	5.523	.472			
5.999	6.007	.625	S	*485205	48	144,70	145,00	14,00	S	*110X145X14★	32
6.000	6.008	1.000	T	380065A	10	5.697	5.709	.551			
6.008	6.022	1.000	S	370065A	09	145,00	145,30	13,00	S	110X145X13★	35
6.035	6.047	.915	S	370107A	03	5.709	5.717	.472			
6.048	6.048	.680	S	376590A=	04	145,00	145,30	13,00	S	110X145X13★	35
6.126	6.133	.500	S	*417518	41	5.709	5.720	.512			
6.127	6.132	.625	S	*455473	45	149,70	150,00	13,00	S	*110X150X13★	32
6.250	6.256	.562	S	*415058	41	5.894	5.906	.512			
6.250	6.256	.562	S	*455058	45	150,00	150,28	15,00	S	110X150X15★	35
6.250	6.256	.562	S	*475058	47	5.906	5.917	.591			
6.250	6.256	.562	S	*485058	48	155,00	155,20	15,00	S	*110X155X15★	32
6.250	6.256	1.188	S	370031A	09	6.102	6.110	.591			
6.250	6.256	1.188	T	380031A	10	159,70	160,00	12,00	S	*110X160X12★	32
6.750	6.757	.625	S	*417452	41	6.287	6.299	.472			
108,00mm (4.252") SHAFT						160,00	160,20	15,00	S	*110X160X15★	32
-	-	-	S	801100	VRS1	6.299	6.307	.591			
-	-	-	V	801104	VRS1	166,70	167,00	17,00	S	*110X167X17★	32
-	-	.813		99424	Redi-Sleeve	6.563	6.575	.669			
153,62	153,62	17,27	T	386590A★	10	169,70	170,00	12,00	S	*110X170X12★	32
6.007	6.048	.580				6.681	6.693	.472			
4.265" SHAFT						170,00	170,18	12,70	S	476518★	47
6.064	6.071	.605	S	370030A	06	6.693	6.700	.500			
4.312" (4-5/16") SHAFT						4.375" (4-3/8") SHAFT					
-	-	-	S	801100	VRS1	-	3.127	.500	S	*55522	5S
-	-	-	V	801104	VRS1	5.373	5.500	.570	N	7354N%	8S
5.376	5.381	.500	S	*456141	45	5.373	5.500	.570	V	7354V%	8S
5.501	5.506	.562	S	455197	45	5.375	-	.500	S	*4291	#
5.501	5.506	.562	N	455197N	45	5.375	5.425	.500	V	4291V%	#
5.501	5.506	.562	H	*485197H	48	5.376	5.381	.500	S	415425	41
5.751	5.756	.500	S	*417520	41	5.376	5.381	.500	V	*415425V	41

For Illustration and Material Data See Technical Section

Designed For A Specific Application - Not Recommended For General Use ◀ Hydrodynamic Lip Design-CCW % External Bore = w/Metal ID

Size Section

Hsg. Bore	Seal O.D.	Seal Width	Lip Mat'l	Part No.	Type/ Illus.	Hsg. Bore	Seal O.D.	Seal Width	Lip Mat'l	Part No.	Type/ Illus.
4.375" (4-3/8") SHAFT (cont.)						114,00mm (4.488") SHAFT (cont.)					
5.500	5.506	.500	S	416380	41	-	-	-	V	801104	VRS1
5.500	5.506	.500	S	*456380	45	135,00	135,25	13,00	S	713163★	47
5.500	5.506	.500	S	*476380	47	5.315	5.325	.512			
5.500	5.506	.500	S	*486380	48	140,00	140,28	13,00	S	114X140X13★	32
5.501	5.506	.500	T	39849➔	FW-H	5.512	5.523	.512			
5.501	5.506	.562	S	*3203	47	4.500" (4-1/2") SHAFT					
5.501	5.506	.562	S	*415198	41	5.250	5.256	.437	S	*335821	33
5.501	5.506	.562	H	*415198H	41	5.250	5.256	.437	H	*335821H	33
5.501	5.506	.562	S	455198	45	5.251	5.259	.437	S	327303	32
5.501	5.506	.562	N	*455198N	45	5.374	5.391	.984	S	370124A	07
5.501	5.506	.562	S	*475198	47	5.375	5.381	.531	S	*456494	45
5.501	5.506	.562	S	*485198	48	5.376	5.381	.437	S	417530	41
5.626	5.631	.500	S	416147	41	5.500	5.506	.500	S	416888	41
5.751	5.756	.562	S	415047	41	5.500	5.506	.500	S	*456888	45
5.751	5.756	.562	S	*455047	45	5.500	5.506	.500	N	*456888N	45
5.751	5.756	.562	S	*475047	47	5.500	5.506	.500	V	*456888V	45
5.751	5.756	.562	S	*485047	48	5.500	5.506	.500	S	*476888	47
5.755	5.705	.840	T	*100253&	#	5.500	5.506	.500	V	*476888V	47
5.757	5.763	1.000	S	370037A	03	5.500	5.506	.500	V	*476888V	47
5.757	5.798	.600	S	370338A=	02	5.500	5.506	.500	S	*486888	48
5.905	5.910	1.000	S	370182A	08	5.500	5.506	.500	H	*486888H	48
5.905	5.911	1.000	S	370048A	03	5.500	5.506	.562	S	455200	45
5.905	5.918	1.015	T	380048A	10	5.500	5.506	.562	N	455200N	45
5.999	6.005	.500	S	416149	41	5.500	5.506	.562	V	*455200V	45
5.999	6.007	.500	N	*476149N	47	5.500	5.507	.500	V	416888V	41
5.999	6.007	.625	S	*415207	41	5.500	5.515	.675	S	370178A	07
5.999	6.007	.625	S	*455207	45	5.501	5.506	.500	N	*456030N	45
5.999	6.007	.625	S	*475207	47	5.501	5.506	.562	S	*3275	47
5.999	6.007	.625	S	*485207	48	5.501	5.506	.562	F	*295200	29
6.064	6.071	.625	S	*455861	45	5.501	5.506	.562	S	*415200	41
6.064	6.071	.625	S	6635S	45	5.501	5.506	.562	N	*415200N	41
6.125	6.131	.500	S	417522	41	5.501	5.506	.562	V	*415200V	41
6.125	6.131	.500	V	*417522V	41	5.501	5.506	.562	S	*475200	47
6.125	6.131	.562	S	*456150	45	5.501	5.506	.562	S	*485200	48
6.127	6.132	.625	S	*415573	41	5.501	5.507	.380	S	*477439	47
6.250	6.256	.562	L	*55060	5L	5.501	5.511	.500	S	355200	35
6.250	6.256	.562	S	*55060S	5S	5.512	5.518	.562	S	*455943	45
6.250	6.256	.562	S	415060	41	5.625	5.631	.500	S	416153	41
6.250	6.256	.562	S	455060	45	5.625	5.631	.500	V	*416153V	41
6.250	6.256	.562	S	*475060	47	5.625	5.631	.500	S	456153	45
6.250	6.256	.562	S	*485060	48	5.625	5.631	.500	S	*476153	47
6.251	6.256	.605	S	370019A	06	5.625	5.631	.500	S	*486153	48
6.311	6.317	1.090	S	370034A	03	5.750	5.756	.500	S	416892	41
112,00mm (4.409") SHAFT						5.750	5.756	.500	S	*456892	45
-	-	-	S	801100	VRS1	5.750	5.756	.500	S	*476892	47
-	-	-	V	801104	VRS1	5.750	5.756	.562	S	*486892	48
135,00	135,20	15,00	S	*112X135X15★	32	5.750	5.756	.960	S	*455049	45
5.315	5.323	.591				5.750	5.756	.960	T	380022A	10
140,00	140,32	13,00	S	112X140X13★	35	5.751	5.756	.562	S	*415049	41
5.512	5.524	.512				5.751	5.756	.562	S	*475049	47
141,70	142,00	14,00	S	*112X142X14★	32	5.751	5.756	.562	S	*485049	48
5.579	5.591	.551				5.751	5.870	.250	S	*7042S%	#
145,00	145,20	15,00	S	*112X145X15★	32	5.876	5.881	.500	S	417531	41
5.709	5.717	.591				5.876	5.881	.625	S	*415342	41
150,00	150,20	15,00	S	*112X150X15★	32	5.876	5.881	.625	S	*455342	45
5.906	5.913	.591				5.876	5.892	.984	S	370131A	11
4.437" (4-7/16") SHAFT						5.876	5.892	.984	T	380131A	10
-	-	-	S	801100	VRS1	5.999	6.007	.500	S	416154	41
-	-	-	V	801104	VRS1	5.999	6.007	.500	S	*476154	47
-	-	1.000		*99439	Redi-Sleeve	5.999	6.007	.625	S	*415209	41
5.500	5.506	.500	S	417295	41	5.999	6.007	.625	N	*415209N	41
5.500	5.506	.562	S	457295	25	5.999	6.007	.625	S	*475209	47
5.751	5.756	.500	S	417525	41	5.999	6.007	.625	S	*485209	48
5.999	6.007	.500	S	417526	41	6.000	6.007	.984	S	370020A	03
114,00mm (4.488") SHAFT						6.001	6.007	.500	S	*456800	45
-	-	-	S	801100	VRS1	6.001	6.007	.625	S	*455209	45
114,00mm (4.488") SHAFT						6.125	6.131	.562	S	416070	41
-	-	-	S	801100	VRS1	6.127	6.132	.562	S	*455601	45
114,00mm (4.488") SHAFT						6.250	6.256	.500	S	415351	41
-	-	-	S	801100	VRS1	6.250	6.256	.500	S	*455351	45

SIZE SECTION

For Illustration and Material Data See Technical Section

Designed For A Specific Application - Not Recommended For General Use ➔ Hydrodynamic Lip Design-CW ◀ Hydrodynamic Lip Design-CCW % External Bore

& Flanged O.D. = w/Metal ID

* The U.S. customer service number is 877-4-TIMKEN. The Canadian customer service numbers are 800-565-4927 (English) and 800-565-0438 (French-Canadian). ★ Metric Seal

Hsg. Bore	Seal O.D.	Seal Width	Lip Mat'l	Part No.	Type/ Illus.
4.500" (4-1/2") SHAFT (cont.)					
6.250	6.256	.562	S	*415062	41
6.250	6.256	.562	H	*415062H	41
6.250	6.256	.562	S	455062	45
6.250	6.256	.562	N	*455062N	45
6.250	6.256	.562	S	*475062	47
6.250	6.256	.562	S	*485062	48
6.250	6.257	.820	S	*9587&	#
6.251	6.265	.610	S	370021A	09
6.305	6.313	.954	S	*2704	#
6.307	6.313	1.141	S	*9907	Redi-Sleeve
6.310	6.316	1.175	S	370086A	03
6.374	6.382	.500	S	417532	41
6.374	6.382	.625	S	*455325	45
6.441	6.447	.937	S	370192A	03
6.622	6.629	1.093	S	370078A	03

115,00mm (4.528") SHAFT					
-	-	-	S	801100	VRS1
-	-	-	V	801104	VRS1
-	-	.813		99452	Redi-Sleeve
135.00	135.20	10.00	V	710258★◄	32
5.315	5.323	.394			
135.00	135.20	15.00	S	*115X135X15★	32
5.315	5.323	.591			
139.70	140.00	13.00	S	*115X140X13★	32
5.500	5.512	.512			
139.70	140.00	14.00	S	*115X140X14★	32
5.500	5.512	.551			
140.00	140.20	12.00	V	*115X140X12V★	35
5.512	5.520	.472			
140.00	140.28	12.00	S	115X140X12★	32
5.512	5.523	.472			
144.70	145.00	16.00	S	*115X145X16★	32
5.697	5.709	.630			
145.00	145.20	14.00	S	115X145X14★◄◄	32
5.709	5.717	.551			
145.00	145.20	15.00	S	*115X145X15★	32
5.709	5.717	.591			
145.00	145.30	13.00	S	115X145X13★	35
5.709	5.720	.512			
146.20	146.50	13.00	S	*115X146.5X13★	32
5.756	5.768	.512			
149.70	150.00	15.00	S	*115X150X15★	32
5.894	5.906	.591			
150.00	150.28	12.00	S	115X150X12★	35
5.906	5.917	.472			
155.00	155.20	15.00	S	*115X155X15★	32
6.102	6.110	.591			
156.00	156.10	28.00	S	710372★	#
6.142	6.146	1.102			
158.70	159.00	14.00	S	*115X159X14★	32
6.248	6.260	.551			
160.00	160.20	15.00	S	*115X160X15★	32
6.299	6.307	.591			

4.550" SHAFT					
5.500	5.570	.350	S	*200856%	200
5.500	5.662	.350	S	*8482	#

4.562" (4-9/16") SHAFT					
5.312	5.317	.250	S	*447722	44
5.512	5.517	.250	S	*447717	44
5.751	5.756	.500	S	417533	41
5.999	6.007	.500	S	417534	41
6.250	6.256	.500	S	457585	45

Hsg. Bore	Seal O.D.	Seal Width	Lip Mat'l	Part No.	Type/ Illus.
116,00mm (4.567") SHAFT					
131.70	132.00	12.00	S	*116X132X12★	32
5.185	5.197	.472			

116,50mm (4.587") SHAFT					
135.00	135.30	13.00	V	*355590V★◄◄	35
5.315	5.327	.512			

4.625" (4-5/8") SHAFT					
-	-	.438		*99465	Redi-Sleeve
-	-	1.000		99463	Redi-Sleeve
.000	5.998	.580	T	386025A	10
5.500	5.506	.562	H	456641	45
5.501	5.506	.655	H	*77558H	7S
5.625	5.631	.500	S	416156	41
5.751	5.756	.500	S	*415634	41
5.751	5.756	.562	S	415371	41
5.751	5.756	.562	N	*415371N	41
5.751	5.756	.562	S	*455371	45
5.751	5.756	.562	N	*455371N	45
5.751	5.756	.562	S	*475371	47
5.751	5.756	.562	S	*485371	48
5.875	5.881	.625	S	455685	45
5.875	5.881	.625	N	*455685N	45
5.999	6.005	.937	T	380025A	10
5.999	6.006	.890	S	370216A	11
5.999	6.007	.500	S	416158	41
5.999	6.007	.500	S	*476158	47
5.999	6.007	.625	S	*455211	45
5.999	6.007	.625	S	*475211	47
5.999	6.007	.625	S	*485211	48
5.999	6.008	.840	S	370025A	11
6.000	7.125	.987	H	*8548H	#
6.001	6.007	.625	S	*415211	41
6.125	6.131	.562	S	*415970	41
6.125	6.131	.562	H	*415970H	41
6.186	6.192	1.250	V	*2505V	89
6.186	6.192	1.250	S	2505	89
6.250	6.256	.500	S	*417246	41
6.250	6.256	.562	S	415064	41
6.250	6.256	.562	S	*455064	45
6.250	6.256	.562	S	*475064	47
6.250	6.256	.562	S	*485064	48
6.250	6.257	.550	S	*9588&	#
6.622	6.629	1.093	S	6886S	21
6.622	6.629	1.093	S	7700S	21
6.622	6.629	1.093	S	370051A	03

4.635" SHAFT					
6.007	6.014	.937	S	370026A	03

118,00mm (4.646") SHAFT					
5.751	5.756	.500	T	39952◄	FW-H
173.00	173.80	28.00	S	710089★	#
6.811	6.843	1.102			

4.647" SHAFT					
6.309	6.318	.625	S	*4591	#

4.687" (4-11/16") SHAFT					
-	-	.812		99468	Redi-Sleeve
5.750	5.762	.565	V	*325378◄◄	32
5.751	5.756	.500	S	415284	41
5.751	5.756	.562	S	*455378	45
5.751	5.756	.562	H	455378H	45
5.751	5.756	.562	N	*455378N	45

For Illustration and Material Data See Technical Section

Designed For A Specific Application - Not Recommended For General Use ◄ Hydrodynamic Lip Design-CCW ◄◄ Hydrodynamic Lip Design-Bidirectional % External Bore & Flanged O.D. * The U.S. customer service number is 877-4-TIMKEN. The Canadian customer service numbers are 800-565-4927 (English) and 800-565-0438 (French-Canadian). ★ Metric Seal

Size Section

Hsg. Bore	Seal O.D.	Seal Width	Lip Mat'l	Part No.	Type/ Illus.	Hsg. Bore	Seal O.D.	Seal Width	Lip Mat'l	Part No.	Type/ Illus.
4.687" (4-11/16") SHAFT (cont.)						4.740" SHAFT					
5.751	5.756	.750	S	6329S	7S	-	7.575	.410	S	*6701	#
5.999	6.007	.500	S	417535	41	-	7.625	.410	S	*6701SS0	#
6.001	6.007	.280	S	*487806	48	4.750" (4-3/4") SHAFT					
6.002	6.007	.250	S	45637S	4S	-	-	.500		99475	Redi-Sleeve
6.250	6.256	.500	S	417536	41	5.375	-	.312	U	*710037	#
6.374	6.382	.500	S	417537	41	5.750	5.756	.500	S	*415138	41
6.500	6.514	.500	T	*325277T➔	32	5.750	5.756	.500	H	*415138H	41
6.500	6.514	.500	T	*325277TL◄	32	5.750	5.756	.500	N	*415138N	41
6.850	6.865	.551	S	*4610	35	5.750	5.756	.500	S	*455138	45
4.720" SHAFT						5.750	5.756	.500	N	*455138N	45
-	-	.787		99473	Redi-Sleeve	5.750	5.756	.500	S	*475138	47
6.312	6.318	.473	S	*457734	45	5.750	5.756	.500	H	*475138H	47
120,00mm (4.724") SHAFT						5.750	5.756	.500	S	*485138	48
-	-	.787		99473	Redi-Sleeve	5.750	5.757	.562	V	*455053V	45
139,70	140,00	12,00	S	*120X140X12★	32	5.751	5.756	.500	V	*485138V	48
5,500	5,512	.472				5.751	5.756	.500	V	714750	48
139,70	140,00	15,00	S	*120X140X15★	32	5.751	5.756	.562	S	*415053	41
5,500	5,512	.591				5.751	5.756	.562	H	*415053H	41
140,00	140,21	10,50	S	710084★	47	5.751	5.756	.562	N	*415053N	41
5,512	5,520	.413				5.751	5.756	.562	V	*415053V	41
140,00	140,20	13,00	T	712106★	32	5.751	5.756	.562	S	*475053	47
5,512	5,520	.512				5.751	5.756	.562	S	*485053	48
140,00	140,25	12,00	S	717004★	48	5.751	5.757	.562	S	*455053	45
5,512	5,522	.472				5.751	5.757	.562	H	*455053H	45
140,00	140,28	13,00	S	120X140X13★	32	5.751	5.757	.562	N	*455053N	45
5,512	5,523	.512				5.876	5.881	.500	S	*417538	41
140,00	140,30	13,00	V	712003★◄	32	5.876	5.881	.625	V	*417538V	41
5,512	5,524	.512				5.876	5.881	.625	S	*455233	45
145,00	145,28	12,00	S	120X145X12★	35	5.999	6.006	.562	H	*416122H	41
5,709	5,720	.472				5.999	6.006	.562	H	*476122H	47
145,00	145,28	12,00	S	231204★	35	5.999	6.007	.625	S	*415213	41
5,709	5,720	.472				5.999	6.007	.625	N	*415213N	41
145,70	146,00	13,00	S	*120X146X13★	32	5.999	6.007	.625	S	*455213	45
5,736	5,748	.512				5.999	6.007	.625	S	*485213	48
146,20	146,50	13,00	S	*120X146.5X13★	32	6.000	6.006	.500	V	*487250V	48
5,756	5,768	.512				6.000	6.006	.562	T	39732◄	W-H
149,70	150,00	13,00	S	*120X150X13★	32	6.000	6.006	.562	T	39825◄	FW-H
5,894	5,906	.512				6.000	6.006	.562	T	39827◄	DW-H
149,70	150,00	14,00	S	*120X150X14★	32	6.001	6.007	.500	N	*457247N	45
5,894	5,906	.551				6.001	6.007	.500	S	*417247	41
149,70	150,00	15,00	S	*120X150X15★	32	6.001	6.007	.500	S	*457247	45
5,894	5,906	.591				6.001	6.007	.500	S	*477247	47
150,01	150,16	14,99	S	370220A★	11	6.001	6.007	.500	S	*487247	48
5,906	5,912	.590				6.002	6.092	.285	S	200642%	200
150,00	150,20	12,00	V	*120X150X12V★	32	6.125	6.131	.500	S	*417252	41
5,906	5,913	.472				6.125	6.131	.562	S	*456160	45
150,00	150,28	12,00	S	120X150X12★	32	6.127	6.132	.625	S	*455258	45
5,906	5,917	.472				6.186	6.192	1.250	S	3100	89
154,70	155,00	14,00	S	*120X155X14★	32	6.250	6.256	.500	S	*416866	41
6,090	6,102	.551				6.250	6.256	.562	S	*415066	41
154,70	155,00	16,00	S	*120X155X16★	32	6.250	6.256	.562	S	*455066	45
6,090	6,102	.630				6.250	6.256	.562	S	*475066	47
155,00	155,20	15,00	S	*120X155X15★	32	6.250	6.256	.562	S	*485066	48
6,102	6,110	.591				6.437	6.457	.359	S	*200875%	200E
158,70	159,00	14,00	S	*120X159X14★	32	6.618	6.625	1.141	S	6663S	89
6,248	6,260	.551				6.619	6.625	1.150	S	*4139	#
159,70	160,00	15,00	S	*120X160X15★	32	6.625	6.632	.625	S	*455375	45
6,287	6,299	.591				4.759" SHAFT					
160,00	160,20	12,00	V	*120X160X12V★	35	6.280	6.334	.312	S	*9572%	#
6,299	6,307	.472				4.765" SHAFT					
160,00	160,28	12,00	S	120X160X12★	32	5.999	6.006	1.031	S	370181A	01
6,299	6,310	.472				6.250	6.257	1.050	S	370173A	01
179,67	180,00	15,00	S	*120X180X15★	32	6.251	6.265	.605	S	370005A	09
7,074	7,087	.591				6.311	6.318	1.078	S	370003A	11
						6.311	6.318	1.132	T	380003A	10

SIZE SECTION

For Illustration and Material Data See Technical Section

Designed For A Specific Application - Not Recommended For General Use ➔ Hydrodynamic Lip Design-CW ◄ Hydrodynamic Lip Design-CCW % External Bore

* The U.S. customer service number is 877-4-TIMKEN. The Canadian customer service numbers are 800-565-4927 (English) and 800-565-0438 (French-Canadian). ★ Metric Seal

Hsg. Bore	Seal O.D.	Seal Width	Lip Mat'l	Part No.	Type/ Illus.
4.765" SHAFT (cont.)					
6.999	7.006	1.250	S	370006A	03
4.768" SHAFT					
6.999	7.039	.735	S	*370224A	02
122,00mm (4.803") SHAFT					
139.70	140.00	13.00	S	*122X140X13★	32
5.500	5.512	.512			
4.812" (4-13/16") SHAFT					
5.543	5.551	.472	V	712449◀	32
5.544	5.552	.535	H	3341◀	100
5.750	5.762	.580	T	*327934◀➔	32
5.751	5.756	.562	S	*455251	45
5.751	5.756	.562	H	455251H	45
5.751	5.756	.562	N	*455251N	45
5.751	5.756	.750	S	75251S	7S
5.751	5.757	.512	S	*78021➔	7S
5.751	5.757	.812	S	*78021T◀	7S
5.999	6.007	.500	S	416163	41
5.999	6.007	.500	S	*476163	47
5.999	6.007	.625	S	*455214	45
6.000	6.010	.250	S	*345214	34
6.000	6.010	.250	H	*345214H	34
6.250	6.256	.500	S	456890	45
6.250	6.256	.562	S	*455067	45
6.311	6.316	1.062	S	370027A	03
6.499	6.507	.625	S	*455614	45
6.500	6.507	.865	S	370004A	03
4.835" SHAFT					
5.749	5.756	.375	T	39954◀	DW-H
4.875" (4-7/8") SHAFT					
5.750	5.756	.500	V	*487063V	48
5.999	6.007	.500	S	416167	41
5.999	6.007	.500	N	*416167N	41
5.999	6.007	.500	S	*456167	45
5.999	6.007	.500	S	*486167	48
5.999	6.007	.500	H	*486167H	48
5.999	6.007	.625	S	*415091	41
5.999	6.007	.625	S	455091	45
5.999	6.007	.625	H	*455091H	45
5.999	6.007	.625	S	*475091	47
5.999	6.007	.625	S	*485091	48
6.000	6.006	.562	S	*416621	41
6.000	6.006	.562	N	*416621N	41
6.000	6.006	.562	V	*456621V	45
6.000	6.006	.562	H	*476621H	47
6.001	6.015	.625	S	370195A	07
6.125	6.131	.500	S	417267	41
6.125	6.131	.562	S	*456168	45
6.127	6.132	.625	S	*455217	45
6.250	6.256	.500	S	417269	41
6.250	6.256	.562	S	*415068	41
6.250	6.256	.562	N	*415068N	41
6.250	6.256	.562	S	455068	45
6.250	6.256	.562	N	*455068N	45
6.250	6.256	.562	S	*475068	47
6.250	6.256	.562	S	*485068	48
6.250	6.256	.812	S	*395068	#
6.373	6.379	.921	S	370007A	03
6.375	6.625	.500	S	7866S	75
6.437	6.444	.921	S	370057A	03
6.500	6.506	1.000	S	370121A	03
6.622	6.629	1.000	S	370109A	03

Hsg. Bore	Seal O.D.	Seal Width	Lip Mat'l	Part No.	Type/ Illus.
124,00mm (4.882") SHAFT					
146.00	146.10	14.00	S	710405★	47
5.748	5.752	.551			
158.70	159.00	14.00	S	*124X159X14★	32
6.248	6.260	.551			
169.70	170.00	14.50	S	*124X170X14.5★	32
6.681	6.693	.571			
170.00	—	14.50	S	710381★%	#
6.693	—	.571			
125,00mm (4.921") SHAFT					
—	—	—	S	801300	VRS1
—	—	—	V	801304	VRS1
—	—	.394	S	*99490	Redi-Sleeve
—	—	1.024	S	99492	Redi-Sleeve
140.00	140.18	7.00	S	*315286★	31
5.512	5.519	.276			
144.70	145.00	13.00	S	*125X145X13★	32
5.697	5.709	.512			
146.20	146.50	13.00	S	*125X146.5X13★	32
5.756	5.768	.512			
149.70	150.00	13.00	S	*125X150X13★	32
5.894	5.906	.512			
149.70	150.00	14.00	S	*125X150X14★	32
5.894	5.906	.551			
149.70	150.00	15.00	S	*125X150X15★	32
5.894	5.906	.591			
150.00	150.20	12.00	V	*125X150X12V★	32
5.906	5.913	.472			
150.00	150.28	12.00	S	125X150X12★	32
5.906	5.917	.472			
150.00	150.28	12.00	S	231250★	35
5.906	5.917	.472			
154.70	155.00	14.00	S	*125X155X14★	32
6.090	6.102	.551			
155.00	155.20	12.00	S	125X155X12★	32
6.102	6.110	.472			
155.00	155.20	15.00	S	*125X155X15★	32
6.102	6.110	.591			
159.70	160.00	15.00	S	*125X160X15★	32
6.287	6.299	.591			
160.00	160.28	12.00	S	125X160X12★	32
6.299	6.310	.472			
170.00	170.20	15.00	S	125X170X15★	32
6.693	6.701	.591			
4.937" (4-15/16") SHAFT					
—	—	—	S	801300	VRS1
—	—	—	V	801304	VRS1
5.999	6.007	.500	S	417539	41
5.999	6.007	.625	S	*455216	45
6.131	6.136	.562	S	*455591	45
6.250	6.256	—	S	*6690	#
6.250	6.256	.500	S	417273	41
6.250	6.256	.562	S	*455069	45
6.374	6.382	.500	S	417540	41
6.374	6.382	.625	S	*455247	45
4.993" SHAFT					
—	—	—	S	801300	VRS1
—	—	—	V	801304	VRS1
6.000	6.006	.413	T	39881◀	FW-H
5.000" SHAFT					
—	—	—	S	801300	VRS1
—	—	—	V	801304	VRS1
—	—	.688	S	99498	Redi-Sleeve

For Illustration and Material Data See Technical Section

Designed For A Specific Application - Not Recommended For General Use ➔ Hydrodynamic Lip Design-CW ◀ Hydrodynamic Lip Design-CCW

◀➔ Hydrodynamic Lip Design-Bidirectional % External Bore

* The U.S. customer service number is 877-4-TIMKEN. The Canadian customer service numbers are 800-565-4927 (English) and 800-565-0438 (French-Canadian). ★ Metric Seal

Size Section

Hsg. Bore	Seal O.D.	Seal Width	Lip Mat'l	Part No.	Type/ Illus.	Hsg. Bore	Seal O.D.	Seal Width	Lip Mat'l	Part No.	Type/ Illus.
5.000" SHAFT (cont.)						5.000" SHAFT (cont.)					
-	-	.813		99499	Redi-Sleeve	6.874	6.882	.500	V	*417543V	41
5.750	-	.313	U	710032	#	6.877	6.884	.625	S	415897	41
5.750	5.758	.437	N	*712137	33	6.877	6.884	.625	N	*415897N	41
5.751	5.756	.500	T	*3492	48	6.997	7.003	1.093	V	*4144V	90
5.751	5.756	.500	V	3492V	48	7.000	7.006	1.000	S	*370154A	03
5.999	6.006	.413	T	39880	94	7.000	7.007	.500	S	417544	41
5.999	6.006	.717	T	*5721	90	7.000	7.008	.625	S	*416176	41
5.999	6.007	.500	S	*475725	47	7.000	7.015	1.130	V	370215A	#
5.999	6.007	.500	N	*475725N	47	7.437	7.444	.605	S	370038A	06
5.999	6.007	.500	H	*485725H	48	7.500	7.507	.500	S	417545	41
5.999	6.007	.500	N	*485725N	48	7.500	7.507	.562	S	*415460	41
5.999	6.007	.625	S	*415271	41	7.500	7.507	.562	N	*415460N	41
5.999	6.007	.625	H	*415271H	41	7.500	7.507	.562	S	*455460	45
5.999	6.007	.625	N	*415271N	41	7.500	7.507	.875	N	*4048N	#
5.999	6.007	.625	S	*455271	45	128,00mm (5.039") SHAFT					
5.999	6.007	.625	N	*455271N	45	-	-	-	S	801300	VRS1
5.999	6.007	.625	S	*475271	47	-	-	-	V	801304	VRS1
5.999	6.007	.625	S	*485271	48	146,00	146,10	10,00	S	710411★	47
5.999	6.007	.937	S	*215271	21	5.748	5.752	.394			
6.000	6.006	.413	T	39801	FW-H	150,00	150,28	15,00	S	*128X150X15★	35
152,40	152,80	15,00	T	712109★	FW-H	5.906	5.917	.591			
6.000	6.016	.591			#	5.062" (5-1/16") SHAFT					
6.001	6.006	.500	H	*3782	#	-	-	-	S	801300	VRS1
6.001	6.006	.500	H	*715000	#	-	-	-	V	801304	VRS1
6.001	6.007	.500	S	415725	41	6.374	6.382	.625	S	455290	45
6.001	6.007	.500	N	*415725N	41	6.994	7.004	1.312	L	7378	5L
6.001	6.007	.500	S	*455725	45	7.874	7.881	.500	S	*476519	47
6.001	6.007	.500	N	*455725N	45	130,00mm (5.118") SHAFT					
6.001	6.007	.500	S	*485725	48	-	-	-	S	801300	VRS1
6.001	6.007	.625	V	*455271V	45	-	-	-	V	801304	VRS1
6.003	6.009	.500	H	*416801H	41	-	-	.750		99494	Redi-Sleeve
6.003	6.009	.500	H	*476801H	47	-	-	.866		99491	
6.125	6.131	.500	T	39958	FW-H	149,70	150,00	12,00	S	*130X150X12★	32
6.126	6.131	.562	S	417584	41	5.894	5.906	.472			
6.250	6.256	.250	S	204509	204	149,70	150,00	13,00	S	*130X150X13★	32
6.250	6.256	.500	V	416865V	41	5.894	5.906	.512			
6.250	6.256	.500	V	*456865V	45	150,00	150,10	10,00	S	130X150X10★	47
6.250	6.256	.500	S	416865	41	5.906	5.909	.394			
6.250	6.256	.500	S	*456865	45	150,00	150,10	10,00	S	710380★	47
6.250	6.256	.500	N	456865N	45	5.906	5.909	.394			
6.250	6.256	.500	S	*476865	47	150,00	150,20	15,00	S	*130X150X15★	32
6.250	6.256	.500	S	*486865	48	5.906	5.913	.591			
6.250	6.256	.562	S	*415070	41	150,00	150,40	13,00	T	712114★	FW-H
6.250	6.256	.562	N	*415070N	41	5.906	5.909	.394			
6.250	6.256	.562	V	*415070V	41	5.906	5.921	.512			
6.250	6.256	.562	S	455070	45	150,00	150,44	14,50	T	39806★	FW-H
6.250	6.256	.562	N	*455070N	45	5.906	5.923	.571			
6.250	6.256	.562	V	*455070V	45	150,00	150,44	14,80	T	39805★	FW-H
6.250	6.256	.562	S	*475070	47	5.906	5.923	.583			
6.250	6.256	.562	N	*475070N	47	154,70	155,00	14,00	S	*130X155X14★	32
6.250	6.256	.562	S	*485070	48	6.090	6.102	.551			
6.250	6.256	.605	S	370063A	06	159,70	160,00	13,00	S	*130X160X13★	32
6.250	6.256	.625	S	*455285	45	6.287	6.299	.512			
6.250	6.256	1.375	S	370028A	01	159,70	160,00	14,00	S	*130X160X14★	32
6.251	6.256	.500	N	*416865N	41	6.287	6.299	.551			
6.374	6.382	.625	S	*415312	41	160,00	160,20	12,00	V	*130X160X12V★	32
6.374	6.382	.625	S	*455312	45	6.299	6.307	.472			
6.374	6.382	.625	V	*455312V	45	160,00	160,20	15,00	S	130X160X15★	32
6.375	6.381	.500	S	417278	41	6.299	6.307	.591			
6.375	6.381	.500	S	*457278	45	160,00	160,20	12,00	V	*130X160X12V★	32
6.375	6.381	.500	S	*477278	47	6.299	6.307	.472			
6.375	6.381	.500	S	*487278	48	160,00	160,20	15,00	S	130X160X15★	32
6.499	6.507	.500	S	417541	41	6.299	6.307	.591			
6.499	6.507	.625	S	*415377	41	160,00	160,28	12,00	S	130X160X12★	32
6.499	6.507	.625	S	*455377	45	6.299	6.310	.472			
6.622	6.629	.906	N	*8126N	89	164,70	165,00	13,00	S	*130X165X13★	32
6.622	6.629	.906	S	8126S	89	6.484	6.496	.512			
6.622	6.629	1.093	S	370166A	03	164,70	165,00	15,00	S	*130X165X15★	32
6.749	6.757	.500	S	417542	41	6.484	6.496	.591			
6.749	6.757	.625	S	*455318	45	169,70	170,00	13,00	S	*130X170X13★	32
6.874	6.882	.500	S	417543	41	6.681	6.693	.512			

SIZE SECTION

For Illustration and Material Data See Technical Section

Designed For A Specific Application - Not Recommended For General Use ➔ Hydrodynamic Lip Design-CW ◀ Hydrodynamic Lip Design-CCW

* The U.S. customer service number is 877-4-TIMKEN. The Canadian customer service numbers are 800-565-4927 (English) and 800-565-0438 (French-Canadian). ★ Metric Seal

Hsg. Bore	Seal O.D.	Seal Width	Lip Mat'l	Part No.	Type/ Illus.	Hsg. Bore	Seal O.D.	Seal Width	Lip Mat'l	Part No.	Type/ Illus.
130,00mm (5.118") SHAFT (cont.)						5.250" (5-1/4") SHAFT (cont.)					
170.00	170.20	12.00	V	*130X170X12V★	35	6.375	6.381	.500	S	*487358	48
6.693	6.701	.472				6.499	6.507	.625	S	*415104	41
170.00	170.28	15.00	S	130X170X15★	32	6.499	6.507	.625	H	*415104H	41
6.693	6.704	.591				6.499	6.507	.625	N	*415104N	41
170.00	170.30	12.00	S	130X170X12★	35	6.499	6.507	.625	S	455104	45
6.693	6.705	.472				6.500	6.507	.562	S	*415645	41
189.67	190.00	12.00	S	*130X190X12★	32	6.500	6.507	.562	S	*455645	45
7.467	7.480	.472				6.500	6.507	.562	S	*475645	47
199.67	200.00	12.00	S	*130X200X12★	32	6.500	6.507	.562	S	*485645	48
7.861	7.874	.472				6.625	6.632	.562	S	*417359	41
						6.625	6.632	.562	S	*457359	45
						6.625	6.632	.562	S	*477359	47
						6.625	6.632	.562	S	*487359	48
						6.750	6.757	.500	S	*417549	41
						6.750	6.757	.625	S	*455395	45
						7.375	7.386	1.000	T	380069A	3
						7.375	7.386	1.000	S	370069A	03
5.125" (5-1/8") SHAFT						134,00mm (5.276") SHAFT					
-	-	-	S	801300	VRS1	-	-	-	S	801300	VRS1
-	-	-	V	801304	VRS1	-	-	-	V	801304	VRS1
-	-	.866		99491							
5.999	6.006	.413	T	*907091◄	90						
5.999	6.006	.413	T	*947090◄	94						
6.125	6.131	.500	S	*416557	41						
6.125	6.131	.500	V	456557	45						
6.125	6.131	.500	V	*456557V	45						
6.125	6.131	.562	S	*416172	41						
6.125	6.131	.750	H	*8971H	7S						
6.250	6.256	.500	S	*417258	41						
6.250	6.256	.562	S	*416173	41						
6.250	6.256	.562	N	*416173N	41						
6.250	6.256	.562	S	*476173	47						
6.250	6.256	.562	V	*476173V	47						
6.251	6.256	.562	S	*455824	45						
6.374	6.382	.500	S	*417546	41						
6.374	6.382	.625	S	*415071	41						
6.374	6.382	.625	S	*455071	45						
6.375	6.381	.625	S	*456830	45						
6.376	6.382	.625	N	*455071N	45						
6.499	6.507	.500	S	417547	41						
6.499	6.507	.625	S	*415495	41						
6.499	6.507	.625	S	*455495	45						
6.874	6.882	.625	N	*416049N	41						
6.877	6.884	.625	S	*416977	41						
5.187" SHAFT						5.312" (5-5/16") SHAFT					
-	-	-	S	801300	VRS1	-	-	-	S	801300	VRS1
-	-	-	V	801304	VRS1	-	-	-	V	801304	VRS1
6.499	6.507	.500	S	417548	41	6.499	6.507	.625	S	*455464	45
6.499	6.507	.625	N	*455494N	45	6.500	6.507	.500	S	*417550	41
6.500	6.507	.625	H	455956H	45	6.500	6.507	.625	H	*456986H	45
6.500	6.507	.625	N	*455956N	45	6.500	6.507	1.033	H	*75464H	7S
6.500	6.507	.625	V	*455956V	45	6.500	6.513	.500	T	*327984◄	32
6.500	6.507	.812	H	*77685H	7S	6.500	6.513	.500	T	*327985T◄	32
6.500	6.507	1.093	N	*75658	7S						
6.500	6.507	1.093	H	*75658H	7S						
6.500	6.512	.500	V	*327958◄↔	32						
6.500	6.515	.625	V	*4494V◄↔	#						
5.250" (5-1/4") SHAFT						135,00mm (5.315") SHAFT					
6.250	6.256	.250	S	447060	44	-	-	-	S	801300	VRS1
6.250	6.256	.250	V	*447060V	44	-	-	-	V	801304	VRS1
6.250	6.256	.500	S	*417262	41	154.70	155.00	13.00	S	*135X155X13★	32
6.250	6.256	.500	V	417262V	41	6.090	6.102	.512			
6.250	6.256	.500	S	*457262	45	159.70	160.00	15.00	S	*135X160X15★	32
6.250	6.256	.500	N	*457262N	45	6.287	6.299	.591			
6.250	6.256	.500	S	*477262	47	160.00	160.38	13.00	S	135X160X13★	35
6.250	6.256	.500	S	*487262	48	6.299	6.314	.512			
6.250	6.256	.562	S	455448	45	164.70	165.00	13.00	S	*135X165X13★	32
6.250	6.256	.562	N	*455448N	45	6.484	6.496	.512			
6.250	6.256	.562	V	*455448V	45	164.70	165.00	14.00	S	*135X165X14★	32
6.250	6.256	.625	N	*455799N	45	6.484	6.496	.551			
6.250	6.260	.250	S	345448	34	170.00	170.38	12.00	S	135X170X12★	35
6.375	6.381	.500	S	*417358	41	6.693	6.708	.472			
6.375	6.381	.500	S	*457358	45						
6.375	6.381	.500	S	*477358	47						
5.356" SHAFT						5.375" (5-3/8") SHAFT					
-	-	-	S	801400	VRS1	-	-	-	S	801400	VRS1
-	-	-	S	801402	VRS3	-	-	-	S	801402	VRS3
6.500	6.507	.562	S	*455942	45	-	-	.813	S	*99537	Redi-Sleeve
6.500	6.507	.562	H	*455942H	45						
5.375" (5-3/8") SHAFT						5.375" (5-3/8") SHAFT					
-	-	-	S	801400	VRS1	6.374	6.380	.500	S	*417551	41
-	-	-	S	801402	VRS3	6.374	6.382	.625	S	*456174	45
-	-	.813	S	*99537	Redi-Sleeve	6.499	6.507	.562	S	*455576	45
						6.499	6.507	.625	S	*415461	41
						6.499	6.507	.625	N	*415461N	41
						6.499	6.507	.625	S	*455461	45
						6.500	6.507	.625	N	*455461N	45
						6.624	6.632	.562	S	*455938	45
						6.624	6.632	.562	S	*415938	41

For Illustration and Material Data See Technical Section

Designed For A Specific Application - Not Recommended For General Use ◄ Hydrodynamic Lip Design-CCW ◄↔ Hydrodynamic Lip Design-Bidirectional

Size Section

Hsg. Bore	Seal O.D.	Seal Width	Lip Mat'l	Part No.	Type/ Illus.	Hsg. Bore	Seal O.D.	Seal Width	Lip Mat'l	Part No.	Type/ Illus.
5.375" (5-3/8") SHAFT (cont.)						5.500" (5-1/2") SHAFT (cont.)					
6.624	6.632	.625	S	*415105	41	6.750	6.757	.500	S	*475638	47
6.624	6.632	.625	V	*415105V	41	6.750	6.757	.575	S	*476107	47
6.624	6.632	.625	S	*455105	45	6.750	6.757	.575	S	*486107	48
6.624	6.632	.625	N	*455105N	45	6.750	6.758	.575	S	*416107	41
6.749	6.757	.500	S	*417554	41	6.750	6.758	.575	S	*456107	45
6.749	6.757	.625	S	*415140	41	6.874	6.882	.625	S	*416190	41
6.749	6.757	.625	S	*455140	45	6.874	6.882	.625	S	*456190	45
6.875	6.882	1.000	S	3292	89	6.875	6.882	.562	S	*417361	41
7.500	7.508	.562	V	*456187V	45	6.875	6.882	.562	S	*457361	45
7.873	7.881	.750	N	*456112N	45	6.875	6.882	.562	S	*477361	47
7.874	7.881	.750	S	416112	41	6.875	6.882	.562	S	*487361	48
7.874	7.881	.750	N	*416112N	41	6.875	6.882	.625	N	*456190N	45
7.874	7.881	.750	S	*456112	45	6.997	7.004	1.250	S	7006S	43
5.428" SHAFT						7.000	7.007	.625	S	415610	41
-	-	-	S	801400	VRS1	7.125	7.132	1.187	S	370043A	03
-	-	-	S	801402	VRS3	7.125	7.133	.625	S	416191	41
6.500	6.505	.420	S	710425	230	7.248	7.255	.656	N	*485869N	48
138,00mm (5.433") SHAFT						7.250	7.256	1.187	S	370120A	03
-	-	-	S	801400	VRS1	7.437	7.444	1.000	S	370039A	03
-	-	-	S	801402	VRS3	7.500	7.507	.562	S	*456192	45
152.00	152.10	12.00	S	138X152X12★	47	7.500	7.507	.562	N	*456192N	45
5.984	5.988	.472				7.624	7.631	1.250	S	8635S	21
152.00	152.10	12.00	S	710368★	47	7.625	7.631	1.250	S	*3402	#
5.984	5.988	.472				7.876	7.883	.750	S	*455661	45
152.00	152.20	15.00	S	*138X152X15★	32	8.000	8.009	.625	S	*416195	41
5.984	5.992	.591				8.000	8.009	.750	S	*416196	41
5.437" (5-7/16") SHAFT						8.494	8.501	1.062	S	*3098	#
-	-	-	S	801400	VRS1	8.500	8.507	.625	S	*417419	41
-	-	-	S	801402	VRS3	140,00mm (5.512") SHAFT					
6.749	6.757	.625	L	55357	5L	-	-	-	S	801400	VRS1
5.500" (5-1/2") SHAFT						-	-	-	S	801402	VRS3
-	-	-	S	801400	VRS1	-	-	.807	S	*99552	Redi-Sleeve
-	-	-	S	801402	VRS3	159.70	160.00	14.00	S	*140X160X14★	32
-	-	.812		99549	Redi-Sleeve	6.287	6.299	.551			
6.250	6.257	.500	S	*476842	47	160.00	160.20	12.00	S	140X160X12★	32
6.251	6.257	.500	H	*2151H	25	6.299	6.307	.472			
6.312	6.316	1.250	S	6872S	47	160.00	160.27	13.00	S	140X160X13★	35
6.499	6.507	.625	S	*415273	41	6.299	6.310	.512			
6.499	6.507	.625	N	*415273N	41	160.00	160.27	13.00	S	231402★	35
6.499	6.507	.625	S	*455273	45	6.299	6.310	.512			
6.499	6.507	.625	N	*455273N	45	164.70	165.00	13.00	S	*140X165X13★	32
6.499	6.507	.625	V	*455273V	45	6.484	6.496	.512			
6.500	6.505	1.125	S	*2363	#	165.00	165.28	15.00	S	*140X165X15★	32
6.500	6.505	1.125	S	6873S	43	6.496	6.507	.591			
6.500	6.507	.562	S	*417254	41	167.70	168.00	15.00	S	*140X168X15★	32
6.500	6.507	.562	N	*417254N	41	6.602	6.614	.591			
6.500	6.507	.562	S	*457254	45	169.70	170.00	13.00	S	*140X170X13★	32
6.500	6.507	.562	S	*477254	47	6.681	6.693	.512			
6.500	6.507	.562	S	*487254	48	169.70	170.00	14.00	S	*140X170X14★	32
6.624	6.631	.625	S	*416189	41	6.681	6.693	.551			
6.624	6.631	.625	S	*456189	45	170.00	170.10	14.00	S	710406★	47
6.625	6.632	.562	S	*417360	41	6.693	6.697	.551			
6.625	6.632	.562	S	*457360	45	170.00	170.20	12.00	V	*140X170X12V★	32
6.625	6.632	.562	S	*477360	47	6.693	6.701	.472			
6.625	6.632	.562	S	*487360	48	170.00	170.28	15.00	S	231405★	35
6.625	6.632	.670	H	3054	41	6.693	6.704	.591			
6.625	6.632	.670	V	*3054V	41	170.00	170.30	12.00	S	140X170X12★	32
6.625	6.632	.670	H	*77286H	7S	6.693	6.705	.472			
6.749	6.756	.500	V	*455215V	45	170.00	170.43	15.00	S	140X170X15★	32
6.749	6.756	.625	S	*415073	41	6.693	6.710	.591			
6.749	6.756	.625	H	*415073H	41	174.70	175.00	15.00	S	*140X175X15★	32
6.749	6.756	.625	N	*415073N	41	6.878	6.890	.591			
6.749	6.756	.625	V	*415073V	41	179.67	180.00	15.00	S	*140X180X15★	32
6.749	6.757	.625	S	455073	45	7.074	7.087	.591			
						180.00	180.30	12.00	S	140X180X12★	35
						7.087	7.098	.472			
						180.00	180.38	18.00	S	140X180X18★	32
						7.087	7.102	.709			
						184.67	185.00	16.00	S	*140X185X16★	32
						7.270	7.283	.630			

SIZE SECTION

For Illustration and Material Data See Technical Section

Designed For A Specific Application - Not Recommended For General Use

* The U.S. customer service number is 877-4-TIMKEN. The Canadian customer service numbers are 800-565-4927 (English) and 800-565-0438 (French-Canadian). ★ Metric Seal

Hsg. Bore	Seal O.D.	Seal Width	Lip Mat'l	Part No.	Type/ Illus.	Hsg. Bore	Seal O.D.	Seal Width	Lip Mat'l	Part No.	Type/ Illus.
142,00mm (5.591") SHAFT						5.750" (5-3/4") SHAFT					
156.70	157.00	10.00	S	* 142X157X10★	32	—	—	—	S	801500	VRS1
6.169	6.181	.394				—	—	—	V	801504	VRS1
5.625" (5-5/8") SHAFT						5.812" (5-13/16") SHAFT					
—	—	—	S	801400	VRS1	—	—	—	S	801500	VRS1
—	—	—	S	801402	VRS3	7.125	7.132	.625	S	* 8662	35
6.624	6.631	.500	S	417555	41	148,00mm (5.827") SHAFT					
6.624	6.631	.625	S	* 455487	45	—	—	—	S	801500	VRS1
6.624	6.631	.625	H	* 455487H	45	—	—	—	V	801504	VRS1
6.624	6.631	.625	N	* 455487N	45	170.00	170.28	15.00	S	148X170X15★	35
6.625	6.631	.500	S	* 415920	41	6.693	6.704	.591			
6.625	6.631	.625	S	* 415487	41	5.875" (5-7/8") SHAFT					
6.625	6.631	.625	N	* 415487N	41	—	—	—	S	801500	VRS1
6.750	6.757	.500	V	* 417942V	41	—	—	—	V	801504	VRS1
6.874	6.882	.500	S	417556	41	—	—	1.000	S	* 99587	Redi-Sleeve
6.874	6.882	.500	V	* 417556V	41	7.125	7.133	.500	S	* 3620	#
6.874	6.882	.625	S	* 455106	45	7.125	7.133	.500	S	416476	41
7.125	7.131	.500	S	417040	41	7.125	7.133	.625	S	* 415075	41
7.125	7.133	.625	S	* 455652	45	7.125	7.133	.625	N	* 415075N	41
7.186	7.194	.906	S	370064A	03	7.125	7.133	.625	S	455075	45
7.500	7.508	.562	S	* 456199	45	7.500	7.508	.562	S	455297	45
5.640" SHAFT						7.999	8.007	.750	S	456052	45
7.501	7.507	.605	S	370119A	06	8.001	8.007	.750	S	3016	45
144,00mm (5.669") SHAFT						5.812" (5-13/16") SHAFT					
—	—	—	S	801400	VRS1	—	—	—	S	801500	VRS1
—	—	—	S	801402	VRS3	—	—	—	V	801504	VRS1
160.00	160.25	12.00	S	144X160X12★	35	7.125	7.132	.625	S	* 8662	35
6.299	6.309	.472				148,00mm (5.827") SHAFT					
145,00mm (5.709") SHAFT						—	—	—	S	801500	VRS1
—	—	—	S	801400	VRS1	—	—	—	V	801504	VRS1
—	—	—	S	801402	VRS3	170.00	170.28	15.00	S	148X170X15★	35
164.00	164.10	14.00	S	145X164X14★	47	6.693	6.704	.591			
6.457	6.461	.551				5.875" (5-7/8") SHAFT					
164.00	164.10	14.00	S	710369★	47	—	—	—	S	801500	VRS1
6.457	6.461	.551				—	—	—	V	801504	VRS1
164.00	164.20	15.00	S	* 145X164X15★	32	7.125	7.133	.500	S	* 3620	#
6.457	6.465	.591				7.125	7.133	.500	S	416476	41
164.70	165.00	13.00	S	* 145X165X13★	32	7.125	7.133	.625	S	* 415075	41
6.484	6.496	.512				7.125	7.133	.625	N	* 415075N	41
164.70	165.00	14.00	S	* 145X165X14★	32	7.125	7.133	.625	S	455075	45
6.484	6.496	.551				7.500	7.508	.562	S	455297	45
166.70	167.00	13.00	S	* 145X167X13★	32	7.999	8.007	.750	S	456052	45
6.563	6.575	.512				8.001	8.007	.750	S	3016	45
169.70	170.00	13.00	S	* 145X170X13★	32	5.812" (5-13/16") SHAFT					
6.681	6.693	.512				—	—	—	S	801500	VRS1
169.70	170.00	15.00	S	* 145X170X15★	32	—	—	—	V	801504	VRS1
6.681	6.693	.591				7.125	7.132	.625	S	* 8662	35
170.00	170.45	12.00	S	145X170X12★	32	148,00mm (5.827") SHAFT					
6.693	6.711	.472				—	—	—	S	801500	VRS1
174.70	175.00	13.00	S	* 145X175X13★	32	—	—	—	V	801504	VRS1
6.878	6.890	.512				170.00	170.28	15.00	S	148X170X15★	35
174.70	175.00	14.00	S	* 145X175X14★	32	6.693	6.704	.591			
6.878	6.890	.551				5.875" (5-7/8") SHAFT					
175.00	175.38	15.00	S	145X175X15★	32	—	—	—	S	801500	VRS1
6.890	6.905	.591				—	—	—	V	801504	VRS1
180.00	180.28	12.00	S	145X180X12★	35	—	—	1.000	S	* 99587	Redi-Sleeve
7.087	7.098	.472				7.125	7.133	.500	S	* 3620	#
146,00mm (5.748") SHAFT						7.125	7.133	.500	S	416476	41
—	—	—	S	801500	VRS1	7.125	7.133	.625	S	* 415075	41
—	—	—	V	801504	VRS1	7.125	7.133	.625	N	* 415075N	41
—	—	.813		99575	Redi-Sleeve	7.125	7.133	.625	S	455075	45
6.751	6.763	.500	V	* 357971V	35	7.500	7.508	.562	S	455297	45

For Illustration and Material Data See Technical Section

Designed For A Specific Application - Not Recommended For General Use

* The U.S. customer service number is 877-4-TIMKEN. The Canadian customer service numbers are 800-565-4927 (English) and 800-565-0438 (French-Canadian). ★ Metric Seal

Size Section

Hsg. Bore	Seal O.D.	Seal Width	Lip Mat'l	Part No.	Type/ Illus.	Hsg. Bore	Seal O.D.	Seal Width	Lip Mat'l	Part No.	Type/ Illus.
150,00mm (5.906") SHAFT						6.000" SHAFT (cont.)					
-	-	-	S	801500	VRS1	7.127	7.133	.500	S	*447582	44
-	-	-	V	801504	VRS1	7.238	7.244	.472	S	*447975	44
167.70	168.00	13.00	S	*150X168X13★	32	7.475	7.481	.590	T	39715◀	#
6.602	6.614	.512				7.500	7.508	.562	S	415072	41
169.70	170.00	15.00	S	*150X170X15★	32	7.500	7.508	.562	H	*415072H	41
6.681	6.693	.591				7.500	7.508	.562	V	*415072V	41
174.70	175.00	10.00	S	*150X175X10★	32	7.500	7.508	.562	S	*455072	45
6.878	6.890	.394				7.501	7.508	.562	S	*475072	47
179.67	180.00	13.00	S	*150X180X13★	32	7.501	7.508	.562	S	*485072	48
7.074	7.087	.512				7.875	7.881	.605	S	*370077A	06
179.67	180.00	14.00	S	*150X180X14★	32	8.187	8.194	1.250	S	*8091	#
7.074	7.087	.551				8.500	8.509	.625	S	*416232	41
180.00	180.20	15.00	V	*150X180X15V★	32	154,00mm (6.063") SHAFT					
7.087	7.094	.591				-	-	-	S	801500	VRS1
180.00	180.35	12.00	S	150X180X12★	32	-	-	-	V	801504	VRS1
7.087	7.100	.472				171.70	172.00	14.00	S	*154X172X14★	32
180.00	180.35	15.00	S	150X180X15★	35	6.760	6.772	.551			
7.087	7.100	.591				172.00	172.20	15.00	S	*154X172X15★	32
184.67	185.00	16.00	S	*150X185X16★	32	6.772	6.780	.591			
7.270	7.283	.630				6.077" SHAFT					
189.67	190.00	15.00	S	*150X190X15★	32	-	-	-	S	801500	VRS1
7.467	7.480	.591				-	-	-	V	801504	VRS1
199.67	200.00	13.00	S	*150X200X13★	32	7.328	7.336	.445	T	39889◀	W-H
7.861	7.874	.512				7.328	7.336	.445	T	39890▶	W-H
209.67	210.00	15.00	S	*150X210X15★	32	155,00mm (6.102") SHAFT					
8.255	8.268	.591				-	-	1.024	99606	Redi-Sleeve	
224.67	225.00	12.00	S	*150X225X12★	32	171.70	172.00	14.00	S	*155X172X14★	32
8.845	8.858	.472				6.760	6.772	.551			
5.937" (5-15/16") SHAFT						173.70	174.00	12.00	S	*155X174X12★	32
-	-	-	S	801500	VRS1	6.838	6.850	.472			
-	-	-	V	801504	VRS1	179.67	180.00	12.00	S	*155X180X12★	32
-	-	1.000	★99596	Redi-Sleeve		7.074	7.087	.472			
6.801	-	1.125	S	8907	#	179.67	180.00	13.00	S	*155X180X13★	32
7.502	7.508	.562	S	417780	41	7.074	7.087	.512			
5.997" SHAFT						180.00	180.23	15.00	S	155X180X15★	32
-	-	-	S	801500	VRS1	7.087	7.096	.591			
-	-	-	V	801504	VRS1	184.67	185.00	16.00	S	*155X185X16★	32
-	-	.500	99601	Redi-Sleeve		7.270	7.283	.630			
-	-	1.000	99599	Redi-Sleeve		6.107" SHAFT					
7.125	7.131	.500	T	39956◀	DW-H	6.750	6.757	.500	V	*4165◀	#
6.000" SHAFT						6.750	6.757	.500	V	*4165V◀	#
-	-	-	S	801500	VRS1	6.750	6.757	.675	V	*600319◀	41
-	-	-	V	801504	VRS1	6.110" SHAFT					
-	-	.500	99601	Redi-Sleeve		7.187	7.192	.400	S	*710500	230
-	-	1.000	99599	Redi-Sleeve		6.125" (6-1/8") SHAFT					
6.750	6.756	.437	T	39807◀	W-H	6.750	6.757	.375	H	*336665H	33
6.750	6.757	.500	H	*2297◀	25	7.125	7.131	.500	V	*486701	48
6.750	6.757	.500	V	2297V◀	25	7.125	7.133	.625	S	*415330	41
6.750	6.757	.625	T	39823▶	DW-H	7.125	7.133	.625	S	455330	45
6.751	6.757	.375	S	447793	44	7.125	7.133	.625	H	*455330H	45
7.000	7.007	.500	S	415683	41	7.500	7.508	.562	S	415074	41
7.000	7.008	.625	S	*416055	41	7.500	7.508	.562	H	*415074H	41
7.000	7.008	.625	N	*416055N	41	7.500	7.508	.562	N	*415074N	41
7.001	7.008	.625	V	456055	45	7.500	7.508	.562	S	*455074	45
7.001	7.008	.625	N	*456055N	45	7.627	7.633	.625	S	457874	45
7.001	7.008	.625	V	*456055V	45	7.750	7.756	.750	S	*417017	41
7.125	7.132	.562	S	417365	41	7.875	7.881	.750	N	*417053N	41
7.125	7.132	.562	S	*457365	45						
7.125	7.132	.562	S	*477365	47						
7.125	7.132	.562	S	*487365	48						
7.125	7.133	.625	S	*416219	41						
7.125	7.133	.625	H	*416219H	41						
7.125	7.133	.625	N	*416219N	41						
7.125	7.133	.625	N	*456219N	45						

For Illustration and Material Data See Technical Section

Designed For A Specific Application - Not Recommended For General Use ▶ Hydrodynamic Lip Design-CW ◀ Hydrodynamic Lip Design-CCW

* The U.S. customer service number is 877-4-TIMKEN. The Canadian customer service numbers are 800-565-4927 (English) and 800-565-0438 (French-Canadian). ★ Metric Seal

Hsg. Bore	Seal O.D.	Seal Width	Lip Mat'l	Part No.	Type/ Illus.	Hsg. Bore	Seal O.D.	Seal Width	Lip Mat'l	Part No.	Type/ Illus.
156,00mm (6.142") SHAFT						160,00mm (6.299") SHAFT (cont.)					
180.00	180.20	15.00	T	712110★◄	W	200.00	200.20	15.00	S	160X200X15★	32
7.087	7.094	.591				7.874	7.882	.591			
180.00	180.40	15.00	T	712122★◄	FW-H	239.67	240.00	15.00	S	*160X240X15★	32
7.087	7.102	.591				9.436	9.449	.591			
8.000	8.007	.658	V	*4602V	#						
6.187" (6-3/16") SHAFT						6.312" SHAFT					
7.250	7.258	.734	S	417921	41	7.500	7.507	.690	H	*3061H	41
7.500	7.507	.562	H	*455583H	45	7.500	7.507	.690	V	*3061V	41
7.500	7.507	.562	N	455583N	45	7.500	7.507	.690	H	*77322H	7S
7.500	7.508	.562	S	455583	45	7.500	7.507	.690	V	*77322V	7S
6.198" SHAFT						6.328" SHAFT					
7.328	7.336	.354	T	39885◄	FW-H	7.329	7.336	.500	H	3807	64
7.328	7.336	.445	T	39888◄	FW-H						
6.202" SHAFT						6.375" (6-3/8") SHAFT					
7.329	7.336	.377	T	39886◄	DW-H	7.875	7.881	.750	S	*415110	41
						7.875	7.883	.500	S	417563	41
						8.000	8.008	1.060	S	*7516	#
6.204" SHAFT						162,00mm (6.378") SHAFT					
7.328	7.336	.562	H	2628	64	200.00	200.20	15.00	S	*162X200X15★	32
7.330	7.336	.445	T	39887➔	FW-H	7.874	7.882	.591			
6.238" SHAFT						165,00mm (6.496") SHAFT					
8.654	8.661	.560	T	*39044◄	90	-	-	1.000		99650	Redi-Sleeve
8.655	8.661	1.100	T	39883◄	90	189.67	190.00	14.00	S	*165X190X14★	32
						7.467	7.480	.551			
6.250" (6-1/4") SHAFT						165,00mm (6.496") SHAFT (cont.)					
-	-	1.031		99625	Redi-Sleeve	189.67	190.00	15.00	S	*165X190X15★	32
7.500	7.508	.562	S	*415480	41	7.467	7.480	.591			
7.500	7.508	.562	S	455480	45	190.00	190.35	13.00	S	165X190X13★	41
7.500	7.508	.562	H	*455480H	45	7.480	7.494	.512			
7.500	7.508	.562	V	455480V	45	7.632	7.638	.497	T	37586	#
7.750	7.758	.500	S	417562	41	194.67	195.00	15.00	S	*165X195X15★	32
7.750	7.758	.750	S	*455109	45	7.664	7.677	.591			
7.875	7.881	.750	S	415854	41	199.67	200.00	14.00	S	*165X200X14★	32
7.875	7.881	.750	S	*455854	45	7.861	7.874	.551			
						9.600	9.606	.540	T	39861◄	#
160,00mm (6.299") SHAFT						6.500" (6-1/2") SHAFT					
-	-	1.000		99630	Redi-Sleeve	-	-	-	S	801700	VRS1
179.67	180.00	10.00	S	*160X180X10★	32	-	-	-	S	801701	VRS2
7.074	7.087	.394				-	-	1.000		99650	Redi-Sleeve
179.67	180.00	13.00	S	*160X180X13★	32	7.382	7.392	.622	S	*415913	41
7.074	7.087	.512				7.382	7.392	.622	N	*415913N	41
181.67	182.00	18.00	S	*160X182X18★	32	7.500	7.508	.562	S	415294	41
7.152	7.165	.709				7.500	7.508	.562	N	*415294N	41
184.67	185.00	13.00	S	*160X185X13★	32	7.500	7.508	.562	S	455294	45
7.270	7.283	.512				7.500	7.508	.562	N	*455294N	45
185.00	185.20	10.00	V	*160X185X10V★	35	7.500	7.508	.562	V	*455294V	45
7.283	7.291	.394				7.501	7.508	.812	S	*3276	#
185.00	185.35	10.00	S	160X185X10★	35	7.627	7.633	.625	S	*457808	45
7.283	7.297	.394				8.000	8.007	.625	T	41509➔	PDW
189.67	190.00	13.00	S	*160X190X13★	32	8.000	8.007	.625	T	41510◄	PDW
7.467	7.480	.512				8.000	8.009	.625	S	416229	41
190.00	190.20	15.00	V	*160X190X15V★	32	8.000	8.009	.625	N	*416229N	41
7.480	7.488	.591				8.000	8.009	.750	S	*415111	41
190.00	190.35	15.00	S	160X190X15★	32	8.000	8.009	.750	S	*455111	45
7.480	7.494	.591				8.000	8.009	.750	H	*455111H	45
190.00	190.40	13.00	T	712118★◄	FW-H	8.750	8.757	.750	N	*457131N	45
7.480	7.496	.512				9.252	9.260	.750	S	*416592	41
199.67	200.00	14.00	S	*160X200X14★	32						
7.861	7.874	.551				6.625" (6-5/8") SHAFT					
200.00	200.20	12.00	S	160X200X12★	32	-	-	-	S	801700	VRS1
7.874	7.882	.472				-	-	-	S	801701	VRS2
						8.000	8.007	.750	T	*914411◄	91

For Illustration and Material Data See Technical Section

Designed For A Specific Application - Not Recommended For General Use ➔ Hydrodynamic Lip Design-CW ◄ Hydrodynamic Lip Design-CCW

Size Section

Hsg. Bore	Seal O.D.	Seal Width	Lip Mat'l	Part No.	Type/ Illus.	Hsg. Bore	Seal O.D.	Seal Width	Lip Mat'l	Part No.	Type/ Illus.
6.625" (6-5/8") SHAFT (cont.)						6.937" (6-15/16") SHAFT					
8.000	8.007	.750	T	*914412◀	91	—	—	—	S	801800	VRS1
8.000	8.007	1.000	T	*914413▶	91	8.129	8.138	.750	S	*455592	45
8.007	8.014	.605	S	*370149A	06	6.956" SHAFT					
8.125	8.134	.625	S	417298	41	—	—	—	S	801800	VRS1
9.615	9.622	.979	V	*4354V	#	8.625	8.633	.750	S	*3123	#
170,00mm (6.693") SHAFT						7.000" SHAFT					
—	—	—	S	801700	VRS1	—	—	—	S	801800	VRS1
—	—	—	S	801701	VRS2	—	—	1.000	S	99700	Redi-Sleeve
—	—	1.250	S	*99640	Redi-Sleeve	8.000	8.007	.562	S	*455699	45
189.67	190.00	10.00	S	*170X190X10★	32	8.000	8.007	.750	S	*455517	45
7.467	7.480	.394				8.000	8.007	.750	N	*455517N	45
189.67	190.00	14.00	S	*170X190X14★	32	8.000	8.009	.625	S	416364	41
7.467	7.480	.551				8.000	8.009	.625	N	*416364N	41
200.00	200.35	15.00	S	170X200X15★	32	8.000	8.009	.625	V	*416364V	41
7.874	7.888	.591				8.000	8.009	.625	S	*456364	45
210.00	210.20	15.00	S	170X210X15★	32	8.000	8.009	.625	N	*456364N	45
8.268	8.276	.591				8.000	8.009	.625	V	*456364V	45
6.750" (6-3/4") SHAFT						7.000" SHAFT (cont.)					
—	—	—	S	801700	VRS1	8.001	8.009	.750	S	*455282	45
—	—	—	S	801701	VRS2	8.001	8.009	.750	N	*455282N	45
—	—	.813	S	99675	Redi-Sleeve	8.250	8.257	.625	S	417597	41
7.657	7.750	.500	S	*476871	47	8.250	8.258	.750	S	*455452	45
8.000	8.007	.625	S	*455327	45	8.251	8.258	.625	S	*457466	45
8.000	8.007	.625	V	*455327V	45	8.375	8.382	.625	S	417255	41
8.000	8.009	.625	S	415327	41	8.375	8.382	.750	S	*416674	41
8.000	8.009	.625	H	*415327H	41	8.375	8.382	.750	N	*416674N	41
8.000	8.009	.625	N	*415327N	41	8.375	8.382	.750	V	416674V	41
8.007	8.017	.625	S	416362	41	8.377	8.384	.750	S	*456724	45
8.007	8.017	.625	N	*416362N	41	8.500	8.507	1.031	S	*216239	21
8.007	8.017	.625	V	*416362V	41	8.500	8.509	.625	S	416239	41
8.250	8.257	.562	S	417596	41	8.500	8.509	.750	S	*415084	41
8.250	8.257	.750	S	*415092	41	8.500	8.509	.750	N	*415084N	41
8.500	8.509	.625	S	416008	41	8.500	8.509	.750	S	*455084	45
6.772" SHAFT						7.000" SHAFT (cont.)					
—	—	—	S	801700	VRS1	8.500	8.509	.750	S	*475084	47
—	—	—	S	801701	VRS2	8.750	8.759	.625	S	417564	41
9.000	9.007	.658	V	*4603V	#	8.750	8.759	.750	S	*455421	45
6.775" SHAFT						7.000" SHAFT (cont.)					
—	—	—	S	801700	VRS1	9.313	9.321	.625	S	415876	41
—	—	—	S	801701	VRS2	9.313	9.321	.625	V	415876V	41
7.875	7.880	.360	S	710562	230	180,00mm (7.087") SHAFT					
6.875" (6-7/8") SHAFT						—	—	—	S	801800	VRS1
—	—	—	S	801700	VRS1	—	—	1.300	S	*99721	Redi-Sleeve
—	—	—	S	801701	VRS2	199.67	200.00	14.00	S	*180X200X14★	32
7.875	7.883	.625	S	455948	45	7.861	7.874	.551			
8.375	8.382	.625	S	455584	45	199.67	200.00	15.00	S	*180X200X15★	32
8.375	8.382	.625	N	*455584N	45	7.861	7.874	.591			
8.375	8.382	.750	S	*455114	45	210.00	210.35	15.00	S	180X210X15★	32
8.543	8.543	.825	S	*3124%	46	8.268	8.281	.591			
175,00mm (6.890") SHAFT						214.67	215.00	15.00	S	*180X215X15★	32
—	—	—	S	801700	VRS1	8.452	8.465	.591			
—	—	—	S	801701	VRS2	219.67	220.00	15.00	S	*180X220X15★	32
—	—	—	S	801800	VRS1	8.648	8.661	.591			
200.00	200.35	15.00	S	175X200X15★	32	219.67	220.00	16.00	S	*180X220X16★	32
7.874	7.888	.591				8.648	8.661	.630			
209.67	210.00	15.00	S	*175X210X15★	32	7.117" SHAFT					
8.255	8.268	.591				—	—	—	S	801800	VRS1
229.67	230.00	20.00	S	*175X230X20★	32	8.126	8.134	.750	S	*415859	41
9.042	9.055	.787				7.125" (7-1/8") SHAFT					
7.117" SHAFT (cont.)						—	—	—	S	801800	VRS1
—	—	—	S	801700	VRS1	8.007	8.017	.625	S	*415927	41
—	—	—	S	801701	VRS2	8.494	8.501	1.062	S	*7747	47
—	—	—	S	801800	VRS1	8.625	8.632	.562	S	416077	41
200.00	200.35	15.00	S	175X200X15★	32	8.625	8.632	.562	N	*416077N	41
7.874	7.888	.591				7.125" (7-1/8") SHAFT (cont.)					
209.67	210.00	15.00	S	*175X210X15★	32	—	—	—	S	801800	VRS1
8.255	8.268	.591				8.007	8.017	.625	S	*415927	41
229.67	230.00	20.00	S	*175X230X20★	32	8.494	8.501	1.062	S	*7747	47
9.042	9.055	.787				8.625	8.632	.562	S	416077	41
7.117" SHAFT (cont.)						8.625	8.632	.562	N	*416077N	41

SIZE SECTION

For Illustration and Material Data See Technical Section

Designed For A Specific Application - Not Recommended For General Use ▶ Hydrodynamic Lip Design-CW ◀ Hydrodynamic Lip Design-CCW % External Bore

* The U.S. customer service number is 877-4-TIMKEN. The Canadian customer service numbers are 800-565-4927 (English) and 800-565-0438 (French-Canadian). ★ Metric Seal

Hsg. Bore	Seal O.D.	Seal Width	Lip Mat'l	Part No.	Type/ Illus.	Hsg. Bore	Seal O.D.	Seal Width	Lip Mat'l	Part No.	Type/ Illus.
7.125" (7-1/8") SHAFT (cont.)						7.500" (7-1/2") SHAFT (cont.)					
8.625	8.634	.750	S	*415115	41	9.000	9.010	.750	V	415551V	41
8.625	8.634	.750	N	*415115N	41	9.000	9.010	.750	S	*455551	45
7.250" (7-1/4") SHAFT						7.625" (7-5/8") SHAFT					
-	-	-	S	801800	VRS1	-	-	-	S	801900	VRS1
-	-	1.250		*99725	Redi-Sleeve	-	-	-	S	801901	VRS2
8.125	8.132	.940	T	39815	DW-H	-	-	-	S	802000	VRS1
8.125	8.133	.500	T	39701	FW-H	8.623	8.630	.715	S	*416482	41
8.250	8.257	.625	S	*456044	45	8.625	8.632	.562	S	416102	41
8.250	8.257	.625	S	416044	41	9.125	9.133	.625	S	417598	41
8.750	8.758	.605	S	370175A	06	9.125	9.133	.625	V	417598V	41
8.750	8.759	.750	S	415116	41	9.250	9.258	.625	S	*457991	45
9.125	9.133	.750	S	*416395	41	195,00mm (7.677") SHAFT					
185,00mm (7.283") SHAFT						229,67	230,00	16,00	S	*195X230X16★	32
-	-	-	S	801800	VRS1	9.042	9.055	.787	S	*195X230X20★	32
209,67	210,00	15,00	S	*185X210X15★	32	7.718" (7-25/32") SHAFT					
8.255	8.268	.591				-	-	-	S	801990	VRS1
210,00	210,35	13,00	S	185X210X13★	35	-	-	-	S	801991	VRS2
8.268	8.281	.512				-	-	-	S	802000	VRS1
215,00	215,22	16,00	S	*185X215X16★	32	9.186	9.191	.875	S	*8562	#
8.465	8.473	.630				7.750" (7-3/4") SHAFT					
7.375" (7-3/8") SHAFT						-	-	-	S	801990	VRS1
-	-	-	S	801900	VRS1	-	-	-	S	801991	VRS2
-	-	-	S	801901	VRS2	-	-	-	S	802000	VRS1
8.875	8.882	.750	S	455117	45	-	-	1.000	*99775	Redi-Sleeve	
8.875	8.882	.750	V	*455117V	45	9.000	9.010	.625	S	457299	45
9.000	9.010	.750	S	415317	41	9.250	9.258	.750	S	*415120	41
9.054	9.063	1.062	S	*370082A	03	9.250	9.260	.625	S	455406	45
9.375	9.382	.750	S	*456248	45	10.000	10.008	.750	S	417115	41
9.615	9.622	.979	V	4353	#	10.500	10.510	.750	N	*457149N	45
190,00mm (7.480") SHAFT						10.500	10.510	.750	V	*457149V	45
-	-	-	S	801900	VRS1	7.872" SHAFT					
-	-	-	S	801901	VRS2	-	-	-	S	801990	VRS1
-	-	-	S	802000	VRS1	-	-	-	S	801991	VRS2
209,67	210,00	10,00	S	*190X210X10★	32	-	-	-	S	802000	VRS1
8.255	8.268	.394				-	-	1.359	99787	Redi-Sleeve	
209,67	210,00	15,00	S	*190X210X15★	32	9.500	9.507	.750	S	*455945	45
8.255	8.268	.591				200,00mm (7.874") SHAFT					
220,00	220,35	15,00	S	*190X220X15★	32	-	-	-	S	801990	VRS1
8.661	8.675	.591				-	-	-	S	801991	VRS2
220,00	220,35	16,00	S	*231905★	35	-	-	-	S	802000	VRS1
8.661	8.675	.630				-	-	1.359	99787	Redi-Sleeve	
220,00	220,35	16,00	S	190X220X16★	32	229,67	230,00	13,00	S	*200X230X13★	32
8.661	8.675	.630				9.042	9.055	.512			
224,67	225,00	12,00	S	*190X225X12★	32	230,00	230,20	15,00	V	*200X230X15V★	32
8.845	8.858	.472				9.055	9.063	.591			
224,67	225,00	16,00	S	*190X225X16★	32	230,00	230,35	15,00	S	200X230X15★	32
8.845	8.858	.630				9.055	9.069	.591			
225,00	225,20	16,00	V	*190X225X16V★	32	234,67	235,00	15,00	S	*200X235X15★	32
8.858	8.866	.630				9.239	9.252	.591			
229,67	230,00	15,00	S	*190X230X15★	32	239,67	240,00	15,00	S	*200X240X15★	32
9.042	9.055	.591				9.436	9.449	.591			
230,00	230,20	16,00	S	190X230X16★	32	7.500" (7-1/2") SHAFT					
9.055	9.063	.630				-	-	-	S	801900	VRS1
7.500" (7-1/2") SHAFT						-	-	-	S	801901	VRS2
-	-	-	S	801900	VRS1	-	-	-	S	802000	VRS1
-	-	-	S	801901	VRS2	-	-	.813	99750	Redi-Sleeve	
-	-	-	S	802000	VRS1	8.500	8.509	.625	S	415867	41
-	-	.813		99750	Redi-Sleeve	8.500	8.509	.625	V	455867V	45
8.500	8.509	.625	S	415867	41	9.000	9.010	.750	V	415551	41
8.500	8.509	.625	V	455867V	45	9.000	9.010	.750	N	*415551N	41
9.000	9.010	.750	S	415551	41						
9.000	9.010	.750	N	*415551N	41						

For Illustration and Material Data See Technical Section

Designed For A Specific Application - Not Recommended For General Use ♦ Hydrodynamic Lip Design-CCW

Size Section

Hsg. Bore	Seal O.D.	Seal Width	Lip Mat'l	Part No.	Type/ Illus.	Hsg. Bore	Seal O.D.	Seal Width	Lip Mat'l	Part No.	Type/ Illus.
200,00mm (7.874") SHAFT (cont.)						205,00mm (8.071") SHAFT					
239.67	240.00	20.00	S	*200X240X20★	32	224.67	225.00	18.00	S	*205X225X18★	32
9.436	9.449	.787				8.845	8.858	.709			
249.67	250.00	16.00	S	*200X250X16★	32	234.67	235.00	18.00	S	*205X235X18★	32
9.830	9.843	.630				9.239	9.252	.709			
249.67	250.00	20.00	S	*200X250X20★	32	8.125" (8-1/8") SHAFT					
9.830	9.843	.787				-	-	-	S	801990	VRS1
7.875" SHAFT						-	-	-	S	801991	VRS2
9.000	9.010	.750	S	*455397	45	-	-	-	S	802000	VRS1
9.250	9.258	1.000	S	*417657	41	8.750	8.757	.375	S	*256656	25
9.375	9.383	.750	S	*455121	45	9.371	9.379	.425	S	*3594	#
9.375	9.383	.750	N	*455121N	45	9.375	9.379	.750	S	*455944	45
9.375	9.383	.750	V	455121V	45	10.125	10.130	.750	S	*455123	45
10.000	10.008	.625	S	417016	41	8.250" (8-1/4") SHAFT					
10.000	10.008	.750	S	*417114	41	-	-	-	S	801990	VRS1
10.234	10.242	.605	S	*370151A	06	-	-	-	S	801991	VRS2
7.908" SHAFT						-	-	-	S	802000	VRS1
-	-	-	S	801990	VRS1	9.250	9.258	.625	S	455475	45
-	-	-	S	801991	VRS2	9.500	9.509	.625	V	458009V	45
-	-	-	S	802000	VRS1	10.250	10.260	.750	S	*415124	41
9.528	9.535	.960	S	*3776S	#	10.625	10.633	.750	S	*416951	41
7.927" SHAFT						11.500	11.507	.750	S	416422	41
-	-	-	S	801990	VRS1	11.500	11.507	.750	N	*416422N	41
-	-	-	S	801991	VRS2	210,00mm (8.268") SHAFT					
-	-	-	S	802000	VRS1	-	-	-	S	801990	VRS1
9.174	9.182	.687	S	*8228	#	-	-	-	S	801991	VRS2
7.937" (7-15/16") SHAFT						-	-	-	S	802000	VRS1
-	-	-	S	801990	VRS1	240.00	240.35	15.00	S	210X240X15★	35
-	-	-	S	801991	VRS2	9.449	9.463	.591			
-	-	-	S	802000	VRS1	249.67	250.00	16.00	S	*210X250X16★	32
-	-	1.000	S	*99799	Redi-Sleeve	9.830	9.843	.630			
8.750	8.757	.565	S	417817	41	250.00	250.20	15.00	S	210X250X15★	32
7.995" SHAFT						9.843	9.850	.591			
-	-	-	S	801990	VRS1	269.67	270.00	16.00	S	*210X270X16★	32
-	-	-	S	801991	VRS2	10.617	10.630	.630			
-	-	-	S	802000	VRS1	8.345" SHAFT					
-	-	1.000	S	*99800	Redi-Sleeve	-	-	-	S	802200	VRS1
10.000	10.010	.750	S	*416403	41	10.750	10.758	1.125	S	*396412	#
11.625	11.633	1.078	S	8724S	41	8.375" (8-3/8") SHAFT					
8.000" SHAFT						-	-	-	S	802200	VRS1
-	-	-	S	801990	VRS1	10.375	10.385	.625	S	*417022	41
-	-	-	S	801991	VRS2	8.500" (8-1/2") SHAFT					
-	-	-	S	802000	VRS1	-	-	-	S	802200	VRS1
-	-	1.000	S	*99800	Redi-Sleeve	9.500	9.509	.625	V	455828V	45
9.000	9.010	.750	S	415656	41	10.000	10.008	.625	S	*417603	41
9.250	9.258	.625	S	*417600	41	10.000	10.010	.687	S	*456554	45
9.250	9.260	.750	S	*415299	41	10.000	10.010	.750	S	*415489	41
9.250	9.260	.750	S	*455299	45	10.000	10.010	.750	V	*415489V	41
9.500	9.508	.625	S	*417601	41	10.000	10.010	.750	S	*455489	45
9.500	9.508	.860	S	*3624	#	10.000	10.010	.750	H	*455489H	45
9.500	9.510	.750	S	*415300	41	10.500	10.508	.625	S	*417604	41
9.500	9.510	.750	N	*415300N	41	10.500	10.510	.750	S	*455126	45
9.500	9.510	.750	S	*455300	45	10.500	10.510	.750	H	*455126H	45
10.000	10.008	.625	S	*417602	41	10.625	10.633	.750	S	*416394	41
10.000	10.008	.625	N	*417602N	41	8.625" (8-5/8") SHAFT					
10.000	10.008	.750	S	*415122	41	-	-	-	S	802200	VRS1
10.000	10.008	.750	S	*455122	45	9.778	9.786	.625	S	*256616	25
10.000	10.008	1.145	S	*396440	#	10.625	10.635	.750	S	*417567	41
10.125	10.133	.750	S	415052	41						
11.624	11.632	.750	S	7131	#						

SIZE SECTION

For Illustration and Material Data See Technical Section

Designed For A Specific Application - Not Recommended For General Use

* The U.S. customer service number is 877-4-TIMKEN. The Canadian customer service numbers are 800-565-4927 (English) and 800-565-0438 (French-Canadian). ★ Metric Seal

Hsg. Bore	Seal O.D.	Seal Width	Lip Mat'l	Part No.	Type/ Illus.	Hsg. Bore	Seal O.D.	Seal Width	Lip Mat'l	Part No.	Type/ Illus.
220,00mm (8.661") SHAFT						233,00mm (9.173") SHAFT (cont.)					
—	—	—	S	802200	VRS1	272,00	272,26	15,88	V	*3689★	#
250,00	250,20	15,00	V	*220X250X15V★	35	10.709	10.719	.625			
9.843	9.850	.591				9.250" (9-1/4") SHAFT					
250,00	250,35	15,00	S	220X250X15★	32	—	—	—	S	802200	VRS1
9.843	9.856	.591				—	—	—	S	802500	VRS1
254,67	255,00	16,00	S	*220X255X16★	32	—	—	—	S	802502	VRS3
10.026	10.039	.630				10.250	10.258	.500	N	337426N	33
259,67	260,00	14,00	S	*220X260X14★	32	11.000	11.008	.750	S	416257	41
10.223	10.236	.551				11.000	11.008	.750	H	*416257H	41
259,67	260,00	16,00	S	*220X260X16★	32	11.250	11.260	.750	S	415219	41
10.223	10.236	.630				11.250	11.260	.750	N	*415219N	41
260,00	260,20	15,00	S	*220X260X15★	32	11.500	11.508	.750	S	*416798	41
10.236	10.244	.591				12.750	12.758	1.125	S	*8996S	70
222,00mm (8.740") SHAFT						9.375" (9-3/8") SHAFT					
244,67	245,00	13,00	S	*222X245X13★	32	—	—	—	S	802500	VRS1
9.633	9.646	.512				—	—	—	S	802502	VRS3
8.750" (8-3/4") SHAFT						11.273	11.273	.825	S	*3503%	#
—	—	—	S	802200	VRS1	11.375	11.385	.750	S	415871	41
10.250	10.260	.688	S	*486642	48	11.375	11.385	.750	H	*415871H	41
10.250	10.260	.688	H	*486642H	48	11.375	11.385	.750	S	*455871	45
10.500	10.510	.750	S	455966	45	11.375	11.385	.750	N	*455871N	45
10.750	10.758	.750	S	415128	41	11.375	11.385	.750	V	*455871V	45
10.750	10.758	.750	S	*455128	45	12.750	12.758	1.250	S	*417018	41
8.875" (8-7/8") SHAFT						9.437" (9-7/16") SHAFT					
—	—	—	S	802200	VRS1	—	—	—	S	802500	VRS1
10.122	10.130	.750	S	416657	41	—	—	—	S	802502	VRS3
10.125	10.130	.750	S	*455930	45	10.630	10.640	.750	S	*455596	45
10.875	10.885	.750	S	455129	45	10.630	10.640	.750	H	*455596H	45
9.000" SHAFT						240,00mm (9.449") SHAFT					
—	—	—	S	802200	VRS1	—	—	—	S	802500	VRS1
10.000	10.010	.750	S	55301S	45	—	—	—	S	802502	VRS3
10.000	10.010	.750	S	455301	45	270,00	270,35	15,00	S	240X270X15★	35
10.088	10.095	.625	S	417940	41	10.630	10.644	.591			
10.250	10.260	.750	S	455476	45	270,00	270,35	16,00	S	*240X270X16★	35
10.375	10.384	.625	S	456462	45	10.630	10.644	.630			
10.376	10.384	.625	S	2791	33	279,67	280,00	18,00	S	*240X280X18★	32
10.500	10.510	.750	S	455462	45	11.011	11.024	.709			
11.000	11.008	.750	S	415090	41	279,67	280,00	20,00	S	*240X280X20★	32
11.000	11.008	.750	S	*455090	45	11.011	11.024	.787			
9.052" SHAFT						280,00	280,20	16,00	S	240X280X16★	32
—	—	—	S	802200	VRS1	11.024	11.031	.630			
10.709	10.720	.625	T	39893◀	FW-H	9.466" SHAFT					
10.709	10.720	.625	T	39894▶	FW-H	—	—	—	S	802500	VRS1
230,00mm (9.055") SHAFT						—	—	—	S	802502	VRS3
—	—	—	S	802200	VRS1	10.875	10.891	.375	S	710800	230
260,00	260,35	15,00	S	230X260X15★	35	9.477" SHAFT					
10.236	10.250	.591				—	—	—	S	802500	VRS1
9.086" SHAFT						—	—	—	S	802502	VRS3
—	—	—	S	802200	VRS1	11.375	11.383	.750	S	*3502	45
11.004	11.016	.371	S	*9843	#	9.500" (9-1/2") SHAFT					
9.125" (9-1/8") SHAFT						—	—	—	S	802500	VRS1
—	—	—	S	802200	VRS1	—	—	—	S	802502	VRS3
10.377	10.384	.625	S	*415352	41	11.500	11.508	.625	S	417606	41
233,00mm (9.173") SHAFT						11.500	11.508	.625	V	*417606V	41
—	—	—	S	802200	VRS1	11.500	11.510	.750	S	*417374	41
						12.499	12.509	.687	S	9555S	41

For Illustration and Material Data See Technical Section

Designed For A Specific Application - Not Recommended For General Use ▶ Hydrodynamic Lip Design-CW ◀ Hydrodynamic Lip Design-CCW % External Bore

* The U.S. customer service number is 877-4-TIMKEN. The Canadian customer service numbers are 800-565-4927 (English) and 800-565-0438 (French-Canadian). ★ Metric Seal

Size Section

Hsg. Bore	Seal O.D.	Seal Width	Lip Mat'l	Part No.	Type/ Illus.	Hsg. Bore	Seal O.D.	Seal Width	Lip Mat'l	Part No.	Type/ Illus.
9.620" SHAFT						10.500" (10-1/2") SHAFT (cont.)					
-	-	-	S	802500	VRS1	12.500	12.508	1.234	S	* 7564	39
-	-	-	S	802502	VRS3	13.375	13.383	.750	S	* 417607	41
12.750	12.758	1.250	V	* 416381V	41	13.375	13.383	1.250	S	* 417116	41
9.625" (9-5/8") SHAFT						10.625" (10-5/8") SHAFT					
-	-	-	S	802500	VRS1	-	-	-	S	802750	VRS1
-	-	-	S	802502	VRS3	-	-	-	S	802752	VRS3
12.750	12.758	1.250	S	416381	41	12.500	12.508	.625	S	* 417641	41
9.750" (9-3/4") SHAFT						13.000	13.008	.750	S	* 416100	41
-	-	-	S	802500	VRS1	270,00mm (10.630") SHAFT					
-	-	-	S	802502	VRS3	-	-	-	S	802750	VRS1
11.250	11.260	.750	S	55078S	5S	-	-	-	S	802752	VRS3
250,00mm (9.843") SHAFT						12.000	12.812	.371	S	* 9063	#
-	-	-	S	802500	VRS1	<i>310,00</i>	<i>310,45</i>	<i>16,00</i>	S	* 270X310X16★	35
-	-	-	S	802502	VRS3	12.205	12.222	.630			
<i>280,00</i>	<i>280,35</i>	<i>15,00</i>	S	* 250X280X15★	35	10.750" (10-3/4") SHAFT					
11.024	11.037	.591				-	-	-	S	802750	VRS1
<i>289,67</i>	<i>290,00</i>	<i>15,00</i>	S	* 250X290X15★	32	-	-	-	S	802752	VRS3
11.404	11.417	.591				13.374	13.381	1.250	S	416383	41
9.910" SHAFT						10.820" SHAFT					
-	-	-	S	802500	VRS1	-	-	-	S	802750	VRS1
-	-	-	S	802502	VRS3	-	-	-	S	802752	VRS3
10.995	11.005	.625	S	417939	41	12.000	12.015	.590	S	* 4766S	#
10.997	11.005	.625	S	2792	33	11.000" SHAFT					
10.997	11.005	.625	S	456464	45	-	-	-	S	802750	VRS1
10.000" SHAFT						-	-	-	S	802752	VRS3
-	-	-	S	802500	VRS1	12.500	12.510	.625	S	417571	41
-	-	-	S	802502	VRS3	12.500	12.514	1.250	S	* 476262	47
11.000	11.008	.625	S	417605	41	12.500	12.514	1.250	N	* 476262N	47
11.000	11.010	.750	S	* 415270	41	13.000	13.010	.750	S	415482	41
11.000	11.010	.750	S	* 455270	45	11.006" SHAFT					
11.000	11.010	.750	N	* 455270N	45	-	-	-	S	802750	VRS1
11.000	11.010	.750	V	* 455270V	45	-	-	-	S	802752	VRS3
11.250	11.260	.750	S	* 456483	45	12.875	12.891	.625	S	710925	230
11.500	11.508	.750	V	457096V	45	280,00mm (11.024") SHAFT					
12.000	12.008	.625	S	417020	41	-	-	-	S	802750	VRS1
260,00mm (10.236") SHAFT						-	-	-	S	802752	VRS3
-	-	-	S	802500	VRS1	<i>320,00</i>	<i>320,45</i>	<i>20,00</i>	S	* 280X320X20★	32
-	-	-	S	802502	VRS3	12.598	12.616	.787			
<i>289,67</i>	<i>290,00</i>	<i>15,00</i>	S	* 260X290X15★	32	11.220" SHAFT					
11.404	11.417	.591				-	-	-	S	802750	VRS1
<i>300,00</i>	<i>300,45</i>	<i>20,00</i>	S	* 260X300X20★	32	-	-	-	S	802752	VRS3
11.811	11.829	.787				12.250	12.260	.945	T	39899◀	#
10.250" (10-1/4") SHAFT						12.250	12.260	.945	T	39900▶	#
-	-	-	S	802500	VRS1	285,00mm (11.220") SHAFT					
-	-	-	S	802502	VRS3	<i>319,67</i>	<i>320,00</i>	<i>20,00</i>	S	* 285X320X20★	32
12.250	12.260	.750	S	417570	41	12.585	12.598	.787			
265,00mm (10.433") SHAFT						290,00mm (11.417") SHAFT					
<i>289,67</i>	<i>290,00</i>	<i>16,00</i>	S	* 265X290X16★	32	<i>329,67</i>	<i>330,00</i>	<i>18,00</i>	S	* 290X330X18★	32
11.404	11.417	.630				12.979	12.992	.709			
10.500" (10-1/2") SHAFT						11.500" (11-1/2") SHAFT					
-	-	-	S	802750	VRS1	-	-	-	S	803000	VRS1
-	-	-	S	802752	VRS3	-	-	-	S	803002	VRS3
12.000	12.008	.625	S	457997	45						
12.500	12.508	.625	S	* 417756	41						
12.500	12.508	1.000	S	415227	41						
12.500	12.508	1.000	V	* 415227V	41						

For Illustration and Material Data See Technical Section

Designed For A Specific Application - Not Recommended For General Use ▶ Hydrodynamic Lip Design-CW ◀ Hydrodynamic Lip Design-CCW

* The U.S. customer service number is 877-4-TIMKEN. The Canadian customer service numbers are 800-565-4927 (English) and 800-565-0438 (French-Canadian). ★ Metric Seal

Hsg. Bore	Seal O.D.	Seal Width	Lip Mat'l	Part No.	Type/ Illus.	Hsg. Bore	Seal O.D.	Seal Width	Lip Mat'l	Part No.	Type/ Illus.
11.500" (11-1/2") SHAFT (cont.)						16.250" SHAFT (cont.)					
12.495	12.535	.250	S	*7387	#	18.000	18.010	.750	S	*4273	#
13.000	13.010	.750	S	415077	41	18.000	18.010	.750	S	55103S	45
13.500	13.508	.750	S	415076	41						
13.500	13.508	.750	V	*415076V	41						
11.586" SHAFT											
-	-	-	S	803000	VRS1						
-	-	-	S	803002	VRS3						
13.687	13.703	.562	S	711000	230						
300,00mm (11.811") SHAFT											
-	-	-	S	803000	VRS1						
-	-	-	S	803002	VRS3						
<i>340,00</i>	<i>340,45</i>	<i>20,00</i>	S	300X340X20★	32						
13.386	13.404	.787									
12.000" SHAFT											
-	-	-	S	803000	VRS1						
-	-	-	S	803002	VRS3						
13.500	13.508	.750	S	*457704	45						
14.000	14.010	.750	S	417608	41						
14.000	14.010	1.000	S	*7972S	45						
320,00mm (12.598") SHAFT											
-	-	-	V	803254	VRS1						
<i>360,00</i>	<i>360,45</i>	<i>20,00</i>	S	*320X360X20★	32						
14.173	14.191	.787									
12.750" (12-3/4") SHAFT											
-	-	-	V	803254	VRS1						
13.625	13.635	.562	S	*325940	32						
13.000" SHAFT											
-	-	-	V	803254	VRS1						
15.000	15.008	.750	S	*415648	41						
340,00mm (13.386") SHAFT											
-	-	-	S	803502	VRS3						
<i>380,00</i>	<i>380,45</i>	<i>20,00</i>	S	*340X380X20★	32						
14.961	14.978	.787									
13.797" SHAFT											
-	-	-	S	803502	VRS3						
15.500	15.516	.437	S	711200	230						
360,00mm (14.173") SHAFT											
-	-	-	S	803502	VRS3						
<i>400,00</i>	<i>400,45</i>	<i>20,00</i>	S	*360X400X20★	32						
15.748	15.766	.787									
380,00mm (14.961") SHAFT											
-	-	-	S	803750	VRS1						
<i>420,00</i>	<i>420,45</i>	<i>20,00</i>	S	*380X420X20★	32						
16.535	16.553	.787									
400,00mm (15.748") SHAFT											
-	-	-	S	804000	VRS1						
<i>440,00</i>	<i>440,45</i>	<i>20,00</i>	S	*400X440X20★	32						
17.323	17.341	.787									
16.250" SHAFT											
-	-	-	S	804000	VRS1						

For Illustration and Material Data See Technical Section

Designed For A Specific Application - Not Recommended For General Use

* The U.S. customer service number is 877-4-TIMKEN. The Canadian customer service numbers are 800-565-4927 (English) and 800-565-0438 (French-Canadian). ★ Metric Seal

PLAIN ROUND FELTS

Shaft	O.D.	Width	Lip Mat'l	Part No.	Shaft	O.D.	Width	Lip Mat'l	Part No.
.938	1.500	.375	F	5MR1300	2.500	3.438	.313	F	5M89
1.750	2.438	.313	F	5M445	2.813	3.563	.313	F	5M559
1.938	2.875	.375	F	5M81	2.937	3.812	.313	F	5MR1009
1.938	3.000	.375	F	5M293	3.250	4.063	.313	F	5M643
2.000	2.750	.438	F	5M289	3.344	3.875	.281	F	5MR1301
2.000	3.125	.375	F	5M356	4.875	5.625	.375	F	5M544
2.000	3.125	.500	F	5M403	6.438	7.563	.500	F	5M466

For Illustration and Material Data see Technical Section

SIZE SECTION

SEAL KITS

Kit Dimensions				Seal Dimensions							Remarks	
Shaft	O.D.	Width	Bolt Holes Kit No.	Type/ Illus.	Seal No.	Type/ Lip Illus. Mat'l	Shaft	O.D.	Bolt Holes	Width		
-	-	-	-	5068	#	-	-	-	-	-	-	(Split Seal)
-	-	-	-	5073	#	-	-	-	-	-	-	Contains (2) G753 Gasket
-	-	-	-	5106	#	-	-	-	-	-	-	Split Seal
-	-	-	-	5111	#	-	-	-	-	-	-	(Split Seal)
-	-	-	-	5112	#	-	-	-	-	-	-	(Split Seal)
-	-	-	-	5118	#	-	-	-	-	-	-	(Split Seal)
-	-	-	-	5682	#	-	-	-	-	-	-	-
-	-	-	-	5685	35	-	-	-	-	-	-	-
-	-	-	-	5686	35	-	-	-	-	-	-	(Kit)
-	-	-	-	5690	*	-	-	-	-	-	-	(Repair Kit)
-	-	-	-	5694	35	•1884	32 S	2.047	2.688	-	.394	(Kit)
-	-	-	-			•4899	66 S	2.205	2.958	-	.256	
-	-	-	-			722111	-	-	-	-	-	
-	-	-	-	5700	35	-	-	-	-	-	-	(Kit)
-	3.030	.325	-	5092	#	-	-	-	-	-	-	(Split Seal)
-	4.000	.187	-	5116	#	-	-	-	-	-	-	(Split Seal)
-	4.200	.222	-	5108	#	-	-	-	-	-	-	(Split Seal)
-	4.862	.410	-	*5479	#	-	-	-	-	-	-	Contains (2) • G196 Gasket & (2) • G214 Gasket
-	4.875	.410	-	5596	#	-	-	-	-	-	-	Contains (2) • G196 Gasket & (2) • G456 Gasket
-	4.875	.455	-	5476	#	-	-	-	-	-	-	Contains (2) • G211 Gasket
-	5.625	.430	-	5414	#	-	-	-	-	-	-	Contains (2) • G129 Gasket & • G130 Gasket & • G131 Gasket
-	5.700	.415	-	*5576	#	-	-	-	-	-	-	Contains (2) • G427 Gasket
-	5.700	.415	-	5650	#	-	-	-	-	-	-	-
-	6.240	.400	-	5591	#	-	-	-	-	-	-	Contains (2) • G462 Gasket & (2) • G463 Gasket
-	6.600	.430	-	5390	#	-	-	-	-	-	-	Contains (2) • G214 Gasket & (2) • G594 Gasket
-	6.906	.440	-	5419	#	-	-	-	-	-	-	Contains (2) • G137 Gasket
1.062	1.507	.250	-	5346	34	•340210	34 S	1.062	1.507	-	.250	Contains (2) • 666215 'O' Ring & • 666232 'O' Ring & • 666334 'O' Ring
1.062	2.129	.625	-	5168	41	•413293	41 S	1.187	2.129	-	.375	Contains • JV1872 Wear Sleeve
1.172	1.832	.422	-	5462	33	•6370N	33 N	1.299	1.832	-	.375	Contains • J712 Wear Sleeve
1.250	1.756	-	-	PSK-1	A	SR2	-	-	-	-	-	(Kit)
					(2)	SW2	-	-	-	-	-	
						5683++	32 S	1.250	1.756	-	.300	
						5684++	32 S	1.250	1.756	-	.399	
1.250	2.254	.750	-	5166	41	•410169	41 S	1.375	2.254	-	.500	Contains • JV1873 Wear Sleeve
1.376	2.254	1.370	-	5204	#	•7495S	61 S	1.375	2.254	-	.713	Contains • RP 691 Bushing (Seal & Bushing Kit)
1.438	2.192	.480	-	5550	47	•9249	47 S	1.437	2.192	-	.480	Contains • 623017 'O' Ring
1.493	2.507	.700	-	5592	39	•8097%	39 S	1.476	2.447	-	.620	Contains • JV970 Wear Sleeve
1.500	2.378	1.500	-	5201	41	•470059	47 S	1.500	2.378	-	.500	Contains • RP 605 Bushing (Seal & Bushing Kit)

Designed For A Specific Application - Not Recommended For General Use ++ Not Sold Separately % External Bore

* The U.S. customer service number is 877-4-TIMKEN. The Canadian customer service numbers are 800-565-4927 (English) and 800-565-0438 (French-Canadian).

• Sold Separately

Kit Dimensions				Type/		Seal Dimensions		Bolt				Remarks
Shaft	O.D.	Width	Bolt Holes	Kit No.	Illus.	Seal No.	Type/ Lip Illus. Mat'l	Shaft	O.D.	Holes	Width	
1.500	2.378	1.500	—	5202	#	•7692S◄	79 S	1.500	2.376	—	1.458	Contains• RP 605 Bushing (Seal & Bushing Kit)
1.500	2.570	.550	—	5071	200	•200861%	200E S	1.500	2.482	—	.290	Contains• JV933 Wear Sleeve
1.502	2.381	.940	—	5200	#	•9613S◄	71 S	1.500	2.381	—	.470	Contains• RP 356 Bushing (Seal & Bushing Kit)
1.562	2.506	.500	—	5331	45	•450185	45 S	1.562	2.506	—	.500	Contains• G199 Gasket
1.566	2.515	1.370	—	5207	#	•8935S&	79 S	1.558	2.254	—	1.520	Contains• RP 553 Bushing (Seal & Bushing Kit)
1.688	2.687	1.240	—	5205	41	•7038SA◄	41 S	1.687	2.506	—	.582	Contains RP 717 Bushing (Seal & Bushing Kit)
1.688	2.850	2.120	—	5206	#	•7300S◄	79 N	1.685	2.506	—	1.250	Contains• RP 546 Bushing (Seal & Bushing Kit)
1.689	2.850	2.120	—	5203	#	•7300S◄	79 N	1.685	2.506	—	1.250	Contains• RP 661 Bushing (Seal & Bushing Kit)
1.750	3.376	.667	—	5302	39	•8398	39 S	1.937	3.376	—	.667	Contains• K259 Wiper
1.763	2.416	.563	—	5000	35	—	—	—	—	—	—	—
1.766	3.005	.875	—	5364	45	•451139	45 S	1.875	3.005	—	.375	Contains• JX825 Wear Sleeve
1.812	2.879	.718	—	5531	41	•410295	41 S	1.937	2.879	—	.468	Contains• JV1464 Wear Sleeve
1.875	2.565	.563	—	5001	35	—	—	—	—	—	—	—
1.875	2.627	.843	—	5599	47	•470455	47 S	1.937	2.627	—	.500	Contains• J990 Wear Sleeve
1.875	2.690	.625	—	5388	45	450360	45 S	2.000	2.690	—	.500	Contains• J1107 Wear Sleeve
1.875	2.762	.500	—	5336	41	•410283	41 S	1.875	2.762	—	.500	Contains• G736 Gasket
1.875	2.808	.433	—	5699	#	4310	285 S	1.875	2.808	—	.433	Contains• AS232 'O' Ring
1.875	3.130	.625	—	5361	45	•450310N	45 N	2.000	3.130	—	.500	Contains• J1107 Wear Sleeve
1.875	3.150	.315	—	5697	#	4051	# S	1.875	2.907	—	.315	Contains• AS232 'O' Ring
1.875	4.812	.312	12	5594	#	•7105S	# S	1.875	4.812	12	.312	Contains (2) • G196 Gasket & (2) • G456 Gasket
1.880	2.414	.250	—	5458	35	•6910S	35 S	1.880	2.414	—	.250	Contains• 610101 'O' Ring
1.887	1.998	1.000	—	5208	#	•9449◄	74 S	1.890	2.704	—	.582	Contains RP775 Bushing (Seal & Bushing Kit)
1.915	2.548	.250	—	5499	#	•7020	# S	1.915	2.548	—	.250	Contains• 610105 'O' Ring
1.915	2.548	.250	—	5573	#	•7020	# S	1.915	2.548	—	.250	Contains• 610145 'O' Ring
2.000	3.376	.625	—	5161	41	•410972	41 S	2.125	3.376	—	.468	Contains• J1109 Wear Sleeve &• JV1837 Wear Sleeve
2.000	3.376	.625	—	5188	41	•410972N	41 N	2.125	3.376	—	.468	Contains• J1109 Wear Sleeve &• JV1837 Wear Sleeve
2.000	4.562	.562	7	5329	#	6465B++	# F	2.000	4.562	7	.562	Contains (2) G33 Gasket
2.000	4.562	.562	7	5330	#	•6469	# F	2.000	4.562	7	.562	Contains (2) • G34 Gasket
2.000	5.880	.448	8	5487	#	—	—	—	—	—	—	Contains (2) • G221 Gasket &• K251 Wiper
2.000	5.880	.458	8	* 5172	50	•6959	# S	2.375	5.880	8	.331	Contains• K251 Wiper &• G895A Gasket
2.010	2.965	.318	—	5695	#	•SK1++	# S	2.030	2.601	—	.295	Contains• SK3 Wear Sleeve (Kit)
2.047	2.964	.315	—	5696	35	•SK2++	# S	2.010	2.876	—	.318	—
						•1993	47 S	2.205	2.885	—	.492	(Kit)
						•4898	66 S	2.047	2.603	—	.295	—
						722110	—	—	—	—	—	—
2.120	3.505	.750	—	5521	41	•415093	41 S	2.250	3.505	—	.500	Contains• JV1456 Wear Sleeve
2.121	3.350	.500	—	5397	#	•9434%	46 S	2.121	3.296	—	.460	—
						•482435	48 S	2.172	3.350	—	.500	—
2.125	3.072	.433	—	5604	A	•3948	# S	2.201	2.741	—	.197	Contains• JV2019 Wear Sleeve
2.129	2.766	.250	—	5488	48	•6957	48 N	2.129	2.766	—	.250	Contains• 610123 'O' Ring
2.129	2.766	.250	—	5589	48	•6957	48 N	2.129	2.766	—	.250	Contains• 666151 'O' Ring
2.187	3.194	.437	—	5332	45	450354	45 S	2.187	3.194	—	.437	Contains• G25 Gasket
2.250	3.256	.625	—	5160	41	•412038	41 S	2.375	3.256	—	.437	Contains• J1113 Wear Sleeve &• JV1836 Wear Sleeve
2.250	3.256	.625	—	5189	41	•412038N	41 N	2.375	3.256	—	.437	Contains• J1113 Wear Sleeve &• JV1836 Wear Sleeve
2.340	3.355	.650	—	5666	#	•3501V	69 V	2.420	3.355	—	.375	Contains• JX1966 Wear Sleeve
2.375	3.433	1.000	—	5602	47	•473274N	47 N	2.500	3.433	—	.375	Contains• JV1802 Wear Sleeve
2.375	4.943	1.000	—	5603	47	•3136N◄➡	47 N	2.500	4.943	—	.500	Contains• JV1802 Wear Sleeve
2.377	3.505	.937	—	5066	48	•3894V	48 V	2.500	3.505	—	.500	Contains• JX1920 Wear Sleeve Seal & Sleeve
2.420	3.558	.336	—	5698	#	4185	# S	2.420	3.558	—	.336	Contains• AS043 'O' Ring
2.430	3.031	.380	—	5567	#	—	—	—	—	—	—	—
2.432	3.756	.750	—	* 5520	41	•415244	41 S	2.562	3.756	—	.500	Contains• JV1455 Wear Sleeve
2.496	3.758	.625	—	5045	200	•200851%	200E S	2.496	3.772	—	.315	Contains• JV1582 Wear Sleeve
2.500	6.125	.435	8	5401	50	•7512S	51 S	2.500	6.125	8	.400	Contains (2) • G41 Gasket &• G43 Gasket &• JV1304 Wear Sleeve
2.531	6.125	.500	—	5384	#	•7154S	# S	2.531	6.125	—	.500	Contains• G41 Gasket
2.562	8.250	1.003	8	5406	51	•6481N	—	—	—	—	—	Contains• G40 Gasket &• K282 Wiper
2.625	3.480	.380	—	5072	#	—	—	—	—	—	—	—
2.625	3.755	.625	—	5147	200	•200919%	200E S	2.625	3.960	—	.320	Contains• JV1517 Wear Sleeve
2.750	3.881	1.000	—	5584	41	•415479N	41 N	3.000	3.881	—	.468	Contains• K198 Wiper
2.812	4.504	1.000	—	5399	41	•415356	41 S	2.937	4.504	—	.468	Contains• JV1427 Wear Sleeve
2.835	3.425	.230	—	5163	#	—	—	—	—	—	—	—

Designed For A Specific Application - Not Recommended For General Use ◄ Hydrodynamic Lip Design-CCW ◄➡ Hydrodynamic Lip Design-Bidirectional

++ Not Sold Separately % External Bore & Flanged O.D.

* The U.S. customer service number is 877-4-TIMKEN. The Canadian customer service numbers are 800-565-4927 (English) and 800-565-0438 (French-Canadian).

• Sold Separately

Size Section—Kits

Kit Dimensions				Seal Dimensions								Remarks
Shaft	O.D.	Bolt Width Holes	Kit No.	Type/ Illus.	Seal No.	Type/ Lip Illus. Mat'l	Shaft	O.D.	Bolt Holes	Width		
2.860	6.562	.571	12 5403	50	•6479	# S	2.860	6.460	12	.520	Contains• J493 Wear Sleeve	
2.875	3.756	.625	— 5601	47	•476023N	47 N	3.000	3.756	—	.375	Contains• JV1120 Wear Sleeve	
2.988	3.740	1.165	— 5290	#	—	—	—	—	—	—	—	
2.991	3.637	.385	— 5273	FW-H	•100202T◀	FW-H T	2.991	3.637	—	.385	(Teflon®)	
3.000	4.008	.625	— 5629	45	•457034	45 V	3.125	4.008	—	.500	Contains• J1121 Wear Sleeve	
3.000	4.008	.687	— 5657	45	•457034	45 V	3.125	4.008	—	.500	Contains• JX1747 Wear Sleeve	
3.000	8.250	.531	15 5452	50	6764S	# S	3.125	8.250	15	.500	Contains• G48 Gasket &• G167 Gasket &• J495 Wear Sleeve	
3.010	8.150	.925	8 5494	#	•6897	# S	3.125	8.250	8	.925	Contains (2) • G40 Gasket &• K156 Wiper	
3.010	8.250	.571	10 5015	#	•8369S	# S	3.125	—	—	.571	Contains• G48 Gasket &• JV495 Wear Sleeve & (2) • G523 Gasket	
3.010	8.250	.571	10 5313	#	•8369S	# S	3.125	—	—	.571	Contains• K282 Wiper & (2) • G523 Gasket	
3.110	5.750	.375	8 5079	51	•7896S	51 S	3.110	5.750	8	.375	—	
3.112	4.633	.920	— 5100	#	•9583◀➔	# S	3.250	4.633	—	.706	Contains• JV1508 Wear Sleeve	
3.119	4.130	.750	— 5509	25	•255566H	25 H	3.250	4.130	—	.500	Contains• J1401 Wear Sleeve	
3.119	4.756	.875	— 5518	41	—	—	—	—	—	—	—	
3.124	8.250	.518	8 5408	50	•6477S	# S	3.226	8.250	8	.518	Contains (2) • G40 Gasket &• G42 Gasket &• J873 Wear Sleeve	
3.125	4.130	.625	— 5120	41	•415566N	41 N	3.250	4.130	—	.562	Contains• J1122 Wear Sleeve	
3.125	4.130	1.000	— 5578	48	•485500N	48 N	3.298	4.130	—	.562	Contains• K179 Wiper	
3.125	7.500	.625	12 5405	50	•6480	# S	3.125	7.500	12	.531	Contains• G49 Gasket &• K282 Wiper	
3.125	8.125	.571	7 5410	50	•6505S	# S	3.125	8.125	7	.571	Contains• G48 Gasket & (2) • G54 Gasket &• JV495 Wear Sleeve	
3.125	8.250	.571	8 5185	51	—	—	—	—	—	—	—	
3.250	4.008	.866	— 5609	5S	—	—	—	—	—	—	—	
3.250	4.254	.625	— 5373	A	•416294N	41 N	3.375	4.254	—	.500	Contains• J1123 Wear Sleeve	
3.250	4.254	.625	— 5382	41	•415613	41 S	3.375	4.254	—	.625	Contains• J1123 Wear Sleeve	
3.250	4.254	.750	— 5169	47	•476028	47 S	3.375	4.254	—	.468	Contains• JV1875 Wear Sleeve	
3.250	4.572	.750	— 5593	200	•200870%	200E S	3.249	4.488	—	.318	Contains• JV980 Wear Sleeve	
3.250	5.004	.625	— 5381	41	•415025	41 S	3.375	5.004	—	.468	Contains• J1123 Wear Sleeve	
3.375	4.380	.812	— 5588	39	•8130%	# S	3.375	4.380	—	.730	Contains• JV976 Wear Sleeve	
3.438	4.012	.410	— 5095	#	—	—	—	—	—	—	(Rope Type)	
3.438	4.313	.188	— 5117	#	—	—	—	—	—	—	(Split Seal)	
3.465	4.266	.437	— 5287	FW-H	•100239T◀	FW-H T	3.465	4.266	—	.437	Contains 732079 Gasket &• 733419 Gasket & 734280 Gasket (Teflon®)	
3.500	5.256	.718	— *5551	41	•416335	41 S	3.625	5.256	—	.468	Contains• JV1494 Wear Sleeve	
3.500	6.625	.531	— 5327	#	•6245S	# S	3.500	6.625	12	.531	Contains (2) • G35 Gasket	
3.562	4.630	.700	— 5347	#	•8480	# S	3.557	4.530	—	.320	Contains• JV1170 Wear Sleeve	
3.562	5.125	.875	— 5649	#	•9584&	74 S	3.562	4.761	—	.550	Contains• JV1509 Wear Sleeve	
3.562	5.256	.468	— 5532	41	•416670	41 S	3.687	5.256	—	.468	Contains• JV1469 Wear Sleeve	
3.583	4.375	.394	— 5279	FW-H	•100052T◀	FW-H T	3.583	4.375	—	.394	Contains 731414 Gasket (Teflon®)	
3.625	4.256	.390	— 5277	FW-H	•100204T◀	FW-H T	3.625	4.256	—	.390	(Teflon®)	
3.625	4.756	.875	— 5167	47	•475379	47 S	3.750	4.756	—	.500	Contains• JV1874 Wear Sleeve	
3.625	4.879	.585	— 5453	48	•485497	48 S	3.625	4.879	—	.585	Contains• 633013 'O' Ring Kit	
3.740	4.540	.492	— 5274	FW-H	•100203T◀	FW-H T	3.740	4.540	—	.492	Contains 733215 Gasket (Teflon®)	
3.750	4.506	.362	— 5278	FW-H	•100205T◀	FW-H T	3.750	4.506	—	.362	(Teflon®)	
3.750	4.756	.625	— 5084	#	—	—	—	—	—	—	—	
3.865	6.102	.975	— 5667	#	•4269	74 S	4.000	5.700	—	.850	Contains• J2058 Wear Sleeve	
3.868	5.506	.921	— 5475	25	•6864S	45 S	4.050	5.506	—	.671	Contains• J718 Wear Sleeve	
3.930	5.381	.875	— 5028	#	•9586	# S	4.062	5.378	—	.627	Contains• JV1511A Wear Sleeve	
3.937	5.506	.859	— 5465	45	•455037	45 S	4.062	5.506	—	.562	Contains• JV1362 Wear Sleeve	
3.937	5.506	.859	— 5563	25	•6864S	45 S	4.050	5.506	—	.671	Contains• JV1362 Wear Sleeve	
3.937	5.509	.597	— 5089	#	•2155◀➔	# S	4.062	5.509	—	.597	Contains• JV1511 Wear Sleeve	
3.937	5.678	.875	— 5076	#	•9586	# S	4.062	5.378	—	.627	Contains• JV1511 Wear Sleeve	
3.994	5.004	.718	— 5526	41	•415134	41 S	4.125	5.004	—	.468	Contains• JV1461 Wear Sleeve	
3.994	5.005	.625	— 5065	45	•455134H	45 H	4.125	5.005	—	.468	Contains• J1129 Wear Sleeve	
4.000	5.004	.625	— 5376	41	•415134N	41 N	4.125	5.004	—	.468	Contains• J1129 Wear Sleeve	
4.000	5.004	.937	— 5581	#	•7390%	# S	4.000	4.906	—	.821	Contains• JV943 Wear Sleeve	
4.062	5.506	.875	— 5170	41	•415039	41 S	4.187	5.506	—	.562	Contains• JV1473 Wear Sleeve	
4.062	6.000	.875	— 5537	41	•416673	41 S	4.187	6.007	—	.625	Contains• JV1473 Wear Sleeve	
4.375	6.259	.843	— 5077	#	•9587&	# S	4.500	6.257	—	.820	Contains• JV1512 Wear Sleeve	
4.500	6.259	.862	— 5075	#	•9588&	# S	4.625	6.257	—	.550	Contains• JV1513 Wear Sleeve	
4.642	5.756	.750	— 5008	45	•455053	45 S	4.750	5.757	—	.562	Contains• JX847 Wear Sleeve	
4.646	5.756	.625	— 5625	48	•485138	48 S	4.750	5.756	—	.500	Contains• JX1386 Wear Sleeve	
4.687	5.756	1.562	— 5460	45	•455251H	45 H	4.812	5.756	—	.562	Contains• JV729 Wear Sleeve	
4.687	5.756	1.562	— 5461	7S	•75251S	7S S	4.812	5.756	—	.750	Contains• J729 Wear Sleeve	
4.687	7.635	.359	— 5575	#	•6701	# S	4.740	7.575	6	.410	Contains JV608 Wear Sleeve	
4.743	6.256	.812	— 5527	41	415068	41 S	4.875	6.256	—	.562	Contains• JV1462 Wear Sleeve	
4.750	6.006	.750	— *5010	47	•476621H	47 H	4.875	6.006	—	.562	Contains• J1135 Wear Sleeve	
4.750	6.256	.750	— 5377	A	•415068N	41 N	4.875	6.256	—	.562	Contains• J1135 Wear Sleeve	
4.759	6.316	1.250	— 5481	47	•6872S	47 S	5.500	6.316	—	1.250	Contains• JV753 Wear Sleeve	
4.759	6.505	1.125	— 5483	43	•6873S	43 S	5.500	6.505	—	1.125	Contains• JV753 Wear Sleeve	
4.759	7.004	1.250	— 5495	43	•7006S	43 S	5.500	7.004	—	1.250	Contains• JV753 Wear Sleeve	
4.812	6.316	1.250	— 5471	47	•6872S	47 S	5.500	6.316	—	1.250	Contains• JV701 Wear Sleeve	

Designed For A Specific Application - Not Recommended For General Use ◀ Hydrodynamic Lip Design-CCW ▶ Hydrodynamic Lip Design-Bidirectional % External Bore & Flanged O.D. * The U.S. customer service number is 877-4-TIMKEN. The Canadian customer service numbers are 800-565-4927 (English) and 800-565-0438 (French-Canadian).
• Sold Separately

Shaft	O.D.	Kit Dimensions			Type/ Illus.	Seal No.	Seal Dimensions		Shaft	O.D.	Bolt Holes	Width	Remarks
		Width	Bolt Holes	Kit No.			Type/ Illus.	Lip Mat'l					
4.812	6.505	1.125	—	5473	43	•6873S	43	S	5.500	6.505	—	1.125	Contains• JV701 Wear Sleeve
4.812	7.004	1.250	—	5472	43	•7006S	43	S	5.500	7.004	—	1.250	Contains• JV701 Wear Sleeve
4.834	5.756	.710	—	5033	#	•3492	48	T	5.000	5.756	—	.500	Contains• JX2162 Wear Sleeve
4.841	5.756	.750	—	5665	#	•3492V	48	V	5.000	5.756	—	.500	Contains• JX1967 Wear Sleeve
4.875	6.006	.715	—	5643	#	•3782	#	H	5.000	6.006	—	.500	Contains• J1606 Wear Sleeve
4.993	6.131	.750	—	5229	41	•416172	41	S	5.125	6.131	—	.562	Contains• J1137 Wear Sleeve
5.000	6.006	.717	—	5722	94	•947090◄	94	T	5.125	6.006	—	.413	Contains• JL2370 Wear Sleeve
5.000	6.131	.875	—	5199	7H	•8971H	7S	H	5.125	6.131	—	.750	Contains• JX1831 Wear Sleeve
5.000	6.131	.875	—	5624	45	•456557	45	V	5.125	6.131	—	.500	Contains• JX1831 Wear Sleeve
5.179	6.513	1.380	—	5424	32	•327984◄	32	T	5.312	6.513	—	.500	Contains• JF2280 Wear Sleeve
5.180	6.507	.750	—	*5082	45	•456986H	45	H	5.312	6.507	—	.625	Contains• J2037 Wear Sleeve
5.187	6.513	1.380	—	5422	32	•327984◄	32	T	5.312	6.513	—	.500	Contains• JF2280 Wear Sleeve
5.500	6.631	.875	—	5146	41	•415487	41	S	5.625	6.631	—	.625	Contains• JV1463 Wear Sleeve
5.625	6.632	1.000	—	5383	45	455447	45	S	5.750	6.632	—	.625	Contains• J1355 Wear Sleeve
5.875	7.008	.875	—	5228	45	•456055V	45	V	6.000	7.008	—	.625	Contains• JX1002 Wear Sleeve
5.991	6.757	.500	—	5039	#	•4165V◄	#	V	6.107	6.757	—	.500	Contains• JV2088 Wear Sleeve
5.998	6.757	.675	—	5645	#	•4165V◄	#	V	6.107	6.757	—	.500	Contains• J2051 Wear Sleeve
6.000	6.757	.750	—	5026	33	•336665H	33	H	6.125	6.757	—	.375	Contains• J1141 Wear Sleeve
6.079	7.336	.600	—	5637	#	•2628	64	H	6.204	7.336	—	.562	Contains• J1895 Wear Sleeve
6.079	7.336	.750	—	5613	#	•2628	64	H	6.204	7.336	—	.562	Contains• K458 Wiper &• J1842 Wear Sleeve
6.204	7.336	.812	—	*5634	#	•3807	64	H	6.328	7.336	—	.500	Contains• J1825 Wear Sleeve
6.500	8.007	.750	—	5436	91	914412◄	91	T	6.625	8.007	—	.750	Contains• JG2361 Wear Sleeve
6.500	8.007	.750	—	5441	91	914411◄	91	T	6.625	8.007	—	.750	Contains• JL2361 Wear Sleeve
6.500	8.007	1.000	—	5443	91	914413➔	91	T	6.625	8.007	—	1.000	Contains• JG2345 Wear Sleeve
6.875	8.382	.750	—	5538	41	•416674	41	S	7.000	8.382	—	.750	Contains• JV1474 Wear Sleeve
6.875	8.633	.825	—	5164	#	•3123	#	S	6.956	8.633	—	.750	
						•3124%	46	S	6.875	8.543	—	.825	
7.369	9.010	.875	—	5276	41	•415551	41	S	7.500	9.010	—	.750	Contains• JV1190 Wear Sleeve
7.908	9.508	.960	—	5615	#	•3624	#	S	8.000	9.508	—	.860	
						•3776S	#	S	7.908	9.535	—	.960	
9.057	10.719	1.000	—	5632	#	•3689	#	V	9.173	10.719	—	.625	Contains• J1984 Wear Sleeve
9.265	11.385	.990	—	5175	45	•455871V	45	V	9.375	11.385	—	.750	Contains• JV829 Wear Sleeve
9.375	11.383	.825	—	5227	#	•3502	45	S	9.477	11.383	—	.750	
						•3503%	#	S	9.375	11.273	—	.825	

Designed For A Specific Application - Not Recommended For General Use ➔ Hydrodynamic Lip Design-CW ◄ Hydrodynamic Lip Design-CCW % External Bore

* The U.S. customer service number is 877-4-TIMKEN. The Canadian customer service numbers are 800-565-4927 (English) and 800-565-0438 (French-Canadian).

• Sold Separately

Size Section—Wear Sleeves

Shaft	I.D.	Eff. Shaft Dia.	Flanged O.D.	Width	Type Illus.	Part No.	Shaft	I.D.	Eff. Shaft Dia.	Flanged O.D.	Width	Type Illus.	Part No.
—	—	2.515	2.855	.510	#	JV1931	—	2.250	2.404	3.073	.770	#	J1064
5.000	—	5.125	—	.717	19	JL2370	2.288	2.284	2.386	—	.453	15	JV1018
.750	.745	.875	—	.500	19	J1594	2.289	2.284	2.386	—	.453	15	J756
.750	.745	.875	—	.500	19	JV1594	2.312	2.307	2.437	—	.625	19	J1114
.875	.869	.999	—	.562	19	J1267	2.312	2.307	2.437	—	.625	19	JV1114
.875	.869	.999	—	.562	19	JV1267	2.375	2.370	2.500	—	.625	19	J1115
1.041	1.036	1.125	—	.625	19	J1246	2.375	2.370	2.500	—	.625	19	JV1115
1.041	1.036	1.125	—	.625	19	JV1246	2.375	2.370	2.500	—	1.000	19	JV1802
1.062	1.057	1.187	1.437	.640	10	JV1872	2.375	2.370	2.500	—	1.000	19	JX1990
1.125	1.120	1.250	—	.500	19	J1158	2.382	2.377	2.491	—	.937	19	JX1920
1.125	1.120	1.250	—	.500	19	JX1158	2.412	2.400	2.518	—	.435	15	JV1304
1.125	1.120	1.250	—	.625	19	J1432	2.423	2.418	—	2.680	.488	#	J1043
1.125	1.120	1.250	—	.625	19	JV1432	2.437	2.432	2.562	2.750	.750	10	JV1455
1.177	1.172	1.300	—	.422	19	J712	—	2.437	2.570	—	.550	1	JV933
1.250	1.245	1.375	1.562	.750	10	JV1873	2.458	2.453	2.507	—	.700	1	JV970
1.251	1.246	1.375	—	.500	19	JV1252	2.475	2.470	2.625	—	1.125	19	J1876
1.251	1.246	1.375	—	.500	19	JX1252	2.500	2.495	2.625	—	.625	19	J1117
1.343	1.338	1.500	—	.625	19	JV1409	2.500	2.495	2.625	—	.625	19	JV1117
1.365	1.360	1.496	—	.625	19	JV1410	2.500	2.495	2.625	—	.625	19	JX1117
1.375	1.370	1.500	—	.625	19	JV1277	2.500	2.495	2.625	—	.875	19	J1288
1.468	1.463	1.625	—	.625	19	J1493	2.502	2.498	2.627	—	1.000	19	J1780
1.468	1.463	1.625	—	.625	19	JV1493	2.536	2.531	3.128	—	.625	#	J790
1.500	1.495	1.625	—	.415	19	J1807	2.536	2.531	3.128	—	.625	#	JV790
1.500	1.495	1.625	—	.625	19	J1101	2.641	2.562	2.755	—	.690	1	J1086
1.500	1.495	1.625	—	.625	19	JV1101	2.567	2.562	3.115	—	.625	#	JV1161
1.562	1.557	1.687	—	.625	19	J1102	2.625	2.620	2.750	—	.625	19	J1118
1.562	1.557	1.687	—	.625	19	JV1102	2.625	2.620	2.750	—	.625	19	JV1118
1.625	1.620	1.750	—	.535	19	JX1505	2.636	2.630	2.722	—	.500	1	JV1373
1.625	1.620	1.750	—	.625	19	J1103	2.698	2.690	2.774	—	.953	#	JV1216
1.625	1.620	1.750	—	.625	19	JV1103	2.728	2.722	2.806	—	.590	1	JV1215
1.625	1.620	1.750	—	.750	19	J1397	2.750	2.745	2.875	—	.625	19	J1119
1.625	1.620	1.755	—	.625	19	JV1500	2.750	2.745	2.875	—	.625	19	JV1119
1.646	1.641	1.745	—	.625	19	J983	2.750	2.745	2.875	—	.625	19	J1515
1.731	1.726	1.812	3.000	1.000	#	J1211	2.750	2.745	2.875	—	.750	19	JX1576
1.737	1.732	—	3.100	.203	10	J121	2.750	2.745	2.875	—	.875	19	J1289
1.750	1.745	1.875	—	.625	19	J1105	2.763	2.758	2.860	—	.435	15	J493
1.750	1.745	1.875	—	.625	19	JV1105	—	2.799	2.911	3.125	.640	#	JV1673
1.750	1.745	1.875	—	.625	19	JX1105	2.809	2.804	2.894	3.250	.500	8	JV1076
1.766	1.761	1.871	—	.875	19	J825	2.812	2.807	2.937	3.156	1.000	10	JV1427
1.766	1.761	1.871	—	.875	19	JV825	2.812	2.807	2.943	3.156	1.000	10	J1427
1.766	1.761	1.871	—	.875	19	JX825	2.875	2.870	3.000	—	.625	19	J1120
1.843	1.781	1.937	2.521	.782	8	J1049	2.875	2.870	3.000	—	.625	19	JV1120
1.812	1.807	1.937	—	.625	19	J1106	2.875	2.870	3.000	—	.625	19	JX1120
1.812	1.807	1.937	—	.625	19	JV1106	2.890	2.885	3.000	—	1.000	19	J1173
1.812	1.807	1.937	2.125	.718	10	JV1464	2.890	2.885	3.000	—	1.000	19	JV1173
1.852	1.847	1.947	—	.647	19	J1094	2.906	2.900	3.000	3.125	.562	#	* JV1099
1.875	1.870	2.000	—	.562	19	J1063	2.906	2.900	3.000	3.125	.562	#	JV1371
1.875	1.870	2.000	—	.625	19	J1107	2.896	2.965	—	—	.245	#	SK3++
1.875	1.870	2.000	—	.625	19	JV1107	3.000	2.994	3.125	—	.625	19	J1121
1.875	1.870	2.000	—	.625	19	JV1403	3.000	2.994	3.125	—	.625	19	JV1121
1.876	1.871	1.933	—	.843	19	J990	3.000	2.994	3.125	—	.687	19	JX1747
1.980	1.975	2.111	—	.625	19	JV1837	3.000	2.995	3.125	—	1.250	#	J1044
2.000	1.995	2.125	—	.625	19	J1109	3.010	3.005	3.115	—	.435	15	JV495
2.000	1.995	2.125	—	.625	19	JV1109	3.035	3.030	3.125	3.750	1.070	8	J1191
2.000	1.995	2.125	—	.750	19	J1396	3.125	3.118	3.261	3.562	.920	10	JV1508
2.062	2.057	2.187	—	.625	19	J1110	3.125	3.119	3.225	—	.625	19	J1082
2.062	2.057	2.187	—	.625	19	JV1110	3.125	3.119	3.250	—	.625	19	J1122
2.075	2.070	2.125	2.375	.448	10	J1235	3.125	3.119	3.250	—	.625	19	JV1122
2.097	2.093	2.187	2.725	.770	8	J1065	3.125	3.119	3.250	—	.625	19	JX1122
2.125	2.120	2.250	—	.625	19	J1111	3.125	3.119	3.250	—	.750	19	J1401
2.125	2.120	2.250	—	.625	19	JV1111	3.125	3.119	3.250	—	.750	19	JX1401
2.125	2.120	2.250	2.250	.625	19	JX1111	3.130	3.124	3.226	—	.435	15	J873
2.125	2.120	2.250	2.437	.750	10	JV1456	3.146	3.140	3.224	—	.625	1	JV949
2.126	2.121	2.200	2.953	.302	#	JV2019	—	3.187	3.322	—	.970	1	J872
—	2.140	2.331	2.625	.625	—	JV1157	3.250	3.244	3.353	—	.625	19	J1084
2.187	2.182	2.312	—	.625	19	J1112	3.250	3.244	3.375	—	.625	19	J1123
2.187	2.182	2.312	—	.625	19	JV1112	3.250	3.244	3.375	—	.625	19	JV1123
2.236	2.231	2.375	—	.625	19	JV1836	3.250	3.244	3.375	3.625	.750	10	JV1875
2.250	2.245	2.375	—	.625	19	J1113	3.266	3.260	3.313	—	.453	1	JV1236
2.250	2.245	2.375	—	.625	19	JV1113	3.375	3.369	3.500	—	.625	19	J1124

For Illustration and Material Data See Technical Section

Designed For A Specific Application - Not Recommended For General Use ++ Not Sold Separately

* The U.S. customer service number is 877-4-TIMKEN. The Canadian customer service numbers are 800-565-4927 (English) and 800-565-0438 (French-Canadian).

Shaft	I.D.	Eff. Shaft Dia.	Flanged O.D.	Width	Type Illus.	Part No.	Shaft	I.D.	Eff. Shaft Dia.	Flanged O.D.	Width	Type Illus.	Part No.
3.375	3.369	3.500	—	.625	19	JV1124	4.535	4.530	4.625	—	.670	#	J1284
3.375	3.369	3.500	—	1.125	19	J1718	4.541	4.535	4.625	—	.468	1	J1151
3.475	3.375	3.573	—	.800	1	JV1179	4.625	4.618	4.739	—	.340	19	J1155
3.419	3.414	3.510	—	.531	1	JV1091	4.625	4.618	4.750	—	.750	19	J1134
3.437	3.430	3.566	3.875	.875	10	JV1509	4.625	4.618	4.750	—	.750	19	JV1134
—	3.453	4.380	—	.812	2	JV976	4.636	4.631	4.744	—	.750	19	JX847
3.500	3.494	3.625	—	.625	19	J1125	4.646	4.639	4.742	—	.625	19	JX1386
3.500	3.494	3.625	—	.625	19	JV1125	4.687	4.679	4.812	—	1.240	19	JF2282
3.500	3.494	3.625	—	.625	19	JX1125	4.687	4.680	4.740	—	.283	15	* JV608
3.500	3.494	3.625	3.937	.718	10	JV1494	4.687	4.680	4.812	—	1.240	19	JX1867
3.500	3.494	3.625	—	.875	19	J1293	4.687	4.683	4.812	—	1.562	19	J729
3.562	3.556	3.666	3.825	.718	10	J1469	4.687	4.683	4.826	—	1.562	19	JV729
3.562	3.556	3.687	3.825	.718	10	JV1469	4.918	4.687	5.009	—	.906	1	JV1060
4.691	3.562	4.786	—	.840	1	J1025	4.750	4.743	4.853	5.187	.812	10	JV1462
3.625	3.619	3.750	—	.625	19	J1126	4.750	4.743	4.875	—	.750	19	J1135
3.625	3.619	3.750	—	.625	19	JV1126	4.750	4.743	4.875	—	.750	19	JV1135
3.625	3.619	3.750	—	.625	19	JV1368	4.764	4.759	5.510	—	.875	#	JV753
3.625	3.619	3.750	4.000	.875	10	JV1874	4.812	4.812	5.510	—	.875	#	JV701
3.668	3.662	3.798	—	.530	#	JV1936	4.834	4.829	4.994	—	.710	#	JX2162
3.678	3.670	3.755	—	.625	1	JV1517	4.840	4.834	5.000	—	.750	19	* JX1967
3.678	3.670	3.758	—	.625	1	JV1582	4.875	4.868	5.000	—	.715	19	J1606
3.686	3.680	3.767	—	.625	1	JV1166	4.875	4.868	5.000	—	.750	19	J1136
3.721	3.715	3.805	4.200	.458	19	JV1152	4.875	4.868	5.000	—	.750	19	JV1136
3.742	3.732	3.821	—	.500	#	J1750	4.875	4.868	5.000	—	.750	19	JX1136
3.750	3.744	3.875	—	.625	19	J1127	4.875	4.868	5.000	—	1.000	19	JV2038
3.750	3.744	3.875	—	.625	19	JV1127	4.875	4.868	5.000	—	1.250	19	JV1999
—	3.750	3.942	4.250	.500	#	JV1897	4.917	4.910	5.004	—	.937	1	JV943
3.874	3.868	4.035	—	.831	19	JV1074	—	4.937	5.128	5.875	.838	8	J1159
3.874	3.868	4.040	4.500	.921	10	JV1361	5.000	4.993	5.125	—	.750	19	J1137
3.875	3.869	4.000	—	.625	19	J1128	5.000	4.993	5.125	—	.750	19	JV1137
3.875	3.869	4.000	—	.625	19	JV1128	5.000	4.993	5.125	—	.750	19	JX1137
3.875	3.869	4.000	—	.625	19	JX1128	5.000	4.993	5.125	—	.875	19	JX1831
3.930	3.925	4.375	—	.875	#	JV1511A	5.187	5.179	5.312	—	1.380	19	JF2280
3.936	3.930	4.042	4.375	.859	#	JV1362	5.187	5.180	5.312	—	.750	19	J2037
3.937	3.930	4.070	4.375	.875	10	JV1511	5.250	5.243	5.375	—	.750	19	J1138
4.000	3.989	4.125	—	.625	19	J1129	5.250	5.243	5.375	—	.750	19	JV1138
4.000	3.994	4.125	—	.625	19	JV1129	5.375	5.368	5.500	—	.750	19	J1081
4.000	3.994	4.125	4.312	.718	10	JV1461	5.375	5.368	5.500	—	.848	#	J1828
—	4.000	4.630	—	.700	1	JV1976	5.375	5.368	5.500	—	.848	#	JX1828
4.062	4.056	4.187	4.375	.875	10	JV1473	5.392	5.385	5.500	—	.625	19	JV1704
4.090	4.083	—	5.125	.235	#	J1380	5.400	5.393	5.442	—	.760	1	JV1944
4.125	4.119	4.250	—	.625	19	J1130	5.500	5.493	5.625	—	.750	19	J1139
4.125	4.119	4.250	—	.625	19	JV1130	5.500	5.493	5.625	—	.750	19	JV1139
4.275	4.187	4.375	5.125	.898	8	J1172	5.500	5.493	5.625	5.812	.875	10	JV1463
4.275	4.187	4.375	5.125	.898	8	JV1172	5.625	5.618	5.750	—	1.000	19	J1355
4.212	4.207	4.325	—	.984	19	JX2045	5.625	5.618	5.750	—	1.000	19	JV1355
4.250	4.244	4.375	—	.750	19	J1131	5.625	5.618	5.754	—	1.250	19	JV1978
4.250	4.244	4.375	—	.750	19	JV1131	5.637	5.630	5.755	—	1.175	1	J953
4.250	4.244	4.375	—	.750	19	JX1131	5.641	5.634	5.743	—	.750	19	JX845
4.260	4.256	4.387	4.625	.656	10	JV1210	5.750	5.743	5.875	—	.750	19	J1140
4.481	4.312	4.572	—	.750	1	JV980	5.750	5.743	5.875	—	.750	19	JV1140
4.346	4.340	4.906	5.625	.563	#	J1425	5.795	5.785	5.880	—	1.000	1	JV1550
4.375	4.368	4.500	4.812	.843	10	JV1512	5.875	5.868	6.000	—	.875	19	JV1002
4.375	4.369	4.500	—	.750	19	J1132	5.875	5.868	6.000	—	.875	19	JX1002
4.375	4.369	4.500	—	.750	19	JV1132	5.900	5.890	6.000	7.125	1.035	8	J1245
4.375	4.369	4.500	—	.750	19	JX1132	5.991	5.986	6.100	—	.455	#	JV2088
4.465	4.459	4.575	5.125	.230	14	J1405	6.000	5.993	6.125	—	.750	19	J1141
4.474	4.468	4.604	—	.530	19	JV1935	6.000	5.993	6.125	—	.750	19	JV1141
4.500	4.493	4.625	—	.625	19	J1238	6.000	5.993	6.125	6.125	.750	19	JX1141
4.500	4.493	4.625	—	.625	19	JX1238	6.080	6.073	6.204	—	.600	19	J1895
4.500	4.493	4.625	—	.625	19	J1929	6.081	6.073	6.204	—	.750	19	J1842
4.500	4.493	4.625	—	.687	19	JV1363	6.079	6.073	6.204	—	.866	19	J2053
4.500	4.493	4.625	—	.687	19	JX1363	6.081	6.073	6.204	—	1.031	19	J1824
4.500	4.493	4.625	—	.750	19	J1133	6.187	6.180	6.312	—	.848	#	J1838
4.500	4.493	4.625	—	.750	19	JV1133	6.206	6.198	6.328	—	.812	19	J1825
4.500	4.493	4.625	4.937	.912	10	JV1513	6.206	6.198	6.328	—	.812	19	JV1825
4.500	4.494	5.500	—	.875	#	J1197	6.375	6.368	6.500	—	.875	19	J1869
4.502	4.496	4.627	—	1.000	19	J1880	6.375	6.368	6.500	—	.875	19	JV1869
—	4.500	5.130	—	.600	1	JV1077	6.444	6.437	6.526	—	.550	1	JV1019
—	4.500	5.130	—	.700	1	JV1977	6.500	6.492	6.625	—	.625	19	* JL2361

For Illustration and Material Data See Technical Section

Designed For A Specific Application - Not Recommended For General Use

Size Section—Wear Sleeves

Shaft	I.D.	Eff. Shaft Dia.	Flanged O.D.	Width	Type Illus.	Part No.	Shaft	I.D.	Eff. Shaft Dia.	Flanged O.D.	Width	Type Illus.	Part No.
6.500	6.492	6.625	—	.750	19	* JG2361							
6.500	6.492	6.625	—	.875	19	* JG2345							
6.575	6.515	6.687	7.531	1.040	8	J1059							
6.875	6.867	7.000	—	.750	19	J1278							
6.875	6.867	7.000	—	.750	19	JV1278							
6.875	6.867	7.000	7.187	1.000	10	JV1474							
6.892	6.884	6.993	—	.937	19	JX846							
7.117	7.109	8.356	8.453	1.684	#	J892							
7.221	7.214	—	7.767	.491	#	J893							
7.375	7.367	7.500	—	.875	19	JV1190							
7.375	7.367	7.500	—	.875	19	JX1190							
—	7.500	7.881	8.562	.781	#	JV1378							
7.625	7.617	7.750	—	1.125	19	JV1759							
7.750	7.742	7.875	—	1.000	19	JV1760							
7.875	7.867	8.011	—	.750	19	JV1669							
8.125	8.117	8.250	—	1.470	19	JV1850							
—	8.125	8.250	9.500	.875	8	J1196							
—	8.125	8.250	9.375	1.085	#	J1629							
8.525	8.517	8.625	10.550	1.105	8	J1087							
9.058	9.048	9.173	—	1.000	19	J1984							
9.265	9.256	9.365	—	.990	19	JV829							
9.265	9.256	9.365	—	.990	19	JX829							
9.265	9.256	9.365	—	.990	19	JXS829							
10.312	10.303	10.479	—	1.125	19	JV1808							
10.915	10.906	—	11.975	.815	10	J930							
12.345	11.260	12.400	—	.590	1	J986							

SIZE SECTION

For Illustration and Material Data See Technical Section

Designed For A Specific Application - Not Recommended For General Use

* The U.S. customer service number is 877-4-TIMKEN. The Canadian customer service numbers are 800-565-4927 (English) and 800-565-0438 (French-Canadian).

Shaft Range		Part No.	Width on Shaft	Overall Width	Flanged O.D.	Installation Depth
Minimum	Maximum					
.469	.475	99049	.236	.331	.787	.472
.498	.502	99050	.250	.344	.610	2.008
.560	.566	99056	.250	.391	.750	1.831
.589	.593	99059	.197	.354	.750	.425
.623	.627	99062	.313	.406	.813	2.000
.626	.630	99058	.313	.438	.718	2.000
.667	.671	99068	.315	.433	1.063	2.008
.682	.686	99060	.313	.438	.900	2.000
.704	.709	99082	.315	.433	1.063	1.811
.748	.752	99076	.313	.438	.938	2.000
.748	.752	99075	.375	.500	.900	2.000
.759	.761	99081	.313	.438	.938	2.000
.780	.784	99080	.313	.438	.935	2.000
.785	.789	99078	.313	.433	.999	2.000
.857	.861	99086	.250	.375	1.155	2.000
.861	.866	99085	.315	.472	1.058	1.813
.873	.877	99087	.313	.438	1.093	2.000
.908	.912	99091	.313	.438	1.218	1.847
.966	.970	99094	.313	.438	1.130	2.000
.966	.970	99096	.625	.719	1.130	2.000
.982	.986	99098	.313	.433	1.378	2.000
.998	1.002	99101	.313	.438	1.219	2.000
1.019	1.024	99103	.313	.472	1.312	1.813
1.060	1.064	99106	.313	.438	1.320	2.812
1.087	1.091	99108	.313	.438	1.406	.625
1.100	1.104	99111	.375	.500	1.375	2.813
1.123	1.127	99112	.313	.438	1.575	.688
1.154	1.158	99120	.375	.500	1.350	.688
1.173	1.178	99122	.313	.438	1.575	.688
1.179	1.184	99114	.315	.433	1.400	.688
1.185	1.190	99118	.313	.438	1.400	.875
1.216	1.222	99123	.315	.438	1.575	.688
1.237	1.243	99141	.315	.438	1.540	.688
1.247	1.253	99125	.313	.438	1.500	.688
1.257	1.263	99128	.315	.437	1.496	.709
1.308	1.314	99129	.250	.375	1.600	.813
1.310	1.316	99131	.500	.625	1.594	.813
1.336	1.342	99134	.500	.625	1.638	.813
1.371	1.377	99133	.313	.438	1.638	.813
1.371	1.377	99138	.500	.625	1.638	.813
1.375	1.381	99139	.512	.630	1.638	.812
1.412	1.417	99146	.518	.669	1.689	.984
1.432	1.438	99143	.563	.688	1.781	1.000
1.435	1.441	99144	.375	.500	1.781	1.016
1.453	1.460	99145	.375	.500	1.781	.812
1.490	1.496	99147	.512	.669	1.780	.984
1.497	1.503	99150	.375	.500	1.781	1.016
1.497	1.503	99149	.563	.688	1.781	1.000
1.520	1.526	99152	.438	.563	1.859	1.016
1.549	1.555	99155	.438	.563	1.859	1.000
1.559	1.565	99156	.563	.688	1.859	1.000
1.572	1.578	99157	.512	.630	1.850	1.023
1.602	1.608	99160	.500	.641	1.938	1.000
1.622	1.628	99161	.313	.438	1.875	1.016
1.623	1.628	99162	.563	.688	1.875	.813
1.647	1.654	99166	.445	.571	2.087	.827
1.647	1.654	99169	.563	.688	2.087	.827
1.684	1.690	99168	.563	.688	1.906	.875
1.685	1.691	99167	.313	.438	1.906	.875
1.715	1.721	99171	.563	.688	2.031	.813
1.736	1.742	99170	.375	.500	2.063	.813
1.747	1.753	99172	.375	.500	2.055	.813
1.747	1.753	99180	.531	.625	2.063	.875
1.747	1.753	99174	.563	.688	2.063	.813
1.747	1.753	99175	.750	.875	2.063	.813
1.761	1.767	88176	.563	.688	2.063	.813
1.761	1.767	99176	.563	.688	2.063	.813
1.769	1.775	99177	.551	.669	2.087	.812
1.778	1.784	88179	.675	.800	2.125	1.000
1.778	1.784	99179	.675	.800	2.125	1.062

Size Section—Redi-Sleeves

Shaft Range		Part No.	Width on Shaft	Overall Width	Flanged O.D.	Installation Depth
Minimum	Maximum					
1.809	1.815	99181	.563	.688	2.156	1.000
1.857	1.863	99185	.563	.688	2.156	1.000
1.866	1.872	88186	.889	1.025	2.187	1.000
1.866	1.872	99186	.889	1.025	2.187	1.000
1.872	1.878	99190	.175	.295	2.203	.744
1.872	1.878	99188	.295	.415	2.203	.744
1.872	1.878	99184	.375	.516	2.203	1.050
1.872	1.878	88187	.563	.688	2.203	1.000
1.872	1.878	99187	.563	.688	2.203	1.000
1.887	1.893	99189	.551	.668	2.205	.984
1.909	1.915	99192	.375	.500	2.219	1.000
1.934	1.940	99193	.563	.688	2.219	1.000
1.965	1.971	99196	.551	.688	2.244	.984
1.977	1.983	99198	.563	.704	2.313	1.050
1.997	2.003	88199	.563	.688	2.406	1.000
1.997	2.003	99199	.563	.688	2.406	1.000
1.997	2.003	99200	.875	1.000	2.406	1.000
2.041	2.047	99204	.500	.625	2.469	1.000
2.057	2.063	99205	.781	.938	2.469	1.375
2.123	2.128	99210	.500	.750	2.422	1.281
2.124	2.130	99212	.781	.938	2.422	1.375
2.162	2.168	99215	.787	.905	2.441	1.250
2.186	2.192	88218	.781	.938	2.500	1.313
2.186	2.192	99218	.781	.938	2.500	1.313
2.197	2.205	99220	.500	.625	2.500	1.250
2.227	2.233	99229	.500	.625	2.531	1.313
2.227	2.233	99230	.781	.906	2.531	1.250
2.237	2.243	99226	.764	.900	2.562	1.250
2.249	2.255	99227	.313	.438	2.531	1.313
2.249	2.255	88225	.781	.938	2.531	1.313
2.249	2.255	99225	.781	.938	2.531	1.313
2.309	2.315	99231	.781	.938	2.688	1.600
2.327	2.333	88233	.750	.875	2.750	1.610
2.327	2.333	99233	.750	.875	2.750	1.610
2.359	2.365	99241	.370	.449	2.783	1.472
2.359	2.365	99235	.787	.905	2.785	1.375
2.369	2.375	99236	.781	.938	2.750	1.375
2.372	2.378	99238	.594	.750	2.750	1.375
2.374	2.380	99240	.526	.683	2.750	1.375
2.374	2.380	99237	.781	.938	2.734	1.375
2.434	2.440	99243	.781	.938	2.828	1.375
2.435	2.441	99242	.500	.626	2.827	1.417
2.489	2.495	99249	.781	.938	2.875	1.393
2.497	2.503	99253	.555	.650	2.820	.890
2.500	2.506	99248	.500	.656	2.828	1.375
2.500	2.506	99250	.781	.938	2.828	1.375
2.510	2.516	99251	.781	.906	2.828	1.438
2.556	2.562	99254	.787	.905	2.850	1.378
2.560	2.566	99256	.781	.938	2.891	1.375
2.595	2.602	99259	.781	.938	2.990	1.250
2.618	2.624	99261	.781	.938	3.047	1.375
2.621	2.627	99264	.781	.906	3.047	1.375
2.622	2.628	99260	.500	.625	3.047	1.375
2.625	2.631	99262	.781	.938	3.047	1.375
2.727	2.733	99268	.781	.906	3.125	1.313
2.740	2.746	99273	.781	.938	3.065	1.250
2.745	2.751	99274	.781	.938	3.125	1.250
2.747	2.753	99270	.781	.906	3.125	1.250
2.747	2.753	99267	1.438	1.625	3.075	1.625
2.750	2.756	99272	.406	.563	3.125	1.250
2.750	2.756	99275	.781	.938	3.125	1.250
2.750	2.756	99269	1.125	1.250	3.125	1.250
2.753	2.759	99276	.787	.945	3.125	1.250
2.809	2.815	99281	.594	.688	3.188	1.250
2.838	2.844	99282	.500	.656	3.225	1.250
2.866	2.872	99286	.781	.938	3.188	1.250
2.873	2.879	99287	.781	.938	3.219	1.250
2.937	2.943	99290	.500	.641	3.344	1.331
2.937	2.943	99293	.781	.938	3.344	1.250
2.950	2.956	99289	.594	.689	3.272	1.102

SIZE SECTION

Shaft Range		Part No.	Width on Shaft	Overall Width	Flanged O.D.	Installation Depth
Minimum	Maximum					
2.950	2.956	99294	.866	1.024	3.305	1.312
2.972	2.976	99292	.813	—	—	—
2.990	2.996	99291	.484	.625	3.359	1.331
2.990	2.996	99298	.563	.688	3.359	1.375
2.990	2.996	99299	.813	1.000	3.359	1.250
2.997	3.003	99296	.813	.938	3.240	1.375
3.000	3.006	99303	.625	.813	3.345	1.063
3.000	3.006	99300	.813	1.000	3.453	1.250
3.008	3.014	99301	.500	.625	3.355	2.000
3.120	3.126	99311	.688	.813	3.531	2.000
3.120	3.126	99312	.813	1.000	3.531	2.000
3.124	3.132	99307	.551	.709	3.525	2.031
3.142	3.150	99313	.750	.886	3.540	1.375
3.146	3.153	99317	.433	.590	3.543	1.378
3.146	3.153	99315	.827	.945	3.543	1.375
3.225	3.231	99328	.661	.850	3.587	1.732
3.247	3.253	99322	.813	1.000	3.594	1.375
3.248	3.254	99323	.600	.725	3.585	1.375
3.250	3.256	99324	.595	.719	3.594	1.375
3.250	3.256	99326	.688	.875	3.585	1.250
3.250	3.256	99325	.813	1.000	3.594	1.375
3.307	3.313	99331	.813	1.000	3.688	1.375
3.337	3.346	99333	.827	.984	3.700	1.378
3.338	3.346	99334	.827	.984	3.697	1.433
3.373	3.379	99338	.375	.500	3.688	1.410
3.373	3.379	99337	.813	1.000	3.688	1.375
3.435	3.441	99339	.781	.906	3.844	1.406
3.477	3.483	99340	.781	.906	3.835	1.406
3.500	3.506	99347	.315	.500	3.827	1.339
3.500	3.506	99350	.813	1.000	3.844	1.375
3.501	3.507	99349	.626	.811	3.842	1.339
3.540	3.546	99353	.528	.665	4.000	1.732
3.540	3.546	99351	.710	.906	4.000	1.813
3.540	3.546	99354	.906	1.102	4.000	1.750
3.560	3.566	99356	.813	1.000	3.900	1.750
3.618	3.624	99360	.811	1.000	4.031	1.732
3.623	3.629	99363	.500	.625	4.025	1.750
3.623	3.629	99362	.813	1.000	4.031	1.750
3.684	3.690	99368	.313	.438	3.830	.875
3.685	3.691	99359	.813	.938	4.025	1.750
3.685	3.691	99365	.813	.938	4.025	1.750
3.737	3.743	99369	.827	.945	4.025	1.750
3.740	3.746	99374	.344	.500	4.031	1.750
3.740	3.746	99364	.469	.594	4.035	1.750
3.746	3.752	99376	.563	.688	4.025	1.750
3.750	3.756	99367	.344	.500	4.031	1.750
3.750	3.756	99372	.688	.875	4.031	1.875
3.873	3.879	99387	.813	1.000	4.219	1.875
3.935	3.941	99393	.813	1.000	4.313	1.340
3.998	4.006	99401	.500	.625	4.375	2.066
3.998	4.006	99395	.600	.725	—	2.050
3.998	4.006	99400	.650	.775	4.375	1.375
3.998	4.006	99399	.813	1.000	4.375	1.250
4.122	4.130	99412	.813	1.000	4.420	1.375
4.130	4.138	99413	.787	.906	4.470	1.378
4.183	4.191	99418	.813	1.000	4.500	1.375
4.226	4.234	99423	.781	.906	4.610	1.438
4.248	4.256	99424	.813	1.000	4.813	1.375
4.327	4.335	99435	.509	.650	4.921	1.250
4.370	4.378	99437	.813	1.000	4.750	1.650
4.434	4.442	99439	1.000	1.142	4.813	1.313
4.496	4.504	99450	.813	1.000	5.000	1.375
4.523	4.531	99452	.813	.938	5.000	1.250
4.621	4.629	99465	.438	.625	5.000	1.375
4.621	4.629	99463	1.000	1.250	5.063	1.375
4.685	4.693	99468	.812	1.000	5.062	1.375
4.720	4.728	99473	.787	.984	5.110	1.260
4.746	4.754	99475	.500	.750	5.250	1.500
4.801	4.807	99472	.787	.945	5.177	1.260
4.871	4.879	99487	.625	.752	5.252	1.457

Size Section—Redi-Sleeves

Shaft Range		Part No.	Width on Shaft	Overall Width	Flanged O.D.	Installation Depth
Minimum	Maximum					
4.917	4.925	99490	.394	.551	5.402	1.457
4.917	4.925	99492	1.024	1.260	5.400	1.438
4.998	5.006	99498	.688	.875	5.400	1.438
4.998	5.006	99499	.813	1.000	5.406	1.500
5.110	5.118	99494	.750	.938	5.493	1.181
5.117	5.125	99491	.866	.996	5.492	1.299
5.246	5.254	99525	.813	1.000	5.560	1.250
5.371	5.379	99537	.813	1.000	5.875	1.250
5.498	5.506	99549	.812	1.000	5.938	1.250
5.508	5.516	99552	.807	1.000	5.945	1.250
5.746	5.754	99575	.813	1.000	6.180	1.750
5.871	5.879	99587	1.000	1.250	6.188	1.313
5.895	5.905	99595	1.024	1.181	6.260	1.338
5.934	5.942	99596	1.000	1.125	6.375	1.875
5.995	6.003	99601	.500	.750	6.360	1.750
5.995	6.003	99599	1.000	1.250	6.375	1.750
6.092	6.102	99606	1.024	1.181	6.500	1.299
6.245	6.255	99625	1.031	1.250	6.625	1.750
6.289	6.299	99630	1.000	1.250	7.000	1.800
6.495	6.505	99650	1.000	1.250	7.000	1.750
6.683	6.693	99640	1.250	1.496	7.188	1.750
6.745	6.755	99675	.813	1.063	7.125	1.750
6.995	7.005	99700	1.000	1.250	7.500	1.750
7.077	7.087	99721	1.300	1.496	7.500	1.752
7.244	7.254	99725	1.250	1.500	7.760	2.175
7.495	7.505	99750	.813	1.000	7.875	1.250
7.745	7.755	99775	1.000	1.313	8.270	1.875
7.869	7.879	99787	1.359	1.500	8.375	1.750
7.933	7.943	99799	1.000	1.250	8.375	1.750
7.995	8.005	99800	1.000	1.250	8.375	1.750

SIZE SECTION

Part No.	Lip Mat'l	Shaft Size	Hsg. Bore	Seal O.D.	Seal Width	Type/illus.	Part No.	Lip Mat'l	Shaft Size	Hsg. Bore	Seal O.D.	Seal Width	Type/illus.
1000 SERIES							1000 SERIES (cont.)						
1012★	S	45,00	62,00	62,30	8,00	35	1172★➔	H	35,00	47,00	47,40	7,00	32
		1.772	2.441	2.453	.315				1.378	1.850	1.866	.276	
1012N★	S	45,00	62,00	62,30	8,00	35	1173★	N	35,00	67,00	67,27	12,00	32
		1.772	2.441	2.453	.315				1.378	2.638	2.648	.472	
1015★	S	18,00	28,00	28,20	6,00	35	1174★	S	38,00	52,00	52,25	8,50	32
		.709	1.102	1.110	.236				1.496	2.047	2.057	.335	
1015N★	S	18,00	28,00	28,20	6,00	35	1175★➔	S	38,00	58,00	58,25	11,00	32
		.709	1.102	1.110	.236				1.496	2.283	2.293	.433	
1019★◄	H	76,00	93,00	93,30	10,00	32	1176★	N	38,00	65,00	65,27	12,00	#
		2.992	3.661	3.673	.394				1.496	2.559	2.570	.472	
1021★◄	V	70,00	87,00	87,40	8,50	32	1177★	N	38,00	74,00	74,27	11,00	32
		2.756	3.425	3.441	.335				1.496	2.913	2.924	.433	
1021V★◄	V	70,00	87,00	87,40	8,50	32	1178★	S	40,00	52,00	52,25	6,00	32
		2.756	3.425	3.441	.335				1.575	2.047	2.057	.236	
1036★➔	S	40,00	76,00	76,25	8,00	40	*1179★	S	40,00	62,00	62,25	10,00	#
		1.575	2.992	3.002	.315				1.575	2.441	2.451	.394	
1037	S	1.125	1.500	1.504	.250	35	1180★	S	41,00	55,00	55,29	7,00	32
1038★➔	N	38,00	59,00	59,30	9,00	32			1.614	2.165	2.177	.276	
		1.496	2.323	2.335	.354		1181★	S	41,00	56,00	56,25	7,00	35
									1.614	2.205	2.215	.276	
1041	S	.500	1.006	1.010	.250	48	1183★	S	43,00	55,00	55,25	8,00	34
1049	S	.750	1.125	1.129	.250	33			1.693	2.165	2.175	.315	
*1070	S	1.250	2.133	2.137	.313	35	*1184★	N	45,00	60,00	60,25	10,00	35
*1077★	S	35,00	52,00	52,13	8,50	33			1.772	2.362	2.372	.394	
		1.378	2.047	2.052	.335		*1185★	S	45,00	62,00	62,30	10,00	32
*1078★	S	40,00	60,00	60,20	10,00	33			1.772	2.441	2.453	.394	
		1.575	2.362	2.370	.394		1187★	S	47,00	68,00	68,27	10,00	32
*1086★	S	35,00	58,00	58,14	11,90	33			1.850	2.677	2.688	.394	
		1.378	2.283	2.289	.469		1188★	S	48,00	62,00	62,25	6,00	34
1097	S	1.375	1.947	1.951	.500	33			1.890	2.441	2.451	.236	
1097N	S	1.375	1.947	1.951	.500	33	*1189★	S	50,00	70,00	70,30	9,50	32
*1107★	S	28,00	40,00	40,31	7,00	33			1.969	2.756	2.768	.374	
		1.102	1.575	1.587	.276		1192	S	1.605	2.374	2.386	.375	32
1108★➔	V	35,00	48,00	48,40	7,00	32	*1193★	S	27,00	41,00	41,10	9,50	#
		1.378	1.890	1.906	.276				1.063	1.614	1.618	.374	
1110	F	1.400	1.969	2.000	.250	#	1195	S	1.562	2.061	2.275	.338	32
1119★➔	V	35,00	54,00	54,30	8,00	32	1196★	S	38,00	52,00	52,25	6,00	47
		1.378	2.126	2.138	.315				1.496	2.047	2.057	.236	
1120★◄	V	38,00	53,00	53,30	8,00	32	*1204★	S	32,00	58,00	58,29	12,70	32
		1.496	2.087	2.098	.315				1.260	2.283	2.295	.500	
1121★◄	V	31,00	46,00	46,28	8,00	32	1205★	S	39,00	52,00	52,30	11,30	47
		1.220	1.811	1.822	.315				1.535	2.047	2.059	.445	
1126★	S	39,00	50,50	50,75	8,50	25	1205N★	S	39,00	52,00	52,10	11,30	47
		1.535	1.988	1.998	.335				1.535	2.047	2.051	.445	
1128★	S	39,00	50,80	51,00	7,50	35	1207★	S	55,00	74,00	74,28	9,20	49
		1.535	2.000	2.008	.295				2.165	2.913	2.924	.362	
1129★	S	30,00	40,00	40,25	7,00	35	1207N★	S	55,00	74,00	74,10	9,20	49
		1.181	1.575	1.585	.276				2.165	2.913	2.917	.362	
1136★◄	N	35,00	76,00	76,30	12,50	30	1208★	S	48,00	72,00	72,31	7,00	32
		1.378	2.992	3.004	.492				1.890	2.835	2.847	.276	
*1140★	N	35,00	68,00	68,23	12,50	32	1209★	S	50,00	65,00	65,33	8,50	35
		1.378	2.677	2.686	.492				1.969	2.559	2.572	.335	
1146★◄	N	40,00	76,00	76,28	12,50	32	1213★	S	40,00	54,00	54,10	5,50	47
		1.575	2.992	3.003	.492				1.575	2.126	2.130	.217	
1147★➔	N	35,00	76,00	76,28	9,00	32	1213N★	S	40,00	54,00	54,10	5,50	47
		1.378	2.992	3.003	.354				1.575	2.126	2.130	.217	
*1162★	S	70,00	90,00	90,40	10,00	35	1214★	S	42,00	54,89	55,00	8,00	47
		2.756	3.543	3.559	.394				1.654	2.161	2.165	.315	
*1163★	S	22,00	40,00	40,18	16,00	#	1214N★	S	42,00	54,89	55,00	8,00	47
		.866	1.575	1.582	.630				1.654	2.161	2.165	.315	
1167★	N	32,00	52,00	52,25	11,00	32	1215★	N	35,00	48,00	48,25	14,00	#
		1.260	2.047	2.057	.433				1.378	1.890	1.900	.551	
1168★	S	33,00	50,00	50,25	12,00	32	1215N★	N	35,00	48,00	48,25	14,00	#
		1.299	1.969	1.978	.472				1.378	1.890	1.900	.551	
*1169★	N	35,00	50,00	50,24	12,00	32	1216★&	N	40,00	64,00	64,00	11,98	74
		1.378	1.969	1.978	.472				1.575	2.520	2.520	.472	
1170★	S	35,00	52,00	52,25	10,00	32	1216N★&	N	40,00	64,00	64,10	12,00	74
		1.378	2.047	2.057	.394				1.575	2.520	2.524	.472	
*1171★	S	35,00	55,00	55,30	11,00	32	1217★&	N	40,00	52,00	52,28	9,00	35
		1.378	2.165	2.177	.433				1.575	2.047	2.058	.354	

For Illustration and Material Data See Technical Section

Designed For A Specific Application - Not Recommended For General Use ➔ Hydrodynamic Lip Design-CW ◄ Hydrodynamic Lip Design-CCW & Flanged O.D.

Numerical List Size & Type

Part No.	Lip Mat'l	Shaft Size	Hsg. Bore	Seal O.D.	Seal Width	Type/illus.	Part No.	Lip Mat'l	Shaft Size	Hsg. Bore	Seal O.D.	Seal Width	Type/illus.
1000 SERIES (cont.)							1000 SERIES (cont.)						
1873	S	1.562	2.320	2.326	.374	35	1974★	S	50,00	67,00	67,27	11,00	97
1883★%	S	52,00	67,00	67,30	7,00	#			1.969	2.638	2.648	.433	
		2.047	2.638	2.650	.276		1975★	S	52,00	63,00	63,23	8,00	32
1884★	S	52,00	68,00	68,28	10,00	32			2.047	2.480	2.489	.315	
		2.047	2.677	2.688	.394		1979★➔	N	45,00	75,00	75,10	12,00	47
1906	S	1.763	2.126	2.134	.382	31			1.772	2.953	2.957	.472	
1928★	S	57,00	81,00	81,10	9,00	47	*1980★➔	H	35,00	50,00	50,25	10,00	32
		2.244	3.189	3.193	.354				1.378	1.969	1.978	.394	
1932★	S	56,00	68,00	68,28	10,00	49	1981★	S	30,00	45,00	45,23	8,00	35
		2.205	2.677	2.688	.394				1.181	1.772	1.781	.315	
1935★	S	63,00	90,00	90,10	7,00	47	1984★	S	57,00	67,00	67,11	6,00	25
		2.480	3.543	3.554	.276				2.244	2.638	2.642	.236	
1936★	S	49,00	64,00	64,28	12,50	#	1985★	S	60,00	90,00	90,25	22,00	#
		1.929	2.520	2.531	.492				2.362	3.543	3.553	.866	
1937★	S	47,00	64,00	64,28	14,00	#	1986★	S	72,00	88,00	88,25	8,00	48
		1.850	2.520	2.531	.551				2.835	3.465	3.474	.315	
1938★	S	45,00	64,00	64,25	19,00	#	1987★	N	35,00	49,21	49,63	6,00	33
		1.772	2.520	2.530	.748				1.378	1.937	1.954	.236	
1939★	S	45,00	64,00	64,26	13,00	#	1989★	S	28,60	43,00	43,15	6,50	47
		1.772	2.520	2.530	.512				1.126	1.693	1.699	.256	
1940★➔	N	35,00	49,60	49,83	11,00	32	1990★➔	N	27,00	43,00	43,25	9,00	32
		1.378	1.953	1.962	.433				1.063	1.693	1.703	.354	
1941★	S	50,00	77,50	77,70	9,00	47	1992★	S	45,00	65,00	65,10	5,00	47
		1.969	3.051	3.071	.354				1.772	2.559	2.563	.197	
1943★	S	45,00	72,20	72,34	7,50	44	1993★	S	56,00	73,00	73,28	12,50	47
		1.772	2.843	2.848	.295				2.205	2.874	2.885	.492	
*1944★➔	H	42,00	56,00	56,13	7,00	32	1994★	S	48,00	70,00	70,28	10,00	32
		1.654	2.205	2.210	.276				1.890	2.756	2.767	.394	
1945★◀	H	82,00	105,00	105,30	13,00	32	*1997★	S	45,00	62,00	62,10	10,16	#
		3.228	4.134	4.146	.512				1.772	2.441	2.445	.400	
*1946★	S	42,00	62,00	62,27	10,00	35	1999	S	1.625	2.251	2.255	.375	48
		1.654	2.441	2.452	.394		PSK-1		See Kit Section				
1948★	S	50,00	68,00	68,28	8,00	35	*SK1++	S	2.030	-	2.601	.295	#
		1.969	2.677	2.688	.315		*SK2++	S	2.010	-	2.876	.318	#
1949	S	1.875	2.441	2.445	.325	48	2000 SERIES						
1950★	S	41,00	53,00	53,25	7,00	41	*2000★	S	42,00	58,00	58,10	10,00	33
		1.614	2.087	2.096	.276				1.654	2.283	2.287	.394	
1951★&	S	45,00	64,00	64,11	11,86	87	2001★◀	S	60,00	82,00	82,28	12,00	32
		1.772	2.520	2.524	.467				2.362	3.228	3.239	.472	
1952	S	1.771	3.656	3.656	.282	54	2002★	S	54,00	65,00	65,28	12,50	47
1953★	N	42,00	60,00	60,22	7,04	32			2.126	2.559	2.570	.492	
		1.654	2.362	2.371	.277		2003★	S	36,00	55,00	55,09	6,50	47
1955★	S	52,00	65,00	65,30	9,00	35			1.417	2.165	2.169	.256	
		2.047	2.559	2.571	.354		2003N★	S	36,00	55,00	55,09	6,50	47
1956★	S	48,00	62,00	62,10	24,00	#			1.417	2.165	2.169	.256	
		1.890	2.441	2.445	.945		2004★◀	S	14,00	24,00	24,25	12,70	#
1958★	S	55,00	82,00	82,30	10,00	35			.551	.945	.955	.500	
		2.165	3.228	3.240	.472		2007★➔	S	35,00	56,00	56,30	9,00	#
1959	S	1.869	2.781	2.789	.354	32			1.378	2.205	2.217	.354	
1960★	S	50,00	70,00	70,23	9,00	47	2007N★➔	S	35,00	56,00	56,30	9,00	#
		1.969	2.756	2.765	.354				1.378	2.205	2.217	.354	
1962★&	S	40,00	52,00	52,12	8,50	78	2008★&	S	32,00	54,00	54,20	10,00	#
		1.575	2.047	2.052	.335				1.260	2.126	2.134	.394	
1963★➔	N	22,00	40,00	40,34	7,75	35	2009★	N	38,00	63,00	63,12	10,00	#
		.866	1.575	1.588	.305				1.496	2.480	2.485	.394	
1964★	S	57,00	72,00	72,25	8,40	47	2011★➔	N	40,00	75,00	75,26	12,00	40
		2.244	2.835	2.844	.331				1.575	2.953	2.963	.472	
1965★	V	36,00	60,00	60,20	8,00	48	2012★➔	V	43,00	55,00	55,20	6,00	32
		1.417	2.362	2.370	.315				1.693	2.165	2.173	.236	
1966★➔	H	38,00	52,00	52,30	8,00	35	2012V★➔	V	43,00	55,00	55,20	6,00	32
		1.496	2.047	2.059	.315				1.693	2.165	2.173	.236	
1969★	S	48,00	63,00	63,09	9,00	47	*2013★	S	45,00	62,00	62,30	12,00	32
		1.890	2.480	2.484	.354				1.772	2.441	2.453	.472	
1970★	S	30,00	42,00	42,27	7,00	35	2016★◀	S	30,00	45,00	45,20	15,00	#
		1.181	1.654	1.664	.276				1.181	1.772	1.780	.591	
1971★	S	50,00	64,00	64,10	6,50	47	2025★	V	42,00	60,00	60,42	7,00	32
		1.969	2.520	2.524	.256				1.654	2.362	2.379	.276	
1973★	S	48,00	65,00	65,30	8,00	25	2027★	S	15,00	24,00	24,20	5,00	35
		1.890	2.559	2.571	.315				.591	.945	.953	.197	
							2043	S	1.940	2.762	2.766	.500	47

NUMERICAL SECTION

For Illustration and Material Data See Technical Section

★ Designed For A Specific Application - Not Recommended For General Use ➔ Hydrodynamic Lip Design-CW ◀ Hydrodynamic Lip Design-CCW ++ Not Sold Separately

% External Bore & Flanged O.D.

* The U.S. customer service number is 877-4-TIMKEN. The Canadian customer service numbers are 800-565-4927 (English) and 800-565-0438 (French-Canadian). ★ Metric Seal

Part No.	Lip Mat'l	Shaft Size	Hsg. Bore	Seal O.D.	Seal Width	Type/illus.	Part No.	Lip Mat'l	Shaft Size	Hsg. Bore	Seal O.D.	Seal Width	Type/illus.
2000 SERIES (cont.)							2000 SERIES (cont.)						
*2054	S	3.187	4.625	4.630	.442	47	*2826	S	1.875	2.873	2.877	.394	#
2055	S	3.468	4.626	4.631	.625	47	*2834	S	2.000	2.623	2.626	.580	#
2064§	S	4.166	5.625	6.800	.210	#	*2854◀	N	1.687	2.500	2.506	1.535	79
2081◀▶	S	2.843	3.939	3.944	.495	41	*2855	S	.748	1.499	1.504	.312	#
*2082◀▶	S	4.166	5.502	5.506	.600	45	*2867V	V	3.753	4.720	4.730	.552	#
*2093H	H	4.000	4.562	4.568	.375	33	*2876&	S	1.558	2.372	2.376	.350	74
*2102	S	1.869	2.518	2.522	.437	#	*2910	S	3.500	4.840	4.848	.897	#
*2108	S	2.500	4.003	4.008	.468	45	2922▶	S	1.552	2.447	2.452	.500	86
*2109	S	3.253	4.499	4.505	.468	41	2942▶	N	1.875	2.560	2.565	.406	47
2146	S	1.687	2.560	2.579	.375	#	2955▶	N	1.709	2.205	2.213	.292	71
*2151H	H	5.500	6.251	6.257	.500	25	3000 SERIES						
*2155◀▶	S	4.062	5.500	5.509	.597	#	3016	S	5.875	8.001	8.007	.750	45
*2175◀	S	1.500	2.377	2.381	.500	47	*3028V▶	V	1.875	2.758	2.762	.425	25
*2177	S	2.598	3.999	4.004	.730	#	3051★▶	H	42,00	55,00	55,12	8,00	33
2194◀	N	1.500	2.372	2.376	.420	88			1.654	2.165	2.170	.315	#
*2205	S	1.500	2.249	2.254	.280	#	3051N★▶	H	42,00	55,00	55,12	8,00	33
2207	S	1.815	2.562	2.566	.562	290			1.654	2.165	2.170	.315	#
2218◀	H	3.750	4.751	4.756	.500	47	3054	H	5.500	6.625	6.632	.670	41
2222&	S	2.750	3.773	3.781	.435	286	*3054V	V	5.500	6.625	6.632	.670	41
2260	V	3.125	3.936	3.943	.512	45	*3061H	H	6.312	7.500	7.507	.690	41
2261★◀	V	110,00	130,00	130,18	12,70	32	*3061V	V	6.312	7.500	7.507	.690	41
		4.331	5.118	5.125	.500	#	*3072V	V	.562	1.124	1.128	.531	49
*2278	V	2.875	3.876	3.881	.468	#	*3074V	V	.625	1.124	1.128	.531	49
*2279▶	H	2.500	3.500	3.505	.500	47	*3075	S	.750	1.250	1.254	.437	282
2286	S	2.201	3.519	3.523	.590	74	3083▶	H	1.650	2.282	2.336	.768	48
2287	S	.750	1.250	1.254	.280	274	3087	S	2.048	2.728	2.732	.590	#
2291	H	3.125	4.125	4.130	.500	41	3095▶	S	2.240	3.190	3.194	.450	69
*2297◀	H	6.000	6.750	6.757	.500	25	*3098	S	5.500	8.494	8.501	1.062	#
2297V◀	V	6.000	6.750	6.757	.500	25	3100	S	4.750	6.186	6.192	1.250	89
2300	S	1.318	2.620	2.625	.875	#	3103▶	S	2.180	3.190	3.194	.620	69
*2326◀	S	1.500	2.374	2.378	.500	47	3116◀	N	1.375	2.374	2.378	.500	71
*2326N◀	N	1.500	2.374	2.378	.500	47	*3116N◀	N	1.375	2.374	2.378	.500	71
*2363	S	5.500	6.500	6.505	1.125	#	*3120N	N	1.500	2.374	2.378	.250	47
2377	V	3.750	4.501	4.506	.362	35	*3123	S	6.956	8.625	8.633	.750	#
*2439	H	2.125	3.189	3.194	.468	47	*3124%	S	6.875	8.543	8.543	.825	46
2440★▶	N	45,00	60,00	60,25	10,80	69	*3126	S	1.000	2.875	2.879	.468	41
		1.772	2.362	2.372	.425	#	3136N◀▶	N	2.500	4.938	4.943	.500	47
2443◀	N	1.375	1.952	1.957	.500	25	3143N&	N	3.000	5.500	5.506	.531	74
2457◀	N	2.125	2.880	2.885	.550	#	*3145	S	1.326	2.226	2.231	.500	#
2465	S	1.680	2.500	2.506	1.535	79	3173	N	1.937	2.686	2.690	.304	48
*2499	S	3.270	3.655	3.660	.500	#	3186¶	S	1.875	3.150	3.146	.930	59
2503▶	N	1.100	1.572	1.578	.308	48	3195¶	S	1.875	3.150	3.146	.930	59
2503N▶	N	1.100	1.572	1.578	.308	48	3199	S	1.250	1.955	1.960	.435	48
2505	S	4.625	6.186	6.192	1.250	89	*3203	S	4.375	5.501	5.506	.562	47
*2505V	V	4.625	6.186	6.192	1.250	89	*3204	S	3.000	4.003	4.008	.468	#
2506&	S	1.558	2.372	2.376	1.500	79	3210	S	2.437	3.624	3.628	.375	49
*2515V	V	3.000	4.376	4.381	.760	#	3214	S	1.365	1.955	1.960	.435	48
*2523	S	2.125	3.125	3.130	.500	41	3227▶	N	1.748	2.623	2.627	.330	83
*2551◀	S	1.187	1.713	1.718	.500	25	*3237◀▶	S	1.399	2.292	2.296	.460	33
2628	H	6.204	7.328	7.336	.562	64	*3241	N	1.178	1.654	1.659	.276	33
*2643N	N	2.500	3.548	3.553	.546	#	*3275	S	4.500	5.501	5.506	.562	47
2655◀	N	1.375	2.244	2.254	1.197	79	*3276	S	6.500	7.501	7.508	.812	#
2658▶	H	1.609	2.435	2.441	.300	75	*3278	V	2.375	3.500	3.505	.730	#
2658V	V	1.609	2.435	2.441	.300	75	3292	S	5.375	6.875	6.882	1.000	89
2674	S	2.875	4.175	4.180	.812	89	*3329	S	1.875	2.875	2.879	.500	#
*2689¶	S	1.875	2.877	2.865	.490	56	*3339	S	2.875	3.876	3.881	.468	44
2689S	S	1.875	2.877	2.865	.490	25	3341◀	H	4.812	5.544	5.552	.535	100
2692▶	N	1.875	2.561	2.565	.528	76	3348★◀▶	S	32,99	51,92	52,02	12,45	47
*2699	S	3.250	6.125	6.149	.500	#			1.299	2.044	2.048	.490	#
*2704	S	4.500	6.305	6.313	.954	#	*3350	N	2.625	3.625	3.630	.600	#
*2756N&	N	2.375	3.875	3.881	1.060	74	3357★&	S	38,00	52,04	52,15	6,35	283
*2757N&	N	2.375	4.498	4.504	1.060	74			1.496	2.049	2.053	.250	#
2791	S	9.000	10.376	10.384	.625	33	*3369	S	4.250	5.125	5.130	.360	#
2792	S	9.910	10.997	11.005	.625	33	3385◀▶	S	3.180	4.180	4.185	.750	74
*2796	S	1.500	2.372	2.376	.350	47	3392★◀▶	S	40,00	55,00	55,17	9,60	47
*2820★	S	48,01	65,07	65,20	12,70	#			1.575	2.165	2.172	.378	#
		1.890	2.562	2.567	.500	#	3393◀	V	2.375	3.000	3.013	.400	32
2822V	V	2.062	3.000	3.005	.375	41	3394▶	H	1.440	2.061	2.075	.315	32

For Illustration and Material Data See Technical Section

Designed For A Specific Application - Not Recommended For General Use ▶ Hydrodynamic Lip Design-CW ◀ Hydrodynamic Lip Design-CCW

◀▶ Hydrodynamic Lip Design-Bidirectional % External Bore & Flanged O.D. ¶ Expandable O.D. § Inside Diameter-Rides On Ball

* The U.S. customer service number is 877-4-TIMKEN. The Canadian customer service numbers are 800-565-4927 (English) and 800-565-0438 (French-Canadian). ★ Metric Seal

Numerical List Size & Type

Part No.	Lip Mat'l	Shaft Size	Hsg. Bore	Seal O.D.	Seal Width	Type/illus.	Part No.	Lip Mat'l	Shaft Size	Hsg. Bore	Seal O.D.	Seal Width	Type/illus.
3000 SERIES (cont.)							3000 SERIES (cont.)						
3395	S	1.437	2.061	2.066	.312	47	*3782	H	5.000	6.001	6.006	.500	#
*3402	S	5.500	7.625	7.631	1.250	#	3783	H	2.875	3.623	3.628	.500	65
3404➔	H	1.996	2.743	2.751	.325	75	3794	S	2.010	2.650	2.655	.363	49
*3428	S	1.500	2.327	2.332	.406	204	*3802	S	.737	1.375	1.382	.312	#
*3438N	N	1.250	2.000	2.004	.437	#	3807	H	6.328	7.329	7.336	.500	64
*3439N	N	1.562	2.375	2.379	.500	#	3813	H	2.625	3.695	3.700	.500	64
*3440V	V	2.625	3.623	3.628	.468	#	*3814N	N	3.500	5.250	5.256	.500	#
*3441V	V	2.875	4.003	4.008	.468	#	3816★&	S	18,00	30,00	30,10	6,70	271
*3447&	S	1.940	2.500	2.505	.250	286			.709	1.181	1.185	.264	
3459★↔	N	40,00	58,00	58,14	9,00	74	*3873	S	1.550	2.686	2.690	.500	#
		1.575	2.283	2.289	.354		3893V	V	3.750	4.750	4.756	.500	45
3476★➔	N	32,00	47,00	47,24	10,00	32	3894V	V	2.500	3.499	3.505	.500	48
		1.260	1.850	1.860	.394		3896➔	S	1.940	2.909	2.914	.520	76
*3492	T	5.000	5.751	5.756	.500	48	3905&	N	3.000	4.938	4.943	.740	76
3492V	V	5.000	5.751	5.756	.500	48	3907★↔	N	30,00	58,00	58,09	9,50	57
*3501V	V	2.420	3.349	3.355	.375	69			1.181	2.283	2.287	.374	
*3502	S	9.477	11.375	11.383	.750	45	3909↔	V	3.625	4.240	4.256	.390	35
*3503%	S	9.375	11.273	11.273	.825	#	3942&	S	2.500	3.226	3.231	.190	284
*3513	S	1.940	2.812	2.816	.400	#	3945↔	N	2.330	3.000	3.005	.400	48
*3517➔	S	1.763	2.409	2.416	.380	47	3946↔	S	1.875	2.750	2.754	.500	86
*3517V➔	V	1.763	2.409	2.416	.380	47	*3948	S	2.201	2.735	2.741	.197	#
3543★↔	H	35,00	54,89	55,04	14,66	57	*3966★	S	45,00	64,00	64,11	16,40	#
		1.378	2.161	2.167	.577				1.772	2.520	2.524	.646	
3553&	S	2.201	2.735	2.741	.197	284	*3967★	S	40,00	52,00	52,12	7,50	#
*3575V	V	3.500	4.376	4.381	.500	#			1.575	2.047	2.052	.295	
3583➔	H	1.748	3.229	3.238	.335	83	*3983↔	S	1.618	2.574	2.579	.460	47
*3590	N	3.346	4.135	4.148	.465	#	*3985★	S	45,00	65,00	65,10	5,00	#
3591	N	2.750	5.501	5.506	1.266	90			1.772	2.559	2.563	.197	
3592	N	3.000	5.501	5.506	1.266	90	4000 SERIES						
*3594	S	8.125	9.371	9.379	.425	#	*4012	S	2.875	4.003	4.008	.250	#
3604➔	V	1.812	2.777	2.783	.575	86	4019N↔	N	2.432	3.070	3.075	.227	47
3606★↔	N	47,00	69,00	69,14	10,10	7S	*4020	S	1.687	2.875	2.885	.622	#
		1.850	2.717	2.722	.398		*4026	N	.875	1.575	1.584	.669	#
*3607★↔	N	30,00	58,00	63,50	13,90	57	*4035N	N	2.937	4.939	4.944	1.250	90
		1.181	2.283	2.500	.547		*4036N	N	2.250	4.064	4.069	1.092	90
*3609★	S	40,00	52,00	52,12	8,00	47	*4037	N	2.625	4.064	4.069	.990	#
		1.575	2.047	2.052	.315		*4038N	N	2.375	4.064	4.069	1.092	90
3618➔	S	1.812	2.623	2.627	.615	86	4040N★↔	N	35,00	53,26	53,67	7,75	32
*3620	S	5.875	7.125	7.133	.500	#			1.378	2.097	2.113	.305	
3622↔	S	1.652	2.518	2.524	.394	74	*4048N	N	5.000	7.500	7.507	.875	#
*3623	V	2.937	4.003	4.008	.697	#	*4051	S	1.875	2.901	2.907	.315	#
*3624	S	8.000	9.500	9.508	.860	#	*4052★➔	N	35,00	52,00	52,13	8,00	47
*3633	S	2.000	2.561	2.566	.220	#			1.378	2.047	2.052	.315	
3638➔	N	1.125	1.624	1.628	.190	48	4072➔	N	1.787	3.229	3.238	.335	83
3655★➔	N	35,00	52,00	52,35	7,75	32	4072N➔	N	1.787	3.229	3.238	.335	83
		1.378	2.047	2.061	.305		*4075	H	1.771	2.500	2.504	.359	#
3667&	S	.690	.997	1.003	.295	271	*4084	S	.739	1.250	1.254	.407	#
							4099&	S	1.673	2.162	2.166	.285	287
3677&	S	1.500	1.989	1.993	.285	287	*4101	S	2.496	3.243	3.248	.420	#
*3680	S	1.500	2.374	2.378	.710	#	4122	S	2.882	3.431	3.436	.291	47
*3689★	V	233,00	272,00	272,26	15,88	#	*4127N	N	.590	.997	1.006	.200	34
		9.173	10.709	10.719	.625		4131&	S	2.312	3.000	3.004	.375	287
3698↔	H	2.988	3.740	3.748	.374	32	*4139	S	4.750	6.619	6.625	1.150	#
*3700➔	S	1.812	3.000	3.005	.455	86	4141	N	1.574	2.676	2.683	.500	#
*3707	S	2.500	3.500	3.505	.540	47	4143	N	1.630	2.415	2.441	.492	#
3723★	S	55,00	70,00	70,10	10,26	66	*4143N	N	2.938	4.003	4.008	.619	#
		2.165	2.756	2.760	.404		*4144V	V	5.000	6.997	7.003	1.093	90
3732S➔	S	1.062	1.575	1.581	.250	48	4148&	S	2.000	2.623	2.627	.280	286
3743★	S	50,00	65,00	65,10	14,00	66	*4150N★↔	N	35,00	56,90	57,05	18,64	#
		1.969	2.559	2.563	.551				1.378	2.240	2.246	.734	
3747↔	S	1.703	3.084	3.090	.500	69	*4155	N	2.375	3.350	3.355	.625	#
							*4156H	H	3.125	4.125	4.130	.500	#
*3757V	V	.625	1.124	1.129	.250	35	4160	S	2.420	3.000	3.005	.382	281
*3765➔	H	2.367	3.366	3.374	.257	48	4162%	S	2.062	2.937	3.034	.340	200E
3771★➔	H	35,00	50,00	50,34	7,00	35	*4165↔	V	6.107	6.750	6.757	.500	#
		1.378	1.969	1.982	.276		*4165V↔	V	6.107	6.750	6.757	.500	#
3772★↔	H	88,00	108,00	108,36	11,10	35	*4173	N	3.574	4.756	4.761	.550	#
		3.465	4.252	4.266	.437								
3774★➔	H	42,00	56,00	56,34	7,00	35							
		1.654	2.205	2.218	.276								
*3776S	S	7.908	9.528	9.535	.960	#							

NUMERICAL SECTION

For Illustration and Material Data See Technical Section

Designed For A Specific Application - Not Recommended For General Use ➔ Hydrodynamic Lip Design-CW ↔ Hydrodynamic Lip Design-CCW

↔ External Bore & Flanged O.D.

* The U.S. customer service number is 877-4-TIMKEN. The Canadian customer service numbers are 800-565-4927 (English) and 800-565-0438 (French-Canadian). ★ Metric Seal

Part No.	Lip Mat'l	Shaft Size	Hsg. Bore	Seal O.D.	Seal Width	Type/illus.	Part No.	Lip Mat'l	Shaft Size	Hsg. Bore	Seal O.D.	Seal Width	Type/illus.
4000 SERIES (cont.)							4000 SERIES (cont.)						
4175★	S	40,00	52,00	52,22	9,00	#	*4596★	N	32,00	43,00	43,28	4,00	35
		1.575	2.047	2.056	.354				1.260	1.693	1.704	.157	
*4176	S	2.812	4.176	4.181	.551	#	*4596V	V	3.250	-	-	.656	#
*4185	S	2.420	3.552	3.558	.336	#	4598➔	N	2.000	2.878	2.882	.340	83
4189H&	H	1.996	3.111	3.120	.344	75	*4599H★➔	H	60,00	85,50	85,70	7,00	#
*4195	S	2.000	2.562	2.566	.225	#			2.362	3.366	3.374	.276	
*4203➔➔	S	3.655	4.620	4.631	.270	#	*4602V	V	6.142	8.000	8.007	.658	#
*4235%	S	4.000	5.755	5.822	.562	#	*4603V	V	6.772	9.000	9.007	.658	#
4244➔➔	S	1.552	2.750	2.755	.415	72	*4610	S	4.687	6.850	6.865	.551	35
4249&	S	1.809	2.361	2.365	.380	287	4613N➔➔	N	1.377	2.874	2.881	.693	57
4250➔➔	S	2.500	3.303	3.307	.465	74	4614N➔➔	N	1.377	2.162	2.167	.744	87
							4615V★➔	V	42,00	67,00	67,13	7,16	83
*4269	S	4.000	5.696	5.700	.850	74			1.654	2.638	2.643	.282	
*4273	S	16.250	18.000	18.010	.750	#	*4616V★	V	16,00	44,75	44,96	9,00	#
4278&	V	1.812	3.091	3.096	.485	86			.630	1.762	1.770	.354	
*4291	S	4.375	5.375	-	.500	#	*4624N&	N	2.503	3.629	3.633	.900	86
4291V%	V	4.375	5.375	5.425	.500	#	4624V&	V	2.503	3.629	3.633	.900	86
*4302➔➔	S	1.750	3.036	3.040	.500	47	4635	H	2.141	3.484	3.493	.622	#
4307V★➔	V	76,00	92,00	92,28	9,50	32	4635V	V	2.141	3.484	3.493	.329	#
		2.992	3.622	3.633	.374		*4635H➔	H	2.141	3.484	3.493	.329	#
*4310	S	1.875	2.803	2.808	.433	285	4638N	N	1.375	1.982	1.989	.192	#
4333N➔	N	1.886	2.699	2.704	.350	79	*4654N➔	N	2.000	2.995	3.003	.438	#
*4340V	V	3.875	4.750	4.756	.500	#	*4655N➔	N	1.375	1.982	1.989	.312	48
							*4662V★	V	16,00	27,23	27,33	9,00	47
*4346➔	S	1.037	1.575	1.579	.333	#			.630	1.072	1.076	.354	
4353	V	7.375	9.615	9.622	.979	#	*4670N➔	N	2.503	3.500	3.504	.450	#
*4354V	V	6.625	9.615	9.622	.979	#	4674N➔➔	N	1.605	2.795	2.804	.364	#
4359V★➔	V	95,00	115,00	115,31	12,50	32	4701	N	.408	1.004	.102	.208	49
		3.740	4.528	4.540	.492		4701N	N	.408	1.004	1.008	.208	49
4370N➔	N	1.503	2.376	2.383	.420	88	*4713V➔➔	V	4.000	4.999	5.004	.469	#
*4400★	N	18,00	28,00	28,20	6,00	34	*4738N➔➔	N	1.190	1.969	1.975	.261	48
		.709	1.102	1.110	.236		*4738V➔➔	V	1.190	1.969	1.975	.312	48
*4401★	N	18,00	32,00	32,23	12,70	#	4739	S	2.000	2.561	2.565	.250	282
		.709	1.260	1.269	.500		4740	S	2.180	2.999	3.004	.250	282
*4403	S	2.000	2.745	2.749	.230	#	4741➔	N	2.200	3.022	3.028	.422	#
*4409N	N	3.500	5.906	7.500	.600	#	*4748V➔➔	V	1.190	1.889	1.892	.651	#
*4419	N	1.375	2.373	2.378	.500	#	4762N➔➔	N	1.618	2.841	2.849	.500	74
							4763S	S	1.625	2.562	2.566	.437	#
*4431	S	1.875	3.160	3.165	.530	72	4764➔	N	1.598	2.476	2.483	.420	86
*4431N	N	1.875	3.160	3.165	.530	72	4765➔	N	1.598	2.476	2.483	.350	79
*4431V	V	1.875	3.160	3.165	.530	72	*4766S	S	10.820	12.000	12.015	.590	#
*4434	S	1.552	3.160	3.165	.530	72	*4771S➔➔	S	1.750	2.436	2.441	.300	#
*4434N	N	1.552	3.160	3.165	.530	72	*4789S★➔➔	S	90,00	115,00	115,14	17,12	#
4458V	V	.984	1.499	1.504	.250	#			3.543	4.528	4.533	.674	
4462N	N	.000	2.097	2.109	.938	#	4795V➔➔	V	1.399	2.482	2.750	.310	74
*4470V	V	3.125	4.003	4.008	.500	#	4810V➔	V	3.003	3.751	3.761	.570	#
*4489V	V	3.750	4.499	4.506	.468	96							
*4490	V	2.750	4.003	4.008	.500	#	4813V➔	V	1.178	2.447	2.452	.500	86
							4857➔➔	V	1.400	2.282	2.288	.547	86
4491	V	3.500	4.501	4.506	.500	#	4874N➔	N	2.748	3.543	3.555	.591	#
4492	V	2.750	3.543	3.548	.500	#	4875N➔	N	3.250	4.249	4.282	.650	#
*4494V➔➔	V	5.187	6.500	6.515	.625	#	4876N➔	N	2.748	5.500	5.512	.850	#
4503N➔	N	1.886	2.750	2.765	1.375	79	4889	V	1.562	2.833	2.840	.493	#
*4512➔➔	N	2.375	4.498	4.504	.860	#	4890	V	1.562	2.873	2.880	.493	#
4525V	V	2.500	4.035	4.040	.634	87	4898★	S	52,00	66,00	66,12	7,50	66
4528N★➔	N	48,00	65,00	65,15	24,50	66			2.047	2.598	2.603	.295	
		1.890	2.559	2.565	.965		4899★	S	56,00	75,00	75,13	6,50	66
4529N➔	N	1.375	2.047	2.052	.330	68			2.205	2.953	2.958	.256	
4530➔	N	1.502	2.126	2.132	.492	96	4901★➔➔	N	35,00	62,00	62,28	8,00	40
4532N➔	N	1.375	3.542	3.549	.397	93			1.378	2.441	2.452	.315	
							4904★	S	49,00	62,00	62,15	8,00	66
4539V	V	2.367	3.366	3.374	.257	75			1.929	2.441	2.447	.315	
4539H➔	H	2.367	3.366	3.374	.257	75	*4905★	S	56,00	76,00	76,15	11,50	72
4543V➔	V	3.250	4.249	4.260	.662	#			2.205	2.992	2.998	.453	
4544V➔	V	3.253	5.500	5.511	.630	#	4918	N	1.787	3.228	3.238	.335	83
4561V➔	V	2.503	3.428	3.439	.709	#	4934	N	1.503	2.374	2.379	.374	79
4562V➔	V	3.003	4.937	4.948	.662	#	*4936V➔	V	3.750	4.751	4.756	.500	#
4563V➔	V	2.938	3.937	3.947	.552	#	4941V	V	1.552	3.160	3.165	.608	#
4564V➔	V	2.748	3.876	3.886	.552	#	4950	N	1.748	2.619	2.627	.330	88
4577	N	1.874	2.676	2.682	.410	#	4981V	V	1.685	2.500	2.506	.421	#
4583➔	N	1.502	2.377	2.381	.374	86							
*4591	S	4.647	6.309	6.318	.625	#							

For Illustration and Material Data See Technical Section

➔ Designed For A Specific Application - Not Recommended For General Use ➔ Hydrodynamic Lip Design-CW ➔ Hydrodynamic Lip Design-CCW

➔➔ Hydrodynamic Lip Design-Bidirectional % External Bore & Flanged O.D.

* The U.S. customer service number is 877-4-TIMKEN. The Canadian customer service numbers are 800-565-4927 (English) and 800-565-0438 (French-Canadian). ★ Metric Seal

Numerical List Size & Type

Part No.	Lip Mat'l	Shaft Size	Hsg. Bore	Seal O.D.	Seal Width	Type/illus.	Part No.	Lip Mat'l	Shaft Size	Hsg. Bore	Seal O.D.	Seal Width	Type/illus.	
4000 SERIES (cont.)							5000 SERIES (cont.)							
4989	S	1.437	2.441	2.445	.374	#	5185							
4990★	S	52,00	68,00	68,28	7,00	281	5188							
		2.047	2.677	2.688	.276		5189							
5000 SERIES														
5000		See Kit Section						5199						
5001		See Kit Section						5200						
5008		See Kit Section						5201						
5010		See Kit Section						5202						
5015		See Kit Section						5203						
5026		See Kit Section						5204						
5028		See Kit Section						5205						
5033		See Kit Section						5206						
5039		See Kit Section						5207						
5045		See Kit Section						5208						
5065		See Kit Section						5210★⑤	N	33,00	89,90	89,60	40,00	35
5066		See Kit Section								1.299	3.539	3.528	1.575	
5068		See Kit Section						5227						
5070	F	1.803	2.965	2.969	.250	29	5228							
5071		See Kit Section						5229						
5072		See Kit Section						5273						
5073		See Kit Section						5274						
5075		See Kit Section						5276						
5076		See Kit Section						5277						
5077		See Kit Section						5278						
5079		See Kit Section						5279						
5082		See Kit Section						5287						
5084		See Kit Section						5288←	T	2.375	3.000	3.013	.394	#
5089		See Kit Section						5290						
5092		See Kit Section						5302						
5095		See Kit Section						5313						
5100		See Kit Section						5327						
5106		See Kit Section						5329						
5108		See Kit Section						5330						
5109	S	2.496	3.245	3.248	.485	#	5331							
5111		See Kit Section						5332						
5111S	S	.000	.000	.000	.000	#	5336							
5112		See Kit Section						5346						
5112S	S	.000	.000	.000	.000	#	5347							
5113	S	2.000	2.745	2.749	.230	203	5361							
*5114	S	1.687	2.560	2.579	.375	#	5364							
5115→	S	1.500	2.249	2.254	.250	47	5373							
5116		See Kit Section						5376						
5117		See Kit Section						5377						
5118		See Kit Section						5381						
5119	S	2.375	3.265	3.270	.495	49	5382							
5120		See Kit Section						5383						
5121	S	1.940	2.622	2.626	.580	281	5384							
5123	S	2.562	3.090	3.095	.375	280	5388							
5124	S	1.326	2.226	2.247	.500	48	5390							
*5125&	S	2.000	2.623	2.627	.635	#	5397							
5126&	S	1.875	2.813	2.817	.500	74	5399							
5128N	N	3.375	3.948	3.955	.375	32	5401							
5131←→	S	1.318	2.280	2.286	.906	#	5403							
5133	V	1.812	2.562	2.566	.312	48	5405							
5146		See Kit Section						5406						
5147		See Kit Section						5408						
5160		See Kit Section						5410						
5161		See Kit Section						5414						
5163		See Kit Section						5419						
5164		See Kit Section						5422						
5166		See Kit Section						5424						
5167		See Kit Section						5436						
5168		See Kit Section						5441						
5169		See Kit Section						5443						
5170		See Kit Section						5452						
5172		See Kit Section						5453						
5175		See Kit Section						5458						
							5460							
							5461							

NUMERICAL SECTION

For Illustration and Material Data See Technical Section

Designed For A Specific Application - Not Recommended For General Use → Hydrodynamic Lip Design-CW ← Hydrodynamic Lip Design-CCW

↔ Hydrodynamic Lip Design-Bidirectional © Seal & Installation Sleeve & Flanged O.D.

* The U.S. customer service number is 877-4-TIMKEN. The Canadian customer service numbers are 800-565-4927 (English) and 800-565-0438 (French-Canadian). ★ Metric Seal

Part No.	Lip Mat'l	Shaft Size	Hsg. Bore	Seal O.D.	Seal Width	Type/illus.	Part No.	Lip Mat'l	Shaft Size	Hsg. Bore	Seal O.D.	Seal Width	Type/illus.	
5000 SERIES (cont.)							5000 SERIES (cont.)							
5462		See Kit Section						5686		See Kit Section				
5465		See Kit Section						5690		See Kit Section				
5471		See Kit Section						5694		See Kit Section				
5472		See Kit Section						5695		See Kit Section				
5473		See Kit Section						5696		See Kit Section				
5475		See Kit Section						5697		See Kit Section				
5476		See Kit Section						5698		See Kit Section				
5479		See Kit Section						5699		See Kit Section				
5481		See Kit Section						5700		See Kit Section				
5483		See Kit Section						5711	S	1.750	2.983	2.987	.438	41
5487		See Kit Section						*5721	T	5.000	5.999	6.006	.717	90
5488		See Kit Section						5722		See Kit Section				
5494		See Kit Section						5727	F	1.625	2.722	2.727	.406	205
5495		See Kit Section						5751	L	3.125	4.562	4.567	1.198	34
5499		See Kit Section						5756	F	2.062	3.151	3.156	.240	29
5509		See Kit Section						5778	N	1.552	3.160	3.165	.530	72
5518		See Kit Section						5778V	V	1.552	3.160	3.165	.645	72
5520		See Kit Section						5796	L	1.562	2.686	2.690	.375	201
5521		See Kit Section						5797	L	2.031	-	4.156	.781	#
5526		See Kit Section						5827	L	1.750	2.750	2.754	.484	201
5527		See Kit Section						5836	L	1.734	2.726	2.730	.500	201
5531		See Kit Section						5857	F	1.000	1.499	1.503	.312	29
5532		See Kit Section						5865	L	2.000	2.750	2.754	.187	4L
5537		See Kit Section						5872S	S	1.375	2.000	2.004	.320	45
5538		See Kit Section						5877	L	2.062	2.842	2.846	.450	5L
5550		See Kit Section						*5921	L	2.250	4.010	4.015	.843	1L
5551		See Kit Section						5924	L	2.312	3.313	3.318	.375	4L
5563		See Kit Section						*5957S	S	2.470	3.063	3.187	.510	273
5567		See Kit Section						*5961	L	3.500	5.750	5.756	.875	91
5573		See Kit Section						5965%	L	3.500	4.437	4.437	.437	8L
5575		See Kit Section						*5970	F	1.875	2.995	3.000	.375	29
5576		See Kit Section						5976S	S	.875	1.245	1.256	.187	34
5578		See Kit Section						6000 SERIES						
5581		See Kit Section						*6050	S	3.125	4.125	4.130	1.750	33
5584		See Kit Section						6064	F	1.875	2.965	2.969	.250	29
5588		See Kit Section						6074	F	1.937	3.622	3.627	.375	29
5589		See Kit Section						6077	S	2.062	-	4.735	.468	#
5591		See Kit Section						*6081	F	2.625	3.350	3.355	.453	29
5592		See Kit Section						*6082	F	2.250	3.061	3.066	.437	29
5593		See Kit Section						*6084	L	1.687	2.279	2.283	.500	5L
5594		See Kit Section						6090S	S	2.000	2.630	2.750	.562	273
5596		See Kit Section						6101	F	1.718	2.996	3.000	.375	29
5599		See Kit Section						*6110	F	1.875	2.718	2.722	.468	29
5601		See Kit Section						6127	L	1.875	4.010	4.014	1.000	31
5602		See Kit Section						6163S	S	2.000	2.875	2.879	.703	21
5603		See Kit Section						*6180	S	2.125	3.180	3.184	.781	#
5604		See Kit Section						6186	L	2.187	3.189	3.194	.718	1L
5609		See Kit Section						6200	L	1.375	2.250	2.252	1.062	9L
5613		See Kit Section						*6214	L	2.375	3.481	3.486	.663	3L
5615		See Kit Section						6241S	S	1.375	2.437	2.441	.250	48
5624		See Kit Section						*6245S	S	3.500	4.600	6.625	.531	#
5625		See Kit Section						6270	S	3.937	5.371	5.377	.906	21
5629		See Kit Section						6283S	S	1.610	2.500	2.531	.300	26
5632		See Kit Section						*6309	S	2.187	4.420	4.520	.687	39
5634		See Kit Section						6312%	L	1.500	2.187	2.187	.500	8L
5637		See Kit Section						6324S	S	.968	1.500	1.507	.187	34
5643		See Kit Section						6329S	S	4.687	5.751	5.756	.750	7S
5645		See Kit Section						6336S%	S	1.562	2.684	2.701	.250	26
5649		See Kit Section						*6340	S	1.375	2.000	2.004	.375	45
5650		See Kit Section						*6356	F	1.625	2.448	2.502	.250	29
5657		See Kit Section						6357S	S	.796	1.499	1.503	.625	92
5665		See Kit Section						6358◄►	S	3.187	4.625	4.630	.442	47
5666		See Kit Section						6370N★	N	32.99	46.43	46.53	9.53	33
5667		See Kit Section								1.299	1.828	1.832	.375	
5682		See Kit Section						6380	F	2.125	3.436	3.440	.625	29
*5683++	S	1.250	1.752	1.756	.300	32	*6385	F	.875	1.575	1.750	.281	29	
*5684++	S	1.250	1.752	1.756	.399	32	6389	F	2.125	3.126	3.131	.484	29	
5685		See Kit Section												

For Illustration and Material Data See Technical Section

Designed For A Specific Application - Not Recommended For General Use ◄► Hydrodynamic Lip Design-Bidirectional ++ Not Sold Separately % External Bore

* The U.S. customer service number is 877-4-TIMKEN. The Canadian customer service numbers are 800-565-4927 (English) and 800-565-0438 (French-Canadian). ★ Metric Seal

Numerical List Size & Type

Part No.	Lip Mat'l	Shaft Size	Hsg. Bore	Seal O.D.	Seal Width	Type/illus.	Part No.	Lip Mat'l	Shaft Size	Hsg. Bore	Seal O.D.	Seal Width	Type/illus.
6000 SERIES (cont.)							6000 SERIES (cont.)						
*6402S	S	1.812	2.250	2.258	.312	35	*6897	S	3.125	—	8.250	.925	#
*6405	S	2.625	—	5.030	.200	#	6906S	S	1.250	1.968	1.972	.468	204
6426	L	1.500	2.502	2.506	.375	4L	*6910S	S	1.880	2.398	2.414	.250	35
*6442S	S	3.000	3.752	3.760	.375	35	*6922	S	2.192	—	3.437	.703	#
6460S	S	1.875	2.758	2.762	.500	41	6930	L	1.812	4.123	4.128	.746	21
*6465B++	F	2.000	2.651	4.562	.562	#	6936S	S	1.763	2.412	2.416	.375	45
*6469	F	2.000	—	4.562	.562	#	6949S	S	1.750	2.875	2.880	.500	274
*6477S	S	3.226	—	8.250	.518	#	*6952S★	S	35.00	63.45	63.55	7.92	#
*6479	S	2.860	—	6.460	.520	#							
*6480	S	3.125	—	7.500	.531	#	6954S	S	2.062	3.000	3.005	.310	44
							*6957	N	2.129	2.762	2.766	.250	48
*6481	N	3.125	7.000	8.250	1.003	51							
6481S	S	3.125	7.000	8.250	1.003	51	*6959	S	2.375	4.310	5.880	.331	#
*6495S	S	3.250	4.125	4.130	.937	9S	6960	L	1.830	2.570	2.574	.250	4L
*6505S	S	3.125	5.778	8.125	.571	#	*6966S	S	1.437	2.437	2.441	.250	44
6522S	S	.984	1.500	1.508	.410	34	*6971S	S	1.915	2.533	2.537	.250	33
*6532S	S	2.687	3.251	3.256	.578	273	*6982S	S	2.625	4.252	4.256	1.156	#
*6542% 6545	S F	2.687 1.500	3.062 2.062	3.062 2.066	.187 .250	36 21	6985	F	1.875	2.628	2.633	.347	29
6547	L	1.875	2.996	3.001	.375	201	6988H	H	1.937	2.686	2.690	.500	33
6565N	N	4.125	4.999	5.004	.468	41							
6575S	S	2.474	3.543	3.548	.285	200	7006S	S	5.500	6.997	7.004	1.250	43
6584S&	S	3.250	4.500	4.507	.718	74	7013S	S	.750	1.311	1.315	.312	25
6590S	S	2.093	2.716	2.721	.406	204	7014S	S	.875	1.254	1.260	.205	4S
6597S	S	1.375	1.829	1.837	.187	34	*7020	S	1.915	2.532	2.548	.250	#
*6603	F	3.125	4.562	4.567	.687	205	*7021S	S	3.000	4.003	4.008	.375	48
6612S	S	3.500	5.250	5.258	.562	#	7022S	S	1.687	2.328	2.332	.531	276
*6622	S	1.375	1.828	1.839	.255	34	7028	S	.750	1.375	1.379	.312	25
6626S	S	2.125	2.875	2.879	.312	4S	*7028V	V	.750	1.375	1.379	.312	25
6635S	S	4.375	6.064	6.071	.625	45	7038SA	S	1.687	2.502	2.506	.582	41
6636S	S	2.187	3.187	3.194	.687	35	*7042S%	S	4.500	5.751	5.870	.250	#
6638S	S	3.500	4.841	4.848	.875	#	7044NA	S	1.812	3.000	3.005	.455	86
6643S	S	2.750	—	6.200	.700	52	*7068★%	S	57.00	57.12	82.55	7.47	200E
6644	L	3.125	4.562	4.567	.760	5L							
6649	S	3.125	—	8.250	.571	52	7105S	S	1.875	3.375	4.812	.312	#
6663S	S	4.750	6.618	6.625	1.141	89	*7107A	F	1.875	2.720	2.725	.235	29
6668S	S	1.375	1.875	1.878	.187	33	7131	S	8.000	11.624	11.632	.750	#
*6690	S	4.937	6.250	6.256	—	#	*7141	S	2.058	2.676	2.681	.255	200
*6701	S	4.740	—	7.575	.410	#	7154S	S	2.531	4.540	6.125	.500	#
*6701SS0	S	4.740	—	7.625	.410	#	*7183%	S	4.000	4.750	4.750	.500	#
6703S	S	1.750	2.250	2.258	.187	35	*7184%	S	3.738	3.750	4.500	.500	#
							7186S	S	1.812	2.718	2.722	.270	200
6704	L	1.125	1.874	1.878	.625	1L							
6712NA	N	1.875	2.758	2.762	.425	74	*7187S	S	2.430	—	3.031	.380	#
*6754S	S	3.125	4.049	4.054	.437	45	7188S	S	.625	.999	1.003	.250	33
6759S	S	1.500	1.997	2.001	.531	1S	7208S%	S	3.250	4.500	4.600	.315	200E
6760S	S	1.375	2.062	2.072	.250	35	7214	S	.750	1.031	1.035	.313	49
*6764S	S	3.125	—	8.250	.500	#	*7215	L	1.875	2.812	3.000	.500	5L
6780S	S	2.875	4.125	4.130	.812	21	7216&	L	1.875	3.105	3.110	.500	47
6781	L	1.796	2.725	2.730	.500	201	*7230	S	3.750	5.375	5.381	.750	#
6785★	F	62.99	84.07	84.23	12.70	35	*7234	S	4.250	5.250	5.260	.590	#
		2.480	3.310	3.316	.500		7235S	S	1.473	1.971	1.979	.562	32
*6792	N	.625	1.000	1.004	.156	4S	7245	L	1.375	2.502	2.506	.250	4L
6808N	N	1.875	3.160	3.165	.562	45	7300S	N	1.685	2.500	2.506	1.250	79
6815&	S	1.940	2.500	2.505	.250	286	7338N&	N	3.000	3.686	3.702	.523	56
6818	S	1.739	3.000	3.008	.500	71	7354N%	N	4.375	5.373	5.500	.570	8S
6832S	S	1.125	1.935	1.942	.625	204	7354V%	V	4.375	5.373	5.500	.570	8S
6835S	S	.750	1.250	1.254	.312	33	*7370	S	1.375	2.835	3.020	.390	48
6840S	S	1.730	2.336	2.340	.250	4S	7378	L	5.062	6.994	7.004	1.312	5L
*6846S	S	2.640	4.450	4.490	.250	#	7381S	S	1.687	2.684	2.706	.250	24
6847S	S	1.000	1.250	1.254	.536	#	*7387	S	11.500	12.495	12.535	.250	#
*6855N	N	1.000	2.812	2.817	1.156	1S	*7390%	S	4.000	4.104	4.906	.821	#
6859S	S	1.247	1.687	1.691	.312	33	*7392S	S	1.153	1.686	1.690	.437	#
*6860S	S	2.500	3.350	3.355	.718	#	7399S	S	.625	.937	.945	.187	24
6863S	S	.437	.999	1.007	.250	35	*7412H	H	1.250	1.750	1.754	.250	48
6864S	S	4.050	5.501	5.506	.671	45	7412S	S	1.250	1.750	1.754	.250	48
6872S	S	5.500	6.312	6.316	1.250	47	*7413	N	1.500	2.377	2.381	.470	71
6873S	S	5.500	6.500	6.505	1.125	43	*7456N&	N	1.603	2.282	2.292	.530	94
6879H	H	2.125	2.875	2.879	.375	33	7457N	N	1.656	2.623	2.627	.455	1S
6886S	S	4.625	6.622	6.629	1.093	21	7486S	S	1.750	2.374	2.381	.437	35
							7495S	S	1.375	2.250	2.254	.713	61

NUMERICAL SECTION

For Illustration and Material Data See Technical Section

% Designed For A Specific Application - Not Recommended For General Use ➔ Hydrodynamic Lip Design-CW ◀ Hydrodynamic Lip Design-CCW ++ Not Sold Separately

External Bore & Flanged O.D.

* The U.S. customer service number is 877-4-TIMKEN. The Canadian customer service numbers are 800-565-4927 (English) and 800-565-0438 (French-Canadian). ★ Metric Seal

Part No.	Lip Mat'l	Shaft Size	Hsg. Bore	Seal O.D.	Seal Width	Type/illus.	Part No.	Lip Mat'l	Shaft Size	Hsg. Bore	Seal O.D.	Seal Width	Type/illus.
7000 SERIES (cont.)							8000 SERIES (cont.)						
*7506N	N	.500	.688	.696	.100	24	8165	H	1.875	3.000	3.005	.625	#
*7506S	S	.500	.688	.696	.100	24	8181NA➔	S	1.812	2.623	2.627	.455	74
*7512S	S	2.500	4.500	6.125	.400	51	*8228	S	7.927	9.174	9.182	.687	#
7512SSO	S	2.500	4.500	6.125	.400	51	*8229	S	3.312	4.249	4.254	.750	#
*7516	S	6.375	8.000	8.008	1.060	#	8243	F	2.125	3.146	3.153	.500	#
*7525N	N	1.562	2.875	3.062	.468	47	*8250	N	1.843	2.672	2.676	.187	#
7537S	S	1.500	2.062	2.066	.240	24	8293S	S	1.238	2.250	2.254	.500	48
*7564	S	10.500	12.500	12.508	1.234	39	8312&	S	2.136	2.902	2.909	.310	272
7568	H	2.222	3.543	3.548	.760	#	8314	S	1.796	2.524	2.800	.599	#
7581H&	H	2.500	3.500	3.505	.500	48	8316★➔	N	51.00	70.00	70.28	11.00	32
7600S	S	1.825	2.750	2.754	.468	47			2.008	2.756	2.767	.433	
7607	F	1.730	2.336	2.340	.280	#	*8338	S	3.750	5.000	5.004	.620	39
*7679	S	1.875	2.400	2.405	.240	44	*8346	S	1.500	2.385	2.389	.320	#
7686S	S	1.250	2.250	2.254	.435	25	8362	S	1.875	2.315	2.321	.203	33
7687S★	S	35.00	63.50	63.83	11.05	#	*8369S	S	3.125	-	-	.571	#
		1.378	2.500	2.513	.435		8370S	S	3.797	4.501	4.506	.250	4S
7692S◀	S	1.500	2.372	2.376	1.458	79	*8398	S	1.937	3.381	3.376	.667	39
7700S	S	4.625	6.622	6.629	1.093	21	8421S	S	1.562	2.062	2.066	.250	33
*7708	S	.562	1.234	1.238	.437	71	*8425	S	3.750	4.624	4.630	.535	#
7715S	S	1.372	2.250	2.515	1.197	#	*8427	S	3.000	4.002	4.625	.884	#
*7729	S	1.730	2.758	2.762	.882	39	8429S	S	1.247	-	2.633	.480	#
*7731	S	1.750	2.502	2.506	.750	2S	8430S	S	2.125	3.000	3.005	.312	49
*7738	S	.540	1.219	1.213	.187	#	8460N&	N	1.739	2.812	3.270	.593	74
*7743	S	5.750	6.500	6.510	.500	#	*8473S	S	1.830	2.570	2.574	.250	29
*7747	S	7.125	8.494	8.501	1.062	47	*8475	S	4.000	5.250	5.256	.625	39
7750	S	.750	1.124	1.128	.188	48	8477S	S	1.618	2.531	2.535	.750	48
7751H	H	1.968	2.686	2.690	.370	33	*8480	S	3.557	4.530	4.530	.320	#
*7769	S	1.375	2.437	2.441	.250	48	*8481%	S	4.062	5.035	5.197	.320	46
*7773N	N	2.500	3.500	3.505	.687	#	*8482	S	4.550	5.500	5.662	.350	#
*7774N	N	3.000	4.003	4.008	.640	#	8515N&	N	1.875	2.812	2.816	.770	74
*7775N	N	3.375	4.626	4.631	.687	#	8516N	N	1.687	2.623	2.627	.437	47
*7776N	N	3.750	4.751	4.756	.750	#	8521S%	S	1.873	2.684	2.684	.544	200E
7780	L	2.667	3.751	3.756	.500	4L	*8547	V	1.687	2.624	2.628	.609	#
7780N	L	2.667	3.751	3.756	.500	4L	*8547H	H	1.687	2.624	2.628	.609	#
7781S	S	1.250	1.983	1.987	.250	203	*8548H	H	4.625	6.000	7.125	.987	#
*7782N	N	1.875	2.560	2.565	.406	48	8549S&	S	1.372	-	4.560	.480	#
7790H	H	2.125	3.193	3.198	.812	#	*8557	S	4.125	5.375	5.585	1.460	39
7834	L	1.750	2.502	2.506	.680	#	*8561	S	2.625	3.531	3.536	.812	2S
7840S	S	.875	1.249	1.254	.187	31	*8562	S	7.718	9.186	9.191	.875	#
*7843	S	3.000	5.501	5.507	.312	#	*8571	S	2.250	3.250	3.256	.625	#
*7844	S	3.000	4.125	4.130	.312	#	8594S	S	1.350	2.571	2.575	.706	62
7866S	S	4.875	6.375	6.625	.500	75	8597S	S	1.491	2.191	2.195	.250	48
7886S	S	1.500	2.437	2.441	.250	48	8609	S	.812	1.250	1.254	.254	47
7896S	S	3.110	-	5.750	.375	51	8610➔	S	1.521	2.656	2.660	.424	74
7929S	S	.742	1.063	1.067	.187	33	8611N	S	1.521	2.656	2.660	.594	74
7934S	S	1.875	2.400	2.405	.240	204	8620N	N	1.645	2.656	2.660	.406	47
7937N	N	2.250	3.061	3.066	.500	41	8622&	S	1.940	2.813	2.817	.428	#
7941	S	1.125	1.562	1.566	.220	44	*8632S	S	1.873	2.878	3.250	.875	#
*7951	S	2.125	3.125	3.130	.593	41	8635S	S	5.500	7.624	7.631	1.250	21
*7955	S	3.500	4.875	4.881	.925	39	*8636	S	2.437	4.000	4.055	1.093	#
*7972S	S	12.000	14.000	14.010	1.000	45	8650S	S	2.125	2.996	3.001	.687	1L
7994S	S	1.562	2.062	2.066	.200	44	8660L**	L	1.399	2.292	2.296	.500	5L
							8660S◀➔	S	1.399	2.292	2.296	.460	48
							*8662	S	5.812	7.125	7.132	.625	35
							*8669	S	1.910	2.760	2.760	.070	#
*8020S	S	2.625	3.749	3.755	.586	41	*8673	S	1.437	2.500	2.508	.687	25
8059S	S	.968	1.686	1.690	.312	25	8676S	S	1.375	-	4.582	.259	54
*8073	N	1.603	2.375	2.379	.187	#	8695L**	L	1.550	2.686	2.690	.500	5L
*8084N	N	1.906	3.189	3.194	.406	45	8695S◀➔	S	1.550	2.686	2.690	.500	47
*8091	S	6.000	8.187	8.194	1.250	#	8704S	S	1.893	2.434	2.438	.250	33
*8097%	S	1.476	1.493	2.447	.620	39	8705S	S	1.734	2.400	2.405	.230	277
*8120	S	2.310	2.965	2.970	.250	#							
8121S	N	1.730	2.336	2.340	.470	25	*8710	S	3.263	3.275	4.110	.500	#
*8126N	N	5.000	6.622	6.629	.906	89	8724S	S	7.995	11.625	11.633	1.078	41
8126S	S	5.000	6.622	6.629	.906	89	*8730	S	2.231	3.017	2.974	.070	#
*8130%	S	3.375	4.275	4.380	.730	#	*8733	S	1.460	2.077	2.034	.070	#
8133S	S	1.362	2.191	2.195	.250	48	*8734	S	1.145	1.765	1.722	.070	#
8139	F	2.000	2.961	2.971	.250	#	8750S	S	.762	1.160	1.164	.250	33
8160S	S	1.562	2.441	2.457	.500	32	*8754S	S	2.258	3.906	3.950	.250	#

For Illustration and Material Data See Technical Section

Designed For A Specific Application - Not Recommended For General Use ➔ Hydrodynamic Lip Design-CW ◀ Hydrodynamic Lip Design-CCW

◀➔ Hydrodynamic Lip Design-Bidirectional ** Canada Only % External Bore & Flanged O.D.

* The U.S. customer service number is 877-4-TIMKEN. The Canadian customer service numbers are 800-565-4927 (English) and 800-565-0438 (French-Canadian). ★ Metric Seal

Numerical List Size & Type

Part No.	Lip Mat'l	Shaft Size	Hsg. Bore	Seal O.D.	Seal Width	Type/illus.	Part No.	Lip Mat'l	Shaft Size	Hsg. Bore	Seal O.D.	Seal Width	Type/illus.
40000 SERIES (cont.)							50000 SERIES (cont.)						
*42289	S	2.250	3.350	3.355	.250	4S	50126	L	1.406	2.125	2.129	.437	5L
42311S	S	1.000	1.437	1.441	.250	4S	50151S	S	1.125	1.561	1.565	.375	5S
42352S	S	1.750	2.250	2.254	.250	4S	*50160	S	1.125	2.000	2.004	.437	5S
*42364S	S	1.562	2.502	2.506	.250	4S	*50183	S	1.750	2.750	2.754	.500	5S
42421S	S	1.875	2.750	2.754	.250	4S	*50197	H	.375	.999	1.003	.375	5S
*42587S	S	2.250	3.500	3.505	.250	4S	50197S	S	.375	.999	1.003	.375	5S
*42686	S	2.468	3.236	3.241	.250	4S	*50199H	H	.437	.999	1.003	.375	5S
*42707S	S	2.375	3.112	3.117	.250	4S	*50199S	S	.437	.999	1.003	.375	5S
*42754S	S	1.625	2.750	2.754	.250	4S	50209	L	1.031	1.499	1.503	.390	5L
42763	S	1.375	2.282	2.286	.250	4S	50266	L	1.781	2.623	2.627	.500	5L
*42999S	S	2.000	2.875	2.879	.250	4S	50289	L	1.750	2.783	2.787	.531	5L
*43000S	S	2.125	2.875	2.879	.250	4S	*50317	S	2.312	3.251	3.256	.500	5S
43034S	S	2.250	2.875	2.879	.250	4S	50327	L	1.718	2.437	2.441	.468	5L
*43069S	S	1.170	2.000	2.004	.250	4S	*50350	S	2.375	3.371	3.376	.468	5S
*43070S	S	2.093	3.148	3.153	.250	4S	*50352	S	1.750	2.502	2.506	.250	5S
43071S	S	1.750	2.437	2.441	.250	4S	*50385	H	.375	.750	.754	.250	5S
43072S	S	1.125	1.564	1.568	.250	4S	50385S	S	.375	.750	.754	.250	5S
43073S	S	2.000	2.717	2.721	.250	4S	*50394	S	1.500	2.125	2.129	.437	5S
43074S	S	1.578	2.000	2.004	.250	4S	50395S	S	1.375	1.874	1.878	.437	5S
43076S	S	1.187	2.047	2.051	.250	4S	*50401	L	2.000	2.502	2.506	.500	5L
43077S	S	2.625	3.484	3.489	.250	4S	50402	L	1.375	2.282	2.286	.500	5L
43078S	S	1.500	2.192	2.196	.250	4S	*50403	S	1.375	2.062	2.066	.437	5S
43080S	S	.500	.875	.879	.218	4S	50445	L	.312	1.250	1.254	.375	5L
*43085S	S	2.000	2.996	3.001	.250	4S	50468	L	1.484	2.254	2.258	.312	5L
43086S	S	2.875	4.003	4.008	.250	4S	*50470	H	.437	.875	.879	.312	5S
*43088S	S	1.437	2.686	2.690	.250	4S	50470S	S	.437	.875	.879	.312	5S
43089S	S	1.375	2.374	2.378	.250	4S	*50506	L	.718	1.250	1.254	.375	5L
*43092S	S	1.750	2.623	2.627	.250	4S	50528	L	1.968	2.996	3.001	.500	5L
*43093S	S	1.312	2.000	2.004	.250	4S	50560	L	2.468	3.350	3.355	.468	5L
43095S	S	.500	.749	.753	.093	4S	50568	T	1.625	2.625	2.629	.500	5S
43109S	S	2.312	3.065	3.070	.281	4S	50569	T	1.625	2.625	2.629	.500	5S
43290S	S	2.500	3.125	3.130	.250	4S	*50606	L	1.062	1.686	1.690	.375	5L
*43361★	S	19.00	47.63	47.73	6.35	4S	50631	L	2.218	3.350	3.355	.468	5L
		.748	1.875	1.879	.250		*50737	S	2.250	3.189	3.194	.437	5S
*43493★	S	30.00	62.00	62.15	6.35	4S	*50776	S	1.375	2.686	2.690	.500	5S
		1.181	2.441	2.447	.250		51032S	S	1.281	1.752	1.756	.375	5S
*43670	S	2.000	3.148	3.153	.250	4S	51083	L	1.250	1.752	1.756	.375	5L
*43808	S	1.500	2.716	2.720	.250	4S	51098	S	1.500	2.502	2.506	.437	48
44052	S	2.255	3.312	3.317	.380	4S	51098L**	L	1.500	2.502	2.506	.435	5L
44053	S	1.821	2.623	2.627	.250	4S	*51265S	S	2.000	3.150	3.155	.500	5S
45013S	S	3.000	4.003	4.008	.250	4S	51322	S	1.365	2.081	2.085	.435	5S
45031S	S	3.750	4.999	5.004	.250	4S	*53809S	S	.344	.999	1.003	.375	5S
45187S	S	4.000	4.876	4.881	.250	4S	*55014	L	3.000	4.249	4.254	.625	5L
45525S	S	3.500	4.125	4.130	.250	4S	*55014S	S	3.000	4.249	4.254	.625	5S
45637S	S	4.687	6.002	6.007	.250	4S	55028	L	3.562	4.999	5.004	.468	5L
45653S	S	1.937	3.500	3.505	.250	4S	55030	L	3.687	4.999	5.004	.468	5L
45825S	S	3.125	3.751	3.756	.250	4S	*55060	L	4.375	6.250	6.256	.562	5L
45827S	S	2.750	3.501	3.505	.250	4S	*55060S	S	4.375	6.250	6.256	.562	5S
46997S	S	2.750	3.751	3.756	.250	4S	55078S	S	9.750	11.250	11.260	.750	5S
*47010S	S	3.625	4.249	4.254	.250	4S	*55095S	S	2.375	3.500	3.505	.500	5S
47150S	S	4.250	5.250	5.256	.250	4S	55103S	S	16.250	18.000	18.010	.750	45
*47314S	S	2.375	3.750	3.755	.250	4S	*55173	S	3.500	4.751	4.756	.625	5S
*47757	S	3.375	4.376	4.381	.250	4S	55236	L	3.250	4.718	4.723	.468	5L
48144	S	.500	.999	1.003	.250	#	55238	L	2.750	4.999	5.004	.468	5L
48146	S	.625	1.124	1.128	.250	#	55301S	S	9.000	10.000	10.010	.750	45
50000 SERIES							*55331	S	3.375	4.501	4.506	.625	5S
*50004	L	.468	1.124	1.128	.375	5L	55337	L	2.250	3.876	3.881	.468	5L
*50009	L	.625	1.124	1.128	.375	5L	55353	L	3.625	4.839	4.844	.500	5L
*50010	L	.375	1.250	1.254	.375	5L	55357	L	5.437	6.749	6.757	.625	5L
*50027	V	.750	1.375	1.379	.406	5L	55419	L	3.437	4.501	4.506	.625	5L
*50041S	S	1.000	1.828	1.832	.437	5S	*55431	L	3.375	4.718	4.723	.468	5L
*50070	S	1.750	2.623	2.627	.500	5S	55469	S	2.750	3.935	3.940	.500	5L
50081	L	1.718	2.875	2.879	.468	5L	*55511S	S	2.843	3.939	3.944	.500	5S
*50097	S	2.125	3.350	3.355	.468	5S	*55522	S	4.375	-	3.127	.500	5S
*50099	L	2.250	3.350	3.355	.468	5L	55524	L	2.000	4.003	4.008	.468	5L
*50099S	S	2.250	3.350	3.355	.468	5S	55548	L	3.000	4.626	4.631	.500	5L
*50103	S	2.375	3.481	3.486	.500	5S	55563	T	3.250	4.003	4.008	.468	5S
							*55690	S	3.125	4.625	4.631	.562	5S

For Illustration and Material Data See Technical Section

Designed For A Specific Application - Not Recommended For General Use ➔ Hydrodynamic Lip Design-CW ** Canada Only

* The U.S. customer service number is 877-4-TIMKEN. The Canadian customer service numbers are 800-565-4927 (English) and 800-565-0438 (French-Canadian). ★ Metric Seal

NUMERICAL SECTION

Part No.	Lip Mat'l	Shaft Size	Hsg. Bore	Seal O.D.	Seal Width	Type/illus.	Part No.	Lip Mat'l	Shaft Size	Hsg. Bore	Seal O.D.	Seal Width	Type/illus.
50000 SERIES (cont.)							200000 SERIES						
*55829	S	2.375	3.623	3.628	.359	5S	200110	S	2.058	3.149	3.154	.270	200
*55857	L	2.375	3.601	3.606	.437	5L	*200118	S	3.478	4.922	4.927	.468	200
*57831	S	4.062	6.191	6.197	.625	5S	*200122	S	2.748	3.937	3.942	.305	200
70000 SERIES													
*70135S	S	1.375	2.125	2.129	.812	7S	200133%	S	3.000	4.524	4.600	.433	200E
*73289S	S	.750	1.375	1.379	.500	7S	*200167	S	3.410	5.251	5.257	.500	200
*75149S	S	2.625	3.751	3.756	.875	7S	*200169	S	1.812	2.718	2.727	.400	200
75251S	S	4.812	5.751	5.756	.750	7S	*200188	S	3.875	6.000	6.006	.390	200
*75464H	H	5.312	6.500	6.507	1.033	7S	*200198	S	4.125	6.296	6.302	.390	200
*75549H	H	4.000	4.999	5.004	.625	7S	*200204	S	3.500	4.864	4.964	.321	200
*75658	N	5.187	6.500	6.507	1.093	7S	*200303	S	1.750	3.149	3.154	.291	200
*75658H	H	5.187	6.500	6.507	1.093	7S	200322★	S	75.00	120.00	120.12	8.13	200
*75963S	S	3.750	4.751	4.757	.875	7S			2.953	4.724	4.729	.320	
*76894S	S	3.000	5.000	5.006	.859	7S	*200334	S	1.812	2.874	2.878	.290	200
*77286H	H	5.500	6.625	6.632	.670	7S	200335	S	1.750	2.623	2.627	.290	200
*77322H	H	6.312	7.500	7.507	.690	7S	200338	S	1.250	2.000	2.004	.290	200
*77322V	V	6.312	7.500	7.507	.690	7S	200339	S	2.000	2.875	2.879	.290	200
*77558H	H	4.625	5.501	5.506	.655	7S	*200346	S	2.125	3.543	3.548	.320	200
*77685H	H	5.187	6.500	6.507	.812	7S	200354	S	1.750	2.718	2.722	.359	200
*77929H	H	4.125	4.999	5.004	.625	7S	200371	S	1.945	2.891	2.895	.290	200
*77938	S	3.125	4.003	4.008	.790	7S	200392	S	2.625	3.813	3.818	.415	200
*77980	S	4.250	5.250	5.253	.790	7S	*200396	S	1.937	2.875	2.879	.290	200
*77993T	S	3.720	4.756	4.766	.640	7S	*200397	S	2.437	3.149	3.154	.291	200
*78021➔	S	4.812	5.751	5.757	.512	7S	200600%	S	1.750	2.786	2.876	.285	200E
*78021T◀	S	4.812	5.751	5.757	.812	7S	200603%	S	3.625	4.695	4.810	.395	200E
*78048	T	4.173	5.374	5.390	.690	7S	200640%	S	1.562	2.531	2.621	.285	200E
80000 SERIES													
80313%	S	2.062	3.250	3.310	.500	200E	200641%	S	1.625	2.462	-	.250	200E
80330%	L	2.500	3.371	3.435	.500	8L	200642%	S	4.750	6.002	6.092	.285	200
*84082%	S	3.437	4.625	4.725	.484	8S	200752%	S	1.873	2.716	2.806	.281	200E
100000 SERIES													
*100052T★◀	T	91.01	111.00	111.13	10.01	FW-H	200763%	S	2.250	3.249	3.250	.285	200E
100058➔	T	3.583	4.370	4.375	.394	W	*200766%	S	3.062	4.230	4.350	.390	200E
100085★◀	T	2.156	2.880	2.885	.375	#	*200799%	S	4.000	5.375	5.475	.375	200E
100086	V	3.858	4.525	4.540	.620	#	200851%	S	2.496	3.672	3.772	.315	200E
100165★	S	1.880	3.169	3.176	.480	#	200854%	S	1.750	2.718	2.728	.294	200E
		35.00	57.00	57.30	15.27	#	200855%	S	2.375	3.471	3.616	.290	200E
		1.378	2.244	2.246	.601	#	*200856%	S	4.550	5.500	5.570	.350	200
*100202T◀	T	2.991	3.622	3.637	.385	FW-H	200859%	S	1.500	2.256	-	.270	200
*100203T★◀	T	95.00	114.99	115.32	12.50	FW-H	200861%	S	1.500	2.462	2.482	.290	200E
		3.740	4.527	4.540	.492	#	200865%	S	2.065	3.130	3.130	.294	200E
*100204T◀	T	3.625	4.240	4.256	.390	FW-H	200870%	S	3.249	4.468	4.488	.318	200E
*100205T◀	T	3.750	4.501	4.506	.362	FW-H	*200875%	S	4.750	6.437	6.457	.359	200E
*100239T★◀	T	88.00	108.00	108.36	11.10	FW-H	*200878%	S	3.500	4.921	5.021	.321	200E
		3.465	4.252	4.266	.437	#	200880%	S	3.249	4.536	4.556	.315	200E
*100253&	T	4.375	5.755	5.705	.840	#	200881%	S	2.000	2.804	2.824	.294	200E
100263➔	V	3.003	4.937	4.948	.788	08	200885%	S	1.991	2.900	2.975	.290	200E
*100266V◀	V	2.750	3.543	3.549	.500	#	200886%	S	1.687	2.650	2.725	.290	200E
*100355	N	3.250	-	4.325	.404	#	200887%	S	1.562	2.237	2.257	.290	200E
100357	V	1.705	3.034	3.039	.562	86	*200888%	S	2.496	3.715	3.745	.315	200E
*100373	N	3.003	3.951	3.961	.289	#	*200895%	S	1.751	2.533	2.608	.290	200E
100400V	V	3.350	4.250	4.280	.635	08	*200897%	S	2.058	2.062	3.325	.290	200E
*100406	N	3.003	4.028	4.038	.302	#	200912%	S	1.750	2.630	2.930	.290	200E
*100459T	T	.634	1.246	1.255	.300	#	*200919%	S	2.625	3.660	3.960	.320	200E
*100467★➔	T	85.00	-	102.57	25.40	#	*200922%	S	3.375	4.500	4.800	.315	200E
		3.346	-	4.038	1.000	#	200929%	S	2.250	3.400	3.700	.280	200E
100470	T	2.129	2.835	2.846	.323	#	*200939%	S	2.390	3.260	3.300	.294	200E
100494➔	V	3.253	4.249	4.260	.635	08	*200940%	S	2.250	3.000	3.060	.290	200E
100495	V	3.003	3.751	3.761	.420	08	200942%	S	2.750	3.846	3.928	.290	200E
100557➔	V	3.253	5.500	5.511	.635	08	*200947%	S	4.000	5.510	5.560	.320	200E
100675	V	1.875	3.161	3.165	.695	72	*200958%	S	1.875	2.687	2.762	.280	200E
100712V	V	1.874	3.159	3.163	.500	#	*200961%	S	3.500	4.864	4.964	.321	200E
100715V	V	1.874	3.159	3.163	.500	#	203000 SERIES						
100727	V	2.500	4.035	4.042	.492	#	203002	S	1.750	2.717	2.721	.406	203
							203003	S	1.125	1.937	1.942	.562	203
							*203004	S	1.125	1.937	1.942	.625	203
							203005	S	1.000	1.780	1.785	.468	203
							203006	S	1.812	2.561	2.566	.500	203
							*203007	S	1.750	2.440	2.445	.468	203
							203008	S	1.687	2.327	2.332	.500	203
							203012	S	1.250	1.968	1.972	.468	203

For Illustration and Material Data See Technical Section

Designed For A Specific Application - Not Recommended For General Use ➔ Hydrodynamic Lip Design-CW ◀ Hydrodynamic Lip Design-CCW % External Bore

146 & Flanged O.D. * The U.S. customer service number is 877-4-TIMKEN. The Canadian customer service numbers are 800-565-4927 (English) and 800-565-0438 (French-Canadian).

★ Metric Seal

Numerical List Size & Type

Part No.	Lip Mat'l	Shaft Size	Hsg. Bore	Seal O.D.	Seal Width	Type/illus.	Part No.	Lip Mat'l	Shaft Size	Hsg. Bore	Seal O.D.	Seal Width	Type/illus.
203000 SERIES (cont.)							220000 SERIES (cont.)						
203013	S	1.500	2.327	2.332	.406	203	220860★	S	8.00	16.00	16.20	7.00	35
203015	S	1.750	2.562	2.566	.500	203			.315	.630	.638	.276	
203016	S	1.218	1.968	1.972	.468	203	220918★	S	9.00	18.00	18.20	7.00	35
203020	S	1.125	1.780	1.785	.468	203			.354	.709	.717	.276	
203025	S	1.218	1.979	1.983	.406	203	221040★	S	10.00	19.00	19.20	7.00	35
203029	S	1.250	1.979	1.983	.406	203			.394	.748	.756	.276	
203034	S	1.875	2.995	3.000	.437	203	221122★	S	11.00	22.00	22.23	7.00	35
*203041	S	1.687	2.561	2.566	.500	203			.433	.866	.875	.276	
*203045	S	1.250	1.780	1.785	.468	203	221207★	S	12.00	22.00	22.25	7.00	35
*203055	S	1.187	1.968	1.972	.468	203			.472	.866	.876	.276	
*203071	S	1.812	2.561	2.566	.437	203	221208★	V	12.00	22.00	22.25	7.00	35
									.472	.866	.876	.276	
204000 SERIES							221410★	S	14.00	24.00	24.23	7.00	35
204002	S	1.750	2.716	2.721	.406	204			.551	.945	.954	.276	
204005	S	1.000	1.780	1.785	.468	204	221510★	N	15.00	25.00	25.25	6.00	32
*204007	S	1.750	2.440	2.445	.468	204			.591	.984	.994	.236	
204008	S	1.687	2.327	2.332	.500	204	221540★	S	15.00	30.00	30.23	7.00	35
*204009	S	2.093	2.716	2.721	.406	204			.591	1.181	1.190	.276	
*204012	S	1.250	1.968	1.972	.468	204	221607★	N	16.00	27.00	27.20	14.00	#
204013	S	1.500	2.327	2.332	.406	204			.630	1.063	1.071	.551	
*204015	S	1.750	2.561	2.566	.500	204	221610★	N	16.00	28.00	28.23	7.00	32
204017	S	1.625	2.327	2.332	.406	204			.630	1.102	1.111	.276	
204020	S	1.125	1.780	1.785	.468	204	221620★	S	16.00	30.00	30.23	7.00	35
									.630	1.181	1.190	.276	
*204024	S	1.250	1.979	1.983	.468	204	221710★	S	17.00	28.00	28.23	7.00	35
204027	S	1.375	2.327	2.332	.406	204			.669	1.102	1.111	.276	
204029	S	1.250	1.979	1.983	.406	204	221720★	S	17.00	30.00	30.23	8.00	32
204035	S	2.296	3.148	3.153	.359	204			.669	1.181	1.190	.276	
204038	S	1.750	2.716	2.721	.359	204	221730★	S	17.00	32.00	32.22	7.00	35
*204047	S	1.875	3.149	3.154	.359	204			.669	1.260	1.269	.276	
*204075	S	1.625	2.327	2.332	.440	204	221735★	S	17.00	35.00	35.18	7.00	35
*204078	S	2.093	2.716	2.721	.359	204			.669	1.378	1.385	.276	
*204079	S	1.937	2.562	2.566	.437	204	221820★➔	S	18.00	30.00	30.23	9.00	32
*204084	S	1.062	2.750	2.754	.437	204			.709	1.181	1.190	.354	
204500	S	1.625	2.562	2.566	.250	4S	221830★	S	18.00	32.00	32.22	8.00	35
204501	S	1.750	3.000	3.005	.250	204			.709	1.260	1.269	.315	
204502	S	1.750	2.561	2.565	.250	204	221920★	S	19.00	30.00	30.20	7.00	32
204503	S	1.750	2.374	2.379	.250	204			.748	1.181	1.189	.276	
204505	S	1.125	1.780	1.785	.250	204	221922★	S	19.00	32.00	32.20	8.00	32
204506	S	2.000	3.623	3.628	.250	204			.748	1.260	1.268	.315	
204507	S	1.250	1.979	1.983	.250	204	221925★	S	19.00	36.00	36.23	6.50	35
204508	S	2.000	3.062	3.066	.250	204			.748	1.417	1.426	.256	
204509	S	5.000	6.250	6.256	.250	204	222020★	S	20.00	32.00	32.23	7.00	35
									.787	1.260	1.269	.276	
205000 SERIES							222025★	S	20.00	30.00	30.28	7.00	32
205004	F	1.125	1.937	1.942	.625	205			.787	1.181	1.192	.276	
205005	F	1.000	1.780	1.785	.468	205	222028★◀	S	20.00	34.00	34.25	7.00	32
*205006	F	1.812	2.561	2.566	.500	205			.787	1.339	1.348	.276	
*205009★	F	53.00	69.00	69.11	10.30	205	222030★➔	S	20.00	35.00	35.23	5.50	32
									.787	1.378	1.387	.217	
*205011	F	1.062	1.938	1.942	.625	205	222036★	V	20.00	36.00	36.20	7.00	32
205015	F	1.750	2.562	2.566	.500	205			.787	1.417	1.425	.276	
205017	F	1.625	2.328	2.332	.406	205	222050★	S	20.00	40.00	40.23	7.00	35
*205020	F	1.125	1.781	1.785	.468	205			.787	1.575	1.584	.276	
*205027	F	1.375	2.328	2.332	.406	205	222060★	S	20.00	47.00	47.20	7.00	35
205035	F	2.296	3.148	3.153	.359	205			.787	1.850	1.858	.276	
							222210★	S	22.00	32.00	32.23	7.00	35
205044	F	2.000	2.964	2.968	.500	205			.866	1.260	1.269	.276	
*205051	F	1.718	2.562	2.566	.500	205	222220★	S	22.00	35.00	35.23	7.00	32
*205058	F	2.000	2.562	2.566	.500	205			.866	1.378	1.387	.276	
210000 SERIES							222238★	S	22.00	38.00	38.20	8.00	32
210295	S	1.937	2.875	2.879	.687	21			.866	1.496	1.504	.315	
*210914	S	1.500	3.125	3.130	.625	21	222240★	S	22.00	40.00	40.23	7.00	35
210945	S	1.750	3.371	3.376	.625	21			.866	1.575	1.584	.276	
*215271	S	5.000	5.999	6.007	.937	21	222242★	N	22.00	40.00	40.23	12.00	32
*216239	S	7.000	8.500	8.507	1.031	21			.866	1.575	1.584	.472	
220000 SERIES							222267★◀	H	22.00	45.00	45.20	8.00	32
220818★	S	8.00	18.00	18.20	7.00	32			.866	1.772	1.780	.315	
		.315	.709	.717	.276		222270★	S	22.00	47.00	47.23	7.00	35
									.866	1.850	1.859	.276	

NUMERICAL SECTION

For Illustration and Material Data See Technical Section

Designed For A Specific Application - Not Recommended For General Use ➔ Hydrodynamic Lip Design-CW ◀ Hydrodynamic Lip Design-CCW

* The U.S. customer service number is 877-4-TIMKEN. The Canadian customer service numbers are 800-565-4927 (English) and 800-565-0438 (French-Canadian). ★ Metric Seal

Part No.	Lip Mat'l	Shaft Size	Hsg. Bore	Seal O.D.	Seal Width	Type/illus.	Part No.	Lip Mat'l	Shaft Size	Hsg. Bore	Seal O.D.	Seal Width	Type/illus.
220000 SERIES (cont.)							220000 SERIES (cont.)						
222310★	S	23,00	32,00	32,20	5,00	34	223250★➔	S	32,00	50,00	50,23	8,00	32
		.905	1.260	1.268	.197				1.260	1.969	1.978	.315	
222330★◄	N	23,00	34,00	34,23	8,00	32	223252★◄	N	32,00	52,00	52,28	11,00	32
		.905	1.339	1.348	.315				1.260	2.047	2.058	.433	
222340★➔	N	23,00	40,00	40,23	7,00	32	223253★➔	N	32,00	53,00	53,28	7,00	32
		.905	1.575	1.584	.276				1.260	2.087	2.098	.276	
222410★	S	24,00	35,00	35,23	7,00	35	223255★	S	32,00	52,00	52,28	7,00	35
		.945	1.378	1.387	.276				1.260	2.047	2.058	.276	
222430★	S	24,00	40,00	40,23	7,00	35	223340★➔	S	33,00	47,00	47,20	8,00	32
		.945	1.575	1.584	.276				1.299	1.850	1.858	.315	
222450★	S	24,00	43,00	43,23	8,00	25	223400★	N	34,00	44,00	44,23	8,00	32
		.945	1.693	1.702	.315				1.339	1.732	1.741	.315	
222510★	S	25,00	35,00	35,25	7,00	35	223410★	S	34,00	48,00	48,28	7,50	35
		.984	1.378	1.388	.276				1.339	1.890	1.901	.295	
222535★	S	25,00	38,00	38,23	7,00	32	223420★➔	N	34,00	48,00	48,28	8,00	32
		.984	1.496	1.505	.276				1.339	1.890	1.901	.315	
222540★	S	25,00	40,00	40,22	7,00	47	223430★➔	N	34,00	50,00	50,20	8,00	35
		.984	1.575	1.583	.276				1.339	1.969	1.976	.315	
222556★➔	H	25,00	42,00	42,30	8,00	32	223440★	N	34,00	53,00	53,28	8,00	32
		.984	1.654	1.665	.315				1.339	2.087	2.098	.315	
222558★	S	25,00	44,00	44,20	7,00	32	223462★	S	34,00	62,00	62,20	10,00	35
		.984	1.732	1.740	.276				1.339	2.441	2.449	.394	
222580★	S	25,00	62,00	62,28	10,00	32	223510★	S	35,00	47,00	47,23	7,00	35
		.984	2.441	2.452	.394				1.378	1.850	1.859	.276	
222630★	N	26,00	38,00	38,20	8,00	32	223520★	S	35,00	50,00	50,24	8,00	35
		1.024	1.496	1.504	.315				1.378	1.969	1.978	.315	
222655★	S	26,00	48,00	48,23	7,00	32	223535★	S	35,00	52,00	52,13	8,00	33
		1.024	1.890	1.899	.276				1.378	2.047	2.052	.315	
222742★	V	27,00	42,00	42,10	7,00	48	223540★◄➔	N	35,00	55,00	55,45	8,00	40
		1.063	1.654	1.657	.276				1.378	2.165	2.183	.315	
222743★◄	H	27,00	43,00	43,20	9,00	32	223542★	N	35,00	55,00	55,23	11,00	32
		1.063	1.693	1.701	.354				1.378	2.165	2.174	.433	
222745★➔	N	27,00	45,00	45,25	9,00	32	223543★	S	35,00	56,00	56,27	10,00	32
		1.063	1.772	1.781	.354				1.378	2.205	2.215	.394	
222820★	S	28,00	40,00	40,34	7,00	33	223550★	S	35,00	58,00	58,10	10,00	45
		1.102	1.575	1.588	.276				1.378	2.283	2.287	.394	
222830★◄	N	28,00	41,00	41,27	7,00	32	223551★	S	35,00	60,00	60,23	10,00	35
		1.102	1.614	1.625	.276				1.378	2.362	2.371	.394	
222835★	N	28,00	44,00	44,20	6,00	32	223552★	S	35,00	62,00	62,28	9,50	32
		1.102	1.732	1.740	.236				1.378	2.441	2.452	.374	
222860★➔	N	28,00	47,00	47,22	8,00	32	223553★➔	N	35,00	62,00	62,28	9,00	40
		1.102	1.850	1.859	.315				1.378	2.441	2.452	.354	
223005★	S	30,00	40,00	40,23	7,00	48	223554★	S	35,00	63,00	63,28	10,00	#
		1.181	1.575	1.584	.276				1.378	2.480	2.491	.394	
223010★➔	S	30,00	42,00	42,20	7,00	32	223555★	N	35,00	64,00	64,13	8,00	47
		1.181	1.654	1.661	.276				1.378	2.520	2.525	.315	
223012★➔	N	30,00	44,00	44,20	7,00	32	223580★➔	S	35,00	68,00	68,16	9,00	40
		1.181	1.732	1.740	.276				1.378	2.677	2.683	.354	
223014★	S	30,00	45,00	45,20	6,00	32	223601★	S	36,00	47,00	47,20	7,00	35
		1.181	1.772	1.780	.236				1.417	1.850	1.858	.276	
223018★	S	30,00	46,00	46,23	7,00	32	223602★➔	N	36,00	49,00	49,28	7,00	32
		1.181	1.811	1.820	.276				1.417	1.929	1.940	.276	
223020★	S	30,00	47,00	47,25	8,00	35	223605★	S	36,00	50,00	50,08	7,00	47
		1.181	1.850	1.860	.315				1.417	1.969	1.972	.276	
223035★	S	30,00	52,00	52,18	7,00	35	223608★◄	S	36,00	52,00	52,20	10,00	32
		1.181	2.047	2.054	.276				1.417	2.047	2.055	.394	
223050★➔	S	30,00	50,00	50,23	7,00	32	223610★	S	36,00	54,00	54,28	7,50	35
		1.181	1.969	1.978	.276				1.417	2.126	2.137	.295	
223210★	S	32,00	40,00	40,15	5,00	34	223620★➔	S	36,00	68,00	68,18	8,00	48
		1.260	1.575	1.581	.197				1.417	2.677	2.684	.315	
223215★◄	S	32,00	42,00	42,20	10,00	32	223750★➔	N	37,00	50,00	50,25	6,00	32
		1.260	1.654	1.661	.394				1.457	1.969	1.978	.236	
223220★➔	N	32,00	44,00	44,23	6,00	32	223800★➔	N	38,00	50,00	50,28	10,50	32
		1.260	1.732	1.741	.236				1.496	1.969	1.980	.413	
223230★	S	32,00	45,00	45,23	7,00	32	223801★	S	38,00	50,00	50,28	8,00	32
		1.260	1.772	1.781	.276				1.496	1.969	1.980	.315	
223235★	N	32,00	46,00	46,23	6,00	32	223802★➔	N	38,00	50,00	50,25	6,00	32
		1.260	1.811	1.820	.236				1.496	1.969	1.978	.236	
223240★	N	31,50	48,00	48,20	9,00	40	223805★	S	38,00	47,00	47,10	7,00	25
		1.260	1.890	1.898	.354				1.496	1.850	1.854	.276	

For Illustration and Material Data See Technical Section

Designed For A Specific Application - Not Recommended For General Use ➔ Hydrodynamic Lip Design-CW ◄ Hydrodynamic Lip Design-CCW

Numerical List Size & Type

Part No.	Lip Mat'l	Shaft Size	Hsg. Bore	Seal O.D.	Seal Width	Type/illus.	Part No.	Lip Mat'l	Shaft Size	Hsg. Bore	Seal O.D.	Seal Width	Type/illus.		
220000 SERIES (cont.)							220000 SERIES (cont.)								
223822	S	1.496	2.087	.000	.315	32	224462★◀▶	S	44.00	62.00	62.26	8.00	32		
223830★	N	38.00	55.00	55.28	7.00	35			1.732	2.441	2.451	.315			
		1.496	2.165	2.176	.276		224464★◀	N	44.00	62.00	62.28	10.00	32		
223831★▶	N	38.00	55.00	55.30	9.00	32			1.732	2.441	2.452	.394			
		1.496	2.165	2.177	.354		224465★▶	S	44.00	65.00	65.20	11.00	32		
223840★	S	38.00	58.00	58.11	8.00	47			1.732	2.559	2.567	.433			
		1.496	2.283	2.288	.315		224470★	S	44.00	72.00	72.11	10.00	35		
223842★	V	38.00	58.00	58.11	8.00	48			1.732	2.835	2.839	.394			
		1.496	2.283	2.288	.315		224510★	S	45.00	58.00	58.30	7.00	32		
223843★	S	38.00	60.00	60.35	10.00	35			1.772	2.283	2.295	.276			
		1.496	2.362	2.376	.394		224520★	S	45.00	60.00	60.25	10.00	35		
224010★	S	40.00	52.00	52.28	7.00	35			1.772	2.362	2.372	.394			
		1.575	2.047	2.058	.276		224550★	S	45.00	65.00	65.28	8.00	35		
224015★	S	40.00	52.00	52.28	7.00	32			1.772	2.559	2.570	.315			
		1.575	2.047	2.058	.276		224560★	S	45.00	68.00	68.28	7.00	32		
224020★▶	S	40.00	55.00	55.28	9.00	32			1.772	2.677	2.688	.276			
		1.575	2.165	2.176	.315		224570★	S	45.00	72.00	72.28	12.00	35		
224025★▶	N	40.00	56.00	56.25	7.00	32			1.772	2.835	2.846	.472			
		1.575	2.205	2.215	.276		224650★▶	N	46.00	58.00	58.28	7.00	32		
									1.811	2.283	2.294	.276			
224026★	V	40.00	56.00	56.26	9.00	35									
		1.575	2.205	2.215	.354		224660★▶	H	46.00	60.00	60.28	7.00	32		
224040★	S	40.00	60.00	60.20	10.00	35			1.811	2.362	2.373	.276			
		1.575	2.362	2.370	.394		224662★	S	46.00	62.00	62.10	8.00	35		
224045★	S	40.00	62.00	62.27	11.00	32			1.811	2.441	2.445	.315			
		1.575	2.441	2.452	.433		224663★▶	N	46.00	63.00	63.40	7.70	35		
224052★▶	H	40.00	52.00	52.28	7.00	32			1.811	2.480	2.496	.303			
		1.575	2.047	2.058	.276		224772★	S	47.00	72.00	72.23	8.00	48		
224053	V	1.575	2.047	.000	.276	32			1.850	2.835	2.844	.315			
224063★▶	N	40.00	63.00	63.30	8.00	32			224810★	N	48.00	62.00	62.28	8.00	32
		1.575	2.480	2.492	.315				1.890	2.441	2.452	.315			
224066★▶	N	40.00	66.00	66.30	8.00	40			224815★	N	48.00	74.00	74.30	10.00	40
		1.575	2.598	2.610	.315				1.890	2.913	2.925	.394			
224068★	N	40.00	68.00	68.10	9.00	40			224820★	S	48.00	62.00	62.10	8.00	32
		1.575	2.677	2.681	.354				1.890	2.441	2.445	.315			
224100★	S	40.00	65.00	65.28	10.00	35			224835★	N	48.00	68.00	68.27	10.00	32
		1.575	2.559	2.570	.394				1.890	2.677	2.688	.394			
224150★	N	41.00	54.00	54.23	7.00	35			224840★▶	S	48.00	68.00	68.30	11.00	32
		1.614	2.126	2.135	.276				1.890	2.677	2.689	.433			
									224850★	S	48.00	72.00	72.28	10.00	32
224200★	S	42.00	55.00	55.20	7.50	32			1.890	2.835	2.846	.394			
		1.654	2.165	2.173	.295				224865★	S	48.00	65.00	65.20	10.00	32
224205★▶	N	42.00	55.00	55.33	9.00	32			1.890	2.559	2.567	.394			
		1.654	2.165	2.178	.354				224870★	S	48.00	73.00	73.10	7.00	47
224210★	S	42.00	55.00	55.28	8.00	35			1.890	2.874	2.878	.276			
		1.654	2.165	2.176	.315				224872★	S	48.00	72.00	72.35	8.50	32
224215★◀	N	42.00	58.00	58.28	8.00	32			1.890	2.835	2.848	.335			
		1.654	2.283	2.294	.315				224874★	S	48.00	74.00	74.23	10.00	32
224220★	S	42.00	56.00	56.21	7.00	49			1.890	2.913	2.922	.394			
		1.654	2.205	2.213	.276				224979★▶	N	49.00	79.00	79.10	17.50	47
224235★	S	42.00	58.00	58.18	7.00	48			1.929	3.110	3.114	.689			
		1.654	2.283	2.291	.276				225005★	S	50.00	62.00	62.28	7.00	32
224250★	S	42.00	62.00	62.27	8.00	35			1.969	2.441	2.452	.276			
		1.654	2.441	2.452	.315				225008★	S	50.00	62.00	62.10	9.00	47
224252★	S	42.00	62.00	62.27	10.00	32			1.969	2.441	2.445	.354			
		1.654	2.441	2.452	.394				225010★	S	50.00	65.00	65.28	8.00	47
224254★	S	42.00	64.00	64.18	6.00	34			1.969	2.559	2.565	.315			
		1.654	2.520	2.527	.236				225020★▶	V	50.00	68.00	68.28	9.00	32
224255★	N	42.00	65.00	65.15	10.00	47			1.969	2.677	2.688	.354			
		1.654	2.559	2.565	.394				225030★	S	50.00	72.00	72.28	8.00	35
									1.969	2.835	2.846	.315			
224266★	S	42.00	66.00	66.28	10.00	32			225035★	S	50.00	72.00	72.35	10.00	32
		1.654	2.598	2.609	.394				1.969	2.835	2.848	.394			
224270★	S	42.00	72.00	72.27	10.00	32			225040★▶	S	50.00	72.00	72.35	12.00	32
		1.654	2.835	2.845	.394				1.969	2.835	2.848	.472			
224320★	S	43.00	62.00	62.10	9.50	47			225050★	S	50.00	80.00	80.28	8.00	35
		1.693	2.441	2.445	.374				1.969	3.150	3.161	.315			
224400★	S	43.00	54.00	54.10	6.50	25			225082★	S	50.00	82.00	82.18	11.50	#
		1.693	2.126	2.130	.256				1.969	3.228	3.235	.453			
224450★▶	N	44.00	59.00	59.23	6.80	35			225110★	S	51.00	65.00	65.10	7.00	47
		1.732	2.323	2.332	.268				2.008	2.559	2.563	.276			
224460★▶	H	44.00	60.00	60.28	10.00	32									
		1.732	2.362	2.373	.394										

NUMERICAL SECTION

For Illustration and Material Data See Technical Section
 # Designed For A Specific Application - Not Recommended For General Use ▶ Hydrodynamic Lip Design-CW ◀ Hydrodynamic Lip Design-CCW
 ▶ Hydrodynamic Lip Design-Bidirectional ★ Metric Seal

Numerical List Size & Type

Part No.	Lip Mat'l	Shaft Size	Hsg. Bore	Seal O.D.	Seal Width	Type/ Illus.	Part No.	Lip Mat'l	Shaft Size	Hsg. Bore	Seal O.D.	Seal Width	Type/ Illus.
220000 SERIES (cont.)							250000 SERIES (cont.)						
229520★	S	95,00	130,00	130,28	12,00	35	252277	S	1.000	1.375	1.379	.250	25
		3.740	5.118	5.129	.472		*252277V	V	1.000	1.375	1.379	.250	25
229522	S	1.969	2.618	.000	.610	40	*252317	S	.812	1.367	1.372	.312	25
230000 SERIES							290000 SERIES						
231002★	S	100,00	120,00	120,28	12,00	35	253099	S	1.500	1.874	1.879	.250	25
		3.937	4.724	4.735	.472		*253610	S	2.375	2.873	2.877	.312	25
231003★	S	100,00	125,00	125,28	12,00	35	253747	S	.625	.875	.880	.125	25
		3.937	4.921	4.932	.472		*253752★	S	57,00	67,00	67,11	6,00	25
231004★	H	100,00	120,00	120,12	11,00	32			2.244	2.638	2.642	.236	
		3.937	4.724	4.735	.433		254270	S	.750	1.124	1.129	.187	25
231052★	H	105,00	120,00	120,20	11,00	32	254287	S	.875	1.250	1.255	.250	25
		4.134	4.724	4.732	.433		*254287V	V	.875	1.250	1.255	.250	25
231204★	S	120,00	145,00	145,28	12,00	35	*255566H	H	3.250	4.125	4.130	.500	25
		4.724	5.709	5.720	.472		*255833	S	3.625	4.725	4.730	.312	25
231250★	S	125,00	150,00	150,28	12,00	35	*256616	S	8.625	9.778	9.786	.625	25
		4.921	5.906	5.917	.472		*256656	S	8.125	8.750	8.757	.375	25
231402★	S	140,00	160,00	160,27	13,00	35	*256936N	N	2.750	3.500	3.505	.567	25
		5.512	6.299	6.310	.512		310000 SERIES						
231405★	S	140,00	170,00	170,28	15,00	35	*290070	F	1.750	2.623	2.627	.500	29
		5.512	6.693	6.704	.591		*290944	F	1.875	2.998	3.002	.375	29
*231905★	S	190,00	220,00	220,35	16,00	35	*291070	F	2.062	2.875	2.879	.500	29
		7.480	8.661	8.675	.630		291099	F	1.625	2.562	2.566	.375	29
239128★	S	38,00	52,00	52,20	9,00	#	*291148	F	2.000	3.264	3.269	.312	29
		1.496	2.047	2.055	.354		*291190	S	1.000	2.106	2.110	.468	29
239129★	S	73,00	86,00	86,28	5,00	#	291295	F	1.843	2.400	2.404	.235	29
		2.874	3.386	3.397	.197		*292100	F	2.250	3.264	3.269	.312	29
239134★	S	37,00	78,00	78,30	12,00	#	292594	F	2.000	2.635	2.639	.295	29
		1.457	3.071	3.083	.472		*293280	F	2.000	3.155	3.160	.500	29
239146★	S	38,00	54,00	54,30	7,00	48	*293751★	S	38,00	52,91	53,01	8,26	29
		1.496	2.126	2.138	.276				1.496	2.083	2.087	.325	
239155	S	1.772	2.520	2.530	.472	#	*295113	F	2.875	4.335	4.340	.437	29
239201★&	S	40,00	52,00	52,20	6,50	32	*295200	F	4.500	5.501	5.506	.562	29
		1.575	2.047	2.055	.256		*296051	F	3.250	4.500	4.505	.406	29
240000 SERIES							320000 SERIES						
*240005	S	.500	1.124	1.134	.175	24	*320242	V	.697	1.220	1.227	.204	32
*240007	S	.562	1.124	1.135	.175	24	320249★➔	V	35,00	48,00	48,21	7,60	32
240009	S	.625	1.124	1.135	.175	24			1.378	1.890	1.898	.299	
240023	S	.625	1.375	1.385	.175	24	320259➔	V	2.005	2.878	2.888	.340	32
240119	S	.500	.999	1.010	.175	24	320348★➔	V	32,00	45,00	45,21	6,00	32
240151	S	1.125	1.561	1.572	.187	24			1.260	1.772	1.780	.236	
240215	S	.875	1.624	1.634	.187	24	320457	S	.472	1.000	1.006	.375	32
240319	S	1.500	2.000	2.010	.187	24	*320510V	V	1.937	2.500	2.510	.374	32
*240319N	N	1.500	2.000	2.010	.187	24	*320552V	V	2.375	3.125	3.138	.500	32
240356	S	1.250	1.686	1.697	.187	24	330000 SERIES						
240385	S	.375	.750	.760	.175	24							
*240385N	N	.375	.750	.760	.175	24							
240414	S	1.000	1.437	1.447	.187	24							
240435	S	.250	.750	.760	.175	24							
240457	S	.984	1.828	1.838	.187	24							
240462	S	1.000	1.936	1.948	.187	24							
*240462N	N	1.000	1.936	1.948	.187	24							
240470	S	.437	.875	.885	.175	24							
240698	S	.312	.625	.635	.175	24							
240716	S	1.312	1.752	1.760	.187	24							
240731	S	1.000	1.250	1.260	.125	24							
240733	S	.875	1.124	1.135	.125	24							
240735	S	.750	.999	1.010	.156	24							
240736	S	1.250	1.499	1.509	.156	24							
*240791	S	.625	1.124	1.135	.175	24							
*240791N	N	.625	1.124	1.135	.175	24							
240816	S	.750	1.062	1.072	.187	24							
240949	S	1.250	1.250	1.838	.187	24							
250000 SERIES							340000 SERIES						
*250416	S	.625	1.000	1.004	.250	25							
250437V	V	1.156	1.575	1.580	.312	25							
*250861V	V	.875	1.260	1.265	.250	25							
251511	S	1.250	1.625	1.630	.188	25							

NUMERICAL SECTION

For Illustration and Material Data See Technical Section

Designed For A Specific Application - Not Recommended For General Use ➔ Hydrodynamic Lip Design-CW & Flanged O.D.

* The U.S. customer service number is 877-4-TIMKEN. The Canadian customer service numbers are 800-565-4927 (English) and 800-565-0438 (French-Canadian). ★ Metric Seal

Part No.	Lip Mat'l	Shaft Size	Hsg. Bore	Seal O.D.	Seal Width	Type/ Illus.	Part No.	Lip Mat'l	Shaft Size	Hsg. Bore	Seal O.D.	Seal Width	Type/ Illus.
320000 SERIES (cont.)							320000 SERIES (cont.)						
*320563★	V	42,00	60,00	60,22	7,00	32	*327995V	V	2.991	3.622	3.637	.380	32
		1.654	2.362	2.371	.276		330000 SERIES						
320564★	V	45,00	68,00	68,28	7,00	32	*330356	S	1.250	1.686	1.691	.375	33
		1.772	2.677	2.688	.276		330385	S	.375	.750	.754	.250	33
*320567	S	.875	1.375	1.383	.312	32	330414	S	1.000	1.437	1.441	.250	33
320583★➔	S	43,00	60,00	60,30	8,00	32	*330414N	N	1.000	1.437	1.441	.250	33
		1.693	2.362	2.374	.315		*330480	S	1.375	1.828	1.832	.375	33
320595★	S	29,00	45,00	45,23	8,00	32	*330480N	N	1.375	1.828	1.832	.375	33
		1.142	1.772	1.781	.315		330663	S	1.375	1.874	1.878	.312	33
320603★➔	S	25,00	37,00	37,26	7,00	32	*330663N	N	1.375	1.874	1.878	.312	33
		.984	1.457	1.467	.276		330699	S	.500	.875	.879	.187	33
320691★◀	V	82,00	99,50	99,77	12,70	32	*330749	S	1.562	2.062	2.066	.250	33
		3.228	3.918	3.928	.500		*330749N	N	1.562	2.062	2.066	.250	33
*320832★	S	48,00	62,00	62,20	8,00	32	330749V	V	1.562	2.062	2.066	.250	33
		1.890	2.441	2.449	.315		*330867H	H	2.125	2.875	2.879	.375	33
*320833★	S	38,00	52,00	52,25	8,50	32	*331107	S	2.000	2.746	2.750	.375	33
		1.496	2.047	2.057	.335		*331107H	H	2.000	2.746	2.750	.375	33
*320834★	S	38,00	74,00	74,27	11,00	32	331107N	H	2.000	2.746	2.750	.375	33
		1.496	2.913	2.924	.433		331173	S	.701	1.160	1.164	.250	33
*320857★	S	35,00	56,00	56,27	10,00	32	331227H➔	H	1.875	2.624	2.628	.375	33
		1.378	2.205	2.215	.394		331228H➔	N	1.500	2.249	2.253	.360	75
*321150	S	1.625	2.374	2.385	.375	32	331301N	N	2.000	2.562	2.566	.528	33
321267	S	.875	1.375	1.381	.250	32	*331356★	S	50,00	62,00	62,08	6,00	33
321416	N	1.500	2.055	2.065	.276	32			1.969	2.441	2.444	.236	
321417N	N	1.417	1.953	1.961	.276	32	*331882	S	1.937	2.686	2.690	.500	33
321460	S	1.781	2.251	2.259	.375	32	332062➔	S	1.869	2.518	2.522	.375	33
*321471	S	.984	1.834	1.842	.250	32	332134	S	2.062	2.561	2.565	.312	33
321516	S	1.000	2.441	2.447	.375	32	*332271N	N	2.330	3.000	3.005	.400	33
322353	S	1.250	1.687	1.693	.250	32	*333860★	S	28,00	46,89	47,00	8,00	33
322373	S	1.500	2.250	2.260	.312	32			1.102	1.846	1.850	.315	
323119	S	1.750	2.715	2.721	.437	32	334111★	S	43,00	54,00	54,10	7,50	33
323125	S	1.375	2.717	2.723	.375	32			1.693	2.126	2.130	.295	
323126	S	1.250	1.685	1.691	.252	32	*335821	S	4.500	5.250	5.256	.437	33
323133	S	1.125	1.781	1.787	.406	32	*335821H	H	4.500	5.250	5.256	.437	33
323138	S	1.375	1.828	1.834	.250	32	*335924	S	4.000	4.562	4.568	.375	33
*323715★	S	42,00	60,00	60,22	7,00	32	*335924H	H	4.000	4.562	4.568	.375	33
		1.654	2.362	2.371	.276		335924N	N	4.000	4.562	4.568	.375	33
*323871★	S	45,00	61,90	62,00	10,00	32	*336665H	H	6.125	6.750	6.757	.375	33
		1.772	2.437	2.441	.394		337426N	N	9.250	10.250	10.258	.500	33
324112	S	.500	1.156	1.166	.250	32	340000 SERIES						
*324115N★	N	32,00	46,00	46,20	6,00	32	340009S	S	.625	1.124	1.130	.250	34
		1.260	1.811	1.819	.236		340120	S	1.000	1.499	1.507	.250	34
*324151★	S	25,00	40,00	40,31	8,00	32	340136	S	1.500	2.250	2.258	.250	34
		.984	1.575	1.587	.315		*340136H	H	1.500	2.250	2.258	.250	34
*324151N★	N	25,00	40,00	40,31	8,00	32	340151	S	1.125	1.561	1.569	.250	34
		.984	1.575	1.587	.315		340210	S	1.062	1.499	1.507	.250	34
*324152	N	1.375	2.166	2.176	.485	32	340356	S	1.250	1.686	1.696	.218	34
*324186★	S	52,00	68,00	68,43	10,00	32	340385	S	.375	.750	.756	.250	34
		2.047	2.677	2.694	.394		340387	S	.625	.812	.820	.093	34
324204★➔	V	39,00	57,00	57,38	9,65	32	340400	S	1.750	2.250	2.258	.250	34
		1.535	2.244	2.259	.380		*340400H	H	1.750	2.250	2.258	.250	34
324234V	V	.500	1.010	1.017	.204	32	340413	S	.875	1.308	1.316	.250	34
324939	S	1.625	2.116	2.127	.312	32	340469	S	.656	1.250	1.258	.250	34
324941	S	1.750	2.566	2.574	.311	32	*340469N	N	.656	1.250	1.258	.250	34
*325088	S	3.000	4.490	4.508	.562	32	340483	S	.875	1.250	1.256	.250	34
*325277T➔	T	4.687	6.500	6.514	.500	32	340495	S	.750	1.124	1.133	.250	34
*325277TL◀	T	4.687	6.500	6.514	.500	32	340724	S	.614	.999	1.006	.250	34
*325378◀➔	V	4.687	5.750	5.762	.565	32	340771	S	.490	.875	.883	.250	34
325776	V	4.330	5.118	5.130	.396	32	340787	S	.937	1.375	1.383	.250	34
*325940	S	12.750	13.625	13.635	.562	32	*340787N	N	.937	1.375	1.383	.250	34
*325978	S	2.812	3.500	3.510	.430	32	340797	S	.593	.935	.943	.175	34
327215	S	4.000	4.998	5.006	.500	32	340815	S	1.125	1.494	1.505	.250	34
327303	S	4.500	5.251	5.259	.437	32	340817	S	1.187	1.627	1.635	.250	34
*327934◀➔	T	4.812	5.750	5.762	.580	32	340823	S	1.875	2.502	2.511	.250	34
*327958◀➔	V	5.187	6.500	6.512	.500	32	340826	S	.312	.500	.506	.125	34
*327984◀	T	5.312	6.500	6.513	.500	32	340827	S	.375	.562	.568	.125	34
*327985T◀	T	5.312	6.500	6.513	.500	32	340835	S	1.125	1.375	1.381	.125	34
327995★◀	V	76,00	92,00	92,28	9,60	32							
		2.992	3.622	3.633	.378								

For Illustration and Material Data See Technical Section

➔ Hydrodynamic Lip Design-CW ◀ Hydrodynamic Lip Design-CCW ◀➔ Hydrodynamic Lip Design-Bidirectional

Numerical List Size & Type

Part No.	Lip Mat'l	Shaft Size	Hsg. Bore	Seal O.D.	Seal Width	Type/Illus.	Part No.	Lip Mat'l	Shaft Size	Hsg. Bore	Seal O.D.	Seal Width	Type/Illus.
340000 SERIES (cont.)							350000 SERIES (cont.)						
340847	S	.500	.750	.756	.125	34	*351518	S	1.362	2.241	2.249	.250	35
340849	S	.625	.875	.883	.093	34	351646	S	.875	1.624	1.630	.250	35
340850	S	.875	1.187	1.193	.187	34	352354	S	1.375	1.874	1.880	.250	32
340853	S	1.375	1.750	1.756	.187	34	352444	S	1.437	2.062	2.068	.250	35
340872	S	.156	.500	.504	.187	34	352521	S	1.500	2.000	2.006	.250	32
340900	S	2.093	2.716	2.725	.250	34	352541	S	2.000	2.502	2.508	.250	35
340927	S	1.562	2.096	2.102	.250	34	352560	S	1.125	1.561	1.567	.250	35
340930	S	1.437	2.000	2.006	.125	34	352637	S	2.250	3.035	3.044	.375	35
*340980	S	1.500	2.062	2.066	.240	34	353120	S	1.875	2.397	2.403	.250	35
341022	S	2.250	2.625	2.636	.187	34	353131	S	.812	1.375	1.381	.250	35
*341119★	S	<i>58,00</i>	<i>80,98</i>	<i>81,18</i>	<i>6,35</i>	34	353132	S	.875	1.308	1.314	.250	35
		2.283	3.188	3.196	.250		353135	S	1.250	1.686	1.692	.219	35
*341518	S	1.362	2.241	2.249	.250	34	353137	S	1.281	2.000	2.006	.250	35
*342047	S	.390	.750	.756	.250	34	353141	S	1.687	2.279	2.285	.250	35
*342214	S	1.312	1.750	1.758	.250	34	*353676★	S	<i>50,00</i>	<i>68,00</i>	<i>68,28</i>	<i>8,00</i>	35
342517	S	1.000	1.312	1.318	.125	34			1.969	2.677	2.688	.315	
342518	S	.750	1.000	1.005	.125	34	354040	T	1.750	2.500	2.508	.375	35
342613	S	.500	.875	.881	.125	34	354041	T	1.771	2.622	2.628	.500	35
342614	S	.500	.875	.881	.250	34	354967	S	2.950	3.741	3.752	.394	35
342805	S	.500	.687	.693	.093	34	355200	S	4.500	5.501	5.511	.500	35
343098	S	1.000	1.247	1.253	.187	34	*355305	S	3.500	4.501	4.511	.528	35
343099	S	1.500	1.874	1.880	.250	34	*355305N	N	3.500	4.501	4.511	.528	35
343101	S	.437	.624	.633	.125	34	355526	S	3.000	3.876	3.885	.500	35
343104	S	.250	.499	.505	.187	34	*355590V★↔	V	<i>116,50</i>	<i>135,00</i>	<i>135,30</i>	<i>13,00</i>	35
343105	S	.625	.936	.942	.187	34			4.587	5.315	5.327	.512	
343123	S	1.000	1.563	1.569	.187	34	355660H	H	3.622	4.331	4.342	.394	35
343185	S	.750	1.125	1.131	.156	34	355669	S	3.040	3.937	3.946	.250	35
343186	S	1.250	1.499	1.505	.125	34	355732	S	2.500	4.250	4.260	.500	35
345035	S	4.000	4.999	5.008	.312	34	*355737	S	2.125	3.547	3.557	.375	35
345146	S	3.500	4.499	4.508	.250	34	*357971V	V	5.748	6.751	6.763	.500	35
*345214	S	4.812	6.000	6.010	.250	34							
*345214H	H	4.812	6.000	6.010	.250	34	360000 SERIES						
345448	S	5.250	6.250	6.260	.250	34	365008%	S	2.687	3.876	3.876	.250	36
*345703	S	3.250	4.330	4.340	.250	34							
*345887	S	2.500	3.750	3.759	.250	34							
							370000 SERIES						
350156	S	.375	.874	.883	.312	35	370001A	S	3.500	4.842	4.848	.925	09
*350319	S	1.500	2.000	2.010	.437	35	370002A	S	3.500	5.000	5.006	1.000	03
350364	S	.312	.750	.756	.250	35	370003A	S	4.765	6.311	6.318	1.078	11
*350385	S	.375	.750	.756	.250	35	370004A	S	4.812	6.500	6.507	.865	03
350394	S	1.500	2.125	2.134	.437	35	370005A	S	4.765	6.251	6.265	.605	09
350414	S	1.000	1.437	1.445	.250	35	370006A	S	4.765	6.999	7.006	1.250	03
350435	S	.250	.750	.758	.250	35	370007A	S	4.875	6.373	6.379	.921	03
*350509★	S	<i>15,00</i>	<i>25,00</i>	<i>25,22</i>	<i>7,00</i>	35	370008A	S	3.937	5.372	5.378	1.015	11
		.591	.984	.993	.276		370009A	S	3.937	5.501	5.507	.937	03
350567	S	.875	1.375	1.385	.312	35	370010A	S	2.875	4.125	4.130	.842	01
350572★	V	<i>40,00</i>	<i>72,00</i>	<i>72,35</i>	<i>7,00</i>	35	370011A	S	3.625	5.000	5.014	.875	05
		1.575	2.835	2.848	.276		370012A	S	3.625	4.810	4.823	.921	07
350609★↔	N	<i>44,00</i>	<i>68,00</i>	<i>68,30</i>	<i>8,00</i>	35	370013A	S	3.312	5.000	5.006	.937	03
		1.732	2.677	2.689	.315		370014A	S	3.125	4.500	4.506	.605	06
*350612★	V	<i>40,00</i>	<i>56,00</i>	<i>56,26</i>	<i>7,00</i>	35	370015A	S	4.000	5.375	5.381	1.000	03
		1.575	2.205	2.215	.276		370018A	S	3.250	4.500	4.506	.605	06
350679	S	.750	1.250	1.258	.312	35	370019A	S	4.375	6.251	6.256	.605	06
350823	S	1.875	2.502	2.506	.328	35	370020A	S	4.500	6.000	6.007	.984	03
*350858★	S	<i>52,00</i>	<i>72,00</i>	<i>72,28</i>	<i>8,00</i>	35	370021A	S	4.500	6.251	6.265	.610	09
		2.047	2.835	2.846	.315		370022A	S	4.500	5.750	5.756	.960	09
350877	S	.875	1.575	1.581	.250	35	370023A	S	3.875	5.690	5.706	.875	11
*350878	S	1.281	1.997	2.005	.375	35	370024A	S	3.875	5.501	5.515	.875	11
350909	S	1.000	1.502	1.510	.312	35	370025A	S	4.625	5.999	6.008	.840	11
350936	S	1.875	2.561	2.571	.312	35	370026A	S	4.635	6.007	6.014	.937	03
*350936N	N	1.875	2.561	2.571	.312	35	370027A	S	4.812	6.311	6.316	1.062	03
350954	S	.750	1.250	1.256	.250	35	370028A	S	5.000	6.250	6.256	1.375	01
350974	S	1.125	1.850	1.859	.312	35	370029A	S	3.187	5.000	5.006	.765	03
351028	S	.490	1.122	1.132	.265	35	370030A	S	4.265	6.064	6.071	.605	06
351255	S	.625	1.375	1.381	.250	35	370031A	S	4.250	6.250	6.256	1.188	09
351267	S	.875	1.375	1.381	.250	35	370033A	S	3.875	5.126	5.132	.605	06
351466	S	.625	1.124	1.130	.250	35	370034A	S	4.375	6.311	6.317	1.090	03
351487	S	.625	.999	1.005	.250	35	370036A	S	4.000	5.757	5.772	.930	09
							370037A	S	4.375	5.757	5.763	1.000	03
							370038A	S	5.000	7.437	7.444	.605	06

NUMERICAL SECTION

For Illustration and Material Data See Technical Section

↔ Hydrodynamic Lip Design-CCW ↔ Hydrodynamic Lip Design-Bidirectional % External Bore

* The U.S. customer service number is 877-4-TIMKEN. The Canadian customer service numbers are 800-565-4927 (English) and 800-565-0438 (French-Canadian). ★ Metric Seal

Part No.	Lip Mat'l	Shaft Size	Hsg. Bore	Seal O.D.	Seal Width	Type/ Illus.	Part No.	Lip Mat'l	Shaft Size	Hsg. Bore	Seal O.D.	Seal Width	Type/ Illus.
370000 SERIES (cont.)							380000 SERIES (cont.)						
370039A	S	5.500	7.437	7.444	1.000	03	380023A	T	3.875	5.690	5.706	.770	10
370043A	S	5.500	7.125	7.132	1.187	03	380025A	T	4.625	5.999	6.005	.937	10
370046A	S	3.125	4.625	4.631	.605	06	380031A	T	4.250	6.250	6.256	1.188	10
370047A	S	3.437	4.755	4.761	.605	06	380036A	T	4.000	5.757	5.772	.930	10
370048A	S	4.375	5.905	5.911	1.000	03	380048A	T	4.375	5.905	5.918	1.015	10
370051A	S	4.625	6.622	6.629	1.093	03	380065A	T	4.250	6.000	6.008	1.000	10
370054A	S	2.875	4.175	4.181	.822	03	380069A	T	5.250	7.375	7.386	1.000	3
370057A	S	4.875	6.437	6.444	.921	03	380131A	T	4.500	5.876	5.892	.984	10
370063A	S	5.000	6.250	6.256	.605	06	386025A	T	4.625	.000	5.998	.580	10
370064A	S	5.625	7.186	7.194	.906	03	386590A	T	4.252	6.007	6.048	.580	10
370065A	S	4.250	6.008	6.022	1.000	09	390000 SERIES						
370066A	S	4.000	5.626	5.632	.605	06	*392076	S	2.231	3.371	3.376	.812	#
370069A	S	5.250	7.375	7.386	1.000	03	*392077	S	1.996	2.996	3.001	.812	#
*370077A	S	6.000	7.875	7.881	.605	06	*395068	S	4.875	6.250	6.256	.812	#
370078A	S	4.500	6.622	6.629	1.093	03	*396412	S	8.345	10.750	10.758	1.125	#
*370082A	S	7.375	9.054	9.063	1.062	03	*396440	S	8.000	10.000	10.008	1.145	#
370086A	S	4.500	6.310	6.316	1.175	03	*396487	S	2.930	4.375	4.380	1.120	#
*370087A	S	4.000	5.248	5.254	.605	06	410000 SERIES						
370094A	S	4.125	5.375	5.381	.605	06	*410005	S	.500	1.124	1.128	.375	41
370106A	S	4.166	5.500	5.506	.605	06	*410007	S	.562	1.124	1.128	.375	41
370107A	S	4.250	6.035	6.047	.915	03	*410009	S	.625	1.124	1.128	.375	41
370109A	S	4.875	6.622	6.629	1.000	03	*410009N	N	.625	1.124	1.128	.375	41
370119A	S	5.640	7.501	7.507	.605	06	*410014	S	.500	1.250	1.254	.375	41
370120A	S	5.500	7.250	7.256	1.187	03	*410016	S	.562	1.250	1.254	.375	41
370121A	S	4.875	6.500	6.506	1.000	03	*410018	S	.625	1.250	1.254	.375	41
370124A	S	4.500	5.374	5.391	.984	07	*410019	S	.500	1.375	1.379	.406	41
*370127A	S	2.752	3.937	3.942	.565	#	*410021	S	.562	1.375	1.379	.406	41
370131A	S	4.500	5.876	5.892	.984	11	*410023	S	.625	1.375	1.379	.406	41
370132A	S	3.500	4.543	4.558	.788	07	*410025	S	.687	1.375	1.379	.406	41
370145A	S	3.125	4.174	4.188	.500	07	*410027	S	.750	1.375	1.379	.406	41
*370149A	S	6.625	8.007	8.014	.605	06	*410028	S	.750	1.499	1.503	.390	41
370150A	S	2.875	3.875	3.889	.500	07	*410032	S	.875	1.499	1.503	.390	41
*370151A	S	7.875	10.234	10.242	.605	06	*410033	S	.750	1.828	1.832	.437	41
*370154A	S	5.000	7.000	7.006	1.000	03	*410037	S	.875	1.828	1.832	.437	41
*370155A	S	2.740	3.937	3.942	.565	06	*410040	S	.968	1.828	1.832	.437	41
370165A	S	3.875	5.376	5.381	.985	03	*410041	S	1.000	1.828	1.832	.437	41
370166A	S	5.000	6.622	6.629	1.093	03	*410045	S	1.125	1.828	1.832	.437	41
370169A	S	3.500	4.751	4.757	.605	07	*410047	S	1.187	1.983	1.987	.437	41
370173A	S	4.765	6.250	6.257	1.050	01	*410049	S	1.250	1.983	1.987	.437	41
370175A	S	7.250	8.750	8.758	.605	06	*410052	S	1.187	2.062	2.066	.437	41
370178A	S	4.500	5.500	5.515	.675	07	*410053	S	1.312	2.374	2.378	.500	41
370179A	S	3.500	4.450	4.456	.843	07	*410055	S	1.375	2.374	2.378	.500	41
370181A	S	4.765	5.999	6.006	1.031	01	*410057	S	1.437	2.374	2.378	.500	41
370182A	S	4.375	5.905	5.910	1.000	08	410059	S	1.500	2.374	2.378	.500	41
370191A	S	3.312	4.501	4.506	.605	06	*410059H	H	1.500	2.374	2.378	.500	41
370192A	S	4.500	6.441	6.447	.937	03	*410059N	N	1.500	2.374	2.378	.500	41
370195A	S	4.875	6.001	6.015	.625	07	*410060	S	1.531	2.374	2.378	.500	41
370198A	S	4.040	5.122	5.130	.945	09	*410060V	V	1.531	2.374	2.378	.500	41
370199A	V	2.359	3.938	3.952	.575	09	*410061	S	1.375	2.437	2.441	.468	41
370211A	S	2.948	4.725	4.738	.526	07	*410062	S	1.437	2.437	2.441	.468	41
370212A	V	3.539	5.277	5.291	.604	07	*410063	S	1.500	2.437	2.441	.468	41
370215A	V	5.000	7.000	7.015	1.130	#	*410064	S	1.562	2.437	2.441	.468	41
370216A	S	4.625	5.999	6.006	.890	11	*410064H	H	1.562	2.437	2.441	.468	41
370219A	S	2.250	3.372	3.377	.475	12	*410066	S	1.625	2.437	2.441	.468	41
370220A*	S	119.99	150.01	150.16	14.99	11	*410067	S	1.500	2.502	2.506	.500	41
		4.724	5.906	5.912	.590		*410067H	H	1.500	2.502	2.506	.500	41
*370223A	S	2.938	3.750	3.765	.530	#	*410069	S	1.625	2.623	2.627	.500	41
*370224A	S	4.768	6.999	7.039	.735	02	*410070	S	1.750	2.623	2.627	.500	41
370338A=	S	4.375	5.757	5.798	.600	02	*410070N	N	1.750	2.623	2.627	.500	41
370349A=	S	4.000	5.757	5.798	.600	02	*410071	S	1.875	2.623	2.627	.500	41
370352A	S	2.750	3.779	3.792	.767	08	*410071N	N	1.875	2.623	2.627	.500	41
376590A=	S	4.250	6.048	6.048	.680	04	*410074	S	1.687	2.686	2.690	.500	41
380000 SERIES							*410076	S	1.750	2.686	2.690	.500	41
380001A	T	3.500	4.842	4.847	.910	10	*410077	S	1.500	2.758	2.762	.500	41
380003A	T	4.765	6.311	6.318	1.132	10	*410080	S	1.687	2.875	2.879	.468	41
380009A	T	3.937	5.501	5.507	.937	03	*410082	S	1.875	2.875	2.879	.468	41
380022A	T	4.500	5.750	5.756	.960	10	*410082H	H	1.875	2.875	2.879	.468	41

For Illustration and Material Data See Technical Section

Designed For A Specific Application - Not Recommended For General Use = w/Metal ID

Numerical List Size & Type

Part No.	Lip Mat'l	Shaft Size	Hsg. Bore	Seal O.D.	Seal Width	Type/ Illus.	Part No.	Lip Mat'l	Shaft Size	Hsg. Bore	Seal O.D.	Seal Width	Type/ Illus.
410000 SERIES (cont.)							410000 SERIES (cont.)						
*410083	S	2.000	2.875	2.879	.468	41	*410169N	N	1.375	2.250	2.254	.500	41
*410083N	N	2.000	2.875	2.879	.468	41	*410171	S	1.437	2.250	2.254	.500	41
*410084	S	1.875	2.996	3.001	.500	41	*410177	S	1.250	2.106	2.110	.468	41
410085	S	2.000	2.996	3.001	.500	41	*410179	S	1.312	2.106	2.110	.468	41
*410085H	H	2.000	2.996	3.001	.500	41	*410182	S	1.125	1.983	1.987	.437	41
410085N	N	2.000	2.996	3.001	.500	41	*410183	S	1.750	2.750	2.754	.500	41
*410085V	V	2.000	2.996	3.001	.500	41	410183N	N	1.750	2.750	2.754	.500	41
*410086	S	1.687	3.062	3.066	.500	41	*410185	S	1.562	2.502	2.506	.500	41
*410087	S	1.750	3.061	3.066	.500	41	*410186	S	1.687	2.750	2.754	.500	41
*410088	S	1.750	3.189	3.194	.437	41	*410187	S	1.000	2.062	2.066	.437	41
*410088N	N	1.750	3.189	3.194	.437	41	*410189	S	1.125	1.752	1.756	.437	41
*410090	S	1.812	3.189	3.194	.437	41	410190	S	1.500	2.561	2.565	.500	41
*410092	S	1.875	3.189	3.194	.437	41	*410194	S	1.625	2.502	2.506	.500	41
*410094	S	1.937	3.189	3.194	.437	41	410194V	V	1.625	2.502	2.506	.500	41
*410095	S	2.000	3.189	3.194	.437	41	*410202	S	.562	.999	1.003	.375	41
*410097	S	2.125	3.350	3.355	.468	41	*410202N	N	.562	.999	1.003	.375	41
*410097N	N	2.125	3.350	3.355	.468	41	*410203	S	.781	1.375	1.379	.406	41
*410097V	V	2.125	3.350	3.355	.468	41	*410205	S	.687	1.499	1.503	.390	41
*410098	S	2.187	3.350	3.355	.468	41	*410211	S	.750	1.624	1.628	.437	41
*410099	S	2.250	3.350	3.355	.468	41	*410215	S	.875	1.624	1.628	.437	41
*410099N	N	2.250	3.350	3.355	.468	41	*410219	S	1.000	1.624	1.628	.437	41
*410100N	N	2.312	3.350	3.355	.468	41	*410219N	N	1.000	1.624	1.628	.437	41
*410101	S	2.375	3.350	3.355	.468	41	*410222	S	.750	1.752	1.756	.437	41
410101N	N	2.375	3.350	3.355	.468	41	*410230	S	1.000	1.752	1.756	.437	41
*410101S	S	2.375	3.350	3.355	.468	41	*410233	S	1.000	1.874	1.878	.437	41
*410101V	V	2.375	3.350	3.355	.468	41	*410236	S	1.125	1.874	1.878	.437	41
410102	S	2.000	3.371	3.376	.468	41	*410236H	H	1.125	1.874	1.878	.437	41
*410102N	N	2.000	3.371	3.376	.468	41	*410241	S	1.125	2.062	2.066	.437	41
*410103	S	2.375	3.481	3.486	.500	41	*410244	S	1.250	2.062	2.066	.437	41
*410109	S	1.562	2.750	2.754	.500	41	*410245	S	1.250	2.125	2.129	.437	41
*410115	S	2.125	2.996	3.001	.500	41	*410247	S	1.312	2.125	2.129	.437	41
*410115N	N	2.125	2.996	3.001	.500	41	*410247N	N	1.312	2.125	2.129	.437	41
*410117	S	1.875	2.750	2.754	.500	41	*410261	S	2.062	2.996	3.001	.500	41
*410117H	H	1.875	2.750	2.754	.500	41	*410262	S	1.562	2.623	2.627	.500	41
*410117N	N	1.875	2.750	2.754	.500	41	*410265	S	1.687	2.623	2.627	.500	41
410119	S	.500	.999	1.003	.375	41	*410265N	N	1.687	2.623	2.627	.500	41
*410120	S	1.000	1.499	1.503	.390	41	*410272	S	1.875	2.686	2.690	.500	41
*410120N	N	1.000	1.499	1.503	.390	41	*410273	S	1.562	2.758	2.762	.500	41
*410121	S	2.125	3.189	3.194	.437	41	*410283	S	1.875	2.758	2.762	.500	41
*410121V	V	2.125	3.189	3.194	.437	41	*410286	S	1.625	2.750	2.754	.500	41
*410122	S	1.437	2.623	2.627	.500	41	*410286N	N	1.625	2.750	2.754	.500	41
*410122H	H	1.437	2.623	2.627	.500	41	*410291	S	1.750	2.875	2.879	.468	41
*410129	S	1.312	2.062	2.066	.437	41	*410291N	N	1.750	2.875	2.879	.468	41
*410132	S	2.250	3.371	3.376	.468	41	*410295	S	1.937	2.875	2.879	.468	41
*410135	S	1.375	2.125	2.129	.437	41	*410295N	N	1.937	2.875	2.879	.468	41
*410135N	N	1.375	2.125	2.129	.437	41	*410298	S	1.875	3.000	3.005	.500	41
*410136	S	1.500	2.250	2.254	.500	41	*410298N	N	1.875	3.000	3.005	.500	41
*410137	S	.687	1.124	1.128	.375	41	*410300	S	1.937	3.000	3.005	.500	41
*410138	S	1.937	2.686	2.690	.500	41	*410301	S	2.000	3.000	3.005	.500	41
*410139	S	2.187	2.996	3.001	.500	41	*410301V	V	2.000	3.000	3.005	.500	41
*410141	S	.750	1.250	1.254	.375	41	*410303	S	2.125	3.000	3.005	.500	41
*410143	S	1.562	2.561	2.565	.500	41	*410303N	N	2.125	3.000	3.005	.500	41
*410144	S	1.437	2.502	2.506	.500	41	*410304	S	1.875	3.061	3.066	.500	41
*410152	S	1.187	2.125	2.129	.437	41	410308	S	2.125	3.061	3.066	.500	41
*410152N	N	1.187	2.125	2.129	.437	41	*410309	S	1.937	3.125	3.130	.500	41
*410153	S	1.375	2.106	2.110	.468	41	*410310	S	2.000	3.125	3.130	.500	41
*410154	S	1.687	2.502	2.506	.500	41	*410310H	H	2.000	3.125	3.130	.500	41
*410154N	N	1.687	2.502	2.506	.500	41	*410312	S	2.125	3.125	3.130	.500	41
*410155	S	1.750	2.758	2.762	.500	41	410312N	N	2.125	3.125	3.130	.500	41
*410157	S	1.000	2.000	2.004	.437	41	*410314	S	2.125	3.251	3.256	.500	41
*410160	S	1.125	2.000	2.004	.437	41	*410315	S	2.187	3.251	3.256	.500	41
*410162	S	1.187	2.000	2.004	.437	41	*410315N	N	2.187	3.251	3.256	.500	41
*410162N	N	1.187	2.000	2.004	.437	41	410316	S	2.250	3.251	3.256	.500	41
410163	S	1.250	2.000	2.004	.437	41	*410316H	H	2.250	3.251	3.256	.500	41
*410163N	N	1.250	2.000	2.004	.437	41	410316N	N	2.250	3.251	3.256	.500	41
*410165	S	1.250	2.250	2.254	.500	41	*410317	S	2.312	3.251	3.256	.500	41
*410167	S	1.312	2.250	2.254	.500	41	*410320	S	2.375	3.189	3.194	.437	41
*410169	S	1.375	2.250	2.254	.500	41	*410320H	H	2.375	3.189	3.194	.437	41

NUMERICAL SECTION

For Illustration and Material Data See Technical Section

◀ Hydrodynamic Lip Design-CCW

* The U.S. customer service number is 877-4-TIMKEN. The Canadian customer service numbers are 800-565-4927 (English) and 800-565-0438 (French-Canadian).

Part No.	Lip Mat'l	Shaft Size	Hsg. Bore	Seal O.D.	Seal Width	Type/ Illus.	Part No.	Lip Mat'l	Shaft Size	Hsg. Bore	Seal O.D.	Seal Width	Type/ Illus.
410000 SERIES (cont.)							410000 SERIES (cont.)						
*410320N	N	2.375	3.189	3.194	.437	41	*410525	S	2.437	3.125	3.130	.500	41
*410322	S	2.437	3.251	3.256	.500	41	*410530	S	2.000	2.996	3.001	.375	41
*410324	S	2.437	3.371	3.376	.468	41	*410530N	N	2.000	2.996	3.001	.375	41
*410326	S	1.500	2.996	3.001	.500	41	*410536	S	.562	1.246	1.250	.375	41
*410330	S	2.500	3.371	3.376	.468	41	*410539	S	1.625	3.000	3.005	.500	41
*410330N	N	2.500	3.371	3.376	.468	41	*410539N	N	1.625	3.000	3.005	.500	41
*410336	S	1.187	2.250	2.254	.500	41	*410543	S	2.000	2.716	2.720	.468	41
*410340	S	.750	1.561	1.565	.375	41	*410551	S	2.312	3.125	3.130	.500	41
*410341	S	1.250	2.713	2.717	.468	41	*410552	S	2.375	3.125	3.130	.500	41
*410344	S	1.187	1.828	1.832	.437	41	*410552N	N	2.375	3.125	3.130	.500	41
*410350	S	2.375	3.371	3.376	.468	41	*410553	S	1.000	1.499	1.503	.312	41
*410352	S	1.750	2.502	2.506	.500	41	*410559	S	1.250	2.374	2.378	.500	41
*410354	S	2.187	3.189	3.194	.437	41	*410562	S	1.687	2.374	2.378	.500	41
*410355	S	.687	1.250	1.254	.375	41	*410565	S	2.375	3.125	3.130	.375	41
*410358	S	1.625	2.374	2.378	.500	41	*410565N	N	2.375	3.125	3.130	.375	41
*410358H	H	1.625	2.374	2.378	.500	41	*410567	S	.875	1.375	1.379	.312	41
*410358N	N	1.625	2.374	2.378	.500	41	*410571	S	2.000	3.251	3.256	.500	41
*410359	S	1.750	2.996	3.001	.500	41	*410574	S	2.375	3.251	3.256	.500	41
*410360	S	2.000	2.686	2.690	.500	41	*410574N	N	2.375	3.251	3.256	.500	41
*410361	S	1.750	2.561	2.565	.500	41	*410580	S	.750	1.575	1.579	.375	41
*410365	S	2.125	2.875	2.879	.468	41	*410596	S	1.687	2.835	2.839	.468	41
*410369	S	1.531	2.623	2.627	.500	41	*410605	S	2.500	3.371	3.376	.375	41
*410374	S	2.437	3.350	3.355	.468	41	*410610	S	.750	1.874	1.878	.437	41
*410374N	N	2.437	3.350	3.355	.468	41	*410614	S	2.250	3.251	3.256	.437	41
*410375	S	1.763	2.412	2.416	.468	41	*410614N	N	2.250	3.251	3.256	.437	41
*410381	S	1.125	1.624	1.628	.437	41	*410626	S	2.625	3.371	3.376	.468	41
*410389	S	2.000	2.750	2.754	.500	41	*410626N	N	2.625	3.371	3.376	.468	41
*410389N	N	2.000	2.750	2.754	.500	41	*410639	S	2.125	2.835	2.839	.468	41
*410394	S	1.500	2.125	2.129	.437	41	*410680	S	.875	1.499	1.503	.312	41
*410394H	H	1.500	2.125	2.129	.437	41	*410680N	N	.875	1.499	1.503	.312	41
*410394N	N	1.500	2.125	2.129	.437	41	*410681	S	2.187	3.125	3.130	.500	41
*410398	S	.875	1.374	1.379	.406	41	410686N	N	2.375	3.483	3.488	.500	41
*410403	S	1.375	2.062	2.066	.437	41	410686N	N	2.375	3.483	3.488	.500	41
*410410	S	2.000	2.623	2.627	.500	41	410694	S	2.312	3.350	3.355	.375	41
*410418	S	1.562	2.875	2.879	.468	41	410708	S	2.625	3.374	3.379	.468	41
*410421	S	1.687	2.714	2.718	.468	41	*410719	S	1.750	3.000	3.005	.500	41
*410424	S	.875	1.874	1.878	.437	41	*410720	S	1.875	3.125	3.130	.500	41
*410433	S	2.250	3.125	3.130	.500	41	410737	S	2.250	3.189	3.194	.437	41
*410438	S	1.562	2.374	2.378	.500	41	*410746	S	1.437	2.686	2.690	.500	41
*410441	S	2.250	2.996	3.001	.500	41	*410751	S	1.562	2.686	2.690	.500	41
*410441N	N	2.250	2.996	3.001	.500	41	410752	S	2.500	3.247	3.252	.500	41
*410444	S	1.375	2.502	2.506	.500	41	*410755	S	1.625	2.250	2.254	.500	41
*410444H	H	1.375	2.502	2.506	.500	41	*410765	S	1.687	2.716	2.720	.468	41
*410449	S	1.000	1.561	1.565	.375	41	*410776	S	1.375	2.686	2.690	.500	41
*410451	S	1.500	2.062	2.066	.437	41	*410781	S	.875	1.575	1.579	.375	41
*410452	S	1.375	2.835	2.839	.468	41	*410791	S	.625	1.124	1.128	.312	41
*410453	S	1.437	2.125	2.129	.437	41	410791V	V	.625	1.124	1.128	.312	41
*410453N	N	1.437	2.125	2.129	.437	41	*410795	S	1.625	2.441	2.445	.500	41
*410453V	V	1.437	2.125	2.129	.437	41	*410803	S	1.562	2.716	2.720	.468	41
*410456	S	1.375	2.716	2.720	.468	41	*410806	S	1.250	2.835	2.839	.468	41
*410460	S	1.687	2.561	2.565	.500	41	*410808	S	1.437	2.750	2.754	.500	41
*410461	S	1.500	2.750	2.754	.500	41	*410814	S	1.500	2.441	2.445	.500	41
*410463	S	1.375	2.750	2.754	.500	41	*410818	S	1.000	1.575	1.579	.375	41
*410467	S	1.625	3.251	3.256	.500	41	410825	S	2.375	3.623	3.628	.375	41
*410479	S	1.687	2.437	2.441	.468	41	*410867	S	2.125	2.875	2.879	.437	41
*410481	S	1.250	2.437	2.441	.468	41	410867N	N	2.125	2.875	2.879	.437	41
*410487	S	1.500	2.686	2.690	.500	41	*410867V	V	2.125	2.875	2.879	.437	41
*410489	S	2.187	2.875	2.879	.468	41	*410895	S	.750	1.375	1.379	.312	41
410496	S	2.500	3.350	3.355	.468	41	*410929	S	1.750	2.374	2.378	.500	41
*410503	S	1.312	2.437	2.441	.468	41	*410930	S	1.437	2.000	2.004	.437	41
*410504	S	1.375	2.623	2.627	.500	41	*410930N	N	1.437	2.000	2.004	.437	41
410519	S	2.500	3.251	3.256	.500	41	*410965	S	1.937	3.350	3.355	.468	41
410520	S	2.250	3.000	3.005	.500	41	*410966	S	2.000	2.875	2.879	.500	41
*410520N	N	2.250	3.000	3.005	.500	41	*410972	S	2.125	3.371	3.376	.468	41
*410521	S	1.312	1.874	1.878	.437	41	410972N	N	2.125	3.371	3.376	.468	41
*410522	S	1.375	2.000	2.004	.437	41	*410975	S	.625	1.499	1.503	.390	41
*410523	S	1.500	2.875	2.879	.468	41	*410984	S	1.500	2.716	2.720	.468	41
410524	S	1.875	3.371	3.376	.468	41	410987	S	2.375	3.481	3.486	.437	41

For Illustration and Material Data See Technical Section

* The U.S. customer service number is 877-4-TIMKEN. The Canadian customer service numbers are 800-565-4927 (English) and 800-565-0438 (French-Canadian).

Numerical List Size & Type

Part No.	Lip Mat'l	Shaft Size	Hsg. Bore	Seal O.D.	Seal Width	Type/ Illus.	Part No.	Lip Mat'l	Shaft Size	Hsg. Bore	Seal O.D.	Seal Width	Type/ Illus.
410000 SERIES (cont.)							410000 SERIES (cont.)						
*410988	S	2.375	3.061	3.066	.500	41	*411662	S	1.000	1.624	1.628	.312	41
*410988N	N	2.375	3.061	3.066	.500	41	*411698	S	.750	1.752	1.756	.312	41
*410989	S	1.375	3.000	3.005	.500	41	*411700	S	.875	1.752	1.756	.312	41
*411000	S	1.375	2.250	2.254	.375	41	*411703	S	1.000	1.752	1.756	.312	41
*411016	S	1.562	2.125	2.129	.437	41	*411703N	N	1.000	1.752	1.756	.312	41
*411024	S	.625	1.624	1.628	.437	41	*411706	S	1.125	1.752	1.756	.312	41
*411030	S	1.750	2.717	2.721	.468	41	*411709	S	1.250	1.752	1.756	.312	41
*411060	S	1.125	2.125	2.129	.437	41	*411709V	V	1.250	1.752	1.756	.312	41
*411078	S	1.875	3.251	3.256	.500	41	*411842	S	1.250	2.502	2.506	.500	41
*411084	S	1.562	2.250	2.254	.500	41	*411847	S	1.375	2.561	2.565	.500	41
*411091	S	2.000	3.062	3.066	.500	41	*411854	S	1.937	2.561	2.565	.500	41
*411100	S	1.125	1.624	1.628	.312	41	*411857	S	1.500	2.623	2.627	.500	41
*411100N	N	1.125	1.624	1.628	.312	41	*411857N	N	1.500	2.623	2.627	.500	41
*411105	S	1.375	2.875	2.879	.468	41	*411883	S	2.000	2.686	2.690	.437	41
*411138	S	2.250	3.125	3.130	.375	41	*411883H	H	2.000	2.686	2.690	.437	41
411143N	N	2.625	3.251	3.256	.437	41	*411923N	N	1.625	2.875	2.879	.437	41
*411160	S	2.312	3.000	3.005	.500	41	*411936	S	1.875	2.875	2.879	.437	41
*411160N	N	2.312	3.000	3.005	.500	41	*411936N	N	1.875	2.875	2.879	.437	41
411160V	V	2.312	3.000	3.005	.500	41	*411937	S	1.937	2.750	2.754	.500	41
*411178	S	2.375	3.112	3.117	.500	41	*411940	S	1.937	2.875	2.879	.437	41
*411234	S	2.250	3.061	3.066	.500	41	*411943	S	2.000	2.835	2.839	.468	41
*411234N	N	2.250	3.061	3.066	.500	41	*411944	S	2.000	2.875	2.879	.437	41
411245	S	2.437	3.500	3.505	.375	41	*411949	S	2.125	2.750	2.754	.500	41
*411246	S	1.250	1.874	1.878	.437	41	*411949H	H	2.125	2.750	2.754	.500	41
411253	S	2.250	3.350	3.355	.375	41	*411949N	N	2.125	2.750	2.754	.500	41
*411268	S	1.375	2.000	2.004	.375	41	*411952	S	2.187	2.835	2.839	.468	41
*411268N	N	1.375	2.000	2.004	.375	41	*411953	S	2.187	2.875	2.879	.437	41
*411271	S	2.500	3.251	3.256	.375	41	*411953N	N	2.187	2.875	2.879	.437	41
*411272	S	2.250	3.000	3.005	.375	41	*411962	S	1.562	2.996	3.001	.500	41
411275	V	3.250	4.249	4.254	.468	41	*411978N	N	1.625	3.125	3.130	.500	41
*411275H	H	3.250	4.249	4.254	.468	41	*411983	S	1.750	2.996	3.001	.437	41
*411275N	N	3.250	4.249	4.254	.468	41	*412008	S	2.000	2.996	3.001	.437	41
*411294	S	.500	1.124	1.128	.312	41	*412012	S	2.062	3.000	3.005	.375	41
*411297	S	.687	1.125	1.129	.312	41	412015V	V	2.125	3.000	3.005	.375	41
*411302	S	1.375	2.374	2.378	.437	41	*412016	S	2.125	3.125	3.130	.375	41
*411316H	H	1.562	2.686	2.690	.375	41	*412016N	N	2.125	3.125	3.130	.375	41
*411324	S	.625	1.375	1.379	.312	41	*412017	S	2.187	2.996	3.001	.437	41
411330	S	2.598	3.481	3.486	.500	41	*412018	S	2.187	3.000	3.005	.375	41
411330N	N	2.598	3.481	3.486	.500	41	*412019	S	2.187	3.062	3.066	.500	41
*411337	S	.781	1.752	1.756	.312	41	*412020	S	2.187	3.125	3.130	.375	41
*411338	S	2.187	3.000	3.005	.500	41	*412022	S	1.875	3.251	3.256	.437	41
*411341	S	2.250	2.996	3.001	.437	41	412027	S	2.000	3.251	3.256	.437	41
*411341N	N	2.250	2.996	3.001	.437	41	412028	S	2.000	3.350	3.355	.468	41
411348	S	2.812	4.249	4.254	.468	41	*412032	S	2.125	3.251	3.256	.437	41
*411352	S	1.312	2.000	2.004	.437	41	*412035	S	2.187	3.371	3.376	.468	41
411376	S	2.250	3.500	3.505	.375	41	*412038	S	2.375	3.251	3.256	.437	41
*411385	S	.750	1.983	1.987	.437	41	412038N	N	2.375	3.251	3.256	.437	41
411394	S	2.312	3.251	3.256	.375	41	412040	S	2.437	3.251	3.256	.437	41
*411414	S	3.375	4.376	4.381	.562	41	412119	S	2.375	3.350	3.355	.375	41
*411414N	N	3.375	4.376	4.381	.562	41	412473	S	3.375	4.376	4.381	.375	41
*411429N	N	2.000	2.880	2.884	.500	41	*412572	S	1.875	2.750	2.754	.312	41
*411452	S	2.250	2.987	2.991	.500	41	*412691	S	1.375	2.374	2.378	.750	41
*411456	S	1.187	1.874	1.878	.437	41	412725	S	2.000	3.150	3.155	.375	41
*411463	S	1.875	2.835	2.839	.468	41	412798N	N	2.062	3.000	3.005	.437	41
*411475	S	2.625	3.543	3.548	.500	41	412861	S	2.375	3.543	3.548	.375	41
*411475N	N	2.625	3.543	3.548	.500	41	412871	S	2.625	3.350	3.355	.375	41
411500	S	2.437	3.350	3.355	.375	41	412920	S	2.250	3.371	3.376	.375	41
*411509H	H	2.500	3.250	3.256	.437	41	412920V	V	2.250	3.371	3.376	.375	41
*411509N	N	2.500	3.250	3.256	.437	41	412943	S	2.187	3.350	3.355	.375	41
*411509V	V	2.500	3.250	3.256	.437	41	*413244	S	2.187	2.875	2.879	.375	41
*411531	S	.562	1.124	1.128	.312	41	*413244N	N	2.187	2.875	2.879	.375	41
*411557	S	.562	1.375	1.379	.312	41	*413245	S	2.187	3.251	3.256	.375	41
*411577	S	.625	1.499	1.503	.312	41	413246	S	2.375	3.251	3.256	.375	41
*411580	S	.750	1.499	1.503	.312	41	413246N	N	2.375	3.251	3.255	.375	41
*411582	S	.937	1.499	1.504	.312	41	413247	S	2.375	3.371	3.376	.375	41
*411653	S	.625	1.624	1.628	.312	41	413248	S	2.625	3.371	3.376	.375	41
*411656	S	.750	1.624	1.628	.312	41	*413293	S	1.187	2.125	2.129	.375	41
*411659	S	.875	1.624	1.628	.312	41	*413293N	N	1.187	2.125	2.129	.375	41

NUMERICAL SECTION

For Illustration and Material Data See Technical Section

* The U.S. customer service number is 877-4-TIMKEN. The Canadian customer service numbers are 800-565-4927 (English) and 800-565-0438 (French-Canadian).

Part No.	Lip Mat'l	Shaft Size	Hsg. Bore	Seal O.D.	Seal Width	Type/ Illus.	Part No.	Lip Mat'l	Shaft Size	Hsg. Bore	Seal O.D.	Seal Width	Type/ Illus.
410000 SERIES (cont.)							410000 SERIES (cont.)						
*413310	S	1.609	2.750	2.754	.500	41	*415036N	N	4.000	5.500	5.506	.562	41
413469	S	2.125	3.350	3.355	.375	41	*415039	S	4.187	5.501	5.506	.562	41
413470	S	2.125	3.371	3.376	.375	41	*415039N	N	4.187	5.501	5.506	.562	41
413470V	V	2.125	3.371	3.376	.375	41	*415040	S	4.250	5.501	5.506	.562	41
413472	S	2.187	3.371	3.376	.375	41	*415040N	N	4.250	5.501	5.506	.562	41
*413477	S	2.437	3.251	3.256	.375	41	415041	S	4.000	5.751	5.756	.562	41
413478	S	2.437	3.371	3.376	.375	41	*415041N	N	4.000	5.751	5.756	.562	41
413479	S	2.562	3.481	3.486	.375	41	415043	S	4.125	5.751	5.756	.562	41
*413638	S	1.375	3.543	3.548	.500	41	*415044	S	4.187	5.751	5.756	.562	41
*413697N	N	1.343	2.106	2.110	.312	41	415045	S	4.250	5.751	5.756	.562	41
*413799	S	1.625	2.087	2.091	.275	41	415047	S	4.375	5.751	5.756	.562	41
413818★	S	50.00	70.00	70.10	7.00	41	*415049	S	4.500	5.751	5.756	.562	41
		1.969	2.756	2.760	.276		*415052	S	8.000	10.125	10.133	.750	41
414045	S	1.875	2.782	2.786	.500	41	*415053	S	4.750	5.751	5.756	.562	41
*414072★	S	62.00	85.00	85.13	8.00	41	*415053H	H	4.750	5.751	5.756	.562	41
		2.441	3.346	3.352	.315		*415053N	N	4.750	5.751	5.756	.562	41
414268	S	1.625	3.000	3.004	.312	41	*415053V	V	4.750	5.751	5.756	.562	41
415001	S	2.500	3.543	3.548	.500	41	*415054	S	4.000	6.250	6.256	.562	41
415001N	N	2.500	3.543	3.548	.500	41	415058	S	4.250	6.250	6.256	.562	41
*415002	S	2.562	3.623	3.628	.468	41	415060	S	4.375	6.250	6.256	.562	41
*415002H	H	2.562	3.623	3.628	.468	41							
415003	S	2.625	3.623	3.628	.468	41	*415062	S	4.500	6.250	6.256	.562	41
*415003N	N	2.625	3.623	3.628	.468	41	*415062H	H	4.500	6.250	6.256	.562	41
*415003V	V	2.625	3.623	3.628	.468	41	415064	S	4.625	6.250	6.256	.562	41
415004	S	2.750	3.751	3.756	.500	41	415066	S	4.750	6.250	6.256	.562	41
*415004H	H	2.750	3.751	3.756	.500	41	*415068	S	4.875	6.250	6.256	.562	41
*415004N	N	2.750	3.751	3.756	.500	41	*415068N	N	4.875	6.250	6.256	.562	41
415004V	V	2.750	3.751	3.756	.500	41	*415070	S	5.000	6.250	6.256	.562	41
*415006	S	2.875	3.751	3.756	.500	41	*415070N	N	5.000	6.250	6.256	.562	41
*415006N	N	2.875	3.751	3.756	.500	41	*415070V	V	5.000	6.250	6.256	.562	41
*415006V	V	2.875	3.751	3.756	.500	41	*415071	S	5.125	6.374	6.382	.625	41
415007	S	2.625	3.876	3.881	.468	41	415072	S	6.000	7.500	7.508	.562	41
415009	S	2.750	3.876	3.881	.468	41	*415072H	H	6.000	7.500	7.508	.562	41
415009N	N	2.750	3.876	3.881	.468	41	*415072V	V	6.000	7.500	7.508	.562	41
*415011	S	2.875	4.003	4.008	.468	41	*415073	S	5.500	6.749	6.756	.625	41
*415011H	H	2.875	4.003	4.008	.468	41	*415073H	H	5.500	6.749	6.756	.625	41
*415011N	N	2.875	4.003	4.008	.468	41	*415073N	N	5.500	6.749	6.756	.625	41
*415012	S	2.937	4.003	4.008	.468	41	*415073V	V	5.500	6.749	6.756	.625	41
*415012N	N	2.937	4.003	4.008	.468	41	415074	S	6.125	7.500	7.508	.562	41
415012V	V	2.937	4.003	4.008	.468	41	*415074H	H	6.125	7.500	7.508	.562	41
415013	S	3.000	4.003	4.008	.468	41	*415074N	N	6.125	7.500	7.508	.562	41
415013N	N	3.000	4.003	4.008	.468	41							
*415013V	V	3.000	4.003	4.008	.468	41	*415075	S	5.875	7.125	7.133	.625	41
*415014	S	3.000	4.249	4.254	.625	41	*415075N	N	5.875	7.125	7.133	.625	41
*415014N	N	3.000	4.249	4.254	.625	41	415076	S	11.500	13.500	13.508	.750	41
*415016	S	3.125	4.249	4.254	.625	41	*415076V	V	11.500	13.500	13.508	.750	41
415016N	N	3.125	4.249	4.254	.625	41	415077	S	11.500	13.000	13.010	.750	41
*415018	S	3.250	4.249	4.254	.625	41	*415079	S	2.500	3.751	3.756	.500	41
*415018N	N	3.250	4.249	4.254	.625	41	*415080	S	2.125	3.623	3.628	.468	41
*415019	S	3.000	4.999	5.004	.468	41	415082	S	2.500	3.876	3.881	.468	41
415021	S	3.125	4.999	5.004	.468	41	415082N	N	2.500	3.876	3.881	.468	41
415023	S	3.250	4.999	5.004	.468	41	*415084	S	7.000	8.500	8.509	.750	41
415025	S	3.375	4.999	5.004	.468	41	*415084N	N	7.000	8.500	8.509	.750	41
*415025N	N	3.375	4.999	5.004	.468	41	415085	S	3.312	4.499	4.504	.468	41
415027	S	3.500	4.999	5.004	.468	41	*415086	S	3.000	4.249	4.254	.468	41
415027H	H	3.500	4.999	5.004	.468	41	415086N	N	3.000	4.249	4.254	.468	41
415027N	N	3.500	4.999	5.004	.468	41	*415086V	V	3.000	4.249	4.254	.468	41
*415029	S	3.625	4.999	5.004	.468	41	415088	S	3.000	4.499	4.504	.468	41
*415031	S	3.750	4.999	5.004	.468	41	*415088N	N	3.000	4.499	4.504	.468	41
*415031H	H	3.750	4.999	5.004	.468	41	415090	S	9.000	11.000	11.008	.750	41
*415031N	N	3.750	4.999	5.004	.468	41	*415091	S	4.875	5.999	6.007	.625	41
*415033	S	3.875	4.999	5.004	.468	41	*415092	S	6.750	8.250	8.257	.750	41
*415033N	N	3.875	4.999	5.004	.468	41	*415093	S	2.250	3.500	3.505	.500	41
415034	S	3.937	4.999	5.004	.468	41	*415093N	N	2.250	3.500	3.505	.500	41
415035	S	4.000	4.999	5.004	.468	41	*415094	S	2.312	3.500	3.505	.500	41
*415035N	N	4.000	4.999	5.004	.468	41	*415095	S	2.375	3.500	3.505	.500	41
415035V	V	4.000	4.999	5.004	.468	41	*415095N	N	2.375	3.500	3.505	.500	41
415036	S	4.000	5.501	5.506	.562	41	*415096	S	2.437	3.500	3.505	.500	41
							*415096N	N	2.437	3.500	3.505	.500	41
							*415098	S	2.562	3.500	3.505	.500	41

For Illustration and Material Data See Technical Section

* The U.S. customer service number is 877-4-TIMKEN. The Canadian customer service numbers are 800-565-4927 (English) and 800-565-0438 (French-Canadian). ★ Metric Seal

Numerical List Size & Type

Part No.	Lip Mat'l	Shaft Size	Hsg. Bore	Seal O.D.	Seal Width	Type/Illus.	Part No.	Lip Mat'l	Shaft Size	Hsg. Bore	Seal O.D.	Seal Width	Type/Illus.
410000 SERIES (cont.)							410000 SERIES (cont.)						
415098N	N	2.562	3.500	3.505	.500	41	*415192	S	4.000	5.251	5.256	.468	41
*415101	S	2.750	4.249	4.254	.625	41	415192N	N	4.000	5.251	5.256	.468	41
*415104	S	5.250	6.499	6.507	.625	41	*415195	S	4.250	5.251	5.256	.468	41
*415104H	H	5.250	6.499	6.507	.625	41	*415195N	N	4.250	5.251	5.256	.468	41
*415104N	N	5.250	6.499	6.507	.625	41	*415196	S	4.250	5.376	5.381	.500	41
*415105	S	5.375	6.624	6.632	.625	41	*415196H	H	4.250	5.376	5.381	.500	41
*415105V	V	5.375	6.624	6.632	.625	41	*415196N	N	4.250	5.376	5.381	.500	41
*415110	S	6.375	7.875	7.881	.750	41	*415198	S	4.375	5.501	5.506	.562	41
*415111	S	6.500	8.000	8.009	.750	41	*415198H	H	4.375	5.501	5.506	.562	41
*415115	S	7.125	8.625	8.634	.750	41	*415200	S	4.500	5.501	5.506	.562	41
*415115N	N	7.125	8.625	8.634	.750	41	*415200N	N	4.500	5.501	5.506	.562	41
415116	S	7.250	8.750	8.759	.750	41	*415200V	V	4.500	5.501	5.506	.562	41
*415120	S	7.750	9.250	9.258	.750	41	*415201	S	4.000	5.999	6.007	.625	41
*415122	S	8.000	10.000	10.008	.750	41	*415205	S	4.250	5.999	6.007	.625	41
415124	S	8.250	10.250	10.260	.750	41	*415207	S	4.375	5.999	6.007	.625	41
415128	S	8.750	10.750	10.758	.750	41	*415209	S	4.500	5.999	6.007	.625	41
*415130	S	1.937	3.543	3.548	.500	41	*415209N	N	4.500	5.999	6.007	.625	41
*415134	S	4.125	4.999	5.004	.468	41	*415211	S	4.625	6.001	6.007	.625	41
*415134N	N	4.125	4.999	5.004	.468	41	*415213	S	4.750	5.999	6.007	.625	41
415137	S	3.250	4.499	4.504	.468	41	415213N	N	4.750	5.999	6.007	.625	41
415138	S	4.750	5.750	5.756	.500	41	415219	S	9.250	11.250	11.260	.750	41
*415138H	H	4.750	5.750	5.756	.500	41	*415219N	N	9.250	11.250	11.260	.750	41
*415138N	N	4.750	5.750	5.756	.500	41	415227	S	10.500	12.500	12.508	1.000	41
*415140	S	5.375	6.749	6.757	.625	41	*415227V	V	10.500	12.500	12.508	1.000	41
415142	S	4.125	5.251	5.256	.468	41	415234	S	2.250	3.623	3.628	.468	41
*415144	S	2.875	4.499	4.504	.468	41	*415244	S	2.562	3.751	3.756	.500	41
*415145	S	3.125	4.499	4.504	.468	41	*415244N	N	2.562	3.751	3.756	.500	41
*415145N	N	3.125	4.499	4.504	.468	41	*415245	S	3.125	4.751	4.756	.625	41
*415145V	V	3.125	4.499	4.504	.468	41	*415245N	N	3.125	4.751	4.756	.625	41
415146	S	3.500	4.499	4.504	.468	41	*415248	S	2.375	3.543	3.548	.500	41
*415146N	N	3.500	4.499	4.504	.468	41	415248N	N	2.375	3.543	3.548	.500	41
415147	S	2.500	3.500	3.505	.500	41	415254	S	2.250	4.003	4.008	.468	41
415147N	N	2.500	3.500	3.505	.500	41	415259	S	2.250	3.751	3.756	.500	41
*415148	S	3.875	5.251	5.256	.468	41	*415262	S	3.500	5.501	5.506	.562	41
*415149	S	2.625	3.751	3.756	.500	41	415263	S	3.937	5.376	5.381	.500	41
*415149V	V	2.625	3.751	3.756	.500	41	*415265	S	3.250	4.751	4.756	.625	41
415150	S	3.750	5.251	5.256	.468	41	*415265N	N	3.250	4.751	4.756	.625	41
*415152	S	2.875	4.125	4.130	.562	41	*415269	S	3.687	5.501	5.506	.562	41
*415154	S	3.000	4.125	4.130	.562	41	*415270	S	10.000	11.000	11.010	.750	41
*415156	S	3.125	4.125	4.130	.562	41	*415271	S	5.000	5.999	6.007	.625	41
*415156H	H	3.125	4.125	4.130	.562	41	*415271H	H	5.000	5.999	6.007	.625	41
415156N	N	3.125	4.125	4.130	.562	41	*415271N	N	5.000	5.999	6.007	.625	41
*415158	S	3.000	4.376	4.381	.625	41	*415272	S	2.750	4.003	4.008	.468	41
*415158N	N	3.000	4.376	4.381	.625	41	415272N	N	2.750	4.003	4.008	.468	41
*415160	S	3.125	4.376	4.381	.625	41	*415273	S	5.500	6.499	6.507	.625	41
*415162	S	3.250	4.376	4.381	.625	41	*415273N	N	5.500	6.499	6.507	.625	41
*415164	S	3.375	4.376	4.381	.625	41	*415281	S	3.000	3.751	3.756	.500	41
415164N	N	3.375	4.376	4.381	.625	41	415281N	N	3.000	3.751	3.756	.500	41
*415165	S	3.375	4.499	4.504	.468	41	*415281V	V	3.000	3.751	3.756	.500	41
*415165H	H	3.375	4.499	4.504	.468	41	415284	S	4.687	5.751	5.756	.500	41
415170	S	3.500	4.626	4.631	.625	41	415294	S	6.500	7.500	7.508	.562	41
*415172	S	3.625	4.626	4.631	.625	41	*415294N	N	6.500	7.500	7.508	.562	41
*415172N	N	3.625	4.626	4.631	.625	41	415295	S	4.187	4.999	5.004	.468	41
*415172V	V	3.625	4.626	4.631	.625	41	*415295H	H	4.187	4.999	5.004	.468	41
*415173	S	3.500	4.751	4.756	.625	41	*415296	S	2.625	4.003	4.008	.468	41
*415173N	N	3.500	4.751	4.756	.625	41	*415296N	N	2.625	4.003	4.008	.468	41
*415175	S	3.625	4.751	4.756	.625	41	*415299	S	8.000	9.250	9.260	.750	41
*415177	S	3.750	4.751	4.756	.625	41	*415300	S	8.000	9.500	9.510	.750	41
*415179	S	3.875	4.751	4.756	.625	41	*415300N	N	8.000	9.500	9.510	.750	41
*415181	S	3.625	4.876	4.881	.625	41	415302	S	2.562	3.500	3.505	.375	41
*415183	S	3.750	4.876	4.881	.625	41	415303	S	2.875	3.623	3.628	.375	41
*415185	S	3.875	4.876	4.881	.625	41	415304	S	3.250	4.249	4.254	.500	41
*415185H	H	3.875	4.876	4.881	.625	41	*415304N	N	3.250	4.249	4.254	.500	41
*415185N	N	3.875	4.876	4.881	.625	41	*415304V	V	3.250	4.249	4.254	.500	41
*415186★	S	100.00	123.85	124.00	15.88	41	*415308	S	1.500	3.543	3.548	.500	41
			3.937	4.876	4.882	.625	*415312	S	5.000	6.374	6.382	.625	41
415187	S	4.000	4.876	4.881	.625	41	*415315	S	2.750	3.623	3.628	.468	41
*415188	S	4.000	5.126	5.131	.625	41	*415315N	N	2.750	3.623	3.628	.468	41

NUMERICAL SECTION

For Illustration and Material Data See Technical Section

* The U.S. customer service number is 877-4-TIMKEN. The Canadian customer service numbers are 800-565-4927 (English) and 800-565-0438 (French-Canadian). ★ Metric Seal

Part No.	Lip Mat'l	Shaft Size	Hsg. Bore	Seal O.D.	Seal Width	Type/Illus.	Part No.	Lip Mat'l	Shaft Size	Hsg. Bore	Seal O.D.	Seal Width	Type/Illus.
410000 SERIES (cont.)							410000 SERIES (cont.)						
415317	S	7.375	9.000	9.010	.750	41	*415479	S	3.000	3.876	3.881	.468	41
*415319	S	3.500	5.126	5.131	.625	41	*415479N	N	3.000	3.876	3.881	.468	41
*415319N	N	3.500	5.126	5.131	.625	41	*415480	S	6.250	7.500	7.508	.562	41
415322	S	2.750	3.543	3.548	.500	41	415482	S	11.000	13.000	13.010	.750	41
*415322N	N	2.750	3.543	3.548	.500	41	415483	S	2.625	3.500	3.505	.375	41
415322V	V	2.750	3.543	3.548	.500	41	*415487	S	5.625	6.625	6.631	.625	41
415327	S	6.750	8.000	8.009	.625	41	*415487N	N	5.625	6.625	6.631	.625	41
*415327H	H	6.750	8.000	8.009	.625	41	*415489	S	8.500	10.000	10.010	.750	41
*415327N	N	6.750	8.000	8.009	.625	41	*415489V	V	8.500	10.000	10.010	.750	41
*415328	S	3.250	5.251	5.256	.468	41	*415495	S	5.125	6.499	6.507	.625	41
*415330	S	6.125	7.125	7.133	.625	41	415498	S	3.562	4.499	4.504	.468	41
*415342	S	4.500	5.876	5.881	.625	41	*415513	S	4.000	5.626	5.631	.500	41
*415345N	N	2.500	3.500	3.505	.375	41	*415517	S	7.000	8.000	8.009	.750	41
*415345V	V	2.500	3.500	3.505	.375	41	*415526N	N	3.000	3.876	3.881	.500	41
*415347	S	2.937	3.876	3.881	.468	41	*415547	S	3.875	5.126	5.131	.625	41
*415347N	N	2.937	3.876	3.881	.468	41	415551	S	7.500	9.000	9.010	.750	41
415349	S	2.125	3.543	3.548	.500	41	*415551N	N	7.500	9.000	9.010	.750	41
*415349N	N	2.125	3.543	3.548	.500	41	415551V	V	7.500	9.000	9.010	.750	41
*415349V	V	2.125	3.543	3.548	.500	41	415559	S	3.500	5.251	5.256	.468	41
415350	S	2.187	3.623	3.628	.468	41	415563	S	3.250	4.003	4.008	.468	41
415351	S	4.500	6.250	6.256	.500	41	*415563N	N	3.250	4.003	4.008	.468	41
*415352	S	9.125	10.377	10.384	.625	41	*415566	S	3.250	4.125	4.130	.562	41
*415354	S	3.125	4.003	4.008	.468	41	*415566N	N	3.250	4.125	4.130	.562	41
*415354N	N	3.125	4.003	4.008	.468	41	*415566V	V	3.250	4.125	4.130	.562	41
*415355	S	2.875	3.876	3.881	.468	41	*415573	S	4.375	6.127	6.132	.625	41
*415355N	N	2.875	3.876	3.881	.468	41	415577	S	3.250	4.723	4.729	.468	41
*415356	S	2.937	4.499	4.504	.468	41	*415577N	N	3.250	4.723	4.729	.468	41
*415356N	N	2.937	4.499	4.504	.468	41	415610	S	5.500	7.000	7.007	.625	41
*415356V	V	2.937	4.499	4.504	.468	41	*415613	S	3.375	4.249	4.254	.625	41
*415363	S	5.750	6.749	6.756	.625	41	415627	S	2.000	3.500	3.505	.500	41
*415363H	H	5.750	6.749	6.756	.625	41	*415634	S	4.625	5.751	5.756	.500	41
*415364	S	2.750	3.500	3.505	.500	41	*415636	S	2.187	3.500	3.505	.500	41
*415364H	H	2.750	3.500	3.505	.500	41	415645	S	5.250	6.500	6.507	.562	41
*415368	S	2.625	3.500	3.505	.500	41	*415648	S	13.000	15.000	15.008	.750	41
*415368N	N	2.625	3.500	3.505	.500	41	*415655	S	2.500	4.003	4.008	.468	41
*415369	S	2.500	3.623	3.628	.468	41	415656	S	8.000	9.000	9.010	.750	41
*415369H	H	2.500	3.623	3.628	.468	41	*415659	S	2.125	3.500	3.505	.500	41
*415369N	N	2.500	3.623	3.628	.468	41	415683	S	6.000	7.000	7.007	.500	41
415371	S	4.625	5.751	5.756	.562	41	415697	S	3.875	5.125	5.131	.500	41
*415371N	N	4.625	5.751	5.756	.562	41	415711	S	3.562	4.625	4.631	.500	41
*415377	S	5.000	6.499	6.507	.625	41	*415712	S	4.250	5.251	5.256	.625	41
415379	S	3.750	4.751	4.756	.500	41	415725	S	5.000	6.001	6.007	.500	41
*415379H	H	3.750	4.751	4.756	.500	41	*415725N	N	5.000	6.001	6.007	.500	41
*415379N	N	3.750	4.751	4.756	.500	41	*415733	S	2.750	3.751	3.756	.437	41
415379V	V	3.750	4.751	4.756	.500	41	415832	S	3.625	5.375	5.381	.500	41
*415380N	N	2.375	3.623	3.628	.468	41	415836	S	3.000	4.003	4.008	.437	41
415389	S	3.625	4.499	4.504	.468	41	415836V	V	3.000	4.003	4.008	.437	41
415389N	N	3.625	4.499	4.504	.468	41	415836N	N	3.000	4.003	4.008	.437	41
415394	S	3.125	5.251	5.256	.468	41	*415852	S	3.750	5.751	5.756	.562	41
*415396	S	3.500	5.751	5.756	.562	41	415854	S	6.250	7.875	7.881	.750	41
*415423	S	3.750	5.501	5.506	.562	41	415857	S	2.375	3.601	3.606	.437	41
415425	S	4.375	5.376	5.381	.500	41	*415859	S	7.117	8.126	8.134	.750	41
*415425V	V	4.375	5.376	5.381	.500	41	415867	S	7.500	8.500	8.509	.625	41
415436	S	3.625	5.751	5.756	.562	41	415871	S	9.375	11.375	11.385	.750	41
415437	S	3.500	4.751	4.756	.500	41	*415871H	H	9.375	11.375	11.385	.750	41
415442	S	3.375	4.125	4.130	.375	41	415876	S	7.000	9.313	9.321	.625	41
415447	S	5.750	6.624	6.632	.625	41	415876V	V	7.000	9.313	9.321	.625	41
415449	S	2.500	3.500	3.505	.375	41	415894	S	3.375	4.376	4.381	.500	41
415449A	A	2.500	3.500	3.505	.375	41	415897	S	5.000	6.877	6.884	.625	41
*415449N	N	2.500	3.500	3.505	.375	41	*415897N	N	5.000	6.877	6.884	.625	41
415449V	V	2.500	3.500	3.505	.375	41	*415899	S	3.500	4.375	4.381	.562	41
415458	S	2.625	3.623	3.628	.375	41	*415899N	N	3.500	4.375	4.381	.562	41
415458A	A	2.625	3.623	3.628	.375	41	*415913	S	6.500	7.382	7.392	.622	41
415458V	V	2.625	3.623	3.628	.375	41	*415913N	N	6.500	7.382	7.392	.622	41
*415460	S	5.000	7.500	7.507	.562	41	*415920	S	5.625	6.625	6.631	.500	41
*415460N	N	5.000	7.500	7.507	.562	41	*415927	S	7.125	8.007	8.017	.625	41
*415461	S	5.375	6.499	6.507	.625	41	415937	S	3.625	4.751	4.756	.500	41
*415461N	N	5.375	6.499	6.507	.625	41	415938	S	5.375	6.624	6.632	.562	41

For Illustration and Material Data See Technical Section

* The U.S. customer service number is 877-4-TIMKEN. The Canadian customer service numbers are 800-565-4927 (English) and 800-565-0438 (French-Canadian).

Numerical List Size & Type

Part No.	Lip Mat'l	Shaft Size	Hsg. Bore	Seal O.D.	Seal Width	Type/ Illus.	Part No.	Lip Mat'l	Shaft Size	Hsg. Bore	Seal O.D.	Seal Width	Type/ Illus.
410000 SERIES (cont.)							410000 SERIES (cont.)						
415953	S	4.000	4.999	5.004	.500	41	416158	S	4.625	5.999	6.007	.500	41
*415953H	H	4.000	4.999	5.004	.500	41	416163	S	4.812	5.999	6.007	.500	41
*415953N	N	4.000	4.999	5.004	.500	41	416167	S	4.875	5.999	6.007	.500	41
415953V	V	4.000	4.999	5.004	.500	41	*416167N	N	4.875	5.999	6.007	.500	41
415958	S	3.875	5.376	5.381	.500	41	*416172	S	5.125	6.125	6.131	.562	41
415960	S	2.750	3.876	3.881	.375	41	*416173	S	5.125	6.250	6.256	.562	41
415962	S	3.000	4.331	4.336	.500	41	*416173N	N	5.125	6.250	6.256	.562	41
*415963N	N	3.750	4.751	4.756	.484	41	*416176	S	5.000	7.000	7.008	.625	41
*415963V	V	3.750	4.751	4.756	.484	41	*416189	S	5.500	6.624	6.631	.625	41
*415970	S	4.625	6.125	6.131	.562	41	*416190	S	5.500	6.874	6.882	.625	41
*415970H	H	4.625	6.125	6.131	.562	41	416191	S	5.500	7.125	7.133	.625	41
*415971	S	2.375	3.500	3.505	.703	41	*416195	S	5.500	8.000	8.009	.625	41
*415971H	H	2.375	3.500	3.505	.703	41	*416196	S	5.500	8.000	8.009	.750	41
*415972	S	2.562	3.624	3.629	.703	41	*416214	S	5.750	6.874	6.882	.625	41
415983	S	3.750	4.499	4.506	.468	41	*416215	S	5.750	7.125	7.133	.625	41
415983N	N	3.750	4.499	4.506	.468	41	*416219	S	6.000	7.125	7.133	.625	41
415983V	V	3.750	4.499	4.506	.468	41	*416219H	H	6.000	7.125	7.133	.625	41
415984	S	2.750	3.623	3.628	.375	41	*416219N	N	6.000	7.125	7.133	.625	41
415988	S	2.562	3.623	3.628	.375	41	416229	S	6.500	8.000	8.009	.625	41
415991	S	3.500	4.501	4.506	.468	41	*416229N	N	6.500	8.000	8.009	.625	41
415991N	N	3.500	4.501	4.506	.468	41	*416232	S	6.000	8.500	8.509	.625	41
415991V	V	3.500	4.501	4.506	.468	41	416239	S	7.000	8.500	8.509	.625	41
415995	S	3.000	4.003	4.008	.375	41	416257	S	9.250	11.000	11.008	.750	41
415995A	A	3.000	4.003	4.008	.375	41	*416257H	H	9.250	11.000	11.008	.750	41
*415995N	N	3.000	4.003	4.008	.375	41	416267	S	2.125	3.500	3.505	.375	41
415995V	V	3.000	4.003	4.008	.375	41	416268	S	2.187	3.500	3.505	.375	41
416008	S	6.750	8.500	8.509	.625	41	*416269	S	2.187	3.543	3.548	.500	41
416011	S	3.125	4.125	4.130	.500	41	416270	S	2.250	3.543	3.548	.500	41
*416011V	V	3.125	4.125	4.130	.500	41	416271	S	2.375	3.500	3.505	.375	41
416024	S	3.125	4.751	4.756	.500	41	416271A	A	2.375	3.500	3.505	.375	41
*416026	S	3.000	4.249	4.254	.500	41	*416271N	N	2.375	3.500	3.505	.375	41
416029	S	5.750	7.874	7.881	.750	41	416273	S	2.500	3.623	3.628	.375	41
416029N	N	5.750	7.874	7.881	.750	41	416273V	V	2.500	3.623	3.628	.375	41
*416037	S	3.908	4.875	4.881	.500	41	*416275	S	2.875	3.623	3.628	.468	41
416039	S	5.750	7.500	7.508	.562	41	*416275N	N	2.875	3.623	3.628	.468	41
416041	S	3.750	4.626	4.632	.500	41	416278	S	2.625	4.249	4.254	.468	41
416043	S	3.875	5.751	5.756	.562	41	416282	S	2.750	4.249	4.254	.468	41
416044	S	7.250	8.250	8.257	.625	41	*416283	S	2.750	4.249	4.254	.500	41
416047	S	3.625	4.625	4.631	.500	41	416285	S	2.875	4.249	4.254	.500	41
*416049N	N	5.125	6.874	6.882	.625	41	*416286	S	2.875	4.249	4.254	.625	41
*416055	S	6.000	7.000	7.008	.625	41	*416287	S	3.125	4.249	4.254	.468	41
*416055N	N	6.000	7.000	7.008	.625	41	*416287H	H	3.125	4.249	4.254	.468	41
416070	S	4.500	6.125	6.131	.562	41	*416287N	N	3.125	4.249	4.254	.468	41
416071	S	2.375	3.751	3.756	.500	41	*416287V	V	3.125	4.249	4.254	.468	41
416077	S	7.125	8.625	8.632	.562	41	416288	S	3.125	4.249	4.254	.500	41
*416077N	N	7.125	8.625	8.632	.562	41	*416289	S	3.125	4.376	4.381	.562	41
*416100	S	10.625	13.000	13.008	.750	41	*416289N	N	3.125	4.376	4.381	.562	41
416102	S	7.625	8.625	8.632	.562	41	*416290	S	3.250	4.376	4.381	.562	41
416107	S	5.500	6.750	6.758	.575	41	416292	S	3.312	4.249	4.254	.500	41
416112	S	5.375	7.874	7.881	.750	41	416294	S	3.375	4.249	4.254	.500	41
*416112N	N	5.375	7.874	7.881	.750	41	*416294H	H	3.375	4.249	4.254	.500	41
*416113V	V	3.562	4.500	4.506	.500	41	*416294N	N	3.375	4.249	4.254	.500	41
*416122H	H	4.750	5.999	6.006	.562	41	416294V	V	3.375	4.249	4.254	.500	41
416125	S	3.625	4.999	5.004	.500	41	416297	S	3.125	4.626	4.631	.437	41
416127	S	3.750	5.376	5.381	.500	41	*416304	S	3.250	4.626	4.631	.625	41
*416128	S	3.875	5.501	5.506	.562	41	*416309	S	3.250	4.999	5.004	.500	41
416130	S	4.000	5.376	5.381	.500	41	416313	S	3.312	4.751	4.756	.500	41
416135	S	4.250	5.626	5.631	.500	41	416321	S	3.375	4.751	4.756	.500	41
*416136	S	4.250	5.876	5.881	.625	41	*416323	S	3.375	4.751	4.756	.625	41
*416136N	N	4.250	5.876	5.881	.625	41	416327	S	3.375	5.251	5.256	.468	41
416137	S	4.250	5.999	6.005	.500	41	*416331N	N	3.500	4.999	5.004	.500	41
416144	S	4.312	5.999	6.005	.500	41	416332	S	3.625	4.625	4.631	.437	41
416147	S	4.375	5.626	5.631	.500	41	*416333	S	3.625	4.751	4.756	.484	41
416149	S	4.375	5.999	6.005	.500	41	*416335	S	3.625	5.251	5.256	.468	41
416153	S	4.500	5.625	5.631	.500	41	*416335N	N	3.625	5.251	5.256	.468	41
*416153V	V	4.500	5.625	5.631	.500	41	*416335V	V	3.625	5.251	5.256	.468	41
416154	S	4.500	5.999	6.007	.500	41	416339	S	3.750	4.999	5.004	.500	41
416156	S	4.625	5.625	5.631	.500	41	*416339N	N	3.750	4.999	5.004	.500	41

NUMERICAL SECTION

For Illustration and Material Data See Technical Section

* The U.S. customer service number is 877-4-TIMKEN. The Canadian customer service numbers are 800-565-4927 (English) and 800-565-0438 (French-Canadian).

Part No.	Lip Mat'l	Shaft Size	Hsg. Bore	Seal O.D.	Seal Width	Type/ Illus.	Part No.	Lip Mat'l	Shaft Size	Hsg. Bore	Seal O.D.	Seal Width	Type/ Illus.
410000 SERIES (cont.)							410000 SERIES (cont.)						
*416342	S	3.875	4.626	4.631	.625	41	416888V	V	4.500	5.500	5.507	.500	41
*416342N	N	3.875	4.626	4.631	.625	41	416891	S	4.250	5.500	5.506	.500	41
416345	S	3.875	4.999	5.004	.500	41	416892	S	4.500	5.750	5.756	.500	41
*416345H	H	3.875	4.999	5.004	.500	41	416919	S	3.687	4.501	4.506	.500	41
*416350	S	3.937	4.999	5.004	.500	41	416919N	N	3.687	4.501	4.506	.500	41
416362	S	6.750	8.007	8.017	.625	41	416921	S	2.875	4.003	4.008	.375	41
*416362N	N	6.750	8.007	8.017	.625	41	416951	S	8.250	10.625	10.633	.750	41
*416362V	V	6.750	8.007	8.017	.625	41	416956	S	2.937	3.751	3.756	.375	41
416364	S	7.000	8.000	8.009	.625	41	*416961	S	2.750	4.331	4.336	.500	41
*416364N	N	7.000	8.000	8.009	.625	41	*416961N	N	2.750	4.331	4.336	.500	41
*416364V	V	7.000	8.000	8.009	.625	41	*416977	S	5.125	6.877	6.884	.625	41
*416365	S	3.437	4.501	4.506	.468	41	417016	S	7.875	10.000	10.008	.625	41
416370	S	3.000	4.751	4.756	.625	41	*417017	S	6.125	7.750	7.756	.750	41
416380	S	4.375	5.500	5.506	.500	41	*417018	S	9.375	12.750	12.758	1.250	41
416381	S	9.625	12.750	12.758	1.250	41	417020	S	10.000	12.000	12.008	.625	41
*416381V	V	9.625	12.750	12.758	1.250	41	417022	S	8.375	10.375	10.385	.625	41
416383	S	10.750	13.374	13.381	1.250	41	417040	S	5.625	7.125	7.131	.500	41
*416389	S	3.625	5.501	5.506	.562	41	*417053N	N	6.125	7.875	7.881	.750	41
416394	S	8.500	10.625	10.633	.750	41	417073	S	2.437	3.543	3.548	.375	41
*416395	S	7.250	9.125	9.133	.750	41	417079	S	2.625	3.543	3.548	.375	41
*416403	S	7.995	10.000	10.010	.750	41	417082	S	2.625	4.003	4.008	.375	41
416404	S	3.125	4.003	4.008	.375	41	*417114	S	7.875	10.000	10.008	.750	41
*416404V	V	3.125	4.003	4.008	.375	41	417115	S	7.750	10.000	10.008	.750	41
*416414	S	3.500	4.500	4.506	.500	41	*417116	S	10.500	13.375	13.383	1.250	41
416422	S	8.250	11.500	11.507	.750	41	*417123	S	4.000	6.312	6.318	.500	41
*416422N	N	8.250	11.500	11.507	.750	41	417134	S	2.875	4.125	4.130	.375	41
*416426H	H	2.875	4.331	4.336	.500	41	417158	S	2.875	3.876	3.881	.375	41
*416426N	N	2.875	4.331	4.336	.500	41	417159	S	2.937	3.876	3.881	.375	41
416444	S	2.312	3.500	3.505	.375	41	417159V	V	2.937	3.876	3.881	.375	41
416470N	N	3.250	4.249	4.254	.375	41	417171	S	3.125	4.375	4.381	.500	41
416476	S	5.875	7.125	7.133	.500	41	417172	S	3.125	4.500	4.506	.500	41
*416482	S	7.625	8.623	8.630	.715	41	417181	S	3.250	4.376	4.381	.500	41
416500	S	2.937	3.937	3.942	.500	41	417191	S	3.375	4.500	4.506	.500	41
*416500N	N	2.937	3.937	3.942	.500	41	*417191V	V	3.375	4.500	4.506	.500	41
416556	S	4.250	5.250	5.256	.500	41	417196	S	3.500	4.625	4.631	.500	41
416557	S	5.125	6.125	6.131	.500	41	*417196V	V	3.500	4.625	4.631	.500	41
*416592	S	6.500	9.252	9.260	.750	41	417198	S	3.500	4.875	4.881	.500	41
*416621	S	4.875	6.000	6.006	.562	41	417205	S	3.750	4.875	4.881	.500	41
*416621N	N	4.875	6.000	6.006	.562	41	417210	S	3.875	4.751	4.756	.375	41
416624	S	3.500	4.376	4.381	.500	41	417211	S	3.875	4.875	4.881	.500	41
416624N	N	3.500	4.376	4.381	.500	41	417223	S	4.000	6.250	6.256	.500	41
*416624V	V	3.500	4.376	4.381	.500	41	417238	S	4.312	6.250	6.256	.500	41
416654	S	2.937	4.003	4.008	.375	41	*417246	S	4.625	6.250	6.256	.500	41
416657	S	8.875	10.122	10.130	.750	41	417247	S	4.750	6.001	6.007	.500	41
416664	S	2.750	3.500	3.505	.375	41	417252	S	4.750	6.125	6.131	.500	41
416664V	V	2.750	3.500	3.505	.375	41	417254	S	5.500	6.500	6.507	.562	41
416666	S	5.750	7.001	7.008	.562	41	*417254N	N	5.500	6.500	6.507	.562	41
*416666V	V	5.750	7.001	7.008	.562	41	417255	S	7.000	8.375	8.382	.625	41
416670	S	3.687	5.250	5.256	.468	41	417258	S	5.125	6.250	6.256	.500	41
*416670N	N	3.687	5.250	5.256	.468	41	417262	S	5.250	6.250	6.256	.500	41
*416673	S	4.187	6.000	6.007	.625	41	417262V	V	5.250	6.250	6.256	.500	41
*416673N	N	4.187	6.000	6.007	.625	41	417267	S	4.875	6.125	6.131	.500	41
*416674	S	7.000	8.375	8.382	.750	41	417269	S	4.875	6.250	6.256	.500	41
*416674N	N	7.000	8.375	8.382	.750	41	417273	S	4.937	6.250	6.256	.500	41
416674V	V	7.000	8.375	8.382	.750	41	417278	S	5.000	6.375	6.381	.500	41
416706	S	2.750	4.003	4.008	.375	41	417283	S	7.500	9.243	9.250	.625	41
*416706H	H	2.750	4.003	4.008	.375	41	*417283N	N	7.500	9.243	9.250	.625	41
416738	S	2.062	3.190	3.194	.437	41	417295	S	4.437	5.500	5.506	.500	41
*416738H	H	2.062	3.190	3.194	.437	41	417298	S	6.625	8.125	8.134	.625	41
416775	S	2.937	4.250	4.254	.468	41	417316	S	2.750	3.751	3.756	.375	41
*416795N	N	2.375	4.330	4.335	.500	41	417316V	V	2.750	3.751	3.756	.375	41
*416798	S	9.250	11.500	11.508	.750	41	*417316N	N	2.750	3.751	3.756	.375	41
*416801H	H	5.000	6.003	6.009	.500	41	417343	S	2.625	3.751	3.756	.375	41
416865	S	5.000	6.250	6.256	.500	41	417344	S	2.875	3.751	3.756	.375	41
416865V	V	5.000	6.250	6.256	.500	41	417349	S	3.000	3.751	3.756	.437	41
*416865N	N	5.000	6.251	6.256	.500	41	417349V	V	3.000	3.751	3.756	.437	41
*416866	S	4.750	6.250	6.256	.500	41	417350	S	3.000	3.876	3.881	.437	41
416888	S	4.500	5.500	5.506	.500	41	417351	S	3.000	4.125	4.130	.437	41

For Illustration and Material Data See Technical Section

* The U.S. customer service number is 877-4-TIMKEN. The Canadian customer service numbers are 800-565-4927 (English) and 800-565-0438 (French-Canadian).

Numerical List Size & Type

Part No.	Lip Mat'l	Shaft Size	Hsg. Bore	Seal O.D.	Seal Width	Type/ Illus.	Part No.	Lip Mat'l	Shaft Size	Hsg. Bore	Seal O.D.	Seal Width	Type/ Illus.
410000 SERIES (cont.)							410000 SERIES (cont.)						
417352	S	3.250	4.500	4.506	.500	41	417526	S	4.437	5.999	6.007	.500	41
417353	S	3.250	4.626	4.632	.500	41	417530	S	4.500	5.376	5.381	.437	41
417354	S	3.375	4.626	4.632	.500	41	417531	S	4.500	5.876	5.881	.500	41
417355	S	3.625	4.875	4.881	.500	41	417532	S	4.500	6.374	6.382	.500	41
417356	S	4.000	5.125	5.131	.500	41	417533	S	4.562	5.751	5.756	.500	41
417357	S	4.000	5.250	5.256	.500	41	417534	S	4.562	5.999	6.007	.500	41
417358	S	5.250	6.375	6.381	.500	41	417535	S	4.687	5.999	6.007	.500	41
417359	S	5.250	6.625	6.632	.562	41	417536	S	4.687	6.250	6.256	.500	41
417360	S	5.500	6.625	6.632	.562	41	417537	S	4.687	6.374	6.382	.500	41
417361	S	5.500	6.875	6.882	.562	41	417538	S	4.750	5.876	5.881	.500	41
417362	S	5.750	6.750	6.757	.575	41	*417538V	V	4.750	5.876	5.881	.500	41
*417362N	N	5.750	6.750	6.757	.575	41	417539	S	4.937	5.999	6.007	.500	41
*417362V	V	5.750	6.750	6.757	.575	41	417540	S	4.937	6.374	6.382	.500	41
417363	S	5.750	6.875	6.882	.562	41	417541	S	5.000	6.499	6.507	.500	41
417364	S	5.750	7.125	7.132	.562	41	417542	S	5.000	6.749	6.757	.500	41
417365	S	6.000	7.125	7.132	.562	41	417543	S	5.000	6.874	6.882	.500	41
417366	S	3.875	5.250	5.256	.500	41	*417543V	V	5.000	6.874	6.882	.500	41
*417374	S	9.500	11.500	11.510	.750	41	417544	S	5.000	7.000	7.007	.500	41
417385	S	7.500	10.500	10.510	.750	41	417545	S	5.000	7.500	7.507	.500	41
*417385V	V	7.500	10.500	10.510	.750	41	417546	S	5.125	6.374	6.382	.500	41
*417401	S	3.992	5.875	5.881	.625	41	417547	S	5.125	6.499	6.507	.500	41
*417419	S	5.500	8.500	8.507	.625	41	417548	S	5.187	6.499	6.507	.500	41
417433	S	3.250	4.003	4.008	.375	41	417549	S	5.250	6.750	6.757	.500	41
*417452	S	4.250	6.750	6.757	.625	41	417550	S	5.312	6.500	6.507	.500	41
417474	S	1.937	3.543	3.548	.375	41	417551	S	5.375	6.374	6.380	.500	41
417480	S	2.375	3.876	3.881	.375	41	417554	S	5.375	6.749	6.757	.500	41
*417480N	N	2.375	3.876	3.881	.375	41	417555	S	5.625	6.624	6.631	.500	41
417481	S	2.562	3.750	3.756	.375	41	417556	S	5.625	6.874	6.882	.500	41
*417483	S	2.625	3.876	3.881	.437	41	*417556V	V	5.625	6.874	6.882	.500	41
417484	S	2.750	3.543	3.548	.375	41	417562	S	6.250	7.750	7.758	.500	41
417484N	N	2.750	3.543	3.548	.375	41	417563	S	6.375	7.875	7.883	.500	41
417485	S	2.812	3.876	3.881	.437	41	417564	S	7.000	8.750	8.759	.625	41
417486	S	2.937	4.125	4.130	.375	41	417567	S	8.625	10.625	10.635	.750	41
417487	S	3.000	4.249	4.254	.437	41	417570	S	10.250	12.250	12.260	.750	41
417488	S	3.000	4.376	4.381	.500	41	417571	S	11.000	12.500	12.510	.625	41
417490	S	3.187	4.376	4.381	.500	41	417584	S	5.000	6.126	6.131	.562	41
417491	S	3.312	4.376	4.381	.500	41	417596	S	6.750	8.250	8.257	.562	41
417492	S	3.437	4.501	4.506	.375	41	417597	S	7.000	8.250	8.257	.625	41
417492V	V	3.437	4.501	4.506	.375	41	417598	S	7.625	9.125	9.133	.625	41
417493	S	3.437	4.626	4.631	.500	41	417598V	V	7.625	9.125	9.133	.625	41
*417493V	V	3.437	4.626	4.631	.500	41	417600	S	8.000	9.250	9.258	.625	41
417494	S	3.437	4.876	4.881	.500	41	417601	S	8.000	9.500	9.508	.625	41
417495	S	3.500	5.126	5.131	.500	41	417602	S	8.000	10.000	10.008	.625	41
417496	S	3.500	5.500	5.505	.500	41	*417602N	N	8.000	10.000	10.008	.625	41
417497	S	3.562	4.751	4.756	.500	41	417603	S	8.500	10.000	10.008	.625	41
417498	S	3.562	4.876	4.881	.500	41	417604	S	8.500	10.500	10.508	.625	41
417499	S	3.625	5.251	5.256	.437	41	417605	S	10.000	11.000	11.008	.625	41
417500	S	3.625	5.501	5.506	.500	41	417606	S	9.500	11.500	11.508	.625	41
417501	S	3.687	4.750	4.756	.500	41	*417606V	V	9.500	11.500	11.508	.625	41
417502	S	3.687	5.501	5.506	.500	41	*417607	S	10.500	13.375	13.383	.750	41
417503	S	3.750	5.501	5.506	.500	41	417608	S	12.000	14.000	14.010	.750	41
417504	S	3.812	4.876	4.881	.500	41	417621	S	3.125	4.125	4.130	.375	41
417505	S	3.875	5.501	5.506	.500	41	*417641	S	10.625	12.500	12.508	.625	41
417506	S	3.937	5.501	5.506	.500	41	*417650	S	3.625	6.000	6.006	.500	41
417507	S	4.000	5.626	5.632	.375	41	*417657	S	7.875	9.250	9.258	1.000	41
417509	S	4.000	5.999	6.005	.500	41	417698	S	3.625	4.376	4.381	.375	41
417511	S	4.125	5.126	5.132	.500	41	*417730	S	2.937	4.003	4.008	.625	41
417512	S	4.125	5.501	5.506	.500	41	*417756	S	10.500	12.500	12.508	.625	41
417513	S	4.187	5.501	5.506	.500	41	417780	S	5.937	7.502	7.508	.562	41
417514	S	4.187	5.751	5.756	.500	41	417817	S	7.937	8.750	8.757	.565	41
417515	S	4.187	6.000	6.007	.500	41	*417904N	N	7.500	9.750	9.758	.625	41
417516	S	4.187	6.250	6.256	.500	41	417921	S	6.187	7.250	7.258	.734	41
*417516V	V	4.187	6.250	6.256	.500	41	417939	S	9.910	10.995	11.005	.625	41
417518	S	4.250	6.126	6.133	.500	41	417940	S	9.000	10.088	10.095	.625	41
417520	S	4.312	5.751	5.756	.500	41	*417942V	V	5.625	6.750	6.757	.500	41
417522	S	4.375	6.125	6.131	.500	41	417967★	S	100.00	123.85	123.98	12.70	41
*417522V	V	4.375	6.125	6.131	.500	41	3.937	4.876	4.881	.500			
417525	S	4.437	5.751	5.756	.500	41	417986N	N	2.750	5.500	5.506	.500	41

NUMERICAL SECTION

For Illustration and Material Data See Technical Section

* The U.S. customer service number is 877-4-TIMKEN. The Canadian customer service numbers are 800-565-4927 (English) and 800-565-0438 (French-Canadian). ★ Metric Seal

Part No.	Lip Mat'l	Shaft Size	Hsg. Bore	Seal O.D.	Seal Width	Type/ Illus.	Part No.	Lip Mat'l	Shaft Size	Hsg. Bore	Seal O.D.	Seal Width	Type/ Illus.
410000 SERIES (cont.)							450000 SERIES (cont.)						
417987N	N	3.250	5.500	5.506	.500	41	*450027	S	.750	1.375	1.379	.406	45
418027	S	2.625	4.437	4.441	.437	41	*450027H	H	.750	1.375	1.379	.406	45
418028	S	3.250	4.500	4.506	.375	41	*450027N	N	.750	1.375	1.379	.406	45
418029	S	3.437	4.249	4.254	.375	41	*450028	S	.750	1.499	1.503	.390	45
*418029V	V	3.437	4.249	4.254	.375	41	*450029	S	.781	1.499	1.503	.390	45
*418038	S	4.187	4.999	5.004	.375	41	450030	S	.812	1.499	1.503	.390	45
440000 SERIES							450000 SERIES (cont.)						
440131	S	.875	1.375	1.379	.187	44	*450030N	N	.812	1.499	1.503	.390	45
440265	S	1.687	2.623	2.627	.375	44	*450032	S	.875	1.499	1.503	.390	45
440511	S	2.625	3.371	3.376	.250	44	*450032N	N	.875	1.499	1.503	.390	45
*440905	S	2.000	2.625	2.629	.250	44	*450033	S	.750	1.828	1.832	.437	45
440972	S	2.125	3.371	3.376	.312	44	*450034	S	.781	1.828	1.832	.437	45
441130	S	1.000	1.375	1.379	.187	44	*450035	S	.812	1.828	1.832	.437	45
*441130N	N	1.000	1.375	1.379	.187	44	*450037	S	.875	1.828	1.832	.437	45
441148	S	2.000	3.264	3.269	.250	44	*450037N	N	.875	1.828	1.832	.437	45
*441267	S	.875	1.375	1.379	.250	44	450038	S	.906	1.828	1.832	.437	45
441319	S	1.218	1.979	1.983	.250	44	450039	S	.937	1.828	1.832	.437	45
441853	S	1.875	2.561	2.565	.500	44	450040	S	.968	1.828	1.832	.437	45
442109	S	2.250	3.371	3.376	.375	44	*450041	S	1.000	1.828	1.832	.437	45
*442110	S	2.500	3.251	3.256	.250	44	*450041N	N	1.000	1.828	1.832	.437	45
*442168	S	.875	1.187	1.191	.185	44	450043	S	1.062	1.828	1.832	.437	45
442251	S	1.718	2.561	2.565	.500	44	450044	S	1.093	1.828	1.832	.437	45
442251V	V	1.718	2.561	2.565	.500	44	*450045	S	1.125	1.828	1.832	.437	45
*442270	S	2.250	3.371	3.376	.500	44	*450045H	H	1.125	1.828	1.832	.437	45
442380	S	2.500	3.251	3.256	.312	44	*450045N	N	1.125	1.828	1.832	.437	45
442507	S	2.375	3.350	3.355	.250	44	*450045V	V	1.125	1.828	1.832	.437	45
442874	S	2.312	3.000	3.005	.250	44	*450046	S	1.156	1.983	1.987	.437	45
443018	S	1.500	1.983	1.988	.187	44	*450047	S	1.187	1.983	1.987	.437	45
*443389	S	1.750	2.624	2.628	.250	44	450048	S	1.218	1.983	1.987	.437	45
*443527	S	1.500	1.875	1.879	.187	44	*450049	S	1.250	1.983	1.987	.437	45
444042	S	2.500	3.500	3.505	.250	44	*450049N	N	1.250	1.983	1.987	.437	45
444116	S	1.812	2.327	2.332	.437	44	*450050	S	1.281	1.983	1.987	.437	45
*444118★	S	45.00	72.20	72.34	7.50	44	*450051	S	1.156	2.062	2.066	.437	45
444258	S	.375	.836	.841	.187	44	*450051V	V	1.156	2.062	2.066	.437	45
*446631	S	2.500	3.876	3.881	.375	44	*450052	S	1.187	2.062	2.066	.437	45
446927	S	3.500	4.125	4.130	.250	44	*450053	S	1.312	2.374	2.378	.500	45
447060	S	5.250	6.250	6.256	.250	44	450054	S	1.343	2.374	2.378	.500	45
*447060V	V	5.250	6.250	6.256	.250	44	*450055	S	1.375	2.374	2.378	.500	45
*447441	S	2.667	3.751	3.756	.500	44	*450055N	N	1.375	2.374	2.378	.500	45
*447582	S	6.000	7.127	7.133	.500	44	*450055V	V	1.375	2.374	2.378	.500	45
*447583	S	4.125	5.251	5.256	.375	44	*450057	S	1.437	2.374	2.378	.500	45
*447717	S	4.562	5.512	5.517	.250	44	*450057V	V	1.437	2.374	2.378	.500	45
*447722	S	4.562	5.312	5.317	.250	44	*450058	S	1.468	2.374	2.378	.500	45
447793	S	6.000	6.751	6.757	.375	44	*450059	S	1.500	2.374	2.378	.500	45
*447975	S	6.000	7.238	7.244	.472	44	*450059H	H	1.500	2.374	2.378	.500	45
450000 SERIES							450000 SERIES (cont.)						
450005	S	.500	1.124	1.128	.375	45	*450059N	N	1.500	2.374	2.378	.500	45
*450006	S	.531	1.124	1.128	.375	45	*450059V	V	1.500	2.374	2.378	.500	45
*450007	S	.562	1.124	1.128	.375	45	*450061	S	1.375	2.437	2.441	.468	45
*450007H	H	.562	1.124	1.128	.375	45	*450062	S	1.437	2.437	2.441	.468	45
*450008	S	.593	1.124	1.128	.375	45	*450063	S	1.500	2.437	2.441	.468	45
*450009	S	.625	1.124	1.128	.375	45	*450063H	H	1.500	2.437	2.441	.468	45
*450009V	V	.625	1.124	1.128	.375	45	*450064	S	1.562	2.437	2.441	.468	45
*450014	S	.500	1.250	1.254	.375	45	*450064N	N	1.562	2.437	2.441	.468	45
*450016	S	.562	1.250	1.254	.375	45	450065	S	1.593	2.437	2.441	.468	45
*450016H	H	.562	1.250	1.254	.375	45	450066	S	1.625	2.437	2.441	.468	45
*450017	S	.593	1.250	1.254	.375	45	*450066N	N	1.625	2.437	2.441	.468	45
*450017V	V	.593	1.250	1.254	.375	45	450067	S	1.500	2.502	2.506	.500	45
*450018	S	.625	1.250	1.254	.375	45	*450067N	N	1.500	2.502	2.506	.500	45
*450019	S	.500	1.375	1.379	.406	45	450068	S	1.718	2.623	2.627	.500	45
*450021	S	.562	1.375	1.379	.406	45	450069	S	1.625	2.623	2.627	.500	45
*450022	S	.593	1.375	1.379	.406	45	*450069N	N	1.625	2.623	2.627	.500	45
*450023	S	.625	1.375	1.379	.406	45	*450069V	V	1.625	2.623	2.627	.500	45
*450023H	H	.625	1.375	1.379	.406	45	450070	S	1.750	2.623	2.627	.500	45
*450024	S	.656	1.375	1.379	.406	45	*450070H	H	1.750	2.623	2.627	.500	45
450025	S	.687	1.375	1.379	.406	45	*450070N	N	1.750	2.623	2.627	.500	45
							*450070V	V	1.750	2.623	2.627	.500	45
							450071	S	1.875	2.623	2.627	.500	45
							*450071H	H	1.875	2.623	2.627	.500	45
							*450071N	N	1.875	2.623	2.627	.500	45

For Illustration and Material Data See Technical Section

* The U.S. customer service number is 877-4-TIMKEN. The Canadian customer service numbers are 800-565-4927 (English) and 800-565-0438 (French-Canadian). ★ Metric Seal

Numerical List Size & Type

Part No.	Lip Mat'l	Shaft Size	Hsg. Bore	Seal O.D.	Seal Width	Type/ Illus.	Part No.	Lip Mat'l	Shaft Size	Hsg. Bore	Seal O.D.	Seal Width	Type/ Illus.
450000 SERIES (cont.)							450000 SERIES (cont.)						
*450071V	V	1.875	2.623	2.627	.500	45	*450140N	N	1.250	1.752	1.756	.437	45
*450072	S	1.625	2.686	2.690	.500	45	*450141	S	.750	1.250	1.254	.375	45
450073	S	1.656	2.686	2.690	.500	45	*450141V	V	.750	1.250	1.254	.375	45
*450074	S	1.687	2.686	2.690	.500	45	450143	S	1.562	2.561	2.565	.500	45
450076	S	1.750	2.686	2.690	.500	45	*450144	S	1.437	2.502	2.506	.500	45
*450076N	N	1.750	2.686	2.690	.500	45	*450145	S	1.937	2.996	3.001	.500	45
*450076V	V	1.750	2.686	2.690	.500	45	450147	S	1.312	2.996	3.001	.500	45
*450077	S	1.500	2.758	2.762	.500	45	*450152	S	1.187	2.125	2.129	.437	45
*450077N	N	1.500	2.758	2.762	.500	45	*450153	S	1.375	2.106	2.110	.468	45
450078	S	1.625	2.875	2.879	.468	45	*450153N	N	1.375	2.106	2.110	.468	45
*450079	S	1.656	2.875	2.879	.468	45	450154	S	1.687	2.502	2.506	.500	45
*450080	S	1.687	2.875	2.879	.468	45	*450155	S	1.750	2.758	2.762	.500	45
450082	S	1.875	2.875	2.879	.468	45	*450157	S	1.000	2.000	2.004	.437	45
*450082N	N	1.875	2.875	2.879	.468	45	*450158	S	1.062	2.000	2.004	.437	45
450083	S	2.000	2.875	2.879	.468	45	450159	S	1.093	2.000	2.004	.437	45
450084	S	1.875	2.996	3.001	.500	45	*450160	S	1.125	2.000	2.004	.437	45
450085	S	2.000	2.996	3.001	.500	45	450161	S	1.156	2.000	2.004	.437	45
*450085N	N	2.000	2.996	3.001	.500	45	*450161H	H	1.156	2.000	2.004	.437	45
*450085V	V	2.000	2.996	3.001	.500	45	*450161V	V	1.156	2.000	2.004	.437	45
*450086	S	1.687	3.062	3.066	.500	45	*450162	S	1.187	2.000	2.004	.437	45
450087	S	1.750	3.061	3.066	.500	45	*450162N	N	1.187	2.000	2.004	.437	45
*450088	S	1.750	3.189	3.194	.437	45	*450163	S	1.250	2.000	2.004	.437	45
450089	S	1.781	3.189	3.194	.437	45	*450163N	N	1.250	2.000	2.004	.437	45
450090	S	1.812	3.189	3.194	.437	45	*450164	S	1.281	2.000	2.004	.437	45
*450092	S	1.875	3.189	3.194	.437	45	*450165	S	1.250	2.250	2.254	.500	45
450094	S	1.937	3.189	3.194	.437	45	*450165H	H	1.250	2.250	2.254	.500	45
450094N	N	1.937	3.189	3.194	.437	45	*450167	S	1.312	2.250	2.254	.500	45
450095	S	2.000	3.189	3.194	.437	45	*450169	S	1.375	2.250	2.254	.500	45
*450095N	N	2.000	3.189	3.194	.437	45	*450169N	N	1.375	2.250	2.254	.500	45
450096	S	2.062	3.189	3.194	.437	45	*450169V	V	1.375	2.250	2.254	.500	45
*450096H	H	2.062	3.189	3.194	.437	45	450173	S	1.218	2.000	2.004	.437	45
*450097	S	2.125	3.350	3.355	.468	45	450177	S	1.250	2.106	2.110	.468	45
*450098	S	2.187	3.350	3.355	.468	45	*450179	S	1.312	2.106	2.110	.468	45
450099	S	2.250	3.350	3.355	.468	45	*450180	S	1.343	2.106	2.110	.468	45
*450100	S	2.312	3.350	3.355	.468	45	*450182	S	1.125	1.983	1.987	.437	45
450101	S	2.375	3.350	3.355	.468	45	450183	S	1.750	2.750	2.754	.500	45
*450101H	H	2.375	3.350	3.355	.468	45	*450183N	N	1.750	2.750	2.754	.500	45
*450101N	N	2.375	3.350	3.355	.468	45	*450183V	V	1.750	2.750	2.754	.500	45
*450102	S	2.000	3.371	3.376	.468	45	*450184	S	.937	1.499	1.503	.390	45
*450102H	H	2.000	3.371	3.376	.468	45	450185	S	1.562	2.502	2.506	.500	45
450103	S	2.375	3.481	3.486	.500	45	450185V	V	1.562	2.502	2.506	.500	45
450104	S	2.437	3.481	3.486	.500	45	*450185H	H	1.562	2.502	2.506	.500	45
*450109	S	1.562	2.750	2.754	.500	45	*450185N	N	1.562	2.502	2.506	.500	45
450111	S	1.968	3.350	3.355	.468	45	*450186	S	1.687	2.750	2.754	.500	45
450115	S	2.125	2.996	3.001	.500	45	*450187	S	1.000	2.062	2.066	.437	45
*450115N	N	2.125	2.996	3.001	.500	45	450188	S	1.062	1.561	1.565	.375	45
450116	S	1.812	2.875	2.879	.468	45	*450189	S	1.125	1.752	1.756	.437	45
450117	S	1.875	2.750	2.754	.500	45	*450189H	H	1.125	1.752	1.756	.437	45
450118	S	1.812	2.750	2.754	.500	45	*450190	S	1.500	2.561	2.565	.500	45
*450119	S	.500	.999	1.003	.375	45	*450193	S	1.812	2.996	3.001	.500	45
*450120	S	1.000	1.499	1.503	.390	45	450194	S	1.625	2.502	2.506	.500	45
*450120H	H	1.000	1.499	1.503	.390	45	*450194H	H	1.625	2.502	2.506	.500	45
450121	S	2.125	3.189	3.194	.437	45	*450194N	N	1.625	2.502	2.506	.500	45
*450121N	N	2.125	3.189	3.194	.437	45	*450202	S	.562	.999	1.003	.375	45
*450121V	V	2.125	3.189	3.194	.437	45	*450202N	N	.562	.999	1.003	.375	45
*450122	S	1.437	2.623	2.627	.500	45	*450203	S	.781	1.375	1.379	.406	45
*450124	S	1.281	2.062	2.066	.437	45	*450204	S	.812	1.375	1.379	.406	45
*450127	S	1.062	1.874	1.878	.437	45	*450204N	N	.812	1.375	1.379	.406	45
*450127H	H	1.062	1.874	1.878	.437	45	*450205	S	.687	1.499	1.503	.390	45
450132	S	2.250	3.371	3.376	.468	45	*450205N	N	.687	1.499	1.503	.390	45
450133	S	2.312	3.371	3.376	.468	45	*450208	S	.968	1.499	1.503	.390	45
*450135	S	1.375	2.125	2.129	.437	45	*450210	S	1.062	1.499	1.503	.390	45
*450136	S	1.500	2.250	2.254	.500	45	*450211	S	.750	1.624	1.628	.437	45
*450136N	N	1.500	2.250	2.254	.500	45	*450213	S	.812	1.624	1.628	.437	45
*450137	S	.687	1.124	1.128	.375	45	*450215	S	.875	1.624	1.628	.437	45
*450138	S	1.937	2.686	2.690	.500	45	*450217	S	.937	1.624	1.628	.437	45
*450139	S	2.187	2.996	3.001	.500	45	*450217V	V	.937	1.624	1.628	.437	45
*450140	S	1.250	1.752	1.756	.437	45	*450218	S	.968	1.624	1.628	.437	45

NUMERICAL SECTION

For Illustration and Material Data See Technical Section

* The U.S. customer service number is 877-4-TIMKEN. The Canadian customer service numbers are 800-565-4927 (English) and 800-565-0438 (French-Canadian).

Part No.	Lip Mat'l	Shaft Size	Hsg. Bore	Seal O.D.	Seal Width	Type/Illus.	Part No.	Lip Mat'l	Shaft Size	Hsg. Bore	Seal O.D.	Seal Width	Type/Illus.
450000 SERIES (cont.)							450000 SERIES (cont.)						
*450218N	N	.968	1.624	1.628	.437	45	*450306	S	1.937	3.061	3.066	.500	45
*450219	S	1.000	1.624	1.628	.437	45	450307	S	2.062	3.061	3.066	.500	45
*450219H	H	1.000	1.624	1.628	.437	45	450308	S	2.125	3.061	3.066	.500	45
*450219N	N	1.000	1.624	1.628	.437	45	*450309	S	1.937	3.125	3.130	.500	45
*450220	S	1.031	1.624	1.628	.437	45	*450310	S	2.000	3.125	3.130	.500	45
*450221	S	1.062	1.624	1.628	.437	45	*450310N	N	2.000	3.125	3.130	.500	45
*450222	S	.750	1.752	1.756	.437	45	450311	S	2.062	3.125	3.130	.500	45
*450223	S	.781	1.752	1.756	.437	45	450312	S	2.125	3.125	3.130	.500	45
*450224	S	.812	1.752	1.756	.437	45	*450312N	N	2.125	3.125	3.130	.500	45
*450226	S	.875	1.752	1.756	.437	45	450313	S	2.062	3.251	3.256	.500	45
*450228	S	.937	1.752	1.756	.437	45	*450314	S	2.125	3.251	3.256	.500	45
*450229	S	.968	1.752	1.756	.437	45	*450315	S	2.187	3.251	3.256	.500	45
*450230	S	1.000	1.752	1.756	.437	45	450316	S	2.250	3.251	3.256	.500	45
*450230N	N	1.000	1.752	1.756	.437	45	*450316H	H	2.250	3.251	3.256	.500	45
*450232	S	1.062	1.752	1.756	.437	45	*450316N	N	2.250	3.251	3.256	.500	45
*450233	S	1.000	1.874	1.878	.437	45	450317	S	2.312	3.251	3.256	.500	45
*450236	S	1.125	1.874	1.878	.437	45	*450317N	N	2.312	3.251	3.256	.500	45
*450236H	H	1.125	1.874	1.878	.437	45	*450320	S	2.375	3.189	3.194	.437	45
*450241	S	1.125	2.062	2.066	.437	45	*450322	S	2.437	3.251	3.256	.500	45
*450244	S	1.250	2.062	2.066	.437	45	*450323	S	2.500	3.189	3.194	.437	45
*450244N	N	1.250	2.062	2.066	.437	45	*450323V	V	2.500	3.189	3.194	.437	45
*450245	S	1.250	2.125	2.129	.437	45	*450324	S	2.437	3.371	3.376	.468	45
*450245N	N	1.250	2.125	2.129	.437	45	450326	S	1.500	2.996	3.001	.500	45
*450247	S	1.312	2.125	2.129	.437	45	450329	S	2.625	3.350	3.356	.468	45
*450248	S	1.343	2.125	2.129	.437	45	*450329H	H	2.625	3.350	3.356	.468	45
*450255	S	1.468	2.437	2.441	.468	45	*450330	S	2.500	3.371	3.376	.468	45
*450258	S	1.593	2.502	2.506	.500	45	*450330H	H	2.500	3.371	3.376	.468	45
450260	S	1.656	2.502	2.506	.500	45	*450331	S	1.843	2.750	2.754	.500	45
*450261	S	2.062	2.996	3.001	.500	45	*450331N	N	1.843	2.750	2.754	.500	45
*450262	S	1.562	2.623	2.627	.500	45	450332	S	1.125	2.437	2.441	.468	45
*450265	S	1.687	2.623	2.627	.500	45	450335	S	1.625	3.062	3.066	.500	45
*450267	S	1.812	2.623	2.627	.500	45	*450336	S	1.187	2.250	2.254	.500	45
*450267N	N	1.812	2.623	2.627	.500	45	*450336H	H	1.187	2.250	2.254	.500	45
*450268	S	1.843	2.623	2.627	.500	45	450339	S	.968	2.062	2.066	.437	45
*450268N	N	1.843	2.623	2.627	.500	45	*450339N	N	.968	2.062	2.066	.437	45
450269	S	1.781	2.686	2.690	.500	45	450340	S	.750	1.561	1.565	.375	45
*450270	S	1.812	2.686	2.690	.500	45	450341	S	1.250	2.713	2.717	.468	45
*450272	S	1.875	2.686	2.690	.500	45	450342	S	1.062	1.983	1.987	.437	45
450273	S	1.562	2.758	2.762	.500	45	*450342N	N	1.062	1.983	1.987	.437	45
450274	S	1.593	2.758	2.762	.500	45	450343	S	2.062	3.371	3.376	.468	45
*450274H	H	1.593	2.758	2.762	.500	45	*450344	S	1.187	1.828	1.832	.437	45
450275	S	1.625	2.758	2.762	.500	45	*450347	S	1.187	2.437	2.441	.468	45
450279	S	1.937	2.758	2.762	.500	45	450350	S	2.375	3.371	3.376	.468	45
450280	S	1.781	2.758	2.762	.500	45	*450350H	H	2.375	3.371	3.376	.468	45
*450281	S	1.812	2.758	2.762	.500	45	*450350N	N	2.375	3.371	3.376	.468	45
*450283	S	1.875	2.758	2.762	.500	45	*450351	S	1.750	2.437	2.441	.468	45
*450283H	H	1.875	2.758	2.762	.500	45	*450351N	N	1.750	2.437	2.441	.468	45
*450284	S	1.656	2.750	2.754	.500	45	450352	S	1.750	2.502	2.506	.500	45
450285	S	1.781	2.750	2.754	.500	45	*450352H	H	1.750	2.502	2.506	.500	45
*450286	S	1.625	2.750	2.754	.500	45	*450352N	N	1.750	2.502	2.506	.500	45
*450286N	N	1.625	2.750	2.754	.500	45	*450354	S	2.187	3.189	3.194	.437	45
450291	S	1.750	2.875	2.879	.468	45	*450355	S	.687	1.250	1.254	.375	45
450291N	N	1.750	2.875	2.879	.468	45	*450358	S	1.625	2.374	2.378	.500	45
*450291V	V	1.750	2.875	2.879	.468	45	*450358N	N	1.625	2.374	2.378	.500	45
*450293	S	1.843	2.875	2.879	.468	45	*450359	S	1.750	2.996	3.001	.500	45
*450295	S	1.937	2.875	2.879	.468	45	*450360	S	2.000	2.686	2.690	.500	45
450298	S	1.875	3.000	3.005	.500	45	*450360H	H	2.000	2.686	2.690	.500	45
*450300	S	1.937	3.000	3.005	.500	45	450361	S	1.750	2.561	2.565	.500	45
450301	S	2.000	3.000	3.005	.500	45	450362	S	1.156	2.125	2.129	.437	45
*450301H	H	2.000	3.000	3.005	.500	45	*450363	S	1.687	2.502	2.506	.375	45
*450301N	N	2.000	3.000	3.005	.500	45	*450363H	H	1.687	2.502	2.506	.375	45
*450302	S	2.062	3.000	3.005	.500	45	450365	S	2.125	2.875	2.879	.468	45
*450302H	H	2.062	3.000	3.005	.500	45	450365N	N	2.125	2.875	2.879	.468	45
450303	S	2.125	3.000	3.005	.500	45	*450365V	V	2.125	2.875	2.879	.468	45
*450303N	N	2.125	3.000	3.005	.500	45	*450373	S	2.062	2.875	2.879	.468	45
*450303V	V	2.125	3.000	3.005	.500	45	*450374	S	2.437	3.350	3.355	.468	45
*450304	S	1.875	3.061	3.066	.500	45	450375	S	1.765	2.412	2.416	.468	45
*450304H	H	1.875	3.061	3.066	.500	45	*450381	S	1.125	1.624	1.628	.437	45

For Illustration and Material Data See Technical Section

* The U.S. customer service number is 877-4-TIMKEN. The Canadian customer service numbers are 800-565-4927 (English) and 800-565-0438 (French-Canadian).

Numerical List Size & Type

Part No.	Lip Mat'l	Shaft Size	Hsg. Bore	Seal O.D.	Seal Width	Type/ Illus.	Part No.	Lip Mat'l	Shaft Size	Hsg. Bore	Seal O.D.	Seal Width	Type/ Illus.
450000 SERIES (cont.)							450000 SERIES (cont.)						
450389	S	2.000	2.750	2.754	.500	45	*450532	S	2.062	3.350	3.355	.468	45
*450389H	H	2.000	2.750	2.754	.500	45	450533	S	1.687	3.189	3.194	.437	45
*450394	S	1.500	2.125	2.129	.437	45	450535	S	.625	1.246	1.250	.375	45
*450394N	N	1.500	2.125	2.129	.437	45	450536	S	.562	1.246	1.250	.375	45
*450394V	V	1.500	2.125	2.129	.437	45	*450536N	N	.562	1.246	1.250	.375	45
*450398	S	.875	1.374	1.379	.406	45	450539	S	1.625	3.000	3.005	.500	45
450400	S	1.750	2.250	2.254	.359	45	450540	S	1.500	3.189	3.194	.437	45
*450400V	V	1.750	2.250	2.254	.359	45	*450541	S	1.000	1.752	1.756	.375	45
*450403	S	1.375	2.062	2.066	.437	45	*450543	S	2.000	2.716	2.720	.468	45
*450407	S	3.146	4.003	4.008	.468	45	*450543H	H	2.000	2.716	2.720	.468	45
*450410	S	2.000	2.623	2.627	.500	45	450543V	V	2.000	2.716	2.720	.468	45
*450410N	N	2.000	2.623	2.627	.500	45	450545	S	.968	1.575	1.579	.375	45
450412	S	2.625	3.481	3.486	.500	45	*450548	S	1.500	2.250	2.254	.375	45
450415	S	1.625	2.996	3.001	.500	45	*450548N	N	1.500	2.250	2.254	.375	45
*450418	S	1.562	2.875	2.879	.468	45	*450549	S	1.000	1.983	1.987	.437	45
*450424	S	.875	1.874	1.878	.437	45	*450551	S	2.312	3.125	3.130	.500	45
*450426	S	1.125	2.000	2.004	.375	45	*450552	S	2.375	3.125	3.130	.500	45
450430	S	1.125	2.875	2.879	.468	45	*450552N	N	2.375	3.125	3.130	.500	45
450431	S	.812	1.250	1.254	.375	45	*450553	S	1.000	1.499	1.503	.312	45
*450433	S	2.250	3.125	3.130	.500	45	*450553H	H	1.000	1.499	1.503	.312	45
*450433N	N	2.250	3.125	3.130	.500	45	*450557	S	.625	1.377	1.381	.406	45
*450438	S	1.562	2.374	2.378	.500	45	*450559	S	1.250	2.374	2.378	.500	45
*450438N	N	1.562	2.374	2.378	.500	45	*450565	S	2.375	3.125	3.130	.375	45
450441	S	2.250	2.996	3.001	.500	45	*450567	S	.875	1.375	1.379	.312	45
*450441N	N	2.250	2.996	3.001	.500	45	*450567H	H	.875	1.375	1.379	.312	45
450444	S	1.375	2.502	2.506	.500	45	*450567N	N	.875	1.375	1.379	.312	45
450446	S	2.000	2.713	2.717	.468	45	*450567V	V	.875	1.375	1.379	.312	45
*450449	S	1.000	1.561	1.565	.375	45	*450571	S	2.000	3.251	3.256	.500	45
450451	S	1.500	2.062	2.066	.437	45	*450574	S	2.375	3.251	3.256	.500	45
*450451H	H	1.500	2.062	2.066	.437	45	*450574H	H	2.375	3.251	3.256	.500	45
450452	S	1.375	2.835	2.839	.468	45	*450574N	N	2.375	3.251	3.256	.500	45
*450452N	N	1.375	2.835	2.839	.468	45	*450580	S	.750	1.575	1.579	.375	45
*450453	N	1.437	2.125	2.129	.437	45	450588	S	.812	1.575	1.579	.375	45
*450453N	N	1.437	2.125	2.129	.437	45	*450591	S	.812	1.874	1.878	.437	45
*450455	S	1.937	2.623	2.627	.500	45	*450592	S	.812	1.499	1.503	.312	45
450456	S	1.375	2.716	2.720	.468	45	*450592N	N	.812	1.499	1.503	.312	45
450457	S	.984	1.828	1.832	.437	45	450593	S	1.000	1.828	1.832	.296	45
450461	S	1.500	2.750	2.754	.500	45	*450596	S	1.687	2.835	2.839	.468	45
450463	S	1.375	2.750	2.754	.500	45	*450600	S	1.156	2.250	2.254	.500	45
450467	S	1.625	3.251	3.256	.500	45	450604	S	1.125	2.250	2.254	.500	45
*450469	S	.656	1.250	1.254	.375	45	*450604N	N	1.125	2.250	2.254	.500	45
450472	S	1.968	2.686	2.690	.500	45	*450605	S	2.500	3.371	3.376	.375	45
450474	S	1.968	2.875	2.879	.468	45	*450605H	H	2.500	3.371	3.376	.375	45
*450479	S	1.687	2.437	2.441	.468	45	*450610	S	.750	1.874	1.878	.437	45
*450481	S	1.250	2.437	2.441	.468	45	*450614	S	2.250	3.251	3.256	.437	45
450482	S	1.156	1.828	1.832	.437	45	450621	S	2.156	3.189	3.194	.437	45
*450487	S	1.500	2.686	2.690	.500	45	*450621N	N	2.156	3.189	3.194	.437	45
450489	S	2.187	2.875	2.879	.468	45	450626	S	2.625	3.371	3.376	.468	45
450492	S	1.375	3.350	3.355	.468	45	*450628	S	1.062	2.062	2.066	.437	45
*450493	S	1.500	3.350	3.355	.468	45	450639	S	2.125	2.835	2.839	.468	45
450494	S	1.750	2.502	2.506	.375	45	*450645	S	.875	2.000	2.004	.437	45
450496	S	2.500	3.350	3.355	.468	45	*450649	S	.656	1.375	1.379	.312	45
*450497	S	1.968	3.371	3.376	.468	45	*450652	S	1.250	2.000	2.004	.375	45
450502	S	1.156	1.686	1.690	.375	45	*450652H	H	1.250	2.000	2.004	.375	45
*450503	S	1.312	2.437	2.441	.468	45	*450652V	V	1.250	2.000	2.004	.375	45
*450504	S	1.375	2.623	2.627	.500	45	*450654	S	1.875	2.758	2.762	.437	45
*450515	S	.812	1.561	1.565	.375	45	*450654N	N	1.875	2.758	2.762	.437	45
450516	S	1.375	3.125	3.130	.500	45	*450655	S	1.937	2.713	2.717	.468	45
450519	S	2.500	3.251	3.256	.500	45	450666	S	1.578	2.408	2.412	.500	45
*450519H	H	2.500	3.251	3.256	.500	45	*450680	S	.875	1.499	1.503	.312	45
*450519N	N	2.500	3.251	3.256	.500	45	*450680H	H	.875	1.499	1.503	.312	45
*450520	S	2.250	3.000	3.005	.500	45	*450680V	V	.875	1.499	1.503	.312	45
*450520N	N	2.250	3.000	3.005	.500	45	*450681	S	2.187	3.125	3.130	.500	45
*450521	S	1.312	1.874	1.878	.437	45	*450681N	N	2.187	3.125	3.130	.500	45
*450522	S	1.375	2.004	2.004	.437	45	450686	S	2.375	3.483	3.488	.500	45
450523	S	1.500	2.875	2.879	.468	45	*450687	S	1.687	3.125	3.130	.500	45
*450524	S	1.875	3.371	3.376	.468	45	450693★	S	24.99	52.37	52.48	11.10	45
*450525	S	2.437	3.125	3.130	.500	45			.984	2.062	2.066	.437	

NUMERICAL SECTION

For Illustration and Material Data See Technical Section

* The U.S. customer service number is 877-4-TIMKEN. The Canadian customer service numbers are 800-565-4927 (English) and 800-565-0438 (French-Canadian). ★ Metric Seal

Part No.	Lip Mat'l	Shaft Size	Hsg. Bore	Seal O.D.	Seal Width	Type/ Illus.	Part No.	Lip Mat'l	Shaft Size	Hsg. Bore	Seal O.D.	Seal Width	Type/ Illus.
450000 SERIES (cont.)							450000 SERIES (cont.)						
*450718	S	2.187	3.000	3.005	.437	45	*451091	S	2.000	3.062	3.066	.500	45
*450719	S	1.750	3.000	3.005	.500	45	*451096	S	.656	1.125	1.129	.375	45
*450719H	H	1.750	3.000	3.005	.500	45	*451096H	H	.656	1.125	1.129	.375	45
*450720	S	1.875	3.125	3.130	.500	45	*451100	S	1.125	1.624	1.628	.312	45
*450725	S	2.609	3.350	3.355	.375	45	*451100H	H	1.125	1.624	1.628	.312	45
*450725H	H	2.609	3.350	3.355	.375	45	*451100N	N	1.125	1.624	1.628	.312	45
*450725N	N	2.609	3.350	3.355	.375	45	*451105	S	1.375	2.875	2.879	.468	45
450737	S	2.250	3.189	3.194	.437	45	*451117N	N	1.937	2.824	2.828	.500	45
*450737N	N	2.250	3.189	3.194	.437	45	*451131	S	1.375	2.374	2.378	.375	45
*450746	S	1.437	2.686	2.690	.500	45	*451133	S	1.125	1.752	1.756	.375	45
*450751	S	1.562	2.686	2.690	.500	45	*451134	S	1.250	2.062	2.066	.375	45
*450755	S	1.625	2.250	2.254	.500	45	*451135	S	1.125	2.062	2.066	.375	45
*450755H	S	1.625	2.250	2.254	.500	45	*451135H	H	1.125	2.062	2.066	.375	45
450765	S	1.687	2.716	2.720	.468	45	*451138	S	2.250	3.125	3.130	.375	45
*450774	S	1.375	2.062	2.066	.375	45	*451139	S	1.875	3.000	3.005	.375	45
450776	S	1.375	2.686	2.690	.500	45	451143	S	2.625	3.251	3.256	.437	45
*450779	S	1.875	2.875	2.879	.500	45	451147H	H	1.750	2.502	2.506	.406	45
*450780	S	.656	1.575	1.579	.375	45	*451147N	N	1.750	2.502	2.506	.406	45
*450781	S	.875	1.575	1.579	.375	45	*451160N	N	2.312	3.000	3.005	.500	45
*450783	S	1.843	2.502	2.506	.500	45	*451162N	N	1.875	2.500	2.504	.437	45
*450791	S	.625	1.124	1.128	.312	45	*451169N	N	1.750	2.411	2.415	.380	45
*450791V	V	.625	1.124	1.128	.312	45	451182	S	1.170	2.031	2.035	.375	45
450803	S	1.562	2.716	2.720	.468	45	*451195	S	1.937	2.502	2.506	.375	45
*450806	S	1.250	2.835	2.839	.468	45	*451195V	V	1.937	2.502	2.506	.375	45
*450808	S	1.437	2.750	2.754	.500	45	*451224	S	1.000	1.499	1.503	.250	45
*450811★	S	24.99	41.25	41.35	11.10	45	*451226	S	1.687	3.000	3.005	.500	45
		.984	1.624	1.628	.437		*451234	S	2.250	3.061	3.066	.500	45
*450814	S	1.500	2.441	2.445	.500	45	*451235	S	1.500	3.000	3.005	.500	45
*450818	S	1.000	1.575	1.579	.375	45	*451258	S	1.125	1.828	1.832	.375	45
450819	S	1.625	2.835	2.839	.468	45	*451268H	H	1.375	2.000	2.004	.375	45
*450823	S	1.875	2.502	2.506	.500	45	*451271	S	2.500	3.251	3.256	.375	45
450867	S	2.125	2.875	2.879	.437	45	*451272	S	2.250	3.000	3.005	.375	45
*450867H	H	2.125	2.875	2.879	.437	45	*451275	S	3.250	4.249	4.254	.468	45
*450867N	N	2.125	2.875	2.879	.437	45	*451275N	N	3.250	4.249	4.254	.468	45
*450867V	V	2.125	2.875	2.879	.437	45	*451294	S	.500	1.124	1.128	.312	45
*450868	S	1.187	1.752	1.756	.375	45	*451294H	H	.500	1.124	1.128	.312	45
450869	S	2.156	3.251	3.256	.500	45	*451297	S	.687	1.124	1.128	.312	45
*450895	S	.750	1.375	1.379	.312	45	*451308	S	1.500	2.374	2.378	.375	45
*450895V	V	.750	1.375	1.379	.312	45	*451324	S	.625	1.375	1.379	.312	45
*450898N	N	2.125	2.875	2.879	.375	45	*451338	S	2.187	3.000	3.005	.500	45
*450904	S	2.562	3.481	3.486	.500	45	*451341	S	2.250	2.996	3.001	.437	45
*450908★	S	25.00	40.00	40.10	9.50	45	*451341H	H	2.250	2.996	3.001	.437	45
		.984	1.575	1.579	.374		*451350	S	1.750	3.125	3.130	.500	45
450908V	V	.984	1.575	1.579	.374	45	*451385	S	.750	1.983	1.987	.437	45
450911	S	1.968	2.742	2.746	.500	45	*451414	S	3.375	4.376	4.381	.562	45
450911N	N	1.968	2.742	2.746	.500	45	*451414H	H	3.375	4.376	4.381	.562	45
*450929	S	1.750	2.374	2.378	.500	45	*451414N	N	3.375	4.376	4.381	.562	45
*450930	S	1.437	2.000	2.004	.437	45	*451447	S	1.875	2.502	2.506	.406	45
*450948	S	1.156	1.875	1.878	.437	45	*451456	S	1.187	1.874	1.878	.437	45
*450963	S	1.562	2.437	2.441	.500	45	*451463	S	1.875	2.835	2.839	.468	45
450965	S	1.937	3.350	3.355	.468	45	451469	S	1.593	2.623	2.627	.340	45
*450966	S	2.000	2.875	2.879	.500	45	*451470	S	.796	1.250	1.254	.375	45
*450972	S	2.125	3.371	3.376	.468	45	*451475	S	2.625	3.543	3.548	.500	45
*450975	S	.625	1.499	1.503	.390	45	*451507V	V	1.500	2.252	2.256	.375	45
450984	S	1.500	2.716	2.720	.468	45	*451508	S	1.812	2.686	2.690	.437	45
*450988	S	2.375	3.061	3.066	.500	45	*451509	S	2.500	3.250	3.256	.437	45
*450988H	H	2.375	3.061	3.066	.500	45	*451509H	H	2.500	3.250	3.256	.437	45
*450988N	N	2.375	3.061	3.066	.500	45	*451531	S	.562	1.124	1.128	.312	45
*450988V	V	2.375	3.061	3.066	.500	45	*451555	S	.500	1.375	1.379	.312	45
*451016	S	1.562	2.125	2.129	.437	45	*451559	S	.687	1.375	1.379	.312	45
*451024	S	.625	1.624	1.628	.437	45	*451560	S	.781	1.375	1.379	.312	45
*451030	S	1.750	2.717	2.721	.468	45	*451560N	N	.781	1.375	1.379	.312	45
*451031	S	.781	1.378	1.382	.406	45	*451577	S	.625	1.499	1.503	.312	45
*451060	S	1.125	2.125	2.129	.437	45	*451580	S	.750	1.499	1.503	.312	45
451078	S	1.875	3.251	3.256	.500	45	*451580H	H	.750	1.499	1.503	.312	45
451082	S	.968	1.874	1.878	.437	45	*451581	S	.781	1.499	1.503	.312	45
*451084	S	1.562	2.250	2.254	.500	45	*451582	S	.937	1.499	1.504	.312	45
*451084H	H	1.562	2.250	2.254	.500	45	451583	S	.968	1.499	1.503	.312	45

For Illustration and Material Data See Technical Section

* The U.S. customer service number is 877-4-TIMKEN. The Canadian customer service numbers are 800-565-4927 (English) and 800-565-0438 (French-Canadian). ★ Metric Seal

Numerical List Size & Type

Part No.	Lip Mat'l	Shaft Size	Hsg. Bore	Seal O.D.	Seal Width	Type/ Illus.	Part No.	Lip Mat'l	Shaft Size	Hsg. Bore	Seal O.D.	Seal Width	Type/ Illus.
450000 SERIES (cont.)							450000 SERIES (cont.)						
451583V	V	.968	1.499	1.503	.312	45	*452418	S	1.750	2.437	2.441	.500	45
*451656	S	.750	1.624	1.628	.312	45	*452554	S	1.500	1.983	1.987	.437	45
*451659	S	.875	1.624	1.628	.312	45	452554N	N	1.500	1.983	1.987	.437	45
*451660	S	.937	1.624	1.628	.312	45	*452573	S	.975	1.874	1.878	.437	45
*451662	S	1.000	1.624	1.628	.312	45	*452582	S	.968	1.750	1.754	.375	45
*451662V	V	1.000	1.624	1.628	.312	45	*452584	S	1.062	1.828	1.832	.375	45
*451664	S	1.062	1.624	1.628	.312	45	*452585	S	1.187	2.062	2.066	.375	45
*451664N	N	1.062	1.624	1.628	.312	45	*452604	S	2.187	3.350	3.355	.500	45
*451700	S	.875	1.752	1.756	.312	45	*452612	S	2.125	2.875	2.879	.500	45
*451701	S	.937	1.752	1.756	.312	45	*452624	S	2.625	3.351	3.356	.500	45
*451703	S	1.000	1.752	1.756	.312	45	*452629	S	1.687	2.875	2.879	.500	45
*451705	S	1.062	1.752	1.756	.312	45	*452636	S	2.250	3.251	3.256	.375	45
*451706	S	1.125	1.752	1.756	.312	45	452742	S	1.781	2.502	2.506	.312	45
*451707	S	1.156	1.752	1.756	.312	45	*452744	S	1.000	2.875	2.879	.468	45
*451708	S	1.187	1.752	1.756	.312	45	*452774	S	1.875	2.625	2.629	.500	45
*451709	S	1.250	1.752	1.756	.312	45	*452872	S	1.812	2.561	2.565	.437	45
*451709H	H	1.250	1.752	1.756	.312	45	*452920	S	2.250	3.371	3.376	.375	45
*451718	S	1.062	1.752	1.756	.375	45	*452997	S	1.000	2.000	2.004	.312	45
*451739	S	.781	1.874	1.878	.437	45	*453022	S	1.375	2.125	2.130	.375	45
*451772	S	1.062	2.000	2.004	.375	45	453059	S	.437	1.124	1.128	.406	45
*451787	S	1.250	2.062	2.066	.250	45	453063	S	1.187	2.047	2.051	.437	45
451817	S	1.812	2.437	2.441	.468	45	453065	S	1.500	2.254	2.258	.312	45
*451839N	N	1.625	2.502	2.506	.375	45	453066	S	2.125	2.878	2.882	.375	45
451845	S	1.250	2.561	2.565	.500	45	453165	S	1.000	2.062	2.066	.375	45
*451853	S	1.875	2.561	2.565	.500	45	453182	S	3.000	3.999	4.004	.437	45
451857	S	1.500	2.623	2.627	.500	45	*453244	S	2.187	2.875	2.879	.375	45
*451858	S	1.593	2.623	2.627	.500	45	*453245	S	2.187	3.251	3.256	.375	45
*451858H	H	1.593	2.623	2.627	.500	45	*453246	S	2.375	3.251	3.256	.375	45
*451879	S	1.750	2.686	2.690	.437	45	*453247	S	2.375	3.371	3.376	.375	45
*451883	S	2.000	2.686	2.690	.437	45	*453248	S	2.625	3.371	3.376	.375	45
*451883H	H	2.000	2.686	2.690	.437	45	453279	S	1.250	3.155	3.160	.500	45
*451905	S	1.312	2.875	2.879	.437	45	*453309	S	1.350	2.502	2.506	.500	45
*451936	S	1.875	2.875	2.879	.437	45	453341	S	1.625	2.374	2.378	.437	45
*451936H	H	1.875	2.875	2.879	.437	45	*453510	S	1.562	2.996	3.000	.312	45
*451936V	V	1.875	2.875	2.879	.437	45	*453613	S	2.250	2.875	2.879	.500	45
*451937	S	1.937	2.750	2.754	.500	45	*453760	S	1.250	2.437	2.441	.250	45
*451937H	H	1.937	2.750	2.754	.500	45	454088	S	2.750	4.500	4.505	.468	45
*451943	S	2.000	2.835	2.839	.468	45	454136N	N	2.250	3.350	3.355	.312	45
*451944	S	2.000	2.875	2.879	.437	45	*454199	S	2.375	3.350	3.355	.312	45
*451944H	H	2.000	2.875	2.879	.437	45	*454242	S	1.218	2.062	2.066	.375	45
*451945	S	2.062	2.758	2.762	.437	45	*455000	S	2.437	3.543	3.548	.500	45
451948	S	2.062	2.875	2.879	.437	45	455001	S	2.500	3.543	3.548	.500	45
*451952	S	2.187	2.835	2.839	.468	45	*455002	S	2.562	3.623	3.628	.468	45
*451953	S	2.187	2.875	2.879	.437	45	455003	S	2.625	3.623	3.628	.468	45
*451993	S	1.812	3.125	3.130	.500	45	*455003N	N	2.625	3.623	3.628	.468	45
*452006	S	1.937	2.996	3.001	.437	45	455004	S	2.750	3.751	3.756	.500	45
*452008	S	2.000	2.996	3.001	.437	45	*455004H	H	2.750	3.751	3.756	.500	45
*452009	S	2.000	3.000	3.005	.375	45	*455004N	N	2.750	3.751	3.756	.500	45
*452017	S	2.187	2.996	3.001	.437	45	455005	S	2.812	3.751	3.756	.500	45
*452018	S	2.187	3.000	3.005	.375	45	*455005N	N	2.812	3.751	3.756	.500	45
*452019	S	2.187	3.062	3.066	.500	45	455006	S	2.875	3.751	3.756	.500	45
*452020	S	2.187	3.125	3.130	.375	45	455006N	N	2.875	3.751	3.756	.500	45
*452023	S	1.875	3.350	3.355	.468	45	*455007	S	2.625	3.876	3.881	.468	45
*452032	S	2.125	3.251	3.256	.437	45	455008	S	2.687	3.876	3.881	.468	45
*452035	S	2.187	3.371	3.376	.468	45	455009	S	2.750	3.876	3.881	.468	45
*452038	S	2.375	3.251	3.256	.437	45	*455009N	N	2.750	3.876	3.881	.468	45
*452041	S	1.875	2.502	2.506	.375	45	455011	S	2.875	4.003	4.008	.468	45
452086	S	1.670	2.686	2.690	.500	45	*455011N	N	2.875	4.003	4.008	.468	45
*452132	S	.968	1.750	1.754	.437	45	*455011V	V	2.875	4.003	4.008	.468	45
*452152	S	2.312	3.251	3.256	.437	45	455012	S	2.937	4.003	4.008	.468	45
*452157	S	4.250	5.251	5.256	.375	45	*455012N	N	2.937	4.003	4.008	.468	45
*452164N	N	1.750	2.502	2.506	.312	45	*455012V	V	2.937	4.003	4.008	.468	45
*452170	S	1.625	2.875	2.879	.500	45	455013	S	3.000	4.003	4.008	.468	45
452222	S	1.531	2.374	2.378	.375	45	*455013H	H	3.000	4.003	4.008	.468	45
452261H	H	2.000	2.500	2.504	.437	45	*455013N	N	3.000	4.003	4.008	.468	45
*452336	S	1.000	1.828	1.832	.375	45	*455013V	V	3.000	4.003	4.008	.468	45
*452401	S	1.625	2.437	2.441	.500	45	455014	S	3.000	4.249	4.254	.625	45
*452401V	V	1.625	2.437	2.441	.500	45	455015	S	3.062	4.249	4.254	.625	45

NUMERICAL SECTION

For Illustration and Material Data See Technical Section

* The U.S. customer service number is 877-4-TIMKEN. The Canadian customer service numbers are 800-565-4927 (English) and 800-565-0438 (French-Canadian).

Part No.	Lip Mat'l	Shaft Size	Hsg. Bore	Seal O.D.	Seal Width	Type/ Illus.	Part No.	Lip Mat'l	Shaft Size	Hsg. Bore	Seal O.D.	Seal Width	Type/ Illus.
450000 SERIES (cont.)							450000 SERIES (cont.)						
*455016	S	3.125	4.249	4.254	.625	45	*455079V	V	2.500	3.751	3.756	.500	45
*455017	S	3.187	4.249	4.254	.625	45	455080	S	2.125	3.623	3.628	.468	45
455018	S	3.250	4.249	4.254	.625	45	*455081V	V	4.187	5.125	5.131	.500	45
*455018H	H	3.250	4.249	4.254	.625	45	*455082	S	2.500	3.876	3.881	.468	45
455018N	N	3.250	4.249	4.254	.625	45	*455084	S	7.000	8.500	8.509	.750	45
455019	S	3.000	4.999	5.004	.468	45	*455085	S	3.312	4.499	4.504	.468	45
455020	S	3.062	4.999	5.004	.468	45	*455085V	V	3.312	4.499	4.504	.468	45
*455021	S	3.125	4.999	5.004	.468	45	455086	S	3.000	4.249	4.254	.468	45
455022	S	3.187	4.999	5.004	.468	45	*455086H	H	3.000	4.249	4.254	.468	45
*455023	S	3.250	4.999	5.004	.468	45	*455086N	N	3.000	4.249	4.254	.468	45
455024	S	3.312	4.999	5.004	.468	45	455088	S	3.000	4.499	4.504	.468	45
*455025	S	3.375	4.999	5.004	.468	45	*455088N	N	3.000	4.499	4.504	.468	45
455026	S	3.437	4.999	5.004	.468	45	455088V	V	3.000	4.499	4.504	.468	45
455027	S	3.500	4.999	5.004	.468	45	*455090	S	9.000	11.000	11.008	.750	45
*455027H	H	3.500	4.999	5.004	.468	45	455091	S	4.875	5.999	6.007	.625	45
455027N	N	3.500	4.999	5.004	.468	45	*455091H	H	4.875	5.999	6.007	.625	45
*455029	S	3.625	4.999	5.004	.468	45	*455093	S	2.250	3.500	3.505	.500	45
*455029H	H	3.625	4.999	5.004	.468	45	*455094	S	2.312	3.500	3.505	.500	45
455031	S	3.750	4.999	5.004	.468	45	*455094N	N	2.312	3.500	3.505	.500	45
*455031N	N	3.750	4.999	5.004	.468	45	*455095	S	2.375	3.500	3.505	.500	45
455032	S	3.812	4.999	5.004	.468	45	455096	S	2.437	3.500	3.505	.500	45
455033	S	3.875	4.999	5.004	.468	45	*455096V	V	2.437	3.500	3.505	.500	45
455034	S	3.937	4.999	5.004	.468	45	*455098	S	2.562	3.500	3.505	.500	45
*455034N	N	3.937	4.999	5.004	.468	45	*455098H	H	2.562	3.500	3.505	.500	45
*455034V	V	3.937	4.999	5.004	.468	45	*455098N	N	2.562	3.500	3.505	.500	45
455035	S	4.000	4.999	5.005	.468	45	455104	S	5.250	6.499	6.507	.625	45
455035N	N	4.000	4.999	5.005	.468	45	*455105	S	5.375	6.624	6.632	.625	45
*455036	S	4.000	5.501	5.506	.562	45	*455105N	N	5.375	6.624	6.632	.625	45
455037	S	4.062	5.501	5.506	.562	45	*455106	S	5.625	6.874	6.882	.625	45
*455039	S	4.187	5.501	5.506	.562	45	*455107	S	5.750	7.000	7.008	.625	45
*455040	S	4.250	5.501	5.506	.562	45	*455107H	H	5.750	7.000	7.008	.625	45
*455040H	H	4.250	5.501	5.506	.562	45	*455107N	N	5.750	7.000	7.008	.625	45
*455040N	N	4.250	5.501	5.506	.562	45	*455107V	V	5.750	7.000	7.008	.625	45
*455041	S	4.000	5.751	5.756	.562	45	*455109	S	6.250	7.750	7.758	.750	45
*455044	S	4.187	5.751	5.756	.562	45	*455111	S	6.500	8.000	8.009	.750	45
*455045	S	4.250	5.751	5.756	.562	45	*455111H	H	6.500	8.000	8.009	.750	45
*455046	S	4.312	5.751	5.756	.562	45	*455114	S	6.875	8.375	8.382	.750	45
*455047	S	4.375	5.751	5.756	.562	45	455117	S	7.375	8.875	8.882	.750	45
*455049	S	4.500	5.750	5.756	.562	45	*455117V	V	7.375	8.875	8.882	.750	45
*455053	S	4.750	5.751	5.757	.562	45	455121	S	7.875	9.375	9.383	.750	45
*455053H	H	4.750	5.751	5.757	.562	45	*455121N	N	7.875	9.375	9.383	.750	45
*455053N	N	4.750	5.751	5.757	.562	45	*455121V	V	7.875	9.375	9.383	.750	45
*455053V	V	4.750	5.750	5.757	.562	45	*455122	S	8.000	10.000	10.008	.750	45
*455054	S	4.000	6.250	6.256	.562	45	455123	S	8.125	10.125	10.130	.750	45
455056	S	4.125	6.250	6.256	.562	45	*455126	S	8.500	10.500	10.510	.750	45
*455057	S	4.187	6.250	6.256	.562	45	*455126H	H	8.500	10.500	10.510	.750	45
*455058	S	4.250	6.250	6.256	.562	45	*455128	S	8.750	10.750	10.758	.750	45
*455059	S	4.312	6.250	6.256	.562	45	455129	S	8.875	10.875	10.885	.750	45
*455059N	N	4.312	6.250	6.256	.562	45	*455130	S	1.937	3.543	3.548	.500	45
455060	S	4.375	6.250	6.256	.562	45	455134	S	4.125	4.999	5.005	.468	45
455062	S	4.500	6.250	6.256	.562	45	*455134H	H	4.125	4.999	5.005	.468	45
*455062N	N	4.500	6.250	6.256	.562	45	*455134N	N	4.125	4.999	5.005	.468	45
*455064	S	4.625	6.250	6.256	.562	45	*455134V	V	4.125	4.999	5.005	.468	45
*455066	S	4.750	6.250	6.256	.562	45	455136	S	2.250	3.481	3.486	.500	45
*455067	S	4.812	6.250	6.256	.562	45	455137	S	3.250	4.499	4.504	.468	45
455068	S	4.875	6.250	6.256	.562	45	*455137V	V	3.250	4.499	4.504	.468	45
*455068N	N	4.875	6.250	6.256	.562	45	*455138	S	4.750	5.750	5.756	.500	45
*455069	S	4.937	6.250	6.256	.562	45	*455138N	N	4.750	5.750	5.756	.500	45
455070	S	5.000	6.250	6.256	.562	45	*455140	S	5.375	6.749	6.757	.625	45
*455070N	N	5.000	6.250	6.256	.562	45	*455142	S	4.125	5.251	5.256	.468	45
*455070V	V	5.000	6.250	6.256	.562	45	455144	S	2.875	4.499	4.504	.468	45
*455071	S	5.125	6.374	6.382	.625	45	*455145	S	3.125	4.499	4.504	.468	45
*455071N	N	5.125	6.376	6.382	.625	45	455146	S	3.500	4.499	4.504	.468	45
*455072	S	6.000	7.500	7.508	.562	45	*455146V	V	3.500	4.499	4.504	.468	45
455073	S	5.500	6.749	6.757	.625	45	455147	S	2.500	3.500	3.505	.500	45
*455074	S	6.125	7.500	7.508	.562	45	*455147H	H	2.500	3.500	3.505	.500	45
455075	S	5.875	7.125	7.133	.625	45	*455147N	N	2.500	3.500	3.505	.500	45
455079	S	2.500	3.751	3.756	.500	45	*455148	S	3.875	5.251	5.256	.468	45

For Illustration and Material Data See Technical Section

* The U.S. customer service number is 877-4-TIMKEN. The Canadian customer service numbers are 800-565-4927 (English) and 800-565-0438 (French-Canadian).

Numerical List Size & Type

Part No.	Lip Mat'l	Shaft Size	Hsg. Bore	Seal O.D.	Seal Width	Type/ Illus.	Part No.	Lip Mat'l	Shaft Size	Hsg. Bore	Seal O.D.	Seal Width	Type/ Illus.
450000 SERIES (cont.)							450000 SERIES (cont.)						
*455149	S	2.625	3.751	3.756	.500	45	*455206	S	4.312	5.999	6.007	.625	45
*455150	S	3.750	5.251	5.256	.468	45	*455207	S	4.375	5.999	6.007	.625	45
*455150V	V	3.750	5.251	5.256	.468	45	*455209	S	4.500	6.001	6.007	.625	45
455151	S	2.687	3.751	3.756	.500	45	*455211	S	4.625	5.999	6.007	.625	45
*455152	S	2.875	4.125	4.130	.562	45	*455213	S	4.750	5.999	6.007	.625	45
*455153	S	2.937	4.125	4.130	.562	45	*455214	S	4.812	5.999	6.007	.625	45
455154	S	3.000	4.125	4.130	.562	45	*455215V	V	5.500	6.749	6.756	.500	45
*455155	S	3.062	4.125	4.130	.562	45	*455216	S	4.937	5.999	6.007	.625	45
*455156	S	3.125	4.125	4.130	.562	45	*455217	S	4.875	6.127	6.132	.625	45
*455156N	N	3.125	4.125	4.130	.562	45	*455233	S	4.750	5.876	5.881	.625	45
*455156V	V	3.125	4.125	4.130	.562	45	*455234	S	2.250	3.623	3.628	.468	45
*455158	S	3.000	4.376	4.381	.625	45	*455244	S	2.562	3.750	3.756	.500	45
*455160	S	3.125	4.376	4.381	.625	45	*455244H	H	2.562	3.751	3.756	.500	45
*455161	S	3.187	4.376	4.381	.625	45	*455244N	N	2.562	3.751	3.756	.500	45
*455162	S	3.250	4.376	4.381	.625	45	*455245	S	3.125	4.751	4.756	.625	45
*455162N	N	3.250	4.376	4.381	.625	45	*455247	S	4.937	6.374	6.382	.625	45
*455163	S	3.312	4.376	4.381	.625	45	*455248	S	2.375	3.543	3.548	.500	45
*455163H	H	3.312	4.376	4.381	.625	45	455249	S	3.375	4.688	4.693	.500	45
*455164	S	3.375	4.376	4.381	.625	45	*455250	S	2.875	3.623	3.628	.468	45
*455164N	N	3.375	4.376	4.381	.625	45	*455250N	N	2.875	3.623	3.628	.468	45
455165	S	3.375	4.499	4.504	.468	45	*455251	S	4.812	5.751	5.756	.562	45
*455165N	N	3.375	4.499	4.504	.468	45	455251H	H	4.812	5.751	5.756	.562	45
*455165V	V	3.375	4.499	4.504	.468	45	*455251N	N	4.812	5.751	5.756	.562	45
*455166	S	3.437	4.499	4.504	.468	45	455253	S	2.000	3.543	3.548	.500	45
*455168	S	3.375	4.626	4.631	.625	45	*455254	S	2.250	4.003	4.008	.468	45
*455168N	N	3.375	4.626	4.631	.625	45	*455255	S	3.500	4.875	4.881	.625	45
*455170	S	3.500	4.626	4.631	.625	45	*455258	S	4.750	6.127	6.132	.625	45
*455170N	N	3.500	4.626	4.631	.625	45	*455259	S	2.250	3.751	3.756	.500	45
*455172	S	3.625	4.626	4.631	.625	45	455260	S	2.062	3.623	3.628	.468	45
*455172N	N	3.625	4.626	4.631	.625	45	*455262	S	3.500	5.501	5.506	.562	45
*455172V	V	3.625	4.626	4.631	.625	45	*455263	S	3.937	5.376	5.381	.500	45
455173	S	3.500	4.751	4.756	.625	45	*455263H	H	3.937	5.376	5.381	.500	45
*455173N	N	3.500	4.751	4.756	.625	45	*455265	S	3.250	4.751	4.756	.625	45
*455174	S	3.562	4.751	4.756	.625	45	*455267	S	2.312	4.003	4.008	.468	45
*455175	S	3.625	4.751	4.756	.625	45	*455270	S	10.000	11.000	11.010	.750	45
*455177	S	3.750	4.751	4.756	.625	45	*455270N	N	10.000	11.000	11.010	.750	45
*455178	S	3.812	4.751	4.756	.625	45	*455270V	V	10.000	11.000	11.010	.750	45
*455179	S	3.875	4.751	4.756	.625	45	*455271	S	5.000	5.999	6.007	.625	45
*455179N	N	3.875	4.751	4.756	.625	45	*455271N	N	5.000	5.999	6.007	.625	45
*455181	S	3.625	4.876	4.881	.625	45	*455271V	V	5.000	6.001	6.007	.625	45
*455183	S	3.750	4.876	4.881	.625	45	455272	S	2.750	4.003	4.008	.468	45
*455185	S	3.875	4.876	4.881	.625	45	*455273	S	5.500	6.499	6.507	.625	45
*455185N	N	3.875	4.876	4.881	.625	45	*455273N	N	5.500	6.499	6.507	.625	45
455186★	S	<i>100.00</i>	<i>123.85</i>	<i>123.98</i>	<i>15.88</i>	45	*455273V	V	5.500	6.499	6.507	.625	45
455188	S	4.000	5.126	5.131	.625	45	455280	S	2.562	3.876	3.881	.468	45
455189	S	3.812	5.251	5.256	.468	45	*455281	S	3.000	3.751	3.756	.500	45
*455189N	N	3.812	5.251	5.256	.468	45	*455281H	H	3.000	3.751	3.756	.500	45
455191	S	3.937	5.251	5.256	.468	45	*455281N	N	3.000	3.751	3.756	.500	45
455192	S	4.000	5.251	5.256	.468	45	*455282	S	7.000	8.001	8.009	.750	45
455194	S	4.187	5.251	5.256	.468	45	*455282N	N	7.000	8.001	8.009	.750	45
455195	S	4.250	5.251	5.256	.468	45	*455285	S	5.000	6.250	6.256	.625	45
*455195H	H	4.250	5.251	5.256	.468	45	455290	S	5.062	6.374	6.382	.625	45
*455195V	V	4.250	5.251	5.256	.468	45	*455292	S	1.375	3.500	3.505	.500	45
*455196	S	4.250	5.376	5.381	.500	45	455294	S	6.500	7.500	7.508	.562	45
*455196N	N	4.250	5.376	5.381	.500	45	*455294N	N	6.500	7.500	7.508	.562	45
455197	S	4.312	5.501	5.506	.562	45	*455294V	V	6.500	7.500	7.508	.562	45
455197N	N	4.312	5.501	5.506	.562	45	*455295	S	4.187	4.999	5.004	.468	45
455198	S	4.375	5.501	5.506	.562	45	*455296	S	2.625	4.003	4.008	.468	45
*455198N	N	4.375	5.501	5.506	.562	45	455297	S	5.875	7.500	7.508	.562	45
455200	S	4.500	5.500	5.506	.562	45	*455299	S	8.000	9.250	9.260	.750	45
455200N	N	4.500	5.500	5.506	.562	45	*455300	S	8.000	9.500	9.510	.750	45
*455200V	V	4.500	5.500	5.506	.562	45	455301	S	9.000	10.000	10.010	.750	45
*455201	S	4.000	5.999	6.007	.625	45	*455303	S	2.875	3.623	3.628	.375	45
455203	S	4.125	6.000	6.007	.625	45	*455304	S	3.250	4.249	4.254	.500	45
*455204	S	4.187	5.999	6.007	.625	45	*455304N	N	3.250	4.249	4.254	.500	45
*455205	S	4.250	5.999	6.007	.625	45	*455304V	V	3.250	4.249	4.254	.500	45
*455205N	N	4.250	5.999	6.007	.625	45	455308	S	1.500	3.544	3.548	.500	45
							455310	S	2.875	4.335	4.340	.437	45

NUMERICAL SECTION

For Illustration and Material Data See Technical Section

* The U.S. customer service number is 877-4-TIMKEN. The Canadian customer service numbers are 800-565-4927 (English) and 800-565-0438 (French-Canadian). ★ Metric Seal

Part No.	Lip Mat'l	Shaft Size	Hsg. Bore	Seal O.D.	Seal Width	Type/ Illus.	Part No.	Lip Mat'l	Shaft Size	Hsg. Bore	Seal O.D.	Seal Width	Type/ Illus.
450000 SERIES (cont.)							450000 SERIES (cont.)						
*455310V	V	2.875	4.335	4.340	.437	45	455448	S	5.250	6.250	6.256	.562	45
455311	S	2.562	3.543	3.548	.500	45	*455448N	N	5.250	6.250	6.256	.562	45
*455312	S	5.000	6.374	6.382	.625	45	*455448V	V	5.250	6.250	6.256	.562	45
*455312V	V	5.000	6.374	6.382	.625	45	*455449	S	2.500	3.500	3.505	.375	45
*455315	S	2.750	3.623	3.628	.468	45	*455452	S	7.000	8.250	8.258	.750	45
*455315N	N	2.750	3.623	3.628	.468	45	*455458	S	2.625	3.623	3.628	.375	45
*455315V	V	2.750	3.623	3.628	.468	45	*455460	S	5.000	7.500	7.507	.562	45
*455318	S	5.000	6.749	6.757	.625	45	*455461	S	5.375	6.499	6.507	.625	45
*455319	S	3.500	5.126	5.131	.625	45	*455461N	N	5.375	6.500	6.507	.625	45
455321	S	2.312	3.751	3.756	.500	45	455462	S	9.000	10.500	10.510	.750	45
455322	S	2.750	3.543	3.548	.500	45	*455464	S	5.312	6.499	6.507	.625	45
455322N	N	2.750	3.543	3.548	.500	45	455471	S	3.437	5.250	5.256	.468	45
455322V	V	2.750	3.543	3.548	.500	45	*455472	S	3.437	5.501	5.506	.625	45
*455325	S	4.500	6.374	6.382	.625	45	*455473	S	4.250	6.127	6.132	.625	45
*455327	S	6.750	8.000	8.007	.625	45	455475	S	8.250	9.250	9.258	.625	45
*455327V	V	6.750	8.000	8.007	.625	45	455476	S	9.000	10.250	10.260	.750	45
455328	S	3.250	5.251	5.256	.468	45	455479	S	3.000	3.876	3.881	.468	45
455330	S	6.125	7.125	7.133	.625	45	455479V	V	3.000	3.876	3.881	.468	45
*455330H	H	6.125	7.125	7.133	.625	45	455480	S	6.250	7.500	7.508	.562	45
455336	S	3.187	4.499	4.504	.468	45	*455480H	H	6.250	7.500	7.508	.562	45
*455341	S	3.437	4.876	4.881	.625	45	455480V	V	6.250	7.500	7.508	.562	45
*455342	S	4.500	5.876	5.881	.625	45	*455483	S	2.625	3.500	3.505	.375	45
*455347	S	2.937	3.876	3.881	.468	45	*455486	S	3.625	4.751	4.756	.562	45
*455350	S	2.187	3.623	3.628	.468	45	*455487	S	5.625	6.624	6.631	.625	45
*455351	S	4.500	6.250	6.256	.500	45	*455487H	H	5.625	6.624	6.631	.625	45
*455354	S	3.125	4.003	4.008	.468	45	*455487N	N	5.625	6.624	6.631	.625	45
*455354N	N	3.125	4.003	4.008	.468	45	*455489	S	8.500	10.000	10.010	.750	45
455355	S	2.875	3.876	3.881	.468	45	*455489H	H	8.500	10.000	10.010	.750	45
455356	S	2.937	4.499	4.504	.468	45	*455494N	N	5.187	6.499	6.507	.625	45
*455363	S	5.750	6.749	6.757	.625	45	*455495	S	5.125	6.499	6.507	.625	45
455364	S	2.750	3.500	3.505	.500	45	*455498	S	3.562	4.499	4.504	.468	45
*455364N	N	2.750	3.500	3.505	.500	45	*455498N	N	3.562	4.499	4.504	.468	45
455368	S	2.625	3.500	3.505	.500	45	455499	S	3.437	4.249	4.254	.625	45
*455368N	N	2.625	3.500	3.505	.500	45	455500	S	3.298	4.125	4.130	.562	45
455369	S	2.500	3.623	3.628	.468	45	455509	S	3.000	3.936	3.941	.500	45
*455371	S	4.625	5.751	5.756	.562	45	*455511	S	2.843	3.939	3.944	.500	45
*455371N	N	4.625	5.751	5.756	.562	45	*455512	S	4.000	5.374	5.379	.500	45
*455375	S	4.750	6.625	6.632	.625	45	455513	S	4.000	5.626	5.631	.500	45
*455377	S	5.000	6.499	6.507	.625	45	*455513N	N	4.000	5.626	5.631	.500	45
*455378	S	4.687	5.751	5.756	.562	45	*455517	S	7.000	8.000	8.007	.750	45
455378H	H	4.687	5.751	5.756	.562	45	*455517N	N	7.000	8.000	8.007	.750	45
*455378N	N	4.687	5.751	5.756	.562	45	*455526N	N	3.000	3.876	3.881	.500	45
455379	S	3.750	4.751	4.756	.500	45	455536	S	1.750	3.543	3.548	.500	45
*455379H	H	3.750	4.751	4.756	.500	45	455547	S	3.875	5.126	5.131	.625	45
*455379N	N	3.750	4.751	4.756	.500	45	*455547N	N	3.875	5.126	5.131	.625	45
455379V	V	3.750	4.751	4.756	.500	45	*455551	S	7.500	9.000	9.010	.750	45
*455380	S	2.375	3.623	3.628	.468	45	*455551N	N	7.500	9.000	9.010	.750	45
*455380N	N	2.375	3.623	3.628	.468	45	455556	S	2.875	4.376	4.381	.625	45
*455380V	V	2.375	3.623	3.628	.468	45	*455559	S	3.500	5.251	5.256	.468	45
*455383	S	2.937	3.751	3.756	.500	45	455566	S	3.250	4.125	4.130	.562	45
*455384	S	2.812	4.003	4.008	.468	45	*455566N	N	3.250	4.125	4.130	.562	45
*455389	S	3.625	4.499	4.504	.468	45	*455566V	V	3.250	4.125	4.130	.562	45
*455389H	H	3.625	4.499	4.504	.468	45	*455575	S	3.937	5.501	5.506	.562	45
*455389V	V	3.625	4.499	4.504	.468	45	455576	S	5.375	6.499	6.507	.562	45
*455393	S	4.125	5.126	5.131	.625	45	*455577	S	3.250	4.723	4.729	.468	45
*455394	S	3.125	5.251	5.256	.468	45	455583	S	6.187	7.500	7.508	.562	45
*455395	S	5.250	6.750	6.757	.625	45	*455583H	H	6.187	7.500	7.507	.562	45
455396	S	3.500	5.751	5.756	.562	45	455583N	N	6.187	7.500	7.507	.562	45
*455397	S	7.875	9.000	9.010	.750	45	455584	S	6.875	8.375	8.382	.625	45
*455402	S	3.562	5.751	5.756	.562	45	*455584N	N	6.875	8.375	8.382	.625	45
455406	S	7.750	9.250	9.260	.625	45	*455591	S	4.937	6.131	6.136	.562	45
*455421	S	7.000	8.750	8.759	.750	45	*455592	S	6.937	8.129	8.138	.750	45
*455423	S	3.750	5.501	5.506	.562	45	*455596	S	9.437	10.630	10.640	.750	45
455434	S	2.687	3.500	3.505	.500	45	*455596H	H	9.437	10.630	10.640	.750	45
*455436	S	3.625	5.751	5.756	.562	45	*455601	S	4.500	6.127	6.132	.562	45
*455437	S	3.500	4.751	4.756	.500	45	*455608	S	3.977	5.376	5.381	.500	45
455437N	N	3.500	4.751	4.756	.500	45	*455612	S	3.312	5.501	5.506	.562	45
*455447	S	5.750	6.624	6.632	.625	45	*455612N	N	3.312	5.501	5.506	.562	45

For Illustration and Material Data See Technical Section

* The U.S. customer service number is 877-4-TIMKEN. The Canadian customer service numbers are 800-565-4927 (English) and 800-565-0438 (French-Canadian).

Numerical List Size & Type

Part No.	Lip Mat'l	Shaft Size	Hsg. Bore	Seal O.D.	Seal Width	Type/ Illus.	Part No.	Lip Mat'l	Shaft Size	Hsg. Bore	Seal O.D.	Seal Width	Type/ Illus.
450000 SERIES (cont.)							450000 SERIES (cont.)						
*455613	S	3.375	4.249	4.254	.625	45	*455991	S	3.500	4.501	4.506	.468	45
*455614	S	4.812	6.499	6.507	.625	45	455995N	N	3.000	4.003	4.008	.375	45
*455615	S	3.250	4.501	4.506	.468	45	*456003	S	3.625	4.624	4.629	.500	45
*455618	S	5.750	7.875	7.883	.750	45	*456011	S	3.125	4.125	4.130	.500	45
*455625	S	4.187	6.373	6.381	.625	45	*456011V	V	3.125	4.125	4.130	.500	45
*455636	S	2.187	3.500	3.505	.500	45	*456026	S	3.000	4.249	4.254	.500	45
*455645	S	5.250	6.500	6.507	.562	45	*456026V	V	3.000	4.249	4.254	.500	45
*455647	S	2.312	3.543	3.548	.500	45	*456030N	N	4.500	5.501	5.506	.500	45
*455650	S	2.375	4.376	4.381	.625	45	*456039	S	5.750	7.500	7.508	.562	45
*455652	S	5.625	7.125	7.133	.625	45	*456039N	N	5.750	7.500	7.508	.562	45
455655	S	2.500	4.003	4.008	.468	45	*456041	S	3.750	4.626	4.632	.500	45
*455659	S	2.125	3.500	3.505	.500	45	*456043	S	3.875	5.751	5.756	.562	45
*455661	S	5.500	7.876	7.883	.750	45	*456044	S	7.250	8.250	8.257	.625	45
455685	S	4.625	5.875	5.881	.625	45	*456047	S	3.625	4.625	4.631	.500	45
*455685N	N	4.625	5.875	5.881	.625	45	456052	S	5.875	7.999	8.007	.750	45
*455697	S	3.875	5.125	5.131	.500	45	*456053N	N	1.869	3.744	3.749	.500	45
*455699	S	7.000	8.000	8.007	.562	45	456055	V	6.000	7.001	7.008	.625	45
*455712	S	4.250	5.251	5.256	.625	45	*456055N	N	6.000	7.001	7.008	.625	45
*455712N	N	4.250	5.251	5.256	.625	45	*456055V	V	6.000	7.001	7.008	.625	45
*455719	S	2.750	3.876	3.882	.500	45	456057	S	1.937	3.751	3.756	.500	45
*455725	S	5.000	6.001	6.007	.500	45	*456068	S	3.500	4.376	4.381	.625	45
*455725N	N	5.000	6.001	6.007	.500	45	456105	S	3.187	4.249	4.254	.468	45
*455728	S	2.375	3.750	3.756	.500	45	*456107	S	5.500	6.750	6.758	.575	45
*455734	S	3.164	4.249	4.254	.625	45	*456111	S	2.843	4.501	4.506	.375	45
*455799N	N	5.250	6.250	6.256	.625	45	*456112	S	5.375	7.874	7.881	.750	45
455820	S	3.000	4.875	4.881	.625	45	*456112N	N	5.375	7.873	7.881	.750	45
*455824	S	5.125	6.251	6.256	.562	45	*456113	S	3.562	4.500	4.506	.500	45
455828V	V	8.500	9.500	9.509	.625	45	*456113N	N	3.562	4.500	4.506	.500	45
*455832	S	3.625	5.375	5.381	.500	45	*456125	S	3.625	4.999	5.004	.500	45
*455836	S	3.000	4.003	4.008	.437	45	*456127	S	3.750	5.376	5.381	.500	45
*455852	S	3.750	5.751	5.756	.562	45	*456128	S	3.875	5.501	5.506	.562	45
*455854	S	6.250	7.875	7.881	.750	45	*456130	S	4.000	5.376	5.381	.500	45
455858	S	3.437	4.756	4.761	.562	45	*456135	S	4.250	5.626	5.631	.500	45
455860	S	2.375	3.876	3.881	.468	45	*456136N	N	4.250	5.876	5.881	.625	45
*455861	S	4.375	6.064	6.071	.625	45	*456136V	V	4.250	5.876	5.881	.625	45
455867V	V	7.500	8.500	8.509	.625	45	456141	S	4.312	5.376	5.381	.500	45
*455871	S	9.375	11.375	11.385	.750	45	*456150	S	4.375	6.125	6.131	.562	45
*455871N	N	9.375	11.375	11.385	.750	45	456153	S	4.500	5.625	5.631	.500	45
*455871V	V	9.375	11.375	11.385	.750	45	*456160	S	4.750	6.125	6.131	.562	45
*455872	S	2.750	3.538	3.543	.500	45	*456167	S	4.875	5.999	6.007	.500	45
*455872V	V	2.750	3.538	3.543	.500	45	*456168	S	4.875	6.125	6.131	.562	45
*455894	S	3.375	4.376	4.381	.500	45	*456174	S	5.375	6.374	6.382	.625	45
*455894N	N	3.375	4.376	4.381	.500	45	*456187V	V	5.375	7.500	7.508	.562	45
*455899	S	3.500	4.375	4.381	.562	45	*456189	S	5.500	6.624	6.631	.625	45
*455911	S	2.625	3.623	3.629	.500	45	*456190	S	5.500	6.874	6.882	.625	45
*455923N	N	3.550	4.376	4.381	.375	45	*456190N	N	5.500	6.875	6.882	.625	45
*455930	S	8.875	10.125	10.130	.750	45	456192	S	5.500	7.500	7.507	.562	45
*455937	S	3.625	4.751	4.756	.500	45	*456192N	N	5.500	7.500	7.507	.562	45
*455938	S	5.375	6.624	6.632	.562	45	*456199	S	5.625	7.500	7.508	.562	45
*455942	S	5.356	6.500	6.507	.562	45	*456214	S	5.750	6.874	6.882	.625	45
*455942H	H	5.356	6.500	6.507	.562	45	*456215	S	5.750	7.125	7.133	.625	45
*455943	S	4.500	5.512	5.518	.562	45	*456219N	N	6.000	7.125	7.133	.625	45
*455944	S	8.125	9.375	9.379	.750	45	*456248	S	7.375	9.375	9.382	.750	45
*455945	S	7.872	9.500	9.507	.750	45	*456267	S	2.125	3.501	3.505	.375	45
*455947	S	3.625	4.874	4.879	.625	45	*456269	S	2.187	3.543	3.548	.500	45
455948	S	6.875	7.875	7.883	.625	45	*456271	S	2.375	3.500	3.505	.375	45
*455953	S	4.000	4.999	5.004	.500	45	*456271V	V	2.375	3.500	3.505	.375	45
*455953H	H	4.000	4.999	5.004	.500	45	*456273	S	2.500	3.623	3.628	.375	45
*455953N	N	4.000	4.999	5.004	.500	45	*456281N	N	2.750	4.125	4.130	.562	45
455956H	H	5.187	6.500	6.507	.625	45	*456282	S	2.750	4.249	4.254	.468	45
*455956N	N	5.187	6.500	6.507	.625	45	*456286	S	2.875	4.249	4.254	.625	45
*455956V	V	5.187	6.500	6.507	.625	45	*456287	S	3.125	4.249	4.254	.468	45
455958	S	3.875	5.376	5.381	.500	45	*456288	S	3.125	4.249	4.254	.500	45
*455960	S	2.750	3.876	3.881	.375	45	*456289	S	3.125	4.376	4.381	.562	45
*455963H	H	3.750	4.751	4.756	.484	45	*456289N	N	3.125	4.375	4.381	.562	45
*455963N	N	3.750	4.751	4.756	.484	45	*456290	S	3.250	4.376	4.381	.562	45
455966	S	8.750	10.500	10.510	.750	45	*456290V	V	3.250	4.376	4.381	.562	45
*455984	S	2.750	3.623	3.628	.375	45	*456292	S	3.312	4.249	4.253	.500	45

NUMERICAL SECTION

For Illustration and Material Data See Technical Section

* The U.S. customer service number is 877-4-TIMKEN. The Canadian customer service numbers are 800-565-4927 (English) and 800-565-0438 (French-Canadian).

Part No.	Lip Mat'l	Shaft Size	Hsg. Bore	Seal O.D.	Seal Width	Type/ Illus.	Part No.	Lip Mat'l	Shaft Size	Hsg. Bore	Seal O.D.	Seal Width	Type/ Illus.
450000 SERIES (cont.)							450000 SERIES (cont.)						
*456294	S	3.375	4.249	4.254	.500	45	*456888V	V	4.500	5.500	5.506	.500	45
*456294H	H	3.375	4.249	4.254	.500	45	*456889	S	4.187	5.500	5.506	.500	45
*456294N	N	3.375	4.249	4.254	.500	45	456890	S	4.812	6.250	6.256	.500	45
*456301	S	3.125	4.999	5.004	.500	45	*456891	S	4.250	5.500	5.506	.500	45
456305	S	3.250	4.751	4.756	.484	45	*456892	S	4.500	5.750	5.756	.500	45
*456306	S	3.250	4.751	4.756	.500	45	*456909	S	3.125	3.937	3.942	.500	45
*456323	S	3.375	4.751	4.756	.625	45	456919V	V	3.687	4.501	4.506	.500	45
*456325	S	3.375	4.999	5.004	.500	45	*456921	S	2.875	4.003	4.008	.375	45
*456327	S	3.375	5.251	5.256	.468	45	*456946N	N	4.000	5.250	5.256	.375	45
*456331	S	3.500	4.999	5.004	.500	45	*456967N	N	4.000	5.000	5.005	.312	45
*456331H	H	3.500	4.999	5.004	.500	45	456967V	V	4.000	5.000	5.005	.312	45
*456335	S	3.625	5.251	5.256	.468	45	*456981	S	3.875	4.751	4.756	.500	45
*456339	S	3.750	4.999	5.004	.500	45	*456986H	H	5.312	6.500	6.507	.625	45
*456343	S	3.875	4.751	4.756	.484	45	457034	V	3.125	4.003	4.008	.500	45
*456345	S	3.875	4.999	5.004	.500	45	457096V	V	10.000	11.500	11.508	.750	45
*456345N	N	3.875	4.999	5.004	.500	45	*457097	S	2.000	3.623	3.628	.500	45
*456350	S	3.937	4.999	5.004	.500	45	*457131N	N	6.500	8.750	8.757	.750	45
*456364	S	7.000	8.000	8.009	.625	45	*457134	S	2.875	4.125	4.130	.375	45
*456364N	N	7.000	8.000	8.009	.625	45	*457149N	N	7.750	10.500	10.510	.750	45
*456364V	V	7.000	8.000	8.009	.625	45	*457149V	V	7.750	10.500	10.510	.750	45
*456370	S	3.000	4.751	4.756	.625	45	*457158	S	2.875	3.876	3.881	.375	45
*456380	S	4.375	5.500	5.506	.500	45	*457163	S	3.000	4.501	4.506	.468	45
*456389	S	3.625	5.501	5.506	.562	45	*457165	S	3.000	4.750	4.756	.500	45
*456414	S	3.500	4.500	4.506	.500	45	*457171	S	3.125	4.375	4.381	.500	45
*456414H	H	3.500	4.501	4.506	.500	45	*457172	S	3.125	4.500	4.506	.500	45
456462	S	9.000	10.375	10.384	.625	45	*457173	S	3.125	4.625	4.631	.500	45
456464	S	9.910	10.997	11.005	.625	45	*457181	S	3.250	4.376	4.381	.500	45
*456472	S	2.375	3.623	3.628	.500	45	*457191	S	3.375	4.500	4.506	.500	45
456472N	N	2.375	3.623	3.628	.500	45	*457196	S	3.500	4.625	4.631	.500	45
*456483	S	10.000	11.250	11.260	.750	45	*457205	S	3.750	4.875	4.881	.500	45
*456494	S	4.500	5.375	5.381	.531	45	*457211	S	3.875	4.875	4.881	.500	45
*456500	S	2.937	3.937	3.942	.500	45	*457247	S	4.750	6.001	6.007	.500	45
*456554	S	8.500	10.000	10.010	.687	45	*457247N	N	4.750	6.001	6.007	.500	45
*456556	S	4.250	5.250	5.256	.500	45	*457254	S	5.500	6.500	6.507	.562	45
456557	V	5.125	6.125	6.131	.500	45	*457262	S	5.250	6.250	6.256	.500	45
*456557V	V	5.125	6.125	6.131	.500	45	*457262N	N	5.250	6.250	6.256	.500	45
456585	S	3.375	4.501	4.506	.468	45	*457278	S	5.000	6.375	6.381	.500	45
456618	S	3.880	5.690	5.695	.500	45	457291	S	2.750	3.538	3.543	.437	45
*456619	S	2.562	3.623	3.628	.500	45	457294	S	4.000	4.750	4.756	.562	45
*456621V	V	4.875	6.000	6.006	.562	45	457295	S	4.437	5.500	5.506	.562	25
*456622	S	2.250	3.350	3.355	.500	45	457299	S	7.750	9.000	9.010	.625	45
*456624	S	3.500	4.376	4.381	.500	45	*457316	S	2.750	3.751	3.756	.375	45
*456626	S	3.875	4.876	4.881	.500	45	*457343	S	2.625	3.751	3.756	.375	45
456641	H	4.625	5.500	5.506	.562	45	*457344	S	2.875	3.751	3.756	.375	45
456648	S	3.312	4.501	4.506	.468	45	*457349	S	3.000	3.751	3.756	.437	45
*456664	S	2.750	3.500	3.505	.375	45	*457350	S	3.000	3.876	3.881	.437	45
*456666	S	5.750	7.001	7.008	.562	45	*457351	S	3.000	4.125	4.130	.437	45
*456676	S	3.875	6.064	6.070	.625	45	*457352	S	3.250	4.500	4.506	.500	45
*456724	S	7.000	8.377	8.384	.750	45	*457353	S	3.250	4.626	4.632	.500	45
*456733	S	3.062	4.331	4.336	.500	45	*457354	S	3.375	4.626	4.632	.500	45
*456744	S	3.625	4.375	4.381	.375	45	*457355	S	3.625	4.875	4.881	.500	45
456744N	N	3.625	4.375	4.381	.375	45	*457356	S	4.000	5.125	5.131	.500	45
*456792	S	2.250	3.623	3.628	.500	45	*457357	S	4.000	5.250	5.256	.500	45
456799	S	3.164	4.999	5.004	.468	45	*457358	S	5.250	6.375	6.381	.500	45
*456799H	H	3.164	4.999	5.004	.468	45	*457359	S	5.250	6.625	6.632	.562	45
*456800	S	4.500	6.001	6.007	.500	45	*457360	S	5.500	6.625	6.632	.562	45
*456830	S	5.125	6.375	6.381	.625	45	*457361	S	5.500	6.875	6.882	.562	45
456837V	V	2.843	4.003	4.008	.500	45	*457362	S	5.750	6.750	6.757	.562	45
*456861	S	2.125	3.350	3.355	.500	45	*457363	S	5.750	6.875	6.882	.562	45
*456865	S	5.000	6.250	6.256	.500	45	*457364	S	5.750	7.125	7.132	.562	45
456865N	N	5.000	6.250	6.256	.500	45	*457365	S	6.000	7.125	7.132	.562	45
*456865V	V	5.000	6.250	6.256	.500	45	*457366	S	3.875	5.250	5.256	.500	45
*456873	S	4.000	5.689	5.695	.500	45	*457382N	N	4.000	4.998	5.004	.375	45
*456876	S	2.750	3.623	3.628	.500	45	*457466	S	7.000	8.251	8.258	.625	45
*456886	S	2.875	4.003	4.008	.500	45	*457557	S	5.750	7.500	7.506	.500	45
*456887	S	4.000	5.500	5.506	.500	45	457585	S	4.562	6.250	6.256	.500	45
*456888	S	4.500	5.500	5.506	.500	45	*457599	S	3.500	4.376	4.381	.375	45
*456888N	N	4.500	5.500	5.506	.500	45	*457649V	V	4.000	5.125	5.130	.312	45

For Illustration and Material Data See Technical Section

* The U.S. customer service number is 877-4-TIMKEN. The Canadian customer service numbers are 800-565-4927 (English) and 800-565-0438 (French-Canadian).

Numerical List Size & Type

Part No.	Lip Mat'l	Shaft Size	Hsg. Bore	Seal O.D.	Seal Width	Type/Illus.	Part No.	Lip Mat'l	Shaft Size	Hsg. Bore	Seal O.D.	Seal Width	Type/Illus.
450000 SERIES (cont.)							470000 SERIES (cont.)						
*457661V	V	4.250	5.876	5.881	.500	45	*470092	S	1.875	3.189	3.194	.437	47
*457704	S	12.000	13.500	13.508	.750	45	470094	S	1.937	3.189	3.194	.437	47
*457734	S	4.720	6.312	6.318	.473	45	*470095	S	2.000	3.189	3.194	.437	47
*457808	S	6.500	7.627	7.633	.625	45	*470098	S	2.187	3.350	3.355	.468	47
457874	S	6.125	7.627	7.633	.625	45	*470101	S	2.375	3.350	3.355	.468	47
*457961	S	3.312	5.125	5.131	.500	45	*470101N	N	2.375	3.350	3.355	.468	47
*457991	S	7.625	9.250	9.258	.625	45	*470102N	N	2.000	3.371	3.376	.468	47
457997	S	10.500	12.000	12.008	.625	45	*470109	S	1.562	2.750	2.754	.500	47
458009V	V	8.250	9.500	9.509	.625	45	470109N	N	1.562	2.750	2.754	.500	47
							*470115	S	2.125	2.996	3.001	.500	47
470000 SERIES							470000 SERIES (cont.)						
470004	S	.468	1.124	1.126	.375	47	*470117	S	1.875	2.750	2.754	.500	47
470005	S	.500	1.124	1.128	.375	47	*470117H	H	1.875	2.750	2.754	.500	47
*470007	S	.562	1.124	1.128	.375	47	*470117N	N	1.875	2.750	2.754	.500	47
470009	S	.625	1.124	1.128	.375	47	470119	S	.500	.999	1.003	.375	47
*470009N	N	.625	1.124	1.128	.375	47	470120	S	1.000	1.499	1.503	.390	47
470014	S	.500	1.250	1.254	.375	47	*470120N	N	1.000	1.499	1.503	.390	47
*470016	S	.562	1.250	1.254	.375	47	*470121	S	2.125	3.189	3.194	.437	47
470018	S	.625	1.250	1.254	.375	47	*470122	S	1.437	2.623	2.627	.500	47
*470019	S	.500	1.375	1.379	.406	47	470129	S	1.312	2.062	2.066	.437	47
*470021	S	.562	1.375	1.379	.406	47	*470132	S	2.250	3.371	3.376	.468	47
470023	S	.625	1.375	1.379	.406	47	470135	S	1.375	2.125	2.129	.437	47
470025	S	.687	1.375	1.379	.406	47	*470135N	N	1.375	2.125	2.129	.437	47
470027	S	.750	1.375	1.379	.406	47	*470136	N	1.500	2.250	2.254	.500	47
*470028	S	.750	1.499	1.503	.390	47	*470137	S	.687	1.124	1.128	.375	47
*470029	S	.781	1.499	1.503	.390	47	470138V➔	V	1.937	2.686	2.690	.500	47
470032	S	.875	1.499	1.503	.390	47	*470139	S	2.187	2.996	3.001	.500	47
470033	S	.750	1.828	1.832	.437	47	*470140	S	1.250	1.752	1.756	.437	47
470034	S	.781	1.828	1.832	.437	47	470140N	N	1.250	1.752	1.756	.437	47
*470037	S	.875	1.828	1.832	.437	47	470141	S	.750	1.250	1.254	.375	47
470039	S	.937	1.828	1.832	.437	47	*470143	S	1.562	2.561	2.565	.500	47
470041	S	1.000	1.828	1.832	.437	47	*470144	S	1.437	2.502	2.506	.500	47
470045	S	1.125	1.828	1.832	.437	47	*470152	S	1.187	2.125	2.129	.437	47
*470047	S	1.187	1.983	1.987	.437	47	*470154	S	1.687	2.502	2.506	.500	47
470049	S	1.250	1.983	1.987	.437	47	*470154H	H	1.687	2.502	2.506	.500	47
470050	S	1.281	1.983	1.987	.437	47	*470155	S	1.750	2.758	2.762	.500	47
*470051	S	1.156	2.062	2.066	.437	47	*470157	S	1.000	2.000	2.004	.437	47
*470052	S	1.187	2.062	2.066	.437	47	*470160	S	1.125	2.000	2.004	.437	47
*470053	S	1.312	2.374	2.378	.500	47	470162	S	1.187	2.000	2.004	.437	47
*470055	S	1.375	2.374	2.378	.500	47	*470162N	N	1.187	2.000	2.004	.437	47
470055N	N	1.375	2.374	2.378	.500	47	470163	S	1.250	2.000	2.004	.437	47
*470057	S	1.437	2.374	2.378	.500	47	470163V	V	1.250	2.000	2.004	.437	47
470059	S	1.500	2.374	2.378	.500	47	*470163N	N	1.250	2.000	2.004	.437	47
*470059H	H	1.500	2.374	2.378	.500	47	470165	S	1.250	2.250	2.254	.500	47
*470059N	N	1.500	2.374	2.378	.500	47	*470167	S	1.312	2.250	2.254	.500	47
*470061	S	1.375	2.437	2.441	.468	47	470169	S	1.375	2.250	2.254	.500	47
470062	S	1.437	2.437	2.441	.468	47	*470171	S	1.437	2.250	2.254	.500	47
*470063	S	1.500	2.437	2.441	.468	47	*470171H	H	1.437	2.250	2.254	.500	47
470064	S	1.562	2.437	2.441	.468	47	*470171N	N	1.437	2.250	2.254	.500	47
470066	S	1.625	2.437	2.441	.468	47	*470182	S	1.125	1.983	1.987	.437	47
*470067	S	1.500	2.502	2.506	.500	47	*470183	S	1.750	2.750	2.754	.500	47
*470069	S	1.625	2.623	2.627	.500	47	*470183N	N	1.750	2.750	2.754	.500	47
*470069H	H	1.625	2.623	2.627	.500	47	*470185	S	1.562	2.502	2.506	.500	47
*470070	S	1.750	2.623	2.627	.500	47	*470186	S	1.687	2.750	2.754	.500	47
*470071	S	1.875	2.623	2.627	.500	47	*470187	S	1.000	2.062	2.066	.437	47
*470071H	H	1.875	2.623	2.627	.500	47	470189	S	1.125	1.752	1.756	.437	47
470074	S	1.687	2.686	2.690	.500	47	470189H	H	1.125	1.752	1.756	.437	47
*470076	S	1.750	2.686	2.690	.500	47	*470189N	N	1.125	1.752	1.756	.437	47
470077	S	1.500	2.758	2.762	.500	47	470190	S	1.500	2.561	2.565	.500	47
*470080	S	1.687	2.875	2.879	.468	47	*470194	S	1.625	2.502	2.506	.500	47
*470082	S	1.875	2.875	2.879	.468	47	470195	S	.312	.999	1.003	.375	47
*470084	S	1.875	2.996	3.001	.500	47	470199	S	.437	.999	1.003	.375	47
*470085	S	2.000	2.996	3.001	.500	47	*470199N	N	.437	.999	1.003	.375	47
*470085H	H	2.000	2.996	3.001	.500	47	*470199V	V	.437	.999	1.003	.375	47
*470085N	N	2.000	2.996	3.001	.500	47	*470202	S	.562	.999	1.003	.375	47
470086	S	1.687	3.062	3.066	.500	47	*470203	S	.781	1.375	1.379	.406	47
*470087	S	1.750	3.061	3.066	.500	47	470204	S	.812	1.375	1.379	.406	47
470088	S	1.750	3.189	3.194	.437	47	*470205	S	.687	1.499	1.503	.390	47
*470090	S	1.812	3.189	3.194	.437	47	470207	S	.906	1.499	1.503	.390	47

NUMERICAL SECTION

For Illustration and Material Data See Technical Section

➔ Hydrodynamic Lip Design-CW

* The U.S. customer service number is 877-4-TIMKEN. The Canadian customer service numbers are 800-565-4927 (English) and 800-565-0438 (French-Canadian).

Part No.	Lip Mat'l	Shaft Size	Hsg. Bore	Seal O.D.	Seal Width	Type/ Illus.	Part No.	Lip Mat'l	Shaft Size	Hsg. Bore	Seal O.D.	Seal Width	Type/ Illus.
470000 SERIES (cont.)							470000 SERIES (cont.)						
470211	S	.750	1.624	1.628	.437	47	470358N	N	1.625	2.374	2.378	.500	47
*470212	S	.781	1.624	1.628	.437	47	*470359	S	1.750	2.996	3.001	.500	47
470215	S	.875	1.624	1.628	.437	47	*470360	S	2.000	2.686	2.690	.500	47
470219	S	1.000	1.624	1.628	.437	47	470361	S	1.750	2.561	2.565	.500	47
*470219N	N	1.000	1.624	1.628	.437	47	470361V	V	1.750	2.561	2.565	.500	47
*470222	S	.750	1.752	1.756	.437	47	470362	S	1.156	2.125	2.129	.437	47
*470223	S	.781	1.752	1.756	.437	47	*470365	S	2.125	2.875	2.879	.468	47
*470226	S	.875	1.752	1.756	.437	47	*470368V	V	1.250	2.125	2.129	.268	47
470230	S	1.000	1.752	1.756	.437	47	470380	S	1.500	2.375	2.378	.312	47
*470230H	H	1.000	1.752	1.756	.437	47	470380A	A	1.500	2.375	2.379	.312	47
*470233	S	1.000	1.874	1.878	.437	47	470380V	V	1.500	2.375	2.378	.312	47
470236	S	1.125	1.874	1.878	.437	47	*470381	S	1.125	1.624	1.628	.437	47
470241	S	1.125	2.062	2.066	.437	47	*470389	S	2.000	2.750	2.754	.500	47
*470241V	V	1.125	2.062	2.066	.437	47	*470389N	N	2.000	2.750	2.754	.500	47
470244	S	1.250	2.062	2.066	.437	47	470390	S	.750	1.874	1.878	.250	47
470245	S	1.250	2.125	2.129	.437	47	*470390N	N	.750	1.874	1.878	.250	47
*470247	S	1.312	2.125	2.129	.437	47	470394	S	1.500	2.125	2.129	.437	47
*470262	S	1.562	2.623	2.627	.500	47	*470394H	H	1.500	2.125	2.129	.437	47
*470265	S	1.687	2.623	2.627	.500	47	*470394N	N	1.500	2.125	2.129	.437	47
*470265H	H	1.687	2.623	2.627	.500	47	470398	S	.875	1.374	1.378	.406	47
*470267	S	1.812	2.623	2.627	.500	47	470403	S	1.375	2.062	2.066	.437	47
*470267V	V	1.812	2.623	2.627	.500	47	470409	S	1.937	2.412	2.416	.468	47
*470272	S	1.875	2.686	2.690	.500	47	*470410	S	2.000	2.623	2.627	.500	47
*470273	S	1.562	2.758	2.762	.500	47	*470418	S	1.562	2.875	2.879	.468	47
*470283	S	1.875	2.758	2.762	.500	47	*470424	S	.875	1.874	1.878	.437	47
*470283H	H	1.875	2.758	2.762	.500	47	*470433	S	2.250	3.125	3.130	.500	47
*470283N	N	1.875	2.758	2.762	.500	47	*470438	S	1.562	2.374	2.378	.500	47
470286	S	1.625	2.750	2.754	.500	47	*470441	S	2.250	2.996	3.001	.500	47
*470291	S	1.750	2.875	2.879	.468	47	*470441V	V	2.250	2.996	3.001	.500	47
*470298	S	1.875	3.000	3.005	.500	47	*470442V★	V	<i>30,00</i>	<i>72,00</i>	<i>72,14</i>	<i>9,50</i>	47
*470300	S	1.937	3.000	3.005	.500	47			1.181	2.835	2.840	.374	
*470301	S	2.000	3.000	3.005	.500	47	*470444	S	1.375	2.502	2.506	.500	47
*470303	S	2.125	3.000	3.005	.500	47	*470449	S	1.000	1.561	1.565	.375	47
*470303N	N	2.125	3.000	3.005	.500	47	470451	S	1.500	2.062	2.066	.437	47
*470303V	V	2.125	3.000	3.005	.500	47	*470451H	H	1.500	2.062	2.066	.437	47
*470304	S	1.875	3.061	3.066	.500	47	*470452	S	1.375	2.835	2.839	.468	47
*470308	S	2.125	3.061	3.066	.500	47	*470453	S	1.437	2.125	2.129	.437	47
470308N	N	2.125	3.061	3.066	.500	47	*470453N	N	1.437	2.125	2.129	.437	47
*470309	S	1.937	3.125	3.130	.500	47	*470455	S	1.937	2.623	2.627	.500	47
*470310	S	2.000	3.125	3.130	.500	47	470460	S	1.687	2.561	2.565	.500	47
*470312	S	2.125	3.125	3.130	.500	47	*470461	S	1.500	2.750	2.754	.500	47
*470312N	N	2.125	3.125	3.130	.500	47	*470463	S	1.375	2.750	2.754	.500	47
*470314	S	2.125	3.251	3.256	.500	47	*470479	S	1.687	2.437	2.441	.468	47
*470314N	N	2.125	3.251	3.256	.500	47	*470481	S	1.250	2.437	2.441	.468	47
*470315	S	2.187	3.251	3.256	.500	47	470487	S	1.500	2.686	2.690	.500	47
*470316	S	2.250	3.251	3.256	.500	47	470487N	N	1.500	2.686	2.690	.500	47
*470317	S	2.312	3.251	3.256	.500	47	*470489	S	2.187	2.875	2.879	.468	47
*470320	S	2.375	3.189	3.194	.437	47	*470494	S	1.750	2.502	2.506	.375	47
*470322	S	2.437	3.251	3.256	.500	47	*470494N	N	1.750	2.502	2.506	.375	47
*470326	S	1.500	2.996	3.001	.500	47	*470496	S	2.500	3.350	3.355	.468	47
470328	S	1.187	1.686	1.690	.375	47	470503	S	1.312	2.437	2.441	.468	47
*470330	S	2.500	3.371	3.376	.468	47	*470504	S	1.375	2.623	2.627	.500	47
*470330N	N	2.500	3.371	3.376	.468	47	470506	S	.718	1.250	1.254	.375	47
470331N	N	1.843	2.750	2.754	.500	47	470515	S	.812	1.561	1.565	.375	47
470334	S	1.750	2.686	2.690	.375	47	*470519	S	2.500	3.251	3.256	.500	47
470336	S	1.187	2.250	2.254	.500	47	*470519N	S	2.500	3.251	3.256	.500	47
470340	S	.750	1.561	1.565	.375	47	*470520	S	2.250	3.000	3.005	.500	47
470342	S	1.062	1.983	1.987	.437	47	*470520N	N	2.250	3.000	3.005	.500	47
*470344	S	1.187	1.828	1.832	.437	47	*470521	S	1.312	1.874	1.878	.437	47
470347	S	1.187	2.437	2.441	.468	47	*470522	S	1.375	2.000	2.004	.437	47
*470350	S	2.375	3.371	3.376	.468	47	*470523	S	1.500	2.875	2.879	.468	47
470351	S	1.750	2.437	2.441	.468	47	*470524	S	1.875	3.371	3.376	.468	47
*470352	S	1.750	2.502	2.506	.500	47	470530	S	2.000	2.996	3.001	.375	47
*470352H	H	1.750	2.502	2.506	.500	47	470530V	V	2.000	2.996	3.001	.375	47
470354	S	2.187	3.189	3.194	.437	47	470541	S	1.000	1.752	1.756	.375	47
*470355	S	.687	1.250	1.254	.375	47	*470541N	N	1.000	1.752	1.756	.375	47
470358	S	1.625	2.374	2.378	.500	47	470543	S	2.000	2.716	2.720	.468	47
*470358H	H	1.625	2.374	2.378	.500	47	470547	S	2.882	3.431	3.436	.291	47

For Illustration and Material Data See Technical Section

* The U.S. customer service number is 877-4-TIMKEN. The Canadian customer service numbers are 800-565-4927 (English) and 800-565-0438 (French-Canadian). ★ Metric Seal

Numerical List Size & Type

Part No.	Lip Mat'l	Shaft Size	Hsg. Bore	Seal O.D.	Seal Width	Type/Illus.	Part No.	Lip Mat'l	Shaft Size	Hsg. Bore	Seal O.D.	Seal Width	Type/Illus.
470000 SERIES (cont.)							470000 SERIES (cont.)						
470548	S	1.500	2.250	2.254	.375	47	*470791N	N	.625	1.124	1.128	.312	47
*470552	S	2.375	3.125	3.130	.500	47	470806	S	1.250	2.835	2.839	.468	47
*470552H	H	2.375	3.125	3.130	.500	47	470808	S	1.437	2.750	2.754	.500	47
*470552N	N	2.375	3.125	3.130	.500	47	*470824★	S	50,00	70,00	70,10	9,00	47
470553	S	1.000	1.499	1.503	.312	47			1.969	2.756	2.760	.354	
*470553H	H	1.000	1.499	1.503	.312	47	*470825	S	2.375	3.623	3.628	.375	47
*470553N	N	1.000	1.499	1.503	.312	47	*470856★	S	50,00	65,00	65,15	8,00	47
470557	S	.625	1.377	1.381	.406	47			1.969	2.559	2.565	.315	
*470559	S	1.250	2.374	2.378	.500	47	*470867	S	2.125	2.875	2.879	.437	47
*470561	S	1.312	2.000	2.004	.375	47	*470867H	H	2.125	2.875	2.879	.437	47
470565	S	2.375	3.125	3.130	.375	47	*470867N	N	2.125	2.875	2.879	.437	47
*470565N	N	2.375	3.125	3.130	.375	47	*470877	S	.875	1.575	1.579	.250	47
*470565V	V	2.375	3.125	3.130	.375	47	470895	S	.750	1.375	1.379	.312	47
470567	S	.875	1.375	1.379	.312	47	470898	S	2.125	2.875	2.879	.375	47
*470567H	H	.875	1.375	1.379	.312	47	470898V	V	2.125	2.875	2.879	.375	45
470567N	N	.875	1.375	1.379	.312	47	470898A	A	2.125	2.875	2.879	.375	47
*470567V	V	.875	1.375	1.379	.312	47	*470898N	N	2.125	2.875	2.879	.375	47
*470574	S	2.375	3.251	3.256	.500	47	*470903	S	1.562	2.502	2.506	.375	47
470574N	N	2.375	3.251	3.256	.500	47	*470929	S	1.750	2.374	2.378	.500	47
470588	S	.812	1.575	1.579	.375	47	470946	S	1.187	2.686	2.690	.500	47
470590	S	.875	1.752	1.756	.250	47	470950	S	1.375	2.437	2.441	.375	47
470592	S	.812	1.499	1.503	.312	47	470954	S	.750	1.250	1.254	.250	47
470593	S	1.000	1.828	1.832	.296	47	470954A	A	.750	1.250	1.254	.250	47
470596	S	1.687	2.835	2.839	.468	47	*470954H	H	.750	1.250	1.254	.250	47
470596V	V	1.687	2.835	2.839	.468	47	*470954N	N	.750	1.250	1.254	.250	47
470601	S	.781	1.250	1.254	.250	47	470954V	V	.750	1.250	1.254	.250	47
470604	S	1.125	2.250	2.254	.500	47	*470961	S	2.562	3.371	3.376	.468	47
470605	S	2.500	3.371	3.376	.375	47	*470972	S	2.125	3.371	3.376	.468	47
470606	S	1.062	1.686	1.690	.375	47	*470975	S	.625	1.499	1.503	.390	47
*470610	S	.750	1.874	1.878	.437	47	470987	S	2.375	3.481	3.486	.437	47
470625	S	1.500	2.250	2.254	.312	47	*470988	S	2.375	3.061	3.066	.500	47
470625A	A	1.500	2.250	2.254	.312	47	*470988N	N	2.375	3.061	3.066	.500	47
*470625N	N	1.500	2.250	2.254	.312	47	470989	S	1.375	3.000	3.005	.500	47
470625V	V	1.500	2.250	2.254	.312	47	*470991N	N	1.500	2.062	2.066	.375	47
*470639	S	2.125	2.835	2.839	.468	47	*471001	S	1.062	1.750	1.754	.375	47
*470642	S	1.125	2.000	2.004	.500	47	471015	S	.937	1.375	1.379	.312	47
470645	S	.875	2.000	2.004	.437	47	*471016	S	1.562	2.125	2.129	.437	47
*470650	S	.562	1.000	1.004	.312	47	471024	S	.625	1.624	1.628	.437	47
*470652	S	1.250	2.000	2.004	.375	47	*471031	S	.781	1.378	1.382	.406	47
470672	S	1.399	2.250	2.254	.250	47	*471060	S	1.125	2.125	2.129	.437	47
470680	S	.875	1.499	1.503	.312	47	471076	S	1.031	1.575	1.579	.312	47
*470681	S	2.187	3.125	3.130	.500	47	471076V	V	1.031	1.575	1.579	.312	47
470682	S	1.562	2.623	2.627	.312	47	471076V	V	1.031	1.575	1.579	.312	47
*470683	S	1.250	1.874	1.878	.375	47	*471078	S	1.875	3.251	3.256	.500	47
*470684	S	1.562	2.441	2.445	.500	47	*471084	S	1.562	2.250	2.254	.500	47
470687	S	1.687	3.125	3.130	.500	47	*471091	S	2.000	3.062	3.066	.500	47
*470687N	N	1.687	3.125	3.130	.500	47	*471091N	N	2.000	3.062	3.066	.500	47
*470706	S	1.250	1.979	1.983	.375	47	471100	S	1.125	1.624	1.628	.312	47
470712	S	1.125	1.874	1.878	.250	47	*471100N	N	1.125	1.624	1.628	.312	47
470712A	A	1.125	1.874	1.878	.250	47	471103	S	.375	.999	1.004	.250	47
*470712N	N	1.125	1.874	1.878	.250	47	471105	S	1.375	2.875	2.879	.468	47
470712V	V	1.125	1.874	1.878	.250	47	*471122	S	1.750	2.437	2.441	.375	47
*470719	S	1.750	3.000	3.005	.500	47	*471131	S	1.375	2.374	2.378	.375	47
*470719H	H	1.750	3.000	3.005	.500	47	*471131N	N	1.375	2.374	2.378	.375	47
*470720	S	1.875	3.125	3.130	.500	47	*471133	S	1.125	1.752	1.756	.375	47
470737	S	2.250	3.189	3.194	.437	47	*471136	S	1.375	2.248	2.252	.375	47
470737N	N	2.250	3.189	3.194	.437	47	471137	S	.875	1.828	1.832	.375	47
*470746	S	1.437	2.686	2.690	.500	47	471138	S	2.250	3.125	3.130	.375	47
*470751	S	1.562	2.686	2.690	.500	47	*471139	S	1.875	3.000	3.005	.375	47
*470755	S	1.625	2.250	2.254	.500	47	471141	S	1.750	2.875	2.879	.375	47
470764	S	2.375	2.996	3.001	.500	47	471141V	V	1.750	2.875	2.879	.375	47
470774	S	1.375	2.062	2.066	.375	47	*471143N	N	2.625	3.251	3.256	.437	47
*470774N	N	1.375	2.062	2.066	.375	47	*471150	S	1.625	2.374	2.378	.375	47
470774V	V	1.375	2.062	2.066	.375	47	471169	S	1.750	2.411	2.415	.380	47
*470776	S	1.375	2.686	2.690	.500	47	*471169N	N	1.750	2.411	2.415	.380	47
*470783	S	1.843	2.502	2.506	.500	47	*471171	S	.984	1.500	1.504	.312	47
*470791	S	.625	1.124	1.128	.312	47	471192	S	1.375	2.125	2.129	.312	47
*470791H	H	.625	1.124	1.128	.312	47	471192V	V	1.375	2.125	2.129	.312	47

NUMERICAL SECTION

For Illustration and Material Data See Technical Section

* The U.S. customer service number is 877-4-TIMKEN. The Canadian customer service numbers are 800-565-4927 (English) and 800-565-0438 (French-Canadian). ★ Metric Seal

Part No.	Lip Mat'l	Shaft Size	Hsg. Bore	Seal O.D.	Seal Width	Type/ Illus.	Part No.	Lip Mat'l	Shaft Size	Hsg. Bore	Seal O.D.	Seal Width	Type/ Illus.
470000 SERIES (cont.)							470000 SERIES (cont.)						
*471192N	N	1.375	2.125	2.129	.312	47	471413A	A	1.250	1.752	1.756	.250	47
471193	S	1.301	2.000	2.004	.437	47	*471413N	N	1.250	1.752	1.756	.250	47
471193N	N	1.301	2.000	2.004	.437	47	471413V	V	1.250	1.752	1.756	.250	47
471195	S	1.937	2.502	2.506	.375	47	471419	S	1.625	2.437	2.441	.375	47
*471211	S	.493	1.000	1.004	.250	47	471424	S	2.000	2.623	2.627	.312	47
471224	S	1.000	1.499	1.503	.250	47	471424A	A	2.000	2.623	2.627	.312	47
471224A	A	1.000	1.499	1.503	.250	47	471424V	V	2.000	2.623	2.627	.312	47
*471224N	N	1.000	1.499	1.503	.250	47	471442	S	.500	.999	1.003	.250	47
471224V	V	1.000	1.499	1.503	.250	47	471442A	A	.500	.999	1.003	.250	47
471231	S	.812	1.375	1.379	.312	47	*471442H	H	.500	.999	1.003	.250	47
471231V	V	.812	1.375	1.379	.312	47	*471442N	N	.500	.999	1.003	.250	47
*471246	S	1.250	1.874	1.878	.437	47	471442V	V	.500	.999	1.003	.250	47
471255	S	.625	1.375	1.379	.250	47	471443	S	.781	1.375	1.379	.250	47
471255A	A	.625	1.375	1.379	.250	47	*471443N	N	.781	1.375	1.379	.250	47
471255V	V	.625	1.375	1.379	.250	47	*471456	S	1.187	1.874	1.878	.437	47
471264	S	.625	1.250	1.254	.250	47	*471463	S	1.875	2.835	2.839	.468	47
471264V	V	.625	1.250	1.254	.250	47	*471464H	H	1.125	2.000	2.004	.312	47
471264A	A	.625	1.250	1.254	.250	47	471465	S	1.000	1.689	1.693	.250	47
471267	S	.875	1.375	1.379	.250	47	471466	S	.625	1.124	1.128	.250	47
471267A	A	.875	1.375	1.379	.250	47	471466A	A	.625	1.124	1.128	.250	47
*471267H	H	.875	1.375	1.379	.250	47	*471466N	N	.625	1.124	1.128	.250	47
*471267T	T	.875	1.375	1.379	.250	47	471466V	V	.625	1.124	1.128	.250	47
471267V	V	.875	1.375	1.379	.250	47	471472	S	.500	1.250	1.254	.250	47
471268	S	1.375	2.000	2.004	.375	47	471472V	V	.500	1.250	1.254	.250	47
471268N	N	1.375	2.000	2.004	.375	47	*471475	S	2.625	3.543	3.548	.500	47
*471268V	V	1.375	2.000	2.004	.375	47	*471490	S	.500	1.000	1.004	.250	47
471270	S	1.000	1.561	1.565	.250	47	471498	S	.750	1.575	1.579	.312	47
471270V	V	1.000	1.561	1.565	.250	47	*471498H	H	.750	1.575	1.579	.312	47
471271	S	2.500	3.251	3.256	.375	47	471504	S	1.750	2.437	2.441	.312	47
471271A	A	2.500	3.251	3.256	.375	47	471504V	V	1.750	2.437	2.441	.312	47
471271V	V	2.500	3.251	3.256	.375	47	*471507	S	1.500	2.252	2.256	.375	47
471272	S	2.250	3.000	3.005	.375	47	*471507N	N	1.500	2.252	2.256	.375	47
*471272H	H	2.250	3.000	3.005	.375	47	*471509	S	2.500	3.250	3.256	.437	47
471272N	N	2.250	3.000	3.005	.375	47	*471509V	V	2.500	3.250	3.256	.437	47
471272V	V	2.250	3.000	3.005	.375	47	471516	S	1.000	2.441	2.445	.375	47
471276	S	1.375	2.441	2.445	.375	47	471526	S	.500	1.124	1.128	.250	47
*471276N	N	1.375	2.441	2.445	.375	47	471526V	V	.500	1.124	1.128	.250	47
471276V	V	1.375	2.441	2.445	.375	47	471526A	A	.500	1.124	1.128	.250	47
471281	S	.562	1.124	1.128	.250	47	471529	S	.687	1.124	1.128	.250	47
*471288	S	1.750	2.374	2.378	.375	47	471530	S	.531	1.124	1.128	.312	47
*471288N	N	1.750	2.374	2.378	.375	47	471532	S	.593	1.124	1.128	.312	47
*471289	S	1.625	2.251	2.256	.375	47	471535	S	.562	1.250	1.254	.250	47
*471291V	V	.625	1.181	1.185	.350	47	471538	S	.687	1.250	1.254	.250	47
*471294	S	.500	1.124	1.128	.312	47	471539	S	.812	1.250	1.254	.250	47
*471297	S	.687	1.125	1.129	.312	47	*471540	S	.781	1.250	1.254	.375	47
*471297N	N	.687	1.125	1.129	.312	47	471540V	V	.781	1.250	1.254	.375	47
*471308	S	1.500	2.374	2.378	.375	47	471549	S	.500	1.375	1.379	.250	47
*471315	S	.562	.999	1.003	.250	47	471551	S	.562	1.375	1.379	.250	47
471316	S	1.562	2.686	2.690	.375	47	471553	S	.687	1.375	1.379	.250	47
*471324	S	.625	1.375	1.379	.312	47	471554	S	.750	1.375	1.379	.250	47
471337	S	.781	1.752	1.756	.312	47	471554A	A	.750	1.375	1.379	.250	47
*471338	S	2.187	3.000	3.005	.500	47	*471554N	N	.750	1.375	1.379	.250	47
471341	S	2.250	2.996	3.001	.437	47	471554V	V	.750	1.375	1.379	.250	47
*471341H	H	2.250	2.996	3.001	.437	47	471555	S	.500	1.375	1.379	.312	47
471341N	N	2.250	2.996	3.001	.437	47	471558	S	.593	1.375	1.379	.312	47
471344	S	1.500	2.441	2.445	.375	47	*471559	S	.687	1.375	1.379	.312	47
*471353★	S	30.00	62.00	62.10	9.50	47	*471560	S	.781	1.375	1.379	.312	47
471354	S	1.187	2.062	2.066	.250	47	471564	S	.625	1.499	1.503	.250	47
*471376	S	2.250	3.500	3.505	.375	47	471567	S	.750	1.499	1.503	.250	47
471379	S	1.375	3.150	3.154	.375	47	471570	S	.875	1.499	1.503	.250	47
*471385	S	.750	1.983	1.987	.437	47	471571	S	.937	1.499	1.503	.250	47
471391	S	1.937	3.125	3.130	.375	47	471571V	V	.937	1.499	1.503	.250	47
*471394	S	2.312	3.251	3.256	.375	47	471571V	V	.937	1.499	1.503	.250	47
471405	S	1.437	3.000	3.005	.500	47	*471577	S	.625	1.499	1.503	.312	47
471407	S	1.250	2.441	2.445	.375	47	471579	S	.687	1.499	1.503	.312	47
*471410	S	1.687	2.328	2.332	.437	47	*471580	S	.750	1.499	1.503	.312	47
471413	S	1.250	1.752	1.756	.250	47	*471581	S	.781	1.499	1.503	.312	47

For Illustration and Material Data See Technical Section

* The U.S. customer service number is 877-4-TIMKEN. The Canadian customer service numbers are 800-565-4927 (English) and 800-565-0438 (French-Canadian). ★ Metric Seal

Numerical List Size & Type

Part No.	Lip Mat'l	Shaft Size	Hsg. Bore	Seal O.D.	Seal Width	Type/ Illus.	Part No.	Lip Mat'l	Shaft Size	Hsg. Bore	Seal O.D.	Seal Width	Type/ Illus.
470000 SERIES (cont.)							470000 SERIES (cont.)						
471612	S	.625	1.575	1.579	.312	47	471760	S	1.000	2.000	2.004	.250	47
*471618	S	1.000	1.575	1.579	.312	47	471760A	A	1.000	2.000	2.004	.250	47
471619	S	1.000	2.062	2.066	.250	47	471760V	V	1.000	2.000	2.004	.250	47
471633	S	.875	1.577	1.581	.250	47	471762	S	1.062	2.000	2.004	.250	47
*471633N	N	.875	1.577	1.581	.250	47	471763	S	1.125	2.000	2.004	.250	47
471642	S	.687	1.624	1.628	.250	47	471763A	A	1.125	2.000	2.004	.250	47
471643	S	.750	1.624	1.628	.250	47	471763V	V	1.125	2.000	2.004	.250	47
471645	S	.812	1.624	1.628	.250	47	471764	S	1.156	2.000	2.004	.250	47
471645V	V	.812	1.624	1.628	.250	47	471765	S	1.187	2.000	2.004	.250	47
471646	S	.875	1.624	1.628	.250	47	*471765N	N	1.187	2.000	2.004	.250	47
471647	S	.937	1.624	1.628	.250	47	471766	S	1.250	2.000	2.004	.250	47
471648	S	.968	1.624	1.628	.250	47	471766A	A	1.250	2.000	2.004	.250	47
471649	S	1.000	1.624	1.628	.250	47	471766V	V	1.250	2.000	2.004	.250	47
471649A	A	1.000	1.624	1.628	.250	47	*471770	S	1.000	2.000	2.004	.375	47
471649V	V	1.000	1.624	1.628	.250	47	471772	S	1.062	2.000	2.004	.375	47
471651	S	1.062	1.624	1.628	.250	47	*471781N	N	1.250	2.031	2.035	.375	47
471652	S	1.125	1.624	1.628	.250	47	471785	S	1.125	2.062	2.066	.250	47
471652A	A	1.125	1.624	1.628	.250	47	*471785V	V	1.125	2.062	2.066	.250	47
*471652H	H	1.125	1.624	1.628	.250	47	471787	S	1.250	2.062	2.066	.250	47
*471652N	N	1.125	1.624	1.628	.250	47	471787V	V	1.250	2.062	2.066	.250	47
471652V	V	1.125	1.624	1.628	.250	47	471787A	A	1.250	2.062	2.066	.250	47
471653	S	.625	1.624	1.628	.312	47	471795	S	1.250	2.125	2.129	.250	47
*471656	S	.750	1.624	1.628	.312	47	471795V	V	1.250	2.125	2.129	.250	47
*471656H	H	.750	1.624	1.628	.312	47	471795N	N	1.250	2.125	2.129	.250	47
*471659	S	.875	1.624	1.628	.312	47	471801	S	1.250	2.252	2.256	.375	47
*471660	S	.937	1.624	1.628	.312	47	*471801H	H	1.250	2.252	2.256	.375	47
*471662	S	1.000	1.624	1.628	.312	47	471808	S	1.250	2.374	2.378	.375	47
471684	S	.750	1.752	1.756	.250	47	*471809	S	1.437	2.374	2.378	.375	47
471686	S	.812	1.752	1.756	.250	47	*471810	S	1.562	2.374	2.378	.375	47
471688	S	.968	1.752	1.756	.250	47	*471810V	V	1.562	2.374	2.378	.375	47
471689	S	1.000	1.752	1.756	.250	47	*471812	S	1.687	2.374	2.378	.375	47
471689A	A	1.000	1.752	1.756	.250	47	471817	S	1.812	2.437	2.441	.468	47
471689V	V	1.000	1.752	1.756	.250	47	471818	S	1.250	2.437	2.441	.375	47
471692	S	1.125	1.752	1.756	.250	47	471820	S	1.500	2.437	2.441	.375	47
471692V	V	1.125	1.752	1.756	.250	47	471821	S	1.562	2.437	2.441	.375	47
471692A	A	1.125	1.752	1.756	.250	47	*471821H	H	1.562	2.437	2.441	.375	47
*471692N	N	1.125	1.752	1.756	.250	47	471827	S	1.562	2.441	2.445	.375	47
*471695	S	.625	1.752	1.756	.312	47	471829	S	1.625	2.441	2.445	.375	47
471698	S	.750	1.752	1.756	.312	47	471829V	V	1.625	2.441	2.445	.375	47
*471700	S	.875	1.752	1.756	.312	47	471831	S	1.750	2.441	2.445	.375	47
*471702	S	.968	1.752	1.756	.312	47	*471831H	H	1.750	2.441	2.445	.375	47
*471703	S	1.000	1.752	1.756	.312	47	*471831N	N	1.750	2.441	2.445	.375	47
471705	S	1.062	1.752	1.756	.312	47	*471831V	V	1.750	2.441	2.445	.375	47
*471706	S	1.125	1.752	1.756	.312	47	471833	S	1.250	2.502	2.506	.375	47
*471706N	N	1.125	1.752	1.756	.312	47	471835	S	1.375	2.502	2.506	.375	47
471707	S	1.156	1.752	1.756	.312	47	*471837	S	1.500	2.502	2.506	.375	47
471707N	N	1.156	1.752	1.756	.312	47	*471839	S	1.625	2.502	2.506	.375	47
471709	S	1.250	1.752	1.756	.312	47	*471839H	H	1.625	2.502	2.506	.375	47
*471709H	H	1.250	1.752	1.756	.312	47	*471839N	N	1.625	2.502	2.506	.375	47
*471709N	N	1.250	1.752	1.756	.312	47	471841	S	1.843	2.502	2.506	.375	47
*471709V	V	1.250	1.752	1.756	.312	47	471845N	N	1.250	2.561	2.565	.500	47
*471718	S	1.062	1.752	1.756	.375	47	*471847	S	1.375	2.561	2.565	.500	47
471729	S	.812	1.874	1.878	.250	47	471847N	N	1.375	2.561	2.565	.500	47
471730	S	.875	1.874	1.878	.250	47	*471853	S	1.875	2.561	2.565	.500	47
471733	S	1.000	1.874	1.878	.250	47	471854	S	1.937	2.561	2.565	.500	47
*471733N	N	1.000	1.874	1.878	.250	47	471862	S	1.437	2.686	2.690	.375	47
471735	S	1.062	1.874	1.878	.250	47	471866	S	1.812	2.686	2.690	.375	47
*471735H	H	1.062	1.874	1.878	.250	47	*471866N	N	1.812	2.686	2.690	.375	47
471736	S	1.156	1.874	1.878	.250	47	471868	S	1.875	2.686	2.690	.375	47
471737	S	1.250	1.874	1.878	.250	47	471869	S	1.937	2.686	2.690	.375	47
471737V	V	1.250	1.874	1.878	.250	47	*471869N	N	1.937	2.686	2.690	.375	47
471744	S	1.000	1.983	1.987	.250	47	471870	S	2.000	2.686	2.690	.375	47
471747	S	1.125	1.983	1.987	.250	47	471883	S	2.000	2.686	2.690	.437	47
*471749	S	1.187	1.983	1.987	.250	47	471887	S	2.437	3.125	3.130	.375	47
471750	S	1.250	1.983	1.987	.250	47	*471887H	H	2.437	3.125	3.130	.375	47
471750A	A	1.250	1.983	1.987	.250	47	*471887N	N	2.437	3.125	3.130	.375	47
471750V	V	1.250	1.983	1.987	.250	47	471904	S	1.312	2.835	2.839	.468	47
*471755	S	1.312	1.983	1.987	.437	47	471915	S	1.500	2.835	2.839	.468	47

NUMERICAL SECTION

For Illustration and Material Data See Technical Section

* The U.S. customer service number is 877-4-TIMKEN. The Canadian customer service numbers are 800-565-4927 (English) and 800-565-0438 (French-Canadian).

Part No.	Lip Mat'l	Shaft Size	Hsg. Bore	Seal O.D.	Seal Width	Type/ Illus.	Part No.	Lip Mat'l	Shaft Size	Hsg. Bore	Seal O.D.	Seal Width	Type/ Illus.
470000 SERIES (cont.)							470000 SERIES (cont.)						
471923N	N	1.625	2.875	2.879	.437	47	472234	S	2.187	2.996	3.001	.375	47
*471936	S	1.875	2.875	2.879	.437	47	*472236H	H	2.116	3.189	3.194	.468	47
*471940	S	1.937	2.875	2.879	.437	47	*472237	S	.781	1.850	1.854	.375	47
*471943	S	2.000	2.835	2.839	.468	47	472238	S	.968	2.440	2.445	.375	47
*471944	S	2.000	2.875	2.879	.437	47	472239	S	1.156	2.834	2.839	.375	47
*471949	S	2.125	2.750	2.754	.500	47	*472246	S	1.750	2.374	2.378	.437	47
*471949H	H	2.125	2.750	2.754	.500	47	472258	S	1.375	2.000	2.004	.312	47
*471949N	N	2.125	2.750	2.754	.500	47	472258A	A	1.375	2.000	2.004	.312	47
471950	S	2.125	2.758	2.762	.437	47	*472258N	N	1.375	2.000	2.004	.312	47
*471950H	H	2.125	2.758	2.762	.437	47	472258V	V	1.375	2.000	2.004	.312	47
*471950N	N	2.125	2.758	2.762	.437	47	472287	S	1.375	2.106	2.110	.312	47
471952	S	2.187	2.835	2.839	.468	47	472299	S	1.562	2.374	2.378	.312	47
*471953	S	2.187	2.875	2.879	.437	47	472299V	V	1.562	2.374	2.378	.312	47
471958	S	1.500	3.000	3.005	.375	47	472311	S	1.000	1.437	1.441	.250	47
471981	S	1.687	3.000	3.005	.375	47	472311V	V	1.000	1.437	1.441	.250	47
471984	S	1.750	3.000	3.005	.375	47	472319	S	1.937	2.623	2.627	.312	47
*471984N	N	1.750	3.000	3.005	.375	47	*472319V	V	1.937	2.623	2.627	.312	47
*472005	S	1.875	3.125	3.130	.375	47	472324	S	.984	1.499	1.503	.250	47
*472008	S	2.000	2.996	3.001	.437	47	472324A	A	.984	1.499	1.503	.250	47
*472009	S	2.000	3.000	3.005	.375	47	*472324H	H	.984	1.499	1.503	.250	47
*472009N	N	2.000	3.000	3.005	.375	47	472324V	V	.984	1.499	1.503	.250	47
*472010	S	2.000	3.125	3.130	.375	47	*472331	S	2.000	2.623	2.627	.375	47
472012	S	2.062	3.000	3.005	.375	47	472341	S	2.000	2.742	2.746	.375	47
472015	S	2.125	3.000	3.005	.375	47	*472341N	N	2.000	2.742	2.746	.375	47
*472015N	N	2.125	3.000	3.005	.375	47	472350	S	1.187	2.165	2.169	.250	47
472015V	V	2.125	3.000	3.005	.375	47	472354	S	1.375	1.874	1.878	.250	47
472016	S	2.125	3.125	3.130	.375	47	472354V	V	1.375	1.874	1.878	.250	47
*472017	S	2.187	2.996	3.001	.437	47	*472361	S	.750	2.374	2.378	.375	47
472018	S	2.187	3.000	3.005	.375	47	472394	S	1.937	3.000	3.005	.312	47
*472018N	N	2.187	3.000	3.005	.375	47	472397	S	2.000	3.000	3.005	.312	47
*472018V	V	2.187	3.000	3.005	.375	47	472397V	V	2.000	3.000	3.005	.312	47
*472019	S	2.187	3.062	3.066	.500	47	472409	S	2.125	3.189	3.194	.375	47
472020	S	2.187	3.125	3.130	.375	47	*472409N	N	2.125	3.189	3.194	.375	47
472029	S	2.500	3.189	3.194	.375	47	*472409V	V	2.125	3.189	3.194	.375	47
*472035	S	2.187	3.371	3.376	.468	47	472419	S	1.625	2.116	2.120	.312	47
472041	S	1.875	2.502	2.506	.375	47	*472419N	N	1.625	2.116	2.120	.312	47
*472041N	N	1.875	2.502	2.506	.375	47	472432	S	1.187	2.441	2.445	.375	47
*472065	S	.864	1.375	1.379	.250	47	472439	S	1.875	2.623	2.627	.312	47
*472065N	N	.864	1.375	1.379	.250	47	472439A	A	1.875	2.623	2.627	.312	47
472070	S	1.812	2.623	2.627	.375	47	472439V	V	1.875	2.623	2.627	.312	47
472082	S	2.000	2.880	2.884	.375	47	472446	S	1.500	3.150	3.155	.500	47
*472082N	N	2.000	2.880	2.884	.375	47	472452	S	.843	1.374	1.378	.312	47
*472083	S	1.375	2.000	2.004	.300	47	472466	S	1.500	2.048	2.052	.375	47
*472129	S	.750	1.263	1.267	.250	47	472467	S	.500	1.378	1.382	.406	47
*472137	S	.625	2.047	2.051	.312	47	*472473	S	3.375	4.376	4.381	.375	47
472138	S	1.000	2.047	2.051	.312	47	*472473H	H	3.375	4.376	4.381	.375	47
*472138N	N	1.000	2.047	2.051	.312	47	472475	S	1.187	1.874	1.878	.250	47
472144	S	1.937	2.875	2.879	.312	47	472492	S	2.000	2.750	2.754	.312	47
*472146	S	.625	2.441	2.445	.375	47	472492V	V	2.000	2.750	2.754	.312	47
472150	S	2.312	3.125	3.130	.375	47	472492A	A	2.000	2.750	2.754	.312	47
*472150N	N	2.312	3.125	3.130	.375	47	*472492N	N	2.000	2.750	2.754	.312	47
*472150V	V	2.312	3.125	3.130	.375	47	*472523	S	1.125	1.874	1.878	.375	47
472157	S	4.250	5.251	5.256	.375	47	472535	S	1.125	2.533	2.537	.250	47
472164	S	1.750	2.502	2.506	.312	47	472536	S	1.250	2.877	2.881	.250	47
472164A	A	1.750	2.502	2.506	.312	47	472538	S	.750	2.127	2.131	.250	47
472164V	V	1.750	2.502	2.506	.312	47	472539	S	1.000	2.533	2.537	.250	47
472179	S	1.750	2.750	2.754	.312	47	472554	S	1.500	1.983	1.987	.437	47
472179V	V	1.750	2.750	2.754	.312	47	472560N	N	1.125	1.561	1.565	.250	47
472179A	A	1.750	2.750	2.754	.312	47	*472560V	V	1.125	1.561	1.565	.250	47
*472184★	S	25.00	52.00	52.10	7.90	47	472572	S	1.875	2.750	2.754	.312	47
		.984	2.047	2.051	.311		*472579	S	2.062	2.875	2.879	.375	47
472185	S	1.750	2.623	2.627	.312	47	*472591	S	1.500	2.328	2.332	.437	47
472185V	V	1.750	2.623	2.627	.312	47	472635	S	1.552	2.502	2.506	.500	47
472189A★	S	1.500	2.377	2.381	.500	47	*472635N	N	1.552	2.502	2.506	.500	47
472193	S	1.750	2.561	2.566	.312	47	472636	S	2.250	3.251	3.256	.375	47
*472207	S	.625	1.624	1.628	.489	47	*472636V	V	2.250	3.251	3.256	.375	47
472213	S	1.562	2.250	2.254	.312	47	472642	S	1.375	2.047	2.051	.312	47
472222	S	1.531	2.374	2.379	.375	47	472642V	V	1.375	2.047	2.051	.312	47

For Illustration and Material Data See Technical Section

★ Hydrodynamic Lip Design-CCW

Numerical List Size & Type

Part No.	Lip Mat'l	Shaft Size	Hsg. Bore	Seal O.D.	Seal Width	Type/Illus.	Part No.	Lip Mat'l	Shaft Size	Hsg. Bore	Seal O.D.	Seal Width	Type/Illus.
470000 SERIES (cont.)							470000 SERIES (cont.)						
472644	S	1.125	2.047	2.051	.312	47	473213	S	1.312	2.374	2.378	.312	47
472644V	V	1.125	2.047	2.051	.312	47	473214	S	1.375	2.250	2.254	.312	47
472649	S	.750	2.047	2.051	.312	47	473214V	V	1.375	2.250	2.254	.312	47
*472650	S	.812	1.750	1.754	.312	47	473214A	A	1.375	2.250	2.254	.312	47
*472651	S	1.250	3.150	3.155	.375	47	473215	S	1.375	2.374	2.378	.312	47
472651V	V	1.250	3.150	3.155	.375	47	473224	S	1.437	2.125	2.129	.312	47
472653	S	2.000	2.835	2.839	.375	47	473225	S	1.437	2.374	2.378	.312	47
472653V	V	2.000	2.835	2.839	.375	47	473226	S	1.437	2.502	2.506	.312	47
472655	S	1.437	2.312	2.316	.375	47	473227	S	1.500	2.125	2.129	.312	47
472658	S	1.375	2.835	2.839	.375	47	*473227N	N	1.500	2.125	2.129	.312	47
*472658V	V	1.375	2.835	2.839	.375	47	473227V	V	1.500	2.125	2.129	.312	47
472660	S	1.656	2.937	2.941	.375	47	473228	S	1.500	2.502	2.506	.312	47
472674	S	1.125	1.983	1.987	.375	47	473228V	V	1.500	2.502	2.506	.312	47
472681	S	1.125	2.441	2.445	.375	47	*473228N	N	1.500	2.502	2.506	.312	47
472681V	V	1.125	2.441	2.445	.375	47	473229	S	1.562	2.502	2.506	.312	47
472705	S	.562	1.000	1.004	.250	47	473230	S	1.625	2.250	2.254	.312	47
472705V	V	.562	1.000	1.004	.250	47	473231	S	1.625	2.374	2.378	.312	47
472747	S	1.875	2.470	2.475	.437	47	473231V	V	1.625	2.374	2.378	.312	47
*472758	S	1.625	2.502	2.506	.250	47	473231A	A	1.625	2.374	2.378	.312	47
*472758N	N	1.625	2.502	2.506	.250	47	473232	S	1.625	2.623	2.627	.312	47
472758V	V	1.625	2.502	2.506	.250	47	473233	S	1.687	2.374	2.378	.312	47
472810	S	.437	.875	.880	.250	47	473234	S	1.687	2.502	2.506	.312	47
472826	S	1.312	2.062	2.066	.312	47	473235	S	1.687	2.623	2.627	.312	47
472843	S	1.375	2.623	2.627	.375	47	473236	S	1.687	2.750	2.754	.312	47
472856	S	2.375	3.350	3.355	.438	47	473237	S	1.750	2.374	2.378	.312	47
*472857H	H	2.000	2.625	2.630	.375	47	473237V	V	1.750	2.374	2.378	.312	47
472878	S	.735	1.248	1.252	.250	47	473238	S	1.875	2.875	2.879	.312	47
*472916	S	2.250	3.189	3.194	.375	47	473238V	V	1.875	2.875	2.879	.312	47
*472920	S	2.250	3.371	3.376	.375	47	473239	S	1.875	3.000	3.005	.312	47
472924	S	2.000	2.875	2.879	.312	47	473240	S	1.875	3.125	3.130	.312	47
472924V	V	2.000	2.875	2.879	.312	47	473241	S	1.937	2.750	2.754	.312	47
*472928	S	2.062	3.189	3.194	.375	47	473242	S	2.000	3.125	3.130	.312	47
*472940	S	2.187	3.189	3.194	.375	47	*473242V	V	2.000	3.125	3.130	.312	47
472950	S	.812	2.441	2.445	.375	47	473243	S	2.125	3.251	3.256	.375	47
472951	S	.937	1.750	1.754	.312	47	473244	S	2.187	2.875	2.879	.375	47
472953	S	1.062	2.835	2.839	.375	47	473245	S	2.187	3.251	3.256	.375	47
472953V	V	1.062	2.835	2.839	.375	47	*473246	S	2.375	3.251	3.256	.375	47
472954	S	1.125	2.835	2.839	.375	47	*473247	S	2.375	3.371	3.376	.375	47
472954V	V	1.125	2.835	2.839	.375	47	*473248	S	2.625	3.371	3.376	.375	47
473010	S	1.625	2.502	2.506	.312	47	473258	S	1.375	2.561	2.565	.375	47
473010V	V	1.625	2.502	2.506	.312	47	473259	S	1.125	2.441	2.445	.250	47
473010A	A	1.625	2.502	2.506	.312	47	*473259V	V	1.125	2.441	2.445	.250	47
473010N	N	1.625	2.502	2.506	.312	47	473274	S	2.500	3.428	3.433	.375	47
473016	S	1.437	2.250	2.254	.312	47	473274N	N	2.500	3.428	3.433	.375	47
*473016N	N	1.437	2.250	2.254	.312	47	*473285V	V	.875	1.750	1.754	.312	47
*473049V★	V	30.00	62.00	62.10	7.00	47	*473304	S	1.375	2.082	2.087	.312	47
		1.181	2.441	2.445	.276		473313	S	1.750	3.061	3.066	.375	47
*473056	S	1.552	2.623	2.627	.500	47	473317	S	1.687	2.328	2.332	.312	47
*473056N	N	1.552	2.623	2.627	.500	47	*473317N	N	1.687	2.328	2.332	.312	47
473096	S	.375	.875	.880	.250	47	473336	S	1.718	2.561	2.565	.500	47
473117	S	1.625	2.328	2.332	.437	47	473367	S	1.625	2.437	2.441	.312	47
*473117N	N	1.625	2.328	2.332	.437	47	473367V	V	1.625	2.437	2.441	.312	47
*473135	S	1.250	1.686	1.691	.250	47	*473378	S	1.062	1.874	1.878	.375	47
473135V	V	1.250	1.686	1.691	.250	47	473380	S	1.000	1.575	1.579	.250	47
473157	S	1.750	2.449	2.453	.312	47	473405	S	.593	1.250	1.254	.312	47
473179	S	1.875	2.758	2.762	.375	47	473406	S	.750	1.828	1.832	.375	47
*473196	S	.750	1.783	1.787	.250	47	473407	S	.750	1.983	1.987	.250	47
473197	S	1.375	2.835	2.839	.312	47	473412	S	.812	1.828	1.832	.375	47
*473197V	V	1.375	2.835	2.839	.312	47	473413	S	.843	1.499	1.503	.250	47
473203	S	1.187	1.752	1.756	.250	47	473414	S	.843	1.624	1.628	.250	47
473204	S	2.125	2.750	2.754	.375	47	473415	S	.843	1.828	1.832	.312	47
*473204N	N	2.125	2.750	2.754	.375	47	473416	S	.737	1.375	1.379	.343	47
473205	S	1.187	2.125	2.129	.250	47	473419	S	1.062	1.828	1.832	.375	47
473210	S	1.312	2.000	2.004	.312	47	473420	S	1.062	2.062	2.066	.375	47
*473210V	V	1.312	2.000	2.004	.312	47	473421	S	1.312	2.106	2.110	.375	47
473211	S	1.312	2.125	2.129	.312	47	473422	S	1.312	1.983	1.987	.375	47
473212	S	1.312	2.250	2.254	.312	47	473423	S	1.312	1.874	1.878	.375	47
473212A	A	1.312	2.250	2.254	.312	47	473424	S	1.281	2.000	2.004	.375	47

NUMERICAL SECTION

For Illustration and Material Data See Technical Section

* The U.S. customer service number is 877-4-TIMKEN. The Canadian customer service numbers are 800-565-4927 (English) and 800-565-0438 (French-Canadian). ★ Metric Seal

Part No.	Lip Mat'l	Shaft Size	Hsg. Bore	Seal O.D.	Seal Width	Type/ Illus.	Part No.	Lip Mat'l	Shaft Size	Hsg. Bore	Seal O.D.	Seal Width	Type/ Illus.
470000 SERIES (cont.)							470000 SERIES (cont.)						
473425	S	1.187	1.828	1.832	.375	47	*474090	S	1.437	2.061	2.066	.312	47
473426	S	1.187	1.983	1.987	.375	47	*474096★	S	51.00	65.00	65.10	7.00	47
473427	S	1.156	2.062	2.066	.375	47			2.008	2.559	2.563	.276	
473428	S	1.156	1.984	1.988	.250	47	*474097★	S	36.00	50.00	50.08	7.00	47
*473428V	V	1.156	1.984	1.988	.250	47			1.417	1.969	1.972	.276	
473435	S	1.343	2.106	2.110	.375	47	*474113★	S	36.00	55.00	55.09	6.50	47
473436	S	1.343	2.125	2.129	.375	47			1.417	2.165	2.169	.256	
473437	S	1.437	2.623	2.627	.375	47	*474119★	S	38.00	58.00	58.11	8.00	47
473438	S	1.468	2.375	2.379	.375	47			1.496	2.283	2.288	.315	
473439	S	1.468	2.437	2.441	.375	47	*474121★	S	36.00	55.00	55.12	9.50	47
									1.417	2.165	2.170	.374	
473440	S	1.500	2.750	2.754	.312	47	*474125N★	N	35.00	64.00	64.14	9.50	47
473441	S	1.562	2.750	2.754	.375	47			1.378	2.520	2.525	.374	
473442	S	1.562	2.875	2.879	.375	47	474127	S	1.417	2.250	2.254	.250	47
473443	S	1.625	2.750	2.754	.375	47	474131	S	.750	1.302	1.306	.250	47
473444	S	1.625	2.875	2.879	.375	47	474133★	S	40.00	74.00	74.12	10.00	47
473444V	V	1.625	2.875	2.879	.375	47			1.575	2.913	2.918	.394	
473445	S	1.687	2.437	2.441	.312	47	474134★	S	50.00	66.50	66.62	9.52	47
*473445V	V	1.687	2.437	2.441	.312	47			1.969	2.618	2.623	.375	
473446	S	1.687	2.875	2.879	.375	47	*474135N★	N	42.00	65.05	65.15	9.50	47
473447	S	1.750	2.758	2.762	.375	47			1.654	2.561	2.565	.374	
							*474137★	S	43.00	62.00	62.10	9.50	47
473448	S	1.750	2.996	3.001	.375	47			1.693	2.441	2.445	.374	
473449	S	1.812	2.750	2.754	.375	47	474161★	S	40.01	65.00	65.13	9.53	47
473450	S	1.812	2.875	2.879	.375	47			1.575	2.559	2.564	.375	
473450V	V	1.812	2.875	2.879	.375	47	*474198	S	2.375	3.350	3.355	.703	47
473451	S	1.843	2.623	2.627	.375	47	474216	S	1.625	2.562	2.565	.375	47
473452	S	1.843	2.750	2.754	.375	47	474230	S	2.875	3.540	3.548	.315	47
473453	S	1.843	2.875	2.879	.375	47	474235	S	.937	1.850	1.854	.312	47
473454	S	1.875	2.502	2.506	.312	47	474241V★➔	V	42.00	58.00	58.17	7.00	47
473455	S	1.875	2.835	2.839	.375	47			1.654	2.283	2.290	.276	
*473456	S	1.875	2.996	3.000	.375	47	*474247	S	1.625	2.750	2.754	.312	47
473457	S	1.875	3.061	3.066	.375	47	474250	S	1.000	1.686	1.690	.250	47
473458	S	1.875	3.189	3.194	.375	47	474252	S	.937	1.752	1.756	.250	47
473459	S	1.937	2.686	2.690	.312	47	474253	S	.812	1.499	1.503	.250	47
473460	S	1.937	2.996	3.001	.375	47	474254	S	1.187	2.437	2.441	.250	47
473461	S	1.937	3.061	3.066	.375	47	474255	S	1.187	2.250	2.254	.250	47
473462	S	1.937	3.189	3.194	.375	47	474256	S	1.187	2.441	2.445	.250	47
473463	S	2.000	3.062	3.066	.375	47	474260	S	1.156	1.686	1.690	.250	47
473464	S	2.000	3.189	3.194	.375	47	474261	S	.687	1.187	1.191	.187	47
473466	S	2.062	2.996	3.001	.375	47	474264	S	1.437	2.437	2.441	.312	47
473467	S	2.125	2.996	3.001	.375	47	474265	S	1.687	2.686	2.691	.312	47
473468	S	2.125	3.061	3.066	.375	47	474269	S	1.937	2.437	2.441	.250	47
*473469	S	2.125	3.350	3.355	.375	47	474272	S	2.000	2.716	2.721	.375	47
473471	S	2.187	3.062	3.066	.375	47	474273	S	.781	1.828	1.833	.250	47
473473	S	2.250	3.061	3.066	.375	47	474274	S	1.625	2.750	2.754	.312	47
473474	S	2.375	3.061	3.066	.375	47	474276	S	1.500	1.983	1.988	.250	47
473475	S	2.375	3.189	3.194	.375	47	474276V	V	1.500	1.983	1.988	.250	47
473476➔	N	2.500	3.150	3.155	.315	47	474277	S	.437	1.124	1.128	.250	47
473490	S	1.562	3.150	3.155	.312	47	474278	S	1.250	1.686	1.691	.250	47
473517	S	1.562	2.125	2.129	.375	47	474279N	N	.375	.836	.841	.187	47
473546	S	.551	1.000	1.004	.312	47	474281	S	1.500	2.758	2.763	.312	47
473551	S	1.250	2.047	2.051	.375	47	474288★	S	36.00	58.00	58.30	8.00	47
*473559	S	1.730	2.875	2.879	.468	47			1.417	2.283	2.295	.315	
473560N★➔	N	42.00	56.00	56.16	7.00	47	475001	S	2.500	3.543	3.548	.500	47
							*475001N	N	2.500	3.543	3.548	.500	47
							*475002	S	2.562	3.623	3.628	.468	47
*473571	S	.750	1.250	1.255	.275	47	*475002N	N	2.562	3.623	3.628	.468	47
473573	S	2.375	3.000	3.005	.375	47	*475003	S	2.625	3.623	3.628	.468	47
473677★	S	40.00	55.00	55.09	8.00	47	475003N	N	2.625	3.623	3.628	.468	47
							*475004	S	2.750	3.751	3.756	.500	47
							*475004H	H	2.750	3.751	3.756	.500	47
473694	S	1.625	2.000	2.004	.250	47	*475004N	N	2.750	3.751	3.756	.500	47
473796	S	1.750	2.565	2.570	.312	47	*475006	S	2.875	3.751	3.756	.500	47
*473810V★	V	50.00	66.00	66.22	8.00	47	*475006N	N	2.875	3.751	3.756	.500	47
							*475007	S	2.625	3.876	3.881	.468	47
							*475009	S	2.750	3.876	3.881	.468	47
473812	S	1.312	2.166	2.170	.375	47	475009N	N	2.750	3.876	3.881	.468	47
473814	S	1.968	2.623	2.627	.312	47	*475011	S	2.875	4.003	4.008	.468	47
473823★	S	35.00	55.00	55.18	8.00	47							
*474007	S	2.187	3.190	3.195	.625	47							
*474069	S	2.125	2.561	2.565	.492	47							

For Illustration and Material Data See Technical Section

➔ Hydrodynamic Lip Design-CW

Numerical List Size & Type

Part No.	Lip Mat'l	Shaft Size	Hsg. Bore	Seal O.D.	Seal Width	Type/ Illus.	Part No.	Lip Mat'l	Shaft Size	Hsg. Bore	Seal O.D.	Seal Width	Type/ Illus.
470000 SERIES (cont.)							470000 SERIES (cont.)						
*475012	S	2.937	4.003	4.008	.468	47	*475156N	N	3.125	4.125	4.130	.562	47
475012N	N	2.937	4.003	4.008	.468	47	*475165	S	3.375	4.499	4.504	.468	47
*475013	S	3.000	4.003	4.008	.468	47	*475173	S	3.500	4.751	4.756	.625	47
*475013N	N	3.000	4.003	4.008	.468	47	*475175	S	3.625	4.751	4.756	.625	47
*475014	S	3.000	4.249	4.254	.625	47	*475177	S	3.750	4.751	4.756	.625	47
*475016	S	3.125	4.249	4.254	.625	47	*475179	S	3.875	4.751	4.756	.625	47
*475018	S	3.250	4.249	4.254	.625	47	*475192	S	4.000	5.251	5.256	.468	47
*475019	S	3.000	4.999	5.004	.468	47	*475192N	N	4.000	5.251	5.256	.468	47
*475021	S	3.125	4.999	5.004	.468	47	*475195	S	4.250	5.251	5.256	.468	47
*475023	S	3.250	4.999	5.004	.468	47	*475195N	N	4.250	5.251	5.256	.468	47
*475025	S	3.375	4.999	5.004	.468	47	*475196	S	4.250	5.375	5.381	.500	47
*475027	S	3.500	4.999	5.004	.468	47	*475198	S	4.375	5.501	5.506	.562	47
*475029	S	3.625	4.999	5.004	.468	47	*475200	S	4.500	5.501	5.506	.562	47
*475031	S	3.750	4.999	5.004	.468	47	*475201	S	4.000	5.999	6.007	.625	47
*475031V	V	3.750	4.999	5.004	.468	47	*475205	S	4.250	5.999	6.007	.625	47
*475033	S	3.875	4.999	5.004	.468	47	*475207	S	4.375	5.999	6.007	.625	47
*475035	S	4.000	4.999	5.004	.468	47	*475209	S	4.500	5.999	6.007	.625	47
*475035H	H	4.000	4.999	5.004	.468	47	*475211	S	4.625	5.999	6.007	.625	47
*475036	S	4.000	5.501	5.506	.562	47	*475213	S	4.750	5.999	6.007	.625	47
*475040	S	4.250	5.501	5.506	.562	47	*475234	S	2.250	3.623	3.628	.468	47
*475041	S	4.000	5.751	5.756	.562	47	475234N	N	2.250	3.623	3.628	.468	47
*475045	S	4.250	5.751	5.756	.562	47	*475245	S	3.125	4.751	4.756	.625	47
*475047	S	4.375	5.751	5.756	.562	47	*475245H	H	3.125	4.751	4.756	.625	47
*475049	S	4.500	5.751	5.756	.562	47	*475252V	V	4.000	5.122	5.131	.378	47
*475053	S	4.750	5.751	5.756	.562	47	*475254	S	2.250	4.003	4.008	.468	47
*475054	S	4.000	6.250	6.256	.562	47	*475259	S	2.250	3.751	3.756	.500	47
*475058	S	4.250	6.250	6.256	.562	47	*475262	S	3.500	5.501	5.506	.562	47
*475060	S	4.375	6.250	6.256	.562	47	*475265	S	3.250	4.751	4.756	.625	47
*475062	S	4.500	6.250	6.256	.562	47	*475271	S	5.000	5.999	6.007	.625	47
*475064	S	4.625	6.250	6.256	.562	47	*475272	S	2.750	4.003	4.008	.468	47
*475066	S	4.750	6.250	6.256	.562	47	*475272N	N	2.750	4.003	4.008	.468	47
*475068	S	4.875	6.250	6.256	.562	47	*475281	S	3.000	3.751	3.756	.500	47
*475070	S	5.000	6.250	6.256	.562	47	*475281N	N	3.000	3.751	3.756	.500	47
*475070N	N	5.000	6.250	6.256	.562	47	*475296	S	2.625	4.003	4.008	.468	47
*475072	S	6.000	7.501	7.508	.562	47	*475303	S	2.875	3.623	3.628	.375	47
*475079	S	2.500	3.751	3.756	.500	47	*475304	S	3.250	4.249	4.254	.500	47
*475080N	N	2.125	3.623	3.628	.468	47	*475304V	V	3.250	4.249	4.254	.500	47
*475082	S	2.500	3.876	3.881	.468	47	*475315	S	2.750	3.623	3.628	.468	47
*475084	S	7.000	8.500	8.509	.750	47	*475319N	N	3.500	5.126	5.131	.625	47
*475085	S	3.312	4.499	4.504	.468	47	*475322	S	2.750	3.543	3.548	.500	47
*475086N	N	3.000	4.249	4.254	.468	47	475322N	N	2.750	3.543	3.548	.500	47
*475088	S	3.000	4.499	4.504	.468	47	*475328	S	3.250	5.251	5.256	.468	47
*475088N	N	3.000	4.499	4.504	.468	47	*475348N	N	2.937	4.249	4.254	.625	47
*475091	S	4.875	5.999	6.007	.625	47	*475350	S	2.187	3.623	3.628	.468	47
*475093	S	2.250	3.500	3.505	.500	47	*475354	S	3.125	4.003	4.008	.468	47
*475095	S	2.375	3.500	3.505	.500	47	*475354H	H	3.125	4.003	4.008	.468	47
475095N	N	2.375	3.500	3.505	.500	47	*475355	S	2.875	3.876	3.881	.468	47
*475096	S	2.437	3.500	3.505	.500	47	*475364	S	2.750	3.500	3.505	.500	47
*475098	S	2.562	3.500	3.505	.500	47	*475368	S	2.625	3.500	3.505	.500	47
*475137	S	3.250	4.499	4.504	.468	47	475368N	N	2.625	3.500	3.505	.500	47
*475137N	N	3.250	4.499	4.504	.468	47	*475369	S	2.500	3.623	3.628	.468	47
*475138	S	4.750	5.750	5.756	.500	47	*475369N	N	2.500	3.623	3.628	.468	47
*475138H	H	4.750	5.750	5.756	.500	47	*475371	S	4.625	5.751	5.756	.562	47
*475139N	N	2.750	4.626	4.631	.625	47	*475379	S	3.750	4.751	4.756	.500	47
*475144	S	2.875	4.499	4.504	.468	47	*475379N	N	3.750	4.751	4.756	.500	47
*475145	S	3.125	4.499	4.504	.468	47	*475380	S	2.375	3.623	3.628	.468	47
*475146	S	3.500	4.499	4.504	.468	47	*475380N	N	2.375	3.623	3.628	.468	47
*475146N	N	3.500	4.499	4.504	.468	47	475384	S	2.812	4.003	4.008	.468	47
*475147	S	2.500	3.500	3.505	.500	47	*475389	S	3.625	4.499	4.504	.468	47
*475147N	N	2.500	3.500	3.505	.500	47	*475389N	N	3.625	4.499	4.504	.468	47
*475148	S	3.875	5.251	5.256	.468	47	*475394	S	3.125	5.251	5.256	.468	47
*475149	S	2.625	3.751	3.756	.500	47	*475396	S	3.500	5.751	5.756	.562	47
*475149N	N	2.625	3.751	3.756	.500	47	*475423	S	3.750	5.501	5.506	.562	47
*475150	S	3.750	5.251	5.256	.468	47	*475436	S	3.625	5.751	5.756	.562	47
*475152	S	2.875	4.125	4.130	.562	47	*475437	S	3.500	4.750	4.756	.500	47
*475154	S	3.000	4.125	4.130	.562	47	*475449	S	2.500	3.500	3.505	.375	47
*475156	S	3.125	4.125	4.130	.562	47	475458	S	2.625	3.623	3.628	.375	47
*475156H	H	3.125	4.125	4.130	.562	47	*475458V	V	2.625	3.623	3.628	.375	47

NUMERICAL SECTION

For Illustration and Material Data See Technical Section

* The U.S. customer service number is 877-4-TIMKEN. The Canadian customer service numbers are 800-565-4927 (English) and 800-565-0438 (French-Canadian).

Part No.	Lip Mat'l	Shaft Size	Hsg. Bore	Seal O.D.	Seal Width	Type/ Illus.	Part No.	Lip Mat'l	Shaft Size	Hsg. Bore	Seal O.D.	Seal Width	Type/ Illus.
470000 SERIES (cont.)							470000 SERIES (cont.)						
*475479	S	3.000	3.876	3.881	.468	47	*476281N	N	2.750	4.125	4.130	.562	47
*475479H	H	3.000	3.876	3.881	.468	47	*476282	S	2.750	4.249	4.254	.468	47
*475479N	N	3.000	3.876	3.881	.468	47	*476283	S	2.750	4.249	4.254	.500	47
*475483	S	2.625	3.500	3.505	.375	47	476283N	N	2.750	4.249	4.254	.500	47
475500	S	3.298	4.125	4.130	.562	47	*476286	S	2.875	4.249	4.254	.625	47
*475559	S	3.500	5.251	5.256	.468	47	*476288	S	3.125	4.249	4.254	.500	47
*475563	S	3.250	4.003	4.008	.468	47	*476294	S	3.375	4.249	4.254	.500	47
*475566	S	3.250	4.125	4.130	.562	47	*476297	S	3.125	4.626	4.631	.437	47
*475568	S	3.125	3.876	3.881	.468	47	*476303	S	3.250	4.626	4.631	.437	47
*475613	S	3.375	4.249	4.254	.625	47	*476319	S	3.375	4.626	4.631	.437	47
*475636	S	2.187	3.500	3.505	.500	47	*476323	S	3.375	4.751	4.756	.625	47
*475638	S	5.500	6.750	6.757	.500	47	*476327	S	3.375	5.251	5.256	.468	47
*475645	S	5.250	6.500	6.507	.562	47	*476328	S	3.500	4.626	4.631	.437	47
*475655	S	2.500	4.003	4.008	.468	47	*476332	S	3.625	4.626	4.631	.437	47
*475659	S	2.125	3.500	3.505	.500	47	*476332H	H	3.625	4.626	4.631	.437	47
*475697	S	3.875	5.125	5.131	.500	47	*476332N	N	3.625	4.626	4.631	.437	47
*475725	S	5.000	5.999	6.007	.500	47	*476335	S	3.625	5.251	5.256	.468	47
*475725N	N	5.000	5.999	6.007	.500	47	*476336	S	3.750	4.626	4.631	.437	47
*475733	S	2.750	3.751	3.756	.437	47	*476339	S	3.750	4.999	5.004	.500	47
*475836	S	3.000	4.003	4.008	.437	47	*476341	S	3.875	4.626	4.631	.437	47
*475836V	V	3.000	4.003	4.008	.437	47	*476345	S	3.875	4.999	5.004	.500	47
475845	S	4.000	4.999	5.004	.375	47	*476365	S	3.437	4.501	4.506	.468	47
*475852	S	3.750	5.751	5.756	.562	47	*476370	S	3.000	4.751	4.756	.625	47
*475894	S	3.375	4.376	4.381	.500	47	*476380	S	4.375	5.500	5.506	.500	47
*475937	S	3.625	4.751	4.756	.500	47	*476389	S	3.625	5.501	5.506	.562	47
*475937H	H	3.625	4.751	4.756	.500	47	*476404	S	3.125	4.003	4.008	.375	47
*475953	S	4.000	4.999	5.004	.500	47	*476404N	N	3.125	4.003	4.008	.375	47
*475953H	H	4.000	4.999	5.004	.500	47	*476414	S	3.500	4.500	4.506	.500	47
*475960	S	2.750	3.876	3.881	.375	47	476424N	N	3.500	4.751	4.756	.375	47
*475984	S	2.750	3.623	3.628	.375	47	476470	S	3.250	4.249	4.254	.375	47
*475984N	N	2.750	3.623	3.628	.375	47	476470V	V	3.250	4.247	4.254	.375	47
*475991N	N	3.500	4.501	4.506	.468	47	*476470N	N	3.250	4.249	4.254	.375	47
*475995	S	3.000	4.003	4.008	.375	47	*476500	S	2.937	3.937	3.942	.500	47
*475995V	V	3.000	4.003	4.008	.375	47	476500N	N	2.937	3.937	3.942	.500	47
*475996H	H	3.375	4.280	4.285	.406	47	476509	S	1.937	3.623	3.628	.468	47
*476011	S	3.125	4.125	4.130	.500	47	476510	S	1.562	3.543	3.548	.375	47
*476011H	H	3.125	4.125	4.130	.500	47	476511	S	2.187	5.118	5.124	.375	47
*476011V	V	3.125	4.125	4.130	.500	47	476512★	S	50,00	110,00	110,13	9,50	47
476023N	N	3.000	3.751	3.756	.375	47			1.969	4.331	4.336	.374	
*476023V	V	3.000	3.751	3.756	.375	47	*476513	S	2.162	3.543	3.548	.375	47
476028	S	3.375	4.249	4.254	.468	47	476514	S	2.556	3.937	3.942	.375	47
*476028N	N	3.375	4.249	4.254	.468	47	*476515	S	2.950	4.527	4.533	.375	47
*476041	S	3.750	4.626	4.632	.500	47	*476516★	S	85,00	130,00	130,15	12,70	47
*476043	S	3.875	5.751	5.756	.562	47			3.346	5.118	5.124	.500	
*476047	S	3.625	4.625	4.631	.500	47	476517	S	3.934	5.905	5.911	.500	47
*476098N	N	3.875	4.686	4.691	.375	47	476518★	S	110,00	170,00	170,18	12,70	47
*476107	S	5.500	6.750	6.757	.575	47			4.331	6.693	6.700	.500	
*476122H	H	4.750	5.999	6.006	.562	47	*476519	S	5.062	7.874	7.881	.500	47
*476124	S	3.687	4.626	4.631	.625	47	476535	S	2.125	3.149	3.154	.375	47
*476125	S	3.625	4.999	5.004	.500	47	*476535N	N	2.125	3.149	3.154	.375	47
*476128	S	3.875	5.501	5.506	.562	47	*476556	S	4.250	5.250	5.256	.500	47
*476130	S	4.000	5.375	5.381	.500	47	476574N	N	2.750	3.937	3.942	.500	47
*476135	S	4.250	5.625	5.631	.500	47	*476591N	N	3.562	4.626	4.631	.562	47
*476149N	N	4.375	5.999	6.007	.500	47	*476621H	H	4.875	6.000	6.006	.562	47
*476153	S	4.500	5.625	5.631	.500	47	*476624	S	3.500	4.376	4.381	.500	47
*476154	S	4.500	5.999	6.007	.500	47	*476624V	V	3.500	4.376	4.381	.500	47
*476158	S	4.625	5.999	6.007	.500	47	*476654N	N	2.937	4.003	4.008	.375	47
*476163	S	4.812	5.999	6.007	.500	47	*476664	S	2.750	3.500	3.505	.375	47
*476173	S	5.125	6.250	6.256	.562	47	*476666	S	5.750	7.001	7.008	.562	47
*476173V	V	5.125	6.250	6.256	.562	47	*476677★	S	40,00	55,00	55,09	8,00	47
*476262	S	11.000	12.500	12.514	1.250	47			1.575	2.165	2.169	.315	
*476262N	N	11.000	12.500	12.514	1.250	47	*476706N	N	2.750	4.003	4.008	.375	47
*476267	S	2.125	3.500	3.505	.375	47	*476801H	H	5.000	6.003	6.009	.500	47
*476268	S	2.187	3.500	3.505	.375	47	*476808	S	2.125	3.937	3.942	.375	47
*476271	S	2.375	3.500	3.505	.375	47	*476816	S	4.000	6.375	6.382	.500	47
*476272	S	2.437	3.623	3.628	.468	47	476820	S	1.750	3.937	3.942	.312	47
*476273	S	2.500	3.623	3.628	.375	47	476838	S	1.125	1.828	1.832	.312	47
476281	S	2.750	4.125	4.130	.562	47	476842	S	5.500	6.250	6.257	.500	47

For Illustration and Material Data See Technical Section

* The U.S. customer service number is 877-4-TIMKEN. The Canadian customer service numbers are 800-565-4927 (English) and 800-565-0438 (French-Canadian). ★ Metric Seal

Numerical List Size & Type

Part No.	Lip Mat'l	Shaft Size	Hsg. Bore	Seal O.D.	Seal Width	Type/ Illus.	Part No.	Lip Mat'l	Shaft Size	Hsg. Bore	Seal O.D.	Seal Width	Type/ Illus.
470000 SERIES (cont.)							480000 SERIES (cont.)						
*476865	S	5.000	6.250	6.256	.500	47	*480014	S	.500	1.250	1.254	.375	48
*476871	S	6.750	7.657	7.750	.500	47	*480016	S	.562	1.250	1.254	.375	48
*476878	S	1.625	3.937	3.942	.375	47	*480016N	N	.562	1.250	1.254	.375	48
*476888	S	4.500	5.500	5.506	.500	47	*480018	S	.625	1.250	1.254	.375	48
*476888V	V	4.500	5.500	5.506	.500	47	*480019	S	.500	1.375	1.379	.406	48
*476891	S	4.250	5.500	5.506	.500	47	*480021	S	.562	1.375	1.379	.406	48
*476892	S	4.500	5.750	5.756	.500	47	*480023	S	.625	1.375	1.379	.406	48
*476921	S	2.875	4.003	4.008	.375	47	*480025	S	.687	1.375	1.379	.406	48
*476985	S	3.875	4.750	4.756	.375	47	*480027	S	.750	1.375	1.379	.406	48
477055	S	3.330	4.125	4.130	.562	47	*480027H	H	.750	1.375	1.379	.406	48
477069	S	2.598	4.000	4.005	.500	47	*480028	S	.750	1.499	1.503	.390	48
*477104	S	1.625	3.543	3.548	.375	47	*480030	S	.812	1.499	1.503	.390	48
477105	S	1.875	4.331	4.336	.500	47	*480032	S	.875	1.499	1.503	.390	48
*477123	S	4.000	6.312	6.318	.500	47	*480033	S	.750	1.828	1.832	.437	48
*477158	S	2.875	3.876	3.881	.375	47	*480035	S	.812	1.828	1.832	.437	48
*477158V	V	2.875	3.876	3.881	.375	47	*480037	S	.875	1.828	1.832	.437	48
477163N	N	3.000	4.501	4.506	.468	47	*480039	S	.937	1.828	1.832	.437	48
*477171	S	3.125	4.375	4.381	.500	47	*480040	S	.968	1.828	1.832	.437	48
*477172	S	3.125	4.500	4.506	.500	47	*480041	S	1.000	1.828	1.832	.437	48
*477181	S	3.250	4.376	4.381	.500	47	*480043	S	1.062	1.828	1.832	.437	48
*477191	S	3.375	4.500	4.506	.500	47	*480045	S	1.125	1.828	1.832	.437	48
*477196	S	3.500	4.625	4.631	.500	47	*480047	S	1.187	1.983	1.987	.437	48
*477205	S	3.750	4.875	4.881	.500	47	*480049	S	1.250	1.983	1.987	.437	48
*477211	S	3.875	4.875	4.881	.500	47	*480052	S	1.187	2.062	2.066	.437	48
*477247	S	4.750	6.001	6.007	.500	47	*480053	S	1.312	2.374	2.378	.500	48
*477254	S	5.500	6.500	6.507	.562	47	480055	S	1.375	2.374	2.378	.500	48
*477262	S	5.250	6.250	6.256	.500	47	*480057	S	1.437	2.374	2.378	.500	48
*477278	S	5.000	6.375	6.381	.500	47	*480058	S	1.468	2.374	2.378	.500	48
*477316	S	2.750	3.751	3.756	.375	47	*480058N	N	1.468	2.374	2.378	.500	48
*477316H	H	2.750	3.751	3.756	.375	47	*480059	S	1.500	2.374	2.378	.500	48
*477340	S	1.500	3.543	3.548	.375	47	*480059N	N	1.500	2.374	2.378	.500	48
*477343	S	2.625	3.751	3.756	.375	47	*480061	S	1.375	2.437	2.441	.468	48
*477344	S	2.875	3.751	3.756	.375	47	*480061N	N	1.375	2.437	2.441	.468	48
*477344V	V	2.875	3.751	3.756	.375	47	*480062	S	1.437	2.437	2.441	.468	48
*477349	S	3.000	3.751	3.756	.437	47	*480063	S	1.500	2.437	2.441	.468	48
*477350	S	3.000	3.876	3.881	.437	47	*480064	S	1.562	2.437	2.441	.468	48
*477351	S	3.000	4.125	4.130	.437	47	*480066	S	1.625	2.437	2.441	.468	48
*477352	S	3.250	4.500	4.506	.500	47	*480067	S	1.500	2.502	2.506	.500	48
*477353	S	3.250	4.626	4.632	.500	47	*480069	S	1.625	2.623	2.627	.500	48
*477354	S	3.375	4.626	4.632	.500	47	*480070	S	1.750	2.623	2.627	.500	48
*477355	S	3.625	4.875	4.881	.500	47	*480070N	N	1.750	2.623	2.627	.500	48
*477356	S	4.000	5.125	5.131	.500	47	*480071	S	1.875	2.623	2.627	.500	48
*477357	S	4.000	5.250	5.256	.500	47	*480071V	V	1.875	2.623	2.627	.500	48
*477358	S	5.250	6.375	6.381	.500	47	*480072	S	1.625	2.686	2.690	.500	48
*477359	S	5.250	6.625	6.632	.562	47	*480073	S	1.656	2.686	2.690	.500	48
*477360	S	5.500	6.625	6.632	.562	47	*480074	S	1.687	2.686	2.690	.500	48
*477361	S	5.500	6.875	6.882	.562	47	*480076	S	1.750	2.686	2.690	.500	48
*477362	S	5.750	6.750	6.757	.575	47	*480076N	N	1.750	2.686	2.690	.500	48
*477363	S	5.750	6.875	6.882	.562	47	*480077	S	1.500	2.758	2.762	.500	48
*477364	S	5.750	7.125	7.132	.562	47	*480078	S	1.625	2.875	2.879	.468	48
*477365	S	6.000	7.125	7.132	.562	47	*480080	S	1.687	2.875	2.879	.468	48
*477366	S	3.875	5.250	5.256	.500	47	*480082	S	1.875	2.875	2.879	.468	48
*477410	S	1.961	3.543	3.548	.375	47	*480083	S	2.000	2.875	2.879	.468	48
*477437	S	3.500	4.500	4.506	.375	47	*480084	S	1.875	2.996	3.001	.500	48
*477439	S	4.500	5.501	5.507	.380	47	*480085	S	2.000	2.996	3.001	.500	48
*477586V	V	2.625	4.376	4.381	.500	47	*480086	S	1.687	3.062	3.066	.500	48
*477599	S	3.500	4.376	4.381	.375	47	*480087	S	1.750	3.061	3.066	.500	48
*477609	S	1.875	3.500	3.505	.500	47	*480088	S	1.750	3.189	3.194	.437	48
*477673V	V	1.968	4.003	4.008	.437	47	*480089	S	1.781	3.189	3.194	.437	48
*477674V★	V	54,99	101,68	101,80	11,10	47	*480090	S	1.812	3.189	3.194	.437	48
		2.165	4.003	4.008	.437								
*477936H★	H	70,00	92,00	92,15	11,90	47	*480092	S	1.875	3.189	3.194	.437	48
		2.756	3.622	3.628	.469		*480094	S	1.937	3.189	3.194	.437	48
							*480095	S	2.000	3.189	3.194	.437	48
							*480096	S	2.062	3.189	3.194	.437	48
							*480097	S	2.125	3.350	3.355	.468	48
							*480098	S	2.187	3.350	3.355	.468	48
*480005	S	.500	1.124	1.128	.375	48	*480099	S	2.250	3.350	3.355	.468	48
*480007	S	.562	1.124	1.128	.375	48	*480101	S	2.375	3.350	3.355	.468	48
*480009	S	.625	1.124	1.128	.375	48							

NUMERICAL SECTION

For Illustration and Material Data See Technical Section

* The U.S. customer service number is 877-4-TIMKEN. The Canadian customer service numbers are 800-565-4927 (English) and 800-565-0438 (French-Canadian). ★ Metric Seal

Part No.	Lip Mat'l	Shaft Size	Hsg. Bore	Seal O.D.	Seal Width	Type/ Illus.	Part No.	Lip Mat'l	Shaft Size	Hsg. Bore	Seal O.D.	Seal Width	Type/ Illus.
480000 SERIES (cont.)							480000 SERIES (cont.)						
*480101H	H	2.375	3.350	3.355	.468	48	*480222	S	.750	1.752	1.756	.437	48
*480101N	N	2.375	3.350	3.355	.468	48	*480224	S	.812	1.752	1.756	.437	48
*480102	S	2.000	3.371	3.376	.468	48	*480226	S	.875	1.752	1.756	.437	48
*480109	S	1.562	2.750	2.754	.500	48	*480228	S	.937	1.752	1.756	.437	48
*480115	S	2.125	2.996	3.001	.500	48	*480230	S	1.000	1.752	1.756	.437	48
*480116	S	1.812	2.875	2.879	.468	48	*480232	S	1.062	1.752	1.756	.437	48
*480117	S	1.875	2.750	2.754	.500	48	*480233	S	1.000	1.874	1.878	.437	48
*480118	S	1.812	2.750	2.754	.500	48	*480235H	H	1.093	1.874	1.878	.437	48
*480119	S	.500	.999	1.003	.375	48	*480235V	V	1.093	1.874	1.878	.437	48
*480120	S	1.000	1.499	1.503	.390	48	*480236	S	1.125	1.874	1.878	.437	48
*480121	S	2.125	3.189	3.194	.437	48	*480241	S	1.125	2.062	2.066	.437	48
*480122	S	1.437	2.623	2.627	.500	48	*480244	S	1.250	2.062	2.066	.437	48
*480127	S	1.062	1.874	1.878	.437	48	*480245	S	1.250	2.125	2.129	.437	48
*480127N	N	1.062	1.874	1.878	.437	48	*480247	S	1.312	2.125	2.129	.437	48
*480129	S	1.312	2.062	2.066	.437	48	*480248	S	1.343	2.125	2.129	.437	48
*480132	S	2.250	3.371	3.376	.468	48	*480261	S	2.062	2.996	3.001	.500	48
*480132N	N	2.250	3.371	3.376	.468	48	*480262	S	1.562	2.623	2.627	.500	48
*480135	S	1.375	2.125	2.129	.437	48	*480265	S	1.687	2.623	2.627	.500	48
*480136	S	1.500	2.250	2.254	.500	48	*480267	S	1.812	2.623	2.627	.500	48
*480137	S	.687	1.124	1.128	.375	48	*480267N	N	1.812	2.623	2.627	.500	48
*480138	S	1.937	2.686	2.690	.500	48	*480268	S	1.843	2.623	2.627	.500	48
*480138H	H	1.937	2.686	2.690	.500	48	*480268N	N	1.843	2.623	2.627	.500	48
*480139	S	2.187	2.996	3.001	.500	48	*480269	S	1.781	2.686	2.690	.500	48
*480140N	N	1.250	1.752	1.756	.437	48	*480270	S	1.812	2.686	2.690	.500	48
*480141	S	.750	1.250	1.254	.375	48	*480272	S	1.875	2.686	2.690	.500	48
*480141H	H	.750	1.250	1.254	.375	48	*480273	S	1.562	2.758	2.762	.500	48
*480143	S	1.562	2.561	2.565	.500	48	*480273N	N	1.562	2.758	2.762	.500	48
*480144	S	1.437	2.502	2.506	.500	48	*480275	S	1.625	2.758	2.762	.500	48
*480144V	V	1.437	2.502	2.506	.500	48	480281	S	1.812	2.758	2.762	.500	48
*480145	S	1.937	2.996	3.001	.500	48	*480283	S	1.875	2.758	2.762	.500	48
*480152	S	1.187	2.125	2.129	.437	48	*480283H	H	1.875	2.758	2.762	.500	48
*480154	S	1.687	2.502	2.506	.500	48	*480286	S	1.625	2.750	2.754	.500	48
*480155	S	1.750	2.758	2.762	.500	48	*480291	S	1.750	2.875	2.879	.468	48
*480157	S	1.000	2.000	2.004	.437	48	*480295	S	1.937	2.875	2.879	.468	48
*480158	S	1.062	2.000	2.004	.437	48	*480298	S	1.875	3.000	3.005	.500	48
*480160	S	1.125	2.000	2.004	.437	48	*480300	S	1.937	3.000	3.005	.500	48
*480161	S	1.156	2.000	2.004	.437	48	*480301	S	2.000	3.000	3.005	.500	48
*480162	S	1.187	2.000	2.004	.437	48	*480301H	H	2.000	3.000	3.005	.500	48
*480163	S	1.250	2.000	2.004	.437	48	*480302	S	2.062	3.000	3.005	.500	48
*480165	S	1.250	2.250	2.254	.500	48	480303	S	2.125	3.000	3.005	.500	48
*480167	S	1.312	2.250	2.254	.500	48	*480303V	V	2.125	3.000	3.005	.500	48
*480169	S	1.375	2.250	2.254	.500	48	*480304	S	1.875	3.061	3.066	.500	48
*480171	S	1.437	2.250	2.254	.500	48	*480306	S	1.937	3.061	3.066	.500	48
*480182	S	1.125	1.983	1.987	.437	48	*480307	S	2.062	3.061	3.066	.500	48
*480183	S	1.750	2.750	2.754	.500	48	*480308	S	2.125	3.061	3.066	.500	48
*480183H	H	1.750	2.750	2.754	.500	48	*480309	S	1.937	3.125	3.130	.500	48
*480184	S	.937	1.499	1.503	.390	48	*480310	S	2.000	3.125	3.130	.500	48
*480185	S	1.562	2.502	2.506	.500	48	*480311	S	2.062	3.125	3.130	.500	48
*480186	S	1.687	2.750	2.754	.500	48	*480312	S	2.125	3.125	3.130	.500	48
*480187	S	1.000	2.062	2.066	.437	48	*480312N	N	2.125	3.125	3.130	.500	48
*480188	S	1.062	1.561	1.565	.375	48	*480313	S	2.062	3.251	3.256	.500	48
*480189	S	1.125	1.752	1.756	.437	48	*480314	S	2.125	3.251	3.256	.500	48
*480189H	H	1.125	1.752	1.756	.437	48	*480315	S	2.187	3.251	3.256	.500	48
*480190	S	1.500	2.561	2.565	.500	48	*480316	S	2.250	3.251	3.256	.500	48
*480193	S	1.812	2.996	3.001	.500	48	*480316N	S	2.250	3.251	3.256	.500	48
*480194	S	1.625	2.502	2.506	.500	48	*480320	S	2.375	3.189	3.194	.437	48
*480202	S	.562	.999	1.003	.375	48	*480326	S	1.500	2.996	3.001	.500	48
*480204	S	.812	1.375	1.379	.406	48	*480328	S	1.187	1.686	1.690	.375	48
*480205	S	.687	1.499	1.503	.390	48	*480329	S	2.625	3.350	3.356	.468	48
*480208	S	.968	1.499	1.503	.390	48	*480329N	N	2.625	3.350	3.356	.468	48
480210	S	1.062	1.499	1.503	.312	48	*480330	S	2.500	3.371	3.376	.468	48
*480210H	H	1.062	1.499	1.503	.312	48	*480331N	N	1.843	2.750	2.754	.500	48
*480211	S	.750	1.624	1.628	.437	48	*480336	S	1.187	2.250	2.254	.500	48
*480213	S	.812	1.624	1.628	.437	48	*480340	S	.750	1.561	1.565	.375	48
*480215	S	.875	1.624	1.628	.437	48	*480342	S	1.062	1.983	1.987	.437	48
*480217	S	.937	1.624	1.628	.437	48	*480343	S	2.062	3.371	3.376	.468	48
*480219	S	1.000	1.624	1.628	.437	48	*480344	S	1.187	1.828	1.832	.437	48
*480221	S	1.062	1.624	1.628	.437	48	*480350	S	2.375	3.371	3.376	.468	48

For Illustration and Material Data See Technical Section

* The U.S. customer service number is 877-4-TIMKEN. The Canadian customer service numbers are 800-565-4927 (English) and 800-565-0438 (French-Canadian).

Numerical List Size & Type

Part No.	Lip Mat'l	Shaft Size	Hsg. Bore	Seal O.D.	Seal Width	Type/ Illus.	Part No.	Lip Mat'l	Shaft Size	Hsg. Bore	Seal O.D.	Seal Width	Type/ Illus.
480000 SERIES (cont.)							480000 SERIES (cont.)						
*480351	S	1.750	2.437	2.441	.468	48	*480522	S	1.375	2.000	2.004	.437	48
*480351H	H	1.750	2.437	2.441	.468	48	*480523	S	1.500	2.875	2.879	.468	48
*480352	S	1.750	2.502	2.506	.500	48	*480524	S	1.875	3.371	3.376	.468	48
*480354	S	2.187	3.189	3.194	.437	48	*480535	S	.625	1.246	1.250	.375	48
*480355	S	.687	1.250	1.254	.375	48	*480536	S	.562	1.246	1.250	.375	48
480356	S	1.250	1.686	1.690	.375	48	*480539	S	1.625	3.000	3.005	.500	48
*480356V	V	1.250	1.686	1.690	.375	48	*480541	S	1.000	1.752	1.756	.375	48
*480358	S	1.625	2.374	2.378	.500	48	*480550	S	1.937	2.562	2.567	.317	48
*480359	S	1.750	2.996	3.001	.500	48	*480552	S	2.375	3.125	3.130	.500	48
*480360	S	2.000	2.686	2.690	.500	48	*480553	S	1.000	1.499	1.503	.312	48
*480361	S	1.750	2.561	2.565	.500	48	*480553H	H	1.000	1.499	1.503	.312	48
*480363	S	1.687	2.502	2.506	.375	48	*480559	S	1.250	2.374	2.378	.500	48
*480365	S	2.125	2.875	2.879	.468	48	*480561	S	1.312	2.000	2.004	.375	48
*480373	S	2.062	2.875	2.879	.468	48	*480565	S	2.375	3.125	3.130	.375	48
*480375	S	1.763	2.412	2.416	.468	48	*480567	S	.875	1.375	1.379	.312	48
*480380	S	1.500	2.374	2.378	.312	48	*480567N	N	.875	1.375	1.379	.312	48
*480381	S	1.125	1.624	1.628	.437	48	*480570	S	1.375	2.000	2.004	.328	48
*480389	S	2.000	2.750	2.754	.500	48	*480571	S	2.000	3.251	3.256	.500	48
*480390	S	.750	1.874	1.878	.250	48	*480574	S	2.375	3.251	3.256	.500	48
*480394	S	1.500	2.125	2.129	.437	48	480574H	H	2.375	3.252	3.256	.500	48
*480403	S	1.375	2.062	2.066	.437	48	480581	S	1.594	2.125	2.129	.250	48
*480403H	H	1.375	2.062	2.066	.437	48	*480590	S	.875	1.752	1.756	.250	48
*480403N	N	1.375	2.062	2.066	.437	48	*480591	S	.812	1.874	1.878	.437	48
*480403V	V	1.375	2.062	2.066	.437	48	*480596	S	1.687	2.835	2.839	.468	48
*480410	S	2.000	2.623	2.627	.500	48	*480601	S	.781	1.250	1.254	.250	48
*480410N	N	2.000	2.623	2.627	.500	48	*480604	S	1.125	2.250	2.254	.500	48
*480415	S	1.625	2.996	3.001	.500	48	*480605	S	2.500	3.371	3.376	.375	48
*480418	S	1.562	2.875	2.879	.468	48	*480610	S	.750	1.874	1.878	.437	48
*480424	S	.875	1.874	1.878	.437	48	*480625	S	1.500	2.250	2.254	.312	48
*480424N	N	.875	1.874	1.878	.437	48	480625V	V	1.500	2.250	2.254	.312	48
*480433	S	2.250	3.125	3.130	.500	48	*480626	S	2.625	3.371	3.376	.468	48
*480436	S	2.000	2.750	2.754	.375	48	*480628	S	1.062	2.062	2.066	.437	48
*480438	S	1.562	2.374	2.378	.500	48	480630	S	1.500	2.062	2.066	.250	48
*480438N	N	1.562	2.374	2.378	.500	48	*480639	S	2.125	2.835	2.839	.468	48
*480441	S	2.250	2.996	3.001	.500	48	*480652	S	1.250	2.000	2.004	.375	48
*480444	S	1.375	2.502	2.506	.500	48	*480673	S	.812	1.375	1.379	.250	48
*480449	S	1.000	1.561	1.565	.375	48	*480680	S	.875	1.499	1.503	.312	48
*480449N	N	1.000	1.561	1.566	.375	48	*480681	S	2.187	3.125	3.130	.500	48
*480451	S	1.500	2.062	2.066	.437	48	*480682	S	1.562	2.623	2.627	.312	48
*480452	S	1.375	2.835	2.839	.468	48	*480683	S	1.250	1.874	1.878	.375	48
*480452H	H	1.375	2.835	2.839	.468	48	*480687	S	1.687	3.125	3.130	.500	48
*480452N	N	1.375	2.835	2.839	.468	48	*480712	S	1.125	1.874	1.878	.250	48
*480453	S	1.437	2.125	2.129	.437	48	*480719	S	1.750	3.000	3.005	.500	48
*480453N	N	1.437	2.125	2.129	.437	48	*480720	S	1.875	3.125	3.130	.500	48
*480455	S	1.937	2.623	2.627	.500	48	*480737	S	2.250	3.189	3.194	.437	48
*480461	S	1.500	2.750	2.754	.500	48	*480746	S	1.437	2.686	2.690	.500	48
*480463	S	1.375	2.750	2.754	.500	48	*480751	S	1.562	2.686	2.690	.500	48
*480479	S	1.687	2.437	2.441	.468	48	*480755	S	1.625	2.250	2.254	.500	48
480479H	H	1.687	2.437	2.441	.468	48	*480774	S	1.375	2.062	2.066	.375	48
*480479V	V	1.687	2.437	2.441	.468	48	*480776	S	1.375	2.686	2.690	.500	48
*480481	S	1.250	2.437	2.441	.468	48	*480791	S	.625	1.124	1.128	.312	48
*480482	S	1.156	1.828	1.832	.437	48	*480806	S	1.250	2.835	2.839	.468	48
*480487	S	1.500	2.686	2.690	.500	48	*480808	S	1.437	2.750	2.754	.500	48
*480489	S	2.187	2.875	2.879	.468	48	*480814	S	1.500	2.441	2.445	.500	48
480491	S	2.750	3.481	3.486	.500	48	480821	S	.750	1.312	1.316	.250	48
*480494	S	1.750	2.502	2.506	.375	48	*480823	S	1.875	2.502	2.506	.500	48
*480494N	N	1.750	2.502	2.506	.375	48	480844	S	1.500	2.222	2.226	.312	48
*480496	S	2.500	3.350	3.355	.468	48	*480867	S	2.125	2.875	2.879	.437	48
*480496N	N	2.500	3.350	3.355	.468	48	*480867N	N	2.125	2.875	2.879	.437	48
*480502	S	1.156	1.686	1.690	.375	48	480889	S	.812	1.312	1.316	.250	48
*480503	S	1.312	2.437	2.441	.468	48	*480889H	H	.812	1.312	1.316	.250	48
*480504	S	1.375	2.623	2.627	.500	48	*480895	S	.750	1.375	1.379	.312	48
*480515	S	.812	1.561	1.565	.375	48	*480898	S	2.125	2.875	2.879	.375	48
*480519	S	2.500	3.251	3.256	.500	48	*480898H	H	2.125	2.875	2.879	.375	48
*480519N	N	2.500	3.251	3.256	.500	48	*480906	S	1.156	1.983	1.987	.375	48
*480519V	V	2.500	3.251	3.256	.500	48	*480929	S	1.750	2.374	2.378	.500	48
*480520	S	2.250	3.000	3.005	.500	48	*480950	S	1.375	2.437	2.441	.375	48
*480521	S	1.312	1.874	1.878	.437	48	*480950N	N	1.375	2.437	2.441	.375	48

NUMERICAL SECTION

For Illustration and Material Data See Technical Section

* The U.S. customer service number is 877-4-TIMKEN. The Canadian customer service numbers are 800-565-4927 (English) and 800-565-0438 (French-Canadian).

Part No.	Lip Mat'l	Shaft Size	Hsg. Bore	Seal O.D.	Seal Width	Type/ Illus.	Part No.	Lip Mat'l	Shaft Size	Hsg. Bore	Seal O.D.	Seal Width	Type/ Illus.
480000 SERIES (cont.)							480000 SERIES (cont.)						
480954	S	.750	1.250	1.254	.250	48	*481264	S	.625	1.250	1.254	.250	48
*480954N	N	.750	1.250	1.254	.250	48	*481267	S	.875	1.375	1.379	.250	48
480954V	V	.750	1.250	1.254	.250	48	*481267H	H	.875	1.375	1.379	.250	48
*480963	S	1.562	2.437	2.441	.500	48	*481267N	N	.875	1.375	1.379	.250	48
*480972	S	2.125	3.371	3.376	.468	48	*481268	S	1.375	2.000	2.004	.375	48
*480975	S	.625	1.499	1.503	.390	48	*481268V	V	1.375	2.000	2.004	.375	48
*480988	S	2.375	3.061	3.066	.500	48	*481271	S	2.500	3.251	3.256	.375	48
480988H	H	2.375	3.061	3.066	.500	48	*481272	S	2.250	3.000	3.005	.375	48
480991	S	1.500	2.062	2.066	.375	48	*481272N	N	2.250	3.000	3.005	.375	48
*481000	S	1.375	2.250	2.254	.375	48	*481276	S	1.375	2.441	2.445	.375	48
*481016	S	1.562	2.125	2.129	.437	48	*481279	S	1.562	2.252	2.256	.375	48
*481016N	N	1.562	2.125	2.129	.437	48	*481279N	N	1.562	2.252	2.256	.375	48
*481019	S	1.750	2.623	2.627	.375	48	*481281	S	.562	1.124	1.128	.250	48
*481024	S	.625	1.624	1.628	.437	48	*481281N	N	.562	1.124	1.128	.250	48
*481047	S	.937	1.497	1.501	.390	48	*481281V	V	.562	1.124	1.128	.250	48
*481067	S	1.750	2.875	2.879	.500	48	*481288	S	1.750	2.374	2.378	.375	48
481073	S	.656	1.375	1.379	.250	48	*481289	S	1.625	2.251	2.256	.375	48
*481076	S	1.031	1.575	1.579	.312	48	*481294	S	.500	1.124	1.128	.312	48
*481078	S	1.875	3.251	3.256	.500	48	*481308	S	1.500	2.374	2.378	.375	48
*481083	S	1.250	1.752	1.756	.375	48	*481315	S	.562	.999	1.003	.250	48
*481083N	N	1.250	1.752	1.756	.375	48	*481315N	N	.562	.999	1.003	.250	48
*481083V	V	1.250	1.752	1.756	.375	48	*481315V	V	.562	.999	1.003	.250	48
*481084	S	1.562	2.250	2.254	.500	48	*481316	S	1.562	2.686	2.690	.375	48
*481091	S	2.000	3.062	3.066	.500	48	*481324	S	.625	1.375	1.379	.312	48
*481091H	H	2.000	3.062	3.066	.500	48	*481336	S	2.250	2.873	2.877	.312	48
*481100	S	1.125	1.624	1.628	.312	48	*481338	S	2.187	3.000	3.005	.500	48
*481105	S	1.375	2.875	2.879	.468	48	*481343	S	1.062	1.575	1.579	.312	48
*481122	S	1.750	2.437	2.441	.375	48	*481344	S	1.500	2.441	2.445	.375	48
*481131	S	1.375	2.374	2.378	.375	48	*481345	S	1.687	2.363	2.367	.437	48
*481133	S	1.125	1.752	1.756	.375	48	*481345H	H	1.687	2.363	2.367	.437	48
*481134	S	1.250	2.062	2.066	.375	48	*481345N	N	1.687	2.363	2.367	.437	48
*481135	S	1.125	2.062	2.066	.375	48	*481354	S	1.187	2.062	2.066	.250	48
*481135H	H	1.125	2.062	2.066	.375	48	*481354N	N	1.187	2.062	2.066	.250	48
*481136	S	1.375	2.248	2.252	.375	48	*481371H★	H	50.00	70.00	70.10	11.00	48
*481137	S	.875	1.828	1.832	.375	48			1.969	2.756	2.760	.433	
*481138	S	2.250	3.125	3.130	.375	48	*481384	S	1.594	2.125	2.129	.281	48
*481138H	H	2.250	3.125	3.130	.375	48	*481384N	N	1.594	2.125	2.129	.281	48
*481138N	N	2.250	3.125	3.130	.375	48	*481384V	V	1.594	2.125	2.129	.281	48
*481139	S	1.875	3.000	3.005	.375	48	*481385	S	.750	1.983	1.987	.437	48
*481139H	H	1.875	3.000	3.005	.375	48	481397	S	.656	1.575	1.579	.250	48
*481150	S	1.625	2.374	2.378	.375	48	*481407	S	1.250	2.441	2.445	.375	48
*481150H	H	1.625	2.374	2.378	.375	48	*481410	S	1.687	2.328	2.332	.437	48
*481150N	N	1.625	2.374	2.378	.375	48	*481413	S	1.250	1.752	1.756	.250	48
481163	S	1.500	2.000	2.004	.312	48	*481413V	V	1.250	1.752	1.756	.250	48
481163V	V	1.500	2.000	2.004	.312	48	*481414	S	3.375	4.376	4.381	.562	48
*481163H	H	1.500	2.000	2.004	.312	48	*481414H	H	3.375	4.376	4.381	.562	48
*481166	S	1.937	2.625	2.629	.375	48	*481419	S	1.625	2.437	2.441	.375	48
481181	S	1.625	2.125	2.129	.250	48	*481419H	H	1.625	2.437	2.441	.375	48
*481181H	H	1.625	2.125	2.129	.250	48	*481424	S	2.000	2.623	2.627	.312	48
481181N	N	1.625	2.125	2.129	.250	48	*481424H	H	2.000	2.623	2.627	.312	48
481191V	V	2.254	2.756	2.763	.340	48	*481428	S	.750	1.752	1.756	.375	48
*481192	S	1.375	2.125	2.129	.312	48	*481436H	H	.656	1.575	1.579	.312	48
*481192H	H	1.375	2.125	2.129	.312	48	*481442	S	.500	.999	1.003	.250	48
*481193N	N	1.301	2.000	2.004	.437	48	*481442N	N	.500	.999	1.003	.250	48
481195	S	1.937	2.502	2.506	.375	48	*481442V	V	.500	.999	1.003	.250	48
*481195N	N	1.937	2.502	2.506	.375	48	481443	S	.781	1.375	1.379	.250	48
*481203N	N	1.250	1.750	1.754	.375	48	481443V	V	.781	1.375	1.379	.250	48
481213	S	1.187	1.687	1.691	.250	48	*481456	S	1.187	1.874	1.878	.437	48
*481224	S	1.000	1.499	1.503	.250	48	*481463	S	1.875	2.835	2.839	.468	48
*481224H	H	1.000	1.499	1.503	.250	48	*481466	S	.625	1.124	1.128	.250	48
481224V	V	1.000	1.499	1.503	.250	48	*481466V	V	.625	1.124	1.128	.250	48
*481234	S	2.250	3.061	3.066	.500	48	*481472	S	.500	1.250	1.254	.250	48
*481239	S	1.000	1.625	1.629	.375	48	*481472N	N	.500	1.250	1.254	.250	48
*481243	S	1.750	2.412	2.416	.468	48	*481475	S	2.625	3.543	3.548	.500	48
*481246	S	1.250	1.874	1.878	.437	48	481481	S	.668	1.187	1.191	.185	48
*481255	S	.625	1.375	1.379	.250	48	*481490	S	.500	1.000	1.004	.250	48
*481255V	V	.625	1.375	1.379	.250	48	*481504	S	1.750	2.437	2.441	.312	48
*481258	S	1.125	1.828	1.832	.375	48	*481504H	H	1.750	2.437	2.441	.312	48

For Illustration and Material Data See Technical Section

* The U.S. customer service number is 877-4-TIMKEN. The Canadian customer service numbers are 800-565-4927 (English) and 800-565-0438 (French-Canadian). ★ Metric Seal

Numerical List Size & Type

Part No.	Lip Mat'l	Shaft Size	Hsg. Bore	Seal O.D.	Seal Width	Type/ Illus.	Part No.	Lip Mat'l	Shaft Size	Hsg. Bore	Seal O.D.	Seal Width	Type/ Illus.
480000 SERIES (cont.)							480000 SERIES (cont.)						
*481507	S	1.500	2.252	2.256	.375	48	*481700	S	.875	1.752	1.756	.312	48
*481507H	H	1.500	2.252	2.256	.375	48	*481702	S	.968	1.752	1.756	.312	48
*481507N	N	1.500	2.252	2.256	.375	48	*481703	S	1.000	1.752	1.756	.312	48
*481507V	V	1.500	2.252	2.256	.375	48	*481706	S	1.125	1.752	1.756	.312	48
*481509	S	2.500	3.250	3.256	.437	48	*481708	S	1.187	1.752	1.756	.312	48
*481509H	H	2.500	3.250	3.256	.437	48	*481709	S	1.250	1.752	1.756	.312	48
*481526	S	.500	1.124	1.128	.250	48	*481718	S	1.062	1.752	1.756	.375	48
*481526N	N	.500	1.124	1.128	.250	48	*481730H	H	.875	1.874	1.878	.250	48
481528	S	.656	1.124	1.128	.250	48	*481733	S	1.000	1.874	1.878	.250	48
*481529	S	.687	1.124	1.128	.250	48	*481736	S	1.156	1.874	1.878	.250	48
*481529N	N	.687	1.124	1.128	.250	48	*481737	S	1.250	1.874	1.878	.250	48
*481534	S	.531	1.250	1.254	.250	48	*481737V	V	1.250	1.874	1.878	.250	48
*481535	S	.562	1.250	1.254	.250	48	*481741	S	.875	1.983	1.987	.250	48
481537	S	.656	1.250	1.254	.250	48	*481748N	N	1.156	1.983	1.987	.250	48
481538	S	.687	1.250	1.254	.250	48	*481750	S	1.250	1.983	1.987	.250	48
*481538V	V	.687	1.250	1.254	.250	48	*481760	S	1.000	2.000	2.004	.250	48
*481539	S	.812	1.250	1.254	.250	48	*481763	S	1.125	2.000	2.004	.250	48
*481551	S	.562	1.375	1.379	.250	48	*481765	S	1.187	2.000	2.004	.250	48
*481551H	H	.562	1.375	1.379	.250	48	*481766	S	1.250	2.000	2.004	.250	48
*481552	S	.593	1.375	1.379	.250	48	*481770	S	1.000	2.000	2.004	.375	48
*481553	S	.687	1.375	1.379	.250	48	*481772	S	1.062	2.000	2.004	.375	48
*481554	S	.750	1.375	1.379	.250	48	481773	S	1.156	2.000	2.004	.375	48
*481554N	N	.750	1.375	1.379	.250	48	*481787	S	1.250	2.062	2.066	.250	48
*481554V	V	.750	1.375	1.379	.250	48	*481787N	N	1.250	2.062	2.066	.250	48
*481564	S	.625	1.499	1.503	.250	48	481792	S	1.125	2.125	2.129	.250	48
*481567	S	.750	1.499	1.503	.250	48	*481792N	N	1.125	2.125	2.129	.250	48
481568	S	.781	1.499	1.503	.250	48	*481795	S	1.250	2.125	2.129	.250	48
*481570	S	.875	1.499	1.503	.250	48	*481801	S	1.250	2.252	2.256	.375	48
*481570V	V	.875	1.499	1.503	.250	48	*481801N	N	1.250	2.252	2.256	.375	48
*481571	S	.937	1.499	1.503	.250	48	*481808	S	1.250	2.374	2.378	.375	48
481571V	V	.937	1.499	1.503	.250	48	*481809	S	1.437	2.374	2.378	.375	48
*481572	S	.968	1.499	1.503	.250	48	*481810	S	1.562	2.374	2.378	.375	48
*481572V	V	.968	1.499	1.503	.250	48	*481812	S	1.687	2.374	2.378	.375	48
*481577	S	.625	1.499	1.503	.312	48	*481818	S	1.250	2.437	2.441	.375	48
*481579	S	.687	1.499	1.503	.312	48	*481821	S	1.562	2.437	2.441	.375	48
*481580	S	.750	1.499	1.503	.312	48	481826	S	1.437	2.441	2.445	.375	48
*481582	S	.937	1.499	1.504	.312	48	*481833	S	1.250	2.502	2.506	.375	48
*481583	S	.968	1.499	1.503	.312	48	481834	S	1.312	2.502	2.506	.375	48
*481592	S	.656	1.561	1.565	.250	48	*481835	S	1.375	2.502	2.506	.375	48
*481612	S	.625	1.575	1.579	.312	48	481837	S	1.500	2.502	2.506	.375	48
*481633	S	.875	1.577	1.581	.250	48	*481838	S	1.593	2.502	2.506	.375	48
*481643	S	.750	1.624	1.628	.250	48	*481839	S	1.625	2.502	2.506	.375	48
481644	S	.781	1.624	1.628	.250	48	*481839N	N	1.625	2.502	2.506	.375	48
*481646	S	.875	1.624	1.628	.250	48	*481847	S	1.375	2.561	2.565	.500	48
*481647	S	.937	1.624	1.628	.250	48	*481857	S	1.500	2.623	2.627	.500	48
*481648	S	.968	1.624	1.628	.250	48	481859	S	1.250	2.686	2.690	.375	48
*481649	S	1.000	1.624	1.628	.250	48	481864	S	1.625	2.686	2.690	.375	48
*481649N	N	1.000	1.624	1.628	.250	48	*481864H	H	1.625	2.686	2.690	.375	48
481650	S	1.031	1.624	1.628	.250	48	*481887H	H	2.437	3.125	3.130	.375	48
*481651	S	1.062	1.624	1.628	.250	48	*481901	S	1.312	2.750	2.754	.500	48
*481652	S	1.125	1.624	1.628	.250	48	*481936	S	1.875	2.875	2.879	.437	48
*481652N	N	1.125	1.624	1.628	.250	48	*481944	S	2.000	2.875	2.879	.437	48
481652V	V	1.125	1.624	1.628	.250	48	*481952	S	2.187	2.835	2.839	.468	48
*481656	S	.750	1.624	1.628	.312	48	*481953	S	2.187	2.875	2.879	.437	48
*481656V	V	.750	1.624	1.628	.312	48	*481958	S	1.500	3.000	3.005	.375	48
*481659	S	.875	1.624	1.628	.312	48	*481982	S	1.687	3.125	3.130	.375	48
*481662	S	1.000	1.624	1.628	.312	48	*481984	S	1.750	3.000	3.005	.375	48
*481662H	H	1.000	1.624	1.628	.312	48	*481984N	N	1.750	3.000	3.005	.375	48
*481674	S	.875	1.689	1.690	.250	48	481992	S	1.812	3.125	3.130	.375	48
*481677	S	1.062	1.689	1.693	.250	48	*482005	S	1.875	3.125	3.130	.375	48
*481678	S	1.125	1.689	1.693	.250	48	*482009	S	2.000	3.000	3.005	.375	48
*481682	S	.656	1.752	1.756	.250	48	*482010	S	2.000	3.125	3.130	.375	48
*481684	S	.750	1.752	1.756	.250	48	*482012	S	2.062	3.000	3.005	.375	48
*481688	S	.968	1.752	1.756	.250	48	*482015	S	2.125	3.000	3.005	.375	48
*481688N	N	.968	1.752	1.756	.250	48	*482015H	H	2.125	3.000	3.005	.375	48
*481689	S	1.000	1.752	1.756	.250	48	*482015N	N	2.125	3.000	3.005	.375	48
*481689N	N	1.000	1.752	1.756	.250	48	*482015V	V	2.125	3.000	3.005	.375	48
*481692	S	1.125	1.752	1.756	.250	48	*482016	S	2.125	3.125	3.130	.375	48

NUMERICAL SECTION

For Illustration and Material Data See Technical Section

* The U.S. customer service number is 877-4-TIMKEN. The Canadian customer service numbers are 800-565-4927 (English) and 800-565-0438 (French-Canadian).

Part No.	Lip Mat'l	Shaft Size	Hsg. Bore	Seal O.D.	Seal Width	Type/ Illus.	Part No.	Lip Mat'l	Shaft Size	Hsg. Bore	Seal O.D.	Seal Width	Type/ Illus.
480000 SERIES (cont.)							480000 SERIES (cont.)						
*482017	S	2.187	2.996	3.001	.437	48	*482605N	N	1.593	2.502	2.506	.281	48
*482018	S	2.187	3.000	3.005	.375	48	*482612	S	2.125	2.875	2.879	.500	48
*482019	S	2.187	3.062	3.066	.500	48	*482629	S	1.687	2.875	2.879	.500	48
*482020	S	2.187	3.125	3.130	.375	48	*482636	S	2.250	3.251	3.256	.375	48
*482029	S	2.500	3.189	3.194	.375	48	*482674	S	1.125	1.983	1.987	.375	48
*482035	S	2.187	3.371	3.376	.468	48	*482695N	S	1.812	2.624	2.629	.500	48
*482041	S	1.875	2.502	2.506	.375	48	*482758	S	1.625	2.502	2.506	.250	48
482041N	N	1.875	2.502	2.506	.375	48	*482810	S	.437	.875	.880	.250	48
*482042	S	1.593	2.437	2.441	.500	48	*482916	S	2.250	3.189	3.194	.375	48
482069N	N	.860	1.437	1.441	.250	48	*482920	S	2.250	3.371	3.376	.375	48
*482089	S	.781	1.850	1.854	.312	48	*482924	S	2.000	2.875	2.879	.312	48
*482090	S	.968	1.850	1.854	.312	48	*483010	S	1.625	2.502	2.506	.312	48
482126	S	1.750	2.328	2.332	.437	48	*483010N	N	1.625	2.502	2.506	.312	48
*482144	S	1.937	2.875	2.879	.312	48	*483011N	N	.875	1.573	1.577	.250	48
*482157N	N	4.250	5.251	5.256	.375	48	*483022	S	1.375	2.125	2.130	.375	48
482163	S	1.375	1.983	1.987	.312	48	*483027V	V	.984	1.749	1.753	.375	48
482163N	N	1.375	1.983	1.987	.312	48	483054N	N	1.175	1.828	1.832	.312	48
*482164	S	1.750	2.502	2.506	.312	48	*483054V	V	1.175	1.828	1.832	.312	48
482164N	N	1.750	2.502	2.506	.312	48	*483197N	N	1.375	2.835	2.839	.312	48
*482167	S	1.375	2.250	2.254	.325	48	*483203	S	1.187	1.752	1.756	.250	48
*482170	S	1.625	2.875	2.879	.500	48	*483205	S	1.187	2.125	2.129	.250	48
*482179	S	1.750	2.750	2.754	.312	48	*483214	S	1.375	2.250	2.254	.312	48
*482185	S	1.750	2.623	2.627	.312	48	*483215	S	1.375	2.374	2.378	.312	48
482208	S	1.125	1.624	1.628	.245	48	*483215V	V	1.375	2.374	2.378	.312	48
*482213	S	1.562	2.250	2.254	.312	48	*483227	S	1.500	2.125	2.129	.312	48
482230N	N	1.250	2.126	2.130	.375	48	*483228	S	1.500	2.502	2.506	.312	48
*482246	S	1.750	2.374	2.378	.437	48	*483229	S	1.562	2.502	2.506	.312	48
482253	S	1.593	2.502	2.506	.250	48	*483230	S	1.625	2.250	2.254	.312	48
*482253N	N	1.593	2.502	2.506	.250	48	483230V	V	1.625	2.250	2.254	.312	48
*482258	S	1.375	2.000	2.004	.312	48	*483231	S	1.625	2.374	2.378	.312	48
482258V	V	1.375	2.000	2.004	.312	48	*483232	S	1.625	2.623	2.627	.312	48
482267	S	1.750	3.153	3.159	.312	48	*483237	S	1.750	2.374	2.378	.312	48
*482299	S	1.562	2.374	2.378	.312	48	*483238	S	1.875	2.875	2.879	.312	48
*482299N	N	1.562	2.374	2.378	.312	48	483238V	V	1.875	2.875	2.879	.312	48
482309	S	.968	1.850	1.854	.375	48	*483239	S	1.875	3.000	3.005	.312	48
482310	S	.968	2.048	2.052	.375	48	*483240	S	1.875	3.125	3.130	.312	48
*482319	S	1.937	2.623	2.627	.312	48	*483241	S	1.937	2.750	2.754	.312	48
*482336	S	1.000	1.828	1.832	.375	48	*483242	S	2.000	3.125	3.130	.312	48
*482350	S	1.187	2.165	2.169	.250	48	*483243	S	2.125	3.251	3.256	.375	48
*482371	S	.906	1.625	1.629	.312	48	*483244	S	2.187	2.875	2.879	.375	48
*482394	S	1.937	3.000	3.005	.312	48	*483245	S	2.187	3.251	3.256	.375	48
*482397	S	2.000	3.000	3.005	.312	48	*483246	S	2.375	3.251	3.256	.375	48
*482401	S	1.625	2.437	2.441	.500	48	483246N	N	2.375	3.251	3.256	.375	48
*482401V	V	1.625	2.437	2.441	.500	48	*483247	S	2.375	3.371	3.376	.375	48
482415★	S	38.00	52.27	52.40	6.35	48	*483248	S	2.625	3.371	3.376	.375	48
		1.496	2.058	2.063	.250		483323V	V	2.250	3.000	3.005	.438	48
*482422	S	1.437	2.062	2.066	.375	48	*483326	S	1.730	2.834	2.838	.468	48
*482435	S	2.172	3.345	3.350	.500	48	483367V	V	1.625	2.437	2.441	.312	48
*482439	S	1.875	2.623	2.627	.312	48	483459H	H	1.937	2.686	2.690	.312	48
*482454	S	1.093	1.625	1.628	.312	48	483488	S	1.175	1.771	1.775	.275	48
*482457H	H	1.156	1.874	1.878	.437	48	*483503	S	1.750	2.500	2.504	.375	48
*482475	S	1.187	1.874	1.878	.250	48	*483525V	V	1.618	2.124	2.128	.250	48
*482485	S	2.000	2.686	2.690	.375	48	*483562	S	1.375	1.983	1.987	.375	48
*482492	S	2.000	2.750	2.754	.312	48	*483562N	N	1.375	1.983	1.987	.375	48
*482513H	H	2.156	2.875	2.879	.375	48	*483565	S	1.750	2.497	2.501	.500	48
*482522	S	1.000	1.874	1.878	.375	48	*483602	S	1.730	2.834	2.838	.375	48
*482523	S	1.125	1.874	1.878	.375	48	*483643	S	1.494	1.875	1.879	.187	48
*482554N	N	1.500	1.983	1.987	.437	48	*483738V★	V	50.00	68.00	68.15	8.00	48
*482572	S	1.875	2.750	2.754	.312	48		1.969	2.677	2.683	.315		
*482576	S	1.375	2.125	2.129	.375	48	483793	S	1.343	2.441	2.445	.375	48
482576N	N	1.375	2.125	2.129	.375	48	*483801	S	1.875	2.441	2.445	.325	48
*482582	S	.968	1.750	1.754	.375	48	*483815	S	2.125	3.350	3.356	1.250	48
*482583★	S	25.00	47.00	47.10	9.50	48	484054	S	1.326	2.061	2.065	.375	48
		.984	1.850	1.854	.374		484058	S	1.322	2.227	2.231	.375	48
*482584	S	1.062	1.828	1.832	.375	48	*484063★	S	35.00	52.00	52.10	7.90	48
*482584V	V	1.062	1.828	1.832	.375	48		1.378	2.047	2.051	.311		
*482585	S	1.187	2.062	2.066	.375	48	484064V	V	2.062	2.561	2.565	.313	48
*482591	S	1.500	2.328	2.332	.437	48	*484103	S	1.734	2.835	2.839	.312	48

For Illustration and Material Data See Technical Section

► Hydrodynamic Lip Design-CW

Numerical List Size & Type

Part No.	Lip Mat'l	Shaft Size	Hsg. Bore	Seal O.D.	Seal Width	Type/ Illus.	Part No.	Lip Mat'l	Shaft Size	Hsg. Bore	Seal O.D.	Seal Width	Type/ Illus.
480000 SERIES (cont.)							480000 SERIES (cont.)						
484114	S	.625	1.625	1.629	.250	48	*485152	S	2.875	4.125	4.130	.562	48
*484132	S	1.040	1.811	1.815	.280	48	*485154	S	3.000	4.125	4.130	.562	48
484156V	V	1.375	1.874	1.879	.240	48	*485156	S	3.125	4.125	4.130	.562	48
*484178	S	1.312	2.062	2.066	.375	48	*485160	S	3.125	4.376	4.381	.625	48
*484206	S	1.618	2.000	2.004	.235	48	*485162	S	3.250	4.376	4.381	.625	48
*484211	S	1.000	2.000	2.004	.500	48	*485165	S	3.375	4.499	4.504	.468	48
*484236V★	V	45.00	61.00	61.16	9.00	48	*485173	S	3.500	4.751	4.756	.625	48
		1.772	2.402	2.408	.354		*485175	S	3.625	4.751	4.756	.625	48
*484247	S	1.875	2.560	2.565	.468	48	*485177	S	3.750	4.751	4.756	.625	48
*485001	S	2.500	3.543	3.548	.500	48	*485179	S	3.875	4.751	4.756	.625	48
*485002	S	2.562	3.623	3.628	.468	48							
485003	S	2.625	3.623	3.628	.468	48	*485179N	N	3.875	4.751	4.756	.625	48
*485003V	V	2.625	3.623	3.628	.468	48	*485192	S	4.000	5.251	5.256	.468	48
*485004	S	2.750	3.751	3.756	.500	48	*485194H	H	4.187	5.250	5.256	.468	48
*485006	S	2.875	3.751	3.756	.500	48	*485195	S	4.250	5.251	5.256	.468	48
*485007	S	2.625	3.876	3.881	.468	48	485195H	H	4.250	5.251	5.256	.468	48
*485009	S	2.750	3.876	3.881	.468	48	*485196	S	4.250	5.376	5.381	.500	48
*485011	S	2.875	4.003	4.008	.468	48	*485197H	H	4.312	5.501	5.506	.562	48
*485011N	N	2.875	4.003	4.008	.468	48	*485198	S	4.375	5.501	5.506	.562	48
*485013	S	3.000	4.003	4.008	.468	48	*485200	S	4.500	5.501	5.506	.562	48
*485014	S	3.000	4.249	4.254	.625	48	*485201	S	4.000	5.999	6.007	.625	48
*485016	S	3.125	4.249	4.254	.625	48	*485205	S	4.250	5.999	6.007	.625	48
*485018	S	3.250	4.249	4.254	.625	48	*485207	S	4.375	5.999	6.007	.625	48
*485019	S	3.000	4.999	5.004	.468	48	*485209	S	4.500	5.999	6.007	.625	48
*485021	S	3.125	4.999	5.004	.468	48	*485211	S	4.625	5.999	6.007	.625	48
*485023	S	3.250	4.999	5.004	.468	48	*485213	S	4.750	5.999	6.007	.625	48
*485025	S	3.375	4.999	5.004	.468	48	*485234	S	2.250	3.623	3.628	.468	48
*485027	S	3.500	4.999	5.004	.468	48	*485245	S	3.125	4.751	4.756	.625	48
*485027N	N	3.500	4.999	5.004	.468	48	*485259	S	2.250	3.751	3.756	.500	48
*485029	S	3.625	4.999	5.004	.468	48	*485260	S	2.062	3.623	3.628	.468	48
*485031	S	3.750	4.999	5.004	.468	48	*485262	S	3.500	5.501	5.506	.562	48
*485033	S	3.875	4.999	5.004	.468	48	*485265	S	3.250	4.751	4.756	.625	48
*485033V	V	3.875	4.999	5.004	.468	48	*485271	S	5.000	5.999	6.007	.625	48
*485035	S	4.000	4.999	5.004	.468	48	*485272	S	2.750	4.003	4.008	.468	48
*485035N	N	4.000	4.999	5.004	.468	48	*485281	S	3.000	3.751	3.756	.500	48
*485036	S	4.000	5.501	5.506	.562	48	*485296	S	2.625	4.003	4.008	.468	48
*485040	S	4.250	5.501	5.506	.562	48	*485303	S	2.875	3.623	3.628	.375	48
*485041	S	4.000	5.751	5.756	.562	48	*485303N	N	2.875	3.623	3.628	.375	48
*485045	S	4.250	5.751	5.756	.562	48	*485304	S	3.250	4.249	4.254	.500	48
*485047	S	4.375	5.751	5.756	.562	48	*485315	S	2.750	3.623	3.628	.468	48
*485049	S	4.500	5.751	5.756	.562	48	*485322	S	2.750	3.543	3.548	.500	48
*485053	S	4.750	5.751	5.756	.562	48	*485328	S	3.250	5.251	5.256	.468	48
*485054	S	4.000	6.250	6.256	.562	48	*485350	S	2.187	3.623	3.628	.468	48
*485058	S	4.250	6.250	6.256	.562	48	*485354	S	3.125	4.003	4.008	.468	48
*485060	S	4.375	6.250	6.256	.562	48	*485355	S	2.875	3.876	3.881	.468	48
*485062	S	4.500	6.250	6.256	.562	48	*485364	S	2.750	3.500	3.505	.500	48
*485064	S	4.625	6.250	6.256	.562	48	*485364H	H	2.750	3.500	3.505	.500	48
*485066	S	4.750	6.250	6.256	.562	48	485364N	N	2.750	3.500	3.505	.500	48
*485068	S	4.875	6.250	6.256	.562	48	*485368	S	2.625	3.500	3.505	.500	48
*485070	S	5.000	6.250	6.256	.562	48	*485369	S	2.500	3.623	3.628	.468	48
*485072	S	6.000	7.501	7.508	.562	48	*485371	S	4.625	5.751	5.756	.562	48
*485079	S	2.500	3.751	3.756	.500	48	*485379	S	3.750	4.751	4.756	.500	48
*485082	S	2.500	3.876	3.881	.468	48	*485379N	N	3.750	4.751	4.756	.500	48
*485088	S	3.000	4.499	4.504	.468	48	*485389	S	3.625	4.499	4.504	.468	48
*485091	S	4.875	5.999	6.007	.625	48	*485394	S	3.125	5.251	5.256	.468	48
*485093	S	2.250	3.500	3.505	.500	48	*485396	S	3.500	5.751	5.756	.562	48
*485095	S	2.375	3.500	3.505	.500	48	*485423	S	3.750	5.501	5.506	.562	48
*485137	S	3.250	4.499	4.504	.468	48	*485436	S	3.625	5.751	5.756	.562	48
*485138	S	4.750	5.750	5.756	.500	48	*485437	S	3.500	4.750	4.756	.500	48
*485138V	V	4.750	5.751	5.756	.500	48	*485449	S	2.500	3.500	3.505	.375	48
*485144	S	2.875	4.499	4.504	.468	48	*485458	S	2.625	3.623	3.628	.375	48
*485145	S	3.125	4.499	4.504	.468	48	*485479	S	3.000	3.876	3.881	.468	48
*485146	S	3.500	4.499	4.504	.468	48	*485483	S	2.625	3.500	3.505	.375	48
*485147	S	2.500	3.500	3.505	.500	48	485497	S	3.625	4.874	4.879	.585	48
*485148	S	3.875	5.251	5.256	.468	48	*485498	S	3.562	4.499	4.504	.468	48
*485149	S	2.625	3.751	3.756	.500	48	*485500N	N	3.298	4.125	4.130	.562	48
*485150	S	3.750	5.251	5.256	.468	48	*485559	S	3.500	5.251	5.256	.468	48
*485151	S	2.687	3.751	3.756	.500	48	*485566	S	3.250	4.125	4.130	.562	48
							*485613	S	3.375	4.249	4.254	.625	48

NUMERICAL SECTION

For Illustration and Material Data See Technical Section

* The U.S. customer service number is 877-4-TIMKEN. The Canadian customer service numbers are 800-565-4927 (English) and 800-565-0438 (French-Canadian). ★ Metric Seal

Part No.	Lip Mat'l	Shaft Size	Hsg. Bore	Seal O.D.	Seal Width	Type/Illus.	Part No.	Lip Mat'l	Shaft Size	Hsg. Bore	Seal O.D.	Seal Width	Type/Illus.
480000 SERIES (cont.)							480000 SERIES (cont.)						
*485636	S	2.187	3.500	3.505	.500	48	*486865	S	5.000	6.250	6.256	.500	48
*485645	S	5.250	6.500	6.507	.562	48	*486888	S	4.500	5.500	5.506	.500	48
*485655	S	2.500	4.003	4.008	.468	48	*486888H	H	4.500	5.500	5.506	.500	48
*485659	S	2.125	3.500	3.505	.500	48	*486891	S	4.250	5.500	5.506	.500	48
*485697	S	3.875	5.125	5.131	.500	48	*486892	S	4.500	5.750	5.756	.500	48
*485725	S	5.000	6.001	6.007	.500	48	*486893	S	3.062	4.003	4.008	.468	48
*485725H	H	5.000	5.999	6.007	.500	48	*486921	S	2.875	4.003	4.008	.375	48
*485725N	N	5.000	5.999	6.007	.500	48	*486923V	V	3.750	4.750	4.756	.375	48
*485836	S	3.000	4.003	4.008	.437	48	*486985	S	3.875	4.750	4.756	.375	48
*485852	S	3.750	5.751	5.756	.562	48	*486985V	V	3.875	4.750	4.756	.375	48
*485869N	N	5.500	7.248	7.255	.656	48	*487034V	V	3.125	4.003	4.008	.500	48
*485894	S	3.375	4.376	4.381	.500	48	*487056	S	3.250	6.374	6.380	.468	48
*485937	S	3.625	4.751	4.756	.500	48	*487063V	V	4.875	5.750	5.756	.500	48
*485953	S	4.000	4.999	5.004	.500	48	*487082	S	2.625	4.003	4.008	.375	48
*485960	S	2.750	3.876	3.881	.375	48	*487119	S	3.000	4.125	4.130	.438	48
*485984	S	2.750	3.623	3.628	.375	48	*487158	S	2.875	3.876	3.881	.375	48
*485991N	N	3.500	4.501	4.506	.468	48	*487162	S	3.000	4.500	4.506	.500	48
*485996N	N	3.375	4.280	4.285	.406	48	*487171	S	3.125	4.375	4.381	.500	48
*486011	S	3.125	4.125	4.130	.500	48	*487172	S	3.125	4.500	4.506	.500	48
*486023	S	3.000	3.751	3.756	.375	48	*487181	S	3.250	4.376	4.381	.500	48
*486023N	N	3.000	3.751	3.756	.375	48	*487191	S	3.375	4.500	4.506	.500	48
*486041	S	3.750	4.626	4.632	.500	48	*487196	S	3.500	4.625	4.631	.500	48
*486043	S	3.875	5.751	5.756	.562	48	*487205	S	3.750	4.875	4.881	.500	48
*486047	S	3.625	4.625	4.631	.500	48	*487211	S	3.875	4.875	4.881	.500	48
*486107	S	5.500	6.750	6.757	.575	48	*487247	S	4.750	6.001	6.007	.500	48
*486125	S	3.625	4.999	5.004	.500	48	*487250V	V	4.750	6.000	6.006	.500	48
*486128	S	3.875	5.501	5.506	.562	48	*487254	S	5.500	6.500	6.507	.562	48
*486130	S	4.000	5.375	5.381	.500	48	*487262	S	5.250	6.250	6.256	.500	48
*486135	S	4.250	5.625	5.631	.500	48	*487278	S	5.000	6.375	6.381	.500	48
*486153	S	4.500	5.625	5.631	.500	48	*487316	S	2.750	3.751	3.756	.375	48
*486167	S	4.875	5.999	6.007	.500	48	*487319	S	3.375	4.250	4.255	.280	48
*486167H	H	4.875	5.999	6.007	.500	48	*487343	S	2.625	3.751	3.756	.375	48
*486267	S	2.125	3.501	3.505	.375	48	*487344	S	2.875	3.751	3.756	.375	48
*486268	S	2.187	3.500	3.505	.375	48	*487344V	V	2.875	3.751	3.756	.375	48
*486271	S	2.375	3.500	3.505	.375	48	*487349	S	3.000	3.751	3.756	.437	48
*486273	S	2.500	3.623	3.628	.375	48	*487350	S	3.000	3.876	3.881	.437	48
*486281N	N	2.750	4.125	4.130	.562	48	*487351	S	3.000	4.125	4.130	.437	48
*486281V	V	2.750	4.125	4.130	.562	48	*487352	S	3.250	4.500	4.506	.500	48
*486286	S	2.875	4.249	4.254	.625	48	*487353	S	3.250	4.626	4.632	.500	48
*486287	S	3.125	4.249	4.254	.468	48	*487354	S	3.375	4.626	4.632	.500	48
*486288	S	3.125	4.249	4.254	.500	48	*487355	S	3.625	4.875	4.881	.500	48
*486294	S	3.375	4.249	4.254	.500	48	*487356	S	4.000	5.125	5.131	.500	48
*486303	S	3.250	4.626	4.631	.437	48	*487357	S	4.000	5.250	5.256	.500	48
*486319	S	3.375	4.626	4.631	.437	48	*487358	S	5.250	6.375	6.381	.500	48
*486319V	V	3.375	4.626	4.631	.437	48	*487359	S	5.250	6.625	6.632	.562	48
*486323	S	3.375	4.751	4.756	.625	48	*487360	S	5.500	6.625	6.632	.562	48
*486327	S	3.375	5.251	5.256	.468	48	*487361	S	5.500	6.875	6.882	.562	48
*486328	S	3.500	4.626	4.631	.437	48	*487362	S	5.750	6.750	6.757	.575	48
*486332	S	3.625	4.626	4.631	.437	48	*487363	S	5.750	6.875	6.882	.562	48
*486332N	N	3.625	4.626	4.631	.437	48	*487364	S	5.750	7.125	7.132	.562	48
*486335	S	3.625	5.251	5.256	.468	48	*487365	S	6.000	7.125	7.132	.562	48
*486336	S	3.750	4.626	4.631	.437	48	*487366	S	3.875	5.250	5.256	.500	48
*486339	S	3.750	4.999	5.004	.500	48	*487384N	N	2.750	4.375	4.380	.625	48
*486345	S	3.875	4.999	5.004	.500	48	*487397N	N	3.625	4.624	4.630	.500	48
*486370	S	3.000	4.751	4.756	.625	48	487397V➔	V	3.625	4.624	4.630	.500	48
*486380	S	4.375	5.500	5.506	.500	48	*487658	S	2.634	3.937	3.942	.375	48
*486414	S	3.500	4.500	4.506	.500	48	*487678N	N	2.750	4.125	4.130	.437	48
*486517	S	3.937	5.905	5.911	.500	48	*487806	S	4.687	6.001	6.007	.280	48
*486544N	N	3.750	4.751	4.756	.375	48	487945	S	2.000	3.623	3.628	.375	48
*486556	S	4.250	5.250	5.256	.500	48	*488020V	V	2.875	3.740	3.746	.551	48
486567	S	3.375	4.370	4.375	.250	48	490000 SERIES						
*486624	S	3.500	4.376	4.381	.500	48	*492486	S	2.375	3.266	3.270	.495	49
*486642	S	8.750	10.250	10.260	.688	48	*492521N	N	1.500	2.000	2.005	.250	49
*486642H	H	8.750	10.250	10.260	.688	48	*492702	S	2.000	2.623	2.627	.250	49
*486664	S	2.750	3.500	3.505	.375	48	493291★	S	57.99	80.14	80.24	9.53	49
*486666	S	5.750	7.001	7.008	.562	48			2.283	3.155	3.159	.375	
*486701	V	6.125	7.125	7.131	.500	48	493524	S	2.000	2.846	2.850	.375	49
486857	S	2.648	3.812	3.817	.500	48	493637	S	2.330	2.997	3.001	.312	49

For Illustration and Material Data See Technical Section

➔ Hydrodynamic Lip Design-CW

Numerical List Size & Type

Part No.	Lip Mat'l	Shaft Size	Hsg. Bore	Seal O.D.	Seal Width	Type/ Illus.	Part No.	Lip Mat'l	Shaft Size	Hsg. Bore	Seal O.D.	Seal Width	Type/ Illus.
490000 SERIES (cont.)							710000 SERIES (cont.)						
*493759★	S	48,00	65,00	65,10	7,00	49	710056★◀	V	91,00	111,00	111,20	10,00	47
		1.890	2.559	2.563	.276				3.583	4.370	4.378	.394	
494117★	S	42,00	56,00	56,28	7,00	49	710057★	S	36,00	65,00	65,20	8,00	48
		1.654	2.205	2.216	.276				1.417	2.559	2.567	.315	
494122★	S	45,00	62,00	62,10	6,00	49	710058	S	1.937	2.562	2.566	.317	48
		1.772	2.441	2.445	.236		710059	S	1.000	1.322	1.328	.210	48
494123★	S	51,00	63,00	63,12	6,00	49	710060★◀	H	95,00	118,00	118,16	8,50	32
		2.008	2.480	2.485	.236				3.740	4.646	4.652	.335	
*498040	S	3.750	5.000	5.009	.370	49	710061◀	H	4.000	4.921	4.932	.512	32
580000 SERIES							710062	S	1.750	2.374	2.378	.484	#
*580387★➡	S	32,00	47,00	47,20	8,00	32	*710063	S	1.625	2.440	2.444	.500	#
		1.260	1.850	1.858	.315		*710064★	S	52,00	68,00	68,09	12,09	#
*580388★➡	S	34,00	48,00	48,20	7,00	32			2.047	2.677	2.681	.476	
		1.339	1.890	1.898	.276		710065★	S	30,00	65,00	65,23	34,00	#
									1.181	2.559	2.568	1.339	
600000 SERIES							*710066&	S	1.400	2.478	2.486	.521	83
*600305★◀	T	95,00	115,00	115,32	12,12	#	710067◀➡	S	1.703	3.030	3.039	.500	69
		3.740	4.528	4.540	.477		710068	S	1.190	2.122	2.128	.350	#
*600319◀	V	6.107	6.750	6.757	.675	41	710069&	S	2.201	2.830	2.836	.450	#
							710070★	S	33,00	44,00	44,18	7,00	47
710000 SERIES									1.299	1.732	1.739	.276	
710005	S	1.750	3.062	3.066	.485	86	710071★	S	50,00	94,00	94,28	24,00	#
710006➡	N	2.375	4.500	4.504	1.060	74			1.969	3.701	3.712	.945	
710007	S	2.000	3.370	-	1.020	#	710072★	S	57,00	79,00	79,28	13,50	#
710008&	N	3.000	5.751	5.756	.840	74			2.244	3.110	3.121	.531	
710009	U	3.000	4.000	4.012	.600	#	710073★	S	54,00	75,18	75,48	17,00	#
710010	U	2.750	3.750	3.754	.500	#			2.126	2.960	2.972	.669	
710011	U	3.000	4.000	4.008	.500	#	710074★	S	57,00	79,00	79,28	14,98	#
710012	U	1.500	2.250	2.254	.375	#			2.244	3.110	3.121	.590	
710013	U	1.750	2.437	2.441	.375	#	710075◀	V	2.832	3.625	3.635	.374	32
710014	U	1.250	1.750	1.756	.250	#							
710015	U	3.500	4.500	4.504	.500	#	710076	S	1.350	1.620	1.625	.355	#
710016	U	3.250	4.250	4.255	.500	#	710077	S	3.375	3.948	3.955	.375	32
710017	U	2.000	2.687	2.690	.375	#	710078★	V	45,00	62,00	62,15	8,00	47
710018	U	2.500	3.250	3.255	.375	#			1.772	2.441	2.447	.315	
710019	U	1.875	2.875	2.886	.625	#	710080	S	3.125	4.450	4.456	.880	#
710020	U	1.500	2.250	-	.500	#	710081	S	1.937	3.930	3.935	.320	#
*710021	N	2.125	3.063	3.068	.370	7S	710084★	S	120,00	140,00	140,21	10,50	47
710022	H	4.000	4.999	5.004	.468	45			4.724	5.512	5.520	.413	
710023	U	1.500	2.000	-	.250	#	710085★	S	95,00	132,00	132,26	12,00	#
710024	U	1.750	2.250	-	.250	#			3.740	5.197	5.207	.472	
710025	U	2.000	2.500	-	.250	#	710086★	S	56,00	122,00	122,25	8,00	#
710026	U	2.250	2.750	-	.250	#			2.205	4.803	4.813	.315	
710027	U	2.500	3.000	-	.313	#	710087★	S	75,00	112,00	112,17	10,00	45
710028	U	3.000	3.500	-	.313	#			2.953	4.409	4.416	.394	
710029	U	3.500	4.000	-	.313	#	710088	S	3.330	5.045	5.050	.800	#
710030	U	3.500	4.125	-	.313	#	710089★	S	118,00	173,00	173,80	28,00	#
710031	U	4.000	4.750	4.760	.313	#			4.646	6.811	6.843	1.102	
710032	U	5.000	5.750	-	.313	#	710090	S	3.040	6.412	6.418	.658	#
*710033	U	2.500	3.000	-	.313	#	710091&	S	2.700	3.499	3.504	.462	272
710034	U	2.500	3.000	-	.375	#	710092★	S	66,00	85,00	85,12	10,00	41
									2.598	3.346	3.351	.394	
710035	U	3.750	4.375	-	.312	#	710093★	S	60,00	75,00	86,00	11,80	#
710036	U	4.000	4.625	4.634	.312	#			2.362	2.953	3.386	.465	
*710037	U	4.750	5.375	-	.312	#	710094★	S	65,00	82,00	82,09	8,00	66
710038	U	2.750	3.250	-	.312	#			2.559	3.228	3.232	.315	
710039	U	2.735	3.415	-	.188	#	710095	S	1.775	-	1.970	.365	#
710040	U	2.000	2.500	-	.375	#	710096★◀➡	N	35,00	56,90	57,05	19,41	74
710041	U	2.250	2.750	-	.375	#			1.378	2.240	2.246	.764	
710042	U	2.485	3.165	-	.188	#	710097★	S	42,00	56,00	56,21	6,00	#
710043	S	1.301	2.620	2.625	.315	#			1.654	2.205	2.213	.236	
710044	S	1.500	1.875	-	.188	#	710098★	S	50,00	64,10	64,19	6,50	71
									1.969	2.524	2.527	.256	
710045	S	2.250	-	2.840	.500	VRS1	710101◀➡	S	1.250	2.398	2.402	.228	#
710046➡	S	1.552	2.447	2.452	.500	86	710102	S	1.650	2.410	2.414	.361	#
*710050★	S	40,00	75,00	75,30	12,00	32	710103	S	3.142	3.733	3.736	.565	#
		1.575	2.953	2.965	.472		710105◀➡	S	1.705	3.080	3.084	.461	#
710051★&	S	35,00	48,00	48,28	15,00	86	710106	S	3.133	3.547	3.551	.366	#
		1.378	1.890	1.901	.591		710107★%	S	52,00	77,00	78,00	9,00	#
710053	S	1.047	1.811	1.815	.285	48			2.047	3.031	3.071	.354	

NUMERICAL SECTION

For Illustration and Material Data See Technical Section

Designed For A Specific Application - Not Recommended For General Use ➡ Hydrodynamic Lip Design-CW ◀ Hydrodynamic Lip Design-CCW

◀➡ Hydrodynamic Lip Design-Bidirectional % External Bore & Flanged O.D.

* The U.S. customer service number is 877-4-TIMKEN. The Canadian customer service numbers are 800-565-4927 (English) and 800-565-0438 (French-Canadian). ★ Metric Seal

Part No.	Lip Mat'l	Shaft Size	Hsg. Bore	Seal O.D.	Seal Width	Type/Illus.	Part No.	Lip Mat'l	Shaft Size	Hsg. Bore	Seal O.D.	Seal Width	Type/Illus.
710000 SERIES (cont.)							710000 SERIES (cont.)						
710108★	S	56,00	76,00	76,12	12,30	66	710143★	S	47,00	84,00	84,20	11,00	#
		2.205	2.992	2.997	.484				1.850	3.307	3.315	.433	
710109★↔	N	34,00	63,00	63,09	9,00	40	710144★◀	S	58,00	78,00	78,20	10,00	#
		1.339	2.480	2.484	.354				2.283	3.071	3.079	.394	
710110★↔	N	34,00	54,00	54,25	9,00	40	710146★	S	56,00	76,00	76,15	11,50	72
		1.339	2.126	2.136	.354				2.205	2.992	2.998	.453	
710111★◀	N	35,00	50,00	50,28	11,50	#	710147★	S	40,00	60,00	60,20	8,00	#
		1.378	1.969	1.980	.453				1.575	2.362	2.370	.315	
710112★↔	N	50,00	80,00	80,30	16,00	#	710148★	S	49,00	72,20	72,50	8,00	97
		1.969	3.150	3.161	.630				1.929	2.843	2.854	.315	
710113★	S	40,00	75,00	75,30	12,00	#	710149★	S	37,00	52,00	52,15	6,00	#
		1.575	2.953	2.965	.472				1.457	2.047	2.053	.236	
710114★→	N	41,00	59,00	59,10	10,00	98	710150★	S	47,00	80,00	80,20	12,70	#
		1.614	2.323	2.327	.394				1.850	3.150	3.157	.500	
710115★↔	S	44,00	80,00	80,12	8,00	98	710151★	S	34,00	65,00	65,10	12,00	47
		1.732	3.150	3.154	.315				1.339	2.559	2.563	.472	
710116★	N	14,00	25,00	25,20	7,00	32	710152★	S	36,00	64,00	64,20	11,00	#
		.551	.984	.992	.276				1.417	2.520	2.528	.433	
710117★	N	50,00	86,00	86,30	13,00	#	710153★	S	26,00	44,00	44,20	8,00	#
		1.969	3.386	3.398	.512				1.024	1.732	1.740	.315	
710118★	S	39,00	59,00	59,30	11,00	40	710154★	S	19,00	38,00	38,20	7,00	32
		1.535	2.323	2.335	.433				.748	1.496	1.504	.276	
710119★	N	28,00	43,00	43,23	8,00	32	710155★	S	23,00	34,00	34,23	6,50	35
		1.102	1.693	1.702	.315				.905	1.339	1.348	.256	
710120★	N	39,00	50,00	50,29	11,00	#	710156★	S	18,00	32,00	32,10	7,00	#
		1.535	1.969	1.980	.433				.709	1.260	1.264	.276	
710121★	N	59,00	100,00	100,28	10,00	#	710157★→	S	28,00	43,00	43,23	7,00	32
		2.323	3.937	3.948	.394				1.102	1.693	1.702	.276	
710122★	N	39,00	57,00	57,20	21,50	40	710158★	S	39,00	55,00	55,11	7,50	40
		1.535	2.244	2.252	.846				1.535	2.165	2.170	.295	
710123★	N	39,00	57,00	57,20	17,00	40	710159★	S	43,00	58,47	58,62	7,50	#
		1.535	2.244	2.252	.669				1.693	2.302	2.308	.295	
710124★	N	33,00	59,00	59,20	17,00	#	710160★	S	45,00	66,00	66,24	7,50	#
		1.299	2.323	2.331	.669				1.772	2.598	2.608	.295	
710125★	S	56,00	74,00	74,20	8,00	#	710161★	S	46,00	68,50	68,70	7,50	#
		2.205	2.913	2.921	.315				1.811	2.697	2.705	.295	
710126★	S	46,00	69,40	69,60	11,00	#	710162	V	1.937	2.750	2.754	.313	48
		1.811	2.732	2.740	.433		710163	S	.000	.000	.000	.000	#
710127★	S	55,00	68,00	68,20	8,00	#	710164★	V	32,00	50,00	50,14	8,00	48
		2.165	2.677	2.685	.315				1.260	1.969	1.974	.315	
710128★	S	46,00	69,40	69,60	10,00	#	710165★	S	38,00	68,00	68,20	8,00	#
		1.811	2.732	2.740	.394				1.496	2.677	2.685	.315	
710129★	S	57,00	77,00	77,20	8,00	#	710166	S	1.399	2.290	2.294	.500	74
		2.244	3.031	3.039	.315		710167★	S	48,00	64,00	64,20	14,00	#
710130★	S	64,00	77,00	77,20	8,00	#			1.890	2.520	2.528	.551	
		2.520	3.031	3.039	.315		710168★	S	59,00	75,00	75,11	10,00	47
710131★	S	40,00	62,00	62,20	9,00	#			2.323	2.953	2.957	.394	
		1.575	2.441	2.449	.354		710169★	S	56,00	67,00	67,20	6,00	#
710132★	N	33,00	56,00	56,23	8,00	#			2.205	2.638	2.646	.236	
		1.299	2.008	2.214	.315		710170★	S	61,00	88,00	88,00	7,00	#
710133★	N	42,00	90,00	90,09	9,00	#			2.402	3.465	3.465	.276	
		1.654	3.543	3.547	.354		710171	N	2.200	2.804	-	.300	#
710134★	S	40,00	65,00	65,20	20,00	#	710172★	V	31,00	42,00	42,20	8,00	35
		1.575	2.559	2.567	.787				1.220	1.654	1.661	.315	
710135★	S	50,00	70,00	70,20	14,00	#	710173★	N	50,00	70,00	70,20	10,00	#
		1.969	2.756	2.764	.551				1.969	2.756	2.764	.394	
710136★	S	58,00	75,00	75,20	7,00	#	710174	S	2.748	3.881	3.885	.464	47
		2.283	2.953	2.961	.276		710175★	S	53,00	68,20	68,48	7,00	32
710137★	S	50,00	74,00	74,20	9,00	#			2.087	2.685	2.696	.276	
		1.969	2.913	2.921	.354		710176★	S	56,00	74,00	74,14	8,50	87
710138★↔	S	35,00	63,00	63,20	9,00	40			2.205	2.913	2.919	.335	
		1.378	2.480	2.488	.354		710178★	S	35,00	49,00	49,30	8,00	#
710139★	N	38,00	58,00	58,20	10,00	#			1.378	1.929	1.941	.315	
		1.496	2.283	2.291	.394		710179★→	S	42,00	64,80	65,00	13,50	32
710140★	S	40,50	58,00	58,23	8,00	32			1.654	2.551	2.555	.531	
		1.594	2.283	2.293	.315		710180◀	V	3.250	3.879	3.881	.375	47
710141★◀	N	41,00	61,00	61,20	10,00	#	710181	S	1.125	1.630	1.634	.313	#
		1.614	2.402	2.409	.394		710182★	S	60,00	86,00	86,10	7,00	66
710142★	S	43,00	70,00	70,20	9,00	#			2.362	3.386	3.390	.276	
		1.693	2.756	2.764	.354								

For Illustration and Material Data See Technical Section

Designed For A Specific Application - Not Recommended For General Use ▶ Hydrodynamic Lip Design-CW ◀ Hydrodynamic Lip Design-CCW

Numerical List Size & Type

Part No.	Lip Mat'l	Shaft Size	Hsg. Bore	Seal O.D.	Seal Width	Type/Illus.	Part No.	Lip Mat'l	Shaft Size	Hsg. Bore	Seal O.D.	Seal Width	Type/Illus.
710000 SERIES (cont.)							710200 SERIES (cont.)						
710183★	S	58,00	76,00	76,10	6,50	66	710224★	S	38,00	62,00	62,10	6,00	49
		2.283	2.992	2.996	.256				1.496	2.441	2.445	.236	
710186★	S	42,00	56,30	56,44	8,00	#	710225★	S	57,00	80,00	80,10	8,00	#
		1.654	2.216	2.222	.315				2.244	3.150	3.154	.315	
710187★➡	N	52,00	70,00	70,27	8,50	32	710226★	S	50,00	65,30	65,53	8,00	32
		2.047	2.756	2.766	.335				1.969	2.571	2.580	.315	
710188★◀	V	88,00	106,00	106,28	8,50	32	710227★	S	40,00	62,00	62,30	6,50	#
		3.465	4.173	4.184	.335				1.575	2.441	2.453	.256	
710189★◀	V	89,00	105,00	105,20	10,00	47	710228★	S	37,00	62,00	62,23	10,00	40
		3.504	4.134	4.142	.394				1.457	2.441	2.450	.394	
710190★	V	52,00	68,00	68,15	8,00	32	710229★	S	59,00	78,30	78,55	8,00	40
		2.047	2.677	2.683	.315				2.323	3.083	3.093	.315	
710191★	S	47,00	64,00	64,08	7,00	25	710230★	S	58,00	76,00	76,23	7,80	#
		1.850	2.520	2.523	.276				2.283	2.992	3.001	.307	
710192★	S	50,00	60,00	60,25	6,00	32	710231★	S	59,00	78,30	78,55	8,00	32
		1.969	2.362	2.372	.236				2.323	3.083	3.093	.315	
710193★	S	45,00	59,00	59,28	7,50	32	710232★◀	V	86,00	104,00	104,23	11,00	32
		1.772	2.323	2.334	.295				3.386	4.094	4.104	.433	
710194★	S	50,00	68,00	68,27	7,00	32	710233★➡	N	38,50	53,00	53,23	8,00	32
		1.969	2.677	2.688	.276				1.516	2.087	2.096	.315	
710195★	S	42,00	76,00	76,28	12,00	40	710234★◀	N	68,00	84,00	84,23	8,50	32
		1.654	2.992	3.003	.472				2.677	3.307	3.316	.335	
710196★	V	40,00	62,00	62,27	10,00	32	710235★◀	V	86,00	103,00	103,23	10,00	32
		1.575	2.441	2.452	.394				3.386	4.055	4.064	.394	
710197★	N	36,00	54,00	54,28	7,00	40	710236★➡	N	33,00	49,00	49,23	8,00	32
		1.417	2.126	2.137	.276				1.299	1.929	1.938	.315	
710198	S	1.565	2.372	2.382	.394	#	710237★◀	V	90,00	104,00	104,10	11,00	32
710199★◀➡	N	35,00	54,00	54,10	9,00	#			3.543	4.094	4.098	.433	
		1.378	2.126	2.130	.354		710238★➡	S	46,00	70,00	70,10	8,00	32
									1.811	2.756	2.760	.315	
710200 SERIES							710239★	N	54,00	69,00	69,23	7,00	40
710201★	S	35,00	60,00	60,30	12,00	47			2.126	2.717	2.726	.276	
		1.378	2.362	2.374	.472		710240★%	S	75,00	83,00	87,00	4,00	#
710202	S	1.628	2.122	2.126	.343	#			2.953	3.268	3.425	.157	
710203★	S	54,00	81,99	82,17	8,00	66	710241	S	1.628	2.278	2.282	.343	68
		2.126	3.228	3.235	.315		710242★➡	N	52,00	72,00	72,28	8,00	32
710204	S	1.625	2.282	2.286	.313	48			2.047	2.835	2.846	.315	
710205★◀	V	96,00	117,00	117,28	12,00	32	710243★	S	16,00	26,00	26,10	7,00	25
		3.780	4.606	4.617	.472				.630	1.024	1.028	.276	
710207★	S	42,00	72,00	72,28	10,00	40	710244★	S	42,00	56,50	56,70	8,00	#
		1.654	2.835	2.846	.394				1.654	2.224	2.232	.315	
710208★	S	44,00	92,00	92,28	12,50	#	710245★➡	N	42,00	76,00	76,10	14,00	#
		1.732	3.622	3.633	.492				1.654	2.992	2.996	.551	
710209★	N	38,00	62,00	62,24	13,00	#	710246★	N	42,00	90,00	90,28	12,00	#
		1.496	2.441	2.450	.512				1.654	3.543	3.554	.472	
710210	V	2.375	3.251	3.256	.625	74	710247	N	1.503	1.937	1.950	.475	#
710211➡	N	1.875	2.677	2.681	.375	74	710248★➡	N	45,00	78,00	78,10	11,00	66
									1.772	3.071	3.075	.433	
710213★	S	62,00	78,00	78,10	7,00	281	710249★	S	20,00	26,00	26,20	4,00	97
		2.441	3.071	3.075	.276				.787	1.024	1.031	.157	
710214★	N	39,00	59,00	59,28	11,00	40	710250★	N	34,50	71,00	71,10	42,00	#
		1.535	2.323	2.334	.433				1.358	2.795	2.799	1.654	
710215★	S	47,00	66,00	66,10	11,00	66	710251★	N	17,00	34,00	34,10	7,90	47
		1.850	2.598	2.602	.433				.669	1.339	1.343	.311	
710216★	S	28,00	42,50	42,72	8,00	35	710252★	S	36,00	44,00	44,23	5,00	32
		1.102	1.673	1.682	.315				1.417	1.732	1.741	.197	
710217★	S	35,00	54,00	54,10	8,00	#	710253★%	S	52,00	62,00	63,00	5,50	#
		1.378	2.126	2.130	.315				2.047	2.441	2.480	.217	
710218★	V	35,00	56,00	56,10	16,00	#	710254★	S	23,00	31,80	32,00	5,50	34
		1.378	2.205	2.209	.630				.905	1.252	1.260	.217	
710219★◀	N	90,00	108,00	108,23	10,00	32	710255★	S	48,00	70,00	70,20	9,00	#
		3.543	4.252	4.261	.394				1.890	2.756	2.764	.354	
710220★➡	N	41,00	62,00	62,23	9,00	32	710256★	S	64,00	76,00	76,20	7,00	#
		1.614	2.441	2.450	.354				2.520	2.992	3.000	.276	
710221★	N	42,00	56,00	56,10	14,00	#	710258★◀	V	115,00	135,00	135,20	10,00	32
		1.654	2.205	2.209	.551				4.528	5.315	5.323	.394	
710222★	S	18,00	26,00	26,10	4,00	98	710259★◀➡	V	37,00	56,00	56,20	12,50	32
		.709	1.024	1.028	.157				1.457	2.205	2.213	.492	
710223★	S	44,00	66,00	66,10	6,00	#	710260★◀	S	45,00	61,00	61,20	8,00	32
		1.732	2.598	2.602	.236				1.811	2.756	2.764	.315	

NUMERICAL SECTION

For Illustration and Material Data See Technical Section

Designed For A Specific Application - Not Recommended For General Use ➡ Hydrodynamic Lip Design-CW ◀ Hydrodynamic Lip Design-CCW

◀➡ Hydrodynamic Lip Design-Bidirectional % External Bore ★ Metric Seal

Part No.	Lip Mat'l	Shaft Size	Hsg. Bore	Seal O.D.	Seal Width	Type/Illus.	Part No.	Lip Mat'l	Shaft Size	Hsg. Bore	Seal O.D.	Seal Width	Type/Illus.
710200 SERIES (cont.)							710200 SERIES (cont.)						
710261★➔	V	16,00	56,00	56,20	6,50	32	710299★	N	17,50	27,50	27,70	7,00	#
		.630	2.205	2.213	.256				.689	1.083	1.091	.276	
710262★◄	V	96,00	116,00	116,26	9,00	32	710300 SERIES						
		3.780	4.567	4.577	.354		710300★	S	40,00	56,00	56,20	9,00	#
710263➔	V	2,000	2.623	2.627	.256	47			1.575	2.205	2.213	.354	
710264★➔	H	43,00	55,00	55,20	8,00	32	710301★	S	42,00	62,00	62,20	7,00	97
		1.693	2.165	2.173	.236				1.654	2.441	2.449	.276	
710265★	N	51,00	66,00	66,20	6,50	35	710302	S	.000	1.654	1.661	.315	#
		2.008	2.598	2.606	.256		710303★	S	25,50	38,50	38,70	8,50	35
710266★	S	93,00	154,00	154,10	8,00	#			1.004	1.516	1.524	.335	
		3.661	6.063	6.067	.315		710304	S	1.479	2.563	2.567	.470	#
710267★	S	30,00	54,00	54,20	9,00	32	710305★&	S	49,00	70,00	70,10	12,50	#
		1.181	2.126	2.134	.354				1.929	2.756	2.760	.492	
710268★◄	N	58,00	103,00	103,20	11,00	40	710306★◄	S	32,00	52,00	52,20	10,00	32
		2.283	4.055	4.063	.433				1.260	2.047	2.055	.394	
710270★	N	45,00	72,00	72,20	12,00	32	710307★◄	N	25,00	40,00	40,20	7,00	32
		1.772	2.835	2.843	.472				.984	1.575	1.583	.276	
710271★◄	S	58,00	74,00	74,20	10,00	32	710308★➔	S	40,00	52,00	52,20	6,00	32
		2.283	2.913	2.921	.394				1.575	2.047	2.055	.236	
710272★	N	18,70	35,00	35,20	7,00	32	710309★	S	38,00	52,00	52,20	6,00	#
		.736	1.378	1.386	.276				1.496	2.047	2.055	.236	
710273★	S	19,00	35,00	35,23	10,00	35	710310★➔	N	32,00	47,00	47,20	6,00	32
		.748	1.378	1.387	.394				1.260	1.850	1.858	.236	
710274	V	.610	1.102	1.106	.600	#	710311★	S	40,00	54,00	54,10	8,00	25
710275★◄	N	68,00	124,00	124,10	12,00	40			1.575	2.126	2.130	.315	
		2.677	4.882	4.886	.472		710312★	S	52,00	68,00	68,20	13,00	32
710276★◄➔	N	60,00	103,00	103,10	12,00	40			2.047	2.677	2.685	.512	
		2.362	4.055	4.059	.472		710313★➔	S	48,00	70,00	70,20	12,00	32
710277★	N	64,00	132,00	132,10	13,00	#			1.890	2.756	2.764	.472	
		2.520	5.197	5.201	.512		710314★◄	N	35,00	56,00	56,20	8,00	40
710278★	N	100,00	145,00	145,10	26,00	#			1.378	2.205	2.213	.315	
		3.937	5.709	5.713	1.024		710315★➔	S	35,00	56,00	56,20	8,00	40
710279★	V	55,00	70,00	70,20	8,00	32			1.378	2.205	2.213	.315	
		2.165	2.756	2.764	.315		710316★➔	S	25,00	40,00	40,20	8,00	32
*710280★	V	20,00	35,00	35,20	7,00	32			.984	1.575	1.583	.315	
		.787	1.378	1.386	.276		710317★◄	S	32,00	48,00	48,20	10,00	32
710281	S	1.940	2.900	2.910	.400	74			1.260	1.890	1.898	.394	
710282★	S	32,00	42,00	42,20	8,00	32	710318★➔	N	38,50	58,00	58,20	8,50	32
		1.260	1.654	1.661	.315				1.516	2.283	2.291	.335	
710283★	N	44,00	90,00	90,10	9,00	#	710319★	S	38,00	58,00	58,10	11,00	47
		1.732	3.543	3.547	.354				1.496	2.283	2.287	.433	
710284★	N	40,00	73,00	73,10	10,00	#	710320★	S	47,00	62,00	62,10	9,00	48
		1.575	2.874	2.878	.394				1.850	2.441	2.445	.354	
710285	S	1.125	1.630	1.634	.313	#	710321★	S	45,00	62,00	62,10	9,00	47
710286★◄➔	N	42,00	67,00	67,20	10,00	32			1.772	2.441	2.445	.354	
		1.654	2.638	2.646	.394		710322★	S	48,00	62,00	62,20	6,00	34
710287★◄➔	N	40,00	54,00	54,20	10,00	32			1.890	2.441	2.449	.236	
		1.575	2.126	2.134	.394		710323★	S	51,00	63,00	63,20	8,50	49
710288★◄	S	93,00	114,00	114,20	14,00	32			2.008	2.480	2.488	.335	
		3.661	4.488	4.496	.551		710324★◄	S	35,00	50,00	50,20	11,00	32
710289★➔	S	45,00	67,00	67,20	8,00	32			1.378	1.969	1.976	.433	
		1.772	2.638	2.646	.315		710325★➔	S	28,00	40,00	40,20	7,00	32
710290★◄	V	100,00	124,00	124,20	13,00	32			1.102	1.575	1.583	.276	
		3.937	4.882	4.890	.512		710326★	S	40,00	64,00	64,10	12,00	66
710291★◄	N	41,00	63,00	63,20	9,00	40			1.575	2.520	2.524	.472	
		1.614	2.480	2.488	.354		710327★➔	S	32,00	48,00	48,20	7,00	32
710292★	S	52,00	68,00	68,10	6,50	#			1.260	1.890	1.898	.276	
		2.047	2.677	2.681	.256		710328★	S	33,00	50,00	50,20	7,00	35
710293★	S	81,50	89,80	-	2,50	#			1.299	1.969	1.976	.276	
		3.209	3.535	-	.098		710329★◄	H	35,00	50,00	50,20	8,00	32
710294★	S	84,00	100,00	100,10	10,00	47			1.378	1.969	1.976	.315	
		3.307	3.937	3.941	.394		710330★	N	85,00	113,00	113,20	10,50	#
710295★	S	106,00	123,00	123,10	11,00	47			3.346	4.449	4.457	.413	
		4.173	4.843	4.846	.433		710331★◄	V	35,00	54,00	54,20	8,00	32
710296★	S	48,00	108,50	108,70	13,00	#			1.378	2.126	2.134	.315	
		1.890	4.272	4.280	.512		710332★◄	N	31,00	46,00	46,20	8,00	32
710297★	S	18,00	23,00	23,20	4,00	34			1.220	1.811	1.819	.315	
		.709	.906	.913	.157		710333★◄	S	60,00	80,00	80,20	8,00	32
710298★➔	N	42,00	63,00	63,20	9,00	40			2.362	3.150	3.157	.315	
		1.654	2.480	2.488	.354								

For Illustration and Material Data See Technical Section

Designed For A Specific Application - Not Recommended For General Use ➔ Hydrodynamic Lip Design-CW ◄ Hydrodynamic Lip Design-CCW

◄➔ Hydrodynamic Lip Design-Bidirectional & Flanged O.D.

* The U.S. customer service number is 877-4-TIMKEN. The Canadian customer service numbers are 800-565-4927 (English) and 800-565-0438 (French-Canadian). ★ Metric Seal

Numerical List Size & Type

Part No.	Lip Mat'l	Shaft Size	Hsg. Bore	Seal O.D.	Seal Width	Type/ Illus.	Part No.	Lip Mat'l	Shaft Size	Hsg. Bore	Seal O.D.	Seal Width	Type/ Illus.
710300 SERIES (cont.)							710300 SERIES (cont.)						
710334★◀	N	68,00	86,00	86,20	8,00	32	710370★	S	32,00	43,00	43,20	7,00	32
		2.677	3.386	3.394	.315				1.260	1.693	1.701	.276	
710335★	S	35,00	65,00	65,20	12,00	32	710371★	S	101,00	114,00	114,10	10,00	25
		1.378	2.559	2.567	.472				3.976	4.488	4.492	.394	
710336★◀	N	35,00	68,00	68,20	9,00	40	710372★	S	115,00	156,00	156,10	28,00	#
		1.378	2.677	2.685	.354				4.528	6.142	6.146	1.102	
710337★	S	47,00	72,20	72,40	6,00	34	710373★	S	65,00	85,00	85,10	10,00	47
		1.850	2.843	2.850	.236				2.559	3.346	3.350	.394	
710338★	S	39,00	52,00	52,10	6,00	66	710374★	S	49,00	100,00	100,20	8,00	#
		1.535	2.047	2.051	.236				1.929	3.937	3.945	.315	
710339★	S	70,00	112,00	112,10	14,00	25	710375★	S	76,00	102,00	102,20	9,50	#
		2.756	4.409	4.413	.551				2.992	4.016	4.024	.374	
710340★	V	30,20	42,00	42,10	6,00	44	710376★	S	75,00	112,00	112,10	10,00	#
		1.189	1.654	1.657	.236				2.953	4.409	4.413	.394	
710341★◀	S	36,00	50,00	50,20	8,00	32	710377★	S	46,00	94,50	94,70	8,00	#
		1.417	1.969	1.976	.315				1.811	3.720	3.728	.315	
710342★➡	S	20,00	47,00	47,20	8,50	32	710378★	S	68,00	82,00	82,20	7,00	35
		.787	1.850	1.858	.335				2.677	3.228	3.236	.276	
710343★	S	36,00	46,00	46,10	9,00	33	710379★	S	60,00	72,00	72,10	7,50	47
		1.417	1.811	1.815	.354				2.362	2.835	2.839	.295	
710344★	S	17,40	30,00	30,20	7,00	32	710380★	S	130,00	150,00	150,10	10,00	47
		.685	1.181	1.189	.276				5.118	5.906	5.909	.394	
710345★➡	S	45,00	68,00	68,20	12,00	32	710381★%	S	124,00	170,00	-	14,50	#
		1.772	2.677	2.685	.472				4.882	6.693	-	.571	
710346★	S	15,00	20,00	20,10	5,00	49	710382★	S	56,00	66,00	66,20	17,00	#
		.591	.787	.791	.197				2.205	2.598	2.606	.669	
710347★◀	S	28,00	38,00	38,20	10,00	32	710383★	S	35,00	44,00	44,10	7,00	47
		1.102	1.496	1.504	.394				1.378	1.732	1.736	.276	
710348★	S	13,00	22,00	22,20	6,00	32	710384★	S	75,00	100,00	100,10	13,00	25
		.512	.866	.874	.236				2.953	3.937	3.941	.512	
710349★◀	V	105,00	135,00	135,20	14,50	#	710385	S	1.675	2.000	2.175	.200	#
		4.134	5.315	5.323	.571		710386★➡	H	42,00	56,00	56,20	7,00	32
710350★➡	V	60,00	82,00	82,20	12,00	#			1.654	2.205	2.213	.276	
		2.362	3.228	3.236	.472		710387★	S	43,00	65,04	65,14	9,50	47
710351★◀	H	100,00	135,00	135,20	10,00	32			1.693	2.561	2.565	.374	
		3.937	5.315	5.323	.394		710388➡	S	1.875	2.716	2.725	.394	32
710352★◀	V	95,00	113,00	113,10	10,00	47	710389	S	1.750	2.500	2.504	.484	7S
		3.740	4.449	4.453	.394								
710353★➡	S	37,00	58,00	58,10	10,00	66	710390★➡	N	60,00	82,00	82,20	10,00	32
		1.457	2.283	2.287	.394				2.362	3.228	3.236	.394	
710354★➡	N	50,00	65,00	65,20	8,00	32	710391★◀	H	100,00	135,00	135,20	15,00	94
		1.969	2.559	2.567	.315				3.937	5.315	5.323	.591	
710355★➡	N	37,00	50,50	50,70	7,00	32	710392★	S	62,00	74,00	74,10	7,00	#
		1.457	1.988	1.996	.276				2.441	2.913	2.917	.276	
710356★➡	S	48,00	60,00	60,20	9,00	32	710393★	S	56,00	72,00	72,20	8,00	#
		1.890	2.362	2.370	.354				2.205	2.835	2.843	.315	
710357★	S	50,00	67,00	67,20	9,00	47	710394★	S	46,00	62,00	62,20	20,50	#
		1.969	2.638	2.646	.354				1.811	2.441	2.449	.807	
*710358	N	1.625	2.374	2.378	.500	45	710395	S	2.750	3.779	3.784	.762	06
710359★◀	S	30,00	45,00	45,20	8,00	#	710396★◀➡	S	35,00	56,00	56,20	9,00	40
		1.181	1.772	1.780	.315				1.378	2.205	2.213	.354	
710360★	S	35,00	72,00	72,28	10,00	35	710397★	N	46,50	90,00	90,20	12,00	#
		1.378	2.835	2.846	.394				1.831	3.543	3.551	.472	
710361★	S	17,00	20,80	20,90	3,10	44	710398★	S	50,00	72,00	72,20	10,00	#
		.669	.819	.823	.122				1.969	2.835	2.843	.394	
710362★	S	17,00	25,00	25,10	5,00	49	710399★➡	S	26,00	42,00	42,20	8,00	32
		.669	.984	.988	.197				1.024	1.654	1.661	.315	
710363★◀	V	84,00	118,00	118,10	7,00	#	710400 SERIES						
		3.307	4.646	4.650	.276		710400★	S	58,00	75,00	75,10	9,00	47
710364★	N	45,00	98,00	98,10	10,50	#			2.283	2.953	2.957	.354	
		1.772	3.858	3.862	.413		710401★	S	30,00	37,00	37,30	3,50	#
710365%	S	2.000	2.720	-	.210	#			1.181	1.457	1.461	.138	
710366★◀	H	106,00	126,00	126,20	12,00	32	710402★	S	41,00	68,00	68,20	13,00	#
		4.173	4.961	4.969	.472				1.614	2.677	2.685	.512	
710367★➡	S	65,00	88,00	88,20	12,00	40	710403★	S	42,00	62,00	62,10	12,00	#
		2.559	3.465	3.472	.472				1.654	2.441	2.445	.472	
710368★	S	138,00	152,00	152,10	12,00	47	710404★	S	39,00	54,00	54,10	6,00	49
		5.433	5.984	5.988	.472				1.535	2.126	2.130	.236	
710369★	S	145,00	164,00	164,10	14,00	47	710405★	S	124,00	146,00	146,10	14,00	47
		5.709	6.457	6.461	.551				4.882	5.748	5.752	.551	

NUMERICAL SECTION

For Illustration and Material Data See Technical Section

Designed For A Specific Application - Not Recommended For General Use ➡ Hydrodynamic Lip Design-CW ◀ Hydrodynamic Lip Design-CCW

◀➡ Hydrodynamic Lip Design-Bidirectional % External Bore

* The U.S. customer service number is 877-4-TIMKEN. The Canadian customer service numbers are 800-565-4927 (English) and 800-565-0438 (French-Canadian). ★ Metric Seal

Part No.	Lip Mat'l	Shaft Size	Hsg. Bore	Seal O.D.	Seal Width	Type/ Illus.	Part No.	Lip Mat'l	Shaft Size	Hsg. Bore	Seal O.D.	Seal Width	Type/ Illus.
710400 SERIES (cont.)							710400 SERIES (cont.)						
710406★	S	140,00	170,00	170,10	14,00	47	710456	S	2.835	.000	3.709	.409	#
		5.512	6.693	6.697	.551		710457	V	3.000	4.003	4.008	.312	86
710407★	S	51,00	62,00	62,10	7,00	33	*710500	S	6.110	7.187	7.192	.400	230
		2.008	2.441	2.445	.276		710501	S	1.850	.000	2.440	.405	#
710408★	N	42,00	62,00	62,20	8,00	32	710502	S	1.688	.000	2.551	.595	#
		1.654	2.441	2.449	.315		710504	S	1.142	.000	1.457	.197	35
710409%	S	1.813	2.408	-	.300	#	710505	S	1.575	.000	2.293	.236	32
710410★	S	100,00	114,00	114,10	12,00	47	710506	S	2.088	.000	2.777	.500	86
		3.937	4.488	4.492	.472		710507	S	2.088	.000	2.915	.500	71
710411★	S	128,00	146,00	146,10	10,00	47	710508	S	2.324	.000	3.546	.591	71
		5.039	5.748	5.752	.394								
710412★	S	18,00	34,00	34,20	8,00	32	710509	S	1.496	.000	2.362	.433	#
		.709	1.339	1.346	.315		710510	N	1.497	.000	2.226	.472	#
710413	N	2.172	3.125	3.130	.675	#	710511	V	1.044	.000	1.713	.275	32
710414	T	1.500	2.500	2.500	.375	#	710512	N	1.594	.000	2.291	.354	40
710415★➔	S	32,00	50,00	50,23	8,00	32	710513	V	1.694	.000	2.462	.433	#
		1.260	1.969	1.978	.315		710514	S	3.506	.000	4.117	.453	41
710416★	S	34,00	48,00	48,28	7,50	35	710515	T	1.340	.000	1.910	.275	32
		1.339	1.890	1.901	.295		710516	S	1.181	.000	2.409	.354	#
710417★	N	34,00	50,00	50,20	8,00	35	710517	S	1.654	2.283	2.291	.472	#
		1.339	1.969	1.976	.315		710519	S	2.561	.000	3.979	.532	#
710418★	N	34,00	53,00	53,28	8,00	32							
		1.339	2.087	2.098	.315		710520	V	3.800	.000	4.590	.394	32
710419★	S	35,00	63,00	63,28	10,00	#	710521	V	1.790	.000	2.488	.275	32
		1.378	2.480	2.491	.394		710522	S	2.087	.000	2.805	.354	35
710420★➔	S	50,00	68,00	68,20	9,00	32	710523	S	1.575	.000	2.835	.433	#
		1.969	2.677	2.685	.354		710524	S	1.457	.000	2.186	.315	47
710422★	S	34,00	62,00	62,20	10,00	35	710525	S	1.732	2.913	2.921	.433	#
		1.339	2.441	2.449	.394		710526	V	3.950	.000	4.689	.370	32
710424★	S	35,00	60,00	60,23	10,00	35	710527	S	2.047	.000	2.717	.583	#
		1.378	2.362	2.371	.394		710528	S	2.402	.000	3.071	.531	#
710425	S	5.428	6.500	6.505	.420	230	710529	S	1.969	2.571	2.583	.315	#
710426	S	1.465	2.372	2.374	.433	#	710562	S	6.775	7.875	7.880	.360	230
710428	V	1.750	2.621	2.625	.937	87	710800	S	9.466	10.875	10.891	.375	230
							710925	S	11.006	12.875	12.891	.625	230
710429	V	1.380	2.288	2.291	.750	87	710928	N	1.938	2.680	.000	.500	#
710430&	S	2.325	3.125	3.130	.313	#	711000 SERIES						
710431	S	1.693	2.480	2.488	.394	#	711000	S	11.586	13.687	13.703	.562	230
710432★	S	40,00	57,00	57,20	10,00	32	711181	V	1.614	2.205	.000	.315	32
		1.575	2.244	2.252	.394		711200	S	13.797	15.500	15.516	.437	230
710433	S	1.102	2.087	2.091	.378	#	711552	N	1.552	2.502	2.506	.312	47
710435★	S	38,00	65,00	65,20	8,00	32	711553◆➔	N	2.375	3.875	3.881	1.060	74
		1.496	2.559	2.567	.315		712000 SERIES						
710436★➔	N	40,50	52,50	52,70	6,00	35	712000	N	3.000	5.750	5.764	.413	#
		1.594	2.067	2.075	.236		712001★➔	N	30,00	46,00	46,30	8,00	32
710437★	S	50,00	75,00	75,10	9,00	47							
		1.969	2.953	2.957	.354		712003★◀	V	120,00	140,00	140,30	13,00	32
710438★	S	54,00	76,00	76,20	14,00	#							
		2.126	2.992	3.000	.551		712004★◀	V	4.724	5.512	5.524	.512	
710439★	S	58,00	73,00	73,10	8,50	#							
		2.283	2.874	2.878	.335		712005★➔	H	105,00	130,00	130,25	12,00	32
710440★	S	68,00	90,00	90,10	12,00	47							
		2.677	3.543	3.547	.472		712006★◀	H	4.134	5.118	5.128	.472	
710441&	N	1.465	2.372	2.374	1.508	#							
710442★➔	N	42,00	59,00	59,10	7,00	48	712007★	V	65,00	84,00	84,30	9,00	32
		1.654	2.323	2.327	.276								
710443★	N	40,00	54,89	55,00	13,00	#	712008★	H	2.559	3.307	3.319	.354	
		1.575	2.161	2.165	.512								
710444★◀	S	40,00	53,90	54,00	6,00	32	712009★	V	60,00	82,00	82,20	12,00	32
		1.575	2.122	2.126	.236								
710445★	S	19,00	34,93	35,00	8,00	35	712010★➔	H	2.362	3.228	3.236	.472	
		.748	1.375	1.378	.315								
710446★➔	S	68,00	88,00	88,20	8,00	35	712011★	S	25,00	35,00	35,25	7,00	32
		2.677	3.465	3.472	.315								
710447	N	2.000	2.750	2.754	.325	47	712012	V	.984	1.378	1.388	.276	
710450	N	.787	1.260	1.268	.197	32	712013	S	28,00	42,00	42,20	8,00	32
710451	N	1.535	.000	2.094	.315	32							
							712014	S	1.102	1.654	1.661	.315	
710452	V	1.875	3.160	3.165	.530	72	712015	V	1.102	1.654	1.661	.315	
710453	N	1.890	2.810	.000	.700	#	712016	S	27,00	40,00	40,20	8,00	32
710454	V	3.543	.000	4.724	.630	#							
710455	S	1.312	1.627	.000	.331	#							

For Illustration and Material Data See Technical Section

◆ Designed For A Specific Application - Not Recommended For General Use ➔ Hydrodynamic Lip Design-CW ◀ Hydrodynamic Lip Design-CCW

◆ Hydrodynamic Lip Design-Bidirectional % External Bore & Flanged O.D.

* The U.S. customer service number is 877-4-TIMKEN. The Canadian customer service numbers are 800-565-4927 (English) and 800-565-0438 (French-Canadian). ★ Metric Seal

Numerical List Size & Type

Part No.	Lip Mat'l	Shaft Size	Hsg. Bore	Seal O.D.	Seal Width	Type/Illus.	Part No.	Lip Mat'l	Shaft Size	Hsg. Bore	Seal O.D.	Seal Width	Type/Illus.
712000 SERIES (cont.)							712100 SERIES (cont.)						
712017	S	.625	1.124	1.128	.375	#	*712136	S	2.187	2.875	2.883	.500	32
712018★	S	24.99	40.54	40.64	6.35	#	*712137	N	5.000	5.750	5.758	.437	33
		.984	1.596	1.600	.250		*712138★	N	77.00	100.10	100.30	11.00	35
712019	S	.500	.875	.879	.313	#			3.031	3.941	3.949	.433	
712020★◄	N	40.00	75.00	75.26	18.00	32	*712139	S	1.500	2.000	2.010	.219	35
		1.575	2.953	2.963	.709		*712140	S	1.125	1.563	1.583	.375	35
712021	S	.312	.749	.753	.250	#	*712141➔	T	1.437	2.059	2.065	.315	32
712022	S	.312	.686	.690	.313	#	*712142◄	T	3.110	3.750	3.760	.437	32
712023	V	1.500	2.311	2.315	.500	#	*712143	S	1.687	2.875	2.885	.625	32
712024	S	.625	1.124	1.128	.375	#	*712144	S	1.546	2.375	2.385	.500	32
712025	S	1.250	1.750	1.754	.250	#	*712145	S	2.312	3.125	3.135	.375	35
712026	S	1.000	1.375	1.379	.250	#							
							712146◄➔	S	1.687	2.560	2.579	.470	25
712027	S	.750	1.250	1.254	.250	#	*712147	V	.875	1.375	1.379	.375	43
712028	S	.562	.750	.754	.094	#							
712100 SERIES							712200 SERIES						
712100◄	T	3.125	3.750	3.768	.437	PDW	712250	V	2.250	3.000	3.005	.375	47
712101➔	T	2.625	3.375	3.390	.375	FW-H	712260	S	1.750	2.810	2.814	.315	47
712102➔	T	1.875	2.625	2.640	.433	FW-H	712270	S	.875	1.436	1.441	.256	48
712103➔	T	2.625	3.516	3.533	.394	PDW	712375	N	2.375	4.064	4.069	1.092	90
712104★➔	T	28.00	38.00	38.25	7.00	PDW	712449◄	V	4.812	5.543	5.551	.472	32
		1.102	1.496	1.506	.276		712511★➔	V	68.00	89.00	89.20	11.00	32
*712105★◄	T	100.00	120.00	120.25	11.00	W			2.677	3.504	3.512	.433	
		3.937	4.724	4.734	.433		712512◄	N	2.250	3.252	3.260	.551	#
712106★	T	120.00	140.00	140.20	13.00	32	712516★➔	N	47.60	68.00	68.30	14.00	#
		4.724	5.512	5.520	.512				1.875	2.677	2.689	.551	
712107★➔	T	105.00	130.00	130.16	11.00	FW-H	712551★	S	40.00	56.00	56.26	8.00	32
		4.134	5.118	5.124	.433				1.575	2.205	2.215	.315	
712108★➔	T	68.00	90.00	90.15	10.00	FW-H	712598	S	2.598	3.999	4.004	.780	47
		2.677	3.543	3.549	.394								
712109★◄	T	127.00	152.40	152.80	15.00	FW-H	712625	N	2.625	4.064	4.069	.960	90
		5.000	6.000	6.016	.591		712692	V	1.874	2.559	2.569	.335	#
							712750	V	3.500	4.501	4.506	.468	41
712110★◄	T	156.00	180.00	180.20	15.00	W	712937	N	2.937	4.939	4.944	1.250	90
		6.142	7.087	7.094	.591		712938	S	2.205	2.874	2.883	.866	#
712111★➔	T	80.00	100.00	100.40	10.00	FW-H							
		3.150	3.937	3.953	.394		713000 SERIES						
712112★◄	T	110.00	130.00	130.40	13.00	W	713103➔	V	2.180	3.190	3.194	.620	69
		4.331	5.118	5.134	.512		713163★◄	S	114.00	135.00	135.25	13.00	47
712113★➔	T	60.00	75.00	75.50	10.00	FW-H			4.488	5.315	5.325	.512	
		2.362	2.953	2.972	.394		713655★◄	N	35.00	52.00	52.35	7.75	32
712114★◄	T	130.00	150.00	150.40	13.00	FW-H			1.378	2.047	2.061	.305	
		5.118	5.906	5.921	.512		713750	V	3.750	4.500	4.506	.468	69
712115★➔	T	80.00	100.00	100.40	13.00	FW-H	713771★➔	V	35.00	50.00	50.34	7.00	35
		3.150	3.937	3.953	.512				1.378	1.969	1.982	.276	
712116➔	T	3.500	4.331	4.346	.472	FW-H							
712118★◄	T	160.00	190.00	190.40	13.00	FW-H	714000 SERIES						
		6.299	7.480	7.496	.512		714075	H	1.771	2.500	2.504	.359	#
712119★➔	T	94.90	120.00	120.40	13.00	FW-H	714436★	S	35.00	48.00	48.20	8.00	32
		3.736	4.724	4.740	.512				1.378	1.890	1.898	.315	
712120★➔	T	80.00	100.00	100.40	13.00	FW-H	714470	V	3.125	4.003	4.008	.500	48
		3.150	3.937	3.953	.512		714489	V	3.750	4.499	4.506	.468	96
*712121	T	2.500	3.500	3.510	.475	#	714503	N	1.886	2.756	2.756	.823	#
712122★◄	T	156.00	180.00	180.40	15.00	FW-H	714512◄➔	N	2.375	4.498	4.504	.391	87
		6.142	7.087	7.102	.591		714558◄➔	V	1.399	2.484	2.489	.280	#
712123★➔	T	80.00	100.00	100.40	13.00	FW-H	714559◄➔	V	1.399	2.484	2.489	.500	74
		3.150	3.937	3.953	.512		*714561◄	V	2.503	3.428	3.439	.800	#
712124★➔	T	90.00	110.00	110.40	12.00	FW-H	714569◄➔	V	1.574	2.410	2.415	.540	#
		3.543	4.331	4.346	.472								
712125★➔	T	54.00	73.00	73.40	12.75	FW-H	714616★	V	16.00	44.75	44.96	9.00	#
		2.126	2.874	2.890	.502				.630	1.762	1.770	.354	
712126◄	T	3.110	3.898	3.913	.378	FW-H	714619★	S	30.00	48.00	48.30	8.00	35
*712127	S	.622	1.559	1.567	.453	32			1.181	1.890	1.902	.315	
*712128	S	.593	1.000	1.008	.203	32	714654◄	N	2.000	2.996	3.003	.438	47
*712129	F	1.562	2.094	2.098	.312	#	714655➔	N	1.375	1.981	1.989	.252	48
*712130	S	3.500	6.000	6.008	1.546	#	714662★	V	16.00	27.23	27.33	9.00	47
									.630	1.072	1.076	.354	
*712131	S	3.250	3.781	3.785	.593	#	714670◄	N	2.500	3.500	3.504	.450	47
*712132	N	.625	1.687	1.691	.750	#	714675◄➔	V	1.843	2.748	2.751	.425	#
*712133	S	1.187	1.718	1.722	.550	#	714679◄➔	N	1.605	2.560	2.565	.693	#
*712134	N	1.440	2.756	2.764	.551	35	714713◄➔	V	4.000	4.999	5.004	.469	96
*712135	F	1.312	2.097	2.105	.375	#	714750	V	4.750	5.751	5.756	.500	48

For Illustration and Material Data See Technical Section

Designed For A Specific Application - Not Recommended For General Use ➔ Hydrodynamic Lip Design-CW ◄ Hydrodynamic Lip Design-CCW

◄➔ Hydrodynamic Lip Design-Bidirectional

* The U.S. customer service number is 877-4-TIMKEN. The Canadian customer service numbers are 800-565-4927 (English) and 800-565-0438 (French-Canadian). ★ Metric Seal

NUMERICAL SECTION

Part No.	Lip Mat'l	Shaft Size	Hsg. Bore	Seal O.D.	Seal Width	Type/ Illus.	Part No.	Lip Mat'l	Shaft Size	Hsg. Bore	Seal O.D.	Seal Width	Type/ Illus.
714000 SERIES (cont.)							METRIC SERIES (cont.)						
714810	V	3.003	3.751	3.761	.570	#	*5X22X7	S	5,00	21,80	22,00	7,00	32
715000 SERIES													
*715000	H	5.000	6.001	6.006	.500	#	*5.5X18X8	S	5,50	17,80	18,00	8,00	32
715100	S	1.875	3.150	3.155	.250	#	*5.5X22X8	S	5,50	21,80	22,00	8,00	32
*715101%	S	1.370	1.375	2.438	.250	#	6X16X5	S	6,00	16,00	16,20	5,00	35
715319	N	3.500	5.126	5.131	.625	47	6X16X7	S	6,00	16,00	16,28	7,00	35
716000 SERIES													
716102	H	85,00	105,00	105,28	10,00	32	*6X16X7V	V	6,00	16,00	16,20	7,00	35
716445	V	75,00	95,00	95,27	10,00	35	*6X17X7	S	6,00	16,80	17,00	7,00	32
716484	V	48,00	65,00	65,30	10,00	32	*6X18X6	S	6,00	17,80	18,00	6,00	32
717000 SERIES													
*717003	S	100,00	123,85	123,98	12,70	41	*6X18X7	S	6,00	17,80	18,00	7,00	32
717004	S	120,00	140,00	140,25	12,00	48	*6X19X7	S	6,00	18,80	19,00	7,00	32
717005	S	95,00	110,00	110,26	11,00	32	*6X20X5.5	S	6,00	19,80	20,00	5,50	32
717006	S	95,00	115,00	115,25	10,00	45	*6X21X7	S	6,00	20,80	21,00	7,00	32
718610	N	.562	1.004	1.008	.254	47	6X22X7	S	6,00	22,00	22,28	7,00	35
719316	V	1.875	3.160	3.165	.720	72	*6X26X7	S	6,00	25,80	26,00	7,00	32
720000 SERIES													
722108	N	1.312	1.625	1.662	.156	VRS1	*6X35X7	S	6,00	34,80	35,00	7,00	32
722109	S	2.250	2.675	2.733	.539	VRS1	*6.5X14.5X7	S	6,50	14,30	14,50	7,00	32
722250	N	2.250	4.064	4.069	1.092	90	*6.8X22X7	S	6,80	21,80	22,00	7,00	32
727410	S	.750	1.000	1.004	.125	44	7X16X7	S	7,00	16,00	16,28	7,00	32
900000 SERIES													
*907091	T	5.125	5.999	6.006	.413	90	*7X16X7V	V	7,00	16,00	16,20	7,00	35
910000 SERIES													
*914411	T	6.625	8.000	8.007	.750	91	*7X17X7	S	7,00	16,80	17,00	7,00	32
*914412	T	6.625	8.000	8.007	.750	91	*7X18X7	S	7,00	17,80	18,00	7,00	32
*914413	T	6.625	8.000	8.007	1.000	91	*7X19X7	S	7,00	18,80	19,00	7,00	32
940000 SERIES													
*947090	T	5.125	5.999	6.006	.413	94	*7X22X6	S	7,00	21,80	22,00	6,00	32
METRIC SERIES													
*4.5X16X5	S	4,50	15,80	16,00	5,00	32	*7X22X8	S	7,00	21,80	22,00	8,00	32
*4.5X16X7	S	4,50	15,80	16,00	7,00	32	7X22X7	S	7,00	22,00	22,28	7,00	35
*4.5X17X7	S	4,50	16,80	17,00	7,00	32	*7X31X7	S	7,00	30,80	31,00	7,00	32
*4.8X15X5	S	4,80	14,80	15,00	5,00	32	*8X14X7	S	8,00	13,80	14,00	7,00	32
*5X15X6	S	5,00	14,80	15,00	6,00	32	8X14X4	S	8,00	14,00	14,20	4,00	35
*5X16X6	S	5,00	15,80	16,00	6,00	32	*8X14X5	S	8,00	14,00	14,20	5,00	32
*5X16X5	S	5,00	16,00	16,20	5,00	32	*8X15X5	S	8,00	14,80	15,00	5,00	32
*5X17X7	S	5,00	16,80	17,00	7,00	32	*8X16X5	S	8,00	15,80	16,00	5,00	32
*5X18X6	S	5,00	17,80	18,00	6,00	32	*8X16X6	S	8,00	15,80	16,00	6,00	32
*5X18X7	S	5,00	17,80	18,00	7,00	32	8X16X7	S	8,00	16,00	16,23	7,00	35
*5X18X10	S	5,00	17,80	18,00	10,00	32	*8X17X7	S	8,00	16,80	17,00	7,00	32
*5X19X7	S	5,00	18,80	19,00	7,00	32	*8X18X6	S	8,00	17,80	18,00	6,00	32

For Illustration and Material Data See Technical Section

Designed For A Specific Application - Not Recommended For General Use ▶ Hydrodynamic Lip Design-CW ◀ Hydrodynamic Lip Design-CCW % External Bore

Numerical List Size & Type

Part No.	Lip Mat'l	Shaft Size	Hsg. Bore	Seal O.D.	Seal Width	Type/ Illus.	Part No.	Lip Mat'l	Shaft Size	Hsg. Bore	Seal O.D.	Seal Width	Type/ Illus.
METRIC SERIES (cont.)							METRIC SERIES (cont.)						
*8X18X8	S	8,00	17,80	18,00	8,00	32	*10X18X4	S	10,00	17,80	18,00	4,00	32
		.315	.701	.709	.315				.394	.701	.709	.157	
8X18X5	S	8,00	18,00	18,20	5,00	35	*10X18X5	S	10,00	17,80	18,00	5,00	32
		.315	.709	.717	.197				.394	.701	.709	.197	
8X18X7	S	8,00	18,00	18,20	7,00	32	*10X18X6	S	10,00	17,80	18,00	6,00	32
		.315	.709	.717	.276				.394	.701	.709	.236	
*8X19X7	S	8,00	18,80	19,00	7,00	32	*10X18X7	S	10,00	17,80	18,00	7,00	32
		.315	.740	.748	.276				.394	.701	.709	.276	
*8X20X7	S	8,00	19,80	20,00	7,00	32	10X19X7	S	10,00	19,00	19,20	7,00	32
		.315	.779	.787	.276				.394	.748	.756	.276	
*8X22X6	S	8,00	21,80	22,00	6,00	32	*10X20X5	S	10,00	19,80	20,00	5,00	32
		.315	.858	.866	.236				.394	.779	.787	.197	
8X22X7	S	8,00	22,00	22,28	7,00	32	*10X20X6	S	10,00	19,80	20,00	6,00	32
		.315	.866	.877	.276				.394	.779	.787	.236	
*8X22X7V	V	8,00	22,00	22,20	7,00	32	*10X20X7	S	10,00	19,80	20,00	7,00	32
		.315	.866	.874	.276				.394	.779	.787	.276	
*8X23X5	S	8,00	22,80	23,00	5,00	32	*10X21X4	S	10,00	20,80	21,00	4,00	32
		.315	.898	.906	.197				.394	.819	.827	.157	
8X24X7	S	8,00	24,00	24,28	7,00	35	*10X21X6	S	10,00	20,80	21,00	6,00	32
		.315	.945	.956	.276				.394	.819	.827	.236	
*8X25X7	S	8,00	24,80	25,00	7,00	32	*10X21X7	S	10,00	20,80	21,00	7,00	32
		.315	.976	.984	.276				.394	.819	.827	.276	
*8X25X8	S	8,00	24,80	25,00	8,00	32	*10X22X5	S	10,00	21,80	22,00	5,00	32
		.315	.976	.984	.315				.394	.858	.866	.197	
*8X25X9	S	8,00	24,80	25,00	9,00	32	*10X22X6	S	10,00	21,80	22,00	6,00	32
		.315	.976	.984	.354				.394	.858	.866	.236	
*8X26X7	S	8,00	25,80	26,00	7,00	32	10X22X7	S	10,00	22,00	22,28	7,00	32
		.315	1.016	1.024	.276				.394	.866	.877	.276	
*8X30X6	S	8,00	29,80	30,00	6,00	32	*10X22X7V	V	10,00	22,00	22,20	7,00	35
		.315	1.173	1.181	.236				.394	.866	.874	.276	
*8X30X7	S	8,00	29,80	30,00	7,00	32	*10X23X7	S	10,00	22,80	23,00	7,00	32
		.315	1.173	1.181	.276				.394	.898	.906	.276	
*8X34X8	S	8,00	33,80	34,00	8,00	32	*10X23X8	S	10,00	22,80	23,00	8,00	32
		.315	1.331	1.339	.315				.394	.898	.906	.315	
*8.85X17X5	S	8,85	16,80	17,00	5,00	32	*10X24X6	S	10,00	23,80	24,00	6,00	32
		.348	.661	.669	.197				.394	.937	.945	.236	
*8.85X20X5	S	8,85	19,80	20,00	5,00	32	10X24X7	S	10,00	24,00	24,23	7,00	35
		.348	.779	.787	.197				.394	.945	.954	.276	
*9X16X5.5	S	9,00	15,80	16,00	5,50	32	*10X25X5	S	10,00	24,80	25,00	5,00	32
		.354	.622	.630	.217				.394	.976	.984	.197	
9X18X7	S	9,00	18,00	18,20	7,00	35	*10X25X10	S	10,00	24,80	25,00	10,00	32
		.354	.709	.717	.276				.394	.976	.984	.394	
*9X19X5	S	9,00	18,80	19,00	5,00	32	10X25X7	S	10,00	25,00	25,28	7,00	32
		.354	.740	.748	.197				.394	.984	.995	.276	
*9X19X7	S	9,00	18,80	19,00	7,00	32	*10X26X8	S	10,00	25,80	26,00	8,00	32
		.354	.740	.748	.276				.394	1.016	1.024	.315	
*9X20X7	S	9,00	19,80	20,00	7,00	32	10X26X7	S	10,00	26,00	26,23	7,00	32
		.354	.779	.787	.276				.394	1.024	1.033	.276	
9X22X7	S	9,00	22,00	22,20	7,00	35	*10X28X7	S	10,00	27,80	28,00	7,00	32
		.354	.866	.874	.276				.394	1.094	1.102	.276	
*9X22X7V	V	9,00	22,00	22,20	7,00	35	*10X28X8	S	10,00	27,80	28,00	8,00	32
		.354	.866	.874	.276				.394	1.094	1.102	.315	
9X24X7	S	9,00	24,00	24,28	7,00	35	*10X30X7	S	10,00	29,80	30,00	7,00	32
		.354	.945	.956	.276				.394	1.173	1.181	.276	
*9X25X7	S	9,00	24,80	25,00	7,00	32	*10X30X10	S	10,00	29,80	30,00	10,00	32
		.354	.976	.984	.276				.394	1.173	1.181	.394	
9X26X7	S	9,00	26,00	26,28	7,00	35	*10X23.5X10	S	10,00	23,30	23,50	10,00	32
		.354	1.024	1.035	.276				.394	.917	.925	.394	
*9X29X7	S	9,00	28,80	29,00	7,00	32	11X17X4	S	11,00	17,00	17,25	4,00	32
		.354	1.134	1.142	.276				.433	.669	.679	.157	
*9X30X7	S	9,00	29,80	30,00	7,00	32	*11X21X7	S	11,00	20,80	21,00	7,00	32
		.354	1.173	1.181	.276				.433	.819	.827	.276	
*10X16X4	S	10,00	15,80	16,00	4,00	32	*11X21X8	S	11,00	20,80	21,00	8,00	32
		.394	.622	.630	.157				.433	.819	.827	.315	
*10X16X4.5	S	10,00	15,80	16,00	4,50	32	11X22X7	S	11,00	22,00	22,28	7,00	32
		.394	.622	.630	.177				.433	.866	.877	.276	
*10X17X5	S	10,00	16,80	17,00	5,00	32	*11X23X7	S	11,00	22,80	23,00	7,00	32
		.394	.661	.669	.197				.433	.898	.906	.276	
*10X17X7	S	10,00	16,80	17,00	7,00	32	*11X25X7	S	11,00	24,80	25,00	7,00	32
		.394	.661	.669	.276				.433	.976	.984	.276	

NUMERICAL SECTION

For Illustration and Material Data See Technical Section

* The U.S. customer service number is 877-4-TIMKEN. The Canadian customer service numbers are 800-565-4927 (English) and 800-565-0438 (French-Canadian).

Part No.	Lip Mat'l	Shaft Size	Hsg. Bore	Seal O.D.	Seal Width	Type/ Illus.	Part No.	Lip Mat'l	Shaft Size	Hsg. Bore	Seal O.D.	Seal Width	Type/ Illus.
METRIC SERIES (cont.)							METRIC SERIES (cont.)						
11X26X7	S	11,00	26,00	26,28	7,00	35	* 12X28X8	S	12,00	27,80	28,00	8,00	32
		.433	1.024	1.035	.276				.472	1.094	1.102	.315	
* 11X28X7	S	11,00	27,80	28,00	7,00	32	12X28X7	S	12,00	28,00	28,20	7,00	35
		.433	1.094	1.102	.276				.472	1.102	1.110	.276	
* 11X29X7	S	11,00	28,80	29,00	7,00	32	* 12X28X7V	V	12,00	28,00	28,20	7,00	35
		.433	1.134	1.142	.276				.472	1.102	1.110	.276	
* 11X30X10	S	11,00	29,80	30,00	10,00	32	* 12X30X5	S	12,00	29,80	30,00	5,00	32
		.433	1.173	1.181	.394				.472	1.173	1.181	.197	
11X30X7	S	11,00	30,00	30,20	7,00	32	* 12X30X9	S	12,00	29,80	30,00	9,00	32
		.433	1.181	1.189	.276				.472	1.173	1.181	.354	
* 11X23.5X7	S	11,00	23,30	23,50	7,00	32	* 12X30X10	S	12,00	29,80	30,00	10,00	32
		.433	.917	.925	.276				.472	1.173	1.181	.394	
* 11.6X19X6	S	11,60	18,80	19,00	6,00	32	12X30X7	S	12,00	30,00	30,20	7,00	32
		.457	.740	.748	.236				.472	1.181	1.189	.276	
* 11.6X24X10	S	11,60	23,80	24,00	10,00	32	* 12X30X7V	V	12,00	30,00	30,20	7,00	35
		.457	.937	.945	.394				.472	1.181	1.189	.276	
* 12X18X5	S	12,00	17,80	18,00	5,00	32	* 12X32X5	S	12,00	31,80	32,00	5,00	32
		.472	.701	.709	.197				.472	1.252	1.260	.197	
* 12X19X7	S	12,00	18,80	19,00	7,00	32	* 12X32X10	S	12,00	31,80	32,00	10,00	32
		.472	.740	.748	.276				.472	1.252	1.260	.394	
12X19X5	S	12,00	19,00	19,20	5,00	32	12X32X7	S	12,00	32,00	32,20	7,00	35
		.472	.748	.756	.197				.472	1.260	1.268	.276	
* 12X20X4	S	12,00	19,80	20,00	4,00	32	* 12X35X10	S	12,00	34,80	35,00	10,00	32
		.472	.779	.787	.157				.472	1.370	1.378	.394	
* 12X20X6	S	12,00	19,80	20,00	6,00	32	12X35X7	S	12,00	35,00	35,20	7,00	32
		.472	.779	.787	.236				.472	1.378	1.386	.276	
* 12X20X7	S	12,00	19,80	20,00	7,00	32	* 12X37X7	S	12,00	36,80	37,00	7,00	32
		.472	.779	.787	.276				.472	1.449	1.457	.276	
12X20X5	S	12,00	20,00	20,28	5,00	32	* 12X23.5X7	S	12,00	23,30	23,50	7,00	32
		.472	.787	.798	.197				.472	.917	.925	.276	
* 12X21X4	S	12,00	20,80	21,00	4,00	32	* 12X25.5X7	S	12,00	25,30	25,50	7,00	32
		.472	.819	.827	.157				.472	.996	1.004	.276	
* 12X21X7	S	12,00	20,80	21,00	7,00	32	* 12X28.5X7	S	12,00	28,30	28,50	7,00	32
		.472	.819	.827	.276				.472	1.114	1.122	.276	
* 12X22X5	S	12,00	21,80	22,00	5,00	32	* 12.45X22X7	S	12,45	21,80	22,00	7,00	32
		.472	.858	.866	.197				.490	.858	.866	.276	
* 12X22X8	S	12,00	21,80	22,00	8,00	32	* 12.5X22X6	S	12,50	21,80	22,00	6,00	32
		.472	.858	.866	.315				.492	.858	.866	.236	
* 12X22X9	S	12,00	21,80	22,00	9,00	32	* 12.5X25X8	S	12,50	24,80	25,00	8,00	32
		.472	.858	.866	.354				.492	.976	.984	.315	
* 12X22X6.5	S	12,00	21,80	22,00	6,50	32	* 12.5X23.5X8	S	12,50	23,30	23,50	8,00	32
		.472	.858	.866	.256				.492	.917	.925	.315	
12X22X7	S	12,00	22,00	22,25	7,00	35	* 12.5X23.5X10	S	12,50	23,30	23,50	10,00	32
		.472	.866	.876	.276				.492	.917	.925	.394	
* 12X22X7V	V	12,00	22,00	22,20	7,00	35	* 12.5X28.5X7	S	12,50	28,30	28,50	7,00	32
		.472	.866	.874	.276				.492	1.114	1.122	.276	
* 12X23X7	S	12,00	22,80	23,00	7,00	32	* 13X20X5	S	13,00	19,80	20,00	5,00	32
		.472	.898	.906	.276				.512	.779	.787	.197	
* 12X24X8	S	12,00	23,80	24,00	8,00	32	* 13X22X5	S	13,00	21,80	22,00	5,00	32
		.472	.937	.945	.315				.512	.858	.866	.197	
12X24X7	S	12,00	24,00	24,23	7,00	32	* 13X22X7	S	13,00	21,80	22,00	7,00	32
		.472	.945	.954	.276				.512	.858	.866	.276	
* 12X25X8	S	12,00	24,80	25,00	8,00	32	13X22X6	S	13,00	22,00	22,20	6,00	32
		.472	.976	.984	.315				.512	.866	.874	.236	
* 12X25X10	S	12,00	24,80	25,00	10,00	32	* 13X23X7	S	13,00	22,80	23,00	7,00	32
		.472	.976	.984	.394				.512	.898	.906	.276	
12X25X4.5	S	12,00	25,00	25,20	4,50	32	* 13X24X7	S	13,00	23,80	24,00	7,00	32
		.472	.984	.992	.177				.512	.937	.945	.276	
12X25X4.5	S	12,00	25,00	25,20	4,50	32	* 13X25X5	S	13,00	24,80	25,00	5,00	32
		.472	.984	.992	.177				.512	.976	.984	.197	
12X25X7	S	12,00	25,00	25,25	7,00	32	* 13X25X7	S	13,00	24,80	25,00	7,00	32
		.472	.984	.994	.276				.512	.976	.984	.276	
* 12X26X8	S	12,00	25,80	26,00	8,00	32	* 13X26X9	S	13,00	25,80	26,00	9,00	32
		.472	1.016	1.024	.315				.512	1.016	1.024	.354	
12X26X7	S	12,00	26,00	26,20	7,00	32	13X26X7	S	13,00	26,00	26,20	7,00	32
		.472	1.024	1.031	.276				.512	1.024	1.031	.276	
* 12X27X9	S	12,00	26,80	27,00	9,00	32	* 13X27X7	S	13,00	27,00	27,20	7,00	32
		.472	1.055	1.063	.354				.512	1.063	1.071	.276	
* 12X27X7	S	12,00	27,00	27,20	7,00	32	13X28X7	S	13,00	28,00	28,20	7,00	32
		.472	1.063	1.071	.276				.512	1.102	1.110	.276	

For Illustration and Material Data See Technical Section

* The U.S. customer service number is 877-4-TIMKEN. The Canadian customer service numbers are 800-565-4927 (English) and 800-565-0438 (French-Canadian).

Numerical List Size & Type

Part No.	Lip Mat'l	Shaft Size	Hsg. Bore	Seal O.D.	Seal Width	Type/ Illus.	Part No.	Lip Mat'l	Shaft Size	Hsg. Bore	Seal O.D.	Seal Width	Type/ Illus.
METRIC SERIES (cont.)							METRIC SERIES (cont.)						
* 13X30X8	S	13,00	29,80	30,00	8,00	32	* 14X32X7.5	S	14,00	31,80	32,00	7,50	32
		.512	1.173	1.181	.315				.551	1.252	1.260	.295	
13X30X7	S	13,00	30,00	30,20	7,00	32	* 14X35X8	S	14,00	34,80	35,00	8,00	32
		.512	1.181	1.189	.276				.551	1.370	1.378	.315	
* 13X32X7	S	13,00	31,80	32,00	7,00	32	* 14X35X10	S	14,00	34,80	35,00	10,00	32
		.512	1.252	1.260	.276				.551	1.370	1.378	.394	
* 13X35X7	S	13,00	34,80	35,00	7,00	32	14X35X7	S	14,00	35,00	35,22	7,00	32
		.512	1.370	1.378	.276				.551	1.378	1.387	.276	
* 13.8X24X5	S	13,80	23,80	24,00	5,00	32	* 14X36X7	S	14,00	35,80	36,00	7,00	32
		.543	.937	.945	.197				.551	1.409	1.417	.276	
* 14X21X4	S	14,00	20,80	21,00	4,00	32	* 14X40X7	S	14,00	39,80	40,00	7,00	32
		.551	.819	.827	.157				.551	1.567	1.575	.276	
* 14X22X4	S	14,00	21,80	22,00	4,00	32	* 14X40X10	S	14,00	39,80	40,00	10,00	32
		.551	.858	.866	.157				.551	1.567	1.575	.394	
* 14X22X6	S	14,00	21,80	22,00	6,00	32	* 14X28.5X7	S	14,00	28,30	28,50	7,00	32
		.551	.858	.866	.236				.551	1.114	1.122	.276	
* 14X22X7	S	14,00	21,80	22,00	7,00	32	* 14.5X32X7	S	14,50	31,80	32,00	7,00	32
		.551	.858	.866	.276				.571	1.252	1.260	.276	
* 14X23X6	S	14,00	22,80	23,00	6,00	32	* 14.8X30X7.5	S	14,80	29,80	30,00	7,50	32
		.551	.898	.906	.236				.583	1.173	1.181	.295	
* 14X24X4	S	14,00	23,80	24,00	4,00	32	* 15X21X5	S	15,00	20,80	21,00	5,00	32
		.551	.937	.945	.157				.591	.819	.827	.197	
* 14X24X5	S	14,00	23,80	24,00	5,00	32	* 15X22X4	S	15,00	21,80	22,00	4,00	32
		.551	.937	.945	.197				.591	.858	.866	.157	
* 14X24X6	S	14,00	23,80	24,00	6,00	32	* 15X22X5	S	15,00	21,80	22,00	5,00	32
		.551	.937	.945	.236				.591	.858	.866	.197	
* 14X24X8	S	14,00	23,80	24,00	8,00	32	* 15X22X7	S	15,00	21,80	22,00	7,00	32
		.551	.937	.945	.315				.591	.858	.866	.276	
14X24X7	S	14,00	24,00	24,23	7,00	32	* 15X23X7	S	15,00	22,80	23,00	7,00	32
		.551	.945	.954	.276				.591	.898	.906	.276	
* 14X25X4	S	14,00	24,80	25,00	4,00	32	* 15X24X5	S	15,00	23,80	24,00	5,00	32
		.551	.976	.984	.157				.591	.937	.945	.197	
* 14X25X7	S	14,00	24,80	25,00	7,00	32	* 15X24X6	S	15,00	23,80	24,00	6,00	32
		.551	.976	.984	.276				.591	.937	.945	.236	
* 14X25X9	S	14,00	24,80	25,00	9,00	32	15X24X7	S	15,00	24,00	24,23	7,00	32
		.551	.976	.984	.354				.591	.945	.954	.276	
14X25X5	S	14,00	25,00	25,23	5,00	32	15X25X5	S	15,00	25,00	25,20	5,00	32
		.551	.984	.993	.197				.591	.984	.992	.197	
* 14X26X8	S	14,00	25,80	26,00	8,00	32	15X25X6	N	15,00	25,00	25,25	6,00	32
		.551	1.016	1.024	.315				.591	.984	.994	.236	
14X26X7	S	14,00	26,00	26,23	7,00	32	15X25X7	S	15,00	25,00	25,20	7,00	35
		.551	1.024	1.033	.276				.591	.984	.992	.276	
* 14X27X10	S	14,00	26,80	27,00	10,00	32	* 15X26X6	S	15,00	25,80	26,00	6,00	32
		.551	1.055	1.063	.394				.591	1.016	1.024	.236	
14X27X7	S	14,00	27,00	27,20	7,00	32	* 15X26X8	S	15,00	25,80	26,00	8,00	32
		.551	1.063	1.071	.276				.591	1.016	1.024	.315	
* 14X28X7	S	14,00	27,80	28,00	7,00	32	* 15X26X9	S	15,00	25,80	26,00	9,00	32
		.551	1.094	1.102	.276				.591	1.016	1.024	.354	
* 14X28X7	S	14,00	27,80	28,00	7,00	32	15X26X7	S	15,00	26,00	26,23	7,00	32
		.551	1.094	1.102	.276				.591	1.024	1.033	.276	
14X28X6	S	14,00	28,00	28,23	6,00	32	* 15X27X7	S	15,00	26,80	27,00	7,00	32
		.551	1.102	1.111	.236				.591	1.055	1.063	.276	
* 14X29X7	S	14,00	28,80	29,00	7,00	32	* 15X27X8	S	15,00	26,80	27,00	8,00	32
		.551	1.134	1.142	.276				.591	1.055	1.063	.315	
* 14X30X8	S	14,00	29,80	30,00	8,00	32	* 15X28X6	S	15,00	27,80	28,00	6,00	32
		.551	1.173	1.181	.315				.591	1.094	1.102	.236	
* 14X30X9	S	14,00	29,80	30,00	9,00	32	* 15X28X8	S	15,00	27,80	28,00	8,00	32
		.551	1.173	1.181	.354				.591	1.094	1.102	.315	
* 14X30X10	S	14,00	29,80	30,00	10,00	32	* 15X28X10	S	15,00	27,80	28,00	10,00	32
		.551	1.173	1.181	.394				.591	1.094	1.102	.394	
14X30X7	S	14,00	30,00	30,20	7,00	32	15X28X7	S	15,00	28,00	28,20	7,00	32
		.551	1.181	1.189	.276				.591	1.102	1.110	.276	
* 14X30X7V	V	14,00	30,00	30,20	7,00	35	* 15X29X7	S	15,00	28,80	29,00	7,00	32
		.551	1.181	1.189	.276				.591	1.134	1.142	.276	
* 14X30X7.5	S	14,00	29,80	30,00	7,50	32	* 15X30X5	S	15,00	29,80	30,00	5,00	32
		.551	1.173	1.181	.295				.591	1.173	1.181	.197	
* 14X32X10	S	14,00	31,80	32,00	10,00	32	* 15X30X8	S	15,00	29,80	30,00	8,00	32
		.551	1.252	1.260	.394				.591	1.173	1.181	.315	
14X32X7	S	14,00	32,00	32,20	7,00	32	* 15X30X10	S	15,00	29,80	30,00	10,00	32
		.551	1.260	1.268	.276				.591	1.173	1.181	.394	

NUMERICAL SECTION

For Illustration and Material Data See Technical Section

* The U.S. customer service number is 877-4-TIMKEN. The Canadian customer service numbers are 800-565-4927 (English) and 800-565-0438 (French-Canadian).

Part No.	Lip Mat'l	Shaft Size	Hsg. Bore	Seal O.D.	Seal Width	Type/ Illus.	Part No.	Lip Mat'l	Shaft Size	Hsg. Bore	Seal O.D.	Seal Width	Type/ Illus.
METRIC SERIES (cont.)							METRIC SERIES (cont.)						
15X30X7	S	15,00	30,00	30,23	7,00	32	16X24X5	S	16,00	25,00	25,20	5,00	35
		.591	1.181	1.190	.276				.630	.984	.992	.197	
* 15X30X7.5	S	15,00	29,80	30,00	7,50	32	16X24X6	S	16,00	24,00	24,20	6,00	32
		.591	1.173	1.181	.295				.630	.945	.953	.236	
* 15X31X7	S	15,00	30,80	31,00	7,00	32	16X24X7	S	16,00	24,00	24,20	7,00	32
		.591	1.212	1.220	.276				.630	.945	.953	.276	
* 15X32X5	S	15,00	31,80	32,00	5,00	32	* 16X25X5	S	16,00	24,80	25,00	5,00	32
		.591	1.252	1.260	.197				.630	.976	.984	.197	
* 15X32X9	S	15,00	31,80	32,00	9,00	32	* 16X25X6	S	16,00	24,80	25,00	6,00	32
		.591	1.252	1.260	.354				.630	.976	.984	.236	
15X32X7	S	15,00	32,00	32,20	7,00	35	* 16X25X7	S	16,00	24,80	25,00	7,00	32
		.591	1.260	1.268	.276				.630	.976	.984	.276	
* 15X32X7V	V	15,00	32,00	32,20	7,00	35	* 16X26X5	S	16,00	25,80	26,00	5,00	32
		.591	1.260	1.268	.276				.630	1.016	1.024	.197	
* 15X32X7.5	S	15,00	31,80	32,00	7,50	32	* 16X26X6	S	16,00	25,80	26,00	6,00	32
		.591	1.252	1.260	.295				.630	1.016	1.024	.236	
15X32X8	S	15,00	32,00	32,22	8,00	32	* 16X26X6	S	16,00	25,80	26,00	6,00	32
		.591	1.260	1.269	.315				.630	1.016	1.024	.236	
* 15X35X5	S	15,00	34,80	35,00	5,00	32	16X26X7	S	16,00	26,00	26,20	7,00	32
		.591	1.370	1.378	.197				.630	1.024	1.031	.276	
* 15X35X6	S	15,00	34,80	35,00	6,00	32	* 16X27X7	S	16,00	26,80	27,00	7,00	32
		.591	1.370	1.378	.236				.630	1.055	1.063	.276	
* 15X35X8	S	15,00	34,80	35,00	8,00	32	16X28X7	S	16,00	28,00	28,23	7,00	32
		.591	1.370	1.378	.315				.630	1.102	1.111	.276	
* 15X35X10	S	15,00	34,80	35,00	10,00	32	* 16X28X7V	V	16,00	28,00	28,20	7,00	32
		.591	1.370	1.378	.394				.630	1.102	1.110	.276	
15X35X7	S	15,00	35,00	35,23	7,00	32	* 16X29X7	S	16,00	28,80	29,00	7,00	32
		.591	1.378	1.387	.276				.630	1.134	1.142	.276	
* 15X35X7V	V	15,00	35,00	35,20	7,00	35	* 16X30X5	S	16,00	29,80	30,00	5,00	32
		.591	1.378	1.386	.276				.630	1.173	1.181	.197	
* 15X36X7	S	15,00	35,80	36,00	7,00	32	* 16X30X6	S	16,00	29,80	30,00	6,00	32
		.591	1.409	1.417	.276				.630	1.173	1.181	.236	
* 15X37X7	S	15,00	36,80	37,00	7,00	32	* 16X30X8	S	16,00	29,80	30,00	8,00	32
		.591	1.449	1.457	.276				.630	1.173	1.181	.315	
15X37X6	S	15,00	37,00	37,20	6,00	32	* 16X30X10	S	16,00	29,80	30,00	10,00	32
		.591	1.457	1.465	.236				.630	1.173	1.181	.394	
* 15X38X10	S	15,00	37,80	38,00	10,00	32	* 16X30X4.5	S	16,00	29,80	30,00	4,50	32
		.591	1.488	1.496	.394				.630	1.173	1.181	.177	
* 15X38X7	S	15,00	38,00	38,20	7,00	32	16X30X7	S	16,00	30,00	30,23	7,00	32
		.591	1.496	1.504	.276				.630	1.181	1.190	.276	
* 15X40X8	S	15,00	39,80	40,00	8,00	32	* 16X30X7V	V	16,00	30,00	30,20	7,00	35
		.591	1.567	1.575	.315				.630	1.181	1.189	.276	
* 15X40X10	S	15,00	39,80	40,00	10,00	32	* 16X32X10	S	16,00	31,80	32,00	10,00	32
		.591	1.567	1.575	.394				.630	1.252	1.260	.394	
15X40X7	S	15,00	40,00	40,20	7,00	32	16X32X7	S	16,00	32,00	32,28	7,00	32
		.591	1.575	1.583	.276				.630	1.260	1.271	.276	
* 15X42X7	S	15,00	41,80	42,00	7,00	32	* 16X34X4	S	16,00	33,80	34,00	4,00	32
		.591	1.646	1.654	.276				.630	1.331	1.339	.157	
* 15X42X8	S	15,00	41,80	42,00	8,00	32	* 16X35X8	S	16,00	34,80	35,00	8,00	32
		.591	1.646	1.654	.315				.630	1.370	1.378	.315	
* 15X42X10	S	15,00	41,80	42,00	10,00	32	* 16X35X10	S	16,00	34,80	35,00	10,00	32
		.591	1.646	1.654	.394				.630	1.370	1.378	.394	
* 15X25.5X7	S	15,00	25,30	25,50	7,00	32	16X35X7	S	16,00	35,00	35,23	7,00	32
		.591	.996	1.004	.276				.630	1.378	1.387	.276	
* 15X25.5X4.5	S	15,00	25,30	25,50	4,50	32	* 16X36X7	S	16,00	36,00	36,20	7,00	32
		.591	.996	1.004	.177				.630	1.417	1.425	.276	
* 15X28.5X7	S	15,00	28,30	28,50	7,00	32	* 16X37X7	S	16,00	36,80	37,00	7,00	32
		.591	1.114	1.122	.276				.630	1.449	1.457	.276	
* 15X28.13X7	S	15,00	27,93	28,13	7,00	32	* 16X38X8	S	16,00	37,80	38,00	8,00	32
		.591	1.099	1.107	.276				.630	1.488	1.496	.315	
* 15.6X25.5X7	S	15,60	25,30	25,50	7,00	32	16X38X7	S	16,00	38,00	38,20	7,00	32
		.614	.996	1.004	.276				.630	1.496	1.504	.276	
* 16X21X6	S	16,00	20,80	21,00	6,00	32	* 16X40X10	S	16,00	39,80	40,00	10,00	32
		.630	.819	.827	.236				.630	1.567	1.575	.394	
* 16X22X7	S	16,00	21,80	22,00	7,00	32	16X40X7	S	16,00	40,00	40,20	7,00	32
		.630	.858	.866	.276				.630	1.575	1.583	.276	
16X22X4	S	16,00	22,00	22,20	4,00	32	* 16X28.5X8	S	16,00	28,30	28,50	8,00	32
		.630	.866	.874	.157				.630	1.114	1.122	.315	
* 16X24X4	S	16,00	23,80	24,00	4,00	32	* 16.4X30X5	S	16,40	29,80	30,00	5,00	32
		.630	.937	.945	.157				.646	1.173	1.181	.197	

For Illustration and Material Data See Technical Section

* The U.S. customer service number is 877-4-TIMKEN. The Canadian customer service numbers are 800-565-4927 (English) and 800-565-0438 (French-Canadian).

Numerical List Size & Type

Part No.	Lip Mat'l	Shaft Size	Hsg. Bore	Seal O.D.	Seal Width	Type/ Illus.	Part No.	Lip Mat'l	Shaft Size	Hsg. Bore	Seal O.D.	Seal Width	Type/ Illus.
METRIC SERIES (cont.)							METRIC SERIES (cont.)						
* 17X24X7	S	17,00	23,80	24,00	7,00	32	* 17X35X10	S	17,00	34,80	35,00	10,00	32
		.669	.937	.945	.276				.669	1.370	1.378	.394	
* 17X25X4	S	17,00	24,80	25,00	4,00	32	17X35X7	S	17,00	35,00	35,18	7,00	35
		.669	.976	.984	.157				.669	1.378	1.385	.276	
* 17X25X6	S	17,00	24,80	25,00	6,00	32	* 17X35X7V	V	17,00	35,00	35,20	7,00	35
		.669	.976	.984	.236				.669	1.378	1.386	.276	
* 17X25X7	S	17,00	24,80	25,00	7,00	32	17X35X8	S	17,00	35,00	35,20	8,00	35
		.669	.976	.984	.276				.669	1.378	1.386	.315	
* 17X26X6	S	17,00	25,80	26,00	6,00	32	* 17X36X7	S	17,00	36,00	36,20	7,00	32
		.669	1.016	1.024	.236				.669	1.417	1.425	.276	
* 17X26X7	S	17,00	25,80	26,00	7,00	32	* 17X37X10	S	17,00	36,80	37,00	10,00	32
		.669	1.016	1.024	.276				.669	1.449	1.457	.394	
* 17X27X5	S	17,00	26,80	27,00	5,00	32	17X37X7	S	17,00	37,00	37,20	7,00	32
		.669	1.055	1.063	.197				.669	1.457	1.465	.276	
* 17X27X8	S	17,00	26,80	27,00	8,00	32	* 17X38X10	S	17,00	37,80	38,00	10,00	32
		.669	1.055	1.063	.315				.669	1.488	1.496	.394	
* 17X27X10	S	17,00	26,80	27,00	10,00	32	17X38X7	S	17,00	38,00	38,20	7,00	32
		.669	1.055	1.063	.394				.669	1.496	1.504	.276	
17X27X7	S	17,00	27,00	27,20	7,00	32	* 17X40X5	S	17,00	39,80	40,00	5,00	32
		.669	1.063	1.071	.276				.669	1.567	1.575	.197	
* 17X28X5	S	17,00	27,80	28,00	5,00	32	* 17X40X8	S	17,00	39,80	40,00	8,00	32
		.669	1.094	1.102	.197				.669	1.567	1.575	.315	
* 17X28X6	S	17,00	27,80	28,00	6,00	32	* 17X40X10	S	17,00	39,80	40,00	10,00	32
		.669	1.094	1.102	.236				.669	1.567	1.575	.394	
* 17X28X8	S	17,00	27,80	28,00	8,00	32	17X40X7	S	17,00	40,00	40,23	7,00	32
		.669	1.094	1.102	.315				.669	1.575	1.584	.276	
* 17X28X4.5	S	17,00	27,80	28,00	4,50	32	* 17X42X7	S	17,00	42,00	42,20	7,00	32
		.669	1.094	1.102	.177				.669	1.654	1.661	.276	
17X28X7	S	17,00	28,00	28,23	7,00	35	* 17X45X7	S	17,00	45,00	45,20	7,00	32
		.669	1.102	1.111	.276				.669	1.772	1.780	.276	
* 17X28X7V	V	17,00	28,00	28,20	7,00	35	* 17X46X6	S	17,00	45,80	46,00	6,00	32
		.669	1.102	1.110	.276				.669	1.803	1.811	.236	
* 17X29X5	S	17,00	28,80	29,00	5,00	32	* 17X46X7	S	17,00	46,00	46,20	7,00	32
		.669	1.134	1.142	.197				.669	1.811	1.819	.276	
* 17X29X7	S	17,00	29,00	29,20	7,00	32	* 17X47X10	S	17,00	46,80	47,00	10,00	32
		.669	1.142	1.150	.276				.669	1.842	1.850	.394	
* 17X30X5	S	17,00	29,80	30,00	5,00	32	17X47X7	S	17,00	47,00	47,20	7,00	35
		.669	1.173	1.181	.197				.669	1.850	1.858	.276	
* 17X30X6	S	17,00	29,80	30,00	6,00	32	17X47X8	S	17,00	47,00	47,20	8,00	32
		.669	1.173	1.181	.236				.669	1.850	1.858	.315	
* 17X30X6	S	17,00	29,80	30,00	6,00	32	* 17X28.5X7	S	17,00	28,30	28,50	7,00	32
		.669	1.173	1.181	.236				.669	1.114	1.122	.276	
* 17X30X8	S	17,00	29,80	30,00	8,00	32	* 17X34.5X4	S	17,00	34,30	34,50	4,00	32
		.669	1.173	1.181	.315				.669	1.350	1.358	.157	
* 17X30X10	S	17,00	29,80	30,00	10,00	32	* 17X31.75X8	S	17,00	31,55	31,75	8,00	32
		.669	1.173	1.181	.394				.669	1.242	1.250	.315	
17X30X7	S	17,00	30,00	30,23	7,00	32	* 17.5X32X6	S	17,50	31,80	32,00	6,00	32
		.669	1.181	1.190	.276				.689	1.252	1.260	.236	
* 17X30X7V	V	17,00	30,00	30,20	7,00	35	* 17.6X30X7	S	17,60	29,80	30,00	7,00	32
		.669	1.181	1.189	.276				.693	1.173	1.181	.276	
* 17X31X7	S	17,00	30,80	31,00	7,00	32	* 18X25X7	S	18,00	24,80	25,00	7,00	32
		.669	1.212	1.220	.276				.709	.976	.984	.276	
* 17X31X8	S	17,00	30,80	31,00	8,00	32	* 18X26X7	S	18,00	25,80	26,00	7,00	32
		.669	1.212	1.220	.315				.709	1.016	1.024	.276	
* 17X32X5	S	17,00	31,80	32,00	5,00	32	* 18X27X7	S	18,00	26,80	27,00	7,00	32
		.669	1.252	1.260	.197				.709	1.055	1.063	.276	
* 17X32X6	S	17,00	31,80	32,00	6,00	32	* 18X28X7	S	18,00	27,80	28,00	7,00	32
		.669	1.252	1.260	.236				.709	1.094	1.102	.276	
* 17X32X8	S	17,00	31,80	32,00	8,00	32	* 18X28X8	S	18,00	27,80	28,00	8,00	32
		.669	1.252	1.260	.315				.709	1.094	1.102	.315	
17X32X7	S	17,00	32,00	32,22	7,00	32	* 18X28X10	S	18,00	27,80	28,00	10,00	32
		.669	1.260	1.269	.276				.709	1.094	1.102	.394	
* 17X33X7	S	17,00	32,80	33,00	7,00	32	18X28X6	S	18,00	28,00	28,28	6,00	32
		.669	1.291	1.299	.276				.709	1.102	1.113	.236	
* 17X34X4	S	17,00	33,80	34,00	4,00	32	* 18X28X7V	V	18,00	28,00	28,20	7,00	35
		.669	1.331	1.339	.157				.709	1.102	1.110	.276	
* 17X34X7	S	17,00	33,80	34,00	7,00	32	* 18X29X7	S	18,00	28,80	29,00	7,00	32
		.669	1.331	1.339	.276				.709	1.134	1.142	.276	
* 17X35X6	S	17,00	34,80	35,00	6,00	32	* 18X30X6	S	18,00	29,80	30,00	6,00	32
		.669	1.370	1.378	.236				.709	1.173	1.181	.236	

NUMERICAL SECTION

For Illustration and Material Data See Technical Section

* The U.S. customer service number is 877-4-TIMKEN. The Canadian customer service numbers are 800-565-4927 (English) and 800-565-0438 (French-Canadian).

Part No.	Lip Mat'l	Shaft Size	Hsg. Bore	Seal O.D.	Seal Width	Type/ Illus.	Part No.	Lip Mat'l	Shaft Size	Hsg. Bore	Seal O.D.	Seal Width	Type/ Illus.
METRIC SERIES (cont.)							METRIC SERIES (cont.)						
* 18X30X6	S	18,00	29,80	30,00	6,00	32	19X32X7	S	19,00	32,00	32,20	7,00	35
		.709	1.173	1.181	.236				.748	1.260	1.268	.276	
* 18X30X8	S	18,00	29,80	30,00	8,00	32	19X32X8	S	19,00	32,00	32,20	8,00	32
		.709	1.173	1.181	.315				.748	1.260	1.268	.315	
* 18X30X10	S	18,00	29,80	30,00	10,00	32	* 19X33X8	S	19,00	32,80	33,00	8,00	32
		.709	1.173	1.181	.394				.748	1.291	1.299	.315	
18X30X7	S	18,00	30,00	30,23	7,00	32	* 19X34X7	S	19,00	33,80	34,00	7,00	32
		.709	1.181	1.190	.276				.748	1.331	1.339	.276	
* 18X31X7	S	18,00	30,80	31,00	7,00	32	* 19X35X7	S	19,00	34,80	35,00	7,00	32
		.709	1.212	1.220	.276				.748	1.370	1.378	.276	
* 18X32X6	S	18,00	31,80	32,00	6,00	32	* 19X35X8	S	19,00	34,80	35,00	8,00	32
		.709	1.252	1.260	.236				.748	1.370	1.378	.315	
* 18X32X10	S	18,00	31,80	32,00	10,00	32	19X35X10	S	19,00	35,00	35,23	10,00	32
		.709	1.252	1.260	.394				.748	1.378	1.387	.394	
18X32X7	S	18,00	32,00	32,20	7,00	35	* 19X36X7	S	19,00	35,80	36,00	7,00	32
		.709	1.260	1.268	.276				.748	1.409	1.417	.276	
* 18X32X7V	V	18,00	32,00	32,20	7,00	35	* 19X37X10	S	19,00	36,80	37,00	10,00	32
		.709	1.260	1.268	.276				.748	1.449	1.457	.394	
18X32X8	S	18,00	32,00	32,22	8,00	32	* 19X37X7	S	19,00	37,00	37,20	7,00	32
		.709	1.260	1.269	.315				.748	1.457	1.465	.276	
* 18X34X7	S	18,00	33,80	34,00	7,00	32	* 19X38X8	S	19,00	37,80	38,00	8,00	32
		.709	1.331	1.339	.276				.748	1.488	1.496	.315	
* 18X35X8	S	18,00	34,80	35,00	8,00	32	* 19X38X10	S	19,00	37,80	38,00	10,00	32
		.709	1.370	1.378	.315				.748	1.488	1.496	.394	
* 18X35X10	S	18,00	34,80	35,00	10,00	32	* 19X38X7	S	19,00	38,00	38,20	7,00	32
		.709	1.370	1.378	.394				.748	1.496	1.504	.276	
18X35X7	S	18,00	35,00	35,18	7,00	32	* 19X40X7	S	19,00	39,80	40,00	7,00	32
		.709	1.378	1.385	.276				.748	1.567	1.575	.276	
* 18X35X8V	V	18,00	35,00	35,20	8,00	35	19X40X10	S	19,00	40,00	40,23	10,00	35
		.709	1.378	1.386	.315				.748	1.575	1.584	.394	
* 18X36X7	S	18,00	36,00	36,20	7,00	32	* 19X41X7	S	19,00	40,80	41,00	7,00	32
		.709	1.417	1.425	.276				.748	1.606	1.614	.276	
* 18X37X7	S	18,00	36,80	37,00	7,00	32	* 19X42X7	S	19,00	42,00	42,20	7,00	32
		.709	1.449	1.457	.276				.748	1.654	1.661	.276	
18X37X8	S	18,00	37,00	37,20	8,00	32	* 19X45X7	S	19,00	45,00	45,20	7,00	32
		.709	1.457	1.465	.315				.748	1.772	1.780	.276	
* 18X38X10	S	18,00	37,80	38,00	10,00	32	* 19X46X7	S	19,00	46,00	46,20	7,00	32
		.709	1.488	1.496	.394				.748	1.811	1.819	.276	
18X38X7	S	18,00	38,00	38,20	7,00	32	19X47X7	S	19,00	47,00	47,20	7,00	32
		.709	1.496	1.504	.276				.748	1.850	1.858	.276	
* 18X40X10	S	18,00	39,80	40,00	10,00	32	* 19X33.5X7	S	19,00	33,30	33,50	7,00	32
		.709	1.567	1.575	.394				.748	1.311	1.319	.276	
18X40X7	S	18,00	40,00	40,22	7,00	32	* 19.5X35X6	S	19,50	34,80	35,00	6,00	32
		.709	1.575	1.583	.276				.768	1.370	1.378	.236	
* 18X40X7V	V	18,00	40,00	40,20	7,00	35	* 19.8X30X5	S	19,80	29,80	30,00	5,00	32
		.709	1.575	1.583	.276				.780	1.173	1.181	.197	
* 18X42X7	S	18,00	41,80	42,00	7,00	32	* 20X25X7	S	20,00	24,80	25,00	7,00	32
		.709	1.646	1.654	.276				.787	.976	.984	.276	
* 18X42X10	S	18,00	41,80	42,00	10,00	32	* 20X26X4	S	20,00	25,80	26,00	4,00	32
		.709	1.646	1.654	.394				.787	1.016	1.024	.157	
* 19X25X6	S	19,00	24,80	25,00	6,00	32	* 20X26X5	S	20,00	25,80	26,00	5,00	32
		.748	.976	.984	.236				.787	1.016	1.024	.197	
* 19X27X5	S	19,00	26,80	27,00	5,00	32	* 20X26X5.6	S	20,00	25,80	26,00	5,60	32
		.748	1.055	1.063	.197				.787	1.016	1.024	.220	
* 19X27X10	S	19,00	26,80	27,00	10,00	32	* 20X27X5	S	20,00	26,80	27,00	5,00	32
		.748	1.055	1.063	.394				.787	1.055	1.063	.197	
19X27X6	S	19,00	27,00	27,20	6,00	35	* 20X28X4	S	20,00	27,80	28,00	4,00	32
		.748	1.063	1.071	.236				.787	1.094	1.102	.157	
* 19X28X7	S	19,00	27,80	28,00	7,00	32	* 20X28X7	S	20,00	27,80	28,00	7,00	32
		.748	1.094	1.102	.276				.787	1.094	1.102	.276	
* 19X29X7	S	19,00	28,80	29,00	7,00	32	20X28X6	S	20,00	28,00	28,20	6,00	32
		.748	1.134	1.142	.276				.787	1.102	1.110	.236	
19X30X7	S	19,00	30,00	30,20	7,00	32	* 20X30X6	S	20,00	29,80	30,00	6,00	32
		.748	1.181	1.189	.276				.787	1.173	1.181	.236	
* 19X32X5	S	19,00	31,80	32,00	5,00	32	* 20X30X9	S	20,00	29,80	30,00	9,00	32
		.748	1.252	1.260	.197				.787	1.173	1.181	.354	
* 19X32X6	S	19,00	31,80	32,00	6,00	32	* 20X30X10	S	20,00	29,80	30,00	10,00	32
		.748	1.252	1.260	.236				.787	1.173	1.181	.394	
* 19X32X10	S	19,00	31,80	32,00	10,00	32	* 20X30X4.5	S	20,00	29,80	30,00	4,50	32
		.748	1.252	1.260	.394				.787	1.173	1.181	.177	

For Illustration and Material Data See Technical Section

* The U.S. customer service number is 877-4-TIMKEN. The Canadian customer service numbers are 800-565-4927 (English) and 800-565-0438 (French-Canadian).

Numerical List Size & Type

Part No.	Lip Mat'l	Shaft Size	Hsg. Bore	Seal O.D.	Seal Width	Type/ Illus.	Part No.	Lip Mat'l	Shaft Size	Hsg. Bore	Seal O.D.	Seal Width	Type/ Illus.
METRIC SERIES (cont.)							METRIC SERIES (cont.)						
20X30X5	S	20,00	30,00	30,20	5,00	35	*20X40X12	S	20,00	39,80	40,00	12,00	32
		.787	1.181	1.189	.197				.787	1.567	1.575	.472	
*20X30X5V	V	20,00	30,00	30,20	5,00	35	20X40X7	S	20,00	40,00	40,23	7,00	32
		.787	1.181	1.189	.197				.787	1.575	1.584	.276	
*20X30X5.5	S	20,00	29,80	30,00	5,50	32	*20X40X7V	V	20,00	40,00	40,20	7,00	32
		.787	1.173	1.181	.217				.787	1.575	1.583	.276	
20X30X7	S	20,00	30,00	30,28	7,00	35	20X40X10	S	20,00	40,00	40,23	10,00	35
		.787	1.181	1.192	.276				.787	1.575	1.584	.394	
*20X30X7V	V	20,00	30,00	30,20	7,00	35	*20X42X6	S	20,00	41,80	42,00	6,00	32
		.787	1.181	1.189	.276				.787	1.646	1.654	.236	
*20X31X5	S	20,00	30,80	31,00	5,00	32	*20X42X8	S	20,00	41,80	42,00	8,00	32
		.787	1.212	1.220	.197				.787	1.646	1.654	.315	
*20X31X7	S	20,00	31,00	31,20	7,00	32	20X42X7	S	20,00	42,00	42,25	7,00	32
		.787	1.220	1.228	.276				.787	1.654	1.663	.276	
*20X32X5	S	20,00	31,80	32,00	5,00	32	*20X42X7V	V	20,00	42,00	42,25	7,00	35
		.787	1.252	1.260	.197				.787	1.654	1.663	.276	
*20X32X6	S	20,00	31,80	32,00	6,00	32	20X42X10	S	20,00	42,00	42,15	10,00	45
		.787	1.252	1.260	.236				.787	1.654	1.659	.394	
*20X32X8	S	20,00	31,80	32,00	8,00	32	*20X44X7	S	20,00	43,80	44,00	7,00	32
		.787	1.252	1.260	.315				.787	1.724	1.732	.276	
*20X32X10	S	20,00	31,80	32,00	10,00	32	*20X45X7	S	20,00	44,80	45,00	7,00	32
		.787	1.252	1.260	.394				.787	1.764	1.772	.276	
20X32X7	S	20,00	32,00	32,23	7,00	32	*20X45X8	S	20,00	44,80	45,00	8,00	32
		.787	1.260	1.269	.276				.787	1.764	1.772	.315	
*20X32X7.5	S	20,00	31,80	32,00	7,50	32	*20X45X10	S	20,00	44,80	45,00	10,00	32
		.787	1.252	1.260	.295				.787	1.764	1.772	.394	
*20X33X7	S	20,00	32,80	33,00	7,00	32	*20X45X12	S	20,00	44,80	45,00	12,00	32
		.787	1.291	1.299	.276				.787	1.764	1.772	.472	
*20X33X10	S	20,00	32,80	33,00	10,00	32	*20X46X8	S	20,00	45,80	46,00	8,00	32
		.787	1.291	1.299	.394				.787	1.803	1.811	.315	
*20X34X7	S	20,00	33,80	34,00	7,00	32	*20X46X7	S	20,00	46,00	46,20	7,00	32
		.787	1.331	1.339	.276				.787	1.811	1.819	.276	
*20X35X6	S	20,00	34,80	35,00	6,00	32	*20X47X6	S	20,00	46,80	47,00	6,00	32
		.787	1.370	1.378	.236				.787	1.842	1.850	.236	
*20X35X8	S	20,00	34,80	35,00	8,00	32	*20X47X8	S	20,00	46,80	47,00	8,00	32
		.787	1.370	1.378	.315				.787	1.842	1.850	.315	
*20X35X10	S	20,00	34,80	35,00	10,00	32	*20X47X9	S	20,00	46,80	47,00	9,00	32
		.787	1.370	1.378	.394				.787	1.842	1.850	.354	
20X35X7	S	20,00	35,00	35,23	7,00	32	*20X47X10	S	20,00	46,80	47,00	10,00	32
		.787	1.378	1.387	.276				.787	1.842	1.850	.394	
*20X36X8	S	20,00	35,80	36,00	8,00	32	*20X47X12	S	20,00	46,80	47,00	12,00	32
		.787	1.409	1.417	.315				.787	1.842	1.850	.472	
*20X36X10	S	20,00	35,80	36,00	10,00	32	*20X47X13	S	20,00	46,80	47,00	13,00	32
		.787	1.409	1.417	.394				.787	1.842	1.850	.512	
*20X36X12	S	20,00	35,80	36,00	12,00	32	20X47X7	S	20,00	47,00	47,22	7,00	32
		.787	1.409	1.417	.472				.787	1.850	1.859	.276	
20X36X7	S	20,00	36,00	36,20	7,00	32	*20X47X7V	V	20,00	47,00	47,20	7,00	35
		.787	1.417	1.425	.276				.787	1.850	1.858	.276	
*20X37X6	S	20,00	36,80	37,00	6,00	32	*20X48X8	S	20,00	47,80	48,00	8,00	32
		.787	1.449	1.457	.236				.787	1.882	1.890	.315	
*20X37X10	S	20,00	36,80	37,00	10,00	32	*20X48X10	S	20,00	47,80	48,00	10,00	32
		.787	1.449	1.457	.394				.787	1.882	1.890	.394	
20X37X7	S	20,00	37,00	37,20	7,00	32	*20X48X7	S	20,00	48,00	48,20	7,00	32
		.787	1.457	1.465	.276				.787	1.890	1.898	.276	
20X37X8	S	20,00	37,00	37,20	8,00	32	*20X49X7	S	20,00	48,80	49,00	7,00	32
		.787	1.457	1.465	.315				.787	1.921	1.929	.276	
*20X38X5	S	20,00	37,80	38,00	5,00	32	*20X50X8	S	20,00	49,80	50,00	8,00	32
		.787	1.488	1.496	.197				.787	1.961	1.969	.315	
*20X38X8	S	20,00	37,80	38,00	8,00	32	*20X50X10	S	20,00	49,80	50,00	10,00	32
		.787	1.488	1.496	.315				.787	1.961	1.969	.394	
*20X38X10	S	20,00	37,80	38,00	10,00	32	*20X50X7	S	20,00	50,00	50,20	7,00	32
		.787	1.488	1.496	.394				.787	1.969	1.976	.276	
20X38X7	S	20,00	38,00	38,20	7,00	32	*20X52X8	S	20,00	51,75	52,00	8,00	32
		.787	1.496	1.504	.276				.787	2.037	2.047	.315	
*20X39X6	S	20,00	38,80	39,00	6,00	32	*20X52X9	S	20,00	51,75	52,00	9,00	32
		.787	1.527	1.535	.236				.787	2.037	2.047	.354	
*20X40X8	S	20,00	39,80	40,00	8,00	32	*20X52X10	S	20,00	51,75	52,00	10,00	32
		.787	1.567	1.575	.315				.787	2.037	2.047	.394	
*20X40X9	S	20,00	39,80	40,00	9,00	32	*20X52X12	S	20,00	51,75	52,00	12,00	32
		.787	1.567	1.575	.354				.787	2.037	2.047	.472	

NUMERICAL SECTION

For Illustration and Material Data See Technical Section

* The U.S. customer service number is 877-4-TIMKEN. The Canadian customer service numbers are 800-565-4927 (English) and 800-565-0438 (French-Canadian).

Part No.	Lip Mat'l	Shaft Size	Hsg. Bore	Seal O.D.	Seal Width	Type/ Illus.	Part No.	Lip Mat'l	Shaft Size	Hsg. Bore	Seal O.D.	Seal Width	Type/ Illus.
METRIC SERIES (cont.)							METRIC SERIES (cont.)						
20X52X7	S	20,00	52,00	52,20	7,00	32	*22X35X10	S	22,00	34,80	35,00	10,00	32
		.787	2.047	2.055	.276			.866	1.370	1.378	.394		
*20X37.7X7	S	20,00	37,50	37,70	7,00	32	22X35X7	S	22,00	35,00	35,23	7,00	32
		.787	1.476	1.484	.276			.866	1.378	1.387	.276		
*20X39.8X6.5	S	20,00	39,60	39,80	6,50	32	*22X35X7V	V	22,00	35,00	35,20	7,00	35
		.787	1.559	1.567	.256			.866	1.378	1.386	.276		
*20X41.25X7	S	20,00	41,05	41,25	7,00	32	*22X36X8	S	22,00	35,80	36,00	8,00	32
		.787	1.616	1.624	.276			.866	1.409	1.417	.315		
*21X31X7	S	21,00	30,80	31,00	7,00	32	*22X36X10	S	22,00	35,80	36,00	10,00	32
		.827	1.212	1.220	.276			.866	1.409	1.417	.394		
*21X32X5	S	21,00	31,80	32,00	5,00	32	22X36X7	S	22,00	36,00	36,20	7,00	32
		.827	1.252	1.260	.197			.866	1.417	1.425	.276		
*21X33X7	S	21,00	32,80	33,00	7,00	32	*22X37X6	S	22,00	36,80	37,00	6,00	32
		.827	1.291	1.299	.276			.866	1.449	1.457	.236		
21X35X7	S	21,00	35,00	35,20	7,00	32	22X37X7	S	22,00	37,00	37,23	7,00	35
		.827	1.378	1.386	.276			.866	1.457	1.466	.276		
21X35X8	S	21,00	35,00	35,20	8,00	32	22X38X7	S	22,00	38,00	38,20	7,00	35
		.827	1.378	1.386	.315			.866	1.496	1.504	.276		
*21X36X8	S	21,00	36,00	36,20	8,00	32	*22X38X7V	V	22,00	38,00	38,20	7,00	35
		.827	1.417	1.425	.315			.866	1.496	1.504	.276		
*21X37X7	S	21,00	36,80	37,00	7,00	32	22X38X8	S	22,00	38,00	38,20	8,00	32
		.827	1.449	1.457	.276			.866	1.496	1.504	.315		
*21X37X5.5	S	21,00	36,80	37,00	5,50	32	*22X39X7	S	22,00	38,80	39,00	7,00	32
		.827	1.449	1.457	.217			.866	1.527	1.535	.276		
*21X37X8	S	21,00	37,00	37,20	8,00	32	*22X40X4	S	22,00	39,80	40,00	4,00	32
		.827	1.457	1.465	.315			.866	1.567	1.575	.157		
*21X38X8	S	21,00	38,00	38,20	8,00	32	*22X40X10	S	22,00	39,80	40,00	10,00	32
		.827	1.496	1.504	.315			.866	1.567	1.575	.394		
*21X40X7	S	21,00	39,80	40,00	7,00	32	*22X40X11	S	22,00	39,80	40,00	11,00	32
		.827	1.567	1.575	.276			.866	1.567	1.575	.433		
*21X40X8	S	21,00	40,00	40,20	8,00	32	*22X40X12	S	22,00	39,80	40,00	12,00	32
		.827	1.575	1.583	.315			.866	1.567	1.575	.472		
*21X52X8	S	21,00	52,00	52,20	8,00	32	22X40X7	S	22,00	40,00	40,23	7,00	32
		.827	2.047	2.055	.315			.866	1.575	1.584	.276		
*21.5X35X8	S	21,50	34,80	35,00	8,00	32	*22X40X7V	V	22,00	40,00	40,20	7,00	32
		.846	1.370	1.378	.315			.866	1.575	1.583	.276		
*21.7X35X6.5	S	21,70	34,80	35,00	6,50	32	22X40X8	S	22,00	40,00	40,20	8,00	35
		.854	1.370	1.378	.256			.866	1.575	1.583	.315		
*22X28X8	S	22,00	28,00	28,20	8,00	32	*22X42X6	S	22,00	41,80	42,00	6,00	32
		.866	1.102	1.110	.315			.866	1.646	1.654	.236		
*22X30X7	S	22,00	29,80	30,00	7,00	32	*22X42X11	S	22,00	41,80	42,00	11,00	32
		.866	1.173	1.181	.276			.866	1.646	1.654	.433		
*22X30X8	S	22,00	29,80	30,00	8,00	32	22X42X7	S	22,00	42,00	42,20	7,00	32
		.866	1.173	1.181	.315			.866	1.654	1.661	.276		
*22X31X7	S	22,00	30,80	31,00	7,00	32	22X42X10	S	22,00	42,00	42,20	10,00	35
		.866	1.212	1.220	.276			.866	1.654	1.661	.394		
22X31X6	S	22,00	31,00	31,20	6,00	32	*22X44X7	S	22,00	43,80	44,00	7,00	32
		.866	1.220	1.228	.236			.866	1.724	1.732	.276		
*22X31X8	S	22,00	31,00	31,20	8,00	32	*22X45X5	S	22,00	44,80	45,00	5,00	32
		.866	1.220	1.228	.315			.866	1.764	1.772	.197		
*22X32X5	S	22,00	31,80	32,00	5,00	32	*22X45X8	S	22,00	44,80	45,00	8,00	32
		.866	1.252	1.260	.197			.866	1.764	1.772	.315		
*22X32X6	S	22,00	31,80	32,00	6,00	32	*22X45X10	S	22,00	44,80	45,00	10,00	32
		.866	1.252	1.260	.236			.866	1.764	1.772	.394		
22X32X7	S	22,00	32,00	32,23	7,00	32	22X45X7	S	22,00	45,00	45,23	7,00	35
		.866	1.260	1.269	.276			.866	1.772	1.781	.276		
*22X32X7V	V	22,00	32,00	32,20	7,00	35	*22X46X8	S	22,00	46,00	46,20	8,00	32
		.866	1.260	1.268	.276			.866	1.811	1.819	.315		
*22X33X7	S	22,00	32,80	33,00	7,00	32	*22X47X10	S	22,00	46,80	47,00	10,00	32
		.866	1.291	1.299	.276			.866	1.842	1.850	.394		
*22X33X10	S	22,00	32,80	33,00	10,00	32	22X47X7	S	22,00	47,00	47,23	7,00	32
		.866	1.291	1.299	.394			.866	1.850	1.859	.276		
*22X34X7	S	22,00	33,80	34,00	7,00	32	*22X48X7	S	22,00	47,80	48,00	7,00	32
		.866	1.331	1.339	.276			.866	1.882	1.890	.276		
*22X35X5	S	22,00	34,80	35,00	5,00	32	*22X48X11	S	22,00	47,80	48,00	11,00	32
		.866	1.370	1.378	.197			.866	1.882	1.890	.433		
*22X35X8	S	22,00	34,80	35,00	8,00	32	*22X48X8	S	22,00	48,00	48,20	8,00	32
		.866	1.370	1.378	.315			.866	1.890	1.898	.315		
*22X35X9	S	22,00	34,80	35,00	9,00	32	*22X50X5	S	22,00	49,80	50,00	5,00	32
		.866	1.370	1.378	.354			.866	1.961	1.969	.197		

For Illustration and Material Data See Technical Section

* The U.S. customer service number is 877-4-TIMKEN. The Canadian customer service numbers are 800-565-4927 (English) and 800-565-0438 (French-Canadian).

Numerical List Size & Type

Part No.	Lip Mat'l	Shaft Size	Hsg. Bore	Seal O.D.	Seal Width	Type/ Illus.	Part No.	Lip Mat'l	Shaft Size	Hsg. Bore	Seal O.D.	Seal Width	Type/ Illus.
METRIC SERIES (cont.)							METRIC SERIES (cont.)						
*22X50X10	S	22,00	49,80	50,00	10,00	32	24X38X7	S	24,00	38,00	38,20	7,00	32
		.866	1.961	1.969	.394				.945	1.496	1.504	.276	
*22X50X8	S	22,00	50,00	50,20	8,00	32	*24X38X8.5	S	24,00	37,80	38,00	8,50	32
		.866	1.969	1.976	.315				.945	1.488	1.496	.335	
*22X52X10	S	22,00	51,75	52,00	10,00	32	*24X40X8	S	24,00	39,80	40,00	8,00	32
		.866	2.037	2.047	.394				.945	1.567	1.575	.315	
*22X52X8	S	22,00	52,00	52,20	8,00	32	*24X40X6V	V	24,00	40,00	40,20	6,00	35
		.866	2.047	2.055	.315				.945	1.575	1.583	.236	
*22X56X7	S	22,00	55,75	56,00	7,00	32	24X40X7	S	24,00	40,00	40,23	7,00	32
		.866	2.195	2.205	.276				.945	1.575	1.584	.276	
*22X41.5X6	S	22,00	41,30	41,50	6,00	32	24X42X7	S	24,00	42,00	42,20	7,00	32
		.866	1.626	1.634	.236				.945	1.654	1.661	.276	
*22X41.25X6	S	22,00	41,05	41,25	6,00	32	*24X42X8	S	24,00	42,00	42,25	8,00	35
		.866	1.616	1.624	.236				.945	1.654	1.663	.315	
*23X32X7	S	23,00	31,80	32,00	7,00	32	24X42X10	S	24,00	42,00	42,25	10,00	32
		.906	1.252	1.260	.276				.945	1.654	1.663	.394	
*23X35X7	S	23,00	34,80	35,00	7,00	32	*24X43X6	S	24,00	42,80	43,00	6,00	32
		.906	1.370	1.378	.276				.945	1.685	1.693	.236	
*23X36X6	S	23,00	35,80	36,00	6,00	32	*24X43X7	S	24,00	42,80	43,00	7,00	32
		.906	1.409	1.417	.236				.945	1.685	1.693	.276	
*23X36X7	S	23,00	35,80	36,00	7,00	32	*24X45X6	S	24,00	44,80	45,00	6,00	32
		.906	1.409	1.417	.276				.945	1.764	1.772	.236	
*23X36X10	S	23,00	35,80	36,00	10,00	32	*24X45X7	S	24,00	44,80	45,00	7,00	32
		.906	1.409	1.417	.394				.945	1.764	1.772	.276	
*23X36X13	S	23,00	35,80	36,00	13,00	32	*24X45X11	S	24,00	44,80	45,00	11,00	32
		.906	1.409	1.417	.512				.945	1.764	1.772	.433	
*23X37X7	S	23,00	36,80	37,00	7,00	32	*24X45X8	S	24,00	45,00	45,20	8,00	32
		.906	1.449	1.457	.276				.945	1.772	1.780	.315	
*23X38X7	S	23,00	37,80	38,00	7,00	32	*24X46X10	S	24,00	45,80	46,00	10,00	32
		.906	1.488	1.496	.276				.945	1.803	1.811	.394	
*23X40X6	S	23,00	39,80	40,00	6,00	32	*24X46X8	S	24,00	46,00	46,20	8,00	32
		.906	1.567	1.575	.236				.945	1.811	1.819	.315	
*23X40X10	S	23,00	39,80	40,00	10,00	32	*24X47X10	S	24,00	46,80	47,00	10,00	32
		.906	1.567	1.575	.394				.945	1.842	1.850	.394	
*23X42X7	S	23,00	41,80	42,00	7,00	32	24X47X7	S	24,00	47,00	47,23	7,00	32
		.906	1.646	1.654	.276				.945	1.850	1.859	.276	
*23X43X8	S	23,00	42,80	43,00	8,00	32	*24X48X7	S	24,00	47,80	48,00	7,00	32
		.906	1.685	1.693	.315				.945	1.882	1.890	.276	
*23X47X7	S	23,00	46,80	47,00	7,00	32	*24X48X8	S	24,00	48,00	48,20	8,00	32
		.906	1.842	1.850	.276				.945	1.890	1.898	.315	
*23X47X8	S	23,00	46,80	47,00	8,00	32	*24X49X12	S	24,00	48,80	49,00	12,00	32
		.906	1.842	1.850	.315				.945	1.921	1.929	.472	
*23X47X10	S	23,00	46,80	47,00	10,00	32	*24X50X8	S	24,00	50,00	50,20	8,00	32
		.906	1.842	1.850	.394				.945	1.969	1.976	.315	
*24X32X4	S	24,00	31,80	32,00	4,00	32	24X52X7	S	24,00	52,00	52,20	7,00	32
		.945	1.252	1.260	.157				.945	2.047	2.055	.276	
*24X32X7	S	24,00	31,80	32,00	7,00	32	*24X77X18	S	24,00	76,72	77,00	18,00	32
		.945	1.252	1.260	.276				.945	3.020	3.031	.709	
*24X33X7	S	24,00	32,80	33,00	7,00	32	*25X32X4	S	25,00	31,80	32,00	4,00	32
		.945	1.291	1.299	.276				.984	1.252	1.260	.157	
*24X34X7	S	24,00	33,80	34,00	7,00	32	*25X32X6	S	25,00	31,80	32,00	6,00	32
		.945	1.331	1.339	.276				.984	1.252	1.260	.236	
*24X35X6	S	24,00	34,80	35,00	6,00	32	*25X32X7	S	25,00	31,80	32,00	7,00	32
		.945	1.370	1.378	.236				.984	1.252	1.260	.276	
*24X35X8	S	24,00	34,80	35,00	8,00	32	*25X33X6	S	25,00	32,80	33,00	6,00	32
		.945	1.370	1.378	.315				.984	1.291	1.299	.236	
24X35X7	S	24,00	35,00	35,23	7,00	32	*25X34X5	S	25,00	33,80	34,00	5,00	32
		.945	1.378	1.387	.276				.984	1.331	1.339	.197	
*24X36X7	S	24,00	35,80	36,00	7,00	32	*25X35X5	S	25,00	34,80	35,00	5,00	32
		.945	1.409	1.417	.276				.984	1.370	1.378	.197	
*24X36X8	S	24,00	35,80	36,00	8,00	32	*25X35X8	S	25,00	34,80	35,00	8,00	32
		.945	1.409	1.417	.315				.984	1.370	1.378	.315	
*24X36X7V	V	24,00	36,00	36,20	7,00	35	*25X35X9	S	25,00	34,80	35,00	9,00	32
		.945	1.417	1.425	.276				.984	1.370	1.378	.354	
24X37X7	S	24,00	37,00	37,23	7,00	35	*25X35X10	S	25,00	34,80	35,00	10,00	32
		.945	1.457	1.466	.276				.984	1.370	1.378	.394	
*24X38X8	S	24,00	37,80	38,00	8,00	32	25X35X6	S	25,00	35,00	35,20	6,00	32
		.945	1.488	1.496	.315				.984	1.378	1.386	.236	
*24X38X10	S	24,00	37,80	38,00	10,00	32	25X35X7	S	25,00	35,00	35,25	7,00	35
		.945	1.488	1.496	.394				.984	1.378	1.388	.276	

NUMERICAL SECTION

For Illustration and Material Data See Technical Section

* The U.S. customer service number is 877-4-TIMKEN. The Canadian customer service numbers are 800-565-4927 (English) and 800-565-0438 (French-Canadian).

Part No.	Lip Mat'l	Shaft Size	Hsg. Bore	Seal O.D.	Seal Width	Type/ Illus.	Part No.	Lip Mat'l	Shaft Size	Hsg. Bore	Seal O.D.	Seal Width	Type/ Illus.
METRIC SERIES (cont.)							METRIC SERIES (cont.)						
*25X35X7V	V	25,00	35,00	35,10	7,00	48	*25X43X7	S	25,00	42,80	43,00	7,00	32
		.984	1.378	1.382	.276			.984	1.685	1.693	.276		
*25X35X8.5	S	25,00	34,80	35,00	8,50	32	*25X43X9	S	25,00	42,80	43,00	9,00	32
		.984	1.370	1.378	.335			.984	1.685	1.693	.354		
*25X36X6	S	25,00	35,80	36,00	6,00	32	*25X43X10	S	25,00	42,80	43,00	10,00	32
		.984	1.409	1.417	.236			.984	1.685	1.693	.394		
25X36X7	S	25,00	36,00	36,23	7,00	32	*25X44X7	S	25,00	43,80	44,00	7,00	32
		.984	1.417	1.426	.276			.984	1.724	1.732	.276		
25X36X8	S	25,00	36,00	36,22	8,00	32	*25X44X8	S	25,00	43,80	44,00	8,00	32
		.984	1.417	1.426	.315			.984	1.724	1.732	.315		
*25X37X5	S	25,00	36,80	37,00	5,00	32	*25X45X7	S	25,00	44,80	45,00	7,00	32
		.984	1.449	1.457	.197			.984	1.764	1.772	.276		
*25X37X6	S	25,00	36,80	37,00	6,00	32	*25X45X9	S	25,00	44,80	45,00	9,00	32
		.984	1.449	1.457	.236			.984	1.764	1.772	.354		
*25X37X8	S	25,00	36,80	37,00	8,00	32	*25X45X10	S	25,00	44,80	45,00	10,00	32
		.984	1.449	1.457	.315			.984	1.764	1.772	.394		
*25X37X5V	V	25,00	37,00	37,20	5,00	35	*25X45X11	S	25,00	44,80	45,00	11,00	32
		.984	1.457	1.465	.197			.984	1.764	1.772	.433		
25X37X7	S	25,00	37,00	37,20	7,00	32	*25X45X12	S	25,00	44,80	45,00	12,00	32
		.984	1.457	1.465	.276			.984	1.764	1.772	.472		
*25X38X6	S	25,00	37,80	38,00	6,00	32	25X45X8	S	25,00	45,00	45,23	8,00	32
		.984	1.488	1.496	.236			.984	1.772	1.781	.315		
*25X38X8	S	25,00	37,80	38,00	8,00	32	25X46X7	S	25,00	46,00	46,20	7,00	32
		.984	1.488	1.496	.315			.984	1.811	1.819	.276		
*25X38X10	S	25,00	37,80	38,00	10,00	32	*25X46X8	S	25,00	46,00	46,20	8,00	32
		.984	1.488	1.496	.394			.984	1.811	1.819	.315		
25X38X7	S	25,00	38,00	38,23	7,00	32	*25X47X6	S	25,00	46,80	47,00	6,00	32
		.984	1.496	1.505	.276			.984	1.842	1.850	.236		
*25X38X7V	V	25,00	38,00	38,20	7,00	35	*25X47X8	S	25,00	46,80	47,00	8,00	32
		.984	1.496	1.504	.276			.984	1.842	1.850	.315		
*25X39X8	S	25,00	38,80	39,00	8,00	32	*25X47X10	S	25,00	46,80	47,00	10,00	32
		.984	1.527	1.535	.315			.984	1.842	1.850	.394		
*25X40X5	S	25,00	39,80	40,00	5,00	32	25X47X7	S	25,00	47,00	47,23	7,00	32
		.984	1.567	1.575	.197			.984	1.850	1.859	.276		
*25X40X6	S	25,00	39,80	40,00	6,00	32	*25X47X10V	V	25,00	47,00	47,20	10,00	35
		.984	1.567	1.575	.236			.984	1.850	1.858	.394		
*25X40X6	S	25,00	39,80	40,00	6,00	32	*25X48X7	S	25,00	47,80	48,00	7,00	32
		.984	1.567	1.575	.236			.984	1.882	1.890	.276		
*25X40X8	S	25,00	39,80	40,00	8,00	32	*25X48X10	S	25,00	47,80	48,00	10,00	32
		.984	1.567	1.575	.315			.984	1.882	1.890	.394		
*25X40X10	S	25,00	39,80	40,00	10,00	32	25X48X8	S	25,00	48,00	48,20	8,00	32
		.984	1.567	1.575	.394			.984	1.890	1.898	.315		
*25X40X11	S	25,00	39,80	40,00	11,00	32	*25X49X10	S	25,00	48,80	49,00	10,00	32
		.984	1.567	1.575	.433			.984	1.921	1.929	.394		
*25X40X12	S	25,00	39,80	40,00	12,00	32	*25X50X12	S	25,00	49,80	50,00	12,00	32
		.984	1.567	1.575	.472			.984	1.961	1.969	.472		
25X40X7	S	25,00	40,00	40,22	7,00	32	25X50X8	S	25,00	50,00	50,20	8,00	32
		.984	1.575	1.583	.276			.984	1.969	1.976	.315		
*25X40X7V	V	25,00	40,00	40,20	7,00	35	25X50X10	S	25,00	50,00	50,28	10,00	35
		.984	1.575	1.583	.276			.984	1.969	1.980	.394		
*25X41X6	S	25,00	40,80	41,00	6,00	32	*25X50X10V	V	25,00	50,00	50,20	10,00	35
		.984	1.606	1.614	.236			.984	1.969	1.976	.394		
*25X41X7	S	25,00	40,80	41,00	7,00	32	*25X52X12	S	25,00	51,75	52,00	12,00	32
		.984	1.606	1.614	.276			.984	2.037	2.047	.472		
*25X42X7	S	25,00	41,80	42,00	7,00	32	25X52X7	S	25,00	52,00	52,27	7,00	32
		.984	1.646	1.654	.276			.984	2.047	2.058	.276		
*25X42X12	S	25,00	41,80	42,00	12,00	32	*25X52X7V	V	25,00	52,00	52,20	7,00	35
		.984	1.646	1.654	.472			.984	2.047	2.055	.276		
*25X42X5.5	S	25,00	41,80	42,00	5,50	32	25X52X8	S	25,00	52,00	52,20	8,00	35
		.984	1.646	1.654	.217			.984	2.047	2.055	.315		
25X42X6	S	25,00	42,00	42,20	6,00	32	*25X52X9.5	S	25,00	51,75	52,00	9,50	32
		.984	1.654	1.661	.236			.984	2.037	2.047	.374		
*25X42X7V	V	25,00	42,00	42,20	7,00	32	25X52X10	S	25,00	52,00	52,20	10,00	35
		.984	1.654	1.661	.276			.984	2.047	2.055	.394		
25X42X8	S	25,00	42,00	42,20	8,00	32	*25X53X10	S	25,00	52,75	53,00	10,00	32
		.984	1.654	1.661	.315			.984	2.077	2.087	.394		
*25X42X8.5	S	25,00	41,80	42,00	8,50	32	*25X54X8	S	25,00	54,00	54,20	8,00	32
		.984	1.646	1.654	.335			.984	2.126	2.134	.315		
25X42X10	S	25,00	42,00	42,28	10,00	35	*25X55X10	S	25,00	54,75	55,00	10,00	32
		.984	1.654	1.665	.394			.984	2.155	2.165	.394		

For Illustration and Material Data See Technical Section

* The U.S. customer service number is 877-4-TIMKEN. The Canadian customer service numbers are 800-565-4927 (English) and 800-565-0438 (French-Canadian).

Numerical List Size & Type

Part No.	Lip Mat'l	Shaft Size	Hsg. Bore	Seal O.D.	Seal Width	Type/ Illus.	Part No.	Lip Mat'l	Shaft Size	Hsg. Bore	Seal O.D.	Seal Width	Type/ Illus.
METRIC SERIES (cont.)							METRIC SERIES (cont.)						
*25X55X12	S	25,00	54,75	55,00	12,00	32	*26X42X8	S	26,00	41,80	42,00	8,00	32
		.984	2.155	2.165	.472				1.024	1.646	1.654	.315	
*25X55X8	S	25,00	55,00	55,20	8,00	32	26X42X7	S	26,00	42,00	42,20	7,00	32
		.984	2.165	2.173	.315				1.024	1.654	1.661	.276	
*25X56X8	S	25,00	56,00	56,20	8,00	32	26X42X10	S	26,00	42,00	42,23	10,00	32
		.984	2.205	2.213	.315				1.024	1.654	1.663	.394	
*25X58X10	S	25,00	57,75	58,00	10,00	32	*26X43X8	S	26,00	42,80	43,00	8,00	32
		.984	2.273	2.283	.394				1.024	1.685	1.693	.315	
*25X58X8	S	25,00	58,00	58,20	8,00	32	*26X44X7	S	26,00	43,80	44,00	7,00	32
		.984	2.283	2.291	.315				1.024	1.724	1.732	.276	
*25X60X10	S	25,00	59,75	60,00	10,00	32	*26X45X7	S	26,00	44,80	45,00	7,00	32
		.984	2.352	2.362	.394				1.024	1.764	1.772	.276	
*25X60X8	S	25,00	60,00	60,20	8,00	32	*26X45X10	S	26,00	44,80	45,00	10,00	32
		.984	2.362	2.370	.315				1.024	1.764	1.772	.394	
*25X62X8	S	25,00	61,75	62,00	8,00	32	*26X45X8	S	26,00	45,00	45,20	8,00	32
		.984	2.431	2.441	.315				1.024	1.772	1.780	.315	
25X62X7	S	25,00	62,00	62,20	7,00	32	*26X46X8	S	26,00	46,00	46,20	8,00	32
		.984	2.441	2.449	.276				1.024	1.811	1.819	.315	
*25X62X7V	V	25,00	62,00	62,20	7,00	35	*26X47X6	S	26,00	46,80	47,00	6,00	32
		.984	2.441	2.449	.276				1.024	1.842	1.850	.236	
25X62X10	S	25,00	62,00	62,28	10,00	32	*26X47X8	S	26,00	46,80	47,00	8,00	32
		.984	2.441	2.452	.394				1.024	1.842	1.850	.315	
*25X65X10	S	25,00	64,75	65,00	10,00	32	*26X47X10	S	26,00	46,80	47,00	10,00	32
		.984	2.549	2.559	.394				1.024	1.842	1.850	.394	
*25X66X8.5	S	25,00	65,75	66,00	8,50	32	*26X47X11	S	26,00	46,80	47,00	11,00	32
		.984	2.588	2.598	.335				1.024	1.842	1.850	.433	
*25X70X10	S	25,00	69,75	70,00	10,00	32	*26X47X12	S	26,00	46,80	47,00	12,00	32
		.984	2.746	2.756	.394				1.024	1.842	1.850	.472	
*25X72X8	S	25,00	71,75	72,00	8,00	32	26X47X7	S	26,00	47,00	47,23	7,00	32
		.984	2.825	2.835	.315				1.024	1.850	1.859	.276	
*25X80X10	S	25,00	79,72	80,00	10,00	32	*26X48X8	S	26,00	47,80	48,00	8,00	32
		.984	3.139	3.150	.394				1.024	1.882	1.890	.315	
*25X41.2X8	S	25,00	41,00	41,20	8,00	32	26X48X7	S	26,00	48,00	48,23	7,00	32
		.984	1.614	1.622	.315				1.024	1.890	1.899	.276	
*25X41.5X7	S	25,00	41,30	41,50	7,00	32	*26X50X7	S	26,00	49,80	50,00	7,00	32
		.984	1.626	1.634	.276				1.024	1.961	1.969	.276	
*25X41.5X10	S	25,00	41,30	41,50	10,00	32	*26X50X10	S	26,00	49,80	50,00	10,00	32
		.984	1.626	1.634	.394				1.024	1.961	1.969	.394	
*25X42.9X9.5	S	25,00	42,70	42,90	9,50	32	*26X50X8	S	26,00	50,00	50,20	8,00	32
		.984	1.681	1.689	.374				1.024	1.969	1.976	.315	
*25X41.25X6	S	25,00	41,05	41,25	6,00	32	*26X52X7	S	26,00	51,75	52,00	7,00	32
		.984	1.616	1.624	.236				1.024	2.037	2.047	.276	
*25X41.25X7	S	25,00	41,05	41,25	7,00	32	26X52X8	S	26,00	52,00	52,20	8,00	32
		.984	1.616	1.624	.276				1.024	2.047	2.055	.315	
*25X44.45X10	S	25,00	44,25	44,45	10,00	32	*26X62X9	S	26,00	61,75	62,00	9,00	32
		.984	1.742	1.750	.394				1.024	2.431	2.441	.354	
*25.7X35X7	S	25,70	34,80	35,00	7,00	32	*26X72X10	S	26,00	71,75	72,00	10,00	32
		1.012	1.370	1.378	.276				1.024	2.825	2.835	.394	
*26X35X7	S	26,00	34,80	35,00	7,00	32	*26X41.3X10	S	26,00	41,10	41,30	10,00	32
		1.024	1.370	1.378	.276				1.024	1.618	1.626	.394	
*26X36X5	S	26,00	35,80	36,00	5,00	32	*27X36X6	S	27,00	35,80	36,00	6,00	32
		1.024	1.409	1.417	.197				1.063	1.409	1.417	.236	
*26X36X7	S	26,00	35,80	36,00	7,00	32	27X37X7	S	27,00	37,00	37,15	7,00	35
		1.024	1.409	1.417	.276				1.063	1.457	1.463	.276	
*26X37X8	S	26,00	36,80	37,00	8,00	32	*27X37X7V	V	27,00	37,00	37,20	7,00	35
		1.024	1.449	1.457	.315				1.063	1.457	1.465	.276	
26X37X7	S	26,00	37,00	37,20	7,00	32	*27X37X8.5	S	27,00	36,80	37,00	8,50	32
		1.024	1.457	1.465	.276				1.063	1.449	1.457	.335	
*26X38X7	S	26,00	37,80	38,00	7,00	32	*27X38X5	S	27,00	37,80	38,00	5,00	32
		1.024	1.488	1.496	.276				1.063	1.488	1.496	.197	
*26X38X8	S	26,00	37,80	38,00	8,00	32	*27X38X6	S	27,00	37,80	38,00	6,00	32
		1.024	1.488	1.496	.315				1.063	1.488	1.496	.236	
26X38X5	S	26,00	38,00	38,20	5,00	32	*27X40X6	S	27,00	39,80	40,00	6,00	32
		1.024	1.496	1.504	.197				1.063	1.567	1.575	.236	
*26X40X8	S	26,00	39,80	40,00	8,00	32	*27X40X7	S	27,00	39,80	40,00	7,00	32
		1.024	1.567	1.575	.315				1.063	1.567	1.575	.276	
*26X40X10	S	26,00	39,80	40,00	10,00	32	*27X40X8	S	27,00	39,80	40,00	8,00	32
		1.024	1.567	1.575	.394				1.063	1.567	1.575	.315	
26X40X7	S	26,00	40,00	40,20	7,00	32	*27X40X10	S	27,00	39,80	40,00	10,00	32
		1.024	1.575	1.583	.276				1.063	1.567	1.575	.394	

NUMERICAL SECTION

For Illustration and Material Data See Technical Section

* The U.S. customer service number is 877-4-TIMKEN. The Canadian customer service numbers are 800-565-4927 (English) and 800-565-0438 (French-Canadian).

Part No.	Lip Mat'l	Shaft Size	Hsg. Bore	Seal O.D.	Seal Width	Type/ Illus.	Part No.	Lip Mat'l	Shaft Size	Hsg. Bore	Seal O.D.	Seal Width	Type/ Illus.
METRIC SERIES (cont.)							METRIC SERIES (cont.)						
*27X40X12	S	27,00	39,80	40,00	12,00	32	*28X43X6	S	28,00	42,80	43,00	6,00	32
		1.063	1.567	1.575	.472			1.102	1.685	1.693	.236		
*27X42X5	S	27,00	41,80	42,00	5,00	32	*28X43X10	S	28,00	42,80	43,00	10,00	32
		1.063	1.646	1.654	.197			1.102	1.685	1.693	.394		
*27X42X8	S	27,00	41,80	42,00	8,00	32	*28X44X7	S	28,00	43,80	44,00	7,00	32
		1.063	1.646	1.654	.315			1.102	1.724	1.732	.276		
27X42X7	S	27,00	42,00	42,20	7,00	35	*28X44X8	S	28,00	43,80	44,00	8,00	32
		1.063	1.654	1.661	.276			1.102	1.724	1.732	.315		
27X42X10	S	27,00	42,00	42,23	10,00	35	28X44X6	N	28,00	44,00	44,23	6,00	32
		1.063	1.654	1.663	.394			1.102	1.732	1.741	.236		
*27X43X9	S	27,00	42,80	43,00	9,00	32	*28X45X7	S	28,00	44,80	45,00	7,00	32
		1.063	1.685	1.693	.354			1.102	1.764	1.772	.276		
27X43X8	S	27,00	43,00	43,20	8,00	32	*28X45X10	S	28,00	44,80	45,00	10,00	32
		1.063	1.693	1.701	.315			1.102	1.764	1.772	.394		
27X45X8	S	27,00	45,00	45,25	8,00	35	*28X45X7V	V	28,00	45,00	45,20	7,00	35
		1.063	1.772	1.781	.315			1.102	1.772	1.780	.276		
*27X46X8	S	27,00	46,00	46,20	8,00	32	28X45X8	S	28,00	45,00	45,20	8,00	32
		1.063	1.811	1.819	.315			1.102	1.772	1.780	.315		
*27X47X7	S	27,00	46,80	47,00	7,00	32	*28X45X8.7	S	28,00	44,80	45,00	8,70	32
		1.063	1.842	1.850	.276			1.102	1.764	1.772	.343		
*27X47X8	S	27,00	47,00	47,23	8,00	35	*28X46X8	S	28,00	46,00	46,20	8,00	32
		1.063	1.850	1.859	.315			1.102	1.811	1.819	.315		
27X47X10	S	27,00	47,00	47,23	10,00	35	*28X47X6	S	28,00	46,80	47,00	6,00	32
		1.063	1.850	1.859	.394			1.102	1.842	1.850	.236		
*27X48X8	S	27,00	48,00	48,20	8,00	32	*28X47X9	S	28,00	46,80	47,00	9,00	32
		1.063	1.890	1.898	.315			1.102	1.842	1.850	.354		
*27X50X10	S	27,00	49,80	50,00	10,00	32	*28X47X10	S	28,00	46,80	47,00	10,00	32
		1.063	1.961	1.969	.394			1.102	1.842	1.850	.394		
*27X50X8	S	27,00	50,00	50,20	8,00	32	28X47X7	S	28,00	47,00	47,22	7,00	32
		1.063	1.969	1.976	.315			1.102	1.850	1.859	.276		
27X52X8	S	27,00	52,00	52,20	8,00	35	*28X47X7V	V	28,00	47,00	47,20	7,00	35
		1.063	2.047	2.055	.315			1.102	1.850	1.858	.276		
*27X53X7	S	27,00	52,75	53,00	7,00	32	*28X47X8	S	28,00	47,00	47,22	8,00	33
		1.063	2.077	2.087	.276			1.102	1.850	1.859	.315		
*27.6X40X5.5	S	27,60	39,80	40,00	5,50	32	*28X48X7	S	28,00	47,80	48,00	7,00	32
		1.087	1.567	1.575	.217			1.102	1.882	1.890	.276		
*28X35X5	S	28,00	34,80	35,00	5,00	32	*28X48X11	S	28,00	47,80	48,00	11,00	32
		1.102	1.370	1.378	.197			1.102	1.882	1.890	.433		
*28X35X7	S	28,00	34,80	35,00	7,00	32	28X48X8	S	28,00	48,00	48,20	8,00	32
		1.102	1.370	1.378	.276			1.102	1.890	1.898	.315		
*28X35X10	S	28,00	34,80	35,00	10,00	32	*28X50X10	S	28,00	49,80	50,00	10,00	32
		1.102	1.370	1.378	.394			1.102	1.961	1.969	.394		
*28X36X7	S	28,00	35,80	36,00	7,00	32	*28X50X8	S	28,00	50,00	50,20	8,00	32
		1.102	1.409	1.417	.276			1.102	1.969	1.976	.315		
*28X38X5	S	28,00	37,80	38,00	5,00	32	*28X51X10	S	28,00	50,75	51,00	10,00	32
		1.102	1.488	1.496	.197			1.102	1.998	2.008	.394		
*28X38X8	S	28,00	37,80	38,00	8,00	32	*28X52X6	S	28,00	51,75	52,00	6,00	32
		1.102	1.488	1.496	.315			1.102	2.037	2.047	.236		
28X38X7	S	28,00	38,00	38,23	7,00	32	*28X52X8	S	28,00	51,75	52,00	8,00	32
		1.102	1.496	1.505	.276			1.102	2.037	2.047	.315		
*28X40X9	S	28,00	39,80	40,00	9,00	32	*28X52X10	S	28,00	51,75	52,00	10,00	32
		1.102	1.567	1.575	.354			1.102	2.037	2.047	.394		
*28X40X10	S	28,00	39,80	40,00	10,00	32	28X52X7	S	28,00	52,00	52,23	7,00	32
		1.102	1.567	1.575	.394			1.102	2.047	2.056	.276		
28X40X7	S	28,00	40,00	40,26	7,00	32	*28X52X7V	V	28,00	52,00	52,20	7,00	32
		1.102	1.575	1.585	.276			1.102	2.047	2.055	.276		
*28X40X7V	V	28,00	40,00	40,20	7,00	35	*28X56X6	S	28,00	55,75	56,00	6,00	32
		1.102	1.575	1.583	.276			1.102	2.195	2.205	.236		
28X40X8	S	28,00	40,00	40,20	8,00	32	*28X56X7	S	28,00	55,75	56,00	7,00	32
		1.102	1.575	1.583	.315			1.102	2.195	2.205	.276		
*28X42X6	S	28,00	41,80	42,00	6,00	32	*28X58X6	S	28,00	57,75	58,00	6,00	32
		1.102	1.646	1.654	.236			1.102	2.273	2.283	.236		
*28X42X7	S	28,00	41,80	42,00	7,00	32	*28X58X10	S	28,00	57,75	58,00	10,00	32
		1.102	1.646	1.654	.276			1.102	2.273	2.283	.394		
*28X42X10	S	28,00	41,80	42,00	10,00	32	*28X62X10	S	28,00	61,75	62,00	10,00	32
		1.102	1.646	1.654	.394			1.102	2.431	2.441	.394		
28X42X8	S	28,00	42,00	42,23	8,00	35	*28X41.5X8	S	28,00	41,30	41,50	8,00	32
		1.102	1.654	1.663	.315			1.102	1.626	1.634	.315		
*28X42X10V	V	28,00	42,00	42,20	10,00	35	*28X42.5X8	S	28,00	42,30	42,50	8,00	32
		1.102	1.654	1.661	.394			1.102	1.665	1.673	.315		

For Illustration and Material Data See Technical Section

* The U.S. customer service number is 877-4-TIMKEN. The Canadian customer service numbers are 800-565-4927 (English) and 800-565-0438 (French-Canadian).

Numerical List Size & Type

Part No.	Lip Mat'l	Shaft Size	Hsg. Bore	Seal O.D.	Seal Width	Type/ Illus.	Part No.	Lip Mat'l	Shaft Size	Hsg. Bore	Seal O.D.	Seal Width	Type/ Illus.
METRIC SERIES (cont.)							METRIC SERIES (cont.)						
*28X41.25X6	S	28,00	41,05	41,25	6,00	32	*30X45X6	S	30,00	44,80	45,00	6,00	32
		1.102	1.616	1.624	.236				1.181	1.764	1.772	.236	
*28.5X39.5X9.5	S	28,50	39,30	39,50	9,50	32	*30X45X7	S	30,00	44,80	45,00	7,00	32
		1.122	1.547	1.555	.374				1.181	1.764	1.772	.276	
*28.6X40X8	S	28,60	39,80	40,00	8,00	32	*30X45X10	S	30,00	44,80	45,00	10,00	32
		1.126	1.567	1.575	.315				1.181	1.764	1.772	.394	
*29X43X8	S	29,00	42,80	43,00	8,00	32	*30X45X13	S	30,00	44,80	45,00	13,00	32
		1.142	1.685	1.693	.315				1.181	1.764	1.772	.512	
*29X44X7	S	29,00	43,80	44,00	7,00	32	30X45X5	S	30,00	45,00	45,22	5,00	32
		1.142	1.724	1.732	.276				1.181	1.772	1.780	.197	
*29X45X9	S	29,00	44,80	45,00	9,00	32	30X45X8	S	30,00	45,00	45,20	8,00	32
		1.142	1.764	1.772	.354				1.181	1.772	1.780	.315	
*29X46X10	S	29,00	45,80	46,00	10,00	32	*30X45X8V	V	30,00	45,00	45,20	8,00	35
		1.142	1.803	1.811	.394				1.181	1.772	1.780	.315	
*29X47X8	S	29,00	46,80	47,00	8,00	32	*30X46X8	S	30,00	45,80	46,00	8,00	32
		1.142	1.842	1.850	.315				1.181	1.803	1.811	.315	
*29X47X10	S	29,00	46,80	47,00	10,00	32	30X46X7	S	30,00	46,00	46,20	7,00	32
		1.142	1.842	1.850	.394				1.181	1.811	1.819	.276	
*29X50X10	S	29,00	49,80	50,00	10,00	32	*30X47X5	S	30,00	46,80	47,00	5,00	32
		1.142	1.961	1.969	.394				1.181	1.842	1.850	.197	
*29X56X10	S	29,00	55,75	56,00	10,00	32	*30X47X6	S	30,00	46,80	47,00	6,00	32
		1.142	2.195	2.205	.394				1.181	1.842	1.850	.236	
*29X62.2X9	S	29,00	61,95	62,20	9,00	32	*30X47X8	S	30,00	46,80	47,00	8,00	32
		1.142	2.439	2.449	.354				1.181	1.842	1.850	.315	
*30X37X6	S	30,00	36,80	37,00	6,00	32	*30X47X10	S	30,00	46,80	47,00	10,00	32
		1.181	1.449	1.457	.236				1.181	1.842	1.850	.394	
*30X38X5	S	30,00	37,80	38,00	5,00	32	30X47X7	S	30,00	47,00	47,25	7,00	32
		1.181	1.488	1.496	.197				1.181	1.850	1.860	.276	
*30X38X6	S	30,00	37,80	38,00	6,00	32	*30X47X7V	V	30,00	47,00	47,20	7,00	32
		1.181	1.488	1.496	.236				1.181	1.850	1.858	.276	
*30X38X7	S	30,00	37,80	38,00	7,00	32	*30X48X7	S	30,00	47,80	48,00	7,00	32
		1.181	1.488	1.496	.276				1.181	1.882	1.890	.276	
*30X40X5	S	30,00	39,80	40,00	5,00	32	*30X48X10	S	30,00	47,80	48,00	10,00	32
		1.181	1.567	1.575	.197				1.181	1.882	1.890	.394	
*30X40X8	S	30,00	39,80	40,00	8,00	32	30X48X8	S	30,00	48,00	48,28	8,00	32
		1.181	1.567	1.575	.315				1.181	1.890	1.901	.315	
*30X40X10	S	30,00	39,80	40,00	10,00	32	*30X49X8	S	30,00	48,80	49,00	8,00	32
		1.181	1.567	1.575	.394				1.181	1.921	1.929	.315	
*30X40X12	S	30,00	39,80	40,00	12,00	32	*30X50X10	S	30,00	49,80	50,00	10,00	32
		1.181	1.567	1.575	.472				1.181	1.961	1.969	.394	
30X40X7	S	30,00	40,00	40,23	7,00	32	*30X50X11	S	30,00	49,80	50,00	11,00	32
		1.181	1.575	1.584	.276				1.181	1.961	1.969	.433	
*30X40X7V	V	30,00	40,00	40,20	7,00	32	*30X50X11	S	30,00	49,80	50,00	11,00	32
		1.181	1.575	1.583	.276				1.181	1.961	1.969	.433	
*30X41X7	S	30,00	40,80	41,00	7,00	32	*30X50X12	S	30,00	49,80	50,00	12,00	32
		1.181	1.606	1.614	.276				1.181	1.961	1.969	.472	
*30X42X8	S	30,00	41,80	42,00	8,00	32	30X50X7	S	30,00	50,00	50,23	7,00	32
		1.181	1.646	1.654	.315				1.181	1.969	1.978	.276	
*30X42X10	S	30,00	41,80	42,00	10,00	32	30X50X8	S	30,00	50,00	50,20	8,00	48
		1.181	1.646	1.654	.394				1.181	1.969	1.976	.315	
*30X42X4.5	S	30,00	41,80	42,00	4,50	32	*30X50X10V	V	30,00	50,00	50,20	10,00	35
		1.181	1.646	1.654	.177				1.181	1.969	1.976	.394	
30X42X7	S	30,00	42,00	42,20	7,00	35	*30X51X10	S	30,00	50,75	51,00	10,00	32
		1.181	1.654	1.661	.276				1.181	1.998	2.008	.394	
*30X42X7V	V	30,00	42,00	42,20	7,00	32	*30X52X8	S	30,00	51,75	52,00	8,00	32
		1.181	1.654	1.661	.276				1.181	2.037	2.047	.315	
*30X43X7	S	30,00	42,80	43,00	7,00	32	*30X52X10	S	30,00	51,75	52,00	10,00	32
		1.181	1.685	1.693	.276				1.181	2.037	2.047	.394	
*30X43X8	S	30,00	42,80	43,00	8,00	32	*30X52X11	S	30,00	51,75	52,00	11,00	32
		1.181	1.685	1.693	.315				1.181	2.037	2.047	.433	
*30X43X9	S	30,00	42,80	43,00	9,00	32	*30X52X12	S	30,00	51,75	52,00	12,00	32
		1.181	1.685	1.693	.354				1.181	2.037	2.047	.472	
*30X43X8.5	S	30,00	42,80	43,00	8,50	32	30X52X7	S	30,00	52,00	52,23	7,00	35
		1.181	1.685	1.693	.335				1.181	2.047	2.056	.276	
*30X44X9	S	30,00	43,80	44,00	9,00	32	*30X52X10V	V	30,00	52,00	52,20	10,00	32
		1.181	1.724	1.732	.354				1.181	2.047	2.055	.394	
*30X44X10	S	30,00	43,80	44,00	10,00	32	*30X54X9	S	30,00	53,75	54,00	9,00	32
		1.181	1.724	1.732	.394				1.181	2.116	2.126	.354	
30X44X7	S	30,00	44,00	44,28	7,00	32	*30X55X8	S	30,00	54,75	55,00	8,00	32
		1.181	1.732	1.743	.276				1.181	2.155	2.165	.315	

NUMERICAL SECTION

For Illustration and Material Data See Technical Section

* The U.S. customer service number is 877-4-TIMKEN. The Canadian customer service numbers are 800-565-4927 (English) and 800-565-0438 (French-Canadian).

Part No.	Lip Mat'l	Shaft Size	Hsg. Bore	Seal O.D.	Seal Width	Type/Illus.	Part No.	Lip Mat'l	Shaft Size	Hsg. Bore	Seal O.D.	Seal Width	Type/Illus.
METRIC SERIES (cont.)							METRIC SERIES (cont.)						
*30X55X11	S	30,00	54,75	55,00	11,00	32	*30X80X10	S	30,00	79,72	80,00	10,00	32
		1.181	2.155	2.165	.433				1.181	3.139	3.150	.394	
*30X55X12	S	30,00	54,75	55,00	12,00	32	*30X44.5X7	S	30,00	44,30	44,50	7,00	32
		1.181	2.155	2.165	.472				1.181	1.744	1.752	.276	
30X55X7	S	30,00	55,00	55,20	7,00	47	*30X48.5X8	S	30,00	48,30	48,50	8,00	32
		1.181	2.165	2.173	.276				1.181	1.901	1.909	.315	
30X55X10	S	30,00	55,00	55,28	10,00	35	*30.5X52X8	S	30,50	51,75	52,00	8,00	32
		1.181	2.165	2.176	.394				1.201	2.037	2.047	.315	
*30X55X10V	V	30,00	55,00	55,20	10,00	32	31X44X8	S	31,00	44,00	44,20	8,00	32
		1.181	2.165	2.173	.394				1.220	1.732	1.740	.315	
*30X56X10	S	30,00	55,75	56,00	10,00	32	*31X47X10	S	31,00	46,80	47,00	10,00	32
		1.181	2.195	2.205	.394				1.220	1.842	1.850	.394	
*30X56X12	S	30,00	55,75	56,00	12,00	32	*31X49X7	S	31,00	48,80	49,00	7,00	32
		1.181	2.195	2.205	.472				1.220	1.921	1.929	.276	
30X56X8	S	30,00	56,00	56,20	8,00	35	*31X50X8	S	31,00	49,80	50,00	8,00	32
		1.181	2.205	2.213	.315				1.220	1.961	1.969	.315	
*30X57X10	S	30,00	56,75	57,00	10,00	32	*31X52X6	S	31,00	51,75	52,00	6,00	32
		1.181	2.234	2.244	.394				1.220	2.037	2.047	.236	
*30X58X10	S	30,00	57,75	58,00	10,00	32	*31X52X7	S	31,00	51,75	52,00	7,00	32
		1.181	2.273	2.283	.394				1.220	2.037	2.047	.276	
*30X58X8	S	30,00	58,00	58,20	8,00	32	*32X40X7	S	32,00	39,80	40,00	7,00	32
		1.181	2.283	2.291	.315				1.260	1.567	1.575	.276	
*30X60X7	S	30,00	59,75	60,00	7,00	32	*32X40X10	S	32,00	39,80	40,00	10,00	32
		1.181	2.352	2.362	.276				1.260	1.567	1.575	.394	
*30X60X10	S	30,00	59,75	60,00	10,00	32	*32X41X7	S	32,00	40,80	41,00	7,00	32
		1.181	2.352	2.362	.394				1.260	1.606	1.614	.276	
*30X60X8	S	30,00	60,00	60,20	8,00	32	*32X42X6	S	32,00	41,80	42,00	6,00	32
		1.181	2.362	2.370	.315				1.260	1.646	1.654	.236	
*30X62X5	S	30,00	61,75	62,00	5,00	32	32X42X7	S	32,00	42,00	42,20	7,00	35
		1.181	2.431	2.441	.197				1.260	1.654	1.661	.276	
*30X62X8	S	30,00	61,75	62,00	8,00	32	32X42X8	S	32,00	42,00	42,20	8,00	32
		1.181	2.431	2.441	.315				1.260	1.654	1.661	.315	
*30X62X9	S	30,00	61,75	62,00	9,00	32	32X43X7	S	32,00	43,00	43,20	7,00	32
		1.181	2.431	2.441	.354				1.260	1.693	1.701	.276	
*30X62X10	S	30,00	61,75	62,00	10,00	32	*32X44X5	S	32,00	43,80	44,00	5,00	32
		1.181	2.431	2.441	.394				1.260	1.724	1.732	.197	
*30X62X11	S	30,00	61,75	62,00	11,00	32	*32X44X6	S	32,00	43,80	44,00	6,00	32
		1.181	2.431	2.441	.433				1.260	1.724	1.732	.236	
*30X62X12	S	30,00	61,75	62,00	12,00	32	*32X44X7	S	32,00	43,80	44,00	7,00	32
		1.181	2.431	2.441	.472				1.260	1.724	1.732	.276	
30X62X7	S	30,00	62,00	62,28	7,00	32	*32X44X8	S	32,00	43,80	44,00	8,00	32
		1.181	2.441	2.452	.276				1.260	1.724	1.732	.315	
*30X62X7V	V	30,00	62,00	62,20	7,00	35	*32X44X8	S	32,00	43,80	44,00	8,00	32
		1.181	2.441	2.449	.276				1.260	1.724	1.732	.315	
*30X65X10	S	30,00	64,75	65,00	10,00	32	*32X44X9	S	32,00	43,80	44,00	9,00	32
		1.181	2.549	2.559	.394				1.260	1.724	1.732	.354	
*30X65X8	S	30,00	65,00	65,20	8,00	32	*32X44X10	S	32,00	43,80	44,00	10,00	32
		1.181	2.559	2.567	.315				1.260	1.724	1.732	.394	
*30X68X10	S	30,00	67,75	68,00	10,00	32	*32X45X6	S	32,00	44,80	45,00	6,00	32
		1.181	2.667	2.677	.394				1.260	1.764	1.772	.236	
*30X68X8	S	30,00	68,00	68,20	8,00	32	*32X45X8	S	32,00	44,80	45,00	8,00	32
		1.181	2.677	2.685	.315				1.260	1.764	1.772	.315	
*30X70X8	S	30,00	70,00	70,20	8,00	32	*32X45X10	S	32,00	44,80	45,00	10,00	32
		1.181	2.756	2.764	.315				1.260	1.764	1.772	.394	
*30X72X8	S	30,00	71,75	72,00	8,00	32	*32X45X6.5	S	32,00	44,80	45,00	6,50	32
		1.181	2.825	2.835	.315				1.260	1.764	1.772	.256	
30X72X7	S	30,00	72,00	72,20	7,00	47	32X45X7	S	32,00	45,00	45,23	7,00	32
		1.181	2.835	2.843	.276				1.260	1.772	1.781	.276	
*30X72X8V	V	30,00	72,00	72,20	8,00	32	*32X46X7	S	32,00	45,80	46,00	7,00	32
		1.181	2.835	2.843	.315				1.260	1.803	1.811	.276	
30X72X10	S	30,00	72,00	72,27	10,00	35	*32X46X8	S	32,00	45,80	46,00	8,00	32
		1.181	2.835	2.845	.394				1.260	1.803	1.811	.315	
*30X75X9	S	30,00	74,75	75,00	9,00	32	32X46X6	S	32,00	46,00	46,23	6,00	32
		1.181	2.943	2.953	.354				1.260	1.811	1.820	.236	
*30X75X10	S	30,00	74,75	75,00	10,00	32	*32X47X6	S	32,00	46,80	47,00	6,00	32
		1.181	2.943	2.953	.394				1.260	1.842	1.850	.236	
*30X77X9	S	30,00	76,72	77,00	9,00	32	*32X47X8	S	32,00	46,80	47,00	8,00	32
		1.181	3.020	3.031	.354				1.260	1.842	1.850	.315	
*30X77X10	S	30,00	76,72	77,00	10,00	32	*32X47X10	S	32,00	46,80	47,00	10,00	32
		1.181	3.020	3.031	.394				1.260	1.842	1.850	.394	

For Illustration and Material Data See Technical Section

* The U.S. customer service number is 877-4-TIMKEN. The Canadian customer service numbers are 800-565-4927 (English) and 800-565-0438 (French-Canadian).

Numerical List Size & Type

Part No.	Lip Mat'l	Shaft Size	Hsg. Bore	Seal O.D.	Seal Width	Type/ Illus.	Part No.	Lip Mat'l	Shaft Size	Hsg. Bore	Seal O.D.	Seal Width	Type/ Illus.
METRIC SERIES (cont.)							METRIC SERIES (cont.)						
32X47X7	S	32,00	47,00	47,23	7,00	35	*32X65X10	S	32,00	64,75	65,00	10,00	32
		1.260	1.850	1.859	.276				1.260	2.549	2.559	.394	
*32X47X7V	V	32,00	47,00	47,20	7,00	32	*32X65X7.5	S	32,00	64,75	65,00	7,50	32
		1.260	1.850	1.858	.276				1.260	2.549	2.559	.295	
*32X48X7	S	32,00	47,80	48,00	7,00	32	*32X70X8	S	32,00	69,75	70,00	8,00	32
		1.260	1.882	1.890	.276				1.260	2.746	2.756	.315	
*32X48X10	S	32,00	47,80	48,00	10,00	32	*32X70X11	S	32,00	69,75	70,00	11,00	32
		1.260	1.882	1.890	.394				1.260	2.746	2.756	.433	
32X48X8	S	32,00	48,00	48,20	8,00	32	*32X72X10	S	32,00	71,75	72,00	10,00	32
		1.260	1.890	1.898	.315				1.260	2.825	2.835	.394	
*32X48X8V	V	32,00	48,00	48,20	8,00	35	32X72X8	S	32,00	72,00	72,20	8,00	32
		1.260	1.890	1.898	.315				1.260	2.835	2.843	.315	
*32X50X7	S	32,00	49,80	50,00	7,00	32	*32X44.5X8	S	32,00	44,30	44,50	8,00	32
		1.260	1.961	1.969	.276				1.260	1.744	1.752	.315	
*32X50X10	S	32,00	49,80	50,00	10,00	32	*32X44.5X10	S	32,00	44,30	44,50	10,00	32
		1.260	1.961	1.969	.394				1.260	1.744	1.752	.394	
32X50X8	S	32,00	50,00	50,23	8,00	35	*33X44X7	S	33,00	43,80	44,00	7,00	32
		1.260	1.969	1.978	.315				1.299	1.724	1.732	.276	
*32X50X10V	V	32,00	50,00	50,20	10,00	35	*33X44X8	S	33,00	43,80	44,00	8,00	32
		1.260	1.969	1.976	.394				1.299	1.724	1.732	.315	
*32X52X8	S	32,00	51,75	52,00	8,00	32	*33X45X8	S	33,00	44,80	45,00	8,00	32
		1.260	2.037	2.047	.315				1.299	1.764	1.772	.315	
*32X52X10	S	32,00	51,75	52,00	10,00	32	*33X45X10	S	33,00	44,80	45,00	10,00	32
		1.260	2.037	2.047	.394				1.299	1.764	1.772	.394	
*32X52X11	S	32,00	51,75	52,00	11,00	32	*33X46X7	S	33,00	45,80	46,00	7,00	32
		1.260	2.037	2.047	.433				1.299	1.803	1.811	.276	
*32X52X12	S	32,00	51,75	52,00	12,00	32	*33X47X8	S	33,00	46,80	47,00	8,00	32
		1.260	2.037	2.047	.472				1.299	1.842	1.850	.315	
32X52X7	S	32,00	52,00	52,28	7,00	32	*33X48X6	S	33,00	47,80	48,00	6,00	32
		1.260	2.047	2.058	.276				1.299	1.882	1.890	.236	
*32X52X7V	V	32,00	52,00	52,20	7,00	35	*33X48X8	S	33,00	47,80	48,00	8,00	32
		1.260	2.047	2.055	.276				1.299	1.882	1.890	.315	
*32X53X7	S	32,00	52,75	53,00	7,00	32	*33X50X6	S	33,00	49,80	50,00	6,00	32
		1.260	2.077	2.087	.276				1.299	1.961	1.969	.236	
*32X54X8	S	32,00	53,75	54,00	8,00	32	*33X50X7	S	33,00	49,80	50,00	7,00	32
		1.260	2.116	2.126	.315				1.299	1.961	1.969	.276	
32X54X10	S	32,00	54,00	54,23	10,00	32	*33X50X10	S	33,00	49,80	50,00	10,00	32
		1.260	2.126	2.135	.394				1.299	1.961	1.969	.394	
*32X55X7	S	32,00	54,75	55,00	7,00	32	33X50X12	S	33,00	50,00	50,25	12,00	32
		1.260	2.155	2.165	.276				1.299	1.969	1.978	.472	
*32X55X8	S	32,00	54,75	55,00	8,00	32	*33X52X5	S	33,00	51,75	52,00	5,00	32
		1.260	2.155	2.165	.315				1.299	2.037	2.047	.197	
*32X55X10	S	32,00	54,75	55,00	10,00	32	*33X52X10	S	33,00	51,75	52,00	10,00	32
		1.260	2.155	2.165	.394				1.299	2.037	2.047	.394	
*32X55X11	S	32,00	54,75	55,00	11,00	32	33X52X6	S	33,00	52,00	52,25	6,00	32
		1.260	2.155	2.165	.433				1.299	2.047	2.057	.236	
*32X55X6.5	S	32,00	54,75	55,00	6,50	32	*33X55X10	S	33,00	54,75	55,00	10,00	32
		1.260	2.155	2.165	.256				1.299	2.155	2.165	.394	
*32X56X8	S	32,00	55,75	56,00	8,00	32	*33X56X10	S	33,00	55,75	56,00	10,00	32
		1.260	2.195	2.205	.315				1.299	2.195	2.205	.394	
32X56X10	S	32,00	56,00	56,28	10,00	32	*33X56X12	S	33,00	55,75	56,00	12,00	32
		1.260	2.205	2.216	.394				1.299	2.195	2.205	.472	
*32X58X10	S	32,00	57,75	58,00	10,00	32	*33X62X7	S	33,00	61,75	62,00	7,00	32
		1.260	2.273	2.283	.394				1.299	2.431	2.441	.276	
*32X58X12	S	32,00	57,75	58,00	12,00	32	*33X72X10	S	33,00	71,75	72,00	10,00	32
		1.260	2.273	2.283	.472				1.299	2.825	2.835	.394	
32X58X8	S	32,00	58,00	58,20	8,00	32	*33X47.3X7	S	33,00	47,10	47,30	7,00	32
		1.260	2.283	2.291	.315				1.299	1.854	1.862	.276	
32X60X8	S	32,00	60,00	60,20	8,00	32	*34X42X5	S	34,00	41,80	42,00	5,00	32
		1.260	2.362	2.370	.315				1.339	1.646	1.654	.197	
32X60X10	S	32,00	60,00	60,20	10,00	48	*34X44X7	S	34,00	43,80	44,00	7,00	32
		1.260	2.362	2.370	.394				1.339	1.724	1.732	.276	
*32X62X10	S	32,00	61,75	62,00	10,00	32	*34X44X8	S	34,00	43,80	44,00	8,00	32
		1.260	2.431	2.441	.394				1.339	1.724	1.732	.315	
*32X62X12	S	32,00	61,75	62,00	12,00	32	34X45X8	S	34,00	45,00	45,20	8,00	32
		1.260	2.431	2.441	.472				1.339	1.772	1.780	.315	
32X62X8	S	32,00	62,00	62,20	8,00	32	*34X46X8	S	34,00	45,80	46,00	8,00	32
		1.260	2.441	2.449	.315				1.339	1.803	1.811	.315	
*32X65X8	S	32,00	64,75	65,00	8,00	32	*34X47X8	S	34,00	46,80	47,00	8,00	32
		1.260	2.549	2.559	.315				1.339	1.842	1.850	.315	

NUMERICAL SECTION

For Illustration and Material Data See Technical Section

* The U.S. customer service number is 877-4-TIMKEN. The Canadian customer service numbers are 800-565-4927 (English) and 800-565-0438 (French-Canadian).

Part No.	Lip Mat'l	Shaft Size	Hsg. Bore	Seal O.D.	Seal Width	Type/ Illus.	Part No.	Lip Mat'l	Shaft Size	Hsg. Bore	Seal O.D.	Seal Width	Type/ Illus.
METRIC SERIES (cont.)							METRIC SERIES (cont.)						
*34X47X9	S	34,00	46,80	47,00	9,00	32	*35X47X10	S	35,00	46,80	47,00	10,00	32
		1.339	1.842	1.850	.354			1.378	1.842	1.850	.394		
*34X48X7	S	34,00	47,80	48,00	7,00	32	35X47X7	S	35,00	47,00	47,23	7,00	35
		1.339	1.882	1.890	.276			1.378	1.850	1.859	.276		
*34X48X8	S	34,00	47,80	48,00	8,00	32	*35X47X7V	V	35,00	47,00	47,20	7,00	32
		1.339	1.882	1.890	.315			1.378	1.850	1.858	.276		
*34X50X7	S	34,00	49,80	50,00	7,00	32	*35X47X7.5	S	35,00	46,80	47,00	7,50	32
		1.339	1.961	1.969	.276			1.378	1.842	1.850	.295		
*34X50X8	S	34,00	49,80	50,00	8,00	32	*35X48X7	S	35,00	47,80	48,00	7,00	32
		1.339	1.961	1.969	.315			1.378	1.882	1.890	.276		
*34X50X10	S	34,00	49,80	50,00	10,00	32	*35X48X9	S	35,00	47,80	48,00	9,00	32
		1.339	1.961	1.969	.394			1.378	1.882	1.890	.354		
*34X50X12	S	34,00	49,80	50,00	12,00	32	*35X48X10	S	35,00	47,80	48,00	10,00	32
		1.339	1.961	1.969	.472			1.378	1.882	1.890	.394		
*34X52X10	S	34,00	51,75	52,00	10,00	32	35X48X8	S	35,00	48,00	48,20	8,00	32
		1.339	2.037	2.047	.394			1.378	1.890	1.898	.315		
*34X52X11	S	34,00	51,75	52,00	11,00	32	*35X49X6	S	35,00	48,80	49,00	6,00	32
		1.339	2.037	2.047	.433			1.378	1.921	1.929	.236		
34X52X8	S	34,00	52,00	52,28	8,00	32	*35X49X8	S	35,00	48,80	49,00	8,00	32
		1.339	2.047	2.058	.315			1.378	1.921	1.929	.315		
*34X53X8	S	34,00	52,75	53,00	8,00	32	*35X50X9	S	35,00	49,80	50,00	9,00	32
		1.339	2.077	2.087	.315			1.378	1.961	1.969	.354		
*34X54X8	S	34,00	53,75	54,00	8,00	32	*35X50X10	S	35,00	49,80	50,00	10,00	32
		1.339	2.116	2.126	.315			1.378	1.961	1.969	.394		
34X54X9	S	34,00	54,00	54,20	9,00	35	*35X50X11	S	35,00	49,80	50,00	11,00	32
		1.339	2.126	2.134	.354			1.378	1.961	1.969	.433		
*34X55X11	S	34,00	54,75	55,00	11,00	32	35X50X7	S	35,00	50,00	50,20	7,00	32
		1.339	2.155	2.165	.433			1.378	1.969	1.976	.276		
34X55X9	S	34,00	55,00	55,20	9,00	32	35X50X8	S	35,00	50,00	50,24	8,00	35
		1.339	2.165	2.173	.354			1.378	1.969	1.978	.315		
*34X56X8	S	34,00	56,00	56,20	8,00	32	*35X50X8V	V	35,00	50,00	50,20	8,00	32
		1.339	2.205	2.213	.315			1.378	1.969	1.976	.315		
*34X58X10	S	34,00	57,75	58,00	10,00	32	*35X51X7	S	35,00	50,75	51,00	7,00	32
		1.339	2.273	2.283	.394			1.378	1.998	2.008	.276		
*34X58X8	S	34,00	58,00	58,20	8,00	32	*35X51X8	S	35,00	50,75	51,00	8,00	32
		1.339	2.283	2.291	.315			1.378	1.998	2.008	.315		
*34X60X8	S	34,00	60,00	60,20	8,00	32	*35X51X10	S	35,00	50,75	51,00	10,00	32
		1.339	2.362	2.370	.315			1.378	1.998	2.008	.394		
*34X62X7	S	34,00	61,75	62,00	7,00	32	*35X52X9	S	35,00	51,75	52,00	9,00	32
		1.339	2.431	2.441	.276			1.378	2.037	2.047	.354		
*34X62X14	S	34,00	61,75	62,00	14,00	32	*35X52X10	S	35,00	51,75	52,00	10,00	32
		1.339	2.431	2.441	.551			1.378	2.037	2.047	.394		
34X62X10	S	34,00	62,00	62,18	10,00	35	*35X52X11	S	35,00	51,75	52,00	11,00	32
		1.339	2.441	2.448	.394			1.378	2.037	2.047	.433		
*34X70X10	S	34,00	69,75	70,00	10,00	32	*35X52X12	S	35,00	51,75	52,00	12,00	32
		1.339	2.746	2.756	.394			1.378	2.037	2.047	.472		
*34X72X10	S	34,00	71,75	72,00	10,00	32	35X52X7	S	35,00	52,00	52,20	7,00	32
		1.339	2.825	2.835	.394			1.378	2.047	2.055	.276		
*34X72X12	S	34,00	71,75	72,00	12,00	32	35X52X8	S	35,00	52,00	52,13	8,00	33
		1.339	2.825	2.835	.472			1.378	2.047	2.052	.315		
*35X42X6	S	35,00	41,80	42,00	6,00	32	*35X54X10	S	35,00	53,75	54,00	10,00	32
		1.378	1.646	1.654	.236			1.378	2.116	2.126	.394		
*35X42X8	S	35,00	41,80	42,00	8,00	32	35X54X8	S	35,00	54,00	54,20	8,00	35
		1.378	1.646	1.654	.315			1.378	2.126	2.134	.315		
*35X44X7	S	35,00	43,80	44,00	7,00	32	*35X54X10V	V	35,00	54,00	54,20	10,00	35
		1.378	1.724	1.732	.276			1.378	2.126	2.134	.394		
*35X45X6	S	35,00	44,80	45,00	6,00	32	*35X55X7	S	35,00	54,75	55,00	7,00	32
		1.378	1.764	1.772	.236			1.378	2.155	2.165	.276		
*35X45X8	S	35,00	44,80	45,00	8,00	32	*35X55X9	S	35,00	54,75	55,00	9,00	32
		1.378	1.764	1.772	.315			1.378	2.155	2.165	.354		
*35X45X10	S	35,00	44,80	45,00	10,00	32	*35X55X10	S	35,00	54,75	55,00	10,00	32
		1.378	1.764	1.772	.394			1.378	2.155	2.165	.394		
*35X45X12	S	35,00	44,80	45,00	12,00	32	*35X55X12	S	35,00	54,75	55,00	12,00	32
		1.378	1.764	1.772	.472			1.378	2.155	2.165	.472		
35X45X7	S	35,00	45,00	45,15	7,00	35	35X55X8	S	35,00	55,00	55,10	8,00	47
		1.378	1.772	1.778	.276			1.378	2.165	2.174	.315		
*35X46X10	S	35,00	45,80	46,00	10,00	32	*35X55X10V	V	35,00	55,00	55,20	10,00	32
		1.378	1.803	1.811	.394			1.378	2.165	2.173	.394		
*35X47X8	S	35,00	46,80	47,00	8,00	32	35X55X11	S	35,00	55,00	55,23	11,00	32
		1.378	1.842	1.850	.315			1.378	2.165	2.174	.433		

For Illustration and Material Data See Technical Section

* The U.S. customer service number is 877-4-TIMKEN. The Canadian customer service numbers are 800-565-4927 (English) and 800-565-0438 (French-Canadian).

Numerical List Size & Type

Part No.	Lip Mat'l	Shaft Size	Hsg. Bore	Seal O.D.	Seal Width	Type/ Illus.	Part No.	Lip Mat'l	Shaft Size	Hsg. Bore	Seal O.D.	Seal Width	Type/ Illus.
METRIC SERIES (cont.)							METRIC SERIES (cont.)						
*35X56X12	S	35,00	55,75	56,00	12,00	32	*35X69X8	S	35,00	69,00	69,20	8,00	32
		1.378	2.195	2.205	.472				1.378	2.717	2.724	.315	
*35X56X5.8	S	35,00	55,75	56,00	5,80	32	*35X70X10	S	35,00	69,75	70,00	10,00	32
		1.378	2.195	2.205	.228				1.378	2.746	2.756	.394	
35X56X8	S	35,00	56,00	56,20	8,00	35	35X70X8	S	35,00	70,00	70,20	8,00	32
		1.378	2.205	2.213	.315				1.378	2.756	2.764	.315	
35X56X10	S	35,00	56,00	56,27	10,00	32	*35X72X7	S	35,00	71,75	72,00	7,00	32
		1.378	2.205	2.215	.394				1.378	2.825	2.835	.276	
*35X56X10V	V	35,00	56,00	56,20	10,00	35	*35X72X11	S	35,00	71,75	72,00	11,00	32
		1.378	2.205	2.213	.394				1.378	2.825	2.835	.433	
*35X57X9	S	35,00	56,75	57,00	9,00	32	*35X72X12	S	35,00	71,75	72,00	12,00	32
		1.378	2.234	2.244	.354				1.378	2.825	2.835	.472	
*35X57X10	S	35,00	56,75	57,00	10,00	32	35X72X8	S	35,00	72,00	72,20	8,00	32
		1.378	2.234	2.244	.394				1.378	2.835	2.843	.315	
*35X58X9	S	35,00	57,75	58,00	9,00	32	35X72X10	S	35,00	72,00	72,28	10,00	35
		1.378	2.273	2.283	.354				1.378	2.835	2.846	.394	
*35X58X12	S	35,00	57,75	58,00	12,00	32	*35X72X10V	V	35,00	72,00	72,20	10,00	35
		1.378	2.273	2.283	.472				1.378	2.835	2.843	.394	
*35X58X13	S	35,00	57,75	58,00	13,00	32	*35X75X8	S	35,00	74,75	75,00	8,00	32
		1.378	2.273	2.283	.512				1.378	2.943	2.953	.315	
*35X58X18	S	35,00	57,75	58,00	18,00	32	*35X78X8	S	35,00	78,00	78,20	8,00	32
		1.378	2.273	2.283	.709				1.378	3.071	3.079	.315	
35X58X10	S	35,00	58,00	58,28	10,00	35	*35X80X10	S	35,00	79,72	80,00	10,00	32
		1.378	2.283	2.294	.394				1.378	3.139	3.150	.394	
*35X59X12	S	35,00	58,75	59,00	12,00	32	*35X80X12	S	35,00	79,72	80,00	12,00	32
		1.378	2.313	2.323	.472				1.378	3.139	3.150	.472	
*35X60X8	S	35,00	59,75	60,00	8,00	32	*35X80X13	S	35,00	79,72	80,00	13,00	32
		1.378	2.352	2.362	.315				1.378	3.139	3.150	.512	
*35X60X11	S	35,00	59,75	60,00	11,00	32	35X80X8	S	35,00	80,00	80,20	8,00	32
		1.378	2.352	2.362	.433				1.378	3.150	3.150	.315	
*35X60X12	S	35,00	59,75	60,00	12,00	32	*35X82X7	S	35,00	81,72	82,00	7,00	32
		1.378	2.352	2.362	.472				1.378	3.217	3.228	.276	
35X60X10	S	35,00	60,00	60,23	10,00	35	*35X46.5X8	S	35,00	46,30	46,50	8,00	32
		1.378	2.362	2.371	.394				1.378	1.823	1.831	.315	
*35X62X6	S	35,00	61,75	62,00	6,00	32	*35X49.5X10	S	35,00	49,30	49,50	10,00	32
		1.378	2.431	2.441	.236				1.378	1.941	1.949	.394	
*35X62X8	S	35,00	61,75	62,00	8,00	32	*36X44X5	S	36,00	43,80	44,00	5,00	32
		1.378	2.431	2.441	.315				1.417	1.724	1.732	.197	
*35X62X8	S	35,00	61,75	62,00	8,00	32	*36X46X6	S	36,00	45,80	46,00	6,00	32
		1.378	2.431	2.441	.315				1.417	1.803	1.811	.236	
*35X62X11	S	35,00	61,75	62,00	11,00	32	*36X46X9	S	36,00	45,80	46,00	9,00	32
		1.378	2.431	2.441	.433				1.417	1.803	1.811	.354	
*35X62X12	S	35,00	61,75	62,00	12,00	32	*36X47X8	S	36,00	46,80	47,00	8,00	32
		1.378	2.431	2.441	.472				1.417	1.842	1.850	.315	
35X62X7	S	35,00	62,00	62,28	7,00	32	36X47X7	S	36,00	47,00	47,20	7,00	35
		1.378	2.441	2.452	.276				1.417	1.850	1.858	.276	
*35X62X7V	V	35,00	62,00	62,20	7,00	35	*36X48X7	S	36,00	47,80	48,00	7,00	32
		1.378	2.441	2.449	.276				1.417	1.882	1.890	.276	
*35X62X9.5	S	35,00	61,75	62,00	9,50	32	*36X48X10	S	36,00	47,80	48,00	10,00	32
		1.378	2.431	2.441	.374				1.417	1.882	1.890	.394	
35X62X10	S	35,00	62,00	62,20	10,00	35	*36X49X7	S	36,00	48,80	49,00	7,00	32
		1.378	2.441	2.449	.394				1.417	1.921	1.929	.276	
*35X64X12	S	35,00	63,75	64,00	12,00	32	*36X50X10	S	36,00	49,80	50,00	10,00	32
		1.378	2.510	2.520	.472				1.417	1.961	1.969	.394	
*35X64X13	S	35,00	63,75	64,00	13,00	32	36X50X7	S	36,00	50,00	50,08	7,00	47
		1.378	2.510	2.520	.512				1.417	1.969	1.972	.276	
35X64X8	N	35,00	64,00	64,13	8,00	47	*36X51X7	S	36,00	50,75	51,00	7,00	32
		1.378	2.520	2.525	.315				1.417	1.998	2.008	.276	
*35X65X12	S	35,00	64,75	65,00	12,00	32	*36X52X8	S	36,00	51,75	52,00	8,00	32
		1.378	2.549	2.559	.472				1.417	2.037	2.047	.315	
35X65X8	S	35,00	65,00	65,20	8,00	32	*36X52X10	S	36,00	51,75	52,00	10,00	32
		1.378	2.559	2.567	.315				1.417	2.037	2.047	.394	
35X65X10	S	35,00	65,00	65,20	10,00	32	36X52X7	S	36,00	52,00	52,20	7,00	35
		1.378	2.559	2.567	.394				1.417	2.047	2.055	.276	
*35X68X6	S	35,00	67,75	68,00	6,00	32	*36X52X7V	V	36,00	52,00	52,20	7,00	32
		1.378	2.667	2.677	.236				1.417	2.047	2.055	.276	
*35X68X10	S	35,00	68,00	68,23	10,00	35	*36X54X7	S	36,00	53,75	54,00	7,00	32
		1.378	2.677	2.686	.394				1.417	2.116	2.126	.276	
*35X68X10V	V	35,00	68,00	68,20	10,00	35	*36X54X10	S	36,00	53,75	54,00	10,00	32
		1.378	2.677	2.685	.394				1.417	2.116	2.126	.394	

NUMERICAL SECTION

For Illustration and Material Data See Technical Section

* The U.S. customer service number is 877-4-TIMKEN. The Canadian customer service numbers are 800-565-4927 (English) and 800-565-0438 (French-Canadian).

Part No.	Lip Mat'l	Shaft Size	Hsg. Bore	Seal O.D.	Seal Width	Type/ Illus.	Part No.	Lip Mat'l	Shaft Size	Hsg. Bore	Seal O.D.	Seal Width	Type/ Illus.
METRIC SERIES (cont.)							METRIC SERIES (cont.)						
36X54X7.5	S	36,00	54,00	54,20	7,50	35	*38X50X7V	V	38,00	50,00	50,20	7,00	35
		1.417	2.126	2.134	.295				1.496	1.969	1.976	.276	
36X54X8	S	36,00	54,00	54,20	8,00	35	*38X51X7	S	38,00	50,75	51,00	7,00	32
		1.417	2.126	2.134	.315				1.496	1.998	2.008	.276	
*36X54X8V	V	36,00	54,00	54,20	7,50	35	*38X52X6	S	38,00	51,75	52,00	6,00	32
		1.417	2.126	2.134	.295				1.496	2.037	2.047	.236	
*36X55X10	S	36,00	54,75	55,00	10,00	32	*38X52X8	S	38,00	51,75	52,00	8,00	32
		1.417	2.155	2.165	.394				1.496	2.037	2.047	.315	
*36X55X12	S	36,00	54,75	55,00	12,00	32	*38X52X9	S	38,00	51,75	52,00	9,00	32
		1.417	2.155	2.165	.472				1.496	2.037	2.047	.354	
*36X56X12	S	36,00	55,75	56,00	12,00	32	*38X52X10	S	38,00	51,75	52,00	10,00	32
		1.417	2.195	2.205	.472				1.496	2.037	2.047	.394	
36X56X10	S	36,00	56,00	56,25	10,00	35	38X52X7	S	38,00	52,00	52,20	7,00	32
		1.417	2.205	2.215	.394				1.496	2.047	2.055	.276	
36X58X8	S	36,00	58,00	58,25	8,00	47	*38X52X7V	V	38,00	52,00	52,20	7,00	35
		1.417	2.283	2.293	.315				1.496	2.047	2.055	.276	
36X58X12	S	36,00	58,00	58,23	12,00	35	38X52X8.5	S	38,00	52,00	52,25	8,50	32
		1.417	2.283	2.293	.472				1.496	2.047	2.057	.335	
*36X60X6	S	36,00	59,75	60,00	6,00	32	38X52X8.5	S	38,00	52,00	52,25	8,50	32
		1.417	2.352	2.362	.236				1.496	2.047	2.057	.335	
36X60X7	S	36,00	60,00	60,20	7,00	32	38X53X8	S	38,00	53,00	53,20	8,00	32
		1.417	2.362	2.370	.276				1.496	2.087	2.094	.315	
*36X62X10	S	36,00	61,75	62,00	10,00	32	38X54X7	S	38,00	54,00	54,18	7,00	48
		1.417	2.431	2.441	.394				1.496	2.126	2.133	.276	
36X62X7	S	36,00	62,00	62,28	7,00	32	38X54X10	S	38,00	54,00	54,18	10,00	32
		1.417	2.441	2.452	.276				1.496	2.126	2.133	.394	
36X68X10	S	36,00	68,00	68,28	10,00	35	*38X54X10V	V	38,00	54,00	54,20	10,00	35
		1.417	2.677	2.688	.394				1.496	2.126	2.134	.394	
*36X70X8	S	36,00	70,00	70,20	8,00	32	*38X55X6	S	38,00	54,75	55,00	6,00	32
		1.417	2.756	2.764	.315				1.496	2.155	2.165	.236	
*36X72X8	S	36,00	72,00	72,20	8,00	32	*38X55X8	S	38,00	54,75	55,00	8,00	32
		1.417	2.835	2.843	.315				1.496	2.155	2.165	.315	
*36X63.5X13	S	36,00	63,25	63,50	13,00	32	*38X55X9	S	38,00	54,75	55,00	9,00	32
		1.417	2.490	2.500	.512				1.496	2.155	2.165	.354	
*36.5X62X7	S	36,50	61,75	62,00	7,00	32	*38X55X10	S	38,00	54,75	55,00	10,00	32
		1.437	2.431	2.441	.276				1.496	2.155	2.165	.394	
*37X47X10	S	37,00	46,80	47,00	10,00	32	38X55X7	N	38,00	55,00	55,23	7,00	32
		1.457	1.842	1.850	.394				1.496	2.165	2.174	.276	
37X52X8	S	37,00	52,00	52,28	8,00	35	*38X56X7	S	38,00	55,75	56,00	7,00	32
		1.457	2.047	2.058	.315				1.496	2.195	2.205	.276	
*37X53X7	S	37,00	52,75	53,00	7,00	32	*38X56X12	S	38,00	55,75	56,00	12,00	32
		1.457	2.077	2.087	.276				1.496	2.195	2.205	.472	
*37X55X8	S	37,00	54,75	55,00	8,00	32	38X56X10	S	38,00	56,00	56,28	10,00	32
		1.457	2.155	2.165	.315				1.496	2.205	2.216	.394	
*37X57X10	S	37,00	56,75	57,00	10,00	32	*38X56X10V	V	38,00	56,00	56,20	10,00	35
		1.457	2.234	2.244	.394				1.496	2.205	2.213	.394	
*37X58X7	S	37,00	57,75	58,00	7,00	32	*38X57X10	S	38,00	56,75	57,00	10,00	32
		1.457	2.273	2.283	.276				1.496	2.234	2.244	.394	
*37X58X10	S	37,00	57,75	58,00	10,00	32	*38X58X7	S	38,00	57,75	58,00	7,00	32
		1.457	2.273	2.283	.394				1.496	2.273	2.283	.276	
*37X58X13	S	37,00	57,75	58,00	13,00	32	*38X58X10	S	38,00	57,75	58,00	10,00	32
		1.457	2.273	2.283	.512				1.496	2.273	2.283	.394	
*37X64X13	S	37,00	63,75	64,00	13,00	32	*38X58X11	S	38,00	57,75	58,00	11,00	32
		1.457	2.510	2.520	.512				1.496	2.273	2.283	.433	
*38X47X7	S	38,00	46,80	47,00	7,00	32	38X58X8	S	38,00	58,00	58,11	8,00	47
		1.496	1.842	1.850	.276				1.496	2.283	2.288	.315	
*38X47X8	S	38,00	47,00	47,25	8,00	25	*38X60X9	S	38,00	59,75	60,00	9,00	32
		1.496	1.850	1.860	.315				1.496	2.352	2.362	.354	
*38X48X6	S	38,00	47,80	48,00	6,00	32	38X60X8	S	38,00	60,00	60,20	8,00	32
		1.496	1.882	1.890	.236				1.496	2.362	2.370	.315	
*38X48X7	S	38,00	47,80	48,00	7,00	32	38X60X10	S	38,00	60,00	60,35	10,00	32
		1.496	1.882	1.890	.276				1.496	2.362	2.376	.394	
*38X48X10	S	38,00	47,80	48,00	10,00	32	*38X60X10V	V	38,00	60,00	60,20	10,00	35
		1.496	1.882	1.890	.394				1.496	2.362	2.370	.394	
*38X50X8	S	38,00	49,80	50,00	8,00	32	*38X62X9	S	38,00	61,75	62,00	9,00	32
		1.496	1.961	1.969	.315				1.496	2.431	2.441	.354	
*38X50X10	S	38,00	49,80	50,00	10,00	32	*38X62X10	S	38,00	61,75	62,00	10,00	32
		1.496	1.961	1.969	.394				1.496	2.431	2.441	.394	
38X50X7	S	38,00	50,00	50,25	7,00	35	*38X62X12	S	38,00	61,75	62,00	12,00	32
		1.496	1.969	1.978	.276				1.496	2.431	2.441	.472	

For Illustration and Material Data See Technical Section

* The U.S. customer service number is 877-4-TIMKEN. The Canadian customer service numbers are 800-565-4927 (English) and 800-565-0438 (French-Canadian).

Numerical List Size & Type

Part No.	Lip Mat'l	Shaft Size	Hsg. Bore	Seal O.D.	Seal Width	Type/ Illus.	Part No.	Lip Mat'l	Shaft Size	Hsg. Bore	Seal O.D.	Seal Width	Type/ Illus.
METRIC SERIES (cont.)							METRIC SERIES (cont.)						
38X62X7	S	38,00	62,00	62,28	7,00	32	*40X52X10	S	40,00	51,75	52,00	10,00	32
		1.496	2.441	2.452	.276				1.575	2.037	2.047	.394	
*38X62X7V	V	38,00	62,00	62,20	7,00	32	40X52X7	S	40,00	52,00	52,25	7,00	32
		1.496	2.441	2.449	.276				1.575	2.047	2.057	.276	
*38X65X10	S	38,00	64,75	65,00	10,00	32	*40X52X7V	V	40,00	52,00	52,20	7,00	32
		1.496	2.549	2.559	.394				1.575	2.047	2.055	.276	
*38X65X11	S	38,00	64,75	65,00	11,00	32	*40X53X8	S	40,00	52,75	53,00	8,00	32
		1.496	2.549	2.559	.433				1.575	2.077	2.087	.315	
*38X65X13	S	38,00	64,75	65,00	13,00	32	*40X54X7	S	40,00	53,75	54,00	7,00	32
		1.496	2.549	2.559	.512				1.575	2.116	2.126	.276	
38X65X8	S	38,00	65,00	65,20	8,00	32	*40X54X8	S	40,00	53,75	54,00	8,00	32
		1.496	2.559	2.567	.315				1.575	2.116	2.126	.315	
38X68X8	S	38,00	68,00	68,20	8,00	32	*40X54X10	S	40,00	53,75	54,00	10,00	32
		1.496	2.677	2.685	.315				1.575	2.116	2.126	.394	
38X68X10	S	38,00	68,00	68,20	10,00	32	40X54X6	S	40,00	54,00	54,20	5,50	47
		1.496	2.677	2.685	.394				1.575	2.126	2.134	.217	
38X70X10	S	38,00	70,00	70,20	10,00	35	*40X55X7	S	40,00	54,75	55,00	7,00	32
		1.496	2.756	2.764	.394				1.575	2.155	2.165	.276	
*38X72X12	S	38,00	71,75	72,00	12,00	32	*40X55X10	S	40,00	54,75	55,00	10,00	32
		1.496	2.825	2.835	.472				1.575	2.155	2.165	.394	
38X72X10	S	38,00	72,00	72,20	10,00	35	40X55X6	S	40,00	55,00	55,20	6,50	35
		1.496	2.835	2.843	.394				1.575	2.165	2.173	.256	
38X74X8	S	38,00	74,00	74,20	8,00	32	40X55X8	S	40,00	55,00	55,28	8,00	32
		1.496	2.913	2.921	.315				1.575	2.165	2.176	.315	
38X74X11	N	38,00	74,00	74,20	11,00	32	*40X55X8V	V	40,00	55,00	55,20	8,00	32
		1.496	2.913	2.921	.433				1.575	2.165	2.173	.315	
*38X75X8	S	38,00	75,00	75,20	8,00	32	*40X56X8	S	40,00	55,75	56,00	8,00	32
		1.496	2.953	2.961	.315				1.575	2.195	2.205	.315	
*38X78X8	S	38,00	78,00	78,20	8,00	32	*40X56X8	S	40,00	55,75	56,00	8,00	32
		1.496	3.071	3.079	.315				1.575	2.195	2.205	.315	
*38X80X10	S	38,00	79,72	80,00	10,00	32	*40X56X8	S	40,00	55,75	56,00	8,00	32
		1.496	3.139	3.150	.394				1.575	2.195	2.205	.315	
*38X80X8	S	38,00	80,00	80,20	8,00	32	40X56X7	S	40,00	56,00	56,20	7,00	32
		1.496	3.150	3.157	.315				1.575	2.205	2.213	.276	
*38X90X8	S	38,00	90,00	90,20	8,00	32	*40X56X8V	V	40,00	56,00	56,20	8,00	35
		1.496	3.543	3.551	.315				1.575	2.205	2.213	.315	
*38X52.6X6	S	38,00	52,35	52,60	6,00	32	40X56X10	S	40,00	56,00	56,20	10,00	35
		1.496	2.061	2.071	.236				1.575	2.205	2.213	.394	
*38X60.5X12	S	38,00	60,25	60,50	12,00	32	*40X57X7	S	40,00	56,75	57,00	7,00	32
		1.496	2.372	2.382	.472				1.575	2.234	2.244	.276	
*38X63.5X10	S	38,00	63,25	63,50	10,00	32	40X57X10	S	40,00	57,00	57,20	10,00	32
		1.496	2.490	2.500	.394				1.575	2.244	2.252	.394	
*39X51X7.5	S	39,00	50,75	51,00	7,50	32	*40X58X6.5	S	40,00	57,75	58,00	6,50	32
		1.535	1.998	2.008	.295				1.575	2.273	2.283	.256	
*39X55X9	S	39,00	54,75	55,00	9,00	32	40X58X8	S	40,00	58,00	58,20	8,00	32
		1.535	2.155	2.165	.354				1.575	2.283	2.291	.315	
*39X56X7	S	39,00	55,75	56,00	7,00	32	40X58X10	S	40,00	58,00	58,28	10,00	32
		1.535	2.195	2.205	.276				1.575	2.283	2.294	.394	
*39X59X8	S	39,00	58,75	59,00	8,00	32	*40X58X10V	V	40,00	58,00	58,20	10,00	35
		1.535	2.313	2.323	.315				1.575	2.283	2.291	.394	
*39X65X8	S	39,00	64,75	65,00	8,00	32	*40X59X10	S	40,00	58,75	59,00	10,00	32
		1.535	2.549	2.559	.315				1.575	2.313	2.323	.394	
*39.6X52X11	S	39,60	51,75	52,00	11,00	32	*40X60X7	S	40,00	59,75	60,00	7,00	32
		1.559	2.037	2.047	.433				1.575	2.352	2.362	.276	
*40X50X5	S	40,00	49,80	50,00	5,00	32	*40X60X12	S	40,00	59,75	60,00	12,00	32
		1.575	1.961	1.969	.197				1.575	2.352	2.362	.472	
*40X50X7	S	40,00	49,80	50,00	7,00	32	40X60X10	S	40,00	60,00	60,20	10,00	32
		1.575	1.961	1.969	.276				1.575	2.362	2.370	.394	
*40X50X10	S	40,00	49,80	50,00	10,00	32	*40X60X10V	V	40,00	60,00	60,20	10,00	35
		1.575	1.961	1.969	.394				1.575	2.362	2.370	.394	
*40X50X6.5	S	40,00	49,80	50,00	6,50	32	*40X62X9	S	40,00	61,75	62,00	9,00	32
		1.575	1.961	1.969	.256				1.575	2.431	2.441	.354	
40X50X8	S	40,00	50,00	50,20	8,00	35	*40X62X10	S	40,00	61,75	62,00	10,00	32
		1.575	1.969	1.976	.315				1.575	2.431	2.441	.394	
*40X52X6	S	40,00	51,75	52,00	6,00	32	*40X62X11	S	40,00	61,75	62,00	11,00	32
		1.575	2.037	2.047	.236				1.575	2.431	2.441	.433	
*40X52X8	S	40,00	51,75	52,00	8,00	32	40X62X7	S	40,00	62,00	62,20	7,00	35
		1.575	2.037	2.047	.315				1.575	2.441	2.449	.276	
*40X52X9	S	40,00	51,75	52,00	9,00	32	*40X62X7V	V	40,00	62,00	62,20	7,00	32
		1.575	2.037	2.047	.354				1.575	2.441	2.449	.276	

NUMERICAL SECTION

For Illustration and Material Data See Technical Section

* The U.S. customer service number is 877-4-TIMKEN. The Canadian customer service numbers are 800-565-4927 (English) and 800-565-0438 (French-Canadian).

Part No.	Lip Mat'l	Shaft Size	Hsg. Bore	Seal O.D.	Seal Width	Type/ Illus.	Part No.	Lip Mat'l	Shaft Size	Hsg. Bore	Seal O.D.	Seal Width	Type/ Illus.
METRIC SERIES (cont.)							METRIC SERIES (cont.)						
40X62X8	S	40,00	62,00	62,25	8,00	32	*40X90X12	S	40,00	89,72	90,00	12,00	32
		1.575	2.441	2.451	.315				1.575	3.532	3.543	.472	
*40X62X11.5	S	40,00	61,75	62,00	11,50	32	40X90X8	S	40,00	90,00	90,20	8,00	35
		1.575	2.431	2.441	.453				1.575	3.543	3.551	.315	
40X62X12	S	40,00	62,00	62,25	11,50	35	*40X62.5X11	S	40,00	62,25	62,50	11,00	32
		1.575	2.441	2.451	.453				1.575	2.451	2.461	.433	
*40X63X7	S	40,00	62,75	63,00	7,00	32	*40X63.5X10	S	40,00	63,25	63,50	10,00	32
		1.575	2.470	2.480	.276				1.575	2.490	2.500	.394	
*40X64X10	S	40,00	63,75	64,00	10,00	32	*40X80.5X10	S	40,00	80,22	80,50	10,00	32
		1.575	2.510	2.520	.394				1.575	3.158	3.169	.394	
*40X64X12	S	40,00	63,75	64,00	12,00	32	*40X57.15X10	S	40,00	56,90	57,15	10,00	32
		1.575	2.510	2.520	.472				1.575	2.240	2.250	.394	
*40X65X8	S	40,00	64,75	65,00	8,00	32	*41X51X5	S	41,00	50,75	51,00	5,00	32
		1.575	2.549	2.559	.315				1.614	1.998	2.008	.197	
*40X65X12	S	40,00	64,75	65,00	12,00	32	*41X53X7	S	41,00	52,75	53,00	7,00	32
		1.575	2.549	2.559	.472				1.614	2.077	2.087	.276	
40X65X10	S	40,00	65,00	65,28	10,00	32	*41X54X7	S	41,00	53,75	54,00	7,00	32
		1.575	2.559	2.570	.394				1.614	2.116	2.126	.276	
*40X68X7	S	40,00	67,75	68,00	7,00	32	41X55X7	S	41,00	55,00	55,29	7,00	32
		1.575	2.667	2.677	.276				1.614	2.165	2.177	.276	
*40X68X10	S	40,00	67,75	68,00	10,00	32	41X56X7	S	41,00	56,00	56,25	7,00	32
		1.575	2.667	2.677	.394				1.614	2.205	2.215	.276	
40X68X8	S	40,00	68,00	68,80	8,00	35	*41X62X8	S	41,00	62,00	62,20	8,00	32
		1.575	2.677	2.709	.315				1.614	2.441	2.449	.315	
40X68X12	S	40,00	68,00	68,25	12,00	35	*41X64X10	S	41,00	63,75	64,00	10,00	32
		1.575	2.677	2.687	.472				1.614	2.510	2.520	.394	
*40X70X10	S	40,00	69,75	70,00	10,00	32	*41X55.7X9	S	41,00	55,45	55,70	9,00	32
		1.575	2.746	2.756	.394				1.614	2.183	2.193	.354	
*40X70X12	S	40,00	69,75	70,00	12,00	32	*41.7X55X7	S	41,70	54,75	55,00	7,00	32
		1.575	2.746	2.756	.472				1.642	2.155	2.165	.276	
40X70X8	S	40,00	70,00	70,20	8,00	32	*41.7X55X10	S	41,70	54,75	55,00	10,00	32
		1.575	2.756	2.764	.315				1.642	2.155	2.165	.394	
*40X72X10	S	40,00	71,75	72,00	10,00	32	*42X50X6	S	42,00	49,80	50,00	6,00	32
		1.575	2.825	2.835	.394				1.654	1.961	1.969	.236	
*40X72X12	S	40,00	71,75	72,00	12,00	32	*42X50X7	S	42,00	49,80	50,00	7,00	32
		1.575	2.825	2.835	.472				1.654	1.961	1.969	.276	
40X72X7	S	40,00	72,00	72,35	7,00	35	*42X52X4	S	42,00	51,75	52,00	4,00	32
		1.575	2.835	2.848	.276				1.654	2.037	2.047	.157	
*40X74X10	S	40,00	73,75	74,00	10,00	32	*42X52X6	S	42,00	51,75	52,00	6,00	32
		1.575	2.903	2.913	.394				1.654	2.037	2.047	.236	
*40X74X8	S	40,00	74,00	74,20	8,00	32	*42X52X7	S	42,00	51,75	52,00	7,00	32
		1.575	2.913	2.921	.315				1.654	2.037	2.047	.276	
*40X75X10	S	40,00	74,75	75,00	10,00	32	*42X54X7	S	42,00	53,75	54,00	7,00	32
		1.575	2.943	2.953	.394				1.654	2.116	2.126	.276	
*40X75X13	S	40,00	74,75	75,00	13,00	32	*42X55X9	S	42,00	54,75	55,00	9,00	32
		1.575	2.943	2.953	.512				1.654	2.155	2.165	.354	
40X75X8	S	40,00	75,00	75,20	8,00	32	42X55X7	S	42,00	55,00	55,20	7,00	32
		1.575	2.953	2.961	.315				1.654	2.165	2.173	.276	
*40X76X8	S	40,00	75,75	76,00	8,00	32	42X55X8	S	42,00	55,00	55,28	8,00	35
		1.575	2.982	2.992	.315				1.654	2.165	2.176	.315	
40X78X8	S	40,00	78,00	78,80	8,00	32	*42X55X8V	V	42,00	55,00	55,20	8,00	35
		1.575	3.071	3.102	.315				1.654	2.165	2.173	.315	
40X78X10	S	40,00	78,00	78,20	10,00	35	*42X56X6	S	42,00	55,75	56,00	6,00	32
		1.575	3.071	3.079	.394				1.654	2.195	2.205	.236	
*40X80X7	S	40,00	79,72	80,00	7,00	32	*42X56X10	S	42,00	55,75	56,00	10,00	32
		1.575	3.139	3.150	.276				1.654	2.195	2.205	.394	
*40X80X12	S	40,00	79,72	80,00	12,00	32	42X56X7	S	42,00	56,00	56,13	7,00	32
		1.575	3.139	3.150	.472				1.654	2.205	2.210	.276	
40X80X10	S	40,00	80,00	80,28	10,00	35	*42X56X7V	V	42,00	56,00	56,20	7,00	35
		1.575	3.150	3.161	.394				1.654	2.205	2.213	.276	
*40X80X10V	V	40,00	80,00	80,20	10,00	32	*42X58X8	S	42,00	57,75	58,00	8,00	32
		1.575	3.150	3.157	.394				1.654	2.273	2.283	.315	
*40X82X8	S	40,00	82,00	82,20	8,00	32	*42X58X10	S	42,00	57,75	58,00	10,00	32
		1.575	3.228	3.236	.315				1.654	2.273	2.283	.394	
*40X85X8	S	40,00	85,00	85,20	8,00	32	42X58X7	S	42,00	58,00	58,10	7,00	48
		1.575	3.346	3.354	.315				1.654	2.283	2.287	.276	
*40X88X8	S	40,00	88,00	88,20	8,00	32	*42X60X8	S	42,00	59,75	60,00	8,00	32
		1.575	3.465	3.472	.315				1.654	2.352	2.362	.315	
*40X90X10	S	40,00	89,72	90,00	10,00	32	*42X60X9	S	42,00	59,75	60,00	9,00	32
		1.575	3.532	3.543	.394				1.654	2.352	2.362	.354	

For Illustration and Material Data See Technical Section

* The U.S. customer service number is 877-4-TIMKEN. The Canadian customer service numbers are 800-565-4927 (English) and 800-565-0438 (French-Canadian).

Numerical List Size & Type

Part No.	Lip Mat'l	Shaft Size	Hsg. Bore	Seal O.D.	Seal Width	Type/ Illus.	Part No.	Lip Mat'l	Shaft Size	Hsg. Bore	Seal O.D.	Seal Width	Type/ Illus.
METRIC SERIES (cont.)							METRIC SERIES (cont.)						
*42X60X10	S	42,00	59,75	60,00	10,00	32	43X55X8	S	43,00	55,00	55,20	8,00	32
		1.654	2.352	2.362	.394				1.693	2.165	2.173	.315	
*42X60X12	S	42,00	59,75	60,00	12,00	32	*43X57X8	S	43,00	57,00	57,20	8,00	32
		1.654	2.352	2.362	.472				1.693	2.244	2.252	.315	
42X60X7	S	42,00	60,00	60,22	7,00	32	*43X58X8	S	43,00	57,75	58,00	8,00	32
		1.654	2.362	2.371	.276				1.693	2.273	2.283	.315	
*42X60X10V	V	42,00	60,00	60,20	10,00	35	*43X62X8	S	43,00	61,75	62,00	8,00	32
		1.654	2.362	2.370	.394				1.693	2.431	2.441	.315	
*42X62X7	S	42,00	61,75	62,00	7,00	32	*43X62X12	S	43,00	61,75	62,00	12,00	32
		1.654	2.431	2.441	.276				1.693	2.431	2.441	.472	
*42X62X10	S	42,00	61,75	62,00	10,00	32	43X65X8	S	43,00	65,00	65,20	8,00	32
		1.654	2.431	2.441	.394				1.693	2.559	2.567	.315	
*42X62X12	S	42,00	61,75	62,00	12,00	32	*43X66X10	S	43,00	65,75	66,00	10,00	32
		1.654	2.431	2.441	.472				1.693	2.588	2.598	.394	
42X62X8	S	42,00	62,00	62,27	8,00	35	*43X69X8	S	43,00	69,00	69,20	8,00	32
		1.654	2.441	2.452	.315				1.693	2.717	2.724	.315	
*42X62X8V	V	42,00	62,00	62,20	8,00	32	*43X73X8	S	43,00	73,00	73,20	8,00	32
		1.654	2.441	2.449	.315				1.693	2.874	2.882	.315	
*42X63X7	S	42,00	62,75	63,00	7,00	32	*43.5X62X6.5	S	43,50	61,75	62,00	6,50	32
		1.654	2.470	2.480	.276				1.713	2.431	2.441	.256	
*42X64X8	S	42,00	63,75	64,00	8,00	32	*44X54X7	S	44,00	53,75	54,00	7,00	32
		1.654	2.510	2.520	.315				1.732	2.116	2.126	.276	
*42X65X9	S	42,00	64,75	65,00	9,00	32	*44X58X8	S	44,00	58,00	58,20	8,00	32
		1.654	2.549	2.559	.354				1.732	2.283	2.291	.315	
*42X65X12	S	42,00	64,75	65,00	12,00	32	*44X60X9	S	44,00	59,75	60,00	9,00	32
		1.654	2.549	2.559	.472				1.732	2.352	2.362	.354	
*42X65X7.5	S	42,00	64,75	65,00	7,50	32	44X60X7	S	44,00	60,00	60,20	7,00	32
		1.654	2.549	2.559	.295				1.732	2.362	2.370	.276	
42X65X10	N	42,00	65,00	65,15	10,00	47	44X60X10	S	44,00	60,00	60,20	10,00	35
		1.654	2.559	2.565	.394				1.732	2.362	2.370	.394	
*42X65X10V	V	42,00	65,00	65,20	10,00	35	*44X62X7	S	44,00	61,75	62,00	7,00	32
		1.654	2.559	2.567	.394				1.732	2.431	2.441	.276	
42X68X8	S	42,00	68,00	68,20	8,00	32	*44X62X10	S	44,00	61,75	62,00	10,00	32
		1.654	2.677	2.685	.315				1.732	2.431	2.441	.394	
42X68X10	S	42,00	68,00	68,20	10,00	32	44X62X8↔	S	44,00	62,00	62,26	8,00	32
		1.654	2.677	2.685	.394				1.732	2.441	2.451	.315	
*42X70X8	S	42,00	69,75	70,00	8,00	32	*44X65X11	S	44,00	64,75	65,00	11,00	32
		1.654	2.746	2.756	.315				1.732	2.549	2.559	.433	
*42X70X12	S	42,00	69,75	70,00	12,00	32	44X65X10	S	44,00	65,00	65,28	10,00	35
		1.654	2.746	2.756	.472				1.732	2.559	2.570	.394	
42X70X10	S	42,00	70,00	70,20	10,00	32	*44X70X12	S	44,00	69,75	70,00	12,00	32
		1.654	2.756	2.764	.394				1.732	2.746	2.756	.472	
42X72X8	S	42,00	72,00	72,20	8,00	32	44X70X8	S	44,00	70,00	70,20	8,00	32
		1.654	2.835	2.843	.315				1.732	2.756	2.764	.315	
42X72X10	S	42,00	72,00	72,27	10,00	32	44X72X10	S	44,00	72,00	72,11	10,00	32
		1.654	2.835	2.845	.394				1.732	2.835	2.839	.394	
*42X72X10V	V	42,00	72,00	72,20	10,00	35	*44.5X62X10	S	44,50	61,75	62,00	10,00	32
		1.654	2.835	2.843	.394				1.752	2.431	2.441	.394	
*42X75X10	S	42,00	74,75	75,00	10,00	32	*45X54X4.5	S	45,00	53,75	54,00	4,50	32
		1.654	2.943	2.953	.394				1.772	2.116	2.126	.177	
*42X75X12	S	42,00	74,75	75,00	12,00	32	*45X55X5	S	45,00	54,75	55,00	5,00	32
		1.654	2.943	2.953	.472				1.772	2.155	2.165	.197	
*42X75X8	S	42,00	75,00	75,20	8,00	32	*45X55X7	S	45,00	54,75	55,00	7,00	32
		1.654	2.953	2.961	.315				1.772	2.155	2.165	.276	
*42X76X12	S	42,00	75,75	76,00	12,00	32	*45X55X8	S	45,00	54,75	55,00	8,00	32
		1.654	2.982	2.992	.472				1.772	2.155	2.165	.315	
*42X78X10	S	42,00	77,72	78,00	10,00	32	*45X55X10	S	45,00	54,75	55,00	10,00	32
		1.654	3.060	3.071	.394				1.772	2.155	2.165	.394	
*42X78X8	S	42,00	78,00	78,20	8,00	32	*45X56X6	S	45,00	55,75	56,00	6,00	32
		1.654	3.071	3.079	.315				1.772	2.195	2.205	.236	
42X80X8	S	42,00	80,00	80,20	8,00	32	*45X56X8	S	45,00	55,75	56,00	8,00	32
		1.654	3.150	3.157	.315				1.772	2.195	2.205	.315	
42X80X10	S	42,00	80,00	80,20	10,00	35	*45X57X9	S	45,00	56,75	57,00	9,00	32
		1.654	3.150	3.157	.394				1.772	2.234	2.244	.354	
*42.9X62X8	S	42,90	61,75	62,00	8,00	32	*45X57X5.5	S	45,00	56,75	57,00	5,50	32
		1.689	2.431	2.441	.315				1.772	2.234	2.244	.217	
*43X50X7	S	43,00	49,80	50,00	7,00	32	*45X58X8	S	45,00	57,75	58,00	8,00	32
		1.693	1.961	1.969	.276				1.772	2.273	2.283	.315	
*43X55X9	S	43,00	54,75	55,00	9,00	32	*45X58X10	S	45,00	57,75	58,00	10,00	32
		1.693	2.155	2.165	.354				1.772	2.273	2.283	.394	

NUMERICAL SECTION

For Illustration and Material Data See Technical Section

↔ Hydrodynamic Lip Design-Bidirectional

* The U.S. customer service number is 877-4-TIMKEN. The Canadian customer service numbers are 800-565-4927 (English) and 800-565-0438 (French-Canadian).

Part No.	Lip Mat'l	Shaft Size	Hsg. Bore	Seal O.D.	Seal Width	Type/Illus.	Part No.	Lip Mat'l	Shaft Size	Hsg. Bore	Seal O.D.	Seal Width	Type/Illus.
METRIC SERIES (cont.)							METRIC SERIES (cont.)						
45X58X7	S	45,00	58,00	58,28	7,00	35	*45X72X8V	V	45,00	72,00	72,20	8,00	32
		1.772	2.283	2.294	.276				1.772	2.835	2.843	.315	
*45X59X7	S	45,00	58,75	59,00	7,00	32	45X72X10	S	45,00	72,00	72,20	10,00	35
		1.772	2.313	2.323	.276				1.772	2.835	2.843	.394	
*45X59X10	S	45,00	58,75	59,00	10,00	32	45X72X12	S	45,00	72,00	72,28	12,00	35
		1.772	2.313	2.323	.394				1.772	2.835	2.846	.472	
*45X60X9	S	45,00	59,75	60,00	9,00	32	45X72X95	S	45,00	72,00	72,25	10,00	32
		1.772	2.352	2.362	.354				1.772	2.835	2.844	.394	
*45X60X12	S	45,00	59,75	60,00	12,00	32	*45X75X8	S	45,00	74,75	75,00	8,00	32
		1.772	2.352	2.362	.472				1.772	2.943	2.953	.315	
45X60X7	S	45,00	60,00	60,20	7,00	35	*45X75X10	S	45,00	74,75	75,00	10,00	32
		1.772	2.362	2.370	.276				1.772	2.943	2.953	.394	
45X60X8	S	45,00	60,00	60,20	8,00	35	*45X75X12	S	45,00	74,75	75,00	12,00	32
		1.772	2.362	2.370	.315				1.772	2.943	2.953	.472	
*45X60X8V	V	45,00	60,00	60,20	8,00	35	45X75X7	S	45,00	75,00	75,20	7,00	32
		1.772	2.362	2.370	.315				1.772	2.953	2.961	.276	
45X60X10	S	45,00	60,00	60,25	10,00	32	*45X75X10V	V	45,00	75,00	75,20	10,00	32
		1.772	2.362	2.372	.394				1.772	2.953	2.961	.394	
*45X62X7	S	45,00	61,75	62,00	7,00	32	*45X78X12	S	45,00	77,72	78,00	12,00	32
		1.772	2.431	2.441	.276				1.772	3.060	3.071	.472	
*45X62X9	S	45,00	61,75	62,00	9,00	32	*45X80X12	S	45,00	79,72	80,00	12,00	32
		1.772	2.431	2.441	.354				1.772	3.139	3.150	.472	
*45X62X10	S	45,00	61,75	62,00	10,00	32	45X80X10	S	45,00	80,00	80,28	10,00	32
		1.772	2.431	2.441	.394				1.772	3.150	3.161	.394	
*45X62X12	S	45,00	61,75	62,00	12,00	32	*45X82X12	S	45,00	81,72	82,00	12,00	32
		1.772	2.431	2.441	.472				1.772	3.217	3.228	.472	
45X62X8	S	45,00	62,00	62,30	8,00	35	*45X82X8	S	45,00	82,00	82,20	8,00	32
		1.772	2.441	2.453	.315				1.772	3.228	3.236	.315	
*45X62X8V	V	45,00	62,00	62,20	8,00	35	*45X85X12	S	45,00	84,72	85,00	12,00	32
		1.772	2.441	2.449	.315				1.772	3.335	3.346	.472	
*45X63X7	S	45,00	62,75	63,00	7,00	32	45X85X10	S	45,00	85,00	85,20	10,00	35
		1.772	2.470	2.480	.276				1.772	3.346	3.354	.394	
*45X64X7	S	45,00	63,75	64,00	7,00	32	45X85X13	S	45,00	85,00	85,25	13,00	45
		1.772	2.510	2.520	.276				1.772	3.346	3.356	.512	
*45X64X10	S	45,00	63,75	64,00	10,00	32	*45X90X10	S	45,00	89,72	90,00	10,00	32
		1.772	2.510	2.520	.394				1.772	3.532	3.543	.394	
*45X65X7	S	45,00	64,75	65,00	7,00	32	*45X100X10	S	45,00	99,72	100,00	10,00	32
		1.772	2.549	2.559	.276				1.772	3.926	3.937	.394	
*45X65X9	S	45,00	64,75	65,00	9,00	32	*45X63.5X10	S	45,00	63,25	63,50	10,00	32
		1.772	2.549	2.559	.354				1.772	2.490	2.500	.394	
*45X65X10	S	45,00	64,75	65,00	10,00	32	*45X68.3X7	S	45,00	68,05	68,30	7,00	32
		1.772	2.549	2.559	.394				1.772	2.679	2.689	.276	
*45X65X12	S	45,00	64,75	65,00	12,00	32	*45X74.5X12	S	45,00	74,25	74,50	12,00	32
		1.772	2.549	2.559	.472				1.772	2.923	2.933	.472	
45X65X8	S	45,00	65,00	65,28	8,00	32	*46X54X9	S	46,00	53,75	54,00	9,00	32
		1.772	2.559	2.570	.315				1.811	2.116	2.126	.354	
*45X65X8V	V	45,00	65,00	65,20	8,00	35	*46X58X7	S	46,00	57,75	58,00	7,00	32
		1.772	2.559	2.567	.315				1.811	2.273	2.283	.276	
*45X66X10	S	45,00	65,75	66,00	10,00	32	*46X59X8	S	46,00	59,00	59,20	8,00	32
		1.772	2.588	2.598	.394				1.811	2.323	2.331	.315	
*45X68X8	S	45,00	67,75	68,00	8,00	32	*46X60X7	S	46,00	59,75	60,00	7,00	32
		1.772	2.667	2.677	.315				1.811	2.352	2.362	.276	
*45X68X9	S	45,00	67,75	68,00	9,00	32	*46X60X10	S	46,00	59,75	60,00	10,00	32
		1.772	2.667	2.677	.354				1.811	2.352	2.362	.394	
*45X68X10	S	45,00	67,75	68,00	10,00	32	*46X60X8	S	46,00	60,00	60,20	8,00	32
		1.772	2.667	2.677	.394				1.811	2.362	2.370	.315	
*45X68X12	S	45,00	67,75	68,00	12,00	32	*46X62X8	S	46,00	62,00	62,20	8,00	32
		1.772	2.667	2.677	.472				1.811	2.441	2.449	.315	
45X68X7	S	45,00	68,00	68,28	7,00	32	46X65X7	S	46,00	65,00	65,20	7,00	32
		1.772	2.677	2.688	.276				1.811	2.559	2.567	.276	
*45X68X10V	V	45,00	68,00	68,20	10,00	35	*46X68X8	S	46,00	68,00	68,20	8,00	32
		1.772	2.677	2.685	.394				1.811	2.677	2.685	.315	
*45X70X12	S	45,00	69,75	70,00	12,00	32	46X70X8	S	46,00	70,00	70,20	8,00	32
		1.772	2.746	2.756	.472				1.811	2.756	2.764	.315	
45X70X10	S	45,00	70,00	70,18	10,00	32	*46X72X8	S	46,00	72,00	72,20	8,00	32
		1.772	2.756	2.763	.394				1.811	2.835	2.843	.315	
*45X72X8	S	45,00	71,75	72,00	8,00	32	*46X73X8	S	46,00	73,00	73,20	8,00	32
		1.772	2.825	2.835	.315				1.811	2.874	2.882	.315	
45X72X7	S	45,00	72,00	72,28	7,00	35	*46X59.1X12	S	46,00	58,85	59,10	12,00	32
		1.772	2.835	2.846	.276				1.811	2.317	2.327	.472	

For Illustration and Material Data See Technical Section

* The U.S. customer service number is 877-4-TIMKEN. The Canadian customer service numbers are 800-565-4927 (English) and 800-565-0438 (French-Canadian).

Numerical List Size & Type

Part No.	Lip Mat'l	Shaft Size	Hsg. Bore	Seal O.D.	Seal Width	Type/ Illus.	Part No.	Lip Mat'l	Shaft Size	Hsg. Bore	Seal O.D.	Seal Width	Type/ Illus.
METRIC SERIES (cont.)							METRIC SERIES (cont.)						
*47X57X7	S	47,00	56,75	57,00	7,00	32	*48X72X9	S	48,00	71,75	72,00	9,00	32
		1.850	2.234	2.244	.276				1.890	2.825	2.835	.354	
*47X60X7	S	47,00	59,75	60,00	7,00	32	*48X72X10	S	48,00	71,75	72,00	10,00	32
		1.850	2.352	2.362	.276				1.890	2.825	2.835	.394	
*47X60X8	S	47,00	60,00	60,20	8,00	32	*48X72X12	S	48,00	71,75	72,00	12,00	32
		1.850	2.362	2.370	.315				1.890	2.825	2.835	.472	
*47X62X6	S	47,00	61,75	62,00	6,00	32	48X72X7	S	48,00	72,00	72,31	7,00	32
		1.850	2.431	2.441	.236				1.890	2.835	2.847	.276	
47X62X8	S	47,00	62,00	62,20	8,00	32	*48X72X8V	V	48,00	72,00	72,20	8,00	35
		1.850	2.441	2.449	.315				1.890	2.835	2.843	.315	
*47X65X10	S	47,00	64,75	65,00	10,00	32	*48X74X10	S	48,00	73,75	74,00	10,00	32
		1.850	2.549	2.559	.394				1.890	2.903	2.913	.394	
47X65X8	S	47,00	65,00	65,20	8,00	32	*48X74X12	S	48,00	73,75	74,00	12,00	32
		1.850	2.559	2.567	.315				1.890	2.903	2.913	.472	
47X68X10	S	47,00	68,00	68,27	10,00	32	*48X75X12	S	48,00	74,75	75,00	12,00	32
		1.850	2.677	2.688	.394				1.890	2.943	2.953	.472	
47X70X10	S	47,00	70,00	70,20	10,00	32	48X75X10	S	48,00	75,00	75,20	10,00	32
		1.850	2.756	2.764	.394				1.890	2.953	2.961	.394	
*48X58X4	S	48,00	57,75	58,00	4,00	32	*48X78X8	S	48,00	78,00	78,20	8,00	32
		1.890	2.273	2.283	.157				1.890	3.071	3.079	.315	
*48X58X8	S	48,00	58,00	58,20	8,00	32	*48X80X10	S	48,00	79,72	80,00	10,00	32
		1.890	2.283	2.291	.315				1.890	3.139	3.150	.394	
*48X59X6	S	48,00	58,75	59,00	6,00	32	48X80X8	S	48,00	80,00	80,20	8,00	32
		1.890	2.313	2.323	.236				1.890	3.150	3.157	.315	
*48X60X8	S	48,00	59,75	60,00	8,00	32	*48X82X10	S	48,00	81,72	82,00	10,00	32
		1.890	2.352	2.362	.315				1.890	3.217	3.228	.394	
*48X60X10	S	48,00	59,75	60,00	10,00	32	*48X82X8	S	48,00	82,00	82,20	8,00	32
		1.890	2.352	2.362	.394				1.890	3.228	3.236	.315	
*48X62X7	S	48,00	61,75	62,00	7,00	32	*48X85X10	S	48,00	84,72	85,00	10,00	32
		1.890	2.431	2.441	.276				1.890	3.335	3.346	.394	
*48X62X9	S	48,00	61,75	62,00	9,00	32	*48X85X8	S	48,00	85,00	85,20	8,00	32
		1.890	2.431	2.441	.354				1.890	3.346	3.354	.315	
*48X62X10	S	48,00	61,75	62,00	10,00	32	*48X88X8	S	48,00	88,00	88,20	8,00	32
		1.890	2.431	2.441	.394				1.890	3.465	3.472	.315	
*48X62X12	S	48,00	61,75	62,00	12,00	32	*48X90X13	S	48,00	89,72	90,00	13,00	32
		1.890	2.431	2.441	.472				1.890	3.532	3.543	.512	
48X62X8	S	48,00	62,00	62,10	8,00	35	48X90X10	S	48,00	90,00	90,20	10,00	35
		1.890	2.441	2.445	.315				1.890	3.543	3.551	.394	
*48X62X8V	V	48,00	62,00	62,20	8,00	35	*48X70.5X10	S	48,00	70,25	70,50	10,00	32
		1.890	2.441	2.449	.315				1.890	2.766	2.776	.394	
48X63X9	S	48,00	63,00	63,09	9,00	47	*48X72.5X10	S	48,00	72,25	72,50	10,00	32
		1.890	2.480	2.484	.354				1.890	2.844	2.854	.394	
*48X65X7	S	48,00	64,75	65,00	7,00	32	*49X62X6	S	49,00	61,75	62,00	6,00	32
		1.890	2.549	2.559	.276				1.929	2.431	2.441	.236	
*48X65X9	S	48,00	64,75	65,00	9,00	32	*49X76X15	S	49,00	75,75	76,00	15,00	32
		1.890	2.549	2.559	.354				1.929	2.982	2.992	.591	
*48X65X12	S	48,00	64,75	65,00	12,00	32	*50X60X8	S	50,00	59,75	60,00	8,00	32
		1.890	2.549	2.559	.472				1.969	2.352	2.362	.315	
48X65X10	S	48,00	65,00	65,30	10,00	32	*50X60X10	S	50,00	59,75	60,00	10,00	32
		1.890	2.559	2.571	.394				1.969	2.352	2.362	.394	
*48X65X10V	V	48,00	65,00	65,20	10,00	32	*50X62X9	S	50,00	61,75	62,00	9,00	32
		1.890	2.559	2.567	.394				1.969	2.431	2.441	.354	
*48X67X11	S	48,00	66,75	67,00	11,00	32	*50X62X10	S	50,00	61,75	62,00	10,00	32
		1.890	2.628	2.638	.433				1.969	2.431	2.441	.394	
*48X68X8	S	48,00	67,75	68,00	8,00	32	50X62X7	S	50,00	62,00	62,28	7,00	32
		1.890	2.667	2.677	.315				1.969	2.441	2.452	.276	
48X68X10	N	48,00	68,00	68,27	10,00	32	*50X63X8	S	50,00	62,75	63,00	8,00	32
		1.890	2.677	2.688	.394				1.969	2.470	2.480	.315	
*48X70X7	S	48,00	69,75	70,00	7,00	32	*50X64X8	S	50,00	63,75	64,00	8,00	32
		1.890	2.746	2.756	.276				1.969	2.510	2.520	.315	
*48X70X10	S	48,00	69,75	70,00	10,00	32	*50X64X9	S	50,00	63,75	64,00	9,00	32
		1.890	2.746	2.756	.394				1.969	2.510	2.520	.354	
*48X70X12	S	48,00	69,75	70,00	12,00	32	*50X64X10	S	50,00	63,75	64,00	10,00	32
		1.890	2.746	2.756	.472				1.969	2.510	2.520	.394	
48X70X8	S	48,00	70,00	70,20	8,00	35	*50X65X9	S	50,00	64,75	65,00	9,00	32
		1.890	2.756	2.764	.315				1.969	2.549	2.559	.354	
48X70X9	S	48,00	70,00	70,28	9,00	35	*50X65X10	S	50,00	64,75	65,00	10,00	32
		1.890	2.756	2.767	.354				1.969	2.549	2.559	.394	
*48X72X8	S	48,00	71,75	72,00	8,00	32	50X65X8	S	50,00	65,00	65,28	8,00	32
		1.890	2.825	2.835	.315				1.969	2.559	2.570	.315	

NUMERICAL SECTION

For Illustration and Material Data See Technical Section

* The U.S. customer service number is 877-4-TIMKEN. The Canadian customer service numbers are 800-565-4927 (English) and 800-565-0438 (French-Canadian).

Part No.	Lip Mat'l	Shaft Size	Hsg. Bore	Seal O.D.	Seal Width	Type/ Illus.	Part No.	Lip Mat'l	Shaft Size	Hsg. Bore	Seal O.D.	Seal Width	Type/ Illus.
METRIC SERIES (cont.)							METRIC SERIES (cont.)						
*50X65X8V	V	50,00	65,00	65,20	8,00	32	*50X82X12	S	50,00	81,72	82,00	12,00	32
		1.969	2.559	2.567	.315				1.969	3.217	3.228	.472	
*50X66X6	S	50,00	65,75	66,00	6,00	32	*50X85X10	S	50,00	84,72	85,00	10,00	32
		1.969	2.588	2.598	.236				1.969	3.335	3.346	.394	
*50X67X9	S	50,00	66,75	67,00	9,00	32	*50X85X12	S	50,00	84,72	85,00	12,00	32
		1.969	2.628	2.638	.354				1.969	3.335	3.346	.472	
*50X67X10	S	50,00	66,75	67,00	10,00	32	50X85X8	S	50,00	85,00	85,20	8,00	32
		1.969	2.628	2.638	.394				1.969	3.346	3.354	.315	
*50X68X7	S	50,00	67,75	68,00	7,00	32	*50X88X8	S	50,00	88,00	88,20	8,00	32
		1.969	2.667	2.677	.276				1.969	3.465	3.472	.315	
*50X68X9	S	50,00	67,75	68,00	9,00	32	*50X90X13	S	50,00	89,72	90,00	13,00	32
		1.969	2.667	2.677	.354				1.969	3.532	3.543	.512	
*50X68X10	S	50,00	67,75	68,00	10,00	32	50X90X8	S	50,00	90,00	90,20	8,00	32
		1.969	2.667	2.677	.394				1.969	3.543	3.551	.315	
50X68X8	S	50,00	68,00	68,28	8,00	35	50X90X10	S	50,00	90,00	90,28	10,00	35
		1.969	2.677	2.688	.315				1.969	3.543	3.554	.394	
*50X68X8V	V	50,00	68,00	68,20	8,00	32	*50X90X10V	V	50,00	90,00	90,20	10,00	35
		1.969	2.677	2.685	.315				1.969	3.543	3.551	.394	
*50X70X10	S	50,00	69,75	70,00	10,00	32	*50X100X10	S	50,00	99,72	100,00	10,00	32
		1.969	2.746	2.756	.394				1.969	3.926	3.937	.394	
*50X70X12	S	50,00	69,75	70,00	12,00	32	*51X63X8	S	51,00	63,00	63,20	8,00	32
		1.969	2.746	2.756	.472				2.008	2.480	2.488	.315	
*50X70X13	S	50,00	69,75	70,00	13,00	32	*51X65X13	S	51,00	64,75	65,00	13,00	32
		1.969	2.746	2.756	.512				2.008	2.549	2.559	.512	
50X70X8	S	50,00	70,00	70,20	8,00	32	51X65X7	S	51,00	65,00	65,10	7,00	47
		1.969	2.756	2.764	.315				2.008	2.559	2.563	.276	
50X70X9	S	50,00	70,00	70,20	9,00	32	*51X73X8	S	51,00	73,00	73,20	8,00	32
		1.969	2.756	2.764	.354				2.008	2.874	2.882	.315	
*50X70X10V	V	50,00	70,00	70,20	10,00	35	*51X80X8	S	51,00	80,00	80,20	8,00	32
		1.969	2.756	2.764	.394				2.008	3.150	3.157	.315	
*50X72X7	S	50,00	71,75	72,00	7,00	32	*51X81X8	S	51,00	81,00	81,20	8,00	32
		1.969	2.825	2.835	.276				2.008	3.189	3.197	.315	
*50X72X9	S	50,00	71,75	72,00	9,00	32	*51X90X8	S	51,00	90,00	90,20	8,00	32
		1.969	2.825	2.835	.354				2.008	3.543	3.551	.315	
*50X72X10	S	50,00	71,75	72,00	10,00	32	*51X92X8	S	51,00	92,00	92,20	8,00	32
		1.969	2.825	2.835	.394				2.008	3.622	3.630	.315	
*50X72X12	S	50,00	71,75	72,00	12,00	32	*51X66.5X10	S	51,00	66,25	66,50	10,00	32
		1.969	2.825	2.835	.472				2.008	2.608	2.618	.394	
50X72X8	S	50,00	72,00	72,28	8,00	32	*52X62X7	S	52,00	61,75	62,00	7,00	32
		1.969	2.835	2.846	.315				2.047	2.431	2.441	.276	
*50X72X8V	V	50,00	72,00	72,20	8,00	32	*52X62X10	S	52,00	61,75	62,00	10,00	32
		1.969	2.835	2.843	.315				2.047	2.431	2.441	.394	
*50X73X9	S	50,00	72,75	73,00	9,00	32	*52X63X8	S	52,00	62,75	63,00	8,00	32
		1.969	2.864	2.874	.354				2.047	2.470	2.480	.315	
*50X75X10	S	50,00	74,75	75,00	10,00	32	*52X64X9	S	52,00	63,75	64,00	9,00	32
		1.969	2.943	2.953	.394				2.047	2.510	2.520	.354	
50X75X7	S	50,00	75,00	75,20	7,00	32	*52X65X8	S	52,00	64,75	65,00	8,00	32
		1.969	2.953	2.961	.276				2.047	2.549	2.559	.315	
*50X75X8	S	50,00	75,00	75,20	8,00	32	*52X65X10	S	52,00	64,75	65,00	10,00	32
		1.969	2.953	2.961	.315				2.047	2.549	2.559	.394	
50X75X12	S	50,00	75,00	75,28	12,00	32	52X65X9	S	52,00	65,00	65,30	9,00	32
		1.969	2.953	2.964	.472				2.047	2.559	2.571	.354	
*50X76X12	S	50,00	75,75	76,00	12,00	32	*52X68X7	S	52,00	67,75	68,00	7,00	32
		1.969	2.982	2.992	.472				2.047	2.667	2.677	.276	
*50X78X12	S	50,00	77,72	78,00	12,00	32	*52X68X10	S	52,00	67,75	68,00	10,00	32
		1.969	3.060	3.071	.472				2.047	2.667	2.677	.394	
*50X78X8	S	50,00	78,00	78,20	8,00	32	52X68X8	S	52,00	68,00	68,28	8,00	32
		1.969	3.071	3.079	.315				2.047	2.677	2.688	.315	
*50X80X10	S	50,00	79,72	80,00	10,00	32	*52X68X8V	V	52,00	68,00	68,20	8,00	35
		1.969	3.139	3.150	.394				2.047	2.677	2.685	.315	
*50X80X12	S	50,00	79,72	80,00	12,00	32	52X69X10	S	52,00	69,00	69,28	10,00	35
		1.969	3.139	3.150	.472				2.047	2.717	2.728	.394	
*50X80X13	S	50,00	79,72	80,00	13,00	32	*52X70X9	S	52,00	69,75	70,00	9,00	32
		1.969	3.139	3.150	.512				2.047	2.746	2.756	.354	
50X80X8	S	50,00	80,00	80,28	8,00	32	*52X70X13	S	52,00	69,75	70,00	13,00	32
		1.969	3.150	3.161	.315				2.047	2.746	2.756	.512	
*50X80X8V	V	50,00	80,00	80,20	8,00	32	52X70X8	S	52,00	70,00	70,20	8,00	32
		1.969	3.150	3.157	.315				2.047	2.756	2.764	.315	
*50X81X12	S	50,00	80,72	81,00	12,00	32	*52X72X9	S	52,00	71,75	72,00	9,00	32
		1.969	3.178	3.189	.472				2.047	2.825	2.835	.354	

For Illustration and Material Data See Technical Section

* The U.S. customer service number is 877-4-TIMKEN. The Canadian customer service numbers are 800-565-4927 (English) and 800-565-0438 (French-Canadian).

Numerical List Size & Type

Part No.	Lip Mat'l	Shaft Size	Hsg. Bore	Seal O.D.	Seal Width	Type/ Illus.	Part No.	Lip Mat'l	Shaft Size	Hsg. Bore	Seal O.D.	Seal Width	Type/ Illus.
METRIC SERIES (cont.)							METRIC SERIES (cont.)						
*52X72X10	S	52,00	71,75	72,00	10,00	32	54X82X10	S	54,00	82,00	82,35	10,00	32
		2.047	2.825	2.835	.394				2.126	3.228	3.242	.394	
*52X72X12	S	52,00	71,75	72,00	12,00	32	54X85X10	S	54,00	85,00	85,28	10,00	32
		2.047	2.825	2.835	.472				2.126	3.346	3.357	.394	
52X72X8	S	52,00	72,00	72,20	8,00	35	*54X72.5X9	S	54,00	72,25	72,50	9,00	32
		2.047	2.835	2.843	.315				2.126	2.844	2.854	.354	
*52X72X8V	V	52,00	72,00	72,20	8,00	32	*54.5X70X8	S	54,50	69,75	70,00	8,00	32
		2.047	2.835	2.843	.315				2.146	2.746	2.756	.315	
*52X75X10	S	52,00	74,75	75,00	10,00	32	*55X65X8	S	55,00	64,75	65,00	8,00	32
		2.047	2.943	2.953	.394				2.165	2.549	2.559	.315	
52X75X12	S	52,00	75,00	75,28	12,00	32	*55X65X10	S	55,00	64,75	65,00	10,00	32
		2.047	2.953	2.964	.472				2.165	2.549	2.559	.394	
*52X78X10	S	52,00	77,72	78,00	10,00	32	*55X68X10	S	55,00	67,75	68,00	10,00	32
		2.047	3.060	3.071	.394				2.165	2.667	2.677	.394	
*52X80X13	S	52,00	79,72	80,00	13,00	32	55X68X8	S	55,00	68,00	68,28	8,00	32
		2.047	3.139	3.150	.512				2.165	2.677	2.688	.315	
52X80X10↔	S	52,00	80,00	80,28	10,00	32	*55X70X9	S	55,00	69,75	70,00	9,00	32
		2.047	3.150	3.161	.394				2.165	2.746	2.756	.354	
52X82X8	S	52,00	82,00	82,20	8,00	32	*55X70X10	S	55,00	69,75	70,00	10,00	32
		2.047	3.228	3.236	.315				2.165	2.746	2.756	.394	
*52X85X9	S	52,00	84,72	85,00	9,00	32	*55X70X12	S	55,00	69,75	70,00	12,00	32
		2.047	3.335	3.346	.354				2.165	2.746	2.756	.472	
*52X85X10	S	52,00	84,72	85,00	10,00	32	55X70X8	S	55,00	70,00	70,27	8,00	35
		2.047	3.335	3.346	.394				2.165	2.756	2.767	.315	
52X85X7	S	52,00	85,00	85,20	8,00	32	*55X70X8V	V	55,00	70,00	70,20	8,00	32
		2.047	3.346	3.354	.315				2.165	2.756	2.764	.315	
*52X85X8	S	52,00	85,00	85,20	8,00	32	*55X72X9	S	55,00	71,75	72,00	9,00	32
		2.047	3.346	3.354	.315				2.165	2.825	2.835	.354	
*52X90X10	S	52,00	89,72	90,00	10,00	32	*55X72X10	S	55,00	71,75	72,00	10,00	32
		2.047	3.532	3.543	.394				2.165	2.825	2.835	.394	
53X68X10	S	53,00	68,00	68,28	10,00	32	*55X72X12	S	55,00	71,75	72,00	12,00	32
		2.087	2.677	2.688	.394				2.165	2.825	2.835	.472	
*53X72X10	S	53,00	71,75	72,00	10,00	32	55X72X8	S	55,00	72,00	72,25	8,00	32
		2.087	2.825	2.835	.394				2.165	2.835	2.844	.315	
*53X73X10	S	53,00	72,75	73,00	10,00	32	*55X72X8V	V	55,00	72,00	72,20	8,00	32
		2.087	2.864	2.874	.394				2.165	2.835	2.843	.315	
*53X80X13	S	53,00	79,72	80,00	13,00	32	*55X73X10	S	55,00	72,75	73,00	10,00	32
		2.087	3.139	3.150	.512				2.165	2.864	2.874	.394	
*53X68.2X7	S	53,00	67,95	68,20	7,00	32	*55X75X9	S	55,00	74,75	75,00	9,00	32
		2.087	2.675	2.685	.276				2.165	2.943	2.953	.354	
*54X64X9	S	54,00	63,75	64,00	9,00	32	*55X75X12	S	55,00	74,75	75,00	12,00	32
		2.126	2.510	2.520	.354				2.165	2.943	2.953	.472	
*54X65X10	S	54,00	64,75	65,00	10,00	32	55X75X8	S	55,00	75,00	75,20	8,00	35
		2.126	2.549	2.559	.394				2.165	2.953	2.961	.315	
*54X65X13	S	54,00	64,75	65,00	13,00	32	55X75X10	S	55,00	75,00	75,35	10,00	35
		2.126	2.549	2.559	.512				2.165	2.953	2.967	.394	
54X65X8	S	54,00	65,00	65,20	8,00	32	*55X75X10V	V	55,00	75,00	75,20	10,00	35
		2.126	2.559	2.567	.315				2.165	2.953	2.961	.394	
*54X68X10	S	54,00	67,75	68,00	10,00	32	*55X76X12	S	55,00	75,75	76,00	12,00	32
		2.126	2.667	2.677	.394				2.165	2.982	2.992	.472	
*54X70X9	S	54,00	69,75	70,00	9,00	32	*55X78X9	S	55,00	77,72	78,00	9,00	32
		2.126	2.746	2.756	.354				2.165	3.060	3.071	.354	
54X72X10	S	54,00	72,00	72,25	10,00	32	*55X78X12	S	55,00	77,72	78,00	12,00	32
		2.126	2.835	2.844	.394				2.165	3.060	3.071	.472	
54X73X8	S	54,00	73,00	73,20	8,00	32	55X78X10	S	55,00	78,00	78,28	10,00	32
		2.126	2.874	2.882	.315				2.165	3.071	3.082	.394	
*54X74X10	S	54,00	73,75	74,00	10,00	32	*55X80X10	S	55,00	79,72	80,00	10,00	32
		2.126	2.903	2.913	.394				2.165	3.139	3.150	.394	
*54X75X10	S	54,00	74,75	75,00	10,00	32	*55X80X12	S	55,00	79,72	80,00	12,00	32
		2.126	2.943	2.953	.394				2.165	3.139	3.150	.472	
*54X76X8	S	54,00	75,75	76,00	8,00	32	55X80X8	S	55,00	80,00	80,28	8,00	32
		2.126	2.982	2.992	.315				2.165	3.150	3.161	.315	
*54X80X10	S	54,00	79,72	80,00	10,00	32	*55X80X8V	V	55,00	80,00	80,20	8,00	35
		2.126	3.139	3.150	.394				2.165	3.150	3.157	.315	
*54X81X10	S	54,00	80,72	81,00	10,00	32	*55X82X9	S	55,00	81,72	82,00	9,00	32
		2.126	3.178	3.189	.394				2.165	3.217	3.228	.354	
*54X81X8	S	54,00	81,00	81,20	8,00	32	55X82X12	S	55,00	82,00	82,30	12,00	32
		2.126	3.189	3.197	.315				2.165	3.228	3.240	.472	
*54X82X11	S	54,00	81,72	82,00	11,00	32	*55X85X12	S	55,00	84,72	85,00	12,00	32
		2.126	3.217	3.228	.433				2.165	3.335	3.346	.472	

NUMERICAL SECTION

For Illustration and Material Data See Technical Section

↔ Hydrodynamic Lip Design-Bidirectional

* The U.S. customer service number is 877-4-TIMKEN. The Canadian customer service numbers are 800-565-4927 (English) and 800-565-0438 (French-Canadian).

Part No.	Lip Mat'l	Shaft Size	Hsg. Bore	Seal O.D.	Seal Width	Type/Illus.	Part No.	Lip Mat'l	Shaft Size	Hsg. Bore	Seal O.D.	Seal Width	Type/Illus.
METRIC SERIES (cont.)							METRIC SERIES (cont.)						
*55X85X14	S	55,00	84,72	85,00	14,00	32	*57X67X6	S	57,00	66,75	67,00	6,00	32
		2.165	3.335	3.346	.551				2.244	2.628	2.638	.236	
55X85X8	S	55,00	85,00	85,20	8,00	32	*57X75X12	S	57,00	74,75	75,00	12,00	32
		2.165	3.346	3.354	.315				2.244	2.943	2.953	.472	
55X85X10	S	55,00	85,00	85,31	10,00	32	*57X80X12	S	57,00	79,72	80,00	12,00	32
		2.165	3.346	3.359	.394				2.244	3.139	3.150	.472	
55X88X8↔	S	55,00	88,00	88,20	8,00	32	*57X81X8	S	57,00	81,00	81,20	8,00	32
		2.165	3.465	3.472	.315				2.244	3.189	3.197	.315	
*55X88X10	S	55,00	88,00	88,20	8,00	32	*57X85X10	S	57,00	84,72	85,00	10,00	32
		2.165	3.465	3.472	.315				2.244	3.335	3.346	.394	
55X90X8	S	55,00	90,00	90,27	8,00	32	*57X85X12	S	57,00	84,72	85,00	12,00	32
		2.165	3.543	3.554	.315				2.244	3.335	3.346	.472	
*55X90X8	S	55,00	89,72	90,00	8,00	32	*57X85X15	S	57,00	84,72	85,00	15,00	32
		2.165	3.532	3.543	.315				2.244	3.335	3.346	.591	
*55X90X10	S	55,00	89,72	90,00	10,00	32	57X85X13	S	57,00	85,00	85,20	13,00	32
		2.165	3.532	3.543	.394				2.244	3.346	3.354	.512	
55X90X13	S	55,00	90,00	90,28	13,00	32	*57X92X8	S	57,00	92,00	92,20	8,00	32
		2.165	3.543	3.554	.512				2.244	3.622	3.630	.315	
*55X95X8	S	55,00	95,00	95,20	8,00	32	*57X82.5X10	S	57,00	82,22	82,50	10,00	32
		2.165	3.740	3.748	.315				2.244	3.237	3.248	.394	
*55X100X10	S	55,00	99,72	100,00	10,00	32	*58X68X9	S	58,00	67,75	68,00	9,00	32
		2.165	3.926	3.937	.394				2.283	2.667	2.677	.354	
*55X100X12	S	55,00	99,72	100,00	12,00	32	*58X70X7	S	58,00	69,75	70,00	7,00	32
		2.165	3.926	3.937	.472				2.283	2.746	2.756	.276	
55X100X7	S	55,00	75,00	75,20	7,00	32	*58X70X11	S	58,00	69,75	70,00	11,00	32
		2.165	2.953	2.961	.276				2.283	2.746	2.756	.433	
55X100X13	S	55,00	100,00	100,30	12,70	45	*58X72X9	S	58,00	71,75	72,00	9,00	32
		2.165	3.937	3.949	.500				2.283	2.825	2.835	.354	
56X68X10	N	56,00	68,00	68,12	10,00	32	*58X72X10	S	58,00	71,75	72,00	10,00	32
		2.205	2.677	2.682	.394				2.283	2.825	2.835	.394	
*56X70X9	S	56,00	69,75	70,00	9,00	32	58X72X8	S	58,00	72,00	72,28	8,00	32
		2.205	2.746	2.756	.354				2.283	2.835	2.846	.315	
56X70X8	S	56,00	70,00	70,20	8,00	35	*58X72X8V	V	58,00	72,00	72,20	8,00	35
		2.205	2.756	2.764	.315				2.283	2.835	2.843	.315	
*56X70X8V	V	56,00	70,00	70,20	8,00	35	*58X74X10	S	58,00	73,75	74,00	10,00	32
		2.205	2.756	2.764	.315				2.283	2.903	2.913	.394	
*56X72X8	S	56,00	71,75	72,00	8,00	32	58X75X7	S	58,00	75,00	75,26	7,00	32
		2.205	2.825	2.835	.315				2.283	2.953	2.963	.276	
*56X72X9	S	56,00	71,75	72,00	9,00	32	*58X75X9	S	58,00	74,75	75,00	9,00	32
		2.205	2.825	2.835	.354				2.283	2.943	2.953	.354	
56X72X7	S	56,00	72,00	72,20	7,00	32	*58X75X10	S	58,00	74,75	75,00	10,00	32
		2.205	2.835	2.843	.276				2.283	2.943	2.953	.394	
56X72X11.5	S	56,00	72,00	72,40	11,50	35	*58X75X12	S	58,00	74,75	75,00	12,00	32
		2.205	2.835	2.850	.453				2.283	2.943	2.953	.472	
56X72X11.5	S	56,00	72,00	72,40	11,50	35	58X75X11	S	58,00	75,00	75,28	11,00	35
		2.205	2.835	2.850	.453				2.283	2.953	2.964	.433	
*56X73X10	S	56,00	72,75	73,00	10,00	32	*58X78X9	S	58,00	77,72	78,00	9,00	32
		2.205	2.864	2.874	.394				2.283	3.060	3.071	.354	
56X75X7	S	56,00	75,00	75,20	7,00	32	*58X78X12	S	58,00	77,72	78,00	12,00	32
		2.205	2.953	2.961	.276				2.283	3.060	3.071	.472	
*56X76X8	S	56,00	75,75	76,00	8,00	32	*58X78X8	S	58,00	78,00	78,20	8,00	32
		2.205	2.982	2.992	.315				2.283	3.071	3.079	.315	
*56X78X8	S	56,00	78,00	78,20	8,00	32	*58X80X9	S	58,00	79,72	80,00	9,00	32
		2.205	3.071	3.079	.315				2.283	3.139	3.150	.354	
*56X80X10	S	56,00	79,72	80,00	10,00	32	*58X80X10	S	58,00	79,72	80,00	10,00	32
		2.205	3.139	3.150	.394				2.283	3.139	3.150	.394	
*56X80X13	S	56,00	79,72	80,00	13,00	32	*58X80X12	S	58,00	79,72	80,00	12,00	32
		2.205	3.139	3.150	.512				2.283	3.139	3.150	.472	
56X80X8	S	56,00	80,00	80,28	8,00	32	*58X80X13	S	58,00	79,72	80,00	13,00	32
		2.205	3.150	3.161	.315				2.283	3.139	3.150	.512	
56X82X8	S	56,00	82,00	82,20	8,00	32	58X80X8	S	58,00	80,00	80,28	8,00	32
		2.205	3.228	3.236	.315				2.283	3.150	3.161	.315	
*56X85X10	S	56,00	84,72	85,00	10,00	32	*58X80X8V	V	58,00	80,00	80,20	8,00	35
		2.205	3.335	3.346	.394				2.283	3.150	3.157	.315	
56X85X8	S	56,00	85,00	85,28	8,00	35	*58X82X12	S	58,00	81,72	82,00	12,00	32
		2.205	3.346	3.357	.315				2.283	3.217	3.228	.472	
56X88X8	S	56,00	88,00	88,20	8,00	32	*58X82X8	S	58,00	82,00	82,20	8,00	32
		2.205	3.465	3.472	.315				2.283	3.228	3.236	.315	
56X90X8	S	56,00	90,00	90,20	8,00	32	*58X85X8	S	58,00	84,72	85,00	8,00	32
		2.205	3.543	3.551	.315				2.283	3.335	3.346	.315	

For Illustration and Material Data See Technical Section

↔ Hydrodynamic Lip Design-Bidirectional

Numerical List Size & Type

Part No.	Lip Mat'l	Shaft Size	Hsg. Bore	Seal O.D.	Seal Width	Type/ Illus.	Part No.	Lip Mat'l	Shaft Size	Hsg. Bore	Seal O.D.	Seal Width	Type/ Illus.
METRIC SERIES (cont.)							METRIC SERIES (cont.)						
*58X85X12	S	58,00	84,72	85,00	12,00	32	60X85X8	S	60,00	85,00	85,28	8,00	32
		2.283	3.335	3.346	.472				2.362	3.346	3.357	.315	
58X85X10	S	58,00	85,00	85,28	10,00	35	*60X85X8V	V	60,00	85,00	85,20	8,00	32
		2.283	3.346	3.357	.394				2.362	3.346	3.354	.315	
58X85X13	S	58,00	85,00	85,25	13,00	32	60X85X12	S	60,00	85,00	85,20	12,00	32
		2.283	3.346	3.356	.512				2.362	3.346	3.354	.472	
58X88X8	S	58,00	88,00	88,20	8,00	32	*60X86X10	S	60,00	85,72	86,00	10,00	32
		2.283	3.465	3.472	.315				2.362	3.375	3.386	.394	
58X90X10	S	58,00	90,00	90,28	10,00	35	*60X88X8	S	60,00	88,00	88,20	8,00	32
		2.283	3.543	3.554	.394				2.362	3.465	3.472	.315	
*58X92X8	S	58,00	91,72	92,00	8,00	32	*60X90X11	S	60,00	89,72	90,00	11,00	32
		2.283	3.611	3.622	.315				2.362	3.532	3.543	.433	
*60X70X10	S	60,00	69,75	70,00	10,00	32	*60X90X12	S	60,00	89,72	90,00	12,00	32
		2.362	2.746	2.756	.394				2.362	3.532	3.543	.472	
*60X70X12	S	60,00	69,75	70,00	12,00	32	*60X90X13	S	60,00	89,72	90,00	13,00	32
		2.362	2.746	2.756	.472				2.362	3.532	3.543	.512	
*60X72X9	S	60,00	71,75	72,00	9,00	32	60X90X8	S	60,00	90,00	90,25	8,00	32
		2.362	2.825	2.835	.354				2.362	3.543	3.553	.315	
*60X72X10	S	60,00	71,75	72,00	10,00	32	60X90X10	S	60,00	90,00	90,27	10,00	35
		2.362	2.825	2.835	.394				2.362	3.543	3.554	.394	
60X72X8	S	60,00	72,00	72,28	8,00	35	*60X95X10	S	60,00	94,72	95,00	10,00	32
		2.362	2.835	2.846	.315				2.362	3.729	3.740	.394	
*60X74X10	S	60,00	73,75	74,00	10,00	32	*60X95X12	S	60,00	94,72	95,00	12,00	32
		2.362	2.903	2.913	.394				2.362	3.729	3.740	.472	
*60X75X9	S	60,00	74,75	75,00	9,00	32	*60X95X13	S	60,00	94,72	95,00	13,00	32
		2.362	2.943	2.953	.354				2.362	3.729	3.740	.512	
*60X75X10	S	60,00	74,75	75,00	10,00	32	60X95X8	S	60,00	95,00	95,20	8,00	32
		2.362	2.943	2.953	.394				2.362	3.740	3.748	.315	
*60X75X12	S	60,00	74,75	75,00	12,00	32	*60X100X13	S	60,00	99,72	100,00	13,00	32
		2.362	2.943	2.953	.472				2.362	3.926	3.937	.512	
60X75X8	S	60,00	75,00	75,28	8,00	32	*60X100X8	S	60,00	100,00	100,20	8,00	32
		2.362	2.953	2.964	.315				2.362	3.937	3.945	.315	
*60X75X8V	V	60,00	75,00	75,20	8,00	32	60X100X10↔	N	60,00	100,00	100,20	10,00	32
		2.362	2.953	2.961	.315				2.362	3.937	3.945	.394	
*60X76X9	S	60,00	75,75	76,00	9,00	32	*60X104X12	S	60,00	103,72	104,00	12,00	32
		2.362	2.982	2.992	.354				2.362	4.083	4.094	.472	
*60X77X12	S	60,00	76,72	77,00	12,00	32	*60X105X8	S	60,00	105,00	105,20	8,00	32
		2.362	3.020	3.031	.472				2.362	4.134	4.142	.315	
*60X78X9	S	60,00	77,72	78,00	9,00	32	*60X110X12	S	60,00	109,72	110,00	12,00	32
		2.362	3.060	3.071	.354				2.362	4.320	4.331	.472	
*60X78X10	S	60,00	77,72	78,00	10,00	32	60X110X8	S	60,00	110,00	110,20	8,00	32
		2.362	3.060	3.071	.394				2.362	4.331	4.339	.315	
*60X78X8	S	60,00	78,00	78,20	8,00	32	*60X79.5X10	S	60,00	79,22	79,50	10,00	32
		2.362	3.071	3.079	.315				2.362	3.119	3.130	.394	
*60X80X9	S	60,00	79,72	80,00	9,00	32	*60.5X78X10	S	60,50	77,72	78,00	10,00	32
		2.362	3.139	3.150	.354				2.382	3.060	3.071	.394	
*60X80X10	S	60,00	79,72	80,00	10,00	32	*62X75X10	S	62,00	74,75	75,00	10,00	32
		2.362	3.139	3.150	.394				2.441	2.943	2.953	.394	
*60X80X12	S	60,00	79,72	80,00	12,00	32	*62X75X12	S	62,00	74,75	75,00	12,00	32
		2.362	3.139	3.150	.472				2.441	2.943	2.953	.472	
*60X80X13	S	60,00	79,72	80,00	13,00	32	*62X78X10	S	62,00	77,72	78,00	10,00	32
		2.362	3.139	3.150	.512				2.441	3.060	3.071	.394	
60X80X8	S	60,00	80,00	80,20	8,00	32	*62X78X8	S	62,00	78,00	78,20	8,00	32
		2.362	3.150	3.157	.315				2.441	3.071	3.079	.315	
*60X80X8V	V	60,00	80,00	80,20	8,00	32	*62X80X12	S	62,00	79,72	80,00	12,00	32
		2.362	3.150	3.157	.315				2.441	3.139	3.150	.472	
*60X82X9	S	60,00	81,72	82,00	9,00	32	62X80X9	S	62,00	80,00	80,20	9,00	32
		2.362	3.217	3.228	.354				2.441	3.150	3.157	.315	
60X82X7	S	60,00	82,00	82,20	7,00	32	62X80X10	S	62,00	80,00	80,28	10,00	32
		2.362	3.228	3.236	.276				2.441	3.150	3.161	.394	
60X82X12	S	60,00	82,00	82,30	12,00	35	*62X80X10V	V	62,00	80,00	80,20	10,00	35
		2.362	3.228	3.240	.472				2.441	3.150	3.157	.394	
*60X84X10	S	60,00	83,72	84,00	10,00	32	*62X82X10	S	62,00	81,72	82,00	10,00	32
		2.362	3.296	3.307	.394				2.441	3.217	3.228	.394	
*60X85X6	S	60,00	84,72	85,00	6,00	32	*62X82X8	S	62,00	82,00	82,20	8,00	32
		2.362	3.335	3.346	.236				2.441	3.228	3.236	.315	
*60X85X10	S	60,00	84,72	85,00	10,00	32	*62X85X10	S	62,00	84,72	85,00	10,00	32
		2.362	3.335	3.346	.394				2.441	3.335	3.346	.394	
*60X85X13	S	60,00	84,72	85,00	13,00	32	*62X85X12	S	62,00	84,72	85,00	12,00	32
		2.362	3.335	3.346	.512				2.441	3.335	3.346	.472	

NUMERICAL SECTION

For Illustration and Material Data See Technical Section

↔ Hydrodynamic Lip Design-Bidirectional

* The U.S. customer service number is 877-4-TIMKEN. The Canadian customer service numbers are 800-565-4927 (English) and 800-565-0438 (French-Canadian).

Part No.	Lip Mat'l	Shaft Size	Hsg. Bore	Seal O.D.	Seal Width	Type/Illus.	Part No.	Lip Mat'l	Shaft Size	Hsg. Bore	Seal O.D.	Seal Width	Type/Illus.
METRIC SERIES (cont.)							METRIC SERIES (cont.)						
*62X85X13	S	62,00	84,72	85,00	13,00	32	*64X120X12	S	64,00	119,72	120,00	12,00	32
		2.441	3.335	3.346	.512				2.520	4.713	4.724	.472	
62X85X8	S	62,00	85,00	85,13	8,00	41	*65X75X8	S	65,00	74,75	75,00	8,00	32
		2.441	3.346	3.352	.315				2.559	2.943	2.953	.315	
62X88X8	S	62,00	88,00	88,20	8,00	32	*65X75X10	S	65,00	74,75	75,00	10,00	32
		2.441	3.465	3.472	.315				2.559	2.943	2.953	.394	
*62X89X12	S	62,00	88,72	89,00	12,00	32	*65X75X12	S	65,00	74,75	75,00	12,00	32
		2.441	3.493	3.504	.472				2.559	2.943	2.953	.472	
*62X90X13	S	62,00	89,72	90,00	13,00	32	*65X78X12	S	65,00	77,72	78,00	12,00	32
		2.441	3.532	3.543	.512				2.559	3.060	3.071	.472	
62X90X10	S	62,00	90,00	90,28	10,00	32	*65X80X10	S	65,00	79,72	80,00	10,00	32
		2.441	3.543	3.554	.394				2.559	3.139	3.150	.394	
62X92X8	S	62,00	92,00	92,20	8,00	32	*65X80X12	S	65,00	79,72	80,00	12,00	32
		2.441	3.622	3.630	.315				2.559	3.139	3.150	.472	
*62X95X12	S	62,00	94,72	95,00	12,00	32	65X80X8	S	65,00	80,00	80,28	8,00	32
		2.441	3.729	3.740	.472				2.559	3.150	3.161	.315	
*62X100X10	S	62,00	99,72	100,00	10,00	32	*65X80X8V	V	65,00	80,00	80,20	8,00	32
		2.441	3.926	3.937	.394				2.559	3.150	3.157	.315	
*62X100X12	S	62,00	99,72	100,00	12,00	32	*65X82X9	S	65,00	81,72	82,00	9,00	32
		2.441	3.926	3.937	.472				2.559	3.217	3.228	.354	
62X100X7	S	62,00	100,00	100,30	7,00	32	*65X82X12	S	65,00	81,72	82,00	12,00	32
		2.441	3.937	3.949	.276				2.559	3.217	3.228	.472	
*62X100X8	S	62,00	100,00	100,20	8,00	32	*65X82X8	S	65,00	82,00	82,20	8,00	32
		2.441	3.937	3.945	.315				2.559	3.228	3.236	.315	
*62X110X13	S	62,00	109,72	110,00	13,00	32	*65X85X12	S	65,00	84,72	85,00	12,00	32
		2.441	4.320	4.331	.512				2.559	3.335	3.346	.472	
*63X78X8	S	63,00	78,00	78,20	8,00	32	*65X85X13	S	65,00	84,72	85,00	13,00	32
		2.480	3.071	3.079	.315				2.559	3.335	3.346	.512	
*63X80X9	S	63,00	79,72	80,00	9,00	32	65X85X8	S	65,00	85,00	85,20	8,00	35
		2.480	3.139	3.150	.354				2.559	3.346	3.354	.315	
*63X80X8	S	63,00	80,00	80,20	8,00	32	*65X85X8V	V	65,00	85,00	85,20	8,00	35
		2.480	3.150	3.157	.315				2.559	3.346	3.354	.315	
*63X82X8	S	63,00	82,00	82,20	8,00	32	65X85X10	S	65,00	85,00	85,27	10,00	32
		2.480	3.228	3.236	.315				2.559	3.346	3.357	.394	
63X85X7	S	63,00	85,00	85,27	7,00	32	*65X88X12	S	65,00	87,72	88,00	12,00	32
		2.480	3.346	3.357	.276				2.559	3.454	3.465	.472	
*63X85X12	S	63,00	84,72	85,00	12,00	32	*65X88X13	S	65,00	87,72	88,00	13,00	32
		2.480	3.335	3.346	.472				2.559	3.454	3.465	.512	
63X85X10	S	63,00	85,00	85,28	10,00	32	65X88X8	S	65,00	88,00	88,20	8,00	35
		2.480	3.346	3.357	.394				2.559	3.465	3.472	.315	
*63X88X12	S	63,00	87,72	88,00	12,00	32	65X88X10	S	65,00	88,00	88,20	10,00	32
		2.480	3.454	3.465	.472				2.559	3.465	3.472	.394	
*63X88X8	S	63,00	88,00	88,20	8,00	32	*65X90X8	S	65,00	89,72	90,00	8,00	32
		2.480	3.465	3.472	.315				2.559	3.532	3.543	.315	
63X90X7	S	63,00	90,00	90,27	7,00	32	*65X90X12	S	65,00	89,72	90,00	12,00	32
		2.480	3.543	3.554	.276				2.559	3.532	3.543	.472	
*63X90X12	S	63,00	89,72	90,00	12,00	32	65X90X7	S	65,00	90,00	90,20	7,00	32
		2.480	3.532	3.543	.472				2.559	3.543	3.551	.276	
63X90X10	S	63,00	90,00	90,14	10,00	32	65X90X10	S	65,00	90,00	90,28	10,00	32
		2.480	3.543	3.549	.394				2.559	3.543	3.554	.394	
*63X100X10	S	63,00	99,72	100,00	10,00	32	*65X90X10V	V	65,00	90,00	90,20	10,00	32
		2.480	3.926	3.937	.394				2.559	3.543	3.551	.394	
*63X100X13	S	63,00	99,72	100,00	13,00	32	65X90X13	S	65,00	90,00	90,20	13,00	35
		2.480	3.926	3.937	.512				2.559	3.543	3.551	.512	
*63X82.5X10	S	63,00	82,22	82,50	10,00	32	*65X95X10	S	65,00	94,72	95,00	10,00	32
		2.480	3.237	3.248	.394				2.559	3.729	3.740	.394	
*63.5X85X12	S	63,50	84,72	85,00	12,00	32	*65X95X12	S	65,00	94,72	95,00	12,00	32
		2.500	3.335	3.346	.472				2.559	3.729	3.740	.472	
*64X80X12	S	64,00	79,72	80,00	12,00	32	*65X95X13	S	65,00	94,72	95,00	13,00	32
		2.520	3.139	3.150	.472				2.559	3.729	3.740	.512	
*64X80X13	S	64,00	79,72	80,00	13,00	32	*65X95X14	S	65,00	94,72	95,00	14,00	32
		2.520	3.139	3.150	.512				2.559	3.729	3.740	.551	
64X80X8	S	64,00	80,00	80,28	8,00	32	65X95X7	S	65,00	95,00	95,20	7,00	32
		2.520	3.150	3.161	.315				2.559	3.740	3.748	.276	
*64X85X10	S	64,00	84,72	85,00	10,00	32	*65X95X8	S	65,00	95,00	95,20	8,00	32
		2.520	3.335	3.346	.394				2.559	3.740	3.748	.315	
*64X85X12	S	64,00	84,72	85,00	12,00	32	*65X100X12	S	65,00	99,72	100,00	12,00	32
		2.520	3.335	3.346	.472				2.559	3.926	3.937	.472	
*64X90X13	S	64,00	90,00	90,28	13,00	32	*65X100X13	S	65,00	99,72	100,00	13,00	32
		2.520	3.543	3.554	.512				2.559	3.926	3.937	.512	

For Illustration and Material Data See Technical Section

* The U.S. customer service number is 877-4-TIMKEN. The Canadian customer service numbers are 800-565-4927 (English) and 800-565-0438 (French-Canadian).

Numerical List Size & Type

Part No.	Lip Mat'l	Shaft Size	Hsg. Bore	Seal O.D.	Seal Width	Type/ Illus.	Part No.	Lip Mat'l	Shaft Size	Hsg. Bore	Seal O.D.	Seal Width	Type/ Illus.
METRIC SERIES (cont.)							METRIC SERIES (cont.)						
65X100X7	S	65,00	100,00	100,30	7,00	32	68X100X10	S	68,00	100,00	100,20	10,00	35
		2.559	3.937	3.949	.276				2.677	3.937	3.945	.394	
*65X100X9.5	S	65,00	99,72	100,00	9,50	32	68X100X13	S	68,00	100,00	100,28	13,00	32
		2.559	3.926	3.937	.374				2.677	3.937	3.948	.512	
65X100X10	S	65,00	100,00	100,28	10,00	35	*69X92X12	S	69,00	91,72	92,00	12,00	32
		2.559	3.937	3.948	.394				2.717	3.611	3.622	.472	
*65X100X10V	V	65,00	100,00	100,20	10,00	35	*70X80X10	S	70,00	79,72	80,00	10,00	32
		2.559	3.937	3.945	.394				2.756	3.139	3.150	.394	
*65X102X13	S	65,00	101,72	102,00	13,00	32	*70X83X10	S	70,00	82,72	83,00	10,00	32
		2.559	4.005	4.016	.512				2.756	3.257	3.268	.394	
*65X105X12	S	65,00	104,72	105,00	12,00	32	*70X85X9	S	70,00	84,72	85,00	9,00	32
		2.559	4.123	4.134	.472				2.756	3.335	3.346	.354	
*65X105X8	S	65,00	105,00	105,20	8,00	32	*70X85X10	S	70,00	84,72	85,00	10,00	32
		2.559	4.134	4.142	.315				2.756	3.335	3.346	.394	
*65X110X10	S	65,00	109,72	110,00	10,00	32	70X85X8	S	70,00	85,00	85,28	8,00	35
		2.559	4.320	4.331	.394				2.756	3.346	3.357	.315	
*65X110X12	S	65,00	109,72	110,00	12,00	32	*70X87X10	S	70,00	86,72	87,00	10,00	32
		2.559	4.320	4.331	.472				2.756	3.414	3.425	.394	
*65X110X13	S	65,00	109,72	110,00	13,00	32	*70X88X10	S	70,00	87,72	88,00	10,00	32
		2.559	4.320	4.331	.512				2.756	3.454	3.465	.394	
*65X110X8	S	65,00	110,00	110,20	8,00	32	70X88X8	S	70,00	88,00	88,25	8,00	48
		2.559	4.331	4.339	.315				2.756	3.465	3.474	.315	
*65X115X12	S	65,00	114,72	115,00	12,00	32	*70X88X9V	V	70,00	88,00	88,20	9,00	35
		2.559	4.517	4.528	.472				2.756	3.465	3.472	.354	
*65X115X13	S	65,00	114,72	115,00	13,00	32	70X88X12	S	70,00	88,00	88,25	12,00	32
		2.559	4.517	4.528	.512				2.756	3.465	3.474	.472	
*65X115X8	S	65,00	115,00	115,20	8,00	32	*70X90X8	S	70,00	89,72	90,00	8,00	32
		2.559	4.528	4.535	.315				2.756	3.532	3.543	.315	
*65X120X13	S	65,00	119,72	120,00	13,00	32	*70X90X12	S	70,00	89,72	90,00	12,00	32
		2.559	4.713	4.724	.512				2.756	3.532	3.543	.472	
*65X120X8	S	65,00	120,00	120,20	8,00	32	*70X90X13	S	70,00	89,72	90,00	13,00	32
		2.559	4.724	4.732	.315				2.756	3.532	3.543	.512	
*65X140X14	S	65,00	139,70	140,00	14,00	32	70X90X7	S	70,00	90,00	90,20	7,00	32
		2.559	5.500	5.512	.551				2.756	3.543	3.551	.276	
*67X82X7	S	67,00	81,72	82,00	7,00	32	70X90X10	S	70,00	90,00	90,32	10,00	32
		2.638	3.217	3.228	.276				2.756	3.543	3.556	.394	
68X82X7	S	68,00	82,00	82,20	7,00	32	*70X90X10V	V	70,00	90,00	90,20	10,00	32
		2.677	3.228	3.236	.276				2.756	3.543	3.551	.394	
*68X85X10	S	68,00	84,72	85,00	10,00	32	70X92X12	S	70,00	92,00	92,20	12,00	32
		2.677	3.335	3.346	.394				2.756	3.622	3.630	.472	
68X85X8	S	68,00	85,00	85,20	8,00	35	*70X95X12	S	70,00	94,72	95,00	12,00	32
		2.677	3.346	3.354	.315				2.756	3.729	3.740	.472	
*68X88X8	S	68,00	88,00	88,20	8,00	32	70X95X10	S	70,00	95,00	95,28	10,00	32
		2.677	3.465	3.472	.315				2.756	3.740	3.751	.394	
*68X90X8	S	68,00	89,72	90,00	8,00	32	*70X95X10V	V	70,00	95,00	95,20	10,00	35
		2.677	3.532	3.543	.315				2.756	3.740	3.748	.394	
*68X90X12	S	68,00	89,72	90,00	12,00	32	70X95X13	S	70,00	95,00	95,28	13,00	35
		2.677	3.532	3.543	.472				2.756	3.740	3.751	.512	
*68X90X13	S	68,00	89,72	90,00	13,00	32	*70X100X12	S	70,00	99,72	100,00	12,00	32
		2.677	3.532	3.543	.512				2.756	3.926	3.937	.472	
68X90X7	S	68,00	90,00	90,20	7,00	32	*70X100X14	S	70,00	99,72	100,00	14,00	32
		2.677	3.543	3.551	.276				2.756	3.926	3.937	.551	
68X90X10	S	68,00	90,00	90,32	10,00	32	70X100X10	S	70,00	100,00	100,20	10,00	32
		2.677	3.543	3.556	.394				2.756	3.937	3.945	.394	
*68X90X10V	V	68,00	90,00	90,20	10,00	32	*70X100X10V	V	70,00	100,00	100,20	10,00	35
		2.677	3.543	3.551	.394				2.756	3.937	3.945	.394	
68X95X7	S	68,00	95,00	95,28	7,00	32	70X100X13	S	70,00	100,00	100,28	13,00	32
		2.677	3.740	3.751	.276				2.756	3.937	3.948	.512	
*68X95X13	S	68,00	94,72	95,00	13,00	32	*70X102X13	S	70,00	101,72	102,00	13,00	32
		2.677	3.729	3.740	.512				2.756	4.005	4.016	.512	
*68X95X8	S	68,00	95,00	95,20	8,00	32	*70X105X12	S	70,00	104,72	105,00	12,00	32
		2.677	3.740	3.748	.315				2.756	4.123	4.134	.472	
68X95X10	S	68,00	95,00	95,20	10,00	35	70X105X7	S	70,00	105,00	105,30	7,00	32
		2.677	3.740	3.748	.394				2.756	4.134	4.146	.276	
*68X98X10	S	68,00	97,72	98,00	10,00	32	*70X105X10	S	70,00	105,00	105,20	10,00	32
		2.677	3.847	3.858	.394				2.756	4.134	4.142	.394	
68X100X7	S	68,00	100,00	100,28	7,00	32	70X105X13	S	70,00	105,00	105,20	13,00	35
		2.677	3.937	3.948	.276				2.756	4.134	4.142	.512	
*68X100X12	S	68,00	99,72	100,00	12,00	32	*70X110X12	S	70,00	109,72	110,00	12,00	32
		2.677	3.926	3.937	.472				2.756	4.320	4.331	.472	

NUMERICAL SECTION

For Illustration and Material Data See Technical Section

* The U.S. customer service number is 877-4-TIMKEN. The Canadian customer service numbers are 800-565-4927 (English) and 800-565-0438 (French-Canadian).

Part No.	Lip Mat'l	Shaft Size	Hsg. Bore	Seal O.D.	Seal Width	Type/ Illus.	Part No.	Lip Mat'l	Shaft Size	Hsg. Bore	Seal O.D.	Seal Width	Type/ Illus.
METRIC SERIES (cont.)							METRIC SERIES (cont.)						
*70X110X13	S	70,00	109,72	110,00	13,00	32	*75X100X10V	V	75,00	100,00	100,20	10,00	32
		2.756	4.320	4.331	.512				2.953	3.937	3.945	.394	
70X110X10	S	70,00	110,00	110,20	10,00	35	75X100X12	S	75,00	100,00	100,27	12,00	32
		2.756	4.331	4.339	.394				2.953	3.937	3.948	.472	
*70X112X13	S	70,00	111,72	112,00	13,00	32	*75X102X13	S	75,00	101,72	102,00	13,00	32
		2.756	4.398	4.409	.512				2.953	4.005	4.016	.512	
*70X115X13	S	70,00	114,72	115,00	13,00	32	*75X105X15	S	75,00	104,72	105,00	15,00	32
		2.756	4.517	4.528	.512				2.953	4.123	4.134	.591	
*70X115X15	S	70,00	114,72	115,00	15,00	32	75X105X13	S	75,00	105,00	105,27	13,00	32
		2.756	4.517	4.528	.591				2.953	4.134	4.144	.512	
*70X120X13	S	70,00	119,72	120,00	13,00	32	*75X106X10	S	75,00	105,72	106,00	10,00	32
		2.756	4.713	4.724	.512				2.953	4.162	4.173	.394	
*71X88X8	S	71,00	87,72	88,00	8,00	32	*75X110X13	S	75,00	109,72	110,00	13,00	32
		2.795	3.454	3.465	.315				2.953	4.320	4.331	.512	
*72X86X7.5	S	72,00	85,72	86,00	7,50	32	*75X110X10	S	75,00	110,00	110,20	10,00	32
		2.835	3.375	3.386	.295				2.953	4.331	4.339	.394	
*72X90X8	S	72,00	89,72	90,00	8,00	32	75X110X12	S	75,00	110,00	110,20	12,00	32
		2.835	3.532	3.543	.315				2.953	4.331	4.339	.472	
72X90X10	S	72,00	90,00	90,20	10,00	35	*75X115X13	S	75,00	114,72	115,00	13,00	32
		2.835	3.543	3.551	.394				2.953	4.517	4.528	.512	
*72X92X12	S	72,00	91,72	92,00	12,00	32	*75X115X9.5	S	75,00	114,72	115,00	9,50	32
		2.835	3.611	3.622	.472				2.953	4.517	4.528	.374	
*72X94X12	S	72,00	93,72	94,00	12,00	32	*75X115X10	S	75,00	115,00	115,20	10,00	32
		2.835	3.690	3.701	.472				2.953	4.528	4.535	.394	
*72X95X12	S	72,00	94,72	95,00	12,00	32	75X115X12	S	75,00	115,00	115,30	12,00	35
		2.835	3.729	3.740	.472				2.953	4.528	4.539	.472	
*72X95X13	S	72,00	94,72	95,00	13,00	32	*75X120X12	S	75,00	119,72	120,00	12,00	32
		2.835	3.729	3.740	.512				2.953	4.713	4.724	.472	
72X95X10	S	72,00	95,00	95,28	10,00	32	75X120X10	S	75,00	120,00	120,20	10,00	32
		2.835	3.740	3.751	.394				2.953	4.724	4.732	.394	
72X100X10	S	72,00	100,00	100,20	10,00	35	*75X134X10	S	75,00	133,70	134,00	10,00	32
		2.835	3.937	3.945	.394				2.953	5.264	5.276	.394	
72X100X12↔	S	72,00	100,00	100,31	12,00	32	*76X92X10	S	76,00	91,72	92,00	10,00	32
		2.835	3.937	3.949	.472				2.992	3.611	3.622	.394	
*72X105X13	S	72,00	104,72	105,00	13,00	32	*76X94X12	S	76,00	93,72	94,00	12,00	32
		2.835	4.123	4.134	.512				2.992	3.690	3.701	.472	
*72X105X10	S	72,00	105,00	105,20	10,00	32	*76X105X12	S	76,00	104,72	105,00	12,00	32
		2.835	4.134	4.142	.394				2.992	4.123	4.134	.472	
*72X110X10	S	72,00	110,00	110,20	10,00	32	*76X105X13	S	76,00	104,72	105,00	13,00	32
		2.835	4.331	4.339	.394				2.992	4.123	4.134	.512	
*74X90X10	S	74,00	89,72	90,00	10,00	32	*77X100X10	S	77,00	99,72	100,00	10,00	32
		2.913	3.532	3.543	.394				3.031	3.926	3.937	.394	
*74X94X10	S	74,00	93,72	94,00	10,00	32	*78X95X10	S	78,00	95,00	95,20	10,00	32
		2.913	3.690	3.701	.394				3.071	3.740	3.748	.394	
*74X95X7	S	74,00	94,72	95,00	7,00	32	*78X100X13	S	78,00	99,72	100,00	13,00	32
		2.913	3.729	3.740	.276				3.071	3.926	3.937	.512	
*74X100X13	S	74,00	99,72	100,00	13,00	32	78X100X10	S	78,00	100,00	100,27	10,00	32
		2.913	3.926	3.937	.512				3.071	3.937	3.948	.394	
*75X90X12	S	75,00	89,72	90,00	12,00	32	78X105X10	S	78,00	105,00	105,20	10,00	32
		2.953	3.532	3.543	.472				3.071	4.134	4.142	.394	
75X90X8	S	75,00	90,00	90,20	8,00	32	*78X110X12	S	78,00	109,72	110,00	12,00	32
		2.953	3.543	3.551	.315				3.071	4.320	4.331	.472	
75X90X10	S	75,00	90,00	90,25	10,00	32	*78X110X13	S	78,00	109,72	110,00	13,00	32
		2.953	3.543	3.553	.394				3.071	4.320	4.331	.512	
*75X92X12	S	75,00	91,72	92,00	12,00	32	*78X110X10	S	78,00	110,00	110,20	10,00	32
		2.953	3.611	3.622	.472				3.071	4.331	4.339	.394	
*75X95X8	S	75,00	94,72	95,00	8,00	32	78X115X10	S	78,00	115,00	115,20	10,00	32
		2.953	3.729	3.740	.315				3.071	4.528	4.535	.394	
*75X95X12	S	75,00	94,72	95,00	12,00	32	*80X95X8	S	80,00	94,72	95,00	8,00	32
		2.953	3.729	3.740	.472				3.150	3.729	3.740	.315	
*75X95X13	S	75,00	94,72	95,00	13,00	32	*80X98X10	S	80,00	97,72	98,00	10,00	32
		2.953	3.729	3.740	.512				3.150	3.847	3.858	.394	
75X95X10	S	75,00	95,00	95,28	10,00	32	*80X100X8	S	80,00	99,72	100,00	8,00	32
		2.953	3.740	3.751	.394				3.150	3.926	3.937	.315	
*75X95X10V	V	75,00	95,00	95,20	10,00	32	*80X100X12	S	80,00	99,72	100,00	12,00	32
		2.953	3.740	3.748	.394				3.150	3.926	3.937	.472	
*75X100X13	S	75,00	99,72	100,00	13,00	32	*80X100X13	S	80,00	99,72	100,00	13,00	32
		2.953	3.926	3.937	.512				3.150	3.926	3.937	.512	
75X100X10	S	75,00	100,00	100,20	10,00	32	80X100X10	S	80,00	100,00	100,20	10,00	35
		2.953	3.937	3.945	.394				3.150	3.937	3.945	.394	

For Illustration and Material Data See Technical Section

↔ Hydrodynamic Lip Design-Bidirectional

Numerical List Size & Type

Part No.	Lip Mat'l	Shaft Size	Hsg. Bore	Seal O.D.	Seal Width	Type/ Illus.	Part No.	Lip Mat'l	Shaft Size	Hsg. Bore	Seal O.D.	Seal Width	Type/ Illus.
METRIC SERIES (cont.)							METRIC SERIES (cont.)						
*80X100X10V	V	80,00	100,00	100,20	10,00	32	85X105X13	S	85,00	105,00	105,28	13,00	32
		3.150	3.937	3.945	.394				3.346	4.134	4.145	.512	
*80X105X12	S	80,00	104,72	105,00	12,00	32	*85X110X13	S	85,00	109,72	110,00	13,00	32
		3.150	4.123	4.134	.472				3.346	4.320	4.331	.512	
80X105X10	S	80,00	105,00	105,20	10,00	32	85X110X10	S	85,00	110,00	110,20	10,00	35
		3.150	4.134	4.142	.394				3.346	4.331	4.339	.394	
*80X105X12V	V	80,00	105,00	105,20	12,00	35	85X110X12	S	85,00	110,00	110,28	12,00	32
		3.150	4.134	4.142	.472				3.346	4.331	4.342	.472	
80X105X13	S	80,00	105,00	105,27	13,00	32	*85X110X12V	V	85,00	110,00	110,20	12,00	32
		3.150	4.134	4.144	.512				3.346	4.331	4.339	.472	
*80X105X14	S	80,00	105,00	105,27	14,00	32	*85X111X10	S	85,00	110,72	111,00	10,00	32
		3.150	4.134	4.144	.551				3.346	4.359	4.370	.394	
*80X110X13	S	80,00	109,72	110,00	13,00	32	85X115X7	S	85,00	115,00	115,27	7,00	32
		3.150	4.320	4.331	.512				3.346	4.528	4.538	.276	
80X110X10	S	80,00	110,00	110,28	10,00	32	*85X115X15	S	85,00	114,72	115,00	15,00	32
		3.150	4.331	4.342	.394				3.346	4.517	4.528	.591	
*80X110X10V	V	80,00	110,00	110,20	10,00	32	*85X115X12	S	85,00	115,00	115,20	12,00	32
		3.150	4.331	4.339	.394				3.346	4.528	4.535	.472	
80X110X12	S	80,00	110,00	110,28	12,00	35	85X115X13	S	85,00	115,00	115,00	13,00	35
		3.150	4.331	4.342	.472				3.346	4.528	4.528	.512	
*80X115X10	S	80,00	114,72	115,00	10,00	32	*85X120X10	S	85,00	119,72	120,00	10,00	32
		3.150	4.517	4.528	.394				3.346	4.713	4.724	.394	
*80X115X13	S	80,00	114,72	115,00	13,00	32	*85X120X13	S	85,00	119,72	120,00	13,00	32
		3.150	4.517	4.528	.512				3.346	4.713	4.724	.512	
*80X115X12	S	80,00	115,00	115,20	12,00	32	*85X120X15	S	85,00	119,72	120,00	15,00	32
		3.150	4.528	4.535	.472				3.346	4.713	4.724	.591	
80X120X10	S	80,00	120,00	120,20	10,00	32	85X120X12	S	85,00	120,00	120,28	12,00	32
		3.150	4.724	4.732	.394				3.346	4.724	4.735	.472	
80X120X13	S	80,00	120,00	120,28	13,00	32	*85X125X13	S	85,00	124,72	125,00	13,00	32
		3.150	4.724	4.735	.512				3.346	4.910	4.921	.512	
80X125X7	S	80,00	125,00	125,27	7,00	32	*85X125X14	S	85,00	124,72	125,00	14,00	32
		3.150	4.921	4.932	.276				3.346	4.910	4.921	.551	
*80X125X10	S	80,00	124,72	125,00	10,00	32	85X125X12	S	85,00	125,00	125,20	12,00	32
		3.150	4.910	4.921	.394				3.346	4.921	4.929	.472	
*80X125X13	S	80,00	124,72	125,00	13,00	32	*85X130X12	S	85,00	129,70	130,00	12,00	32
		3.150	4.910	4.921	.512				3.346	5.106	5.118	.472	
*80X125X14	S	80,00	124,72	125,00	14,00	32	*85X130X14	S	85,00	129,70	130,00	14,00	32
		3.150	4.910	4.921	.551				3.346	5.106	5.118	.551	
*80X125X12	S	80,00	125,00	125,20	12,00	32	85X130X13	S	85,00	130,00	130,15	12,70	48
		3.150	4.921	4.929	.472				3.346	5.118	5.124	.500	
*80X130X13	S	80,00	129,70	130,00	13,00	32	*85X140X12	S	85,00	139,70	140,00	12,00	32
		3.150	5.106	5.118	.512				3.346	5.500	5.512	.472	
*80X130X12	S	80,00	130,00	130,20	12,00	32	*85X114.5X12	S	85,00	114,22	114,50	12,00	32
		3.150	5.118	5.126	.472				3.346	4.497	4.508	.472	
*80X135X12	S	80,00	135,00	135,20	12,00	32	*86X100X10	S	86,00	99,72	100,00	10,00	32
		3.150	5.315	5.323	.472				3.386	3.926	3.937	.394	
*80X140X12	S	80,00	140,00	140,20	12,00	32	*88X108X11	S	88,00	107,72	108,00	11,00	32
		3.150	5.512	5.520	.472				3.465	4.241	4.252	.433	
82X105X13	S	82,00	105,00	105,25	13,00	25	88X110X12	S	88,00	110,00	110,28	12,00	35
		3.228	4.134	4.144	.512				3.465	4.331	4.342	.472	
*83X104X9	S	83,00	103,72	104,00	9,00	32	*88X115X12	S	88,00	115,00	115,20	12,00	32
		3.268	4.083	4.094	.354				3.465	4.528	4.535	.472	
*83X110X13	S	83,00	109,72	110,00	13,00	32	*88X120X12	S	88,00	120,00	120,20	12,00	32
		3.268	4.320	4.331	.512				3.465	4.724	4.732	.472	
*83X117X14	S	83,00	116,72	117,00	14,00	32	*90X100X7	S	90,00	99,72	100,00	7,00	32
		3.268	4.595	4.606	.551				3.543	3.926	3.937	.276	
*84X100X10	S	84,00	99,72	100,00	10,00	32	*90X100X12	S	90,00	99,72	100,00	12,00	32
		3.307	3.926	3.937	.394				3.543	3.926	3.937	.472	
*84X100X12	S	84,00	100,00	100,20	12,00	32	*90X105X12	S	90,00	104,72	105,00	12,00	32
		3.307	3.937	3.945	.472				3.543	4.123	4.134	.472	
*85X100X9	S	85,00	99,72	100,00	9,00	32	*90X105X13	S	90,00	104,72	105,00	13,00	32
		3.346	3.926	3.937	.354				3.543	4.123	4.134	.512	
*85X100X10	S	85,00	99,72	100,00	10,00	32	*90X110X10	S	90,00	109,72	110,00	10,00	32
		3.346	3.926	3.937	.394				3.543	4.320	4.331	.394	
*85X100X12	S	85,00	99,72	100,00	12,00	32	90X110X12	S	90,00	110,00	110,20	12,00	35
		3.346	3.926	3.937	.472				3.543	4.331	4.339	.472	
*85X105X12	S	85,00	104,72	105,00	12,00	32	*90X110X12V	V	90,00	110,00	110,20	12,00	32
		3.346	4.123	4.134	.472				3.543	4.331	4.339	.472	
85X105X10	S	85,00	105,00	105,28	10,00	32	*90X110X13	S	90,00	110,00	110,31	13,00	35
		3.346	4.134	4.145	.394				3.543	4.331	4.343	.512	

NUMERICAL SECTION

For Illustration and Material Data See Technical Section

* The U.S. customer service number is 877-4-TIMKEN. The Canadian customer service numbers are 800-565-4927 (English) and 800-565-0438 (French-Canadian).

Part No.	Lip Mat'l	Shaft Size	Hsg. Bore	Seal O.D.	Seal Width	Type/ Illus.	Part No.	Lip Mat'l	Shaft Size	Hsg. Bore	Seal O.D.	Seal Width	Type/ Illus.
METRIC SERIES (cont.)							METRIC SERIES (cont.)						
*90X112X12	S	90,00	111,72	112,00	12,00	32	95X125X12	S	95,00	125,00	125,28	12,00	35
		3.543	4.398	4.409	.472				3.740	4.921	4.932	.472	
*90X115X10	S	90,00	114,72	115,00	10,00	32	*95X130X13	S	95,00	129,70	130,00	13,00	32
		3.543	4.517	4.528	.394				3.740	5.106	5.118	.512	
*90X115X13	S	90,00	114,72	115,00	13,00	32	95X130X12	S	95,00	130,00	130,28	12,00	32
		3.543	4.517	4.528	.512				3.740	5.118	5.129	.472	
90X115X12	S	90,00	115,00	115,20	12,00	32	*95X135X13	S	95,00	134,70	135,00	13,00	32
		3.543	4.528	4.535	.472				3.740	5.303	5.315	.512	
*90X118X12	S	90,00	117,72	118,00	12,00	32	*95.25X120.65X12.75		95,25	120,37	120,65	12,70	32
		3.543	4.635	4.646	.472				3.750	4.739	4.750	.500	
*90X120X13	S	90,00	119,72	120,00	13,00	32	98X120X13	S	98,00	120,00	120,20	13,00	35
		3.543	4.713	4.724	.512				3.858	4.724	4.732	.512	
90X120X12↔	S	90,00	120,00	120,28	12,00	32	*100X114X10	S	100,00	113,72	114,00	10,00	32
		3.543	4.724	4.735	.472				3.937	4.477	4.488	.394	
*90X120X12V	V	90,00	120,00	120,20	12,00	35	*100X115X9	S	100,00	114,72	115,00	9,00	32
		3.543	4.724	4.732	.472				3.937	4.517	4.528	.354	
*90X125X15	S	90,00	124,72	125,00	15,00	32	*100X115X10	S	100,00	114,72	115,00	10,00	32
		3.543	4.910	4.921	.591				3.937	4.517	4.528	.394	
90X125X7	S	90,00	125,00	125,70	7,00	32	*100X115X12	S	100,00	114,72	115,00	12,00	32
		3.543	4.921	4.949	.276				3.937	4.517	4.528	.472	
*90X125X12	S	90,00	125,00	125,20	12,00	32	*100X120X11	S	100,00	119,72	120,00	11,00	32
		3.543	4.921	4.929	.472				3.937	4.713	4.724	.433	
90X125X13	S	90,00	125,00	125,30	13,00	32	*100X120X13	S	100,00	119,72	120,00	13,00	32
		3.543	4.921	4.933	.512				3.937	4.713	4.724	.512	
*90X130X10	S	90,00	129,70	130,00	10,00	32	100X120X10	S	100,00	120,00	120,30	10,00	35
		3.543	5.106	5.118	.394				3.937	4.724	4.736	.394	
*90X130X13	S	90,00	129,70	130,00	13,00	32	100X120X12	S	100,00	120,00	120,28	12,00	32
		3.543	5.106	5.118	.512				3.937	4.724	4.735	.472	
*90X130X12	S	90,00	130,00	130,20	12,00	32	*100X120X12V	V	100,00	120,00	120,20	12,00	32
		3.543	5.118	5.126	.472				3.937	4.724	4.732	.472	
*90X135X13	S	90,00	134,70	135,00	13,00	32	*100X125X10	S	100,00	124,72	125,00	10,00	32
		3.543	5.303	5.315	.512				3.937	4.910	4.921	.394	
*90X135X12	S	90,00	135,00	135,20	12,00	32	*100X125X13	S	100,00	124,72	125,00	13,00	32
		3.543	5.315	5.323	.472				3.937	4.910	4.921	.512	
*90X140X12	S	90,00	140,00	140,20	12,00	32	100X125X12	S	100,00	125,00	125,28	12,00	32
		3.543	5.512	5.520	.472				3.937	4.921	4.932	.472	
90X145X14	S	90,00	145,00	145,20	14,00	32	*100X125X12V	V	100,00	125,00	125,20	12,00	35
		3.543	5.709	5.717	.551				3.937	4.921	4.929	.472	
*90X160X10	S	90,00	159,70	160,00	10,00	32	*100X127X10	S	100,00	126,72	127,00	10,00	32
		3.543	6.287	6.299	.394				3.937	4.989	5.000	.394	
*90X112.7X13	S	90,00	112,42	112,70	13,00	32	*100X130X10	S	100,00	129,70	130,00	10,00	32
		3.543	4.426	4.437	.512				3.937	5.106	5.118	.394	
*92X120X12	S	92,00	119,72	120,00	12,00	32	*100X130X13	S	100,00	129,70	130,00	13,00	32
		3.622	4.713	4.724	.472				3.937	5.106	5.118	.512	
92X120X13	S	92,00	120,00	120,24	13,00	35	100X130X12	S	100,00	130,00	130,28	12,00	32
		3.622	4.724	4.734	.512				3.937	5.118	5.129	.472	
*95X105X13	S	95,00	104,72	105,00	13,00	32	*100X130X12V	V	100,00	130,00	130,20	12,00	32
		3.740	4.123	4.134	.512				3.937	5.118	5.126	.472	
*95X110X11	S	95,00	109,72	110,00	11,00	32	*100X135X12	S	100,00	134,70	135,00	12,00	32
		3.740	4.320	4.331	.433				3.937	5.303	5.315	.472	
*95X110X12	S	95,00	109,72	110,00	12,00	32	*100X135X13	S	100,00	134,70	135,00	13,00	32
		3.740	4.320	4.331	.472				3.937	5.303	5.315	.512	
95X110X10	S	95,00	110,00	110,20	10,00	32	*100X135X14	S	100,00	134,70	135,00	14,00	32
		3.740	4.331	4.339	.394				3.937	5.303	5.315	.551	
95X115X12	S	95,00	115,00	115,28	12,00	35	*100X140X12	S	100,00	139,70	140,00	12,00	32
		3.740	4.528	4.539	.472				3.937	5.500	5.512	.472	
*95X115X13	S	95,00	115,00	115,28	13,00	35	*100X140X13	S	100,00	139,70	140,00	13,00	32
		3.740	4.528	4.539	.512				3.937	5.500	5.512	.512	
*95X115X13V	V	95,00	115,00	115,20	13,00	32	*100X150X10	S	100,00	149,70	150,00	10,00	32
		3.740	4.528	4.535	.512				3.937	5.894	5.906	.394	
*95X120X8	S	95,00	119,72	120,00	8,00	32	*100X150X13	S	100,00	149,70	150,00	13,00	32
		3.740	4.713	4.724	.315				3.937	5.894	5.906	.512	
*95X120X13	S	95,00	119,72	120,00	13,00	32	*102X125X12	S	102,00	125,00	125,20	12,00	32
		3.740	4.713	4.724	.512				4.016	4.921	4.929	.472	
95X120X12	S	95,00	120,00	120,28	12,00	32	102X130X13	S	102,00	130,00	130,28	13,00	35
		3.740	4.724	4.735	.472				4.016	5.118	5.129	.512	
*95X120X12V	V	95,00	120,00	120,20	12,00	35	*105X125X12	S	105,00	124,72	125,00	12,00	32
		3.740	4.724	4.732	.472				4.134	4.910	4.921	.472	
*95X125X13	S	95,00	124,72	125,00	13,00	32	105X125X13	S	105,00	125,00	125,28	13,00	32
		3.740	4.910	4.921	.512				4.134	4.921	4.932	.512	

For Illustration and Material Data See Technical Section

↔ Hydrodynamic Lip Design-Bidirectional

Numerical List Size & Type

Part No.	Lip Mat'l	Shaft Size	Hsg. Bore	Seal O.D.	Seal Width	Type/Illus.	Part No.	Lip Mat'l	Shaft Size	Hsg. Bore	Seal O.D.	Seal Width	Type/Illus.
METRIC SERIES (cont.)							METRIC SERIES (cont.)						
* 105X130X13	S	105,00	129,70	130,00	13,00	32	* 110X170X12	S	110,00	169,70	170,00	12,00	32
		4.134	5.106	5.118	.512				4.331	6.681	6.693	.472	
* 105X130X15	S	105,00	129,70	130,00	15,00	32	* 112X135X15	S	112,00	135,00	135,20	15,00	32
		4.134	5.106	5.118	.591				4.409	5.315	5.323	.591	
105X130X12	S	105,00	130,00	130,28	12,00	32	112X140X13	S	112,00	140,00	140,32	13,00	35
		4.134	5.118	5.129	.472				4.409	5.512	5.524	.512	
* 105X130X12V	V	105,00	130,00	130,20	12,00	32	* 112X142X14	S	112,00	141,70	142,00	14,00	32
		4.134	5.118	5.126	.472				4.409	5.579	5.591	.551	
* 105X135X13	S	105,00	134,70	135,00	13,00	32	* 112X145X15	S	112,00	145,00	145,20	15,00	32
		4.134	5.303	5.315	.512				4.409	5.709	5.717	.591	
* 105X135X14	S	105,00	134,70	135,00	14,00	32	* 112X150X15	S	112,00	150,00	150,20	15,00	32
		4.134	5.303	5.315	.551				4.409	5.906	5.913	.591	
* 105X135X15	S	105,00	134,70	135,00	15,00	32	114X140X13	S	114,00	140,00	140,28	13,00	32
		4.134	5.303	5.315	.591				4.488	5.512	5.523	.512	
* 105X135X12	S	105,00	135,00	135,20	12,00	32	* 115X135X15	S	115,00	135,00	135,20	15,00	32
		4.134	5.315	5.323	.472				4.528	5.315	5.323	.591	
* 105X140X13	S	105,00	139,70	140,00	13,00	32	* 115X140X13	S	115,00	139,70	140,00	13,00	32
		4.134	5.500	5.512	.512				4.528	5.500	5.512	.512	
* 105X140X15	S	105,00	139,70	140,00	15,00	32	* 115X140X14	S	115,00	139,70	140,00	14,00	32
		4.134	5.500	5.512	.591				4.528	5.500	5.512	.551	
105X140X12	S	105,00	140,00	140,28	12,00	32	115X140X12	S	115,00	140,00	140,28	12,00	32
		4.134	5.512	5.523	.472				4.528	5.512	5.523	.472	
* 105X145X15	S	105,00	144,70	145,00	15,00	32	* 115X140X12V	V	115,00	140,00	140,20	12,00	35
		4.134	5.697	5.709	.591				4.528	5.512	5.520	.472	
* 105X145X12	S	105,00	145,00	145,20	12,00	32	* 115X145X16	S	115,00	144,70	145,00	16,00	32
		4.134	5.709	5.717	.472				4.528	5.697	5.709	.630	
* 105X160X15	S	105,00	160,00	160,20	15,00	32	115X145X13	S	115,00	145,00	145,30	13,00	35
		4.134	6.299	6.307	.591				4.528	5.709	5.720	.512	
* 106X126X12	S	106,00	125,72	126,00	12,00	32	115X145X14	↔ S	115,00	145,00	145,20	14,00	32
		4.173	4.950	4.961	.472				4.528	5.709	5.717	.551	
* 110X125X12	S	110,00	124,72	125,00	12,00	32	* 115X145X15	S	115,00	145,00	145,20	15,00	32
		4.331	4.910	4.921	.472				4.528	5.709	5.717	.591	
* 110X130X13	S	110,00	129,70	130,00	13,00	32	* 115X150X15	S	115,00	149,70	150,00	15,00	32
		4.331	5.106	5.118	.512				4.528	5.894	5.906	.591	
110X130X12	S	110,00	130,00	130,28	12,00	32	115X150X12	S	115,00	150,00	150,28	12,00	35
		4.331	5.118	5.129	.472				4.528	5.906	5.917	.472	
* 110X130X12V	V	110,00	130,00	130,20	12,00	32	* 115X155X15	S	115,00	155,00	155,20	15,00	32
		4.331	5.118	5.126	.472				4.528	6.102	6.110	.591	
* 110X135X12	S	110,00	135,00	135,20	12,00	32	* 115X159X14	S	115,00	158,70	159,00	14,00	32
		4.331	5.315	5.323	.472				4.528	6.248	6.260	.551	
110X135X13	S	110,00	135,00	135,30	13,00	32	* 115X160X15	S	115,00	160,00	160,20	15,00	32
		4.331	5.315	5.327	.512				4.528	6.299	6.307	.591	
* 110X140X14	S	110,00	139,70	140,00	14,00	32	* 115X146.5X13	S	115,00	146,20	146,50	13,00	32
		4.331	5.500	5.512	.551				4.528	5.756	5.768	.512	
110X140X12	S	110,00	140,00	140,28	12,00	32	* 116X132X12	S	116,00	131,70	132,00	12,00	32
		4.331	5.512	5.523	.472				4.567	5.185	5.197	.472	
* 110X140X12V	V	110,00	140,00	140,28	12,00	32	* 120X140X12	S	120,00	139,70	140,00	12,00	32
		4.331	5.512	5.523	.472				4.724	5.500	5.512	.472	
110X140X13	S	110,00	140,00	140,23	13,00	32	* 120X140X15	S	120,00	139,70	140,00	15,00	32
		4.331	5.512	5.521	.512				4.724	5.500	5.512	.591	
* 110X145X14	S	110,00	144,70	145,00	14,00	32	120X140X13	S	120,00	140,00	140,28	13,00	32
		4.331	5.697	5.709	.551				4.724	5.512	5.523	.512	
* 110X145X12	S	110,00	145,00	145,20	12,00	32	120X145X12	S	120,00	145,00	145,28	12,00	35
		4.331	5.709	5.717	.472				4.724	5.709	5.720	.472	
110X145X13	S	110,00	145,00	145,30	13,00	35	* 120X146X13	S	120,00	145,70	146,00	13,00	32
		4.331	5.709	5.720	.512				4.724	5.736	5.748	.512	
110X150X12	S	110,00	150,00	150,25	12,00	35	* 120X150X13	S	120,00	149,70	150,00	13,00	32
		4.330	5.905	5.915	0.472				4.724	5.894	5.906	.512	
* 110X150X13	S	110,00	149,70	150,00	13,00	32	* 120X150X14	S	120,00	149,70	150,00	14,00	32
		4.331	5.894	5.906	.512				4.724	5.894	5.906	.551	
110X150X15	S	110,00	150,00	150,28	15,00	35	* 120X150X15	S	120,00	149,70	150,00	15,00	32
		4.331	5.906	5.917	.591				4.724	5.894	5.906	.591	
* 110X155X15	S	110,00	155,00	155,20	15,00	32	120X150X12	S	120,00	150,00	150,28	12,00	32
		4.331	6.102	6.110	.591				4.724	5.906	5.917	.472	
* 110X160X12	S	110,00	159,70	160,00	12,00	32	* 120X150X12V	V	120,00	150,00	150,20	12,00	32
		4.331	6.287	6.299	.472				4.724	5.906	5.913	.472	
* 110X160X15	S	110,00	160,00	160,20	15,00	32	* 120X155X14	S	120,00	154,70	155,00	14,00	32
		4.331	6.299	6.307	.591				4.724	6.090	6.102	.551	
* 110X167X17	S	110,00	166,70	167,00	17,00	32	* 120X155X16	S	120,00	154,70	155,00	16,00	32
		4.331	6.563	6.575	.669				4.724	6.090	6.102	.630	

NUMERICAL SECTION

For Illustration and Material Data See Technical Section

↔ Hydrodynamic Lip Design-Bidirectional

* The U.S. customer service number is 877-4-TIMKEN. The Canadian customer service numbers are 800-565-4927 (English) and 800-565-0438 (French-Canadian).

Part No.	Lip Mat'l	Shaft Size	Hsg. Bore	Seal O.D.	Seal Width	Type/ Illus.	Part No.	Lip Mat'l	Shaft Size	Hsg. Bore	Seal O.D.	Seal Width	Type/ Illus.
METRIC SERIES (cont.)							METRIC SERIES (cont.)						
* 120X155X15	S	120,00	155,00	155,20	15,00	32	* 130X165X15	S	130,00	164,70	165,00	15,00	32
		4.724	6.102	6.110	.591				5.118	6.484	6.496	.591	
* 120X159X14	S	120,00	158,70	159,00	14,00	32	* 130X170X13	S	130,00	169,70	170,00	13,00	32
		4.724	6.248	6.260	.551				5.118	6.681	6.693	.512	
* 120X160X15	S	120,00	159,70	160,00	15,00	32	130X170X12	S	130,00	170,00	170,30	12,00	35
		4.724	6.287	6.299	.591				5.118	6.693	6.705	.472	
120X160X12	S	120,00	160,00	160,28	12,00	32	* 130X170X12V	V	130,00	170,00	170,20	12,00	35
		4.724	6.299	6.310	.472				5.118	6.693	6.701	.472	
* 120X160X12V	V	120,00	160,00	160,20	12,00	35	130X170X15	S	130,00	170,00	170,28	15,00	32
		4.724	6.299	6.307	.472				5.118	6.693	6.704	.591	
* 120X180X15	S	120,00	179,67	180,00	15,00	32	* 130X190X12	S	130,00	189,67	190,00	12,00	32
		4.724	7.074	7.087	.591				5.118	7.467	7.480	.472	
* 120X146.5X13	S	120,00	146,20	146,50	13,00	32	* 130X200X12	S	130,00	199,67	200,00	12,00	32
		4.724	5.756	5.768	.512				5.118	7.861	7.874	.472	
* 122X140X13	S	122,00	139,70	140,00	13,00	32	* 135X155X13	S	135,00	154,70	155,00	13,00	32
		4.803	5.500	5.512	.512				5.315	6.090	6.102	.512	
* 124X159X14	S	124,00	158,70	159,00	14,00	32	* 135X160X15	S	135,00	159,70	160,00	15,00	32
		4.882	6.248	6.260	.551				5.315	6.287	6.299	.591	
* 124X170X14.5	S	124,00	169,70	170,00	14,50	32	135X160X13	S	135,00	160,00	160,38	13,00	35
		4.882	6.681	6.693	.571				5.315	6.299	6.314	.512	
* 125X145X13	S	125,00	144,70	145,00	13,00	32	* 135X165X13	S	135,00	164,70	165,00	13,00	32
		4.921	5.697	5.709	.512				5.315	6.484	6.496	.512	
* 125X150X13	S	125,00	149,70	150,00	13,00	32	* 135X165X14	S	135,00	164,70	165,00	14,00	32
		4.921	5.894	5.906	.512				5.315	6.484	6.496	.551	
* 125X150X14	S	125,00	149,70	150,00	14,00	32	135X170X12	S	135,00	170,00	170,38	12,00	35
		4.921	5.894	5.906	.551				5.315	6.693	6.708	.472	
* 125X150X15	S	125,00	149,70	150,00	15,00	32	138X152X12	S	138,00	152,00	152,10	12,00	47
		4.921	5.894	5.906	.591				5.433	5.984	5.988	.472	
125X150X12	S	125,00	150,00	150,28	12,00	32	* 138X152X15	S	138,00	152,00	152,20	15,00	32
		4.921	5.906	5.917	.472				5.433	5.984	5.992	.591	
* 125X150X12V	V	125,00	150,00	150,20	12,00	32	* 140X160X14	S	140,00	159,70	160,00	14,00	32
		4.921	5.906	5.913	.472				5.512	6.287	6.299	.551	
* 125X155X14	S	125,00	154,70	155,00	14,00	32	140X160X12	S	140,00	160,00	160,20	12,00	32
		4.921	6.090	6.102	.551				5.512	6.299	6.307	.472	
125X155X12	S	125,00	155,00	155,20	12,00	32	140X160X13	S	140,00	160,00	160,27	13,00	35
		4.921	6.102	6.110	.472				5.512	6.299	6.310	.512	
* 125X155X15	S	125,00	155,00	155,20	15,00	32	* 140X165X13	S	140,00	164,70	165,00	13,00	32
		4.921	6.102	6.110	.591				5.512	6.484	6.496	.512	
* 125X160X15	S	125,00	159,70	160,00	15,00	32	* 140X165X15	S	140,00	165,00	165,28	15,00	32
		4.921	6.287	6.299	.591				5.512	6.496	6.507	.591	
125X160X12	S	125,00	160,00	160,28	12,00	32	* 140X168X15	S	140,00	167,70	168,00	15,00	32
		4.921	6.299	6.310	.472				5.512	6.602	6.614	.591	
125X170X15	S	125,00	170,00	170,20	15,00	32	* 140X170X13	S	140,00	169,70	170,00	13,00	32
		4.921	6.693	6.701	.591				5.512	6.681	6.693	.512	
* 125X146.5X13	S	125,00	146,20	146,50	13,00	32	* 140X170X14	S	140,00	169,70	170,00	14,00	32
		4.921	5.756	5.768	.512				5.512	6.681	6.693	.551	
* 128X150X15	S	128,00	150,00	150,28	15,00	35	140X170X12	S	140,00	170,00	170,30	12,00	32
		5.039	5.906	5.917	.591				5.512	6.693	6.705	.472	
* 130X150X12	S	130,00	149,70	150,00	12,00	32	* 140X170X12V	V	140,00	170,00	170,20	12,00	32
		5.118	5.894	5.906	.472				5.512	6.693	6.701	.472	
* 130X150X13	S	130,00	149,70	150,00	13,00	32	140X170X15	S	140,00	170,00	170,43	15,00	32
		5.118	5.894	5.906	.512				5.512	6.693	6.710	.591	
130X150X10	S	130,00	150,00	150,10	10,00	47	* 140X175X15	S	140,00	174,70	175,00	15,00	32
		5.118	5.906	5.909	.394				5.512	6.878	6.890	.591	
* 130X150X15	S	130,00	150,00	150,20	15,00	32	* 140X180X15	S	140,00	179,67	180,00	15,00	32
		5.118	5.906	5.913	.591				5.512	7.074	7.087	.591	
* 130X155X14	S	130,00	154,70	155,00	14,00	32	140X180X12	S	140,00	180,00	180,30	12,00	35
		5.118	6.090	6.102	.551				5.512	7.087	7.098	.472	
* 130X160X13	S	130,00	159,70	160,00	13,00	32	140X180X18	S	140,00	180,00	180,38	18,00	32
		5.118	6.287	6.299	.512				5.512	7.087	7.102	.709	
* 130X160X14	S	130,00	159,70	160,00	14,00	32	* 140X185X16	S	140,00	184,67	185,00	16,00	32
		5.118	6.287	6.299	.551				5.512	7.270	7.283	.630	
130X160X12	S	130,00	160,00	160,28	12,00	32	* 142X157X10	S	142,00	156,70	157,00	10,00	32
		5.118	6.299	6.310	.472				5.591	6.169	6.181	.394	
* 130X160X12V	V	130,00	160,00	160,20	12,00	32	144X160X12	S	144,00	160,00	160,25	12,00	35
		5.118	6.299	6.307	.472				5.669	6.299	6.309	.472	
130X160X15	S	130,00	160,00	160,20	15,00	32	145X164X14	S	145,00	164,00	164,10	14,00	47
		5.118	6.299	6.307	.591				5.709	6.457	6.461	.551	
* 130X165X13	S	130,00	164,70	165,00	13,00	32	* 145X164X15	S	145,00	164,00	164,20	15,00	32
		5.118	6.484	6.496	.512				5.709	6.457	6.465	.591	

For Illustration and Material Data See Technical Section

* The U.S. customer service number is 877-4-TIMKEN. The Canadian customer service numbers are 800-565-4927 (English) and 800-565-0438 (French-Canadian).

Numerical List Size & Type

Part No.	Lip Mat'l	Shaft Size	Hsg. Bore	Seal O.D.	Seal Width	Type/ Illus.	Part No.	Lip Mat'l	Shaft Size	Hsg. Bore	Seal O.D.	Seal Width	Type/ Illus.
METRIC SERIES (cont.)							METRIC SERIES (cont.)						
* 145X165X13	S	145,00	164,70	165,00	13,00	32	* 160X185X13	S	160,00	184,67	185,00	13,00	32
		5.709	6.484	6.496	.512				6.299	7.270	7.283	.512	
* 145X165X14	S	145,00	164,70	165,00	14,00	32	160X185X10	S	160,00	185,00	185,35	10,00	35
		5.709	6.484	6.496	.551				6.299	7.283	7.297	.394	
* 145X167X13	S	145,00	166,70	167,00	13,00	32	* 160X185X10V	V	160,00	185,00	185,20	10,00	35
		5.709	6.563	6.575	.512				6.299	7.283	7.291	.394	
* 145X170X13	S	145,00	169,70	170,00	13,00	32	* 160X190X13	S	160,00	189,67	190,00	13,00	32
		5.709	6.681	6.693	.512				6.299	7.467	7.480	.512	
* 145X170X15	S	145,00	169,70	170,00	15,00	32	160X190X15	S	160,00	190,00	190,35	15,00	32
		5.709	6.681	6.693	.591				6.299	7.480	7.494	.591	
145X170X12	S	145,00	170,00	170,45	12,00	32	* 160X190X15V	V	160,00	190,00	190,20	15,00	32
		5.709	6.693	6.711	.472				6.299	7.480	7.488	.591	
* 145X175X13	S	145,00	174,70	175,00	13,00	32	* 160X200X14	S	160,00	199,67	200,00	14,00	32
		5.709	6.878	6.890	.512				6.299	7.861	7.874	.551	
* 145X175X14	S	145,00	174,70	175,00	14,00	32	160X200X12	S	160,00	200,00	200,20	12,00	32
		5.709	6.878	6.890	.551				6.299	7.874	7.882	.472	
145X175X15	S	145,00	175,00	175,38	15,00	32	160X200X15	S	160,00	200,00	200,20	15,00	32
		5.709	6.890	6.905	.591				6.299	7.874	7.882	.591	
145X180X12	S	145,00	180,00	180,28	12,00	35	* 160X240X15	S	160,00	239,67	240,00	15,00	32
		5.709	7.087	7.098	.472				6.299	9.436	9.449	.591	
148X170X15	S	148,00	170,00	170,28	15,00	35	* 162X200X15	S	162,00	200,00	200,20	15,00	32
		5.827	6.693	6.704	.591				6.378	7.874	7.882	.591	
* 150X168X13	S	150,00	167,70	168,00	13,00	32	* 165X190X14	S	165,00	189,67	190,00	14,00	32
		5.906	6.602	6.614	.512				6.496	7.467	7.480	.551	
* 150X170X15	S	150,00	169,70	170,00	15,00	32	* 165X190X15	S	165,00	189,67	190,00	15,00	32
		5.906	6.681	6.693	.591				6.496	7.467	7.480	.591	
* 150X175X10	S	150,00	174,70	175,00	10,00	32	165X190X13	S	165,00	190,00	190,35	13,00	41
		5.906	6.878	6.890	.394				6.496	7.480	7.494	.512	
* 150X180X13	S	150,00	179,67	180,00	13,00	32	* 165X195X15	S	165,00	194,67	195,00	15,00	32
		5.906	7.074	7.087	.512				6.496	7.664	7.677	.591	
* 150X180X14	S	150,00	179,67	180,00	14,00	32	* 165X200X14	S	165,00	199,67	200,00	14,00	32
		5.906	7.074	7.087	.551				6.496	7.861	7.874	.551	
150X180X12	S	150,00	180,00	180,35	12,00	32	* 170X190X10	S	170,00	189,67	190,00	10,00	32
		5.906	7.087	7.100	.472				6.693	7.467	7.480	.394	
150X180X15	S	150,00	180,00	180,35	15,00	35	* 170X190X14	S	170,00	189,67	190,00	14,00	32
		5.906	7.087	7.100	.591				6.693	7.467	7.480	.551	
* 150X180X15V	V	150,00	180,00	180,20	15,00	32	170X200X15	S	170,00	200,00	200,35	15,00	32
		5.906	7.087	7.094	.591				6.693	7.874	7.888	.591	
* 150X185X16	S	150,00	184,67	185,00	16,00	32	170X210X15	S	170,00	210,00	210,20	15,00	32
		5.906	7.270	7.283	.630				6.693	8.268	8.276	.591	
* 150X190X15	S	150,00	189,67	190,00	15,00	32	175X200X15	S	175,00	200,00	200,35	15,00	32
		5.906	7.467	7.480	.591				6.890	7.874	7.888	.591	
* 150X200X13	S	150,00	199,67	200,00	13,00	32	* 175X210X15	S	175,00	209,67	210,00	15,00	32
		5.906	7.861	7.874	.512				6.890	8.255	8.268	.591	
* 150X210X15	S	150,00	209,67	210,00	15,00	32	* 175X230X20	S	175,00	229,67	230,00	20,00	32
		5.906	8.255	8.268	.591				6.890	9.042	9.055	.787	
* 150X225X12	S	150,00	224,67	225,00	12,00	32	* 180X200X14	S	180,00	199,67	200,00	14,00	32
		5.906	8.845	8.858	.472				7.087	7.861	7.874	.551	
* 154X172X14	S	154,00	171,70	172,00	14,00	32	* 180X200X15	S	180,00	199,67	200,00	15,00	32
		6.063	6.760	6.772	.551				7.087	7.861	7.874	.591	
* 154X172X15	S	154,00	172,00	172,20	15,00	32	180X210X15	S	180,00	210,00	210,35	15,00	32
		6.063	6.772	6.780	.591				7.087	8.268	8.281	.591	
* 155X172X14	S	155,00	171,70	172,00	14,00	32	* 180X215X15	S	180,00	214,67	215,00	15,00	32
		6.102	6.760	6.772	.551				7.087	8.452	8.465	.591	
* 155X174X12	S	155,00	173,70	174,00	12,00	32	* 180X220X15	S	180,00	219,67	220,00	15,00	32
		6.102	6.838	6.850	.472				7.087	8.648	8.661	.591	
* 155X180X12	S	155,00	179,67	180,00	12,00	32	* 180X220X16	S	180,00	219,67	220,00	16,00	32
		6.102	7.074	7.087	.472				7.087	8.648	8.661	.630	
* 155X180X13	S	155,00	179,67	180,00	13,00	32	* 185X210X15	S	185,00	209,67	210,00	15,00	32
		6.102	7.074	7.087	.512				7.283	8.255	8.268	.591	
155X180X15	S	155,00	180,00	180,23	15,00	32	185X210X13	S	185,00	210,00	210,35	13,00	35
		6.102	7.087	7.096	.591				7.283	8.268	8.281	.512	
* 155X185X16	S	155,00	184,67	185,00	16,00	32	* 185X215X16	S	185,00	215,00	215,22	16,00	32
		6.102	7.270	7.283	.630				7.283	8.465	8.473	.630	
* 160X180X10	S	160,00	179,67	180,00	10,00	32	* 190X210X10	S	190,00	209,67	210,00	10,00	32
		6.299	7.074	7.087	.394				7.480	8.255	8.268	.394	
* 160X180X13	S	160,00	179,67	180,00	13,00	32	* 190X210X15	S	190,00	209,67	210,00	15,00	32
		6.299	7.074	7.087	.512				7.480	8.255	8.268	.591	
* 160X182X18	S	160,00	181,67	182,00	18,00	32	* 190X220X15	S	190,00	220,00	220,35	15,00	32
		6.299	7.152	7.165	.709				7.480	8.661	8.675	.591	

NUMERICAL SECTION

For Illustration and Material Data See Technical Section

* The U.S. customer service number is 877-4-TIMKEN. The Canadian customer service numbers are 800-565-4927 (English) and 800-565-0438 (French-Canadian).

Part No.	Lip Mat'l	Shaft Size	Hsg. Bore	Seal O.D.	Seal Width	Type/Illus.	Part No.	Lip Mat'l	Shaft Size	Hsg. Bore	Seal O.D.	Seal Width	Type/Illus.
METRIC SERIES (cont.)							METRIC SERIES (cont.)						
190X220X16	S	190,00	220,00	220,35	16,00	32	*250X280X15	S	250,00	280,00	280,35	15,00	35
		7.480	8.661	8.675	.630				9.843	11.024	11.037	.591	
*190X225X12	S	190,00	224,67	225,00	12,00	32	*250X290X15	S	250,00	289,67	290,00	15,00	32
		7.480	8.845	8.858	.472				9.843	11.404	11.417	.591	
*190X225X16	S	190,00	224,67	225,00	16,00	32	*260X290X15	S	260,00	289,67	290,00	15,00	32
		7.480	8.845	8.858	.630				10.236	11.404	11.417	.591	
*190X225X16V	V	190,00	225,00	225,20	16,00	32	*260X300X20	S	260,00	300,00	300,45	20,00	32
		7.480	8.858	8.866	.630				10.236	11.811	11.829	.787	
*190X230X15	S	190,00	229,67	230,00	15,00	32	*265X290X16	S	265,00	289,67	290,00	16,00	32
		7.480	9.042	9.055	.591				10.433	11.404	11.417	.630	
190X230X16	S	190,00	230,00	230,20	16,00	32	*270X310X16	S	270,00	310,00	310,45	16,00	35
		7.480	9.055	9.063	.630				10.630	12.205	12.222	.630	
*195X230X16	S	195,00	229,67	230,00	16,00	32	280X320X20	S	280,00	320,00	320,45	20,00	32
		7.677	9.042	9.055	.630				11.024	12.598	12.616	.787	
*195X230X20	S	195,00	229,67	230,00	20,00	32	*285X320X20	S	285,00	319,67	320,00	20,00	32
		7.677	9.042	9.055	.787				11.220	12.585	12.598	.787	
*200X230X13	S	200,00	229,67	230,00	13,00	32	*290X330X18	S	290,00	329,67	330,00	18,00	32
		7.874	9.042	9.055	.512				11.417	12.979	12.992	.709	
200X230X15	S	200,00	230,00	230,35	15,00	32	300X340X20	S	300,00	340,00	340,45	20,00	32
		7.874	9.055	9.069	.591				11.811	13.386	13.404	.787	
*200X230X15V	V	200,00	230,00	230,20	15,00	32	*320X360X20	S	320,00	360,00	360,45	20,00	32
		7.874	9.055	9.063	.591				12.598	14.173	14.191	.787	
*200X235X15	S	200,00	234,67	235,00	15,00	32	*340X380X20	S	340,00	380,00	380,45	20,00	32
		7.874	9.239	9.252	.591				13.386	14.961	14.978	.787	
*200X240X15	S	200,00	239,67	240,00	15,00	32	*360X400X20	S	360,00	400,00	400,45	20,00	32
		7.874	9.436	9.449	.591				14.173	15.748	15.766	.787	
*200X240X20	S	200,00	239,67	240,00	20,00	32	*380X420X20	S	380,00	420,00	420,45	20,00	32
		7.874	9.436	9.449	.787				14.961	16.535	16.553	.787	
*200X250X16	S	200,00	249,67	250,00	16,00	32	*400X440X20	S	400,00	440,00	440,45	20,00	32
		7.874	9.830	9.843	.630				15.748	17.323	17.341	.787	
*200X250X20	S	200,00	249,67	250,00	20,00	32	FELT SEALS						
		7.874	9.830	9.843	.787		5M81	F	1.938	-	2.875	.375	#
*205X225X18	S	205,00	224,67	225,00	18,00	32	5M89	F	2.500	-	3.438	.313	#
		8.071	8.845	8.858	.709		5M289	F	2.000	-	2.750	.438	#
*205X235X18	S	205,00	234,67	235,00	18,00	32	5M293	F	1.938	-	3.000	.375	#
		8.071	9.239	9.252	.709		5M356	F	2.000	-	3.125	.375	#
210X240X15	S	210,00	240,00	240,35	15,00	35	5M403	F	2.000	-	3.125	.500	#
		8.268	9.449	9.463	.591		*5M445	F	1.750	-	2.438	.313	#
*210X250X16	S	210,00	249,67	250,00	16,00	32	5M466	F	6.438	-	7.563	.500	#
		8.268	9.830	9.843	.630		5M497	F	4.125	-	5.750	.438	#
210X250X15	S	210,00	250,00	250,20	15,00	32	5M544	F	4.875	-	5.625	.375	#
		8.268	9.843	9.850	.591		5M559	F	2.813	-	3.563	.313	#
*210X270X16	S	210,00	269,67	270,00	16,00	32	5M643	F	3.250	-	4.063	.313	#
		8.268	10.617	10.630	.630		5MR71	F	2.188	-	3.063	.250	#
220X250X15	S	220,00	250,00	250,35	15,00	32	5MR1008	F	2.688	-	3.500	.219	#
		8.661	9.843	9.856	.591		5MR1009	F	2.937	-	3.812	.313	#
*220X250X15V	V	220,00	250,00	250,20	15,00	35	5MR1300	F	.938	-	1.500	.375	#
		8.661	9.843	9.850	.591		5MR1301	F	3.344	-	3.875	.281	#
*220X255X16	S	220,00	254,67	255,00	16,00	32							
		8.661	10.026	10.039	.630								
*220X260X14	S	220,00	259,67	260,00	14,00	32							
		8.661	10.223	10.236	.551								
*220X260X16	S	220,00	259,67	260,00	16,00	32							
		8.661	10.223	10.236	.630								
*220X260X15	S	220,00	260,00	260,20	15,00	32							
		8.661	10.236	10.244	.591								
*222X245X13	S	222,00	244,67	245,00	13,00	32							
		8.740	9.633	9.646	.512								
230X260X15	S	230,00	260,00	260,35	15,00	35							
		9.055	10.236	10.250	.591								
240X270X15	S	240,00	270,00	270,35	15,00	35							
		9.449	10.630	10.644	.591								
*240X270X16	S	240,00	270,00	270,35	16,00	35							
		9.449	10.630	10.644	.630								
*240X280X18	S	240,00	279,67	280,00	18,00	32							
		9.449	11.011	11.024	.709								
*240X280X20	S	240,00	279,67	280,00	20,00	32							
		9.449	11.011	11.024	.787								
240X280X16	S	240,00	280,00	280,20	16,00	32							
		9.449	11.024	11.031	.630								

For Illustration and Material Data See Technical Section

Designed For A Specific Application - Not Recommended For General Use

Numerical List Kits

Kit No.	Kit Dimensions			Seal No.	Type/ Lip Illus. Mat'l		Seal Dimensions			Remarks
	Shaft	O.D.	Width		Shaft	O.D.	Width			
PSK-1	1.250	1.756	-	SR2	-	-	-	-	-	(Kit)
				(2)SW2	-	-	-	-	-	
				5683++	32	S	1.250	1.756	.300	
				5684++	32	S	1.250	1.756	.399	
5000	1.763	2.416	.563	-	-	-	-	-	-	
5001	1.875	2.565	.563	-	-	-	-	-	-	
5008	4.642	5.756	.750	455053	45	S	4.750	5.757	.562	Contains• JX847 Wear Sleeve
* 5010	4.750	6.006	.750	476621H	47	H	4.875	6.006	.562	Contains• J1135 Wear Sleeve
5015	3.010	8.250	.571	8369S	#	S	3.125	-	.571	Contains• G48 Gasket &• JV495 Wear Sleeve & (2) • G523 Gasket
5026	6.000	6.757	.750	336665H	33	H	6.125	6.757	.375	Contains• J1141 Wear Sleeve
5028	3.930	5.381	.875	9586	#	S	4.062	5.378	.627	Contains• JV1511A Wear Sleeve
5033	4.834	5.756	.710	3492	48	T	5.000	5.756	.500	Contains• JX2162 Wear Sleeve
5039	5.991	6.757	.500	4165V	#	V	6.107	6.757	.500	Contains• JV2088 Wear Sleeve
5045	2.496	3.758	.625	200851%	200E	S	2.496	3.772	.315	Contains• JV1582 Wear Sleeve
5065	3.994	5.005	.625	455134H	45	H	4.125	5.005	.468	Contains• J1129 Wear Sleeve
5066	2.377	3.505	.937	3894V	48	V	2.500	3.505	.500	Contains• JX1920 Wear Sleeve Seal & Sleeve (Split Seal)
5068	-	-	-	-	-	-	-	-	-	
5071	1.500	2.570	.550	200861%	200E	S	1.500	2.482	.290	Contains• JV933 Wear Sleeve
5072	2.625	3.480	.380	-	-	-	-	-	-	
5073	-	-	-	-	-	-	-	-	-	Contains (2) G753 Gasket
5075	4.500	6.259	.862	9588&	#	S	4.625	6.257	.550	Contains• JV1513 Wear Sleeve
5076	3.937	5.678	.875	9586	#	S	4.062	5.378	.627	Contains• JV1511 Wear Sleeve
5077	4.375	6.259	.843	9587&	#	S	4.500	6.257	.820	Contains• JV1512 Wear Sleeve
5079	3.110	5.750	.375	7896S	51	S	3.110	5.750	.375	
* 5082	5.180	6.507	.750	456986H	45	H	5.312	6.507	.625	Contains• J2037 Wear Sleeve
5084	3.750	4.756	.625	-	-	-	-	-	-	
5089	3.937	5.509	.597	2155	#	S	4.062	5.509	.597	Contains• JV1511 Wear Sleeve (Split Seal)
5092	-	3.030	.325	-	-	-	-	-	-	
5095	3.438	4.012	.410	-	-	-	-	-	-	(Rope Type)
5100	3.112	4.633	.920	9583	#	S	3.250	4.633	.706	Contains• JV1508 Wear Sleeve
5106	-	-	-	-	-	-	-	-	-	Split Seal
5108	-	4.200	.222	-	-	-	-	-	-	(Split Seal)
5111	-	-	-	-	-	-	-	-	-	(Split Seal)
5112	-	-	-	-	-	-	-	-	-	(Split Seal)
5116	-	4.000	.187	-	-	-	-	-	-	(Split Seal)
5117	3.438	4.313	.188	-	-	-	-	-	-	(Split Seal)
5118	-	-	-	-	-	-	-	-	-	(Split Seal)
5120	3.125	4.130	.625	415566N	41	N	3.250	4.130	.562	Contains• J1122 Wear Sleeve
5146	5.500	6.631	.875	415487	41	S	5.625	6.631	.625	Contains• JV1463 Wear Sleeve
5147	2.625	3.755	.625	200919%	200E	S	2.625	3.960	.320	Contains• JV1517 Wear Sleeve
5160	2.250	3.256	.625	412038	41	S	2.375	3.256	.437	Contains• J1113 Wear Sleeve &• JV1836 Wear Sleeve
5161	2.000	3.376	.625	410972	41	S	2.125	3.376	.468	Contains• J1109 Wear Sleeve &• JV1837 Wear Sleeve
5163	2.835	3.425	.230	-	-	-	-	-	-	
5164	6.875	8.633	.825	3123	#	S	6.956	8.633	.750	
				3124%	46	S	6.875	8.543	.825	
5166	1.250	2.254	.750	410169	41	S	1.375	2.254	.500	Contains• JV1873 Wear Sleeve
5167	3.625	4.756	.875	475379	47	S	3.750	4.756	.500	Contains• JV1874 Wear Sleeve
5168	1.062	2.129	.625	413293	41	S	1.187	2.129	.375	Contains• JV1872 Wear Sleeve
5169	3.250	4.254	.750	476028	47	S	3.375	4.254	.468	Contains• JV1875 Wear Sleeve
5170	4.062	5.506	.875	415039	41	S	4.187	5.506	.562	Contains• JV1473 Wear Sleeve
* 5172	2.000	5.880	.458	6959	#	S	2.375	5.880	.331	Contains• K251 Wiper &• G895A Gasket
5175	9.265	11.385	.990	455871V	45	V	9.375	11.385	.750	Contains• JV829 Wear Sleeve
5185	3.125	8.250	.571	-	-	-	-	-	-	
5188	2.000	3.376	.625	410972N	41	N	2.125	3.376	.468	Contains• J1109 Wear Sleeve &• JV1837 Wear Sleeve
5189	2.250	3.256	.625	412038N	41	N	2.375	3.256	.437	Contains• J1113 Wear Sleeve &• JV1836 Wear Sleeve
5199	5.000	6.131	.875	8971H	7S	H	5.125	6.131	.750	Contains• JX1831 Wear Sleeve
5200	1.502	2.381	.940	9613S	71	S	1.500	2.381	.470	Contains• RP 356 Bushing (Seal & Bushing Kit)
5201	1.500	2.378	1.500	470059	47	S	1.500	2.378	.500	Contains• RP 605 Bushing (Seal & Bushing Kit)
5202	1.500	2.378	1.500	7692S	79	S	1.500	2.376	1.458	Contains• RP 605 Bushing (Seal & Bushing Kit)
5203	1.689	2.850	2.120	7300S	79	N	1.685	2.506	1.250	Contains• RP 661 Bushing (Seal & Bushing Kit)
5204	1.376	2.254	1.370	7495S	61	S	1.375	2.254	.713	Contains• RP 691 Bushing (Seal & Bushing Kit)
5205	1.688	2.687	1.240	7038SA	41	S	1.687	2.506	.582	Contains RP 717 Bushing (Seal & Bushing Kit)
5206	1.688	2.850	2.120	7300S	79	N	1.685	2.506	1.250	Contains• RP 546 Bushing (Seal & Bushing Kit)
5207	1.566	2.515	1.370	8935S&	79	S	1.558	2.254	1.520	Contains• RP 553 Bushing (Seal & Bushing Kit)
5208	1.887	1.998	1.000	9449	74	S	1.890	2.704	.582	Contains RP775 Bushing (Seal & Bushing Kit)
5227	9.375	11.383	.825	3502	45	S	9.477	11.383	.750	
				3503%	#	S	9.375	11.273	.825	
5228	5.875	7.008	.875	456055V	45	V	6.000	7.008	.625	Contains• JX1002 Wear Sleeve
5229	4.993	6.131	.750	416172	41	S	5.125	6.131	.562	Contains• J1137 Wear Sleeve
5273	2.991	3.637	.385	100202T	FW-H	T	2.991	3.637	.385	(Teflon®)
5274	3.740	4.540	.492	100203T	FW-H	T	3.740	4.540	.492	Contains 733215 Gasket (Teflon®)
5276	7.369	9.010	.875	415551	41	S	7.500	9.010	.750	Contains• JV1190 Wear Sleeve
5277	3.625	4.256	.390	100204T	FW-H	T	3.625	4.256	.390	(Teflon®)

NUMERICAL SECTION

Designed For A Specific Application - Not Recommended For General Use ◀ Hydrodynamic Lip Design-CCW ▶ Hydrodynamic Lip Design-Bidirectional

++ Not Sold Separately % External Bore & Flanged O.D.

* The U.S. customer service number is 877-4-TIMKEN. The Canadian customer service numbers are 800-565-4927 (English) and 800-565-0438 (French-Canadian).

• Sold Separately

Kit No.	Kit Dimensions			Seal No.	Type/ Illus.	Lip Mat'l	Seal Dimensions			Remarks
	Shaft	O.D.	Width				Shaft	O.D.	Width	
5278	3.750	4.506	.362	•100205T	FW-H	T	3.750	4.506	.362	(Teflon®)
5279	3.583	4.375	.394	•100052T	FW-H	T	3.583	4.375	.394	Contains 731414 Gasket (Teflon®)
5287	3.465	4.266	.437	•100239T	FW-H	T	3.465	4.266	.437	Contains 732079 Gasket & 733419 Gasket & 734280 Gasket (Teflon®)
5290	2.988	3.740	1.165	-	-	-	-	-	-	
5302	1.750	3.376	.667	•8398	39	S	1.937	3.376	.667	Contains• K259 Wiper
5313	3.010	8.250	.571	•8369S	#	S	3.125	-	.571	Contains• K282 Wiper & (2) • G523 Gasket
5327	3.500	6.625	.531	•6245S	#	S	3.500	6.625	.531	Contains (2) • G35 Gasket
5329	2.000	4.562	.562	6465B++	#	F	2.000	4.562	.562	Contains (2) G33 Gasket
5330	2.000	4.562	.562	•6469	#	F	2.000	4.562	.562	Contains (2) • G34 Gasket
5331	1.562	2.506	.500	•450185	45	S	1.562	2.506	.500	Contains• G199 Gasket
5332	2.187	3.194	.437	450354	45	S	2.187	3.194	.437	Contains• G25 Gasket
5336	1.875	2.762	.500	•410283	41	S	1.875	2.762	.500	Contains• G736 Gasket
5346	1.062	1.507	.250	•340210	34	S	1.062	1.507	.250	Contains (2) • 666215 'O' Ring & 666232 'O' Ring & 666334 'O' Ring
5347	3.562	4.630	.700	•8480	#	S	3.557	4.530	.320	Contains• JV1170 Wear Sleeve
5361	1.875	3.130	.625	•450310N	45	N	2.000	3.130	.500	Contains• J1107 Wear Sleeve
5364	1.766	3.005	.875	•451139	45	S	1.875	3.005	.375	Contains• JX825 Wear Sleeve
5373	3.250	4.254	.625	•416294N	41	N	3.375	4.254	.500	Contains• J1123 Wear Sleeve
5376	4.000	5.004	.625	•415134N	41	N	4.125	5.004	.468	Contains• J1129 Wear Sleeve
5377	4.750	6.256	.750	•415068N	41	N	4.875	6.256	.562	Contains• J1135 Wear Sleeve
5381	3.250	5.004	.625	•415025	41	S	3.375	5.004	.468	Contains• J1123 Wear Sleeve
5382	3.250	4.254	.625	•415613	41	S	3.375	4.254	.625	Contains• J1123 Wear Sleeve
5383	5.625	6.632	1.000	455447	45	S	5.750	6.632	.625	Contains• J1355 Wear Sleeve
5384	2.531	6.125	.500	•7154S	#	S	2.531	6.125	.500	Contains• G41 Gasket
5388	1.875	2.690	.625	450360	45	S	2.000	2.690	.500	Contains• J1107 Wear Sleeve
5390	-	6.600	.430	-	-	-	-	-	-	Contains (2) • G214 Gasket & (2) • G594 Gasket
5397	2.121	3.350	.500	•9434%	46	S	2.121	3.296	.460	
				•482435	48	S	2.172	3.350	.500	
5399	2.812	4.504	1.000	•415356	41	S	2.937	4.504	.468	Contains• JV1427 Wear Sleeve
5401	2.500	6.125	.435	•7512S	51	S	2.500	6.125	.400	Contains (2) • G41 Gasket & G43 Gasket & JV1304 Wear Sleeve
5403	2.860	6.562	.571	•6479	#	S	2.860	6.460	.520	Contains• J493 Wear Sleeve
5405	3.125	7.500	.625	•6480	#	S	3.125	7.500	.531	Contains• G49 Gasket & K282 Wiper
5406	2.562	8.250	1.003	•6481N	-	-	-	-	-	Contains• G40 Gasket & K282 Wiper
5408	3.124	8.250	.518	•6477S	#	S	3.226	8.250	.518	Contains (2) • G40 Gasket & G42 Gasket & J873 Wear Sleeve
5410	3.125	8.125	.571	•6505S	#	S	3.125	8.125	.571	Contains• G48 Gasket & (2) • G54 Gasket & JV495 Wear Sleeve
5414	-	5.625	.430	-	-	-	-	-	-	Contains (2) • G129 Gasket & G130 Gasket & G131 Gasket
5419	-	6.906	.440	-	-	-	-	-	-	Contains (2) • G137 Gasket
5422	5.187	6.513	1.380	•327984	32	T	5.312	6.513	.500	Contains• JF2280 Wear Sleeve
5424	5.179	6.513	1.380	•327984	32	T	5.312	6.513	.500	Contains• JF2280 Wear Sleeve
5436	6.500	8.007	.750	914412	91	T	6.625	8.007	.750	Contains JG2361 Wear Sleeve
5441	6.500	8.007	.750	914411	91	T	6.625	8.007	.750	Contains JL2361 Wear Sleeve
5443	6.500	8.007	1.000	914413	91	T	6.625	8.007	1.000	Contains JG2345 Wear Sleeve
5452	3.000	8.250	.531	6764S	#	S	3.125	8.250	.500	Contains• G48 Gasket & G167 Gasket & J495 Wear Sleeve
5453	3.625	4.879	.585	•485497	48	S	3.625	4.879	.585	Contains• 633013 'O' Ring Kit
5458	1.880	2.414	.250	•6910S	35	S	1.880	2.414	.250	Contains• 610101 'O' Ring
5460	4.687	5.756	1.562	•455251H	45	H	4.812	5.756	.562	Contains• JV729 Wear Sleeve
5461	4.687	5.756	1.562	•75251S	75	S	4.812	5.756	.750	Contains• J729 Wear Sleeve
5462	1.172	1.832	.422	•6370N	33	N	1.299	1.832	.375	Contains• J712 Wear Sleeve
5465	3.937	5.506	.859	•455037	45	S	4.062	5.506	.562	Contains• JV1362 Wear Sleeve
5471	4.812	6.316	1.250	•6872S	47	S	5.500	6.316	1.250	Contains• JV701 Wear Sleeve
5472	4.812	7.004	1.250	•7006S	43	S	5.500	7.004	1.250	Contains• JV701 Wear Sleeve
5473	4.812	6.505	1.125	•6873S	43	S	5.500	6.505	1.125	Contains• JV701 Wear Sleeve
5475	3.868	5.506	.921	•6864S	45	S	4.050	5.506	.671	Contains• J718 Wear Sleeve
5476	-	4.875	.455	-	-	-	-	-	-	Contains (2) • G211 Gasket
* 5479	-	4.862	.410	-	-	-	-	-	-	Contains (2) • G196 Gasket & (2) • G214 Gasket
5481	4.759	6.316	1.250	•6872S	47	S	5.500	6.316	1.250	Contains• JV753 Wear Sleeve
5483	4.759	6.505	1.125	•6873S	43	S	5.500	6.505	1.125	Contains• JV753 Wear Sleeve
5487	2.000	5.880	.448	-	-	-	-	-	-	Contains (2) • G221 Gasket & K251 Wiper
5488	2.129	2.766	.250	•6957	48	N	2.129	2.766	.250	Contains• 610123 'O' Ring
5494	3.010	8.150	.925	•6897	#	S	3.125	8.250	.925	Contains (2) • G40 Gasket & K156 Wiper
5495	4.759	7.004	1.250	•7006S	43	S	5.500	7.004	1.250	Contains• JV753 Wear Sleeve
5499	1.915	2.548	.250	•7020	#	S	1.915	2.548	.250	Contains• 610105 'O' Ring
5509	3.119	4.130	.750	•255566H	25	H	3.250	4.130	.500	Contains• J1401 Wear Sleeve
5518	3.119	4.756	.875	-	-	-	-	-	-	
* 5520	2.432	3.756	.750	•415244	41	S	2.562	3.756	.500	Contains• JV1455 Wear Sleeve
5521	2.120	3.505	.750	•415093	41	S	2.250	3.505	.500	Contains• JV1456 Wear Sleeve
5526	3.994	5.004	.718	•415134	41	S	4.125	5.004	.468	Contains• JV1461 Wear Sleeve
5527	4.743	6.256	.812	415068	41	S	4.875	6.256	.562	Contains• JV1462 Wear Sleeve

Designed For A Specific Application - Not Recommended For General Use ➔ Hydrodynamic Lip Design-CW ◀ Hydrodynamic Lip Design-CCW ++ Not Sold Separately
% External Bore

Numerical List Kits

Kit No.	Kit Dimensions			Seal No.	Type/ Lip		Seal Dimensions			Remarks
	Shaft	O.D.	Width		Illus.	Mat'l	Shaft	O.D.	Width	
5531	1.812	2.879	.718	•410295	41	S	1.937	2.879	.468	Contains• JV1464 Wear Sleeve
5532	3.562	5.256	.468	•416670	41	S	3.687	5.256	.468	Contains• JV1469 Wear Sleeve
5537	4.062	6.000	.875	•416673	41	S	4.187	6.007	.625	Contains• JV1473 Wear Sleeve
5538	6.875	8.382	.750	•416674	41	S	7.000	8.382	.750	Contains• JV1474 Wear Sleeve
5550	1.438	2.192	.480	•9249	47	S	1.437	2.192	.480	Contains• 623017 'O' Ring
*5551	3.500	5.256	.718	•416335	41	S	3.625	5.256	.468	Contains• JV1494 Wear Sleeve
5563	3.937	5.506	.859	•6864S	45	S	4.050	5.506	.671	Contains• JV1362 Wear Sleeve
5567	2.430	3.031	.380	—	—	—	—	—	—	—
5573	1.915	2.548	.250	•7020	#	S	1.915	2.548	.250	Contains• 610145 'O' Ring
5575	4.687	7.635	.359	•6701	#	S	4.740	7.575	.410	Contains JV608 Wear Sleeve
*5576	—	5.700	.415	—	—	—	—	—	—	Contains (2) • G427 Gasket
5578	3.125	4.130	1.000	•485500N	48	N	3.298	4.130	.562	Contains• K179 Wiper
5581	4.000	5.004	.937	•7390%	#	S	4.000	4.906	.821	Contains• JV943 Wear Sleeve
5584	2.750	3.881	1.000	•415479N	41	N	3.000	3.881	.468	Contains• K198 Wiper
5588	3.375	4.380	.812	•8130%	#	S	3.375	4.380	.730	Contains• JV976 Wear Sleeve
5589	2.129	2.766	.250	•6957	48	N	2.129	2.766	.250	Contains• 666151 'O' Ring
5591	—	6.240	.400	—	—	—	—	—	—	Contains (2) • G462 Gasket & (2) • G463 Gasket
5592	1.493	2.507	.700	•8097%	39	S	1.476	2.447	.620	Contains• JV970 Wear Sleeve
5593	3.250	4.572	.750	•200870%	200E	S	3.249	4.488	.318	Contains• JV980 Wear Sleeve
5594	1.875	4.812	.312	•7105S	#	S	1.875	4.812	.312	Contains (2) • G196 Gasket & (2) • G456 Gasket
5596	—	4.875	.410	—	—	—	—	—	—	Contains (2) • G196 Gasket & (2) • G456 Gasket
5599	1.875	2.627	.843	•470455	47	S	1.937	2.627	.500	Contains• J990 Wear Sleeve
5601	2.875	3.756	.625	•476023N	47	N	3.000	3.756	.375	Contains• JV1120 Wear Sleeve
5602	2.375	3.433	1.000	•473274N	47	N	2.500	3.433	.375	Contains• JV1802 Wear Sleeve
5603	2.375	4.943	1.000	•3136N↔	47	N	2.500	4.943	.500	Contains• JV1802 Wear Sleeve
5604	2.125	3.072	.433	•3948	#	S	2.201	2.741	.197	Contains• JV2019 Wear Sleeve
5609	3.250	4.008	.866	—	—	—	—	—	—	—
5613	6.079	7.336	.750	•2628	64	H	6.204	7.336	.562	Contains• K458 Wiper &• J1842 Wear Sleeve
5615	7.908	9.508	.960	•3624	#	S	8.000	9.508	.860	—
				•3776S	#	S	7.908	9.535	.960	—
5624	5.000	6.131	.875	•456557	45	V	5.125	6.131	.500	Contains• JX1831 Wear Sleeve
5625	4.646	5.756	.625	•485138	48	S	4.750	5.756	.500	Contains• JX1386 Wear Sleeve
5629	3.000	4.008	.625	•457034	45	V	3.125	4.008	.500	Contains• J1121 Wear Sleeve
5632	9.057	10.719	1.000	•3689	#	V	9.173	10.719	.625	Contains• J1984 Wear Sleeve
*5634	6.204	7.336	.812	•3807	64	H	6.328	7.336	.500	Contains• J1825 Wear Sleeve
5637	6.079	7.336	.600	•2628	64	H	6.204	7.336	.562	Contains• J1895 Wear Sleeve
5643	4.875	6.006	.715	•3782	#	H	5.000	6.006	.500	Contains• J1606 Wear Sleeve
5645	5.998	6.757	.675	•4165V↔	#	V	6.107	6.757	.500	Contains• J2051 Wear Sleeve
5649	3.562	5.125	.875	•9584&	74	S	3.562	4.761	.550	Contains• JV1509 Wear Sleeve
5650	—	5.700	.415	—	—	—	—	—	—	—
5657	3.000	4.008	.687	•457034	45	V	3.125	4.008	.500	Contains• JX1747 Wear Sleeve
5665	4.841	5.756	.750	•3492V	48	V	5.000	5.756	.500	Contains JX1967 Wear Sleeve
5666	2.340	3.355	.650	•3501V	69	V	2.420	3.355	.375	Contains• JX1966 Wear Sleeve
5667	3.865	6.102	.975	•4269	74	S	4.000	5.700	.850	Contains• J2058 Wear Sleeve
5682	—	—	—	—	—	—	—	—	—	—
5685	—	—	—	—	—	—	—	—	—	—
5686	—	—	—	—	—	—	—	—	—	(Kit)
5690	—	—	—	—	—	—	—	—	—	(Repair Kit)
5694	—	—	—	•1884	32	S	2.047	2.688	.394	(Kit)
				•4899	66	S	2.205	2.958	.256	—
				722111	—	—	—	—	—	—
5695	2.010	2.965	.318	•SK1++	#	S	2.030	2.601	.295	Contains• SK3 Wear Sleeve (Kit)
				•SK2++	#	S	2.010	2.876	.318	—
5696	2.047	2.964	.315	•1993	47	S	2.205	2.885	.492	(Kit)
				•4898	66	S	2.047	2.603	.295	—
				722110	—	—	—	—	—	—
5697	1.875	3.150	.315	4051	#	S	1.875	2.907	.315	Contains• AS232 'O' Ring
5698	2.420	3.558	.336	4185	#	S	2.420	3.558	.336	Contains• AS043 'O' Ring
5699	1.875	2.808	.433	4310	285	S	1.875	2.808	.433	Contains• AS232 'O' Ring
5700	—	—	—	—	—	—	—	—	—	(Kit)
5722	5.000	6.006	.717	•947090↔	94	T	5.125	6.006	.413	Contains• JL2370 Wear Sleeve

NUMERICAL SECTION

Designed For A Specific Application - Not Recommended For General Use ↔ Hydrodynamic Lip Design-CCW ↔ Hydrodynamic Lip Design-Bidirectional
 ++ Not Sold Separately % External Bore & Flanged O.D.
 * The U.S. customer service number is 877-4-TIMKEN. The Canadian customer service numbers are 800-565-4927 (English) and 800-565-0438 (French-Canadian).
 • Sold Separately

Part No.	Shaft	I.D.	Eff. Shaft Dia.	Flanged O.D.	Width	Type/ Illus.	Part No.	Shaft	I.D.	Eff. Shaft Dia.	Flanged O.D.	Width	Type/ Illus.
SK3++	2.896	2.965	—	—	.245	#	J1106	1.812	1.807	1.937	—	.625	19
J121	1.737	1.732	—	3.100	.203	10	JV1106	1.812	1.807	1.937	—	.625	19
J493	2.763	2.758	2.860	—	.435	15	J1107	1.875	1.870	2.000	—	.625	19
JV495	3.010	3.005	3.115	—	.435	15	JV1107	1.875	1.870	2.000	—	.625	19
*JV608	4.687	4.680	4.740	—	.283	15	J1109	2.000	1.995	2.125	—	.625	19
JV701	4.812	4.812	5.510	—	.875	#	JV1109	2.000	1.995	2.125	—	.625	19
J712	1.177	1.172	1.300	—	.422	19	J1110	2.062	2.057	2.187	—	.625	19
J729	4.687	4.683	4.812	—	1.562	19	JV1110	2.062	2.057	2.187	—	.625	19
JV729	4.687	4.683	4.826	—	1.562	19	J1111	2.125	2.120	2.250	—	.625	19
JV753	4.764	4.759	5.510	—	.875	#	JV1111	2.125	2.120	2.250	—	.625	19
J756	2.289	2.284	2.386	—	.453	15	JX1111	2.125	2.120	2.250	2.250	.625	19
J790	2.536	2.531	3.128	—	.625	#	J1112	2.187	2.182	2.312	—	.625	19
JV790	2.536	2.531	3.128	—	.625	#	JV1112	2.187	2.182	2.312	—	.625	19
J825	1.766	1.761	1.871	—	.875	19	J1113	2.250	2.245	2.375	—	.625	19
JV825	1.766	1.761	1.871	—	.875	19	JV1113	2.250	2.245	2.375	—	.625	19
JX825	1.766	1.761	1.871	—	.875	19	J1114	2.312	2.307	2.437	—	.625	19
JV829	9.265	9.256	9.365	—	.990	19	JV1114	2.312	2.307	2.437	—	.625	19
JX829	9.265	9.256	9.365	—	.990	19	J1115	2.375	2.370	2.500	—	.625	19
JXS829	9.265	9.256	9.365	—	.990	19	JV1115	2.375	2.370	2.500	—	.625	19
JX845	5.641	5.634	5.743	—	.750	19	J1117	2.500	2.495	2.625	—	.625	19
JX846	6.892	6.884	6.993	—	.937	19	JV1117	2.500	2.495	2.625	—	.625	19
JX847	4.636	4.631	4.744	—	.750	19	JX1117	2.500	2.495	2.625	—	.625	19
J872	—	3.187	3.322	—	.970	1	J1118	2.625	2.620	2.750	—	.625	19
J873	3.130	3.124	3.226	—	.435	15	JV1118	2.625	2.620	2.750	—	.625	19
J892	7.117	7.109	8.356	8.453	1.684	#	J1119	2.750	2.745	2.875	—	.625	19
J893	7.221	7.214	—	7.767	.491	#	JV1119	2.750	2.745	2.875	—	.625	19
J930	10.915	10.906	—	11.975	.815	10	J1120	2.875	2.870	3.000	—	.625	19
JV933	—	2.437	2.570	—	.550	1	JV1120	2.875	2.870	3.000	—	.625	19
JV943	4.917	4.910	5.004	—	.937	1	JX1120	2.875	2.870	3.000	—	.625	19
JV949	3.146	3.140	3.224	—	.625	1	J1121	3.000	2.994	3.125	—	.625	19
J953	5.637	5.630	5.755	—	1.175	1	JV1121	3.000	2.994	3.125	—	.625	19
JV970	2.458	2.453	2.507	—	.700	1	J1122	3.125	3.119	3.250	—	.625	19
JV976	—	3.453	4.380	—	.812	2	JV1122	3.125	3.119	3.250	—	.625	19
JV980	4.481	4.312	4.572	—	.750	1	JX1122	3.125	3.119	3.250	—	.625	19
J983	1.646	1.641	1.745	—	.625	19	J1123	3.250	3.244	3.375	—	.625	19
J986	12.345	11.260	12.400	—	.590	1	JV1123	3.250	3.244	3.375	—	.625	19
J990	1.876	1.871	1.933	—	.843	19	J1124	3.375	3.369	3.500	—	.625	19
JV1002	5.875	5.868	6.000	—	.875	19	JV1124	3.375	3.369	3.500	—	.625	19
JX1002	5.875	5.868	6.000	—	.875	19	J1125	3.500	3.494	3.625	—	.625	19
JV1018	2.288	2.284	2.386	—	.453	15	JV1125	3.500	3.494	3.625	—	.625	19
JV1019	6.444	6.437	6.526	—	.550	1	JX1125	3.500	3.494	3.625	—	.625	19
J1025	4.691	3.562	4.786	—	.840	1	J1126	3.625	3.619	3.750	—	.625	19
J1043	2.423	2.418	—	2.680	.488	#	JV1126	3.625	3.619	3.750	—	.625	19
J1044	3.000	2.995	3.125	—	1.250	#	J1127	3.750	3.744	3.875	—	.625	19
J1049	1.843	1.781	1.937	2.521	.782	8	JV1127	3.750	3.744	3.875	—	.625	19
J1059	6.575	6.515	6.687	7.531	1.040	8	J1128	3.875	3.869	4.000	—	.625	19
JV1060	4.918	4.687	5.009	—	.906	1	JV1128	3.875	3.869	4.000	—	.625	19
J1063	1.875	1.870	2.000	—	.562	19	JX1128	3.875	3.869	4.000	—	.625	19
J1064	—	2.250	2.404	3.073	.770	#	J1129	4.000	3.989	4.125	—	.625	19
J1065	2.097	2.093	2.187	2.725	.770	8	JV1129	4.000	3.994	4.125	—	.625	19
JV1074	3.874	3.868	4.035	—	.831	19	J1130	4.125	4.119	4.250	—	.625	19
JV1076	2.809	2.804	2.894	3.250	.500	8	JV1130	4.125	4.119	4.250	—	.625	19
JV1077	—	4.500	5.130	—	.600	1	J1131	4.250	4.244	4.375	—	.750	19
J1081	5.375	5.368	5.500	—	.750	19	JV1131	4.250	4.244	4.375	—	.750	19
J1082	3.125	3.119	3.225	—	.625	19	JX1131	4.250	4.244	4.375	—	.750	19
J1084	3.250	3.244	3.353	—	.625	19	J1132	4.375	4.369	4.500	—	.750	19
J1086	2.641	2.562	2.755	—	.690	1	JV1132	4.375	4.369	4.500	—	.750	19
J1087	8.525	8.517	8.625	10.550	1.105	8	JX1132	4.375	4.369	4.500	—	.750	19
JV1091	3.419	3.414	3.510	—	.531	1	J1133	4.500	4.493	4.625	—	.750	19
J1094	1.852	1.847	1.947	—	.647	19	JV1133	4.500	4.493	4.625	—	.750	19
*JV1099	2.906	2.900	3.000	3.125	.562	#	J1134	4.625	4.618	4.750	—	.750	19
J1101	1.500	1.495	1.625	—	.625	19	JV1134	4.625	4.618	4.750	—	.750	19
JV1101	1.500	1.495	1.625	—	.625	19	J1135	4.750	4.743	4.875	—	.750	19
J1102	1.562	1.557	1.687	—	.625	19	JV1135	4.750	4.743	4.875	—	.750	19
JV1102	1.562	1.557	1.687	—	.625	19	J1136	4.875	4.868	5.000	—	.750	19
J1103	1.625	1.620	1.750	—	.625	19	JV1136	4.875	4.868	5.000	—	.750	19
JV1103	1.625	1.620	1.750	—	.625	19	JX1136	4.875	4.868	5.000	—	.750	19
J1105	1.750	1.745	1.875	—	.625	19	J1137	5.000	4.993	5.125	—	.750	19
JV1105	1.750	1.745	1.875	—	.625	19	JV1137	5.000	4.993	5.125	—	.750	19
JX1105	1.750	1.745	1.875	—	.625	19	JX1137	5.000	4.993	5.125	—	.750	19

For Illustration and Material Data See Technical Section

Designed For A Specific Application - Not Recommended For General Use ++ Not Sold Separately

Numerical Section—Wear Sleeves

Part No.	Shaft	I.D.	Eff. Shaft Dia.	Flanged O.D.	Width	Type/ Illus.	Part No.	Shaft	I.D.	Eff. Shaft Dia.	Flanged O.D.	Width	Type/ Illus.
J1138	5.250	5.243	5.375	—	.750	19	JV1410	1.365	1.360	1.496	—	.625	19
JV1138	5.250	5.243	5.375	—	.750	19	J1425	4.346	4.340	4.906	5.625	.563	#
J1139	5.500	5.493	5.625	—	.750	19	J1427	2.812	2.807	2.943	3.156	1.000	10
JV1139	5.500	5.493	5.625	—	.750	19	JV1427	2.812	2.807	2.937	3.156	1.000	10
J1140	5.750	5.743	5.875	—	.750	19	J1432	1.125	1.120	1.250	—	.625	19
JV1140	5.750	5.743	5.875	—	.750	19	JV1432	1.125	1.120	1.250	—	.625	19
J1141	6.000	5.993	6.125	—	.750	19	JV1455	2.437	2.432	2.562	2.750	.750	10
JV1141	6.000	5.993	6.125	—	.750	19	JV1456	2.125	2.120	2.250	2.437	.750	10
JX1141	6.000	5.993	6.125	6.125	.750	19	JV1461	4.000	3.994	4.125	4.312	.718	10
J1151	4.541	4.535	4.625	—	.468	1	JV1462	4.750	4.743	4.853	5.187	.812	10
JV1152	3.721	3.715	3.805	4.200	.458	19	JV1463	5.500	5.493	5.625	5.812	.875	10
J1155	4.625	4.618	4.739	—	.340	19	JV1464	1.812	1.807	1.937	2.125	.718	10
JV1157	—	2.140	2.331	2.625	.625	—	J1469	3.562	3.556	3.666	3.825	.718	10
J1158	1.125	1.120	1.250	—	.500	19	JV1469	3.562	3.556	3.687	3.825	.718	10
JX1158	1.125	1.120	1.250	—	.500	19	JV1473	4.062	4.056	4.187	4.375	.875	10
J1159	—	4.937	5.128	5.875	.838	8	JV1474	6.875	6.867	7.000	7.187	1.000	10
JV1161	2.567	2.562	3.115	—	.625	#	J1493	1.468	1.463	1.625	—	.625	19
JV1166	3.686	3.680	3.767	—	.625	1	JV1493	1.468	1.463	1.625	—	.625	19
J1172	4.275	4.187	4.375	5.125	.898	8	JV1494	3.500	3.494	3.625	3.937	.718	10
JV1172	4.275	4.187	4.375	5.125	.898	8	JV1500	1.625	1.620	1.755	—	.625	19
J1173	2.890	2.885	3.000	—	1.000	19	JX1505	1.625	1.620	1.750	—	.535	19
JV1173	2.890	2.885	3.000	—	1.000	19	JV1508	3.125	3.118	3.261	3.562	.920	10
JV1179	3.475	3.375	3.573	—	.800	1	JV1509	3.437	3.430	3.566	3.875	.875	10
JV1190	7.375	7.367	7.500	—	.875	19	JV1511	3.937	3.930	4.070	4.375	.875	10
JX1190	7.375	7.367	7.500	—	.875	19	JV1511A	3.930	3.925	4.375	—	.875	#
J1191	3.035	3.030	3.125	3.750	1.070	8	JV1512	4.375	4.368	4.500	4.812	.843	10
J1196	—	8.125	8.250	9.500	.875	8	JV1513	4.500	4.493	4.625	4.937	.912	10
J1197	4.500	4.494	5.500	—	.875	#	J1515	2.750	2.745	2.875	—	.625	19
JV1210	4.260	4.256	4.387	4.625	.656	10	JV1517	3.678	3.670	3.755	—	.625	1
J1211	1.731	1.726	1.812	3.000	1.000	#	JV1550	5.795	5.785	5.880	—	1.000	1
JV1215	2.728	2.722	2.806	—	.590	1	JX1576	2.750	2.745	2.875	—	.750	19
JV1216	2.698	2.690	2.774	—	.953	#	JV1582	3.678	3.670	3.758	—	.625	1
J1235	2.075	2.070	2.125	2.375	.448	10	J1594	.750	.745	.875	—	.500	19
JV1236	3.266	3.260	3.313	—	.453	1	JV1594	.750	.745	.875	—	.500	19
J1238	4.500	4.493	4.625	—	.625	19	J1606	4.875	4.868	5.000	—	.715	19
JX1238	4.500	4.493	4.625	—	.625	19	J1629	—	8.125	8.250	9.375	1.085	#
J1245	5.900	5.890	6.000	7.125	1.035	8	JV1669	7.875	7.867	8.011	—	.750	19
J1246	1.041	1.036	1.125	—	.625	19	JV1673	—	2.799	2.911	3.125	.640	#
JV1246	1.041	1.036	1.125	—	.625	19	JV1704	5.392	5.385	5.500	—	.625	19
JV1252	1.251	1.246	1.375	—	.500	19	J1718	3.375	3.369	3.500	—	1.125	19
JX1252	1.251	1.246	1.375	—	.500	19	JX1747	3.000	2.994	3.125	—	.687	19
J1267	.875	.869	.999	—	.562	19	J1750	3.742	3.732	3.821	—	.500	#
JV1267	.875	.869	.999	—	.562	19	JV1759	7.625	7.617	7.750	—	1.125	19
JV1277	1.375	1.370	1.500	—	.625	19	JV1760	7.750	7.742	7.875	—	1.000	19
J1278	6.875	6.867	7.000	—	.750	19	J1780	2.502	2.498	2.627	—	1.000	19
JV1278	6.875	6.867	7.000	—	.750	19	JV1802	2.375	2.370	2.500	—	1.000	19
J1284	4.535	4.530	4.625	—	.670	#	J1807	1.500	1.495	1.625	—	.415	19
J1288	2.500	2.495	2.625	—	.875	19	JV1808	10.312	10.303	10.479	—	1.125	19
J1289	2.750	2.745	2.875	—	.875	19	J1824	6.081	6.073	6.204	—	1.031	19
J1293	3.500	3.494	3.625	—	.875	19	J1825	6.206	6.198	6.328	—	.812	19
JV1304	2.412	2.400	2.518	—	.435	15	JV1825	6.206	6.198	6.328	—	.812	19
J1355	5.625	5.618	5.750	—	1.000	19	J1828	5.375	5.368	5.500	—	.848	#
JV1355	5.625	5.618	5.750	—	1.000	19	JX1828	5.375	5.368	5.500	—	.848	#
JV1361	3.874	3.868	4.040	4.500	.921	10	JX1831	5.000	4.993	5.125	—	.875	19
JV1362	3.936	3.930	4.042	4.375	.859	#	JV1836	2.236	2.231	2.375	—	.625	19
JV1363	4.500	4.493	4.625	—	.687	19	JV1837	1.980	1.975	2.111	—	.625	19
JX1363	4.500	4.493	4.625	—	.687	19	J1838	6.187	6.180	6.312	—	.848	#
JV1368	3.625	3.619	3.750	—	.625	19	J1842	6.081	6.073	6.204	—	.750	19
JV1371	2.906	2.900	3.000	3.125	.562	#	JV1850	8.125	8.117	8.250	—	1.470	19
JV1373	2.636	2.630	2.722	—	.500	1	JX1867	4.687	4.680	4.812	—	1.240	19
JV1378	—	7.500	7.881	8.562	.781	#	J1869	6.375	6.368	6.500	—	.875	19
J1380	4.090	4.083	—	5.125	.235	#	JV1869	6.375	6.368	6.500	—	.875	19
JX1386	4.646	4.639	4.742	—	.625	19	JV1872	1.062	1.057	1.187	1.437	.640	10
J1396	2.000	1.995	2.125	—	.750	19	JV1873	1.250	1.245	1.375	1.562	.750	10
J1397	1.625	1.620	1.750	—	.750	19	JV1874	3.625	3.619	3.750	4.000	.875	10
J1401	3.125	3.119	3.250	—	.750	19	JV1875	3.250	3.244	3.375	3.625	.750	10
JX1401	3.125	3.119	3.250	—	.750	19	J1876	2.475	2.470	2.625	—	1.125	19
JV1403	1.875	1.870	2.000	—	.625	19	J1880	4.502	4.496	4.627	—	1.000	19
J1405	4.465	4.459	4.575	5.125	.230	14	J1895	6.080	6.073	6.204	—	.600	19
JV1409	1.343	1.338	1.500	—	.625	19	JV1897	—	3.750	3.942	4.250	.500	#

NUMERICAL SECTION

For Illustration and Material Data See Technical Section

Designed For A Specific Application - Not Recommended For General Use

Part No.	Shaft	I.D.	Eff. Shaft Dia.	Flanged O.D.	Width	Type/ Illus.	Part No.	Shaft	I.D.	Eff. Shaft Dia.	Flanged O.D.	Width	Type/ Illus.
JX1920	2.382	2.377	2.491	—	.937	19							
J1929	4.500	4.493	4.625	—	.625	19							
JV1931	—	—	2.515	2.855	.510	#							
JV1935	4.474	4.468	4.604	—	.530	19							
JV1936	3.668	3.662	3.798	—	.530	#							
JV1944	5.400	5.393	5.442	—	.760	1							
*JX1967	4.840	4.834	5.000	—	.750	19							
JV1976	—	4.000	4.630	—	.700	1							
JV1977	—	4.500	5.130	—	.700	1							
JV1978	5.625	5.618	5.754	—	1.250	19							
J1984	9.058	9.048	9.173	—	1.000	19							
JX1990	2.375	2.370	2.500	—	1.000	19							
JV1999	4.875	4.868	5.000	—	1.250	19							
JV2019	2.126	2.121	2.200	2.953	.302	#							
J2037	5.187	5.180	5.312	—	.750	19							
JV2038	4.875	4.868	5.000	—	1.000	19							
JX2045	4.212	4.207	4.325	—	.984	19							
J2053	6.079	6.073	6.204	—	.866	19							
JV2088	5.991	5.986	6.100	—	.455	#							
JX2162	4.834	4.829	4.994	—	.710	#							
JF2280	5.187	5.179	5.312	—	1.380	19							
JF2282	4.687	4.679	4.812	—	1.240	19							
*JG2345	6.500	6.492	6.625	—	.875	19							
*JG2361	6.500	6.492	6.625	—	.750	19							
*JL2361	6.500	6.492	6.625	—	.625	19							
JL2370	5.000	—	5.125	—	.717	19							

For Illustration and Material Data See Technical Section

Designed For A Specific Application - Not Recommended For General Use

Numerical Section—Redi-Sleeves

Part No.	Shaft Range		Width on Shaft	Overall Width	Flanged O.D.	Installation Depth
	Minimum.	Maximum.				
88176	1.761	1.767	.563	.688	2.063	.813
88179	1.778	1.784	.675	.800	2.125	1.000
88186	1.866	1.872	.889	1.025	2.187	1.000
88187	1.872	1.878	.563	.688	2.203	1.000
88199	1.997	2.003	.563	.688	2.406	1.000
88218	2.186	2.192	.781	.938	2.500	1.313
88225	2.249	2.255	.781	.938	2.531	1.313
88233	2.327	2.333	.750	.875	2.750	1.610
99049	.469	.475	.236	.331	.787	.472
99050	.498	.502	.250	.344	.610	2.008
99056	.560	.566	.250	.391	.750	1.831
99058	.626	.630	.313	.438	.718	2.000
99059	.589	.593	.197	.354	.750	.425
99060	.682	.686	.313	.438	.900	2.000
99062	.623	.627	.313	.406	.813	2.000
99068	.667	.671	.315	.433	1.063	2.008
99075	.748	.752	.375	.500	.900	2.000
99076	.748	.752	.313	.438	.938	2.000
99078	.785	.789	.313	.433	.999	2.000
99080	.780	.784	.313	.438	.935	2.000
99081	.759	.761	.313	.438	.938	2.000
99082	.704	.709	.315	.433	1.063	1.811
99085	.861	.866	.315	.472	1.058	1.813
99086	.857	.861	.250	.375	1.155	2.000
99087	.873	.877	.313	.438	1.093	2.000
99091	.908	.912	.313	.438	1.218	1.847
99094	.966	.970	.313	.438	1.130	2.000
99096	.966	.970	.625	.719	1.130	2.000
99098	.982	.986	.313	.433	1.378	2.000
99101	.998	1.002	.313	.438	1.219	2.000
99103	1.019	1.024	.313	.472	1.312	1.813
99106	1.060	1.064	.313	.438	1.320	2.812
99108	1.087	1.091	.313	.438	1.406	.625
99111	1.100	1.104	.375	.500	1.375	2.813
99112	1.123	1.127	.313	.438	1.575	.688
99114	1.179	1.184	.315	.433	1.400	.688
99118	1.185	1.190	.313	.438	1.400	.875
99120	1.154	1.158	.375	.500	1.350	.688
99122	1.173	1.178	.313	.438	1.575	.688
99123	1.216	1.222	.315	.438	1.575	.688
99125	1.247	1.253	.313	.438	1.500	.688
99128	1.257	1.263	.315	.437	1.496	.709
99129	1.308	1.314	.250	.375	1.600	.813
99131	1.310	1.316	.500	.625	1.594	.813
99133	1.371	1.377	.313	.438	1.638	.813
99134	1.336	1.342	.500	.625	1.638	.813
99138	1.371	1.377	.500	.625	1.638	.813
99139	1.375	1.381	.512	.630	1.638	.812
99141	1.237	1.243	.315	.438	1.540	.688
99143	1.432	1.438	.563	.688	1.781	1.000
99144	1.435	1.441	.375	.500	1.781	1.016
99145	1.453	1.460	.375	.500	1.781	.812
99146	1.412	1.417	.518	.669	1.689	.984
99147	1.490	1.496	.512	.669	1.780	.984
99149	1.497	1.503	.563	.688	1.781	1.000
99150	1.497	1.503	.375	.500	1.781	1.016
99152	1.520	1.526	.438	.563	1.859	1.016
99155	1.549	1.555	.438	.563	1.859	1.000
99156	1.559	1.565	.563	.688	1.859	1.000
99157	1.572	1.578	.512	.630	1.850	1.023
99160	1.602	1.608	.500	.641	1.938	1.000
99161	1.622	1.628	.313	.438	1.875	1.016
99162	1.623	1.628	.563	.688	1.875	.813
99166	1.647	1.654	.445	.571	2.087	.827
99167	1.685	1.691	.313	.438	1.906	.875
99168	1.684	1.690	.563	.688	1.906	.875
99169	1.647	1.654	.563	.688	2.087	.827
99170	1.736	1.742	.375	.500	2.063	.813
99171	1.715	1.721	.563	.688	2.031	.813
99172	1.747	1.753	.375	.500	2.055	.813

NUMERICAL SECTION

Part No.	Shaft Range		Width on Shaft	Overall Width	Flanged O.D.	Installation Depth
	Minimum.	Maximum.				
99174	1.747	1.753	.563	.688	2.063	.813
99175	1.747	1.753	.750	.875	2.063	.813
99176	1.761	1.767	.563	.688	2.063	.813
99177	1.769	1.775	.551	.669	2.087	.812
99179	1.778	1.784	.675	.800	2.125	1.062
99180	1.747	1.753	.531	.625	2.063	.875
99181	1.809	1.815	.563	.688	2.156	1.000
99184	1.872	1.878	.375	.516	2.203	1.050
99185	1.857	1.863	.563	.688	2.156	1.000
99186	1.866	1.872	.889	1.025	2.187	1.000
99187	1.872	1.878	.563	.688	2.203	1.000
99188	1.872	1.878	.295	.415	2.203	.744
99189	1.887	1.893	.551	.668	2.205	.984
99190	1.872	1.878	.175	.295	2.203	.744
99192	1.909	1.915	.375	.500	2.219	1.000
99193	1.934	1.940	.563	.688	2.219	1.000
99196	1.965	1.971	.551	.688	2.244	.984
99198	1.977	1.983	.563	.704	2.313	1.050
99199	1.997	2.003	.563	.688	2.406	1.000
99200	1.997	2.003	.875	1.000	2.406	1.000
99204	2.041	2.047	.500	.625	2.469	1.000
99205	2.057	2.063	.781	.938	2.469	1.375
99210	2.123	2.128	.500	.750	2.422	1.281
99212	2.124	2.130	.781	.938	2.422	1.375
99215	2.162	2.168	.787	.905	2.441	1.250
99218	2.186	2.192	.781	.938	2.500	1.313
99220	2.197	2.205	.500	.625	2.500	1.250
99225	2.249	2.255	.781	.938	2.531	1.313
99226	2.237	2.243	.764	.900	2.562	1.250
99227	2.249	2.255	.313	.438	2.531	1.313
99229	2.227	2.233	.500	.625	2.531	1.313
99230	2.227	2.233	.781	.906	2.531	1.250
99231	2.309	2.315	.781	.938	2.688	1.600
99233	2.327	2.333	.750	.875	2.750	1.610
99235	2.359	2.365	.787	.905	2.785	1.375
99236	2.369	2.375	.781	.938	2.750	1.375
99237	2.374	2.380	.781	.938	2.734	1.375
99238	2.372	2.378	.594	.750	2.750	1.375
99240	2.374	2.380	.526	.683	2.750	1.375
99241	2.359	2.365	.370	.449	2.783	1.472
99242	2.435	2.441	.500	.626	2.827	1.417
99243	2.434	2.440	.781	.938	2.828	1.375
99248	2.500	2.506	.500	.656	2.828	1.375
99249	2.489	2.495	.781	.938	2.875	1.393
99250	2.500	2.506	.781	.938	2.828	1.375
99251	2.510	2.516	.781	.906	2.828	1.438
99253	2.497	2.503	.555	.650	2.820	.890
99254	2.556	2.562	.787	.905	2.850	1.378
99256	2.560	2.566	.781	.938	2.891	1.375
99259	2.595	2.602	.781	.938	2.990	1.250
99260	2.622	2.628	.500	.625	3.047	1.375
99261	2.618	2.624	.781	.938	3.047	1.375
99262	2.625	2.631	.781	.938	3.047	1.375
99264	2.621	2.627	.781	.906	3.047	1.375
99267	2.747	2.753	1.438	1.625	3.075	1.625
99268	2.727	2.733	.781	.906	3.125	1.313
99269	2.750	2.756	1.125	1.250	3.125	1.250
99270	2.747	2.753	.781	.906	3.125	1.250
99272	2.750	2.756	.406	.563	3.125	1.250
99273	2.740	2.746	.781	.938	3.065	1.250
99274	2.745	2.751	.781	.938	3.125	1.250
99275	2.750	2.756	.781	.938	3.125	1.250
99276	2.753	2.759	.787	.945	3.125	1.250
99281	2.809	2.815	.594	.688	3.188	1.250
99282	2.838	2.844	.500	.656	3.225	1.250
99286	2.866	2.872	.781	.938	3.188	1.250
99287	2.873	2.879	.781	.938	3.219	1.250
99289	2.950	2.956	.594	.689	3.272	1.102
99290	2.937	2.943	.500	.641	3.344	1.331
99291	2.990	2.996	.484	.625	3.359	1.331

Numerical Section—Redi-Sleeves

Part No.	Shaft Range		Width on Shaft	Overall Width	Flanged O.D.	Installation Depth
	Minimum.	Maximum.				
99292	2.972	2.976	.813	—	—	—
99293	2.937	2.943	.781	.938	3.344	1.250
99294	2.950	2.956	.866	1.024	3.305	1.312
99296	2.997	3.003	.813	.938	3.240	1.375
99298	2.990	2.996	.563	.688	3.359	1.375
99299	2.990	2.996	.813	1.000	3.359	1.250
99300	3.000	3.006	.813	1.000	3.453	1.250
99301	3.008	3.014	.500	.625	3.355	2.000
99303	3.000	3.006	.625	.813	3.345	1.063
99307	3.124	3.132	.551	.709	3.525	2.031
99311	3.120	3.126	.688	.813	3.531	2.000
99312	3.120	3.126	.813	1.000	3.531	2.000
99313	3.142	3.150	.750	.886	3.540	1.375
99315	3.146	3.153	.827	.945	3.543	1.375
99317	3.146	3.153	.433	.590	3.543	1.378
99322	3.247	3.253	.813	1.000	3.594	1.375
99323	3.248	3.254	.600	.725	3.585	1.375
99324	3.250	3.256	.595	.719	3.594	1.375
99325	3.250	3.256	.813	1.000	3.594	1.375
99326	3.250	3.256	.688	.875	3.585	1.250
99328	3.225	3.231	.661	.850	3.587	1.732
99331	3.307	3.313	.813	1.000	3.688	1.375
99333	3.337	3.346	.827	.984	3.700	1.378
99334	3.338	3.346	.827	.984	3.697	1.433
99337	3.373	3.379	.813	1.000	3.688	1.375
99338	3.373	3.379	.375	.500	3.688	1.410
99339	3.435	3.441	.781	.906	3.844	1.406
99340	3.477	3.483	.781	.906	3.835	1.406
99347	3.500	3.506	.315	.500	3.827	1.339
99349	3.501	3.507	.626	.811	3.842	1.339
99350	3.500	3.506	.813	1.000	3.844	1.375
99351	3.540	3.546	.710	.906	4.000	1.813
99353	3.540	3.546	.528	.665	4.000	1.732
99354	3.540	3.546	.906	1.102	4.000	1.750
99356	3.560	3.566	.813	1.000	3.900	1.750
99359	3.685	3.691	.813	.938	4.025	1.750
99360	3.618	3.624	.811	1.000	4.031	1.732
99362	3.623	3.629	.813	1.000	4.031	1.750
99363	3.623	3.629	.500	.625	4.025	1.750
99364	3.740	3.746	.469	.594	4.035	1.750
99365	3.685	3.691	.813	.938	4.025	1.750
99367	3.750	3.756	.344	.500	4.031	1.750
99368	3.684	3.690	.313	.438	3.830	.875
99369	3.737	3.743	.827	.945	4.025	1.750
99372	3.750	3.756	.688	.875	4.031	1.875
99374	3.740	3.746	.344	.500	4.031	1.750
99376	3.746	3.752	.563	.688	4.025	1.750
99387	3.873	3.879	.813	1.000	4.219	1.875
99393	3.935	3.941	.813	1.000	4.313	1.340
99395	3.998	4.006	.600	.725	—	2.050
99399	3.998	4.006	.813	1.000	4.375	1.250
99400	3.998	4.006	.650	.775	4.375	1.375
99401	3.998	4.006	.500	.625	4.375	2.066
99412	4.122	4.130	.813	1.000	4.420	1.375
99413	4.130	4.138	.787	.906	4.470	1.378
99418	4.183	4.191	.813	1.000	4.500	1.375
99423	4.226	4.234	.781	.906	4.610	1.438
99424	4.248	4.256	.813	1.000	4.813	1.375
99435	4.327	4.335	.509	.650	4.921	1.250
99437	4.370	4.378	.813	1.000	4.750	1.650
99439	4.434	4.442	1.000	1.142	4.813	1.313
99450	4.496	4.504	.813	1.000	5.000	1.375
99452	4.523	4.531	.813	.938	5.000	1.250
99463	4.621	4.629	1.000	1.250	5.063	1.375
99465	4.621	4.629	.438	.625	5.000	1.375
99468	4.685	4.693	.812	1.000	5.062	1.375
99472	4.801	4.807	.787	.945	5.177	1.260
99473	4.720	4.728	.787	.984	5.110	1.260
99475	4.746	4.754	.500	.750	5.250	1.500
99487	4.871	4.879	.625	.752	5.252	1.457

NUMERICAL SECTION

Part No.	Shaft Range		Width on Shaft	Overall Width	Flanged O.D.	Installation Depth
	Minimum.	Maximum.				
99490	4.917	4.925	.394	.551	5.402	1.457
99491	5.117	5.125	.866	.996	5.492	1.299
99492	4.917	4.925	1.024	1.260	5.400	1.438
99494	5.110	5.118	.750	.938	5.493	1.181
99498	4.998	5.006	.688	.875	5.400	1.438
99499	4.998	5.006	.813	1.000	5.406	1.500
99525	5.246	5.254	.813	1.000	5.560	1.250
99537	5.371	5.379	.813	1.000	5.875	1.250
99549	5.498	5.506	.812	1.000	5.938	1.250
99552	5.508	5.516	.807	1.000	5.945	1.250
99575	5.746	5.754	.813	1.000	6.180	1.750
99587	5.871	5.879	1.000	1.250	6.188	1.313
99595	5.895	5.905	1.024	1.181	6.260	1.338
99596	5.934	5.942	1.000	1.125	6.375	1.875
99599	5.995	6.003	1.000	1.250	6.375	1.750
99601	5.995	6.003	.500	.750	6.360	1.750
99606	6.092	6.102	1.024	1.181	6.500	1.299
99625	6.245	6.255	1.031	1.250	6.625	1.750
99630	6.289	6.299	1.000	1.250	7.000	1.800
99640	6.683	6.693	1.250	1.496	7.188	1.750
99650	6.495	6.505	1.000	1.250	7.000	1.750
99675	6.745	6.755	.813	1.063	7.125	1.750
99700	6.995	7.005	1.000	1.250	7.500	1.750
99721	7.077	7.087	1.300	1.496	7.500	1.752
99725	7.244	7.254	1.250	1.500	7.760	2.175
99750	7.495	7.505	.813	1.000	7.875	1.250
99775	7.745	7.755	1.000	1.313	8.270	1.875
99787	7.869	7.879	1.359	1.500	8.375	1.750
99799	7.933	7.943	1.000	1.250	8.375	1.750
99800	7.995	8.005	1.000	1.250	8.375	1.750

V-Seals

Part No.	Mat'l Code	Style	Shaft Size Metric (d1)	Shaft Size Inch Min. (d1)	Shaft Size Inch Max. (d1)	Width On Shaft (A)	Overall Width (B)	Height (c)	Fitted Width (B1)	Width Tolerance (+/-)
800030	S	VRS1	3	0.11	0.14	0.08	0.12	0.06	0.10	0.012
800034	V	VRS1	3	0.11	0.14	0.08	0.12	0.06	0.10	0.012
800040	S	VRS1	4	0.14	0.18	0.09	0.15	0.08	0.12	0.016
800044	V	VRS1	4	0.14	0.18	0.09	0.15	0.08	0.12	0.016
800050	S	VRS1	5	0.18	0.21	0.09	0.15	0.08	0.12	0.016
800051	S	VRS2	5	0.18	0.21	0.15	0.21	0.08	0.18	0.016
800054	V	VRS1	5	0.18	0.21	0.09	0.15	0.08	0.12	0.016
800055	V	VRS2	5	0.18	0.21	0.15	0.21	0.08	0.18	0.016
800060	S	VRS1	6	0.21	0.26	0.09	0.15	0.08	0.12	0.016
800061	S	VRS2	6	0.21	0.26	0.15	0.21	0.08	0.18	0.016
800064	V	VRS1	6	0.21	0.26	0.09	0.15	0.08	0.12	0.016
800065	V	VRS2	6	0.21	0.26	0.15	0.21	0.08	0.18	0.016
800070	S	VRS1	7	0.26	0.31	0.09	0.15	0.08	0.12	0.016
800071	S	VRS2	7	0.26	0.31	0.15	0.21	0.08	0.18	0.016
800074	V	VRS1	7	0.26	0.31	0.09	0.15	0.08	0.12	0.016
800075	V	VRS2	7	0.26	0.31	0.15	0.21	0.08	0.18	0.016
800080	S	VRS1	8	0.31	0.37	0.09	0.15	0.08	0.12	0.016
800081	S	VRS2	8	0.31	0.37	0.15	0.21	0.08	0.18	0.016
800084	V	VRS1	8	0.31	0.37	0.09	0.15	0.08	0.12	0.016
800085	V	VRS2	8	0.31	0.37	0.15	0.21	0.08	0.18	0.016
800100	S	VRS1	10	0.37	0.45	0.13	0.22	0.12	0.18	0.020
800101	S	VRS2	10	0.37	0.45	0.22	0.30	0.12	0.26	0.020
800104	V	VRS1	10	0.37	0.45	0.13	0.22	0.12	0.18	0.020
800105	V	VRS2	10	0.37	0.45	0.22	0.30	0.12	0.26	0.020
800120	S	VRS1	12	0.45	0.49	0.13	0.22	0.12	0.18	0.020
800121	S	VRS2	12	0.45	0.49	0.22	0.30	0.12	0.26	0.020
800124	V	VRS1	12	0.45	0.49	0.13	0.22	0.12	0.18	0.020
800125	V	VRS2	12	0.45	0.49	0.22	0.30	0.12	0.26	0.020
800130	S	VRS1	13	0.49	0.53	0.13	0.22	0.12	0.18	0.020
800134	V	VRS1	13	0.49	0.53	0.13	0.22	0.12	0.18	0.020
800140	S	VRS1	14	0.53	0.61	0.13	0.22	0.12	0.18	0.020
800141	S	VRS2	14	0.53	0.61	0.22	0.30	0.12	0.26	0.020
800144	V	VRS1	14	0.53	0.61	0.13	0.22	0.12	0.18	0.020
800145	V	VRS2	14	0.53	0.61	0.22	0.30	0.12	0.26	0.020
800160	S	VRS1	16	0.61	0.69	0.13	0.22	0.12	0.18	0.020
800161	S	VRS2	16	0.61	0.69	0.22	0.30	0.12	0.26	0.020
800164	V	VRS1	16	0.61	0.69	0.13	0.22	0.12	0.18	0.020
800165	V	VRS2	16	0.61	0.69	0.22	0.30	0.12	0.26	0.020
800180	S	VRS1	18	0.69	0.75	0.13	0.22	0.12	0.18	0.020
800181	S	VRS2	18	0.69	0.75	0.22	0.30	0.12	0.26	0.020
800184	V	VRS1	18	0.69	0.75	0.13	0.22	0.12	0.18	0.020
800185	V	VRS2	18	0.69	0.75	0.22	0.30	0.12	0.26	0.020
800200	S	VRS1	20	0.75	0.83	0.18	0.30	0.16	0.24	0.030
800201	S	VRS2	20	0.75	0.83	0.31	0.41	0.16	0.35	0.030
800204	V	VRS1	20	0.75	0.83	0.18	0.30	0.16	0.24	0.030
800205	V	VRS2	20	0.75	0.83	0.31	0.41	0.16	0.35	0.030
800220	S	VRS1	22	0.83	0.95	0.18	0.30	0.16	0.24	0.030
800221	S	VRS2	22	0.83	0.95	0.31	0.41	0.16	0.35	0.030
800224	V	VRS1	22	0.83	0.95	0.18	0.30	0.16	0.24	0.030
800225	V	VRS2	22	0.83	0.95	0.31	0.41	0.16	0.35	0.030
800250	S	VRS1	25	0.95	1.07	0.18	0.30	0.16	0.24	0.030
800251	S	VRS2	25	0.95	1.07	0.31	0.41	0.16	0.35	0.030
800254	V	VRS1	25	0.95	1.07	0.18	0.30	0.16	0.24	0.030
800255	V	VRS2	25	0.95	1.07	0.31	0.41	0.16	0.35	0.030
800280	S	VRS1	28	1.07	1.14	0.18	0.30	0.16	0.24	0.030
800281	S	VRS2	28	1.07	1.14	0.31	0.41	0.16	0.35	0.030
800284	V	VRS1	28	1.07	1.14	0.18	0.30	0.16	0.24	0.030
800285	V	VRS2	28	1.07	1.14	0.31	0.41	0.16	0.35	0.030
800300	S	VRS1	30	1.14	1.22	0.18	0.30	0.16	0.24	0.030
800301	S	VRS2	30	1.14	1.22	0.31	0.41	0.16	0.35	0.030
800304	V	VRS1	30	1.14	1.22	0.18	0.30	0.16	0.24	0.030
800305	V	VRS2	30	1.14	1.22	0.31	0.41	0.16	0.35	0.030
800320	S	VRS1	32	1.22	1.30	0.18	0.30	0.16	0.24	0.030
800321	S	VRS2	32	1.22	1.30	0.31	0.41	0.16	0.35	0.030
800324	V	VRS1	32	1.22	1.30	0.18	0.30	0.16	0.24	0.030
800325	V	VRS2	32	1.22	1.30	0.31	0.41	0.16	0.35	0.030
800350	S	VRS1	35	1.30	1.42	0.18	0.30	0.16	0.24	0.030
800351	S	VRS2	35	1.30	1.42	0.31	0.41	0.16	0.35	0.030
800354	V	VRS1	35	1.30	1.42	0.18	0.30	0.16	0.24	0.030
800355	V	VRS2	36	1.30	1.42	0.31	0.41	0.16	0.35	0.030
800380	S	VRS1	38	1.42	1.50	0.18	0.30	0.16	0.24	0.030
800381	S	VRS2	38	1.42	1.50	0.31	0.41	0.16	0.35	0.030
800384	V	VRS1	38	1.42	1.50	0.18	0.30	0.16	0.24	0.030
800385	V	VRS2	38	1.42	1.50	0.31	0.41	0.16	0.35	0.030
800400	S	VRS1	40	1.50	1.70	0.21	0.35	0.20	0.28	0.040
800401	S	VRS2	40	1.50	1.70	0.37	0.51	0.20	0.43	0.040

NUMERICAL SECTION

Select the larger V-Seal when the dimension d1 is on the boundary between two sizes. All dimensions in inches unless noted.

Part No.	Mat'l Code	Style	Shaft Size Metric (d1)	Shaft Size Inch Min. (d1)	Shaft Size Inch Max. (d1)	Width On Shaft (A)	Overall Width (B)	Height (c)	Fitted Width (B1)	Width Tolerance (+/-)
800404	V	VRS1	40	1.50	1.70	0.21	0.35	0.20	0.28	0.040
800405	V	VRS2	40	1.50	1.70	0.37	0.51	0.20	0.43	0.040
800450	S	VRS1	45	1.70	1.89	0.21	0.35	0.20	0.28	0.040
800451	S	VRS2	45	1.70	1.89	0.37	0.51	0.20	0.43	0.040
800454	V	VRS1	45	1.70	1.89	0.21	0.35	0.20	0.28	0.040
800455	V	VRS2	45	1.70	1.89	0.37	0.51	0.20	0.43	0.040
800500	S	VRS1	50	1.89	2.09	0.21	0.35	0.20	0.28	0.040
800501	S	VRS2	50	1.89	2.09	0.37	0.51	0.20	0.43	0.040
800504	V	VRS1	50	1.89	2.09	0.21	0.35	0.20	0.28	0.040
800505	V	VRS2	50	1.89	2.09	0.37	0.51	0.20	0.43	0.040
800550	S	VRS1	55	2.09	2.29	0.21	0.35	0.20	0.28	0.040
800551	S	VRS2	55	2.09	2.29	0.37	0.51	0.20	0.43	0.040
800554	V	VRS1	55	2.09	2.29	0.21	0.35	0.20	0.28	0.040
800555	V	VRS2	55	2.09	2.29	0.37	0.51	0.20	0.43	0.040
800600	S	VRS1	60	2.29	2.48	0.21	0.35	0.20	0.28	0.040
800601	S	VRS2	60	2.29	2.48	0.37	0.51	0.20	0.43	0.040
800604	V	VRS1	60	2.29	2.48	0.21	0.35	0.20	0.28	0.040
800605	V	VRS2	60	2.29	2.48	0.37	0.51	0.20	0.43	0.040
800650	S	VRS1	65	2.48	2.68	0.21	0.35	0.20	0.28	0.040
800651	S	VRS2	65	2.48	2.68	0.37	0.51	0.20	0.43	0.040
800654	V	VRS1	65	2.48	2.68	0.21	0.35	0.20	0.28	0.040
800655	V	VRS2	65	2.48	2.68	0.37	0.51	0.20	0.43	0.040
800700	S	VRS1	70	2.68	2.88	0.26	0.43	0.24	0.35	0.050
800701	S	VRS2	70	2.68	2.88	0.44	0.61	0.24	0.53	0.050
800704	V	VRS1	70	2.68	2.88	0.26	0.43	0.24	0.35	0.050
800705	V	VRS2	70	2.68	2.88	0.44	0.61	0.24	0.53	0.050
800750	S	VRS1	75	2.88	3.07	0.26	0.43	0.24	0.35	0.050
800751	S	VRS2	75	2.88	3.07	0.44	0.61	0.24	0.53	0.050
800754	V	VRS1	75	2.88	3.07	0.26	0.43	0.24	0.35	0.050
800755	V	VRS2	75	2.88	3.07	0.44	0.61	0.24	0.53	0.050
800800	S	VRS1	80	3.07	3.27	0.26	0.43	0.24	0.35	0.050
800801	S	VRS2	80	3.07	3.27	0.44	0.61	0.24	0.53	0.050
800804	V	VRS1	80	3.07	3.27	0.26	0.43	0.24	0.35	0.050
800805	V	VRS2	80	3.07	3.27	0.44	0.61	0.24	0.53	0.050
800850	S	VRS1	85	3.27	3.47	0.26	0.43	0.24	0.35	0.050
800851	S	VRS2	85	3.27	3.47	0.44	0.61	0.24	0.53	0.050
800854	V	VRS1	85	3.27	3.47	0.26	0.43	0.24	0.35	0.050
800855	V	VRS2	85	3.27	3.47	0.44	0.61	0.24	0.53	0.050
800900	S	VRS1	90	3.47	3.66	0.26	0.43	0.24	0.35	0.050
800901	S	VRS2	90	3.47	3.66	0.44	0.61	0.24	0.53	0.050
800904	V	VRS1	90	3.47	3.66	0.26	0.43	0.24	0.35	0.050
800905	V	VRS2	90	3.47	3.66	0.44	0.61	0.24	0.53	0.050
800950	S	VRS1	95	3.66	3.86	0.26	0.43	0.24	0.35	0.050
800951	S	VRS2	95	3.66	3.86	0.44	0.61	0.24	0.53	0.050
800954	V	VRS1	95	3.66	3.86	0.26	0.43	0.24	0.35	0.050
800955	V	VRS2	95	3.66	3.86	0.44	0.61	0.24	0.53	0.050
801000	S	VRS1	100	3.86	4.14	0.26	0.43	0.24	0.35	0.050
801001	S	VRS2	100	3.86	4.14	0.44	0.61	0.24	0.53	0.050
801004	V	VRS1	100	3.86	4.14	0.26	0.43	0.24	0.35	0.050
801005	V	VRS2	100	3.86	4.14	0.44	0.61	0.24	0.53	0.050
801100	S	VRS1	110	4.14	4.53	0.31	0.50	0.28	0.41	0.060
801101	S	VRS2	110	4.14	4.53	0.52	0.71	0.28	0.61	0.060
801104	V	VRS1	110	4.14	4.53	0.31	0.50	0.28	0.41	0.060
801105	V	VRS2	110	4.14	4.53	0.52	0.71	0.28	0.61	0.060
801200	S	VRS1	120	4.53	4.92	0.31	0.50	0.28	0.41	0.060
801201	S	VRS2	120	4.53	4.92	0.52	0.71	0.28	0.61	0.060
801204	V	VRS1	120	4.53	4.92	0.31	0.50	0.28	0.41	0.060
801205	V	VRS2	120	4.53	4.92	0.52	0.71	0.28	0.61	0.060
801300	S	VRS1	130	4.92	5.32	0.31	0.50	0.28	0.41	0.060
801301	S	VRS2	130	4.92	5.32	0.52	0.71	0.28	0.61	0.060
801304	V	VRS1	130	4.92	5.32	0.31	0.50	0.28	0.41	0.060
801305	V	VRS2	130	4.92	5.32	0.52	0.71	0.28	0.61	0.060
801400	S	VRS1	140	5.32	5.71	0.31	0.50	0.28	0.41	0.060
801401	S	VRS2	140	5.32	5.71	0.52	0.71	0.28	0.61	0.060
801402	S	VRS3	140	5.32	5.71	0.24	0.41	0.26	0.31	0.060
801404	V	VRS1	140	5.32	5.71	0.31	0.50	0.28	0.41	0.060
801405	V	VRS2	140	5.32	5.71	0.52	0.71	0.28	0.61	0.060
801406	V	VRS3	140	5.32	5.71	0.24	0.41	0.26	0.31	0.060
801500	S	VRS1	150	5.71	6.10	0.31	0.50	0.28	0.41	0.060
801501	S	VRS2	150	5.71	6.10	0.52	0.71	0.28	0.61	0.060
801502	S	VRS3	150	5.71	6.10	0.24	0.41	0.26	0.31	0.060
801504	V	VRS1	150	5.71	6.10	0.31	0.50	0.28	0.41	0.060
801505	V	VRS2	150	5.71	6.10	0.52	0.71	0.28	0.61	0.060
801506	V	VRS3	150	5.71	6.10	0.24	0.41	0.26	0.31	0.060
801600	S	VRS1	160	6.10	6.50	0.35	0.57	0.32	0.47	0.070
801601	S	VRS2	160	6.10	6.50	0.59	0.81	0.32	0.71	0.070

Select the larger V-Seal when the dimension d1 is on the boundary between two sizes. All dimensions in inches unless noted.

V-Seals

Part No.	Mat'l Code	Style	Shaft Size Metric (d1)	Shaft Size Inch Min. (d1)	Shaft Size Inch Max. (d1)	Width On Shaft (A)	Overall Width (B)	Height (c)	Fitted Width (B1)	Width Tolerance (+/-)
801602	S	VRS3	160	6.10	6.50	0.24	0.41	0.26	0.31	0.060
801604	V	VRS1	160	6.10	6.50	0.35	0.57	0.32	0.47	0.070
801605	V	VRS2	160	6.10	6.50	0.59	0.81	0.32	0.71	0.070
801606	V	VRS3	160	6.10	6.50	0.24	0.41	0.26	0.31	0.060
801700	S	VRS1	170	6.50	6.89	0.35	0.57	0.32	0.47	0.070
801701	S	VRS2	170	6.50	6.89	0.59	0.81	0.32	0.71	0.070
801702	S	VRS3	170	6.50	6.89	0.24	0.41	0.26	0.31	0.060
801704	V	VRS1	170	6.50	6.89	0.35	0.57	0.32	0.47	0.070
801705	V	VRS2	170	6.50	6.89	0.59	0.81	0.32	0.71	0.070
801706	V	VRS3	170	6.50	6.89	0.24	0.41	0.26	0.31	0.060
801800	S	VRS1	180	6.89	7.29	0.35	0.57	0.32	0.47	0.070
801801	S	VRS2	180	6.89	7.29	0.59	0.81	0.32	0.71	0.070
801802	S	VRS3	180	6.89	7.29	0.24	0.41	0.26	0.31	0.060
801804	V	VRS1	180	6.89	7.29	0.35	0.57	0.32	0.47	0.070
801805	V	VRS2	180	6.89	7.29	0.59	0.81	0.32	0.71	0.070
801806	V	VRS3	180	6.89	7.29	0.24	0.41	0.26	0.31	0.060
801900	S	VRS1	190	7.29	7.68	0.35	0.57	0.32	0.47	0.070
801901	S	VRS2	190	7.29	7.68	0.59	0.81	0.32	0.71	0.070
801902	S	VRS3	190	7.29	7.68	0.24	0.41	0.26	0.31	0.060
801904	V	VRS1	190	7.29	7.68	0.35	0.57	0.32	0.47	0.070
801905	V	VRS2	190	7.29	7.68	0.59	0.81	0.32	0.71	0.070
801906	V	VRS3	190	7.29	7.68	0.24	0.41	0.26	0.31	0.060
801990	S	VRS1	199	7.68	8.27	0.35	0.57	0.32	0.47	0.070
801991	S	VRS2	199	7.68	8.27	0.59	0.81	0.32	0.71	0.070
801994	V	VRS1	199	7.68	8.27	0.35	0.57	0.32	0.47	0.070
801995	V	VRS2	199	7.68	8.27	0.59	0.81	0.32	0.71	0.070
802000	S	VRS1	200	7.48	8.27	0.56	0.98	0.59	0.79	0.160
802002	S	VRS3	200	7.48	8.27	0.24	0.41	0.26	0.31	0.060
802004	V	VRS1	200	7.48	8.27	0.56	0.98	0.59	0.79	0.160
802006	V	VRS3	200	7.48	8.27	0.24	0.41	0.26	0.31	0.060
802200	S	VRS1	220	8.27	9.25	0.56	0.98	0.59	0.79	0.160
802202	S	VRS3	220	8.27	9.25	0.24	0.41	0.26	0.31	0.060
802204	V	VRS1	220	8.27	9.25	0.56	0.98	0.59	0.79	0.160
802206	V	VRS3	220	8.27	9.25	0.24	0.41	0.26	0.31	0.060
802500	S	VRS1	250	9.25	10.43	0.56	0.98	0.59	0.79	0.160
802502	S	VRS3	250	9.25	10.43	0.24	0.41	0.26	0.31	0.060
802504	V	VRS1	250	9.25	10.43	0.56	0.98	0.59	0.79	0.160
802506	V	VRS3	250	9.25	10.43	0.24	0.41	0.26	0.31	0.060
802750	S	VRS1	275	10.43	11.42	0.56	0.98	0.59	0.79	0.160
802752	S	VRS3	275	10.43	11.42	0.24	0.41	0.26	0.31	0.060
802754	V	VRS1	275	10.43	11.42	0.56	0.98	0.59	0.79	0.160
802756	V	VRS3	275	10.43	11.42	0.24	0.41	0.26	0.31	0.060
803000	S	VRS1	300	11.42	12.20	0.56	0.98	0.59	0.79	0.160
803002	S	VRS3	300	11.42	12.20	0.24	0.41	0.26	0.31	0.060
803004	V	VRS1	300	11.42	12.20	0.56	0.98	0.59	0.79	0.160
803006	V	VRS3	300	11.42	12.20	0.24	0.41	0.26	0.31	0.060
803250	S	VRS1	325	12.20	13.19	0.56	0.98	0.59	0.79	0.160
803252	S	VRS3	325	12.20	13.19	0.24	0.41	0.26	0.31	0.060
803254	V	VRS1	325	12.20	13.19	0.56	0.98	0.59	0.79	0.160
803256	V	VRS3	325	12.20	13.19	0.24	0.41	0.26	0.31	0.060
803500	S	VRS1	350	13.19	14.37	0.56	0.98	0.59	0.79	0.160
803502	S	VRS3	350	13.19	14.37	0.24	0.41	0.26	0.31	0.060
803504	V	VRS1	350	13.19	14.37	0.56	0.98	0.59	0.79	0.160
803506	V	VRS3	350	13.19	14.37	0.24	0.41	0.26	0.31	0.060
803750	S	VRS1	375	14.37	15.35	0.56	0.98	0.59	0.79	0.160
803752	S	VRS3	375	14.37	15.35	0.24	0.41	0.26	0.31	0.060
803754	V	VRS1	375	14.37	15.35	0.56	0.98	0.59	0.79	0.160
803756	V	VRS3	375	14.37	15.35	0.24	0.41	0.26	0.31	0.060
804000	S	VRS1	400	15.35	16.93	0.56	0.98	0.59	0.79	0.160
804002	S	VRS3	400	15.35	16.93	0.24	0.41	0.26	0.31	0.060
804004	V	VRS1	400	15.35	16.93	0.56	0.98	0.59	0.79	0.160
804006	V	VRS3	400	15.35	16.93	0.24	0.41	0.26	0.31	0.060
804500	S	VRS1	450	16.93	18.90	0.56	0.98	0.59	0.79	0.160
804502	S	VRS3	450	16.93	18.90	0.24	0.41	0.26	0.31	0.060
804503	S	VRS4	450	17.72	17.91	0.56	0.98	0.59	0.79	0.160
804504	V	VRS1	450	16.93	18.90	0.56	0.98	0.59	0.79	0.160
804506	V	VRS3	450	16.93	18.90	0.24	0.41	0.26	0.31	0.060
805000	S	VRS1	500	18.90	20.87	0.56	0.98	0.59	0.79	0.160
805002	S	VRS3	500	18.90	20.87	0.24	0.41	0.26	0.31	0.060
805003	S	VRS4	500	19.69	19.88	0.56	0.98	0.59	0.79	0.160
805004	V	VRS1	500	18.90	20.87	0.56	0.98	0.59	0.79	0.160
805103	S	VRS4	510	20.08	20.28	0.56	0.98	0.59	0.79	0.160
805203	S	VRS4	520	20.47	20.67	0.56	0.98	0.59	0.79	0.160
805303	S	VRS4	530	20.87	21.06	0.56	0.98	0.59	0.79	0.160
805403	S	VRS4	540	21.26	21.46	0.56	0.98	0.59	0.79	0.160
805500	S	VRS1	550	20.87	22.83	0.56	0.98	0.59	0.79	0.160

NUMERICAL SECTION

Select the larger V-Seal when the dimension d1 is on the boundary between two sizes. All dimensions in inches unless noted.

Part No.	Mat'l Code	Style	Shaft Size Metric (d1)	Shaft Size Inch Min. (d1)	Shaft Size Inch Max. (d1)	Width On Shaft (A)	Overall Width (B)	Height (c)	Fitted Width (B1)	Width Tolerance (+/-)
805502	S	VRS3	550	20.87	22.83	0.24	0.41	0.26	0.31	0.060
805503	S	VRS4	550	21.65	21.85	0.56	0.98	0.59	0.79	0.160
805504	V	VRS1	550	20.87	22.83	0.56	0.98	0.59	0.79	0.160
805603	S	VRS4	560	22.05	22.24	0.56	0.98	0.59	0.79	0.160
805703	S	VRS4	570	22.44	22.64	0.56	0.98	0.59	0.79	0.160
805803	S	VRS4	580	22.84	23.03	0.56	0.98	0.59	0.79	0.160
805903	S	VRS4	590	23.23	23.62	0.56	0.98	0.59	0.79	0.160
806000	S	VRS1	600	22.83	24.80	0.56	0.98	0.59	0.79	0.160
806002	S	VRS3	600	22.83	24.80	0.24	0.41	0.26	0.31	0.060
806003	S	VRS4	600	23.62	24.02	0.56	0.98	0.59	0.79	0.160
806004	V	VRS1	600	22.83	24.80	0.56	0.98	0.59	0.79	0.160
806103	S	VRS4	610	24.02	24.41	0.56	0.98	0.59	0.79	0.160
806203	S	VRS4	620	24.41	24.80	0.56	0.98	0.59	0.79	0.160
806303	S	VRS4	630	24.80	25.20	0.56	0.98	0.59	0.79	0.160
806403	S	VRS4	640	25.20	25.59	0.56	0.98	0.59	0.79	0.160
806500	S	VRS1	650	24.80	26.18	0.56	0.98	0.59	0.79	0.160
806503	S	VRS4	650	25.59	25.98	0.56	0.98	0.59	0.79	0.160
806903	S	VRS4	690	27.10	27.50	0.56	0.98	0.59	0.79	0.160
807000	S	VRS1	700	26.18	27.76	0.56	0.98	0.59	0.79	0.160
807003	S	VRS4	700	27.56	27.95	0.56	0.98	0.59	0.79	0.160
807250	S	VRS1	725	27.76	29.33	0.56	0.98	0.59	0.79	0.160
807500	S	VRS1	750	29.33	30.91	0.56	0.98	0.59	0.79	0.160
807503	S	VRS4	750	29.53	29.84	0.56	0.98	0.59	0.79	0.160
807803	S	VRS4	780	30.40	30.80	0.56	0.98	0.59	0.79	0.160
808000	S	VRS1	800	30.91	32.68	0.56	0.98	0.59	0.79	0.160
808003	S	VRS4	800	31.18	31.54	0.56	0.98	0.59	0.79	0.160
808203	S	VRS4	820	31.50	33.26	0.56	0.98	0.59	0.79	0.160
808500	S	VRS1	850	32.68	34.45	0.56	0.98	0.59	0.79	0.160
808503	S	VRS4	850	33.11	33.50	0.56	0.98	0.59	0.79	0.160
809000	S	VRS1	900	34.45	36.22	0.56	0.98	0.59	0.79	0.160
809003	S	VRS4	900	35.12	35.91	0.56	0.98	0.59	0.79	0.160
809500	S	VRS1	950	36.22	37.99	0.56	0.98	0.59	0.79	0.160
809503	S	VRS4	950	37.17	37.60	0.56	0.98	0.59	0.79	0.160
810000	S	VRS1	1000	37.99	39.96	0.56	0.98	0.59	0.79	0.160
810003	S	VRS4	1000	39.33	39.76	0.56	0.98	0.59	0.79	0.160
810500	S	VRS1	1050	39.96	41.93	0.56	0.98	0.59	0.79	0.160
810603	S	VRS4	1060	41.10	41.90	0.56	0.98	0.59	0.79	0.160
811000	S	VRS1	1100	41.93	43.90	0.56	0.98	0.59	0.79	0.160
811003	S	VRS4	1100	42.72	43.50	0.56	0.98	0.59	0.79	0.160
811500	S	VRS1	1150	43.90	45.87	0.56	0.98	0.59	0.79	0.160
812000	S	VRS1	1200	45.87	47.84	0.56	0.98	0.59	0.79	0.160
812003	S	VRS4	1200	46.65	47.44	0.56	0.98	0.59	0.79	0.160
812500	S	VRS1	1250	47.84	50.00	0.56	0.98	0.59	0.79	0.160
813000	S	VRS1	1300	50.00	51.97	0.56	0.98	0.59	0.79	0.160
813003	S	VRS4	1300	50.98	51.77	0.56	0.98	0.59	0.79	0.160
813500	S	VRS1	1300	51.97	53.94	0.56	0.98	0.59	0.79	0.160
813503	S	VRS4	1350	52.76	53.74	0.56	0.98	0.59	0.79	0.160
814000	S	VRS1	1400	53.94	55.91	0.56	0.98	0.59	0.79	0.160
814003	S	VRS4	1400	54.72	55.71	0.56	0.98	0.59	0.79	0.160
814500	S	VRS1	1450	55.91	57.87	0.56	0.98	0.59	0.79	0.160
814503	S	VRS4	1450	56.69	57.68	0.56	0.98	0.59	0.79	0.160
815000	S	VRS1	1500	57.87	59.84	0.56	0.98	0.59	0.79	0.160
815003	S	VRS4	1500	58.66	59.65	0.56	0.98	0.59	0.79	0.160
815500	S	VRS1	1550	59.84	61.81	0.56	0.98	0.59	0.79	0.160
815503	S	VRS4	1550	60.63	61.81	0.56	0.98	0.59	0.79	0.160
816000	S	VRS1	1600	61.81	63.78	0.56	0.98	0.59	0.79	0.160
816003	S	VRS4	1600	62.99	64.57	0.56	0.98	0.59	0.79	0.160
816500	S	VRS1	1650	63.78	65.75	0.56	0.98	0.59	0.79	0.160
816503	S	VRS4	1650	64.57	66.14	0.56	0.98	0.59	0.79	0.160
817000	S	VRS1	1700	65.75	67.72	0.56	0.98	0.59	0.79	0.160
817003	S	VRS4	1700	66.15	67.72	0.56	0.98	0.59	0.79	0.160
817500	S	VRS1	1750	67.72	69.69	0.56	0.98	0.59	0.79	0.160
817503	S	VRS4	1750	67.72	69.49	0.56	0.98	0.59	0.79	0.160
818000	S	VRS1	1800	69.69	71.65	0.56	0.98	0.59	0.79	0.160
818003	S	VRS4	1800	69.49	71.26	0.56	0.98	0.59	0.79	0.160
818500	S	VRS1	1850	71.65	73.62	0.56	0.98	0.59	0.79	0.160
818503	S	VRS4	1850	71.26	73.03	0.56	0.98	0.59	0.79	0.160
819000	S	VRS1	1900	73.62	75.59	0.56	0.98	0.59	0.79	0.160
819003	S	VRS4	1900	73.03	75.00	0.56	0.98	0.59	0.79	0.160
819500	S	VRS1	1950	75.59	77.56	0.56	0.98	0.59	0.79	0.160
819503	S	VRS4	1950	75.00	76.97	0.56	0.98	0.59	0.79	0.160
819990	S	VRS1	1999	77.56	79.53	0.56	0.98	0.59	0.79	0.160
820003	S	VRS4	2000	76.90	79.10	0.56	0.98	0.59	0.79	0.160

Select the larger V-Seal when the dimension d1 is on the boundary between two sizes. All dimensions in inches unless noted.

Metric List Sizes & Type

Shaft Size	Hsg. Bore	Seal O.D.	Seal Width	Grp.	Part No.	Lip Mat'l	Illus./ Type	Shaft Size	Hsg. Bore	Seal O.D.	Seal Width	Grp.	Part No.	Lip Mat'l	Illus./ Type
4,50	15,80	16,00	5,00	A	*4.5X16X5	S	32	8,00	24,00	24,28	7,00	A	8X24X7	S	35
4,50	15,80	16,00	7,00	A	*4.5X16X7	S	32	8,00	24,80	25,00	7,00	A	*8X25X7	S	32
4,50	16,80	17,00	7,00	A	*4.5X17X7	S	32	8,00	24,80	25,00	8,00	A	*8X25X8	S	32
4,80	14,80	15,00	5,00	A	*4.8X15X5	S	32	8,00	24,80	25,00	9,00	A	*8X25X9	S	32
5,00	14,80	15,00	6,00	A	*5X15X6	S	32	8,00	25,80	26,00	7,00	A	*8X26X7	S	32
5,00	15,80	16,00	6,00	A	*5X16X6	S	32	8,00	29,80	30,00	6,00	A	*8X30X6	S	32
5,00	16,00	16,20	5,00	A	*5X16X5	S	32	8,00	29,80	30,00	7,00	A	*8X30X7	S	32
5,00	16,80	17,00	7,00	A	*5X17X7	S	32	8,00	33,80	34,00	8,00	A	*8X34X8	S	32
5,00	17,80	18,00	6,00	A	*5X18X6	S	32	8,85	16,80	17,00	5,00	A	*8.85X17X5	S	32
5,00	17,80	18,00	7,00	A	*5X18X7	S	32	8,85	19,80	20,00	5,00	A	*8.85X20X5	S	32
5,00	17,80	18,00	10,00	A	*5X18X10	S	32	9,00	15,80	16,00	5,50	A	*9X16X5.5	S	32
5,00	18,80	19,00	7,00	A	*5X19X7	S	32	9,00	18,00	18,20	7,00	A	9X18X7	S	35
5,00	21,80	22,00	7,00	A	*5X22X7	S	32	9,00	18,00	18,20	7,00	A	220918	S	35
5,50	17,80	18,00	8,00	A	*5.5X18X8	S	32	9,00	18,80	19,00	5,00	A	*9X19X5	S	32
5,50	21,80	22,00	8,00	A	*5.5X22X8	S	32	9,00	18,80	19,00	7,00	A	*9X19X7	S	32
6,00	16,00	16,20	5,00	A	6X16X5	S	35	9,00	19,80	20,00	7,00	A	*9X20X7	S	32
6,00	16,00	16,20	7,00	A	*6X16X7V	V	35	9,00	22,00	22,20	7,00	A	9X22X7	S	35
6,00	16,00	16,28	7,00	A	6X16X7	S	35	9,00	22,00	22,20	7,00	A	*9X22X7V	V	35
6,00	16,80	17,00	7,00	A	*6X17X7	S	32	9,00	24,00	24,28	7,00	A	9X24X7	S	35
6,00	17,80	18,00	6,00	A	*6X18X6	S	32	9,00	24,80	25,00	7,00	A	*9X25X7	S	32
6,00	17,80	18,00	7,00	A	*6X18X7	S	32	9,00	26,00	26,28	7,00	A	9X26X7	S	35
6,00	18,80	19,00	7,00	A	*6X19X7	S	32	9,00	28,80	29,00	7,00	A	*9X29X7	S	32
6,00	19,80	20,00	5,50	A	*6X20X5.5	S	32	9,00	29,80	30,00	7,00	A	*9X30X7	S	32
6,00	20,80	21,00	7,00	A	*6X21X7	S	32	10,00	15,80	16,00	4,00	A	*10X16X4	S	32
6,00	22,00	22,28	7,00	A	6X22X7	S	35	10,00	15,80	16,00	4,50	A	*10X16X4.5	S	32
6,00	25,80	26,00	7,00	A	*6X26X7	S	32	10,00	16,80	17,00	5,00	A	*10X17X5	S	32
6,00	34,80	35,00	7,00	A	*6X35X7	S	32	10,00	16,80	17,00	7,00	A	*10X17X7	S	32
6,50	14,30	14,50	7,00	A	*6.5X14.5X7	S	32	10,00	17,80	18,00	4,00	A	*10X18X4	S	32
6,80	21,80	22,00	7,00	A	*6.8X22X7	S	32	10,00	17,80	18,00	5,00	A	*10X18X5	S	32
7,00	16,00	16,20	7,00	A	*7X16X7V	V	35	10,00	17,80	18,00	6,00	A	*10X18X6	S	32
7,00	16,00	16,28	7,00	A	7X16X7	S	32	10,00	17,80	18,00	7,00	A	*10X18X7	S	32
7,00	16,80	17,00	7,00	A	*7X17X7	S	32	10,00	19,00	19,20	7,00	A	10X19X7	S	35
7,00	17,80	18,00	7,00	A	*7X18X7	S	32	10,00	19,00	19,20	7,00	A	221040	S	35
7,00	18,80	19,00	7,00	A	*7X19X7	S	32	10,00	19,80	20,00	5,00	A	*10X20X5	S	32
7,00	21,80	22,00	6,00	A	*7X22X6	S	32	10,00	19,80	20,00	6,00	A	*10X20X6	S	32
7,00	21,80	22,00	8,00	A	*7X22X8	S	32	10,00	19,80	20,00	7,00	A	*10X20X7	S	32
7,00	22,00	22,28	7,00	A	7X22X7	S	35	10,00	20,80	21,00	4,00	A	*10X21X4	S	32
7,00	30,80	31,00	7,00	A	*7X31X7	S	32	10,00	20,80	21,00	6,00	A	*10X21X6	S	32
8,00	13,80	14,00	7,00	A	*8X14X7	S	32	10,00	20,80	21,00	7,00	A	*10X21X7	S	32
8,00	14,00	14,20	4,00	A	8X14X4	S	35	10,00	21,80	22,00	5,00	A	*10X22X5	S	32
8,00	14,00	14,20	5,00	A	*8X14X5	S	32	10,00	21,80	22,00	6,00	A	*10X22X6	S	32
8,00	14,80	15,00	5,00	A	*8X15X5	S	32	10,00	22,00	22,20	7,00	A	*10X22X7V	V	35
8,00	15,80	16,00	5,00	A	*8X16X5	S	32	10,00	22,00	22,28	7,00	A	10X22X7	S	32
8,00	15,80	16,00	6,00	A	*8X16X6	S	32	10,00	22,80	23,00	7,00	A	*10X23X7	S	32
8,00	16,00	16,20	7,00	A	220860	S	35	10,00	22,80	23,00	8,00	A	*10X23X8	S	32
8,00	16,00	16,23	7,00	A	8X16X7	S	35	10,00	23,30	23,50	10,00	A	*10X23.5X10	S	32
8,00	16,80	17,00	7,00	A	*8X17X7	S	32	10,00	23,80	24,00	6,00	A	*10X24X6	S	32
8,00	17,80	18,00	6,00	A	*8X18X6	S	32	10,00	24,00	24,23	7,00	A	10X24X7	S	35
8,00	17,80	18,00	8,00	A	*8X18X8	S	32	10,00	24,80	25,00	5,00	A	*10X25X5	S	32
8,00	18,00	18,20	5,00	A	8X18X5	S	35	10,00	24,80	25,00	10,00	A	*10X25X10	S	32
8,00	18,00	18,20	7,00	A	8X18X7	S	32	10,00	25,00	25,28	7,00	A	10X25X7	S	32
8,00	18,00	18,20	7,00	A	220818	S	32	10,00	25,80	26,00	8,00	A	*10X26X8	S	32
8,00	18,80	19,00	7,00	A	*8X19X7	S	32	10,00	26,00	26,23	7,00	A	10X26X7	S	32
8,00	19,80	20,00	7,00	A	*8X20X7	S	32	10,00	27,80	28,00	7,00	A	*10X28X7	S	32
8,00	21,80	22,00	6,00	A	*8X22X6	S	32	10,00	27,80	28,00	8,00	A	*10X28X8	S	32
8,00	22,00	22,20	7,00	A	*8X22X7V	V	32	10,00	29,80	30,00	7,00	A	*10X30X7	S	32
8,00	22,00	22,28	7,00	A	8X22X7	S	32	10,00	29,80	30,00	10,00	A	*10X30X10	S	32
8,00	22,80	23,00	5,00	A	*8X23X5	S	32	11,00	17,00	17,25	4,00	A	11X17X4	S	32
								11,00	20,80	21,00	7,00	A	*11X21X7	S	32

METRIC SECTION

For Illustration and Material Data See Technical Section

* The U.S. customer service number is 877-4-TIMKEN. The Canadian customer service numbers are 800-565-4927 (English) and 800-565-0438 (French-Canadian).

Shaft Size	Hsg. Bore	Seal O.D.	Seal Width	Grp.	Part No.	Lip Mat'l	Illus./ Type	Shaft Size	Hsg. Bore	Seal O.D.	Seal Width	Grp.	Part No.	Lip Mat'l	Illus./ Type
11,00	20,80	21,00	8,00	A	*11X21X8	S	32	12,00	35,00	35,20	7,00	A	12X35X7	S	32
11,00	22,00	22,23	7,00	A	221122	S	35	12,00	36,80	37,00	7,00	A	*12X37X7	S	32
11,00	22,00	22,28	7,00	A	11X22X7	S	35	12,45	21,80	22,00	7,00	A	*12.45X22X7	S	32
11,00	22,80	23,00	7,00	A	*11X23X7	S	32	12,50	21,80	22,00	6,00	A	*12.5X22X6	S	32
11,00	23,30	23,50	7,00	A	*11X23.5X7	S	32	12,50	23,30	23,50	8,00	A	*12.5X23.5X8	S	32
11,00	24,80	25,00	7,00	A	*11X25X7	S	32	12,50	23,30	23,50	10,00	A	*12.5X23.5X10	S	32
11,00	26,00	26,28	7,00	A	11X26X7	S	35	12,50	24,80	25,00	8,00	A	*12.5X25X8	S	32
11,00	27,80	28,00	7,00	A	*11X28X7	S	32	12,50	28,30	28,50	7,00	A	*12.5X28.5X7	S	32
11,00	28,80	29,00	7,00	A	*11X29X7	S	32	13,00	19,80	20,00	5,00	A	*13X20X5	S	32
11,00	29,80	30,00	10,00	A	*11X30X10	S	32	13,00	21,80	22,00	5,00	A	*13X22X5	S	32
11,00	30,00	30,20	7,00	A	11X30X7	S	32	13,00	21,80	22,00	7,00	A	*13X22X7	S	32
11,60	18,80	19,00	6,00	A	*11.6X19X6	S	32	13,00	22,00	22,20	6,00	A	13X22X6	S	32
11,60	23,80	24,00	10,00	A	*11.6X24X10	S	32	13,00	22,00	22,20	6,00	A	710348	S	32
12,00	17,80	18,00	5,00	A	*12X18X5	S	32	13,00	22,80	23,00	7,00	A	*13X23X7	S	32
12,00	18,80	19,00	7,00	A	*12X19X7	S	32	13,00	23,80	24,00	7,00	A	*13X24X7	S	32
12,00	19,00	19,20	5,00	A	12X19X5	S	32	13,00	24,80	25,00	5,00	A	*13X25X5	S	32
12,00	19,80	20,00	4,00	A	*12X20X4	S	32	13,00	24,80	25,00	7,00	A	*13X25X7	S	32
12,00	19,80	20,00	6,00	A	*12X20X6	S	32	13,00	25,80	26,00	9,00	A	*13X26X9	S	32
12,00	19,80	20,00	7,00	A	*12X20X7	S	32	13,00	26,00	26,20	7,00	A	13X26X7	S	32
12,00	20,00	20,28	5,00	A	12X20X5	S	32	13,00	27,00	27,20	7,00	A	*13X27X7	S	32
12,00	20,80	21,00	4,00	A	*12X21X4	S	32	13,00	28,00	28,20	7,00	A	13X28X7	S	32
12,00	20,80	21,00	7,00	A	*12X21X7	S	32	13,00	29,80	30,00	8,00	A	*13X30X8	S	32
12,00	21,80	22,00	5,00	A	*12X22X5	S	32	13,00	30,00	30,20	7,00	A	13X30X7	S	32
12,00	21,80	22,00	6,50	A	*12X22X6.5	S	32	13,00	31,80	32,00	7,00	A	*13X32X7	S	32
12,00	21,80	22,00	8,00	A	*12X22X8	S	32	13,00	34,80	35,00	7,00	A	*13X35X7	S	32
12,00	21,80	22,00	9,00	A	*12X22X9	S	32	13,80	23,80	24,00	5,00	A	*13.8X24X5	S	32
12,00	22,00	22,20	7,00	A	*12X22X7V	V	35	14,00	20,80	21,00	4,00	A	*14X21X4	S	32
12,00	22,00	22,25	7,00	A	12X22X7	S	35	14,00	21,80	22,00	4,00	A	*14X22X4	S	32
12,00	22,00	22,25	7,00	A	221207	S	35	14,00	21,80	22,00	6,00	A	*14X22X6	S	32
12,00	22,00	22,25	7,00	A	221208	V	35	14,00	21,80	22,00	7,00	A	*14X22X7	S	32
12,00	22,80	23,00	7,00	A	*12X23X7	S	32	14,00	22,80	23,00	6,00	A	*14X23X6	S	32
12,00	23,30	23,50	7,00	A	*12X23.5X7	S	32	14,00	23,80	24,00	4,00	A	*14X24X4	S	32
12,00	23,80	24,00	8,00	A	*12X24X8	S	32	14,00	23,80	24,00	5,00	A	*14X24X5	S	32
12,00	24,00	24,23	7,00	A	12X24X7	S	32	14,00	23,80	24,00	6,00	A	*14X24X6	S	32
12,00	24,80	25,00	8,00	A	*12X25X8	S	32	14,00	23,80	24,00	8,00	A	*14X24X8	S	32
12,00	24,80	25,00	10,00	A	*12X25X10	S	32	14,00	24,00	24,23	7,00	A	221410	S	35
12,00	25,00	25,20	4,50	A	12X25X4.5	S	32	14,00	24,00	24,23	7,00	A	14X24X7	S	35
12,00	25,00	25,25	7,00	A	12X25X7	S	48	14,00	24,00	24,25	12,70	A	2004	S	#
12,00	25,30	25,50	7,00	A	*12X25.5X7	S	32	14,00	24,80	25,00	4,00	A	*14X25X4	S	32
12,00	25,80	26,00	8,00	A	*12X26X8	S	32	14,00	24,80	25,00	7,00	A	*14X25X7	S	32
12,00	26,00	26,20	7,00	A	12X26X7	S	32	14,00	24,80	25,00	9,00	A	*14X25X9	S	32
12,00	26,80	27,00	9,00	A	*12X27X9	S	32	14,00	25,00	25,20	7,00	A	710116	N	32
12,00	27,00	27,20	7,00	A	*12X27X7	S	32	14,00	25,00	25,23	5,00	A	14X25X5	S	32
12,00	27,80	28,00	8,00	A	*12X28X8	S	32	14,00	25,80	26,00	8,00	A	*14X26X8	S	32
12,00	28,00	28,20	7,00	A	12X28X7	S	35	14,00	26,00	26,23	7,00	A	14X26X7	S	32
12,00	28,00	28,20	7,00	A	*12X28X7V	V	35	14,00	26,80	27,00	10,00	A	*14X27X10	S	32
12,00	28,30	28,50	7,00	A	*12X28.5X7	S	32	14,00	27,00	27,20	7,00	A	14X27X7	S	32
12,00	29,80	30,00	5,00	A	*12X30X5	S	32	14,00	27,80	28,00	7,00	A	*14X28X7	S	32
12,00	29,80	30,00	9,00	A	*12X30X9	S	32	14,00	27,80	28,00	7,00	A	*14X28X7	S	32
12,00	29,80	30,00	10,00	A	*12X30X10	S	32	14,00	28,00	28,23	6,00	A	14X28X6	S	35
12,00	30,00	30,20	7,00	A	12X30X7	S	35	14,00	28,30	28,50	7,00	A	*14X28.5X7	S	32
12,00	30,00	30,20	7,00	A	*12X30X7V	V	35	14,00	28,80	29,00	7,00	A	*14X29X7	S	32
12,00	31,80	32,00	5,00	A	*12X32X5	S	32	14,00	29,80	30,00	7,50	A	*14X30X7.5	S	32
12,00	31,80	32,00	10,00	A	*12X32X10	S	32	14,00	29,80	30,00	8,00	A	*14X30X8	S	32
12,00	32,00	32,20	7,00	A	12X32X7	S	35	14,00	29,80	30,00	9,00	A	*14X30X9	S	32
12,00	34,80	35,00	10,00	A	*12X35X10	S	32	14,00	29,80	30,00	10,00	A	*14X30X10	S	32
								14,00	30,00	30,20	7,00	A	14X30X7	S	32
								14,00	30,00	30,20	7,00	A	*14X30X7V	V	35

For Illustration and Material Data See Technical Section

Designed For A Specific Application - Not Recommended For General Use ◀ Hydrodynamic Lip Design-CCW

Metric List Sizes & Type

Shaft Size	Hsg. Bore	Seal O.D.	Seal Width	Grp.	Part No.	Lip Mat'l	Illus./ Type	Shaft Size	Hsg. Bore	Seal O.D.	Seal Width	Grp.	Part No.	Lip Mat'l	Illus./ Type
14,00	31,80	32,00	7,50	A	* 14X32X7.5	S	32	15,00	36,80	37,00	7,00	A	* 15X37X7	S	32
14,00	31,80	32,00	10,00	A	* 14X32X10	S	32	15,00	37,00	37,20	6,00	A	15X37X6	S	32
14,00	32,00	32,20	7,00	A	14X32X7	S	32	15,00	37,80	38,00	10,00	A	* 15X38X10	S	32
14,00	34,80	35,00	8,00	A	* 14X35X8	S	32	15,00	38,00	38,20	7,00	A	* 15X38X7	S	32
14,00	34,80	35,00	10,00	A	* 14X35X10	S	32	15,00	39,80	40,00	8,00	A	* 15X40X8	S	32
14,00	35,00	35,22	7,00	A	14X35X7	S	35	15,00	39,80	40,00	10,00	A	* 15X40X10	S	32
14,00	35,80	36,00	7,00	A	* 14X36X7	S	32	15,00	40,00	40,20	7,00	A	15X40X7	S	32
14,00	39,80	40,00	7,00	A	* 14X40X7	S	32	15,00	41,80	42,00	7,00	A	* 15X42X7	S	32
14,00	39,80	40,00	10,00	A	* 14X40X10	S	32	15,00	41,80	42,00	8,00	A	* 15X42X8	S	32
14,50	31,80	32,00	7,00	A	* 14.5X32X7	S	32	15,00	41,80	42,00	10,00	A	* 15X42X10	S	32
14,80	29,80	30,00	7,50	A	* 14.8X30X7.5	S	32	15,60	25,30	25,50	7,00	A	* 15.6X25.5X7	S	32
15,00	20,00	20,10	5,00	A	710346	S	49	16,00	20,80	21,00	6,00	A	* 16X21X6	S	32
15,00	20,80	21,00	5,00	A	* 15X21X5	S	32	16,00	21,80	22,00	7,00	A	* 16X22X7	S	32
15,00	21,80	22,00	4,00	A	* 15X22X4	S	32	16,00	22,00	22,20	4,00	A	16X22X4	S	32
15,00	21,80	22,00	5,00	A	* 15X22X5	S	32	16,00	23,80	24,00	4,00	A	* 16X24X4	S	32
15,00	21,80	22,00	7,00	A	* 15X22X7	S	32	16,00	24,00	24,20	6,00	A	16X24X6	S	32
15,00	22,80	23,00	7,00	A	* 15X23X7	S	32	16,00	24,00	24,20	7,00	A	16X24X7	S	32
15,00	23,80	24,00	5,00	A	* 15X24X5	S	32	16,00	24,80	25,00	5,00	A	* 16X25X5	S	32
15,00	23,80	24,00	6,00	A	* 15X24X6	S	32	16,00	24,80	25,00	6,00	A	* 16X25X6	S	32
15,00	24,00	24,20	5,00	A	2027	S	35	16,00	24,80	25,00	7,00	A	* 16X25X7	S	32
15,00	24,00	24,23	7,00	A	15X24X7	S	35	16,00	25,00	25,20	5,00	A	16X24X5	S	35
15,00	25,00	25,20	5,00	A	15X25X5	S	32	16,00	25,80	26,00	5,00	A	* 16X26X5	S	32
15,00	25,00	25,20	7,00	A	15X25X7	S	35	16,00	25,80	26,00	6,00	A	* 16X26X6	S	32
15,00	25,00	25,22	7,00	A	* 350509	S	35	16,00	25,80	26,00	6,00	A	* 16X26X6	S	32
15,00	25,00	25,25	6,00	A	15X25X6	N	32	16,00	26,00	26,10	7,00	A	710243	S	25
15,00	25,00	25,25	6,00	A	221510	N	32	16,00	26,00	26,20	7,00	A	16X26X7	S	32
15,00	25,30	25,50	4,50	A	* 15X25.5X4.5	S	32	16,00	26,80	27,00	7,00	A	* 16X27X7	S	32
15,00	25,30	25,50	7,00	A	* 15X25.5X7	S	32	16,00	27,00	27,20	14,00	A	221607	N	#
15,00	25,80	26,00	6,00	A	* 15X26X6	S	32	16,00	27,23	27,33	9,00	A	* 4662V	V	47
15,00	25,80	26,00	8,00	A	* 15X26X8	S	32	16,00	27,23	27,33	9,00	A	714662	V	47
15,00	25,80	26,00	9,00	A	* 15X26X9	S	32	16,00	28,00	28,20	7,00	A	* 16X28X7V	V	32
15,00	26,00	26,23	7,00	A	15X26X7	S	35	16,00	28,00	28,23	7,00	A	221610	N	32
15,00	26,80	27,00	7,00	A	* 15X27X7	S	32	16,00	28,00	28,23	7,00	A	16X28X7	S	35
15,00	26,80	27,00	8,00	A	* 15X27X8	S	32	16,00	28,30	28,50	8,00	A	* 16X28.5X8	S	32
15,00	27,80	28,00	6,00	A	* 15X28X6	S	32	16,00	28,80	29,00	7,00	A	* 16X29X7	S	32
15,00	27,80	28,00	8,00	A	* 15X28X8	S	32	16,00	29,80	30,00	4,50	A	* 16X30X4.5	S	32
15,00	27,80	28,00	10,00	A	* 15X28X10	S	32	16,00	29,80	30,00	5,00	A	* 16X30X5	S	32
15,00	27,93	28,13	7,00	A	* 15X28.13X7	S	32	16,00	29,80	30,00	6,00	A	* 16X30X6	S	32
15,00	28,00	28,20	7,00	A	15X28X7	S	32	16,00	29,80	30,00	8,00	A	* 16X30X8	S	32
15,00	28,30	28,50	7,00	A	* 15X28.5X7	S	32	16,00	29,80	30,00	10,00	A	* 16X30X10	S	32
15,00	28,80	29,00	7,00	A	* 15X29X7	S	32	16,00	30,00	30,20	7,00	A	* 16X30X7V	V	35
15,00	29,80	30,00	5,00	A	* 15X30X5	S	32	16,00	30,00	30,20	7,00	A	* 713026	V	25
15,00	29,80	30,00	7,50	A	* 15X30X7.5	S	32	16,00	30,00	30,23	7,00	A	221620	S	35
15,00	29,80	30,00	8,00	A	* 15X30X8	S	32	16,00	30,00	30,23	7,00	A	16X30X7	S	35
15,00	29,80	30,00	10,00	A	* 15X30X10	S	32	16,00	31,80	32,00	10,00	A	* 16X32X10	S	32
15,00	30,00	30,23	7,00	A	221540	S	35	16,00	32,00	32,28	7,00	A	16X32X7	S	32
15,00	30,00	30,23	7,00	A	15X30X7	S	35	16,00	33,80	34,00	4,00	A	* 16X34X4	S	32
15,00	30,80	31,00	7,00	A	* 15X31X7	S	32	16,00	34,80	35,00	8,00	A	* 16X35X8	S	32
15,00	31,80	32,00	5,00	A	* 15X32X5	S	32	16,00	34,80	35,00	10,00	A	* 16X35X10	S	32
15,00	31,80	32,00	7,50	A	* 15X32X7.5	S	32	16,00	35,00	35,23	7,00	A	16X35X7	S	35
15,00	31,80	32,00	9,00	A	* 15X32X9	S	32	16,00	36,00	36,20	7,00	A	* 16X36X7	S	32
15,00	32,00	32,20	7,00	A	15X32X7	S	35	16,00	36,80	37,00	7,00	A	* 16X37X7	S	32
15,00	32,00	32,20	7,00	A	* 15X32X7V	V	35	16,00	37,80	38,00	8,00	A	* 16X38X8	S	32
15,00	32,00	32,22	8,00	A	15X32X8	S	35	16,00	38,00	38,20	7,00	A	16X38X7	S	32
15,00	34,80	35,00	5,00	A	* 15X35X5	S	32	16,00	39,80	40,00	10,00	A	* 16X40X10	S	32
15,00	34,80	35,00	6,00	A	* 15X35X6	S	32	16,00	40,00	40,20	7,00	A	16X40X7	S	32
15,00	34,80	35,00	8,00	A	* 15X35X8	S	32								
15,00	34,80	35,00	10,00	A	* 15X35X10	S	32								
15,00	35,00	35,20	7,00	A	* 15X35X7V	V	35								
15,00	35,00	35,23	7,00	A	15X35X7	S	35								
15,00	35,80	36,00	7,00	A	* 15X36X7	S	32								

METRIC SECTION

For Illustration and Material Data See Technical Section

Designed For A Specific Application - Not Recommended For General Use

* The U.S. customer service number is 877-4-TIMKEN. The Canadian customer service numbers are 800-565-4927 (English) and 800-565-0438 (French-Canadian).

Shaft Size	Hsg. Bore	Seal O.D.	Seal Width	Grp.	Part No.	Lip Mat'l	Illus./ Type	Shaft Size	Hsg. Bore	Seal O.D.	Seal Width	Grp.	Part No.	Lip Mat'l	Illus./ Type
16,00	44,75	44,96	9,00	A	*4616V	V	#	17,00	38,00	38,20	7,00	A	17X38X7	S	32
16,00	44,75	44,96	9,00	A	714616	V	#	17,00	39,80	40,00	5,00	A	*17X40X5	S	32
16,00	56,00	56,20	6,50	A	710261➔	V	32	17,00	39,80	40,00	8,00	A	*17X40X8	S	32
16,40	29,80	30,00	5,00	A	*16.4X30X5	S	32	17,00	39,80	40,00	10,00	A	*17X40X10	S	32
17,00	20,80	20,90	3,10	A	710361	S	44	17,00	40,00	40,23	7,00	A	17X40X7	S	35
17,00	23,80	24,00	7,00	A	*17X24X7	S	32	17,00	42,00	42,20	7,00	A	*17X42X7	S	32
17,00	24,80	25,00	4,00	A	*17X25X4	S	32	17,00	45,00	45,20	7,00	A	*17X45X7	S	32
17,00	24,80	25,00	6,00	A	*17X25X6	S	32	17,00	45,80	46,00	6,00	A	*17X46X6	S	32
17,00	24,80	25,00	7,00	A	*17X25X7	S	32	17,00	46,00	46,20	7,00	A	*17X46X7	S	32
17,00	25,00	25,10	5,00	A	710362	S	49	17,00	46,80	47,00	10,00	A	*17X47X10	S	32
17,00	25,80	26,00	6,00	A	*17X26X6	S	32	17,00	47,00	47,20	7,00	A	17X47X7	S	35
17,00	25,80	26,00	7,00	A	*17X26X7	S	32	17,00	47,00	47,20	8,00	A	17X47X8	S	32
17,00	26,80	27,00	5,00	A	*17X27X5	S	32	17,40	30,00	30,20	7,00	A	710344	S	32
17,00	26,80	27,00	8,00	A	*17X27X8	S	32	17,50	27,50	27,70	7,00	A	710299	N	#
17,00	26,80	27,00	10,00	A	*17X27X10	S	32	17,50	31,80	32,00	6,00	A	*17.5X32X6	S	32
17,00	27,00	27,20	7,00	A	17X27X7	S	32	17,60	29,80	30,00	7,00	A	*17.6X30X7	S	32
17,00	27,80	28,00	4,50	A	*17X28X4.5	S	32	18,00	23,00	23,20	4,00	A	710297	S	34
17,00	27,80	28,00	5,00	A	*17X28X5	S	32	18,00	24,80	25,00	7,00	A	*18X25X7	S	32
17,00	27,80	28,00	6,00	A	*17X28X6	S	32	18,00	25,80	26,00	7,00	A	*18X26X7	S	32
17,00	27,80	28,00	8,00	A	*17X28X8	S	32	18,00	26,00	26,10	4,00	A	710222	S	98
17,00	28,00	28,20	5,00	A	*713001	V	32	18,00	26,80	27,00	7,00	A	*18X27X7	S	32
17,00	28,00	28,20	7,00	A	*17X28X7V	V	35	18,00	27,80	28,00	7,00	A	*18X28X7	S	32
17,00	28,00	28,20	7,00	A	*713080	S	47	18,00	27,80	28,00	8,00	A	*18X28X8	S	32
17,00	28,00	28,23	7,00	A	221710	S	35	18,00	27,80	28,00	10,00	A	*18X28X10	S	32
17,00	28,00	28,23	7,00	A	17X28X7	S	35	18,00	28,00	28,20	6,00	A	1015	S	35
17,00	28,30	28,50	7,00	A	*17X28.5X7	S	32	18,00	28,00	28,20	6,00	A	1015N	S	35
17,00	28,80	29,00	5,00	A	*17X29X5	S	32	18,00	28,00	28,20	6,00	A	*4400	N	34
17,00	29,00	29,20	7,00	A	*17X29X7	S	32	18,00	28,00	28,20	7,00	A	*18X28X7V	V	35
17,00	29,80	30,00	5,00	A	*17X30X5	S	32	18,00	28,00	28,28	6,00	A	18X28X6	S	35
17,00	29,80	30,00	6,00	A	*17X30X6	S	32	18,00	28,80	29,00	7,00	A	*18X29X7	S	32
17,00	29,80	30,00	6,00	A	*17X30X6	S	32	18,00	29,80	30,00	6,00	A	*18X30X6	S	32
17,00	29,80	30,00	8,00	A	*17X30X8	S	32	18,00	29,80	30,00	8,00	A	*18X30X8	S	32
17,00	29,80	30,00	10,00	A	*17X30X10	S	32	18,00	29,80	30,00	10,00	A	*18X30X10	S	32
17,00	30,00	30,20	7,00	A	*17X30X7V	V	35	18,00	30,00	30,10	6,70	A	3816&	S	271
17,00	30,00	30,23	8,00	A	221720	S	47	18,00	30,00	30,23	7,00	A	18X30X7	S	35
17,00	30,00	30,23	7,00	A	17X30X7	S	35	18,00	30,00	30,23	9,00	A	221820➔	S	32
17,00	30,80	31,00	7,00	A	*17X31X7	S	32	18,00	30,80	31,00	7,00	A	*18X31X7	S	32
17,00	30,80	31,00	8,00	A	*17X31X8	S	32	18,00	31,80	32,00	6,00	A	*18X32X6	S	32
17,00	31,55	31,75	8,00	A	*17X31.75X8	S	32	18,00	31,80	32,00	10,00	A	*18X32X10	S	32
17,00	31,80	32,00	5,00	A	*17X32X5	S	32	18,00	32,00	32,10	7,00	A	710156	S	#
17,00	31,80	32,00	6,00	A	*17X32X6	S	32	18,00	32,00	32,20	7,00	A	18X32X7	S	35
17,00	31,80	32,00	8,00	A	*17X32X8	S	32	18,00	32,00	32,20	7,00	A	*18X32X7V	V	35
17,00	32,00	32,22	7,00	A	221730	S	35	18,00	32,00	32,22	8,00	A	221830	S	35
17,00	32,00	32,22	7,00	A	17X32X7	S	35	18,00	32,00	32,22	8,00	A	18X32X8	S	35
17,00	32,80	33,00	7,00	A	*17X33X7	S	32	18,00	32,00	32,23	12,70	A	*4401	N	#
17,00	33,80	34,00	4,00	A	*17X34X4	S	32	18,00	33,80	34,00	7,00	A	*18X34X7	S	32
17,00	33,80	34,00	7,00	A	*17X34X7	S	32	18,00	34,00	34,20	8,00	A	710412	S	32
17,00	34,00	34,10	7,90	A	710251	N	47	18,00	34,80	35,00	8,00	A	*18X35X8	S	32
17,00	34,30	34,50	4,00	A	*17X34.5X4	S	32	18,00	34,80	35,00	10,00	A	*18X35X10	S	32
17,00	34,80	35,00	6,00	A	*17X35X6	S	32	18,00	35,00	35,18	7,00	A	18X35X7	S	32
17,00	34,80	35,00	10,00	A	*17X35X10	S	32	18,00	35,00	35,20	8,00	A	*18X35X8V	V	35
17,00	35,00	35,18	7,00	A	17X35X7	S	35	18,00	36,00	36,20	7,00	A	*18X36X7	S	32
17,00	35,00	35,20	7,00	A	*17X35X7V	V	35	18,00	36,80	37,00	7,00	A	*18X37X7	S	32
17,00	35,00	35,20	8,00	A	17X35X8	S	35	18,00	37,00	37,20	8,00	A	18X37X8	S	32
17,00	36,00	36,20	7,00	A	*17X36X7	S	32	18,00	37,80	38,00	10,00	A	*18X38X10	S	32
17,00	36,80	37,00	10,00	A	*17X37X10	S	32								
17,00	37,00	37,20	7,00	A	17X37X7	S	32								
17,00	37,80	38,00	10,00	A	*17X38X10	S	32								

For Illustration and Material Data See Technical Section

Designed For A Specific Application - Not Recommended For General Use ➔ Hydrodynamic Lip Design-CW & Flanged O.D.

Metric List Sizes & Type

Shaft Size	Hsg. Bore	Seal O.D.	Seal Width	Grp.	Part No.	Lip Mat'l	Illus./ Type	Shaft Size	Hsg. Bore	Seal O.D.	Seal Width	Grp.	Part No.	Lip Mat'l	Illus./ Type
18,00	38,00	38,20	7,00	A	18X38X7	S	32	20,00	28,00	28,20	6,00	A	20X28X6	S	32
18,00	39,80	40,00	10,00	A	*18X40X10	S	32	20,00	29,80	30,00	4,50	A	*20X30X4.5	S	32
18,00	40,00	40,22	7,00	A	18X40X7	S	35	20,00	29,80	30,00	5,50	A	*20X30X5.5	S	32
18,00	40,00	40,20	7,00	A	*18X40X7V	V	35	20,00	29,80	30,00	6,00	A	*20X30X6	S	32
18,00	41,80	42,00	7,00	A	*18X42X7	S	32	20,00	29,80	30,00	9,00	A	*20X30X9	S	32
18,00	41,80	42,00	10,00	A	*18X42X10	S	32	20,00	29,80	30,00	10,00	A	*20X30X10	S	32
18,70	35,00	35,20	7,00	A	710272	N	32	20,00	30,00	30,20	5,00	A	20X30X5	S	35
19,00	24,80	25,00	6,00	A	*19X25X6	S	32	20,00	30,00	30,20	5,00	A	*20X30X5V	V	35
19,00	26,80	27,00	5,00	A	*19X27X5	S	32	20,00	30,00	30,20	7,00	A	*20X30X7V	V	35
19,00	26,80	27,00	10,00	A	*19X27X10	S	32	20,00	30,00	30,28	7,00	A	222025	S	35
19,00	27,00	27,20	6,00	A	19X27X6	S	35	20,00	30,00	30,28	7,00	A	20X30X7	S	35
19,00	27,80	28,00	7,00	A	*19X28X7	S	32	20,00	30,80	31,00	5,00	A	*20X31X5	S	32
19,00	28,80	29,00	7,00	A	*19X29X7	S	32	20,00	31,00	31,20	7,00	A	*20X31X7	S	32
19,00	30,00	30,20	7,00	A	19X30X7	S	32	20,00	31,80	32,00	5,00	A	*20X32X5	S	32
19,00	30,00	30,20	7,00	A	221920	S	32	20,00	31,80	32,00	6,00	A	*20X32X6	S	32
19,00	31,80	32,00	5,00	A	*19X32X5	S	32	20,00	31,80	32,00	7,50	A	*20X32X7.5	S	32
19,00	31,80	32,00	6,00	A	*19X32X6	S	32	20,00	31,80	32,00	8,00	A	*20X32X8	S	32
19,00	31,80	32,00	10,00	A	*19X32X10	S	32	20,00	31,80	32,00	10,00	A	*20X32X10	S	32
19,00	32,00	32,20	7,00	A	19X32X7	S	35	20,00	32,00	32,23	7,00	A	222020	S	35
19,00	32,00	32,20	8,00	A	19X32X8	S	32	20,00	32,00	32,23	7,00	A	20X32X7	S	35
19,00	32,00	32,20	8,00	A	221922	S	32	20,00	32,80	33,00	7,00	A	*20X33X7	S	32
19,00	32,80	33,00	8,00	A	*19X33X8	S	32	20,00	32,80	33,00	10,00	A	*20X33X10	S	32
19,00	33,30	33,50	7,00	A	*19X33.5X7	S	32	20,00	33,80	34,00	7,00	A	*20X34X7	S	32
19,00	33,80	34,00	7,00	A	*19X34X7	S	32	20,00	34,00	34,25	7,00	A	222028	S	32
19,00	34,80	35,00	7,00	A	*19X35X7	S	32	20,00	34,80	35,00	6,00	A	*20X35X6	S	32
19,00	34,80	35,00	8,00	A	*19X35X8	S	32	20,00	34,80	35,00	8,00	A	*20X35X8	S	32
19,00	34,93	35,00	8,00	A	710445	S	35	20,00	34,80	35,00	10,00	A	*20X35X10	S	32
19,00	35,00	35,23	10,00	A	19X35X10	S	35	20,00	35,00	35,20	7,00	A	*710280	V	32
19,00	35,00	35,23	10,00	A	710273	S	35	20,00	35,00	35,23	5,50	A	222030	S	32
19,00	35,80	36,00	7,00	A	*19X36X7	S	32	20,00	35,00	35,23	7,00	A	20X35X7	S	35
19,00	36,00	36,23	6,50	A	221925	S	35	20,00	35,80	36,00	8,00	A	*20X36X8	S	32
19,00	36,80	37,00	10,00	A	*19X37X10	S	32	20,00	35,80	36,00	10,00	A	*20X36X10	S	32
19,00	37,00	37,20	7,00	A	*19X37X7	S	32	20,00	35,80	36,00	12,00	A	*20X36X12	S	32
19,00	37,80	38,00	8,00	A	*19X38X8	S	32	20,00	36,00	36,20	7,00	A	20X36X7	S	32
19,00	37,80	38,00	10,00	A	*19X38X10	S	32	20,00	36,00	36,20	7,00	A	222036	V	32
19,00	38,00	38,20	7,00	A	*19X38X7	S	32	20,00	36,80	37,00	6,00	A	*20X37X6	S	32
19,00	38,00	38,20	7,00	A	710154	S	32	20,00	36,80	37,00	10,00	A	*20X37X10	S	32
19,00	39,80	40,00	7,00	A	*19X40X7	S	32	20,00	37,00	37,20	7,00	A	20X37X7	S	32
19,00	40,00	40,23	10,00	A	19X40X10	S	35	20,00	37,00	37,20	8,00	A	20X37X8	S	32
19,00	40,80	41,00	7,00	A	*19X41X7	S	32	20,00	37,50	37,70	7,00	A	*20X37.7X7	S	32
19,00	42,00	42,20	7,00	A	*19X42X7	S	32	20,00	37,80	38,00	5,00	A	*20X38X5	S	32
19,00	45,00	45,20	7,00	A	*19X45X7	S	32	20,00	37,80	38,00	8,00	A	*20X38X8	S	32
19,00	46,00	46,20	7,00	A	*19X46X7	S	32	20,00	37,80	38,00	10,00	A	*20X38X10	S	32
19,00	47,00	47,20	7,00	A	19X47X7	S	32	20,00	38,00	38,20	7,00	A	20X38X7	S	32
19,00	47,63	47,73	6,35	A	*43361	S	4S	20,00	38,80	39,00	6,00	A	*20X39X6	S	32
19,50	34,80	35,00	6,00	A	*19.5X35X6	S	32	20,00	38,80	39,00	6,50	A	*20X39.8X6.5	S	32
19,80	29,80	30,00	5,00	A	*19.8X30X5	S	32	20,00	39,60	39,80	6,50	A	*20X39.8X6.5	S	32
20,00	24,80	25,00	7,00	A	*20X25X7	S	32	20,00	39,80	40,00	8,00	A	*20X40X8	S	32
20,00	25,80	26,00	4,00	A	*20X26X4	S	32	20,00	39,80	40,00	9,00	A	*20X40X9	S	32
20,00	25,80	26,00	5,00	A	*20X26X5	S	32	20,00	39,80	40,00	12,00	A	*20X40X12	S	32
20,00	25,80	26,00	5,60	A	*20X26X5.6	S	32	20,00	40,00	40,20	7,00	A	*20X40X7V	V	32
20,00	26,00	26,20	4,00	A	710249	S	97	20,00	40,00	40,23	7,00	A	222050	S	35
20,00	26,80	27,00	5,00	A	*20X27X5	S	32	20,00	40,00	40,23	10,00	A	20X40X10	S	35
20,00	27,80	28,00	4,00	A	*20X28X4	S	32	20,00	40,00	40,30	5,70	A	*713029	N	#
20,00	27,80	28,00	7,00	A	*20X28X7	S	32	20,00	40,00	40,30	7,50	A	*713019	N	45
								20,00	41,05	41,25	7,00	A	*20X41.25X7	S	32
								20,00	41,80	42,00	6,00	A	*20X42X6	S	32
								20,00	41,80	42,00	8,00	A	*20X42X8	S	32
								20,00	42,00	42,15	10,00	A	20X42X10	S	32
								20,00	42,00	42,25	7,00	A	20X42X7	S	35
								20,00	42,00	42,25	7,00	A	*20X42X7V	V	35

METRIC SECTION

For Illustration and Material Data See Technical Section

Designed For A Specific Application - Not Recommended For General Use ➤ Hydrodynamic Lip Design-CW ◀ Hydrodynamic Lip Design-CCW

* The U.S. customer service number is 877-4-TIMKEN. The Canadian customer service numbers are 800-565-4927 (English) and 800-565-0438 (French-Canadian).

Shaft Size	Hsg. Bore	Seal O.D.	Seal Width	Grp.	Part No.	Lip Mat'l	Illus./ Type	Shaft Size	Hsg. Bore	Seal O.D.	Seal Width	Grp.	Part No.	Lip Mat'l	Illus./ Type
20,00	43,80	44,00	7,00	A	*20X44X7	S	32	22,00	34,80	35,00	8,00	A	*22X35X8	S	32
20,00	44,80	45,00	7,00	A	*20X45X7	S	32	22,00	34,80	35,00	9,00	A	*22X35X9	S	32
20,00	44,80	45,00	8,00	A	*20X45X8	S	32	22,00	34,80	35,00	10,00	A	*22X35X10	S	32
20,00	44,80	45,00	10,00	A	*20X45X10	S	32	22,00	35,00	35,20	7,00	A	*22X35X7V	V	35
20,00	44,80	45,00	12,00	A	*20X45X12	S	32	22,00	35,00	35,20	7,00	A	*713031	V	35
20,00	45,80	46,00	8,00	A	*20X46X8	S	32	22,00	35,00	35,23	7,00	A	222220	S	32
20,00	46,00	46,20	7,00	A	*20X46X7	S	32	22,00	35,00	35,23	7,00	A	22X35X7	S	35
20,00	46,80	47,00	6,00	A	*20X47X6	S	32	22,00	35,80	36,00	8,00	A	*22X36X8	S	32
20,00	46,80	47,00	8,00	A	*20X47X8	S	32	22,00	35,80	36,00	10,00	A	*22X36X10	S	32
20,00	46,80	47,00	9,00	A	*20X47X9	S	32	22,00	36,00	36,20	7,00	A	22X36X7	S	32
20,00	46,80	47,00	10,00	A	*20X47X10	S	32	22,00	36,80	37,00	6,00	A	*22X37X6	S	32
20,00	46,80	47,00	12,00	A	*20X47X12	S	32	22,00	37,00	37,23	7,00	A	22X37X7	S	35
20,00	46,80	47,00	13,00	A	*20X47X13	S	32	22,00	38,00	38,20	7,00	A	22X38X7	S	35
20,00	47,00	47,20	7,00	A	*20X47X7V	V	35	22,00	38,00	38,20	7,00	A	*22X38X7V	V	35
20,00	47,00	47,20	7,00	A	222060	S	35	22,00	38,00	38,20	8,00	A	22X38X8	S	32
20,00	47,00	47,20	8,50	A	710342	S	32	22,00	38,00	38,20	8,00	A	222238	S	32
20,00	47,00	47,22	7,00	A	20X47X7	S	35	22,00	38,80	39,00	7,00	A	*22X39X7	S	32
20,00	47,80	48,00	8,00	A	*20X48X8	S	32	22,00	38,80	40,00	4,00	A	*22X40X4	S	32
20,00	47,80	48,00	10,00	A	*20X48X10	S	32	22,00	39,80	40,00	10,00	A	*22X40X10	S	32
20,00	48,00	48,20	7,00	A	*20X48X7	S	32	22,00	39,80	40,00	11,00	A	*22X40X11	S	32
20,00	48,80	49,00	7,00	A	*20X49X7	S	32	22,00	39,80	40,00	12,00	A	*22X40X12	S	32
20,00	49,80	50,00	8,00	A	*20X50X8	S	32	22,00	40,00	40,18	16,00	A	*1163	S	#
20,00	49,80	50,00	10,00	A	*20X50X10	S	32	22,00	40,00	40,20	7,00	A	*22X40X7V	V	32
20,00	50,00	50,20	7,00	A	*20X50X7	S	32	22,00	40,00	40,20	7,50	A	*713032	N	45
20,00	51,75	52,00	8,00	A	*20X52X8	S	32	22,00	40,00	40,20	8,00	A	22X40X8	S	35
20,00	51,75	52,00	9,00	A	*20X52X9	S	32	22,00	40,00	40,23	7,00	A	22X40X7	S	35
20,00	51,75	52,00	10,00	A	*20X52X10	S	32	22,00	40,00	40,23	7,00	A	222240	S	35
20,00	51,75	52,00	12,00	A	*20X52X12	S	32	22,00	40,00	40,23	12,00	A	222242	N	32
20,00	52,00	52,20	7,00	A	20X52X7	S	35	22,00	40,00	40,34	7,75	A	1963	N	35
21,00	30,80	31,00	7,00	A	*21X31X7	S	32	22,00	41,05	41,25	6,00	A	*22X41.25X6	S	32
21,00	31,80	32,00	5,00	A	*21X32X5	S	32	22,00	41,30	41,50	6,00	A	*22X41.5X6	S	32
21,00	32,80	33,00	7,00	A	*21X33X7	S	32	22,00	41,80	42,00	6,00	A	*22X42X6	S	32
21,00	35,00	35,20	7,00	A	21X35X7	S	32	22,00	41,80	42,00	11,00	A	*22X42X11	S	32
21,00	35,00	35,20	8,00	A	21X35X8	S	32	22,00	42,00	42,20	7,00	A	22X42X7	S	32
21,00	36,00	36,20	8,00	A	*21X36X8	S	32	22,00	42,00	42,20	10,00	A	*22X42X10	S	35
21,00	36,80	37,00	5,50	A	*21X37X5.5	S	32	22,00	43,80	44,00	7,00	A	*22X44X7	S	32
21,00	36,80	37,00	7,00	A	*21X37X7	S	32	22,00	44,80	45,00	5,00	A	*22X45X5	S	32
21,00	37,00	37,20	8,00	A	*21X37X8	S	32	22,00	44,80	45,00	8,00	A	*22X45X8	S	32
21,00	38,00	38,20	8,00	A	*21X38X8	S	32	22,00	44,80	45,00	10,00	A	*22X45X10	S	32
21,00	39,80	40,00	7,00	A	*21X40X7	S	32	22,00	45,00	45,20	8,00	A	222267	H	32
21,00	40,00	40,20	8,00	A	*21X40X8	S	32	22,00	45,00	45,23	7,00	A	22X45X7	S	35
21,00	52,00	52,20	8,00	A	*21X52X8	S	32	22,00	46,00	46,20	8,00	A	*22X46X8	S	32
21,50	34,80	35,00	8,00	A	*21.5X35X8	S	32	22,00	46,80	47,00	10,00	A	*22X47X10	S	32
21,70	34,80	35,00	6,50	A	*21.7X35X6.5	S	32	22,00	47,00	47,23	7,00	A	222270	S	35
22,00	28,00	28,20	8,00	A	*22X28X8	S	32	22,00	47,00	47,23	7,00	A	22X47X7	S	35
22,00	29,80	30,00	7,00	A	*22X30X7	S	32	22,00	47,80	48,00	7,00	A	*22X48X7	S	32
22,00	29,80	30,00	8,00	A	*22X30X8	S	32	22,00	47,80	48,00	11,00	A	*22X48X11	S	32
22,00	30,80	31,00	7,00	A	*22X31X7	S	32	22,00	48,00	48,20	8,00	A	*22X48X8	S	32
22,00	31,00	31,20	6,00	A	22X31X6	S	32	22,00	49,80	50,00	5,00	A	*22X50X5	S	32
22,00	31,00	31,20	8,00	A	*22X31X8	S	32	22,00	49,80	50,00	10,00	A	*22X50X10	S	32
22,00	31,80	32,00	5,00	A	*22X32X5	S	32	22,00	50,00	50,20	8,00	A	*22X50X8	S	32
22,00	31,80	32,00	6,00	A	*22X32X6	S	32	22,00	51,75	52,00	10,00	A	*22X52X10	S	32
22,00	32,00	32,20	7,00	A	*22X32X7V	V	35	22,00	52,00	52,20	8,00	A	*22X52X8	S	32
22,00	32,00	32,23	7,00	A	222210	S	35	22,00	55,75	56,00	7,00	A	*22X56X7	S	32
22,00	32,00	32,23	7,00	A	22X32X7	S	35	23,00	31,80	32,00	5,50	A	710254	S	34
22,00	32,80	33,00	7,00	A	*22X33X7	S	32	23,00	32,00	32,20	5,00	A	222310	S	34
22,00	32,80	33,00	10,00	A	*22X33X10	S	32	23,00	34,00	34,23	6,50	A	710155	S	35
22,00	33,80	34,00	7,00	A	*22X34X7	S	32	23,00	34,00	34,23	8,00	A	222330	N	32
22,00	34,80	35,00	5,00	A	*22X35X5	S	32	23,00	35,00	35,20	7,00	A	*713033	V	#
								23,00	35,00	35,20	8,50	A	*713020	N	25

For Illustration and Material Data See Technical Section

Designed For A Specific Application - Not Recommended For General Use ▶ Hydrodynamic Lip Design-CW ◀ Hydrodynamic Lip Design-CCW

Metric List Sizes & Type

Shaft Size	Hsg. Bore	Seal O.D.	Seal Width	Grp.	Part No.	Lip Mat'l	Illus./ Type	Shaft Size	Hsg. Bore	Seal O.D.	Seal Width	Grp.	Part No.	Lip Mat'l	Illus./ Type
23,00	40,00	40,23	7,00	A	222340➔	N	32	25,00	31,80	32,00	4,00	A	*25X32X4	S	32
23,00	31,80	32,00	7,00	A	*23X32X7	S	32	25,00	31,80	32,00	6,00	A	*25X32X6	S	32
23,00	34,80	35,00	7,00	A	*23X35X7	S	32	25,00	31,80	32,00	7,00	A	*25X32X7	S	32
23,00	35,80	36,00	6,00	A	*23X36X6	S	32	25,00	32,80	33,00	6,00	A	*25X33X6	S	32
23,00	35,80	36,00	7,00	A	*23X36X7	S	32	25,00	33,80	34,00	5,00	A	*25X34X5	S	32
23,00	35,80	36,00	10,00	A	*23X36X10	S	32	25,00	34,80	35,00	5,00	A	*25X35X5	S	32
23,00	35,80	36,00	13,00	A	*23X36X13	S	32	25,00	34,80	35,00	8,00	A	*25X35X8	S	32
23,00	36,80	37,00	7,00	A	*23X37X7	S	32	25,00	34,80	35,00	8,50	A	*25X35X8.5	S	32
23,00	37,80	38,00	7,00	A	*23X38X7	S	32	25,00	34,80	35,00	9,00	A	*25X35X9	S	32
23,00	39,80	40,00	6,00	A	*23X40X6	S	32	25,00	34,80	35,00	10,00	A	*25X35X10	S	32
23,00	39,80	40,00	10,00	A	*23X40X10	S	32	25,00	35,00	35,10	7,00	A	*25X35X7V	V	48
23,00	40,00	40,10	7,50	A	*713030	N	45	25,00	35,00	35,20	6,00	A	25X35X6	S	32
23,00	41,80	42,00	7,00	A	*23X42X7	S	32	25,00	35,00	35,25	7,00	A	25X35X7	S	35
23,00	42,80	43,00	8,00	A	*23X43X8	S	32	25,00	35,00	35,25	7,00	A	222510	S	35
23,00	46,80	47,00	7,00	A	*23X47X7	S	32	25,00	35,00	35,25	7,00	A	712007	V	48
23,00	46,80	47,00	8,00	A	*23X47X8	S	32	25,00	35,80	36,00	6,00	A	*25X36X6	S	32
23,00	46,80	47,00	10,00	A	*23X47X10	S	32	25,00	36,00	36,23	7,00	A	25X36X7	S	32
24,00	31,80	32,00	4,00	A	*24X32X4	S	32	25,00	36,00	36,22	8,00	A	25X36X8	S	35
24,00	31,80	32,00	7,00	A	*24X32X7	S	32	25,00	36,80	37,00	5,00	A	*25X37X5	S	32
24,00	32,80	33,00	7,00	A	*24X33X7	S	32	25,00	36,80	37,00	6,00	A	*25X37X6	S	32
24,00	33,80	34,00	7,00	A	*24X34X7	S	32	25,00	36,80	37,00	8,00	A	*25X37X8	S	32
24,00	34,80	35,00	6,00	A	*24X35X6	S	32	25,00	37,00	37,20	5,00	A	*25X37X5V	V	35
24,00	34,80	35,00	8,00	A	*24X35X8	S	32	25,00	37,00	37,20	7,00	A	25X37X7	S	32
24,00	35,00	35,23	7,00	A	222410	S	35	25,00	37,00	37,26	7,00	A	320603➔	S	32
24,00	35,00	35,23	7,00	A	24X35X7	S	35	25,00	37,80	38,00	6,00	A	*25X38X6	S	32
24,00	35,80	36,00	7,00	A	*24X36X7	S	32	25,00	37,80	38,00	8,00	A	*25X38X8	S	32
24,00	35,80	36,00	8,00	A	*24X36X8	S	32	25,00	37,80	38,00	10,00	A	*25X38X10	S	32
24,00	36,00	36,20	7,00	A	*24X36X7V	V	35	25,00	38,00	38,20	7,00	A	*25X38X7V	V	35
24,00	37,00	37,23	7,00	A	24X37X7	S	35	25,00	38,00	38,23	7,00	A	25X38X7	S	35
24,00	37,80	38,00	8,00	A	*24X38X8	S	32	25,00	38,00	38,23	7,00	A	222535	S	32
24,00	37,80	38,00	8,50	A	*24X38X8.5	S	32	25,00	38,80	39,00	8,00	A	*25X39X8	S	32
24,00	37,80	38,00	10,00	A	*24X38X10	S	32	25,00	39,80	40,00	5,00	A	*25X40X5	S	32
24,00	38,00	38,20	7,00	A	24X38X7	S	32	25,00	39,80	40,00	6,00	A	*25X40X6	S	32
24,00	39,80	40,00	8,00	A	*24X40X8	S	32	25,00	39,80	40,00	6,00	A	*25X40X6	S	32
24,00	40,00	40,20	6,00	A	*24X40X6V	V	35	25,00	39,80	40,00	8,00	A	*25X40X8	S	32
24,00	40,00	40,23	7,00	A	222430	S	35	25,00	39,80	40,00	10,00	A	*25X40X10	S	32
24,00	40,00	40,23	7,00	A	24X40X7	S	35	25,00	39,80	40,00	11,00	A	*25X40X11	S	32
24,00	42,00	42,20	7,00	A	24X42X7	S	32	25,00	39,80	40,00	12,00	A	*25X40X12	S	32
24,00	42,00	42,25	8,00	A	*24X42X8	S	35	25,00	40,00	40,10	9,50	A	*450908	S	45
24,00	42,00	42,25	10,00	A	24X42X10	S	32	25,00	40,00	40,22	7,00	A	25X40X7	S	35
24,00	42,80	43,00	6,00	A	*24X43X6	S	32	25,00	40,00	40,20	7,00	A	*25X40X7V	V	35
24,00	42,80	43,00	7,00	A	*24X43X7	S	32	25,00	40,00	40,22	7,00	A	222540	S	47
24,00	43,00	43,23	8,00	A	222450	S	25	25,00	40,00	40,20	7,00	A	710307◄	N	32
24,00	44,80	45,00	6,00	A	*24X45X6	S	32	25,00	40,00	40,20	8,00	A	710316➔	S	32
24,00	44,80	45,00	7,00	A	*24X45X7	S	32	25,00	40,00	40,21	8,00	A	*324151	S	32
24,00	44,80	45,00	11,00	A	*24X45X11	S	32	25,00	40,00	40,31	8,00	A	*324151N	N	32
24,00	45,00	45,20	8,00	A	*24X45X8	S	32	25,00	40,00	40,31	8,00	A	*324151N	N	32
24,00	45,80	46,00	10,00	A	*24X46X10	S	32	24,99	40,54	40,64	6,35	A	712018	S	#
24,00	46,00	46,20	8,00	A	*24X46X8	S	32	25,00	40,80	41,00	6,00	A	*25X41X6	S	32
24,00	46,80	47,00	10,00	A	*24X47X10	S	32	25,00	40,80	41,00	7,00	A	*25X41X7	S	32
24,00	47,00	47,23	7,00	A	24X47X7	S	35	25,00	41,00	41,09	8,00	A	39867◄	T	W-H
24,00	47,80	48,00	7,00	A	*24X48X7	S	32	25,00	41,00	41,20	8,00	A	*25X41.2X8	S	32
24,00	48,00	48,20	8,00	A	*24X48X8	S	32	25,00	41,05	41,25	6,00	A	*25X41.25X6	S	32
24,00	48,80	49,00	12,00	A	*24X49X12	S	32	25,00	41,05	41,25	7,00	A	*25X41.25X7	S	32
24,00	50,00	50,20	8,00	A	*24X50X8	S	32	24,99	41,25	41,35	11,10	A	*450811	S	45
24,00	52,00	52,20	7,00	A	24X52X7	S	32	25,00	41,30	41,50	7,00	A	*25X41.5X7	S	32
24,00	76,72	77,00	18,00	A	*24X77X18	S	32	25,00	41,30	41,50	10,00	A	*25X41.5X10	S	32
								25,00	41,80	42,00	5,50	A	*25X42X5.5	S	32
								25,00	41,80	42,00	7,00	A	*25X42X7	S	32
								25,00	41,80	42,00	8,50	A	*25X42X8.5	S	32
								25,00	41,80	42,00	12,00	A	*25X42X12	S	32
								25,00	42,00	42,20	6,00	A	25X42X6	S	35
								25,00	42,00	42,20	7,00	A	*25X42X7V	V	32
								25,00	42,00	42,20	8,00	A	25X42X8	S	32
								25,00	42,00	42,30	8,00	A	222556➔	H	32

METRIC SECTION

For Illustration and Material Data See Technical Section

Designed For A Specific Application - Not Recommended For General Use ➔ Hydrodynamic Lip Design-CW ◄ Hydrodynamic Lip Design-CCW

* The U.S. customer service number is 877-4-TIMKEN. The Canadian customer service numbers are 800-565-4927 (English) and 800-565-0438 (French-Canadian).

Shaft Size	Hsg. Bore	Seal O.D.	Seal Width	Grp.	Part No.	Lip Mat'l	Illus./ Type	Shaft Size	Hsg. Bore	Seal O.D.	Seal Width	Grp.	Part No.	Lip Mat'l	Illus./ Type
25,00	42,00	42,28	10,00	A	25X42X10	S	35	25,00	71,75	72,00	8,00	A	*25X72X8	S	32
25,00	42,70	42,90	9,50	A	*25X42.9X9.5	S	32	25,00	79,72	80,00	10,00	A	*25X80X10	S	32
25,00	42,80	43,00	7,00	A	*25X43X7	S	32	25,50	38,50	38,70	8,50	A	710303	S	35
25,00	42,80	43,00	9,00	A	*25X43X9	S	32	25,70	34,80	35,00	7,00	A	*25.7X35X7	S	32
25,00	42,80	43,00	10,00	A	*25X43X10	S	32	26,00	34,80	35,00	7,00	A	*26X35X7	S	32
25,00	43,80	44,00	7,00	A	*25X44X7	S	32	26,00	35,80	36,00	5,00	A	*26X36X5	S	32
25,00	43,80	44,00	8,00	A	*25X44X8	S	32	26,00	35,80	36,00	7,00	A	*26X36X7	S	32
25,00	44,00	44,20	7,00	A	222558	S	32	26,00	36,80	37,00	8,00	A	*26X37X8	S	32
25,00	44,25	44,45	10,00	A	*25X44.45X10	S	32	26,00	37,00	37,20	7,00	A	26X37X7	S	32
25,00	44,80	45,00	7,00	A	*25X45X7	S	32	26,00	37,80	38,00	7,00	A	*26X38X7	S	32
25,00	44,80	45,00	9,00	A	*25X45X9	S	32	26,00	37,80	38,00	8,00	A	*26X38X8	S	32
25,00	44,80	45,00	10,00	A	*25X45X10	S	32	26,00	38,00	38,20	5,00	A	26X38X5	S	32
25,00	44,80	45,00	11,00	A	*25X45X11	S	32	26,00	38,00	38,20	8,00	A	222630	N	32
25,00	44,80	45,00	12,00	A	*25X45X12	S	32	26,00	39,80	40,00	8,00	A	*26X40X8	S	32
25,00	45,00	45,23	8,00	A	25X45X8	S	35	26,00	39,80	40,00	10,00	A	*26X40X10	S	32
25,00	46,00	46,20	7,00	A	25X46X7	S	32	26,00	40,00	40,20	7,00	A	26X40X7	S	32
25,00	46,00	46,20	8,00	A	*25X46X8	S	32	26,00	41,10	41,30	10,00	A	*26X41.3X10	S	32
25,00	46,80	47,00	6,00	A	*25X47X6	S	32	26,00	41,80	42,00	8,00	A	*26X42X8	S	32
25,00	46,80	47,00	8,00	A	*25X47X8	S	32	26,00	42,00	42,20	7,00	A	26X42X7	S	32
25,00	46,80	47,00	10,00	A	*25X47X10	S	32	26,00	42,00	42,20	8,00	A	710399	S	32
25,00	47,00	47,20	10,00	A	*713114	N	47	26,00	42,00	42,23	10,00	A	26X42X10	S	35
25,00	47,00	47,10	9,50	A	*482583	S	48	26,00	42,80	43,00	8,00	A	*26X43X8	S	32
25,00	47,00	47,20	10,00	A	*25X47X10V	V	35	26,00	43,80	44,00	7,00	A	*26X44X7	S	32
25,00	47,00	47,23	7,00	A	25X47X7	S	35	26,00	44,00	44,20	8,00	A	710153	S	#
25,00	47,80	48,00	7,00	A	*25X48X7	S	32	26,00	44,80	45,00	7,00	A	*26X45X7	S	32
25,00	47,80	48,00	10,00	A	*25X48X10	S	32	26,00	44,80	45,00	10,00	A	*26X45X10	S	32
25,00	48,00	48,20	8,00	A	25X48X8	S	32	26,00	45,00	45,20	8,00	A	*26X45X8	S	32
25,00	48,80	49,00	10,00	A	*25X49X10	S	32	26,00	46,00	46,20	8,00	A	*26X46X8	S	32
25,00	49,80	50,00	12,00	A	*25X50X12	S	32	26,00	46,80	47,00	6,00	A	*26X47X6	S	32
25,00	50,00	50,20	8,00	A	25X50X8	S	32	26,00	46,80	47,00	8,00	A	*26X47X8	S	32
25,00	50,00	50,20	10,00	A	*25X50X10V	V	35	26,00	46,80	47,00	10,00	A	*26X47X10	S	32
25,00	50,00	50,28	10,00	A	25X50X10	S	35	26,00	46,80	47,00	11,00	A	*26X47X11	S	32
25,00	51,75	52,00	9,50	A	*25X52X9.5	S	32	26,00	46,80	47,00	12,00	A	*26X47X12	S	32
25,00	51,75	52,00	12,00	A	*25X52X12	S	32	26,00	47,00	47,23	7,00	A	26X47X7	S	35
25,00	52,00	52,10	7,90	A	*472184	S	47	26,00	47,80	48,00	8,00	A	*26X48X8	S	32
25,00	52,00	52,20	7,00	A	*25X52X7V	V	35	26,00	48,00	48,23	7,00	A	26X48X7	S	32
25,00	52,00	52,20	8,00	A	25X52X8	S	35	26,00	48,00	48,23	7,00	A	222655	S	32
25,00	52,00	52,20	10,00	A	25X52X10	S	35	26,00	49,80	50,00	7,00	A	*26X50X7	S	32
25,00	52,00	52,27	7,00	A	25X52X7	S	35	26,00	49,80	50,00	10,00	A	*26X50X10	S	32
24,99	52,37	52,48	11,10	A	450693	S	45	26,00	50,00	50,20	8,00	A	*26X50X8	S	32
25,00	52,75	53,00	10,00	A	*25X53X10	S	32	26,00	51,75	52,00	7,00	A	*26X52X7	S	32
25,00	54,00	54,20	8,00	A	*25X54X8	S	32	26,00	52,00	52,20	8,00	A	26X52X8	S	32
25,00	54,75	55,00	10,00	A	*25X55X10	S	32	26,00	61,75	62,00	9,00	A	*26X62X9	S	32
25,00	54,75	55,00	12,00	A	*25X55X12	S	32	26,00	71,75	72,00	10,00	A	*26X72X10	S	32
25,00	55,00	55,20	8,00	A	*25X55X8	S	32	27,00	35,80	36,00	6,00	A	*27X36X6	S	32
25,00	56,00	56,20	8,00	A	*25X56X8	S	32	27,00	36,80	37,00	8,50	A	*27X37X8.5	S	32
25,00	57,75	58,00	10,00	A	*25X58X10	S	32	27,00	37,00	37,15	7,00	A	27X37X7	S	35
25,00	58,00	58,20	8,00	A	*25X58X8	S	32	27,00	37,00	37,20	7,00	A	*27X37X7V	V	35
25,00	59,75	60,00	10,00	A	*25X60X10	S	32	27,00	37,00	37,30	7,00	A	*713034	V	32
25,00	60,00	60,20	8,00	A	*25X60X8	S	32	27,00	37,80	38,00	5,00	A	*27X38X5	S	32
25,00	61,75	62,00	8,00	A	*25X62X8	S	32	27,00	37,80	38,00	6,00	A	*27X38X6	S	32
25,00	62,00	62,20	7,00	A	25X62X7	S	32	27,00	39,80	40,00	6,00	A	*27X40X6	S	32
25,00	62,00	62,20	7,00	A	*25X62X7V	V	35	27,00	39,80	40,00	7,00	A	*27X40X7	S	32
25,00	62,00	62,28	10,00	A	25X62X10	S	32	27,00	39,80	40,00	8,00	A	*27X40X8	S	32
25,00	62,00	62,28	10,00	A	222580	S	32	27,00	39,80	40,00	10,00	A	*27X40X10	S	32
25,00	64,75	65,00	10,00	A	*25X65X10	S	32	27,00	39,80	40,00	12,00	A	*27X40X12	S	32
25,00	65,75	66,00	8,50	A	*25X66X8.5	S	32								
25,00	69,75	70,00	10,00	A	*25X70X10	S	32								

For Illustration and Material Data See Technical Section

Designed For A Specific Application - Not Recommended For General Use ▶ Hydrodynamic Lip Design-CW

Metric List Sizes & Type

Shaft Size	Hsg. Bore	Seal O.D.	Seal Width	Grp.	Part No.	Lip Mat'l	Illus./ Type	Shaft Size	Hsg. Bore	Seal O.D.	Seal Width	Grp.	Part No.	Lip Mat'l	Illus./ Type
27,00	40,00	40,20	8,00	A	712009	V	32	28,00	43,80	44,00	8,00	A	*28X44X8	S	32
27,00	41,00	41,10	9,50	A	*1193	S	#	28,00	44,00	44,20	6,00	A	222835	N	32
27,00	41,80	42,00	5,00	A	*27X42X5	S	32	28,00	44,00	44,23	6,00	A	28X44X6	N	32
27,00	41,80	42,00	8,00	A	*27X42X8	S	32	28,00	44,80	45,00	7,00	A	*28X45X7	S	32
27,00	42,00	42,10	7,00	A	222742	V	48	28,00	44,80	45,00	8,70	A	*28X45X8.7	S	32
27,00	42,00	42,20	7,00	A	27X42X7	S	35	28,00	44,80	45,00	10,00	A	*28X45X10	S	32
27,00	42,00	42,23	10,00	A	27X42X10	S	35	28,00	45,00	45,20	7,00	A	*28X45X7V	V	35
27,00	42,80	43,00	9,00	A	*27X43X9	S	32	28,00	45,00	45,20	8,00	A	*28X45X8	S	32
27,00	43,00	43,20	8,00	A	27X43X8	S	32	28,00	46,00	46,20	8,00	A	*28X46X8	S	32
27,00	43,00	43,20	9,00	A	222743◀	H	32	28,00	46,80	47,00	6,00	A	*28X47X6	S	32
27,00	43,00	43,25	9,00	A	1990▶	N	32	28,00	46,80	47,00	9,00	A	*28X47X9	S	32
27,00	45,00	45,25	8,00	A	27X45X8	S	35	28,00	46,80	47,00	10,00	A	*28X47X10	S	32
27,00	45,00	45,25	9,00	A	222745▶	N	32	28,00	46,89	47,00	8,00	A	*333860	S	33
27,00	46,00	46,20	8,00	A	*27X46X8	S	32	28,00	47,00	47,20	7,00	A	*28X47X7V	V	35
27,00	46,80	47,00	7,00	A	*27X47X7	S	32	28,00	47,00	47,22	7,00	A	28X47X7	S	35
27,00	47,00	47,23	8,00	A	*27X47X8	S	35	28,00	47,00	47,22	8,00	A	*28X47X8	S	33
27,00	47,00	47,23	10,00	A	27X47X10	S	35	28,00	47,00	47,22	8,00	A	222860▶	N	32
27,00	48,00	48,20	8,00	A	*27X48X8	S	32	28,00	47,00	47,30	8,00	A	*713035	V	32
27,00	49,80	50,00	10,00	A	*27X50X10	S	32	28,00	47,00	47,30	8,00	A	*713036	V	35
27,00	50,00	50,20	8,00	A	*27X50X8	S	32	28,00	47,80	48,00	7,00	A	*28X48X7	S	32
27,00	52,00	52,20	8,00	A	27X52X8	S	35	28,00	47,80	48,00	11,00	A	*28X48X11	S	32
27,00	52,75	53,00	7,00	A	*27X53X7	S	32	28,00	48,00	48,20	8,00	A	28X48X8	S	32
27,60	39,80	40,00	5,50	A	*27.6X40X5.5	S	32	28,00	48,00	48,30	8,00	A	*713037	N	48
28,00	-	47,00	8,00	A	*713115	V	32	28,00	49,80	50,00	10,00	A	*28X50X10	S	32
28,00	34,80	35,00	5,00	A	*28X35X5	S	32	28,00	50,00	50,20	8,00	A	*28X50X8	S	32
28,00	34,80	35,00	7,00	A	*28X35X7	S	32	28,00	50,75	51,00	10,00	A	*28X51X10	S	32
28,00	34,80	35,00	10,00	A	*28X35X10	S	32	28,00	51,75	52,00	6,00	A	*28X52X6	S	32
28,00	35,80	36,00	7,00	A	*28X36X7	S	32	28,00	51,75	52,00	8,00	A	*28X52X8	S	32
28,00	37,80	38,00	5,00	A	*28X38X5	S	32	28,00	51,75	52,00	10,00	A	*28X52X10	S	32
28,00	37,80	38,00	8,00	A	*28X38X8	S	32	28,00	52,00	52,20	7,00	A	*28X52X7V	V	32
28,00	38,00	38,20	7,00	A	*713087	N	35	28,00	52,00	52,23	7,00	A	28X52X7	S	35
28,00	38,00	38,20	10,00	A	710347◀	S	32	28,00	55,75	56,00	6,00	A	*28X56X6	S	32
28,00	38,00	38,23	7,00	A	28X38X7	S	35	28,00	55,75	56,00	7,00	A	*28X56X7	S	32
28,00	38,00	38,25	7,00	A	712104▶	T	PDW	28,00	57,75	58,00	6,00	A	*28X58X6	S	32
28,00	39,80	40,00	9,00	A	*28X40X9	S	32	28,00	57,75	58,00	10,00	A	*28X58X10	S	32
28,00	39,80	40,00	10,00	A	*28X40X10	S	32	28,00	61,75	62,00	10,00	A	*28X62X10	S	32
28,00	40,00	40,20	7,00	A	*28X40X7V	V	35	28,50	39,30	39,50	9,50	A	*28.5X39.5X9.5	S	32
28,00	40,00	40,20	7,00	A	710325▶	S	32	28,60	39,80	40,00	8,00	A	*28.6X40X8	S	32
28,00	40,00	40,20	8,00	A	28X40X8	S	32	28,60	43,00	43,15	6,50	A	1989	S	47
28,00	40,00	40,26	7,00	A	28X40X7	S	35	29,00	42,80	43,00	8,00	A	*29X43X8	S	32
28,00	40,00	40,31	7,00	A	*1107	S	33	29,00	43,80	44,00	7,00	A	*29X44X7	S	32
28,00	40,00	40,34	7,00	A	222820	S	33	29,00	44,80	45,00	9,00	A	*29X45X9	S	32
28,00	41,00	41,10	8,00	A	39869▶	T	#	29,00	45,00	45,23	8,00	A	320595	S	32
28,00	41,00	41,27	7,00	A	222830◀	N	32	29,00	45,80	46,00	10,00	A	*29X46X10	S	32
28,00	41,05	41,25	6,00	A	*28X41.25X6	S	32	29,00	46,80	47,00	8,00	A	*29X47X8	S	32
28,00	41,30	41,50	8,00	A	*28X41.5X8	S	32	29,00	46,80	47,00	10,00	A	*29X47X10	S	32
28,00	41,80	42,00	6,00	A	*28X42X6	S	32	29,00	49,80	50,00	10,00	A	*29X50X10	S	32
28,00	41,80	42,00	7,00	A	*28X42X7	S	32	29,00	55,75	56,00	10,00	A	*29X56X10	S	32
28,00	41,80	42,00	10,00	A	*28X42X10	S	32	29,00	61,95	62,20	9,00	A	*29X62.2X9	S	32
28,00	42,00	42,20	8,00	A	712008	H	32	30,00	36,80	37,00	6,00	A	*30X37X6	S	32
28,00	42,00	42,20	10,00	A	*28X42X10V	V	35	30,00	37,00	37,30	3,50	A	710401	S	#
28,00	42,00	42,23	8,00	A	28X42X8	S	35	30,00	37,80	38,00	5,00	A	*30X38X5	S	32
28,00	42,30	42,50	8,00	A	*28X42.5X8	S	32	30,00	37,80	38,00	6,00	A	*30X38X6	S	32
28,00	42,50	42,72	8,00	A	710216	S	35	30,00	37,80	38,00	7,00	A	*30X38X7	S	32
28,00	42,80	43,00	6,00	A	*28X43X6	S	32	30,00	39,80	40,00	5,00	A	*30X40X5	S	32
28,00	42,80	43,00	10,00	A	*28X43X10	S	32	30,00	39,80	40,00	8,00	A	*30X40X8	S	32
28,00	43,00	43,23	7,00	A	710157▶	S	32	30,00	39,80	40,00	10,00	A	*30X40X10	S	32
28,00	43,00	43,23	8,00	A	710119	N	32	30,00	39,80	40,00	12,00	A	*30X40X12	S	32
28,00	43,80	44,00	7,00	A	*28X44X7	S	32	30,00	40,00	40,20	7,00	A	*30X40X7V	V	32

METRIC SECTION

For Illustration and Material Data See Technical Section

Designed For A Specific Application - Not Recommended For General Use ▶ Hydrodynamic Lip Design-CW ◀ Hydrodynamic Lip Design-CCW

* The U.S. customer service number is 877-4-TIMKEN. The Canadian customer service numbers are 800-565-4927 (English) and 800-565-0438 (French-Canadian).

Shaft Size	Hsg. Bore	Seal O.D.	Seal Width	Grp.	Part No.	Lip Mat'l	Illus./ Type	Shaft Size	Hsg. Bore	Seal O.D.	Seal Width	Grp.	Part No.	Lip Mat'l	Illus./ Type
30,00	40,00	40,23	7,00	A	30X40X7	S	35	30,00	50,75	51,00	10,00	A	*30X51X10	S	32
30,00	40,00	40,23	7,00	A	223005	S	48	30,00	51,75	52,00	8,00	A	*30X52X8	S	32
30,00	40,00	40,25	7,00	A	1129	S	35	30,00	51,75	52,00	10,00	A	*30X52X10	S	32
30,00	40,80	41,00	7,00	A	*30X41X7	S	32	30,00	51,75	52,00	11,00	A	*30X52X11	S	32
30,00	41,80	42,00	4,50	A	*30X42X4.5	S	32	30,00	51,75	52,00	12,00	A	*30X52X12	S	32
30,00	41,80	42,00	8,00	A	*30X42X8	S	32	30,00	52,00	52,18	7,00	A	223035	S	35
30,00	41,80	42,00	10,00	A	*30X42X10	S	32	30,00	52,00	52,20	7,00	A	*713044	N	32
30,00	42,00	42,20	7,00	A	30X42X7	S	35	30,00	52,00	52,20	7,00	A	*713045	V	35
30,00	42,00	42,20	7,00	A	*30X42X7V	V	32	30,00	52,00	52,20	7,00	A	*713157	V	32
30,00	42,00	42,20	7,00	A	223010	S	32	30,00	52,00	52,20	10,00	A	*30X52X10V	V	32
30,00	42,00	42,27	7,00	A	1970	S	35	30,00	52,00	52,23	7,00	A	30X52X7	S	35
30,00	42,00	42,30	7,00	A	*713039	N	32	30,00	52,00	52,80	7,00	A	*713004	N	32
30,00	42,00	42,30	7,00	A	*713040	V	32	30,00	52,00	52,30	13,50	A	*713002	N	32
30,00	42,80	43,00	7,00	A	*30X43X7	S	32	30,00	53,75	54,00	9,00	A	*30X54X9	S	32
30,00	42,80	43,00	8,00	A	*30X43X8	S	32	30,00	54,00	54,20	9,00	A	710267	S	32
30,00	42,80	43,00	8,50	A	*30X43X8.5	S	32	30,00	54,75	55,00	8,00	A	*30X55X8	S	32
30,00	42,80	43,00	9,00	A	*30X43X9	S	32	30,00	54,75	55,00	11,00	A	*30X55X11	S	32
30,00	43,00	43,30	8,00	A	*713041	S	48	30,00	54,75	55,00	12,00	A	*30X55X12	S	32
30,00	43,00	43,30	8,00	A	*713042	N	32	30,00	55,00	55,20	7,00	A	30X55X7	S	47
30,00	43,00	44,00	8,00	A	*713003	V	32	30,00	55,00	55,20	10,00	A	*30X55X10V	V	32
30,00	43,80	44,00	9,00	A	*30X44X9	S	32	30,00	55,00	55,28	10,00	A	30X55X10	S	35
30,00	43,80	44,00	10,00	A	*30X44X10	S	32	30,00	55,75	56,00	10,00	A	*30X56X10	S	32
30,00	44,00	44,20	7,00	A	223012	N	32	30,00	55,75	56,00	12,00	A	*30X56X12	S	32
30,00	44,00	44,28	7,00	A	30X44X7	S	25	30,00	56,00	56,20	8,00	A	30X56X8	S	35
30,00	44,00	44,30	8,00	A	*713043	V	32	30,00	56,75	57,00	10,00	A	*30X57X10	S	32
30,00	44,30	44,50	7,00	A	*30X44.5X7	S	32	30,00	57,75	58,00	10,00	A	*30X58X10	S	32
30,00	44,80	45,00	6,00	A	*30X45X6	S	32	30,00	58,00	58,09	9,50	A	3907	N	57
30,00	44,80	45,00	7,00	A	*30X45X7	S	32	30,00	58,00	58,20	8,00	A	*30X58X8	S	32
30,00	44,80	45,00	10,00	A	*30X45X10	S	32	30,00	58,00	63,50	13,90	A	*3607	N	57
30,00	44,80	45,00	13,00	A	*30X45X13	S	32	30,00	59,75	60,00	7,00	A	*30X60X7	S	32
30,00	45,00	45,22	5,00	A	30X45X5	S	32	30,00	59,75	60,00	10,00	A	*30X60X10	S	32
30,00	45,00	45,20	6,00	A	223014	S	32	30,00	60,00	60,20	8,00	A	*30X60X8	S	32
30,00	45,00	45,20	8,00	A	30X45X8	S	32	30,00	61,75	62,00	5,00	A	*30X62X5	S	32
30,00	45,00	45,20	8,00	A	*30X45X8V	V	35	30,00	61,75	62,00	8,00	A	*30X62X8	S	32
30,00	45,00	45,20	8,00	A	710359	S	#	30,00	61,75	62,00	9,00	A	*30X62X9	S	32
30,00	45,00	45,20	15,00	A	2016	S	#	30,00	61,75	62,00	10,00	A	*30X62X10	S	32
30,00	45,00	45,23	8,00	A	1981	S	35	30,00	61,75	62,00	11,00	A	*30X62X11	S	32
30,00	45,80	46,00	8,00	A	*30X46X8	S	32	30,00	61,75	62,00	12,00	A	*30X62X12	S	32
30,00	46,00	46,20	7,00	A	30X46X7	S	32	30,00	62,00	62,10	7,00	A	*473049V	V	47
30,00	46,00	46,23	7,00	A	223018	S	32	30,00	62,00	62,10	9,50	A	*471353	S	47
30,00	46,00	46,30	8,00	A	712001	N	32	30,00	62,00	62,15	6,35	A	*43493	S	4S
30,00	46,80	47,00	5,00	A	*30X47X5	S	32	30,00	62,00	62,20	7,00	A	*30X62X7V	V	35
30,00	46,80	47,00	6,00	A	*30X47X6	S	32	30,00	62,00	62,28	7,00	A	30X62X7	S	35
30,00	46,80	47,00	8,00	A	*30X47X8	S	32	30,00	64,75	65,00	10,00	A	*30X65X10	S	32
30,00	46,80	47,00	10,00	A	*30X47X10	S	32	30,00	65,00	65,20	8,00	A	*30X65X8	S	32
30,00	47,00	47,25	8,00	A	*713116	N	48	30,00	65,00	65,23	34,00	A	710065	S	#
30,00	47,00	47,20	7,00	A	*30X47X7V	V	32	30,00	67,75	68,00	10,00	A	*30X68X10	S	32
30,00	47,00	47,25	7,00	A	30X47X7	S	35	30,00	68,00	68,20	8,00	A	*30X68X8	S	32
30,00	47,00	47,25	8,00	A	223020	S	35	30,00	70,00	70,20	8,00	A	*30X70X8	S	32
30,00	47,80	48,00	7,00	A	*30X48X7	S	32	30,00	71,75	72,00	8,00	A	*30X72X8	S	32
30,00	47,80	48,00	10,00	A	*30X48X10	S	32	30,00	72,00	72,14	9,50	A	*470442V	V	47
30,00	48,00	48,28	8,00	A	30X48X8	S	35	30,00	72,00	72,20	7,00	A	30X72X7	S	47
30,00	48,00	48,30	8,00	A	714619	S	35	30,00	72,00	72,20	8,00	A	*30X72X8V	V	32
30,00	48,30	48,50	8,00	A	*30X48.5X8	S	32	30,00	72,00	72,27	10,00	A	30X72X10	S	35
30,00	48,80	49,00	8,00	A	*30X49X8	S	32	30,00	74,75	75,00	9,00	A	*30X75X9	S	32
30,00	49,80	50,00	10,00	A	*30X50X10	S	32	30,00	74,75	75,00	10,00	A	*30X75X10	S	32
30,00	49,80	50,00	11,00	A	*30X50X11	S	32	30,00	76,72	77,00	9,00	A	*30X77X9	S	32
30,00	49,80	50,00	11,00	A	*30X50X11	S	32	30,00	76,72	77,00	10,00	A	*30X77X10	S	32
30,00	49,80	50,00	12,00	A	*30X50X12	S	32	30,00	79,72	80,00	10,00	A	*30X80X10	S	32
30,00	50,00	50,20	8,00	A	30X50X8	S	48	30,20	42,00	42,10	6,00	A	710340	V	44
30,00	50,00	50,20	10,00	A	*30X50X10V	V	35								
30,00	50,00	50,23	7,00	A	30X50X7	S	35								
30,00	50,00	50,23	7,00	A	223050	S	32								
30,00	50,00	52,20	13,50	A	*713038	N	32								

For Illustration and Material Data See Technical Section

Designed For A Specific Application - Not Recommended For General Use ➔ Hydrodynamic Lip Design-CW ◀ Hydrodynamic Lip Design-CCW

◀➔ Hydrodynamic Lip Design-Bidirectional

* The U.S. customer service number is 877-4-TIMKEN. The Canadian customer service numbers are 800-565-4927 (English) and 800-565-0438 (French-Canadian).

Metric List Sizes & Type

Shaft Size	Hsg. Bore	Seal O.D.	Seal Width	Grp.	Part No.	Lip Mat'l	Illus./ Type	Shaft Size	Hsg. Bore	Seal O.D.	Seal Width	Grp.	Part No.	Lip Mat'l	Illus./ Type
30,50	51,75	52,00	8,00	A	*30.5X52X8	S	32	32,00	50,00	50,14	8,00	A	710164	V	48
31,00	42,00	42,20	8,00	A	710172	V	35	32,00	50,00	50,20	10,00	A	*32X50X10V	V	35
31,00	44,00	44,20	8,00	A	31X44X8	S	32	32,00	50,00	50,23	8,00	A	32X50X8	S	35
31,00	46,00	46,20	8,00	A	710332	N	32	32,00	50,00	50,23	8,00	A	223250	S	32
31,00	46,00	46,28	8,00	A	1121	V	32	32,00	50,00	50,23	8,00	A	710415	S	32
31,00	46,80	47,00	10,00	A	*31X47X10	S	32	32,00	51,75	52,00	8,00	A	*32X52X8	S	32
31,00	48,80	49,00	7,00	A	*31X49X7	S	32	32,00	51,75	52,00	10,00	A	*32X52X10	S	32
31,00	49,80	50,00	8,00	A	*31X50X8	S	32	32,00	51,75	52,00	11,00	A	*32X52X11	S	32
31,00	51,75	52,00	6,00	A	*31X52X6	S	32	32,00	51,75	52,00	12,00	A	*32X52X12	S	32
31,00	51,75	52,00	7,00	A	*31X52X7	S	32	32,00	52,00	52,20	7,00	A	*32X52X7V	V	35
32,00	39,80	40,00	7,00	A	*32X40X7	S	32	32,00	52,00	52,20	10,00	A	710306	S	32
32,00	39,80	40,00	10,00	A	*32X40X10	S	32	32,00	52,00	52,25	11,00	A	1167	N	32
32,00	40,00	40,15	5,00	A	223210	S	34	32,00	52,00	52,28	7,00	A	32X52X7	S	35
32,00	40,80	41,00	7,00	A	*32X41X7	S	32	32,00	52,00	52,28	7,00	A	223255	S	35
32,00	41,80	42,00	6,00	A	*32X42X6	S	32	32,00	52,00	52,28	11,00	A	223252	N	32
32,00	42,00	42,20	7,00	A	32X42X7	S	35	32,00	52,00	52,40	135,00	A	*713146	N	32
32,00	42,00	42,20	8,00	A	32X42X8	S	32	32,00	52,75	53,00	7,00	A	*32X53X7	S	32
32,00	42,00	42,20	8,00	A	710282	S	32	32,00	53,00	53,28	7,00	A	223253	N	32
32,00	42,00	42,20	10,00	A	223215	S	32	32,00	53,75	54,00	8,00	A	*32X54X8	S	32
32,00	43,00	43,20	7,00	A	32X43X7	S	32	32,00	54,00	54,20	10,00	A	2008&	S	#
32,00	43,00	43,20	7,00	A	710370	S	32	32,00	54,00	54,23	10,00	A	32X54X10	S	32
32,00	43,00	43,28	4,00	A	*4596	N	35	32,00	54,75	55,00	6,50	A	*32X55X6.5	S	32
32,00	43,80	44,00	5,00	A	*32X44X5	S	32	32,00	54,75	55,00	7,00	A	*32X55X7	S	32
32,00	43,80	44,00	6,00	A	*32X44X6	S	32	32,00	54,75	55,00	8,00	A	*32X55X8	S	32
32,00	43,80	44,00	7,00	A	*32X44X7	S	32	32,00	54,75	55,00	10,00	A	*32X55X10	S	32
32,00	43,80	44,00	8,00	A	*32X44X8	S	32	32,00	54,75	55,00	11,00	A	*32X55X11	S	32
32,00	43,80	44,00	8,00	A	*32X44X8	S	32	32,00	55,75	56,00	8,00	A	*32X56X8	S	32
32,00	43,80	44,00	9,00	A	*32X44X9	S	32	32,00	56,00	56,28	10,00	A	32X56X10	S	35
32,00	43,80	44,00	10,00	A	*32X44X10	S	32	32,00	57,75	58,00	10,00	A	*32X58X10	S	32
32,00	44,00	44,23	6,00	A	223220	N	32	32,00	57,75	58,00	12,00	A	*32X58X12	S	32
32,00	44,30	44,50	8,00	A	*32X44.5X8	S	32	32,00	58,00	58,20	8,00	A	32X58X8	S	32
32,00	44,30	44,50	10,00	A	*32X44.5X10	S	32	32,00	58,00	58,29	12,70	A	*1204	S	32
32,00	44,80	45,00	6,00	A	*32X45X6	S	32	32,00	60,00	60,20	8,00	A	32X60X8	S	32
32,00	44,80	45,00	6,50	A	*32X45X6.5	S	32	32,00	60,00	60,20	10,00	A	32X60X10	S	48
32,00	44,80	45,00	8,00	A	*32X45X8	S	32	32,00	61,75	62,00	10,00	A	*32X62X10	S	32
32,00	44,80	45,00	10,00	A	*32X45X10	S	32	32,00	61,75	62,00	12,00	A	*32X62X12	S	32
32,00	45,00	45,21	6,00	A	320348	V	32	32,00	62,00	62,20	8,00	A	32X62X8	S	32
32,00	45,00	45,23	7,00	A	223230	S	32	32,00	64,75	65,00	7,50	A	*32X65X7.5	S	32
32,00	45,00	45,23	7,00	A	32X45X7	S	32	32,00	64,75	65,00	8,00	A	*32X65X8	S	32
32,00	45,80	46,00	7,00	A	*32X46X7	S	32	32,00	64,75	65,00	10,00	A	*32X65X10	S	32
32,00	45,80	46,00	8,00	A	*32X46X8	S	32	32,00	69,75	70,00	8,00	A	*32X70X8	S	32
32,00	46,00	46,20	6,00	A	*324115N	N	32	32,00	69,75	70,00	11,00	A	*32X70X11	S	32
32,00	46,00	46,23	6,00	A	32X46X6	S	32	32,00	71,75	72,00	10,00	A	*32X72X10	S	32
32,00	46,00	46,23	6,00	A	223235	N	32	32,00	72,00	72,20	8,00	A	32X72X8	S	32
32,00	46,80	47,00	6,00	A	*32X47X6	S	32	33,00	43,80	44,00	7,00	A	*33X44X7	S	32
32,00	46,80	47,00	8,00	A	*32X47X8	S	32	33,00	43,80	44,00	8,00	A	*33X44X8	S	32
32,00	46,80	47,00	10,00	A	*32X47X10	S	32	33,00	44,00	44,18	7,00	A	710070	S	47
32,00	47,00	47,20	6,00	A	710310	N	32	33,00	44,80	45,00	8,00	A	*33X45X8	S	32
32,00	47,00	47,20	7,00	A	*32X47X7V	V	32	33,00	44,80	45,00	10,00	A	*33X45X10	S	32
32,00	47,00	47,20	8,00	A	*580387	S	32	33,00	45,80	46,00	7,00	A	*33X46X7	S	32
32,00	47,00	47,23	7,00	A	32X47X7	S	35	32,99	46,43	46,53	9,53	A	6370N	N	33
32,00	47,00	47,24	10,00	A	3476	N	32	33,00	46,80	47,00	8,00	A	*33X47X8	S	32
32,00	47,80	48,00	7,00	A	*32X48X7	S	32	33,00	47,00	47,20	8,00	A	223340	S	32
32,00	47,80	48,00	10,00	A	*32X48X10	S	32	33,00	47,10	47,30	7,00	A	*33X47.3X7	S	32
32,00	48,00	48,20	7,00	A	710327	S	32	33,00	47,80	48,00	6,00	A	*33X48X6	S	32
32,00	48,00	48,20	8,00	A	32X48X8	S	35	33,00	47,80	48,00	8,00	A	*33X48X8	S	32
32,00	48,00	48,20	8,00	A	*32X48X8V	V	35	33,00	49,00	49,23	8,00	A	710236	N	32
31,50	48,00	48,20	9,00	A	223240	N	40	33,00	49,80	50,00	6,00	A	*33X50X6	S	32
32,00	48,00	48,20	10,00	A	710317	S	32	33,00	49,80	50,00	7,00	A	*33X50X7	S	32
32,00	49,80	50,00	7,00	A	*32X50X7	S	32								
32,00	49,80	50,00	10,00	A	*32X50X10	S	32								

METRIC SECTION

For Illustration and Material Data See Technical Section

Designed For A Specific Application - Not Recommended For General Use ➔ Hydrodynamic Lip Design-CW ◀ Hydrodynamic Lip Design-CCW & Flanged O.D.

* The U.S. customer service number is 877-4-TIMKEN. The Canadian customer service numbers are 800-565-4927 (English) and 800-565-0438 (French-Canadian).

Shaft Size	Hsg. Bore	Seal O.D.	Seal Width	Grp.	Part No.	Lip Mat'l	Illus./ Type	Shaft Size	Hsg. Bore	Seal O.D.	Seal Width	Grp.	Part No.	Lip Mat'l	Illus./ Type
33,00	49,80	50,00	10,00	A	*33X50X10	S	32	34,00	63,00	63,09	9,00	A	710109◄►	N	40
33,00	50,00	50,20	7,00	A	710328	S	35	34,00	65,00	65,10	12,00	A	710151	S	47
33,00	50,00	50,25	12,00	A	33X50X12	S	32	34,00	69,75	70,00	10,00	A	*34X70X10	S	32
33,00	50,00	50,25	12,00	A	1168	S	32	34,00	71,75	72,00	10,00	A	*34X72X10	S	32
33,00	56,00	56,23	8,00	A	710132	N	#	34,00	71,75	72,00	12,00	A	*34X72X12	S	32
33,00	51,75	52,00	5,00	A	*33X52X5	S	32	34,50	71,00	71,10	42,00	A	710250	N	#
33,00	51,75	52,00	10,00	A	*33X52X10	S	32	35,00	41,80	42,00	6,00	A	*35X42X6	S	32
32,99	51,92	52,02	12,45	A	3348◄►	S	47	35,00	41,80	42,00	8,00	A	*35X42X8	S	32
33,00	52,00	52,25	6,00	A	33X52X6	S	32	35,00	43,80	44,00	7,00	A	*35X44X7	S	32
33,00	54,75	55,00	10,00	A	*33X55X10	S	32	35,00	44,00	44,10	7,00	A	710383	S	47
33,00	55,75	56,00	10,00	A	*33X56X10	S	32	35,00	44,80	45,00	6,00	A	*35X45X6	S	32
33,00	55,75	56,00	12,00	A	*33X56X12	S	32	35,00	44,80	45,00	8,00	A	*35X45X8	S	32
33,00	59,00	59,20	17,00	A	710124	N	#	35,00	44,80	45,00	10,00	A	*35X45X10	S	32
33,00	61,75	62,00	7,00	A	*33X62X7	S	32	35,00	44,80	45,00	12,00	A	*35X45X12	S	32
33,00	71,75	72,00	10,00	A	*33X72X10	S	32	35,00	45,00	45,15	7,00	A	35X45X7	S	35
33,00	89,90	89,60	40,00	A	5210⑤	N	35	35,00	45,80	46,00	10,00	A	*35X46X10	S	32
34,00	41,80	42,00	5,00	A	*34X42X5	S	32	35,00	46,30	46,50	8,00	A	*35X46.5X8	S	32
34,00	43,80	44,00	7,00	A	*34X44X7	S	32	35,00	46,80	47,00	7,50	A	*35X47X7.5	S	32
34,00	43,80	44,00	8,00	A	*34X44X8	S	32	35,00	46,80	47,00	8,00	A	*35X47X8	S	32
34,00	44,00	44,23	8,00	A	223400	N	32	35,00	46,80	47,00	10,00	A	*35X47X10	S	32
34,00	45,00	45,20	8,00	A	34X45X8	S	32	35,00	47,00	47,20	7,00	A	*35X47X7V	V	32
34,00	45,80	46,00	8,00	A	*34X46X8	S	32	35,00	47,00	47,23	7,00	A	223510	S	35
34,00	46,80	47,00	8,00	A	*34X47X8	S	32	35,00	47,00	47,23	7,00	A	35X47X7	S	35
34,00	46,80	47,00	9,00	A	*34X47X9	S	32	35,00	47,00	47,40	7,00	A	1172►	H	32
34,00	47,80	48,00	7,00	A	*34X48X7	S	32	35,00	47,80	48,00	7,00	A	*35X48X7	S	32
34,00	47,80	48,00	8,00	A	*34X48X8	S	32	35,00	47,80	48,00	9,00	A	*35X48X9	S	32
34,00	48,00	48,20	7,00	A	*580388►	S	32	35,00	47,80	48,00	10,00	A	*35X48X10	S	32
34,00	48,00	48,28	7,50	A	710416	S	35	35,00	48,00	48,21	7,60	A	320249►	V	32
34,00	48,00	48,28	7,50	A	223410	S	35	35,00	48,00	48,20	8,00	A	35X48X8	S	32
34,00	48,00	48,28	8,00	A	223420►	N	32	35,00	48,00	48,20	8,00	A	714436	S	32
34,00	49,80	50,00	7,00	A	*34X50X7	S	32	35,00	48,00	48,25	14,00	A	1215	N	#
34,00	49,80	50,00	8,00	A	*34X50X8	S	32	35,00	48,00	48,25	14,00	A	1215N	N	#
34,00	49,80	50,00	10,00	A	*34X50X10	S	32	35,00	48,00	48,28	15,00	A	710051&	S	86
34,00	49,80	50,00	12,00	A	*34X50X12	S	32	35,00	48,00	48,40	7,00	A	1108►	V	32
34,00	50,00	50,20	8,00	A	223430►	N	35	35,00	48,00	48,80	2,00	A	*713005	N	47
34,00	50,00	50,20	8,00	A	710417	N	35	35,00	48,80	49,00	6,00	A	*35X49X6	S	32
34,00	51,75	52,00	10,00	A	*34X52X10	S	32	35,00	48,80	49,00	8,00	A	*35X49X8	S	32
34,00	51,75	52,00	11,00	A	*34X52X11	S	32	35,00	49,00	49,30	8,00	A	710178	S	#
34,00	52,00	52,28	8,00	A	34X52X8	S	32	35,00	49,21	49,63	6,00	A	1987	N	33
34,00	52,75	53,00	8,00	A	*34X53X8	S	32	35,00	49,30	49,50	10,00	A	*35X49.5X10	S	32
34,00	53,00	53,28	8,00	A	710418	N	32	35,00	49,60	49,83	11,00	A	1940►	N	32
34,00	53,00	53,28	8,00	A	223440	N	32	35,00	49,80	50,00	9,00	A	*35X50X9	S	32
34,00	53,75	54,00	8,00	A	*34X54X8	S	32	35,00	49,80	50,00	10,00	A	*35X50X10	S	32
34,00	54,00	54,20	9,00	A	34X54X9	S	35	35,00	49,80	50,00	11,00	A	*35X50X11	S	32
34,00	54,00	54,25	9,00	A	710110◄►	N	40	35,00	50,00	50,20	7,00	A	35X50X7	S	35
34,00	54,75	55,00	11,00	A	*34X55X11	S	32	35,00	50,00	50,20	8,00	A	*35X50X8V	V	32
34,00	55,00	55,20	9,00	A	34X55X9	S	32	35,00	50,00	50,20	8,00	A	710329◄	H	32
34,00	56,00	56,20	8,00	A	*34X56X8	S	32	35,00	50,00	50,20	11,00	A	710324◄	S	32
34,00	57,75	58,00	10,00	A	*34X58X10	S	32	35,00	50,00	50,24	8,00	A	35X50X8	S	35
34,00	58,00	58,20	8,00	A	*34X58X8	S	32	35,00	50,00	50,24	8,00	A	223520	S	35
34,00	60,00	60,20	8,00	A	*34X60X8	S	32	35,00	50,00	50,25	10,00	A	*1980►	H	32
34,00	61,75	62,00	7,00	A	*34X62X7	S	32	35,00	50,00	50,24	12,00	A	*1169	N	32
34,00	61,75	62,00	14,00	A	*34X62X14	S	32	35,00	50,00	50,30	8,00	A	*713150	N	35
34,00	62,00	62,18	10,00	A	34X62X10	S	35	35,00	50,00	50,30	9,00	A	*713046	V	35
34,00	62,00	62,20	10,00	A	710422	S	35	35,00	50,00	50,28	11,50	A	710111◄	N	#
34,00	62,00	62,20	10,00	A	223462	S	35	35,00	50,00	50,34	7,00	A	3771►	H	35
								35,00	50,00	50,34	7,00	A	713771►	V	35
								35,00	50,00	50,80	10,00	A	*713006	N	47
								35,00	50,00	50,80	10,00	A	*713007	V	32
								35,00	50,75	51,00	7,00	A	*35X51X7	S	32
								35,00	50,75	51,00	8,00	A	*35X51X8	S	32
								35,00	50,75	51,00	10,00	A	*35X51X10	S	32
								35,00	51,75	52,00	9,00	A	*35X52X9	S	32

For Illustration and Material Data See Technical Section

► Designed For A Specific Application - Not Recommended For General Use ◄ Hydrodynamic Lip Design-CW ◄ Hydrodynamic Lip Design-CCW

◄► Hydrodynamic Lip Design-Bidirectional ⊗ Seal & Installation Sleeve & Flanged O.D.

* The U.S. customer service number is 877-4-TIMKEN. The Canadian customer service numbers are 800-565-4927 (English) and 800-565-0438 (French-Canadian).

Metric List Sizes & Type

Shaft Size	Hsg. Bore	Seal O.D.	Seal Width	Grp.	Part No.	Lip Mat'l	Illus./ Type	Shaft Size	Hsg. Bore	Seal O.D.	Seal Width	Grp.	Part No.	Lip Mat'l	Illus./ Type
35,00	51,75	52,00	10,00	A	*35X52X10	S	32	35,00	60,00	60,23	10,00	A	710424	S	35
35,00	51,75	52,00	11,00	A	*35X52X11	S	32	35,00	60,00	60,30	12,00	A	710201	S	47
35,00	51,75	52,00	12,00	A	*35X52X12	S	32	35,00	61,75	62,00	6,00	A	*35X62X6	S	32
35,00	52,00	52,10	7,90	A	*484063	S	48	35,00	61,75	62,00	8,00	A	*35X62X8	S	32
35,00	52,00	52,13	8,00	A	35X52X8	S	33	35,00	61,75	62,00	8,00	A	*35X62X8	S	32
35,00	52,00	52,13	8,00	A	223535	S	33	35,00	61,75	62,00	9,50	A	*35X62X9.5	S	32
35,00	52,00	52,13	8,00	A	*4052	N	47	35,00	61,75	62,00	11,00	A	*35X62X11	S	32
35,00	52,00	52,13	8,50	A	*1077	S	33	35,00	61,75	62,00	12,00	A	*35X62X12	S	32
35,00	52,00	52,20	7,00	A	35X52X7	S	35	35,00	62,00	62,20	7,00	A	*35X62X7V	V	35
35,00	52,00	52,25	10,00	A	1170	S	32	35,00	62,00	62,20	10,00	A	35X62X10	S	35
35,00	52,00	52,35	7,75	A	3655	N	32	35,00	62,00	62,28	7,00	A	35X62X7	S	35
35,00	52,00	52,35	7,75	A	713655	N	32	35,00	62,00	62,28	8,00	A	4901	N	40
35,00	53,26	53,67	7,75	A	4040N	N	32	35,00	62,00	62,28	9,00	A	223553	N	40
35,00	53,75	54,00	10,00	A	*35X54X10	S	32	35,00	62,00	62,28	9,50	A	223552	S	32
35,00	54,00	54,10	8,00	A	710217	S	#	35,00	63,00	63,20	9,00	A	710138	S	40
35,00	54,00	54,10	9,00	A	710199	N	#	35,00	63,00	63,28	10,00	A	710419	S	#
35,00	54,00	54,20	8,00	A	35X54X8	S	35	35,00	63,00	63,28	10,00	A	223554	S	#
35,00	54,00	54,20	8,00	A	710331	V	32	35,00	63,45	63,55	7,92	A	*6952S	S	#
35,00	54,00	54,20	10,00	A	*35X54X10V	V	35	35,00	63,50	63,83	11,05	A	7687S	S	#
35,00	54,00	54,30	8,00	A	1119	V	32	35,00	63,75	64,00	12,00	A	*35X64X12	S	32
35,00	54,75	55,00	7,00	A	*35X55X7	S	32	35,00	63,75	64,00	13,00	A	*35X64X13	S	32
35,00	54,75	55,00	9,00	A	*35X55X9	S	32	35,00	64,00	64,13	8,00	A	35X64X8	N	47
35,00	54,75	55,00	10,00	A	*35X55X10	S	32	35,00	64,00	64,13	8,00	A	223555	N	47
35,00	54,75	55,00	12,00	A	*35X55X12	S	32	35,00	64,00	64,14	9,50	A	*474125N	N	47
35,00	54,89	55,04	14,66	A	3543	H	57	35,00	64,75	65,00	12,00	A	*35X65X12	S	32
35,00	55,00	55,18	8,00	A	473823	S	47	35,00	65,00	65,20	8,00	A	35X65X8	S	32
35,00	55,00	55,20	10,00	A	*35X55X10V	V	32	35,00	65,00	65,20	10,00	A	35X65X10	S	32
35,00	55,00	55,20	10,00	A	*713117	N	47	35,00	65,00	65,20	12,00	A	710335	S	32
35,00	55,00	55,10	8,00	A	35X55X8	S	47	35,00	67,00	67,27	12,00	A	1173	N	32
35,00	55,00	55,23	11,00	A	35X55X11	S	32	35,00	67,75	68,00	6,00	A	*35X68X6	S	32
35,00	55,00	55,23	11,00	A	223542	N	32	35,00	68,00	68,16	9,00	A	223580	S	40
35,00	55,00	55,30	11,00	A	*1171	S	32	35,00	68,00	68,20	9,00	A	710336	N	40
35,00	55,00	55,45	8,00	A	223540	N	32	35,00	68,00	68,20	10,00	A	*35X68X10V	V	35
35,00	55,75	56,00	5,80	A	*35X56X5.8	S	32	35,00	68,00	68,23	10,00	A	*35X68X10	S	35
35,00	55,75	56,00	12,00	A	*35X56X12	S	32	35,00	68,00	68,23	12,50	A	*1140	N	32
35,00	56,00	56,10	16,00	A	710218	V	#	35,00	69,00	69,20	8,00	A	*35X69X8	S	32
35,00	56,00	56,20	8,00	A	35X56X8	S	35	35,00	69,75	70,00	10,00	A	*35X70X10	S	32
35,00	56,00	56,20	8,00	A	710314	N	40	35,00	70,00	70,20	8,00	A	35X70X8	S	32
35,00	56,00	56,20	8,00	A	710315	S	40	35,00	71,75	72,00	7,00	A	*35X72X7	S	32
35,00	56,00	56,20	9,00	A	710396	S	40	35,00	71,75	72,00	11,00	A	*35X72X11	S	32
35,00	56,00	56,20	10,00	A	*35X56X10V	V	35	35,00	71,75	72,00	12,00	A	*35X72X12	S	32
35,00	56,00	56,27	10,00	A	35X56X10	S	32	35,00	72,00	72,20	8,00	A	35X72X8	S	32
35,00	56,00	56,27	10,00	A	223543	S	32	35,00	72,00	72,20	10,00	A	*35X72X10V	V	35
35,00	56,00	56,27	10,00	A	*320857	S	32	35,00	72,00	72,28	10,00	A	35X72X10	S	35
35,00	56,00	56,30	9,00	A	2007	S	#	35,00	72,00	72,28	10,00	A	710360	S	35
35,00	56,00	56,30	9,00	A	2007N	S	#	35,00	74,75	75,00	8,00	A	*35X75X8	S	32
35,00	56,75	57,00	9,00	A	*35X57X9	S	32	35,00	76,00	76,28	9,00	A	1147	N	32
35,00	56,75	57,00	10,00	A	*35X57X10	S	32	35,00	76,00	76,30	12,50	A	1136	N	30
35,00	56,90	57,05	18,64	A	*4150N	N	#	35,00	78,00	78,20	8,00	A	*35X78X8	S	32
35,00	56,90	57,05	19,41	A	710096	N	74	35,00	79,72	80,00	10,00	A	*35X80X10	S	32
35,00	57,00	57,30	15,27	A	100165	S	#	35,00	79,72	80,00	12,00	A	*35X80X12	S	32
35,00	57,75	58,00	9,00	A	*35X58X9	S	32	35,00	79,72	80,00	13,00	A	*35X80X13	S	32
35,00	57,75	58,00	12,00	A	*35X58X12	S	32	35,00	80,00	80,20	8,00	A	35X80X8	S	32
35,00	57,75	58,00	13,00	A	*35X58X13	S	32	35,00	81,72	82,00	7,00	A	*35X82X7	S	32
35,00	57,75	58,00	18,00	A	*35X58X18	S	32	36,00	43,80	44,00	5,00	A	*36X44X5	S	32
35,00	58,00	58,10	10,00	A	223550	S	45	36,00	44,00	44,23	5,00	A	710252	S	32
35,00	58,00	58,14	11,90	A	*1086	S	33	36,00	45,80	46,00	6,00	A	*36X46X6	S	32
35,00	58,00	58,28	10,00	A	35X58X10	S	35	36,00	45,80	46,00	9,00	A	*36X46X9	S	32
35,00	58,00	58,80	10,00	A	*713008	N	47	36,00	46,00	46,10	9,00	A	710343	S	33
35,00	58,00	58,80	10,00	A	*713009	N	32								
35,00	58,75	59,00	12,00	A	*35X59X12	S	32								
35,00	59,75	60,00	8,00	A	*35X60X8	S	32								
35,00	59,75	60,00	11,00	A	*35X60X11	S	32								
35,00	59,75	60,00	12,00	A	*35X60X12	S	32								
35,00	60,00	60,23	10,00	A	35X60X10	S	35								
35,00	60,00	60,23	10,00	A	223551	S	35								

METRIC SECTION

For Illustration and Material Data See Technical Section

Designed For A Specific Application - Not Recommended For General Use ➔ Hydrodynamic Lip Design-CW ◀ Hydrodynamic Lip Design-CCW

◀➔ Hydrodynamic Lip Design-Bidirectional

* The U.S. customer service number is 877-4-TIMKEN. The Canadian customer service numbers are 800-565-4927 (English) and 800-565-0438 (French-Canadian).

Shaft Size	Hsg. Bore	Seal O.D.	Seal Width	Grp.	Part No.	Lip Mat'l	Illus./ Type	Shaft Size	Hsg. Bore	Seal O.D.	Seal Width	Grp.	Part No.	Lip Mat'l	Illus./ Type
36,00	46,80	47,00	8,00	A	*36X47X8	S	32	37,00	56,00	56,20	12,50	A	710259↔	V	32
36,00	47,00	47,20	7,00	A	36X47X7	S	35	37,00	56,75	57,00	10,00	A	*37X57X10	S	32
36,00	47,00	47,20	7,00	A	223601	S	35	37,00	57,75	58,00	7,00	A	*37X58X7	S	32
36,00	47,80	48,00	7,00	A	*36X48X7	S	32	37,00	57,75	58,00	10,00	A	*37X58X10	S	32
36,00	47,80	48,00	10,00	A	*36X48X10	S	32	37,00	57,75	58,00	13,00	A	*37X58X13	S	32
36,00	48,80	49,00	7,00	A	*36X49X7	S	32	37,00	58,00	58,10	10,00	A	710353➔	S	66
36,00	49,00	49,28	7,00	A	223602➔	N	32	37,00	62,00	62,23	10,00	A	710228	S	40
36,00	49,80	50,00	10,00	A	*36X50X10	S	32	37,00	63,75	64,00	13,00	A	*37X64X13	S	32
36,00	50,00	50,08	7,00	A	36X50X7	S	47	37,00	78,00	78,30	12,00	A	239134	S	#
36,00	50,00	50,08	7,00	A	223605	S	47	38,00	46,80	47,00	7,00	A	*38X47X7	S	32
36,00	50,00	50,08	7,00	A	*474097	S	47	38,00	47,00	47,10	7,00	A	223805	S	25
36,00	50,00	50,20	8,00	A	710341◀	S	32	38,00	47,00	47,25	8,00	A	*38X47X8	S	25
36,00	50,75	51,00	7,00	A	*36X51X7	S	32	38,00	47,80	48,00	6,00	A	*38X48X6	S	32
36,00	51,75	52,00	8,00	A	*36X52X8	S	32	38,00	47,80	48,00	7,00	A	*38X48X7	S	32
36,00	51,75	52,00	10,00	A	*36X52X10	S	32	38,00	47,80	48,00	10,00	A	*38X48X10	S	32
36,00	52,00	52,20	7,00	A	36X52X7	S	35	38,00	49,80	50,00	8,00	A	*38X50X8	S	32
36,00	52,00	52,20	7,00	A	*36X52X7V	V	32	38,00	49,80	50,00	10,00	A	*38X50X10	S	32
36,00	52,00	52,20	10,00	A	223608◀	S	32	38,00	50,00	50,20	7,00	A	*38X50X7V	V	35
36,00	53,75	54,00	7,00	A	*36X54X7	S	32	38,00	50,00	50,25	6,00	A	223802➔	N	32
36,00	53,75	54,00	10,00	A	*36X54X10	S	32	38,00	50,00	50,25	7,00	A	38X50X7	S	35
36,00	54,00	54,20	7,50	A	*36X54X8V	V	35	38,00	50,00	50,28	8,00	A	223801	S	32
36,00	54,00	54,20	7,50	A	36X54X7.5	S	35	38,00	50,00	50,28	10,50	A	223800➔	N	32
36,00	54,00	54,20	8,00	A	36X54X8	S	35	38,00	50,75	51,00	7,00	A	*38X51X7	S	32
36,00	54,00	54,28	7,00	A	710197	N	40	38,00	51,75	52,00	6,00	A	*38X52X6	S	32
36,00	54,00	54,28	7,50	A	223610	S	35	38,00	51,75	52,00	8,00	A	*38X52X8	S	32
36,00	54,75	55,00	10,00	A	*36X55X10	S	32	38,00	51,75	52,00	9,00	A	*38X52X9	S	32
36,00	54,75	55,00	12,00	A	*36X55X12	S	32	38,00	51,75	52,00	10,00	A	*38X52X10	S	32
36,00	55,00	55,09	6,50	A	2003	S	47	38,00	52,00	52,20	6,00	A	710309	S	#
36,00	55,00	55,09	6,50	A	2003N	S	47	38,00	52,00	52,20	7,00	A	38X52X7	S	32
36,00	55,00	55,09	6,50	A	*474113	S	47	38,00	52,00	52,20	7,00	A	*38X52X7V	V	35
36,00	55,00	55,12	9,50	A	*474121	S	47	38,00	52,00	52,20	9,00	A	239128	S	#
36,00	55,75	56,00	12,00	A	*36X56X12	S	32	38,00	52,00	52,25	6,00	A	1196	S	47
36,00	56,00	56,20	10,00	A	*713066	N	#	38,00	52,00	52,25	8,50	A	38X52X8.5	S	32
36,00	56,00	56,20	13,50	A	*713067	N	#	38,00	52,00	52,25	8,50	A	1174	S	32
36,00	56,00	56,25	10,00	A	36X56X10	S	35	38,00	52,00	52,25	8,50	A	*320833	S	32
36,00	56,00	56,80	9,00	A	*713010	V	25	38,00	52,00	52,30	8,00	A	1966➔	H	35
36,00	58,00	58,25	8,00	A	36X58X8	S	47	38,00	52,00	52,30	10,00	A	*713047	S	48
36,00	58,00	58,23	12,00	A	36X58X12	S	35	38,00	52,04	52,15	6,35	A	3357&	S	283
36,00	58,00	58,30	8,00	A	474288	S	47	38,00	52,27	52,40	6,35	A	482415	S	48
36,00	59,75	60,00	6,00	A	*36X60X6	S	32	38,00	52,35	52,60	6,00	A	*38X52.6X6	S	32
36,00	60,00	60,20	7,00	A	36X60X7	S	32	38,00	52,91	53,01	8,26	A	*293751	S	29
36,00	60,00	60,20	8,00	A	1965	V	48	38,00	53,00	53,20	8,00	A	38X53X8	S	32
36,00	61,75	62,00	10,00	A	*36X62X10	S	32	38,00	53,00	53,30	8,00	A	1120◀	V	32
36,00	62,00	62,28	7,00	A	36X62X7	S	32	38,00	54,00	54,10	25,00	A	39875➔	T	#
36,00	63,25	63,50	13,00	A	*36X63.5X13	S	32	38,00	54,00	54,18	7,00	A	38X54X7	S	48
36,00	64,00	64,20	11,00	A	710152	S	#	38,00	54,00	54,18	10,00	A	38X54X10	S	32
36,00	65,00	65,20	8,00	A	710057	S	48	38,00	54,00	54,20	10,00	A	*38X54X10V	V	35
36,00	68,00	68,18	8,00	A	223620➔	S	48	38,00	54,00	54,30	7,00	A	239146	S	48
36,00	68,00	68,28	10,00	A	36X68X10	S	35	38,00	54,75	55,00	6,00	A	*38X55X6	S	32
36,00	70,00	70,20	8,00	A	*36X70X8	S	32	38,00	54,75	55,00	8,00	A	*38X55X8	S	32
36,00	72,00	72,20	8,00	A	*36X72X8	S	32	38,00	54,75	55,00	9,00	A	*38X55X9	S	32
36,50	61,75	62,00	7,00	A	*36.5X62X7	S	32	38,00	54,75	55,00	10,00	A	*38X55X10	S	32
37,00	46,80	47,00	10,00	A	*37X47X10	S	32	38,00	55,00	55,23	7,00	A	38X55X7	N	35
37,00	50,00	50,25	6,00	A	223750➔	N	32	38,00	55,00	55,28	7,00	A	223830	N	35
37,00	50,50	50,70	7,00	A	710355➔	N	32	38,00	55,00	55,30	9,00	A	223831➔	N	32
37,00	52,00	52,15	6,00	A	710149	S	#	38,00	55,75	56,00	7,00	A	*38X56X7	S	32
37,00	52,00	52,28	8,00	A	37X52X8	S	35	38,00	55,75	56,00	12,00	A	*38X56X12	S	32
37,00	52,75	53,00	7,00	A	*37X53X7	S	32	38,00	56,00	56,20	10,00	A	*38X56X10V	V	35
37,00	54,75	55,00	8,00	A	*37X55X8	S	32	38,00	56,00	56,28	10,00	A	38X56X10	S	35
								38,00	56,00	56,30	13,50	A	*713048	N	47
								38,00	56,75	57,00	10,00	A	*38X57X10	S	32
								38,00	57,75	58,00	7,00	A	*38X58X7	S	32
								38,00	57,75	58,00	10,00	A	*38X58X10	S	32

For Illustration and Material Data See Technical Section

Designed For A Specific Application - Not Recommended For General Use ➔ Hydrodynamic Lip Design-CW ◀ Hydrodynamic Lip Design-CCW

↔ Hydrodynamic Lip Design-Bidirectional & Flanged O.D.

* The U.S. customer service number is 877-4-TIMKEN. The Canadian customer service numbers are 800-565-4927 (English) and 800-565-0438 (French-Canadian).

Metric List Sizes & Type

Shaft Size	Hsg. Bore	Seal O.D.	Seal Width	Grp.	Part No.	Lip Mat'l	Illus./ Type	Shaft Size	Hsg. Bore	Seal O.D.	Seal Width	Grp.	Part No.	Lip Mat'l	Illus./ Type
38,00	57,75	58,00	11,00	A	*38X58X11	S	32	39,00	58,75	59,00	8,00	A	*39X59X8	S	32
38,00	58,00	58,10	11,00	A	710319	S	47	39,00	59,00	59,28	11,00	A	710214	N	40
38,00	58,00	58,11	8,00	A	38X58X8	S	47	39,00	59,00	59,30	11,00	A	710118	S	40
38,00	58,00	58,11	8,00	A	223840	S	47	39,00	64,75	65,00	8,00	A	*39X65X8	S	32
38,00	58,00	58,11	8,00	A	223842	V	48	39,60	51,75	52,00	11,00	A	*39.6X52X11	S	32
38,00	58,00	58,11	8,00	A	*474119	S	47	40,00	49,80	50,00	5,00	A	*40X50X5	S	32
38,00	58,00	58,20	10,00	A	710139	N	#	40,00	49,80	50,00	6,50	A	*40X50X6.5	S	32
38,00	58,00	58,25	11,00	A	1175➔	S	32	40,00	49,80	50,00	7,00	A	*40X50X7	S	32
38,00	59,00	59,30	9,00	A	1038➔	N	32	40,00	49,80	50,00	10,00	A	*40X50X10	S	32
38,00	59,75	60,00	9,00	A	*38X60X9	S	32	40,00	50,00	50,20	8,00	A	40X50X8	S	35
38,00	60,00	60,20	8,00	A	38X60X8	S	32	40,00	51,75	52,00	6,00	A	*40X52X6	S	32
38,00	60,00	60,20	10,00	A	*38X60X10V	V	35	40,00	51,75	52,00	8,00	A	*40X52X8	S	32
38,00	60,00	60,35	10,00	A	38X60X10	S	35	40,00	51,75	52,00	9,00	A	*40X52X9	S	32
38,00	60,00	60,35	10,00	A	223843	S	35	40,00	51,75	52,00	10,00	A	*40X52X10	S	32
38,00	60,25	60,50	12,00	A	*38X60.5X12	S	32	40,00	52,00	52,12	7,50	A	*3967	S	#
38,00	61,75	62,00	9,00	A	*38X62X9	S	32	40,00	52,00	52,12	8,00	A	*3609	S	47
38,00	61,75	62,00	10,00	A	*38X62X10	S	32	40,00	52,00	52,12	8,50	A	1962&	S	78
38,00	61,75	62,00	12,00	A	*38X62X12	S	32	40,00	52,00	52,20	6,00	A	710308➔	S	32
38,00	62,00	62,10	6,00	A	710224	S	49	40,00	52,00	52,20	6,50	A	239201&	S	32
38,00	62,00	62,20	7,00	A	*38X62X7V	V	32	40,00	52,00	52,20	7,00	A	*40X52X7V	V	32
38,00	62,00	62,24	13,00	A	710209	N	#	40,00	52,00	52,22	9,00	A	4175	S	#
38,00	62,00	62,28	7,00	A	38X62X7	S	35	40,00	52,00	52,25	6,00	A	1178	S	32
38,00	63,00	63,12	10,00	A	2009	N	#	40,00	52,00	52,25	7,00	A	40X52X7	S	35
38,00	63,25	63,50	10,00	A	*38X63.5X10	S	32	40,00	52,00	52,28	7,00	A	224010	S	35
38,00	64,75	65,00	10,00	A	*38X65X10	S	32	40,00	52,00	52,28	7,00	A	224015	S	32
38,00	64,75	65,00	11,00	A	*38X65X11	S	32	40,00	52,00	52,28	7,00	A	224052➔	H	32
38,00	64,75	65,00	13,00	A	*38X65X13	S	32	40,00	52,00	52,28	9,00	A	1217&	N	35
38,00	65,00	65,20	8,00	A	38X65X8	S	32	40,00	52,75	53,00	8,00	A	*40X53X8	S	32
38,00	65,00	65,20	8,00	A	710435	S	32	40,00	53,75	54,00	7,00	A	*40X54X7	S	32
38,00	65,00	65,27	12,00	A	1176	N	#	40,00	53,75	54,00	8,00	A	*40X54X8	S	32
38,00	68,00	68,20	8,00	A	38X68X8	S	32	40,00	53,75	54,00	10,00	A	*40X54X10	S	32
38,00	68,00	68,20	8,00	A	710165	S	#	40,00	53,90	54,00	6,00	A	710444◀	S	32
38,00	68,00	68,20	10,00	A	38X68X10	S	32	40,00	54,00	54,10	5,50	A	1213	S	47
38,00	70,00	70,20	10,00	A	38X70X10	S	35	40,00	54,00	54,10	5,50	A	1213N	S	47
38,00	71,75	72,00	12,00	A	*38X72X12	S	32	40,00	54,00	54,10	8,00	A	710311	S	25
38,00	72,00	72,20	10,00	A	38X72X10	S	35	40,00	54,00	54,20	5,50	A	40X54X6	S	47
38,00	74,00	74,20	8,00	A	38X74X8	S	32	40,00	54,00	54,20	10,00	A	710287◀➔	N	32
38,00	74,00	74,20	11,00	A	38X74X11	N	32	40,00	54,75	55,00	7,00	A	*40X55X7	S	32
38,00	74,00	74,27	11,00	A	1177	N	32	40,00	54,75	55,00	10,00	A	*40X55X10	S	32
38,00	74,00	74,27	11,00	A	*320834	S	32	40,00	54,89	55,00	13,00	A	710443	N	#
38,00	75,00	75,20	8,00	A	*38X75X8	S	32	40,00	55,00	55,09	8,00	A	473677	S	47
38,00	78,00	78,20	8,00	A	*38X78X8	S	32	40,00	55,00	55,09	8,00	A	*476677	S	47
38,00	79,72	80,00	10,00	A	*38X80X10	S	32	40,00	55,00	55,17	9,60	A	3392◀➔	S	47
38,00	80,00	80,20	8,00	A	*38X80X8	S	32	40,00	55,00	55,20	6,50	A	40X55X6	S	35
38,00	90,00	90,20	8,00	A	*38X90X8	S	32	40,00	55,00	55,20	7,00	A	*713155	V	32
38,50	53,00	53,23	8,00	A	710233➔	N	32	40,00	55,00	55,20	8,00	A	*40X55X8V	V	32
38,50	58,00	58,20	8,50	A	710318➔	N	32	40,00	55,00	55,28	8,00	A	40X55X8	S	35
39,00	50,00	50,29	11,00	A	710120	N	#	40,00	55,00	55,28	9,00	A	224020➔	S	32
39,00	50,50	50,75	8,50	A	1126	S	25	40,00	55,75	56,00	8,00	A	*40X56X8	S	32
39,00	50,75	51,00	7,50	A	*39X51X7.5	S	32	40,00	55,75	56,00	8,00	A	*40X56X8	S	32
39,00	50,80	51,00	7,50	A	1128	S	35	40,00	56,00	56,10	8,00	A	*713118	N	47
39,00	52,00	52,10	6,00	A	710338	S	66	40,00	56,00	56,20	7,00	A	40X56X7	S	32
39,00	52,00	52,10	11,30	A	1205N	S	47	40,00	56,00	56,20	7,00	A	*713049	V	32
39,00	52,00	52,30	11,30	A	1205	S	47	40,00	56,00	56,20	7,00	A	*713158➔	S	48
39,00	54,00	54,10	6,00	A	710404	S	49	40,00	56,00	56,20	7,00	A	*713159➔	S	41
39,00	54,75	55,00	9,00	A	*39X55X9	S	32	40,00	56,00	56,20	8,00	A	*40X56X8V	V	35
39,00	55,00	55,11	7,50	A	710158	S	40	40,00	56,00	56,20	9,00	A	710300	S	#
39,00	55,75	56,00	7,00	A	*39X56X7	S	32	40,00	56,00	56,20	10,00	A	40X56X10	S	35
39,00	57,00	57,20	17,00	A	710123	N	40	40,00	56,00	56,25	7,00	A	224025➔	N	32
39,00	57,00	57,20	21,50	A	710122	N	40	40,00	56,00	56,26	7,00	A	*350612	V	35
39,00	57,00	57,38	9,65	A	324204➔	V	32	40,00	56,00	56,26	8,00	A	712551	S	32
								40,00	56,00	56,26	9,00	A	224026	V	35
								40,00	56,00	56,80	10,00	A	*713011	N	47
								40,00	56,00	56,80	10,00	A	*713012	V	32

METRIC SECTION

For Illustration and Material Data See Technical Section

Designed For A Specific Application - Not Recommended For General Use ➔ Hydrodynamic Lip Design-CW ◀ Hydrodynamic Lip Design-CCW

◀➔ Hydrodynamic Lip Design-Bidirectional & Flanged O.D.

* The U.S. customer service number is 877-4-TIMKEN. The Canadian customer service numbers are 800-565-4927 (English) and 800-565-0438 (French-Canadian).

Shaft Size	Hsg. Bore	Seal O.D.	Seal Width	Grp.	Part No.	Lip Mat'l	Illus./ Type	Shaft Size	Hsg. Bore	Seal O.D.	Seal Width	Grp.	Part No.	Lip Mat'l	Illus./ Type
40,00	56,75	57,00	7,00	A	*40X57X7	S	32	40,00	73,75	74,00	10,00	A	*40X74X10	S	32
40,00	56,90	57,15	10,00	A	*40X57.15X10	S	32	40,00	74,00	74,12	10,00	A	474133	S	47
40,00	57,00	57,20	10,00	A	40X57X10	S	32	40,00	74,00	74,20	8,00	A	*40X74X8	S	32
40,00	57,00	57,20	10,00	A	710432	S	32	40,00	74,75	75,00	10,00	A	*40X75X10	S	32
40,00	57,75	58,00	6,50	A	*40X58X6.5	S	32	40,00	74,75	75,00	13,00	A	*40X75X13	S	32
40,00	58,00	58,14	9,00	A	3459◀▶	N	74	40,00	75,00	75,20	8,00	A	40X75X8	S	32
40,00	58,00	58,20	8,00	A	40X58X8	S	35	40,00	75,00	75,20	12,00	A	712011	S	32
40,00	58,00	58,20	10,00	A	*40X58X10V	V	35	40,00	75,00	75,26	12,00	A	2011▶	N	40
40,00	58,00	58,28	10,00	A	40X58X10	S	32	40,00	75,00	75,26	18,00	A	712020◀	N	32
40,00	58,00	58,30	10,00	A	*713154	N	48	40,00	75,00	75,30	12,00	A	*710050	S	32
40,00	58,75	59,00	10,00	A	*40X59X10	S	32	40,00	75,00	75,30	12,00	A	710113	S	#
40,00	59,75	60,00	7,00	A	*40X60X7	S	32	40,00	75,75	76,00	8,00	A	*40X76X8	S	32
40,00	59,75	60,00	12,00	A	*40X60X12	S	32	40,00	76,00	76,25	8,00	A	1036▶	S	40
40,00	60,00	60,20	8,00	A	710147	S	#	40,00	76,00	76,28	12,50	A	1146◀	N	32
40,00	60,00	60,20	10,00	A	224040	S	35	40,00	78,00	78,20	10,00	A	40X78X10	S	35
40,00	60,00	60,20	10,00	A	40X60X10	S	35	40,00	78,00	78,80	8,00	A	40X78X8	S	32
40,00	60,00	60,20	10,00	A	*40X60X10V	V	35	40,00	79,72	80,00	7,00	A	*40X80X7	S	32
40,00	60,00	60,20	10,00	A	*1078	S	33	40,00	79,72	80,00	12,00	A	*40X80X12	S	32
40,00	61,75	62,00	9,00	A	*40X62X9	S	32	40,00	80,00	80,20	10,00	A	*40X80X10V	V	32
40,00	61,75	62,00	10,00	A	*40X62X10	S	32	40,00	80,00	80,28	10,00	A	40X80X10	S	35
40,00	61,75	62,00	11,00	A	*40X62X11	S	32	40,00	80,22	80,50	10,00	A	*40X80.5X10	S	32
40,00	61,75	62,00	11,50	A	*40X62X11.5	S	32	40,00	82,00	82,20	8,00	A	*40X82X8	S	32
40,00	62,00	62,20	7,00	A	40X62X7	S	35	40,00	82,00	82,20	8,00	A	*40X82X8	S	32
40,00	62,00	62,20	7,00	A	*40X62X7V	V	32	40,00	85,00	85,20	8,00	A	*40X85X8	S	32
40,00	62,00	62,20	9,00	A	710131	S	#	40,00	88,00	88,20	8,00	A	*40X88X8	S	32
40,00	62,00	62,20	10,00	A	*713021	N	25	40,00	89,72	90,00	10,00	A	*40X90X10	S	32
40,00	62,00	62,25	8,00	A	40X62X8	S	32	40,00	89,72	90,00	12,00	A	*40X90X12	S	32
40,00	62,00	62,25	10,00	A	*1179	S	#	40,00	90,00	90,20	8,00	A	40X90X8	S	35
40,00	62,00	62,25	11,50	A	40X62X12	S	35	41,00	50,75	51,00	5,00	A	*41X51X5	S	32
40,00	62,00	62,27	10,00	A	710196	V	32	41,00	52,75	53,00	7,00	A	*41X53X7	S	32
40,00	62,00	62,27	11,00	A	224045	S	32	41,00	53,00	53,25	7,00	A	1950	S	41
40,00	62,00	62,30	6,50	A	710227	S	#	41,00	53,75	54,00	7,00	A	*41X54X7	S	32
40,00	62,25	62,50	11,00	A	*40X62.5X11	S	32	41,00	54,00	54,23	7,00	A	224150	N	35
40,00	62,75	63,00	7,00	A	*40X63X7	S	32	41,00	55,00	55,29	7,00	A	41X55X7	S	32
40,00	63,00	63,30	8,00	A	224063▶	N	32	41,00	55,00	55,29	7,00	A	1180	S	32
40,00	63,25	63,50	10,00	A	*40X63.5X10	S	32	41,00	55,45	55,70	9,00	A	*41X55.7X9	S	32
40,00	63,75	64,00	10,00	A	*40X64X10	S	32	41,00	56,00	56,25	7,00	A	41X56X7	S	35
40,00	63,75	64,00	12,00	A	*40X64X12	S	32	41,00	56,00	56,25	7,00	A	1181	S	35
40,00	64,00	64,00	11,98	A	1216&	N	74	41,00	59,00	59,10	10,00	A	710114▶	N	98
40,00	64,00	64,10	12,00	A	1216N&	N	74	41,00	61,00	61,20	10,00	A	710141◀	N	#
40,00	64,00	64,10	12,00	A	710326	S	66	41,00	62,00	62,20	8,00	A	*41X62X8	S	32
40,00	64,75	65,00	8,00	A	*40X65X8	S	32	41,00	62,00	62,23	9,00	A	710220▶	N	32
40,00	64,75	65,00	12,00	A	*40X65X12	S	32	41,00	62,00	62,20	9,00	A	710220▶	N	32
40,01	65,00	65,13	9,53	A	474161	S	47	41,00	63,00	63,20	9,00	A	710291◀	N	40
40,00	65,00	65,20	20,00	A	710134	S	#	41,00	63,75	64,00	10,00	A	*41X64X10	S	32
40,00	65,00	65,28	10,00	A	40X65X10	S	35	41,00	68,00	68,20	13,00	A	710402	S	#
40,00	65,00	65,28	10,00	A	224100	S	35	41,70	54,75	55,00	7,00	A	*41.7X55X7	S	32
40,00	66,00	66,30	8,00	A	224066▶	N	40	41,70	54,75	55,00	10,00	A	*41.7X55X10	S	32
40,00	67,75	68,00	7,00	A	*40X68X7	S	32	42,00	49,80	50,00	6,00	A	*42X50X6	S	32
40,00	67,75	68,00	10,00	A	*40X68X10	S	32	42,00	49,80	50,00	7,00	A	*42X50X7	S	32
40,00	68,00	68,10	9,00	A	224068	N	40	42,00	51,75	52,00	4,00	A	*42X52X4	S	32
40,00	68,00	68,25	12,00	A	40X68X12	S	35	42,00	51,75	52,00	6,00	A	*42X52X6	S	32
40,00	68,00	68,80	8,00	A	40X68X8	S	35	42,00	51,75	52,00	7,00	A	*42X52X7	S	32
40,00	69,75	70,00	10,00	A	*40X70X10	S	32	42,00	53,75	54,00	7,00	A	*42X54X7	S	32
40,00	69,75	70,00	12,00	A	*40X70X12	S	32	42,00	54,75	55,00	9,00	A	*42X55X9	S	32
40,00	70,00	70,20	8,00	A	40X70X8	S	32	42,00	54,89	55,00	8,00	A	1214	S	47
40,00	71,75	72,00	10,00	A	*40X72X10	S	32	42,00	54,89	55,00	8,00	A	1214N	S	47
40,00	71,75	72,00	12,00	A	*40X72X12	S	32	42,00	55,00	55,12	8,00	A	3051▶	H	33
40,00	72,00	72,35	7,00	A	40X72X7	S	35	42,00	55,00	55,12	8,00	A	3051N▶	H	33
40,00	72,00	72,35	7,00	A	350572	V	35	42,00	55,00	55,20	7,00	A	42X55X7	S	32
40,00	73,00	73,10	10,00	A	710284	N	#	42,00	55,00	55,20	7,50	A	224200	S	32

For Illustration and Material Data See Technical Section

Designed For A Specific Application - Not Recommended For General Use ▶ Hydrodynamic Lip Design-CW ◀ Hydrodynamic Lip Design-CCW

◀▶ Hydrodynamic Lip Design-Bidirectional & Flanged O.D.

* The U.S. customer service number is 877-4-TIMKEN. The Canadian customer service numbers are 800-565-4927 (English) and 800-565-0438 (French-Canadian).

Metric List Sizes & Type

Shaft Size	Hsg. Bore	Seal O.D.	Seal Width	Grp.	Part No.	Lip Mat'l	Illus./ Type	Shaft Size	Hsg. Bore	Seal O.D.	Seal Width	Grp.	Part No.	Lip Mat'l	Illus./ Type
42,00	55,00	55,20	8,00	A	*42X55X8V	V	35	42,00	66,00	66,28	10,00	A	224266	S	32
42,00	55,00	55,28	8,00	A	224210	S	35	42,00	67,00	67,13	7,16	A	4615V➔	V	83
42,00	55,00	55,28	8,00	A	42X55X8	S	35	42,00	67,00	67,20	10,00	A	710286◄➔	N	32
42,00	55,00	55,33	9,00	A	224205➔	N	32	42,00	68,00	68,20	8,00	A	42X68X8	S	32
								42,00	68,00	68,20	10,00	A	42X68X10	S	32
42,00	55,75	56,00	6,00	A	*42X56X6	S	32								
42,00	55,75	56,00	10,00	A	*42X56X10	S	32	42,00	69,75	70,00	8,00	A	*42X70X8	S	32
								42,00	69,75	70,00	12,00	A	*42X70X12	S	32
42,00	56,00	56,10	14,00	A	710221	N	#								
42,00	56,00	56,13	7,00	A	42X56X7	S	32	42,00	70,00	70,20	10,00	A	42X70X10	S	32
42,00	56,00	56,13	7,00	A	*1944➔	H	32	42,00	72,00	72,20	8,00	A	42X72X8	S	32
42,00	56,00	56,16	7,00	A	473560N➔	N	47	42,00	72,00	72,20	10,00	A	*42X72X10V	V	35
42,00	56,00	56,21	6,00	A	710097	S	#	42,00	72,00	72,27	10,00	A	42X72X10	S	32
42,00	56,00	56,20	7,00	A	*42X56X7V	V	35	42,00	72,00	72,27	10,00	A	224270	S	35
42,00	56,00	56,21	7,00	A	224220	S	49	42,00	72,00	72,28	10,00	A	710207	S	40
42,00	56,00	56,20	7,00	A	710386➔	H	32	42,00	74,00	74,30	10,00	A	*713120	S	#
42,00	56,00	56,28	7,00	A	494117	S	49								
42,00	56,00	56,30	7,00	A	*713050	V	32	42,00	74,75	75,00	10,00	A	*42X75X10	S	32
42,00	56,00	56,34	7,00	A	3774➔	H	35	42,00	74,75	75,00	12,00	A	*42X75X12	S	32
42,00	56,00	56,80	7,00	A	*713013	S	25								
42,00	56,30	56,44	8,00	A	710186	S	#	42,00	75,00	75,20	8,00	A	*42X75X8	S	32
42,00	56,50	56,70	8,00	A	710244	S	#								
42,00	57,15	57,35	10,00	A	*713014	S	48	42,00	75,75	76,00	12,00	A	*42X76X12	S	32
								42,00	76,00	76,10	14,00	A	710245➔	N	#
42,00	57,75	58,00	8,00	A	*42X58X8	S	32	42,00	76,00	76,28	12,00	A	710195	S	40
42,00	57,75	58,00	10,00	A	*42X58X10	S	32								
								42,00	77,72	78,00	10,00	A	*42X78X10	S	32
42,00	58,00	58,10	7,00	A	42X58X7	S	48								
42,00	58,00	58,10	10,00	A	*2000	S	33	42,00	78,00	78,20	8,00	A	*42X78X8	S	32
42,00	58,00	58,17	7,00	A	474241V➔	V	47	42,00	80,00	80,20	8,00	A	42X80X8	S	32
42,00	58,00	58,18	7,00	A	224235	S	48	42,00	80,00	80,20	10,00	A	42X80X10	S	35
42,00	58,00	58,28	8,00	A	224215◄	N	32	42,00	90,00	90,09	9,00	A	710133	N	#
42,00	59,00	59,10	7,00	A	710442➔	N	48	42,00	90,00	90,28	12,00	A	710246	N	#
42,00	59,75	60,00	8,00	A	*42X60X8	S	32	42,90	61,75	62,00	8,00	A	*42.9X62X8	S	32
42,00	59,75	60,00	9,00	A	*42X60X9	S	32								
42,00	59,75	60,00	10,00	A	*42X60X10	S	32	43,00	49,80	50,00	7,00	A	*43X50X7	S	32
42,00	59,75	60,00	12,00	A	*42X60X12	S	32								
								43,00	54,00	54,10	6,50	A	224400	S	25
42,00	60,00	60,20	10,00	A	*42X60X10V	V	35	43,00	54,00	54,10	7,50	A	334111	S	33
42,00	60,00	60,22	7,00	A	42X60X7	S	32								
42,00	60,00	60,22	7,00	A	*320563	V	32	43,00	54,75	55,00	9,00	A	*43X55X9	S	32
42,00	60,00	60,22	7,00	A	*323715	S	32								
42,00	60,00	60,22	7,04	A	1953	N	32	43,00	55,00	55,20	6,00	A	2012➔	V	32
42,00	60,00	60,42	7,00	A	2025	V	32	43,00	55,00	55,20	6,00	A	2012V➔	V	32
								43,00	55,00	55,20	8,00	A	710264➔	H	32
42,00	61,75	62,00	7,00	A	*42X62X7	S	32	43,00	55,00	55,20	8,00	A	43X55X8	S	32
42,00	61,75	62,00	10,00	A	*42X62X10	S	32	43,00	55,00	55,25	8,00	A	1183	S	34
42,00	61,75	62,00	12,00	A	*42X62X12	S	32	43,00	57,00	57,20	8,00	A	*43X57X8	S	32
42,00	62,00	62,30	8,00	A	*713119	N	47	43,00	57,75	58,00	8,00	A	*43X58X8	S	32
42,00	62,00	62,10	12,00	A	710403	S	#								
42,00	62,00	62,20	7,00	A	710301	S	97	43,00	58,47	58,62	7,50	A	710159	S	#
42,00	62,00	62,20	8,00	A	*42X62X8V	V	32	43,00	60,00	60,30	8,00	A	320583➔	S	32
42,00	62,00	62,20	8,00	A	710408	N	32								
42,00	62,00	62,27	8,00	A	224250	S	35	43,00	61,75	62,00	8,00	A	*43X62X8	S	32
42,00	62,00	62,27	8,00	A	42X62X8	S	35	43,00	61,75	62,00	12,00	A	*43X62X12	S	32
42,00	62,00	62,27	10,00	A	*1946	S	35								
42,00	62,00	62,27	10,00	A	224252	S	32	43,00	62,00	62,10	9,50	A	224320	S	47
								43,00	62,00	62,10	9,50	A	*474137	S	47
42,00	62,75	63,00	7,00	A	*42X63X7	S	32	43,00	65,00	65,20	8,00	A	43X65X8	S	32
								43,00	65,04	65,14	9,50	A	710387	S	47
42,00	63,00	63,20	9,00	A	710298➔	N	40								
42,00	63,00	63,30	7,00	A	*713051	N	48	43,00	65,75	66,00	10,00	A	*43X66X10	S	32
42,00	63,75	64,00	8,00	A	*42X64X8	S	32	43,00	69,00	69,20	8,00	A	*43X69X8	S	32
								43,00	70,00	70,20	9,00	A	710142	S	#
42,00	64,00	64,18	6,00	A	224254	S	34	43,00	73,00	73,20	8,00	A	*43X73X8	S	32
42,00	64,75	65,00	7,50	A	*42X65X7.5	S	32	43,50	61,75	62,00	6,50	A	*43.5X62X6.5	S	32
42,00	64,75	65,00	9,00	A	*42X65X9	S	32								
42,00	64,75	65,00	12,00	A	*42X65X12	S	32	44,00	53,75	54,00	7,00	A	*44X54X7	S	32
42,00	64,80	65,00	13,50	A	710179➔	S	32	44,00	58,00	58,20	8,00	A	*44X58X8	S	32
42,00	65,00	65,15	10,00	A	42X65X10	N	47	44,00	59,00	59,23	6,80	A	224450➔	N	35
42,00	65,00	65,15	10,00	A	224255	N	47								
42,00	65,00	65,20	10,00	A	*42X65X10V	V	35	44,00	60,00	60,20	7,00	A	44X60X7	S	32
42,00	65,00	65,30	12,00	A	*713081	N	32	44,00	60,00	60,20	10,00	A	44X60X10	S	35
42,00	65,05	65,15	9,50	A	*474135N	N	47	44,00	60,00	60,28	10,00	A	224460➔	H	35

METRIC SECTION

For Illustration and Material Data See Technical Section

Designed For A Specific Application - Not Recommended For General Use ➔ Hydrodynamic Lip Design-CW ◄ Hydrodynamic Lip Design-CCW

◄➔ Hydrodynamic Lip Design-Bidirectional

* The U.S. customer service number is 877-4-TIMKEN. The Canadian customer service numbers are 800-565-4927 (English) and 800-565-0438 (French-Canadian).

Shaft Size	Hsg. Bore	Seal O.D.	Seal Width	Grp.	Part No.	Lip Mat'l	Illus./ Type	Shaft Size	Hsg. Bore	Seal O.D.	Seal Width	Grp.	Part No.	Lip Mat'l	Illus./ Type
44,00	61,75	62,00	7,00	A	*44X62X7	S	32	45,00	63,25	63,50	10,00	A	*45X63.5X10	S	32
44,00	61,75	62,00	10,00	A	*44X62X10	S	32	45,00	63,75	64,00	7,00	A	*45X64X7	S	32
44,00	62,00	62,26	8,00	A	44X62X8◄►	S	32	45,00	63,75	64,00	10,00	A	*45X64X10	S	32
44,00	62,00	62,26	8,00	A	224462◄►	S	32	45,00	64,00	64,11	11,86	A	1951&	S	87
44,00	62,00	62,28	10,00	A	224464◄	N	32	45,00	64,00	64,11	16,40	A	*3966	S	#
44,00	64,75	65,00	11,00	A	*44X65X11	S	32	45,00	64,00	64,26	13,00	A	1939	S	#
44,00	65,00	65,20	11,00	A	224465►	S	32	45,00	64,00	64,25	19,00	A	1938	S	#
44,00	65,00	65,28	10,00	A	44X65X10	S	35	45,00	64,00	64,30	12,00	A	*713121	S	47
44,00	66,00	66,10	6,00	A	710223	S	#	45,00	64,75	65,00	7,00	A	*45X65X7	S	32
44,00	68,00	68,30	8,00	A	350609◄	N	35	45,00	64,75	65,00	9,00	A	*45X65X9	S	32
44,00	69,75	70,00	12,00	A	*44X70X12	S	32	45,00	64,75	65,00	10,00	A	*45X65X10	S	32
44,00	70,00	70,20	8,00	A	44X70X8	S	32	45,00	64,75	65,00	12,00	A	*45X65X12	S	32
44,00	72,00	72,11	10,00	A	44X72X10	S	35	45,00	65,00	65,10	5,00	A	1992	S	47
44,00	72,00	72,11	10,00	A	224470	S	35	45,00	65,00	65,10	5,00	A	*3985	S	#
44,00	80,00	80,12	8,00	A	710115◄►	S	98	45,00	65,00	65,20	8,00	A	*45X65X8V	V	35
44,00	90,00	90,10	9,00	A	710283	N	#	45,00	65,00	65,28	8,00	A	45X65X8	S	35
44,00	92,00	92,28	12,50	A	710208	S	#	45,00	65,00	65,28	8,00	A	224550	S	35
44,50	61,75	62,00	10,00	A	*44.5X62X10	S	32	45,00	65,00	65,30	10,00	A	*713122	N	48
45,00	53,75	54,00	4,50	A	*45X54X4.5	S	32	45,00	65,00	65,30	10,00	A	*713153	V	32
45,00	54,75	55,00	5,00	A	*45X55X5	S	32	45,00	65,75	66,00	10,00	A	*45X66X10	S	32
45,00	54,75	55,00	7,00	A	*45X55X7	S	32	45,00	66,00	66,24	7,50	A	710160	S	#
45,00	54,75	55,00	8,00	A	*45X55X8	S	32	45,00	66,00	66,30	10,00	A	*713055	N	48
45,00	54,75	55,00	10,00	A	*45X55X10	S	32	45,00	67,00	67,20	8,00	A	710289►	S	32
45,00	55,75	56,00	6,00	A	*45X56X6	S	32	45,00	67,75	68,00	8,00	A	*45X68X8	S	32
45,00	55,75	56,00	8,00	A	*45X56X8	S	32	45,00	67,75	68,00	9,00	A	*45X68X9	S	32
45,00	56,75	57,00	5,50	A	*45X57X5.5	S	32	45,00	67,75	68,00	10,00	A	*45X68X10	S	32
45,00	56,75	57,00	9,00	A	*45X57X9	S	32	45,00	67,75	68,00	12,00	A	*45X68X12	S	32
45,00	57,75	58,00	8,00	A	*45X58X8	S	32	45,00	68,00	68,20	10,00	A	*45X68X10V	V	35
45,00	57,75	58,00	10,00	A	*45X58X10	S	32	45,00	68,00	68,20	12,00	A	710345►	S	32
45,00	58,00	58,28	7,00	A	45X58X7	S	35	45,00	68,00	68,28	7,00	A	45X68X7	S	32
45,00	58,00	58,30	7,00	A	224510	S	32	45,00	68,00	68,28	7,00	A	224560	S	32
45,00	58,75	59,00	7,00	A	*45X59X7	S	32	45,00	68,00	68,28	7,00	A	320564	V	32
45,00	58,75	59,00	10,00	A	*45X59X10	S	32	45,00	68,05	68,30	7,00	A	*45X68.3X7	S	32
45,00	59,00	59,28	7,50	A	710193	S	32	45,00	69,75	70,00	12,00	A	*45X70X12	S	32
45,00	59,75	60,00	9,00	A	*45X60X9	S	32	45,00	70,00	70,18	10,00	A	45X70X10	S	32
45,00	59,75	60,00	12,00	A	*45X60X12	S	32	45,00	71,75	72,00	8,00	A	*45X72X8	S	32
45,00	60,00	60,20	7,00	A	45X60X7	S	35	45,00	72,00	72,20	8,00	A	*45X72X8V	V	32
45,00	60,00	60,20	8,00	A	45X60X8	S	35	45,00	72,00	72,20	10,00	A	45X72X10	S	35
45,00	60,00	60,20	8,00	A	*45X60X8V	V	35	45,00	72,00	72,20	12,00	A	710270	N	32
45,00	60,00	60,25	10,00	A	45X60X10	S	35	45,00	72,00	72,25	10,00	A	45X72X9S	S	32
45,00	60,00	60,25	10,00	A	*1184	N	35	45,00	72,00	72,28	7,00	A	45X72X7	S	35
45,00	60,00	60,25	10,00	A	224520	S	35	45,00	72,00	72,28	12,00	A	45X72X12	S	35
45,00	60,00	60,25	10,80	A	2440►	N	69	45,00	72,00	72,28	12,00	A	224570	S	35
45,00	61,00	61,16	9,00	A	*484236V	V	48	45,00	72,20	72,34	7,50	A	1943	S	44
45,00	61,75	62,00	7,00	A	*45X62X7	S	32	45,00	72,20	72,34	7,50	A	*444118	S	44
45,00	61,75	62,00	9,00	A	*45X62X9	S	32	45,00	74,25	74,50	12,00	A	*45X74.5X12	S	32
45,00	61,75	62,00	10,00	A	*45X62X10	S	32	45,00	74,75	75,00	8,00	A	*45X75X8	S	32
45,00	61,75	62,00	12,00	A	*45X62X12	S	32	45,00	74,75	75,00	10,00	A	*45X75X10	S	32
45,00	61,75	62,00	12,00	A	*45X62X12	S	32	45,00	74,75	75,00	12,00	A	*45X75X12	S	32
45,00	61,90	62,00	10,00	A	*323871	S	32	45,00	75,00	75,10	12,00	A	1979►	N	47
45,00	62,00	62,10	6,00	A	494122	S	49	45,00	75,00	75,20	7,00	A	45X75X7	S	32
45,00	62,00	62,10	9,00	A	710321	S	47	45,00	75,00	75,20	10,00	A	*45X75X10V	V	32
45,00	62,00	62,10	10,16	A	*1997	S	#	45,00	75,00	75,30	12,00	A	*713123	V	32
45,00	62,00	62,15	8,00	A	710078	V	47	45,00	77,72	78,00	12,00	A	*45X78X12	S	32
45,00	62,00	62,20	8,00	A	*45X62X8V	V	35	45,00	78,00	78,10	11,00	A	710248►	N	66
45,00	62,00	62,30	8,00	A	45X62X8	S	35	45,00	78,00	78,10	11,00	A	710248►	N	66
45,00	62,00	62,30	8,00	A	1012	S	35	45,00	79,72	80,00	12,00	A	*45X80X12	S	32
45,00	62,00	62,30	8,00	A	1012N	S	32	45,00	80,00	80,28	10,00	A	45X80X10	S	35
45,00	62,00	62,30	8,00	A	*713053	V	32	45,00	81,72	82,00	12,00	A	*45X82X12	S	32
45,00	62,00	62,30	8,00	A	*713054	V	32	45,00	82,00	82,20	8,00	A	*45X82X8	S	32
45,00	62,00	62,30	10,00	A	*1185	S	32	45,00	84,72	85,00	12,00	A	*45X85X12	S	32
45,00	62,00	62,30	10,00	A	*713052	V	48								
45,00	62,00	62,30	12,00	A	*2013	S	32								
45,00	62,00	66,00	10,00	A	*713056	N	48								
45,00	62,75	63,00	7,00	A	*45X63X7	S	32								

For Illustration and Material Data See Technical Section

Designed For A Specific Application - Not Recommended For General Use ► Hydrodynamic Lip Design-CW ◄ Hydrodynamic Lip Design-CCW

◄► Hydrodynamic Lip Design-Bidirectional & Flanged O.D.

* The U.S. customer service number is 877-4-TIMKEN. The Canadian customer service numbers are 800-565-4927 (English) and 800-565-0438 (French-Canadian).

Metric List Sizes & Type

Shaft Size	Hsg. Bore	Seal O.D.	Seal Width	Grp.	Part No.	Lip Mat'l	Illus./ Type	Shaft Size	Hsg. Bore	Seal O.D.	Seal Width	Grp.	Part No.	Lip Mat'l	Illus./ Type
45,00	85,00	85,20	10,00	A	45X85X10	S	35	48,00	61,75	62,00	10,00	A	*48X62X10	S	32
45,00	85,00	85,25	13,00	A	45X85X13	S	45	48,00	61,75	62,00	12,00	A	*48X62X12	S	32
45,00	89,72	90,00	10,00	A	*45X90X10	S	32	48,00	62,00	62,10	8,00	A	48X62X8	S	35
45,00	98,00	98,10	10,50	A	710364	N	#	48,00	62,00	62,10	8,00	A	224820	S	32
45,00	99,72	100,00	10,00	A	*45X100X10	S	32	48,00	62,00	62,10	24,00	A	1956	S	#
46,00	53,75	54,00	9,00	A	*46X54X9	S	32	48,00	62,00	62,20	6,00	A	710322	S	34
46,00	57,75	58,00	7,00	A	*46X58X7	S	32	48,00	62,00	62,20	8,00	A	*48X62X8V	V	35
46,00	58,00	58,28	7,00	A	224650	N	32	48,00	62,00	62,20	8,00	A	*320832	S	32
46,00	58,85	59,10	12,00	A	*46X59.1X12	S	32	48,00	62,00	62,25	6,00	A	1188	S	34
46,00	59,00	59,20	8,00	A	*46X59X8	S	32	48,00	62,00	62,28	8,00	A	224810	N	32
46,00	59,75	60,00	7,00	A	*46X60X7	S	32	48,00	63,00	63,09	9,00	A	48X63X9	S	47
46,00	59,75	60,00	10,00	A	*46X60X10	S	32	48,00	63,00	63,09	9,00	A	1969	S	47
46,00	60,00	60,20	8,00	A	*46X60X8	S	32	48,00	64,00	64,20	14,00	A	710167	S	#
46,00	60,00	60,28	7,00	A	224660	H	32	48,00	64,75	65,00	7,00	A	*48X65X7	S	32
46,00	62,00	62,10	8,00	A	224662	S	35	48,00	64,75	65,00	9,00	A	*48X65X9	S	32
46,00	62,00	62,20	8,00	A	*46X62X8	S	32	48,00	64,75	65,00	12,00	A	*48X65X12	S	32
46,00	62,00	62,20	20,50	A	710394	S	#	48,00	65,00	65,10	7,00	A	*493759	S	49
46,00	63,00	63,40	7,70	A	224663	N	35	48,00	65,00	65,15	24,50	A	4528N	N	66
46,00	65,00	65,20	7,00	A	46X65X7	S	32	48,00	65,00	65,20	10,00	A	*48X65X10V	V	32
46,00	68,00	68,20	8,00	A	*46X68X8	S	32	48,00	65,00	65,20	10,00	A	224865	S	32
46,00	68,50	68,70	7,50	A	710161	S	#	48,00	65,00	65,30	8,00	A	1973	S	25
46,00	69,40	69,60	10,00	A	710128	S	#	48,00	65,00	65,30	10,00	A	48X65X10	S	32
46,00	69,40	69,60	11,00	A	710126	S	#	48,00	65,00	65,30	10,00	A	*713152	S	48
46,00	70,00	70,10	8,00	A	710238	S	32	48,00	65,00	65,30	10,00	A	716484	V	32
46,00	70,00	70,20	8,00	A	46X70X8	S	32	48,00	65,00	65,80	10,00	A	*713015	V	32
45,00	61,00	61,20	8,00	A	710260	S	32	48,01	65,07	65,20	12,70	A	*2820	S	#
46,00	72,00	72,20	8,00	A	*46X72X8	S	32	48,00	66,75	67,00	11,00	A	*48X67X11	S	32
46,00	73,00	73,20	8,00	A	*46X73X8	S	32	48,00	67,75	68,00	8,00	A	*48X68X8	S	32
46,00	94,50	94,70	8,00	A	710377	S	#	48,00	68,00	68,27	10,00	A	48X68X10	N	32
46,50	90,00	90,20	12,00	A	710397	N	#	48,00	68,00	68,27	10,00	A	224835	N	32
47,00	56,75	57,00	7,00	A	*47X57X7	S	32	48,00	68,00	68,30	11,00	A	224840	S	32
47,00	59,75	60,00	7,00	A	*47X60X7	S	32	48,01	68,58	68,68	14,78	A	9449	S	74
47,00	60,00	60,20	8,00	A	*47X60X8	S	32	48,00	69,75	70,00	7,00	A	*48X70X7	S	32
47,00	61,75	62,00	6,00	A	*47X62X6	S	32	48,00	69,75	70,00	10,00	A	*48X70X10	S	32
47,00	62,00	62,10	9,00	A	710320	S	48	48,00	69,75	70,00	12,00	A	*48X70X12	S	32
47,00	62,00	62,20	8,00	A	47X62X8	S	32	48,00	70,00	70,20	8,00	A	48X70X8	S	35
47,00	64,00	64,08	7,00	A	710191	S	25	48,00	70,00	70,20	9,00	A	710255	S	#
47,00	64,00	64,28	14,00	A	1937	S	#	48,00	70,00	70,20	12,00	A	710313	S	32
47,00	64,75	65,00	10,00	A	*47X65X10	S	32	48,00	70,00	70,25	9,00	A	712010	H	32
47,00	65,00	65,20	8,00	A	47X65X8	S	32	48,00	70,00	70,28	9,00	A	48X70X9	S	35
47,00	66,00	66,10	11,00	A	710215	S	66	48,00	70,00	70,28	10,00	A	1994	S	32
47,00	68,00	68,27	10,00	A	47X68X10	S	32	48,00	70,25	70,50	10,00	A	*48X70.5X10	S	32
47,00	68,00	68,27	10,00	A	1187	S	32	48,00	71,75	72,00	8,00	A	*48X72X8	S	32
47,00	69,00	69,14	10,10	A	3606	N	7S	48,00	71,75	72,00	9,00	A	*48X72X9	S	32
47,00	70,00	70,20	10,00	A	47X70X10	S	32	48,00	71,75	72,00	10,00	A	*48X72X10	S	32
47,00	72,00	72,23	8,00	A	224772	S	48	48,00	71,75	72,00	12,00	A	*48X72X12	S	32
47,00	72,00	72,40	6,00	A	710337	S	34	48,00	72,00	72,20	8,00	A	*48X72X8V	V	35
47,00	80,00	80,20	12,70	A	710150	S	#	48,00	72,00	72,28	10,00	A	224850	S	35
47,00	84,00	84,20	11,00	A	710143	S	#	48,00	72,00	72,31	7,00	A	48X72X7	S	32
47,60	68,00	68,30	14,00	A	712516	N	#	48,00	72,00	72,31	7,00	A	1208	S	32
48,00	57,75	58,00	4,00	A	*48X58X4	S	32	48,00	72,00	72,35	8,50	A	224872	S	32
48,00	58,00	58,20	8,00	A	*48X58X8	S	32	48,00	72,25	72,50	10,00	A	*48X72.5X10	S	32
48,00	58,75	59,00	6,00	A	*48X59X6	S	32	48,00	73,00	73,10	7,00	A	224870	S	47
48,00	59,75	60,00	8,00	A	*48X60X8	S	32	48,00	73,75	74,00	10,00	A	*48X74X10	S	32
48,00	59,75	60,00	10,00	A	*48X60X10	S	32	48,00	73,75	74,00	12,00	A	*48X74X12	S	32
48,00	60,00	60,20	9,00	A	710356	S	47	48,00	74,00	74,23	10,00	A	224874	S	32
48,00	61,75	62,00	7,00	A	*48X62X7	S	32	48,00	74,00	74,30	10,00	A	224815	N	40
48,00	61,75	62,00	9,00	A	*48X62X9	S	32	48,00	74,75	75,00	12,00	A	*48X75X12	S	32
								48,00	75,00	75,20	10,00	A	48X75X10	S	32
								48,00	78,00	78,20	8,00	A	*48X78X8	S	32
								48,00	79,72	80,00	10,00	A	*48X80X10	S	32

METRIC SECTION

For Illustration and Material Data See Technical Section

Designed For A Specific Application - Not Recommended For General Use ➔ Hydrodynamic Lip Design-CW ◀ Hydrodynamic Lip Design-CCW

◀➔ Hydrodynamic Lip Design-Bidirectional

* The U.S. customer service number is 877-4-TIMKEN. The Canadian customer service numbers are 800-565-4927 (English) and 800-565-0438 (French-Canadian).

Shaft Size	Hsg. Bore	Seal O.D.	Seal Width	Grp.	Part No.	Lip Mat'l	Illus./ Type	Shaft Size	Hsg. Bore	Seal O.D.	Seal Width	Grp.	Part No.	Lip Mat'l	Illus./ Type
48,00	80,00	80,20	8,00	A	48X80X8	S	32	50,00	68,00	68,28	8,00	A	1948	S	35
48,00	81,72	82,00	10,00	A	*48X82X10	S	32	50,00	68,00	68,28	8,00	A	*353676	S	35
48,00	82,00	82,20	8,00	A	*48X82X8	S	32	50,00	68,00	68,28	9,00	A	225020➔	V	32
48,00	84,72	85,00	10,00	A	*48X85X10	S	32	50,00	69,75	70,00	10,00	A	*50X70X10	S	32
48,00	85,00	85,20	8,00	A	*48X85X8	S	32	50,00	69,75	70,00	12,00	A	*50X70X12	S	32
48,00	88,00	88,20	8,00	A	*48X88X8	S	32	50,00	69,75	70,00	13,00	A	*50X70X13	S	32
48,00	89,72	90,00	13,00	A	*48X90X13	S	32	50,00	70,00	70,10	7,00	A	413818	S	41
48,00	90,00	90,20	10,00	A	48X90X10	S	35	50,00	70,00	70,10	9,00	A	*470824	S	47
48,00	108,50	108,70	13,00	A	710296	S	#	50,00	70,00	70,10	11,00	A	*481371H	H	48
49,00	61,75	62,00	6,00	A	*49X62X6	S	32	50,00	70,00	70,20	8,00	A	50X70X8	S	32
49,00	62,00	62,15	8,00	A	4904	S	66	50,00	70,00	70,20	9,00	A	50X70X9	S	32
49,00	64,00	64,28	12,50	A	1936	S	#	50,00	70,00	70,20	10,00	A	*50X70X10V	V	35
49,00	65,10	65,20	8,00	A	39877↔➔	T	WW	50,00	70,00	70,20	10,00	A	710173	N	#
49,00	70,00	70,10	12,50	A	710305&	S	#	50,00	70,00	70,20	14,00	A	710135	S	#
49,00	72,20	72,50	8,00	A	710148	S	97	50,00	70,00	70,23	9,00	A	1960	S	47
49,00	75,75	76,00	15,00	A	*49X76X15	S	32	50,00	70,00	70,30	9,50	A	*1189	S	32
49,00	79,00	79,10	17,50	A	224979➔	N	47	50,00	70,00	70,30	10,00	A	*713057	V	32
49,00	100,00	100,20	8,00	A	710374	S	#	50,00	71,75	72,00	7,00	A	*50X72X7	S	32
50,00	59,75	60,00	8,00	A	*50X60X8	S	32	50,00	71,75	72,00	9,00	A	*50X72X9	S	32
50,00	59,75	60,00	10,00	A	*50X60X10	S	32	50,00	71,75	72,00	10,00	A	*50X72X10	S	32
50,00	60,00	60,25	6,00	A	710192	S	32	50,00	71,75	72,00	12,00	A	*50X72X12	S	32
50,00	61,75	62,00	9,00	A	*50X62X9	S	32	50,00	72,00	72,20	8,00	A	*50X72X8V	V	32
50,00	61,75	62,00	10,00	A	*50X62X10	S	32	50,00	72,00	72,20	10,00	A	710398	S	#
50,00	62,00	62,08	6,00	A	*331356	S	33	50,00	72,00	72,28	8,00	A	225030	S	35
50,00	62,00	62,10	9,00	A	225008	S	47	50,00	72,00	72,28	8,00	A	50X72X8	S	35
50,00	62,00	62,28	7,00	A	50X62X7	S	35	50,00	72,00	72,35	10,00	A	225035	S	32
50,00	62,00	62,28	7,00	A	225005	S	32	50,00	72,00	72,35	12,00	A	225040➔	S	32
50,00	62,75	63,00	8,00	A	*50X63X8	S	32	50,00	74,00	74,20	9,00	A	710137	S	#
50,00	63,75	64,00	8,00	A	*50X64X8	S	32	50,00	74,75	75,00	10,00	A	*50X75X10	S	32
50,00	63,75	64,00	9,00	A	*50X64X9	S	32	50,00	75,00	75,10	9,00	A	710437	S	47
50,00	63,75	64,00	10,00	A	*50X64X10	S	32	50,00	75,00	75,20	7,00	A	50X75X7	S	32
50,00	64,00	64,10	6,50	A	1971	S	47	50,00	75,00	75,20	8,00	A	*50X75X8	S	32
50,00	64,10	64,19	6,50	A	710098	S	71	50,00	75,00	75,28	12,00	A	50X75X12	S	32
50,00	64,75	65,00	9,00	A	*50X65X9	S	32	50,00	75,75	76,00	12,00	A	*50X76X12	S	32
50,00	64,75	65,00	10,00	A	*50X65X10	S	32	50,00	77,50	77,70	9,00	A	1941	S	47
50,00	65,00	65,10	14,00	A	3743	S	66	50,00	77,72	78,00	12,00	A	*50X78X12	S	32
50,00	65,00	65,28	8,00	A	225010	S	47	50,00	78,00	78,20	8,00	A	*50X78X8	S	32
50,00	65,00	65,15	8,00	A	*470856	S	47	50,00	79,72	80,00	10,00	A	*50X80X10	S	32
50,00	65,00	65,20	8,00	A	*50X65X8V	V	32	50,00	79,72	80,00	12,00	A	*50X80X12	S	32
50,00	65,00	65,20	8,00	A	710354➔	N	32	50,00	79,72	80,00	13,00	A	*50X80X13	S	32
50,00	65,00	65,28	8,00	A	50X65X8	S	32	50,00	80,00	80,20	8,00	A	*50X80X8V	V	32
50,00	65,00	65,33	8,50	A	1209	S	35	50,00	80,00	80,28	8,00	A	225050	S	35
50,00	65,30	65,53	8,00	A	710226	S	32	50,00	80,00	80,28	8,00	A	50X80X8	S	35
50,00	65,75	66,00	6,00	A	*50X66X6	S	32	50,00	80,00	80,30	10,00	A	*713082	N	47
50,00	66,00	66,22	8,00	A	*473810V	V	47	50,00	80,00	80,30	16,00	A	710112↔➔	N	#
50,00	66,50	66,62	9,52	A	474134	S	47	50,00	80,72	81,00	12,00	A	*50X81X12	S	32
50,00	66,75	67,00	9,00	A	*50X67X9	S	32	50,00	81,00	81,30	13,00	A	*713124	N	47
50,00	66,75	67,00	10,00	A	*50X67X10	S	32	50,00	81,72	82,00	12,00	A	*50X82X12	S	32
50,00	67,00	67,20	9,00	A	710357	S	47	50,00	82,00	82,18	11,50	A	225082	S	#
50,00	67,00	67,27	11,00	A	1974	S	97	50,00	84,72	85,00	10,00	A	*50X85X10	S	32
50,00	67,75	68,00	7,00	A	*50X68X7	S	32	50,00	84,72	85,00	12,00	A	*50X85X12	S	32
50,00	67,75	68,00	9,00	A	*50X68X9	S	32	50,00	85,00	85,20	8,00	A	50X85X8	S	32
50,00	67,75	68,00	10,00	A	*50X68X10	S	32	50,00	86,00	86,30	13,00	A	710117	N	#
50,00	68,00	68,15	8,00	A	*483738V	V	48	50,00	88,00	88,20	8,00	A	*50X88X8	S	32
50,00	68,00	68,20	8,00	A	*50X68X8V	V	32	50,00	89,72	90,00	13,00	A	*50X90X13	S	32
50,00	68,00	68,20	9,00	A	710420➔	S	32	50,00	90,00	90,20	8,00	A	50X90X8	S	32
50,00	68,00	68,27	7,00	A	710194	S	32	50,00	90,00	90,20	10,00	A	*50X90X10V	V	35
50,00	68,00	68,28	8,00	A	50X68X8	S	35	50,00	90,00	90,28	10,00	A	50X90X10	S	35

For Illustration and Material Data See Technical Section

Designed For A Specific Application - Not Recommended For General Use ➔ Hydrodynamic Lip Design-CW ↔ Hydrodynamic Lip Design-Bidirectional & Flanged O.D.

* The U.S. customer service number is 877-4-TIMKEN. The Canadian customer service numbers are 800-565-4927 (English) and 800-565-0438 (French-Canadian).

Metric List Sizes & Type

Shaft Size	Hsg. Bore	Seal O.D.	Seal Width	Grp.	Part No.	Lip Mat'l	Illus./ Type	Shaft Size	Hsg. Bore	Seal O.D.	Seal Width	Grp.	Part No.	Lip Mat'l	Illus./ Type
50,00	94,00	94,28	24,00	A	710071	S	#	52,00	72,00	72,28	8,00	A	710242➡	N	32
50,00	99,72	100,00	10,00	A	*50X100X10	S	32	52,00	74,75	75,00	10,00	A	*52X75X10	S	32
50,00	110,00	110,13	9,50	A	476512	S	47	52,00	75,00	75,11	7,50	A	225275	S	66
51,00	62,00	62,10	7,00	A	710407	S	33	52,00	75,00	75,28	12,00	A	52X75X12	S	35
51,00	63,00	63,12	6,00	A	494123	S	49	52,00	75,00	75,30	14,70	A	*713059	S	47
51,00	63,00	63,20	8,00	A	*51X63X8	S	32	52,00	77,00	78,00	9,00	A	710107%	S	#
51,00	63,00	63,20	8,50	A	710323	S	49	52,00	77,72	78,00	10,00	A	*52X78X10	S	32
51,00	64,75	65,00	13,00	A	*51X65X13	S	32	52,00	78,00	78,28	9,00	A	225278	N	35
51,00	65,00	65,10	7,00	A	51X65X7	S	47	52,00	79,72	80,00	13,00	A	*52X80X13	S	32
51,00	65,00	65,10	7,00	A	225110	S	47	52,00	80,00	80,28	10,00	A	52X80X10◀➡	S	32
51,00	65,00	65,10	7,00	A	*474096	S	47	52,00	82,00	82,20	8,00	A	52X82X8	S	32
51,00	66,00	66,20	6,50	A	710265	N	35	52,00	84,72	85,00	9,00	A	*52X85X9	S	32
51,00	66,25	66,50	10,00	A	*51X66.5X10	S	32	52,00	84,72	85,00	10,00	A	*52X85X10	S	32
51,00	70,00	70,28	11,00	A	8316➡	N	32	52,00	85,00	85,20	8,00	A	52X85X7	S	32
51,00	73,00	73,20	8,00	A	*51X73X8	S	32	52,00	85,00	85,20	8,00	A	*52X85X8	S	32
51,00	80,00	80,20	8,00	A	*51X80X8	S	32	52,00	89,72	90,00	10,00	A	*52X90X10	S	32
51,00	81,00	81,20	8,00	A	*51X81X8	S	32	53,00	67,95	68,20	7,00	A	*53X68.2X7	S	32
51,00	90,00	90,20	8,00	A	*51X90X8	S	32	53,00	68,00	68,28	10,00	A	53X68X10	S	32
51,00	92,00	92,20	8,00	A	*51X92X8	S	32	53,00	68,20	68,48	7,00	A	710175	S	32
52,00	61,75	62,00	7,00	A	*52X62X7	S	32	53,00	69,00	69,11	10,30	A	*205009	F	205
52,00	61,75	62,00	10,00	A	*52X62X10	S	32	53,00	71,75	72,00	10,00	A	*53X72X10	S	32
52,00	62,00	63,00	5,50	A	710253%	S	#	53,00	72,75	73,00	10,00	A	*53X73X10	S	32
52,00	62,75	63,00	8,00	A	*52X63X8	S	32	53,00	79,72	80,00	13,00	A	*53X80X13	S	32
52,00	63,00	63,23	8,00	A	1975	S	32	54,00	63,75	64,00	9,00	A	*54X64X9	S	32
52,00	63,75	64,00	9,00	A	*52X64X9	S	32	54,00	64,75	65,00	10,00	A	*54X65X10	S	32
52,00	64,75	65,00	8,00	A	*52X65X8	S	32	54,00	64,75	65,00	13,00	A	*54X65X13	S	32
52,00	64,75	65,00	10,00	A	*52X65X10	S	32	54,00	65,00	65,20	8,00	A	54X65X8	S	32
52,00	65,00	65,20	9,00	A	225208	S	32	54,00	65,00	65,28	12,50	A	2002	S	47
52,00	65,00	65,30	9,00	A	52X65X9	S	35	54,00	66,00	66,23	7,50	A	225410	S	#
52,00	65,00	65,30	9,00	A	1955	S	35	54,00	67,75	68,00	10,00	A	*54X68X10	S	32
52,00	66,00	66,12	7,50	A	4898	S	66	54,00	69,00	69,23	7,00	A	710239	N	40
52,00	66,00	66,23	9,00	A	225210	N	35	54,00	69,75	70,00	9,00	A	*54X70X9	S	32
52,00	67,00	67,30	7,00	A	1883%	S	#	54,00	72,00	72,25	10,00	A	54X72X10	S	32
52,00	67,75	68,00	7,00	A	*52X68X7	S	32	54,00	72,00	72,25	10,00	A	225420	S	32
52,00	67,75	68,00	10,00	A	*52X68X10	S	32	54,00	72,25	72,50	9,00	A	*54X72.5X9	S	32
52,00	68,00	68,10	6,50	A	710292	S	#	54,00	73,00	73,20	8,00	A	54X73X8	S	32
52,00	68,00	68,09	12,09	A	*710064	S	#	54,00	73,00	73,40	12,75	A	712125➡	T	FW-H
52,00	68,00	68,15	8,00	A	710190	V	48	54,00	73,75	74,00	10,00	A	*54X74X10	S	32
52,00	68,00	68,20	8,00	A	*52X68X8V	V	35	54,00	74,75	75,00	10,00	A	*54X75X10	S	32
52,00	68,00	68,20	13,00	A	710312	S	32	54,00	75,18	75,48	17,00	A	710073	S	#
52,00	68,00	68,28	7,00	A	4990	S	281	54,00	75,75	76,00	8,00	A	*54X76X8	S	32
52,00	68,00	68,28	8,00	A	225220	S	35	54,00	76,00	76,20	14,00	A	710438	S	#
52,00	68,00	68,28	8,00	A	52X68X8	S	35	54,00	79,72	80,00	10,00	A	*54X80X10	S	32
52,00	68,00	68,28	10,00	A	1884	S	32	54,00	80,72	81,00	10,00	A	*54X81X10	S	32
52,00	68,00	68,30	13,50	A	*713058	S	47	54,00	81,00	81,20	8,00	A	*54X81X8	S	32
52,00	68,00	68,43	10,00	A	*324186	S	32	54,00	81,72	82,00	11,00	A	*54X82X11	S	32
52,00	68,00	68,80	8,00	A	*713016	N	32	54,00	81,99	82,17	8,00	A	710203	S	66
52,00	69,00	69,28	10,00	A	52X69X10	S	35	54,00	82,00	82,30	10,00	A	225450	S	32
52,00	69,75	70,00	9,00	A	*52X70X9	S	32	54,00	82,00	82,35	10,00	A	54X82X10	S	32
52,00	69,75	70,00	13,00	A	*52X70X13	S	32	54,00	85,00	85,25	10,00	A	225460	S	32
52,00	70,00	70,20	8,00	A	52X70X8	S	32	54,00	85,00	85,28	10,00	A	54X85X10	S	32
52,00	70,00	70,27	8,50	A	710187➡	N	32	54,50	69,75	70,00	8,00	A	*54.5X70X8	S	32
52,00	70,00	70,27	7,50	A	225540%	S	#	55,00	55,00	80,30	10,00	A	*713126	N	48
52,00	70,00	70,27	8,00	A	225225	S	47								
52,00	71,75	72,00	9,00	A	*52X72X9	S	32								
52,00	71,75	72,00	10,00	A	*52X72X10	S	32								
52,00	71,75	72,00	12,00	A	*52X72X12	S	32								
52,00	72,00	72,20	8,00	A	52X72X8	S	35								
52,00	72,00	72,20	8,00	A	*52X72X8V	V	32								
52,00	72,00	72,28	8,00	A	225230	S	35								
52,00	72,00	72,28	8,00	A	*350858	S	35								

METRIC SECTION

For Illustration and Material Data See Technical Section

Designed For A Specific Application - Not Recommended For General Use ➡ Hydrodynamic Lip Design-CW ◀➡ Hydrodynamic Lip Design-Bidirectional % External Bore

* The U.S. customer service number is 877-4-TIMKEN. The Canadian customer service numbers are 800-565-4927 (English) and 800-565-0438 (French-Canadian).

Shaft Size	Hsg. Bore	Seal O.D.	Seal Width	Grp.	Part No.	Lip Mat'l	Illus./ Type	Shaft Size	Hsg. Bore	Seal O.D.	Seal Width	Grp.	Part No.	Lip Mat'l	Illus./ Type
55,00	64,75	65,00	8,00	A	*55X65X8	S	32	55,00	100,00	100,30	12,70	A	55X100X13	S	45
55,00	64,75	65,00	10,00	A	*55X65X10	S	32								
55,00	67,75	68,00	10,00	A	*55X68X10	S	32	54,99	101,68	101,80	11,10	A	*477674V	V	47
55,00	68,00	68,20	8,00	A	710127	S	#	56,00	66,00	66,20	17,00	A	710382	S	#
55,00	68,00	68,28	8,00	A	55X68X8	S	32	56,00	67,00	67,20	6,00	A	710169	S	#
55,00	68,00	68,30	8,00	A	225500	S	32	56,00	68,00	68,12	10,00	A	56X68X10	N	48
								56,00	68,00	68,28	10,00	A	1932	S	49
54,99	68,53	68,91	4,11	A	*9471	S	#	56,00	69,75	70,00	9,00	A	*56X70X9	S	32
55,00	69,75	70,00	9,00	A	*55X70X9	S	32	56,00	70,00	70,20	8,00	A	56X70X8	S	35
55,00	69,75	70,00	10,00	A	*55X70X10	S	32	56,00	70,00	70,20	8,00	A	*56X70X8V	V	35
55,00	69,75	70,00	12,00	A	*55X70X12	S	32								
55,00	70,00	70,10	10,26	A	3723	S	66	56,00	71,75	72,00	8,00	A	*56X72X8	S	32
55,00	70,00	70,20	8,00	A	*55X70X8V	V	32	56,00	71,75	72,00	9,00	A	*56X72X9	S	32
55,00	70,00	70,20	8,00	A	710279	V	32								
55,00	70,00	70,20	8,00	A	*713064	V	32	56,00	72,00	72,20	7,00	A	56X72X7	S	32
55,00	70,00	70,27	8,00	A	55X70X8	S	35	56,00	72,00	72,20	8,00	A	710393	S	#
55,00	70,00	70,27	9,00	A	225505	S	32	56,00	72,00	72,27	12,50	A	225227	S	#
								56,00	72,00	72,29	11,50	A	225650	S	32
55,00	71,75	72,00	9,00	A	*55X72X9	S	32	56,00	72,00	72,40	11,50	A	56X72X11.5	S	35
55,00	71,75	72,00	10,00	A	*55X72X10	S	32								
55,00	71,75	72,00	12,00	A	*55X72X12	S	32	56,00	72,75	73,00	10,00	A	*56X73X10	S	32
55,00	72,00	72,20	8,00	A	*55X72X8V	V	32	56,00	73,00	73,23	7,50	A	225673	S	#
55,00	72,00	72,20	10,50	A	225535	S	32	56,00	73,00	73,28	12,50	A	1993	S	47
55,00	72,00	72,20	12,00	A	*713065	N	48	56,00	74,00	74,14	8,50	A	710176	S	87
55,00	72,00	72,25	8,00	A	225530	S	35	56,00	74,00	74,20	8,00	A	710125	S	#
55,00	72,00	72,25	8,00	A	55X72X8	S	35	56,00	75,00	75,13	6,50	A	4899	S	66
								56,00	75,00	75,20	7,00	A	56X75X7	S	32
55,00	72,75	73,00	10,00	A	*55X73X10	S	32	56,00	75,00	75,33	8,00	A	225775	S	#
55,00	74,00	74,10	9,20	A	1207N	S	49	56,00	75,75	76,00	8,00	A	*56X76X8	S	32
55,00	74,00	74,28	9,20	A	1207	S	49								
55,00	74,75	75,00	9,00	A	*55X75X9	S	32	56,00	76,00	76,12	12,30	A	710108	S	66
55,00	74,75	75,00	12,00	A	*55X75X12	S	32	56,00	76,00	76,15	11,50	A	*4905	S	72
								56,00	76,00	76,15	11,50	A	710146	S	72
								56,00	78,00	78,20	8,00	A	*56X78X8	S	32
55,00	75,00	75,20	7,00	A	55X100X7	S	32	56,00	78,00	78,28	7,50	A	225678	S	#
55,00	75,00	75,20	8,00	A	55X75X8	S	35								
55,00	75,00	75,20	10,00	A	*55X75X10V	V	35	56,00	79,72	80,00	10,00	A	*56X80X10	S	32
55,00	75,00	75,35	10,00	A	55X75X10	S	35	56,00	79,72	80,00	13,00	A	*56X80X13	S	32
55,00	75,00	75,35	10,00	A	225545	S	35								
55,00	75,75	76,00	12,00	A	*55X76X12	S	32	56,00	80,00	80,28	8,00	A	56X80X8	S	32
								56,00	82,00	82,20	8,00	A	56X82X8	S	32
55,00	76,00	76,20	10,00	A	*713125	S	47	56,00	84,72	85,00	10,00	A	*56X85X10	S	32
55,00	77,72	78,00	9,00	A	*55X78X9	S	32	56,00	85,00	85,28	8,00	A	56X85X8	S	35
55,00	77,72	78,00	12,00	A	*55X78X12	S	32	56,00	88,00	88,20	8,00	A	56X88X8	S	32
								56,00	90,00	90,20	8,00	A	56X90X8	S	32
55,00	78,00	78,28	10,00	A	55X78X10	S	35	56,00	122,00	122,25	8,00	A	710086	S	#
55,00	79,72	80,00	10,00	A	*55X80X10	S	32	57,00	57,12	82,55	7,47	A	*7068%	S	200E
55,00	79,72	80,00	12,00	A	*55X80X12	S	32								
55,00	80,00	80,20	8,00	A	*55X80X8V	V	35	57,00	66,75	67,00	6,00	A	*57X67X6	S	32
55,00	80,00	80,28	8,00	A	55X80X8	S	35	57,00	67,00	67,11	6,00	A	1984	S	25
55,00	80,00	80,30	10,00	A	*713127	S	47	57,00	67,00	67,11	6,00	A	*253752	S	25
								57,00	72,00	72,25	8,40	A	1964	S	47
55,00	81,72	82,00	9,00	A	*55X82X9	S	32								
55,00	82,00	82,30	12,00	A	55X82X12	S	35	57,00	74,75	75,00	12,00	A	*57X75X12	S	32
55,00	82,00	82,30	10,00	A	1958	S	35								
55,00	84,72	85,00	12,00	A	*55X85X12	S	32	57,00	77,00	77,20	8,00	A	710129	S	#
55,00	84,72	85,00	14,00	A	*55X85X14	S	32	57,00	79,00	79,28	13,50	A	710072	S	#
								57,00	79,00	79,28	14,98	A	710074	S	#
55,00	85,00	85,20	8,00	A	55X85X8	S	32	57,00	79,72	80,00	12,00	A	*57X80X12	S	32
55,00	85,00	85,31	10,00	A	55X85X10	S	35								
55,00	88,00	88,20	8,00	A	55X88X8	S	32	57,00	80,00	80,10	8,00	A	710225	S	#
55,00	88,00	88,20	8,00	A	*55X88X10	S	32	57,00	81,00	81,10	9,00	A	1928	S	47
								57,00	81,00	81,20	8,00	A	*57X81X8	S	32
55,00	89,72	90,00	8,00	A	*55X90X8	S	32	57,00	82,22	82,50	10,00	A	*57X82.5X10	S	32
55,00	89,72	90,00	10,00	A	*55X90X10	S	32	57,00	84,72	85,00	10,00	A	*57X85X10	S	32
								57,00	84,72	85,00	12,00	A	*57X85X12	S	32
55,00	90,00	90,28	13,00	A	55X90X13	S	35	57,00	84,72	85,00	15,00	A	*57X85X15	S	32
55,00	95,00	95,20	8,00	A	*55X95X8	S	32								
55,00	99,72	100,00	10,00	A	*55X100X10	S	32	57,00	85,00	85,20	13,00	A	57X85X13	S	32
55,00	99,72	100,00	12,00	A	*55X100X12	S	32	57,00	92,00	92,20	8,00	A	*57X92X8	S	32

For Illustration and Material Data See Technical Section

Designed For A Specific Application - Not Recommended For General Use ◀▶ Hydrodynamic Lip Design-Bidirectional % External Bore

Metric List Sizes & Type

Shaft Size	Hsg. Bore	Seal O.D.	Seal Width	Grp.	Part No.	Lip Mat'l	Illus./ Type	Shaft Size	Hsg. Bore	Seal O.D.	Seal Width	Grp.	Part No.	Lip Mat'l	Illus./ Type
58,00	67,75	68,00	9,00	A	*58X68X9	S	32	60,00	74,75	75,00	12,00	A	*60X75X12	S	32
58,00	69,75	70,00	7,00	A	*58X70X7	S	32	60,00	75,00	75,20	8,00	A	*60X75X8V	V	32
58,00	69,75	70,00	11,00	A	*58X70X11	S	32	60,00	75,00	75,28	8,00	A	60X75X8	S	35
58,00	71,75	72,00	9,00	A	*58X72X9	S	32	60,00	75,00	75,33	9,00	A	226015◀	N	32
58,00	71,75	72,00	10,00	A	*58X72X10	S	32	60,00	75,00	75,50	10,00	A	712113▶	T	FW-H
58,00	72,00	72,18	8,00	A	225872	S	33	60,00	75,00	86,00	11,80	A	710093	S	#
58,00	72,00	72,20	8,00	A	*58X72X8V	V	35	60,00	75,75	76,00	9,00	A	*60X76X9	S	32
58,00	72,00	72,28	8,00	A	58X72X8	S	35	60,00	76,72	77,00	12,00	A	*60X77X12	S	32
58,00	73,00	73,10	8,50	A	710439	S	#	60,00	77,72	78,00	10,00	A	*60X78X9	S	32
58,00	73,75	74,00	10,00	A	*58X74X10	S	32	60,00	77,72	78,00	10,00	A	*60X78X10	S	32
58,00	74,00	74,12	13,00	A	225874	N	101	60,00	78,00	78,20	8,00	A	*60X78X8	S	32
58,00	74,00	74,20	10,00	A	710271◀	S	32	60,00	78,00	78,28	8,00	A	226018	N	35
58,00	74,75	75,00	9,00	A	*58X75X9	S	32	60,00	79,22	79,50	10,00	A	*60X79.5X10	S	32
58,00	74,75	75,00	10,00	A	*58X75X10	S	32	60,00	79,72	80,00	9,00	A	*60X80X9	S	32
58,00	74,75	75,00	12,00	A	*58X75X12	S	32	60,00	79,72	80,00	10,00	A	*60X80X10	S	32
58,00	75,00	75,10	9,00	A	710400	S	47	60,00	79,72	80,00	12,00	A	*60X80X12	S	32
58,00	75,00	75,20	7,00	A	710136	S	#	60,00	79,72	80,00	13,00	A	*60X80X13	S	32
58,00	75,00	75,28	11,00	A	58X75X11	S	35	60,00	80,00	80,20	8,00	A	60X80X8	S	35
58,00	75,00	75,28	11,00	A	225875	S	32	60,00	80,00	80,20	8,00	A	*60X80X8V	V	32
58,00	76,00	76,10	6,50	A	710183	S	66	60,00	80,00	80,20	8,00	A	710333◀	S	32
58,00	76,00	76,23	7,80	A	710230	S	#	60,00	80,00	80,29	8,00	A	226020	S	35
58,00	77,00	77,28	8,50	A	225877	N	35	60,00	81,72	82,00	9,00	A	*60X82X9	S	32
58,00	77,72	78,00	9,00	A	*58X78X9	S	32	60,00	82,00	82,20	7,00	A	60X82X7	S	32
58,00	77,72	78,00	12,00	A	*58X78X12	S	32	60,00	82,00	82,20	10,00	A	710390▶	N	32
58,00	78,00	78,20	8,00	A	*58X78X8	S	32	60,00	82,00	82,20	12,00	A	710350▶	V	#
58,00	78,00	78,20	10,00	A	710144◀	S	#	60,00	82,00	82,20	12,00	A	712006◀	H	32
58,00	79,72	80,00	9,00	A	*58X80X9	S	32	60,00	82,00	82,28	12,00	A	2001◀	S	32
58,00	79,72	80,00	10,00	A	*58X80X10	S	32	60,00	82,00	82,30	12,00	A	60X82X12	S	35
58,00	79,72	80,00	12,00	A	*58X80X12	S	32	60,00	83,72	84,00	10,00	A	*60X84X10	S	32
58,00	79,72	80,00	13,00	A	*58X80X13	S	32	60,00	84,72	85,00	6,00	A	*60X85X6	S	32
58,00	80,00	80,20	8,00	A	*58X80X8V	V	35	60,00	84,72	85,00	10,00	A	*60X85X10	S	32
58,00	80,00	80,28	8,00	A	225880	S	35	60,00	84,72	85,00	13,00	A	*60X85X13	S	32
58,00	80,00	80,28	8,00	A	58X80X8	S	35	60,00	85,00	85,20	8,00	A	*60X85X8V	V	32
57,99	80,14	80,24	9,53	A	493291	S	49	60,00	85,00	85,20	12,00	A	60X85X12	S	32
58,00	80,98	81,18	6,35	A	*341119	S	34	60,00	85,00	85,28	8,00	A	60X85X8	S	35
58,00	81,72	82,00	12,00	A	*58X82X12	S	32	60,00	85,50	85,70	7,00	A	*4599H▶	H	#
58,00	82,00	82,20	8,00	A	*58X82X8	S	32	60,00	85,72	86,00	10,00	A	*60X86X10	S	32
58,00	84,72	85,00	8,00	A	*58X85X8	S	32	60,00	86,00	86,10	7,00	A	710182	S	66
58,00	84,72	85,00	12,00	A	*58X85X12	S	32	60,00	88,00	88,20	8,00	A	*60X88X8	S	32
58,00	85,00	85,25	13,00	A	58X85X13	S	32	60,00	89,72	90,00	11,00	A	*60X90X11	S	32
58,00	85,00	85,28	10,00	A	58X85X10	S	35	60,00	89,72	90,00	12,00	A	*60X90X12	S	32
58,00	88,00	88,20	8,00	A	58X88X8	S	32	60,00	89,72	90,00	13,00	A	*60X90X13	S	32
58,00	90,00	90,28	10,00	A	58X90X10	S	35	60,00	90,00	90,25	8,00	A	60X90X8	S	32
58,00	91,72	92,00	8,00	A	*58X92X8	S	32	60,00	90,00	90,25	22,00	A	1985	S	#
58,00	103,00	103,20	11,00	A	710268◀	N	40	60,00	90,00	90,27	10,00	A	60X90X10	S	35
59,00	75,00	75,11	10,00	A	710168	S	47	60,00	90,00	90,30	12,50	A	*713128	V	#
59,00	78,30	78,55	8,00	A	710229	S	40	60,00	94,72	95,00	10,00	A	*60X95X10	S	32
59,00	78,30	78,55	8,00	A	710231	S	32	60,00	94,72	95,00	12,00	A	*60X95X12	S	32
59,00	100,00	100,28	10,00	A	710121	N	#	60,00	94,72	95,00	13,00	A	*60X95X13	S	32
60,00	69,75	70,00	10,00	A	*60X70X10	S	32	60,00	95,00	95,20	8,00	A	60X95X8	S	32
60,00	69,75	70,00	12,00	A	*60X70X12	S	32	60,00	99,72	100,00	13,00	A	*60X100X13	S	32
60,00	71,75	72,00	9,00	A	*60X72X9	S	32	60,00	100,00	100,20	8,00	A	*60X100X8	S	32
60,00	71,75	72,00	10,00	A	*60X72X10	S	32	60,00	100,00	100,20	10,00	A	60X100X10◀▶	N	32
60,00	72,00	72,10	7,50	A	710379	S	47	60,00	103,00	103,10	12,00	A	710276◀▶	N	40
60,00	72,00	72,28	8,00	A	60X72X8	S	35	60,00	103,72	104,00	12,00	A	*60X104X12	S	32
60,00	73,75	74,00	10,00	A	*60X74X10	S	32	60,00	105,00	105,20	8,00	A	*60X105X8	S	32
60,00	74,00	74,10	10,00	A	226001◀	V	25	60,00	109,72	110,00	12,00	A	*60X110X12	S	32
60,00	74,75	75,00	9,00	A	*60X75X9	S	32	60,00	110,00	110,20	8,00	A	60X110X8	S	32
60,00	74,75	75,00	10,00	A	*60X75X10	S	32	60,50	77,72	78,00	10,00	A	*60.5X78X10	S	32

METRIC SECTION

For Illustration and Material Data See Technical Section

Designed For A Specific Application - Not Recommended For General Use ▶ Hydrodynamic Lip Design-CW ◀ Hydrodynamic Lip Design-CCW

◀▶ Hydrodynamic Lip Design-Bidirectional

* The U.S. customer service number is 877-4-TIMKEN. The Canadian customer service numbers are 800-565-4927 (English) and 800-565-0438 (French-Canadian).

Shaft Size	Hsg. Bore	Seal O.D.	Seal Width	Grp.	Part No.	Lip Mat'l	Illus./ Type	Shaft Size	Hsg. Bore	Seal O.D.	Seal Width	Grp.	Part No.	Lip Mat'l	Illus./ Type
61,00	76,00	76,28	7,00	A	226150	S	#	64,00	79,72	80,00	12,00	A	*64X80X12	S	32
61,00	88,00	88,00	7,00	A	710170	S	#	64,00	79,72	80,00	13,00	A	*64X80X13	S	32
62,00	74,00	74,10	7,00	A	710392	S	#	64,00	80,00	80,20	8,00	A	226480◀	H	33
62,00	74,75	75,00	10,00	A	*62X75X10	S	32	64,00	80,00	80,20	8,00	A	*713160▶	S	48
62,00	74,75	75,00	12,00	A	*62X75X12	S	32	64,00	80,00	80,20	8,00	A	*713161◀	S	47
62,00	77,72	78,00	10,00	A	*62X78X10	S	32	64,00	80,00	80,20	8,00	A	*713162◀	S	32
62,00	78,00	78,10	7,00	A	710213	S	281	64,00	80,00	80,28	8,00	A	64X80X8	S	32
62,00	78,00	78,20	8,00	A	*62X78X8	S	32	64,00	80,00	80,30	8,00	A	*713069	V	32
62,00	79,72	80,00	12,00	A	*62X80X12	S	32	64,00	84,72	85,00	10,00	A	*64X85X10	S	32
62,00	80,00	80,30	10,00	A	*713130	N	47	64,00	84,72	85,00	12,00	A	*64X85X12	S	32
62,00	80,00	80,20	9,00	A	62X80X9	S	32	64,00	119,72	120,00	12,00	A	*64X120X12	S	32
62,00	80,00	80,20	10,00	A	*62X80X10V	V	35	64,00	132,00	132,10	13,00	A	710277	N	#
62,00	80,00	80,28	10,00	A	62X80X10	S	35	65,00	74,75	75,00	8,00	A	*65X75X8	S	32
62,00	80,00	80,30	12,00	A	*713156	N	48	65,00	74,75	75,00	10,00	A	*65X75X10	S	32
62,00	80,00	80,80	12,00	A	*713017	V	32	65,00	74,75	75,00	12,00	A	*65X75X12	S	32
62,00	81,72	82,00	10,00	A	*62X82X10	S	32	65,00	77,72	78,00	12,00	A	*65X78X12	S	32
62,00	82,00	82,20	8,00	A	*62X82X8	S	32	65,00	79,72	80,00	10,00	A	*65X80X10	S	32
62,00	84,72	85,00	10,00	A	*62X85X10	S	32	65,00	79,72	80,00	12,00	A	*65X80X12	S	32
62,00	84,72	85,00	12,00	A	*62X85X12	S	32	65,00	80,00	80,20	8,00	A	*65X80X8V	V	32
62,00	84,72	85,00	13,00	A	*62X85X13	S	32	65,00	80,00	80,28	8,00	A	65X80X8	S	32
62,00	85,00	85,30	10,00	A	*713131	N	47	65,00	81,00	81,28	7,00	A	226510▶	N	32
62,00	85,00	85,13	8,00	A	62X85X8	S	41	65,00	81,72	82,00	9,00	A	*65X82X9	S	32
62,00	85,00	85,13	8,00	A	226285	S	41	65,00	81,72	82,00	12,00	A	*65X82X12	S	32
62,00	85,00	85,13	8,00	A	*414072	S	41	65,00	82,00	82,09	8,00	A	710094	S	66
62,00	88,00	88,20	8,00	A	62X88X8	S	32	65,00	82,00	82,20	8,00	A	*65X82X8	S	32
62,00	88,72	89,00	12,00	A	*62X89X12	S	32	65,00	84,00	84,30	9,00	A	712005▶	H	32
62,00	89,72	90,00	13,00	A	*62X90X13	S	32	65,00	84,72	85,00	12,00	A	*65X85X12	S	32
62,00	90,00	90,28	10,00	A	62X90X10	S	35	65,00	84,72	85,00	13,00	A	*65X85X13	S	32
62,00	92,00	92,20	8,00	A	62X92X8	S	32	65,00	85,00	85,30	13,00	A	*713132	V	32
62,00	94,72	95,00	12,00	A	*62X95X12	S	32	65,00	85,00	85,10	10,00	A	710373	S	47
62,00	99,72	100,00	10,00	A	*62X100X10	S	32	65,00	85,00	85,20	8,00	A	65X85X8	S	35
62,00	99,72	100,00	12,00	A	*62X100X12	S	32	65,00	85,00	85,20	8,00	A	*65X85X8V	V	35
62,00	100,00	100,40	12,00	A	*713129	N	47	65,00	85,00	85,27	10,00	A	226520	S	35
62,00	100,00	100,20	8,00	A	*62X100X8	S	32	65,00	85,00	85,27	10,00	A	65X85X10	S	35
62,00	100,00	100,30	7,00	A	62X100X7	S	32	65,00	87,72	88,00	12,00	A	*65X88X12	S	32
62,00	109,72	110,00	13,00	A	*62X110X13	S	32	65,00	87,72	88,00	13,00	A	*65X88X13	S	32
63,00	78,00	78,20	8,00	A	*63X78X8	S	32	65,00	88,00	88,20	8,00	A	65X88X8	S	35
63,00	79,72	80,00	9,00	A	*63X80X9	S	32	65,00	88,00	88,20	10,00	A	65X88X10	S	32
63,00	80,00	80,20	8,00	A	*63X80X8	S	32	65,00	88,00	88,20	12,00	A	710367▶	S	40
63,00	80,00	80,30	12,00	A	*713068	S	47	65,00	89,72	90,00	8,00	A	*65X90X8	S	32
63,00	82,00	82,20	8,00	A	*63X82X8	S	32	65,00	89,72	90,00	12,00	A	*65X90X12	S	32
63,00	82,22	82,50	10,00	A	*63X82.5X10	S	32	65,00	90,00	90,20	7,00	A	65X90X7	S	32
62,99	84,07	84,23	12,70	A	6785	F	35	65,00	90,00	90,20	10,00	A	*65X90X10V	V	32
63,00	84,72	85,00	12,00	A	*63X85X12	S	32	65,00	90,00	90,20	13,00	A	65X90X13	S	35
63,00	85,00	85,28	10,00	A	63X85X10	S	32	65,00	90,00	90,28	10,00	A	226530	S	35
63,00	87,72	88,00	12,00	A	*63X88X12	S	32	65,00	90,00	90,28	10,00	A	65X90X10	S	35
63,00	88,00	88,20	8,00	A	*63X88X8	S	32	65,00	94,72	95,00	10,00	A	*65X95X10	S	32
63,00	89,72	90,00	12,00	A	*63X90X12	S	32	65,00	94,72	95,00	12,00	A	*65X95X12	S	32
63,00	90,00	90,14	10,00	A	63X90X10	S	32	65,00	94,72	95,00	13,00	A	*65X95X13	S	32
63,00	90,00	90,10	7,00	A	1935	S	47	65,00	94,72	95,00	14,00	A	*65X95X14	S	32
63,00	99,72	100,00	10,00	A	*63X100X10	S	32	65,00	95,00	95,20	7,00	A	65X95X7	S	32
63,00	99,72	100,00	13,00	A	*63X100X13	S	32	65,00	95,00	95,20	8,00	A	*65X95X8	S	32
63,50	84,72	85,00	12,00	A	*63.5X85X12	S	32	65,00	99,72	100,00	9,50	A	*65X100X9.5	S	32
64,00	76,00	76,20	7,00	A	710256	S	#	65,00	99,72	100,00	12,00	A	*65X100X12	S	32
64,00	77,00	77,20	8,00	A	710130	S	#	65,00	99,72	100,00	13,00	A	*65X100X13	S	32
								65,00	100,00	100,20	10,00	A	*65X100X10V	V	35
								65,00	100,00	100,28	10,00	A	65X100X10	S	35
								65,00	100,00	100,30	7,00	A	65X100X7	S	32
								65,00	101,72	102,00	13,00	A	*65X102X13	S	32
								65,00	104,72	105,00	12,00	A	*65X105X12	S	32

For Illustration and Material Data See Technical Section

Designed For A Specific Application - Not Recommended For General Use ▶ Hydrodynamic Lip Design-CW ◀ Hydrodynamic Lip Design-CCW

Metric List Sizes & Type

Shaft Size	Hsg. Bore	Seal O.D.	Seal Width	Grp.	Part No.	Lip Mat'l	Illus./ Type	Shaft Size	Hsg. Bore	Seal O.D.	Seal Width	Grp.	Part No.	Lip Mat'l	Illus./ Type
65,00	105,00	105,20	8,00	A	*65X105X8	S	32	70,00	88,00	88,20	8,00	A	*713071	V	32
65,00	109,72	110,00	10,00	A	*65X110X10	S	32	70,00	88,00	88,20	9,00	A	*70X88X9V	V	35
65,00	109,72	110,00	12,00	A	*65X110X12	S	32	70,00	88,00	88,25	8,00	A	70X88X8	S	48
65,00	109,72	110,00	13,00	A	*65X110X13	S	32	70,00	88,00	88,25	12,00	A	70X88X12	S	32
65,00	110,00	110,20	8,00	A	*65X110X8	S	32	70,00	88,00	88,25	12,00	A	227020◀	H	32
65,00	114,72	115,00	12,00	A	*65X115X12	S	32	70,00	89,72	90,00	8,00	A	*70X90X8	S	32
65,00	114,72	115,00	13,00	A	*65X115X13	S	32	70,00	89,72	90,00	12,00	A	*70X90X12	S	32
65,00	115,00	115,20	8,00	A	*65X115X8	S	32	70,00	89,72	90,00	13,00	A	*70X90X13	S	32
65,00	119,72	120,00	13,00	A	*65X120X13	S	32	70,00	90,00	90,10	10,00	A	*713164	N	48
65,00	120,00	120,20	8,00	A	*65X120X8	S	32	70,00	90,00	90,20	7,00	A	70X90X7	S	32
65,00	139,70	140,00	14,00	A	*65X140X14	S	32	70,00	90,00	90,20	10,00	A	*70X90X10V	V	32
66,00	80,00	80,11	9,00	A	226610	N	41	70,00	90,00	90,30	10,00	A	*713072	N	32
66,00	85,00	85,12	10,00	A	710092	S	41	70,00	90,00	90,30	13,50	A	*713073	S	47
67,00	81,72	82,00	7,00	A	*67X82X7	S	32	70,00	90,00	90,30	15,00	A	*713083	V	48
68,00	82,00	82,20	7,00	A	68X82X7	S	35	70,00	90,00	90,32	10,00	A	70X90X10	S	35
68,00	82,00	82,20	7,00	A	710378	S	35	70,00	90,00	90,32	10,00	A	227040◀	H	35
68,00	84,00	84,23	8,50	A	710234◀	N	32	70,00	90,00	90,40	10,00	A	*71162	S	35
68,00	84,72	85,00	10,00	A	*68X85X10	S	32	70,00	92,00	92,15	11,90	A	*477936H	H	47
68,00	85,00	85,20	8,00	A	68X85X8	S	35	70,00	92,00	92,20	12,00	A	70X92X12	S	32
68,00	86,00	86,20	8,00	A	710334◀	N	32	70,00	92,00	92,23	12,00	A	227045	H	47
68,00	86,00	86,31	8,00	A	226820➔	H	32	70,00	94,72	95,00	12,00	A	*70X95X12	S	32
68,00	88,00	88,20	8,00	A	*68X88X8	S	32	70,00	95,00	95,20	10,00	A	*70X95X10V	V	35
68,00	88,00	88,20	8,00	A	710446➔	S	35	70,00	95,00	95,28	10,00	A	70X95X10	S	35
68,00	89,00	89,20	11,00	A	712511➔	V	32	70,00	95,00	95,28	13,00	A	70X95X13	S	35
68,00	89,72	90,00	8,00	A	*68X90X8	S	32	70,00	99,72	100,00	12,00	A	*70X100X12	S	32
68,00	89,72	90,00	12,00	A	*68X90X12	S	32	70,00	99,72	100,00	14,00	A	*70X100X14	S	32
68,00	89,72	90,00	13,00	A	*68X90X13	S	32	70,00	100,00	100,20	10,00	A	70X100X10	S	32
68,00	90,00	90,10	12,00	A	710440	S	47	70,00	100,00	100,20	10,00	A	*70X100X10V	V	35
68,00	90,00	90,15	10,00	A	712108➔	T	FW-H	70,00	100,00	100,28	13,00	A	70X100X13	S	35
68,00	90,00	90,20	7,00	A	68X90X7	S	32	70,00	100,00	100,28	13,00	A	70X100X13	S	35
68,00	90,00	90,20	10,00	A	*68X90X10V	V	32	70,00	101,60	101,83	11,91	A	40392◀	T	FW-H
68,00	90,00	90,32	10,00	A	68X90X10	S	35	70,00	101,72	102,00	13,00	A	*70X102X13	S	32
68,00	94,72	95,00	13,00	A	*68X95X13	S	32	70,00	104,72	105,00	12,00	A	*70X105X12	S	32
68,00	95,00	95,20	8,00	A	*68X95X8	S	32	70,00	105,00	105,20	10,00	A	*70X105X10	S	32
68,00	95,00	95,20	10,00	A	68X95X10	S	35	70,00	105,00	105,20	13,00	A	70X105X13	S	35
68,00	95,00	95,30	13,00	A	226840	V	#	70,00	105,00	105,30	7,00	A	70X105X7	S	32
68,00	97,72	98,00	10,00	A	*68X98X10	S	32	70,00	109,72	110,00	12,00	A	*70X110X12	S	32
68,00	99,72	100,00	12,00	A	*68X100X12	S	32	70,00	109,72	110,00	13,00	A	*70X110X13	S	32
68,00	100,00	100,20	10,00	A	68X100X10	S	35	70,00	110,00	110,20	10,00	A	70X110X10	S	35
68,00	100,00	100,28	13,00	A	68X100X13	S	35	70,00	111,72	112,00	13,00	A	*70X112X13	S	32
68,00	124,00	124,10	12,00	A	710275◀	N	40	70,00	112,00	112,10	14,00	A	710339	S	25
69,00	85,00	85,20	10,00	A	*713070	S	47	70,00	114,72	115,00	13,00	A	*70X115X13	S	32
69,00	91,72	92,00	12,00	A	*69X92X12	S	32	70,00	114,72	115,00	15,00	A	*70X115X15	S	32
70,00	-	90,00	10,00	A	*713134	V	32	70,00	119,72	120,00	13,00	A	*70X120X13	S	32
70,00	-	90,00	12,00	A	*713135	N	32	70,00	120,00	120,40	13,00	A	*713137	S	47
70,00	-	100,00	12,00	A	*713133	N	47	71,00	87,72	88,00	8,00	A	*71X88X8	S	32
70,00	79,72	80,00	10,00	A	*70X80X10	S	32	72,00	85,72	86,00	7,50	A	*72X86X7.5	S	32
70,00	82,72	83,00	10,00	A	*70X83X10	S	32	72,00	88,00	88,25	8,00	A	1986	S	48
70,00	84,72	85,00	9,00	A	*70X85X9	S	32	72,00	89,72	90,00	8,00	A	*72X90X8	S	32
70,00	84,72	85,00	10,00	A	*70X85X10	S	32	72,00	90,00	90,20	10,00	A	72X90X10	S	35
70,00	85,00	85,10	8,00	A	*713022	V	48	72,00	91,72	92,00	12,00	A	*72X92X12	S	32
70,00	85,00	85,28	8,00	A	70X85X8	S	35	72,00	93,72	94,00	12,00	A	*72X94X12	S	32
70,00	86,72	87,00	10,00	A	*70X87X10	S	32	72,00	94,72	95,00	12,00	A	*72X95X12	S	32
70,00	87,00	87,40	8,50	A	1021◀	V	32	72,00	94,72	95,00	13,00	A	*72X95X13	S	32
70,00	87,00	87,40	8,50	A	1021V◀	V	32	72,00	95,00	95,28	10,00	A	72X95X10	S	35
70,00	87,72	88,00	10,00	A	*70X88X10	S	32	72,00	96,00	96,28	9,00	A	227235◀	H	32
								72,00	100,00	100,20	10,00	A	72X100X10	S	35
								72,00	100,00	100,31	12,00	A	72X100X12◀➔	S	32
								72,00	104,72	105,00	13,00	A	*72X105X13	S	32
								72,00	105,00	105,20	10,00	A	*72X105X10	S	32

METRIC SECTION

For Illustration and Material Data See Technical Section

Designed For A Specific Application - Not Recommended For General Use ➔ Hydrodynamic Lip Design-CW ◀ Hydrodynamic Lip Design-CCW

◀➔ Hydrodynamic Lip Design-Bidirectional

* The U.S. customer service number is 877-4-TIMKEN. The Canadian customer service numbers are 800-565-4927 (English) and 800-565-0438 (French-Canadian).

Shaft Size	Hsg. Bore	Seal O.D.	Seal Width	Grp.	Part No.	Lip Mat'l	Illus./ Type	Shaft Size	Hsg. Bore	Seal O.D.	Seal Width	Grp.	Part No.	Lip Mat'l	Illus./ Type
72,00	110,00	110,20	10,00	A	*72X110X10	S	32	76,00	93,72	94,00	12,00	A	*76X94X12	S	32
73,00	86,00	86,28	5,00	A	239129	S	#	76,00	98,00	98,20	12,00	A	227610➔	H	32
74,00	88,00	88,30	8,00	A	*713074	V	32	76,00	102,00	102,20	9,50	A	710375	S	#
74,00	89,72	90,00	10,00	A	*74X90X10	S	32	76,00	104,72	105,00	12,00	A	*76X105X12	S	32
74,00	90,00	90,15	10,00	A	227409◀	H	32	76,00	104,72	105,00	13,00	A	*76X105X13	S	32
74,00	90,00	90,30	10,00	A	*713075	N	32	77,00	99,72	100,00	10,00	A	*77X100X10	S	32
74,00	90,00	90,30	10,00	A	*713076	V	32	77,00	100,10	100,30	11,00	A	*712138	N	35
74,00	93,72	94,00	10,00	A	*74X94X10	S	32	78,00	95,00	95,20	10,00	A	*78X95X10	S	32
74,00	94,72	95,00	7,00	A	*74X95X7	S	32	78,00	99,72	100,00	13,00	A	*78X100X13	S	32
74,00	98,00	98,20	12,00	A	227410➔	H	32	78,00	100,00	100,27	10,00	A	78X100X10	S	35
74,00	99,72	100,00	13,00	A	*74X100X13	S	32	78,00	100,00	100,30	10,00	A	*713138	V	32
75,00	83,00	87,00	4,00	A	710240%	S	#	78,00	105,00	105,20	10,00	A	78X105X10	S	32
75,00	89,72	90,00	12,00	A	*75X90X12	S	32	78,00	109,72	110,00	12,00	A	*78X110X12	S	32
75,00	90,00	90,20	8,00	A	75X90X8	S	32	78,00	109,72	110,00	13,00	A	*78X110X13	S	32
75,00	90,00	90,25	10,00	A	75X90X10	S	32	78,00	110,00	110,20	10,00	A	*78X110X10	S	32
75,00	91,72	92,00	12,00	A	*75X92X12	S	32	78,00	115,00	115,20	10,00	A	78X115X10	S	32
75,00	93,00	93,12	8,00	A	39804➔	T	FW-H	80,00	94,72	95,00	8,00	A	*80X95X8	S	32
75,00	94,72	95,00	8,00	A	*75X95X8	S	32	80,00	96,00	96,28	9,00	A	228005◀	V	32
75,00	94,72	95,00	12,00	A	*75X95X12	S	32	80,00	97,72	98,00	10,00	A	*80X98X10	S	32
75,00	94,72	95,00	13,00	A	*75X95X13	S	32	80,00	98,00	98,40	10,00	A	228008◀	V	32
75,00	95,00	95,20	10,00	A	*75X95X10V	V	32	80,00	99,72	100,00	8,00	A	*80X100X8	S	32
75,00	95,00	95,28	10,00	A	227530	S	35	80,00	99,72	100,00	12,00	A	*80X100X12	S	32
75,00	95,00	95,28	10,00	A	75X95X10	S	35	80,00	99,72	100,00	13,00	A	*80X100X13	S	32
75,00	95,00	95,27	10,00	A	716445	V	35	80,00	100,00	100,20	10,00	A	80X100X10	S	35
75,00	99,72	100,00	13,00	A	*75X100X13	S	32	80,00	100,00	100,20	10,00	A	*80X100X10V	V	32
75,00	100,00	100,10	13,00	A	710384	S	25	80,00	100,00	100,20	10,00	A	228015➔	H	32
75,00	100,00	100,20	10,00	A	75X100X10	S	32	80,00	100,00	100,20	10,00	A	228011◀	V	32
75,00	100,00	100,20	10,00	A	*75X100X10V	V	32	80,00	100,00	100,23	10,00	A	228009◀	H	32
75,00	100,00	100,20	12,00	A	227540	S	32	80,00	100,00	100,30	10,00	A	*713077	N	47
75,00	100,00	100,27	12,00	A	75X100X12	S	32	80,00	100,00	100,30	10,00	A	*713151	V	32
75,00	100,00	100,27	13,00	A	227550◀	H	32	80,00	100,00	100,35	13,00	A	228010◀	H	32
75,00	100,00	100,30	10,00	A	*713085	N	48	80,00	100,00	100,40	10,00	A	712111➔	T	FW-H
75,00	100,00	100,30	17,00	A	*713084	V	48	80,00	100,00	100,40	13,00	A	712115➔	T	FW-H
75,00	101,72	102,00	13,00	A	*75X102X13	S	32	80,00	100,00	100,40	13,00	A	712120➔	T	FW-H
75,00	104,72	105,00	15,00	A	*75X105X15	S	32	80,00	100,00	100,40	13,00	A	712123➔	T	FW-H
75,00	105,00	105,27	13,00	A	75X105X13	S	32	80,00	104,72	105,00	12,00	A	*80X105X12	S	32
75,00	105,00	105,40	12,00	A	*713136	N	48	80,00	105,00	105,20	10,00	A	80X105X10	S	32
75,00	105,72	106,00	10,00	A	*75X106X10	S	32	80,00	105,00	105,20	12,00	A	*80X105X12V	V	35
75,00	109,72	110,00	13,00	A	*75X110X13	S	32	80,00	105,00	105,27	13,00	A	80X105X13	S	48
75,00	110,00	110,20	10,00	A	*75X110X10	S	32	80,00	105,00	105,27	14,00	A	*80X105X14	S	32
75,00	110,00	110,20	12,00	A	75X110X12	S	32	80,00	105,00	105,27	14,00	A	228020	S	32
75,00	112,00	112,10	10,00	A	710376	S	#	80,00	109,72	110,00	13,00	A	*80X110X13	S	32
75,00	112,00	112,17	10,00	A	710087	S	45	80,00	110,00	110,20	10,00	A	*80X110X10V	V	32
75,00	114,72	115,00	9,50	A	*75X115X9.5	S	32	80,00	110,00	110,28	10,00	A	80X110X10	S	32
75,00	114,72	115,00	13,00	A	*75X115X13	S	32	80,00	110,00	110,28	12,00	A	228030	S	35
75,00	115,00	115,20	10,00	A	*75X115X10	S	32	80,00	110,00	110,28	12,00	A	80X110X12	S	35
75,00	115,00	115,30	12,00	A	75X115X12	S	35	80,00	110,00	110,30	13,00	A	*713139	N	47
75,00	119,72	120,00	12,00	A	*75X120X12	S	32	80,00	114,72	115,00	10,00	A	*80X115X10	S	32
75,00	120,00	120,12	8,13	A	200322	S	200	80,00	114,72	115,00	13,00	A	*80X115X13	S	32
75,00	120,00	120,20	10,00	A	75X120X10	S	32	80,00	115,00	115,20	12,00	A	*80X115X12	S	32
75,00	133,70	134,00	10,00	A	*75X134X10	S	32	80,00	120,00	120,20	10,00	A	80X120X10	S	32
76,00	91,72	92,00	10,00	A	*76X92X10	S	32	80,00	120,00	120,28	13,00	A	80X120X13	S	32
76,00	92,00	92,28	9,50	A	4307V◀	V	32	80,00	124,72	125,00	10,00	A	*80X125X10	S	32
76,00	92,00	92,28	9,60	A	327995◀	V	32	80,00	124,72	125,00	13,00	A	*80X125X13	S	32
76,00	93,00	93,30	10,00	A	1019◀	H	32	80,00	124,72	125,00	14,00	A	*80X125X14	S	32
								80,00	125,00	125,20	12,00	A	*80X125X12	S	32
								80,00	129,70	130,00	13,00	A	*80X130X13	S	32

For Illustration and Material Data See Technical Section

Designed For A Specific Application - Not Recommended For General Use ➔ Hydrodynamic Lip Design-CW ◀ Hydrodynamic Lip Design-CCW % External Bore

Metric List Sizes & Type

Shaft Size	Hsg. Bore	Seal O.D.	Seal Width	Grp.	Part No.	Lip Mat'l	Illus./ Type	Shaft Size	Hsg. Bore	Seal O.D.	Seal Width	Grp.	Part No.	Lip Mat'l	Illus./ Type
80,00	130,00	130,20	12,00	A	*80X130X12	S	32	88,00	107,72	108,00	11,00	A	*88X108X11	S	32
80,00	135,00	135,20	12,00	A	*80X135X12	S	32	88,00	108,00	108,36	11,10	A	3772◀	H	35
80,00	140,00	140,20	12,00	A	*80X140X12	S	32	88,00	108,00	108,36	11,10	A	*100239T◀	T	FW-H
82,00	99,50	99,77	12,70	A	320691◀	V	32	88,00	110,00	110,28	12,00	A	88X110X12	S	35
82,00	105,00	105,25	13,00	A	82X105X13	S	25	88,00	115,00	115,20	12,00	A	*88X115X12	S	32
82,00	105,00	105,30	13,00	A	1945◀	H	32	88,00	120,00	120,20	12,00	A	*88X120X12	S	32
82,00	105,00	105,30	13,00	A	228480◀	H	#	89,00	105,00	105,20	10,00	A	710189◀	V	47
83,00	100,00	100,20	9,00	A	228250◀	H	32	89,00	109,00	109,20	9,00	A	229004◀	H	32
83,00	103,72	104,00	9,00	A	*83X104X9	S	32	90,00	99,72	100,00	7,00	A	*90X100X7	S	32
83,00	109,72	110,00	13,00	A	*83X110X13	S	32	90,00	99,72	100,00	12,00	A	*90X100X12	S	32
83,00	116,72	117,00	14,00	A	*83X117X14	S	32	90,00	104,00	104,10	11,00	A	710237◀	V	32
84,00	99,72	100,00	10,00	A	*84X100X10	S	32	90,00	104,72	105,00	12,00	A	*90X105X12	S	32
84,00	100,00	100,10	10,00	A	710294	S	47	90,00	104,72	105,00	13,00	A	*90X105X13	S	32
84,00	100,00	100,20	12,00	A	*84X100X12	S	32	90,00	108,00	108,23	10,00	A	710219◀	N	32
84,00	104,00	104,28	11,00	A	228410◀	V	32	90,00	109,72	110,00	10,00	A	*90X110X10	S	32
84,00	105,00	105,40	12,00	A	*713018	V	32	90,00	110,00	110,20	9,00	A	229006◀	H	32
84,00	118,00	118,10	7,00	A	710363◀	V	#	90,00	110,00	110,20	12,00	A	90X110X12	S	35
85,00	-	102,57	25,40	A	*100467▶	T	#	90,00	110,00	110,20	12,00	A	*90X110X12V	V	32
85,00	99,72	100,00	9,00	A	*85X100X9	S	32	90,00	110,00	110,20	12,00	A	*90X110X12V	V	32
85,00	99,72	100,00	10,00	A	*85X100X10	S	32	90,00	110,00	110,31	8,50	A	229010◀	H	32
85,00	99,72	100,00	12,00	A	*85X100X12	S	32	90,00	110,00	110,31	12,00	A	229005◀	V	32
85,00	104,72	105,00	12,00	A	*85X105X12	S	32	90,00	110,00	110,31	13,00	A	*90X110X13	S	35
85,00	105,00	105,28	10,00	A	85X105X10	S	32	90,00	110,00	110,40	12,00	A	712124▶	T	FW-H
85,00	105,00	105,28	10,00	A	716102◀	H	32	90,00	111,72	112,00	12,00	A	*90X112X12	S	32
85,00	105,00	105,28	13,00	A	85X105X13	S	32	90,00	112,42	112,70	13,00	A	*90X112.7X13	S	32
85,00	105,00	105,40	12,00	A	*713148	V	32	90,00	114,72	115,00	10,00	A	*90X115X10	S	32
85,00	109,72	110,00	13,00	A	*85X110X13	S	32	90,00	114,72	115,00	13,00	A	*90X115X13	S	32
85,00	110,00	110,20	10,00	A	85X110X10	S	35	90,00	115,00	115,14	17,12	A	*4789S◀▶	S	#
85,00	110,00	110,20	12,00	A	*85X110X12V	V	32	90,00	115,00	115,20	12,00	A	90X115X12	S	32
85,00	110,00	110,28	12,00	A	228520	S	35	90,00	117,72	118,00	12,00	A	*90X118X12	S	32
85,00	110,00	110,28	12,00	A	85X110X12	S	35	90,00	119,72	120,00	13,00	A	*90X120X13	S	32
85,00	110,00	110,40	12,00	A	*713140	V	45	90,00	120,00	120,20	12,00	A	*90X120X12V	V	35
85,00	110,00	110,40	13,00	A	*713141	N	48	90,00	120,00	120,28	12,00	A	90X120X12◀▶	S	32
85,00	110,72	111,00	10,00	A	*85X111X10	S	32	90,00	124,72	125,00	15,00	A	*90X125X15	S	32
85,00	113,00	113,20	10,50	A	710330	N	#	90,00	125,00	125,20	12,00	A	*90X125X12	S	32
85,00	114,22	114,50	12,00	A	*85X114.5X12	S	32	90,00	125,00	125,30	13,00	A	90X125X13	S	32
85,00	114,72	115,00	15,00	A	*85X115X15	S	32	90,00	125,00	125,70	7,00	A	90X125X7	S	32
85,00	115,00	115,00	13,00	A	85X115X13	S	35	90,00	129,70	130,00	10,00	A	*90X130X10	S	32
85,00	115,00	115,20	12,00	A	*85X115X12	S	32	90,00	129,70	130,00	13,00	A	*90X130X13	S	32
85,00	119,72	120,00	10,00	A	*85X120X10	S	32	90,00	130,00	130,20	12,00	A	*90X130X12	S	32
85,00	119,72	120,00	13,00	A	*85X120X13	S	32	90,00	130,00	130,40	13,00	A	*713142	V	48
85,00	119,72	120,00	15,00	A	*85X120X15	S	32	90,00	134,70	135,00	13,00	A	*90X135X13	S	32
85,00	120,00	120,28	12,00	A	85X120X12	S	32	90,00	135,00	135,20	12,00	A	*90X135X12	S	32
85,00	124,72	125,00	13,00	A	*85X125X13	S	32	90,00	140,00	140,20	12,00	A	*90X140X12	S	32
85,00	124,72	125,00	14,00	A	*85X125X14	S	32	90,00	145,00	145,20	14,00	A	90X145X14	S	32
85,00	125,00	125,20	12,00	A	85X125X12	S	32	90,00	157,86	158,00	14,27	A	39865▶	T	#
85,00	129,70	130,00	12,00	A	*85X130X12	S	32	90,00	159,70	160,00	10,00	A	*90X160X10	S	32
85,00	129,70	130,00	14,00	A	*85X130X14	S	32	91,00	110,00	110,26	8,50	A	229210◀▶	V	32
85,00	130,00	130,15	12,70	A	85X130X13	S	48	91,01	111,00	111,13	10,01	A	*100052T◀	T	FW-H
85,00	130,00	130,15	12,70	A	*476516	S	47	91,00	111,00	111,20	10,00	A	710056◀	V	47
85,00	139,70	140,00	12,00	A	*85X140X12	S	32	92,00	119,72	120,00	12,00	A	*92X120X12	S	32
86,00	99,72	100,00	10,00	A	*86X100X10	S	32	92,00	120,00	120,24	13,00	A	92X120X13	S	35
86,00	103,00	103,23	10,00	A	710235◀	V	32	93,00	114,00	114,20	14,00	A	710288◀	S	32
86,00	104,00	104,23	11,00	A	710232◀	V	32	93,00	154,00	154,10	8,00	A	710266	S	#
87,00	100,00	100,20	8,00	A	228700◀	H	32	95,00	104,72	105,00	13,00	A	*95X105X13	S	32
88,00	106,00	106,28	8,50	A	710188◀	V	32	95,00	109,72	110,00	11,00	A	*95X110X11	S	32
								95,00	109,72	110,00	12,00	A	*95X110X12	S	32

METRIC SECTION

For Illustration and Material Data See Technical Section

Designed For A Specific Application - Not Recommended For General Use ▶ Hydrodynamic Lip Design-CW ◀ Hydrodynamic Lip Design-CCW

◀▶ Hydrodynamic Lip Design-Bidirectional

* The U.S. customer service number is 877-4-TIMKEN. The Canadian customer service numbers are 800-565-4927 (English) and 800-565-0438 (French-Canadian).

Shaft Size	Hsg. Bore	Seal O.D.	Seal Width	Grp.	Part No.	Lip Mat'l	Illus./ Type	Shaft Size	Hsg. Bore	Seal O.D.	Seal Width	Grp.	Part No.	Lip Mat'l	Illus./ Type
95,00	110,00	110,20	10,00	A	95X110X10	S	32	100,00	130,00	130,20	12,00	A	*100X130X12V	V	32
95,00	110,00	110,26	11,00	A	717005◀	S	32	100,00	130,00	130,28	12,00	A	100X130X12	S	35
95,00	113,00	113,10	10,00	A	710352◀	V	47	100,00	130,00	130,40	12,00	A	*713089	N	48
95,00	114,99	115,32	12,50	A	*100203T◀	T	FW-H	100,00	130,00	130,40	13,50	A	*713090	N	45
95,00	115,00	115,20	13,00	A	*95X115X13V	V	32	100,00	130,00	130,40	13,50	A	*713091	S	41
95,00	115,00	115,25	10,00	A	717006	S	45								
95,00	115,00	115,28	12,00	A	95X115X12	S	35	100,00	134,70	135,00	12,00	A	*100X135X12	S	32
95,00	115,00	115,28	13,00	A	*95X115X13	S	35	100,00	134,70	135,00	13,00	A	*100X135X13	S	32
95,00	115,00	115,32	12,12	A	*600305◀	T	#	100,00	134,70	135,00	14,00	A	*100X135X14	S	32
95,00	115,00	115,31	12,50	A	4359V◀	V	32								
95,00	115,00	115,40	13,50	A	*713143	N	45	100,00	135,00	135,20	10,00	A	710351◀	H	32
95,00	118,00	118,16	8,50	A	710060◀	H	32	100,00	135,00	135,20	15,00	A	710391◀	H	94
95,00	119,72	120,00	8,00	A	*95X120X8	S	32	100,00	139,70	140,00	12,00	A	*100X140X12	S	32
95,00	119,72	120,00	13,00	A	*95X120X13	S	32	100,00	139,70	140,00	13,00	A	*100X140X13	S	32
95,00	120,00	120,20	12,00	A	*95X120X12V	V	35	100,00	145,00	145,10	26,00	A	710278	N	#
95,00	120,00	120,28	12,00	A	95X120X12	S	35	100,00	149,70	150,00	10,00	A	*100X150X10	S	32
95,00	120,00	120,40	13,00	A	*713086	V	48	100,00	149,70	150,00	13,00	A	*100X150X13	S	32
95,00	124,72	125,00	13,00	A	*95X125X13	S	32	101,00	114,00	114,10	10,00	A	710371	S	25
95,00	125,00	125,28	12,00	A	95X125X12	S	35	102,00	125,00	125,20	12,00	A	*102X125X12	S	32
95,00	129,70	130,00	13,00	A	*95X130X13	S	32	102,00	130,00	130,28	13,00	A	102X130X13	S	35
95,00	130,00	130,28	12,00	A	95X130X12	S	35	105,00	120,00	120,20	11,00	A	231052	H	32
95,00	130,00	130,28	12,00	A	229520	S	35	105,00	124,72	125,00	12,00	A	*105X125X12	S	32
95,00	132,00	132,26	12,00	A	710085	S	#	105,00	125,00	125,28	13,00	A	105X125X13	S	32
95,00	134,70	135,00	13,00	A	*95X135X13	S	32	105,00	129,70	130,00	13,00	A	*105X130X13	S	32
95,00	172,00	172,09	28,00	A	39926▶	T	W-H	105,00	129,70	130,00	15,00	A	*105X130X15	S	32
95,25	120,37	120,65	12,70	A	*95.25X120.65X12S	S	32	105,00	130,00	130,16	11,00	A	712107▶	T	FW-H
96,00	116,00	116,26	9,00	A	710262◀	V	32	105,00	130,00	130,20	12,00	A	*105X130X12V	V	32
96,00	117,00	117,28	12,00	A	710205◀	V	32	105,00	130,00	130,25	12,00	A	712004◀	V	32
96,00	135,00	135,76	13,00	A	*713144	S	47	105,00	130,00	130,28	12,00	A	105X130X12	S	35
97,99	114,94	115,32	15,75	A	100085◀	T	#	105,00	134,70	135,00	13,00	A	*105X135X13	S	32
								105,00	134,70	135,00	14,00	A	*105X135X14	S	32
98,00	120,00	120,20	13,00	A	98X120X13	S	35	105,00	134,70	135,00	15,00	A	*105X135X15	S	32
100,00	113,72	114,00	10,00	A	*100X114X10	S	32	105,00	135,00	135,20	12,00	A	*105X135X12	S	32
100,00	114,00	114,10	12,00	A	710410	S	47	105,00	135,00	135,20	14,50	A	710349◀	V	#
								105,00	136,00	136,40	13,00	A	*713092	S	#
100,00	114,72	115,00	9,00	A	*100X115X9	S	32	105,00	139,70	140,00	13,00	A	*105X140X13	S	32
100,00	114,72	115,00	10,00	A	*100X115X10	S	32	105,00	139,70	140,00	15,00	A	*105X140X15	S	32
100,00	114,72	115,00	12,00	A	*100X115X12	S	32								
100,00	118,00	118,40	12,00	A	*713088	N	48	105,00	140,00	140,28	12,00	A	105X140X12	S	35
100,00	118,00	188,40	12,00	A	*713024	V	32	105,00	144,70	145,00	15,00	A	*105X145X15	S	32
100,00	119,72	120,00	11,00	A	*100X120X11	S	32	105,00	145,00	145,20	12,00	A	*105X145X12	S	32
100,00	119,72	120,00	13,00	A	*100X120X13	S	32	105,00	160,00	160,20	15,00	A	*105X160X15	S	32
100,00	120,00	120,20	12,00	A	*100X120X12V	V	32	106,00	123,00	123,10	11,00	A	710295	S	47
100,00	120,00	120,25	11,00	A	*712105◀	T	W								
100,00	120,00	120,12	11,00	A	231004	H	32	106,00	125,72	126,00	12,00	A	*106X126X12	S	32
100,00	120,00	120,28	12,00	A	231002	S	35	106,00	126,00	126,20	12,00	A	710366◀	H	32
100,00	120,00	120,28	12,00	A	100X120X12	S	35								
100,00	120,00	120,30	10,00	A	100X120X10	S	35	108,00	135,00	135,40	15,00	A	*713093	V	47
100,00	123,85	123,98	12,70	A	417967	S	41								
100,00	123,85	123,98	12,70	A	*717003	S	41	110,00	124,72	125,00	12,00	A	*110X125X12	S	32
100,00	123,85	123,98	15,88	A	455186	S	45	110,00	129,70	130,00	13,00	A	*110X130X13	S	32
100,00	123,85	124,00	15,88	A	*415186	S	41								
100,00	124,00	124,20	13,00	A	710290◀	V	32	110,00	130,00	130,10	13,00	A	*713094	S	47
								110,00	130,00	130,18	12,70	A	2261◀	V	47
100,00	124,72	125,00	10,00	A	*100X125X10	S	32	110,00	130,00	130,20	12,00	A	*110X130X12V	V	32
100,00	124,72	125,00	13,00	A	*100X125X13	S	32	110,00	130,00	130,28	12,00	A	110X130X12	S	35
								110,00	130,00	130,40	13,00	A	712112◀	T	W
100,00	125,00	125,20	12,00	A	*100X125X12V	V	35	110,00	135,00	135,20	12,00	A	*110X135X12	S	32
100,00	125,00	125,28	12,00	A	231003	S	35	110,00	135,00	135,30	13,00	A	110X135X13	S	32
100,00	125,00	125,28	12,00	A	100X125X12	S	35	110,00	135,00	135,30	13,00	A	*713078	V	47
100,00	125,00	125,40	13,00	A	*713147	V	47								
								110,00	139,70	140,00	14,00	A	*110X140X14	S	32
100,00	126,72	127,00	10,00	A	*100X127X10	S	32								
100,00	129,70	130,00	10,00	A	*100X130X10	S	32	110,00	140,00	140,23	13,00	A	110X140X13	S	45
100,00	129,70	130,00	13,00	A	*100X130X13	S	32	110,00	140,00	140,28	12,00	A	110X140X12	S	32

For Illustration and Material Data See Technical Section

Designed For A Specific Application - Not Recommended For General Use ▶ Hydrodynamic Lip Design-CW ◀ Hydrodynamic Lip Design-CCW

Metric List Sizes & Type

Shaft Size	Hsg. Bore	Seal O.D.	Seal Width	Grp.	Part No.	Lip Mat'l	Illus./ Type	Shaft Size	Hsg. Bore	Seal O.D.	Seal Width	Grp.	Part No.	Lip Mat'l	Illus./ Type
110,00	140,00	140,28	12,00	A	*110X140X12V	V	32	120,00	149,70	150,00	13,00	A	*120X150X13	S	32
110,00	144,70	145,00	14,00	A	*110X145X14	S	32	120,00	149,70	150,00	14,00	A	*120X150X14	S	32
110,00	145,00	145,20	12,00	A	*110X145X12	S	32	120,00	149,70	150,00	15,00	A	*120X150X15	S	32
110,00	145,00	145,30	13,00	A	110X145X13	S	35	119,99	150,01	150,16	14,99	A	370220A	S	11
110,00	150,00	150,25	12,00	-	110X150X12	S	35	120,00	150,00	150,20	12,00	A	*120X150X12V	V	32
110,00	149,70	150,00	13,00	A	*110X150X13	S	32	120,00	150,00	150,28	12,00	A	120X150X12	S	35
110,00	150,00	150,28	15,00	A	110X150X15	S	35	120,00	154,70	155,00	14,00	A	*120X155X14	S	32
110,00	155,00	155,20	15,00	A	*110X155X15	S	32	120,00	154,70	155,00	16,00	A	*120X155X16	S	32
110,00	159,70	160,00	12,00	A	*110X160X12	S	32	120,00	155,00	155,20	15,00	A	*120X155X15	S	32
110,00	160,00	160,20	15,00	A	*110X160X15	S	32	120,00	158,70	159,00	14,00	A	*120X159X14	S	32
110,00	166,70	167,00	17,00	A	*110X167X17	S	32	120,00	159,70	160,00	15,00	A	*120X160X15	S	32
110,00	169,70	170,00	12,00	A	*110X170X12	S	32	120,00	160,00	160,20	12,00	A	*120X160X12V	V	35
110,00	170,00	170,18	12,70	A	476518	S	47	120,00	160,00	160,28	12,00	A	120X160X12	S	35
112,00	135,00	135,20	15,00	A	*112X135X15	S	32	120,00	179,67	180,00	15,00	A	*120X180X15	S	32
112,00	140,00	140,32	13,00	A	112X140X13	S	35	122,00	139,70	140,00	13,00	A	*122X140X13	S	32
112,00	141,70	142,00	14,00	A	*112X142X14	S	32	124,00	146,00	146,10	14,00	A	710405	S	47
112,00	145,00	145,20	15,00	A	*112X145X15	S	32	124,00	158,70	159,00	14,00	A	*124X159X14	S	32
112,00	150,00	150,20	15,00	A	*112X150X15	S	32	124,00	169,70	170,00	14,50	A	*124X170X14.5	S	32
114,00	135,00	135,40	13,00	A	*713095	V	32	124,00	170,00	-	14,50	A	710381%	S	#
114,00	135,00	135,25	13,00	A	713163	S	47	125,00	140,00	140,18	7,00	A	*315286	S	31
114,00	140,00	140,28	13,00	A	114X140X13	S	35	125,00	144,70	145,00	13,00	A	*125X145X13	S	32
115,00	135,00	135,20	10,00	A	710258	V	32	125,00	146,20	146,50	13,00	A	*125X146.5X13	S	32
115,00	135,00	135,20	15,00	A	*115X135X15	S	32	125,00	149,70	150,00	13,00	A	*125X150X13	S	32
115,00	139,70	140,00	13,00	A	*115X140X13	S	32	125,00	149,70	150,00	14,00	A	*125X150X14	S	32
115,00	139,70	140,00	14,00	A	*115X140X14	S	32	125,00	149,70	150,00	15,00	A	*125X150X15	S	32
115,00	140,00	140,40	13,00	A	*713096	N	47	125,00	150,00	150,20	12,00	A	*125X150X12V	V	32
115,00	140,00	140,40	13,00	A	*713097	V	32	125,00	150,00	150,28	12,00	A	125X150X12	S	32
115,00	140,00	140,20	12,00	A	*115X140X12V	V	35	125,00	150,00	150,28	12,00	A	231250	S	35
115,00	140,00	140,28	12,00	A	115X140X12	S	35	125,00	150,00	150,40	15,00	A	*713023	V	32
115,00	144,70	145,00	16,00	A	*115X145X16	S	32	125,00	154,70	155,00	14,00	A	*125X155X14	S	32
115,00	145,00	145,20	14,00	A	115X145X14	S	32	125,00	155,00	155,20	12,00	A	125X155X12	S	32
115,00	145,00	145,20	15,00	A	*115X145X15	S	32	125,00	155,00	155,20	15,00	A	*125X155X15	S	32
115,00	145,00	145,30	13,00	A	115X145X13	S	35	125,00	159,70	160,00	15,00	A	*125X160X15	S	32
115,00	146,20	146,50	13,00	A	*115X146.5X13	S	32	125,00	160,00	160,28	12,00	A	125X160X12	S	35
115,00	149,70	150,00	15,00	A	*115X150X15	S	32	125,00	170,00	170,20	15,00	A	125X170X15	S	32
115,00	150,00	150,28	12,00	A	115X150X12	S	35	128,00	146,00	146,10	10,00	A	710411	S	47
115,00	155,00	155,20	15,00	A	*115X155X15	S	32	128,00	150,00	150,28	15,00	A	*128X150X15	S	35
115,00	156,00	156,10	28,00	A	710372	S	#	130,00	149,70	150,00	12,00	A	*130X150X12	S	32
115,00	158,70	159,00	14,00	A	*115X159X14	S	32	130,00	149,70	150,00	13,00	A	*130X150X13	S	32
115,00	160,00	160,20	15,00	A	*115X160X15	S	32	130,00	150,00	150,10	10,00	A	130X150X10	S	47
116,00	131,70	132,00	12,00	A	*116X132X12	S	32	130,00	150,00	150,10	10,00	A	710380	S	47
116,50	135,00	135,30	13,00	A	*355590V	V	35	130,00	150,00	150,20	15,00	A	*130X150X15	S	32
118,00	136,00	136,40	13,00	A	*713099	N	48	130,00	150,00	150,40	13,00	A	712114	T	FW-H
118,00	148,00	148,40	15,00	A	*713100	V	32	130,00	150,00	150,44	14,50	A	39806	T	FW-H
118,00	173,00	173,80	28,00	A	710089	S	#	130,00	150,00	150,44	14,80	A	39805	T	FW-H
120,00	139,70	140,00	12,00	A	*120X140X12	S	32	130,00	154,70	155,00	14,00	A	*130X155X14	S	32
120,00	139,70	140,00	15,00	A	*120X140X15	S	32	130,00	159,70	160,00	13,00	A	*130X160X13	S	32
120,00	140,00	140,21	10,50	A	710084	S	47	130,00	159,70	160,00	14,00	A	*130X160X14	S	32
120,00	140,00	140,20	13,00	A	712106	T	32	130,00	160,00	160,20	12,00	A	*130X160X12V	V	32
120,00	140,00	140,25	12,00	A	717004	S	48	130,00	160,00	160,20	15,00	A	130X160X15	S	32
120,00	140,00	140,28	13,00	A	120X140X13	S	35	130,00	160,00	160,28	12,00	A	130X160X12	S	35
120,00	140,00	140,30	13,00	A	712003	V	32	130,00	160,00	161,00	12,00	A	*713101	N	48
120,00	145,00	145,28	12,00	A	120X145X12	S	35	130,00	164,70	165,00	13,00	A	*130X165X13	S	32
120,00	145,00	145,28	12,00	A	231204	S	35	130,00	164,70	165,00	15,00	A	*130X165X15	S	32
120,00	145,70	146,00	13,00	A	*120X146X13	S	32	130,00	169,70	170,00	13,00	A	*130X170X13	S	32
120,00	146,20	146,50	13,00	A	*120X146.5X13	S	32	130,00	170,00	170,20	12,00	A	*130X170X12V	V	35
								130,00	170,00	170,28	15,00	A	130X170X15	S	35

METRIC SECTION

For Illustration and Material Data See Technical Section

Designed For A Specific Application - Not Recommended For General Use ➔ Hydrodynamic Lip Design-CW ◀ Hydrodynamic Lip Design-CCW

◀➔ Hydrodynamic Lip Design-Bidirectional % External Bore

* The U.S. customer service number is 877-4-TIMKEN. The Canadian customer service numbers are 800-565-4927 (English) and 800-565-0438 (French-Canadian).

Shaft Size	Hsg. Bore	Seal O.D.	Seal Width	Grp.	Part No.	Lip Mat'l	Illus./ Type	Shaft Size	Hsg. Bore	Seal O.D.	Seal Width	Grp.	Part No.	Lip Mat'l	Illus./ Type
130,00	170,00	170,30	12,00	A	130X170X12	S	35	150,00	168,00	168,10	13,00	A	*713109	N	48
130,00	189,67	190,00	12,00	A	*130X190X12	S	32	150,00	169,70	170,00	15,00	A	*150X170X15	S	32
130,00	199,67	200,00	12,00	A	*130X200X12	S	32	150,00	174,70	175,00	10,00	A	*150X175X10	S	32
134,00	152,00	152,50	13,00	A	*713102	S	47	150,00	179,67	180,00	13,00	A	*150X180X13	S	32
134,00	152,00	152,50	13,50	A	*713104	N	32	150,00	179,67	180,00	14,00	A	*150X180X14	S	32
135,00	154,70	155,00	13,00	A	*135X155X13	S	32	150,00	180,00	180,20	15,00	A	*150X180X15V	V	32
135,00	159,70	160,00	15,00	A	*135X160X15	S	32	150,00	180,00	180,35	12,00	A	150X180X12	S	35
135,00	160,00	160,38	13,00	A	135X160X13	S	35	150,00	180,00	180,35	15,00	A	150X180X15	S	35
135,00	160,00	160,50	15,00	A	*713149	S	47	150,00	184,67	185,00	16,00	A	*150X185X16	S	32
135,00	162,00	162,50	13,00	A	*713105	S	47	150,00	189,67	190,00	15,00	A	*150X190X15	S	32
135,00	164,70	165,00	13,00	A	*135X165X13	S	32	150,00	199,67	200,00	13,00	A	*150X200X13	S	32
135,00	164,70	165,00	14,00	A	*135X165X14	S	32	150,00	209,67	210,00	15,00	A	*150X210X15	S	32
135,00	170,00	170,38	12,00	A	135X170X12	S	35	150,00	224,67	225,00	12,00	A	*150X225X12	S	32
138,00	152,00	152,10	12,00	A	138X152X12	S	47	154,00	171,70	172,00	14,00	A	*154X172X14	S	32
138,00	152,00	152,10	12,00	A	710368	S	47	154,00	172,00	172,20	15,00	A	*154X172X15	S	32
138,00	152,00	152,20	15,00	A	*138X152X15	S	32	155,00	171,70	172,00	14,00	A	*155X172X14	S	32
140,00	159,70	160,00	14,00	A	*140X160X14	S	32	155,00	173,70	174,00	12,00	A	*155X174X12	S	32
140,00	160,00	160,20	12,00	A	140X160X12	S	32	155,00	179,67	180,00	12,00	A	*155X180X12	S	32
140,00	160,00	160,27	13,00	A	140X160X13	S	35	155,00	179,67	180,00	13,00	A	*155X180X13	S	32
140,00	160,00	160,27	13,00	A	231402	S	35	155,00	184,67	185,00	16,00	A	*155X185X16	S	32
140,00	164,70	165,00	13,00	A	*140X165X13	S	32	156,00	180,00	180,20	15,00	A	712110	T	W
140,00	165,00	165,10	15,00	A	*713106	V	47	156,00	180,00	180,40	15,00	A	712122	T	FW-H
140,00	165,00	165,28	15,00	A	*140X165X15	S	32	160,00	179,67	180,00	10,00	A	*160X180X10	S	32
140,00	165,00	165,40	15,00	A	*713079	V	32	160,00	179,67	180,00	13,00	A	*160X180X13	S	32
140,00	167,70	168,00	15,00	A	*140X168X15	S	32	160,00	181,67	182,00	18,00	A	*160X182X18	S	32
140,00	169,70	170,00	13,00	A	*140X170X13	S	32	160,00	184,67	185,00	13,00	A	*160X185X13	S	32
140,00	169,70	170,00	14,00	A	*140X170X14	S	32	160,00	185,00	185,10	13,00	A	*713110	S	47
140,00	170,00	170,10	14,00	A	710406	S	47	160,00	185,00	185,20	10,00	A	*160X185X10V	V	35
140,00	170,00	170,20	12,00	A	*140X170X12V	V	32	160,00	185,00	185,35	10,00	A	160X185X10	S	35
140,00	170,00	170,28	15,00	A	231405	S	35	160,00	189,67	190,00	13,00	A	*160X190X13	S	32
140,00	170,00	170,30	12,00	A	140X170X12	S	32	160,00	190,00	190,20	15,00	A	*160X190X15V	V	32
140,00	170,00	170,43	15,00	A	140X170X15	S	35	160,00	190,00	190,35	15,00	A	160X190X15	S	35
140,00	174,70	175,00	15,00	A	*140X175X15	S	32	160,00	190,00	190,40	13,00	A	712118	T	FW-H
140,00	179,67	180,00	15,00	A	*140X180X15	S	32	160,00	199,67	200,00	14,00	A	*160X200X14	S	32
140,00	180,00	180,30	12,00	A	140X180X12	S	35	160,00	200,00	200,20	12,00	A	160X200X12	S	32
140,00	180,00	180,38	18,00	A	140X180X18	S	32	160,00	200,00	200,20	15,00	A	160X200X15	S	32
140,00	184,67	185,00	16,00	A	*140X185X16	S	32	160,00	239,67	240,00	15,00	A	*160X240X15	S	32
142,00	156,70	157,00	10,00	A	*142X157X10	S	32	162,00	200,00	200,20	15,00	A	*162X200X15	S	32
144,00	160,00	160,25	12,00	A	144X160X12	S	35	165,00	189,67	190,00	14,00	A	*165X190X14	S	32
145,00	164,00	164,10	14,00	A	145X164X14	S	47	165,00	189,67	190,00	15,00	A	*165X190X15	S	32
145,00	164,00	164,10	14,00	A	710369	S	47	165,00	190,00	190,35	13,00	A	165X190X13	S	41
145,00	164,00	164,20	15,00	A	*145X164X15	S	32	165,00	194,67	195,00	15,00	A	*165X195X15	S	32
145,00	164,70	165,00	13,00	A	*145X165X13	S	32	165,00	199,67	200,00	14,00	A	*165X200X14	S	32
145,00	164,70	165,00	14,00	A	*145X165X14	S	32	170,00	189,67	190,00	10,00	A	*170X190X10	S	32
145,00	166,70	167,00	13,00	A	*145X167X13	S	32	170,00	189,67	190,00	14,00	A	*170X190X14	S	32
145,00	169,70	170,00	13,00	A	*145X170X13	S	32	170,00	200,00	200,35	15,00	A	170X200X15	S	35
145,00	169,70	170,00	15,00	A	*145X170X15	S	32	170,00	210,00	210,20	15,00	A	170X210X15	S	32
145,00	170,00	170,45	12,00	A	145X170X12	S	35	175,00	200,00	200,35	15,00	A	175X200X15	S	32
145,00	170,00	170,50	13,00	A	*713107	S	47	175,00	209,67	210,00	15,00	A	*175X210X15	S	32
145,00	170,00	170,50	15,00	A	*713108	S	47	175,00	229,67	230,00	20,00	A	*175X230X20	S	32
145,00	174,70	175,00	13,00	A	*145X175X13	S	32	180,00	199,67	200,00	14,00	A	*180X200X14	S	32
145,00	174,70	175,00	14,00	A	*145X175X14	S	32	180,00	199,67	200,00	15,00	A	*180X200X15	S	32
145,00	175,00	175,38	15,00	A	145X175X15	S	35	180,00	200,00	200,40	12,00	A	*713111	V	32
145,00	180,00	180,28	12,00	A	145X180X12	S	35	180,00	200,00	200,40	15,00	A	*713112	S	47
145,00	180,00	180,40	15,00	A	*713145	S	47	180,00	200,00	200,40	17,00	A	*713113	V	#

For Illustration and Material Data See Technical Section

Designed For A Specific Application - Not Recommended For General Use ◀ Hydrodynamic Lip Design-CCW

Metric List Sizes & Type

Shaft Size	Hsg. Bore	Seal O.D.	Seal Width	Grp.	Part No.	Lip Mat'l	Illus./ Type	Shaft Size	Hsg. Bore	Seal O.D.	Seal Width	Grp.	Part No.	Lip Mat'l	Illus./ Type
180,00	200,00	200,20	12,00	A	*713165	S	32	265,00	289,67	290,00	16,00	A	*265X290X16	S	32
180,00	210,00	210,35	15,00	A	180X210X15	S	35	270,00	310,00	310,45	16,00	A	*270X310X16	S	35
180,00	214,67	215,00	15,00	A	*180X215X15	S	32	280,00	320,00	320,45	20,00	A	280X320X20	S	32
180,00	219,67	220,00	15,00	A	*180X220X15	S	32	285,00	319,67	320,00	20,00	A	*285X320X20	S	32
180,00	219,67	220,00	16,00	A	*180X220X16	S	32	290,00	329,67	330,00	18,00	A	*290X330X18	S	32
185,00	209,67	210,00	15,00	A	*185X210X15	S	32	300,00	340,00	340,45	20,00	A	300X340X20	S	32
185,00	210,00	210,35	13,00	A	185X210X13	S	35	320,00	360,00	360,45	20,00	A	*320X360X20	S	32
185,00	215,00	215,22	16,00	A	*185X215X16	S	32	340,00	380,00	380,45	20,00	A	*340X380X20	S	32
190,00	209,67	210,00	10,00	A	*190X210X10	S	32	360,00	400,00	400,45	20,00	A	*360X400X20	S	32
190,00	209,67	210,00	15,00	A	*190X210X15	S	32	380,00	420,00	420,45	20,00	A	*380X420X20	S	32
190,00	220,00	220,35	15,00	A	*190X220X15	S	32	400,00	440,00	440,45	20,00	A	*400X440X20	S	32
190,00	220,00	220,35	16,00	A	*231905	S	35								
190,00	220,00	220,35	16,00	A	190X220X16	S	35								
190,00	224,67	225,00	12,00	A	*190X225X12	S	32								
190,00	224,67	225,00	16,00	A	*190X225X16	S	32								
190,00	225,00	225,20	16,00	A	*190X225X16V	V	32								
190,00	229,67	230,00	15,00	A	*190X230X15	S	32								
190,00	230,00	230,20	16,00	A	190X230X16	S	32								
195,00	229,67	230,00	16,00	A	*195X230X16	S	32								
195,00	229,67	230,00	20,00	A	*195X230X20	S	32								
200,00	229,67	230,00	13,00	A	*200X230X13	S	32								
200,00	230,00	230,20	15,00	A	*200X230X15V	V	32								
200,00	230,00	230,35	15,00	A	200X230X15	S	45								
200,00	234,67	235,00	15,00	A	*200X235X15	S	32								
200,00	239,67	240,00	15,00	A	*200X240X15	S	32								
200,00	239,67	240,00	20,00	A	*200X240X20	S	32								
200,00	249,67	250,00	16,00	A	*200X250X16	S	32								
200,00	249,67	250,00	20,00	A	*200X250X20	S	32								
205,00	224,67	225,00	18,00	A	*205X225X18	S	32								
205,00	234,67	235,00	18,00	A	*205X235X18	S	32								
210,00	240,00	240,35	15,00	A	210X240X15	S	35								
210,00	249,67	250,00	16,00	A	*210X250X16	S	32								
210,00	250,00	250,20	15,00	A	210X250X15	S	32								
210,00	269,67	270,00	16,00	A	*210X270X16	S	32								
220,00	250,00	250,20	15,00	A	*220X250X15V	V	35								
220,00	250,00	250,35	15,00	A	220X250X15	S	35								
220,00	254,67	255,00	16,00	A	*220X255X16	S	32								
220,00	259,67	260,00	14,00	A	*220X260X14	S	32								
220,00	259,67	260,00	16,00	A	*220X260X16	S	32								
220,00	260,00	260,20	15,00	A	*220X260X15	S	32								
222,00	244,67	245,00	13,00	A	*222X245X13	S	32								
230,00	260,00	260,35	15,00	A	230X260X15	S	35								
233,00	272,00	272,26	15,88	A	*3689	V	#								
240,00	270,00	270,35	15,00	A	240X270X15	S	35								
240,00	270,00	270,35	16,00	A	*240X270X16	S	35								
240,00	279,67	280,00	18,00	A	*240X280X18	S	32								
240,00	279,67	280,00	20,00	A	*240X280X20	S	32								
240,00	280,00	280,20	16,00	A	240X280X16	S	32								
250,00	280,00	280,35	15,00	A	*250X280X15	S	35								
250,00	289,67	290,00	15,00	A	*250X290X15	S	32								
260,00	289,67	290,00	15,00	A	*260X290X15	S	32								
260,00	300,00	300,45	20,00	A	*260X300X20	S	32								

METRIC SECTION

For Illustration and Material Data See Technical Section

Designed For A Specific Application - Not Recommended For General Use

* The U.S. customer service number is 877-4-TIMKEN. The Canadian customer service numbers are 800-565-4927 (English) and 800-565-0438 (French-Canadian).

Width	ID	OD	Packaged Part No.	Std. Unit Pack	Bulk Part No.	Std. Bulk Pack	Width	ID	OD	Packaged Part No.	Std. Unit Pack	Bulk Part No.	Std. Bulk Pack
1/32"	1/32"	3/32"	001PKG	5	001BULK	500	3/32"	7/8"	1 1/16"	118PKG	10	118BULK	250
3/64"	3/64"	9/64"	002PKG	10	002BULK	500	3/32"	15/16"	1 1/8"	119PKG	10	119BULK	250
1/16"	1/16"	3/16"	003PKG	5	003BULK	500	3/32"	1"	1 3/16"	120PKG	10	120BULK	250
1/16"	5/64"	13/16"	004PKG	5	004BULK	500	3/32"	1 1/16"	1 1/4"	121PKG	10	121BULK	250
1/16"	3/32"	7/32"	005PKG	5	005BULK	500	3/32"	1 1/8"	1 5/16"	122PKG	10	122BULK	250
1/16"	1/8"	1/4"	006PKG	20	006BULK	500	3/32"	1 3/16"	1 3/8"	123PKG	10	123BULK	250
1/16"	1/8"	1/4"	006V35*	10	NA	NA	3/32"	1 1/4"	1 7/16"	124PKG	10	124BULK	250
1/16"	5/32"	9/32"	007PKG	20	007BULK	500	3/32"	1 5/16"	1 1/2"	125PKG	10	125BULK	250
1/16"	5/32"	9/32"	007V35*	10	NA	NA	3/32"	1 3/8"	1 9/16"	126PKG	5	126BULK	250
1/16"	3/16"	5/16"	008PKG	20	008BULK	500	3/32"	1 7/16"	1 5/8"	127PKG	5	127BULK	250
1/16"	3/16"	5/16"	008V35*	10	NA	NA	3/32"	1 1/2"	1 11/16"	128PKG	5	128BULK	250
1/16"	7/32"	1 1/32"	009PKG	20	009BULK	500	3/32"	1 9/16"	1 3/4"	129PKG	5	129BULK	250
1/16"	7/32"	1 1/32"	009V35*	10	NA	NA	3/32"	1 5/8"	1 13/16"	130PKG	5	130BULK	100
1/16"	1/4"	3/8"	010PKG	20	010BULK	500	3/32"	1 11/16"	1 7/8"	131PKG	5	131BULK	100
1/16"	1/4"	3/8"	010V35*	10	NA	NA	3/32"	1 3/4"	1 15/16"	132PKG	5	132BULK	100
1/16"	5/16"	7/16"	011PKG	20	011BULK	500	3/32"	1 13/16"	2"	133PKG	5	133BULK	100
1/16"	5/16"	7/16"	011V35*	10	NA	NA	3/32"	1 7/8"	2 1/16"	134PKG	5	134BULK	100
1/16"	3/8"	1/2"	012PKG	20	012BULK	500	3/32"	1 15/16"	2 1/8"	135PKG	5	135BULK	100
1/16"	3/8"	1/2"	012V35*	10	NA	NA	3/32"	2"	2 3/16"	136PKG	5	136BULK	100
1/16"	7/16"	9/16"	013PKG	10	013BULK	250	3/32"	2 1/16"	2 1/4"	137PKG	5	137BULK	100
1/16"	1/2"	5/8"	014PKG	10	014BULK	250	3/32"	2 1/8"	2 5/16"	138PKG	5	138BULK	100
1/16"	9/16"	1 1/16"	015PKG	10	015BULK	250	3/32"	2 3/16"	2 3/8"	139PKG	5	139BULK	100
1/16"	5/8"	3/4"	016PKG	10	016BULK	250	3/32"	2 1/4"	2 7/16"	140PKG	5	140BULK	100
1/16"	1 1/16"	1 3/16"	017PKG	10	017BULK	250	3/32"	2 5/16"	2 1/2"	141PKG	5	141BULK	100
1/16"	3/4"	7/8"	018PKG	10	018BULK	250	3/32"	2 3/8"	2 9/16"	142PKG	5	142BULK	100
1/16"	13/16"	1 5/16"	019PKG	10	019BULK	250	3/32"	2 7/16"	2 5/8"	143PKG	5	143BULK	100
1/16"	7/8"	1"	020PKG	10	020BULK	250	3/32"	2 3/4"	2 11/16"	144PKG	5	144BULK	100
1/16"	1 5/16"	1 11/16"	021PKG	10	021BULK	250	3/32"	2 9/16"	2 3/4"	145PKG	5	145BULK	100
1/16"	1"	1 1/8"	022PKG	10	022BULK	250	3/32"	2 5/8"	2 13/16"	146PKG	5	146BULK	100
1/16"	1 1/16"	1 3/16"	023PKG	10	023BULK	250	3/32"	2 11/16"	2 7/8"	147PKG	5	147BULK	100
1/16"	1 1/8"	1 1/4"	024PKG	10	024BULK	250	3/32"	2 3/4"	2 5/16"	148PKG	5	148BULK	100
1/16"	1 3/16"	1 5/16"	025PKG	10	025BULK	250	3/32"	2 13/16"	3"	149PKG	5	149BULK	100
1/16"	1 1/4"	1 3/8"	026PKG	10	026BULK	250	3/32"	2 7/8"	3 1/16"	150PKG	5	150BULK	100
1/16"	1 5/16"	1 7/16"	027PKG	10	027BULK	250	3/32"	3"	3 3/16"	151PKG	5	151BULK	100
1/16"	1 3/8"	1 1/2"	028PKG	10	028BULK	250	3/32"	3 1/4"	3 7/16"	152PKG	5	152BULK	100
1/16"	1 1/2"	1 5/8"	029PKG	5	029BULK	100	3/32"	3 1/2"	3 11/16"	153PKG	5	153BULK	100
1/16"	1 5/8"	1 3/4"	030PKG	5	030BULK	100	3/32"	3 3/4"	3 15/16"	154PKG	5	154BULK	100
1/16"	1 3/4"	1 7/8"	031PKG	5	031BULK	100	3/32"	4"	4 3/16"	155PKG	5	155BULK	50
1/16"	1 7/8"	2"	032PKG	5	032BULK	100	3/32"	3 3/4"	1"	210PKG	10	210BULK	250
1/16"	2"	2 1/8"	033PKG	5	033BULK	100	1/8"	3/4"	1"	210V35*	5	NA	NA
1/16"	2 1/8"	2 1/4"	034PKG	5	034BULK	100	1/8"	13/16"	1 1/16"	211PKG	10	211BULK	250
1/16"	2 1/4"	2 3/8"	035PKG	5	035BULK	100	1/8"	13/16"	1 1/16"	211V35*	5	NA	NA
1/16"	2 3/8"	2 1/2"	036PKG	5	036BULK	100	1/8"	7/8"	1 1/8"	212PKG	10	212BULK	250
1/16"	2 1/2"	2 5/8"	037PKG	5	037BULK	100	1/8"	7/8"	1 1/8"	212V35*	5	NA	NA
1/16"	2 5/8"	2 3/4"	038PKG	5	038BULK	50	1/8"	15/16"	1 3/16"	213PKG	10	213BULK	250
1/16"	2 3/4"	2 7/8"	039PKG	5	039BULK	50	1/8"	15/16"	1 3/16"	213V35*	5	NA	NA
1/16"	2 7/8"	3"	040PKG	5	040BULK	50	1/8"	1"	1 1/4"	214PKG	10	214BULK	250
1/16"	3"	3 3/8"	041PKG	5	041BULK	50	1/8"	1"	1 1/4"	214V35*	5	NA	NA
1/16"	3 1/4"	3 3/8"	042PKG	5	042BULK	50	1/8"	1 1/16"	1 5/16"	215PKG	10	215BULK	250
1/16"	3 1/2"	3 5/8"	043PKG	5	043BULK	50	1/8"	1 1/16"	1 5/16"	215V35*	5	NA	NA
1/16"	3 3/4"	3 7/8"	044PKG	5	044BULK	50	1/8"	1 1/8"	1 3/8"	216PKG	10	216BULK	250
1/16"	4"	4 1/8"	045PKG	5	045BULK	50	1/8"	1 1/8"	1 3/8"	216V35*	2	NA	NA
3/32"	3/8"	9/16"	110PKG	20	110BULK	500	1/8"	1 3/16"	1 7/16"	217PKG	10	217BULK	250
3/32"	3/8"	9/16"	110V35*	10	NA	NA	1/8"	1 3/16"	1 7/16"	217V35*	2	NA	NA
3/32"	7/16"	5/8"	111PKG	20	111BULK	500	1/8"	1 1/4"	1 1/2"	218PKG	10	218BULK	250
3/32"	7/16"	5/8"	111V35*	10	NA	NA	1/8"	1 1/4"	1 1/2"	218V35*	2	NA	NA
3/32"	1/2"	1 1/16"	112PKG	20	112BULK	500	1/8"	1 5/16"	1 9/16"	219PKG	10	219BULK	250
3/32"	1/2"	1 1/16"	112V35*	10	NA	NA	1/8"	1 5/16"	1 9/16"	219V35*	2	NA	NA
3/32"	9/16"	3/4"	113PKG	10	113BULK	500	1/8"	1 3/8"	1 5/8"	220PKG	10	220BULK	250
3/32"	9/16"	3/4"	113V35*	10	NA	NA	1/8"	1 3/8"	1 5/8"	220V35*	2	NA	NA
3/32"	5/8"	1 3/16"	114PKG	10	114BULK	500	1/8"	1 7/16"	1 11/16"	221PKG	10	221BULK	250
3/32"	5/8"	1 3/16"	114V35*	10	NA	NA	1/8"	1 7/16"	1 11/16"	221V35*	2	NA	NA
3/32"	1 1/16"	7/8"	115PKG	10	115BULK	500	1/8"	1 1/2"	1 3/4"	222PKG	10	222BULK	250
3/32"	1 1/16"	7/8"	115V35*	5	NA	NA	1/8"	1 1/2"	1 3/4"	222V35*	2	NA	NA
3/32"	3/4"	1 5/16"	116PKG	10	116BULK	500	1/8"	1 5/8"	1 7/8"	223PKG	10	223BULK	250
3/32"	3/4"	1 5/16"	116V35*	5	NA	NA	1/8"	1 3/4"	2"	224PKG	10	224BULK	250
3/32"	1 3/16"	1"	117PKG	10	117BULK	250	1/8"	7/8"	2 1/8"	225PKG	10	225BULK	250

* Fluoroelastomer

O-Rings

Width	ID	OD	Packaged Part No.	Std. Unit Pack	Bulk Part No.	Std. Bulk Pack	Width	ID	OD	Packaged Part No.	Std. Unit Pack	Bulk Part No.	Std. Bulk Pack
1/8"	2"	2 1/4"	226PKG	10	226BULK	250	3/16"	3 1/2"	3 7/8"	341PKG	5	341BULK	50
1/8"	2 1/8"	2 3/8"	227PKG	10	227BULK	250	3/16"	3 5/8"	4	342PKG	5	342BULK	50
1/8"	2 1/4"	2 1/2"	228PKG	10	228BULK	250	3/16"	3 3/4"	4 1/8"	343PKG	5	343BULK	50
1/8"	2 3/8"	2 5/8"	229PKG	10	229BULK	250	3/16"	3 7/8"	4 1/4"	344PKG	5	344BULK	50
1/8"	2 1/2"	2 3/4"	230PKG	10	230BULK	250	3/16"	4	4 3/8"	345PKG	5	345BULK	50
1/8"	2 5/8"	2 7/8"	231PKG	10	231BULK	250	3/16"	4 1/8"	4 1/2"	346PKG	5	346BULK	50
1/8"	2 3/4"	3	232PKG	10	232BULK	250	3/16"	4 1/4"	4 5/8"	347PKG	5	347BULK	50
1/8"	2 7/8"	3 1/4"	234PKG	10	234BULK	250	3/16"	4 3/8"	4 3/4"	348PKG	2	348BULK	50
1/8"	3 1/8"	3 3/8"	235PKG	10	235BULK	250	3/16"	4 1/2"	4 7/8"	349PKG	2	349BULK	50
1/8"	3 1/4"	3 1/2"	236PKG	10	236BULK	100	3/16"	5 1/2"	5 7/8"	357PKG	2	357BULK	10
1/8"	3 3/8"	3 5/8"	237PKG	10	237BULK	100	1/4"	4 1/2"	5	425PKG	2	425BULK	25
1/8"	3 1/2"	3 3/4"	238PKG	10	238BULK	100	1/4"	4 5/8"	5 1/8"	426PKG	2	426BULK	25
1/8"	3 5/8"	3 7/8"	239PKG	10	239BULK	100	1/4"	4 3/4"	5 1/4"	427PKG	2	427BULK	25
1/8"	3 3/4"	4"	240PKG	10	240BULK	100	1/4"	4 7/8"	5 3/8"	428PKG	2	428BULK	25
1/8"	3 7/8"	4 1/8"	241PKG	10	241BULK	100	1/4"	5"	5 1/2"	429PKG	2	429BULK	25
1/8"	4	4 1/4"	242PKG	10	242BULK	100	1/4"	5 1/8"	5 5/8"	430PKG	2	430BULK	25
1/8"	4 1/8"	4 3/8"	243PKG	10	243BULK	100	1/4"	5 1/4"	5 3/4"	431PKG	2	431BULK	25
1/8"	4 1/4"	4 1/2"	244PKG	10	244BULK	100	1/4"	5 3/8"	5 7/8"	432PKG	2	432BULK	25
1/8"	4 3/8"	4 5/8"	245PKG	10	245BULK	100	1/4"	5 1/2"	6"	433PKG	2	433BULK	25
1/8"	4 1/2"	4 3/4"	246PKG	5	246BULK	100	1/4"	5 5/8"	6 1/8"	434PKG	2	434BULK	10
1/8"	4 5/8"	4 7/8"	247PKG	5	247BULK	100	1/4"	5 3/4"	6 1/4"	435PKG	2	435BULK	10
1/8"	4 3/4"	5	248PKG	5	248BULK	50	1/4"	5 7/8"	6 3/8"	436PKG	2	436BULK	10
1/8"	4 7/8"	5 1/8"	249PKG	5	249BULK	50	1/4"	6	6 1/2"	437PKG	2	437BULK	10
1/8"	5	5 1/4"	250PKG	5	250BULK	50	1/4"	6 1/4"	6 3/4"	438PKG	2	438BULK	10
1/8"	5 1/8"	5 3/8"	251PKG	5	251BULK	50	1/4"	6 1/2"	7	439PKG	2	439BULK	10
1/8"	5 1/4"	5 1/2"	252PKG	5	252BULK	50	1/4"	6 3/4"	7 1/4"	440PKG	2	440BULK	10
1/8"	5 3/8"	5 5/8"	253PKG	5	253BULK	50	1/4"	7	7 1/2"	441PKG	2	441BULK	10
1/8"	5 1/2"	5 3/4"	254PKG	5	254BULK	50	1/4"	7 1/4"	7 3/4"	442PKG	2	442BULK	10
1/8"	5 5/8"	5 7/8"	255PKG	5	255BULK	50	1/4"	7 1/2"	8"	443PKG	2	443BULK	10
1/8"	5 3/4"	6	256PKG	5	256BULK	50	1/4"	7 3/4"	8 1/4"	444PKG	2	444BULK	10
1/8"	5 7/8"	6 1/8"	257PKG	5	257BULK	10	1/4"	8	8 1/2"	445PKG	2	445BULK	10
1/8"	6	6 1/4"	258PKG	5	258BULK	10	1/4"	8 1/2"	9"	446PKG	2	446BULK	10
1/8"	6 1/4"	6 1/2"	259PKG	5	259BULK	10	1/4"	9"	9 1/2"	447PKG	2	447BULK	10
1/8"	6 1/2"	6 3/4"	260PKG	5	260BULK	10	1/4"	9 1/2"	10"	448PKG	2	448BULK	10
1/8"	6 3/4"	7	261PKG	5	261BULK	10	1/4"	10"	10 1/2"	449PKG	1	449BULK	10
1/8"	7	7 1/4"	262PKG	5	262BULK	10	1/4"	10 1/2"	11"	450PKG	1	450BULK	10
1/8"	7 1/4"	7 1/2"	263PKG	5	263BULK	10	1/4"	11"	11 1/2"	451PKG	1	451BULK	10
1/8"	7 1/2"	7 3/4"	264PKG	5	264BULK	10	1/4"	11 1/2"	12"	452PKG	1	452BULK	10
1/8"	7 3/4"	8	265PKG	5	265BULK	10	1/4"	12"	12 1/2"	453PKG	1	453BULK	10
1/8"	8	8 1/4"	266PKG	5	266BULK	10	1/4"	12 1/2"	13"	454PKG	1	454BULK	10
1/8"	8 1/4"	8 1/2"	267PKG	5	267BULK	10	1/4"	13"	13 1/2"	455PKG	1	455BULK	10
1/8"	8 1/2"	8 3/4"	268PKG	5	268BULK	10	1/4"	13 1/2"	14"	456PKG	1	456BULK	10
1/8"	8 3/4"	9	269PKG	5	269BULK	10	1/4"	14"	14 1/2"	457PKG	1	457BULK	10
1/8"	9	9 1/4"	270PKG	5	270BULK	10	1/4"	14 1/2"	15"	458PKG	1	458BULK	10
1/8"	9 1/4"	9 1/2"	271PKG	5	271BULK	10	1/4"	15"	15 1/2"	459PKG	1	459BULK	10
1/8"	9 1/2"	9 3/4"	272PKG	5	272BULK	10	1/4"	15 1/2"	16"	460PKG	1	460BULK	10
1/8"	9 3/4"	10	273PKG	5	273BULK	10							
1/8"	10	10 1/4"	274PKG	5	274BULK	10							
3/16"	1 1/2"	1 7/8"	325PKG	5	325BULK	100							
3/16"	1 1/2"	1 7/8"	325V35*	2	NA	NA							
3/16"	1 5/8"	2"	326PKG	5	326BULK	100							
3/16"	1 5/8"	2"	326V35*	2	NA	NA							
3/16"	1 3/4"	2 1/8"	327PKG	5	327BULK	100							
3/16"	1 3/4"	2 1/8"	327V35*	2	NA	NA							
3/16"	1 7/8"	2 1/4"	328PKG	5	328BULK	100							
3/16"	2"	2 3/8"	329PKG	5	329BULK	100							
3/16"	2 1/8"	2 1/2"	330PKG	5	330BULK	100							
3/16"	2 1/4"	2 5/8"	331PKG	5	331BULK	100							
3/16"	2 3/8"	2 3/4"	332PKG	5	332BULK	100							
3/16"	2 1/2"	2 7/8"	333PKG	5	333BULK	100							
3/16"	2 5/8"	3	334PKG	5	334BULK	100							
3/16"	2 3/4"	3 1/8"	335PKG	5	335BULK	100							
3/16"	2 7/8"	3 1/4"	336PKG	5	336BULK	100							
3/16"	3	3 3/8"	337PKG	5	337BULK	100							
3/16"	3 1/8"	3 1/2"	338PKG	5	338BULK	50							
3/16"	3 1/4"	3 5/8"	339PKG	5	339BULK	50							
3/16"	3 3/8"	3 3/4"	340PKG	5	340BULK	50							

* Fluoroelastomer

O-RING SECTION

OK 311

Designed for emergency maintenance, this kit reduces downtime to a minimum by providing quick and easy selection of the proper replacement O-rings. O-rings in this kit are all nitrile (BUNA-N) rubber and in popular inch dimensions from 1/4" O.D. to 2 1/8" O.D. in thirty sizes

Kit Part	I.D.	O.D.	Width	Pcs.	Refill
006	1/8"	1/4"	1/16"	20	006PKG
007	5/32"	9/32"	1/16"	20	007PKG
008	3/16"	5/16"	1/16"	20	008PKG
009	7/32"	11/32"	1/16"	20	009PKG
010	1/4"	3/8"	1/16"	20	010PKG
011	5/16"	7/16"	1/16"	20	011PKG
012	3/8"	1/2"	1/16"	20	012PKG
110	3/8"	9/16"	3/32"	13	110PKG
111	7/16"	5/8"	3/32"	13	111PKG
112	1/2"	11/16"	3/32"	13	112PKG
113	9/16"	3/4"	3/32"	13	113PKG
114	5/8"	13/16"	3/32"	13	114PKG
115	11/16"	7/8"	3/32"	13	115PKG
116	3/4"	15/16"	3/32"	13	116PKG
210	3/4"	1"	1/8"	10	210PKG
211	13/16"	1 1/16"	1/8"	10	211PKG
212	7/8"	1 1/8"	1/8"	10	212PKG
213	15/16"	1 3/16"	1/8"	10	213PKG
214	1"	1 1/4"	1/8"	10	214PKG
215	1 1/16"	1 5/16"	1/8"	10	215PKG
216	1 1/8"	1 3/8"	1/8"	10	216PKG
217	1 3/16"	1 7/16"	1/8"	10	217PKG
218	1 1/4"	1 1/2"	1/8"	10	218PKG
219	1 5/16"	1 9/16"	1/8"	10	219PKG
220	1 3/8"	1 5/8"	1/8"	10	220PKG
221	1 7/16"	1 11/16"	1/8"	10	221PKG
222	1 1/2"	1 3/4"	1/8"	10	222PKG
325	1 1/2"	1 7/8"	3/16"	7	325PKG
326	1 5/8"	2"	3/16"	7	326PKG
327	1 3/4"	2 1/8"	3/16"	7	327PKG

OK 312

For metric applications, you will never have to guess which O-rings to use again. The OK-312 metric O-ring kit gives you 30 sizes of metric O-rings, from 7mm O.D. to 52mm O.D., made from nitrile rubber. This kit allows you to have the correct O-ring for your metric application

Kit Part	I.D.	O.D.	Width	Pcs.	Refill
6003020	3 mm	7 mm	2 mm	16	6003020
6004020	4 mm	8 mm	2 mm	16	6004020
6005020	5 mm	9 mm	2 mm	16	6005020
6006020	6 mm	10 mm	2 mm	16	6006020
6007020	7 mm	11 mm	2 mm	16	6007020
6008020	8 mm	12 mm	2 mm	16	6008020
6010020	10 mm	14 mm	2 mm	16	6010020
6010025	10 mm	15 mm	2.5 mm	13	6010025
6011025	11 mm	16 mm	2.5 mm	13	6011025
6012025	12 mm	17 mm	2.5 mm	13	6012025
6014025	14 mm	19 mm	2.5 mm	13	6014025
6016025	16 mm	21 mm	2.5 mm	13	6016025
6017025	17 mm	22 mm	2.5 mm	13	6017025
6019025	19 mm	24 mm	2.5 mm	13	6019025
6019030	19 mm	25 mm	3 mm	12	6019030
6020030	20 mm	26 mm	3 mm	12	6020030
6022030	22 mm	28 mm	3 mm	12	6022030
6024030	24 mm	30 mm	3 mm	12	6024030
6025030	25 mm	31 mm	3 mm	12	6025030
6027030	27 mm	33 mm	3 mm	12	6027030
6028030	28 mm	34 mm	3 mm	12	6028030
6030030	30 mm	36 mm	3 mm	12	6030030
6032030	32 mm	38 mm	3 mm	12	6032030
6033030	33 mm	39 mm	3 mm	12	6033030
6035030	35 mm	41 mm	3 mm	12	6035030
6036030	36 mm	42 mm	3 mm	12	6036030
6038030	38 mm	44 mm	3 mm	11	6038030
6038040	38 mm	46 mm	4 mm	9	6038040
6041040	41 mm	49 mm	4 mm	9	6041040
6044040	44 mm	52 mm	4 mm	9	6044040

OK 411

Designed for use in higher temperatures or particularly punishing applications, the O-rings in this kit are made from a super-durable fluoroelastomer. The kit provides O-rings in 30 popular sizes, in inch dimensions from 1/4" O.D. to 2 1/8" O.D.

Kit Part	I.D.	O.D.	Width	Pcs.	Refill
006V35	1/8"	1/4"	1/16"	10	006V35
007V35	5/32"	9/32"	1/16"	10	007V35
008V35	3/16"	5/16"	1/16"	10	008V35
009V35	7/32"	11/32"	1/16"	10	009V35
010V35	1/4"	3/8"	1/16"	10	010V35
011V35	5/16"	7/16"	1/16"	10	011V35
012V35	3/8"	1/2"	1/16"	10	012V35
110V35	3/8"	9/16"	3/32"	10	110V35
111V35	7/16"	5/8"	3/32"	10	111V35
112V35	1/2"	11/16"	3/32"	10	112V35
113V35	9/16"	3/4"	3/32"	10	113V35
114V35	5/8"	13/16"	3/32"	10	114V35
115V35	11/16"	7/8"	3/32"	5	115V35
116V35	3/4"	15/16"	3/32"	5	116V35
210V35	3/4"	1"	1/8"	5	210V35
211V35	13/16"	1 1/16"	1/8"	5	211V35
212V35	7/8"	1 1/8"	1/8"	5	212V35
213V35	15/16"	1 3/16"	1/8"	5	213V35
214V35	1"	1 1/4"	1/8"	5	214V35
215V35	1 1/16"	1 5/16"	1/8"	5	215V35
216V35	1 1/8"	1 3/8"	1/8"	2	216V35
217V35	1 3/16"	1 7/16"	1/8"	2	217V35
218V35	1 1/4"	1 1/2"	1/8"	2	218V35
219V35	1 5/16"	1 9/16"	1/8"	2	219V35
220V35	1 3/8"	1 5/8"	1/8"	2	220V35
221V35	1 7/16"	1 11/16"	1/8"	2	221V35
222V35	1 1/2"	1 3/4"	1/8"	2	222V35
325V35	1 1/2"	1 7/8"	3/16"	2	325V35
326V35	1 5/8"	2"	3/16"	2	326V35
327V35	1 3/4"	2 1/8"	3/16"	2	327V35

* O-Ring Gage (MD-999) sold separately. Individual O-Rings can be purchased separately

OIL SEALS

A-1205-A-1925 – A1205L-714

Mfr. No.	Name	Zero Duplication or Recommended Industrial	Mfr. No.	Name	Zero Duplication or Recommended Industrial	Mfr. No.	Name	Zero Duplication or Recommended Industrial	Mfr. No.	Name	Zero Duplication or Recommended Industrial
A-1205-A-1925	ROCKW	417484	A112603	OLIVE	471554!	A1205D-1070	ROCKW	370048A	A1205G-631	ROCKW	370001A
A-1205-A-1925	ROCKW	4874N	A11332	CASE	476470	A1205D-1070	ROCKW	380048A	A1205G-631	ROCKW	6638S
A-1205-B-1926	ROCKW	100494	A113763	OLIVE	471835!	A1205D-1148	ROCKW	416556!	A1205G-633	ROCKW	410308!
A-1205-B-1926	ROCKW	476470	A11507	CASE	471267!	A1205D-1148	ROCKW	472157	A1205G-633	ROCKW	473468
A-1205-D-1925	ROCKW	415082	A115551	OLIVE	470059	A1205D-160	ROCKW	470334!	A1205G-683	ROCKW	410308
A-1205-D-1928	ROCKW	415082	A115551	OLIVE	470380!	A1205D-1798	ROCKW	455612N* =	A1205G-735	ROCKW	370046A
A-1205-D-2422	ROCKW	415150 =	A115775	OLIVE	471192	A1205D-1850	ROCKW	370037A	A1205G-735	ROCKW	416297!
A-1205-D-2500	ROCKW	100495	A115792	OLIVE	471765!	A1205D-1850	ROCKW	370338A	A1205G-995	ROCKW	417365* =
A-1205-D-2578	ROCKW	370048A	A11592	CASE	471758!	A1205D-212	ROCKW	473231!	A1205H-138	ROCKW	472164!
A-1205-D-2578	ROCKW	380048A	A116110	OLIVE	471391!	A1205D-368	ROCKW	471766 =	A1205H-2114	ROCKW	40337S
A-1205-E-2501	ROCKW	100141	A11774	CUSH	240414	A1205D-394	ROCKW	471224	A1205H-398	ROCKW	55367 =
A-1205-F-2424	ROCKW	100495	A11788	WHITE	412445!	A1205D-420	ROCKW	416070	A1205H-398	ROCKW	416297
A-1205-F-2424	ROCKW	4810V!	A11805S-149	ROCKW	3591	A1205D-446	ROCKW	416288	A1205H-762	ROCKW	370007A
A-1205-F-2502	ROCKW	100263	A119488	US-EL	472258!	A1205D-602	ROCKW	471103!	A1205H-762	ROCKW	7866S
A-1205-G-2425	ROCKW	100263	A1199R-668	ROCKW	411253!	A1205D-680	ROCKW	6612S	A1205H-918	ROCKW	40566S
A-1205-G-2425	ROCKW	4561V	A1205-E-631	ROCKW	6638S	A1205D-758	ROCKW	418028	A1205H840	ROCKW	471224!
A-1205-G-2555	ROCKW	100355	A1205-L-2482	ROCKW	413469	A1205D-836	ROCKW	370036A	A1205I-11061	ROCKW	370003A
A-1205-H-2426	ROCKW	100263	A1205A-1015	ROCKW	413246	A1205D-836	ROCKW	370349A	A1205J-1102	ROCKW	416107!
A-1205-H-2426	ROCKW	4562V	A1205A-1015X	ROCKW	413246	A1205D-992	ROCKW	415351!	A1205J-1102	ROCKW	455073
A-1205-H-2556	ROCKW	100557	A1205A-1033	ROCKW	476281N =	A1205D2188	ROCKW	417316!	A1205J-1206	ROCKW	370007A
A-1205-J-2428	ROCKW	100494	A1205A-1035	ROCKW	472636!	A1205D2526	ROCKW	370023A	A1205J-1338	ROCKW	370093A* =
A-1205-J-2428	ROCKW	476470	A1205A-1249	ROCKW	2505	A1205D2526	ROCKW	380023A	A1205J-1388X	ROCKW	370093A =
A-1205-J-2558	ROCKW	100263	A1205A-1535	ROCKW	476470!	A1205E-1019	ROCKW	417507*	A1205J-1518	ROCKW	415379
A-1205-J-2558	ROCKW	100373	A1205A-1535	ROCKW	476470	A1205E-1071	ROCKW	370001A	A1205J-1544	ROCKW	415082
A-1205-K-2013	ROCKW	417507	A1205A-157	ROCKW	473367!	A1205E-1227	ROCKW	100495	A1205J-166	ROCKW	416288
A-1205-K-2429	ROCKW	100557	A1205A-157	ROCKW	473367	A1205E-1227	ROCKW	476023N	A1205J-2116	ROCKW	415124
A-1205-K-2429	ROCKW	4544V	A1205A-1665X	ROCKW	415551	A1205E-1253	ROCKW	417506	A1205J-2272	ROCKW	370181A
A-1205-K-2559	ROCKW	100406	A1205A-183	ROCKW	418028	A1205E-135	ROCKW	415001!	A1205J-296	ROCKW	415991
A-1205-K-2559	ROCKW	100495	A1205A-183	ROCKW	455137!	A1205E-1513	ROCKW	473238!	A1205J-296	ROCKW	455146!
A-1205-L-2428	ROCKW	100494	A1205A-1873	ROCKW	417602 =	A1205E-1591	ROCKW	253610	A1205J-374	ROCKW	471887
A-1205-L-2428	ROCKW	476470	A1205A-2107	ROCKW	45013S	A1205E-161	ROCKW	473367!	A1205J-374	ROCKW	370030A
A-1205-L-2430	ROCKW	100495	A1205A-287	ROCKW	473228!	A1205E-161	ROCKW	473367	A1205J-712	ROCKW	417211!
A-1205-L-2430	ROCKW	714810	A1205A-339	ROCKW	417196!	A1205E-1851	ROCKW	370036A	A1205J-738	ROCKW	455858
A-1205-N-2588	ROCKW	100263	A1205A-391	ROCKW	417621!	A1205E-1851	ROCKW	370349A	A1205J-998X	ROCKW	415458!
A-1205-N-2588	ROCKW	4562V	A1205A-651	ROCKW	452086	A1205E-2163	ROCKW	417507	A1205J1934	ROCKW	4564V
A-1205-P-2486	ROCKW	907155	A1205A-804	ROCKW	472636!	A1205E-317	ROCKW	417316!	A1205J842	ROCKW	7512S =
A-1205-P-2538	ROCKW	100557	A1205A-937	ROCKW	370037A	A1205E-343	ROCKW	476838!	A1205K-1285	ROCKW	370003A
A-1205-Q-2591	ROCKW	100557	A1205A-937	ROCKW	370338A	A1205E-603	ROCKW	415036	A1205K-1337	ROCKW	415991
A-1205-Q-2591	ROCKW	4544V	A1205A-989	ROCKW	416891!	A1205E-707	ROCKW	5487	A1205K-1337	ROCKW	415991!
A-1205-R-2592	ROCKW	100494	A1205A-989X	ROCKW	416891!	A1205E-837	ROCKW	415437	A1205K-141	ROCKW	474265
A-1205-R-2592	ROCKW	476470	A1205B-1016	ROCKW	456641	A1205E-837	ROCKW	415437!	A1205K-167	ROCKW	473215
A-1205-S-2255	ROCKW	100495	A1205B-1198	ROCKW	412119	A1205E-863X	ROCKW	471391!	A1205K-1753	ROCKW	472016
A-1205-S-2281	ROCKW	417484	A1205B-1224	ROCKW	413246	A1205E-993	ROCKW	417522	A1205K-1779	ROCKW	417484!
A-1205-U-1934	ROCKW	4564V	A1205B-1314	ROCKW	370077A* =	A1205E-993X	ROCKW	417522	A1205K-219	ROCKW	50560
A-1205-U-1945	ROCKW	100557	A1205B-1328	ROCKW	3136N	A1205E2186	ROCKW	473490	A1205K-427	ROCKW	473238!
A-1205-U-1945	ROCKW	4544V	A1205B-1718	ROCKW	450523	A1205E265	ROCKW	470059	A1205K-453	ROCKW	6245S =
A-1205-U-2257	ROCKW	100263	A1205B-1796X	ROCKW	370166A*	A1205E265	ROCKW	470380!	A1205K-531	ROCKW	470625!
A-1205-U-2257	ROCKW	4562V	A1205B-184	ROCKW	471821!	A1205F-1043	ROCKW	416888	A1205K-583	ROCKW	471413
A-1205-U-2335	ROCKW	100495	A1205B-210	ROCKW	415458!	A1205F-136	ROCKW	40468	A1205K-635	ROCKW	410737!
A-1205-U-2335	ROCKW	714810	A1205B-2108	ROCKW	40101S	A1205F-1748	ROCKW	370030A	A1205K-687	ROCKW	5313\$
A-1205-W-1895	ROCKW	100495	A1205B-288	ROCKW	416294!	A1205F-362	ROCKW	473446	A1205K-713	ROCKW	3592
A-1205-W-1895	ROCKW	476023N	A1205B-366	ROCKW	471271!	A1205F-370	ROCKW	5957S	A1205K-739	ROCKW	455858
A-1205-W-1895	ROCKW	4810V!	A1205B-574	ROCKW	370008A	A1205F-448	ROCKW	416332!	A1205K-937	ROCKW	370037A
A-1205-Y-1897	ROCKW	100263	A1205B-574	ROCKW	6270	A1205F-682	ROCKW	451078!	A1205K-937	ROCKW	370338A
A-1205-Y-1897	ROCKW	3905	A1205B-626	ROCKW	410987!	A1205F-708	ROCKW	417349	A1205K-999	ROCKW	386025A
A-1205-Y-1897	ROCKW	4562V	A1205B-678	ROCKW	415007	A1205F-760	ROCKW	471138!	A1205K-999	ROCKW	416158
A-65277	TROS	370030A	A1205B-834X	ROCKW	55469	A1205F-838	ROCKW	370037A	A1205K401	ROCKW	417316!
A020571	FED	6971S =	A1205B2264	ROCKW	370001A	A1205F-838	ROCKW	370338A	A1205K401	ROCKW	417316 =
A0383	CATER	473442!	A1205C-1069	ROCKW	473240!	A1205F-88	ROCKW	472179	A1205L-1338	ROCKW	370001A
A10062	CASE	415960	A1205C-1355	ROCKW	473215*	A1205F-969	ROCKW	417337N*	A1205L-1390	ROCKW	415294!
A10096	CASE	472015!	A1205C-1381	ROCKW	370054A	A1205F162	ROCKW	470059	A1205L-142	ROCKW	473462
A10132A	CUSH	340930	A1205C-159	ROCKW	410102	A1205F162	ROCKW	470380!	A1205L-1598	ROCKW	386025A
A102	TROS	HU012A	A1205C-1719	ROCKW	370011A	A1205G-1047	ROCKW	472439	A1205L-1598	ROCKW	416158
A10260	CASE	471466!	A1205C-1875	ROCKW	370036A	A1205G-1177	ROCKW	2704 =	A1205L-1780	ROCKW	416961 =
A1026J	EATON	450084!	A1205C-1875	ROCKW	370349A	A1205G-1723	ROCKW	415196!	A1205L-220	ROCKW	472319
A104255	CONCA	471649!	A1205C-211	ROCKW	417159	A1205G-189	ROCKW	415035	A1205L-324	ROCKW	370036A
A104255	CONTI	471649!	A1205C-367	ROCKW	411253!	A1205G-189	ROCKW	415035!	A1205L-324	ROCKW	370349A
A106737R91	IH	474278	A1205C-653	ROCKW	415060	A1205G-293	ROCKW	418028	A1205L-364	ROCKW	416107!
A109155	OLIVE	472560N	A1205C-653	ROCKW	455060	A1205G-293	ROCKW	455137!	A1205L-364	ROCKW	455073
A109155	WHITE	472560N	A1205C-757	ROCKW	472016	A1205G-397	ROCKW	416654	A1205L-415	ROCKW	472636!
A11120	CASE	471141!	A1205C1927	ROCKW	415995	A1205G-423	ROCKW	415041	A1205L-714	ROCKW	416500
A11151	JOHND	412920!	A1205D-1018	ROCKW	416888	A1205G-605	ROCKW	40286	A1205L-714	ROCKW	4563V

ALPHABETICAL INTERCHANGE

! Industrial Size/Type * Minor Width Difference \$F-M Number Is Part Of A Kit
 = The U.S. customer service number is 877-4-TIMKEN. The Canadian customer service numbers are 800-565-4927 (English) and 800-565-0438 (French-Canadian).

Zero Duplication or Recommended Industrial		Zero Duplication or Recommended Industrial		Zero Duplication or Recommended Industrial		Zero Duplication or Recommended Industrial	
Mfr. No.	Name	Mfr. No.	Name	Mfr. No.	Name	Mfr. No.	Name
A1205L-740	ROCKW	A1205Q-1395	ROCKW	A1205T-670	ROCKW	A1205X-180	ROCKW
A1205L-741	ROCKW	A1205Q-1525	ROCKW	A1205T-696	ROCKW	A1205X-1896	ROCKW
A1205L-750	ROCKW	A1205Q-1629	ROCKW	A1205T-696	ROCKW	A1205X-258	ROCKW
A1205L-766	ROCKW	A1205Q-1629	ROCKW	A1205T-722	ROCKW	A1205X-414	ROCKW
A1205L-922X	ROCKW	A1205Q-1655	ROCKW	A1205T-724	ROCKW	A1205X-596	ROCKW
A1205L-1546	ROCKW	A1205Q-1665	ROCKW	A1205T-748	ROCKW	A1205X-622	ROCKW
A1205M-1287	ROCKW	A1205Q-1759	ROCKW	A1205T-774	ROCKW	A1205X-752	ROCKW
A1205M-1625	ROCKW	A1205Q-1915	ROCKW	A1205T-800X	ROCKW	A1205X-804	ROCKW
A1205M-1718	ROCKW	A1205Q-1941	ROCKW	A1205T1112	ROCKW	A1205X-960	ROCKW
A1205M-429	ROCKW	A1205Q-225	ROCKW	A1205T1112	ROCKW	A1205X-960X	ROCKW
A1205M-585	ROCKW	A1205Q-329	ROCKW	A1205U-1061	ROCKW	A1205Y-1377	ROCKW
A1205M-611	ROCKW	A1205Q-407	ROCKW	A1205U-1243	ROCKW	A1205Y-1533X	ROCKW
A1205M-715	ROCKW	A1205Q-45	ROCKW	A1205U-1529	ROCKW	A1205Y-1689X	ROCKW
A1205M-897	ROCKW	A1205Q-563	ROCKW	A1205U-1635	ROCKW	A1205Y-1715	ROCKW
A1205M-897	ROCKW	A1205Q-615	ROCKW	A1205U-1685	ROCKW	A1205Y-1923	ROCKW
A1205M-897	ROCKW	A1205Q-849X	ROCKW	A1205U-1685	ROCKW	A1205Y-1975	ROCKW
A1205M2197	ROCKW	A1205Q-979X	ROCKW	A1205U-229	ROCKW	A1205Y-1975	ROCKW
A1205M2198	ROCKW	A1205Q1447	ROCKW	A1205U-297	ROCKW	A1205Y-2105	ROCKW
A1205M325	ROCKW	A1205Q173	ROCKW	A1205U-411	ROCKW	A1205Y-233	ROCKW
A1205N-1132	ROCKW	A1205Q2487	ROCKW	A1205U-437	ROCKW	A1205Y-363	ROCKW
A1205N-1288	ROCKW	A1205Q723	ROCKW	A1205U-515	ROCKW	A1205Y-363	ROCKW
A1205N-1314	ROCKW	A1205R-1	ROCKW	A1205U-619	ROCKW	A1205Y-415	ROCKW
A1205N-1392	ROCKW	A1205R-1344	ROCKW	A1205U-697	ROCKW	A1205Y-571	KEN
A1205N-1496	ROCKW	A1205R-148	ROCKW	A1205U-723	ROCKW	A1205Y-571	ROCKW
A1205N-1548	ROCKW	A1205R-148	ROCKW	A1205U-749	ROCKW	A1205Y-727	ROCKW
A1205N-1574	ROCKW	A1205R-1552	ROCKW	A1205V-1062	ROCKW	A1205Y-909	ROCKW
A1205N-1614	ROCKW	A1205R-1604	ROCKW	A1205V-1192	ROCKW	A1205Y-961	ROCKW
A1205N-1851	ROCKW	A1205R-1630	ROCKW	A1205V-126	ROCKW	A1205Y1533	ROCKW
A1205N-1851	ROCKW	A1205R-2124	ROCKW	A1205V-1374	ROCKW	A1205Z-1014	ROCKW
A1205N-300	ROCKW	A1205R-226	ROCKW	A1205V-1556	ROCKW	A1205Z-1534	ROCKW
A1205N-612	ROCKW	A1205R-330	ROCKW	A1205V-1634X	ROCKW	A1205Z-156	ROCKW
A1205N-664	ROCKW	A1205R-408	ROCKW	A1205V-1660	ROCKW	A1205Z-1638X	ROCKW
A1205N-742	ROCKW	A1205R-564	ROCKW	A1205V-230	ROCKW	A1205Z-1716	ROCKW
A1205N-846	ROCKW	A1205R-590	ROCKW	A1205V-230	ROCKW	A1205Z-182	ROCKW
A1205N-898	ROCKW	A1205R-616	ROCKW	A1205V-256	ROCKW	A1205Z-1820	ROCKW
A1205N-898	ROCKW	A1205R-642	ROCKW	A1205V-386	ROCKW	A1205Z-2106	ROCKW
A1205N-898X	ROCKW	A1205R2488	ROCKW	A1205V-542	ROCKW	A1205Z-2132	ROCKW
A1205N-898X	ROCKW	A1205S-1033	ROCKW	A1205V-596	ROCKW	A1205Z-286	ROCKW
A1205N1132S	ROCKW	A1205S-1111X	ROCKW	A1205V-672	ROCKW	A1205Z-338	ROCKW
A1205P-1004	ROCKW	A1205S-1319	ROCKW	A1205V-672	ROCKW	A1205Z-364	ROCKW
A1205P-1212	ROCKW	A1205S-1345	ROCKW	A1205V-723	ROCKW	A1205Z-884	ROCKW
A1205P-1238	ROCKW	A1205S-1449	ROCKW	A1205V-724	ROCKW	A1205Z-910	ROCKW
A1205P-1368	ROCKW	A1205S-149	ROCKW	A1205V-802X	ROCKW	A1205Z-962X	ROCKW
A1205P-1368	ROCKW	A1205S-1527	ROCKW	A1205V-958	ROCKW	A1208	HWY
A1205P-1446	ROCKW	A1205S-1631	ROCKW	A1205V2102	ROCKW	A12536	WHITE
A1205P-1449	ROCKW	A1205S-1657	ROCKW	A1205V2492	ROCKW	A125Y1533	ROCKW
A1205P-146	KEN	A1205S-617	ROCKW	A1205V2492	ROCKW	A12929	CASE
A1205P-146	ROCKW	A1205S-669	ROCKW	A1205W-1167X	ROCKW	A12931	CASE
A1205P-1466	ROCKW	A1205S-695	ROCKW	A1205W-1193	ROCKW	A12996	CASE
A1205P-1602	ROCKW	A1205S-747	ROCKW	A1205W-1245	ROCKW	A12996	CASE
A1205P-1680	ROCKW	A1205S175	ROCKW	A1205W-1345	ROCKW	A130030	KOE
A1205P-1758	ROCKW	A1205S2203	ROCKW	A1205W-1349	ROCKW	A1305L-194	ROCKW
A1205P-1888	ROCKW	A1205S2489	ROCKW	A1205W-1375	ROCKW	A13063	WHITE
A1205P-198	ROCKW	A1205S2489	ROCKW	A1205W-1557	ROCKW	A13262	CASE
A1205P-224	ROCKW	A1205T-1086	ROCKW	A1205W-1687X	ROCKW	A1342001	CYCLO
A1205P-2590	ROCKW	A1205T-124	ROCKW	A1205W-283	ROCKW	A134Z012	CYCLO
A1205P-276	ROCKW	A1205T-1242	ROCKW	A1205W-309	ROCKW	A134Z012	GR-DV
A1205P-276	ROCKW	A1205T-1252	ROCKW	A1205W-647	ROCKW	A13591	LONG
A1205P-302	ROCKW	A1205T-1424	ROCKW	A1205W-647	ROCKW	A136563	CASE
A1205P-328	ROCKW	A1205T-150	ROCKW	A1205W1531X	ROCKW	A136660	CASE
A1205P-380	ROCKW	A1205T-1534	ROCKW	A1205W1531X	ROCKW	A13729	WHITE
A1205P-406	ROCKW	A1205T-1580	ROCKW	A1205W2467	ROCKW	A138295	CASE
A1205P-614	ROCKW	A1205T-1710	ROCKW	A1205W829	ROCKW	A139499	HYST
A1205P-666	ROCKW	A1205T-1814	ROCKW	A1205X-1116	ROCKW	A139499	HYST
A1205P-848	ROCKW	A1205T-1944	ROCKW	A1205X-128	ROCKW	A1400	CATER
A1205P-900	ROCKW	A1205T-1996	ROCKW	A1205X-1298	ROCKW	A1401	CATER
A1205P1914	ROCKW	A1205T-228	ROCKW	A1205X-1532	ROCKW	A1401	TMTR
A1205P2226	ROCKW	A1205T-436	ROCKW	A1205X-1662	ROCKW	A140145	CASE
A1205P2226	ROCKW	A1205T-50	ROCKW	A1205X-1662	ROCKW	A140145	CASE
A1205Q-1317	ROCKW	A1205T-634	ROCKW	A1205X-1688X	ROCKW	A1402	TMTR
		A1205T-644	ROCKW	A1205X-1690X	ROCKW	A1403	CATER
				A1205X-1792	ROCKW		

! Industrial Size/Type * Minor Width Difference

= The U.S. customer service number is 877-4-TIMKEN. The Canadian customer service numbers are 800-565-4927 (English) and 800-565-0438 (French-Canadian).

OIL SEALS

A1404 – A1805P-562

Zero Duplication or Recommended Industrial		Zero Duplication or Recommended Industrial		Zero Duplication or Recommended Industrial		Zero Duplication or Recommended Industrial		
Mfr. No.	Name	Mfr. No.	Name	Mfr. No.	Name	Mfr. No.	Name	
A1404	TMTR	471762!	A1805A-261	ROCKW	416706	A1805E-343	ROCKW	415371
A1405A-1	ROCKW	417316!	A1805A-365	ROCKW	415449!	A1805E-369	ROCKW	418028!
A1405A-27X	ROCKW	417601!	A1805A-417	ROCKW	417344!	A1805E-369	ROCKW	455137
A1405C-3	ROCKW	471267!	A1805A-443	ROCKW	353120	A1805E-395	ROCKW	417570
A1405D-30X	ROCKW	417357	A1805A-495	ROCKW	415995!	A1805E-447	ROCKW	472164=
A1405D-4	ROCKW	254287	A1805A-53	ROCKW	472636!	A1805E-473	ROCKW	415035
A1405E-5	ROCKW	415072	A1805A-547	ROCKW	417353!	A1805E-499	ROCKW	417269
A1405F-6	ROCKW	471224!	A1805A-573	ROCKW	471341	A1805E-5	ROCKW	415023
A1405G-7	ROCKW	472636!	A1805A-625	ROCKW	416271!	A1805E-57	ROCKW	473444
A1405K-11	ROCKW	472299	A1805A-79	ROCKW	415001!	A1805E-577	ROCKW	415447
A1405P-42X	ROCKW	417357	A1805A183	ROCKW	471192	A1805E-603	ROCKW	472397!
A1405Q-17	ROCKW	411253!	A1805A235	ROCKW	471785!	A1805E-695	ROCKW	473214!
A1405S-45X	ROCKW	476470!	A1805A382	ROCKW	471192	A1805E109	ROCKW	471192
A1405S-45X	ROCKW	476470	A1805B-106	ROCKW	470950!	A1805F-110	ROCKW	472144!
A1405W-23	ROCKW	471504	A1805B-106	ROCKW	6241S	A1805F-136	ROCKW	412119!
A1405W-49	ROCKW	473010=	A1805B-132	ROCKW	415045!	A1805F-162	ROCKW	417487!
A1405X-50	ROCKW	471276=	A1805B-2	ROCKW	417487	A1805F-162	ROCKW	417487
A1405Y-51	ROCKW	415192N	A1805B-236	ROCKW	472015!	A1805F-240	ROCKW	415656
A1405Z-52	ROCKW	417601=	A1805B-262	ROCKW	415458!	A1805F-500	ROCKW	473467!
A140930	CASE	416961=	A1805B-262X	ROCKW	415984!	A1805F-526	ROCKW	473204
A1410	TMTR	200354	A1805B-28	ROCKW	472636!	A1805F-552	ROCKW	473244!
A14160	WHITE	472636!	A1805B-288	ROCKW	471341!	A1805F-578	ROCKW	415449!
A14161	WHITE	473228	A1805B-314	ROCKW	473179!	A1805F-58	ROCKW	455151
A14162	WHITE	471750!	A1805B-340	ROCKW	415725!	A1805F-630	ROCKW	450540
A14163	WHITE	450593!	A1805B-366	ROCKW	481163!	A1805F-708	ROCKW	417621
A14164	WHITE	470050	A1805B-392	ROCKW	415854	A1805G-319	ROCKW	472144!
A14216	WILYS	6074	A1805B-415	ROCKW	417602!	A1805G-371	ROCKW	471984
A1423	JA-HE	471442!	A1805B-418	ROCKW	417602!	A1805G-423	ROCKW	415379
A142927	CASE	477609=	A1805B-470	ROCKW	450362	A1805G-579	ROCKW	473232
A143754	MASSE	415449!	A1805B-496	ROCKW	416706	A1805G-59	ROCKW	472394
A1443	OLIVE	450040	A1805B-54	ROCKW	472924!	A1805G-605	ROCKW	412473!
A1443A	OLIVE	417196!	A1805B-548	ROCKW	415437	A1805G-631	ROCKW	450930=
A1443B	GAL	417356!	A1805B-574	ROCKW	470898	A1805G-683	ROCKW	471271!
A1443B	GAL	455188	A1805B-678	ROCKW	417603!	A1805G-709	ROCKW	416624*
A1443B	HOUGH	417356!	A1805B-730	ROCKW	417269*=	A1805G-85	ROCKW	476838!
A1443B	HOUGH	455188	A1805B-80	ROCKW	415960	A1805H-138	ROCKW	471354!
A1443B	OLIVE	417356!	A1805C-107	ROCKW	472394	A1805H-1386X	ROCKW	417603!
A1443B	OLIVE	455188	A1805C-133	ROCKW	473232	A1805H-164	ROCKW	416404!
A1443C	OLIVE	472157!	A1805C-159	ROCKW	472164!	A1805H-190	ROCKW	415142
A1443C	OLIVE	472157	A1805C-185	ROCKW	415725!	A1805H-294	ROCKW	412871!
A14538	AMC	471442!	A1805C-237	ROCKW	473474	A1805H-372	ROCKW	50254=
A14629	JOHND	200110	A1805C-263	ROCKW	55358=	A1805H-398	ROCKW	470898
A14813	CASE	470898=	A1805C-29	ROCKW	416865!	A1805H-424	ROCKW	455509
A148456	ALLCH	472012	A1805C-3	ROCKW	415960!	A1805H-450	ROCKW	470530!
A14987	CASE	472409!	A1805C-315	ROCKW	470898	A1805H-502	ROCKW	8557=
A149A	BR-WN	470334!	A1805C-367	ROCKW	473450	A1805H-580	ROCKW	416107!
A151	IRON	470334!	A1805C-419	ROCKW	470565!	A1805H-60	ROCKW	472016
A152352	CASE	477673V=	A1805C-445	ROCKW	472164=	A1805H-606	ROCKW	473228!
A152353	CASE	477674V=	A1805C-523	ROCKW	481678=	A1805H-86	ROCKW	473211!
A152354	CASE	477586V=	A1805C-549	ROCKW	472439	A1805J-140	ROCKW	471766!
A153036	CASE	415449	A1805C-575	ROCKW	417247!	A1805J-166	ROCKW	416288
A155226	CASE	415559	A1805C-627	ROCKW	473463=	A1805J-192	ROCKW	471224!
A156423	CASE	3502*	A1805C289	ROCKW	471192	A1805J-218	ROCKW	472492!
A156424	CASE	3503*	A1805C705	ROCKW	370064A	A1805J-296	ROCKW	472164!
A156425	JOHND	3123*	A1805D-134	ROCKW	472179	A1805J-348	ROCKW	470898!
A156426	JOHND	3124*	A1805D-160	ROCKW	450084!	A1805J-374	ROCKW	415303!
A156577	CASE	473458!	A1805D-186	ROCKW	473203	A1805J-400	ROCKW	472299
A1625	CATER	481864	A1805D-212	ROCKW	417484!	A1805J-478	ROCKW	416364!
A1625	TMTR	481864	A1805D-290	ROCKW	473234!	A1805J-530	ROCKW	415138!
A16356	CASE	417262!	A1805D-316	ROCKW	415498	A1805J-556	ROCKW	417205!
A164658	CASE	417485	A1805D-342	ROCKW	417597	A1805J-608	ROCKW	417134
A16524	OLIVE	471224!	A1805D-368	ROCKW	471276	A1805J-62	ROCKW	415995!
A16653	CASE	455330!	A1805D-4	ROCKW	417158!	A1805J-686	ROCKW	472492!
A175836	AU-WS	416654!	A1805D-498X	ROCKW	472439	A1805K-11	ROCKW	416288!
A1797	TMTR	471689!	A1805D-550	ROCKW	470530!	A1805K-141	ROCKW	473471
A18000	CASE	456967N=	A1805D-56	ROCKW	473226	A1805K-193	ROCKW	470530!
A18000	CASE	456967V!	A1805D-576	ROCKW	100494	A1805K-245	ROCKW	473214
A1805A-1	ROCKW	415023	A1805D-576	ROCKW	476470!	A1805K-297	ROCKW	415035
A1805A-131	ROCKW	412943	A1805D-82	ROCKW	472636!	A1805K-37	ROCKW	470334!
A1805A-157	KEN	473228!	A1805E-135	ROCKW	416921!	A1805K-375	ROCKW	470565!
A1805A-157	ROCKW	473228=	A1805E-187	ROCKW	412473!	A1805K-427	ROCKW	450090
A1805A-209	ROCKW	473473	A1805E-239	ROCKW	455330!	A1805K-531	ROCKW	470565!

! Industrial Size/Type * Minor Width Difference

= The U.S. customer service number is 877-4-TIMKEN. The Canadian customer service numbers are 800-565-4927 (English) and 800-565-0438 (French-Canadian).

ALPHABETICAL INTERCHANGE

Mfr. No.	Name	Zero Duplication or Recommended Industrial	Mfr. No.	Name	Zero Duplication or Recommended Industrial	Mfr. No.	Name	Zero Duplication or Recommended Industrial	Mfr. No.	Name	Zero Duplication or Recommended Industrial
A1805P-588	ROCKW	416294!	A1805T-514	ROCKW	8562 =	A1805Y-285	ROCKW	410524	A21878	CASE	415725!
A1805P-666	ROCKW	473238!	A1805T-514X	ROCKW	8562 =	A1805Y-337	ROCKW	455480!	A2208N-820	ROCKW	730149
A1805P-718	ROCKW	415498	A1805T-540	ROCKW	415447	A1805Y-51	ROCKW	415023	A221	VIC	16210
A1805P94	ROCKW	471787!	A1805T-618	ROCKW	472705!	A1805Y-519	ROCKW	417316!	A222	VIC	16204
A1805Q-199	ROCKW	473229	A1805T-722	ROCKW	471424!	A1805Y-545	ROCKW	417191	A2231	VIC	16200
A1805Q-225	ROCKW	410524	A1805T-98	ROCKW	472179	A1805Y-571X	ROCKW	5588 =	A223897	GMC	55469
A1805Q-277	ROCKW	455655!	A1805TSG-1	ROCKW	472636!	A1805Y-597	ROCKW	472397!	A223898	CASE	471821!
A1805Q-303	ROCKW	410737!	A1805U-151	ROCKW	416404!	A1805Y-727	ROCKW	473239	A1805Y-727	CASE	415449!
A1805Q-307	ROCKW	471271!	A1805U-177	ROCKW	450039	A1805Y-77	ROCKW	476470	A224	VIC	16201
A1805Q-381	ROCKW	450965	A1805U-203	ROCKW	473214!	A1805Y207	ROCKW	480630!	A224015	CASE	471689!
A1805Q-407	ROCKW	415234!	A1805U-281	ROCKW	455480!	A1805Y311	ROCKW	415991	A2241	VIC	16201
A1805Q-433	ROCKW	472258!	A1805U-307	ROCKW	471271!	A1805Y401	ROCKW	470764!	A225	VIC	16208
A1805Q-485	ROCKW	417211!	A1805U-333	ROCKW	413246	A1805Y401	ROCKW	50764	A2262	VIC	16213
A1805Q-537	ROCKW	416297	A1805U-381	ROCKW	450965	A1805Y493	ROCKW	327303!	A227	VIC	16211
A1805Q-563	ROCKW	471272!	A1805U-47	ROCKW	417205!	A1805Z-104	ROCKW	415449!	A228	VIC	16202
A1805Q-589	ROCKW	415035!	A1805U-515	ROCKW	412119	A1805Z-130	ROCKW	415458!	A228	VIC	16215
A1805Q-615	ROCKW	415854	A1805U-541	ROCKW	415447	A1805Z-234	ROCKW	472409!	A2281	VIC	16212
A1805Q-667	ROCKW	415035!	A1805U-567	ROCKW	416321	A1805Z-26	ROCKW	254287	A2291	VIC	16203
A1805Q-667	ROCKW	415035	A1805U-645	ROCKW	471424!	A1805Z-260	ROCKW	417601	A230	VIC	16203
A1805Q-693	ROCKW	473232!	A1805U-723	ROCKW	418028	A1805Z-286	ROCKW	410825	A230	VIC	16205
A1805Q-95	ROCKW	417344!	A1805U255	ROCKW	414268!	A1805Z-338	ROCKW	412027	A231	VIC	16206
A1805Q69	ROCKW	470059	A1805V-152	ROCKW	416654	A1805Z-364	ROCKW	471316	A232	VIC	16209
A1805Q69	ROCKW	470380!	A1805V-256	ROCKW	455134!	A1805Z-442	ROCKW	415447	A235	VIC	16217
A1805R-122	ROCKW	417621!	A1805V-308	ROCKW	417600	A1805Z-494	ROCKW	471267!	A237	VIC	16216
A1805R-174	ROCKW	415991	A1805V-386	ROCKW	472185!	A1805Z-494X	ROCKW	471267!	A23903	CASE	471224!
A1805R-174	ROCKW	455146!	A1805V-490	ROCKW	417262!	A1805Z-52	ROCKW	417487	A24122	CASE	353135
A1805R-200	ROCKW	472287!	A1805V-516	ROCKW	415389	A1805Z-520	ROCKW	417349	A24122	CASE	474278
A1805R-226	ROCKW	473237!	A1805V-516X	ROCKW	415389	A1805Z-546	ROCKW	8907	A245	SPICE	470606!
A1805R-278	ROCKW	417562	A1805V-542	ROCKW	416267!	A1805Z-572	ROCKW	473239!	A2471	TMTR	473448
A1805R-304	ROCKW	471504!	A1805V-568	ROCKW	416865!	A1805Z-598	ROCKW	470605!	A249A	BR-WN	471141!
A1805R-330	ROCKW	472179	A1805V-620	ROCKW	472179	A1805Z182	ROCKW	471689!	A25153	CASE	415960
A1805R-356	ROCKW	415483!	A1805V-724	ROCKW	416706!	A18185	CASE	410308	A25235	CASE	471341!
A1805R-408	ROCKW	470898 =	A1805V-74	ROCKW	55353	A187	SPICE	473215!	A25244	CASE	470898
A1805R-538	ROCKW	415725!	A1805V334	ROCKW	471192	A187	TRUK	473215!	A25407	CASE	471554!
A1805R-564	ROCKW	450803	A1805W-101	ROCKW	473313	A19284	OLIVE	473215!	A25618	AMC	471579
A1805R-590	ROCKW	416332!	A1805W-127	ROCKW	415458!	A193983	IH	415035	A256A	OLIVE	473419
A1805R-616	ROCKW	417357	A1805W-257	ROCKW	472409	A1978	JAC	474260	A25897	WHITE	473215!
A1805R-694	ROCKW	416664!	A1805W-335	ROCKW	417349	A1ES17908	ROCKW	455655!	A26190	WHITE	470059
A1805R-96	ROCKW	470088	A1805W-413	ROCKW	472164!	A1ES20065	ROCKW	415379!	A26190	WHITE	470380!
A1805R382	ROCKW	471192	A1805W-439	ROCKW	471341!	A1ES20065	ROCKW	415379	A26191	WHITE	450593!
A1805S-123	ROCKW	473473	A1805W-465	ROCKW	415960!	A1ES20179	ROCKW	415995!	A261997	GMC	472439
A1805S-149	ROCKW	416282	A1805W-517	ROCKW	416271!	A20288	CASE	410752	A26207	WHITE	450033
A1805S-19	ROCKW	450467	A1805W-543	ROCKW	415303!	A205F-1019	ROCKW	415960	A26365	WHITE	470050
A1805S-220	ROCKW	473475	A1805W-569	ROCKW	417967!	A205F-1023	ROCKW	412119	A26409	US-EL	474264
A1805S-227	ROCKW	412027	A1805W-595	ROCKW	7516	A205F-1029	ROCKW	417487	A26410	US-EL	417171!
A1805S-253	ROCKW	474272!	A1805W-647	ROCKW	450523	A205F-1029	ROCKW	417487!	A26500	WHITE	471281!
A1805S-279	ROCKW	471570!	A1805W-725	ROCKW	370008A	A205F-1032	ROCKW	416888!	A265638	MASSE	473228!
A1805S-305	ROCKW	470954!	A1805W153	ROCKW	473227	A205F-1034	ROCKW	355200	A26586	KOEH	416865!
A1805S-331	ROCKW	417354!	A1805X-104	ROCKW	415449!	A205F-1034	ROCKW	416888!	A265987	THEW	416556!
A1805S-357	ROCKW	472439	A1805X-128	KEN	472636!	A205F-713	ROCKW	415379	A265987	THEW	472157
A1805S-383	ROCKW	471195!	A1805X-128	ROCKW	472636!	A205F-713	ROCKW	415379!	A26671	WHITE	473444
A1805S-409	ROCKW	471341	A1805X-154	ROCKW	411253!	A205F-841	ROCKW	472492!	A26758	CASE	476838!
A1805S-487	ROCKW	417316!	A1805X-206	ROCKW	415437	A205F-847	ROCKW	410987!	A26759	CASE	417344!
A1805S-513	ROCKW	417349	A1805X-232	ROCKW	471835!	A205F-847	ROCKW	450686	A26760	CASE	472185!
A1805S-539	ROCKW	471341!	A1805X-258	ROCKW	416288	A205F-863	ROCKW	417349	A26770	CASE	415001!
A1805S-565	ROCKW	473423	A1805X-260	ROCKW	417601	A205F-886	ROCKW	412119!	A26777	CASE	472287!
A1805S-617	ROCKW	416892!	A1805X-284	ROCKW	455080	A205F-911	ROCKW	415995!	A26778	CASE	471466!
A1805S-643	ROCKW	416556!	A1805X-286	ROCKW	410825	A205F-911	ROCKW	415995!	A26842	CASE	450474
A1805S-643	ROCKW	472157	A1805X-336	ROCKW	415483!	A205F-939	ROCKW	473239	A26849	CASE	471224!
A1805S-695	ROCKW	473214!	A1805X-337	ROCKW	455480!	A205F-960	ROCKW	476470	A26862	CASE	471570!
A1805S-71	ROCKW	415234	A1805X-362	ROCKW	417967!	A205F-969	ROCKW	417337N*	A26870	THEW	416921!
A1805S-721	ROCKW	415449!	A1805X-518	ROCKW	416130!	A205F-997	ROCKW	471138!	A26987	THEW	416556!
A1805S175	ROCKW	471765!	A1805X-544	ROCKW	416130!	A205P-1022	ROCKW	450073	A26987	THEW	472157
A1805T-124	ROCKW	472636!	A1805X648	ROCKW	471224!	A205P-1024	ROCKW	417485	A27086	WHITE	473367!
A1805T-20	ROCKW	470088	A1805Y-103	ROCKW	471141!	A206X	FMC	471466	A27086	WHITE	473367
A1805T-228	ROCKW	417316!	A1805Y-105	ROCKW	471141!	A2075	MINNM	472144!	A27130	CASE	417316!
A1805T-254	ROCKW	471827!	A1805Y-129	ROCKW	415449!	A207X	FMC	470954!	A272	COTTA	470950!
A1805T-306	ROCKW	472492!	A1805Y-155	KEN	475348N	A20939	CASE	415984!	A272	COTTA	6241S
A1805T-358	ROCKW	473238	A1805Y-155	ROCKW	475348N	A212039	GMC	416229	A27342	CASE	421
A1805T-384	ROCKW	412119!	A1805Y-233	ROCKW	476470!	A212040	GMC	416239!	A27355	CASE	422
A1805T-410	ROCKW	470898	A1805Y-233	ROCKW	476470	A21273	ROCKW	473214	A27365	CASE	414
A1805T-488	ROCKW	415984!	A1805Y-259	ROCKW	415001!	A215F-964	ROCKW	2081	A27415	CASE	415458!

! Industrial Size/Type * Minor Width Difference

= The U.S. customer service number is 877-4-TIMKEN. The Canadian customer service numbers are 800-565-4927 (English) and 800-565-0438 (French-Canadian).

Mfr. No.	Name	Zero Duplication or Recommended Industrial	Mfr. No.	Name	Zero Duplication or Recommended Industrial	Mfr. No.	Name	Zero Duplication or Recommended Industrial	Mfr. No.	Name	Zero Duplication or Recommended Industrial
A27464	CASE	455566	A32275X	WHITE	412920!	A4068128	BRWNG	471516!	A45542S	TROS	2443
A276919	NAPCO	450398	A32304	CASE	413247!	A4068771	BRWNG	470989	A45543S	TROS	2503
A276919	NAPCO	471267!	A32305	CASE	415984!	A4068797	BRWNG	471612	A45543S	TROS	2503N
A27701	WHITE	416738!	A32308	CASE	340849	A4068813	BRWNG	481397	A45544S	TROS	2551
A27701	WHITE	450096	A32419	CASE	J1103	A4068821	BRWNG	471612	A45545S	TROS	2669
A27705	CASE	417344!	A32583	WHITE	473213!	A4068839	BRWNG	481859	A45549S	TROS	1174
A27838	CASE	415458!	A3262C-133	ROCKW	HU009A	A4080388	BRWNG	473458!	A45549S	TROS	38X52X8.5!
A279A	OLIVE	472705!	A3262D-264	ROCKW	HU149A	A4107	TMTR	471264	A45553S	TROS	224015
A28	LAVIN	471652	A3262G-215	ROCKW	HU024A	A4179	CASE	471504!	A45556S	TROS	1181
A28096	THEW	472636!	A3262M-169	ROCKW	HU013A	A41814	CASE	417499	A45556S	TROS	41X56X7!
A28138	CASE	415379	A3262N-222	ROCKW	HU036A	A43103	THEW	416476!	A45557S	TROS	1167
A28164	WHITE	415988	A3262Q-277	ROCKW	HU065A	A43125	THEW	416239!	A45558S	TROS	1183
A28187	CASE	418028	A3262Q-407	ROCKW	H075	A43146	THEW	417602!	A45563S	TROS	1188
A28187	CASE	455137!	A32803	CASE	J1125	A4330	BLUE	472193!	A45564	TROS	1960
A28192	WHITE	470530!	A32807	CASE	417499	A447	JAC	471137	A45565	TROS	1955
A282298	EATON	5M867	A331	VIC	16250	A45350	TROS	9015S	A45565	TROS	52X65X9!
A28238	CASE	473214	A332	VIC	16251	A45351	TROS	484058	A45570S	TROS	1195
A28317	CASE	471649!	A333	VIC	16252	A45352S	TROS	8597S	A45583S	TROS	1208
A28549	CASE	415458!	A334	VIC	16253	A45353S	TROS	473228	A45583S	TROS	48X72X7!
A287818	CASE	411245!	A334G	VIC	16254	A45357S	TROS	8429S	A45584S	TROS	1209
A28963	WHITE	474281!	A335	VIC	16255	A45358S	TROS	8549S	A45588	TROS	1213N
A29287EX	OLIVE	471766!	A336	VIC	16256	A45360S	TROS	472082	A45599	CASE	471765!
A293811	MASSE	415351!	A337	VIC	16257	A45363S	TROS	332062	A45605K	TROS	5405
A29424	CASE	473367!	A33734	CASE	471195!	A45364S	TROS	473445	A45612	TROS	5070
A29424	CASE	473367	A338	VIC	16258	A45365P	TROS	8460N	A45613K	TROS	5072
A296173	CHRYSS	417621!	A338542R91	IH	5302=	A45366S	TROS	8430S	A45645	TROS	5246
A29762	WHITE	471224!	A339	VIC	16259	A45369P	TROS	8460N	A45658K	TROS	5313
A2TZ7052A	FORD	410059	A340	VIC	16260	A45400	TROS	470712!	A45664K	TROS	5201
A2TZ7052A	FORD	470380!	A34009	TROS	HU009A	A45406S	TROS	473010!	A45701K	TROS	7512SSO
A30102	CASE	455134!	A341	VIC	16261	A45408S	TROS	1010=	A45703K	TROS	5403
A3018A	GAL	473228!	A342	VIC	16262	A45409S	TROS	471192	A45705K	TROS	5405
A3018A	HOUGH	473228!	A343	VIC	16263	A45410	TROS	1012	A45706K	TROS	5406
A3018A	OLIVE	473228!	A344	VIC	16264	A45410	TROS	1012N	A45708K	TROS	5408
A3019A	GAL	473228	A345	VIC	16265	A45411S	TROS	472492!	A45710K	TROS	5410
A3019A	HOUGH	473228	A346	VIC	16266	A45413	TROS	472164!	A45714K	TROS	5414
A3019A	OLIVE	473228	A34656	CASE	415150!	A45414	TROS	472258!	A45719K	TROS	5419
A3019B	OLIVE	473294	A347	VIC	16267	A45418S	TROS	1020	A45731K	TROS	5585
A30302	CASE	473426	A3517	CATER	473010!	A45420	TROS	471787!	A45752K	TROS	5452
A30323	CASE	472287!	A3517	TMTR	473010!	A45426	TROS	472299	A45753K	TROS	5453
A3035	GAL	471570!	A353	VIC	16216	A45428	TROS	471571	A45758K	TROS	5458
A3035	HOUGH	471570!	A35340	WHITE	473215!	A45431	TROS	330385!	A45760K	TROS	5460
A3035	OLIVE	471570!	A35372	WHITE	417316!	A45433	TROS	1035=	A45762K	TROS	5462
A30380	CASE	473466	A35414	WHITE	472234	A45435	TROS	1037	A45764K	TROS	370002A
A30501	CASE	472636!	A35585	THEW	55030	A45437	TROS	226020	A45765K	TROS	417506
A30527	CASE	471192	A356	VIC	16205	A45437	TROS	60X80X8!	A45767K	TROS	370019A
A30559	CASE	471766!	A356005R1	NAVST	421	A45438	TROS	1040=	A45768K	TROS	370005A
A30590	CASE	471529	A35650	WHITE	472164!	A45439S	TROS	1041	A45771K	TROS	370027A
A30600	CASE	471539!	A35652	WHITE	415025	A45443S	TROS	473238!	A45772K	TROS	5472=
A30606	CASE	471341!	A35848	WHITE	40566S	A45447S	TROS	1049	A45773K	TROS	5473
A30639	WHITE	412920!	A362X4	CASE	50199S!	A45458	TROS	224045	A45775K	TROS	417505
A30684	AMC	471255!	A362X4	CASE	6863S!	A45458	TROS	40X62X12!	A45775K	TROS	5475
A30721	DURA	473214!	A364X17	CASE	472354!	A45460	TROS	1062=	A45779K	TROS	5479
A3105	OLIVE	472157!	A364X3	BU-SP	330385!	A45463	TROS	470898	A45781K	TROS	370003A
A3105	OLIVE	472157	A36609	CASE	473467	A45466	TROS	2551	A45787K	TROS	5487
A3106	TMTR	323138!	A37147	CASE	412871!	A45468	TROS	1070=	A45788K	TROS	5589
A3107	AM CA	417316!	A37558	CASE	471281!	A45472	TROS	472164!	A45794K	TROS	5494
A31101	LEROI	450446	A37611	CASE	471192	A45475	TROS	1077=	A45795K	TROS	370006A
A3111	HOUGH	416271!	A37647	CASE	472350!	A45476	TROS	224040	A45798K	TROS	5499=
A3111	OLIVE	416271!	A380859	CHRYSS	416865!	A45476	TROS	40X60X10!	A45800K	TROS	370003A
A31139	LEROI	473225!	A380861	CHRYSS	415645!	A45489	TROS	1091=	A45801K	TROS	370006A
A31171	LEROI	450803	A380861	CHRYSS	455104	A45492	TROS	1094=	A45807K	TROS	417506
A31178	CASE	471554!	A38231	CASE	412871!	A45495	TROS	1097N	A45807K	TROS	5089
A31179	LEROI	471554!	A383	TMTR	473442!	A45496	TROS	471224!	A45807K	TROS	5563
A31205V-542	ROCKW	5473\$	A3868AB	CASE	473215!	A45508	TROS	1110	A45810K	TROS	5092
A31228	CASE	473215!	A39110	CASE	472015=	A45513	TROS	416664!	A45813K	TROS	5072
A313903R91	IH	415227=	A39273	CASE	471341!	A45518	TROS	471195!	A45816K	TROS	5573
A31396	LEROI	471554	A39441	CASE	471442!	A45521	HYST	473226	A45817K	TROS	5576
A32015	CASE	415137!	A39453	CASE	472354!	A45534	TROS	222510	A45818K	TROS	5095
A32015	CASE	418028	A39666	CASE	473010!	A45534	TROS	25X35X7!	A45819K	TROS	5578
A321009R91	IH	5581=	A3994	CASE	415458!	A45537	TROS	227040	A45822K	TROS	5585
A321148R91	IH	5592=	A405F-2	ROCKW	55337	A45537	TROS	70X90X10!	A45823K	TROS	5072
A321783R91	IH	417602=	A405F-4	ROCKW	455583N!	A45538	TROS	1163=	A45824	TROS	5587

ALPHABETICAL INTERCHANGE

! Industrial Size/Type \$F-M Number Is Part Of A Kit

= The U.S. customer service number is 877-4-TIMKEN. The Canadian customer service numbers are 800-565-4927 (English) and 800-565-0438 (French-Canadian).

Zero Duplication or Recommended Industrial		Zero Duplication or Recommended Industrial		Zero Duplication or Recommended Industrial		Zero Duplication or Recommended Industrial		
Mfr. No.	Name	Mfr. No.	Name	Mfr. No.	Name	Mfr. No.	Name	
A45825K	TROS	5589	A46281 TROS	470354	A46533 TROS	6703S	A46810S TROS	473234!
A45826K	TROS	5591	A46300 TROS	473214	A46533S TROS	6703S	A46811S TROS	410059
A45828K	TROS	5596 =	A46303 TROS	6966S	A46534 TROS	470712	A46811S TROS	470380!
A45829K	TROS	5095	A46304 TROS	410987 =	A46537 TROS	205004	A46815 TROS	9613S
A45905S	TROS	353135	A46307 TROS	6222	A46538S TROS	473179	A46815S TROS	9613S
A45905S	TROS	474278	A46310 TROS	471271!	A46547S TROS	412473!	A46816S TROS	473234
A45918 TROS		450666	A46317 TROS	6241S	A46548S TROS	6754S =	A46818S TROS	7044NA
A45922 TROS		5711	A46319 TROS	6245S =	A46549 TROS	416892	A46820S TROS	3103!
A45932 TROS		5727	A46325 TROS	370008A	A46550S TROS	6759S	A46821 TROS	472354!
A45937 TROS		472016	A46326S TROS	6283S	A46551S TROS	6760S	A46823 TROS	7107A =
A45948 TROS		5751	A46332 TROS	6312	A46553S TROS	311189	A46825 TROS	7131
A45950 TROS		5756	A46335 TROS	6324S =	A46557S TROS	417134	A46826S TROS	200110
A45952 TROS		5759 =	A46336 TROS	493291	A46558 TROS	6781	A46829S TROS	7154S
A45957 TROS		471141!	A46337 TROS	3210	A46560 TROS	6785	A46831S TROS	418028
A45961 TROS		5778	A46338S TROS	415284	A46562S TROS	370001A	A46832S TROS	7186S
A45974 TROS		473450!	A46341S TROS	6336S	A46563S TROS	471570!	A46833S TROS	7188S
A45976 TROS		471316	A46342 TROS	473435	A46601S TROS	471264!	A46834 TROS	5126
A45977 TROS		5797	A46344 TROS	450776!	A46602S TROS	481443!	A46835 TROS	7216
A45981 TROS		414045!	A46349S TROS	6357S	A46603 TROS	6808N	A46837S TROS	471344
A45987 TROS		450307	A46350 TROS	6358	A46606 TROS	6815	A46838S TROS	7235S
A45988 TROS		6064	A46353 TROS	473235	A46606S TROS	6815	A46840 TROS	7245
A45992 TROS		470898	A46356S TROS	6370N	A46607 TROS	6818	A46843 TROS	473235
A45998 TROS		472179	A46358 TROS	470774!	A46609S TROS	473229	A46844 TROS	7338N
A46002 TROS		473228	A46361 TROS	6380	A46610S TROS	6832S	A46844S TROS	7338N
A46004 TROS		5836	A46401S TROS	6402S =	A46611S TROS	417506	A46846S TROS	7354N
A46009 TROS		6064	A46405 TROS	471442!	A46612S TROS	470954	A46847 TROS	370003A
A46016 TROS		471224	A46405S TROS	471442!	A46613 TROS	6840S	A46848 TROS	370006A
A46020 TROS		5865	A46409 TROS	483054N	A46615 TROS	7600S	A46849S TROS	415302
A46025 TROS		5871	A46413 TROS	472354!	A46619S TROS	6846S =	A46850S TROS	7381S
A46026S TROS		472258	A46414 TROS	417267	A46620S TROS	6847S	A46853S TROS	321460
A46029 TROS		455280	A46415 TROS	473228	A46626S TROS	6855N =	A46855S TROS	9376
A46031 TROS		5877	A46421S TROS	417349!	A46627S TROS	410496!	A46856S TROS	474260
A46049 TROS		473228	A46429 TROS	370002A	A46628S TROS	471267!	A46857S TROS	7399S!
A46052 TROS		200354	A46434 TROS	6465	A46629S TROS	417210!	A46858S TROS	7412S
A46052S TROS		200354	A46437 TROS	6465	A46630S TROS	6863S!	A46861S TROS	370015A
A46054 TROS		5921	A46441 TROS	417223	A46631 TROS	417505	A46862R TROS	7442H
A46055 TROS		455151	A46447S TROS	455566	A46633S TROS	370005A	A46863S TROS	370019A
A46057 TROS		5924	A46450 TROS	471829	A46634S TROS	370027A	A46864S TROS	370021A
A46070 TROS		5951	A46453 TROS	6356	A46635S TROS	417254	A46865S TROS	370005A
A46071S TROS		5957S	A46454 TROS	472015!	A46636S TROS	473234!	A46866S TROS	7456N
A46073 TROS		370036A	A46458 TROS	6513	A46637S TROS	471827	A46867 TROS	7457N
A46073 TROS		370349A	A46460 TROS	410708	A46638S TROS	473367!	A46867S TROS	7457N
A46073 TROS		380036A	A46461 TROS	6522S	A46638S TROS	473367	A46868S TROS	473237
A46074 TROS		5965	A46466 TROS	6532S =	A46639R TROS	470898!	A46869 TROS	7994S
A46076 TROS		203034	A46468 TROS	480630	A46640S TROS	473235!	A46870S TROS	473214!
A46077 TROS		5971	A46469 TROS	6547	A46646 TROS	6886S	A46872S TROS	342805
A46079 TROS		5976S	A46474S TROS	415449!	A46647S TROS	415449!	A46875S TROS	3095
A46079S TROS		7840S	A46475 TROS	455134	A46648 TROS	6897 =	A46876R TROS	415449
A46081 TROS		471526!	A46477 TROS	416888!	A46650S TROS	6906S	A46877 TROS	7607
A46088 TROS		470625!	A46478 TROS	6575S	A46657 TROS	6930	A46878S TROS	9150S
A46214 TROS		415437	A46481 TROS	418028	A46658 TROS	9568	A46879S TROS	7700S!
A46222 TROS		415899N	A46483S TROS	6590S	A46659S TROS	471141	A46882 TROS	5113
A46222 TROS		416624	A46485S TROS	6592S =	A46661S TROS	7686S	A46882 TROS	7721!
A46234 TROS		6064	A46488S TROS	6597S	A46662S TROS	6952S =	A46883S TROS	471652
A46235 TROS		413478	A46501S TROS	6612S	A46663 TROS	44052	A46884R TROS	7751H
A46238 TROS		6074	A46509S TROS	370030A	A46664 TROS	6954S	A46886S TROS	473231!
A46240 TROS		6077	A46510S TROS	6636S	A46664S TROS	6954S	A46890S TROS	6241S
A46242 TROS		412871!	A46514 TROS	471267!	A46665 TROS	44053	A46891 TROS	7780
A46243 TROS		473473	A46515S TROS	6643S	A46666 TROS	6960	A46892S TROS	471750!
A46244 TROS		353141!	A46516 TROS	6644	A46668S TROS	3103!	A46893S TROS	350936
A46247 TROS		6090S	A46517S TROS	9613S	A46670 TROS	6966S	A46894P TROS	471193
A46248 TROS		471442!	A46518S TROS	470954!	A46671 TROS	203008	A46895S TROS	473228!
A46250 TROS		6098 =	A46519 TROS	6649	A46672 TROS	6985	A46896 TROS	472164
A46251 TROS		6101	A46521S TROS	473234!	A46673R TROS	473459	A46897S TROS	7840S
A46254 TROS		7107A =	A46524 TROS	6663S	A46675S TROS	474278	A46899S TROS	370007A
A46257 TROS		473463	A46525S TROS	6668S	A46675S TROS	6859S	A46900S TROS	7886S
A46258 TROS		410708	A46528 TROS	471413!	A46800S TROS	370006A	A46901S TROS	471821!
A46260 TROS		470954	A46530S TROS	470605!	A46801S TROS	7013S	A46902S TROS	7929S
A46261 TROS		6127	A46531 TROS	417355!	A46802S TROS	7014S	A46903 TROS	7934S
A46272 TROS		472924	A46531 TROS	485497	A46803R TROS	7018N =	A46904S TROS	473473
A46273 TROS		452222!	A46531S TROS	417355!	A46806S TROS	473317	A46905S TROS	353135
A46277 TROS		6180 =	A46531S TROS	485497	A46808 TROS	370004A	A46905S TROS	474278

! Industrial Size/Type

= The U.S. customer service number is 877-4-TIMKEN. The Canadian customer service numbers are 800-565-4927 (English) and 800-565-0438 (French-Canadian).

OIL SEALS

A46906S – A53104S

Mfr. No.	Name	Zero Duplication or Recommended Industrial	Mfr. No.	Name	Zero Duplication or Recommended Industrial	Mfr. No.	Name	Zero Duplication or Recommended Industrial	Mfr. No.	Name	Zero Duplication or Recommended Industrial
A46906S	TROS	7896S	A49010	TROS	476470	A51039	TROS	415991!	A52072	TROS	417181!
A46908S	TROS	7399S!	A49011	TROS	415023	A51041	TROS	417191	A52073	TROS	412473!
A47002S	TROS	8059S	A49014	TROS	415036	A511	VIC	16305	A52076	TROS	416706
A47004	TROS	8610	A49015	TROS	416891!	A512	VIC	16307	A52078	TROS	416706
A47005	TROS	8121S	A49017S	TROS	416271!	A51748	FAIRB	471787!	A52079	TROS	417484!
A47005S	TROS	8121S	A49018	TROS	415449!	A51749	GMC	410102	A52081S	TROS	417159
A47006S	TROS	8133S	A49019	TROS	417343!	A51765	FAIRB	473205	A52082S	TROS	475348N
A47007	TROS	8139	A49021	TROS	417351!	A51948	CASE	473490	A52086	TROS	410825
A47009	TROS	8168=	A49023S	TROS	415379	A51977	TROS	473238!	A52087	TROS	415437
A47010	TROS	472070	A49024	TROS	417205!	A51994	GMC	415021	A52091	TROS	416394
A47011	TROS	8243	A49026S	TROS	415192N	A52000	TROS	471466!	A52094	TROS	8996S=
A47012	TROS	8724S	A49027	TROS	416556!	A52001	TROS	471554!	A52236	TROS	417488!
A47013S	TROS	8293S	A49027	TROS	472157	A52002	TROS	473215!	A5257	CATER	5751
A47015S	TROS	8370S	A49029S	TROS	416154!	A52003	TROS	470380!	A5257	TMTR	5751
A47016S	TROS	8421S	A49030	TROS	417247!	A52005	TROS	473367	A5287	TW-DI	415027
A48002	TROS	471526!	A49030S	TROS	417247!	A52006	TROS	473228!	A5287	TW-DI	415027!
A48004	TROS	471750!	A49032S	TROS	416706!	A52007	TROS	473228!	A53002	TROS	471472=
A48005	TROS	473215!	A49033S	TROS	417349!	A52008	TROS	472185!	A53003	TROS	471264
A48006	TROS	410059	A49034	TROS	415991	A52009	TROS	471466!	A53008	TROS	471554
A48006	TROS	470380!	A49034S	TROS	415991	A52010	TROS	472924!	A53011	TROS	473213!
A48006S	TROS	410059	A49035S	TROS	415379	A52012	TROS	470530!	A53012	TROS	43089S
A48006S	TROS	470380!	A49036	TROS	417492	A52014	TROS	411253!	A53013	TROS	40059S
A48008	TROS	474264	A49039	TROS	415656	A52015	TROS	412119	A53015	TROS	7886S
A48011	TROS	473228!	A49040S	TROS	418028	A52016	TROS	471192	A53016	TROS	471821!
A48012	TROS	472185!	A49042S	TROS	415899N	A52019S	TROS	471766!	A53019	TROS	472185!
A48013S	TROS	472439	A49042S	TROS	416624	A52022S	TROS	472179	A53020	TROS	40071S
A48014	TROS	472924!	A50065	CASE	471821=	A52023	TROS	473179!	A53022	TROS	40085S
A48016	TROS	470530!	A50085	CASE	470898	A52024	TROS	472394	A53023	TROS	40094S
A48018	TROS	473464	A50097	CASE	415995!	A52025	TROS	472397!	A53024	TROS	40097S
A48020	TROS	412119!	A5013	DANMA	417487	A52027	TROS	410308	A53025	TROS	40101S
A48022	TROS	473467!	A50252	CASE	476535N=	A52029S	TROS	472636!	A53028	TROS	42421S
A48023	TROS	471224!	A50257	TROS	5462	A52030	TROS	472164!	A53029	TROS	240119
A48024S	TROS	472409!	A50420	CASE	476535	A52031	TROS	473448	A53030	TROS	471224
A48025	TROS	472826!	A50422	CASE	417344!	A52032	TROS	470898	A53032	TROS	471413
A48026	TROS	412920!	A50423	CASE	471689!	A52034	TROS	472492!	A53032S	TROS	471413
A48027	TROS	471192	A50424	CASE	470898	A52035	TROS	473227!	A53033	TROS	470954
A48028S	TROS	470625!	A50425	CASE	473228=	A52037	TROS	471271!	A53040	TROS	471760
A48029	TROS	470954!	A505	VIC	16300	A52039S	TROS	470565!	A53041	TROS	471763
A48031	TROS	472287!	A50594	TROS	472258	A52040	TROS	450666	A53045	TROS	40169S
A48035	TROS	471763	A506	VIC	16301	A52042	TROS	415001!	A53046	TROS	40183S!
A48036	TROS	471765!	A50626	FAIRB	471567!	A52043	TROS	415458!	A53047	TROS	471571
A48037S	TROS	471766!	A507	VIC	16302	A52044	TROS	417316!	A53048	TROS	40185
A48038	TROS	471801!	A508	VIC	16303	A52044S	TROS	417316!	A53055	TROS	40208
A48039S	TROS	473016!	A509	VIC	16306	A52046	TROS	415960	A53058	TROS	471647
A48042	TROS	472179	A50981	FAIRB	471766!	A52047	TROS	416921!	A53061	TROS	471689
A48045	TROS	471649!	A50981A	FAIRB	471766!	A52048S	TROS	416654	A53063	TROS	471787
A48047	TROS	470712!	A510	VIC	16304	A52049S	TROS	415995!	A53064	TROS	40286
A48049	TROS	473466	A51000	TROS	471264!	A52049S	TROS	415995!	A53066	TROS	40301S
A48051	TROS	473235!	A51002	TROS	473215!	A52050S	TROS	416288	A53067	TROS	40316S
A48055S	TROS	410308!	A51003	TROS	470380!	A52052S	TROS	476470	A53068	TROS	240319
A48056	TROS	471391!	A51004	TROS	473228!	A52052S	TROS	476470!	A53070	TROS	40328
A48057	TROS	473245!	A51007S	TROS	470334!	A52054	TROS	415035	A53072	TROS	40337S
A48058	TROS	472636!	A51010	TROS	470530!	A52055	TROS	415371	A53076	TROS	40410S
A48059	TROS	412040	A51012	TROS	471192	A52057	TROS	416865!	A53077	TROS	40369S
A48061	TROS	472164!	A51013	TROS	470954!	A52057S	TROS	416865!	A53078	TROS	40370S
A48067S	TROS	410496!	A51014	TROS	473460	A52058	TROS	416476!	A53081	TROS	474276
A48069	TROS	471689!	A51015	TROS	471760	A52059	TROS	416239!	A53084	TROS	40389S
A48072S	TROS	471442!	A51016	TROS	471763	A52061S	TROS	416271!	A53085	TROS	472354!
A48074S	TROS	471827!	A51017	TROS	471765!	A52062	TROS	416282	A53086	TROS	417267
A48076S	TROS	410708	A51019	TROS	472397!	A52062S	TROS	416282	A53087	TROS	42352S
A48077S	TROS	471984	A51021	TROS	472258!	A52063S	TROS	417563	A53088S	TROS	40401
A48078	TROS	471829	A51023	TROS	471267!	A52064	TROS	417602!	A53089	TROS	42763
A48081S	TROS	471344	A51026	TROS	417316!	A52066	TROS	415137!	A53091	TROS	40410S
A48085S	TROS	476470!	A51027	TROS	416921!	A52066	TROS	418028	A53092	TROS	351487
A48085S	TROS	476470	A51028	HENRY	42352S	A52066S	TROS	415137!	A53093S	TROS	40433S
A49001	TROS	415458!	A51031	TROS	415072	A52066S	TROS	418028	A53095	TROS	40438S
A49002	TROS	417316!	A51032	HENRY	40401	A52067S	TROS	415146!	A53097	TROS	40468
A49003	TROS	417344!	A51033	TROS	416229	A52067S	TROS	415991	A53098	TROS	40494S
A49004	TROS	415960	A51035S	TROS	415449!	A52068	TROS	415449!	A53100	TROS	442380
A49004S	TROS	415960!	A51036	TROS	417621!	A52069	TROS	417343!	A53101	TROS	40520S
A49006	TROS	415995!	A51037	TROS	417181!	A52070	TROS	5578	A53103	TROS	40526S
A49006S	TROS	415995!	A51039	TROS	415991	A52071	TROS	417171!	A53104S	TROS	40555

ALPHABETICAL INTERCHANGE

! Industrial Size/Type

= The U.S. customer service number is 877-4-TIMKEN. The Canadian customer service numbers are 800-565-4927 (English) and 800-565-0438 (French-Canadian).

Zero Duplication or Recommended Industrial		Zero Duplication or Recommended Industrial		Zero Duplication or Recommended Industrial		Zero Duplication or Recommended Industrial		
Mfr. No.	Name	Mfr. No.	Name	Mfr. No.	Name	Mfr. No.	Name	
A53104S	TROS	40555S!	A54050 TROS	473426	A54116 TROS	473471	A54200 TROS	450188
A53105	TROS	471821!	A54051 TROS	450048	A54118 TROS	473441	A54201 TROS	471692!
A53106	TROS	40566S	A54052 TROS	471750!	A54120 TROS	450111	A54201S TROS	471692!
A53107	TROS	40568S	A54053 TROS	470050	A54123 TROS	473467	A54202 TROS	410190
A53108	TROS	40576S	A54054 TROS	473427	A54125 TROS	473450	A54203 TROS	50191
A53112	TROS	40627S=	A54055 TROS	471354!	A54126 TROS	472572!	A54204 TROS	473473
A53113	TROS	481537	A54055S TROS	471354!	A54126S TROS	472572!	A54206 TROS	473010!
A53116	TROS	471737=	A54056 TROS	473213!	A54127 TROS	473449	A54206S TROS	473010!
A53119	TROS	40769S	A54057 TROS	450054	A54128 TROS	471442!	A54209 TROS	471103!
A53121S	TROS	6815	A54058 TROS	473215!	A54128S TROS	471442!	A54209S TROS	471103!
A53122	TROS	340787	A54058S TROS	473215!	A54130 TROS	471224!	A54212 TROS	50199S!
A53126	TROS	40973S	A54060 TROS	473225!	A54132 TROS	472409!	A54212 TROS	6863S!
A53128	TROS	41013S	A54061 TROS	473438	A54132S TROS	472409!	A54212S TROS	50199S!
A53131	TROS	41075S	A54062 TROS	470059	A54133 TROS	473437	A54212S TROS	6863S!
A53136P	TROS	416071	A54062 TROS	470380!	A54134 TROS	450124=	A54214 TROS	320457
A53138	TROS	46997S	A54062S TROS	470059	A54135 TROS	50126	A54216 TROS	472705!
A53139	TROS	43086S	A54062S TROS	470380!	A54136 TROS	471735	A54216S TROS	472705!
A53140S	TROS	45013S	A54066 TROS	470950!	A54138S TROS	450129	A54217 TROS	481443!
A53145	TROS	45187S	A54066 TROS	6241S	A54138S TROS	472826!	A54217S TROS	481443!
A53147	TROS	45031S	A54067 TROS	474264	A54139 TROS	412920!	A54218 TROS	471231!
A53150	TROS	45653S	A54068 TROS	471820	A54141 TROS	450133	A54218S TROS	471231!
A53151	TROS	45825S	A54069 TROS	471821!	A54142 TROS	471192	A54219 TROS	471579
A53152	TROS	45827S	A54070 TROS	473232!	A54142S TROS	471192	A54222 TROS	451583!
A53153S	TROS	472179	A54071 TROS	473367!	A54143 TROS	470625!	A54222S TROS	451583!
A53155S	TROS	40494S	A54071 TROS	473367	A54143S TROS	470625!	A54223 TROS	50209
A53156S	TROS	473445	A54071S TROS	473367!	A54144 TROS	471529	A54224 TROS	480210!
A53159	TROS	45525S	A54071S TROS	473367	A54145 TROS	473459	A54227 TROS	471645
A54002	TROS	474277	A54072 TROS	473228	A54145S TROS	473459	A54228 TROS	473414
A54003	TROS	470004!	A54072S TROS	473228	A54146 TROS	472234	A54229 TROS	471646!
A54005S	TROS	471530	A54073 TROS	450068	A54150 TROS	450143	A54229S TROS	471646!
A54006	TROS	471281!	A54074 TROS	473232	A54151 TROS	473226	A54231S TROS	471647
A54007	TROS	471532	A54075 TROS	472185!	A54152 TROS	473460	A54232 TROS	471648
A54007S	TROS	471532	A54075S TROS	472185!	A54154 TROS	450147	A54233 TROS	471649!
A54008	TROS	471466!	A54077 TROS	472439	A54155 TROS	473463	A54233S TROS	471649!
A54008S	TROS	471466!	A54078 TROS	481864	A54156 TROS	40769S	A54234 TROS	481650
A54010	TROS	50010	A54078S TROS	481864	A54157 TROS	471750!	A54235 TROS	471651
A54013	TROS	471472!	A54079S TROS	450073	A54159 TROS	472560N!	A54236 TROS	471684!
A54013S	TROS	471472!	A54080 TROS	474265	A54159S TROS	472560N!	A54236S TROS	471684!
A54015S	TROS	471535!	A54081 TROS	50075=	A54160 TROS	473205	A54238 TROS	471686
A54016	TROS	473405	A54082 TROS	470334!	A54162 TROS	472287!	A54240 TROS	470590
A54016S	TROS	473405	A54083 TROS	474281!	A54163 TROS	473234	A54242 TROS	472951
A54018	TROS	471549!	A54084 TROS	473444	A54164 TROS	473447	A54242 TROS	474252
A54020S	TROS	471551!	A54085 TROS	450079=	A54165 TROS	350156	A54243 TROS	471688
A54021	TROS	471558	A54086 TROS	473446	A54165 TROS	473096	A54244 TROS	471689!
A54022	TROS	471255!	A54087 TROS	50081	A54166 TROS	471760	A54244S TROS	471689!
A54022S	TROS	471255!	A54088 TROS	473238	A54166S TROS	471760	A54248 TROS	471705!
A54023	TROS	471255!	A54089 TROS	472924!	A54167 TROS	471762!	A54249 TROS	471733
A54024	TROS	471553!	A54091 TROS	450084!	A54168 TROS	450159	A54253 TROS	470712!
A54025	TROS	50026	A54091S TROS	450084!	A54169 TROS	471763	A54253S TROS	470712!
A54027	TROS	471567!	A54092 TROS	450084!	A54170 TROS	471764!	A54254 TROS	471744!
A54027S	TROS	471567!	A54093 TROS	470530!	A54171 TROS	471765!	A54255 TROS	450342
A54029	TROS	481568!	A54094 TROS	470086	A54173 TROS	471766!	A54257 TROS	471785!
A54029S	TROS	481568!	A54095 TROS	473313	A54173S TROS	471766!	A54257S TROS	471785!
A54030	TROS	474253	A54096 TROS	470088	A54175 TROS	473424!	A54260 TROS	471787!
A54031	TROS	473414	A54096S TROS	470088	A54176 TROS	450165	A54261 TROS	471795
A54032	TROS	471570!	A54097 TROS	450089	A54176 TROS	471801!	A54264 TROS	473211!
A54032S	TROS	471570!	A54098 TROS	450090	A54178 TROS	473212!	A54265S TROS	473436
A54033	TROS	450033	A54100 TROS	473458!	A54179 TROS	50168	A54268 TROS	50254=
A54034	TROS	474273	A54102 TROS	473462	A54180 TROS	473214	A54269S TROS	473439!
A54035	TROS	473412	A54103 TROS	473464!	A54182 TROS	473016!	A54272 TROS	482253
A54037	TROS	473415	A54103 TROS	473464!	A54182S TROS	473016!	A54273 TROS	450260
A54038	TROS	471137	A54104 TROS	416738!	A54184 TROS	450173	A54274S TROS	473466
A54039	TROS	450038	A54104 TROS	450096	A54186 TROS	450177	A54275 TROS	470682
A54040	TROS	450039	A54105 TROS	413469!	A54188 TROS	450177	A54275S TROS	470682
A54041	TROS	450040	A54106 TROS	412943	A54190 TROS	473421	A54276 TROS	451469
A54041S	TROS	450040	A54107 TROS	411253!	A54192 TROS	471747!	A54278 TROS	473235!
A54043	TROS	450593!	A54108 TROS	410694!	A54193 TROS	472179	A54279 TROS	50266
A54043S	TROS	450593!	A54109 TROS	412119!	A54193S TROS	472179	A54280 TROS	472070
A54045	TROS	473419	A54111 TROS	410102	A54195 TROS	471571	A54281 TROS	473451!
A54046	TROS	450044	A54112 TROS	410686N	A54196 TROS	473229	A54282 TROS	450269
A54047	TROS	476838!	A54113 TROS	450104	A54197 TROS	473236!	A54283 TROS	471866!
A54049	TROS	473428	A54114 TROS	414045!	A54198 TROS	471619!	A54285 TROS	471868

! Industrial Size/Type

= The U.S. customer service number is 877-4-TIMKEN. The Canadian customer service numbers are 800-565-4927 (English) and 800-565-0438 (French-Canadian).

Mfr. No.	Name	Zero Duplication or Recommended Industrial	Mfr. No.	Name	Zero Duplication or Recommended Industrial	Mfr. No.	Name	Zero Duplication or Recommended Industrial	Mfr. No.	Name	Zero Duplication or Recommended Industrial
A54286	TROS	450273	A54364	TROS	471870!	A54452	TROS	411330!	A54531	TROS	450621
A54287	TROS	450274	A54365	TROS	472193!	A54455	TROS	470487!	A54532	TROS	470625!
A54288	TROS	450275	A54366	TROS	450362	A54457	TROS	473244	A54533S	TROS	413248
A54291	TROS	450279	A54368	TROS	350364	A54458	TROS	50490=	A54534	TROS	473420
A54292	TROS	471866!	A54369	TROS	470898	A54459	TROS	480491	A54536	TROS	50631
A54293	TROS	473179!	A54374	TROS	451948	A54460	TROS	450492	A54537	TROS	471276
A54295	TROS	473179!	A54375	TROS	411500	A54462	TROS	472164!	A54538S	TROS	472475
A54297	TROS	450285	A54376	TROS	6936S	A54463	TROS	410496!	A54540	TROS	450639
A54298	TROS	474274	A54378	TROS	471652	A54464	TROS	450497=	A54542	TROS	470645
A54301	TROS	470334!	A54379	TROS	474276!	A54465	TROS	50501	A54543	TROS	481073
A54301	TROS	50289	A54380	TROS	330385!	A54467	TROS	50501	A54544	TROS	471766!
A54302	TROS	471141!	A54382	TROS	472492!	A54468	TROS	474260	A54545	TROS	450655=
A54302S	TROS	471141!	A54384	TROS	473407	A54470	TROS	450503=	A54546	TROS	470954!
A54304	TROS	473453	A54385	TROS	473227	A54471	TROS	472843	A54547S	TROS	471570!
A54306	TROS	472144!	A54385S	TROS	473227	A54471S	TROS	472843	A54548S	TROS	472020
A54309	TROS	473239	A54386	TROS	472354!	A54473	TROS	470506!	A54549	TROS	471737
A54311	TROS	472394	A54388	TROS	450398	A54478	TROS	50514	A54550	TROS	410737!
A54311S	TROS	472394	A54388	TROS	471267!	A54479	TROS	470515	A54552	TROS	474279N
A54312	TROS	472397!	A54389	TROS	450400	A54480	TROS	450516	A54553S	TROS	472018
A54312S	TROS	472397!	A54390	TROS	352541	A54481	TROS	471271!	A54554	TROS	471984
A54313	TROS	472012	A54391	TROS	50402	A54483	TROS	471272!	A54555	TROS	473240!
A54313S	TROS	472012	A54392	TROS	470774!	A54483S	TROS	471272!	A54557	TROS	410737!
A54314	TROS	472015!	A54392S	TROS	470774!	A54484	TROS	473423	A54558	TROS	471862
A54314S	TROS	472015!	A54394	TROS	50405	A54484S	TROS	473423	A54559	TROS	471316
A54315	TROS	473457!	A54396	TROS	470409!	A54485	TROS	472258!	A54561	TROS	470764!
A54317	TROS	473461!	A54396	TROS	50409	A54485S	TROS	472258!	A54561	TROS	50764
A54318	TROS	450307	A54397	TROS	471424!	A54486	TROS	450523	A54562	TROS	450776!
A54319	TROS	410308!	A54399	TROS	450412	A54487S	TROS	410524	A54563A	FRUEH	370036A
A54319S	TROS	410308!	A54400	TROS	353132	A54488	TROS	471887	A54563A	FRUEH	370349A
A54320	TROS	471391!	A54401	TROS	472311!	A54489	TROS	474276!	A54564	TROS	471633!
A54321	TROS	473242	A54402	TROS	450415	A54489S	TROS	474276!	A54565	TROS	471195!
A54322	TROS	450311	A54403	TROS	473442!	A54490	TROS	50528	A54566S	TROS	471466!
A54323	TROS	472016	A54404	TROS	50419	A54491	TROS	450984	A54567	TROS	50798
A54324	TROS	450313	A54406	TROS	450765!	A54492	TROS	470530!	A54568	TROS	480889
A54325	TROS	473243	A54408	TROS	471730	A54493	TROS	450532	A54569	TROS	450803
A54325S	TROS	473243	A54410	TROS	450430	A54494	TROS	450533	A54570S	TROS	470806
A54326	TROS	473245!	A54411S	TROS	471539!	A54496	TROS	450535	A54572	TROS	450808
A54327	TROS	472636!	A54412	TROS	471138!	A54496	TROS	471264!	A54576S	TROS	473380
A54328	TROS	411394!	A54414	TROS	350435	A54497	TROS	450536	A54577	TROS	450819
A54330	TROS	481163!	A54417	TROS	471341!	A54497	TROS	471535!	A54578S	TROS	473454
A54331	TROS	473475	A54417S	TROS	471341!	A54499S	TROS	414268!	A54580S	TROS	470898
A54332	TROS	412040	A54419	TROS	471835!	A54500	TROS	450540	A54581	TROS	473203
A54332S	TROS	412040	A54419S	TROS	471835!	A54501	TROS	471689!	A54582	TROS	450869
A54333	TROS	472029	A54420	TROS	50445	A54502	TROS	474272	A54584	TROS	50883=
A54334	TROS	413478	A54421	TROS	450446	A54503	TROS	450545	A54588	TROS	413479
A54336	TROS	450326	A54423	TROS	471270!	A54504	TROS	470625!	A54589S	TROS	450908=
A54337	TROS	50327	A54423S	TROS	471270!	A54505	TROS	472150	A54590S	TROS	450911N!
A54338	TROS	470328	A54424	TROS	480630!	A54506	TROS	470565!	A54591	TROS	473237!
A54338	TROS	481213!	A54425	TROS	473197	A54506S	TROS	470565!	A54594S	TROS	471736
A54339	TROS	412871!	A54426	TROS	473224!	A54507	TROS	450533	A54599S	TROS	471564
A54340	TROS	470605!	A54428	TROS	472319	A54507	TROS	471224!	A54602	TROS	410987!
A54342	TROS	450332	A54429	TROS	450456!	A54507S	TROS	450533	A54603	TROS	473474
A54343	TROS	470334!	A54430S	TROS	450457	A54507S	TROS	471224!	A54604S	TROS	480630!
A54344	TROS	450335	A54432	TROS	473440!	A54509	TROS	471808!	A54605	TROS	474256
A54345	TROS	474255	A54433	TROS	50462	A54510	TROS	50560	A54608	TROS	472185!
A54346	TROS	450339	A54434	TROS	450463	A54511	TROS	471267!	A54611	TROS	471653!
A54347	TROS	450340	A54438	TROS	450467	A54511S	TROS	471267!	A54614S	TROS	51032S
A54348	TROS	450341	A54439	TROS	50468	A54513	TROS	472258!	A54615	TROS	51039
A54349	TROS	450343	A54440	TROS	481537	A54514	TROS	412027	A54616	TROS	481792
A54350	TROS	473425	A54441	TROS	472810!	A54515	TROS	413246	A54617S	TROS	471571
A54351	TROS	50345=	A54441S	TROS	472810!	A54516	TROS	471498	A54618S	TROS	481073
A54352	TROS	474254	A54442	TROS	450472!	A54518	TROS	450588	A54620P	TROS	451078!
A54354	TROS	413247!	A54443	TROS	450474	A54519S	TROS	471729	A54621	TROS	471413!
A54355	TROS	471504!	A54444	TROS	471344	A54520	TROS	474253	A54622S	TROS	472213
A54355S	TROS	471504!	A54444S	TROS	471344	A54521	TROS	450593!	A54624	TROS	473228
A54356	TROS	472164!	A54446	TROS	50478	A54523	TROS	470596	A54625	TROS	471652
A54358	TROS	470354	A54447	TROS	473445	A54523S	TROS	470596	A54625S	TROS	471652
A54359	TROS	471538!	A54448	TROS	323138!	A54525	TROS	450604	A54626	TROS	410825
A54360	TROS	474278	A54448S	TROS	323138!	A54525S	TROS	450604	A54628	TROS	47107N
A54362	TROS	473231	A54449	TROS	471818	A54526	TROS	470606!	A54629	TROS	451082
A54362S	TROS	473231	A54450	TROS	450482	A54528	TROS	470390	A54630	TROS	451182
A54363	TROS	473448	A54450S	TROS	450482	A54529S	TROS	471224!	A54631	TROS	480210!

ALPHABETICAL INTERCHANGE

! Industrial Size/Type

= The U.S. customer service number is 877-4-TIMKEN. The Canadian customer service numbers are 800-565-4927 (English) and 800-565-0438 (French-Canadian).

Mfr. No.	Name	Zero Duplication or Recommended Industrial	Mfr. No.	Name	Zero Duplication or Recommended Industrial	Mfr. No.	Name	Zero Duplication or Recommended Industrial	Mfr. No.	Name	Zero Duplication or Recommended Industrial
A54635	TROS	51322	A56055	TROS	416892	A56121	TROS	455406!	A56182	TROS	455191
A54636	TROS	411348!	A56056	TROS	417533	A56122	TROS	455121	A56183	TROS	417357
A54637	TROS	484054	A56057	TROS	415371	A56123	TROS	417602!	A56184	TROS	455192!
A54638	TROS	451583!	A56059	TROS	415138!	A56124	TROS	455123	A56185	TROS	55193=
A54639S	TROS	471649!	A56060	TROS	417223	A56125	TROS	415124	A56186	TROS	455194
A55077	AMC	470059	A56063	TROS	455056	A56126	TROS	417022	A56187	TROS	472157!
A55077	AMC	470380!	A56064	TROS	417516	A56127	TROS	417604	A56188	TROS	472157
A55432	CASE	415449!	A56065	TROS	415058	A56128	TROS	417567	A56186S	TROS	472157
A55446	CASE	472185!	A56066	TROS	417238	A56129S	TROS	415128	A56186S	TROS	472157!
A55599	US-EL	450068	A56067	TROS	370019A	A56130S	TROS	455129	A56187	TROS	415196!
A55663	CASE	473234!	A56068	TROS	415351!	A56131	TROS	417474	A56187S	TROS	415196!
A55755	CASE	470774!	A56069	TROS	370021A	A56132	TROS	455134!	A56188	TROS	455197N
A55817	CASE	470565=	A56070	TROS	457585	A56133	TROS	455136	A56189	TROS	415196!
A55832	CASE	471870!	A56071	TROS	370021A	A56134	TROS	418028	A56190	TROS	416888!
A55855	CASE	471224!	A56072	TROS	417536	A56134S	TROS	418028	A56191	TROS	417509
A56003	TROS	417073	A56073	TROS	415066	A56135	TROS	417554!	A56192	TROS	455203
A56004	TROS	415001!	A56074	TROS	456890	A56136	TROS	55141	A56193	TROS	417515
A56005	TROS	415988	A56075	TROS	417269!	A56137	TROS	415142	A56194	TROS	416137
A56006	TROS	415458!	A56076	TROS	417273	A56138	TROS	455144	A56195	TROS	416144
A56006P	TROS	415458!	A56077	TROS	416865	A56139	TROS	417172	A56196	TROS	416149
A56008	TROS	417316!	A56077S	TROS	416865!	A56140	TROS	415991	A56197	TROS	417526
A56009	TROS	455005	A56078	TROS	417546!	A56140	TROS	455146!	A56198	TROS	416154!
A56010	TROS	417344!	A56078S	TROS	417546!	A56140S	TROS	415991	A56198S	TROS	416154!
A56010S	TROS	417344!	A56079	TROS	415072	A56140S	TROS	455146!	A56199	TROS	417534
A56011	TROS	415007	A56079S	TROS	415072	A56141	TROS	415449!	A56200	TROS	416158
A56013	TROS	455008	A56080	TROS	416107!	A56141S	TROS	415449!	A56201	TROS	417535
A56014	TROS	415960	A56080	TROS	455073	A56142	TROS	417366!	A56202	TROS	417247!
A56015	TROS	417485	A56080S	TROS	416107!	A56143	TROS	417343!	A56203	TROS	416163
A56016	TROS	416921!	A56080S	TROS	455073	A56144	TROS	415150!	A56204	TROS	417539!
A56017	TROS	416654!	A56081	TROS	415074	A56145	TROS	455151	A56205	TROS	417267
A56018	TROS	415995!	A56082	TROS	416476!	A56146	TROS	417134	A56206	TROS	55218=
A56018S	TROS	415995!	A56083	TROS	415076	A56147	TROS	417486	A56207	TROS	415219
A56020	TROS	417487	A56084	TROS	415077	A56148	TROS	417351!	A56207S	TROS	415219
A56021	TROS	455015	A56085	TROS	455079!	A56149	TROS	55155=	A56208	TROS	415871
A56022	TROS	416288	A56086S	TROS	455079!	A56150	TROS	417621!	A56209	TROS	417606
A56022S	TROS	416288!	A56087	TROS	455080	A56150S	TROS	417621!	A56210	TROS	55222=
A56023	TROS	456105	A56088	TROS	415082	A56151	TROS	416292	A56211	TROS	55223=
A56024	TROS	476470	A56090	TROS	416239!	A56152S	TROS	417488!	A56212	TROS	55224=
A56025	TROS	455019!	A56091	TROS	415085!	A56153	TROS	417171!	A56213	TROS	417020
A56026	TROS	455020	A56091	TROS	456648	A56154	TROS	417490	A56214	TROS	417570
A56027	TROS	415021	A56092	TROS	417487	A56155	TROS	417181!	A56215	TROS	415227!
A56028	TROS	370012A	A56093	TROS	55087=	A56156S	TROS	417491	A56216	TROS	55228=
A56029	TROS	415023	A56094S	TROS	415088	A56157	TROS	412473!	A56217	TROS	415482
A56030	TROS	455024	A56094S	TROS	415088!	A56158	TROS	417191	A56219S	TROS	416153!
A56031	TROS	415025	A56095	TROS	415090	A56158	TROS	455165!	A56220	TROS	417538
A56032	TROS	455026	A56096	TROS	416167!	A56159	TROS	417492	A56221	TROS	415234!
A56033	TROS	415027	A56096S	TROS	416167!	A56160	TROS	417354!	A56222	TROS	55236
A56033S	TROS	415027	A56097	TROS	417596	A56161	TROS	417493	A56223	TROS	55238
A56034	TROS	55028	A56098	TROS	411376!	A56162	TROS	417196!	A56224	TROS	55239=
A56035	TROS	370011A	A56098S	TROS	411376!	A56163	TROS	415711	A56225	TROS	55242
A56036	TROS	55030	A56099	TROS	416444	A56164	TROS	416332!	A56226	TROS	417481
A56037	TROS	416339	A56101	TROS	416271!	A56164S	TROS	416332!	A56229	TROS	417540
A56037	TROS	455031!	A56101S	TROS	416271!	A56165	TROS	415437!	A56230	TROS	412861
A56038	TROS	455032!	A56102	TROS	411245!	A56165	TROS	415437	A56231	TROS	455249!
A56039	TROS	416345!	A56103	TROS	415302	A56166	TROS	417497	A56232	TROS	415303!
A56039	TROS	455033	A56104	TROS	416282	A56167	TROS	415937!	A56233S	TROS	455251H
A56040	TROS	415034!	A56105	TROS	417547	A56168	TROS	417501	A56235	TROS	455253
A56041	TROS	415035	A56106	TROS	415938	A56169	TROS	415379	A56236	TROS	415254
A56041S	TROS	415035	A56107	TROS	417556	A56169	TROS	415379!	A56237	TROS	417198
A56042	TROS	415036	A56108	TROS	416666	A56170	TROS	455178=	A56239	TROS	417252
A56042S	TROS	415036	A56109	TROS	457874	A56171	TROS	417210!	A56240	TROS	415259!
A56043	TROS	455037	A56110	TROS	417562	A56172	TROS	417498	A56241	TROS	455260
A56044	TROS	417512	A56111	TROS	417563	A56173	TROS	417355!	A56243	TROS	417496
A56045	TROS	417513	A56112	TROS	416229	A56175	TROS	417205!	A56244	TROS	415263
A56046	TROS	416891!	A56113	TROS	417298	A56176	TROS	417504	A56244S	TROS	415263
A56047	TROS	415041	A56114	TROS	455310	A56177	TROS	417211!	A56245	TROS	415867
A56049	TROS	415043	A56115	TROS	455584	A56177S	TROS	417211!	A56246	TROS	416865!
A56050	TROS	417514	A56116	TROS	416077	A56178	TROS	417967!	A56248	TROS	455267
A56051	TROS	415045!	A56117	TROS	415116	A56179	TROS	415187	A56249	TROS	55268
A56052	TROS	417520	A56118	TROS	455117	A56180	TROS	417356!	A56250	TROS	417502
A56053	TROS	415047	A56119	TROS	415551	A56180	TROS	455188	A56251S	TROS	417605
A56054	TROS	417525	A56120	TROS	417598	A56181S	TROS	455189	A56252	TROS	415725!

! Industrial Size/Type

= The U.S. customer service number is 877-4-TIMKEN. The Canadian customer service numbers are 800-565-4927 (English) and 800-565-0438 (French-Canadian).

Mfr. No.	Name	Zero Duplication or Recommended Industrial	Mfr. No.	Name	Zero Duplication or Recommended Industrial	Mfr. No.	Name	Zero Duplication or Recommended Industrial	Mfr. No.	Name	Zero Duplication or Recommended Industrial
A56252S	TROS	415725!	A56332	TROS	416273!	A56416S	TROS	455547	A58223	CASE	471271!
A56253	TROS	416706!	A56333	TROS	417537	A56417	TROS	55548	A58428	CASE	472878
A56253S	TROS	416706!	A56334S	TROS	415371	A56419	TROS	455556	A5861AB	CASE	472462
A56254	TROS	417254	A56335	TROS	455375=	A56421S	TROS	417780	A59046	CASE	416043
A56256	TROS	55276=	A56336	TROS	417541	A56422	TROS	415559	A59134	TROS	41257!
A56258	TROS	455280	A56337	TROS	415284	A56425	TROS	417433	A59401K	TROS	5320=
A56259	TROS	417349	A56337S	TROS	415284	A56426	TROS	455566	A59760S	TROS	335924N
A56261	TROS	416364!	A56338	TROS	415379!	A56426S	TROS	455566	A598417	NEHO	370023A
A56261S	TROS	416364!	A56338	TROS	415379	A56430S	TROS	417506	A598417	SPERY	370023A
A56263	TROS	416865	A56338S	TROS	415379	A56431S	TROS	455576!	A59861S	TROS	480821!
A56264	TROS	417602!	A56338S	TROS	415379!	A56432	TROS	415577	A60003E	GMC	471643!
A56267	TROS	455290	A56339	TROS	418025	A56434	TROS	370023A	A60003F	GMC	471643!
A56268	TROS	455292=	A56342	TROS	416956	A56435	TROS	455583N!	A600B-202	CONTI	410737!
A56269	TROS	417584	A56342S	TROS	416956	A56438S	TROS	455592	A600L-202	CASE	473467!
A56270	TROS	415294!	A56343	TROS	475384	A56440	TROS	416070	A600L-202	CONTI	473467!
A56270S	TROS	415294!	A56345	TROS	55386	A56442	TROS	55611=	A600L-202L	CONTI	473467
A56271	TROS	415295	A56346	TROS	415389	A56443	TROS	455612=	A600L-214	CONTI	473467!
A56272	TROS	417082	A56348	TROS	55392=	A56444	TROS	416294!	A600L202	MASSE	473467!
A56273	TROS	455297	A56349	TROS	417511	A56445	TROS	455614	A60106	TROS	8976S
A56275	TROS	417600	A56350	TROS	415394	A56446	TROS	416029N!	A60108K	TROS	370012A
A56276	TROS	417601	A56351	TROS	417549!	A56447	TROS	455625=	A6020A	GAL	416271!
A56277S	TROS	55301S	A56352	TROS	455396	A56449	TROS	415085!	A60382	OLIVE	472924!
A56279	TROS	476470	A56353	TROS	455397	A56449	TROS	456648	A60536	CUMMI	473229
A56280	TROS	415991	A56355	TROS	455402=	A56450	TROS	415371	A60720K	TROS	5390
A56280	TROS	455146!	A56356	TROS	417551	A56451	TROS	55646=	A60801S	TROS	471538
A56282	TROS	455308	A56357	TROS	417492	A56453	TROS	455650=	A61002G	TROS	730009
A56283	TROS	55309=	A56358	TROS	417564	A56455	TROS	455655!	A61005G	TROS	730007
A56284	TROS	455310	A56360	TROS	55431=	A56456S	TROS	416267!	A61006G	TROS	730018
A56285	TROS	455311	A56361	TROS	455434	A56457	TROS	455661	A61008G	TROS	730005
A56286	TROS	417278	A56362	TROS	455436=	A56458	TROS	412473!	A61011G	TROS	730022
A56287	TROS	416670	A56363	TROS	415437	A56459	TROS	415683	A61012G	TROS	730026
A56288	TROS	415984!	A56364	TROS	55441=	A56461	TROS	455685	A61014G	TROS	733067
A56289	TROS	55316=	A56365	TROS	472016	A56463	TROS	417353!	A61161	TROS	42101S
A56290	TROS	415317	A56367	TROS	415447	A56464	TROS	416297	A614413	DCORP	412119!
A56291	TROS	417542	A56370S	TROS	417597	A56465	TROS	55692=	A614418	DCORP	472213
A56292	TROS	417495	A56372	TROS	455576!	A56466S	TROS	416364!	A61442	DCORP	471466!
A56293	TROS	455321	A56373	TROS	455462	A56469	TROS	370019A	A614422	DCORP	254270
A56294	TROS	417484!	A56374	TROS	417550	A56470	TROS	415960	A614423	DCORP	472258!
A56294S	TROS	417484!	A56375	TROS	55469	A56474	TROS	416071	A614436	DCORP	473234!
A56295	TROS	417532	A56376	TROS	455471	A56476	TROS	455820	A614438	DCORP	471750!
A56296	TROS	415327	A56377	TROS	455472=	A56477	TROS	417258	A614444	DCORP	471549!
A56297	TROS	455328	A56378	TROS	417518	A56478	TROS	410825	A614446	DCORP	471231!
A56298	TROS	55329=	A56380	TROS	455476	A56480	TROS	415832	A61445	DCORP	481443!
A56299	TROS	455330!	A56381	TROS	417350!	A56481	TROS	417604	A61447	DCORP	472951
A56300	TROS	417191	A56382	TROS	455480!	A56484	TROS	415854	A61447	DCORP	474252
A56300	TROS	456585	A56382S	TROS	455480!	A56485	TROS	415857!	A61448	CASE	486857
A56302	TROS	55333=	A56383	TROS	417543	A56486	TROS	455858	A61448	DCORP	471747!
A56305	TROS	455336	A56384	TROS	415482	A56487	TROS	417480!	A61449	CASE	9943
A56306	TROS	55337	A56386S	TROS	415937!	A56489	TROS	2055	A61449	DCORP	473424!
A56308	TROS	415991	A56387S	TROS	415937!	A56492S	TROS	415379!	A61736	CASE	6597S
A56308	TROS	455146!	A56388	TROS	417555!	A56493S	TROS	416102	A61840S	TROS	471539!
A56309	TROS	417494	A56390S	TROS	417603!	A56494	TROS	55199=	A62049	CASE	415458!
A56310	TROS	417531	A56392	TROS	417548	A56500S	TROS	415958	A62050	CASE	714750
A56313	TROS	55346	A56392S	TROS	417548	A56500S	TROS	415958!	A620A	OLIVE	412119!
A56314	TROS	417159	A56394	TROS	415498	A565634	FRUEH	370036A	A62701P	TROS	473454
A56314S	TROS	417159	A56394S	TROS	415498	A565634	FRUEH	370349A	A6283	CASE	370051A
A56316	TROS	415349	A56395	TROS	418029!	A56626	CASE	473234=	A62855	ALLCH	473367
A56317	TROS	415350	A56396	TROS	455500	A57230	CASE	416294!	A62855	ALLCH	473367!
A56319	TROS	55353	A56397	TROS	55501=	A57231	CASE	.J1123	A63102	TROS	8975S
A56320	TROS	416404!	A56398	TROS	455583N!	A57246	CASE	.9434=	A63201S	TROS	8477S
A56321S	TROS	417158!	A56400	TROS	455509	A57247	CASE	.5397\$	A63218	CASE	417123=
A56322	TROS	455356	A56401S	TROS	.2081	A57250	CASE	.5397	A63301S	TROS	9178S
A56323	TROS	55357	A56403	TROS	370015A	A57479	CASE	411500	A63601S	TROS	8804S=
A56324	TROS	55358=	A56404	TROS	417507	A57501R	TROS	.9613S	A63701K	TROS	5337
A56326	TROS	417362!	A56404S	TROS	417507!	A57520S	TROS	471652	A63720K	TROS	5095
A56326S	TROS	417362!	A56404S	TROS	417507!	A57520S	TROS	482208!	A63860S	TROS	470954!
A56327	TROS	416664!	A56408	TROS	55524	A57647	CASE	415559	A63901S	TROS	480581
A56327S	TROS	416664!	A56409	TROS	55532=	A57658	CASE	476470	A63960	TROS	311189
A56328	TROS	327303!	A56412	TROS	455536	A57697	CASE	.J1105	A64002	TROS	.HU019A
A56330	TROS	55367=	A56413	TROS	55539=	A57699	CASE	473454	A64005	TROS	.HU005A
A56331	TROS	415483!	A56416	TROS	370033A	A5769L	CASE	.J1105	A64006	TROS	.HU008A
A56331S	TROS	415483!	A56416S	TROS	415697!	A57708	CASE	472164!	A64007	TROS	.HU007A

ALPHABETICAL INTERCHANGE

! Industrial Size/Type \$F-M Number Is Part Of A Kit

= The U.S. customer service number is 877-4-TIMKEN. The Canadian customer service numbers are 800-565-4927 (English) and 800-565-0438 (French-Canadian).

Zero Duplication or Recommended Industrial		Zero Duplication or Recommended Industrial		Zero Duplication or Recommended Industrial		Zero Duplication or Recommended Industrial					
Mfr. No.	Name	Mfr. No.	Name	Mfr. No.	Name	Mfr. No.	Name				
A64008	TROSHU008A	A65261	TROS370036A	A69510K	TROS370036A	A69731K	TROS370191A
A64009	TROSHU009A	A65261	TROS370349A	A69510K	TROS370349A	A69742K	TROS370003A
A64009P	TROSHU009A	A65262	TROSAR10+370020A	A69511K	TROS370036A	A69743K	TROS370106A
A64011	TROSHU011A	A65263	TROS370001A	A69511K	TROS370349A	A69745K	TROS415058
A64011P	TROSHU011A	A65270	TROS416892	A69512K	TROS370192A	A69746K	TROS370069A
A64012	TROSHU012A	A65272	TROS370021A	A69513K	TROS370004A	A69746K	TROS380069A
A64013	TROSHU013A	A65274	TROS370005A	A69519K	TROSAR2+370026A	A69750K	TROS416865
A64013P	TROSHU013A	A65283	TROS370006A	A69520K	TROS370065A	A69754K	TROS370023A
A64014	TROSHU014A	A65284	TROS370019A	A69520K	TROS376590A	A69754K	TROS415958
A64014P	TROSHU014A	A65287	TROS370007A	A69521K	TROS370107A	A69754K	TROS417505
A64019	TROSHU019A	A65291	TROS370012A	A69522K	TROS370027A	A69755K	TROS417506
A64024	TROSHU024A	A65299	TROS370057A	A69535K	TROS386025A	A69756K	TROS370003A
A64025	TROSHU036A	A65340S	TROS8695S	A69535K	TROS416158	A69757K	TROS370005A
A64028	TROSHU028A	A65360S	TROS7687S	A69536K	TROS370037A	A69758K	TROS415058
A64031	TROSHU031A	A65402P	TROS411330!	A69536K	TROS370338A	A69759K	TROS370121A
A64034	TROSHU034A	A65501S	TROS9449	A69570K	TROS370036A	A69781K	TROS370069A
A64034P	TROSHU034A	A65502S	TROS8792S	A69570K	TROS370349A	A69781K	TROS380069A
A64036	TROSHU036A	A65520S	TROS470687	A69594K	TROSAR2+370026A	A69782K	TROS370121A
A64042	TROSHU042A	A65601P	TROS3945	A69596K	TROS370065A	A69783K	TROSAR20+370004A
A64046	TROSHU110A	A65961	TROS412725	A69596K	TROS376590A	A69785K	TROS370047A
A64049	TROSHU149A	A65961S	TROS412725	A69597K	TROS370036A	A69787K	TROS417506
A64050	TROSHU042A	A65963S	TROS476838!	A69597K	TROS370349A	A69788K	TROS415058
A64058P	TROSHU058A	A65965S	TROS473234	A69598K	TROS386025A	A69789K	TROS370006A
A64064	TROSHU003A	A65968S	TROS471567!	A69598K	TROS416158	A69790K	TROS370036A
A64065	TROSHU065A	A66120S	TROS472394	A69599K	TROS370037A	A69790K	TROS370349A
A64066	TROSHU066A	A66123S	TROS472258!	A69599K	TROS370338A	A69791K	TROS370021A
A64075	TROSH075	A66161S	TROS1165	A69604K	TROSAR5+370014A	A69792K	TROS370019A
A64092	TROSHU036A	A66201S	TROS9116S	A69605K	TROSAR4+370011A	A69793K	TROS416892
A64093	TROSHU110A	A66202S	TROS9195S=	A69608K	TROS370015A	A69794K	TROS370023A
A64095	TROSHU009A	A66203	TROS9049	A69609K	TROS370124A	A69794K	TROS417505
A64096	TROSHU066A	A66203	TROS9049N	A69611K	TROS418028	A69795K	TROS370030A
A64098	TROSHU110A	A66204S	TROS9128S	A69612K	TROS417134	A69798K	TROS370005A
A64099	TROSHU036A	A66340S	TROS9342S	A69616K	TROS370007A	A7001	MERCM471692!
A64101S	TROS8705S	A66402P	TROS2043	A69619K	TROS370007A	A7018	MERCM471472!
A64160	TROS8635S	A66402S	TROS2043	A69621K	TROSAR+370018A	A7090	CASE470954
A64201S	TROS8594S	A66501S	TROS470530!	A69622K	TROSAR6+370012A	A7144	CASE473227
A64202S	TROS8660S	A66520S	TROS473473	A69624K	TROS370012A	A7146	CASE471504!
A64220	TROS9569S	A66540S	TROS8935S	A69625K	TROSAR7+370012A	A7184	FORD410059
A64360S	TROS7686S	A66541S	TROS473234!	A69626K	TROS370001A	A7184	FORD470380!
A64402P	TROS8610	A66581	DCORP473236!	A69628K	TROSAR12+370033A	A7201	FORD473459
A64501R	TROS473179	A66584	DCORP473234!	A69629K	TROSAR10+370020A	A72069	TROS471192
A64503S	TROS472299	A67150	CASE476816=	A69637	TROS370002A	A72077S	TROS75251S
A64520S	TROS472354!	A67367	CASE417509	A69637K	TROS370002A	A73015	TROS200600
A64540S	TROS415991!	A675000AL513	GE416888!	A69639K	TROS370054A	A73017	TROS80313
A64540S	TROS415991	A676000AC111	GE451583!	A69640K	TROS370057A	A73019	TROS200640
A64601S	TROS472082	A676000AD155	GE481792	A69643K	TROS370131A	A73025	TROS7208S
A64901S	TROS8750S	A676000AD156	GE471652	A69688K	TROS370002A	A73029	TROS200642
A64965S	TROS471271!	A676000AD157	GE480482=	A69689K	TROSAR4+370011A	A74002	TROS450040
A64968S	TROS415458!	A676000AD161	GE471787!	A69690K	TROS370007A	A74003	TROS473367
A65003	TROS386025A	A676000AD162	GE471413!	A69691K	TROS370015A	A74004	TROS473228!
A65003	TROS416158	A676000AD163	GE471801!	A69693K	TROS370012A	A74008	TROS472287!
A65027	TROS370106A	A676000AE212	GE470380!	A69695K	TROS370064A	A74010	TROS473010!
A65029	TROS415058	A676000AE213	GE473228!	A69696K	TROS370131A	A74012	TROS415449!
A65054	TROS417506	A676000AF251	GE472299	A69698K	TROSAR10+370020A	A74013	TROS417344!
A65056	TROS370003A	A676000AF255	GE473230!	A69699K	TROS370001A	A74014	TROS416444
A65060	TROS386025A	A676000AF258	GE471829	A69701K	TROSAR20+370004A	A74015	TROS415449!
A65060	TROS416158	A676000AF260	GE472164!	A69702K	TROS416892	A74017	TROS415379
A65065	TROS370005A	A676000AG302	GE473238!	A69703K	TROS370021A	A74019	TROS416666
A65067	TROS370030A	A676000AK454	GE415984!	A69705K	TROS370033A	A74023	TROS416865!
A65070	TROS370005A	A676000AL508	GE416380!	A69707K	TROS370030A	A75006S	TROS240009
A65072	TROS370021A	A676000AL513	GE416888!	A69711K	TROS370008A	A75012S	TROS481537
A65073	TROS370011A	A67637	CASE471509	A69713K	TROS370027A	A75013S	TROS340771
A65073W	TROS370011A	A68103	TROSHU013A	A69714K	TROS370005A	A75016S	TROS45637S
A65084	TROS370019A	A69043	CUMMI421	A69716K	TROS370006A	A75233	CASE415449!
A65102S	TROS8974S	A693A	OLIVE411253!	A69717K	TROS370019A	A7597	AM CA473453
A65103S	TROS8975S	A693A	WHITE411253!	A69718K	TROS370019A	A76002S	TROS200110
A65120S	TROS4148	A69503K	TROS370013A	A69719K	TROS370006A	A76004	TROS204008
A65120S	TROS471424!	A69505K	TROS386025A	A69724K	TROS370036A	A76005S	TROS203003
A65121S	TROS9339S	A69505K	TROS416158	A69724K	TROS370349A	A76006S	TROS203003
A65201S	TROS8835S	A69506K	TROS370029A	A69725K	TROS370047A	A76008S	TROS203006!
A65202S	TROS8940S	A69509K	TROS370037A	A69728K	TROS370033A	A76010S	TROS203008
A65240S	TROS8704S	A69509K	TROS370338A	A69730K	TROS370046A	A76011S	TROS203012

! Industrial Size/Type

= The U.S. customer service number is 877-4-TIMKEN. The Canadian customer service numbers are 800-565-4927 (English) and 800-565-0438 (French-Canadian).

Mfr. No.	Name	Zero Duplication or Recommended Industrial	Mfr. No.	Name	Zero Duplication or Recommended Industrial	Mfr. No.	Name	Zero Duplication or Recommended Industrial	Mfr. No.	Name	Zero Duplication or Recommended Industrial
A76012S	TROS	203013	A80038S	TROS	6597S	A81100S	TROS	471267!	A84035S	TROS	416888!
A76013S	TROS	203016	A80040S	TROS	240698	A81101S	TROS	331107N	A84036S	TROS	417350!
A76014S	CASE	470898	A80041S	TROS	240716	A81102S	TROS	473231!	A84038S	TROS	355732
A76014S	TROS	203025	A80042S	TROS	240731	A81103S	TROS	331173	A84040S	TROS	327303!
A76015S	TROS	203029	A80044S	TROS	240733	A81104R	TROS	331227H	A84833	CATER	J1128
A76016S	TROS	45637S	A80045S	TROS	240735	A81105S	TROS	331228H	A84833	TMTR	J1128
A76017S	TROS	204002	A80046S	TROS	240736	A82139	BENDI	415027!	A85001S	TROS	470898
A76021S	TROS	204008	A80049S	TROS	240816	A82139	BENDI	415027	A85004S	TROS	415458!
A76024S	TROS	204013	A80050S	TROS	240949	A82170	C-W	472924!	A85005S	TROS	417344!
A76025S	TROS	204017	A80052S	TROS	471076	A8225	CASE	471646!	A85007S	TROS	415027
A76026S	TROS	204020	A805F-104	ROCKW	472439	A828	FMC	330385	A85010S	TROS	417357
A76026S	TROS	204505!	A805F-108	ROCKW	410308!	A83000S	TROS	471466	A85011P	TROS	415983N!
A76028S	TROS	204035	A805F-110	ROCKW	410825	A83002S	TROS	471224!	A85012S	TROS	412920
A76216	CASE	473459	A805F-111	ROCKW	470530!	A83003S	TROS	340136	A85015S	TROS	203006!
A76272	CASE	5164=	A805F-118	ROCKW	473238!	A83004S	TROS	470954!	A85017S	TROS	441319
A7662	AM CA	471504!	A805F-120	ROCKW	410737!	A83005S	TROS	472560N	A85019S	TROS	472016
A7717	CLARK	415483!	A805F-121	ROCKW	472924!	A83009S	TROS	340210	A85024S	TROS	451143
A778	WILYS	471413	A805F-124	ROCKW	472492!	A83010S	TROS	471643!	A85025R	TROS	472164
A779	WILYS	40576S	A805F-125	ROCKW	471271!	A83011S	TROS	340356	A85036S	TROS	471341!
A7792	CASE	415449!	A805F-126	ROCKW	417600	A83012S	TROS	350364	A85037S	TROS	471827
A78003	TROS	205004	A805F-133	ROCKW	470954	A83013S	TROS	330385	A85042P	TROS	473452
A78004	TROS	203005!	A805F-134	ROCKW	340853	A83014S	TROS	471267!	A85047S	TROS	471195!
A78004	TROS	205005	A805F-136	ROCKW	455330!	A83015S	TROS	340400	A85072S	TROS	472258!
A78010	TROS	205015	A805F-139	ROCKW	450803	A83016S	TROS	340413	A85080R	TROS	415379!
A78012	TROS	204020	A805F-141	ROCKW	417171!	A83018S	TROS	481537	A86022	TROS	5M81
A78012	TROS	204505!	A805F-143	ROCKW	471820	A83020S	TROS	254270	A86029	TROS	5M89
A78013	TROS	205035	A805F-144	ROCKW	410102	A83022S	TROS	340724!	A86072	TROS	5M289
A78014	TROS	205044	A805F-148	ROCKW	472018	A83023S	TROS	340771	A86073	TROS	5M293
A78016S	TROS	472144!	A805F-154	ROCKW	417597	A83024S	TROS	340787	A86085	TROS	5M356
A78017S	TROS	210914	A805F-156	ROCKW	455480!	A83025S	TROS	340797	A86090	TROS	370002A
A78018S	TROS	210945	A805F-161	ROCKW	415938	A83026S	TROS	340815	A86098	TROS	5M403
A78019S	TROS	411376!	A805F-165	ROCKW	470565!	A83027S	TROS	340817	A86099	TROS	5M406=
A78021S	TROS	415449!	A805F-167	ROCKW	415371	A83028S	TROS	340823	A86107	TROS	5M445
A78022S	TROS	417343!	A805F-169	ROCKW	417967!	A83029S	TROS	340835	A86120	TROS	5M466
A78023S	TROS	412473!	A805F-173	ROCKW	473244	A83030S	TROS	340853	A86134	TROS	5M497
A78024S	TROS	415725!	A805F-174	ROCKW	415854	A83031S	TROS	340872	A86135	TROS	370002A
A78026S	TROS	471554!	A805F-179	ROCKW	415090	A83033S	TROS	340900	A86142	TROS	5M544
A78029S	TROS	471224!	A805F-183	ROCKW	417602!	A83034S	TROS	340927	A86143	TROS	5M559
A78031S	TROS	471689!	A805F-187	ROCKW	417570	A83035S	TROS	340930	A86144	TROS	5M643
A78033S	TROS	472164!	A805F-190	ROCKW	412871!	A83037S	TROS	341022	A86160	TROS	5M867
A78034S	TROS	472299	A805F-191	ROCKW	470898	A83039S	TROS	345035	A86177	TROS	5MR71
A78036S	TROS	471829	A805F-192	ROCKW	472299	A83040S	TROS	345146	A86178	TROS	5MR1008
A78037S	TROS	415458!	A805F-194	ROCKW	455476	A83041	TMTR	482253	A86179	TROS	5MR1009
A78038S	TROS	417487!	A805F-195	ROCKW	470565!	A83161	TMTR	416130!	A86184	TROS	5MR1300
A78038S	TROS	417487	A805F-199	ROCKW	450090	A83173	TMTR	416270	A86185	TROS	5MR1301
A78039S	TROS	415146!	A805F-201	ROCKW	455251H	A84001S	TROS	471413!	A86200S	TROS	9911S
A78039S	TROS	415991	A805F-205	ROCKW	417555!	A84004S	TROS	350156	A86201S	TROS	9913
A78040S	TROS	415984!	A805F-208	ROCKW	415447	A84004S	TROS	473096	A86203S	TROS	9845
A7870	CASE	415036	A805F-210	ROCKW	415379	A84005S	TROS	481443!	A86206S	TROS	9487
A7889	CASE	415036	A805F-215	ROCKW	450362	A84006S	TROS	471646!	A86207S	TROS	3604
A79011P	TROS	410737!	A805F-218	ROCKW	412861	A84007S	TROS	471689!	A86209S	TROS	9912
A79012S	TROS	417487!	A805F-220	ROCKW	456105	A84008S	TROS	481163!	A86210S	TROS	5123
A79012S	TROS	417487	A805F-60	ROCKW	417205!	A84009S	TROS	471538	A86211S	TROS	5109
A79013S	TROS	415984!	A805F-69	ROCKW	472439	A84011S	TROS	350364	A86215K	TROS	5092
A79016S	TROS	416404!	A805F-91	ROCKW	415447	A84013S	TROS	330385!	A86216K	TROS	5111
A79017S	TROS	415498	A805F130	ROCKW	471192	A84014S	TROS	473227	A86216K	TROS	5111S
A79018S	TROS	416500	A805F132	ROCKW	471689!	A84016S	TROS	472311!	A86217K	TROS	5112
A7963619	ACF	240736	A805F135	ROCKW	470764!	A84019S	TROS	474272	A86217K	TROS	5112S
A80011S	TROS	240007=	A805F135	ROCKW	50764	A84020S	TROS	471267!	A86218K	TROS	5390
A80013S	TROS	240009	A805F193	ROCKW	470764!	A84021S	TROS	473454	A86219K	TROS	5095
A80016S	TROS	240023	A805F193	ROCKW	50764	A84022S	TROS	473424!	A86220K	TROS	5116
A80019S	TROS	240119	A81012	TROS	470530!	A84023S	TROS	471765!	A86225S	TROS	2146
A80021S	TROS	240151	A81019	TROS	415995!	A84024S	TROS	350909	A86227S	TROS	9449
A80026S	TROS	240215	A81019	TROS	415995!	A84024S	TROS	471224!	A86230K	TROS	5072
A80027S	TROS	240319	A81021	TROS	417211!	A84025S	TROS	473241	A86232S	TROS	9487
A80028S	TROS	240356	A81022	TROS	415437	A84026S	TROS	350936	A86233P	TROS	8460N
A80031S	TROS	6703S	A81023	TROS	412473!	A84027S	TROS	350942	A86234K	TROS	5073
A80032S	TROS	240414	A81044	TROS	473448	A84028A	TROS	350974!	A86237S	TROS	2146
A80034S	TROS	240435	A81045	TROS	471652	A84030S	TROS	351028	A86250S	TROS	332134
A80035S	TROS	240457	A81054	TROS	291295	A84033S	TROS	415082	A86255S	TROS	4250
A80036S	TROS	240462	A81066	TROS	8976S	A84034S	TROS	416271!	A86256S	TROS	9864S
A80037S	TROS	240470	A81067	TROS	418028	A84035S	TROS	355200	A86285S	TROS	415995!

ALPHABETICAL INTERCHANGE

! Industrial Size/Type

= The U.S. customer service number is 877-4-TIMKEN. The Canadian customer service numbers are 800-565-4927 (English) and 800-565-0438 (French-Canadian).

Zero Duplication or Recommended Industrial		Zero Duplication or Recommended Industrial		Zero Duplication or Recommended Industrial		Zero Duplication or Recommended Industrial					
Mfr. No.	Name	Mfr. No.	Name	Mfr. No.	Name	Mfr. No.	Name				
A86285S	TROS	415995!	A86626	TROS	472324!	A87128S	TROS	40337S	A92842	OLIVE	417316!
A86287S	TROS	416706!	A86627	TROS	472324!	A87131S	TROS	472029	A9288	BUTBN	40337S
A86289S	TROS	472397!	A86628	TROS	472324!	A87138S	TROS	470605!	A95018	AM CA	472185!
A86290S	TROS	470605!	A86629	TROS	472324!	A87139S	TROS	415449!	A95123	AM CA	415449!
A86291S	TROS	471344	A86643	TROS	471224!	A87142	TROS	415001!	A95155	AM CA	417073
A86293S	TROS	471763	A86644S	TROS	471224!	A87146	TROS	416273!	A95161	AM CA	473227
A86297S	TROS	416273	A86645S	TROS	471224!	A87156S	TROS	451143	A95166	AM CA	471868
A86303S	TROS	2689S	A86647S	TROS	471224!	A87159	TROS	413248	A95169	AM CA	417344!
A86310	TROS	471646!	A86650S	TROS	471224!	A87161	TROS	417079	A95213	AM CA	415984!
A86312	TROS	471413!	A86652	TROS	471224!	A87164	TROS	415458!	A95215	AM CA	473238
A86313	TROS	471413!	A86654S	TROS	471270!	A87189S	TROS	416654	A95296	AM CA	471705!
A86314	TROS	5131	A86657S	TROS	471649!	A87190S	TROS	416654	A95300	AM CA	416654!
A86315	TROS	470625!	A86659	TROS	471649!	A87205	TROS	416404!	A95301	AM CA	472560N!
A86317	TROS	350936	A86660S	TROS	471649!	A87207	TROS	370046A	A958	WILYS	473229
A86318	TROS	5121	A86670S	TROS	471733	A87214	TROS	476470	A9733051	KELSE	45031S
A86320	TROS	410308!	A86674S	TROS	471744!	A87217	TROS	418028	A974	WILYS	471466!
A86321	TROS	416273	A86676S	TROS	471760	A87217	TROS	455137!	A9AZ7288A	FORD	340797
A86323	TROS	417487	A86677S	TROS	471760	A87218S	TROS	418028	A9LY7052A	FORD	7300S
A86325K	TROS	5117	A86689	TROS	480210!	A87218S	TROS	455137!	A9LY7052B	FORD	473235!
A86326K	TROS	5127	A86705S	TROS	471652	A87219	TROS	418028	AA0462E0	NOK	471549!
A86355S	TROS	471689!	A86706S	TROS	471652	A87219	TROS	455137!	AA0462E0	NOK	471549*
A86358P	TROS	473010	A86710S	TROS	471692!	A87220	TROS	416292	AA10570	JOHND	45013S
A864	WILYS	40566S	A86712	TROS	471692!	A87221	TROS	415085!	AA1175A	FORD	415960!
A86423S	TROS	471442!	A86717S	TROS	471763	A87221	TROS	456648	AA1175AR	FORD	455008
A86424	TROS	471442!	A86718	TROS	473259	A87224	TROS	417191	AA1430E	NOK	471649!
A86426S	TROS	471526!	A86725S	TROS	470328	A87224	TROS	455165!	AA1443B	OLIVE	417356!
A86429S	TROS	471526!	A86725S	TROS	481213!	A87225S	TROS	416327	AA1443B	OLIVE	455188
A86430S	TROS	471526!	A86728S	TROS	472475	A87232S	TROS	415991	AA1443C	OLIVE	472157
A86431	TROS	471526!	A86741S	TROS	471413!	A87232S	TROS	415991!	AA1443C	OLIVE	472157!
A86440S	TROS	471530	A86743S	TROS	471737	A87233S	TROS	415991!	AA1443E0	NOK	471733
A86447S	TROS	472705!	A86747S	TROS	471750!	A87233S	TROS	415991	AA15M200	CONTI	343185
A86449S	TROS	471281!	A86749S	TROS	471766	A87235	TROS	55028	AA15M201	CONTI	471267!
A86464S	TROS	471466!	A86750S	TROS	471766!	A87242	TROS	416919	AA15M202	CONTI	343185
A86466S	TROS	471466!	A86760S	TROS	471787!	A87245	TROS	416339	AA1841F0	NOK	471766!
A86468S	TROS	471466!	A86774S	TROS	473210	A87245	TROS	455031!	AA1841F0	NOK	471766*
A86470	TROS	471466!	A86776	TROS	473210	A87246S	TROS	416345!	AA1999E	NOK	472354!
A86471S	TROS	471466!	A86790S	TROS	472354!	A87246S	TROS	455033	AA2162E0	NOK	36X50X7!
A86473S	TROS	471264!	A86795	TROS	472258!	A87249	TROS	45187S	AA2222E0	NOK	38X52X8.5
A86475S	TROS	471264!	A86797S	TROS	470380!	A87253S	TROS	471472!	AA2276E0	NOK	473227!
A86477S	TROS	471255!	A86799S	TROS	471192	A87256S	TROS	455194	AA2291E0	NOK	471344
A86479S	TROS	471564	A86803S	TROS	471192	A87259	TROS	472157!	AA2293E0	NOK	473228!
A86484S	TROS	481528	A86819	TROS	471835!	A87259	TROS	472157	AA2296R	JOHND	472287!
A86486S	TROS	481397	A86850	TROS	473231	A87265S	TROS	6597S	AA2342Y0	NOK	224015
A86487S	TROS	481397	A86865	TROS	291099	A87267	TROS	416888!	AA2342Y0	NOK	40X52X7!
A86495S	TROS	471538!	A86866	TROS	470487!	A87275	TROS	415725!	AA2464E0	NOK	473367*
A86497S	TROS	471538!	A86875S	TROS	472299	A87277S	TROS	416865!	AA2464E0	NOK	473367!
A86500S	TROS	471553!	A86888S	TROS	481181!	A87292	TROS	240319	AA2580E0	NOK	473237!
A86501S	TROS	471553!	A86914S	TROS	473234!	A87293S	TROS	470954!	AA2593E0	NOK	472193*
A86514S	TROS	470954!	A86928S	TROS	340400	A87294S	TROS	471643!	AA2593E0	NOK	472193!
A86517S	TROS	470954!	A86931	TROS	450400	A87295S	TROS	471643!	AA2599E0	NOK	472179
A86523S	TROS	471554!	A86956	TROS	472179	A87300S	TROS	472354!	AA2773E0	NOK	224820
A86530S	TROS	471567!	A86962S	TROS	471141!	A87301S	TROS	472354!	AA2773Y0	NOK	224820
A86532S	TROS	471567!	A86973S	TROS	473451!	A87303S	TROS	471827!	AA2847Y0	NOK	225020
A86540S	TROS	471643!	A87011	TROS	473462	A87304S	TROS	1192	AA2847Y0	NOK	50X68X8!
A86541	TROS	471643!	A87012	TROS	450965	A87313S	TROS	340853	AA2928E0	NOK	470530
A86554	TROS	481443!	A87014	TROS	417474	A87339S	TROS	472560N	AA2929E	NOK	470530!
A86555S	TROS	481443!	A87025S	TROS	6703S	A87367S	TROS	472705!	AA2934E0	NOK	472397!
A86562	TROS	481644	A87027	TROS	472082	A87369S	TROS	7188S	AA2942E0	NOK	410102
A86564S	TROS	481644	A87028	TROS	472924!	A87372S	TROS	470954!	AA2990F0	NOK	340900
A86573S	TROS	471539!	A87030S	TROS	472397!	A87373S	TROS	470954!	AA2994F0	NOK	470898
A86575S	TROS	471539!	A87031	TROS	40301S	A87918	TMTR	470712!	AA3001E0	NOK	410308!
A86579S	TROS	471231!	A87038	TROS	473464	A8926	CASE	415988	AA3132E0	NOK	411253!
A86581	TROS	471231!	A87051	TROS	5756	A8926X	CASE	415988	AA3132G0	NOK	411253!
A86584	TROS	471686	A87054	TROS	41013S	A89569	US-EL	471821!	AA3257E0	NOK	412119!
A86597S	TROS	471267!	A87064	TROS	410308	A89570	US-EL	473179!	AA3262E0	NOK	410686N
A86598S	TROS	471267!	A87071	TROS	473471	A8Q7274A	FORD	471231!	AA3266E0	NOK	415857!
A86605	TROS	471570!	A87076S	TROS	341022	A8TZ1175A	FORD	410987!	AA3267F0	NOK	410825
A86606S	TROS	471570!	A87084S	TROS	471272!	A8TZ1175B	FORD	410987!	AA3333Z1	NOK	472029
A86607S	TROS	471570!	A87087S	TROS	471341!	A90830	CATER	470712!	AA3339E0	NOK	471271!
A86614S	TROS	471633!	A87094	TROS	411253!	A90830	TMTR	470712!	AA3346E0	NOK	415449
A86616	TROS	471646!	A87098S	TROS	442874	A912542	FALKC	413247!	AA3349E0	NOK	415449!
A86624	TROS	471571	A87114S	TROS	40101S	A91615	TMTR	471737	AA3357E0	NOK	455079!

! Industrial Size/Type * Minor Width Difference

OIL SEALS

AA3439G0 – AB1830E

Mfr. No.	Name	Zero Duplication or Recommended Industrial	Mfr. No.	Name	Zero Duplication or Recommended Industrial	Mfr. No.	Name	Zero Duplication or Recommended Industrial	Mfr. No.	Name	Zero Duplication or Recommended Industrial
AA3439G0	NOK	415458!	AA7865E0	NOK	450621	AB0654F0	NOK	471264!	AB1292W0	NOK	222510
AA3479E	NOK	416664!	AA7914E0	NOK	416125!	AB0657E0	NOK	471255!	AB1294F0	NOK	25X35X7!
AA3487E0	NOK	416282	AA7B237	CONTI	471267!	AB0678E0	NOK	16X26X7	AB1306E0	NOK	222535
AA3606	DIA	455189	AA7C200	CONTI	481443!	AB0678QE	NOK	16X26X7	AB1307E0	NOK	222535
AA3654E0	NOK	100495	AA7C204	CONTI	417267	AB0685E0	NOK	221610	AB1314F0	NOK	222540
AA3654E0	NOK	417349	AA8006E0	NOK	471692*	AB0687E0	NOK	16X30X7	AB1315E0	NOK	222540
AA3665F0	NOK	415995!	AA8006E0	NOK	471692!	AB0688E0	NOK	16X30X7	AB1322E0	NOK	25X42X10
AA3665F0	NOK	415995*	AA8007E0	NOK	473215	AB0698E0	NOK	16X35X7	AB1334F0	NOK	25X45X8
AA3665FA	NOK	415995!	AA8007F0	NOK	473215!	AB0712E0	NOK	481073	AB1335F0	NOK	25X45X8
AA3738R	JOHND	471554!	AA8012E0	NOK	410496	AB0721E0	NOK	481481	AB1337F0	NOK	25X45X8
AA3796E0	NOK	476470	AA8012E0	NOK	410496!	AB0722F0	NOK	481481	AB1338E0	NOK	25X45X8
AA4183E0	NOK	416891!	AA8019E0	NOK	410102	AB0736F0	NOK	221710	AB1348E0	NOK	25X47X7
AA4245AR	FORD	473367!	AA8020E0	NOK	413246!	AB0742G0	NOK	221720	AB1361E0	NOK	25X50X10
AA4245AR	FORD	473367	AA8020E0	NOK	413246	AB0745G0	NOK	17X30X7	AB1363E0	NOK	25X50X10
AA4432E1	NOK	417541	AA8022E0	NOK	474255	AB0751E0	NOK	221730	AB1374E	NOK	25X52X8
AA4525F	NOK	416107!	AA8056E0	NOK	471619*	AB0759E0	NOK	17X35X7	AB1374E0	NOK	25X52X10
AA4686	FORD	471750!	AA8056E0	NOK	471619!	AB0771E1	NOK	17X40X7	AB1374E0	NOK	25X52X7!
AA4700	FORD	474281!	AA8061E0	NOK	412920!	AB0788E	NOK	471553!	AB1377E	NOK	25X52X8
AA4700R	FORD	474281!	AA8072E0	NOK	471567!	AB0788E	NOK	471553*	AB1377E0	NOK	25X52X10
AA487R	JOHND	416282	AA8098E0	NOK	226285	AB0788E1	NOK	471553!	AB1377E0	NOK	25X52X7!
AA502R	JOHND	476470	AA8098E0	NOK	62X85X8!	AB0788E1	NOK	471553*	AB1379E0	NOK	25X52X10
AA505	JOHND	476470	AA8222E0	NOK	417344	AB0816E0	NOK	221820	AB13C200	CONTI	471267!
AA506	JOHND	416282	AA8223E0	NOK	455858	AB0817E0	NOK	221820	AB13C201	CONTI	471466!
AA510R	JOHND	417316!	AA8360E0	NOK	471692!	AB0829E0	NOK	18X35X7	AB13S204	CONTI	350364
AA520	JOHND	417316!	AA8367E0	NOK	471138=	AB0831E0	NOK	18X35X7	AB1402E0	NOK	252277*
AA5247R	JOHND	472560N!	AA8376E0	NOK	55337	AB0875E0	NOK	19X35X10!	AB1403E0	NOK	252277
AA5506R	JOHND	471271!	AA8425E0	NOK	451030=	AB0896E0	NOK	254270!	AB1403E1	NOK	252277
AA5607R	JOHND	240731	AA8440E0	NOK	473454	AB0898E	NOK	254270!	AB1408E0	NOK	472311!
AA5613	JOHND	471267!	AA8511E0	NOK	415960	AB0898E0	NOK	1049	AB1410E2	NOK	471224!
AA5613R	JOHND	471267!	AA8524E0	NOK	473258!	AB0909F	NOK	470954!	AB1410F0	NOK	471224!
AA620A	GAL	416271!	AA8531E0	NOK	415234!	AB0909F0	NOK	470954!	AB1411E0	NOK	471224!
AA620A	HOUGH	416271!	AA8586E0	NOK	455251H	AB0909F1	NOK	470954	AB1426E0	NOK	471270!
AA620A	OLIVE	416271!	AA8739E0	NOK	471643!	AB0913E0	NOK	470954!	AB1427E0	NOK	471270!
AA6605R	JOHND	470898	AA8765E0	NOK	473367*	AB0913F	NOK	470954!	AB1463E0	NOK	26X38X5!
AA6606R	JOHND	471271!	AA8765E0	NOK	473367!	AB0913F0	NOK	470954!	AB1468E	NOK	471076
AA663	JOHND	5M356	AA8768E0	NOK	416154!	AB0913G0	NOK	470954!	AB1468E0	NOK	26X40X7!
AA6732Y0	NOK	1950	AAA397A0	NOK	62X85X8!	AB0915F	NOK	470954	AB1468E0	NOK	471076
AA6867E0	NOK	352637	AAL0088	LEYLD	370003A	AB0923F0	NOK	471554!	AB1474F0	NOK	26X42X10
AA6922E	NOK	471733*	AAX29789	JOHND	471267!	AB0923H0	NOK	471554!	AB1486E	NOK	481650
AA7032F0	NOK	470059	AAX43052	JOHND	472287!	AB0938E0	NOK	471643!	AB1486E0	NOK	481650
AA7032F0	NOK	470380!	AAX82739	JOHND	476838!	AB0984H0	NOK	20X30X7	AB1518E0	NOK	27X47X10
AA7075E0	NOK	470328	AAX87908	JOHND	472354!	AB0987E0	NOK	20X30X7	AB1531E0	NOK	28X38X7
AA7075E0	NOK	481213!	AAX90840	JOHND	472560N!	AB0997E0	NOK	222020	AB1532E1	NOK	28X38X7
AA7304E0	NOK	473214!	AAX92035	JOHND	472070	AB1012E0	NOK	222030	AB1538E0	NOK	222820
AA7305E0	NOK	412028	AAX92755	JOHND	472258	AB1013E0	NOK	222030	AB1538E0	NOK	28X40X7!
AA7323E0	NOK	470950	AAX92789	JOHND	471267!	AB1029E0	NOK	222050	AB1546G1	NOK	222835
AA7325E0	NOK	40389S	AB0067E	NOK	350435	AB1030E0	NOK	222050	AB1598E0	NOK	3638
AA7326E0	NOK	471516!	AB0067E0	NOK	350435	AB1032E0	NOK	20X40X10	AB1598E0	NOK	471652
AA7373E0	NOK	473458!	AB0205E0	NOK	9X22X7	AB1033F0	NOK	20X40X10	AB1600G0	NOK	471652
AA7411E0	NOK	456105	AB0223E0	NOK	330385!	AB1116E0	NOK	222210	AB1610E	NOK	476838!
AA7412E0	NOK	476470	AB0224G0	NOK	330385!	AB1126E	NOK	22X35X7	AB1610E0	NOK	476838!
AA7594E0	NOK	472636*	AB0327E0	NOK	50199S!	AB1126E0	NOK	222220	AB1617E0	NOK	471763
AA7594E0	NOK	472636!	AB0327E0	NOK	6863S!	AB1127E0	NOK	222220	AB1656E0	NOK	30X40X7!
AA7600E0	NOK	471870*	AB0371E0	NOK	12X22X7!	AB1145E0	NOK	22X42X10	AB1666E0	NOK	1970
AA7600E0	NOK	471870!	AB0387E0	NOK	12X28X7	AB1148E0	NOK	22X42X10	AB1673E0	NOK	223012
AA7601E0	NOK	473517!	AB0450E0	NOK	471442!	AB1172E0	NOK	7840S	AB1679G0	NOK	223014*
AA7602E0	NOK	471192	AB0456F0	NOK	471526!	AB1172F0	NOK	7840S	AB1682E0	NOK	223014*
AA7603E0	NOK	450492	AB0456G0	NOK	471526!	AB1181E0	NOK	471267!	AB1704F0	NOK	30X50X7
AA7624E0	NOK	416404!	AB0462E0	NOK	471549*	AB1181F0	NOK	471267!	AB1705F0	NOK	30X50X7
AA7626E0	NOK	417159	AB0462E0	NOK	471549!	AB1182F0	NOK	471267	AB1706E0	NOK	30X50X7
AA7652E0	NOK	472924!	AB0478E	NOK	14X24X7!	AB1184G0	NOK	471267!	AB1709G0	NOK	30X50X7
AA7652E0	NOK	472924*	AB0478E0	NOK	13X28X7!	AB1192E0	NOK	350877	AB1724E0	NOK	223035
AA7652F0	NOK	472924*	AB0514E0	NOK	221410	AB1192E0	NOK	471633!	AB1736E0	NOK	30X55X10
AA7652F0	NOK	472924!	AB0526E0	NOK	14X30X7	AB1194E0	NOK	471646!	AB1770F0	NOK	472475
AA7681E0	NOK	450593	AB0545E	NOK	472705!	AB1232E0	NOK	471571	AB1776F0	NOK	470328!
AA7681E0	NOK	450593!	AB0552F	NOK	472705!	AB1255E0	NOK	24X38X7	AB1776F0	NOK	481213*
AA7687E0	NOK	417474	AB0592E0	NOK	15X28X7	AB1260E0	NOK	24X40X7!	AB1779E0	NOK	471765!
AA7711E0	NOK	471750!	AB0598E0	NOK	221540	AB1274E0	NOK	471648	AB178	JOHND	411253!
AA7723E0	NOK	415254	AB0604E0	NOK	15X32X8	AB1274F0	NOK	471648=	AB1783E0	NOK	471354!
AA7820E0	NOK	416271!	AB0610E0	NOK	15X35X7	AB1292E	NOK	222510	AB1815E	NOK	342186
AA7853E	NOK	417357!	AB0645F0	NOK	471466!	AB1292E	NOK	25X35X7!	AB1826E0	NOK	471413!
AA7853E	NOK	455192*	AB0654E0	NOK	471264!	AB1292W	NOK	222510	AB1830E	NOK	471413!

ALPHABETICAL INTERCHANGE

! Industrial Size/Type * Minor Width Difference

= The U.S. customer service number is 877-4-TIMKEN. The Canadian customer service numbers are 800-565-4927 (English) and 800-565-0438 (French-Canadian).

Zero Duplication or Recommended Industrial		Zero Duplication or Recommended Industrial		Zero Duplication or Recommended Industrial		Zero Duplication or Recommended Industrial					
Mfr. No.	Name	Mfr. No.	Name	Mfr. No.	Name	Mfr. No.	Name				
AB1832F0	NOK	471737	AB2493E0	NOK	42X60X7!	AB3222G0	NOK	2001	AB4184E	NOK	415045!
AB1832F1	NOK	471737	AB2504E0	NOK	224255	AB3224E0	NOK	60X85X8!	AB4184E2	NOK	415045!
AB1838E0	NOK	471766!	AB2507E0	NOK	224255	AB3234E	NOK	60X85X8	AB4212E0	NOK	100X140X13 *
AB1850E	NOK	471801!	AB25252027	IH	472299	AB3234E0	NOK	60X85X12	AB4212E0	NOK	110X140X12
AB1850E1	NOK	471801!	AB2525203	IH	412871!	AB3244E	NOK	60X90X8	AB4212E0	NOK	231108
AB1880E0	NOK	223230	AB2525304	IH	410059	AB3244E0	NOK	60X90X10	AB4228E	NOK	416380!
AB1884E0	NOK	223235	AB2525304	IH	470380!	AB3253E	NOK	470565!	AB4228E0	NOK	416380!
AB1884E0	NOK	32X46X6!	AB2569E0	NOK	474216	AB3253E0	NOK	470565!	AB4255F0	NOK	416888!
AB1894E0	NOK	223240	AB2578	JOHND	476838!	AB3267E0	NOK	410825	AB4262E0	NOK	416892!
AB1894E0	NOK	32X48X8!	AB2594E0	NOK	470334!	AB3290F0	NOK	62X80X10	AB4269E	NOK	415351!
AB1902E0	NOK	223255	AB2600E0	NOK	471141!	AB3297E0	NOK	226285	AB4269E2	NOK	415351!
AB1902E0	NOK	32X52X7!	AB2614E0	NOK	224520	AB3336E0	NOK	471271!	AB4346A0	NOK	231206
AB1904E0	NOK	1167	AB2614E0	NOK	45X60X10!	AB3338E0	NOK	471271!	AB4346E0	NOK	120X150X12
AB1978E0	NOK	34X54X9	AB2641E0	NOK	45X60X7	AB3347F0	NOK	415449!	AB4362E0	NOK	415138!
AB1990E	NOK	482163!	AB2643F0	NOK	224520	AB3352E	NOK	415001!	AB4399A0	NOK	125X155X15
AB1990E0	NOK	482163!	AB2643F0	NOK	45X60X10!	AB3389G0	NOK	65X82X8	AB4404E0	NOK	231255
AB2005E0	NOK	472258!	AB2651F0	NOK	1012N	AB3395E0	NOK	226520	AB4413E	NOK	417273
AB2012F0	NOK	471192	AB2652E0	NOK	1012	AB3409F0	NOK	226530	AB4413E3	NOK	417273
AB2041F0	NOK	223510	AB2652E0	NOK	1012N	AB3446E0	NOK	417082	AB4451A0	NOK	130X160X12
AB2041F0	NOK	35X47X7!	AB2666F0	NOK	224560	AB3459F0	NOK	226850	AB4451A0	NOK	231302
AB2056E	NOK	35X50X8!	AB2668F0	NOK	224560	AB3478F0	NOK	416664!	AB4465E0	NOK	231305
AB2056E0	NOK	223520!	AB2753E0	NOK	472439	AB3487E0	NOK	416282	AB4471X	NOK	416557
AB2057G0	NOK	223520!	AB2773Y0	NOK	224820	AB3513E0	NOK	227040	AB4471X0	NOK	416557
AB2066E0	NOK	223535	AB2773Y0	NOK	48X62X8!	AB3513E0	NOK	70X90X10!	AB4542A0	NOK	231404
AB2069E0	NOK	223535	AB2775E0	NOK	224830	AB3519G0	NOK	227045	AB4581A0	NOK	145X175X15
AB2081E	NOK	35X55X8	AB2775G	NOK	224820	AB3527G0	NOK	70X95X13	AB4624A0	NOK	231502
AB2081E0	NOK	35X55X11!	AB2775G0	NOK	48X62X8!	AB3532G0	NOK	227060	AB4649E	NOK	415072
AB2085F0	NOK	223542	AB2788E0	NOK	1994	AB3537F0	NOK	416921!	AB4649E0	NOK	415072
AB2162E0	NOK	223605	AB2791E0	NOK	1994	AB3562G0	NOK	227240	AB4713A0	NOK	160X190X15
AB2164E0	NOK	223605	AB2838E0	NOK	225010	AB3573E	NOK	416921!	AB4764E	NOK	416229
AB2230E0	NOK	223832	AB2838E0	NOK	50X65X8!	AB3618A4	NOK	75X100X12!	AB4764E0	NOK	416229
AB2231E0	NOK	223832	AB2847G0	NOK	225020	AB3618H0	NOK	227550	AB4795A0	NOK	231705
AB2239E0	NOK	223840	AB2853	NOK	50X70X9	AB3631E0	NOK	75X105X13	AB4835E	NOK	455584
AB2240G0	NOK	1175	AB2853E	NOK	1960	AB3664E0	NOK	415995!	AB4835E0	NOK	455584
AB2240G0	NOK	38X58X8!	AB2853E0	NOK	1960	AB3664E0	NOK	415995*	AB4898A0	NOK	231805
AB2250E0	NOK	223845	AB2853E0	NOK	50X70X8!	AB3665E0	NOK	415995!	AB4974F0	NOK	231905
AB2253720	IH	471466!	AB2854G0	NOK	1189	AB3665E0	NOK	415995*	AB5035E	NOK	415551
AB2267E0	NOK	474276!	AB2861E0	NOK	225030	AB3705E0	NOK	417621!	AB5035E0	NOK	415551
AB2278F	NOK	473227	AB2861E0	NOK	50X72X8!	AB3705E0	NOK	417621*	AB5054G0	NOK	200X230X15!
AB2281G0	NOK	470625!	AB2864G0	NOK	225030	AB3708E0	NOK	416288!	AB5070R	JOHND	410496!
AB2281G0	NOK	470625*	AB2888E0	NOK	225050	AB3732E	NOK	228010	AB5131E0	NOK	210X240X15
AB2298E	NOK	474281*	AB2913E0	NOK	471424!	AB3732E	NOK	80X100X10!	AB5160R	JOHND	417158!
AB2298E	NOK	474281!	AB2919E0	NOK	472492!	AB3732E0	NOK	80X100X10!	AB5204E0	NOK	232205
AB2298E0	NOK	474281!	AB2922F0	NOK	472492*	AB3744H0	NOK	228020	AB5340E	NOK	240X270X16!
AB2298E0	NOK	474281*	AB2922F0	NOK	472492!	AB3744P	NOK	80X105X14!	AB5340EX	NOK	240X270X15!
AB2343E0	NOK	224010	AB2931E0	NOK	472397!	AB3777X	NOK	455336	AB5351A0	NOK	240X280X16
AB2343E0	NOK	40X52X7!	AB2934F0	NOK	472397!	AB3777X1	NOK	455336	AB5398E0	NOK	250X280X15
AB2361G	NOK	224020	AB2955	NOK	1955	AB3796E0	NOK	476470!	AB5560E0	NOK	280X320X20
AB2361G	NOK	40X55X8!	AB2955	NOK	52X65X9!	AB3796E0	NOK	476470*	AB5841A6	NOK	360X400X20
AB2361G0	NOK	224020	AB29551	NOK	225208	AB3809E0	NOK	418028*	AB6764E	NOK	8704S
AB2369F0	NOK	40X58X10!	AB2967E0	NOK	52X75X12	AB3809E0	NOK	418028*	AB6819E0	NOK	340853
AB2375E0	NOK	224040	AB2994E0	NOK	470898	AB3837E0	NOK	85X105X13	AB6922E0	NOK	471733
AB2375E0	NOK	40X60X10!	AB3014E1	NOK	225420	AB3842H0	NOK	228520	AB6922F0	NOK	471733
AB2379F0	NOK	224020	AB3036F0	NOK	55X70X8!	AB3855E0	NOK	85X120X12!	AB6935E	NOK	1010=
AB2386E	NOK	224045	AB3040G0	NOK	225530	AB3891F0	NOK	415991!	AB6957E	NOK	480889*
AB2386E	NOK	40X62X8!	AB3040G0	NOK	55X72X8!	AB3891F0	NOK	455146	AB7017E0	NOK	472705!*
AB2386E0	NOK	224045	AB3053E0	NOK	55X78X10	AB3944E0	NOK	90X125X12	AB7079E0	NOK	416273
AB2386E0	NOK	40X62X12!	AB3055J0	NOK	55X78X10	AB3963E0	NOK	415937!	AB7080E0	NOK	473228!
AB2386E0	NOK	40X62X7	AB3062E0	NOK	225550	AB3994F0	NOK	229510	AB7095E0	NOK	472164!
AB2388F0	NOK	224045	AB3062E0	NOK	55X80X8!	AB4007E0	NOK	229520	AB7101E0	NOK	38X47X8!
AB2390H0	NOK	224045	AB3072F0	NOK	55X85X10	AB4017F0	NOK	415379	AB7109E0	NOK	471341!
AB2405E0	NOK	40X65X10	AB3092E0	NOK	56X72X11.5	AB4020E0	NOK	416339	AB7126E0	NOK	473197=
AB2443Y0	NOK	1181	AB3094E0	NOK	56X78X8	AB4037E0	NOK	416345!	AB7127E0	NOK	471795
AB2443Y0	NOK	41X56X7!	AB3135E0	NOK	412920!	AB4055E0	NOK	100X120X12!	AB7128E0	NOK	471750!
AB2459E0	NOK	473231!	AB3148E0	NOK	225875	AB4055E0	NOK	231002	AB7138E0	NOK	471255!
AB2469E0	NOK	474216	AB3152G0	NOK	225880	AB4063A0	NOK	231003	AB7153E0	NOK	471272!
AB2481Y	NOK	1180	AB3154E0	NOK	225880	AB4109E0	NOK	415035*	AB7166E0	NOK	471570!
AB2481Y	NOK	42X55X8!	AB3165E	NOK	410694!	AB4109E0	NOK	415035!	AB7175E0	NOK	471192
AB2481Y0	NOK	1180	AB3193F0	NOK	60X75X8!	AB4116F0	NOK	417356!	AB718	JOHND	411253!
AB2481Y0	NOK	41X55X7!	AB3195F0	NOK	60X75X8!	AB4150E0	NOK	231053	AB720E0	NOK	481181!
AB2483E0	NOK	224210	AB3204F0	NOK	60X78X8	AB4161E0	NOK	231058	AB7282E0	NOK	416135!
AB2493E0	NOK	1953	AB3220E0	NOK	2001	AB4180E0	NOK	415196!	AB7345E	NOK	472397!

! Industrial Size/Type * Minor Width Difference

= The U.S. customer service number is 877-4-TIMKEN. The Canadian customer service numbers are 800-565-4927 (English) and 800-565-0438 (French-Canadian).

Mfr. No.	Name	Zero Duplication or Recommended Industrial	Mfr. No.	Name	Zero Duplication or Recommended Industrial	Mfr. No.	Name	Zero Duplication or Recommended Industrial	Mfr. No.	Name	Zero Duplication or Recommended Industrial
AB7358E1	NOK	471539! *	AB7809E0	NOK	473204	AB8066E0	NOK	472475	AC0875A0	NOK	19X35X10!
AB7368E0	NOK	481163!	AB7810E0	NOK	472015!	AB8071E0	NOK	471651	AC0897E0	NOK	254270!
AB7375E0	NOK	472560N!	AB7811E0	NOK	472016!	AB8201E0	NOK	471103!	AC0898E0	NOK	1049
AB7391E0	NOK	6863S!	AB7812E0	NOK	473243	AB8201E1	NOK	471103!	AC0913E0	NOK	470954!
AB7408E0	NOK	415960	AB7813E0	NOK	473244	AB8202E0	NOK	472354!	AC0913E1	NOK	470954!
AB7409E0	NOK	473459!	AB7814E0	NOK	472018	AB8202E0	NOK	472354!	AC091300	NOK	470954
AB7410E0	NOK	471138!	AB7815E0	NOK	482020 =	AB8353E0	NOK	471984	AC0923F0	NOK	471554!
AB7446E0	NOK	38X47X8!	AB7816E0	NOK	473245	AB8375E0	NOK	410190	AC0984E0	NOK	20X30X7
AB7621E0	NOK	473237	AB7817E0	NOK	472636!	AB8402E0	NOK	352541	AC0997E0	NOK	222020
AB7625E0	NOK	471818	AB7818E0	NOK	413246!	AB8439E0	NOK	6413S	AC1012E0	NOK	222030
AB764E0	NOK	450536	AB7819E0	NOK	413247!	AB8476E0	NOK	471344	AC1013A0	NOK	222030
AB764E0	NOK	471535!	AB7820E0	NOK	416271!	AB8497E0	NOK	330699!	AC1015	FMC	415088
AB7650E0	NOK	471645	AB7821E0	NOK	470605!	AB8523E0	NOK	473258!	AC1015	FMC	415088!
AB7659E0	NOK	471649!	AB7822E0	NOK	413248	AB8523E1	NOK	473258!	AC10171	COC	473436
AB7673E1	NOK	470380!	AB7823E0	NOK	415483	AB8526E0	NOK	482126	AC10177	OLIVE	473436
AB7674E0	NOK	473233!	AB7823E0	NOK	415483 =	AB8535E0	NOK	410190 *	AC1029E0	NOK	222050
AB7684E0	NOK	471870!	AB7823E0	NOK	415483	AB8759E0	NOK	472164!	AC1030F0	NOK	20X40X10
AB7686E0	NOK	470334!	AB7825E0	NOK	417343!	AB8771E0	NOK	8133S	AC1030F0	NOK	20X40X7!
AB7738E0	NOK	413246!	AB7826E0	NOK	415984!	AB8778E0	NOK	471551!	AC1032F0	NOK	20X40X10
AB7758E0	NOK	471442!	AB7827E0	NOK	417316!	AB8779E0	NOK	481443!	AC1033A0	NOK	20X40X10
AB7759E0	NOK	471472!	AB7828E0	NOK	415303!	AB8931E0	NOK	5124	AC1038E0	NOK	20X42X10
AB7760E0	NOK	471564	AB7829E0	NOK	417344!	AB8932E0	NOK	9569S	AC1038E0	NOK	20X42X10
AB7761E0	NOK	471567!	AB7830E0	NOK	417158!	AB8935E0	NOK	471688	AC1048F0	NOK	20X47X7
AB7762E0	NOK	471643!	AB7831E0	NOK	417349!	ABB013B0	NOK	52X65X9!	AC1048F0	NOK	222075
AB7762E1	NOK	471643!	AB7832E0	NOK	417350!	ABB587A0	NOK	17X28X7	AC1059E0	NOK	20X52X7
AB7763E0	NOK	471570!	AB7833E0	NOK	417351!	ABX69660	JOHND	240215	AC1070E0	NOK	471539
AB7764E0	NOK	470590	AB7834E0	NOK	417171!	AC0105E0	NOK	350364	AC10801	OLIVE	472409
AB7765E0	NOK	471689!	AB7835E0	NOK	417172	AC0105E1	NOK	350364	AC11259	DRESS	471820
AB7766E0	NOK	471692!	AB7836E0	NOK	417181!	AC0105H0	NOK	350364	AC11259	EL-MO	471820
AB7767E0	NOK	470712!	AB7837E0	NOK	417353!	AC0123E1	NOK	10X25X7	AC11259	WAYNE	471820
AB7768E0	NOK	473203	AB7838E0	NOK	416294!	AC0134F0	NOK	220860	AC1126F0	NOK	222220
AB7769E0	NOK	472475	AB7840E0	NOK	417191	AC0134F0	NOK	8X16X7!	AC11436	COC	455356
AB7770E0	NOK	473205!	AB7841E0	NOK	417354!	AC0205A0	NOK	9X22X7	AC11436	OLIVE	455356
AB7771E0	NOK	473210!	AB7842E0	NOK	416624!	AC0205E0	NOK	9X22X7	AC11436	WHITE	455356
AB7772E0	NOK	473211	AB7843E0	NOK	417196!	AC0224F0	NOK	330385!	AC1148A0	NOK	22X42X10
AB7773E0	NOK	473212	AB7844E0	NOK	415437	AC0224F1	NOK	330385!	AC1148E0	NOK	22X42X10
AB7774E0	NOK	473213	AB7845E0	NOK	416130!	AC0227E0	NOK	350156	AC1148E0	NOK	22X42X10
AB7775E0	NOK	473214!	AB7845E0	NOK	486130 =	AC0227E0	NOK	473096!	AC11498	WAYNE	473214!
AB7776E0	NOK	473215!	AB7845E0	NOK	416332 *	AC0227E1	NOK	350156	AC11501	WAYNE	450165
AB7777E0	NOK	473224!	AB7845E0	NOK	416332!	AC0227E1	NOK	473096!	AC11501	WAYNE	471801!
AB7778E0	NOK	473016!	AB7846E0	NOK	417355!	AC0308E0	NOK	11X22X7	AC1172E0	NOK	5076
AB7779E0	NOK	473225!	AB7847E0	NOK	416125!	AC0387E0	NOK	12X28X7	AC1172E0	NOK	5076
AB7780E0	NOK	473226	AB7848E0	NOK	416041	AC0442F1	NOK	330699!	AC11805	COC	412871!
AB7781E0	NOK	473227!	AB7849E0	NOK	417205!	AC0456E0	NOK	471526!	AC11805	OLIVE	412871!
AB7782E0	NOK	470380!	AB7850E0	NOK	417211!	AC0514E0	NOK	221410	AC1181E0	NOK	471267!
AB7783E0	NOK	473228!	AB7851E0	NOK	415697!	AC0526A0	NOK	14X30X7	AC1260A0	NOK	222430
AB7784E0	NOK	472213	AB7852E0	NOK	417366!	AC0545E0	NOK	471281!	AC1260A0	NOK	24X40X7!
AB7785E0	NOK	472299	AB7853E0	NOK	417357	AC0559E0	NOK	472705!	AC1314A0	NOK	222540
AB7786E0	NOK	473229!	AB7855E0	NOK	472157	AC0598A0	NOK	221540	AC1314A0	NOK	25X40X7!
AB7787E0	NOK	470682	AB7855E0	NOK	416556!	AC0603E0	NOK	15X32X8	AC1350E0	NOK	222560
AB7788E0	NOK	473230!	AB7855E0	NOK	472157 *	AC0610F0	NOK	15X35X7	AC1363E0	NOK	25X50X10
AB7789E0	NOK	473010!	AB7855E0	NOK	472157 *	AC0611E0	NOK	15X35X7	AC1372F0	NOK	25X52X8
AB7790E0	NOK	473232!	AB7856E0	NOK	416891!	AC0620E0	NOK	471532	AC1372F0	NOK	25X52X10
AB7791E0	NOK	473233!	AB7856E0	NOK	416891!	AC0639E0	NOK	351487	AC1419E0	NOK	471224!
AB7792E0	NOK	473234!	AB7857E0	NOK	416153!	AC0639E0	NOK	351487	AC1474A0	NOK	26X42X10
AB7793E0	NOK	473235!	AB7857E0	NOK	416153!	AC0644E0	NOK	471466!	AC1476E0	NOK	26X45X8
AB7794E0	NOK	473236!	AB7858E0	NOK	417247!	AC0649E0	NOK	471466!	AC1543E0	NOK	28X42X8!
AB7795E0	NOK	473237!	AB7858E0	NOK	417247!	AC0654E0	NOK	471264!	AC1583	KOHL	471354!
AB7796E0	NOK	472185!	AB7859E0	NOK	415725!	AC0678E0	NOK	16X26X7	AC1598E0	NOK	3638 *
AB7797E0	NOK	472179	AB7859E0	NOK	415725!	AC0684E1	NOK	16X28X7	AC1598E0	NOK	471652
AB7798E0	NOK	472439	AB7860E0	NOK	470625!	AC0684E1	NOK	221610	AC1599E0	NOK	471652
AB7799E0	NOK	472572!	AB7860E0	NOK	470625!	AC0687E0	NOK	221620	AC1665E0	NOK	30X42X7!
AB7800E0	NOK	473238!	AB7892E0	NOK	471270	AC0721E0	NOK	481481	AC1665E0	NOK	1970
AB7801E0	NOK	473239!	AB7897E0	NOK	450375!	AC0736E0	NOK	221710	AC1666E0	NOK	1970
AB7802E0	NOK	473240	AB7897E0	NOK	6936S!	AC0742E0	NOK	221720	AC1679A0	NOK	1981
AB7803E0	NOK	472319	AB7897E0	NOK	9845	AC0745E0	NOK	221720	AC1682E0	NOK	223014 *
AB7804E0	NOK	473241	AB7934E0	NOK	6370N	AC0750E1	NOK	221730	AC1691	OLIVE	471692!
AB7805E0	NOK	472144!	AB7938E0	NOK	473447	AC0758E0	NOK	17X35X7	AC1709A0	NOK	30X50X7
AB7806E0	NOK	472394	AB7940E0	NOK	470530!	AC0759H0	NOK	17X35X7	AC1719E0	NOK	30X52X7
AB7807E0	NOK	6936S	AB8036E0	NOK	471354!	AC0760A0	NOK	17X35X7	AC1748G0	NOK	30X62X7
AB7807E0	NOK	6936S	AB8036F0	NOK	471354 =	AC0771F0	NOK	17X40X7	AC1765F0	NOK	30X72X10
AB7808E0	NOK	473242	AB8065E0	NOK	471442!	AC0829A0	NOK	18X35X7			

ALPHABETICAL INTERCHANGE

! Industrial Size/Type * Minor Width Difference

= The U.S. customer service number is 877-4-TIMKEN. The Canadian customer service numbers are 800-565-4927 (English) and 800-565-0438 (French-Canadian).

Zero Duplication or Recommended Industrial		Zero Duplication or Recommended Industrial		Zero Duplication or Recommended Industrial		Zero Duplication or Recommended Industrial					
Mfr. No.	Name	Mfr. No.	Name	Mfr. No.	Name	Mfr. No.	Name				
AC1824E0	NOK	7412S	AC2864K0	NOK	225030	AC7071E0	NOK	352444!	AD0451E0	NOK	471442!
AC1838E0	NOK	471766!	AC2888E0	NOK	225050	AC7126E	NOK	353135	AD0456E0	NOK	471526!
AC1841E0	NOK	471766!	AC2908E0	NOK	352541	AC7126E	NOK	474278!	AD0554E	NOK	471551!
AC1853	KOHL	471354!	AC2964K0	NOK	225030	AC7126E0	NOK	353135	AD0598G0	NOK	221540
AC1880E0	NOK	223230	AC2967A0	NOK	52X75X12	AC7126E0	NOK	474278!	AD0638G0	NOK	7188S
AC1902E0	NOK	223255	AC2980E0	NOK	451948	AC7174E	NOK	471689!	AD0639E	NOK	351487
AC1904A0	NOK	1167	AC2980E0	NOK	472579!	AC7175E	NOK	471192	AD0645G0	NOK	471466!
AC2005E0	NOK	472258	AC3040A0	NOK	225530	AC7176E	NOK	473234!	AD0646E0	NOK	471466!
AC2007E0	NOK	6760S	AC3040A0	NOK	55X72X8!	AC7269E0	NOK	471750	AD0654E0	NOK	471264!
AC2016F0	NOK	473214!	AC3055A0	NOK	55X78X10	AC7640E0	NOK	330385!	AD0657E0	NOK	471255!
AC2016F0	NOK	473214*	AC3072E0	NOK	225560	AC7669E0	NOK	471570!	AD0660F0	NOK	471612
AC2056E0	NOK	223520!	AC3072E0	NOK	55X85X10	AC7695E0	NOK	471276*	AD0678E	NOK	16X26X7
AC2057A	NOK	35X50X8!	AC3139E0	NOK	471272!	AC7696E0	NOK	470596	AD0678F0	NOK	16X26X7
AC2057A0	NOK	223520!	AC3147E	NOK	710136	AC7717E0	NOK	35X80X8	AD0685F0	NOK	221610
AC2057F0	NOK	223520!	AC3154A0	NOK	225880	AC7758E0	NOK	471442!	AD0687H0	NOK	221620
AC2065E0	NOK	35X52X8!	AC3204G	NOK	226018	AC7868E0	NOK	8X22X7!	AD0722F	NOK	481481*
AC2069E0	NOK	223535	AC3204G0	NOK	60X78X8	AC7873E0	NOK	481481	AD0723F0	NOK	17X35X7
AC2083J	NOK	223540	AC3222A0	NOK	2001	AC8004E0	NOK	351487	AD0745E1	NOK	221720
AC2084E	NOK	223542	AC3222E8	NOK	60X82X12!	AC81	FMC	415645!	AD0750F	NOK	221730
AC2084E	NOK	35X55X8!	AC3244E0	NOK	60X90X10	AC81	FMC	455104	AD0750F0	NOK	17X32X7!
AC2084E0	NOK	35X55X11!	AC3260E1	NOK	413247!	AC81	LK-BT	415645!	AD0751F	NOK	221730
AC2085A0	NOK	223542	AC3280E0	NOK	411500	AC81	LK-BT	455104	AD0751F0	NOK	221730
AC2162E0	NOK	223605	AC3297A0	NOK	226285	AC8202E0	NOK	472354!	AD0759E0	NOK	17X35X7
AC2205E	NOK	4989	AC3311A	OLIVE	476838!	AC8221E0	NOK	353120	AD0783F0	NOK	471529
AC2205E	NOK	710209	AC3409A0	NOK	226530	AC8226E0	NOK	473224!	AD0897E0	NOK	254270!
AC2205F	NOK	4989	AC3459A0	NOK	226850	AC8368E	NOK	710076	AD0900E0	NOK	254270!
AC2205F	NOK	710209	AC3505E0	NOK	227020	AC8368E0	NOK	710076	AD0913F0	NOK	470954!
AC2206E0	NOK	4989	AC3505E0	NOK	70X88X12	AC8419F	NOK	223240	AD0913F1	NOK	470954!
AC2218E0	NOK	223800	AC3519A	NOK	70X92X12	AC8419F	NOK	32X48X8!	AD0923F0	NOK	471554!
AC2222E	NOK	38X52X8.5!	AC3519A0	NOK	227045	AC8419F0	NOK	223240	AD0953F0	NOK	481443!
AC2222E0	NOK	38X52X7!	AC3527A0	NOK	70X95X13	AC8419F0	NOK	32X48X8!	AD0997H1	NOK	20X32X7!
AC2230E0	NOK	223832	AC3618E0	NOK	227550	AC8471E0	NOK	480210!	AD1012F2	NOK	222030
AC2240A0	NOK	1175	AC3732E	NOK	228010	AC8474E0	NOK	472354!	AD1013E0	NOK	222030
AC225374	IH	473010!	AC3732E	NOK	80X100X10!	AC8474F0	NOK	472354!	AD1015F0	NOK	222030
AC2253743	IH	450165	AC3732E1	NOK	80X100X10!	AC8491F0	NOK	32X48X8!	AD1032F0	NOK	20X40X10
AC2253743	IH	471801!	AC3744A	NOK	80X105X14!	AC8570W	NOK	1214	AD1033F0	NOK	20X40X10
AC2269E0	NOK	481163!	AC3744A0	NOK	228020	AC8570W	NOK	1214N	AD1127E0	NOK	222220
AC2272E0	NOK	480630!	AC3744A0	NOK	80X105X13!	AC8570W0	NOK	1214	AD1127G0	NOK	22X35X7
AC2296E0	NOK	473440!	AC3842G0	NOK	228520	AC8570W0	NOK	1214N	AD1147F0	NOK	22X42X10
AC2304G0	NOK	226018	AC3844A	NOK	228020	AC8570W0	NOK	43X55X8!	AD1172E0	NOK	7840S
AC2310E	NOK	1128	AC3844A	NOK	80X105X13!	AC9191	COC	450621	AD1181H0	NOK	471267!
AC2310E0	NOK	1128	AC3888E	NOK	416624!	AC9191	OLIVE	450621	AD1181H0	NOK	471267!
AC2318E0	NOK	473517!	AC3888E0	NOK	416624!	AC9191	WHITE	450621	AD1181J0	NOK	471267!
AC2322E0	NOK	473441	AC3932A0	NOK	90X115X12	AC9338	OLIVE	5976S	AD1190F0	NOK	471570!
AC2343E	NOK	1217	AC396	LK-BT	415072	AC9546	COC	472185!	AD1190F0	NOK	471570*
AC2343E0	NOK	224010	AC3994E0	NOK	229510	AC9546	OLIVE	472185!	AD1194E0	NOK	471646!
AC2343E0	NOK	40X52X7!	AC4007E0	NOK	229520	ACA4000	LEYLD	471192	AD1198F0	NOK	471730
AC2361E	NOK	224020	AC4063G2	NOK	231003	ACC060A0	NOK	20X35X7!	AD1250R	JOHND	415995!
AC2361E	NOK	40X55X8!	AC4212E0	NOK	231108	ACC178A0	NOK	45X62X8!	AD1251R	JOHND	416654!
AC2361E0	NOK	224020	AC4282F0	NOK	115X145X14	ACC370A0	NOK	20X52X7	AD1260R	JOHND	416339
AC2369A0	NOK	40X58X10!	AC4282I0	NOK	115X145X15	ACC394A1	NOK	35X47X7!	AD1260R	JOHND	455031!
AC2375E0	NOK	224040	AC4346F0	NOK	120X150X12	ACC434B0	NOK	223550	AD1268	JOHND	416339
AC2379E0	NOK	224040	AC4346F0	NOK	231206	ACC464A0	NOK	15X35X7	AD1268	JOHND	455031!
AC2379E0	NOK	40X60X10!	AC4451F2	NOK	130X160X12	ACC479A0	NOK	70X90X10!	AD1306H1	NOK	222535
AC2388A0	NOK	224045	AC4451F2	NOK	231302	ACC522A0	NOK	25X42X10	AD1307E0	NOK	222535
AC2390E0	NOK	224045	AC4484E	NOK	417262!	ACC522A0	NOK	25X42X8!	AD1314F0	NOK	222541
AC2493E0	NOK	1953	AC4484E0	NOK	417262!	ACC542A0	NOK	17X30X7	AD1337F0	NOK	25X45X8
AC2576F0	NOK	6703S	AC4542E0	NOK	231404	ACC628A1	NOK	12X26X7	AD1351E1	NOK	222560
AC2643E0	NOK	224520	AC4568E	NOK	417555!	ACC635A0	NOK	28X40X7!	AD1358E0	NOK	222820
AC2651F0	NOK	45X62X8!	AC4568E0	NOK	417555!	ACC639A0	NOK	35X52X8!	AD1377	JOHND	450593!
AC2668A0	NOK	224560	AC4581E0	NOK	145X175X15	ACC640A0	NOK	17X40X7	AD1403E0	NOK	252277
AC2774F0	NOK	224830	AC4624E1	NOK	231502	ACC646A0	NOK	30X47X7!	AD1407E0	NOK	472311!
AC2774F0	NOK	48X62X8!	AC4672E0	NOK	155X190X15	ACC656A0	NOK	60X80X8!	AD1410F1	NOK	471224!
AC2775F	NOK	224820	AC4713E0	NOK	160X190X15	ACC752A0	NOK	85X130X13	AD1410G0	NOK	471224!
AC2775F0	NOK	48X62X8!	AC484	LK-BT	415066	ACC7538	FRUEH	H075	AD1410H0	NOK	471224!
AC2780E0	NOK	1973	AC4898E0	NOK	180X210X15	ACC956A0	NOK	25X62X10	AD1412F0	NOK	471224!
AC2780E0	NOK	48X65X10!	AC4975E0	NOK	231905	ACF4004	LEYLD	1035=	AD1412F0	NOK	471224*
AC2791A0	NOK	1994	AC5204E1	NOK	232205	AD0227E0	NOK	350156	AD1430E	NOK	471649!
AC2847E0	NOK	225020	AC6763E0	NOK	471192	AD0227E0	NOK	473096!	AD1430F	NOK	471649!
AC2854E0	NOK	1189	AC6897E0	NOK	17X29X7	AD0325E	NOK	472810!	AD1430F1	NOK	471649!
AC2861E0	NOK	225030	AC6900E0	NOK	471442!	AD0325F0	NOK	472810!	AD1431F	NOK	471649!
AC2861E0	NOK	50X72X8!	AC7071E0	NOK	3395	AD0371E0	NOK	12X22X7!	AD1446E0	NOK	471760

! Industrial Size/Type * Minor Width Difference

= The U.S. customer service number is 877-4-TIMKEN. The Canadian customer service numbers are 800-565-4927 (English) and 800-565-0438 (French-Canadian).

OIL SEALS

AD1469E0 – AD7092E0

Mfr. No.	Name	Zero Duplication or Recommended Industrial	Mfr. No.	Name	Zero Duplication or Recommended Industrial	Mfr. No.	Name	Zero Duplication or Recommended Industrial	Mfr. No.	Name	Zero Duplication or Recommended Industrial
AD1469E0	NOK	26X40X7!	AD2390I0	NOK	224045	AD3222H1	NOK	60X82X12!	AD4017F	NATSU	415379
AD1598E0	NOK	471652	AD2398E	NOK	1216	AD3222I0	NOK	2001	AD4019E0	NOK	415035
AD1598F0	NOK	471652=	AD2398E	NOK	1216N	AD3224E0	NOK	2001	AD4019E0	NOK	415035!
AD1598F1	NOK	471652	AD2398G0	NOK	1216	AD3253E0	NOK	470565!	AD4020E	NATSU	416339
AD1598F2	NOK	471652	AD2398G0	NOK	1216N	AD3259E0	NOK	413247!	AD4020E0	NOK	416339
AD1617E0	NOK	471763	AD2402E	NOK	474161	AD3297F0	NOK	226285	AD4037E	NATSU	416345!
AD1617F0	NOK	471763	AD2402E0	NOK	40X65X10	AD3338E0	NOK	471271!	AD4037E0	NOK	416345!
AD1623E	NOK	1989	AD2403I0	NOK	40X65X10	AD3338F	NOK	471271!	AD4063A0	NOK	231003
AD1623E0	NOK	1989	AD2405E0	NOK	40X65X10	AD3338F0	NOK	471271!	AD4095E	NOK	417506
AD1636E	NOK	474260!	AD2459E	NOK	1192	AD3347E	NATSU	415449!	AD4095E0	NOK	417506
AD1666E	NOK	1970	AD2459E0	NOK	1192	AD3347E0	NOK	415449!	AD4109E	NATSU	415035
AD1671G0	NOK	223012	AD2480E	NOK	42X55X8!	AD3388	NOK	65X82X8	AD4109E0	NOK	415035*
AD1671G0	NOK	30X44X7!	AD2480E0	NOK	42X55X8!	AD3388E	NOK	710094	AD4109E0	NOK	415035!
AD1679G0	NOK	223014	AD2482E	NOK	224200	AD3388E0	NOK	710094	AD4116E	NATSU	417356!
AD1699E0	NOK	30X48X8	AD2493E0	NOK	42X60X7!	AD3400L0	NOK	65X88X10	AD4116E0	NOK	417506
AD1705E0	NOK	30X50X7	AD2507H0	NOK	42X65X10!	AD3400L0	NOK	65X88X8!	AD4180E	NATSU	415196!
AD1709E0	NOK	30X50X7	AD2507I0	NOK	224255	AD3409J0	NOK	226530	AD4180E	NATSU	475196=
AD1779E0	NOK	471765!	AD2527E0	NOK	473317	AD3409J0	NOK	65X90X10!	AD4180E0	NOK	415196!
AD1820E0	NOK	322353	AD2528E0	NOK	470460	AD3440E0	NOK	415458	AD4212A0	NOK	231108
AD1820E0	NOK	474278!	AD2565E	NOK	710283	AD3459E0	NOK	68X90X10!	AD4255E	NATSU	416888!
AD1826F0	NOK	471413!	AD2599F0	NOK	472179	AD3459H0	NOK	226850	AD4255F1	NOK	416888!
AD1828E0	NOK	471413!	AD2604E0	NOK	471984	AD3478E	NATSU	416664!	AD4262E	NATSU	416892!
AD1832E0	NOK	471737	AD2643G0	NOK	224520	AD3478E0	NOK	416664!	AD4262E0	NOK	416892!
AD1836E0	NOK	470706=	AD2651G0	NOK	1185	AD3480E0	NOK	415984!	AD4329E0	NOK	120X140X13
AD1838E0	NOK	471766!	AD2655F	NOK	1992	AD3505H0	NOK	227020	AD4346A0	NOK	231206
AD1841F0	NOK	471766!	AD2655F0	NOK	1992	AD3519K	NOK	70X92X12	AD4362E	NATSU	415138!
AD1841F0	NOK	471766*	AD2655F0	NOK	45X65X8!	AD3519K0	NOK	227045	AD4362E0	NOK	415138!
AD1894E0	NOK	223240	AD2666F0	NOK	45X68X7!	AD3527H0	NOK	70X95X13	AD4370E	NOK	415066
AD1904F0	NOK	1167	AD2668G0	NOK	224560	AD3532E0	NOK	227060	AD4370E0	NOK	415066
AD1929F0	NOK	710070	AD2685E0	NOK	224570	AD3553E0	NOK	417485	AD4399A0	NOK	125X155X15
AD2002E	NOK	1097N	AD2752E0	NOK	472439	AD3573E	NATSU	416921!	AD4443G	NOK	130X150X15
AD2002E0	NOK	1097N	AD2763Y	NOK	1959	AD3573E0	NOK	416921!	AD4443G0	NOK	130X150X10
AD2005G	NOK	472258!	AD2763Y0	NOK	1959	AD3574F0	NOK	416921!	AD4451A0	NOK	231302
AD2005G0	NOK	472258!	AD2780G0	NOK	224820	AD3589E	NOK	416654	AD4524E	NOK	416107!
AD2005G1	NOK	472258!	AD2791E0	NOK	1994	AD3589E0	NOK	416654	AD4524E1	NOK	416107!
AD2005G2	NOK	472258!	AD2791J0	NOK	712010	AD3590E0	NOK	416654!	AD4542A0	NOK	140X170X15
AD2007F	NOK	470774!	AD2838F0	NOK	225010	AD3618I0	NOK	227550	AD4542A0	NOK	231404
AD2007F0	NOK	470774!	AD2838F1	NOK	225010	AD3664E	NATSU	415995!	AD4581A0	NOK	145X175X15
AD2066E0	NOK	223535	AD2847F0	NOK	50X68X8!	AD3664E0	NOK	415995*	AD4601E	NOK	416666
AD2066E0	NOK	35X52X8!	AD2862E0	NOK	225035	AD3664E0	NOK	415995!	AD4601E0	NOK	416666
AD2077E	NOK	35X54X8!	AD2864G0	NOK	225035	AD3673E	NOK	417487!	AD4624A0	NOK	231502
AD2081G	NOK	35X55X8!	AD2867F0	NOK	225035	AD3673E	NOK	417487*	AD4654E	NOK	415072
AD2081G0	NOK	35X55X11!	AD2888F0	NOK	50X80X8	AD3673E0	NOK	417487!	AD4654E0	NOK	415072
AD2085G0	NOK	223542	AD2913E0	NOK	471424!	AD3673E0	NOK	417487*	AD4713A0	NOK	160X190X15
AD2085N	NOK	35X55X8!	AD2913F	NOK	471424!	AD3675E	NOK	417488!	AD4795A0	NOK	170X200X15
AD2085N0	NOK	35X55X11!	AD2919E	NOK	472492!	AD3675E0	NOK	417488!	AD4795A0	NOK	231705
AD2107E0	NOK	35X60X10!	AD2919F0	NOK	472492!	AD3704E	NOK	416404!	AD4898A0	NOK	231805
AD2107E0	NOK	710201	AD2919G0	NOK	472492=	AD3704E0	NOK	416404!	AD4898A3	NOK	180X210X15
AD2132F	NOK	473258	AD2920F0	NOK	472492!	AD3705E	NATSU	417621!	AD5283A0	NOK	230X260X15
AD2132F0	NOK	35X62X10	AD2920F1	NOK	472492!	AD3705E0	NOK	417621!	AD5341E	NOK	240X270X16!
AD2230I0	NOK	223832	AD2931F0	NOK	472397!	AD3705E0	NOK	417621*	AD5341E0	NOK	240X270X15!
AD2230W0	NOK	38X55X7!	AD2942E0	NOK	410102	AD3706F	NOK	417621	AD5843E0	NOK	360X400X20
AD2240I0	NOK	1175	AD2955Y	NOK	1955	AD3706F0	NOK	417621	AD6299E0	NOK	471733
AD2240K0	NOK	38X58X8!	AD2955Y	NOK	52X65X9!	AD3708E	NATSU	416288!	AD6787E0	NOK	473197!
AD2261G	NOK	1177	AD2955Y0	NOK	1955	AD3708E0	NOK	416288!	AD6787E0	NOK	473197*
AD2261G0	NOK	1177	AD2955Y0	NOK	52X65X9!	AD3744J0	NOK	228020	AD6789E	NOK	473235!
AD2261H	NOK	1177	AD2967E0	NOK	52X75X12	AD3795E	NOK	476470	AD6789E0	NOK	473235!
AD2267E0	NOK	474276!	AD2994E0	NOK	470898	AD3796E	NATSU	476470	AD6858E0	NOK	5206
AD2322E0	NOK	473441	AD3000E0	NOK	472015!	AD3796E0	NOK	476470	AD6890E	NOK	27X47X8
AD2323E0	NOK	473442!	AD3005F0	NOK	472409!	AD3809E	NATSU	418028	AD6890E0	NOK	27X47X10
AD2343E0	NOK	224015	AD3005F1	NOK	472409!	AD3809E0	NOK	418028*	AD6922E	NOK	471733
AD2353Y	NOK	1213N	AD3040F0	NOK	225530	AD3809E0	NOK	418028!	AD6942E0	NOK	471231!
AD2353Y0	NOK	1213N	AD3055H0	NOK	55X78X10	AD3842I0	NOK	228520	AD7049Y	NOK	710051
AD2353Y0	NOK	40X54X6!	AD3135E	NATSU	412920!	AD3891E	NATSU	415991	AD7049Y0	NOK	35X47X7!
AD2359G	NOK	224020	AD3135E0	NOK	412920!	AD3891E	NATSU	476414=	AD7049Y0	NOK	710051
AD2359G0	NOK	224020	AD3135E1	NOK	412920!	AD3891E0	NOK	415991	AD7079E	NATSU	416273=
AD2359G0	NOK	224020	AD3148E0	NOK	225875	AD3932J0	NOK	90X115X12	AD7079E	NATSU	416273
AD2369F0	NOK	40X58X10!	AD3154F0	NOK	225880	AD3963E	NATSU	415937!	AD7079E0	NOK	416273
AD2375F	NOK	710147	AD3154F0	NOK	58X80X8	AD3963E0	NOK	415937!	AD7079E0	NOK	416273
AD2375F0	NOK	40X60X10!	AD3167E0	NOK	472150=	AD3994G0	NOK	229510	AD7079F0	NOK	416273
AD2375F0	NOK	710147	AD3193F0	NOK	60X75X8!	AD3994J2	NOK	95X120X12!	AD7079R	NOK	416273
AD2388E0	NOK	224045	AD3204E0	NOK	60X78X8	AD4017E0	NOK	415379	AD7092E0	NOK	472164!

! Industrial Size/Type * Minor Width Difference

= The U.S. customer service number is 877-4-TIMKEN. The Canadian customer service numbers are 800-565-4927 (English) and 800-565-0438 (French-Canadian).

ALPHABETICAL INTERCHANGE

Zero Duplication or Recommended Industrial		Zero Duplication or Recommended Industrial		Zero Duplication or Recommended Industrial		Zero Duplication or Recommended Industrial		
Mfr. No.	Name	Mfr. No.	Name	Mfr. No.	Name	Mfr. No.	Name	
AD7095E0	NOK	472164!	AD7770E0	NOK	473205!	AD7828E0	NOK	415303!
AD7095E1	NOK	472164!	AD7771E0	NOK	473210!	AD7829E0	NATSU	417344!
AD7095F0	NOK	472164!	AD7772E0	NOK	473211!	AD7829E0	NOK	417344!
AD7096E0	NOK	470712!	AD7773E0	NOK	473212!	AD7830E0	NATSU	417158!
AD7110E0	NOK	471276=	AD7774E0	NOK	473213!	AD7830E0	NOK	417158!
AD7111E1	NOK	471538!	AD7775E0	NOK	473214!	AD7831E0	NATSU	417349!
AD7127E0	NOK	471795!	AD7776E0	NOK	473215!	AD7831E0	NOK	417349!
AD7127E1	NOK	471795!	AD7777E0	NOK	473224!	AD7832E0	NATSU	417350!
AD7149E0	NOK	472324!	AD7778E0	NOK	473016!	AD7832E0	NOK	417350!
AD7151E0	NOK	472179!	AD7779E0	NOK	473225!	AD7833E0	NATSU	417351!
AD7153F0	NOK	471272!	AD7780E0	NOK	473226!	AD7833E0	NOK	417351!
AD7175E0	NOK	471192!	AD7781E0	NOK	473227!	AD7834E0	NATSU	417171!
AD7268E0	NOK	471764*	AD7782E0	NOK	470380!	AD7834E0	NOK	417171!
AD7268E0	NOK	471764!	AD7782E1	NOK	470380!	AD7835E0	NOK	417172!
AD7268E0	NOK	471764!	AD7783E0	NOK	473228!	AD7836E0	NATSU	417181!
AD7268E0	NOK	471764*	AD7784E0	NOK	472213!	AD7836E0	NOK	417181!
AD7282E0	NATSU	416135!	AD7785E0	NOK	472299!	AD7837E0	NATSU	417353!
AD7282E0	NATSU	476135=	AD7786E0	NOK	473229!	AD7837E0	NOK	417353!
AD7282E0	NOK	416135!	AD7787E0	NOK	470682!	AD7838E0	NATSU	416294!
AD7408E0	NOK	415960!	AD7787E0	NOK	470682!	AD7838E0	NOK	416294!
AD7410E0	NOK	471138!	AD7788E0	NOK	473230!	AD7839E0	NATSU	412473!
AD7410E1	NOK	471138!	AD7789E0	NOK	473010!	AD7839E0	NOK	412473*
AD7553E0	NOK	322353!	AD7790E0	NOK	473232!	AD7839E0	NOK	412473!
AD7553E0	NOK	474278!	AD7791E0	NOK	473233!	AD7839E1	NOK	412473*
AD7591E0	NOK	453065!	AD7792E0	NOK	473234!	AD7839E1	NOK	412473!
AD7613E0	NOK	412861!	AD7793E0	NOK	473235!	AD7840E0	NATSU	417191!
AD7625E0	NOK	471818!	AD7794E0	NOK	473236!	AD7840E0	NOK	417191!
AD7643E0	NOK	471612!	AD7795E0	NOK	473237!	AD7841E0	NATSU	417354!
AD7646E0	NOK	472649!	AD7796E0	NOK	472185!	AD7841E0	NOK	417354!
AD7646E1	NOK	472649!	AD7797E0	NOK	472179!	AD7842E0	NATSU	416624!
AD7647E0	NOK	472951!	AD7798E0	NOK	472439!	AD7842E0	NOK	416624!
AD7647E0	NOK	474252*	AD7799E0	NOK	472572!	AD7843E0	NATSU	417196!
AD7651E0	NOK	472950*	AD7800E0	NOK	473238!	AD7843E0	NOK	417196!
AD7653E0	NOK	477104=	AD7801E0	NOK	473239!	AD7844E0	NATSU	415437!
AD7654E0	NOK	473380!	AD7802E0	NOK	473240!	AD7844E0	NATSU	475437=
AD7656E0	NOK	472655!	AD7803E0	NOK	472319!	AD7844E0	NOK	415437!
AD7657E1	NOK	472953!	AD7804E0	NOK	473241!	AD7845E0	NATSU	416332!
AD7658E0	NOK	473243!	AD7805E0	NOK	472144!	AD7845E0	NOK	416332!
AD7662E0	NOK	472644!	AD7806E0	NOK	473234!	AD7845E0	NOK	416332*
AD7665E0	NOK	471904*	AD7807E0	NOK	472924!	AD7846E0	NATSU	417355!
AD7666E0	NOK	473427!	AD7808E0	NOK	473242!	AD7846E0	NOK	417355!
AD7667E0	NOK	470596!	AD7809E0	NOK	473204!	AD7847E0	NATSU	416125!
AD7668E0	NOK	476820!	AD7810E0	NOK	472015!	AD7847E0	NOK	416125!
AD7670E0	NOK	477105=	AD7810F0	NOK	472015=	AD7848E0	NATSU	476041=
AD7671E0	NOK	476808=	AD7811E0	NOK	473517!	AD7848E0	NOK	416041!
AD7678E0	NOK	472660!	AD7812E0	NATSU	473243!	AD7849E0	NATSU	417205!
AD7679E0	NOK	476878=	AD7812E0	NOK	473243!	AD7849E0	NOK	417205!
AD7680E0	NOK	472954!	AD7813E0	NOK	473244!	AD7850E0	NATSU	417211!
AD7683E0	NOK	472653!	AD7814E0	NOK	472018!	AD7850E0	NOK	417211!
AD7699E0	NOK	470606!	AD7815E0	NOK	472020!	AD7851E0	NATSU	415697!
AD7699E0	NOK	470606!	AD7816E0	NOK	473245!	AD7851E0	NOK	415697!
AD7700E0	NOK	710410!	AD7817E0	NOK	472636!	AD7852E0	NATSU	417366!
AD7705E0	NOK	470806*	AD7818E0	NATSU	413246!	AD7852E0	NOK	417366!
AD7706E0	NOK	472651=	AD7818E0	NOK	413246!	AD7853E0	NATSU	417357!
AD7707E0	NOK	472642!	AD7819E0	NATSU	413247!	AD7853E0	NOK	417357!
AD7708E0	NOK	471276!	AD7819E0	NOK	413247!	AD7854E0	NATSU	416130!
AD7709E0	NOK	471281!	AD7820E0	NATSU	416271!	AD7854E0	NATSU	476130=
AD7710E0	NOK	473197!	AD7820E0	NOK	416271!	AD7854E0	NOK	416130!
AD7710E0	NOK	473197*	AD7820E1	NOK	416271=	AD7855E0	NATSU	472157!
AD7758E0	NOK	471442!	AD7821E0	NOK	470605!	AD7855E0	NATSU	476556=
AD7759E0	NOK	471472!	AD7822E0	NATSU	413248!	AD7855E0	NOK	416556!
AD7760E0	NOK	471564!	AD7822E0	NOK	413248!	AD7855E0	NOK	472157*
AD7761E0	NOK	471567!	AD7823E0	NATSU	415483=	AD7856E0	NATSU	416891!
AD7762E0	NOK	471643!	AD7823E0	NATSU	415483!	AD7856E0	NOK	416891!
AD7763E0	NOK	471570!	AD7823E0	NOK	415483!	AD7857E0	NATSU	416153!
AD7764E0	NOK	470590!	AD7824E0	NOK	415458!	AD7857E0	NOK	416153!
AD7765E0	NOK	471689!	AD7825E0	NATSU	417343!	AD7858E0	NATSU	417247!
AD7766E0	NOK	471692!	AD7825E0	NOK	417343!	AD7858E0	NOK	417247!
AD7767E0	NOK	470712!	AD7826E0	NATSU	415984!	AD7859E0	NATSU	415725!
AD7767E1	NOK	470712!	AD7826E0	NOK	415984!	AD7859E0	NATSU	475725=
AD7768E0	NOK	473203!	AD7827E0	NOK	417316!	AD7859E0	NOK	415725!
AD7769E0	NOK	472475!	AD7828E0	NATSU	415303!	AD7860E0	NOK	470625!

! Industrial Size/Type * Minor Width Difference

= The U.S. customer service number is 877-4-TIMKEN. The Canadian customer service numbers are 800-565-4927 (English) and 800-565-0438 (French-Canadian).

Mfr. No.	Name	Zero Duplication or Recommended Industrial	Mfr. No.	Name	Zero Duplication or Recommended Industrial	Mfr. No.	Name	Zero Duplication or Recommended Industrial	Mfr. No.	Name	Zero Duplication or Recommended Industrial
AE0442G	NOK	342613!	AE1260A0	NOK	222430	AE2081I	NOK	223540	AE2676E0	NOK	45X70X10
AE0442G0	NOK	342613!	AE1260A1	NOK	24X40X7!	AE2081IO	NOK	223540	AE2685N	NOK	710270
AE0451E	NOK	471442!	AE1292G0	NOK	222510	AE2085A	NOK	35X55X8!	AE2774E0	NOK	48X62X8!
AE0451F0	NOK	471442!	AE1306E0	NOK	222535	AE2085A0	NOK	35X55X11!	AE2774F	NOK	224810
AE0452E	NOK	471442!	AE1306K0	NOK	222535	AE2094E0	NOK	35X56X10!	AE2774G	NOK	224810
AE0514G0	NOK	14X24X7	AE1307E1	NOK	222535	AE2108E0	NOK	35X60X10!	AE2774G0	NOK	224810
AE0519J	NOK	710116	AE1314A0	NOK	222541	AE2218E0	NOK	38X50X7!	AE2774G03X1	NOK	224810
AE0519J0	NOK	14X25X5	AE1314A0	NOK	25X40X7!	AE2231E	NOK	223831	AE2775E0	NOK	224820
AE0523E1	NOK	14X26X7	AE1315F0	NOK	222541	AE2231E0	NOK	223831	AE2780F0	NOK	224820
AE0526A0	NOK	14X30X7	AE1322F0	NOK	25X42X8!	AE2231E0	NOK	38X55X7!	AE2786E	NOK	1945
AE0582E	NOK	2027	AE1335E0	NOK	25X45X8	AE2240-A0	NOK	1175	AE2786E	NOK	228480
AE0582E0	NOK	15X24X7	AE1337F0	NOK	25X45X8	AE2240-A0	NOK	38X58X8!	AE2786E0	NOK	1945
AE0584F0	NOK	15X24X7	AE1338A0	NOK	25X45X8	AE2240-A0	NOK	710319	AE2786E0	NOK	228480
AE0586G	NOK	15X25X6	AE1351E0	NOK	222560	AE2240J0	NOK	223842	AE2788H	NOK	1994
AE0586G0	NOK	15X25X5	AE1351E0	NOK	25X47X7	AE2280E	NOK	470625!	AE2788H	NOK	48X70X9!
AE0598A0	NOK	221540	AE1377F0	NOK	25X52X10	AE2343E0	NOK	224015	AE2788H1	NOK	1994
AE0604E0	NOK	15X32X8	AE1377H0	NOK	25X52X7!	AE2343E0	NOK	40X52X7!	AE2788H1	NOK	48X70X9!
AE0654E0	NOK	471264!	AE1442E0	NOK	222560	AE2359H	NOK	224020	AE2791A0	NOK	1994
AE0658E0	NOK	450557	AE1450E0	NOK	472138	AE2359H	NOK	40X55X8!	AE2808E	NOK	710305
AE0658E0	NOK	471255!	AE1452E0	NOK	471516!	AE2359H0	NOK	224020	AE2808E0	NOK	710305
AE0678F1	NOK	16X26X7	AE1474A0	NOK	26X42X10	AE2365E0	NOK	224026	AE2831E	NOK	225005
AE0685G0	NOK	221610	AE1512F	NOK	1990	AE2365G	NOK	224026	AE2847E0	NOK	225020
AE0687A0	NOK	221620	AE1512F0	NOK	27X43X8!	AE2369A0	NOK	40X58X10!	AE2847Y0	NOK	50X68X8!
AE0742L0	NOK	17X30X7	AE1518A0	NOK	27X47X8	AE2375E0	NOK	40X60X10!	AE2854E0	NOK	1189
AE0743E0	NOK	17X30X7	AE15290	WILYS	471538!	AE2386H	NOK	224045	AE2862E1	NOK	225035
AE0745E1	NOK	221720	AE1558P	NOK	28X47X7!	AE2386H	NOK	40X62X8!	AE2862E1	NOK	50X72X8!
AE0751H0	NOK	17X30X7	AE1558P0	NOK	28X47X7!	AE2386H1	NOK	224045	AE2864A0	NOK	225035
AE0751H0	NOK	221730	AE1599E	NOK	471652	AE2386H1	NOK	40X62X12!	AE2864G0	NOK	50X72X8!
AE0760H0	NOK	17X35X7	AE1666F0	NOK	1970	AE2388A0	NOK	224045	AE2864P	NOK	225035*
AE0771F1	NOK	17X40X7	AE1679A0	NOK	223014	AE2390K0	NOK	224045	AE28879	JOHND	481181!
AE0815E	NOK	18X30X7!	AE1679A0	NOK	30X45X5!	AE2403I	NOK	710269	AE2888E	NOK	50X80X8
AE0815E	NOK	221820	AE1679H0	NOK	1981	AE2405E1	NOK	40X65X10	AE2888E0	NOK	225050
AE0815E0	NOK	18X30X7!	AE1679H0	NOK	30X45X8!	AE2419E	NOK	350572	AE2919E0	NOK	472492!
AE0815E0	NOK	221820	AE1679L0	NOK	1981	AE2420E0	NOK	40X72X7	AE2942E0	NOK	410102
AE0817E0	NOK	18X30X7!	AE1692E1	NOK	223020	AE2420F	NOK	710523	AE2955E0	NOK	52X65X9!
AE0817E0	NOK	221820	AE1692E1	NOK	30X47X7!	AE2426G	NOK	710113	AE2960F	NOK	225230
AE0823E0	NOK	18X32X8!	AE1705G0	NOK	30X50X7	AE24599	JOHND	470380!	AE2960F	NOK	52X72X8!
AE0829A0	NOK	18X35X7	AE1709A0	NOK	30X50X7	AE2483E0	NOK	224210	AE2960F0	NOK	225230
AE0829E0	NOK	18X35X7	AE1723F0	NOK	223035	AE2492E	NOK	1953	AE2960F0	NOK	52X72X8!
AE0870E0	NOK	19X32X8!	AE1736E0	NOK	30X55X10	AE2492E0	NOK	1953	AE29658	JOHND	5650
AE0870E0	NOK	221922	AE17384	WILYS	330385	AE2492E0	NOK	42X60X7!	AE2965F1	NOK	52X75X12
AE0875A	NOK	19X35X10!	AE1820E0	NOK	322353	AE2493E0	NOK	1953	AE2967A0	NOK	52X75X12
AE0875A0	NOK	19X35X10!	AE1820E0	NOK	474278!	AE2493J	NOK	1953	AE3012E0	NOK	54X72X10!
AE0880E0	NOK	19X38X7	AE1820F	NOK	322353	AE2493J	NOK	42X60X7!	AE3040A0	NOK	225530
AE0900E0	NOK	1049	AE1820F	NOK	474278	AE2507A1	NOK	42X65X10!	AE30471	JOHND	471760
AE0913E0	NOK	470954!	AE1884E0	NOK	32X46X6!	AE2520F	NOK	710195	AE3055A0	NOK	55X78X10
AE0915F0	NOK	470954!	AE1894G0	NOK	223240	AE2520F0	NOK	710195	AE3072F0	NOK	55X85X10
AE0917E0	NOK	221820	AE1894G0	NOK	32X48X8!	AE2589E0	NOK	472164!	AE3103E	NOK	1984
AE0929A0	NOK	18X35X7	AE1902E0	NOK	223255	AE2596E0	NOK	323119	AE3148F1	NOK	225875
AE0948E0	NOK	472237=	AE1904A0	NOK	1167	AE2643E0	NOK	224520	AE3148F1	NOK	58X75X11
AE0955E0	NOK	222075	AE1904A0	NOK	32X52X7!	AE2643E1	NOK	224520	AE3154A0	NOK	225880
AE0984H0	NOK	20X30X7	AE1952E	NOK	1953	AE2644W0	NOK	45X60X10!	AE3193F0	NOK	60X75X8
AE0997E0	NOK	222020	AE1952E0	NOK	1953	AE2650E0	NOK	1012	AE3222A0	NOK	2001
AE1012G0	NOK	222030	AE1952E0	NOK	42X60X7!	AE2650E0	NOK	1012N	AE3222H0	NOK	60X82X12!
AE1013A0	NOK	20X35X7!	AE2005E0	NOK	472258!	AE2650E0	NOK	45X62X8!	AE3290E0	NOK	62X80X10
AE1013A0	NOK	222030	AE2011E0	NOK	471192*	AE2651A0	NOK	1185	AE3290E2	NOK	62X80X10
AE1017F0	NOK	20X36X7	AE2022E	NOK	450456!	AE2651A0	NOK	45X62X8!	AE3297A0	NOK	226285
AE10212	WILYS	471466!	AE2022E0	NOK	323125	AE2653E	NOK	1012	AE3297A0	NOK	62X85X8!
AE1029E0	NOK	222050	AE2022E0	NOK	450456!	AE2653E	NOK	1012N	AE3400A0	NOK	65X88X10
AE1032F0	NOK	20X40X7!	AE2041E	NOK	223510	AE2653E0	NOK	1012	AE3400A0	NOK	65X88X8!
AE1032G0	NOK	20X40X10	AE2048F3	NOK	35X47X7!	AE2653E0	NOK	1012N	AE3409A0	NOK	226530
AE1033A0	NOK	20X40X10	AE2048M	NOK	1108	AE2653E0	NOK	45X62X8!	AE3409Q0	NOK	65X90X10!
AE1035E0	NOK	20X42X10	AE2057A0	NOK	223520!	AE2658W0	NOK	45X65X8!	AE3519A0	NOK	227045
AE1048P0	NOK	20X47X7	AE2060G0	NOK	35X50X8!	AE2666E0	NOK	224560	AE3519A2	NOK	70X92X12
AE1139E0	NOK	22X40X7	AE2067E1	NOK	35X52X8!	AE2668A0	NOK	224560	AE3521E0	NOK	227045
AE1140E	NOK	22X40X7	AE2068E0	NOK	223535	AE2668R	NOK	45X68X7!	AE3527E	NOK	70X95X10
AE1140E0	NOK	22X40X7	AE2071F0	NOK	223535	AE2668R0	NOK	224560	AE3527E0	NOK	70X95X13
AE1145E0	NOK	22X42X10	AE2072E0	NOK	223535	AE2668R0	NOK	45X68X7!	AE3611E0	NOK	75X95X10!
AE1148A0	NOK	22X42X10	AE2072F0	NOK	35X52X8!	AE2668Y	NOK	224560	AE3618A0	NOK	227550
AE1148E0	NOK	22X42X10	AE2081	NOK	35X55X11	AE2668Y	NOK	45X68X7!	AE3618A0	NOK	75X100X12!
AE1179E0	NOK	353132	AE2081E0	NOK	35X55X8!	AE2668Y0	NOK	224560	AE3733G0	NOK	80X100X10!
AE1232E0	NOK	471571	AE2081E0	NOK	223542	AE2668Y0	NOK	45X68X7!	AE3744A0	NOK	228020

ALPHABETICAL INTERCHANGE

! Industrial Size/Type * Minor Width Difference

= The U.S. customer service number is 877-4-TIMKEN. The Canadian customer service numbers are 800-565-4927 (English) and 800-565-0438 (French-Canadian).

Zero Duplication or Recommended Industrial		Zero Duplication or Recommended Industrial		Zero Duplication or Recommended Industrial		Zero Duplication or Recommended Industrial	
Mfr. No.	Name	Mfr. No.	Name	Mfr. No.	Name	Mfr. No.	Name
AE37476	JOHND	415449!	AE7939E0	NOK	472311!	AF1035E0	NOK
AE37477	JOHND	471831!	AE8004E0	NOK	351487	AF1035E0	NOK
AE3786E	NOK	1945	AE8013E0	NOK	471076	AF1075E0	NOK
AE3786E	NOK	228480	AE8073E0	NOK	415082	AF1124E0	NOK
AE3786E	NOK	82X105X13!	AE8326E	NOK	221540	AF1155R	JOHND
AE3786E0	NOK	1945	AE8364E0	NOK	471570!	AF1156R	JOHND
AE3786E0	NOK	228480	AE8379E	NOK	224252	AF1177E0	NOK
AE3842A0	NOK	228520	AE8379E0	NOK	224252	AF1178E	NOK
AE3932A0	NOK	90X115X12	AE8379E0	NOK	42X62X8!	AF1178E0	NOK
AE3994A0	NOK	229510	AE8427E0	NOK	471766!	AF1181E	NOK
AE4007E0	NOK	229520	AE8441E0	NOK	323133	AF1181E0	NOK
AE4007E0	NOK	95X130X12!	AE8444E0	NOK	17X27X7	AF1190A	FORD
AE4054P0	NOK	100X120X12*	AE8472E0	NOK	30X62X7	AF1190A1	FORD
AE4054P0	NOK	231004	AE8548E0	NOK	323126	AF1190A2	FORD
AE4063A0	NOK	100X125X12!*	AE8548E0	NOK	474278!	AF1399E0	NOK
AE4063F0	NOK	231003	AE8558E0	NOK	472238*	AF1402F0	NOK
AE4212H1	NOK	231108	AE8798G	NOK	42X62X8!	AF1473E	NOK
AE4221E0	NOK	110X145X12	AE8903E0	NOK	7214	AF1576R	JOHND
AE4341H0	NOK	231206	AE8907E	NOK	223240	AF1588F0	NOK
AE4346H0	NOK	120X150X12	AEA9239A	FAIRB	471442!	AF1591E0	NOK
AE4346H0	NOK	231206	AEC621	LEYLD	471195!	AF1609E0	NOK
AE4355E0	NOK	120X155X15	AEEO52A0	NOK	40X55X8	AF1616E0	NOK
AE4451F0	NOK	130X160X12	AEEO59A0	NOK	25X35X7!	AF1663E0	NOK
AE4451F0	NOK	231302	AEEO60A0	NOK	20X35X7!	AF1703E	NOK
AE4542E0	NOK	231404	AEEO128A0	NOK	35X47X7!	AF1778E	NOK
AE4581E0	NOK	145X175X15	AEEO159A0	NOK	25X40X7!	AF1778E0	NOK
AE4624F0	NOK	150X180X15	AEEO212A0	NOK	42X60X7!	AF1789E0	NOK
AE4624F1	NOK	150X180X12	AEEO279A0	NOK	85X110X12!	AF1790E0	NOK
AE4624F1	NOK	231502	AEEO295A	NOK	40X62X8!	AF1815G0	NOK
AE4898E0	NOK	231805	AEEO295A0	NOK	40X62X12!	AF1826E0	NOK
AE6873E0	NOK	474272!	AEEO338A0	NOK	25X37X7!	AF1836F0	NOK
AE6873E0	NOK	474272*	AEEO376A0	NOK	14X24X7	AF1837E0	NOK
AE6901E	NOK	2007N	AEEO394A0	NOK	35X47X7!	AF1837E0	NOK
AE6922E0	NOK	471733	AEEO456B0	NOK	30X42X7!	AF1925	JOHND
AE7103E	NOK	204420	AEEO477A0	NOK	65X85X10	AF1934R	JOHND
AE7103E	NOK	204505*	AEEO479A0	NOK	70X90X10!	AF2018F0	NOK
AE7126E0	NOK	473197*	AEEO488A0	NOK	105X125X13	AF2033E	NOK
AE7126E0	NOK	473197!	AEEO514A0	NOK	15X25X6	AF2135R	JOHND
AE7139E0	NOK	415001!	AEEO523A0	NOK	14X28X6	AF2221F	NOK
AE7145E1	NOK	473259*	AEEO615A0	NOK	35X62X7!	AF2221W	NOK
AE7145E1	NOK	473259!	AEEO699A0	NOK	60X80X8!	AF2221W0	NOK
AE7150E0	NOK	473427	AEEO752A0	NOK	85X130X13	AF2264F0	NOK
AE7175E0	NOK	471192	AEEO920A0	NOK	50X90X10	AF2272E0	NOK
AE7333G0	NOK	50X65X8!	AEEO984A0	NOK	50X65X8!	AF2284E	NOK
AE7362E	NOK	223553	AEK3003	DENCO	473224!	AF2284E0	NOK
AE7362E0	NOK	35X62X7!	AEO9524	MASSE	472164!	AF2284F0	NOK
AE7368E	NOK	481163	AER01889	AVCO	471549!	AF2285E	NOK
AE7368E0	NOK	481163	AER01956	AVCO	471554!	AF2285F0	NOK
AE7431E0	NOK	416154!	AER01959	AVCO	450342	AF2285G0	NOK
AE7617E0	NOK	471529	AER01959B	AVCO	450342	AF2340F0	NOK
AE7642E0	NOK	471612	AERO583D	AVCO	450522	AF2367E0	NOK
AE7644E0	NOK	471549!	AERO6100	AVCO	450173	AF2399E	NOK
AE7644E0	NOK	472467	AEX38757	GMC	471231!	AF2399E	NOK
AE7646E0	NOK	472649	AF0103E0	NOK	340826	AF2458F0	NOK
AE7655E0	NOK	75X115X10*	AF0222E0	NOK	311189	AF2480E0	NOK
AE7655E0	NOK	75X115X12	AF0226E0	NOK	350156*	AF2533E0	NOK
AE7660E0	NOK	226550	AF0369E	NOK	12X22X7!	AF2535E0	NOK
AE7660E0	NOK	65X100X10	AF0369E0	NOK	12X22X7!	AF2548E0	NOK
AE7663E0	NOK	476513=	AF0433E0	NOK	342805	AF2548E0	NOK
AE7676E0	NOK	473490	AF0437G	NOK	43095S!	AF2592E	NOK
AE7694E0	NOK	350974!	AF0437G0	NOK	43095S!	AF2592E0	NOK
AE7698E0	NOK	471498	AF0544E0	NOK	472705!	AF2597E0	NOK
AE7705E0	NOK	470806*	AF0633E	NOK	340849	AF2640E0	NOK
AE7708E0	NOK	471276*	AF0636E0	NOK	7399S!	AF2640E0	NOK
AE7739E0	NOK	321460	AF0654E0	NOK	471264	AF2643R	JOHND
AE7766E0	NOK	471692!	AF0741F	NOK	17X30X7	AF2655E	NOK
AE7772E0	NOK	473211!	AF0749E1	NOK	17X32X7!	AF2655E0	NOK
AE7782F0	NOK	470380!	AF0770E0	NOK	17X40X7	AF2655E0	NOK
AE7869E0	NOK	472324!	AF0888F0	NOK	312518!	AF2659	JOHND
AE7872E0	NOK	17X35X7	AF0888F0	NOK	342518	AF2659R	JOHND
AE7912E0	NOK	222560	AF1035E	NOK	20X42X10	AF2749E0	NOK
AE7925E0	NOK	473196=	AF1035E0	NOK	20X42X10!	AF2772E0	NOK
AF2788R	JOHND	474276!	AF2788R	JOHND	474276!	AF2788R	JOHND
AF2861E0	NOK	50X72X8!	AF2861E0	NOK	50X72X8!	AF2861E0	NOK
AF2911R	JOHND	450129	AF2911R	JOHND	450129	AF2911R	JOHND
AF2911R	JOHND	472826!	AF2911R	JOHND	472826!	AF2911R	JOHND
AF2920R	JOHND	474276!	AF2920R	JOHND	474276!	AF2920R	JOHND
AF2936E	NOK	473463	AF2936E	NOK	473463	AF2936E	NOK
AF2993F0	NOK	40566S	AF2993F0	NOK	40566S	AF2993F0	NOK
AF3034E	NOK	225505	AF3034E	NOK	225505	AF3034E	NOK
AF3034E	NOK	55X70X8!	AF3034E	NOK	55X70X8!	AF3034E	NOK
AF3034E0	NOK	225505	AF3034E0	NOK	225505	AF3034E0	NOK
AF3034E0	NOK	55X70X8!	AF3034E0	NOK	55X70X8!	AF3034E0	NOK
AF3044F0	NOK	1207	AF3044F0	NOK	1207	AF3044F0	NOK
AF3044F0	NOK	1207N	AF3044F0	NOK	1207N	AF3044F0	NOK
AF3065E	NOK	55X82X12!	AF3065E	NOK	55X82X12!	AF3065E	NOK
AF3065E0	NOK	55X82X12!	AF3065E0	NOK	55X82X12!	AF3065E0	NOK
AF3134E	NOK	412920	AF3134E	NOK	412920	AF3134E	NOK
AF3135G	NOK	412920	AF3135G	NOK	412920	AF3135G	NOK
AF3135G1	NOK	412920	AF3135G1	NOK	412920	AF3135G1	NOK
AF316R	JOHND	417181!	AF316R	JOHND	417181!	AF316R	JOHND
AF3171F0	NOK	442874	AF3171F0	NOK	442874	AF3171F0	NOK
AF3240E	NOK	60X90X10	AF3240E	NOK	60X90X10	AF3240E	NOK
AF3240E0	NOK	60X90X8	AF3240E0	NOK	60X90X8	AF3240E0	NOK
AF3614E0	NOK	75X100X12!	AF3614E0	NOK	75X100X12!	AF3614E0	NOK
AF3729E	NOK	228010	AF3729E	NOK	228010	AF3729E	NOK
AF3729E	NOK	80X100X10!	AF3729E	NOK	80X100X10!	AF3729E	NOK
AF3729E0	NOK	80X100X10!	AF3729E0	NOK	80X100X10!	AF3729E0	NOK
AF545R	JOHND	472185!	AF545R	JOHND	472185!	AF545R	JOHND
AF7103E1	NOK	204020	AF7103E1	NOK	204020	AF7103E1	NOK
AF7103E1	NOK	204505!	AF7103E1	NOK	204505!	AF7103E1	NOK
AF7133E0	NOK	204029	AF7133E0	NOK	204029	AF7133E0	NOK
AF7133E0	NOK	204507!	AF7133E0	NOK	204507!	AF7133E0	NOK
AF7172E1	NOK	440972	AF7172E1	NOK	440972	AF7172E1	NOK
AF7276E	NOK	291099	AF7276E	NOK	291099	AF7276E	NOK
AF7276E0	NOK	291099	AF7276E0	NOK	291099	AF7276E0	NOK
AF7286E0	NOK	7840S	AF7286E0	NOK	7840S	AF7286E0	NOK
AF7380E	NOK	473229!	AF7380E	NOK	473229!	AF7380E	NOK
AF7386E0	NOK	340827	AF7386E0	NOK	340827	AF7386E0	NOK
AF7593E	JOHND	204008	AF7593E	JOHND	204008	AF7593E	JOHND
AF7593E0	NOK	203008	AF7593E0	NOK	203008	AF7593E0	NOK
AF7599E0	NOK	481481	AF7599E0	NOK	481481	AF7599E0	NOK
AF7604F0	NOK	204005	AF7604F0	NOK	204005	AF7604F0	NOK
AF77047A	FORD	471652	AF77047A	FORD	471652	AF77047A	FORD
AF77047A	FORD	482208!	AF77047A	FORD	482208!	AF77047A	FORD
AF77047A2	FORD	471652	AF77047A2	FORD	471652	AF77047A2	FORD
AF77047A3	FORD	471652	AF77047A3	FORD	471652	AF77047A3	FORD
AF7756E0	NOK	340388	AF7756E0	NOK	340388	AF7756E0	NOK
AF7863E	NOK	3095	AF7863E	NOK	3095	AF7863E	NOK
AF7863E0	NOK	3095	AF7863E0	NOK	3095	AF7863E0	NOK
AF7936E0	NOK	340356	AF7936E0	NOK	340356	AF7936E0	NOK
AF8005E	NOK	342517	AF8005E	NOK	342517	AF8005E	NOK
AF8021E0	NOK	41075S	AF8021E0	NOK	41075S	AF8021E0	NOK
AF8057E0	NOK	204038	AF8057E0	NOK	204038	AF8057E0	NOK
AF8063E0	NOK	204035	AF8063E0	NOK	204035	AF8063E0	NOK
AF8088E0	NOK	45X62X8!	AF8088E0	NOK	45X62X8!	AF8088E0	NOK
AF8088F	NOK	494122	AF8088F	NOK	494122	AF8088F	NOK
AF8224E0	NOK	340900	AF8224E0	NOK	340900	AF8224E0	NOK
AF8225E0	NOK	41461S	AF8225E0	NOK	41461S	AF8225E0	NOK
AF8374E	NOK	203020	AF8374E	NOK	203020	AF8374E	NOK
AF8374E0	NOK	203020	AF8374E0	NOK	203020	AF8374E0	NOK
AF8389E0	NOK	8430S	AF8389E0	NOK	8430S	AF8389E0	NOK
AF8413E0	NOK	8974S	AF8				

Zero Duplication or Recommended Industrial		Zero Duplication or Recommended Industrial		Zero Duplication or Recommended Industrial		Zero Duplication or Recommended Industrial	
Mfr. No.	Name	Mfr. No.	Name	Mfr. No.	Name	Mfr. No.	Name
AF8741E NOK	480630	AG2386F0 NOK	224045	AGX49415 JOHND	340400	AH1688E0 NOK	30X46X7!
AF8741E0 NOK	480630	AG2386F0 NOK	40X62X12!	AGX82378A JOHND	472016	AH1688F NOK	223018
AF8782E0 NOK	351487	AG2399E NOK	224100	AGX82379A JOHND	415458!	AH1688F0 NOK	223018
AF8933E0 NOK	7934S	AG2399E NOK	40X65X10!	AGX96442 JOHND	472560N	AH1706 NOK	30X50X7
AF8934E NOK	9015S	AG2458E0 NOK	473117	AGX97454 JOHND	471466!	AH1706E NOK	223050
AF8934E0 NOK	9015S	AG2515W NOK	224270	AGY16W JOHND	471766!	AH1706E0 NOK	223050
AF9155E NOK	8975S	AG2515W0 NOK	224270	AH0687E NOK	221620	AH1706F NOK	223050
AF9155E0 NOK	8975S	AG2515W0 NOK	42X72X10!	AH0687E0 NOK	16X30X7	AH1706F0 NOK	223050
AFF133A0 NOK	45X65X8!	AG2538Y NOK	1183	AH0736F NOK	17X28X7	AH17256 JOHND	451857
AFS1180 EL-WH	204035	AG2538Y0 NOK	1183	AH0736F0 NOK	17X28X7!	AH17911 JOHND	473452
AFS1180E EL-WH	204035	AG2538Y0 NOK	43X55X8!	AH0736F0 NOK	221710	AH1880G0 NOK	223230
AFS2130P EL-WH	204038	AG2580F0 NOK	473237	AH0736G0 NOK	221710	AH1880G0 NOK	32X45X7!
AFS2782 EL-WH	204013	AG2640E0 NOK	224520	AH0736H NOK	16X28X7!	AH1888E0 NOK	32X47X7!
AFS3549A EL-WH	41461S	AG2640E0 NOK	45X60X10!	AH0736H NOK	221710	AH1888E0 NOK	710310
AFX43053 JOHND	472185!	AG2649A0 NOK	45X62X8!	AH0736H0 NOK	16X28X7	AH1888G0 NOK	223230
AG-JB230 CONTI	471529	AG2755 NOK	1956	AH0736I NOK	221710	AH1893E NOK	223240
AG0102E0 NOK	340826	AG2755G NOK	1956	AH0815E0 NOK	221820	AH1893E NOK	32X48X8!
AG0103E0 NOK	340826	AG2755H NOK	1956	AH0816-E NOK	221820	AH1893E0 NOK	223240
AG0204A NOK	9X22X7	AG2772Y NOK	1188	AH0816E0 NOK	18X30X7!	AH1895E NOK	223240
AG0204A0 NOK	9X22X7	AG2772Y0 NOK	1188	AH0875A0 NOK	710445 *	AH1895E NOK	32X48X8!
AG0213E0 NOK	330385	AG2772Y0 NOK	48X62X8!	AH0984E NOK	222025!	AH1895E0 NOK	223240
AG0220E1 NOK	340827	AG2775 NOK	1956	AH0984F0 NOK	20X30X7	AH1895E0 NOK	32X48X8!
AG0324E0 NOK	343101	AG2775G NOK	1956	AH0984G NOK	222025!	AH1904F NOK	1167
AG0369E NOK	12X22X7!	AG2775H NOK	1956	AH10466 JOHND	456744N	AH1904G NOK	223252
AG0369E0 NOK	12X22X7!	AG2775Y NOK	1956	AH10888 JOHND	8792S	AH1904G0 NOK	223252
AG0433H0 NOK	342805	AG2775Y0 NOK	1956	AH11966 JOHND	474274	AH1904G00X1 NOK	223252
AG0433I0 NOK	342805	AG2775Y0 NOK	48X62X8!	AH1260E0 NOK	24X40X7!	AH19415 JOHND	200763
AG0437E0 NOK	340847	AG2776Y0 NOK	48X62X8!	AH1260G NOK	222540	AH1968F0 NOK	223420
AG0443E0 NOK	342613!	AG2806E NOK	1977	AH1260G NOK	25X40X7!	AH1968G NOK	223420
AG0456E0 NOK	471526!	AG2806E0 NOK	1977	AH1260G0 NOK	222540	AH1968G0 NOK	223420
AG0514E0 NOK	14X24X7	AG2965A NOK	52X75X12	AH1292E0 NOK	222510	AH1971G NOK	223430
AG0596A0 NOK	15X30X7	AG2965A0 NOK	52X75X12	AH1292F0 NOK	712007	AH1971G NOK	710417
AG0645E0 NOK	471466	AG3038A0 NOK	55X72X8!	AH1292H NOK	712007	AH1971Y NOK	223430
AG0686A NOK	16X30X7	AG3151E0 NOK	58X80X8	AH1292H0 NOK	712007	AH1971Y NOK	710417
AG0743E0 NOK	17X30X7	AG3217A0 NOK	60X82X12!	AH1292I NOK	222510	AH1971Y0 NOK	223430
AG0757A NOK	17X35X7	AG3398A0 NOK	65X88X10	AH1302F0 NOK	25X37X7!	AH1971Y0 NOK	710417
AG0757A0 NOK	17X35X7	AG3398A0 NOK	65X88X8!	AH1314F NOK	222540	AH19842 JOHND	472070=
AG0802E NOK	710222	AG3503E0 NOK	70X88X12	AH1314F0 NOK	25X40X7!	AH1986G NOK	223420
AG0802E0 NOK	710222	AG3503E0 NOK	70X88X8!	AH14076 JOHND	471192	AH2057J0 NOK	713771
AG0807E0 NOK	18X28X6	AG3505E0 NOK	70X88X8!	AH14080 JOHND	240736	AH2057JO NOK	713771
AG0888G0 NOK	312518!	AG3516A0 NOK	70X92X12	AH14219 JOHND	471689!	AH2057P NOK	35X50X8!
AG0888G0 NOK	342518	AG3739A NOK	80X105X14!	AH15048 JOHND	471760	AH2057P NOK	3771
AG0962F0 NOK	710249	AG3739A0 NOK	80X105X13!	AH1508E NOK	712009	AH2057P0 NOK	3771
AG1035E NOK	20X42X10	AG3839A0 NOK	85X110X12!	AH1512E NOK	1990	AH2057Q NOK	3771
AG1035E0 NOK	20X42X10	AG3990E0 NOK	95X120X12!	AH1512E0 NOK	1990	AH2057Q0 NOK	3771
AG1169E0 NOK	240733	AG4059E0 NOK	100X125X12 *	AH1512F NOK	1990	AH2057R NOK	3771
AG1171E0 NOK	340850	AG6759A0 NOK	28X48X8!	AH1512F0 NOK	1990	AH2057R0 NOK	3771
AG1173E0 NOK	254287	AG6762A NOK	70X95X13	AH1512J NOK	1990	AH2060E NOK	3771
AG1179F0 NOK	340413	AG6762A0 NOK	70X95X10	AH1512J0 NOK	223535	AH2060E0 NOK	35X50X8!
AG1399E0 NOK	343098	AG6799Y0 NOK	1974	AH1512K NOK	1990	AH2060E0 NOK	3771
AG1473A NOK	26X42X10	AG6900E NOK	7537S	AH1512K0 NOK	222743	AH2060G NOK	3771
AG1517A NOK	27X47X10	AG6900E0 NOK	7537S	AH1513F NOK	222745	AH2060G0 NOK	3771
AG1535E0 NOK	28X40X7!	AG6956E0 NOK	471442	AH1513F NOK	27X45X8!	AH2060W NOK	710324
AG1588E0 NOK	340835	AG7148E NOK	221510	AH1513F0 NOK	222745	AH2060W0 NOK	710324
AG1593F0 NOK	1037	AG7148E0 NOK	15X25X6	AH15256 JOHND	340136	AH2060Y NOK	3771
AG1608E0 NOK	323133	AG7386E0 NOK	340827	AH1538G NOK	222820	AH2060Y0 NOK	3771
AG1703A NOK	30X50X7	AG7756E0 NOK	340387	AH1538H NOK	222820	AH2067F0 NOK	35X52X8!
AG1815E0 NOK	343186	AG7927E0 NOK	340826	AH1538P0 NOK	28X40X7!	AH2077F NOK	710331
AG1862E0 NOK	32X42X8!	AG8028E NOK	1952	AH1544F0 NOK	28X42X8!	AH2077F0 NOK	35X54X8!
AG2039F0 NOK	35X47X7!	AG8028E0 NOK	1952	AH1544F0 NOK	712008	AH2077F0 NOK	710331
AG2064E0 NOK	35X52X8!	AG8372E0 NOK	350877	AH1558H NOK	224025	AH2077G NOK	710331
AG2225F NOK	1174	AG8372E0 NOK	471633!	AH1558H0 NOK	222860	AH2077G0 NOK	710331
AG2225F NOK	38X52X8.5!	AG8409E0 NOK	342613!	AH1558PO NOK	222860	AH2077H0 NOK	710331
AG2225F0 NOK	1174	AG8483E0 NOK	42X62X8!	AH16581 JOHND	473231	AH2077I NOK	1119
AG2225F0 NOK	38X52X8.5!	AG8550E NOK	1943	AH16581H JOHND	473231!	AH2077I NOK	710331
AG2272E0 NOK	7537S	AG8550F0 NOK	1943	AH1665E0 NOK	223010	AH2083E NOK	223540
AG2340E0 NOK	224015	AG8551E NOK	494117	AH1666K NOK	223010	AH2083G NOK	223540
AG2340E0 NOK	40X52X7!	AG8756E0 NOK	340849	AH1666K0 NOK	223010	AH2083G NOK	35X55X8!
AG2341E0 NOK	40X52X7!	AG8796E0 NOK	3395	AH1673F0 NOK	30X44X7!	AH2083G0 NOK	35X55X11!
AG2367A0 NOK	40X58X10!	AG8796E0 NOK	352444!	AH1679L0 NOK	30X45X5!	AH2085G NOK	223542
AG2386F NOK	224045	AG8907E NOK	223210	AH1679N0 NOK	30X45X8!	AH2085G NOK	35X55X11!
AG2386F NOK	40X62X8!	AG8936E0 NOK	340930	AH1688E0 NOK	223018	AH2085G0 NOK	223542

! Industrial Size/Type * Minor Width Difference

= The U.S. customer service number is 877-4-TIMKEN. The Canadian customer service numbers are 800-565-4927 (English) and 800-565-0438 (French-Canadian).

ALPHABETICAL INTERCHANGE

Mfr. No.	Name	Zero Duplication or Recommended Industrial	Mfr. No.	Name	Zero Duplication or Recommended Industrial	Mfr. No.	Name	Zero Duplication or Recommended Industrial	Mfr. No.	Name	Zero Duplication or Recommended Industrial
AH8888P	NOK	222330	AM205	FMC	415995!	AMX16397	ALLCH	471766!	AN161130	JOHND	200940 * =
AH8888P0	NOK	222330	AM205	LK-BT	415995!	AMX19347	ALLCH	470590	AN163876	JOHND	472924!
AH8942E	NOK	710053	AM2133T	JOHND	472164!	AMX19959	ALLCH	471570!	AN181409	JOHND	204029
AH90963	JOHND	200303 * =	AM220T	JOHND	345035	AMX20069	ALLCH	414268!	AN181409	JOHND	204507!
AH93892	JOHND	200942 *	AM221	MUSKE	16210	AMX20099	ALLCH	240736	AN181410	JOHND	204017
AHH001A0	NOK	25X38X7!	AM222	MUSKE	16204	AMX20296	ALLCH	472354!	AN181411	JOHND	471267!
AHH026A	NOK	30X45X8!	AM2231	MUSKE	16200	AMX20637	ALLCH	6759S	AN190473	JOHND	450523
AHH026A0	NOK	30X45X5!	AM224	MUSKE	16201	AMX20668	ALLCH	472439	AN190474	JOHND	715101
AHH035A0	NOK	20X30X7	AM2241	MUSKE	16201	AMX2146	ALLCH	474272!	AN30647	JOHND	450400
AHH050A0	NOK	225020	AM225	MUSKE	16208	AMX21859	ALLCH	340771	AN31885	JOHND	473016!
AHH050A0	NOK	50X68X8!	AM2258T	JOHND	472287!	AMX2262	ALLCH	471646!	AN32745N	JOHND	473237!
AHH052A	NOK	40X55X8!	AM227	MUSKE	16211	AMX2263	ALLCH	471354!	AN50308	JOHND	203007 =
AHH052A0	NOK	224020	AM228	MUSKE	16202	AMX22904	ALLCH	340724!	AN70684	JOHND	350936
AHH085-A0	NOK	227550	AM2281	MUSKE	16212	AMX23148	ALLCH	472299	AN70684N	JOHND	350936
AHH085-A0	NOK	75X100X12!	AM2291	MUSKE	16203	AMX24126	ALLCH	473463	AN71194N	JOHND	350936
AHH144A0	NOK	25X35X7!	AM230	MUSKE	16203	AMX24127	ALLCH	473463	AN71578N	JOHND	470774!
AHH144A0	NOK	712007	AM231	MUSKE	16206	AMX24130	ALLCH	471570!	AP-1181	AUPRO	S-1181
AHH254-B0	NOK	228010	AM232	MUSKE	16209	AMX24131	ALLCH	471192	AP-1183	AUPRO	S-1183
AHH254-B0	NOK	80X100X10!	AM2446T	JOHND	323138!	AMX24133	ALLCH	411376!	AP-1188	AUPRO	S-1188
AHH276-A0	NOK	228020	AM253T	JOHND	471192	AMX24137	ALLCH	417172	AP-1196	AUPRO	S-1196
AHH276A	NOK	80X105X14!	AM2553T	JOHND	340853	AMX24138	ALLCH	470059	AP-1205N	AUPRO	S-1205N
AHH443A0	NOK	223831	AM260T	JOHND	473234	AMX24138	ALLCH	470380!	AP-1213	AUPRO	S-1213N
AHH443A0	NOK	38X55X7!	AM263	JOHND	470625!	AMX25866	ALLCH	450621	AP-1217	AUPRO	S-1217
AHH452A0	NOK	1990	AM263T	JOHND	470625!	AMX2642	ALLCH	470605!	AP-1883	AUPRO	S-1883
AHH452A0	NOK	27X43X8!	AM2684T	JOHND	473179!	AMX281151	ALLCH	472164!	AP-1884	AUPRO	S-1884
AHH587-B0	NOK	221710	AM268T	JOHND	472924!	AMX30832	ALLCH	412861	AP-1932	AUPRO	S-1932
AHH587-B0	NOK	17X28X7	AM2723T	JOHND	410496!	AMX30920	ALLCH	471801!	AP-1948	AUPRO	S-1948
AJ1177A	FORD	473228	AM2732T	JOHND	410496!	AMX31045	ALLCH	473245!	AP-1950	AUPRO	S-1950
AJ1177A1	FORD	473228	AM2773T	JOHND	472924!	AMX33653	ALLCH	415027	AP-1953	AUPRO	S-1953
AJ1177A2	FORD	473228	AM2775T	JOHND	410496!	AMX33653	ALLCH	415027!	AP-1955	AUPRO	S-1955
AJ1177A3	FORD	473228	AM3094	JOHND	712260	AMX336532	ALLCH	416125!	AP-1956	AUPRO	S-1956
AJ1177A4	FORD	473228	AM3094T	JOHND	712260	AMX36553	ALLCH	415234!	AP-1960	AUPRO	S-1960
AJ1177D3	FORD	9568	AM331	MUSKE	16250	AMX36817	ALLCH	472144!	AP-1962	AUPRO	S-1962
AJ1177F	FORD	9568	AM332	MUSKE	16251	AMX368171	ALLCH	472144!	AP-1973	AUPRO	S-1973
AJ4676A	FORD	7044NA	AM333	MUSKE	16252	AMX36818	ALLCH	470086	AP-1984	AUPRO	S-1984
AJX1942A	MASSE	473464!	AM334	MUSKE	16253	AMX368181	ALLCH	470086	AP-1987	AUPRO	S-1987
AJX1942A	MASSE	473464	AM334G	MUSKE	16254	AMX36842	ALLCH	480630!	AP-1992	AUPRO	S-1992
AK35937	JOHND	200118 =	AM335	MUSKE	16255	AMX368421	ALLCH	480630!	AP-1994	AUPRO	S-1994
AK35937K	JOHND	200118 =	AM337	MUSKE	16257	AMX37257	ALLCH	415234!	AP-2002	AUPRO	S-2002
AK36310	JOHND	200854	AM338	MUSKE	16258	AMX372571	ALLCH	415234!	AP-2007	AUPRO	S-2007
AK36310K	JOHND	200854	AM339	MUSKE	16259	AMX37590	ALLCH	471504!	AP-203013	AUPRO	S-203013
AK36652	JOHND	200122	AM340	MUSKE	16260	AMX375901	ALLCH	471504!	AP-203025	AUPRO	S-203025
AK36652K	JOHND	200122	AM341	MUSKE	16261	AMX42646	ALLCH	415449!	AP-203029	AUPRO	S-203029
AK37498	JOHND	471413	AM342	MUSKE	16262	AMX44599	ALLCH	412920!	AP-204013	AUPRO	S-204013
AL1395N	JOHND	312140	AM343	MUSKE	16263	AMX46121	ALLCH	470774!	AP-204017	AUPRO	S-204017
AL1794N	JOHND	471344	AM344	MUSKE	16264	AMX46446	ALLCH	413247!	AP-204038	AUPRO	S-204038
AL20027T	JOHND	473010!	AM345	MUSKE	16265	AMX46837	ALLCH	415027	AP-2043	AUPRO	S-2043
AL20185T	JOHND	470059	AM346	MUSKE	16266	AMX46837	ALLCH	415027!	AP-2081	AUPRO	S-2081
AL20185T	JOHND	470380!	AM3572T	JOHND	472144!	AMX50360	ALLCH	472179	AP-2146	AUPRO	S-2146
AL2020T	JOHND	472144!	AM381T	JOHND	471224!	AMX53664	ALLCH	415371	AP-223420	AUPRO	S-223420
AL2021T	JOHND	473367!	AM727T	JOHND	345035	AMX71042	JOHND	471747!	AP-223542	AUPRO	S-223542
AL2021T	JOHND	473367	AM878T	JOHND	473445	AMX71043	JOHND	471571	AP-223543	AUPRO	S-223543
AL2094T	JOHND	471192	AM937T	JOHND	410496!	AMX71043A	JOHND	471647	AP-223605	AUPRO	S-223605
AL2095T	JOHND	473229	AM939T	JOHND	410496!	AMX71177	JOHND	472287!	AP-223830	AUPRO	S-223830
AL2122T	JOHND	471763	AM965	FMC	471271!	AMX76410	JOHND	451583!	AP-223840	AUPRO	S-223840
AL2123T	JOHND	471821!	AM965	LK-BT	471271!	AMX76433	JOHND	471224!	AP-224015	AUPRO	S-224015
AL2124T	JOHND	472924!	AMK772	DENCO	471192	AMX76655	JOHND	471763	AP-224026	AUPRO	S-224026
AL2172T	JOHND	471763	AMX10783	ALLCH	473473	AMX81974	JOHND	471472!	AP-224235	AUPRO	S-224235
AL2257T	JOHND	471224!	AMX11252	ALLCH	471192	AN100904	JOHND	472354!	AP-224772	AUPRO	S-224772
AL2258T	JOHND	470954!	AMX11852	ALLCH	471192	AN102006	JOHND	472492!	AP-224820	AUPRO	S-224820
AL2426T	JOHND	470712	AMX12593	ALLCH	472354!	AN10535	JOHND	203008	AP-225020	AUPRO	S-225020
AL26537	JOHND	471763	AMX1284	ALLCH	416888!	AN10535	JOHND	204008	AP-225110	AUPRO	S-225110
AL2653T	JOHND	471763	AMX1285	ALLCH	455375 =	AN10535N	JOHND	204008	AP-225225	AUPRO	S-225225
AL2654T	JOHND	345146	AMX13435	ALLCH	473215!	AN12151	JOHND	473459	AP-225230	AUPRO	S-225230
AL4360	CATER	455121	AMX13503	ALLCH	473197	AN12151N	JOHND	473459	AP-226285	AUPRO	S-226285
ALK62850	CONTI	471554!	AMX13916	ALLCH	471255!	AN12717	JOHND	471831!	AP-2286	AUPRO	S-2286
AM1091T	JOHND	470334!	AMX14034	ALLCH	472185!	AN12717N	JOHND	471831!	AP-2506	AUPRO	S-2506
AM1162T	JOHND	450173	AMX14036	ALLCH	474274	AN140226	JOHND	471750!	AP-2655	AUPRO	S-2655
AM1717T	JOHND	472924!	AMX14354	ALLCH	472705!	AN140227	JOHND	472144!	AP-2658	AUPRO	S-2658
AM1842T	JOHND	470950!	AMX14378	ALLCH	473444	AN150038	JOHND	416556!	AP-2692	AUPRO	S-2692
AM1842T	JOHND	6241S	AMX15842	ALLCH	415995!	AN150038	JOHND	472157	AP-2955	AUPRO	S-2955
AM1977T	JOHND	473231	AMX16237	ALLCH	470354	AN152118	JOHND	472826!	AP-3087	AUPRO	S-3087

ALPHABETICAL INTERCHANGE

! Industrial Size/Type * Minor Width Difference

= The U.S. customer service number is 877-4-TIMKEN. The Canadian customer service numbers are 800-565-4927 (English) and 800-565-0438 (French-Canadian).

Zero Duplication or Recommended Industrial		Zero Duplication or Recommended Industrial		Zero Duplication or Recommended Industrial		Zero Duplication or Recommended Industrial	
Mfr. No.	Name	Mfr. No.	Name	Mfr. No.	Name	Mfr. No.	Name
AP-3173	AUPRO	S-3173	AP-7022S	AUPRO	S-7022S	AP1295G0	NOK
AP-3195	AUPRO	S-3195	AP-7038SA	AUPRO	S-7038SA	25X35X7!	473367
AP-3214	AUPRO	S-3214	AP-7044NA	AUPRO	S-7044NA	471649!	473367!
AP-3227	AUPRO	S-3227	AP-710005	AUPRO	S-710005	AP1636G NOK	474260!
AP-331107N	AUPRO	S-331107N	AP-710067	AUPRO	S-710067	AP1636G0 NOK	474260!
AP-331227H	AUPRO	S-331227H	AP-710072	AUPRO	S-710072	30X42X7!	AQ28293K JOHND
AP-331228H	AUPRO	S-331228H	AP-710073	AUPRO	S-710073	470774!	AQ28293KA JOHND
AP-334111	AUPRO	S-334111	AP-710091	AUPRO	S-710091	AP18387 JOHND	6575S
AP-3357	AUPRO	S-3357	AP-710092	AUPRO	S-710092	AP18387H JOHND	471870!
AP-3459	AUPRO	S-3459	AP-710096	AUPRO	S-710096	AP19068 JOHND	471649!
AP-3543	AUPRO	S-3543	AP-710101	AUPRO	S-710101	712270	AQX124666 JOHND
AP-3604	AUPRO	S-3604	AP-710105	AUPRO	S-710105	AP19068H JOHND	471646!
AP-3622	AUPRO	S-3622	AP-710110	AUPRO	S-710110	AP19214H JOHND	AQX20382 JOHND
AP-3655	AUPRO	S-3655	AP-710166	AUPRO	S-710166	417191	AQX22853 JOHND
AP-3677	AUPRO	S-3677	AP-710168	AUPRO	S-710168	AP19214H JOHND	AQX26585 JOHND
AP-3723	AUPRO	S-3723	AP-722108	AUPRO	S-722108	AP19243 JOHND	471737
AP-3743	AUPRO	S-3743	AP-722109	AUPRO	S-722109	470334!	AQX32982H JOHND
AP-3747	AUPRO	S-3747	AP-7300S	AUPRO	S-7300S	AP19360H JOHND	AQX35627 JOHND
AP-3771	AUPRO	S-3771	AP-7412S	AUPRO	S-7412S	AP19509 JOHND	473225!
AP-3896	AUPRO	S-3896	AP-7687S	AUPRO	S-7687S	AP19547 JOHND	AQX37171 JOHND
AP-3946	AUPRO	S-3946	AP-7692S	AUPRO	S-7692S	472560N	473016!
AP-4072	AUPRO	S-4072N	AP-7781S	AUPRO	S-7781S	AP20035H JOHND	AQX38321 JOHND
AP-4099	AUPRO	S-4099	AP-7934S	AUPRO	S-7934S	471737	471684!
AP-410308	AUPRO	S-410308	AP-8121S	AUPRO	S-8121S	AP20413 JOHND	AQX42643 JOHND
AP-412920	AUPRO	S-412920	AP-8181NA	AUPRO	S-8181NA	472354!	AQX42844 JOHND
AP-4131	AUPRO	S-4131	AP-8312	AUPRO	S-8312	AP21123 JOHND	473205
AP-413248	AUPRO	S-413248	AP-8430S	AUPRO	S-8430S	475995!	AQX43411 JOHND
AP-413470	AUPRO	S-413470	AP-8460N	AUPRO	S-8460N	AP22072 DAVEY	200600
AP-4148	AUPRO	S-4148	AP-8516N	AUPRO	S-8516N	AP22325 JOHND	AQX48731 JOHND
AP-415009	AUPRO	S-415009	AP-8594S	AUPRO	S-8594S	340823	AQX59960 JOHND
AP-415960	AUPRO	S-415960	AP-8610	AUPRO	S-8610	473016!	6513
AP-4160	AUPRO	S-4160	AP-8611N	AUPRO	S-8611N	AP22520 JOHND	AQX61812 JOHND
AP-416273	AUPRO	S-416273	AP-8660S	AUPRO	S-8660S	AP22619 JOHND	7230=
AP-417158	AUPRO	S-417158	AP-8695S	AUPRO	S-8695S	AP23236 JOHND	203008
AP-4249	AUPRO	S-4249	AP-8704S	AUPRO	S-8704S	40555	AQX62213 JOHND
AP-4250	AUPRO	S-4250	AP-8705S	AUPRO	S-8705S	AP23236 JOHND	AQX68086 JOHND
AP-4278	AUPRO	S-4278	AP-8792S	AUPRO	S-8792S	40555S!	AQX68090 JOHND
AP-4370N	AUPRO	S-4370N	AP-8835S	AUPRO	S-8835S	AP24013 JOHND	471192
AP-442109	AUPRO	S-442109	AP-8871	AUPRO	S-8871	AP24021 JOHND	240736
AP-442251	AUPRO	S-442251	AP-8974S	AUPRO	S-8974S	AP24021H JOHND	240733
AP-442874	AUPRO	S-442874	AP-9015S	AUPRO	S-9015S	471192	AQX70245 JOHND
AP-444116	AUPRO	S-444116	AP-9150S	AUPRO	S-9150S	AP24021H JOHND	340136
AP-455086	AUPRO	S-455086	AP-9178S	AUPRO	S-9178S	200600	AR-55216 JOHND
AP-470331N	AUPRO	S-470331N	AP-9316	AUPRO	S-9316	AP24550 JOHND	470380!
AP-470361	AUPRO	S-470361	AP-9406S	AUPRO	S-9406S	470590	AR-7708 CUMMI
AP-470460	AUPRO	S-470460	AP-9449	AUPRO	S-9449	AP2492 MINNM	5026
AP-471224	AUPRO	S-471224	AP-9569S	AUPRO	S-9569S	471354!	AR-98650 JOHND
AP-471271	AUPRO	S-471271	AP-9613S	AUPRO	S-9613S	AP2492 OLIVE	412473!
AP-471424	AUPRO	S-471424	AP-9845	AUPRO	S-9845	471354!	AR0437E0 NOK
AP-473468	AUPRO	S-473468	AP-9864S	AUPRO	S-9864S	AP26239 JOHND	8792S
AP-473677	AUPRO	S-473677	AP-9912	AUPRO	S-9912	470590	AR0587E NOK
AP-4739	AUPRO	S-4739	AP0549E NOK	472705!	AP26381H JOHND	413246	15X25X6!
AP-4740	AUPRO	S-4740	AP0549E0 NOK	472705!	AP26382H JOHND	472012	221510
AP-474134	AUPRO	S-474134	AP0786E NOK	471529	AP26383H JOHND	471760	AR0670E NOK
AP-4762N	AUPRO	S-4762N	AP0786E0 NOK	471529	AP26405 JOHND	340771	16X24X7
AP-4795V	AUPRO	S-4795V	AP0913E NOK	470954!	AP2816 OLIVE	473228	16X24X6
AP-4899	AUPRO	S-4899	AP0987E1 NOK	20X30X7	AP2816 WHITE	473228!	AR0785E NOK
AP-493291	AUPRO	S-493291	AP1003E NOK	222028	AP2816 WHITE	473228!	3667
AP-493637	AUPRO	S-493637	AP1012	AUPRO	S-1012N	5976S	AR0809E NOK
AP-494117	AUPRO	S-494117	AP1116E0 NOK	22X32X7!	AP3169 OLIVE	5976S	1015N
AP-494123	AUPRO	S-494123	AP1126	AUPRO	S-1126	AP3653 MINNM	18X28X6
AP-51098	AUPRO	S-51098	AP1174	AUPRO	S-1174	474253	AR0809E NOK
AP-5121	AUPRO	S-5121	AP1177	AUPRO	S-1177	473413	1015N
AP-5131	AUPRO	S-5131	AP1178	AUPRO	S-1178	AP3654 OLIVE	240735
AP-5604	AUPRO	S-5604	AP1180	AUPRO	S-1180	472258	AR0889E0 NOK
AP-5697	AUPRO	S-5697	AP1181E NOK	471267!	AP3654 OLIVE	472258	240816
AP-5778	AUPRO	S-5778	AP1181E0 NOK	471267!	AP6842E NOK	473448	AR0897E NOK
AP-6358	AUPRO	S-6358	AP1247F0 NOK	24X37X7	AP6842E0 NOK	473448	AR0897E0 NOK
AP-6712NA	AUPRO	S-6712NA	AP1295 MINNM	470059	AP6842E0 NOK	473448	343185
AP-6815	AUPRO	S-6815	AP1295 MINNM	470380!	AP6842E0 NOK	473448	343185
AP-6840S	AUPRO	S-6840S	AP1295 WHITE	470059	AP68930 LUF	415196!	470954
AP-6954S	AUPRO	S-6954S	AP1295 WHITE	470380!	AP72745 LUF	J1121	AR0913G0 NOK
					AP7430E NOK	480821!	470954!
					AP7430E0 NOK	480821!	AR100066 JOHND
					AP7740E NOK	471337	486701
					AP7861E NOK	471735	AR1012E1 NOK
					AP7861E0 NOK	471735	20X35X7!
					AP7864E NOK	471570!	AR103873 JOHND
					AP7935F NOK	471538	471281!
					AP7935F0 NOK	471538	AR1168E0 NOK
					AP7937E NOK	471787!	240733
					AP7937E0 NOK	471787!	AR1201R JOHND
					AP8212F NOK	471192	320457
					AP8212F0 NOK	471192	AR1314E2 NOK
					AP8214F NOK	471688	25X40X7!
					AP8214F0 NOK	471688	AR1335R JOHND
					AP8240E NOK	8059S	472560N!
					AP8240E0 NOK	8059S	AR1399F0 NOK
					AP8785E NOK	481481	240731
					AP8785E0 NOK	481481	AR1418E NOK
					AP8901E0 NOK	25X42X10	471224
					AP8901E0 NOK	25X42X8!	AR1418E0 NOK
					AP8916E NOK	222450	471224
					AP01295 OLIVE	470059	AR1587R JOHND
					AP01295 OLIVE	470380!	AR1588F NOK
					AP01296 OLIVE	450593!	340835
							AR1592E NOK
							1037*
							AR1593G0 NOK
							1037
							AR1774F0 NOK
							340817
							AR1818F0 NOK
							240356
							AR1995E NOK
							340853
							AR1995E0 NOK
							340853
							AR1997E NOK
							472354!
							AR1997E0 NOK
							472354!
							AR20077R JOHND
							472258!
							AR2022E NOK
							323125
							AR2022E NOK
							450456!
							AR2266F0 NOK
							474276*

! Industrial Size/Type * Minor Width Difference

= The U.S. customer service number is 877-4-TIMKEN. The Canadian customer service numbers are 800-565-4927 (English) and 800-565-0438 (French-Canadian).

Mfr. No.	Name	Zero Duplication or Recommended Industrial	Mfr. No.	Name	Zero Duplication or Recommended Industrial	Mfr. No.	Name	Zero Duplication or Recommended Industrial	Mfr. No.	Name	Zero Duplication or Recommended Industrial
AR2268F0	NOK	240319	AR70406	JOHND	2119 * =	AT12557	JOHND	357302	AT47901	JOHND	415449!
AR2269F0	NOK	240319	AR7108E0	NOK	240151	AT12557	JOHND	415991	AT48313	JOHND	204017
AR2575F	NOK	340400	AR71558	JOHND	471271!	AT12820T	JOHND	470954!	AT48334	JOHND	472924!
AR2575F0	NOK	340400	AR72375	JOHND	204013	AT12822T	JOHND	471766!	AT49215	JOHND	473474
AR2643H0	NOK	45X60X10!	AR7241E	NOK	340823	AT12888	JOHND	7014S	AT52447	JOHND	472164!
AR26480	JOHND	200855	AR7241E0	NOK	340823	AT12889	JOHND	1049	AT53802	JOHND	455056
AR26480R	JOHND	200855	AR7277E0	NOK	240731	AT12996	JOHND	416292 =	AT54995	JOHND	392077 * =
AR26482R	JOHND	473459 =	AR7302E	NOK	46997S	AT13014	JOHND	41026S	AT55472	JOHND	417349!
AR26706	JOHND	415991	AR7382E0	NOK	472185!	AT13063	JOHND	471466	AT59652	JOHND	471267!
AR26939R	JOHND	470898	AR7383E	NOK	472185!	AT13063T	JOHND	471466	AT61250	JOHND	315364 * =
AR27446	JOHND	200948	AR74485	JOHND	JX1141	AT13077	JOHND	254270	AT6550A	GMC	473459
AR27446R	JOHND	200948	AR74813	JOHND	471271!	AT13161	JOHND	415263	ATC7064	LEYLD	470898
AR27806	JOHND	7208S	AR78189	JOHND	416865!	AT13161T	JOHND	473237!	ATN082	RFT	713041
AR28201R	JOHND	417484!	AR78259	JOHND	455330!	AT13306T	JOHND	471504	ATN090	RFT	223014
AR2908E	NOK	40401	AR7901E	NOK	253099	AT1393	GR-DV	415995!	ATN123	RFT	223035
AR2908E0	NOK	40401	AR7901E0	NOK	253099	AT1393	GR-DV	415995!	ATN129	RFT	223535
AR2915E	NOK	40360S!	AR79581	JOHND	416327	AT13945	JOHND	471737	ATN132	RFT	713047
AR2915E0	NOK	40360S!	AR8081E0	NOK	7399S!	AT13945T	JOHND	471737	ATN202	RFT	713152
AR29326	JOHND	240735	AR84782	JOHND	416476 * =	AT13956	JOHND	415995!	ATN227	RFT	713120
AR29326R	JOHND	240735	AR84783	JOHND	5615 * =	AT13956	JOHND	415995!	ATN230	RFT	713013
AR31882R	JOHND	5666	AR85311	JOHND	416332!	AT13956T	JOHND	415995!	ATN342	RFT	713098
AR3329E	NOK	40555	AR87199	JOHND	416332!	AT13956T	JOHND	415995!	ATN353	RFT	231402
AR3329E	NOK	40555S!	AR88797	JOHND	417601 * =	AT13960T	JOHND	471272!	ATN355	RFT	713105
AR3329E0	NOK	40555	AR92893	JOHND	5625	AT13963	JOHND	472439	ATN366	RFT	713110
AR3329E0	NOK	40555S!	AR92894	JOHND	5625	AT14199	JOHND	486544N =	ATN368	RFT	713112
AR389R	JOHND	471570!	AR94262	JOHND	417343!	AT14199T	JOHND	486544N =	ATN371	RFT	713068
AR39043	JOHND	471442!	AR94610	JOHND	472157!	AT14664	JOHND	471765!	ATN382	RFT	713014
AR39052	JOHND	471224!	AR94610	JOHND	472157!	AT14831	JOHND	473214	ATN387	RFT	229006
AR39117	JOHND	471652	AR963R	JOHND	40169S	AT14831T	JOHND	473214!	ATN395	RFT	713102
AR40687	JOHND	311189	AR98649	JOHND	416332!	AT14835T	JOHND	416891!	ATN396	RFT	713149
AR40737	JOHND	471271!	AREX80020	JOHND	5976S	AT14841	JOHND	471341!	ATN397	RFT	231404
AR41795	JOHND	471504	ARX99437	JOHND	415021	AT14841T	JOHND	471341!	ATN401	RFT	231250
AR42005	JOHND	415995!	ARX99437A	JOHND	415035!	AT14924T	JOHND	472164!	ATN402	RFT	713121
AR42005	JOHND	415995!	ARX99437A	JOHND	415035	AT15561	JOHND	323138!	ATN407	RFT	713080
AR42330	JOHND	455151	AS44201	WGEAR	473229	AT15790	JOHND	6863S!	ATN414	RFT	710384
AR44137	JOHND	417563	AS4508945	GMC	7141 =	AT16431	JOHND	417344!	ATN417	RFT	713108
AR44138	JOHND	416380!	AS4508EF-945	GMC	7141 =	AT16431T	JOHND	417344!	ATN438	RFT	229005
AR44949	JOHND	5666	AS49838	C-P	451583!	AT16887	JOHND	415458!	ATN441	RFT	713137
AR44950	JOHND	5666	AS7927	AVCO	415458!	AT17325T	JOHND	471413!	ATN451	RFT	713147
AR45399	JOHND	415371	AS96417	C-P	340817	AT18387	JOHND	415458!	ATN455	RFT	713094
AR45401	JOHND	416339	ASF5726	AU-WS	472636!	AT18387T	JOHND	415458!	ATN457	RFT	713144
AR46102	JOHND	45031S	ASF5727A	AU-WS	415458!	AT18508T	JOHND	473203	ATN459	RFT	713092
AR48946	JOHND	5666	ASF5853	AU-WS	417344!	AT18555T	JOHND	472164!	ATN466	RFT	713145
AR49025	JOHND	450129	ASF5853A	AU-WS	417344!	AT195T	JOHND	345146	ATN471	RFT	713107
AR49025	JOHND	472826!	ASF5979	AU-WS	471689	AT20702	JOHND	471272!	ATN477	RFT	713125
AR49025	JOHND	5666	ASF5979A	AU-WS	471689	AT20703	JOHND	200133	ATP506	RFT	713027
AR49592	JOHND	200855	ASF6000	AU-WS	473228	AT21143T	JOHND	473203	ATP507	RFT	713028
AR51561	JOHND	412473!	ASF6000A	AU-WS	473228	AT21608	JOHND	471272	ATP514	RFT	713039
AR515N	JOHND	712270	ASF6001	AU-WS	474274	AT21693	JOHND	411500	ATP517	RFT	713087
AR52224	JOHND	472258!	ASF7590A	AU-WS	471766	AT21780	JOHND	471652	ATP528	RFT	713114
AR52258	JOHND	417563	ASF8908	AU-WS	80313	AT22639	JOHND	471224!	ATP536	RFT	713150
AR52259	JOHND	416380!	ASF9155	B-L-H	415449!	AT22964	JOHND	714750	ATP547	RFT	713117
AR531	JOHND	472287!	AT10344T	JOHND	472193!	AT22965	JOHND	415138!	ATP551	RFT	223275
AR531R	JOHND	472287!	AT1106Z	OWS	474276!	AT25329	JOHND	43290S	ATP553	RFT	224025
AR56967	JOHND	417210!	AT11492T	JOHND	472560N!	AT25331	JOHND	416664!	ATP554	RFT	713118
AR56967	JOHND	486985 =	AT11665T	JOHND	481163!	AT25585	JOHND	472446	ATP558	RFT	713154
AR58155	JOHND	417254	AT11676T	JOHND	473517!	AT344T	JOHND	410059	ATP572	RFT	713119
AR58512	JOHND	455576!	AT11888	JOHND	472287!	AT344T	JOHND	470380!	ATP575	RFT	713051
AR58716	JOHND	3492V	AT11927	JOHND	6703S	AT34656	JOHND	415995!	ATP576	RFT	224220
AR608R	JOHND	471763	AT11979T	JOHND	473459	AT34656	JOHND	415995!	ATP580	RFT	713122
AR618R	JOHND	451583!	AT119T	JOHND	471766!	AT353	MINNM	472258	ATP585	RFT	713055
AR62328	JOHND	470954!	AT12341T	JOHND	472185 =	AT36255	JOHND	412920!	ATP587	RFT	713060
AR64671	JOHND	471231!	AT12427	JOHND	410825	AT36612	JOHND	472397!	ATP596	RFT	713065
AR66751	JOHND	417621!	AT12427T	JOHND	410825	AT38188	JOHND	473313!	ATP597	RFT	713020
AR66752	JOHND	416888!	AT12431	JOHND	472185 =	AT39319	JOHND	455056	ATP602	RFT	713126
AR67942	JOHND	471272 =	AT12431T	JOHND	472185 =	AT39525	JOHND	410825	ATP606	RFT	226480
AR6868E	NOK	473237!	AT12520	JOHND	471138 =	AT40603	JOHND	471984	ATP611	RFT	713131
AR6868E1	NOK	473237!	AT12540T	JOHND	471138!	AT40731	JOHND	415066	ATP621	RFT	713133
AR69354	JOHND	3275 =	AT12541	JOHND	417316!	AT43415	JOHND	415995 * =	ATP623	RFT	713085
AR69355	JOHND	3203 =	AT12541T	JOHND	417316!	AT43738	JOHND	471692 =	ATP626	RFT	713077
AR69584	JOHND	471138!	AT12542	JOHND	473231!	AT43762	JOHND	477410 =	ATP628	RFT	713136
AR69776	JOHND	410965 =	AT12542T	JOHND	473231	AT44697	JOHND	415483	ATP635	RFT	713088

ALPHABETICAL INTERCHANGE

! Industrial Size/Type * Minor Width Difference

= The U.S. customer service number is 877-4-TIMKEN. The Canadian customer service numbers are 800-565-4927 (English) and 800-565-0438 (French-Canadian).

Zero Duplication or Recommended Industrial		Zero Duplication or Recommended Industrial		Zero Duplication or Recommended Industrial		Zero Duplication or Recommended Industrial		
Mfr. No.	Name	Mfr. No.	Name	Mfr. No.	Name	Mfr. No.	Name	
ATP643	RFT	713089	ATY20047A JOHND	472164!	AW194412 B-L-H	415442!	AX91998 ALLCH	416664!
ATP648	RFT	713101	ATY20176B JOHND	472164!	AW194412 CLARK	415442!	AX9209 GMC	6358
ATP649	RFT	713109	ATY21425A JOHND	352541	AW194414 B-L-H	415146!	AX92276 ALLCH	450084!
ATP661	RFT	713129	ATY21484A JOHND	472560N!	AW194414 B-L-H	415991	AXA0043 FRUEH	376590A
ATP672	RFT	713008	ATY21524A JOHND	352541	AW194414 CLARK	415146!	AXA0043-1 FRUEH	376590A
ATP675	RFT	713116	ATY22340A JOHND	470954!	AW194414 CLARK	415991	AXA3271 GMC	471652
ATP676	RFT	713005	ATY22413A JOHND	471766!	AW194415 B-L-H	415138!	AXA7317 BENDI	471141!
ATP677	RFT	713037	ATY22428B JOHND	473214	AW194415 CLARK	415138!	AXS115 COC	410308!
ATP692	RFT	222510	ATY3502 JOHND	473234	AW194417 B-L-H	471271!	AXS126 COC	471554!
ATP703	RFT	713021	ATY3534 JOHND	470625!	AW194417 CLARK	471271!	AXS188 COC	471750!
ATP708	RFT	713139	ATY3535A JOHND	472924!	AW194418 B-L-H	470625!	AXS268 COC	415458!
ATP715	RFT	713019	ATY3557A JOHND	471192	AW194418 CLARK	470625!	AXS269 COC	415458!
ATP717	RFT	713032	ATY3558A JOHND	471224!	AW194426 B-L-H	416664!	AXS270 COC	472492!
ATP718	RFT	713048	ATY3737A JOHND	471570!	AW194426 CLARK	415085!	AXS33 COC	471766!
ATP776	RFT	713056	ATY3915 JOHND	473445	AW194430 B-L-H	471138!	AXS34 COC	471870!
ATP777	RFT	713061	ATY3917 JOHND	410496!	AW194430 CLARK	471138!	AZ1026A EATON	471554!
ATP781	RFT	713082	ATY4003 JOHND	470334!	AW194431 B-L-H	417343!	AZ1787F NOK	710068
ATP788	RFT	713130	ATY4841A JOHND	345146	AW194431 CLARK	417343!	AZ1787F0 NOK	710068
ATP789	RFT	713156	ATY5135B JOHND	471766!	AW194434 B-L-H	415995!	AZ2245E NOK	223842
ATP790	RFT	226480	ATY513S JOHND	471766!	AW194434 CLARK	415995!	AZ2254G NOK	710509
ATP800	RFT	713141	ATY5219B JOHND	473231	AW194435 B-L-H	473237!	AZ3320H JOHND	471765!
ATP805	RFT	713099	ATY5317 JOHND	472924!	AW194435 CLARK	473237!	AZ41341 JOHND	125X150X12!
ATP814	RFT	713011	ATY5503 JOHND	472287!	AW194436 B-L-H	470954!	AZ6886E NOK	5131
ATP835	RFT	713042	ATY6517A JOHND	471766!	AW194436 CLARK	470954!	AZ6886E0 NOK	5131
ATP838	RFT	713006	ATY6517F JOHND	410059	AW194439 B-L-H	472015!	AZ6919E NOK	1952
ATP841	RFT	224025	ATY6517F JOHND	470380!	AW194439 CLARK	472015!	AZ6919E0 NOK	1952
ATP852	RFT	713016	ATY6563B JOHND	323138!	AW194440 B-L-H	417349	AZ7283E0 NOK	2300
ATP856	RFT	226480	ATY6577B JOHND	340853	AW194440 CLARK	417349!	AZ7595E NOK	200371
ATP857	RFT	713096	ATY7517A JOHND	471766!	AW194441 B-L-H	476470!	AZ7595E0 NOK	200371
ATP861	RFT	713072	ATY9242A JOHND	471763	AW194441 B-L-H	476470	AZ8045E NOK	2016
ATP864	RFT	713081	ATY9243A JOHND	470950!	AW194441 CLARK	476470	AZ8045E0 NOK	2016
ATP867	RFT	713075	ATY9243A JOHND	6241S	AW194442 B-L-H	416664!	AZ8415E0 NOK	5131
ATP869	RFT	713143	ATY9244A JOHND	473231	AW194442 CLARK	416664!	AZ8443E NOK	2300
ATP870	RFT	713090	ATY9245A JOHND	472164!	AW194443 B-L-H	417172	B-0010 GRAM	471532
ATP880	RFT	713004	ATY9245B JOHND	472164!	AW194443 CLARK	417172	B-1865 KEWNE	450984
ATP881	RFT	713146	AU42507 JOHND	472636	AW2732E NOK	710191	B-DO301 WAUKE	470088
ATP884	RFT	713124	AU43436 JOHND	392076 * =	AW2864E NOK	225040	B-L317A BR-WN	473213!
ATP886	RFT	713038	AU43766 JOHND	200870	AW3003E0 NOK	710021	B006 VIC	HU012A
ATP888	RFT	713009	AUC1AK9424 WHITE	472572!	AW337787 CHRYS	710182	B007 VIC	HU013A
ATP889	RFT	713104	AW10266 JOHND	473460	AW337788 CHRYS	710183	B05761 PAARS	415058
ATPC258511AV	Y-T	455253	AW10327W JOHND	471795	AX10474 ALLCH	471391!	B059 VIC	H075
ATV901	RFT	713010	AW10433 JOHND	450065	AX10834 ALLCH	416664!	B100006CA SPG	710043
ATV903	RFT	713052	AW10434 JOHND	401835!	AX13068 ALLCH	473441	B100165RE0 SPG	100165
ATV911	RFT	713086	AW14092 AU-WS	417316!	AX1805D-472 ROCKW	455434	B1003 HUGKE	416339
ATV916	RFT	713106	AW194014 AU-WS	415995!	AX1805E-473 ROCKW	415035	B1003 HUGKE	455031!
ATV930	RFT	713022	AW194066 B-L-H	473450	AX1805W-465 ROCKW	415960!	B100318RER SPG	4614N
ATV950	RFT	713083	AW194198 B-L-H	470954!	AX18583 ALLCH	417349	B100357VA8 SPG	100357
ATV952	RFT	713084	AW194198 CLARK	470954!	AX24100 ALLCH	J1086 =	B100552VJ0 SPG	100552
ATV960	RFT	713093	AW194204 B-L-H	416404!	AX241001 ALLCH	J1118	B100713VAA8 SPG	100713V
ATV961	RFT	713078	AW194204 CLARK	416404!	AX25957 ALLCH	417316!	B103254 BENDI	472636!
ATV992	RFT	713142	AW194218 B-L-H	472492!	AX27019 ALLCH	471224!	B1043 HU-WR	471820
ATV993	RFT	713140	AW194224 B-L-H	471267!	AX2712601 ALLCH	471442!	B1065 ACV	473462
ATV997	RFT	713071	AW194234 B-L-H	417349	AX317830 ACDEL	J1105	B1094 OLIVE	471192
ATV998	RFT	713033	AW194250 B-L-H	413247!	AX317830 GMC	J1105	B10P88H IH	416654!
ATV999	RFT	713148	AW194256 B-L-H	415991	AX411 IH	5836	B1110A OLIVE	415991
ATY10746	JOHND	417316!	AW194256 B-L-H	455146!	AX510 IH	6358	B1110A OLIVE	455146!
ATY11170A	JOHND	417316!	AW194294 B-L-H	415035	AX57252 ALLCH	476470!	B112306 OLIVE	470059
ATY11172A	JOHND	472287!	AW194294 B-L-H	415035!	AX57252 ALLCH	476470	B112306 OLIVE	470380!
ATY11173A	JOHND	470625!	AW194296 B-L-H	417351!	AX57280 ALLCH	473197	B1175 FORD	416738!
ATY11174A	JOHND	470712!	AW194314 B-L-H	413469!	AX62651 ALLCH	416292	B1175 FORD	450096
ATY11176	JOHND	450400	AW194332 B-L-H	471271!	AX64701 ALLCH	415937!	B12424 BUC-E	470954
ATY11176A	JOHND	450400	AW194336 B-L-H	416919	AX66089 JOHND	471554!	B12536X WHITE	411253!
ATY11180	JOHND	473215!	AW194338 B-L-H	416956	AX72933 ALLCH	415213N	B12571 CASE	455019!
ATY11345A	JOHND	240735	AW194354 AU-WS	55301S	AX74574 JOHND	471224!	B12598X WHITE	415960!
ATY11402A	JOHND	470954!	AW194374 B-L-H	480210!	AX76253 ALLCH	415832	B126 OLIVE	473467!
ATY11519A	JOHND	473459	AW194380 B-L-H	470625!	AX76560 ALLCH	415627	B12912 WHITE	415960!
ATY11738A	JOHND	471737	AW194388 B-L-H	7208S	AX76728 ALLCH	416921!	B1311 HU-WR	473457!
ATY12170A	JOHND	471766!	AW194408 B-L-H	476470	AX81489 ALLCH	473016!	B13247B JOHND	200371
ATY12340A	JOHND	254287	AW194408 CLARK	476470	AX81708 ALLCH	471424!	B132703M GMC	473225!
ATY12340AA	JOHND	254287	AW194410 B-L-H	471271!	AX81725 ALLCH	417349!	B132703T CASE	415064
ATY13960T	JOHND	471272!	AW194410 CLARK	471271!	AX82405 ALLCH	471763	B132704A B-L-H	473458!
ATY1535B	JOHND	471766!	AW194411 B-L-H	417621!	AX91827 ALLCH	417278	B132704AA B-L-H	417485

! Industrial Size/Type * Minor Width Difference

= The U.S. customer service number is 877-4-TIMKEN. The Canadian customer service numbers are 800-565-4927 (English) and 800-565-0438 (French-Canadian).

Mfr. No.	Name	Zero Duplication or Recommended Industrial	Mfr. No.	Name	Zero Duplication or Recommended Industrial	Mfr. No.	Name	Zero Duplication or Recommended Industrial	Mfr. No.	Name	Zero Duplication or Recommended Industrial
B132704AB	B-L-H	416921!	B1AZ7052B	FORD	410059	B370019BG	SPG	370019A	B4434VDO	SPG	4434V
B132704AC	B-L-H	416654!	B1AZ7052B	FORD	470380!	B370020BG	SPG	370020A	B4525VAO	SPG	4525V
B132704AD	B-L-H	415995!	B203	ITM	330385!	B370022BG	SPG	416892	B453106	CONCA	415128
B132704AE	B-L-H	455019!	B20374	WHITE	7208S	B370023BG	SPG	370023A	B4551	WAUKE	473215!
B132704AF	B-L-H	455020	B20376	WHITE	5965	B370024BG	SPG	417505	B45558	VIC	13338
B132704AG	B-L-H	415021	B20377	WHITE	455134!	B370025BG	SPG	416158	B45684	VIC	35327
B132704AH	B-L-H	455022	B2054BGR	SPG	6358	B370026BG	SPG	370026A	B4569VJ	SPG	714569
B132704AJ	B-L-H	415023	B2082BGR	SPG	9128S	B370027BG	SPG	370027A	B45856	VIC	TCS45868
B132704AL	B-L-H	455024	B2082BX	SPG	2082	B370028BG	SPG	416865	B4613R	SPG	4613N
B132704AM	B-L-H	415025	B2082BXR	SPG	9128S	B370029BG	SPG	370029A	B4613RER	SPG	4613N
B132704B	B-L-H	450084!	B20B	FUNK	413247!	B370030BG	SPG	370030A	B4613RER	SPG	4613N
B132704C	B-L-H	473462	B21461	WGEAR	472560N!	B370031BG	SPG	415058	B4614R	SPG	4614N
B132704E	B-L-H	472924!	B21479	WHITE	412920!	B370033BG	SPG	370033A	B4614RER	SPG	4614N
B132704E	CLARK	472924!	B2155BJ	SPG	2155	B370034BG	SPG	370034A	B4675VD8	SPG	714675
B132704F	B-L-H	470530!	B2155BJR	SPG	5089	B370036BG	SPG	370036A	B4679RFR	SPG	714679
B132704G	B-L-H	410102	B23003	BOSTN	340771	B370037BG	SPG	370037A	B4725	WAUKE	450593!
B132704H	B-L-H	416738!	B23377	WHITE	455022	B370043BG	SPG	370043A	B4729	ALLCH	415449!
B132704H	B-L-H	450096	B23525	WHITE	415960!	B370046BG	SPG	370046A	B4738RFR	SPG	4738N
B132704K	B-L-H	413469!	B23915	WHITE	412119	B370047BG	SPG	370047A	B4832CAR	SPG	472572
B132704L	B-L-H	412943	B2424	TMTR	471413	B370048BG	SPG	370048A	B4857VJ8	SPG	4857
B132704M	B-L-H	411253!	B24269	WHITE	411253!	B370051BG	SPG	370051A	B490	ACF	40468
B132704N	B-L-H	410694!	B25212	VIC	13069	B370054BG	SPG	370054A	B4939	ALLCH	470898!
B132704P	B-L-H	412119!	B256	OLIVE	470334!	B370057BG	SPG	370057A	B4A6348A	FORD	5479\$
B132704Q	B-L-H	417073	B256A	OLIVE	471649!	B370063BG	SPG	416865	B4A6701A	FORD	5479\$
B132704R	B-L-H	415001!	B2756R	SPG	2756N=	B370064BGR	SPG	370064A	B4AZ336B	FORD	5479\$
B132704S	B-L-H	415988	B275A	OLIVE	474279N	B370065BG	SPG	370065A	B4J1175A	FORD	415857!
B132704T	B-L-H	415458!	B275B	OLIVE	50199S!	B370066BG	SPG	417507	B4Q1144A	FORD	5487\$
B132704U	B-L-H	455008	B275B	OLIVE	6863S!	B370069BG	SPG	370069A	B4Q1174A	FORD	5487\$
B132704X	B-L-H	415960!	B2TZ1175A	FORD	415960	B370078BGR	SPG	370078A	B4Q1175B	FORD	455858
B13281	CASE	204013	B302	NATL	B300	B370086BG	SPG	370086A	B4Q7288A	FORD	471267!
B13281P	CASE	204013	B302	WMG	B300	B370094BG	SPG	370094A	B4Q7918A	FORD	415449!
B13307	WHITE	417537	B307	ALLCH	472439	B370106BG	SPG	370106A	B4T1181A	FORD	5487\$
B13307X	WHITE	417537	B309	ALLCH	471442!	B370107BG	SPG	370107A	B4T4676A	FORD	410737!
B13310	WHITE	417278	B313	HYST	473449!	B370109BGR	SPG	370109A	B4TZ1001A	FORD	5487\$
B13332	WHITE	416288!	B31311	JOHND	200392	B370119BGR	SPG	370119A	B504	ALLCH	416888!
B137	O-M	482309	B31312	JOHND	200371	B370120BG	SPG	370120A	B510	HU-WR	470059
B137A	JNSON	471648	B32038	WHITE	411253!	B370121BG	SPG	370121A	B510	HU-WR	470380!
B13819	CASE	5458\$	B32039	WHITE	455280	B370124BG	SPG	370124A	B521	HU-WR	415116
B13876	JOHND	204029	B32040	WHITE	415960!	B370131BG	SPG	370131A	B529116	B-L-H	415449!
B13876	JOHND	204507!	B32041	WHITE	416288!	B370132BG	SPG	370132A	B538	HU-WR	470086
B13876B	JOHND	204029	B32042	WHITE	417082	B370145BG	SPG	370145A	B5502	WAUKE	471137
B13876B	JOHND	204507!	B32043	WHITE	417485	B370150BG	SPG	370150A	B572	HU-WR	470050
B1424	ALLCH	416888!	B32044	WHITE	410496!	B370165BG	SPG	415958	B58260	BENDI	410694!
B1443	OLIVE	415449!	B32045	WHITE	415995!	B370166BGR	SPG	370166A	B58693	KELSE	350936
B1451	CR-CF	472439	B32046	WHITE	412119!	B370195VG	SPG	370195A	B5A1190A	FORD	6815
B1452	CR-CF	471137	B32047S	SPG	44X62X8!	B370199V	SPG	370199A	B5A4676A	FORD	6808N
B1458	ALLCH	471765!	B32073	WHITE	412119!	B370199VG0	SPG	370199A	B5A7657A	FORD	7300S
B1459	ALLCH	473426	B32076	WHITE	412119!	B370199VR	SPG	370199A	B5A77288A	FORD	240816
B1464	ALLCH	471466!	B3250	WHITE	415960!	B370211V	SPG	370211A	B5A77362B	FORD	25598
B1479	ALLCH	471652	B3250617	IH	472560N!	B370212V	SPG	370212A	B5A77837A	FORD	473459
B149A	BR-WN	473238	B3267	WAUKE	450033	B370215VX	SPG	417544	B5AZ1190A	FORD	6815
B150683K	CONTI	471413!	B3271	WAUKE	471554!	B370338BG	SPG	370338A%	B5AZ7052A	FORD	473234!
B1517	HU-WR	415458!	B3281	WAUKE	476838!	B370349BG	SPG	370349A%	B5AZ7657A	FORD	7300S
B1520	HU-WR	472572!	B339R	JOHND	411253!	B370352BG	SPG	370352A%	B5AZ7A248A	FORD	473459
B152012EX	OLIVE	470059	B3459RFR	SPG	3459	B376590BG	SPG	376590A%	B5AZ7A294A	FORD	25598
B152012EX	OLIVE	470380!	B3693M	AT IM	352541	B3830	ALLCH	416888!	B5D4676A	FORD	6808N
B1524	ALLCH	451583!	B370001BG	SPG	370001A	B3857	WAUKE	470530!	B5QH1190A	FORD	6638S
B15300B	JOHND	200392	B370002BG	SPG	370002A	B3945RFR	SPG	3945	B5T7274A	FORD	6847S
B16154P	CASE	415254	B370003BG	SPG	370003A	B396	F-R-H	415645!	B5T7274B	FORD	471267!
B16159	CASE	471413!	B370004BG	SPG	370004A	B396	F-R-H	455104	B5TZ4676A	FORD	6808N
B16407	CASE	471787!	B370005BG	SPG	370005A	B397	F-R-H	415036	B60305	BENDI	471442!
B166564	HEIL	370036A	B370006BG	SPG	370006A	B399R	JOHND	411253!	B6107	GEM	412767
B17547	WHITE	410496!	B370007BG	SPG	370007A	B3AZ3B592A	FORD	470954	B65468	BENDI	411253!
B17553	WHITE	415196!	B370008BG	SPG	370008A	B3TZ7A011A	FORD	410308!	B66809	BENDI	472705!
B17579	WHITE	416167!	B370008BG1	SPG	370008A	B4142	WAUKE	471549!	B67315	BENDI	411253!
B17767	WHITE	415645!	B370009BG	SPG	417506	B4150RFR	SPG	4150N	B67338	BENDI	470590
B17767	WHITE	455104	B370010BG	SPG	417134	B4150RFR	SPG	710096	B683	MINNM	340771
B17909	US-EL	470712!	B370011BG	SPG	370011A	B41511P	MID-R	473016!	B683	WHITE	340771
B18319	US-EL	412943	B370012BG	SPG	370012A	B4243VGR	SPG	713750	B693	HOUGH	472924!
B18338A	US-EL	415988	B370014BG	SPG	417172	B4245A1	FORD	450044	B693	OLIVE	472924!
B18378	WHITE	415995!	B370015BG	SPG	370015A	B4245A2	FORD	450044	B6938	WAUKE	471570!
B18403	WHITE	412119!	B370018BG	SPG	418028	B430	ITM	1097N	B6981	WAUKE	473444

ALPHABETICAL INTERCHANGE

! Industrial Size/Type % Spindle Mount \$ F-M Number Is Part Of A Kit
 = The U.S. customer service number is 877-4-TIMKEN. The Canadian customer service numbers are 800-565-4927 (English) and 800-565-0438 (French-Canadian).

Mfr. No.	Name	Zero Duplication or Recommended Industrial	Mfr. No.	Name	Zero Duplication or Recommended Industrial	Mfr. No.	Name	Zero Duplication or Recommended Industrial	Mfr. No.	Name	Zero Duplication or Recommended Industrial
BD3534E	VIC	4898	BE3046F	NOK	231052	BG2664E0	NOK	40X55X8	BH1952E0	NOK	1036
BD3537E	NOK	1993	BE3062E0	NOK	223840	BG2972E	NOK	1953	BH1952F0	NOK	1146
BD3537E	NOK	1993	BE3062E0	NOK	38X58X8!	BG2972E0	NOK	42X60X7!	BH1999E	NOK	223340
BD3537F	VIC	225673	BE3062G	NOK	223842	BG3657E	NOK	222310	BH1999E0	NOK	223340
BD3543E	NOK	4898	BE3146E	NOK	224026	BG3657E0	NOK	222310	BH2006-E0	NOK	320595
BD3586E	NOK	710176	BE3309E0	NOK	40X70X8	BG3657E0	NOK	710254	BH2006G	NOK	320595
BD3665	CASE	450456!	BE3310E	NOK	710112	BG3657E02X0	NOK	222310	BH2006G0	NOK	320595
BD3856E	NOK	224870	BE3383E	NOK	224872	BG3774E	NOK	710193	BH2051E0	NOK	40X58X10!
BD3856E0	NOK	224820	BE3383E0	NOK	48X72X7!	BG3988E	NOK	710226	BH2077E	NOK	710109
BD3856E0	NOK	224870	BE3683E	NOK	710143	BG3988E01	NOK	710226	BH2077E0	NOK	710109
BD3945E	NOK	710108	BE3683E0	NOK	710143	BG4091E	NOK	710192	BH2078	NOK	34X54X9
BD3945E	VIC	710108	BE3938F	NOK	223535	BG4091E0	NOK	710192	BH2078E	NOK	710110
BD4007E	NOK	52X68X8	BE3938F0	NOK	223535	BG4678E	NOK	710301	BH2078E0	NOK	710110
BD4007E0	NOK	710292	BE4016E	NOK	225535	BG4678E0	NOK	710301	BH2078F0	NOK	710110
BD4020E	NOK	710108	BE4092E	NOK	710194	BGG283A	NOK	45X72X7!	BH2080G	NOK	710512
BD4020E0	NOK	710108	BE4092E0	NOK	50X68X8!	BGG283A0	NOK	45X72X12!	BH2118E	NOK	222830
BD4088E	NOK	710158	BE4160E	NOK	710132	BGG283A0	NOK	45X72X95	BH2118E0	NOK	222830
BD4198E0	NOK	2008	BE4225E	NOK	223540	BH-3937-E0	NOK	710442	BH2153E0	NOK	105X135X12
BD4198E0	NOK	32X54X10!	BE4344F	NOK	710208	BH-4373-F	NOK	710356	BH2153F	NOK	710349*
BD4221E	NOK	710183	BE4361E	NOK	710207	BH-4503-E0	NOK	710291	BH2153F0	NOK	710349*
BD4248E0	NOK	710251	BE4506E	NOK	710299	BH0253E	NOK	224066	BH2189	NOK	38X50X7!
BD4313E	NOK	710182	BE4506E0	NOK	710299	BH0253E0	NOK	224066	BH2189E	NOK	223801!
BD4320E0	NOK	710250	BE4692E	NOK	710198	BH0269E0	NOK	42X55X8!	BH2189E0	NOK	223801!
BD4326E	NOK	225775	BE5260E0	NOK	225650	BH0317E	NOK	710137	BH2190E	NOK	710111
BD4332E	NOK	710221	BEE008A0	NOK	60X75X8	BH0354E	NOK	55X75X10	BH2190E0	NOK	35X50X8!
BD4332E0	NOK	710221	BEE010A	NOK	75X110X10	BH0354E0	NOK	225545	BH2190E0	NOK	710111
BD4334E	NOK	710412	BEE010A0	NOK	75X110X12	BH0605	NOK	90X110X13	BH2254E	NOK	38X54X7!
BD4374E	NOK	710125	BEE020A0	NOK	45X60X10!	BH0605E	NOK	229005	BH2254E0	NOK	239146
BD4376E	NOK	710127	BEE102A	NOK	80X110X12	BH0605E0	NOK	229005	BH2254E0	NOK	38X54X10
BD4376E0	NOK	55X68X8!	BEE102A0	NOK	80X110X10	BH0605E0	NOK	229006	BH2259E0	NOK	710332
BD4522E	NOK	710437	BEE131A0	NOK	55X72X8!	BH0605F	NOK	229005	BH2259F0	NOK	1121
BD4534E0	NOK	710412	BEE150A0	NOK	155X180X15	BH0605F0	NOK	229005	BH2259G	NOK	710332
BD4618E	NOK	1188	BEE166A0	NOK	35X72X10	BH0605G	NOK	229005	BH2259G0	NOK	710332
BE-2582-F0	NOK	710296	BEE216A0	NOK	55X90X13	BH0605G0	NOK	229005	BH2259G1	NOK	710332
BE0391F0	NOK	225872	BEE409A0	NOK	18X30X7!	BH0605I	NOK	229005	BH2264E	NOK	710233
BE1037E0	NOK	710090	BEE642A0	NOK	35X56X10!	BH0605I0	NOK	229006	BH2264E0	NOK	710233
BE1059E0	NOK	473215=	BF1060E	NOK	487945	BH0605J	NOK	229005	BH2304E0	NOK	710334
BE1192E	NOK	224874	BF1060E0	NOK	487945	BH1030E	NOK	2043	BH2304F0	NOK	710334
BE1192E0	NOK	224874	BF1102E	NOK	494123	BH1030E0	NOK	2043	BH2331E	NOK	710119
BE1192G	NOK	224815	BF1102E0	NOK	494123	BH1034E0	NOK	227610	BH2348E	NOK	228700
BE1192G0	NOK	224815	BF1102E0	NOK	51X63X8	BH1290E	NOK	2081	BH2348E0	NOK	228700
BE1391E0	NOK	472705!	BF1155E	NOK	710145	BH1290E1	NOK	2081	BH2354E	NOK	224663
BE1540E	NOK	239201	BF1155E0	NOK	710145	BH1430E0	NOK	223250	BH2370E	NOK	710138
BE1540E0	NOK	239201	BF1161E	NOK	3677	BH1430E0	NOK	710415	BH2503E	NOK	2655
BE1540F0	NOK	4175	BF1161E0	NOK	3677	BH1431E0	NOK	223602	BH2503E0	NOK	2655
BE1593E0	NOK	1975	BF1668E	NOK	710213	BH1438E	NOK	1021V	BH2506E	NOK	223220
BE1623E	NOK	2443	BF1773E	NOK	3667*	BH1438E0	NOK	1021V	BH2530E0	NOK	32X46X6!
BE1772E	NOK	222835	BF2291E0	NOK	710266	BH1443E	NOK	48X75X10	BH2576E0	NOK	52X70X8!
BE1772E	NOK	28X44X6!	BF2526E0	NOK	80X115X12	BH1443E0	NOK	224979	BH2576E0	NOK	710187
BE1772E0	NOK	222835	BF2595E	NOK	224235	BH1484E	NOK	223340	BH2634E0	NOK	223831
BE2015E	NOK	224872	BF2595E0	NOK	42X58X7!	BH1485E	NOK	228410	BH2634E0	NOK	38X55X7!
BE2015E0	NOK	224872	BF2596-E0	NOK	710323	BH1485E0	NOK	228410	BH2661E	NOK	223843
BE2015E0	NOK	48X72X7!	BF2596E0	NOK	51X63X8	BH1485F	NOK	228410	BH2737E	NOK	1213N
BE2305E	NOK	35X62X7!	BF2986E	NOK	710161	BH1485F0	NOK	228410	BH2737E0	NOK	40X54X6!
BE2305E0	NOK	35X65X10!	BF3705E	NOK	710159	BH1485G	NOK	228410	BH2737F	NOK	710444
BE2305F	NOK	34X62X10	BF4717E	NOK	710300	BH1485G0	NOK	228410	BH2755E	NOK	228480
BE2350E0	NOK	710118	BF4717E0	NOK	710300	BH1485I0	NOK	228410	BH2820E	NOK	710446
BE2351E0	NOK	710124	BFF282A0	NOK	51X63X8	BH1581F0	NOK	36X50X7!	BH2820E0	NOK	68X88X8!
BE2353E0	NOK	710122	BG1233	HU-WR	471224	BH1673E0	NOK	28X44X6!	BH2820E0	NOK	710446
BE2590E0	NOK	710123	BG1583E	NOK	494117	BH1742	NOK	70X92X12	BH2844E	NOK	223253
BE2605E0	NOK	710098	BG1583F0	NOK	710097	BH1742E	NOK	227045	BH2844E0	NOK	223253
BE2698E0	NOK	320564	BG2033E	NOK	1937	BH1742E0	NOK	227045	BH2845E	NOK	228250
BE2727E	NOK	225875	BG2033E0	NOK	1937	BH1742F	NOK	227045	BH2845E	NOK	710448
BE2727E0	NOK	58X75X11	BG2034E	NOK	1936	BH1818E	NOK	710318	BH2845F	NOK	228250
BE3009E	NOK	710139	BG2034E0	NOK	1936	BH1818E0	NOK	710318	BH2845F	NOK	710448
BE3021E0	NOK	710252	BG2038E	NOK	710148	BH1882F	NOK	223602	BH2845F0	NOK	228250
BE3025G	NOK	710121	BG2038E0	NOK	710148	BH1937E	NOK	710157	BH2845F0	NOK	710448
BE3025G0	NOK	710121	BG2039E0	NOK	224772	BH1937E0	NOK	27X43X8!	BH2851E	NOK	710247
BE3033E	NOK	710073	BG2039F0	NOK	224772	BH1937E0	NOK	710157	BH2851E0	NOK	710247
BE3040F	NOK	231052	BG2257	NOK	37X52X8	BH1941E	NOK	710310	BH2972E0	NOK	42X60X7!
BE3046E	NOK	231052	BG2616E0	NOK	224254	BH1941E1	NOK	32X47X7!	BH3004E	NOK	224215
BE3046E0	NOK	231052	BG2664E	NOK	473677	BH1952E	NOK	1036	BH3004E0	NOK	224215

ALPHABETICAL INTERCHANGE

! Industrial Size/Type * Minor Width Difference

= The U.S. customer service number is 877-4-TIMKEN. The Canadian customer service numbers are 800-565-4927 (English) and 800-565-0438 (French-Canadian).

Zero Duplication or Recommended Industrial		Zero Duplication or Recommended Industrial		Zero Duplication or Recommended Industrial		Zero Duplication or Recommended Industrial	
Mfr. No.	Name	Mfr. No.	Name	Mfr. No.	Name	Mfr. No.	Name
BH3004E0	NOK	BH4293E	NOK	BP13829	JOHND	BS238	MCCOR
BH3007	NOK	BH4293F	NOK	BP13831	JOHND	BS239	MCCOR
BH3007F	NOK	BH4294F	NOK	BP13831E	JOHND	BS246	MCCOR
BH3007F0	NOK	BH4366E	NOK	BP13831E	JOHND	BS247	MCCOR
BH3009F0	NOK	BH4371E	NOK	BP13831E	JOHND	BS252	CLEVI
BH3019F	NOK	BH4371E0	NOK	BP1471E	NOK	BS253	MCCOR
BH3022E	NOK	BH4375	NOK	BP1481E	NOK	BS255	MCCOR
BH3022E0	NOK	BH4375F0	NOK	BP1595E	NOK	BS257	CLEVI
BH3037E	NOK	BH4392F0	NOK	BP1908E0	NOK	BS257	CLEVI
BH3037E0	NOK	BH4476E	NOK	BP2151E	NOK	BS258	MCCOR
BH3040E	NOK	BH4503F	NOK	BP2175E0	NOK	BS261	MCCOR
BH3041E0	NOK	BH4503F0	NOK	BP2285E	NOK	BS261	MCCOR
BH3146E	NOK	BH4505E0	NOK	BP2285E0	NOK	BS261	MCCOR
BH3146F	NOK	BH4513E0	NOK	BP2601	AUTSP	BS263	MCCOR
BH3146H	NOK	BH4519E0	NOK	BP2715E0	NOK	BS267	MCCOR
BH3152E	NOK	BH4545E0	NOK	BP2968E0	NOK	BS271	MCCOR
BH3152E0	NOK	BH4546E0	NOK	BP3000E	NOK	BS276	MCCOR
BH3152G0	NOK	BH4569E0	NOK	BP3000E0	NOK	BS279	MCCOR
BH3152H0	NOK	BH4576E	NOK	BP3024F0	NOK	BS283	MCCOR
BH3208E	NOK	BH4592E0	NOK	BP3379F0	NOK	BS286	CLEVI
BH3208E0	NOK	BH4638E	NOK	BP3754E	NOK	BS286	CLEVI
BH3208F	NOK	BH4638E0	NOK	BP3881E	NOK	BS290	MCCOR
BH3208F0	NOK	BH4660E0	NOK	BP4706E0	NOK	BS290	MCCOR
BH3288F	NOK	BH4687A0	NOK	BR1153E0	NOK	BS292	MCCOR
BH3288F0	NOK	BH4701E	NOK	BR1443E	NOK	BS293	MCCOR
BH3289E	NOK	BH4701E0	NOK	BR1443E0	NOK	BS301	MCCOR
BH3289E0	NOK	BH4718F0	NOK	BR3149E	NOK	BS30136	AIWDI
BH3289G	NOK	BH4746E	NOK	BR3489E	NOK	BS311	MCCOR
BH3290E	NOK	BH4746E	NOK	BS140	CLEVI	BS312	MCCOR
BH3290E0	NOK	BH4790G	NOK	BS140	CLEVI	BS313	MCCOR
BH3310E	NOK	BH5052E	NOK	BS148	CLEVI	BS314	CLEVI
BH3310E0	NOK	BH5052E0	NOK	BS148	MCCOR	BS314	CLEVI
BH3340E	NOK	BH5149F	NOK	BS1500	TRUST	BS315	MCCOR
BH3340E0	NOK	BH5149F0	NOK	BS1501	TRUST	BS315	MCCOR
BH3340E0	NOK	BH5278EV	NOK	BS1505	TRUST	BS315	MCCOR
BH3475E0	NOK	BH5279F	NOK	BS1507	TRUST	BS317	CLEVI
BH3488E	NOK	BHH001A0	NOK	BS158	MCCOR	BS317	CLEVI
BH3488E0	NOK	BHH013-A0	NOK	BS160	CLEVI	BS321	MCCOR
BH3526E0	NOK	BHH013-B0	NOK	BS160	CLEVI	BS329	MCCOR
BH3615E0	NOK	BHH013AO	NOK	BS160	MCCOR	BS334	MCCOR
BH3670E	NOK	BHH518A0	NOK	BS161	MCCOR	BS336	MCCOR
BH3680E	NOK	BHH547A0	NOK	BS161	MCCOR	BS337	MCCOR
BH3687E0	NOK	BHH550-A0	NOK	BS161	MCCOR	BS337	MCCOR
BH3757E	NOK	BHH556A	NOK	BS168	MCCOR	BS349	MCCOR
BH3766F	NOK	BHH556A0	NOK	BS168	MCCOR	BS352	MCCOR
BH3766F0	NOK	BHH687B0	NOK	BS168	MCCOR	BS354	CLEVI
BH3845E0	NOK	BHH814-A0	NOK	BS17	MCCOR	BS359	MCCOR
BH3845E0	NOK	BHH815-A0	NOK	BS174	CLEVI	BS362	MCCOR
BH3854E0	NOK	BHH816-A0	NOK	BS184	MCCOR	BS374	MCCOR
BH3882E	NOK	BHH816-A0	NOK	BS184	MCCOR	BS377	MCCOR
BH3882F	NOK	BHH817-A0	NOK	BS185	MCCOR	BS382	MCCOR
BH3966E	NOK	BHH819-A0	NOK	BS186	CLEVI	BS383	MCCOR
BH3966E0	NOK	BJ137A	JNISON	BS187	MCCOR	BS392	MCCOR
BH4031E0	NOK	BK15520	MACK	BS188	MCCOR	BS394	MCCOR
BH4031E0	NOK	BK8	C-R	BS194	MCCOR	BS397	MCCOR
BH4031E0	NOK	BL146	BR-WN	BS194	MCCOR	BS40042	AIWDI
BH4053E	NOK	BL156	BR-WN	BS197	MCCOR	BS40380	AIWDI
BH4089E	NOK	BM1432A	NATSU	BS202	MCCOR	BS42	MCCOR
BH4089E0	NOK	BM1432B	NATSU	BS203	MCCOR	BS42	MCCOR
BH4089E0	NOK	BNO7204	MASSE	BS209	MCCOR	BS43	MCCOR
BH4089F0	NOK	BO2056E0	NOK	BS210	MCCOR	BS47	MCCOR
BH4093E0	NOK	BOS731	PAARS	BS214	MCCOR	BS51	MCCOR
BH4093F0	NOK	BOS731	PAARS	BS216	MCCOR	BS51	MCCOR
BH4127E	NOK	BOS774	PAARS	BS217	MCCOR	BS66	MCCOR
BH4214E	NOK	BP-1471-E0	NOK	BS223	CLEVI	BS66	MCCOR
BH4214E0	NOK	BP10881	JOHND	BS223	MCCOR	BS7	MCCOR
BH4214E0	NOK	BP12606	JOHND	BS225	MCCOR	BS72	MCCOR
BH4215E	NOK	BP1315E0	NOK	BS225	MCCOR	BS75	MCCOR
BH4215E0	NOK	BP13166	JOHND	BS229	MCCOR	BS76	MCCOR
BH4270E0	NOK	BP13166E	JOHND	BS23	MCCOR	BS78	MCCOR
BH4270F	NOK	BP13715E	JOHND	BS233	MCCOR	BS85	MCCOR
BH4273E0	NOK	BP13715E	JOHND	BS235	MCCOR	BS86	MCCOR
				BS236	MCCOR		

! Industrial Size/Type

= The U.S. customer service number is 877-4-TIMKEN. The Canadian customer service numbers are 800-565-4927 (English) and 800-565-0438 (French-Canadian).

OIL SEALS

BS9 – C3AE6700A1

Mfr. No.	Name	Zero Duplication or Recommended Industrial	Mfr. No.	Name	Zero Duplication or Recommended Industrial	Mfr. No.	Name	Zero Duplication or Recommended Industrial	Mfr. No.	Name	Zero Duplication or Recommended Industrial
BS9	MCCOR	5585	C10274	AT SU	471821!	C1AE6700A	FORD	350936	C2AP7A248B	FORD	473459
BT1042	HU-WR	415187	C102747	SCHWI	473211!	C1AE6700A1	FORD	350936	C2AW4676A3	FORD	7044NA
BT1044	HU-WR	415035	C10275	AT SU	474265	C1AE6700A2	FORD	350936	C2AZ3B592A	FORD	470954
BW2780E	NOK	225874	C104814	SCHWI	450129	C1AE6700B	FORD	350936	C2AZ4676A	FORD	7044NA
BW2929	MASSE	473463	C104814	SCHWI	472826!	C1AE6700B1	FORD	350936	C2AZ4676B	FORD	7044NA
BW2948	MASSE	473463	C104815	SCHWI	473367	C1AE6700B2	FORD	350936	C2AZ6700A	FORD	350936
BW3681E	NOK	224150	C104815	SCHWI	473367!	C1AE6700B3	FORD	350936	C2AZ7052A	FORD	7692S
BW3681E0	NOK	224150	C105073	SCHWI	471649!	C1AP-7052-B	FORD	7300S	C2AZ7A248A	FORD	331107N
BW3681E1	NOK	224150	C105798	SCHWI	472185!	C1AP7052A	FORD	7692S	C2DA7288A	FORD	7399S!
BW3681E2	NOK	224150	C107373	SCHWI	473367!	C1AZ6A321C	FORD	5390	C2DZ3591A	FORD	240414
BW3684E	NOK	710214	C107373	SCHWI	473367!	C1AZ7C098A	FORD	424	C2DZ7288A	FORD	7399S!
BW3691E	NOK	710246	C107592	SCHWI	473016!	C1DD1190A	FORD	7994S	C2DZ7A011A	FORD	471651
BW3691E0	NOK	710246	C108187	SCHWI	472572!	C1DR3591A3	FORD	240414	C2OE6701A	FORD	5095
BW3692E	NOK	710527	C108189	SCHWI	476838!	C1DW1177A	FORD	484054	C2OP7052B	FORD	7692S
BW3694E	NOK	710528	C108190	SCHWI	471705!	C1DW1177A1	FORD	484054	C2OR3591A	FORD	240151
BW4265E	NOK	710133	C1087	OLIVE	471820	C1DW1177A2	FORD	484054	C2OW1177A	FORD	8168=
BX15940E	JOHND	204002	C108850	SCHWI	471192	C1DZ1177A	FORD	484054	C2OW1177A2	FORD	8168=
BX42145	JOHND	410496!	C110460	SCHWI	472012	C1DZ1190A	FORD	7994S	C2OW3635	FORD	8168=
BY404493	LETN	415442!	C110849	SCHWI	473238	C1MZ7C098A	FORD	424	C2OW4676B	FORD	472070
BY404493	LETN	55442	C1110	OLIVE	415995!	C1TT1190A	FORD	7780	C2OW4676C	FORD	472070
BY440493	LK-BT	415442!	C111089	SCHWI	471787!	C1TT1190B	FORD	416273!	C2OW4676C3	FORD	472070
BY440493	LK-BT	55442	C111576	SCHWI	473016!	C1TT3591D	FORD	450400	C2OZ1177A	FORD	8168=
BZ1106E	NOK	5778	C112594	SCHWI	471689!	C1TT3591E	FORD	450400	C2OZ4676A	FORD	472070
BZ1106E0	NOK	5778	C113841	SCHWI	471224!	C1TT3591F	FORD	323138!	C2OZ4676B	FORD	472070
BZ3441E	NOK	710107	C115	UNIT	472397!	C1TT3591G	FORD	474278	C2OZ6701A	FORD	5095\$
BZ3441E0	NOK	710107	C119	UNIT	416339	C1TT3591H	FORD	6859S	C2SZ3591A	FORD	471413!
BZ4396E	NOK	710178	C119	UNIT	455031!	C1TT3591H	FORD	474276!	C2SZ3591A	FORD	7412S
C-0500	GRAM	50266	C12079	CASE	470390	C1TT4373A	FORD	416500	C2SZ3B592A	FORD	470954!
C-ND1608A	FAIRB	351487	C1251	LEROI	472572!	C1TT4478A	FORD	417484!	C2TA38007C	FORD	370007A
C01Q1190A	FORD	416865!	C12510	LEROI	476838!	C1TT4573A	FORD	416500	C2TA4813A	FORD	417484!
C01Q1190B	MARMO	416865!	C12511	LEROI	471224!	C1TT4676A	FORD	415960	C2TR3591A	FORD	472560N
C01Q19846A2	FORD	472394	C12512	LEROI	417205!	C1TT4813A	FORD	471271!	C2TS38007A	FORD	370007A
C04	ATP	473179	C12517	LEROI	450033	C1TT4813B	FORD	415995!	C2TS4A052A	FORD	370023A
C0DD1190A	FORD	7994S	C1252	LEROI	411394!	C1TT4813C	FORD	410308!	C2TZ4813A	FORD	417484!
C0DE6700A	FORD	473237	C12522	LEROI	411253!	C1TZ21190A	FORD	416273!	C2TZ7A011A	FORD	416426H=
C0DE6700A3	FORD	473237	C12525	LEROI	473463	C1TZ3591A	FORD	471224!	C305208	GW	471224!
C0DE6701A	FORD	5095	C1253	LEROI	6283S	C1TZ4676A	FORD	415960	C305232	SCHWI	472354!
C0DP7A248A	FORD	331107N	C1255	LEROI	410102	C1UP7B498A	FORD	7929S	C305233	SCHWI	240009
C0DP7A32	FORD	473214	C12747	MID-R	471413	C1UU1190A	FORD	472164	C30632	VIC	35292
C0DR1177A3	FORD	451182	C132214	CUMMI	471763	C1UW1177	FORD	51322	C30727	VIC	35316
C0DR3591A	FORD	240414	C135111	SPICE	417484!	C1UW1177A	FORD	51322	C30796	VIC	35315
C0DR3591A3	FORD	240414	C13612	JOHND	473473	C1UW1177A3	FORD	51322	C30982	VIC	35292
C0DR7052A	FORD	473214	C13612C	JOHND	473473	C1UW4676B	FORD	7457N	C31061	VIC	35508
C0DR7288A	FORD	7399S!	C139854	SCHWI	471688=	C1UW4676B1	FORD	7457N	C31090	VIC	35292
C0DR77047	FORD	480210!	C1401	CLARK	415449!	C1U21190A	FORD	472164	C31156	VIC	35011
C0DR7A283A	FORD	480210!	C1443	HOUGH	415988	C1UZ4676B	FORD	7457N	C31156	VIC	35394
C0DW1177A	FORD	451182	C1443	OLIVE	415988	C1UZ4676C	FORD	7457N	C3118	LEROI	471764!
C0DW1177A3	FORD	451182	C1443A	OLIVE	415960!	C1VP7052A	FORD	473473	C31197	VIC	35524
C0DW1177A4	FORD	451182	C14872	JOHND	472213	C1VP7B498A	FORD	7929S	C31207	VIC	35162
C0DW4676A	FORD	7457N	C14873	JOHND	471692!	C1VV1177A	FORD	482253	C31227	VIC	35486
C0DZ4676A	FORD	7457N	C149	UNIT	470059	C1VV1177B	FORD	482253	C31262	VIC	35402
C0LR3591E	FORD	471652	C149	UNIT	470380!	C1VV1177C	FORD	482253	C3127	LEROI	474254
C0LR3B699A	FORD	7738 *=	C150811	SCHWI	471567!	C1VV1190	FORD	472164	C31273	VIC	35001
COMM7048A	FORD	471504	C151	IRON	411253!	C1VV1190A	FORD	9150S	C31284	VIC	35361
COMW4676A	FORD	7044NA	C152006EX	OLIVE	470059	C20119	VIC	25598	C31301	VIC	35402
CONN1190B	FORD	471870!	C152006EX	OLIVE	470380!	C20322	VIC	35316	C31325	VIC	35342
CONN1190C	FORD	200855	C15265	JOHND	416664!	C20341	VIC	35094	C31348	VIC	35555
CONN4115B	FORD	417621!	C16322	JOHND	473237!	C2208	MASSE	50081	C31398	VIC	35261
CONN6700A	FORD	350936	C16323	JOHND	42352S	C23584EX	OLIVE	473228	C31421	VIC	35526
CONN6701A	FORD	350936	C16326	JOHND	472258!	C24096	VIC	35316	C31514	VIC	422
CONN7048A	FORD	471504 *	C165	MID-R	471750!	C24173	VIC	35315	C319616	JEFF	472924!
CONN7052A	FORD	472258!	C1700	MID-R	471554!	C24216	VIC	35507	C319618	JEFF	415995!
CONN7052A1	FORD	472258!	C17435	SCHWI	450084!	C2583E	JOHND	480821!	C35434301043	IH	455080
CONNA734A	FORD	412920!	C175004	JEFF	413478	C263	UNIT	472185!	C3577	JOHND	415027
C0TT4813C	FORD	417484!	C17909	US-EL	470712!	C2AA3B592A	FORD	470954	C3577E	JOHND	415027!
C0TT7B216A	FORD	470954	C17914	US-EL	472185!	C2AE6700A	FORD	350936	C3577E	JOHND	415027!
C0TZ4813A	FORD	417484!	C18338	US-EL	415988	C2AE6700A1	FORD	350936	C3577E	JOHND	415027!
C0TZ7288A	FORD	470954	C19540	JOHND	471854!	C2AE6700A2	FORD	350936	C390212	FORD	470088
C10068333	STEEL	240385	C19728	JOHND	471765!	C2AE6700B	FORD	350936	C3939	JOHND	323138!
C10068334	STEEL	340853	C1AA1177A	FORD	473228	C2AP7052A	FORD	7692S	C3940E	JOHND	41461S
C102467	SCHWI	473211!	C1AE6336A	FORD	5596=	C2AP7A248A	FORD	331107N	C3AE6700A	FORD	2942
C10260	CASE	471466!	C1AE6336B	FORD	5390\$	C2AP7A248A2	FORD	331107N	C3AE6700A1	FORD	2942

ALPHABETICAL INTERCHANGE

! Industrial Size/Type * Minor Width Difference \$F-M Number Is Part Of A Kit
 = The U.S. customer service number is 877-4-TIMKEN. The Canadian customer service numbers are 800-565-4927 (English) and 800-565-0438 (French-Canadian).

Zero Duplication or Recommended Industrial		Zero Duplication or Recommended Industrial		Zero Duplication or Recommended Industrial		Zero Duplication or Recommended Industrial		
Mfr. No.	Name	Mfr. No.	Name	Mfr. No.	Name	Mfr. No.	Name	
C3AZ3591A	FORD	472560N	C4VY4676C	FORD	6808N	C6UW4676A	FORD	7457N
C3AZ4676A	FORD	7044NA	C502	ITM	50402	C6VP7052A	FORD	473473
C3AZ6700A	FORD	2942	C51	UNIT	415458!	C6VW1177A	FORD	482253
C3AZ6700A	FORD	350936	C58	UNIT	472397!	C6VY1177A	FORD	482253
C3AZ7052A	FORD	7300S	C5AA1190A1	FORD	6815	C6VY7052A	FORD	473473
C3AZ7A248A	FORD	473459	C5AA1190A2	FORD	6815	C70Z-3591-A	FORD	472560N
C3OP7A248A1	FORD	331107N	C5AR3B592B2	FORD	471538	C759	ITM	471827
C3OW1177B	FORD	9569S	C5AR7A283A	FORD	471652	C77115	C-P	40208
C3SZ3591A	FORD	471646!	C5AR7A283A	FORD	482208!	C777	ITM	471195!
C3TA1175F	FORD	417506	C5AZ-3D526A	FORD	471645	C786	ITM	470898
C3TA1175FA	FORD	417506	C5AZ3B592B	FORD	471538	C788	ITM	472492!
C3TA1190A	FORD	7780	C5AZ3B592C	FORD	471538	C79078	C-P	472951
C3TA1190B	FORD	44052	C5AZ3D732A	FORD	PSK-1	C79078	C-P	474252
C3TA1190D	FORD	6954S	C5AZ6701B	FORD	2377	C7AW1177A	FORD	8660S
C3TA4478A	FORD	416654	C5AZ6701B	FORD	5278	C7AW1177F	FORD	473228
C3TA4676A	FORD	417487!	C5AZ7052A	FORD	7412S	C7AW1177H	FORD	8660S
C3TA4676A	FORD	417487	C5FR7A283A	FORD	471413!	C7AW1177J	FORD	473228
C3TA4813A	FORD	415995!	C5NN-3C615B	FORD	481163	C7AW4676A	FORD	3604
C3TR7A283A	FORD	472354!	C5NN-77047-A	FORD	472150	C7AZ1177A	FORD	8660S
C3TS38007C	FORD	370001A	C5NN-77086-A	FORD	712144	C7AZ4676A	FORD	3604
C3TS38007C	FORD	380001A	C5NN-7N097-A	FORD	342805	C7AZ7B498A	FORD	7929S
C3TS38007D	FORD	370001A	C5NN6700A	FORD	413246	C7DW1177A	FORD	9161
C3TS38007D	FORD	380001A	C5NNA734A	FORD	472018	C7DW1177B	FORD	9161
C3TS38007E	FORD	370007A	C5NNP709B	FORD	473234!	C7NN7048B	FORD	473454
C3TS4A052E	FORD	370036A	C5TA1175A	FORD	410987!	C7OR3591A3	FORD	472560N
C3TZ1190A	FORD	7780	C5TA1190A	FORD	370179A	C7OW1177E	FORD	9569S
C3TZ1190C	FORD	417134	C5TA1190A	FORD	4148	C7OW1177F	FORD	9363S
C3TZ3591A	FORD	340413	C5TA1190A	FORD	471424!	C7OW1177K	FORD	9569S
C3TZ4478A	FORD	416654	C5TA1190C	FORD	4148	C7OW1177L	FORD	9569S
C3TZ4478B	FORD	417487!	C5TA1190C	FORD	471424!	C7OZ1177A	FORD	9363S
C3TZ4478B	FORD	417487	C5TA1190D	FORD	370179A!	C7OZ1177B	FORD	9569S
C3TZ4676A	FORD	417487!	C5TA1190D	FORD	9339S	C7OZ3591A	FORD	472560N
C3TZ4676A	FORD	417487	C5TS38007D	FORD	370007A	C7TA1190B1	FORD	44053
C3TZ4676B	FORD	416282	C5TZ1190A	FORD	4148	C7TA1190B2	FORD	44053
C3TZ4813A	FORD	415995!	C5TZ1190A	FORD	471424!	C7TA1190D2	FORD	4148
C3TZ7A248B	FORD	472354!	C5TZ1190D	FORD	370179A!	C7TA1190D2	FORD	471424!
C3TZ7A283B	FORD	472354!	C5TZ1190D	FORD	9339S	C7TS38007A	FORD	370001A
C3UA1190A	FORD	472164	C5TZ7052A	FORD	7412S	C7TS38007A	FORD	380001A
C3UW4676A	FORD	7457N	C5TZ7052B	FORD	470380!	C7TW1177A	FORD	473228
C3VA4676A	FORD	6808N	C5ZA1190A	FORD	6815	C7TZ1175A	FORD	9864S
C4008	JOHND	474278	C5ZZ1190A	FORD	6815	C7TZ1190B	FORD	44053
C411033A	BRWNG	455592	C610	ITM	472164!	C7TZ1190C	FORD	6954S
C4123	GRAY	472439	C61070	C-P	470774!	C7TZ1190D	FORD	4148
C43147	PETTI	472636!	C617	ITM	470898	C7TZ1190D	FORD	471424!
C45407	VIC	35094	C63382	C-P	451583!	C7TZ7A283A	FORD	456744N
C45551	VIC	35327	C649	ITM	472492!	C7TZ7A283B	FORD	415995!
C459	UNIT	415082	C69	STANT	25598	C7UW1177D	FORD	9568
C460	ITM	472164!	C693A	OLIVE	413469!	C7UW1177F	FORD	51322
C463	ITM	471192	C6AE6B314A	FORD	JV1368=	C7UW1177G	FORD	9568
C4FR7A283A	FORD	7412S	C6AW4676A	FORD	7044NA	C7VW1177A	FORD	482253
C4OZ1177A	FORD	9569S	C6AZ1190A	FORD	9150S	C86639	C-P	240151
C4TA1190A	FORD	7866S	C6DW1177D	FORD	9161	C86640	C-P	473211!
C4TA4676A	FORD	415458	C6DZ1177A	FORD	9161	C86643	C-P	6597S
C4TA4676B	FORD	415458=	C6OW4676	FORD	472070	C87265	C-P	470954!
C4TA7048A	FORD	482163!	C6T21175B	FORD	412119!	C87466	C-P	240733
C4TE6700A	FORD	413246	C6T21181A	FORD	472747	C87467	C-P	240716
C4TE6700A1	FORD	413246	C6T21190A	FORD	472394	C8878143	BENDI	471785!
C4TR7052A1	FORD	410059	C6TZ3171A	FORD	204005	C8AW4676A	FORD	7044NA
C4TR7052A1	FORD	470380!	C6TZ3254A	FORD	471766	C8AZ1190A	FORD	6815
C4TS38007B	FORD	370001A	C6TZ3254B	FORD	472258!	C8HA1173A	FORD	370019A
C4TS38007B	FORD	380001A	C6TZ3254C	FORD	5131	C8HA1173B	FORD	370019A
C4TZ-7051A	FORD	482163!	C6TZ3254D	FORD	471766!	C8HA1173C	FORD	370021A
C4TZ1190A	FORD	7866S	C6TZ4676A	FORD	5778	C8HA1173D	FORD	370021A
C4TZ4676A	FORD	415458	C6TZ4676B	FORD	6808N	C8HA1175A	FORD	370019A
C4TZ6700A	FORD	413246	C6TZ7052A	FORD	410059	C8HA1175B	FORD	370019A
C4TZ7048A	FORD	482163!	C6TZ7052A	FORD	470380!	C8HA1175C	FORD	370021A
C4TZ7052A	FORD	410059	C6TZ7052B	FORD	410059	C8HA1175D	FORD	370021A
C4TZ7052A	FORD	470380!	C6TZ7288C	FORD	471466!	C8HZ1175A	FORD	370019A
C4UP7052A	FORD	470687	C6TZ7918A	FORD	415983N!	C8HZ1175B	FORD	370021A
C4UZ7052A	FORD	470687	C6TZ7A283A	FORD	415991	C8HZ4674A	FORD	712937
C4VW4676B	FORD	6808N	C6TZ7B215A	FORD	473229	C8JJ6701A	FORD	415138!
C4VY4676A	FORD	6808N	C6TZ7B215D	FORD	470682	C8OW4676A	FORD	472070=
C8T24676B	FORD	413246	C8T27048A	FORD	472164!	C8TA1173C	FORD	370047A
C8T27048A	FORD	472164!	C8T27173D	FORD	370047A	C8TA1173G	FORD	370023A
C8TA1173C	FORD	370047A	C8TA1173H	FORD	370023A	C8TA1175A	FORD	417353=
C8TA1173D	FORD	370047A	C8TA1175A	FORD	417353=	C8TA1175B	FORD	9584
C8TA1173G	FORD	370023A	C8TA1175C	FORD	9584	C8TA1175D	FORD	9584
C8TA1173H	FORD	370023A	C8TA1175E	FORD	370008A	C8TA1175F	FORD	370023A
C8TA1175A	FORD	417353=	C8TA1175G	FORD	370023A	C8TA1175H	FORD	370023A
C8TA1175B	FORD	417353=	C8T21175B	FORD	9584	C8T21175C	FORD	370008A
C8TA1175C	FORD	9584	C8T21175D	FORD	370023A	C8T21175E	FORD	370008A
C8TA1175D	FORD	9584	C8T21175F	FORD	473228!	C8T21175G	FORD	417353=
C8TA1175E	FORD	9584	C8T24676A	FORD	416654	C8T24676B	FORD	413246
C8TA1175F	FORD	370008A	C8T27048A	FORD	472164!	C8T27918A	FORD	415991!
C8TA1175G	FORD	370023A	C8UW1177A	FORD	9568	C900	ITM	474274
C8TA1175H	FORD	370023A	C900	ITM	474274	C90Z6701A	FORD	5095
C8T21175A	FORD	417353=	C90Z6701A	FORD	5095	C920713	KOEH	471498
C8T21175B	FORD	9584	C920713	KOEH	471498	C920732	KOEH	471760
C8T21175C	FORD	370008A	C920732	KOEH	471760	C9526	WHITE	415023
C8T21175D	FORD	370023A	C9526	WHITE	415023	C9AE6701B	FORD	5116
C8T21175E	FORD	370008A	C9AE6701B	FORD	5116	C9AR7A283A	FORD	471652
C8T21175F	FORD	473228!	C9AR7A283A	FORD	482208!	C9AR7A283AA	FORD	3638
C8T21175G	FORD	416654	C9AR7A283AA	FORD	3638	C9AZ-7A283A	FORD	3638
C8T21175H	FORD	413246	C9AZ-7A283A	FORD	3638	C9TA1177A	FORD	473228
C8T27048A	FORD	472164!	C9TA1177A	FORD	473228	C9AZ6701A	FORD	5118
C8T27918A	FORD	415991!	C9AZ6701A	FORD	5118	C9AZ6701B	FORD	5116
C8UW1177A	FORD	9568	C9AZ6701B	FORD	5116	C9DZ1177A	FORD	9161
C900	ITM	474274	C9DZ1177A	FORD	9161	C9HA1175A	FORD	370019A
C90Z6701A	FORD	5095	C9HA1175A	FORD	370019A	C9HA1175B	FORD	370019A
C920713	KOEH	471498	C9HA1175B	FORD	370019A	C9HA1175C	FORD	370021A
C920732	KOEH	471760	C9HA1175C	FORD	370021A	C9HA1175D	FORD	370021A
C9526	WHITE	415023	C9HA1175D	FORD	370021A	C9HA1190A	FORD	370054A
C9AE6701B	FORD	5116	C9HA1190A	FORD	370054A	C9HA1190B	FORD	370057A
C9AR7A283A	FORD	471652	C9HA1190B	FORD	370057A	C9HS1131A	FORD	HU036A
C9AR7A283A	FORD	482208!	C9HS1131B	FORD	HU110A	C9HS1131C	FORD	HU110A
C9AR7A283AA	FORD	3638	C9HS1131C	FORD	HU110A	C9HZ1175A	FORD	370019A
C9AZ-7A283A	FORD	3638	C9HZ1175A	FORD	370019A	C9HZ1175B	FORD	370021A
C9TA1177A	FORD	473228	C9HZ1175B	FORD	370021A	C9HZ1190A	FORD	2674
C9AZ6701A	FORD	5118	C9HZ1190A	FORD	2674	C9HZ1190A	FORD	370054A
C9AZ6701B	FORD	5116	C9NN4N109A	FORD	415449	C9HZ1190B	FORD	370057A
C9DZ1177A	FORD	9161	C9NN7N838A	FORD	415458	C9NN7N839A	FORD	473227=
C9HA1175A	FORD	370019A	C9NN7N839A	FORD	473227=	C9OZ6701A	FORD	5095
C9HA1175B	FORD	370019A	C9OZ6701A	FORD	5095	C9TA1175A	FORD	4250
C9HA1175C	FORD	370021A	C9TA1175A	FORD	4250	C9TA1175B	FORD	4250
C9HA1175D	FORD	370021A	C9TA1175B	FORD	4250	C9TA1175B1	FORD	4250
C9HA1190A	FORD	370054A	C9TA1175B2	FORD	4250	C9TA1175B2	FORD	4250
C9HA1190B	FORD	370057A	C9TA1175B3	FORD	4250	C9TA1175C2	FORD	9864S
C9HS1131A	FORD	HU036A	C9TA1175C2	FORD	9864S	C9TA1175E	FORD	417353=
C9HS1131B	FORD	HU1						

OIL SEALS

C9TAC1175A1 – D1FZ1177A

Mfr. No.	Name	Zero Duplication or Recommended Industrial	Mfr. No.	Name	Zero Duplication or Recommended Industrial	Mfr. No.	Name	Zero Duplication or Recommended Industrial	Mfr. No.	Name	Zero Duplication or Recommended Industrial
C9TAC1175A1	FORD	416273	CB8511513	FORSH	85X115X13	CP6072R	FAIRB	417603!	D0TZ1175D	FORD	5667
C9TZ1175A	FORD	4250	CB8811012	FORSH	88X110X12	CP6072W	FAIRB	416239!	D0TZ1175E	FORD	417506
C9TZ1175B	FORD	9864S	CB9212013	FORSH	92X120X13	CP6072X	FAIRB	415482	D0TZ1175F	FORD	5089\$
C9TZ1175B1	FORD	4250	CB9227	FORSH	9X22X7	CP6072Y	FAIRB	417020	D0TZ1177A	FORD	710067
C9TZ1175C	FORD	4250	CB9511512	FORSH	95X115X12	CP6147A	FAIRB	415991	D0TZ1190A	FORD	2222
C9TZ1190A	FORD	416273!	CB9512512	FORSH	95X125X12	CP6147A	FAIRB	455146!	D0TZ4676A	FORD	9316
C9TZ4676A	FORD	9773	CB9812013	FORSH	98X120X13	CP6147B	FAIRB	416865!	D0TZ7A011A	FORD	471271!
C9TZ7052A	FORD	474276	CBS1	FITZ	5419	CP6147C	FAIRB	416107!	D0UW4676A	FORD	7044NA
C9TZ7052B	FORD	100495	CBS18	FITZ	5585	CP6147C	FAIRB	455073	D10026	JOHND	203006!
C9TZ7052B	FORD	417349	CBS43	FITZ	5596=	CP6228A	FAIRB	416364!	D102210	GAL	416556!
C9UZ1177A	FORD	9568	CBS44	FITZ	5414	CP813	DEMPC	411253!	D102210	GAL	472157
C9VY1177A	FORD	482253	CBS56	FITZ	5479	CP814	DEMPC	415458!	D102245	GAL	J1130
C9ZZ6701A	FORD	5108	CC11553	DIA	412119!	CR1501	GOODM	471224!	D10297	THEW	415150!
CA1056	CLARK	471795	CC14018018	FORSH	140X180X18	CR15024	GOODM	471567!	D10312	THEW	415150!
CA1057	CLARK	473228	CC149	FMC	417562	CR17	FMC	416149	D1056	JOHND	450089
CA1129	CLARK	55155=	CC1553	DIA	417344!	CR17	LK-BT	416149	D105762	GAL	476470
CA1130	CLARK	471472!	CC19023013	FORSH	190X230X13	CR1871	GOODM	471733	D106339	GAL	412861
CA1131	CLARK	471466!	CC20Z4676B	FORD	472070	CR225112	GOODM	473214	D106344	GAL	471267!
CA1239	HARRI	417349	CC21512	WHITE	408	CR5754	GOODM	415041	D10738	GMC	473230!
CA1243	HARRI	417563	CC2AZ4676B	FORD	7044NA	CR9815	FULLE	240731	D107485	GAL	416137
CA1245	HARRI	412119!	CC61957	C-W	471554!	CS7010	CLARK	710500	D10779	GAL	416339
CA1311	HARRI	473231	CC649013	FORSH	64X90X13	CSK792	SCHWI	471271=	D10779	GAL	455031!
CA1319	HARRI	455019!	CC7AZ4676A	FORD	3604	CTCAA1175A	FORD	415960!	D109853	GAL	471272!
CA1471	HARRI	471267!	CDTZ7052A	FORD	410059	CTL-3A5038	MARMO	412119!	D10W1177A	FORD	9569S
CA1545	HARRI	471466!	CDTZ7052A	FORD	470380!	CTL-65037	MARMO	415371	D11076	GAL	470380!
CA1546	HARRI	471835!	CE5311	DURA	472705!	CTL-65038	MARMO	416921!	D111	ROCKW	416921!
CA20009	C-R	471267!	CE7009	CLARK	710425	CTL-65080	MARMO	473444	D111020	GAL	417547
CAL1982	LEYLD	370003A	CE7011	CLARK	710562	CTL5-4TA1761	MARMO	416654	D112926	GAL	415072
CATE6700A5	FORD	413246	CE7013	CLARK	710650	CX11471E	JOHND	450523	D113732	GAL	415371
CB1001159	FORSH	100X115X9	CE7016	CLARK	710800	CX3183E	JOHND	450765!	D114247	GAL	417555!
CB10014013	FORSH	100X140X13	CE7019	CLARK	710925	D00E6701A	FORD	5117	D11467	GAL	471255!
CB10213013	FORSH	102X130X13	CE7021	CLARK	711000	D00W4676B	FORD	472070	D1150220	SPICE	471795
CB10247	FORSH	10X24X7	CE7024	CLARK	711200	D00Z6701A	FORD	5117	D1151300	SPICE	472015!
CB12815015	FORSH	128X150X15	CE851733	CLARK	471689!	D0A1190	FORD	40438S	D1151300	VIC	472015!
CB13516012	FORSH	135X160X12	CX11781	GMC	411253!	D0AE6700A	FORD	350936	D11519141	SPICE	472164!
CB14307	FORSH	14X30X7	CX2875	GMC	410059	D0AE6700A2	FORD	350936	D1153449	SPICE	471766!
CB14518012	FORSH	145X180X12	CX2875	GMC	470380!	D0AE6700A2A	FORD	350936	D1153449	VIC	473237!
CB14817015	FORSH	148X170X15	CFS116	PETTI	415317	D0AW4676C	FORD	3604	D1159141	SPICE	472164!
CB16018510	FORSH	160X185X10	CG195	LK-BT	55333=	D0AW4676D	FORD	7044NA	D121199	GAL	416888!
CB16327	FORSH	16X32X7	CL251	CLARK	472179	D0AZ6700A	FORD	350936	D122092	GAL	473204=
CB18521013	FORSH	185X210X13	CLHX3AO	MARMO	416888!	D0AZ7A283A	FORD	472354!	D12W1177A	FORD	2669
CB194010	FORSH	19X40X10	CM19	FMC	352541	D0HA1175E	FORD	370021A	D12W1177B	FORD	2669
CB21024015	FORSH	210X240X15	CM19	LK-BT	352541	D0HA1175F	FORD	417506	D130214	GAL	417262!
CB21025015	FORSH	210X250X15	CO24	ATP	3227	D0HA1190L	FORD	370008A	D1406	THEW	472157!
CB22377	FORSH	22X37X7	CO3	ATP	472015!	D0HM1190A	FORD	370054A	D1406	THEW	472157
CB2237X7	FORSH	22X37X8	CO4	ATP	473179	D0HZ1175A	FORD	370046A	D14090	GAL	417269!
CB22457	FORSH	22X45X7	CP12112	PERSN	204035	D0HZ1175B	FORD	370047A	D14134	GAL	417356!
CB24377	FORSH	24X37X8	CP1211B	PERSN	204035	D0HZ1175C	FORD	417506	D14134	GAL	455188
CB24378	FORSH	24X37X8	CP1556	PERSN	474272!	D0HZ1175D	FORD	370023A	D14190	GAL	415938
CB274210	FORSH	27X42X10	CP2113	DEMPC	476838!	D0HZ1175E	FORD	370019A	D1443	OLIVE	416339
CB325510	FORSH	32X55X10	CP2213	DEMPC	473215!	D0HZ1175F	FORD	370021A	D1443	OLIVE	455031!
CB34528	FORSH	34X52X8	CP2214	DEMPC	470059	D0HZ1190A	FORD	370054A	D154	MINNM	415196!
CB346210	FORSH	34X62X10!	CP2214	DEMPC	470380!	D0HZ1190B	FORD	370001A	D155343	GAL	JV1124=
CB355810	FORSH	35X58X10	CP2413	DEMPC	471820	D0HZ1190B	FORD	380001A	D15575	MALL	471224!
CB36477	FORSH	36X47X7	CP2414	DEMPC	473367!	D0HZ1190C	FORD	370057A	D15576	MALL	340413
CB36527	FORSH	36X52X7	CP2414	DEMPC	473367	D0HZ1190D	FORD	370008A	D18438	GAL	415072
CB365812	FORSH	36X58X12	CP2613	DEMPC	470088	D0HZ1190E	FORD	370048A	D19974	FORD	455963H=
CB36627	FORSH	36X62X7!	CP2614	DEMPC	473464!	D0HZ1190E	FORD	380048A	D1AP7052AA	FORD	2465*
CB37528	FORSH	37X52X8	CP2614	DEMPC	473464	D0HZ1190F	FORD	370048A	D1AP7052BA	FORD	7692S
CB406812	FORSH	40X68X12	CP6072A	FAIRB	417533	D0HZ1190F	FORD	380048A	D1AR3B592A3A	FORD	471538
CB45587	FORSH	45X58X7!	CP6072B	FAIRB	416107!	D0RY1190A	FORD	1192	D1AR7052A1A	FORD	410059
CB528010	FORSH	52X80X10	CP6072B	FAIRB	455073	D0RY4676A	FORD	2642	D1AR7052A1A	FORD	470380!
CB536810	FORSH	53X68X10	CP6072C	FAIRB	415150!	D0RY7052D	FORD	2551	D1AR7052AA	FORD	7692S
CB56808	FORSH	56X80X8	CP6072D	FAIRB	472157!	D0RY7052E	FORD	1193	D1AR7052B1A	FORD	9932=
CB6167	FORSH	6X16X7	CP6072D	FAIRB	472157	D0TA1190A	FORD	2222	D1AW1177C	FORD	473228
CB638510	FORSH	63X85X10	CP6072E	FAIRB	416892!	D0TP7048A	FORD	471271!	D1AW1177D	FORD	8660S
CB7510513	FORSH	75X105X13	CP6072H	FAIRB	415379	D0TZ1175A	FORD	370046A	D1AW1177E	FORD	8660S
CB7511012	FORSH	75X110X12	CP6072H	FAIRB	415379!	D0TZ1175A	FORD	5100	D1AZ1177A	FORD	8660S
CB759010	FORSH	75X90X10	CP6072J	FAIRB	455191	D0TZ1175B	FORD	5649	D1AZ1177B	FORD	8660S
CB78	FITZ	5092	CP6072K	FAIRB	416229	D0TZ1175C	FORD	370008A	D1AZ7052A	FORD	7692S
CB8012013	FORSH	80X120X13	CP6072L	FAIRB	415551	D0TZ1175C	FORD	5076	D1DW1177A	FORD	9161
CB8210512	FORSH	82X105X12	CP6072M	FAIRB	417362!	D0TZ1175D	FORD	370023A	D1FZ1177A	FORD	2669

ALPHABETICAL INTERCHANGE

! Industrial Size/Type * Minor Width Difference \$F-M Number Is Part Of A Kit

= The U.S. customer service number is 877-4-TIMKEN. The Canadian customer service numbers are 800-565-4927 (English) and 800-565-0438 (French-Canadian).

Zero Duplication or Recommended Industrial		Zero Duplication or Recommended Industrial		Zero Duplication or Recommended Industrial		Zero Duplication or Recommended Industrial	
Mfr. No.	Name	Mfr. No.	Name	Mfr. No.	Name	Mfr. No.	Name
D1FZ1177B	FORD	2669	D2TA4813A1A	FORD	471271!	D41447	CASE
D1FZ6700A	FORD	2012V	D2TA4813BA	FORD	417484	D41543	GAL
D1FZ6700B	FORD	3394	D2TZ1175A	FORD	415960	D42213	GAL
D1FZ6701A	FORD	473573	D2TZ24813A	FORD	471271!	D42E6700A2A	FORD
D1FZ6K777A	FORD	414	D2TZ24813B	FORD	417484!	D42E6700A3A	FORD
D1FZ7052A	FORD	2443	D2TZ26701A	FORD	228020	D42E6700AA	FORD
D1FZ7A011A	FORD	2503	D2TZ7B215B	FORD	472635	D42E6701AA	FORD
D1FZ7A011A	FORD	2503N	D2TZ7B215C	FORD	470682	D42R7052A	FORD
D1FZ8590A	FORD	35127	D2UP7052AA	FORD	410059	D42R7052AA	FORD
D1HA1190BA	FORD	370057A	D2UP7052AB	FORD	470380!	D42R7288AA	FORD
D1HA1190DA	FORD	370057A	D2UP7052AB	FORD	410059	D42W1177A	FORD
D1HZ1190A	FORD	370001A	D2UP7052AB	FORD	470380!	D440	ITM
D1HZ1190B	FORD	370057A	D2UZ7052AA	FORD	410059	D45718	GAL
D1RY7052A	FORD	33X50X12!	D2UZ7052AA	FORD	470380!	D465	THEW
D1TA1190AA	FORD	6954S	D2VY3B592A	FORD	7013S	D46867	GAL
D1TW1177A	FORD	9568	D2X1334	CATER	471271!	D4721	KOEI
D1TZ1190B	FORD	416332!	D3049P	CASE	472179	D47371	CASE
D1TZ3254A	FORD	472636!	D31132	GAL	417344!	D4855	THEW
D1TZ4676B	FORD	410686N	D31224	GAL	472636!	D48672	THEW
D1TZ7B215A	FORD	415483!	D32108	CASE	472636	D48672	THEW
D1TZ7B215B	FORD	473467	D32109	CASE	415104N=	D49214	GAL
D1TZ7B215C	FORD	470898	D33543	GAL	415007	D49930	CASE
D1TZ7B215D	FORD	471341!	D3556	COOK	55522=	D4AW1177A	FORD
D1UZ4676A	FORD	7044NA	D35824	GAL	471442!	D4AW4676B	FORD
D1WG7048AA	FORD	2503	D3665	CASE	450456!	D4AZ1177A	FORD
D1WG7048AA	FORD	2503N	D3666P	CASE	473215!	D4AZ4676A	FORD
D1ZW1177A	FORD	9363S	D37024	CASE	415991!	D4DT7052B3A	FORD
D200	MINNM	472439	D37024	CASE	415991	D4FZ1177A	FORD
D2081	THEW	415991	D37Z7052A	FORD	710051	D4FZ1177B	FORD
D2081	THEW	455146!	D37Z7052B	FORD	710051	D4FZ6700A	FORD
D2155BJ	SPG	2155	D37ZA248A	FORD	2025	D4FZ6701A	FORD
D22209	GAL	415001!	D37ZA248A	FORD	42X60X7!	D4PZ8590A	FORD
D2244	GRAY	471554!	D3812	THEW	415995!	D4T27B215B	FORD
D24226	GAL	416654!	D3813	THEW	473214	D4TZ4676B	FORD
D2534	THEW	472157	D397	ITM	473235!	D4TZ6700A	FORD
D2534	THEW	472157!	D3HA1175BA	FORD	370019A	D4TZ7B215A	FORD
D2656	JA-HE	350942	D3HA1175CA	FORD	370020A	D4TZ7B215C	FORD
D26703	GMC	410059	D3HA1175CA	FORD	415351!	D4TZ7B215D	FORD
D26703	GMC	470380!	D3HA1190A1A	FORD	370001A	D4TZB215C	FORD
D271177B	FORD	1994	D3HA1190A1A	FORD	6638S	D4ZW1177A	FORD
D271177B	FORD	48X70X9!	D3HA1190A2A	FORD	6638S	D4ZZ7052A	FORD
D27670	GAL	417344!	D3HS1175AA	FORD	370023A	D4ZZ7052B	FORD
D27Z1177A	FORD	473823	D3HS1175BA	FORD	370019A	D4ZZ7288A	FORD
D27Z1177B	FORD	1994	D3HS1175CA	FORD	370019A	D4ZZ7A248A	FORD
D27Z1177B	FORD	48X70X9!	D3HS1190AA	FORD	370001A	D51035	THEW
D27Z1190A	FORD	1992	D3HS1190AA	FORD	380001A	D51051	GAL
D27Z4676A	FORD	712011	D3HZ1175A	FORD	370003A	D51163	GAL
D27Z6698A	FORD	411	D3HZ7052A	FORD	415379	D51517	CASE
D27Z6700A	FORD	1994	D3RY4676A	FORD	2642	D51518	CASE
D27Z6700A	FORD	710313	D3TA1175BA	FORD	370046A	D52761	GAL
D27Z6701A	FORD	228020	D3TA1175BA	FORD	5100	D5294	COC
D27Z7052A	FORD	1990	D3TA1175CA	FORD	370047A	D53767	CASE
D28802	GAL	411245!	D3TA1175CA	FORD	5649\$	D53767	JOHND
D2883	ALLCH	470590	D3TA1175FA	FORD	5089	D53775	CASE
D2914	ALLCH	412473!	D3TA1175GA	FORD	370023A	D53835	CASE
D29195	CASE	417487	D3TA1175J1A	FORD	4250	D550	THEW
D29862	CASE	341022	D3TA1175JA	FORD	4250	D55436	CASE
D29862	CLARK	341022	D3TA1175K2A	FORD	9864S	D578	NORDG
D2AP7052AA	FORD	7300S	D3TA1190AA	FORD	4148	D5AP7052AA	FORD
D2AW4676A	FORD	3604	D3TA1190AB	FORD	4148	D5AP7052BA	FORD
D2FZ1177A	FORD	1994	D3TA1190B1A	FORD	370132A	D5AW1177A	FORD
D2FZ1177A	FORD	48X70X9!	D3TA1190B2A	FORD	370132A	D5AW1177AA	FORD
D2FZ7052A	FORD	1990	D3TZ-7B215A	FORD	410308!	D5AW1177BA	FORD
D2HA4813A2A	FORD	415995!	D3TZ-7B215A	FORD	473468	D5AW3D526A1A	FORD
D2HA4813AA	FORD	415995!	D3TZ1175A	FORD	4250	D5AW3D526A1A	FORD
D2HA4813BA	FORD	415088	D3TZ1175B	FORD	416273!	D5AZ-3D526A	FORD
D2HA4813BA	FORD	415088!	D3TZ1190A	FORD	4148	D5AZ1177A	FORD
D2HZ3591A	FORD	340413	D3TZ7048A	FORD	482163!	D5AZ7052A	FORD
D2HZ3591D	FORD	323138!	D3TZ7288A	FORD	470954!	D5AZ7052B	FORD
D2RY6701A	FORD	473573	D3TZ7B215B	FORD	410308!	D5AZ7B498A	FORD
D2RY7052A	FORD	2551	D40869	GAL	415991	D5DT7052A3A	FORD
D2TA4813A	FORD	471271	D40869	GAL	455146!	D5DW1187A	FORD
D41447	CASE	415995!	D41543	GAL	473232	D5DZ1177A	FORD
D42213	GAL	417316!	D42E6700A2A	FORD	2955	D5FZ7052A	FORD
D42E6700A3A	FORD	2955	D42E6700AA	FORD	2955	D5HZ1175A	FORD
D42E6701AA	FORD	5108	D42R7052A	FORD	473215	D5HZ1190A	FORD
D42R7052AA	FORD	473215	D42R7052AA	FORD	473215	D5HZ1190B	FORD
D42R7288AA	FORD	313156	D42W1177A	FORD	3199	D5HZ1190C	FORD
D440	ITM	472397!	D440	ITM	472397!	D5HZ1190E	FORD
D45718	GAL	471744!	D45718	GAL	471744!	D5HZ28K606A	FORD
D465	THEW	455462	D465	THEW	455462	D5MW1177A	FORD
D46867	GAL	45013S	D46867	GAL	45013S	D5MY1177A	FORD
D4721	KOEI	416125!	D4721	KOEI	416125!	D5NN-4115B	FORD
D47371	CASE	416865!	D47371	CASE	416865!	D5NN6700A	FORD
D4855	THEW	415449!	D4855	THEW	415449!	D5NN7288A	FORD
D48672	THEW	415379!	D48672	THEW	415379!	D5TZ24676A	FORD
D48672	THEW	415379	D48672	THEW	415379	D5UA1175AA	FORD
D49214	GAL	200642	D49214	GAL	200642	D5UA1175BA	FORD
D49930	CASE	453309=	D49930	CASE	453309=	D5UA1190AA	FORD
D4AW1177A	FORD	3195	D4AW1177A	FORD	3195	D5UP7052AA	FORD
D4AW4676B	FORD	7044NA	D4AW4676B	FORD	7044NA	D5UP7052AA	FORD
D4AZ1177A	FORD	3195	D4AZ1177A	FORD	3195	D5UZ1175A	FORD
D4AZ4676A	FORD	7044NA	D4AZ4676A	FORD	7044NA	D5UZ1175B	FORD
D4DT7052B3A	FORD	2655	D4DT7052B3A	FORD	2655	D5UZ1190A	FORD
D4FZ1177A	FORD	3214	D4FZ1177A	FORD	3214	D5UZ7A011A	FORD
D4FZ1177B	FORD	3199	D4FZ1177B	FORD	3199	D5ZZ7052A	FORD
D4FZ6700A	FORD	2955	D4FZ6700A	FORD	2955	D5ZZ7052C	FORD
D4FZ6701A	FORD	5108	D4FZ6701A	FORD	5108	D600500207	CONTI
D4PZ8590A	FORD	35127	D4PZ8590A	FORD	35127	D600500207	CONTI
D4T27B215B	FORD	473204	D4T27B215B	FORD	473204	D600K-232	CONTI
D4TZ4676B	FORD	712625	D4TZ4676B	FORD	712625	D600M-241	CONTI
D4TZ6700A	FORD	413246	D4TZ6700A	FORD	413246	D600S207	CONTI
D4TZ7B215A	FORD	471870!	D4TZ7B215A	FORD	471870!	D600S207	CONTI
D4TZ7B215C	FORD	472179	D4TZ7B215C	FORD	472179	D600S207	MASSE
D4TZ7B215D	FORD	710005	D4TZ7B215D	FORD	710005	D600S207	MASSE
D4TZB215C	FORD	472179	D4TZB215C	FORD	472179	D60319	KOEI
D4ZW1177A	FORD	3214	D4ZW1177A	FORD	3214	D60319	THEW
D4ZZ7052A	FORD	473215	D4ZZ7052A	FORD	473215	D61118	GAL
D4ZZ7052B	FORD	2655	D4ZZ7052B	FORD	2655	D61686	GAL
D4ZZ7288A	FORD	313156	D4ZZ7288A	FORD	313156	D61686	GAL
D4ZZ7A248A	FORD	2658	D4ZZ7A248A	FORD	2658	D61687	GAL
D51035	THEW	450335	D51035	THEW	450335	D61688	GAL
D51051	GAL	480630!	D51051	GAL	480630!	D62105	THEW
D51163	GAL	471424!	D51163	GAL	471424!	D62214	THEW
D51517	CASE	470530	D51517	CASE	470530	D62238	THEW
D51518	CASE	472636=	D51518	CASE	472636=	D62776	KOEI
D52761	GAL	418028!	D52761	GAL	418028!	D62776	THEW
D5294	COC	204002	D5294	COC	204002	D63359	THEW
D53767	CASE	412920!	D53767	CASE	412920!	D63377	CASE
D53767	JOHND	412920!	D53767	JOHND	412920!	D636	JOHND
D53775	CASE	471766!	D53775	CASE	471766!	D636R	JOHND
D53835	CASE	476470	D53835	CASE	476470	D64053	GAL
D550	THEW	417316!	D550	THEW	417316!	D64345	GAL
D55436	CASE	415263	D55436	CASE	415263	D66074	GAL
D578	NORDG	471766!	D578	NORDG	471766!	D66158	GAL
D5AP7052AA	FORD	7692S	D5AP7052AA	FORD	7692S	D67195	GAL
D5AP7052BA	FORD	7300S	D5AP7052BA	FORD	7300S	D67995	GAL
D5AW1177A	FORD	8660S	D5AW1177A	FORD	8660S	D68120	GAL
D5AW1177AA	FORD	3195	D5AW1177AA	FORD	3195	D68122	GAL
D5AW1177BA	FORD	3186	D5AW1177BA	FORD	3186	D68648	GAL
D5AW3D526A1A	FORD	471645!	D5AW3D526A1A	FORD	471645!	D68649	GAL
D5AW3D526A1A	FORD	471645	D5AW3D526A1A	FORD	471645	D69187	GAL
D5AZ-3D526A	FORD	471645	D5AZ-3D526A	FORD	471645	D6AP7052AA	FORD
D5AZ1177A	FORD	8660S	D5AZ1177A	FORD	8660S	D6AP7052BA	FORD
D5AZ7052A	FORD	7300S	D5AZ7052A	FORD	7300S	D6AZ-3D526A	FORD
D5AZ7052B	FORD	7692S	D5AZ7052B				

OIL SEALS

D6NN7N838A – DR3455

Mfr. No.	Name	Zero Duplication or Recommended Industrial	Mfr. No.	Name	Zero Duplication or Recommended Industrial	Mfr. No.	Name	Zero Duplication or Recommended Industrial	Mfr. No.	Name	Zero Duplication or Recommended Industrial
D6NN7N838A	FORD	415458	D8TZ1175C	FORD	710044	DE30186	ALLCH	473228	DR1872	SPG	45X60X7
D6TA1175B2A	FORD	3385	D8TZ3254A	FORD	470682	DE31142	ALLCH	476838!	DR1956	SPG	70X90X10!
D6TZ1175A	FORD	722109	D8TZ3254B	FORD	2300	DE31846	ALLCH	470059	DR1969	SPG	223535
D6TZ1175B	FORD	722108	D8TZ7B215B	FORD	473457!	DE31846	ALLCH	470380!	DR1969	SPG	35X52X8!
D6TZ1175C	FORD	722108	D8UZ-7A283A	FORD	3638	DE31983	ALLCH	417484!	DR1990	SPG	25X52X7!
D6TZ4676A	FORD	455080	D8UZ7A283B	FORD	3638	DE40655	ALLCH	471570!	DR2122	SPG	40X58X10!
D6TZ4676B	FORD	9316	D92708	GAL	417361	DE4084	ALLCH	471570!	DR2124	SPG	62X90X10
D6TZ4676C	FORD	9316	D93056	GAL	472016	DE41209	ALLCH	417621!	DR2132	SPG	221925
D6TZ7B215B	FORD	710005	D95144	CASE	710026	DE41925	ALLCH	240385	DR2136	SPG	38X56X10
D6TZ7B215C	FORD	473457!	D96688	GAL	412119!	DE44663	ALLCH	473448	DR2138	SPG	20X32X7
D6UA1175A	FORD	3385	D979	MINNM	417191	DE45207	ALLCH	417344!	DR2199	SPG	224520
D6U21175A	FORD	3385	D979	MINNM	455165!	DE46231	ALLCH	415938	DR2199	SPG	45X60X10!
D6VA1175AA	FORD	3385	D9AC3B592AA	FORD	471538	DE46686	ALLCH	450639	DR2493	SPG	114X140X13
D6Z7052AA	FORD	7692S	D9AC3B592AB	FORD	471538	DE50319	ALLCH	472394	DR2496	SPG	70X95X13
D6ZZ7052A	FORD	7692S	D9AW4676AA	FORD	3604	DE51142	ALLCH	476838!	DR2525	SPG	25X50X10
D70775	GAL	472924!	D9AZ3B592A	FORD	471538	DE51188	ALLCH	471341!	DR2551	SPG	40X56X10!
D70776	GAL	417252	D9AZ4676A	FORD	3604	DE51737	ALLCH	471820	DR2551	SPG	712551
D70792	GAL	470898	D9AZ467AA	FORD	3604	DE5534	ALLCH	471554!	DR2590	SPG	25X45X8
D71206	GAL	472164!	D9BW4676A2A	FORD	472070	DE55645	ALLCH	472394	DR2591	SPG	222745
D71207	GAL	413248	D9BW4676AA	FORD	472070	DE55646	ALLCH	471271!	DR2591	SPG	27X45X8!
D71402	GAL	415995!	D9BZ-7052A	FORD	7692S	DE55648	ALLCH	471271!	DR2597	SPG	10X19X7!
D71417	GAL	413248	D9BZ1177A	FORD	3214	DE56591	ALLCH	240119	DR2597	SPG	221040
D7217	WHITE	471539!	D9BZ1177B	FORD	3214	DE5798	ALLCH	415023	DR2607	SPG	45X80X10
D72594	GAL	456967V!	D9BZ4676A	FORD	472070	DE60255	ALLCH	473419	DR261136	SHOV	240435
D72836	GAL	416229	D9HZ6700A	FORD	710210	DE60256	ALLCH	474264	DR2613	SPG	1015N
D72837	GAL	471271!	D9NN-7048-BA	FORD	472150	DE62642	ALLCH	455583N!	DR2613	SPG	18X28X6!
D73740	CASE	415991	D9TZ7052A	FORD	473442!	DE64411	ALLCH	471539!	DR2622	SPG	20X35X7!
D73740	CASE	415991!	D9TZ7B215A	FORD	3173	DE67238	ALLCH	470596	DR2649	SPG	30X55X10
D74734	GAL	415449!	D9TZ7B215A	FORD	710928	DE67592	ALLCH	472397!	DR2656	SPG	15X30X7
D74745	GAL	417480!	DA320	EMSCO	415991	DE68324	ALLCH	413246	DR2663	SPG	70X85X8
D75082	KOEHL	416167!	DA320	EMSCO	455146!	DE69324	ALLCH	413246	DR2665	SPG	224820
D75464	GAL	415483	DA3724	JA-HE	471646!	DE70359	ALLCH	417354!	DR2665	SPG	48X62X8!
D76003	GAL	473473	DAX10680	GMC	416888	DE70419	ALLCH	471763	DR2720	SPG	160X200X12
D76745	KOEHL	416888=	DAX2769	GMC	470380!	DE7359	ALLCH	417354!	DR2748	SPG	150X180X12
D768-011	FORSH	710413	DAX6717	GMC	472258!	DF1600	LETN	416239!	DR2843	SPG	224570
D77768	GAL	472492!	DB114	EMSCO	450133	DF699	LETN	415138!	DR2874	SPG	65X85X10
D79884	GAL	471689!	DC2173	LETN	473462	DGP13594	FAIRB	470712!	DR2886	SPG	24X35X7
D79998	GAL	473449	DC2174	LETN	471766!	DGP13954	FAIRB	472144!	DR2892	SPG	229006
D7AR7A283AA	FORD	3638	DC38	EMSCO	417205!	DGP14124	FAIRB	416271!	DR2892	SPG	229010
D7AZ-3E502A	FORD	471645	DC3959	LETN	416666	DHT-55065	MARMO	415984!	DR2901	SPG	222860
D7HA1175A1A	FORD	370003A	DC4823	LETN	472179	DHT-55066	MARMO	417485	DR3011	SPG	35X62X10
D7HS1190CA	FORD	370132A	DC4988	LETN	411245!	DHT55020	MARMO	415371	DR3022	SPG	140X160X12
D7HZ1175A	FORD	370003A	DC57	EMSCO	412040	DHT55021	MARMO	417621!	DR3027	SPG	35X45X7
D7HZ1175D	FORD	370003A	DC7147	LETN	472636!	DK2781	F-R-H	417516	DR3066	SPG	40X55X6
D7HZ1175E	FORD	370121A	DC7148	LETN	415187	DM14	LK-BT	455019!	DR3090	SPG	1012
D7HZ4676A	FORD	415082	DC7149	LETN	472397!	DMX4200	ALLCH	340413	DR3090	SPG	1012N
D7HZ4676B	FORD	3591	DC8061	LETN	416654!	DO10071	GMC	450068	DR3090	SPG	45X62X8!
D7HZ7B215A	FORD	417316!	DC8157	LETN	412725	DO10778	GAL	455024	DR3112	SPG	65X90X13
D7R26701A	FORD	473573	DD126	OLIVE	471341!	DO20	ATP	7751H	DR3190	SPG	8316
D7TT7048CA	FORD	3388	DD16	FUNK	472185!	DO23	ATP	472164	DR3209	SPG	224850
D82559	GAL	416664!	DD16B16	FUNK	473229	DO7	ATP	470774!	DR3209	SPG	48X72X7!
D87224	CASE	456967V!*	DD2037	LETN	416288!	DP1648	ADAMS	415995!	DR3210	SPG	25X36X7
D8AZ-3B592-A	FORD	471538	DD3293	LETN	417205!	DP1648	LETN	415995!	DR327	SPG	125X150X12!
D8BW1177AA	FORD	8660S	DD75269	FABCO	410825	DP1648	WABCO	415995!	DR327	SPG	312150
D8BW4676AA	FORD	3604	DD80	EMSCO	415302	DR-1086	SPG	221122	DR3287	SPG	85X105X13
D8BZ1177A	FORD	8660S	DD8042	LETN	455020	DR0004	SPG	224025	DR3309	SPG	25X36X8
D8BZ4676A	FORD	3604	DDN-3539	FORD	223510	DR0009	SPG	226480	DR3310	SPG	223610
D8BZ4676AA	FORD	3604	DE10030	ALLCH	450593!	DR0945	SPG	222510	DR3310	SPG	36X54X7.5
D8HZ4573C	FORD	412473	DE10487	ALLCH	471750!	DR0945	SPG	25X35X7!	DR3310	SPG	710197!
D8HZ4676A	FORD	3136N	DE10523	ALLCH	471192	DR1050	SPG	14X28X6	DR3316	SPG	75X100X10
D8NN-1190CA	FORD	4162	DE10986	ALLCH	471466!	DR1066	SPG	28X38X7	DR3333	SPG	1037
D8NN6701AA	FORD	3341	DE1106	ALLCH	418028	DR1075	SPG	60X75X8	DR3335	SPG	22X35X7
D8NN6701BA	FORD	3341	DE1106	ALLCH	455137!	DR1078	SPG	78X100X10	DR3336	SPG	68X90X10
D8RZ1175A	FORD	3395!	DE11125	ALLCH	474281!	DR1134	SPG	224040	DR3343	SPG	224270
D8RZ1177A	FORD	3392	DE11323	ALLCH	416332!	DR1134	SPG	40X60X10!	DR3347	SPG	85X110X12
D8RZ1177B	FORD	3392	DE1461	ALLCH	471137	DR1137	SPG	28X47X7!	DR3352	SPG	65X90X10!
D8TR7A283AA	FORD	471652	DE1537	ALLCH	471763	DR1141	SPG	15X35X7	DR3374	SPG	40X52X7!
D8TR7A283AA	FORD	482208!	DE15694	ALLCH	415234!	DR162	SPG	15X24X7	DR3375	SPG	15X32X8
D8TR7A283AB	FORD	3638	DE2452	ALLCH	450040	DR1788	SPG	231404	DR340	SPG	130X170X15
D8TZ-1175A	FORD	710045	DE2630	ALLCH	472924!	DR180	SPG	110X140X13!	DR3435	SPG	110X135X13
D8TZ-3332-A	FORD	710385	DE2631	ALLCH	470059	DR180	SPG	231108	DR3455	SPG	229520
D8TZ1175B	FORD	415960	DE2631	ALLCH	470380!	DR1815	SPG	12X22X7!	DR3455	SPG	95X130X12!

ALPHABETICAL INTERCHANGE

! Industrial Size/Type * Minor Width Difference

= The U.S. customer service number is 877-4-TIMKEN. The Canadian customer service numbers are 800-565-4927 (English) and 800-565-0438 (French-Canadian).

Zero Duplication or Recommended Industrial		Zero Duplication or Recommended Industrial		Zero Duplication or Recommended Industrial		Zero Duplication or Recommended Industrial					
Mfr. No.	Name	Mfr. No.	Name	Mfr. No.	Name	Mfr. No.	Name				
DR3465	SPG	145X170X12	DR4113	SPG	50X68X8!	DR5119	SPG	40X65X10!	DR6221	SPG	231404
DR3474	SPG	70X100X13	DR4123	SPG	50X72X8	DR5121	SPG	30X50X7	DR6231	SPG	1979
DR3490	SPG	17X30X7	DR4124	SPG	225230	DR5126	SPG	225005	DR6232	SPG	493637
DR3502	SPG	80X110X12	DR4124	SPG	52X72X8!	DR5126	SPG	50X62X7!	DR6234	SPG	222655
DR3516	SPG	222820	DR4126	SPG	55X72X8!	DR5146	SPG	227540	DR6234	SPG	26X48X7!
DR3516	SPG	28X40X7!	DR4128	SPG	58X72X8	DR5146	SPG	227550	DR6272	SPG	223830
DR3535	SPG	30X40X7!	DR4138	SPG	50X80X8	DR5146	SPG	75X100X12!	DR6272	SPG	38X55X7!
DR3536	SPG	27X37X7	DR4140	SPG	55X80X8	DR5173	SPG	1175	DR6279	SPG	332134
DR3537	SPG	130X160X12	DR4143	SPG	58X80X8	DR5183	SPG	1979	DR6320	SPG	712020
DR3551	SPG	35X47X7	DR4145	SPG	226020	DR5220	SPG	20X30X7!	DR6380	SPG	223014
DR3573	SPG	225872	DR4151	SPG	60X85X8	DR5220	SPG	222025!	DR6380	SPG	30X45X5!
DR3581	SPG	120X145X12!	DR4162	SPG	72X95X10	DR5265	SPG	471224	DR6383	SPG	70X95X10
DR3581	SPG	231204	DR4163	SPG	75X95X10	DR5308	SPG	471466	DR6389	SPG	85X105X10!
DR3589	SPG	120X145X12!	DR4165	SPG	65X100X10	DR5312	SPG	322353	DR6401	SPG	223010
DR3589	SPG	231204	DR4167	SPG	68X100X13	DR5340	SPG	340387	DR6445	SPG	716445
DR3641	SPG	222540	DR4175	SPG	229006	DR5357	SPG	471255!	DR6456	SPG	3392
DR3672	SPG	52X69X10	DR4177	SPG	85X120X12	DR5374	SPG	350877	DR6468	SPG	223005
DR3691	SPG	710216	DR4178	SPG	90X120X12	DR5374	SPG	471633!	DR6469	SPG	716102
DR3736	SPG	17X32X7	DR4179	SPG	95X120X12	DR5381	SPG	50X75X12	DR6470	SPG	222556
DR3737	SPG	18X32X8	DR4180	SPG	100X120X12	DR5386	SPG	223035	DR6471	SPG	222267
DR3761	SPG	32X45X7	DR4182	SPG	100X125X12	DR5431	SPG	48X72X7!	DR6472	SPG	1172
DR3769	SPG	223255	DR4183	SPG	100X130X12!	DR5433	SPG	224015	DR6474	SPG	1108
DR3769	SPG	32X52X7!	DR4184	SPG	105X130X12	DR5446	SPG	2008	DR6481	SPG	228008
DR3776	SPG	44X60X10!	DR4186	SPG	110X130X12	DR5502	SPG	30X72X10	DR6484	SPG	716484
DR3796	SPG	100X120X10	DR4188	SPG	105X140X12	DR5503	SPG	35X72X10	DR6507	SPG	1037
DR3832	SPG	200X230X15!	DR4193	SPG	120X140X13!	DR5506	SPG	144X160X12	DR6527	SPG	222510
DR3869	SPG	55X90X13	DR4193	SPG	717004	DR5550	SPG	224460	DR700181	SPG	722108
DR3892	SPG	16X28X7	DR4197	SPG	120X160X12	DR5574	SPG	190X220X16	DR7035	SPG	223012
DR3980	SPG	19X35X10!	DR4198	SPG	125X160X12	DR5580	SPG	130X160X15	DR7035	SPG	30X44X7!
DR4003	SPG	6X22X7	DR4200	SPG	140X160X13!	DR5600	SPG	3771	DR7064	SPG	710077
DR4004	SPG	7X22X7	DR4205	SPG	145X175X15	DR5609	SPG	228009	DR7161	SPG	710443
DR4008	SPG	10X22X7	DR4206	SPG	150X180X15	DR5620	SPG	55X78X10	DR7203	SPG	228480
DR4019	SPG	15X26X7	DR4208	SPG	160X190X15	DR5655	SPG	223543	DR7216	SPG	223801!
DR4021	SPG	12X28X7!	DR4209	SPG	170X200X15	DR5655	SPG	35X56X10!	DR7223	SPG	1979
DR4021	SPG	12X30X7	DR4210	SPG	180X210X15	DR5663	SPG	72X100X12	DR7225	SPG	1214
DR4024	SPG	12X30X7	DR4228	SPG	224220	DR5721	SPG	52X68X8!	DR7225	SPG	1214N
DR4027	SPG	16X30X7	DR4232	SPG	25X42X10	DR5722	SPG	223606	DR7226	SPG	473274
DR4029	SPG	18X30X7!	DR4269	SPG	35X50X8!	DR5722	SPG	26X42X10!	DR7227	SPG	224235
DR4029	SPG	221820	DR4270	SPG	224560	DR5728	SPG	225505	DR7227	SPG	42X58X7!
DR4033	SPG	15X32X8	DR4270	SPG	45X68X7!	DR5728	SPG	55X70X8!	DR7228	SPG	471442!
DR4038	SPG	16X35X7	DR4276	SPG	224020	DR5733	SPG	20X52X7	DR7229	SPG	473010!
DR4045	SPG	17X40X7	DR4276	SPG	40X55X8!	DR5744	SPG	56X72X7	DR7230	SPG	416154!
DR4046	SPG	18X40X7	DR4401	SPG	225035	DR5801	SPG	224252	DR7231	SPG	223620
DR4048	SPG	22X40X8	DR4465	SPG	222535	DR5811	SPG	52X75X12	DR7232	SPG	223014*
DR4050	SPG	24X40X7!	DR4465	SPG	25X38X7!	DR5815	SPG	55X75X8	DR7233	SPG	472572!
DR4051	SPG	222540	DR4512	SPG	228020	DR5826	SPG	56X68X10	DR7234	SPG	470954!
DR4051	SPG	25X40X7!	DR4512	SPG	80X105X13!	DR5880	SPG	130X160X15	DR7237	SPG	1213N
DR4054	SPG	25X42X6	DR4513	SPG	1884	DR5957	SPG	225460	DR7242	SPG	227040
DR4056	SPG	30X42X7!	DR4530	SPG	223542	DR5957	SPG	54X85X10!	DR7251	SPG	228480
DR4060	SPG	20X47X7	DR4530	SPG	35X55X11!	DR5980	SPG	221610	DR766	SPG	60X80X8!
DR4061	SPG	22X47X7	DR4538	SPG	20X42X7	DR6052	SPG	227409	DR858	SPG	239127
DR4062	SPG	24X47X7	DR4576	SPG	62X80X10	DR6062	SPG	228010	DR86	SPG	224045
DR4063	SPG	25X47X7	DR4586	SPG	220X250X15	DR6069	SPG	2011	DR86	SPG	40X62X12!
DR4064	SPG	26X47X7	DR4617	SPG	55X75X10	DR6101	SPG	226001	DR898	SPG	80X100X10!
DR4067	SPG	30X47X7	DR4619	SPG	30X48X8!	DR6102	SPG	716102	DR945	SPG	222510
DR4068	SPG	32X47X7!	DR4672	SPG	38X60X10	DR6125	SPG	2000	DR945	SPG	25X35X7!
DR4072	SPG	35X50X7	DR4725	SPG	55X85X10	DR6125	SPG	224235	DR947	SPG	17X28X7
DR4075	SPG	25X52X10	DR4738	SPG	54X82X10	DR6125	SPG	42X58X7!	DR949	SPG	22X32X7
DR4079	SPG	35X52X7	DR4746	SPG	223620	DR6127	SPG	712010	DR952	SPG	14X24X7!
DR4086	SPG	42X55X8!	DR4772	SPG	42X72X10!	DR6128	SPG	712003	DR958	SPG	20X40X10
DR4094	SPG	45X60X8	DR4894	SPG	40X58X8	DR6129	SPG	712004	DR962	SPG	28X42X8!
DR4096	SPG	30X62X7	DR4903	SPG	225420	DR6150	SPG	12X25X7	DR968	SPG	222240
DR4097	SPG	35X62X7!	DR4903	SPG	54X72X10!	DR6151	SPG	1041	DR968	SPG	22X40X7!
DR4100	SPG	38X62X7	DR4912	SPG	45X72X10	DR6154	SPG	229005	DS13	VICK	473447
DR4101	SPG	40X62X7	DR4914	SPG	30X50X8	DR6155	SPG	225020	DSD18286	NOK	1015N
DR4102	SPG	42X62X8	DR4945	SPG	17X40X7	DR6186	SPG	2025	DTA72646	FMC	471571
DR4104	SPG	1012	DR4983	SPG	115X140X12	DR6218	SPG	223240	DTA72647	FMC	472560N!
DR4104	SPG	1012N	DR5022	SPG	224835	DR6218	SPG	32X48X8!	DTA72648	FMC	471271!
DR4104	SPG	45X62X8!	DR5022	SPG	48X68X10!	DR6219	SPG	224470	DTA72649	FMC	416919
DR4109	SPG	1992	DR5093	SPG	32X45X7	DR6219	SPG	44X72X10!	DTA72887	FMC	240735
DR4109	SPG	45X65X8!	DR5110	SPG	223014	DR6220	SPG	225875	DTA84924	FORD	416888!
DR4112	SPG	50X65X8!	DR5119	SPG	224100	DR6220	SPG	58X75X11!	DV1612	DALMO	240435

! Industrial Size/Type *Minor Width Difference

Mfr. No.	Name	Zero Duplication or Recommended Industrial	Mfr. No.	Name	Zero Duplication or Recommended Industrial	Mfr. No.	Name	Zero Duplication or Recommended Industrial	Mfr. No.	Name	Zero Duplication or Recommended Industrial
DVL4845	MARMO	340797	E0TZ7B215B	FORD	472572	E1TZ7B215B	FORD	3173	E32354E	JOHND	471649!
DW300208-5	TROS	8430S	E0TZ7B215C	FORD	473237	E1TZ7B215B	FORD	710928	E328332	IH	417316!
DX-028	COC	471766!	E0TZ7B215D	FORD	472572	E20366E	JOHND	240119	E354040TA	SPG	354040
DX13735	GMC	472319	E0W1177AA	FORD	9569S	E207	MINNM	471766!	E354041TA	SPG	354041
DX1668	GMC	471539!	E0ZR7052BA	FORD	2326* =	E20811	FULLE	415458!	E36542	JOHND	41461S
DX1780	GMC	474253	E0ZR7288AA	FORD	313156	E21330	FULLE	415458!	E36910	FULLE	412920!
DX2202	GMC	417548	E0ZZ-7A283A	FORD	222820	E2136	FULLE	417487!	E37542	JOHND	41461S
DX23256	GMC	471504!	E0ZZ7052A	FORD	2443	E2136	FULLE	417487!	E37A-3B470AB	FORD	340835
DX24039	GMC	472397!	E0ZZ7288A	FORD	313156	E215	PORTR	416892!	E37A1190AB	FORD	8312
DX24040	GMC	471835!	E0ZZ7288B	FORD	4127	E217	PORTR	471766!	E37A1190BA	FORD	6815
DX26099	GMC	471413!	E1050930	SPICE	415449!	E21812	FULLE	415449!	E38705	WILYS	472179
DX26208	GMC	417484!	E1091	EUCLD	376590A	E21830	FULLE	476470	E38707	WILYS	471801!
DX2815	GMC	417487	E11093	AT SU	470898!	E227	PORTR	416865!	E38714	WILYS	472179
DX28649	GMC	471504!	E1110	WHITE	410987!	E2340	EUCLD	733105	E3EC-1N013-AA	FORD	710365
DX30028	MASSE	470530!	E1127699	CHRY	472012	E2341	EUCLD	733106	E3FZ-3K070-A	FORD	710365
DX30183	MASSE	417343!	E11381	GEM	471442!	E23614	FULLE	471224	E3FZ7A011A	FORD	3638
DX30765	MASSE	240733	E11449	GEM	6703S	E2400300	CHRY	7300S	E3FZ7F401A	FORD	4539H
DX31660	MASSE	472397!	E11923	GEM	480630!	E2431	EUCLD	733107	E3HZ1190B	FORD	370001A
DX32980	GMC	240435	E1269	EUCLD	240736	E2432	EUCLD	733108	E3HZ1190C	FORD	380001A
DX3472	GMC	455251H	E13232	IH	473458!	E2433	EUCLD	733109	E3HZ1190C	FORD	370048A
DX3473	GMC	75251S	E13993	IH	471192	E2434	EUCLD	733110	E3HZ1190C	FORD	380048A
DX35048	GMC	482069N	E1443	WHITE	471138!	E2435	EUCLD	733111	E3HZ4573A	FORD	412473
DX38472	GMC	415327	E1471180	ALLCH	415867	E2436	EUCLD	733112	E3HZ4573C	FORD	412473
DX38493	GMC	450084!	E1471545	ALLCH	352541	E2437	EUCLD	733113	E3HZ4674A	FORD	712937
DX39218	GMC	417365	E15419	GEM	473467	E2438	EUCLD	733114	E3HZ4676A	FORD	9773
DX41675	GMC	471424=	E1569	WHITE	412871!	E25091	EATON	471276	E3HZ4676B	FORD	416654
DX43140	GMC	476470	E1582	WHITE	470565!	E2556	FULLE	415146!	E3HZ4676C	FORD	415458
DX44455	GMC	415294=	E1588	OLIVE	50254=	E2556	FULLE	415991	E3HZ7048A	FORD	473454
DX44689	GMC	473010=	E1590	OLIVE	471267!	E27012	FULLE	472164!	E3TC-3591-AA	FORD	710370
DX49720	GMC	470954	E1590	WHITE	471267!	E27W4676A1A	FORD	3604	E3TW1177A1A	FORD	8835S
DX5309	GMC	472016	E16468E	JOHND	480630	E27W4676AA	FORD	3604	E3TW1177A2A	FORD	8835S
DX54461	GMC	417171=	E17609	JOHND	416339	E28263	FULLE	55193=	E3TZ-1S177A	FORD	8835S
DX75341	MASSE	471267!	E17609E	JOHND	416339	E28265	FULLE	417196!	E3TZ-3591-B	FORD	710370
DY11683	EATON	450165	E18979	JOHND	203006!	E29006	IH	471766!	E3TZ-3738-A	FORD	221922
DY11683	EATON	471801!	E18979	JOHND	205006=	E2DZ-7052A	FORD	7692S	E3TZ-3B470B	FORD	340835
DY11730	EATON	471984	E18979E	JOHND	203006!	E2HS1131BA	FORD	HU009A	E3TZ-7052C	FORD	2443
DY11731	EATON	471984	E193	GRAY	416921!	E2HS1175AA	FORD	370046A	E3TZ1175A	FORD	8314
E0A1175	FORD	473238!	E19501	GEM	6703S	E2HS1175BA	FORD	417506	E3TZ1175B	FORD	722109
E0D7052A3A	FORD	2655	E19505	GEM	417869!	E2HS1175CA	FORD	370047A	E3TZ1175C	FORD	722109
E0DW1177AA	FORD	9569S	E19799	GEM	240949	E2HS1175DA	FORD	370004A	E3TZ1175D	FORD	722108
E0DZ1177B	FORD	9569S	E19869	GEM	240414	E2HS1190AA	FORD	370054A	E3TZ1177A	FORD	8835S
E0ET7048AA	FORD	2503	E19897	JOHND	6703S	E2HS1190CA	FORD	370132A	E3TZ1190A	FORD	8312
E0ET7048AA	FORD	2503N	E19897E	JOHND	6703S	E2HT1190AA	FORD	370001A	E3TZ1190B	FORD	6815
E0ET7052AA	FORD	2443	E1AP-7052BA	FORD	2854	E2HT1190AA	FORD	380001A	E3TZ1190C	FORD	4148
E0HT1190AA	FORD	370001A	E1AP-7052BA	FORD	7300S	E2HT1190BA	FORD	370048A	E3TZ1190D	FORD	4148
E0HT1190AA	FORD	380001A	E1AP7052A	FORD	7692S	E2HT1190BA	FORD	380048A	E3TZ3254A	FORD	3543
E0HZ4676A	FORD	477163N	E1AP7052AA	FORD	7692S	E2HZ1177A	FORD	370003A	E3TZ3254B	FORD	710065
E0HZ4676B	FORD	477163N	E1AW1177AA	FORD	8660S	E2TA1190AA	FORD	370001A	E3TZ3254C	FORD	470672
E0HZ7052A	FORD	472213	E1AZ1177A	FORD	8660S	E2TA1190AA	FORD	380001A	E3TZ3591A	FORD	710370
E0NN1190AA	FORD	4162	E1AZ1177B	FORD	8660S	E2TA1190CA	FORD	4148	E3TZ3B470A	FORD	340835
E0RZ7288A	FORD	313156	E1EP7F401A2A	FORD	4539H	E2TE6701A2A	FORD	713750	E3TZ4676A	FORD	3604
E0TA1175AA	FORD	9864S	E1EW1177A1A	FORD	3622	E2TW4676AA	FORD	7044NA	E3TZ4676B	FORD	4244
E0TA1190B1A	FORD	4160	E1EW1177A3A	FORD	3622	E2TZ4676A	FORD	7044NA	E3TZ6700A	FORD	3894V
E0TA6362	FORD	1040=	E1FZ1175A	FORD	473677	E2ZE6701A4A	FORD	3909	E3TZ6700B	FORD	8316
E0TW1177A1A	FORD	710067	E1FZ1177A	FORD	3622	E2ZE6701A4A	FORD	5277	E3TZ6700C	FORD	2012V
E0TW1177A2A	FORD	473228	E1FZ6700A	FORD	3771	E2ZE6701AA	FORD	3909	E3TZ6701A	FORD	3893V
E0TW1177BA	FORD	3195	E1FZ6701A	FORD	3772	E2ZZ6701A	FORD	3909	E3TZ6701C	FORD	2377
E0TW4676A1A	FORD	7044NA	E1FZ6701A	FORD	5287	E2ZZ7052A	FORD	2655	E3TZ7052A	FORD	2443
E0TZ1175A	FORD	9864S	E1FZ6K292A	FORD	3774	E2ZZ7288A	FORD	4127	E3TZ7A011	FORD	3622
E0TZ1177A	FORD	710067	E1FZ7A011A	FORD	710053	E30479	JOHND	415449!	E3TZ7B215A	FORD	4143
E0TZ1177B	FORD	3195	E1FZ7B498A	FORD	342517	E312260SS	SPG	42260S	E3TZ7B215B	FORD	473237
E0TZ1177C	FORD	473228	E1FZ7F401A	FORD	4539H	E313290SS	SPG	43290S	E3TZ7B215C	FORD	4141
E0TZ1190A	FORD	4148	E1HT1175AA	FORD	370003A	E3145BJ	SPG	5124	E3TZ7B215D	FORD	4141
E0TZ1190B	FORD	4160	E1HT1175BA	FORD	370003A	E3159	CHRY	416127	E3TZ7B215E	FORD	4143
E0TZ1190C	FORD	4148	E1HZ1175A	FORD	370003A	E3160	CHRY	416127	E3TZ7B215F	FORD	473237
E0TZ1190D	FORD	4160	E1HZ1175B	FORD	370003A	E31920	JOHND	472185!	E3TZ7B215G	FORD	4143
E0TZ1190E	FORD	4160	E1HZ4676A	FORD	100263	E31925	JOHND	415072	E3TZ7B215H	FORD	473237
E0TZ3254A	FORD	710043	E1HZ4676A	FORD	3905	E31926	JOHND	416239!	E400B-201	CONTI	327303!
E0TZ3254B	FORD	2146	E1NN3N632AA	FORD	471267	E32037M	CHRY	471553!	E4093SS	SPG	5452
E0TZ4676A	FORD	9316	E1SM6700A4A	FORD	3771	E32252015	IH	473227	E4099CA	SPG	4099
E0TZ4676B	FORD	7044NA	E1TZ4676A	FORD	5778	E32252033	IH	416921!	E4101BG	SPG	5109
E0TZ7B215A	FORD	341022	E1TZ7B215A	FORD	472572	E32252038	IH	473459	E4110CA	SPG	5123

ALPHABETICAL INTERCHANGE

! Industrial Size/Type * Minor Width Difference

= The U.S. customer service number is 877-4-TIMKEN. The Canadian customer service numbers are 800-565-4927 (English) and 800-565-0438 (French-Canadian).

Zero Duplication or Recommended Industrial		Zero Duplication or Recommended Industrial		Zero Duplication or Recommended Industrial		Zero Duplication or Recommended Industrial					
Mfr. No.	Name	Mfr. No.	Name	Mfr. No.	Name	Mfr. No.	Name				
E43E6700A2A	FORD	714075	E5HZ4573A	FORD	476470	E6HZ1190D	FORD	380001A	E7HZ7918A	FORD	713750
E43E6700D	FORD	223420	E5HZ4676A	FORD	417986N	E6HZ4676B	FORD	4564V	E7TA1190BA	FORD	4160
E43Z6700A	FORD	714075	E5HZ4676B	FORD	415082	E6HZ4676D	FORD	415088	E7TZ1177A	FORD	2146
E43Z6700A2A	FORD	714075	E5NN-4969-A	FORD	713166	E6HZ6701A	FORD	712449	E7TZ1190A	FORD	710091
E43Z6700B	FORD	223012	E5NN6701BA	FORD	712449	E6HZ6701B	FORD	712449	E7TZ1190B	FORD	4160
E43Z6700B	FORD	30X44X7!	E5RY1177A	FORD	224250	E6HZ7048A	FORD	710211	E7TZ7052B	FORD	713771
E43Z6700D	FORD	223420	E5RY1177A	FORD	224253	E6HZ7052A	FORD	712512	E7TZ7052C	FORD	1217
E43Z6700E	FORD	714075	E5RY1177A	FORD	42X62X8!	E6SP1177AA	FORD	3622	E7TZ7052D	FORD	1209
E43Z6700F	FORD	223012	E5RY4676A	FORD	712011	E6SP7F401AA	FORD	4189H	E7TZ7B215-A	FORD	710402
E43Z6700G	FORD	30X44X7!	E5TE6700A2A	FORD	2942	E6TA1190AA	FORD	4148	E7TZ7B215B	FORD	714503
E43Z6700G	FORD	223235	E5TW1177AA	FORD	710067	E6TE6700A2A	FORD	710210	E7UZ4676A	FORD	719316
E43Z6701A	FORD	229005	E5TW1177BA	FORD	370047A	E6TE6700AA	FORD	710210	E80420 WILYS		470898!
E43Z7288A	FORD	710274	E5TW4676BA	FORD	4278	E6TZ-1S190A	FORD	4148	E804820 WILYS		470898!
E4400RX	SPG	4400 =	E5TZ-3332-A	FORD	710304	E6TZ1190A	FORD	4148	E810751 WILYS		240733
E4401RX	SPG	4401 =	E5TZ1177A	FORD	710067	E6TZ6700A	FORD	2012V	E83Z4676A	FORD	472258
E44082	CUMMI	473224!	E5TZ1177B	FORD	370047A	E6TZ6701A	FORD	5118	E83Z6700A	FORD	714075
E44473	CUMMI	330385	E5TZ1190A	FORD	6815	E6TZ7B216A	FORD	330385!	E844 NOVO		474264
E44583	CUMMI	470059	E5TZ3254A	FORD	710095	E6ZE6700A2A	FORD	2955	E845 NOVO		470059
E44583	CUMMI	470380!	E5TZ4676A	FORD	4278	E6ZE6700AA	FORD	2955	E845 NOVO		470380!
E45 NOVO		470059	E5TZ4676B	FORD	4278	E6ZE6701A2A	FORD	3909	E865 NORDG		450326
E45 NOVO		470380!	E5TZ4676C	FORD	9316	E6ZE6701A2A	FORD	5277	E86884 CHRYS		471413
E45116	CUMMI	470954!	E5TZ6700A	FORD	16X28X7!	E70 BRAD		471652	E87W4676AA	FORD	4278
E45123	CUMMI	472810!	E5TZ6700A	FORD	221610	E7059144 LUF		417549!	E87W4676BA	FORD	3604
E45374	CUMMI	472409	E5TZ6700B	FORD	224460	E7059160 LUF		55469	E8BZ-1177B	FORD	2007N
E456500SS	PACIF	416500!	E5TZ6700C	FORD	2942	E7066676 LUF		472397!	E8BZ1177A	FORD	1126
E45Y6700A	FORD	223801!	E5TZ6700D	FORD	712007	E7066677 LUF		476470	E8BZ7A011A	FORD	222238
E45Y6701A	FORD	229005	E5TZ6701A	FORD	228005	E7075330 LUF		473225	E8DE6701AA	FORD	3772
E472858VG	SPG	5133	E5TZ6701C	FORD	2377	E7075331 LUF		411376!	E8DE6701AP	FORD	3772
E47805XA	SPG	8370S	E5TZ6701D	FORD	3893V	E7075332 LUF		473239!	E8DZ6701A	FORD	3772
E48313	JOHND	204017	E5TZ7052A	FORD	223014	E7075592 LUF		476871 =	E8EY-1177A	FORD	1973
E49968	JOHND	3095	E5TZ7052A	FORD	30X45X5!	E7075593 LUF		471272!	E8H27B215A	FORD	39920
E4EE6701A2A	FORD	3772	E5TZ7052B	FORD	2655	E7075689 LUF		415645!	E8TW1177BA	FORD	370047A
E4FZ6701A	FORD	3772	E5TZ7A248A	FORD	2658	E7075689 LUF		455104	E8TW4676AA	FORD	4278
E4HN6701AA	FORD	712449	E5TZ7B215A	FORD	472572	E7075689 LUF		474274	E8TZ-4676B	FORD	4278
E4HT1175AA	FORD	370003A	E5ZZ6701A	FORD	3909	E7075786 LUF		415725!	E8TZ-7052B	FORD	223012
E4HZ1175B	FORD	370003A	E619 NOVO		450593!	E7075788 LUF		415867	E8TZ1175A	FORD	418028
E4HZ4478A	FORD	4561V	E620 OLIVE		472299	E7075792 LUF		417603!	E8TZ1177B	FORD	370047A
E4HZ4573A	FORD	100495	E620 WHITE		472299	E7075813 LUF		417343!	E8TZ4676A	FORD	4525V
E4HZ4573A	FORD	4810V	E62795 AT SU		481864	E7076823 LUF		417433!	E8TZ4676C	FORD	3604
E4HZ4676A	FORD	100263	E62GE9 FORD		473446	E7077966 LUF		471466!	E8TZ7050E	FORD	223535
E4HZ4676A	FORD	3905	E632008 GMC		416865!	E71 BRAD		471267!	E8TZ7052A	FORD	1990
E4HZ4676B	FORD	3143N	E634125-3 LEROI		415437	E711456 GMC		416951	E8TZ7052C	FORD	7692S
E4HZ7050C	FORD	473814	E63568 GMC		416158	E71175M CHRYS		471571	E8TZ7052D	FORD	1981
E4HZ7B215A	FORD	330749V	E63E6700AA	FORD	714075	E728 NOVO		471763	E8TZ7052F	FORD	223608
E4HZ7B215B	FORD	5133	E653724 GMC		471652	E729 NOVO		471689!	E8TZ7B215A	FORD	4503N
E4HZ7B215C	FORD	39930	E663125-3 LEROI		415437	E755 NOVO		471255!	E8ZZ6700A	FORD	2955
E4LY-7A248A	FORD	224052	E66943M CHRYS		471750!	E756 NOVO		471570!	E9020080 LUF		471567!
E4TE6701AA	FORD	5118	E66944M CHRYS		416892!	E759286 LUF		417567	E9020090 LUF		471267!
E4TW4676A1A	FORD	3604	E67409M CHRYS		417563	E7AZ6701A	FORD	2377	E9020097 LUF		471646!
E4TZ-7B215A	FORD	4333N	E67410M CHRYS		417563	E7EE6701A1A	FORD	3772	E9020100 LUF		470590
E4TZ1190A	FORD	4250	E682661 GMC		415483	E7FZ6700A	FORD	3771	E9020120 LUF		471689!
E4TZ3254A	FORD	710043	E693 OLIVE		473239	E7FZ6701A	FORD	3772	E9020130 LUF		470712!
E4TZ3254B	FORD	710043	E6AE6700A2A	FORD	350936	E7FZ6K292A	FORD	3774	E9020135 LUF		2669
E4TZ3B470A	FORD	722108	E6DC1249AA	FORD	6815	E7GZ-1177A	FORD	4990	E9020180 LUF		470625!
E4TZ4676A	FORD	5778	E6DW-117AA	FORD	8835S	E7GZ-1177B	FORD	710323	E9020198 LUF		473232!
E4TZ4676C	FORD	5778	E6DW1177AA	FORD	3622	E7GZ-1177C	FORD	1213N	E9020210 LUF		473236!
E4ZE6701A2A	FORD	3772	E6DZ1177A	FORD	3622	E7GZ-1177D	FORD	2007N	E9020220 LUF		472185!
E500093901	WHITE	415035 =	E6DZ1177AM	FORD	3622	E7GZ-1177E	FORD	2007N	E9020225 LUF		472185!
E50607	JOHND	291099	E6DZ1249A	FORD	6815	E7GZ12143A	FORD	427RR	E9020227 LUF		473238!
E53786M	CHRYS	471689!	E6DZ3591A	FORD	710504	E7GZ6700A	FORD	223012	E9020230 LUF		473462
E54058	JOHND	472535	E6DZ6700A	FORD	350936	E7GZ6701A	FORD	228250	E9020240 LUF		471833
E544145	FULLE	471413	E6DZ7F401A	FORD	4189H	E7GZ6701A	FORD	710448	E9020250 LUF		471833
E5DW4676AA	FORD	3604	E6EE6700A2A	FORD	3771	E7GZ7288A	FORD	221620	E9020255 LUF		472016
E5DZ4676A	FORD	3604	E6EE6K292A2A	FORD	3774	E7GZ7A011A	FORD	222430	E9020260 LUF		473245!
E5HN6700AA	FORD	712511	E6FZ7F401A	FORD	4539H	E7HT1190AA	FORD	370001A	E9020270 LUF		471272!
E5HT1175CA	FORD	370023A	E6HS1175AA	FORD	370003A	E7HT1190AA	FORD	380001A	E9020279 LUF		413247!
E5HT1175GA	FORD	370003A	E6HS1175BA	FORD	370023A	E7HZ1175A	FORD	370047A	E9020280 LUF		413247!
E5HT1190AA	FORD	370132A	E6HT1175AA	FORD	370023A	E7HZ1190A	FORD	370001A	E9020285 LUF		417073
E5HT1190DA	FORD	370001A	E6HZ1175C	FORD	370023A	E7HZ4676A	FORD	417987N	E9020290 LUF		417073
E5HT1190DA	FORD	380001A	E6HZ1175E	FORD	370023A	E7HZ6700A	FORD	712511	E9020300 LUF		415449!
E5HZ1190A	FORD	370132A	E6HZ1190A	FORD	370132A	E7HZ6700B	FORD	710210	E9020305 LUF		455655!
E5HZ4573A	FORD	100494	E6HZ1190D	FORD	370001A	E7HZ7052A	FORD	417316	E9020310 LUF		415458!

! Industrial Size/Type

= The U.S. customer service number is 877-4-TIMKEN. The Canadian customer service numbers are 800-565-4927 (English) and 800-565-0438 (French-Canadian).

Mfr. No.	Name	Zero Duplication or Recommended Industrial	Mfr. No.	Name	Zero Duplication or Recommended Industrial	Mfr. No.	Name	Zero Duplication or Recommended Industrial	Mfr. No.	Name	Zero Duplication or Recommended Industrial
E9020320	LUF	455151	E924175	WILYS	471558	EE363	MINNM	473463	ERJA245	CONTI	240698
E9020330	LUF	417316!	E92Z-1177A	FORD	1932	EG2949CA2	SPG	5131	ERJA252	CONTI	350974!
E9020345	LUF	416654!	E92Z-1177B	FORD	224235	EH-135	LAZOR	227410	ES1008-1	MCCOR	9845
E9020350	LUF	416654	E92Z-1S177AA	FORD	1932	EH-266	LAZOR	473367	ES1164	AVCO	412871!
E9020360	LUF	417349!	E92Z-7F401A	FORD	710446	EH-292	LAZOR	1938	ES145	LAZOR	222745
E9020365	LUF	417349!	E92Z3C084A	FORD	710223	EH-294	LAZOR	1943	ES145	LAZOR	27X45X8!
E9020369	LUF	415995!	E92Z3C084B	FORD	710224	EH-295	LAZOR	494117	ES160	LAZOR	225005
E9020370	LUF	415995!	E92Z6700A	FORD	223420	EH14184	GEM	240733	ES160	LAZOR	50X62X7!
E9020370	LUF	415995!	E92Z6701A	FORD	229005	EH41594	CUMMI	471647	ES17687-1	MCCOR	TCS45472
E9020390	LUF	455022	E92Z7A011A	FORD	1990	EHX6011	ALLCH	473448	ES289	LAZOR	1012
E9020400	LUF	476470!	E92Z8507A	FORD	35418	EHX6012	ALLCH	472164!	ES289	LAZOR	1012N
E9020400	LUF	476470	E942	NOVO	472179	EJN7610041	AM BO	471652	ES290	LAZOR	223255
E9020405	LUF	415025	E951036	WILYS	472354!	EJN76120195	AM BO	472560N!	ES290	LAZOR	32X52X7!
E9020410	LUF	455026	E95841M	CHRYS	471705!	EJN80295	AM BO	6863S!	ES31512-1	MCCOR	9845
E9020415	LUF	415991!	E97127M	CHRYS	450339	EJN9012218	AM BO	240009	ES31902-1	MCCOR	TCS45725
E9020415	LUF	415991!	E973	NOVO	473419	EK475937HG	SPG	415937	ES31902-1	MCCOR	TCS45727
E9020420	LUF	415991	E99Z4676A	FORD	5778V	EK8515BX	SPG	5126	ES3575	AVCO	472164!
E9020420	LUF	455146!	E9DZ6700A	FORD	1213N	EL-121	LAZOR	473179!	ES36173-1	MCCOR	472082
E9020425	LUF	415437	E9DZ6700B	FORD	710220	EL0900421	ROCKW	415483!	ES39499-1	MCCOR	332062
E9020440	LUF	417501	E9SW4B416AB	FORD	714569	EL0900626	CONDC	472164!	ES39795-1	MCCOR	5587
E9020445	LUF	415379	E9SW4B416BAB	FORD	4569V	EM-105	LAZOR	1984	ES97610	MCCOR	TCS45473
E9020450	LUF	415379	E9SZ4B416A	FORD	4569V	EM-108	LAZOR	2008	ES97618	MCCOR	TCS45689
E9020455	LUF	415379	E9SZ4B416A	FORD	714569	EM-130	LAZOR	1990	ES97664	MCCOR	TCS45633
E9020465	LUF	415034!	E9TP7052AA	FORD	7300S	EM103	LAZOR	1214	ES97670	MCCOR	TCS45434
E9020470	LUF	415034!	E9TP7A248A	FORD	3404	EM103	LAZOR	1214N	ES97698	MCCOR	TCS45603
E9020480	LUF	415035	E9TP7A248A	FORD	3404H	EM140	LAZOR	1215	ES9845	MCCOR	TCS45285
E9020480	LUF	415035!	E9TP7A248AA	FORD	3404	EM140	LAZOR	1215N	ES9846	MCCOR	17760
E9020485	LUF	415035	E9TP7A248AA	FORD	3404H	EM144	LAZOR	1216	ES9847	MCCOR	17780
E9020485	LUF	475845!	E9TZ-7052A	FORD	7412S	EM144	LAZOR	1216N	ES9848	MCCOR	17795
E9020490	LUF	415035	E9TZ-7A248A	FORD	3404	EM153	LAZOR	224020	ET-304	LAZOR	227045
E9020491	LUF	415036	E9TZ4676A	FORD	4525V	EM153	LAZOR	40X55X8!	ETC3589	AVCO	240151
E9020495	LUF	415041	E9TZ7A248B	FORD	3404	ENH40859	CUMMI	330385	ETC3590	AVCO	6597S
E9020505	LUF	455194	EA223638	GMC	240733	EO-2	ATP	470460	EV4430	CLARK	471504!
E9020510	LUF	416556!	EA223694	GMC	343185	EO-4	ATP	320564	EVH42960	CUMMI	471264
E9020510	LUF	472157	EA223910	GMC	451143	EO3	ATP	1167	EX10770	JAC	471649!
E9020515	LUF	415196!	EA223917	GMC	240731	EO3	ATP	710306	EX10926	JAC	471571
E9020520	LUF	415196!	EAA5281203	AM BO	340413	EO5	ATP	223840	EX1099211	JOHND	476838!
E9020525	LUF	55199=	EAA602259	AM BO	340817	EO5	ATP	38X58X8!	EX11241	KINGN	474276!
E9020530	LUF	55199=	EAA602275	AM BO	240414	EO6	ATP	473179	EX11242	JAC	340787
E9020532	LUF	417525	EAA6336B	FORD	5596=	EOS882	PAARS	417433=	EX11469	JAC	474253!
E9020540	LUF	416888!	EAA6700A	FORD	350936	EP46841	VIC	376590A	EX11508	JAC	470954!
E9020545	LUF	416154!	EAA6700B	FORD	350936	EP468411	VIC	370026A	EX115650	AU-LI	471765!
E9020550	LUF	416154!	EAA6700B1	FORD	350936	EP46842	VIC	370036A	EX11579	JAC	340787
E9020570	LUF	415351!	EAA6700B2	FORD	350936	EP46842	VIC	370349A	EX11615	JAC	471224!
E9020580	LUF	417273	EAA6700B2	NOVI	350936	EP46842	VIC	380036A	EX11616	JAC	471567!
E9020590	LUF	417273	EAA6700B4	FORD	350936	EP46847	VIC	370037A	EX11633	JAC	470954!
E9020600	LUF	416865!	EAA6700BMR	FORD	350936	EP46847	VIC	370338A	EX119120	AU-LI	330385!
E9020610	LUF	416865!	EAA6701A	FORD	5596=	EP46849	VIC	370027A	EX12177	JAC	471267!
E9020622	LUF	417542	EAF18183A	FORD	472810!	EP47794	VIC	370006A	EX12614	MASSE	472439
E9020645	LUF	55357	EAF6700A	FORD	350936	EP64236	VIC	386025A	EX12620	MASSE	415995!
E9020660	LUF	416107!	EAF6700B	FORD	350936	EP64236	VIC	416158	EX12905	JAC	471736
E9020670	LUF	7006S	EAF6700F	FORD	350936	EP64410-1	VIC	370003A	EX13070	JAC	472560N!
E9020685	LUF	416666	EBK2155	AVCO	417509	EP64410-1	VIC	380003A	EX13294	JAC	471750!
E9020690	LUF	455297	EBK2161	AVCO	470088	EP64410-2	VIC	370003A	EX15453	BENDI	471466!
E9020720	LUF	415072	EBU6348B	FORD	5479	EP64410-2	VIC	380003A	EX21384	JAC	471766!
E9020750	LUF	417563	EC-236	LAZOR	494122	EP64410-3	VIC	370003A	EX23118B	GMC	7141=
E9020816	LUF	416364!	EC-263	LAZOR	474134	EP64414	VIC	370001A	EX273U	NORDG	473227!
E9020820	LUF	416364!	EC265	LAZOR	224570	EP64414-1	VIC	370001A	EX27797	ALLCH	480210!
E9020822	LUF	416239!	EC265	LAZOR	45X72X12!	EP66	SPG	722108	EX30827	C-P	340817
E9020828	LUF	416044	ECA13C69	GR-DV	J1124	EPS2787	AVCO	471689	EX313	OLIVE	471192
E9020850	LUF	415867	ECU9364A	FORD	12473	EPS2788	AVCO	40494S	EX3764	ALLCH	415001!
E9020860	LUF	415551	ED-288	LAZOR	2002	EQ20900	LUF	417601	EX392	OLIVE	205035
E9020900	LUF	417601	EDX6004	ALLCH	450593!	ER90135	EATON	471570!	EX4031	KEN	476470
E9020905	LUF	417601	EE352	MINNM	472157	ER90302	EATON	471442!	EX4031	KEN	476470!
E9020910	LUF	55301S	EE352	MINNM	472157!	ER90360	EATON	471442!	EX43607	JAC	471737
E9020960	LUF	415128	EE352A	MINNM	472157	ER90676	EATON	471564	EX475	LAU	471267!
E9020965	LUF	415482	EE352A	MINNM	472157!	ER90839	EATON	471646!	EX476	LAU	472311!
E906292	AMC	472560N!	EE35716	OSHKO	472185!	ER90850	EATON	470954	EX51288ND	MASSE	472287!
E906292	WILYS	472560N!	EE35775	OSHKO	417484!	ER91562	EATON	471466!	EX52416	MASSE	416404!
E920110	LUF	471647	EE35781	OSHKO	476470!	ER91563	EATON	471570!	EX52717ND	MASSE	450068
E920400	LUF	476470	EE35781	OSHKO	476470	ER92999	EATON	470954!	EX52862ND	MASSE	473225!
E920400	LUF	476470!	EE35783	OSHKO	411253!	ER9531	EATON	471442!	EX53364ND	MASSE	417484!

ALPHABETICAL INTERCHANGE

! Industrial Size/Type

= The U.S. customer service number is 877-4-TIMKEN. The Canadian customer service numbers are 800-565-4927 (English) and 800-565-0438 (French-Canadian).

Zero Duplication or Recommended Industrial		Zero Duplication or Recommended Industrial		Zero Duplication or Recommended Industrial		Zero Duplication or Recommended Industrial					
Mfr. No.	Name	Mfr. No.	Name	Mfr. No.	Name	Mfr. No.	Name				
EX54262ND	MASSE	411253!	F12607	CASE	471649!	F3HZ6700A	FORD	39803	F5151	FAIRM	473225!
EX5734	MINNM	481864	F12Z6700A	FORD	223420	F3HZ6700B	FORD	39804	F5228	FAIRM	476838!
EX5809	MINNM	473215!	F12Z6701A	FORD	229005	F3HZ6701A	FORD	39805	F5249	RELEE	471138!
EX5810	MINNM	473464	F1625	EATON	3098=	F3LP7052AA	FORD	4764	F5254	RELEE	471570!
EX5810	MINNM	473464!	F1636	EATON	8635S	F3LY7052A	FORD	4764	F53634	CASE	471766!
EX5868	JAC	471281!	F18133	CASE	450362	F3M5589	CATER	415035	F53639	CASE	470380!
EX6054	JAC	471570!	F19661	CASE	473232	F3M6839	CATER	455029H=	F5421	FAIRM	450104
EX6293	JAC	471103!	F1AE6701CA	FORD	3909	F3M8228	CATER	416476!	F5422	FAIRM	415458!
EX6405	MINNM	471765!	F1AZ6700A	FORD	473454	F3R3-1177A	FORD	3622	F5609	FAIRM	417073
EX6429	MINNM	417316!	F1AZ6701A	FORD	3909	F3RP-1177A	FORD	3622	F5610	FAIRM	417485
EX666	LAU	471539!	F1CZ6701A	FORD	228250	F3RP-7F401-AA	FORD	4635	F57Z-3254-AA	FORD	710428
EX7029	MINNM	472157	F1CZ6701A	FORD	710448	F3RP-7F401-AA	FORD	4635H	F57Z-3254-BA	FORD	710429
EX7029	MINNM	472157!	F1CZ6701B	FORD	228250	F3RP1177AA1	FORD	3622	F57Z4L616AA	FORD	714675
EX7428	MINNM	417349	F1HZ1175A	FORD	370023A	F3RP7H260AA	FORD	3622	F5940	CASE	413247!
EX7478	MINNM	472016	F1HZ1175C	FORD	370019A	F3RZ-7F401A	FORD	4635	F5AZ-6700-A	FORD	473454
EX7587	MINNM	417621!	F1HZ1175D	FORD	370021A	F3RZ-7F401AVMR	FORD	4635	F5RZ-1177-AA	FORD	710443
EX8078	MINNM	415302	F1JY6700A	FORD	710355	F3RZ1177A	FORD	3622	F5RZ6700A	FORD	3771
EX8089	MINNM	473460	F1SE6701AA	FORD	3909	F3SE-6700-AA	FORD	350936	F5RZ6701A	FORD	3772
EX8360	MINNM	472299	F1SZ6701A	FORD	3909	F3TZ-1175-B	FORD	710453	F5TZ-1175-A	FORD	710430
EX8653	MINNM	473010!	F1TE-6701-A2A	FORD	2377	F3TZ-1175-BA	FORD	710453	F5TZ-6701-A	FORD	473573
EX8660	MINNM	450165	F1TE6701A1A	FORD	2377	F3TZ-1175-BB	FORD	710453	F5TZ1190A	FORD	710430
EX8660	MINNM	471801!	F1TZ6701A	FORD	2377	F3TZ-7B215-A	FORD	710403	F5TZ1190AA	FORD	710430
EX8664	MINNM	471192	F223	ALLCH	352541	F3UP7052AA	FORD	4765	F5TZ4676A	FORD	4525V
EX9074	MINNM	471570!	F22582	CASE	472164!	F3UZ7052A	FORD	4765	F600B-223	CONTI	416738!
EX9120	MINNM	471472!	F22670	CASE	417492	F3XA6700A	FORD	223340	F600B-223	CONTI	450096
EX9131	MINNM	473205	F23A20	CARTR	12473	F3XA6700AA	FORD	224052	F600B-246	CONTI	416738!
EX933	CLARK	471730	F23P7H260AA	FORD	3622	F3XA6701BA	FORD	228410	F600B-246	CONTI	450096
EX9961	MINNM	50209	F241543	AVCO	204020	F3XA7A248AA	FORD	224450	F60185	CASE	450456!
EXE5153	MASSE	450398	F241543	AVCO	204505!	F3XY-7A248A	FORD	224450	F6024	CASE	470088
EXE5153	MASSE	471267!	F256	BUC-E	415047	F3XY1177A	FORD	710118	F60829	CASE	473231
EXE5524	MASSE	470954!	F263A	PORTR	415023	F3XY1177B	FORD	710124	F60830	CASE	417433
EXE5525	MASSE	340413	F282	MINNM	473441	F3XY6700A	FORD	224052	F64120	FUNK	415960!
EXV10292	CASE	455194	F2940	FAIRM	5727	F3XY6701A	FORD	228410	F6442	CASE	450523
EXV11176	CASE	472810!	F2BZ6700A	FORD	223012	F3XY6701B	FORD	228410	F65001	FUNK	340724!
EXV13426	CASE	471193	F2DE6701AB	FORD	3772	F3XY6K292A	FORD	223420	F65002	FUNK	470712!
EXV13426	CASE	415035!	F2DZ-7F401A	FORD	4189H	F40054	DOMGA	473237	F65003	FUNK	471192
EXV18251	CASE	471766!	F2DZ-7F401AVMR	FORD	4189H	F400S-205	CONTI	240385	F65004	FUNK	473228
EXV4417	CASE	473463	F2HT1175AA	FORD	370023A	F40120	DOMGA	413246	F65006	FUNK	472179
EXV5226	CASE	455134!	F2HZ1175A	FORD	370047A	F40838	CASE	473239	F65007	FUNK	410308!
EXV5784	CASE	471689!	F2HZ1175B	FORD	370023A	F47504	BRADF	55155=	F65008	FUNK	472016
EXV5899	CASE	470605!	F2HZ1175C	FORD	370003A	F4857	FAIRM	415995!	F65010	FUNK	411376!
EXV7985	CASE	472560N!	F2R2677	CATER	472185!	F4AZ-6700-A	FORD	473454	F65011	FUNK	413247!
EZ0153A0	NOK	224660	F2R8416	CATER	415389=	F4AZ6701A	FORD	3909	F65013	FUNK	415449!
EZ0302E	NOK	376590A	F2TA1175AA	FORD	418028	F4BA6700B	FORD	710355	F65015	FUNK	415995!
EZ2199C0	NOK	710302	F2TZ-1175-B	FORD	710413	F4BZ-1177B	FORD	2007N	F65022	FUNK	471554!
EZ2894A0	NOK	710293	F2TZ-1175-C	FORD	710414	F4BZ-1177B	FORD	710323	F65024	FUNK	472409!
EZ2959A0	NOK	223010	F2TZ1175A	FORD	418028	F4BZ-1177C	FORD	710323	F65025	FUNK	416706!
F-30808	FORSH	710413	F2TZ6701-A	FORD	3893V	F4BZ-1177D	FORD	4990	F65028	FUNK	416404!
F0283317	IH	471785!	F2VY-7A248-A	FORD	3404	F4BZ-1177E	FORD	2007N	F65030	FUNK	470380!
F09Z-7B215-A	FORD	710388	F30715	FORD	330385!	F4BZ1177A	FORD	1126	F65034	FUNK	411253!
F09Z-7B215-B	FORD	710389	F312R	JOHND	417181!	F4BZ12143A	FORD	427RR	F65035	FUNK	472572!
F09Z-7B215-C	FORD	710441	F320	BUC-E	415995!	F4BZ6700A	FORD	223012	F65037	FUNK	473459
F09Z3254A	FORD	472258	F3232	RELEE	471276	F4BZ6700B	FORD	710355	F65046	FUNK	412861
F09Z3254C	FORD	472258	F3245	RELEE	470682	F4BZ6701A	FORD	228250	F65051	FUNK	472164!
F0DZ6701-A	FORD	710219	F32Z-6700-D	FORD	2012V	F4BZ6701A	FORD	710448	F65053	FUNK	471870!
F0HS1190AA	FORD	370001A	F32Z1177A	FORD	1932	F4HS1175BA	FORD	370003A	F65054	FUNK	450375!
F0HZ1190AA	FORD	370001A	F32Z6700A	FORD	2012V	F4SZ6700A	FORD	350936	F65054	FUNK	6936S!
F0HZ7048A	FORD	472636	F32Z6700B	FORD	223420	F4TZ-1177-C	FORD	370047A	F65054	FUNK	9845
F0HZ7052A	FORD	415035	F32Z6700C	FORD	223420	F4TZ-1177B	FORD	370047A	F65060	FUNK	471272!
F0HZ7052B	FORD	415035	F32Z6701A	FORD	1019	F4TZ-6700-A	FORD	3894V	F65062	FUNK	471271!
F0JY-1S177A	FORD	2007N	F32Z6701B	FORD	229004	F4TZ-6700-A	FORD	5066	F65063	FUNK	471262!
F0JY1177A	FORD	2007N	F37383	CASE	487945	F4TZ-6701-B	FORD	2377	F65064	FUNK	471271!
F0MV14164	FMC	416624!	F37Z6701A	FORD	3772	F4TZ-7B215A	FORD	4333N	F65066	FUNK	417433!
F0MV14165	FMC	415991	F39104	FORD	471553!	F4TZ6701A	FORD	5723	F65071	FUNK	473179!
F0MV14165	FMC	455146!	F3AE-6700-AA	FORD	473454	F4TZ6701C	FORD	5118	F65080	FUNK	412943
F0TW1177AA	FORD	370047A	F3AE6701AA	FORD	3909	F4TZ7B215B	FORD	4503N	F65087	FUNK	470950!
F0TZ1177A	FORD	370047A	F3BZ6700A	FORD	223012	F4XA-6701-AA	FORD	228410	F65087	FUNK	6241S
F0TZ4676A	FORD	473452	F3DP-7F401BA	FORD	4189H	F4XY6701-A	FORD	228410	F65095	FUNK	473010!
F0ZC1190AA	FORD	9150S	F3HT1175AA	FORD	370023A	F4ZZ-7052-A	FORD	710426	F65101	FUNK	412119!
F0ZZ1190A	FORD	9150S	F3HT1175AA	FORD	380023A	F5109	FAIRM	415036	F65102	FUNK	416294!
F11902	CASE	6241S	F3HZ4676A	FORD	100263	F51370	MARMO	416865!	F65104	FUNK	416294!
F12546	FAIRM	473215!	F3HZ4676A	FORD	4562V	F5145	FAIRM	412119!	F65105	FUNK	415991

! Industrial Size/Type

= The U.S. customer service number is 877-4-TIMKEN. The Canadian customer service numbers are 800-565-4927 (English) and 800-565-0438 (French-Canadian).

Zero Duplication or Recommended Industrial		Zero Duplication or Recommended Industrial		Zero Duplication or Recommended Industrial		Zero Duplication or Recommended Industrial		
Mfr. No.	Name	Mfr. No.	Name	Mfr. No.	Name	Mfr. No.	Name	
F65105	FUNK	455146!	F77Z-7052AA FORD	2655	FM302 GILSN	200354	G13817 CASE	450285
F65106	FUNK	417211!	F77Z6701BA FORD	473573	FM508 IG-RA	471192	G13818 CASE	471224!
F65116	FUNK	473227!	F7819 FAIRM	415988	FO-124 ATP	2658	G13819 CASE	353120
F65117	FUNK	471271!	F7AP7052AA FORD	4764	FO-191 ATP	3404	G13821 CASE	471827!
F65118	FUNK	471984	F7AZ-7052A FORD	4764	FO103 ATP	412473!	G13822 CASE	415962
F65119	FUNK	471466!	F7CZ-7052AA FORD	1990	FO122 ATP	2655	G13824 CASE	415035
F65120	FUNK	415960!	F7TZ1175AA FORD	415960	FO123 ATP	2658	G13825 CASE	412473!
F65121	FUNK	415449!	F7UZ-1175A FORD	9864S	FO182 ATP	473473	G13827 CASE	470954!
F65123	FUNK	415937!	F7UZ-1177A FORD	710067	FO185 ATP	470687	G157-B208 CONTI	412473!
F65136	FUNK	415294!	F7ZZ-6701BA FORD	473573	FO2 ATP	473459	G157B203 CONTI	412473=
F65137	FUNK	415483	F8085 CASE	340823	FO29 ATP	410308!	G157S202 CONTI	471442!
F65151	FUNK	450313	F81A-1175AA FORD	710454	FO5 ATP	473234!	G1710 HU-WR	416921!
F65154	FUNK	415995!	F81A1175EA FORD	415958	FOMV14164 FMC	416624!	G20147 DOMGA	332062
F65157	FUNK	472492!	F81A1175EA FORD	417505	FOMV14165 FMC	415991	G20189 DOMGA	3945
F65158	FUNK	450313	F81A1175HA FORD	710413	FOMV14165 FMC	455146!	G273 PORTR	416892!
F65159	FUNK	415371	F81P-7052AA FORD	100086	FS2753 EL-WH	205004	G274 PORTR	415025
F65181	FUNK	470898	F81P-7052AB FORD	100086	FS42159U NORDG	471649!	G297 TW-CO	471733
F65184	FUNK	415449!	F81Z-1175AA FORD	710454	FS50601U NORDG	471192	G3001 SPG	730033
F65193	FUNK	473212!	F81Z-1175GA FORD	9864S	FS50711 NORDG	470712!	G3002 SPG	730021
F65194	FUNK	472164!	F81Z-1S175AA FORD	710454	FS50711U NORDG	470712!	G3003 SPG	730020
F65195	FUNK	415725!	F81Z-7052AA FORD	100086	FS60278U NORDG	472354!	G3005 SPG	730007
F65196	FUNK	415294!	F81Z1175HA FORD	710413	FS60279U NORDG	473231!	G3006 SPG	730018
F65198	FUNK	471442!	F82958 CASE	5576	FS9687 EL-WH	6590S	G3008 SPG	730005
F65199	FUNK	416664!	F87A-1N049AA FORD	710519	FSK18537 IH	412119!	G3009 SPG	730013
F65200	CHALL	471272!	F87Z-1190AA FORD	710519	FSK21639 IH	473474	G3011 SPG	730022
F65200	FUNK	471272!	F8987 FAIRM	473445	FT2105 MINNM	415035	G3012 SPG	730026
F65204	FUNK	417262=	F89W4676AA FORD	3604	FT2105 MINNM	415035!	G3013 SPG	730002
F65205	FUNK	472394	F89Z4676AA FORD	3604	FT2213 MINNM	472636!	G3014 SPG	730028
F65207	FUNK	415379!	F8UZ-4676AA FORD	719316	FT2230 MINNM	472409!	G3016 SPG	730035
F65207	FUNK	415379	F9052 FAIRM	474281!	FT2402 MINNM	472287!	G3019 SPG	730009
F65208	FUNK	455019!	F9743 CASE	471192	FT2412 MINNM	471649!	G3022 SPG	730023
F65209	FUNK	472164!	F9744 CASE	417344!	FT3332 MINNM	472409!	G3023 SPG	730010
F65214	FUNK	473244!	F9802 CASE	415035	FT3339 MINNM	415302	G3024 SPG	730004
F65215	FUNK	415937!	FA11 LK-BT	55028	FT606 MINNM	473463	G3025 SPG	730003
F65216	FUNK	415389	FA6534 PORTR	411245!	FT650 MINNM	55028	G3028 SPG	730001
F65217	FUNK	473444	FAA12476A FORD	240470	FT650 WHITE	55028	G3031 SPG	730019
F65218	FUNK	415234!	FAA12476B FORD	240470	FW189602 SPERY	472015=	G3034 SPG	730027
F65227	FUNK	471466!	FAB12143A FORD	421	FW593112 SPERY	471271!	G3035 SPG	730011
F65228	FUNK	471504	FB12571 CASE	455019!	FX-09 COC	472144!	G3037 SPG	730031
F65229	FUNK	471272!	FB13736 CASE	472439	FXS30 COC	455079!	G3039 SPG	730034
F65235	FUNK	470625!	FD1084 FABCO	472193!	FXS39 COC	473448!	G3040 SPG	730008
F65240	FUNK	455019!	FD1405 FABCO	470334!	G-0253359 IH	415458!	G3041 SPG	730016
F65246	FUNK	476470	FD1779 GUY	472179	G00505126 FWD	415984!	G3042 SPG	730014
F65708	CASE	415379!	FD182 NAPD	471344	G00505135 FWD	470334!	G3044 SPG	730017
F65708	CASE	415379	FD192 NAPD	6936S	G0S672 PAARS	472012	G3045 SPG	730012
F65P-7052AA FORD		4765	FD236 FABCO	473461!	G10005 CASE	412473!	G3046 SPG	730006
F65W-3N134-AA FORD		3604	FD256 FABCO	415027	G10346 CASE	416706!	G3053 SPG	730032
F65Z-3N134-AA FORD		3604	FD31 FABCO	450111	G10421 CASE	473425	G3056 SPG	730030
F6647 FAIRM		472439	FD323 FABCO	471272!	G10422 CASE	471821!	G3060 SPG	730024
F673 FAIRM		470334!	FD370 FABCO	5965	G105118 CASE	470954!	G3066 SPG	730025
F6731 FAIRM		470334!	FD372 FABCO	5965	G10561 CASE	415991	G3067 SPG	733067
F67Z-1177AA FORD		8660S	FD3792 CASE	204017	G10561 CASE	455146!	G3078 SPG	730029
F67Z-1177AC FORD		8660S	FD391 FABCO	473239	G10651 CASE	415991	G3237CAR SPG	8660S
F6DZ-6700-AA FORD		710444	FD87 FABCO	472185!	G10651 CASE	455146!	G3873CA SPG	3873
F6HS1190AA FORD		370001A	FD88 FABCO	473442!	G10689 CASE	471341!	G3873CAR SPG	8695S
F6TP-7052-AA FORD		4981V	FF1118 FULLE	472394	G13053 CASE	204079=	G3983CA SPG	3983
F6TZ-7052A FORD		7300S	FG0616 MO-CH	471684!	G13112 CASE	472810!	G4019RX SPG	4019N
F6UZ-7052AMR FORD		4765	FG0617 MO-CH	473203	G13800 CASE	6590S	G40HB12 BRADF	471633!
F6UZ7052A FORD		4765	FG0624 MO-CH	415082	G13801 CASE	471138!	G4696SAR SPG	710067
F6XA-6700AA FORD		224052	FGO611 MO-CH	471730	G13802 CASE	471192	G4855S SPG	710105
F6XZ6700AA FORD		224052	FGO616 MO-CH	471684!	G13803 CASE	473215!	G4855SAR SPG	710105
F6XZ6701BA FORD		228410	FGO635 MO-CH	416267!	G13804 CASE	204084=	G527 HU-WR	415995!
F6ZZ-7052-A FORD		710431	FH3022207 EL-MO	J1111	G13805 CASE	471267!	G529 HU-WR	415001!
F7023 CASE		240414	FH3022208 EL-MO	J1121	G13807 CASE	471267!	G6665E JOHND	340136
F7150 CASE		5976S	FH3022209 EL-MO	J1109	G13810 CASE	415962	G923 HU-WR	476470
F7213 CASE		450984	FH3022302 EL-MO	471267!	G13811 CASE	415035	G9569CAR SPG	9569S
F724 MINNM		470712!	FH3022307 EL-MO	471272!	G13811 CASE	415035!	GAF6924B DURA	471984
F7312 CASE		450984	FH3022313 EL-MO	416404!	G13813 CASE	471271!	GAU4381 FORD	455005
F75W-1177BA FORD		100357	FH757153 CASE	471766!	G13814 CASE	473197	GB11512 HWY	472492!
F75Z-1177BA FORD		100357	FHO44594 CASE	472193!	G13815 CASE	340771	GB350 EMSCO	415124
F75Z-1S177BA FORD		100357	FJO5301 MASSE	417082	G13816 CASE	450129	GB45587 FORD	471224!
F7617 FAIRM		473232	FM3 FMC	416892!	G13816 CASE	472826!	GB8 GOODM	311189

! Industrial Size/Type

= The U.S. customer service number is 877-4-TIMKEN. The Canadian customer service numbers are 800-565-4927 (English) and 800-565-0438 (French-Canadian).

ALPHABETICAL INTERCHANGE

Mfr. No.	Name	Zero Duplication or Recommended Industrial	Mfr. No.	Name	Zero Duplication or Recommended Industrial	Mfr. No.	Name	Zero Duplication or Recommended Industrial	Mfr. No.	Name	Zero Duplication or Recommended Industrial
GC1115	MACK	417433 =	GS1026	GUARA	1174	GS1182	GUARA	415960	GS1281	GUARA	3395 !
GC500	EMSCO	416865 !	GS1026	GUARA	1188	GS1183	GUARA	3210	GS1282	GUARA	6966S
GD193-B306	CONTI	335821H =	GS1026	GUARA	38X52X8.5 !	GS1184	GUARA	1165	GS1283	GUARA	471862
GD193-B306B	CONTI	335821H =	GS1029	GUARA	6840S	GS1187	GUARA	370046A	GS1286	GUARA	8597S
GD193-B306C	CONTI	335821H =	GS1033	GUARA	3357	GS1190	GUARA	471224 !	GS1287	GUARA	9363S
GE1142	ALLCH	471766 !	GS1034	GUARA	7994S	GS1194	GUARA	472560N	GS1288	GUARA	470059
GE1143	ALLCH	471735	GS1038	GUARA	7607	GS1198	GUARA	204017	GS1288	GUARA	470380 !
GEL3344	WHITE	417267	GS1042	GUARA	291295	GS1201	GUARA	473235	GS1289	GUARA	7886S
GG-335-32152	JOHND	472394	GS1044	GUARA	5699	GS1202	GUARA	40494S	GS1290	GUARA	473228
GG33521109	JOHND	473225 !	GS1046	GUARA	9150S	GS1202	GUARA	472164	GS1291	GUARA	470487 !
GG33530797	JOHND	473215 !	GS1047	GUARA	2043	GS1203	GUARA	472164 !	GS1292	GUARA	470059
GG33531190	JOHND	471138 !	GS1051	GUARA	4148	GS1204	GUARA	472179	GS1292	GUARA	470380 !
GG33532185	JOHND	472015 !	GS1052	GUARA	5113	GS1205	GUARA	6781	GS1293	GUARA	8940S
GGAAH103	SPICE	712000	GS1052	GUARA	7721 !	GS1206	GUARA	203006 !	GS1294	GUARA	415995 !
GGAAH106	DANA	714512	GS1053	GUARA	9762S	GS1207	GUARA	44053	GS1295	GUARA	8695S
GGAAH109	DANA	415088	GS1054	GUARA	8139	GS1211	GUARA	473450 !	GS1296	GUARA	471821 !
GJ1902F0	NOK	32X52X7 !	GS1056	GUARA	6954S	GS1213	GUARA	1949	GS1297	GUARA	450143
GK2250	MASSE	471554 !	GS1061	GUARA	8974S	GS1214	GUARA	472475	GS1298	GUARA	224015
GK3113	MASSE	472234	GS1063	GUARA	493291	GS1214	GUARA	6064	GS1301	GUARA	8835S
GL1113	MASSE	410308 !	GS1066	GUARA	493637	GS1215	GUARA	203034	GS1302	GUARA	40286
GL1172	MASSE	472924 !	GS1068	GUARA	5109	GS1218	GUARA	470712 !	GS1306	GUARA	224270
GM28	LK-BT	472029	GS1070	GUARA	442380	GS1220	GUARA	1012	GS1306	GUARA	42X72X10 !
GMR46	ALLCH	415041	GS1070	GUARA	471271 !	GS1220	GUARA	1012N	GS1307	GUARA	473234 !
GMR64	ALLCH	411253 !	GS1071	GUARA	4250	GS1220	GUARA	1960	GS1310	GUARA	9178S
GO1012	CLEVI	BS+CS+HS7603S	GS1073	GUARA	416273 !	GS1220	GUARA	45X62X8 !	GS1312	GUARA	9911S
GO1013	CLEVI	BS+CS+HS7603S-1	GS1074	GUARA	5123	GS1221	GUARA	471785 !	GS1315	GUARA	1012
GO1A	ATP	451117N =	GS1076	GUARA	413248	GS1222	GUARA	451182	GS1315	GUARA	1012N
GOO65930	FWD	417344 !	GS1078	GUARA	415960	GS1226	GUARA	8139	GS1318	GUARA	472747
GOS633	PAARS	476470	GS1080	GUARA	411348 !	GS1229	GUARA	5756	GS1319	GUARA	5458
GP1177	FORD	40566S	GS1084	GUARA	1192	GS1230	GUARA	40566S	GS1320	GUARA	340823
GP3031	FORD	471413	GS1088	GUARA	1949	GS1231	GUARA	8430S	GS1321	GUARA	473179
GP3034	FORD	40576S	GS1089	GUARA	1992	GS1233	GUARA	473473	GS1322	GUARA	3604
GP7770A	FORD	473229	GS1091	GUARA	1209	GS1234	GUARA	40316S	GS1322	GUARA	414045 !
GP7798	FORD	471466 !	GS1095	GUARA	1012	GS1236	GUARA	442874	GS1323	GUARA	2689S
GPA1177	FORD	471835 !	GS1095	GUARA	1012N	GS1237	GUARA	2669	GS1324	GUARA	9912
GPA7262	FORD	411394 !	GS1101	GUARA	1174	GS1238	GUARA	353135	GS1325	GUARA	3195
GPW3591	FORD	353132	GS1101	GUARA	38X52X8.5 !	GS1238	GUARA	474278	GS1327	GUARA	9049
GPW6701	FORD	5585 \$	GS1107	GUARA	1973	GS1238	GUARA	6859S	GS1327	GUARA	9049N
GPW6702	FORD	5585 \$	GS1107	GUARA	48X65X10 !	GS1239	GUARA	3199	GS1328	GUARA	8704S
GR2001	MASSE	472636 !	GS1108	GUARA	1128	GS1240	GUARA	410496 !	GS1330	GUARA	472144 !
GS1000	GUARA	473317	GS1109	GUARA	227040	GS1241	GUARA	416273 !	GS1332	GUARA	5113
GS1001	GUARA	41257 !	GS1109	GUARA	70X90X10 !	GS1242	GUARA	471787	GS1333	GUARA	472492 !
GS1002	GUARA	7934S	GS1112	GUARA	224820	GS1246	GUARA	1012	GS1334	GUARA	6465
GS1003	GUARA	8705S	GS1112	GUARA	48X62X8 !	GS1246	GUARA	1012N	GS1338	GUARA	6077
GS1004	GUARA	4148	GS1113	GUARA	1110	GS1249	GUARA	8293S	GS1341	GUARA	6090S
GS1004	GUARA	471424 !	GS1114	GUARA	1213N	GS1250	GUARA	416865 !	GS1346	GUARA	412119 !
GS1004	GUARA	9406S	GS1115	GUARA	482126	GS1251	GUARA	3348	GS1347	GUARA	412119 !
GS1005	GUARA	331301N	GS1118	GUARA	1174	GS1253	GUARA	484054 !	GS1348	GUARA	410987 !
GS1005	GUARA	9015S	GS1118	GUARA	38X52X8.5 !	GS1253	GUARA	6370N	GS1348	GUARA	450686
GS1006	GUARA	8121S	GS1120	GUARA	1952	GS1255	GUARA	484058	GS1349	GUARA	416271 !
GS1007	GUARA	6815	GS1121	GUARA	1012	GS1256	GUARA	9161	GS1350	GUARA	410825
GS1008	GUARA	8871	GS1121	GUARA	1012N	GS1257	GUARA	473812	GS1351	GUARA	417480 !
GS1009	GUARA	5121	GS1123	GUARA	1174	GS1258	GUARA	8594S	GS1353	GUARA	5957S
GS1010	GUARA	3087	GS1123	GUARA	38X52X8.5 !	GS1259	GUARA	8133S	GS1354	GUARA	415458 !
GS1011	GUARA	6840S	GS1125	GUARA	473230 !	GS1260	GUARA	8549S	GS1356	GUARA	455008
GS1012	GUARA	224045	GS1132	GUARA	1196	GS1261	GUARA	51322	GS1357	GUARA	2222
GS1012	GUARA	40X62X12 !	GS1133	GUARA	471737	GS1262	GUARA	9569S	GS1359	GUARA	415960 !
GS1014	GUARA	1165	GS1134	GUARA	483793	GS1263	GUARA	42763	GS1359	GUARA	415960
GS1015	GUARA	1209	GS1138	GUARA	1209	GS1264	GUARA	9568	GS1360	GUARA	2081
GS1016	GUARA	1165	GS1145	GUARA	2002	GS1265	GUARA	7687S	GS1361	GUARA	9864S
GS1016	GUARA	1217	GS1146	GUARA	1985	GS1267	GUARA	7245	GS1362	GUARA	417158 !
GS1017	GUARA	1195	GS1147	GUARA	1986	GS1268	GUARA	471835 !	GS1363	GUARA	417158 !
GS1018	GUARA	224015	GS1159	GUARA	224045	GS1269	GUARA	450776 !	GS1363	GUARA	9864S
GS1019	GUARA	225020	GS1159	GUARA	40X62X12 !	GS1270	GUARA	470898	GS1364	GUARA	417487
GS1019	GUARA	50X68X8 !	GS1161	GUARA	442874	GS1272	GUARA	1974	GS1365	GUARA	3385
GS1020	GUARA	55X82X12 !	GS1168	GUARA	203006 !	GS1273	GUARA	9344S	GS1366	GUARA	6358
GS1021	GUARA	1950	GS1170	GUARA	7780	GS1274	GUARA	8676S	GS1368	GUARA	416292
GS1021	GUARA	224820	GS1171	GUARA	8243	GS1274	GUARA	9912	GS1369	GUARA	415085 !
GS1021	GUARA	48X62X8 !	GS1173	GUARA	480630 !	GS1275	GUARA	3214	GS1369	GUARA	456648
GS1023	GUARA	1183	GS1174	GUARA	370023A	GS1276	GUARA	8660S	GS1370	GUARA	415437
GS1024	GUARA	1977	GS1178	GUARA	1992	GS1277	GUARA	415447	GS1370	GUARA	415437 !
GS1025	GUARA	1188	GS1181	GUARA	5756	GS1279	GUARA	9116S	GS1371	GUARA	370033A

! Industrial Size/Type \$ F-M Number Is Part Of A Kit

= The U.S. customer service number is 877-4-TIMKEN. The Canadian customer service numbers are 800-565-4927 (English) and 800-565-0438 (French-Canadian).

Mfr. No.	Name	Zero Duplication or Recommended Industrial	Mfr. No.	Name	Zero Duplication or Recommended Industrial	Mfr. No.	Name	Zero Duplication or Recommended Industrial	Mfr. No.	Name	Zero Duplication or Recommended Industrial
GS1372	GUARA	415958	GTV018	RFT	713034	H2110	SPG	RD411	H75296	JOHND	471808!
GS1372	GUARA	415958!	GTV019	RFT	713155	H2111	SPG	RD282	H85305	GAL	471271!
GS1373	GUARA	456618	GTV906	RFT	713040	H22981	JA-HE	471532	H861	PORTR	415991
GS1374	GUARA	417505	GTV907	RFT	713003	H2319A	GMC	473010!	H861	PORTR	455146!
GS1376	GUARA	473238!	GTV908	RFT	713043	H25051	JOHND	472354!	H94951	JOHND	JV1897 =
GS1379	GUARA	223535	GTV913	RFT	713046	H2586B	JOHND	481163!	HA1198	HOUGH	471689!
GS1381	GUARA	1174	GTV917	RFT	713057	H26033065	VILA	1207	HA1199	HOUGH	473215!
GS1381	GUARA	38X52X8.5!	GTV919	RFT	713064	H26033065	VILA	1207N	HA1213	HOUGH	471795
GS1382	GUARA	2000	GTV923	RFT	713132	H275	OLIVE	50199S!	HA1217	HOUGH	471689!
GS1382	GUARA	224235	GTV925	RFT	713134	H275	OLIVE	6863S!	HA1405	HOUGH	474278
GS1382	GUARA	42X58X7!	GTV928	RFT	713076	H281	FABCO	415302	HA396	HOUGH	411394!
GS1383	GUARA	1188	GTV936	RFT	713024	H282	FABCO	473444	HA775	HOUGH	415027!
GS1384	GUARA	1977	GTV939	RFT	713031	H311	TLSMI	471192	HA775	HOUGH	415027!
GS1386	GUARA	1181	GTV940	RFT	713063	H3110	TLSMI	415458!	HA889	HOUGH	415995!
GS1386	GUARA	41X56X7!	GTV941	RFT	713054	H31101	LEROI	450446	HB14262	EMSCO	50514
GS1387	GUARA	1180	GTV943	RFT	713095	H31103	TLSMI	455584	HB19009	EMSCO	415072
GS1387	GUARA	41X55X7!	GTV945	RFT	713036	H31104	TLSMI	455576!	HB19069	EMSCO	415124
GS1388	GUARA	1174	GTV946	RFT	713015	H31107	TLSMI	474278	HC1266	LETN	415045!
GS1388	GUARA	38X52X8.5!	GTV947	RFT	713079	H31124	TLSMI	416888!	HC1411	LETN	417344!
GS1391	GUARA	1174	GTV949	RFT	713100	H31129	TLSMI	415317	HC2071	LETN	473245!
GS1391	GUARA	38X52X8.5!	GTV951	RFT	713018	H31131	TLSMI	415035	HC32842	LETN	418028
GS1393	GUARA	1974	GTV952	RFT	713138	H31138	TLSMI	9568	HC32842	LETN	455137!
GS1394	GUARA	1994	GTV953	RFT	713128	H312	TLSMI	471821!	HC3908	LETN	415043
GS1394	GUARA	48X70X9!	GTV956	RFT	713123	H3120	TLSMI	416167!	HC4003	SPG	HU003A
GS1395	GUARA	1214	GTV960	RFT	713012	H3121	TLSMI	415351!	HC4005	SPG	HU005A
GS1395	GUARA	1214N	GTV961	RFT	713017	H313	TLSMI	472029	HC4007	SPG	HU007A
GS1397	GUARA	1208	GTV962	RFT	713023	H313249	AMC	415995!	HC4008	SPG	HU008A
GS1397	GUARA	48X72X7!	GTV966	RFT	713111	H31354	VIC	72665	HC4014	SPG	HU014A
GS1398	GUARA	1969	GTV967	RFT	713097	H3139	TLSMI	417211!	HC4044	SPG	HU044A
GS1398	GUARA	48X63X9!	GTV968	RFT	713062	H3143	TLSMI	415995!	HC4065	NATL	HU065A
GS1399	GUARA	8429S	GTV969	RFT	713053	H3148	TLSMI	415035	HC4075	SPG	H075
GS1400	GUARA	7686S	GTV970	RFT	713050	H3148	TLSMI	415035!	HC527	LETN	415035
GS1403	GUARA	473234!	GTV972	RFT	713045	H315	TLSMI	415991	HC544	LETN	412473!
GS1403	GUARA	473241!	GTV980	RFT	713026	H315	TLSMI	455146!	HC7497	LETN	417563
GS1407	GUARA	450666	GTV987	RFT	713001	H3150	TLSMI	410496!	HC12312	AU-WS	470954!
GS1408	GUARA	5573	GTV998	RFT	713069	H3154	TLSMI	417254	HC12314	B-L-H	471224!
GS1409	GUARA	6241S	GTV999	RFT	713049	H3155	TLSMI	417554!	HC12315	B-L-H	415234!
GS1414	GUARA	417485	GW24014406	TROS	473235	H3157	TLSMI	417546!	HC12316	B-L-H	412040
GS1415	GUARA	5965	GX1538	MASSE	450165	H3158	TLSMI	415991	HC12316	CLARK	412040
GS1416	GUARA	415857!	GX1538	MASSE	471801!	H3158	TLSMI	455146!	HC12317	B-L-H	415449!
GS1417	GUARA	40185	GY2006W	JOHND	470625!	H318	TLSMI	472560N!	HC12317	CLARK	415449!
GS1418	GUARA	451948	H-9-K226	CONTI	471553!	H3193	TLSMI	415995!	HC12318	B-L-H	472572!
GS1419	GUARA	473214	H1005	DURA	471442!	H3199	TLSMI	6513	HC12318	CLARK	472572!
GS1420	GUARA	1188	H1028813	CUMMI	470712!	H324394	AMC	471649!	HC12319	B-L-H	415294!
GS1422	GUARA	6960	H1028821	CUMMI	471570!	H324395	AMC	471652	HC12319	CLARK	415294!
GS1423	GUARA	205015	H103666	CUMMI	473016!	H336842	CASE	471413!	HC13182	AU-WS	415072
GS1427	GUARA	473258!	H1110	OLIVE	472636!	H428839	CASE	416556!	HCF244	AU-WS	472636!
GS1429	GUARA	5131	H11773	ALLCH	471567!	H428839	CASE	472157	HCF279	AU-WS	55030
GS1434	GUARA	6960	H1240	MARMO	473231	H441	PORTR	417601	HCF280	AU-WS	412473!
GS1435	GUARA	471192	H12477	GMC	473227	H441	TEXAS	417601	HCF281	AU-WS	415449!
GS1482	GUARA	5699	H12478	GMC	240319	H442	PORTR	55301S	HCF3129	AU-WS	471224!
GSE461	ALLCH	415001!	H1251442	LEROI	455151	H442	TEXAS	55301S	HCF3129A	AU-WS	471224!
GTB5398	FORD	471141!	H1251443	LEROI	450054	H4622S	CASE	472144!	HCF5091A	AU-WS	417538
GTB7269	FORD	450593!	H1251444	LEROI	471821!	H5035	KRSE	340900	HCF5097	AU-WS	471270!
GTB7274	FORD	473215!	H1251446	LEROI	473435	H50490	KRSE	417343!	HCF5098A	AU-WS	473227
GTN079	RFT	713058	H1251447	LEROI	50199S!	H504951	VIC	J1110=	HCT186	FMC	417316!
GTN082	RFT	713127	H1251447	LEROI	6863S!	H505055	VIC	J1112	HD1022	LETN	471141!
GTN109	RFT	713025	H125206	LEROI	472924!	H51240	MARMO	410308!	HD1107	LETN	455134
GTN110	RFT	713059	H125208	LEROI	455151	H54879	ITM	2007N	HD2620	LETN	417344!
GTN122	RFT	713070	H125209	LEROI	481073	H553	PORTR	416891!	HD4135	LETN	450911N!
GTN155	RFT	713073	H125210	LEROI	471821!	H55935	ITM	227410	HD41352	LETN	450911N!
GTP501	RFT	713030	H125212	LEROI	450039	H59039	ITM	473367	HD4136	LETN	455134
GTP506	RFT	713002	H137	IRON	474281!	H604637	SPICE	415995!	HD4272	LETN	415645!
GTP523	RFT	713029	H1443	OLIVE	470530!	H620A	HOUGH	415449!	HD4272	LETN	455104
GTP527	RFT	713035	H1443	WHITE	470530!	H620A	OLIVE	450593!	HD4488	LETN	455134
GTP528	RFT	713044	H153F	GN-TI	471750!	H687	PORTR	417273	HD44881	LETN	455134!
GTP537	RFT	713135	H154	MINNM	473243	H693	OLIVE	471141!	HD44882	LETN	455134!
GTV0035	RFT	713074	H1582	OLIVE	472185!	H706	PORTR	455330!	HD4496	LETN	417172
GTV004	RFT	713153	H165	AMBR	450040	H706	TEXAS	455330!	HD4565	LETN	415138!
GTV005	RFT	713151	H1898	SPG	RD295	H70792	GAL	470898	HD4674	LETN	416107!
GTV015	RFT	713007	H193	GN-TI	6283S	H749085	CASE	200339!	HD4674	LETN	455073
GTV017	RFT	713113	H2090	SPG	RD296	H75-HER12010	HERCU	412119	HD5454	LETN	415035

! Industrial Size/Type

= The U.S. customer service number is 877-4-TIMKEN. The Canadian customer service numbers are 800-565-4927 (English) and 800-565-0438 (French-Canadian).

ALPHABETICAL INTERCHANGE

Zero Duplication or Recommended Industrial		Zero Duplication or Recommended Industrial		Zero Duplication or Recommended Industrial		Zero Duplication or Recommended Industrial	
Mfr. No.	Name	Mfr. No.	Name	Mfr. No.	Name	Mfr. No.	Name
HD5586	LETN	417563	J2445	SPG	5370	JH20912	JA-HE
HD6845	LETN	417563	J2529	SPG	J2529	JH20917	JA-HE
HD68451	LETN	417563	J2608	SPG	J2608	JH20920	JA-HE
HD684512	WABCO	417563	J3170700	AMC	7687S	JH20921	JA-HE
HD684513	WABCO	417563	J3208474	AMC	473452	JH20923	JA-HE
HD68452	LETN	417563	J3238137	AMC	3942	JH20924	JA-HE
HD68453	LETN	417563	J32400086	CHRY	9912	JH20927	JA-HE
HD68455	LETN	417563	J3240086	CHRY	9912	JH20928	JA-HE
HD68456	LETN	417563	J3241669	AMC	3698	JH20938	JA-HE
HD68457	LETN	417563	J4103	GMC	472560N!	JH20939	JA-HE
HD684813	WABCO	417563	J4486140	AMC	313842	JH20940	JA-HE
HE11072	LETN	455134	J501389	CHRY	4370N	JH20940	JA-HE
HE11074	LETN	455134	J51163	FULLE	471787!	JJ2560	SPG
HG483	WITTE	472012	J51163	MARMO	471787!	JL2361	SPG
HG723	LETN	455734=	J51163	SPICE	471787!	JM172	LK-BT
HG7233	LETN	455734=	J51291	FULLE	471192	JMU149A	BR-WN
HH00031043	TLSMI	415995!	J51291	MARMO	471192	JN2521	DETRO
HK7010	LETN	417548	J51296	FULLE	415458!	JN2521	SPG
HL1305	LETN	417570	J51296	MARMO	415458!	JO13	ATP
HL153	GN-TI	441319	J51297	FULLE	472572!	JO57	ATP
HL16	HOLT	481163!	J51299	FULLE	472572!	JO0038066	FWD
HLX295	MASSE	240151	J51299	MARMO	472572!	JO0083065	FWD
HM371	LK-BT	482253	J5349457	AMC	710928	JR139	FMC
HM377	LK-BT	415023	J5356675	AMC	442874	JR139	LK-BT
HM59	LK-BT	415001!	J5359457	AMC	3173	JSX-99333	SPG
HO1092	LETN	415379=	J5365082	AMC	3945	JSX-99351	SPG
HO8	ATP	7300S	J6816980	CHRY	224253	JSX-99372	SPG
HO9	ATP	7692S	J6X176	CATER	455079=	JSX-99437	SPG
HS282	HOUGH	473243	J802820	CASE	907104	JSX-99650	SPG
HS4537AH-1	CHRY	415371	J8121397	AMC	722108	JSX99210	SPG
HS925	HOUGH	474278	J8121399	WILYS	472397!	JSX99311	SPG
HU0464	SPG	HU110A	J8121781	AMC	710068	JSX99362	SPG
HWF009C	SPG	HWF009A	J8124630	AMC	5131	JSX99367	SPG
HX43662	JOHND	471255!	J8124881	AMC	3638	JSX99599	SPG
HX44879	JOHND	471529	J8124893	AMC	9613S	JT265A	MINNM
HY5A	HOLT	6701=	J8125718	AMC	3638	JT265A	MINNM
HY694	HU-WR	417267	J8127350	AMC	722109	JT3005	MINNM
HY704	HU-WR	471472!	J8127391	AMC	3638	JT3089	MINNM
HYD-2-A6	FAIRB	470625!	J8128013	AMC	2443	JT3089	MINNM
HYD-2-A7	FAIRB	417316!	J8128016	AMC	222820	JT3111	MINNM
ID306	IDECO	416229	J8128016	AMC	28X40X7!	JT3134	MINNM
ID30927	IDEAL	35127	J8129096	AMC	5131	JT367	MINNM
ID30994	IDEAL	35094	J8130762	AMC	471737	JT467A	MINNM
IE3648	DENCO	473454	J8130762	CHRY	471737	JT885	MINNM
IN3216	CATER	5634	J8130808	AMC	472572	JT885A	MINNM
ISK76884	IH	416167!	J8130810	AMC	472572	JV-1055	VIC
IX223	GRAY	471255!	J8130870	AMC	3173	JV1000	VIC
IXE446	GRAY	472439	J8130870	AMC	710928	JV1002	VIC
J-0081	JEFF	473461!	J8130982	AMC	341022	JV1004	VIC
J0719273	AMC	223005	J8131669	AMC	711552	JV1006	VIC
J0719273	CHRY	223005	J8131674	AMC	471466	JV1007	VIC
J0719273	RENAU	223005	J8132672	AMC	472439	JV1015	VIC
J0719274	AMC	225020	J8132779	AMC	7412S	JV1023	VIC
J0719274	CHRY	225020	J8132822	AMC	483793	JV1025	VIC
J0719274	RENAU	225020	J8132957	AMC	473442!	JV1036	VIC
J0742021	RENAU	222267	J8133528	AMC	3638	JV1044	VIC
J0743161	RENAU	228010	J8133643	AMC	341022	JV1054	VIC
J0853373	CHRY	229005	J8134216	AMC	472319	JV1059	VIC
J0854842	RENAU	1172	J8134446	AMC	710046	JV1059	VIC
J0854852	RENAU	1172	J8134478	AMC	3173	JV1062	VIC
J0859691	RENAU	3771	J8134478	AMC	710928	JV1071	VIC
J0938031	AMC	482267	J8134568	AMC	PSK-1	JV1072	VIC
J0998092	CHRY	5778	J8134587	AMC	474127	JV1080	VIC
J10544	JOHND	471570!	J8134587	CHRY	474127	JV1102	VIC
J10544H	JOHND	471570!	J8182957	AMC	473442!	JV1106	VIC
J11692	JOHND	470954	JB5423	LETN	456799H=	JV1106	VIC
J1190	SPG	JX1190	JB5423	WABCO	456799H=	JV1107	VIC
J13672	JOHND	40169S	JC-1275136218	JN-CR	325940*=	JV1117	VIC
J15506	JOHND	471224	JE9229	MINNM	471570!	JV1128	VIC
J15506HN	JOHND	471224	JEJ40B304430	CINMI	473228	JV1142	VIC
J15881	JOHND	473228	JG1291	MARMO	471192	JV1174	VIC
J177061	CINMI	471192	JG2361	SPG	JG2361	JV1192	VIC
JH20912	JA-HE	471760	JH20912	JA-HE	471760	JV1195	VIC
JH20917	JA-HE	473213!	JH20917	JA-HE	473213!	JV13410	VIC
JH20920	JA-HE	471646!	JH20920	JA-HE	471646!	JV1601	VIC
JH20921	JA-HE	350942	JH20921	JA-HE	350942	JV1603	VIC
JH20923	JA-HE	470590	JH20923	JA-HE	470590	JV1612	VIC
JH20924	JA-HE	471554!	JH20924	JA-HE	471554!	JV1615	VIC
JH20927	JA-HE	471649!	JH20927	JA-HE	471649!	JV1617	VIC
JH20928	JA-HE	471646!	JH20928	JA-HE	471646!	JV1618	VIC
JH20938	JA-HE	471532	JH20938	JA-HE	471532	JV1619	VIC
JH20939	JA-HE	481537	JH20939	JA-HE	481537	JV1629	VIC
JH20940	JA-HE	350156	JH20940	JA-HE	350156	JV1633	VIC
JH20940	JA-HE	473096	JH20940	JA-HE	473096	JV2019	SPG
JJ2560	SPG	J2560	JJ2560	SPG	J2560	JV500	VIC
JL2361	SPG	JL2361	JL2361	SPG	JL2361	JV500	VIC
JM172	LK-BT	476470	JM172	LK-BT	476470	JV500	VIC
JMU149A	BR-WN	471554!	JMU149A	BR-WN	471554!	JV503	VIC
JN2521	DETRO	JN2521	JN2521	DETRO	JN2521	JV503	VIC
JN2521	SPG	JN2521	JN2521	SPG	JN2521	JV506	VIC
JO13	ATP	7018N=	JO13	ATP	7018N=	JV507	VIC
JO57	ATP	9449	JO57	ATP	9449	JV508	VIC
JO0038066	FWD	415072	JO0038066	FWD	415072	JV508	VIC
JO0083065	FWD	415559	JO0083065	FWD	415559	JV510	VIC
JR139	FMC	472439	JR139	FMC	472439	JV510	VIC
JR139	LK-BT	472439	JR139	LK-BT	472439	JV513	VIC
JSX-99333	SPG	99333	JSX-99333	SPG	99333	JV518	VIC
JSX-99351	SPG	99351	JSX-99351	SPG	99351	JV523	VIC
JSX-99372	SPG	99372	JSX-99372	SPG	99372	JV523	VIC
JSX-99437	SPG	99437	JSX-99437	SPG	99437	JV523	VIC
JSX-99650	SPG	99650	JSX-99650	SPG	99650	JV523	VIC
JSX99210	SPG	99210	JSX99210	SPG	99210	JV523	VICRL
JSX99311	SPG	99311	JSX99311	SPG	99311	JV525	VIC
JSX99362	SPG	99362	JSX99362	SPG	99362	JV525	VIC
JSX99367	SPG	99367	JSX99367	SPG	99367	JV531	VIC
JSX99599	SPG	99599	JSX99599	SPG	99599	JV534	VIC
JT265A	MINNM	470059	JT265A	MINNM	470059	JV534	VIC
JT265A	MINNM	470380!	JT265A	MINNM	470380!	JV536	VIC
JT3005	MINNM	473010!	JT3005	MINNM	473010!	JV540	VIC
JT3089	MINNM	450165	JT3089	MINNM	450165	JV547	VIC
JT3089	MINNM	471801!	JT3089	MINNM	471801!	JV547	VIC
JT3111	MINNM	471192	JT3111	MINNM	471192	JV548	VIC
JT3134	MINNM	472299	JT3134	MINNM	472299	JV550	VIC
JT367	MINNM	417316!	JT367	MINNM	417316!	JV552	VIC
JT467A	MINNM	415995!	JT467A	MINNM	415995!	JV552	VIC
JT885	MINNM	417267	JT885	MINNM	417267	JV552	VICRL
JT885A	MINNM	472354!	JT885A	MINNM	472354!	JV553	VIC
JV-1055	VIC	710233	JV-1055	VIC	710233	JV553	VIC
JV1000	VIC	TCS45635	JV1000	VIC	TCS45635	JV553	VIC
JV1002	VIC	TCS45639-2	JV1002	VIC	TCS45639-2	JV553	VIC
JV1004	VIC	TCS45635	JV1004	VIC	TCS45635	JV553	VICRL
JV1006	VIC	TCS45635	JV1006	VIC	TCS45635	JV556	VICRL
JV1007	VIC	224250	JV1007	VIC	224250	JV557	VIC
JV1015	VIC	225020	JV1015	VIC	225020	JV563	VIC
JV1023	VIC	224250	JV1023	VIC	224250	JV565	VIC
JV1025	VIC	223220	JV1025	VIC	223220	JV567	VIC
JV1036	VIC	224460	JV1036	VIC	224460	JV568	VIC
JV1044	VIC	223012	JV1044	VIC	223012	JV569	VIC
JV1054	VIC	1181	JV1054	VIC	1181	JV595	VIC
JV1059	VIC	710332	JV1059	VIC	710332	JV596	VIC
JV1059	VIC	TCS45719	JV1059	VIC	TCS45719	JV600	VIC
JV1062	VIC	710056	JV1062	VIC	710056	JV602	VIC
JV1071	VIC	TCS45689	JV1071	VIC	TCS45689	JV603	VIC
JV1072	VIC	224460	JV1072	VIC	224460	JV605	VIC
JV1080	VIC	TCS45718	JV1080	VIC	TCS45718	JV606	VIC
JV1102	VIC	TCS45914	JV1102	VIC	TCS45914	JV606	VICRL
JV1106	VIC	TCS45884	JV1106	VIC	TCS45884	JV607	VIC
JV1106	VIC	TCS45968	JV1106	VIC			

OIL SEALS

JV614 – K321298RA

Mfr. No.	Name	Zero Duplication or Recommended Industrial	Mfr. No.	Name	Zero Duplication or Recommended Industrial	Mfr. No.	Name	Zero Duplication or Recommended Industrial	Mfr. No.	Name	Zero Duplication or Recommended Industrial
JV614	VICRL	82005	JV878	VIC	321460	K12011AS	Y-T	470334!	K2900	AVCO	40360S!
JV615	VIC	473573	JV883	VIC	9845	K12011AT	Y-T	470334!	K2922CA	SPG	710046
JV617	VIC	473573	JV907	VIC	227550	K12011AU	Y-T	470334!	K2922S	SPG	710046
JV617	VIC	5750	JV907	VIC	75X100X12!	K12011AV	Y-T	473447	K2942RRR	SPG	350936
JV617	VICRL	82027	JV910	VIC	224520	K12011AW	Y-T	470334!	K2955RXO	SPG	2955
JV618	VIC	5117	JV910	VIC	45X60X10!	K12011AW	Y-T	50289	K300	PORTR	455197N
JV618	VIC	5118	JV914	VIC	3771	K12011AX	Y-T	473447	K3008	CASE	6575S
JV618	VICRL	82015	JV941	VIC	224460	K12011AZ	Y-T	473462	K301	PORTR	415351!
JV619	VIC	3698	JV942	VIC	224460	K12011BA	Y-T	472394	K3028R	SPG	473179
JV624	VIC	17720	JV943	VIC	224835	K12011BB	Y-T	472924!	K3028RER	SPG	473179
JV626	VIC	1945	JV944	VIC	224460	K12011BD	Y-T	470530!	K3028RXR	SPG	473179
JV626	VIC	228480	JV945	VIC	224835	K12011BG	Y-T	472409!	K3028V	SPG	473179
JV627	VIC	228020	JV954	VIC	TCS45472	K12011BK	Y-T	455321	K3028VG2	SPG	417360
JV627	VIC	80X105X13!	JV954	VIC	TCS45483	K12011BL	Y-T	471272!	K305	PORTR	416892!
JV628	VIC	226020	JV956	VIC	710331	K12011BM	Y-T	411253!	K30622	VIC	35224
JV628	VIC	60X80X8!	JV962	VIC	224250	K12011BN	Y-T	472029	K3083HN	SPG	3083
JV629	VIC	227040	JV982	VIC	3476	K12011BQ	Y-T	413248	K3103VXR	SPG	713103
JV629	VIC	70X90X10!	JV983	VIC	3476	K12011BR	Y-T	415458!	K31111	VIC	35418
JV629	VIC	BS25035	JV984	VIC	1108	K12011BS	Y-T	417082	K32003	ROSS	5458\$
JV634	VIC	227550	JV993	VIC	3459	K12011BU	Y-T	416921!	K320249VA	SPG	320249
JV634	VIC	75X100X12!	JV994	VIC	224460	K12011BV	Y-T	416921!	K320249VA1	SPG	320249
JV636	VIC	BS16192	JV998	VIC	224250	K12011BW	Y-T	416921!	K320259VD	SPG	320259
JV637	VIC	5591	JVE753	SPG	JV753	K12011C	Y-T	471553!	K3202615	KY-CL	471554!
JV638	VIC	5112	JX1966+3501V	SPG	5666	K12011CB	Y-T	415027!	K320612RA	SPG	224025
JV638	VIC	5112S	K-100111VA	SPG	4564V	K12011CB	Y-T	415027	K320676RA	SPG	710345
JV638	VICRL	82024	K-4562-VA1	SPG	4562V	K12011G	Y-T	481568!	K320750VD	SPG	223420
JV640	VIC	224520	K-474241-V	SPG	474241V!	K12011H	Y-T	471231!	K320753R	SPG	223340
JV640	VIC	45X60X10!	K-977122TD	SPG	977122	K12011J	Y-T	481443!	K320759RA	SPG	712001
JV642	VIC	BS40382	K-997100TD	SPG	997100	K12011M	Y-T	481650	K32077	WHITE	323138!
JV643	VIC	716102	K003896BXR	SPG	3896	K12011N	Y-T	481650	K320802R	SPG	224020
JV644	VIC	228480	K100044CA	SPG	2007N	K12011R	Y-T	480210!	K320802RA	SPG	224020
JV648	VIC	BS1280	K100058TX	SPG	100058	K12011S	Y-T	471651	K320840RA	SPG	222025
JV650	VIC	5419	K100110VA	SPG	4563V	K12011V	Y-T	471765!	K320910RA	SPG	225020
JV650	VIC	BS5048	K100129R	SPG	712692	K12011Y	Y-T	471354!	K320910RA1	SPG	225020
JV656	VIC	BS1280	K100252TD	SPG	100252	K1256	PUL	412119!	K320910VD	SPG	225020
JV658	VIC	BS5974	K100253TD	SPG	100253	K13006	ROSS	471652	K320917RA	SPG	223014
JV663	VIC	BS1280	K100270TX	SPG	100270	K134-171	KEN	733111	K321152HA	SPG	1108
JV664	VIC	5585	K100294TD	SPG	100294	K1364	PUL	471554!	K321155RA	SPG	223750
JV677	VIC	BS5974	K100296TD	SPG	100296	K1381	ROSS	472287!	K321155VD	SPG	223750
JV683	VIC	5596=	K100348TD	SPG	100467	K13810	ROSS	472287!	K321155VD	SPG	321155
JV687	VIC	5585	K100352TD	SPG	100352	K1443	OLIVE	416921!	K321157	SPG	224460
JV688	VIC	BS5155	K100369VD	SPG	100369	K1447	FULLE	OK1000	K321157VD	SPG	321157
JV690	VIC	5479	K100447VA8	SPG	4278	K1450	FULLE	OK1000	K321158R	SPG	223012
JV692	VIC	BS5974	K100459TX	SPG	100459T	K14669	ROSS	471649!	K321165R	SPG	224650
JV698	VIC	BS5974	K100467TD	SPG	100467	K154	MINNM	472572!	K321165RA	SPG	224650
JV699	VIC	5072	K100497VA8	SPG	100497V	K1582	OLIVE	323138!	K321204V	SPG	223420
JV705	VIC	5072	K100497VA8	SPG	710452	K1588	OLIVE	410496!	K321204VG	SPG	223420
JV706	VIC	5092	K100664SSR	SPG	9599S	K1590	OLIVE	473436	K321208	SPG	321460
JV707	VIC	5390	K100672V	SPG	350936	K1590	WHITE	473436	K321212RA	SPG	321212
JV707P	VIC	5390	K100686VXR	SPG	4189H	K1622	AVCO	200354	K321212RA	SPG	710316
JV708	VICRL	82022	K100721R	SPG	1940	K1660	AVCO	471354!	K321214V	SPG	710164
JV710	VIC	5095	K100721RA	SPG	1940	K1715	AVCO	350909	K321220RA	SPG	222020
JV712	VIC	5576	K100733VD	SPG	710210	K1715	AVCO	471224!	K321220RA	SPG	710450
JV719	VIC	5591	K1110 OLIVE	415995!	K2002	FULLE	OK1000	K321229	SPG	712010	
JV728	VIC	5337	K11223B	Y-T	450400	K2205RA	SPG	2205	K321236RA	SPG	1987
JV730	VIC	5095	K12001D	Y-T	470954!	K2262	OLIVE	411	K321238RA	SPG	710318
JV730	VICRL	82003	K12011AA	Y-T	471750!	K2279H	SPG	415449	K321240RA	SPG	1038
JV730P	VIC	5116	K12011AD	Y-T	470774!	K229	PORTR	416345!	K321244RA	SPG	1953
JV730R	VIC	5108	K12011AE	Y-T	470950!	K229	PORTR	455033	K321250RA	SPG	710310
JV732	VIC	BS1280	K12011AE	Y-T	6241S	K2375	PUL	470530!	K321250V	SPG	710310
JV741	VIC	5095	K12011AF	Y-T	473215!	K24004	ROSS	240356	K321251HA	SPG	223602
JV742	VIC	5591	K12011AG	Y-T	470625!	K2530	AVCO	471224!	K321251RA	SPG	710308
JV743	VIC	5111	K12011AH	Y-T	470625!	K2532	AVCO	473232	K321266R	SPG	221710
JV743	VIC	5111S	K12011AJ	Y-T	470059	K2658HXO	SPG	2658	K321266RA	SPG	221710
JV743	VICRL	82017	K12011AJ	Y-T	470380!	K2692RXR	SPG	350936	K321273R	SPG	221820
JV745	VIC	5591	K12011AK	Y-T	471820	K2693P	CASE	6833=	K321273RA	SPG	221820
JV749	VIC	5095	K12011AL	Y-T	470059	K2757R	SPG	2757N	K321282R	SPG	223831
JV821	VIC	5587	K12011AL	Y-T	470380!	K2757RA	SPG	2757N	K321282RA	SPG	223831
JV844	VIC	5587	K12011AM	Y-T	474281!	K2757RRR	SPG	710006	K321287RA	SPG	712001*
JV860	VIC	5587	K12011AN	Y-T	472213	K2765P	CASE	80313	K321293RA	SPG	223220
JV861	VIC	5587	K12011AP	Y-T	474281!	K2780P	CASE	200854	K321295RA	SPG	224020
JV870	VIC	472341!	K12011AR	Y-T	472185!	K2789P	CASE	200854	K321298RA	SPG	223802

! Industrial Size/Type * Minor Width Difference \$F-M Number Is Part Of A Kit
 = The U.S. customer service number is 877-4-TIMKEN. The Canadian customer service numbers are 800-565-4927 (English) and 800-565-0438 (French-Canadian).

ALPHABETICAL INTERCHANGE

Zero Duplication or Recommended Industrial		Zero Duplication or Recommended Industrial		Zero Duplication or Recommended Industrial		Zero Duplication or Recommended Industrial						
Mfr. No.	Name	Mfr. No.	Name	Mfr. No.	Name	Mfr. No.	Name					
K321299R	SPG	223800	K4538 AVCO	40520S	K565 PORTR	455146!	K8169240AA6	GE	481073			
K321299RA	SPG	223800	K4543VA1	SPG	476470	K566 BUTBN	415995!	K8169240AA7	GE	470954!		
K32129SRA	SPG	224020	K4544VA1	SPG	4544V	K5856 PUL	481864	K8169240AA8	GE	474277		
K321306H	SPG	712007	K4582 AVCO	473445	K588 TLSMI	418028	K588 TLSMI	418028	K8169240AB1	GE	471766!	
K321306HA	SPG	712007	K4583 AVCO	473235!	K588 TLSMI	455137!	K588 TLSMI	455137!	K8169240AD3	GE	340413	
K321313R	SPG	223010	K4598RE0	SPG	4598	K5950 FORD	471820	K5950 FORD	471820	K8169240AD4	GE	330385
K321313RA	SPG	223010	K4598RER	SPG	4598	K600001	SPG	5728	K600001	SPG	5728	
K321364R	SPG	710187	K46	TMTR	204002	K600015	SPG	901017	K600015	SPG	901017	
K321364RA	SPG	710187	K4635HX0	SPG	4635H	K600053	SPG	39887	K600053	SPG	39887	
K321378R	SPG	321378	K4655 AVCO	471344	K600081	SPG	921633	K600081	SPG	921633		
K321378RA	SPG	710233	K4655RER	SPG	714655	K600156	SPG	901558	K600156	SPG	901558	
K321380R	SPG	321380	K4661 AVCO	42352S	K600169	SPG	417433	K600169	SPG	417433		
K321380RA	SPG	223230	K470676RAR	SPG	710345	K600211	SPG	600211	K600211	SPG	600211	
K321382R	SPG	226510	K471113VJ	SPG	471113V	K600254	SPG	39890	K600254	SPG	39890	
K321382RA	SPG	226510	K471113VJR	SPG	471113V	K600278	SPG	39900	K600278	SPG	39900	
K321383RA	SPG	710236	K471188RAR	SPG	472492	K600300	SPG	907104	K600300	SPG	907104	
K321416R	SPG	1205N	K471225RAR	SPG	710263	K600308	SPG	600308	K600308	SPG	600308	
K321416R	SPG	321416	K4727	CASE	200880=	K600330	SPG	417433	K600330	SPG	417433	
K321416RA	SPG	321416	K475937HGO	SPG	415937	K600343	SPG	41163T	K600343	SPG	41163T	
K321421H	SPG	1172	K4813VDR	SPG	4813V	K600374	SPG	907190	K600374	SPG	907190	
K321421HA	SPG	1172	K482	TLSMI	55155=	K600376	SPG	39869	K600376	SPG	39869	
K321430R	SPG	710355	K4846VA8	SPG	3604	K600377	SPG	39869	K600377	SPG	39869	
K321430RA	SPG	710355	K4846VA8	SPG	4846	K600382	SPG	39869	K600382	SPG	39869	
K321433VD	SPG	710399	K487397VGR	SPG	487397V	K600386	SPG	907190	K600386	SPG	907190	
K3227RXR	SPG	3227	K4942R	SPG	4072N	K600399	SPG	600399	K600399	SPG	600399	
K3229664	KY-CL	417486	K4942RER	SPG	4072N	K600403	SPG	5734	K600403	SPG	5734	
K323324VG	SPG	3476V	K4950RER	SPG	4950	K600414	SPG	416404	K600414	SPG	416404	
K324115R	SPG	223235	K501	PORTR	415645!	K600428	SPG	710926	K600428	SPG	710926	
K324115RA	SPG	223235	K501	PORTR	455104	K600454	SPG	600454	K600454	SPG	600454	
K324151R	SPG	710316	K5010	AVCO	471413	K600L-200	CONTI	412119!	K600L-200	CONTI	412119!	
K324186H	SPG	710190	K502	PORTR	416865!	K620	MASSE	472439	K620	MASSE	472439	
K324186HA	SPG	710190	K503	TLSMI	473466	K620	OLIVE	472439	K620	OLIVE	472439	
K324204VX	SPG	324204	K504	PORTR	416892!	K620	WHITE	472439	K620	WHITE	472439	
K325408R	SPG	227410	K5045	CASE	471224	K623448S	CASE	470898	K623448S	CASE	470898	
K3273	AVCO	470625!	K506	PORTR	416888!	K623450	CASE	472015!	K623450	CASE	472015!	
K327820HA	SPG	228015	K507	PORTR	455311	K6700846	KY-CL	471567!	K6700846	KY-CL	471567!	
K3325179	KY-CL	415937!	K5108219	KY-CL	205017	K674	TLSMI	472560N!	K674	TLSMI	472560N!	
K3365	AVCO	203006!	K511	PORTR	415035	K679	BUTBN	415023	K679	BUTBN	415023	
K3382	AVCO	417509	K511	PORTR	415035!	K682	BUTBN	470950!	K682	BUTBN	470950!	
K3385	AVCO	470088	K5114335	KY-CL	415284	K682	BUTBN	6241S	K682	BUTBN	6241S	
K3487	AVCO	471689!	K5115454	KY-CL	417344	K687	BUTBN	472258!	K687	BUTBN	472258!	
K3489	AVCO	471413	K5116224	KY-CL	473454	K693	OLIVE	455079!	K693	OLIVE	455079!	
K3517SSO	SPG	9845	K5116229A	KOHL	415035=	K693	PORTR	415090	K693	PORTR	415090	
K3517VXR	SPG	9845V	K5117983	KY-CL	470954!	K694	PORTR	455290	K694	PORTR	455290	
K3557	AVCO	471787	K5131329	KY-CL	470625!	K694	TEXAS	455290	K694	TEXAS	455290	
K3600	FORD	200354	K5134336	KOHL	482253=	K706165	WILYS	416738!	K706165	WILYS	416738!	
K36060	OLIVE	205004	K5134924	KY-CL	482069N	K706165	WILYS	450096	K706165	WILYS	450096	
K3700BXR	SPG	7044NA	K515	PORTR	416229	K734504	WILYS	410059	K734504	WILYS	410059	
K3727RB	SPG	1963	K5153373	KY-CL	417344!	K734504	WILYS	470380!	K734504	WILYS	470380!	
K3732BXR	SPG	3732S	K5154314	KY-CL	416271!	K735996	WILYS	472560N	K735996	WILYS	472560N	
K37498K	JOHND	471413	K516	PORTR	416107!	K769	PUL	476838!	K769	PUL	476838!	
K3891	AVCO	472164!	K516	PORTR	455073	K7931	CASE	6590S	K7931	CASE	6590S	
K3892	AVCO	471192	K5161028	KY-CL	471501!	K801077TD	SPG	801077	K801077TD	SPG	801077	
K3990RA	SPG	1990	K517	PORTR	417602!	K8104558AB11	GE	470606!	K8104558AB11	GE	470606!	
K4026RX	SPG	4026	K517	TEXAS	417602!	K8104558AB3	GE	481073	K8104558AB3	GE	481073	
K4027RER	SPG	4072	K518	PORTR	415072	K8104558AB4	GE	474276!	K8104558AB4	GE	474276!	
K4027RER	SPG	4072N	K5192438	KY-CL	6370N	K8104558AB6	GE	471472!	K8104558AB6	GE	471472!	
K4048	AVCO	203008	K5192439	KY-CL	712	K8169240AA10	GE	471281!	K8169240AA10	GE	471281!	
K4072REK	SPG	4072	K5196927	KY-CL	75251S	K8169240AA11	GE	471103!	K8169240AA11	GE	471103!	
K4072REK	SPG	4072N	K5197860	KOHL	455251N	K8169240AA13	GE	471255!	K8169240AA13	GE	471255!	
K4074VJ0	SPG	3604	K521	PORTR	417596	K8169240AA14	GE	470590	K8169240AA14	GE	470590	
K415327V	SPG	415327	K521	TEXAS	417596	K8169240AA15	GE	50199S!	K8169240AA15	GE	50199S!	
K4278BX	SPG	4278	K522	TLSMI	473451!	K8169240AA15	GE	6863S!	K8169240AA15	GE	6863S!	
K4278BXR	SPG	4278	K5230007	KY-CL	471526!	K8169240AA16	GE	471255!	K8169240AA16	GE	471255!	
K4278VJ0	SPG	4278	K5255	CASE	455019!	K8169240AA17	GE	471224!	K8169240AA17	GE	471224!	
K4279	AVCO	450492	K5312	CASE	JV1019=	K8169240AA18	GE	471554!	K8169240AA18	GE	471554!	
K43	CASE	204002	K5318	CASE	200875=	K8169240AA19	GE	471472!	K8169240AA19	GE	471472!	
K4337	CASE	471264!	K5347	CASE	200878=	K8169240AA2	GE	481537	K8169240AA2	GE	481537	
K435	TLSMI	415458!	K5348	CASE	JV1060=	K8169240AA20	GE	350435	K8169240AA20	GE	350435	
K4445	AVCO	473231!	K5511	SPG	5732	K8169240AA21	GE	320457	K8169240AA21	GE	320457	
K4458VA0	SPG	472324	K5513	SPG	39804	K8169240AA3	GE	330385!	K8169240AA3	GE	330385!	
K4529RER	SPG	4529N	K565	PORTR	415991	K8169240AA5	GE	471539!	K8169240AA5	GE	471539!	

! Industrial Size/Type

= The U.S. customer service number is 877-4-TIMKEN. The Canadian customer service numbers are 800-565-4927 (English) and 800-565-0438 (French-Canadian).

OIL SEALS

K9L8340 – L0090003

Mfr. No.	Name	Zero Duplication or Recommended Industrial	Mfr. No.	Name	Zero Duplication or Recommended Industrial	Mfr. No.	Name	Zero Duplication or Recommended Industrial	Mfr. No.	Name	Zero Duplication or Recommended Industrial
K9L8340	CATER	415725!	L-0026-023	IAPCO	1939	L0010007	IAPCO	1012	L0046004	IAPCO	45X60X10!
K9L8341	CATER	473474	L-0029-001	IAPCO	239127	L0010007	IAPCO	1012N	L0046006	IAPCO	1187
K9L8483	CATER	416167=	L-0029-002	IAPCO	239128	L0010007	IAPCO	45X62X8!	L0046006	IAPCO	47X68X10!
KA1261	KELSE	417172	L-0029-008	IAPCO	239127	L0010012	IAPCO	226020	L0046009	IAPCO	1174
KA62338	VICK	240731	L-0034-002	IAPCO	473812	L0010012	IAPCO	60X80X8!	L0046009	IAPCO	38X52X8.5!
KAA09102001	KELSE	413247!	L-0038-010	IAPCO	205015	L0010013	IAPCO	224820	L0046010	IAPCO	225020
KAA13269	JOHND	471224!	L-0038-011	IAPCO	473823	L0010013	IAPCO	48X62X8!	L0046010	IAPCO	50X68X8!
KC4609	KOEHL	415138!	L-0038-013	IAPCO	42X55X8!	L0016003	IAPCO	1955	L0046011	IAPCO	1945
KD3665P	CASE	450456!	L-0040-010	IAPCO	1996	L0016003	IAPCO	52X65X9!	L0046011	IAPCO	228480
KE406	MINNM	473236!	L-0040-018	IAPCO	1996	L0016012	IAPCO	224255	L0048007	IAPCO	224045
KE532	WHITE	470954!	L-0048-001	IAPCO	55X72X8!	L0016012	IAPCO	42X65X10!	L0048007	IAPCO	40X62X12!
KE7237	PUL	417344!	L-0054-003	IAPCO	1960	L0016014	IAPCO	225010	L0048008	IAPCO	224252
KK5548R	SPG	6312	L-0054-005	IAPCO	239145	L0016014	IAPCO	50X65X8!	L0048008	IAPCO	42X62X8!
KM552	KY-CL	415449!	L-0054-015	IAPCO	239144	L0016015	IAPCO	225110	L0054008	IAPCO	224835
KO1	ATP	331107N	L-0058-003	IAPCO	1984	L0016015	IAPCO	51X65X7!	L0054008	IAPCO	48X68X10!
KO3	ATP	7692S	L-0058-015	IAPCO	224015	L0017004	IAPCO	1994	L0058007	IAPCO	225230
KT260A	MINNM	472179	L-0061-001	IAPCO	224015	L0017004	IAPCO	48X70X9!	L0058007	IAPCO	52X72X8!
KT308A	MINNM	50191	L-0061-004	IAPCO	227045	L0017007	IAPCO	228020	L0058008	IAPCO	225420
KT308B	MINNM	50191	L-0061-005	IAPCO	1950	L0017007	IAPCO	80X105X13!	L0058008	IAPCO	54X72X10!
KT365A	MINNM	473464	L-0061-013	IAPCO	228010	L0020007	IAPCO	35X50X8!	L0058009	IAPCO	1012
KT365A	MINNM	473464!	L-0061-018	IAPCO	1960	L0020007	IAPCO	3771	L0058009	IAPCO	1012N
KT458B	MINNM	476470	L-0061-019	IAPCO	1956	L0020011	IAPCO	224045	L0058010	IAPCO	225005
KT738	PAYEN	35127	L-0061-021	IAPCO	1959	L0020011	IAPCO	40X62X12!	L0058010	IAPCO	50X62X7!
KX25261	JOHND	417487	L-0061-022	IAPCO	1959	L0020012	IAPCO	1181	L0061002	IAPCO	1180
L-0001-003	IAPCO	1195	L-0061-025	IAPCO	1177	L0020012	IAPCO	41X56X7!	L0061002	IAPCO	41X55X7!
L-0004-005	IAPCO	228480	L-0061-031	IAPCO	1987	L0020013	IAPCO	1994	L0061006	IAPCO	1955
L-0006-005	IAPCO	716484	L-0062-003	IAPCO	473454	L0020013	IAPCO	48X70X9!	L0061006	IAPCO	52X65X9!
L-0010-005	IAPCO	224520	L-0062-013	IAPCO	35X47X7	L0020014	IAPCO	1994	L0061007	IAPCO	223840
L-0010-008	IAPCO	229005	L-0062-014	IAPCO	473573	L0020014	IAPCO	48X70X9!	L0061007	IAPCO	38X58X8!
L-0011-003	IAPCO	3677	L-0062-018	IAPCO	1192	L0020018	IAPCO	223555	L0061008	IAPCO	223840
L-0013-007	IAPCO	1192	L-0062-021	IAPCO	473234!	L0020018	IAPCO	35X64X8!	L0061008	IAPCO	38X58X8!
L-0016-001	IAPCO	1196	L-0062-022	IAPCO	472397!	L0020021	IAPCO	224045	L0061009	IAPCO	227550
L-0016-002	IAPCO	494122	L-0062-023	IAPCO	471870!	L0020021	IAPCO	40X62X12!	L0061009	IAPCO	75X100X12!
L-0016-004	IAPCO	473237!	L-0062-025	IAPCO	471224!	L0020023	IAPCO	1174	L0061010	IAPCO	224560
L-0016-006	IAPCO	473237!	L-0062-026	IAPCO	472439	L0020023	IAPCO	38X52X8.5!	L0061010	IAPCO	45X68X7!
L-0016-010	IAPCO	473258	L-0062-028	IAPCO	480630!	L0020036	IAPCO	224270	L0061012	IAPCO	224820
L-0016-011	IAPCO	473258	L-0062-030	IAPCO	223535	L0020036	IAPCO	42X72X10!	L0061012	IAPCO	48X62X8!
L-0016-016	IAPCO	474134	L-0065-006	IAPCO	1217	L0020039	IAPCO	223542	L0061015	IAPCO	225230
L-0017-001	IAPCO	1992	L-0065-007	IAPCO	1165	L0020039	IAPCO	35X55X11!	L0061015	IAPCO	52X72X8!
L-0017-003	IAPCO	473823	L-0065-008	IAPCO	473455!	L0020040	IAPCO	1973	L0061016	IAPCO	224820
L-0017-005	IAPCO	1992	L-0065-009	IAPCO	1209	L0020040	IAPCO	48X65X10!	L0061016	IAPCO	48X62X8!
L-0017-008	IAPCO	5108	L-0066-007	IAPCO	473238!	L0026010	IAPCO	1953	L0061027	IAPCO	226285
L-0020-001	IAPCO	1188	L-0066-016	IAPCO	473238!	L0026010	IAPCO	42X60X7!	L0061027	IAPCO	62X85X8!
L-0020-006	IAPCO	1188	L-0070-001	IAPCO	471192	L0038001	IAPCO	1213N	L0061029	IAPCO	223605
L-0020-008	IAPCO	3771	L-0070-002	IAPCO	472164!	L0038002	IAPCO	1214	L0061029	IAPCO	36X50X7!
L-0020-010	IAPCO	1979	L-0070-003	IAPCO	1873	L0038002	IAPCO	1214N	L0061030	IAPCO	225110
L-0020-015	IAPCO	228010	L-0070-008	IAPCO	473241	L0038003	IAPCO	1994	L0061030	IAPCO	51X65X7!
L-0020-017	IAPCO	1188	L-0070-013	IAPCO	473228	L0038003	IAPCO	48X70X9!	L0061032	IAPCO	223235
L-0020-022	IAPCO	1981	L-0070-021	IAPCO	473234!	L0038004	IAPCO	228020	L0061032	IAPCO	32X46X6!
L-0020-029	IAPCO	32X58X8!	L-0071-003	IAPCO	228010	L0038004	IAPCO	80X105X13!	L0061033	IAPCO	224560
L-0020-031	IAPCO	2016	L-0071-005	IAPCO	75X95X10	L0038006	IAPCO	227020	L0061033	IAPCO	45X68X7!
L-0020-033	IAPCO	1128	L-0071-006	IAPCO	3771	L0038006	IAPCO	70X88X8!	L0062031	IAPCO	224255
L-0020-038	IAPCO	1977	L-0080-002	IAPCO	1165	L0038007	IAPCO	1953	L0062031	IAPCO	42X65X10!
L-0020-041	IAPCO	1974	L-0080-003	IAPCO	3476	L0038007	IAPCO	42X60X7!	L0065005	IAPCO	224045
L-0020-043	IAPCO	712011	L-0080-004	IAPCO	716102	L0038009	IAPCO	224820	L0065005	IAPCO	40X62X12!
L-0020-044	IAPCO	1884	L-0080-007	IAPCO	1962	L0038009	IAPCO	48X62X8!	L0065011	IAPCO	1208
L-0020-045	IAPCO	2002	L-0080-010	IAPCO	710205	L0038012	IAPCO	1994	L0065011	IAPCO	48X72X7!
L-0020-048	IAPCO	225540	L-0080-011	IAPCO	1108	L0038012	IAPCO	48X70X9!	L0066001	IAPCO	224045
L-0020-049	IAPCO	334111	L-0090-002	IAPCO	473179!	L0040005	IAPCO	1012	L0066001	IAPCO	40X62X12!
L-0020-050	IAPCO	222540	L-4561-VA1	SPG	4561V	L0040005	IAPCO	1012N	L0066014	IAPCO	224015
L-0020-051	IAPCO	224025	L-4810-VA1	SPG	714810	L0040005	IAPCO	45X62X8!	L0066014	IAPCO	40X52X7!
L-0022-003	IAPCO	223014	L0001002	IAPCO	227040	L0040019	IAPCO	224045	L0070007	IAPCO	224820
L-0022-006	IAPCO	223035	L0001002	IAPCO	70X90X10!	L0040019	IAPCO	40X62X12!	L0070007	IAPCO	48X62X8!
L-0022-013	IAPCO	473230!	L0004001	IAPCO	224100	L0040023	IAPCO	224045	L0070029	IAPCO	1174
L-0022-019	IAPCO	64X80X8	L0004001	IAPCO	40X65X10!	L0040023	IAPCO	40X62X12!	L0070029	IAPCO	38X52X8.5!
L-0026-008	IAPCO	1952	L0010001	IAPCO	224015	L0040024	IAPCO	1992	L0071001	IAPCO	224820
L-0026-011	IAPCO	473367	L0010001	IAPCO	40X52X7!	L0040024	IAPCO	45X65X8!	L0071001	IAPCO	40X52X7!
L-0026-012	IAPCO	3771	L0010002	IAPCO	1174	L0046001	IAPCO	1174	L0071004	IAPCO	224520
L-0026-014	IAPCO	1990	L0010002	IAPCO	38X52X8.5!	L0046001	IAPCO	38X52X8.5!	L0071004	IAPCO	45X60X10!
L-0026-016	IAPCO	494117	L0010003	IAPCO	1012	L0046002	IAPCO	1174	L0080005	IAPCO	1012
L-0026-021	IAPCO	1938	L0010003	IAPCO	1012N	L0046002	IAPCO	38X52X8.5!	L0080005	IAPCO	1012N
L-0026-022	IAPCO	1943	L0010003	IAPCO	45X62X8!	L0046004	IAPCO	224520	L0090003	IAPCO	1945

ALPHABETICAL INTERCHANGE

! Industrial Size/Type

= The U.S. customer service number is 877-4-TIMKEN. The Canadian customer service numbers are 800-565-4927 (English) and 800-565-0438 (French-Canadian).

Mfr. No.	Name	Zero Duplication or Recommended Industrial	Mfr. No.	Name	Zero Duplication or Recommended Industrial	Mfr. No.	Name	Zero Duplication or Recommended Industrial	Mfr. No.	Name	Zero Duplication or Recommended Industrial
L0090003	IAPCO	228480	L1419	JOHND	472826!	L2029CU	JOHND	4148	L321365VD	SPG	1120
L0090004	IAPCO	225020	L142	LETN	415066	L2029CU	JOHND	471424!	L3238	FWD	481864
L0090004	IAPCO	50X68X8!	L1420	JOHND	471764!	L2031	CONTI	471554!	L323840H	SPG	710329
L1	LETN	415072	L1421	JOHND	450065	L21096	PETTI	473243	L325400V	SPG	325400V
L10	LETN	55028	L144	LETN	417604	L2171	PETTI	415645!	L325426HA	SPG	710060
L100052TD	SPG	100052T	L1443	OLIVE	472016	L2171	PETTI	455104	L325429H	SPG	1019
L100052TX	SPG	5279	L147	AVCO	456105	L21711	PETTI	472179	L325429HA	SPG	1019
L100052TX0	SPG	5279	L147	LETN	415302	L21712	PETTI	470898!	L325588VD	SPG	710237
L100065R	SPG	4583	L148	LETN	474253	L21715	PETTI	472397!	L325635VG	SPG	325635V
L100065RER	SPG	4583	L149	AVCO	456105	L21717	PETTI	470625!	L325635VG	SPG	716102
L100079R	SPG	2457	L15	LETN	416892!	L21720	PETTI	472164!	L325641HA0	SPG	228700
L100085TX	SPG	100085	L150	LETN	472144!	L21726	PETTI	472924!	L325641VD0	SPG	228700
L100086VJ	SPG	100086	L151	LETN	415021	L2175S	SPG	2175	L325649HA	SPG	3698
L100086VJR	SPG	100086	L153	LETN	412119!	L2178	PETTI	472636!	L325662VD	SPG	3698
L100095TD	SPG	5273	L154	LETN	417556	L2194RA	SPG	7692S	L325662VDO	SPG	3698
L100100VJ0	SPG	4764	L1544C	JOHND	472439	L2194RX	SPG	2194	L325662VDO	SPG	3698
L100100VJR	SPG	4764	L155	LETN	473461!	L2194RX8	SPG	2194	L325663VD	SPG	2377
L100189VJ	SPG	100189	L156	LETN	411253!	L2194RXR	SPG	2194	L325691H	SPG	229006
L100200VJ	SPG	4764	L157	LETN	471554!	L22	LETN	415938	L325691HA	SPG	229006
L100202TD	SPG	5273	L158	LETN	471466!	L2202N	JOHND	472157!	L325694HA0	SPG	228009
L100203TD	SPG	5274	L1586C	JOHND	240414	L2202N	JOHND	472157	L3257	HU-WR	471224!
L100204TD	SPG	5277	L159	LETN	415058	L2234C	JOHND	471267!	L325707H	SPG	710056
L100205TD	SPG	5278	L16	LETN	415138!	L2261V	SPG	2261	L325707HA	SPG	710056
L100239TD	SPG	5287	L160	LETN	473462	L2297V	SPG	2297	L325749VD	SPG	228010*
L100254TD	SPG	100254	L161	LETN	472924!	L2297V	SPG	2297V!	L325749VD	SPG	325749V
L100266VA	SPG	417484	L162	LETN	240027=	L2326BN1	SPG	2326N	L327820HA	SPG	228009
L100328TD0	SPG	471192	L1624	LETN	415001!	L2326RH	SPG	2326=	L327995VX	SPG	327995
L100468TD	SPG	600305	L16243	LETN	415001!	L23645	PETTI	6270	L327995VX	SPG	4307V
L100607VD	SPG	3909	L1625	LETN	473464!	L24	LETN	416738!	L328050V	SPG	228005
L100658HA	SPG	228480	L1625	LETN	473464	L24	LETN	450096	L328051R	SPG	710060
L100729VD1	SPG	100729V	L1636C	JOHND	254287!	L2465RER	SPG	2465	L328052V	SPG	710075
L10190	MWKEL	473367	L1638C	JOHND	471224	L2465RRR	SPG	2465	L328053V	SPG	710232
L10190	MWKEL	473367!	L1639	LETN	416921!	L25	LETN	474265	L328054V	SPG	227235
L10191	MWKEL	473313	L164	LETN	415058	L2551BT	SPG	2551	L328059VD0	SPG	40375
L102	ITM	1110	L1648	LETN	412119!	L26	LETN	416107!	L33034	CASE	416070
L1025	TLSMI	450133	L16483	LETN	412119!	L26	LETN	455073	L33070	CASE	415458!
L103	LETN	55028	L165	LETN	473214	L27	LETN	416476!	L3312	LETN	417498
L1032	TLSMI	473460	L1650	LETN	416229	L2776	LETN	416891!	L331210VG0	SPG	331210V
L1091	TLSMI	55030	L1661A	LETN	455310	L28	LETN	416229	L33259	CASE	416125!
L10963	PETTI	415995!	L167	LETN	473467	L2854RA	SPG	2854	L33282	CASE	473473
L1110	OLIVE	416271!	L1692	JOHND	473421	L2854RA4	SPG	2854	L33535	CASE	416795N=
L1139	TLSMI	470898	L170011	PETTI	473243	L2867VA	SPG	2867V=	L34	LETN	417546!
L11783	PETTI	417554!	L170012	PETTI	471692!	L287	LETN	415196!	L34033	CASE	471341
L118973	CASE	411376!	L170015	PETTI	450143	L2872	LETN	415196!	L3411N	JOHND	471407
L118978	CASE	416288!	L170016	PETTI	473460	L2873	LETN	415196!	L3418	LETN	415034!
L1193N	JOHND	471785!	L170019	PETTI	473245!	L29	LETN	416239!	L35	LETN	416865!
L1223	TLSMI	55199=	L17002	PETTI	472394	L3	LETN	471766!	L350589VD	SPG	473573
L1252	LEROI	416288!	L170025	PETTI	412027	L30	LETN	474265	L350589VG	SPG	473573
L1253	LEROI	55242	L17004	PETTI	412119!	L30014	CASE	470898	L35226	CASE	415196=
L126168	CASE	416288!	L17005	PETTI	471272!	L304	LETN	416666	L35250	CASE	413248
L126168	CASE	456287=	L17007	PETTI	416888!	L30489	CASE	473459	L3541X	MASSE	472185!
L126169	CASE	411376!	L17008	PETTI	415294!	L30578	CASE	481336=	L355778R	SPG	227040
L128290	CASE	4766S=	L173	LETN	481650	L30659	CASE	8907	L355778RA	SPG	227040
L12830	GERL	472924!	L175	LETN	471231!	L31	LETN	471224!	L36	LETN	471649!
L1295	TLSMI	472560N!	L177	LETN	471785!	L31032	CASE	471554!	L3654VX	SPG	710056
L13	LETN	415021	L1787Q	FR-HT	240731	L31035	CASE	476424N	L3698VD	SPG	3698
L13199	GERL	455022	L18	LETN	417621!	L3197	LETN	415088	L370501	LETN	416229
L1326	LETN	415371	L180	LETN	473010!	L3197	LETN	415088!	L3725	LETN	473464
L133	LETN	415449!	L181	LETN	470334!	L32	LETN	455584	L3725	LETN	473464!
L1330	JOHND	472179	L182	LETN	417486	L320595HA	SPG	320595	L37255	LETN	473464
L1330C	JOHND	472179	L1823	JOHND	472492!	L320691VD	SPG	320691	L37255	LETN	473464!
L135	LETN	5865	L1823C	JOHND	474272	L320754R	SPG	222330	L3750	LETN	416229
L1354	LETN	5865	L183	LETN	417498	L320839VD	SPG	224205	L37502	LETN	416229
L1355	LETN	40389S	L19	LETN	472179	L321176H	SPG	710334	L38	LETN	415227!
L136	LETN	416332!	L193	LETN	415007	L321202HA	SPG	227045	L39	LETN	472287!
L137	LETN	472636!	L1949N	JOHND	472924!	L321209HA	SPG	222743	L3909VD	SPG	3909
L1391N	JOHND	240733	L196	LETN	471651	L321218HA	SPG	712008	L3953N	JOHND	471795
L14	LETN	415023	L197	LETN	416153!	L321241RA	SPG	228010	L3958	LETN	417020
L140	LETN	417343!	L198	LETN	417205!	L321278HA	SPG	710332	L4	LETN	415027!
L141	LETN	455151	L2	LETN	415124	L321283VD	SPG	710331	L4	LETN	415027
L1418	JOHND	471763	L20	LETN	472185!	L321312H	SPG	712009	L4003	LETN	415995!
L1419	JOHND	450129	L2015N	JOHND	471652	L321312HA	SPG	712009	L4040RA1	SPG	4040N

! Industrial Size/Type *Minor Width Difference

=The U.S. customer service number is 877-4-TIMKEN. The Canadian customer service numbers are 800-565-4927 (English) and 800-565-0438 (French-Canadian).

OIL SEALS

L415983RHR – L81-6736

Mfr. No.	Name	Zero Duplication or Recommended Industrial	Mfr. No.	Name	Zero Duplication or Recommended Industrial	Mfr. No.	Name	Zero Duplication or Recommended Industrial	Mfr. No.	Name	Zero Duplication or Recommended Industrial
L415983RHR	SPG	713750	L49-7640	LAZOR	223340	L497398	LAZOR	227550	L620	WHITE	473234!
L43	LETN	473229	L49-7649	LAZOR	1038	L497398	LAZOR	75X100X12!	L620B	OLIVE	471692!
L4307V	SPG	4307V!	L49-7657	LAZOR	1021V	L4973VJO	SPG	4765	L63	LETN	412861
L4333RAR	SPG	4333N	L49-7657	LAZOR	BS40265	L497401	LAZOR	228010	L64	LETN	471763
L4333RE0	SPG	4333N	L49-7665	LAZOR	1019	L498220	LAZOR	BS16192-1	L67	LETN	55222 =
L4359V	SPG	4359V	L49-7665	LAZOR	BS40387	L5	LETN	411376!	L69102	LETN	476470
L4370RAR	SPG	4370N	L49-7673	LAZOR	224025	L50	LETN	416476!	L69105	LETN	416345!
L44	LETN	470565!	L49-7681	LAZOR	710060	L51	LETN	471442!	L69105	LETN	455033
L4528RER	SPG	4528N	L49-7681	LAZOR	BS40449	L5162	SPG	4359V	L693	OLIVE	412943
L4530RER	SPG	4530	L49-7690	LAZOR	223235	L5188	GERL	472185!	L7	LETN	472397!
L4532RE	SPG	4532N	L49-7703	LAZOR	1987	L5259	LETN	416888!	L70	LETN	415988
L46024	LETN	415035!	L49-7738	LAZOR	713771	L5260	LETN	416239!	L71	LETN	415072
L46024	LETN	415035	L49-7754	LAZOR	227610	L5261	LETN	416107!	L73	LETN	471570!
L46025	LETN	476470	L49-7754	LAZOR	BS40268	L5261	LETN	455073	L7413R XR	SPG	9613S
L46048	LETN	415036	L49-7762	LAZOR	710060	L5262	LETN	470059	L75	LETN	473228
L46050	LETN	415090	L49-7770	LAZOR	227235	L5262	LETN	470380!	L76	LETN	473228
L4670RER	SPG	415449	L49-7789	LAZOR	228005	L5263	LETN	415090	L77	LETN	417487
L471378	LAZOR	35292	L49-7878	LAZOR	228005	L5264	LETN	417247!	L7735502	GMC	340872
L4741RER	SPG	4741	L49-7886	LAZOR	229006	L5272	SPG	600305	L78	LETN	471567!
L475	LETN	417273	L49-7932	LAZOR	222330	L5273	SPG	5273	L8	LETN	415991
L4764RAR	SPG	4764	L49-7975	LAZOR	221820	L5274	SPG	5274	L8	LETN	455146!
L4765RAR	SPG	4765	L49-8009	LAZOR	223220	L5277	SPG	5277	L80	LETN	417602!
L478L-316	CONTI	485725N	L49-8017	LAZOR	1217	L5278	SPG	5278	L801010TD	SPG	977105
L48	LETN	417538	L49-8025	LAZOR	228700	L5279	SPG	5279	L801018TD	SPG	5288
L481033	LAZOR	35316	L49-8041	LAZOR	222020	L5287	SPG	5287	L81-6000	LAZOR	223240
L481343	LAZOR	35315	L49-8050	LAZOR	223801!	L5291	SPG	5291	L81-6019	LAZOR	223014
L481378	LAZOR	35292	L49-8069	LAZOR	1953	L5492	LETN	415379!	L81-6027	LAZOR	223014
L481661	LAZOR	35292	L49-8165	LAZOR	710331	L5492	LETN	415379	L81-6035	LAZOR	2506
L482145	LAZOR	35316	L49-8173	LAZOR	710332	L5514	SPG	39807	L81-6043	LAZOR	473258
L485457VD	SPG	2377	L49-8173	LAZOR	TCS45719	L5621	LETN	416107!	L81-6060	LAZOR	225110
L485457VDR	SPG	2377	L49-8181	LAZOR	710331	L5621	LETN	455073	L81-6078	LAZOR	2016
L49-6027	LAZOR	1981	L49-8221	LAZOR	710310	L5638	GERL	473467	L81-6116	LAZOR	2007N
L49-7002	LAZOR	224835	L49-8564	LAZOR	229005	L5754	LETN	415041	L81-6124	LAZOR	350609
L49-7010	LAZOR	225880	L49-8572	LAZOR	223800	L58	LETN	415645!	L81-6132	LAZOR	350609
L49-7029	LAZOR	225020	L49-8599	LAZOR	1981	L58	LETN	455104	L81-6140	LAZOR	221207
L49-7037	LAZOR	1994	L49-8602	LAZOR	228015	L6	LETN	415187	L81-6167	LAZOR	473367
L49-7061	LAZOR	1953	L49-8653	LAZOR	710310	L600012	SPG	600012	L81-6175	LAZOR	494117
L49-7072	LAZOR	1992	L49-8696	LAZOR	223420	L600016	SPG	600016	L81-6183	LAZOR	473812
L49-7088	LAZOR	223830	L49-8700	LAZOR	223605	L600047	SPG	917034	L81-6191	LAZOR	1994
L49-7118	LAZOR	1994	L49-8750	LAZOR	223012	L600095	SPG	39880	L81-6205	LAZOR	1987
L49-7126	LAZOR	710318	L49-8777	LAZOR	223420	L600095	SPG	600095	L81-6213	LAZOR	1990
L49-7142	LAZOR	224560	L49-8793	LAZOR	224835	L600255	SPG	39888	L81-6248	LAZOR	1994
L49-7150	LAZOR	228005	L49-8823	LAZOR	223750	L600278	SPG	39899	L81-6256	LAZOR	223542
L49-7169	LAZOR	224465	L49-8831	LAZOR	229005	L600305	SPG	600305	L81-6256	LAZOR	473823
L49-7177	LAZOR	228005	L49-8904	LAZOR	228480	L600314	SPG	39608	L81-6264	LAZOR	222430
L49-7185	LAZOR	224460	L49-8912	LAZOR	710318	L600319	SPG	600319	L81-6272	LAZOR	2008
L49-7215	LAZOR	227410	L49-8939	LAZOR	229006	L600329	SPG	39880	L81-6280	LAZOR	1990
L49-7215	LAZOR	BS40381	L49-8955	LAZOR	710187	L600345	SPG	947090	L81-6299	LAZOR	712011
L49-7258	LAZOR	226840	L49-8963	LAZOR	1981	L600347	SPG	39805	L81-6302	LAZOR	2025
L49-7266	LAZOR	227020	L49-8971	LAZOR	710332	L600348	SPG	917034	L81-6345	LAZOR	224820
L49-7274	LAZOR	228020	L49-8980	LAZOR	1181	L600353	SPG	600353	L81-6353	LAZOR	1984
L49-7282	LAZOR	1021V	L49-8998	LAZOR	713771	L600355	SPG	600355	L81-6361	LAZOR	222745
L49-7282	LAZOR	BS40265	L49-9005	LAZOR	228008	L600356	SPG	39889	L81-6388	LAZOR	223830
L49-7304	LAZOR	228010	L49-9013	LAZOR	228009	L600357	SPG	5288	L81-6426	LAZOR	222050
L49-7320	LAZOR	712006	L49-9102	LAZOR	227235	L600361C	SPG	600361	L81-6434	LAZOR	710076
L49-7320	LAZOR	BS27493	L49-9102	LAZOR	228005	L600370	SPG	5290	L81-6469	LAZOR	3771
L49-7380	LAZOR	227045	L49-9129	LAZOR	3771	L600389	SPG	600389	L81-6477	LAZOR	222540
L49-7388	LAZOR	227045	L49-9137	LAZOR	223018	L600394	SPG	600394	L81-6493	LAZOR	1981
L49-7410	LAZOR	228010	L49-9145	LAZOR	223750	L600398	SPG	600398	L81-6507	LAZOR	2016
L49-7428	LAZOR	231004	L49-9145	LAZOR	224460	L600400+93430430	SPG	600400	L81-6515	LAZOR	3771
L49-7428	LAZOR	BS16192	L49-9153	LAZOR	223750	L600402	SPG	39889	L81-6531	LAZOR	712011
L49-7436	LAZOR	3771	L49-9153	LAZOR	224460	L600406	SPG	5291	L81-6558	LAZOR	32X58X8!
L49-7444	LAZOR	222820	L49-9293	LAZOR	712008	L600428	SPG	710927	L81-6566	LAZOR	1979
L49-7444	LAZOR	710325	L49-9307	LAZOR	223420	L600451	SPG	600451	L81-6590	LAZOR	1173
L49-7452	LAZOR	222743	L49-9315	LAZOR	710271	L600477	SPG	5742	L81-6604	LAZOR	223830
L49-7479	LAZOR	223831	L49-9390	LAZOR	223802	L600478	SPG	5741	L81-6612	LAZOR	223542
L49-7533	LAZOR	8316	L49-9420	LAZOR	1989	L600501	SPG	600501	L81-6620	LAZOR	1167
L49-7568	LAZOR	223020	L49-9447	LAZOR	228015	L600504	SPG	600504	L81-6647	LAZOR	1974
L49-7592	LAZOR	228009	L49061	LETN	415047	L600504	SPG	600505	L81-6680	LAZOR	1128
L49-7606	LAZOR	224025	L497231	LAZOR	228020	L600509	SPG	600509	L81-6698	LAZOR	222025!
L49-7622	LAZOR	223340	L497312	LAZOR	2001	L61	LETN	456105	L81-6728	LAZOR	1989
L49-7630	LAZOR	223602	L497312	LAZOR	60X82X12!	L620	OLIVE	473234	L81-6736	LAZOR	1981

ALPHABETICAL INTERCHANGE

! Industrial Size/Type

= The U.S. customer service number is 877-4-TIMKEN. The Canadian customer service numbers are 800-565-4927 (English) and 800-565-0438 (French-Canadian).

Zero Duplication or Recommended Industrial		Zero Duplication or Recommended Industrial		Zero Duplication or Recommended Industrial		Zero Duplication or Recommended Industrial					
Mfr. No.	Name	Mfr. No.	Name	Mfr. No.	Name	Mfr. No.	Name				
L81-6744	LAZOR	1167	L81-7864	LAZOR	2016	L81-9484	LAZOR	710126	L816701	LAZOR	222535
L81-6752	LAZOR	223240	L81-7902	LAZOR	223840	L81-9492	LAZOR	710131	L816701	LAZOR	25X38X7!
L81-6779	LAZOR	1177	L81-7910	LAZOR	224570	L81-9506	LAZOR	710176	L816760	LAZOR	223542
L81-6787	LAZOR	1177	L81-7929	LAZOR	451845	L81-9514	LAZOR	710069	L816760	LAZOR	35X55X11!
L81-6795	LAZOR	1177	L81-7945	LAZOR	225230	L81-9557	LAZOR	1174	L816809	LAZOR	223840
L81-6817	LAZOR	1176	L81-7961	LAZOR	1960	L81-9557	LAZOR	710309	L816809	LAZOR	38X58X8!
L81-6825	LAZOR	1177	L81-7970	LAZOR	1956	L81-9565	LAZOR	710168	L816833	LAZOR	1180
L81-6850	LAZOR	1959	L81-7988	LAZOR	224560	L81-9581	LAZOR	320603	L816833	LAZOR	41X55X7!
L81-6868	LAZOR	414045!	L81-7996	LAZOR	229005	L81-9590	LAZOR	224820	L816841	LAZOR	224560
L81-6884	LAZOR	1960	L81-8003	LAZOR	710316	L81-9603	LAZOR	225673	L816841	LAZOR	45X68X7!
L81-6922	LAZOR	1956	L81-8011	LAZOR	223800	L81-9611	LAZOR	4899	L816906	LAZOR	1955
L81-6930	LAZOR	1196	L81-8062	LAZOR	223580	L81-9620	LAZOR	5700	L816906	LAZOR	52X65X9!
L81-6949	LAZOR	494122	L81-8070	LAZOR	1981	L81-9638	LAZOR	1935	L816965	LAZOR	225010
L81-6957	LAZOR	474134	L81-8097	LAZOR	222742	L81-9646	LAZOR	1928	L816965	LAZOR	50X65X8!
L81-6981	LAZOR	413818	L81-8100	LAZOR	222220	L81-9654	LAZOR	225230	L816973	LAZOR	1973
L81-7007	LAZOR	1952	L81-8127	LAZOR	222540	L81-9662	LAZOR	4899	L816973	LAZOR	48X65X10!
L81-7015	LAZOR	473367	L81-8143	LAZOR	1990	L81-9689	LAZOR	1036	L817074	LAZOR	1213N
L81-7023	LAZOR	1938	L81-8151	LAZOR	1987	L81-9697	LAZOR	222830	L817155	LAZOR	1973
L81-7031	LAZOR	1952	L81-8160	LAZOR	223831	L81-9708	LAZOR	224210	L817155	LAZOR	48X65X10!
L81-7040	LAZOR	1943	L81-8178	LAZOR	4901	L81-9719	LAZOR	224045	L817180	LAZOR	1174
L81-7058	LAZOR	1952	L81-8194	LAZOR	1126	L81-9727	LAZOR	710147	L817180	LAZOR	38X52X8.5!
L81-7066	LAZOR	1949	L81-8208	LAZOR	1180	L81-9727	LAZOR	710161	L817252	LAZOR	224820
L81-7082	LAZOR	1992	L81-8216	LAZOR	42X55X8!	L81-9743	LAZOR	494123	L817252	LAZOR	48X62X8!
L81-7090	LAZOR	225230	L81-8232	LAZOR	710097	L81-9751	LAZOR	5131	L817260	LAZOR	1948
L81-7112	LAZOR	3771	L81-8259	LAZOR	710146	L81-9760	LAZOR	224510	L817260	LAZOR	50X68X8!
L81-7139	LAZOR	1884	L81-8267	LAZOR	5686	L81-9803	LAZOR	225535	L817287	LAZOR	55X82X12!
L81-7147	LAZOR	1977	L81-8275	LAZOR	225035	L81-9816	LAZOR	710292	L817333	LAZOR	226285
L81-7171	LAZOR	1188	L81-8283	LAZOR	710072	L81-9829	LAZOR	225208	L817333	LAZOR	62X85X8!
L81-7198	LAZOR	1183	L81-8291	LAZOR	239201	L81-9883	LAZOR	4990	L817350	LAZOR	1213N
L81-7244	LAZOR	1948	L81-8291	LAZOR	4175	L81-9905	LAZOR	225450	L817376	LAZOR	1181
L81-7279	LAZOR	224015	L81-8305	LAZOR	1948	L81-9913	LAZOR	4989	L817376	LAZOR	41X56X7!
L81-7295	LAZOR	225220	L81-8313	LAZOR	225650	L81-9913	LAZOR	710209	L817406	LAZOR	223605
L81-7309	LAZOR	710323	L81-8330	LAZOR	225872	L812	JOHND	415001!	L817406	LAZOR	36X50X7!
L81-7317	LAZOR	444116	L81-8348	LAZOR	474134	L812C	JOHND	415001!	L817520	LAZOR	225110
L81-7325	LAZOR	1986	L81-8356	LAZOR	710309	L816051	LAZOR	224570	L817520	LAZOR	51X65X7!
L81-7341	LAZOR	1939	L81-8364	LAZOR	225875	L816051	LAZOR	45X72X12!	L817562	LAZOR	1174
L81-7368	LAZOR	224015	L81-8372	LAZOR	225225	L816108	LAZOR	1953	L817562	LAZOR	38X52X8.5!
L81-7384	LAZOR	334111	L81-8380	LAZOR	224820	L816108	LAZOR	42X60X7!	L817635	LAZOR	1213N
L81-7392	LAZOR	226285	L81-8399	LAZOR	710194	L816221	LAZOR	474133	L818186	LAZOR	225875
L81-7414	LAZOR	224210	L81-8410	LAZOR	224400	L816230	LAZOR	1214	L818186	LAZOR	58X75X11!
L81-7430	LAZOR	224255	L81-8429	LAZOR	224400	L816230	LAZOR	1214N	L818240	LAZOR	1213N
L81-7449	LAZOR	224255	L81-8437	LAZOR	710098	L816310	LAZOR	1215	L819360	LAZOR	1207
L81-7465	LAZOR	712551	L81-8445	LAZOR	224254	L816310	LAZOR	1215N	L819360	LAZOR	1207N
L81-7473	LAZOR	2009	L81-8453	LAZOR	1180	L816310	LAZOR	2443	L819951	LAZOR	1216
L81-7481	LAZOR	2007N	L81-8488	LAZOR	5131	L816329	LAZOR	1216	L819951	LAZOR	1216N
L81-7490	LAZOR	2007N	L81-8640	LAZOR	1217	L816329	LAZOR	1216N	L82	LETN	415991
L81-7503	LAZOR	4989	L81-8747	LAZOR	473234!	L816370	LAZOR	222745	L82	LETN	455146!
L81-7511	LAZOR	2003N!	L81-8769	LAZOR	228250	L816370	LAZOR	27X45X8!	L83	LETN	415991
L81-7538	LAZOR	225650	L81-8852	LAZOR	710146	L816396	LAZOR	225005	L83	LETN	455146!
L81-7546	LAZOR	225540	L81-8860	LAZOR	225650	L816396	LAZOR	50X62X7!	L8477	FWD	416163
L81-7554	LAZOR	1960	L81-8887	LAZOR	710072	L816400	LAZOR	1012	L851	LETN	416288!
L81-7570	LAZOR	1949	L81-8909	LAZOR	1960	L816400	LAZOR	1012N	L852	LETN	416288!
L81-7589	LAZOR	413818	L81-8917	LAZOR	710306	L816418	LAZOR	223255	L9	LETN	417316!
L81-7619	LAZOR	223608	L81-8925	LAZOR	223240	L816418	LAZOR	32X52X7!	L90	LETN	416339
L81-7627	LAZOR	320583	L81-8933	LAZOR	226285	L816442	LAZOR	223830	L90	LETN	455031!
L81-7643	LAZOR	2025	L81-8941	LAZOR	710110	L816442	LAZOR	38X52X8.5!	L901019TD	SPG	39807
L81-7653	LAZOR	1176	L81-8950	LAZOR	224210	L816450	LAZOR	223840	L901620TD0	SPG	39880
L81-7660	LAZOR	1990	L81-8976	LAZOR	1955	L816450	LAZOR	38X58X8!	L901620TD1	SPG	39881
L81-7694	LAZOR	3771	L81-8984	LAZOR	710092	L816485	LAZOR	223430	L901644TD	SPG	39701
L81-7708	LAZOR	2025	L81-9000	LAZOR	710337	L816485	LAZOR	710417	L902524TD2	SPG	39044
L81-7724	LAZOR	1987	L81-9305	LAZOR	4990	L816540	LAZOR	223555	L903	LETN	416339
L81-7732	LAZOR	1992	L81-9310	LAZOR	224810	L816540	LAZOR	35X64X8!	L903	LETN	455031!
L81-7732	LAZOR	224560	L81-9336	LAZOR	224235	L816582	LAZOR	223542	L904087TD0	SPG	904087
L81-7732	LAZOR	224820	L81-9344	LAZOR	1932	L816582	LAZOR	35X55X11!	L904301TDR	SPG	470898
L81-7759	LAZOR	224820	L81-9387	LAZOR	225082	L816639	LAZOR	224045	L904365TB	SPG	39723
L81-7767	LAZOR	224100	L81-9395	LAZOR	225230	L816639	LAZOR	40X62X12!	L904378TD	SPG	39825
L81-7775	LAZOR	5695	L81-9409	LAZOR	710309	L816655	LAZOR	224270	L907025TD1	SPG	39801
L81-7783	LAZOR	5696	L81-9417	LAZOR	710093	L816655	LAZOR	42X72X10!	L907042TD1	SPG	39888
L81-7791	LAZOR	1985	L81-9441	LAZOR	710107	L816663	LAZOR	224045	L907059TD	SPG	39888
L81-7813	LAZOR	224772	L81-9450	LAZOR	710128	L816663	LAZOR	40X62X12!	L907059TD2	SPG	39888
L81-7830	LAZOR	223543!	L81-9468	LAZOR	710108	L816671	LAZOR	1181	L907087TD	SPG	39899
L81-7848	LAZOR	223608	L81-9476	LAZOR	710072	L816671	LAZOR	41X56X7!	L907087TD0	SPG	39899

! Industrial Size/Type

Mfr. No.	Name	Zero Duplication or Recommended Industrial	Mfr. No.	Name	Zero Duplication or Recommended Industrial	Mfr. No.	Name	Zero Duplication or Recommended Industrial	Mfr. No.	Name	Zero Duplication or Recommended Industrial
L907088TD2	SPG	39885	LD21361	MARMO	471192	M138	TW-DI	470530!	M2187	TW-DI	415040N=
L907091TD	SPG	5721	LD61133	MARMO	471141!	M138A	TW-DI	472397!	M2190	TW-DI	100494
L907091TD	SPG	907091	LD71368	MARMO	323138!	M1443	OLIVE	415483!	M2190	TW-DI	476470!
L907148TD0	SPG	907148	LF1190A	FORD	203006!	M1462	TW-DI	473234	M2190A	TW-DI	476470
L907155TD	SPG	907155	LF1190A1	FORD	203006!	M1510	NORDG	471649!	M2192	TW-DI	415200N=
L907158TD0	SPG	39899	LF4676A	FORD	5778	M1523	TW-DI	471571	M2192A	TW-DI	416888
L911011TD	SPG	911011	LH340442	MIHLE	450165	M154	MINNM	455336	M2200	TW-DI	417497
L9116	GERL	472397!	LH340442	MIHLE	471801!	M1585	GRAY	471766!	M2201	TW-DI	471763
L9117	GERL	470059	LH340566	MIHLE	471504	M1585	TW-DI	417191	M2219	TW-DI	415273N=
L9117	GERL	470380!	LH340761	MIHLE	415027	M1585	TW-DI	456585	M2221	TW-DI	417487!
L914411TDR	SPG	914411	LH340761	MIHLE	415027!	M1585A	TW-DI	417191	M2221	TW-DI	417487
L914412TDR	SPG	914412	LM227	WHITE	343185	M1585A	TW-DI	455165!	M2222	TW-DI	472560N
L917009TD	SPG	39608	LM337	WHITE	5976S	M16516	FAFNI	353120	M22229	IH	471750!
L917034TD	SPG	917034	LM5	BARRE	203034	M17824	JOHND	204020	M2224	TW-DI	40185
L917117TD0	SPG	917117	LM664	WHITE	471231!	M17824	JOHND	204505!	M2226	NORDG	411245!
L917157TD	SPG	917157	LR1301	PETTI	417316!	M1804	TW-DI	471271!	M2230	TW-DI	473227=
L921648TD	SPG	39815	LR1302	PETTI	415991	M1854A	TW-DI	415142	M2234	TW-DI	415302
L924371TD	SPG	924371	LR1302	PETTI	455146!	M1856	TW-DI	415142	M2239	TW-DI	417316!
L924380TD	SPG	39827	LW6M207	CONTI	470954!	M1856A	TW-DI	415142	M2240	TW-DI	415931=
L924404TD	SPG	924404	M00083042	FWD	473231!	M1868	TW-DI	471413!	M22440	IH	476838!
L927013TD	SPG	927013	M044032195	LEECE	473016!	M1875	TW-DI	410825	M2251	TW-DI	415053N=
L927112TD0	SPG	927113	M054031763	LEECE	450340	M1926	TW-DI	471648	M2251B	TW-DI	415138!
L927120TD	SPG	927120	M054031769	LEECE	473414	M1984	TW-DI	470625!	M2252	TW-DI	415995!
L927312TD	SPG	927312	M054032169	LEECE	471760	M2-L117A	BR-WN	471224!	M2253	TW-DI	470565=
L93	LETN	471689!	M054034270	LEECE	473238	M200	MINNM	450400	M2257A	TW-DI	415449
L934	JOHND	472924!	M054073498	LEECE	240733	M201093	TW-DI	471272	M2258	TW-DI	472636
L941018TD	SPG	600016	M1037	TW-DI	415085!	M201094	TW-DI	471504=	M226	TW-DI	410694!
L941619TD1	SPG	39880	M1037	TW-DI	456648	M201105	TW-DI	240736	M2272A	TW-DI	415963N=
L944211TD	SPG	471192	M104	TW-DI	471554!	M201105TD	KEN	240736	M22811	VICK	415991
L944387TD	SPG	39732	M105	TW-DI	473215!	M201189	TW-DI	455040N=	M22811	VICK	455146!
L947061TD0	SPG	39889	M1056	TW-DI	471649!	M201190	TW-DI	415351=	M22918	VICK	470954!
L947061TD2	SPG	39889	M105A	TW-DI	473215!	M201191	TW-DI	416865	M2295	TW-DI	473238=
L947090TD	SPG	5722	M105B	TW-DI	473215	M201224	TW-DI	473464=	M2295A	TW-DI	473238
L947090TD	SPG	947090	M105TD	CASE	473215!	M201290	TW-DI	473229	M23172	VICK	471766!
L947090TD0	SPG	947090	M106	TW-DI	472185!	M201293	TW-DI	471795	M2347	TW-DI	415104N=
L947193TD	SPG	947193	M107	TW-DI	474281!	M201305	TW-DI	455271N=	M2356	KEN	415389
L952537TDI	SPG	39861	M108	TW-DI	470088=	M201312	TW-DI	450593!	M2356	PACIF	415389
L9578	GERL	473245!	M109	TW-DI	473462	M201433	MINNM	40316S	M2356	TW-DI	415389
L977105TD	SPG	977105	M110	TW-DI	415001!	M201433	TW-DI	40316S	M2371	TW-DI	100494
L977168TX0	SPG	600361	M111	TW-DI	416288!	M201448	TW-DI	417344!	M2371	TW-DI	476470!
L9780	LETN	473426	M1110	OLIVE	415458!	M201482	TW-DI	417316=	M2399	TW-DI	470530
L9791	LETN	471442!	M1110	WHITE	415458!	M201486	TW-DI	417191	M2406	TW-DI	100494
L997101TD	SPG	997101	M112	OLIVE	415027!	M201486	TW-DI	455165!	M2406	TW-DI	476470!
LA09010088	LOKWD	473237!	M112	OLIVE	415027	M201518	KEN	415035	M2408	TW-DI	472636=
LA1019	MASSE	450332	M112	TW-DI	415027	M201518	PACIF	415035	M2417	TW-DI	471224=
LA1020	MASSE	470059	M113	TW-DI	415047	M201518	TW-DI	415035	M2421	TW-DI	471413
LA1020	MASSE	470380!	M1153	TW-DI	410987!	M201534	TW-DI	471870!	M2423	TW-DI	412861
LA1139	MASSE	473231	M1154	TW-DI	471766!	M201535	TW-DI	415984!	M2424	DAVEY	472397!
LA1316	MASSE	473197	M1160	TW-DI	472144!	M201539	TW-DI	417487!	M2426	TW-DI	415984=
LA33560B	FORD	471413!	M1169	TW-DI	455198N=	M201539	TW-DI	417487	M2428	DAVEY	472164!
LA33562B	FORD	471267!	M1181	TW-DI	455321	M201539A	TW-DI	417487!	M2429	TW-DI	471466=
LA33565A	FORD	471466!	M1182A	TW-DI	415035	M201539A	TW-DI	417487	M2430	TW-DI	471224=
LA33623A	FORD	470954	M1182C	TW-DI	415035	M201570	TW-DI	471554=	M24407	DAVEY	410496!
LA4961	PETTI	472012	M1183	TW-DI	45013S	M201576A	PACIF	415991	M24469	VICK	416273!
LA49610	PETTI	417022	M1189	TW-DI	416891!	M201576A	PACIF	415991!	M2449	TW-DI	415995!
LA49611	PETTI	417602!	M1194	TW-DI	471760	M201576A	TW-DI	415991	M2453	TW-DI	471692=
LA49612	PETTI	417546!	M1206	TW-DI	412943	M201576A	TW-DI	415991!	M2494	TW-DI	415913N=
LA49615	PETTI	455614	M121	TW-DI	415025	M201586	TW-DI	415984=	M2505	TW-DI	240319
LA49619	PETTI	455406!	M122	TW-DI	415458!	M201589	TW-DI	415984!	M2515	TW-DI	412119
LA4963	PETTI	473016!	M1226	TW-DI	471763	M20231	VICK	470530!	M2530	TW-DI	415498=
LA4964	PETTI	472439	M123	TW-DI	473462	M2100	TW-DI	450202N=	M2553	TW-DI	416287N=
LA4966	PETTI	471442!	M124	TW-DI	413469!	M21015	VICK	471787!	M2558	TW-DI	472636!
LA4967	PETTI	472572!	M126C	TW-DI	415035	M2130	KEN	472016	M2571	TW-DI	417350=
LA4969	PETTI	417487	M126C	TW-DI	415035!	M2130	TW-DI	472016	M25931	VICK	415991
LA7246	PETTI	40071S	M136	MANT	415035	M2134	TW-DI	416476=	M25931	VICK	415991!
LC11962	MWKEL	471787	M1360	TW-DI	415035	M2136A	BR-WN	5711	M2606A	TW-DI	470954!
LC2P150	GE	471224!	M1360	TW-DI	415035!	M21512	FORD	471538!	M2609	TW-DI	473010
LD10780	MWKEL	474278	M136A	PACIF	415035	M21512	VICK	471538!	M2621A	TW-DI	411509N
LD11360	MARMO	415035	M136A	TW-DI	415035	M2154	TW-DI	415273N=	M2622A	TW-DI	471507N=
LD11361	MARMO	471750!	M136D	TW-DI	415035	M2164	TW-DI	240731	M2650	TW-DI	472157=
LD1360	MARMO	417210!	M137	OLIVE	415995!	M2166	TW-DI	415303!	M2676	TW-DI	472157=
LD21165	MARMO	472572!	M137	TW-DI	415995!	M2183	TW-DI	417262 *=	M2685	TW-DI	411245=

! Industrial Size/Type * Minor Width Difference

= The U.S. customer service number is 877-4-TIMKEN. The Canadian customer service numbers are 800-565-4927 (English) and 800-565-0438 (French-Canadian).

ALPHABETICAL INTERCHANGE

Zero Duplication or Recommended Industrial		Zero Duplication or Recommended Industrial		Zero Duplication or Recommended Industrial		Zero Duplication or Recommended Industrial					
Mfr. No.	Name	Mfr. No.	Name	Mfr. No.	Name	Mfr. No.	Name				
M2685A	TW-DI	411245=	M36119R	MATHR	39713	M39404	SPG	73478=	M74054261	GE	416865!
M2686A	TW-DI	J1114=	M36386	MATHR	39849	M39448	MATHR	417433	M74054262	GE	415090
M2686AA	TW-DI	J1267=	M36387R	MATHR	470898	M39539	SPG	470898	M74054263	GE	417556
M2686AD	TW-DI	JX845=	M36388R	MATHR	470898	M39547	SPG	473517	M74054264	GE	416107!
M2686B	TW-DI	J1126	M36390	MATHR	473517	M39549	SPG	470898	M74054264	GE	455073
M2686C	TW-DI	J1127	M36391R	MATHR	39849	M39558	SPG	39701	M74054265	GE	455584
M2686D	TW-DI	J1125	M36392R	MATHR	39701	M39592	SPG	39849	M74054266	GE	416239!
M2686E	TW-DI	J1133=	M36393R	MATHR	473517	M39632	SPG	39861	M77099	MATHR	39920
M2686F	TW-DI	J1129	M36425R	MATHR	472311	M39990	SPG	41163T	M805	TW-DI	417191
M2686G	TW-DI	J1128	M36473R	MATHR	39705	M401	TW-DI	450084!	M805	TW-DI	455165!
M2686H	TW-DI	J1109	M36476R	MATHR	415937	M40197	SPG	39880	M806	TW-DI	476470
M2686J	TW-DI	J1117	M36521R	MATHR	39723	M40281	SPG	39887	M848	TW-DI	455026
M2686K	TW-DI	J1136	M36558R	MATHR	39817	M40282	SPG	39888	M849	TW-DI	416125!
M2686L	TW-DI	J1121	M36689R	MATHR	39887	M40375	SPG	40375	M86688	IH	471192
M2686M	TW-DI	J1123	M36689R	SPG	39887	M40392R	SPG	40392	M86690	IH	472185!
M2686N	TW-DI	J1130	M36690R	MATHR	39888	M40403	MATHR	380003A	M979	MINNM	476470
M2686Q	TW-DI	J1118	M36690R	SPG	39888	M40403B	MATHR	370001T	MA103220	CHRY	473258
M2686S	TW-DI	J1120=	M36761R	MATHR	39825	M40413	MATHR	380001A	MA103453	CHRY	471076
M2686T	TW-DI	J1134	M36985R	MATHR	39801	M40413G	MATHR	370001A	MA103454	CHRY	221720
M2686U	TW-DI	J1122	M36985R	SPG	39801	M40554	MATHR	416158	MA125844	CHRY	1196
M2686V	TW-DI	J1132	M37001	MATHR	39803	M40554B	MATHR	370025T	MA181498	CHRY	1955
M2686X	TW-DI	J1107	M37022	MATHR	39958	M40655R	SPG	39882	MA181498	CHRY	52X65X9!
M2686Y	TW-DI	J1119	M37098R	MATHR	417621	M40676	JOHND	252277	MA183	TW-DI	415294!
M2686Z	TW-DI	J1105	M37103R	MATHR	39894	M40902	SPG	40902	MA188	TW-DI	416888
M2695	TW-DI	416345!	M37104R	MATHR	39893	M41050	JOHND	471643!	MA188A	TW-DI	416888!
M2695A	TW-DI	415033N=	M37269R	MATHR	39956	M41121-53	SPG	914413	MA210	TW-DI	417487!
M2701	TW-DI	417605	M37312R	MATHR	39952	M41186-53	SPG	914411	MA210	TW-DI	417487
M2714	TW-DI	415458	M37371R	SPG	39879	M41189-53	SPG	914412	MA220	TW-DI	471413=
M2716	TW-DI	416666	M37586	SPG	37586	M413	TW-DI	411253!	MA223	TW-DI	455107N=
M27180N	JOHND	204029	M37753R	MATHR	39885	M41381R	SPG	5721	MA257	TW-DI	415483
M27180N	JOHND	204507!	M37753R	SPG	39885	M41381R	SPG	5722	MA262	TW-DI	476470!
M2718D	JOHND	450398	M37759R	MATHR	39890	M41381R	SPG	907091	MA267	TW-DI	416289N=
M2718D	JOHND	471267!	M37759R	SPG	39890	M41453	MATHR	40392	MA270	TW-DI	473204=
M2718DM	JOHND	204029	M37760R	MATHR	39889	M41453	SPG	40392	MA273	TW-DI	417605
M2718DM	JOHND	204507!	M37760R	SPG	39889	M41454	MATHR	37586	MA287	TW-DI	470530
M2731	TW-DI	471192=	M37796	MATHR	39861	M417	TW-DI	473229	MA288	TW-DI	472636=
M2735	TW-DI	416342N=	M37797	MATHR	39869	M417TD	CASE	473229	MA297	TW-DI	415995!
M2779	TW-DI	455134!	M37800	MATHR	39865	M42	TMTR	472924!	MA306	TW-DI	416654
M2800	TW-DI	471271!	M37809R	SPG	39899	M42015	IH	473426	MA319	TW-DI	413248=
M2806	TW-DI	415988	M37810R	SPG	39900	M4209	CONST	471264	MA340	TW-DI	450339=
M2806A	TW-DI	415988=	M37817R	MATHR	472409	M42523	IH	471827!	MA349	TW-DI	472258!
M2807	TW-DI	416364!	M37921RC	SPG	455134	M436	HUME	200354	MA350	PARGN	415449=
M2815	TW-DI	471442!	M37939R	SPG	415035	M440	GRAY	412473!	MA350	TW-DI	415449=
M2867	TW-DI	472015!	M380009TD	SPG	417506	M440	TW-DI	412473	MA361	TW-DI	415984=
M2876	TW-DI	476470	M380023TXO	SPG	380023A	M446	TW-DI	476424N	MA365	TW-DI	417605=
M2876	TW-DI	476470!	M380025TXO	SPG	416158	M44888	JOHND	471267!	MA366	PARGN	473215=
M2897	TW-DI	471689=	M380047TD	SPG	380047A	M49123	JOHND	471766!	MA366	TW-DI	473215=
M2911	TW-DI	415551=	M380048TA	SPG	380048A	M498	TW-DI	471224	MA369	TW-DI	472492=
M2933	TW-DI	472636=	M380069TD	SPG	380069A	M4K5438	CATER	473244!	MA372	TW-DI	415991
M2966	TW-DI	416865	M38308R	MATHR	472409	M4X4047	CATER	470487!	MA372	TW-DI	415991!
M2970	TW-DI	415327=	M38613	PI-BA	944416	M4X4051	CATER	473367	MA387	TW-DI	473214=
M305308	GWI	471224!	M38756R	MATHR	39925	M50149A	BR-WN	472924!	MA398	TW-DI	455165N=
M305924	GWI	470898	M38760	MATHR	39886	M510	TW-DI	472409=	MA415	TW-DI	415995!
M315	TW-DI	417316!	M38760R	SPG	39886	M552	TW-DI	415449!	MA416	TW-DI	476470
M3161	JA-HE	240457	M38832	SPG	471267	M552A	TW-DI	415449	MA416	TW-DI	476470!
M3162	JA-HE	6597S	M38833	MATHR	39904	M5610	BARTL	471192	MA431	TW-DI	417361=
M325529BG	SPG	60X90X10	M38926R	MATHR	415303	M5621	BARTL	471651	MA439	TW-DI	416865
M325589VGV	SPG	229210	M38926R	SPG	415303	M581	FORD	481568!	MA440	TW-DI	417365=
M340417R91	IH	410708	M38935R	MATHR	39930	M600462	SPG	600462	MA452	TW-DI	456483=
M34401	MATHR	39821	M38936R	MATHR	39920	M600K-253	CONTI	471554!	MA470	TW-DI	55301S
M35156R	MATHR	39835	M39041	SPG	39882	M600K-257	CONTI	471649!	MA472	TW-DI	100494
M35320R	MATHR	415937	M39044	NATL	39883	M600L-214	CONTI	412119!	MA472	TW-DI	476470!
M3536	CONST	471887	M39044R	SPG	39044	M600L354	CONTI	485869N=	MA497	TW-DI	456055N=
M35751R	MATHR	39732	M39054R	SPG	39926	M60478	ALLCH	471689!	MA516	TW-DI	485033V=
M35753R	MATHR	472409	M39071	SPG	39881	M605	TW-DI	472179	MA517	TW-DI	472015=
M358	TW-DI	416654!	M39088R	MATHR	39806	M605A	TW-DI	472179	MA523	TW-DI	415449=
M35940	MATHR	39715	M39089R	MATHR	39805	M61872	ALLCH	473474	MA524	TW-DI	415035
M35942	MATHR	39815	M39094	MATHR	39815	M61958	JOHND	200851	MA525	TW-DI	415995!
M35957R	MATHR	39823	M39094	SPG	39815	M64107	JOHND	203025	MA528	TW-DI	3893V!
M35970R	MATHR	39827	M39140R	SPG	471192	M671	TW-DI	473228	MA528	TW-DI	415379!
M35994R	MATHR	417433	M39157R	MATHR	39804	M6SK136A	BR-WN	471272!	MA564	TW-DI	417344
M36074R	MATHR	39837	M39285	MATHR	39807	M7041266	MARMO	240735	MA583	TW-DI	3276=

! Industrial Size/Type

= The U.S. customer service number is 877-4-TIMKEN. The Canadian customer service numbers are 800-565-4927 (English) and 800-565-0438 (French-Canadian).

Mfr. No.	Name	Zero Duplication or Recommended Industrial	Mfr. No.	Name	Zero Duplication or Recommended Industrial	Mfr. No.	Name	Zero Duplication or Recommended Industrial	Mfr. No.	Name	Zero Duplication or Recommended Industrial
MA598	TW-DI	415991	MB837029	CHRY5	710353	MD5120	MURPH	455031!	MS2281	MIRCO	16212
MA598	TW-DI	455146!	MB837719	CHRY5	4989	MD610203	CHRY5	2025	MS2282	MIRCO	16215
MA623	TW-DI	415725!	MB837719	CHRY5	710209	MD701430	CHRY5	32X48X8!	MS2291	MIRCO	16203
MA659	TW-DI	100495	MBP0511312	FORD	228250	MD701721	CHRY5	710222	MS2300	MIRCO	16205
MA659	TW-DI	417349	MBP0511312	FORD	710448	MD701732	CHRY5	223240	MS232	MIRCO	16209
MA685A	TW-DI	415294* =	MBS-940	NATL	2377	MD701735	CHRY5	25X35X7!	MS235	MIRCO	16217
MA738	TW-DI	473010	MC1190A	FORD	6815	MD701735	CHRY5	712007	MS237	MIRCO	16216
MA743	TW-DI	455134 =	MC33587A	FORD	240151	MD701782	CHRY5	223240	MS331	MIRCO	16250
MA744	TW-DI	416865	MC4676A	FORD	5778	MD701782	CHRY5	32X48X8!	MS332	MIRCO	16251
MA745	TW-DI	415984!	MCX212	CLIMX	415937!	MD703735	CHRY5	223014	MS333	MIRCO	16252
MA764	TW-DI	471341!	MCX213	CLIMX	416865!	MD703743	CHRY5	223608	MS334	MIRCO	16253
MA778	TW-DI	471466!	MCX214	CLIMX	417487	MD703743	CHRY5	36X52X7!	MS334G	MIRCO	16254
MA798	TW-DI	415983N!	MCX423	CLIMX	417191	MD704164	CHRY5	224560	MS335	MIRCO	16255
MA875	TW-DI	416865* =	MCX423	CLIMX	455165!	MD706433	CHRY5	223543	MS336	MIRCO	16256
MA876	TW-DI	411245* =	MCX661	CLIMX	416364 =	MD706433	CHRY5	35X56X10!	MS337	MIRCO	16257
MA877	TW-DI	415984* =	MCX662	CLIMX	415104N =	MD707184	CHRY5	223543	MS338	MIRCO	16258
MB001170	CHRY5	473258	MCX733	CLIMX	240733	MD707184	CHRY5	35X56X10!	MS339	MIRCO	16259
MB002074	CHRY5	494122	MCX74	CLIMX	416654!	MD707575	CHRY5	320583	MS340	MIRCO	16260
MB076351	CHRY5	221830	MD-2341	MURPH	J1141	MD711769	CHRY5	224550	MS341	MIRCO	16261
MB092145	CHRY5	224255	MD-4059	MURPH	415074	MD712012	CHRY5	223608	MS342	MIRCO	16262
MB092145	CHRY5	42X65X10!	MD000248	CHRY5	227235	MD719710	CHRY5	710199	MS343	MIRCO	16263
MB092186	CHRY5	474161	MD008762	CHRY5	3771	MD723202	CHRY5	223014	MS344	MIRCO	16264
MB092288	CHRY5	481826	MD008882	CHRY5	224460	MD731708	CHRY5	224052	MS345	MIRCO	16265
MB092296	CHRY5	224255	MD008883	CHRY5	710325	MD741818	CHRY5	712007	MS347	MIRCO	16267
MB092296	CHRY5	42X65X10!	MD009038	CHRY5	221710	MD742053	CHRY5	710259	MS352	MIRCO	16268
MB092436	CHRY5	2003N!	MD016549	CHRY5	227235	MD94630X	MURPH	415294!	MS356	MIRCO	16269
MB092437	CHRY5	225501	MD020240	CHRY5	228005	MD950349	CHRY5	473445	MS5100040-3	KEN	417316 =
MB092527	CHRY5	223550	MD020435	CHRY5	228005	MD950716	CHRY5	473445	MS5100090-3	CHRY5	470898 =
MB160578	CHRY5	224255	MD024529	CHRY5	222330	MD950807	CHRY5	1097N	MS9444A	BR-WN	415187
MB160578	CHRY5	42X65X10!	MD030789	CHRY5	712001	MDS65	VICK	470954!	MST222	MIRCO	16308
MB160850	CHRY5	710146	MD031837	CHRY5	223018	MF07013	RACIN	50199S!	MST223	MIRCO	16309
MB160946	CHRY5	710213	MD050605	CHRY5	221710	MF07013	RACIN	6863S!	MST226	MIRCO	16310
MB160949	CHRY5	224570	MD050608	CHRY5	712007	MF091	RACIN	472179	MST227	MIRCO	16311
MB166582	CHRY5	710273	MD068906	CHRY5	424	MH034067	CHRY5	223255	MST228	MIRCO	16312
MB242821	CHRY5	710338	MD069947	CHRY5	228005	MH60358	ALLCH	472287!	MST331	MIRCO	16300
MB242821	VILA	710338	MD069948	CHRY5	221710	MJA-HH-101	SPICE	477163N	MST332	MIRCO	16301
MB242822	CHRY5	38X52X8.5!	MD069949	CHRY5	224460	MK102	COC	455197N	MST333	MIRCO	16302
MB242822	CHRY5	710338	MD069950	CHRY5	712007	MK1190A	FORD	9150S	MST334	MIRCO	16303
MB242822	VILA	710338	MD090761	CHRY5	223010	MK173	COC	473179	MST335	MIRCO	16306
MB290013	CHRY5	451845	MD095355	CHRY5	222025!	MM174160	MURPH	416107!	MST339	MIRCO	16304
MB290426	CHRY5	710152	MD096264	CHRY5	222025!	MM174160	MURPH	455073	MST341	MIRCO	16305
MB290739	CHRY5	225875	MD101915	CHRY5	710056	MM273336	MURPH	416664!	MST352	MIRCO	16315
MB290739	CHRY5	58X75X11!	MD117643	CHRY5	227235	MMI73262	MURRA	470530!	MST356	MIRCO	16316
MB297514	CHRY5	225875	MD120699	CHRY5	710056	MMI73336	MURRA	416664!	MT141132	CHRY5	225010
MB297514	CHRY5	58X75X11!	MD120700	CHRY5	223750	MMI73377	MURRA	417316!	MT203648	CHRY5	224570
MB303867	CHRY5	225082	MD133317	CHRY5	3771	MMI73836	MURRA	415035	MT203648	CHRY5	45X72X12!
MB303875	CHRY5	225230	MD1462	MURPH	450593!	MMI73836	MURRA	415035!	MT2040H27	JA-MI	470682
MB350906	CHRY5	223215	MD150161	CHRY5	228009	MO54032189	LEECE	471192	MT2040H27	JAE	470682
MB393807	CHRY5	710152	MD15127	MURPH	473414	MO54034270	LEECE	473238!	MT2044S	CASE	471649!
MB393929	CHRY5	473258!	MD151463	CHRY5	222820	MO54073498	LEECE	240733	MT226S	CASE	471354!
MB393932	CHRY5	223543!	MD152603	CHRY5	223010	MOO508562	FWD	415960	MTA2032S	CASE	204038
MB412315	CHRY5	481481	MD153103	CHRY5	3771	MOO508587	FWD	415449!	MTA2043S	CASE	204002
MB501649	CHRY5	222036	MD153104	CHRY5	223018	MOO65943	FWD	455005	MU149A	BR-WN	471689 =
MB526395	CHRY5	225875	MD16239	MURPH	471570!	MOO83029	FWD	473448	MU149A	CHRY5	471689!
MB526395	CHRY5	710186	MD168055	CHRY5	223750	MOO83030	FWD	415458!	MU17134A	BR-WN	352541
MB526680	CHRY5	710221	MD168057	CHRY5	222025!	MOO83031	FWD	415458!	MU17149A	BR-WN	415449!
MB553349	CHRY5	710272	MD168058	CHRY5	221710	MOO83032	FWD	471652	MW2896	WHITE	340797
MB569924	CHRY5	710207	MD168060	CHRY5	222820	MOO83037	FWD	417316!	MW3277	WHITE	254270
MB569925	CHRY5	710208	MD168061	CHRY5	224460	MOO83038	FWD	473243	MW3348	WHITE	471267!
MB573309	CHRY5	225450	MD174462	CHRY5	224460	MOO83045	FWD	455080	MW479	WHITE	240027 =
MB584601	CHRY5	710338	MD174940	CHRY5	710235	MP747	ADAMS	470088	MW17134A	BR-WN	352541
MB584601	VILA	710338	MD180183	CHRY5	223010	MS-20124A	BR-WN	472164!	MW92	WHITE	471532
MB584745	CHRY5	494122	MD2946	MURPH	471554!	MS128	MIRCO	16202	MX49867	JOHND	415035!
MB620515	CHRY5	224874	MD301007	CHRY5	223018	MS20149A	BR-WN	455556	MX49867	JOHND	415035
MB633432	CHRY5	710182	MD339026	CHRY5	223018	MS221	MIRCO	16210	MX50069	JOHND	470530!
MB633434	CHRY5	710183	MD3488	MURPH	473446	MS222	MIRCO	16204	MX51278	JOHND	471192
MB633944	CHRY5	474134	MD359158	CHRY5	710235	MS2231	MIRCO	16200	MX54694	JOHND	415138!
MB636433	CHRY5	221620	MD372248	CHRY5	223018	MS2241	MIRCO	16201	MX60635	JOHND	471646!
MB664439	CHRY5	4989	MD4044	MURPH	471472!	MS225	MIRCO	16208	MX60922	JOHND	415138!
MB664439	CHRY5	710209	MD4066	MURPH	416271!	MS2262	MIRCO	16213	MX60935	JOHND	471646!
MB808443	CHRY5	8430S	MD505608	CHRY5	712007	MS227	MIRCO	16211	MX61829	JOHND	471570!
MB808444	CHRY5	4898	MD5120	MURPH	416339	MS228	MIRCO	16202	MX61943	JOHND	472185!

ALPHABETICAL INTERCHANGE

! Industrial Size/Type * Minor Width Difference

= The U.S. customer service number is 877-4-TIMKEN. The Canadian customer service numbers are 800-565-4927 (English) and 800-565-0438 (French-Canadian).

Zero Duplication or Recommended Industrial		Zero Duplication or Recommended Industrial		Zero Duplication or Recommended Industrial		Zero Duplication or Recommended Industrial		
Mfr. No.	Name	Mfr. No.	Name	Mfr. No.	Name	Mfr. No.	Name	
MX62601	JOHND	415449!	N56B206 CONTI	412473!	NCA4251B FORD	415449!	NJ025 PAYEN	224570
MX62870	JOHND	417344!	N6285D JOHND	470625!	NCA4676A FORD	473228!	NJ026 PAYEN	222510
MX63090	JOHND	415035!	N62C204 CONTI	474272!	NCB-4233A FORD	450285	NJ030 PAYEN	228010
MX63090	JOHND	415035	N6787D JOHND	471737=	NCB42332 FORD	473449	NJ033 PAYEN	1174
MX73464	JOHND	471570!	N7005B FORD	480491	ND14285 GMC	417362!	NJ035 PAYEN	32X58X8!
MX87356	JOHND	40169S	N7172D JOHND	473227	ND2237A FAIRB	471762!	NJ036 PAYEN	1181
MX97713	JOHND	415303!	N7174D JOHND	471795	ND4204B WHITE	HU024A	NJ038 PAYEN	223555
MXO1111	COC	455189	N7361D JOHND	472560N!	ND4426C WHITE	HU110A	NJ040 PAYEN	228020
MXO1187	COC	470712!	N7504 HU-WR	415138!	ND542A FAIRB	415551	NJ041 PAYEN	1992
MXO1189	COC	470712!	N7535 HU-WR	473231	NDA7048A FORD	472492!	NJ042 PAYEN	710313
MXS388	COC	471281!	N7841 CASE	370094A	NDA77086A FORD	473445	NJ043 PAYEN	712011
MXS826	COC	470354	N816123 WGEAR	40401	NF013 PAYEN	221540	NJ044 PAYEN	227550
N-12360	SEALD	712025	N920225 LUF	472185!	NF020 PAYEN	222240	NJ045 PAYEN	1994
N-3094	SEALD	712022	NA-773 PAYEN	473244	NF029 PAYEN	223831	NJ048 PAYEN	2000
N-3101	SEALD	712021	NA-933 PAYEN	712137	NF037 PAYEN	1012	NJ049 PAYEN	1977
N-4940	SEALD	330699	NA-980 PAYEN	712135	NF037 PAYEN	1012N	NJ051 PAYEN	1183
N-6184	SEALD	471466!	NA115 PAYEN	222510	NF129 PAYEN	222510	NJ052 PAYEN	1214
N-6229	SEALD	471466	NA132 PAYEN	472397!	NF4A3044B9 FAIRB	411253!	NJ052 PAYEN	1214N
N-7434	SEALD	470954	NA142 PAYEN	222030	NF634 PAYEN	BS40252	NJ055 PAYEN	231004
N-7449	SEALD	470954	NA151 PAYEN	223800	NJ-012 PAYEN	710383	NJ055 PAYEN	BS16192
N-8665	SEALD	471267	NA174 PAYEN	472354	NJ-034 PAYEN	710359	NJ056 PAYEN	228010
N-9700	SEALD	712018	NA271 PAYEN	451948	NJ-134 PAYEN	712008	NJ057 PAYEN	224840
N-9805	SEALD	712012	NA296 PAYEN	473210	NJ-171 PAYEN	710291	NJ058 PAYEN	228005
N-9814	SEALD	252277	NA297 PAYEN	710058	NJ-175 PAYEN	3543	NJ060 PAYEN	228480
N-9843	SEALD	471224	NA300 PAYEN	473234	NJ-192 PAYEN	710397	NJ062 PAYEN	226285
N-9967	SEALD	471689	NA328 PAYEN	451857	NJ-212 PAYEN	710353	NJ064 PAYEN	1959
N10566	MID-R	471554!	NA329 PAYEN	473231	NJ-216 PAYEN	710352	NJ066 PAYEN	224820
N10813	MID-R	471649!	NA354 PAYEN	471870!	NJ-283 PAYEN	710341	NJ067 PAYEN	225872
N10919	MID-R	50199S!	NA355 PAYEN	224045	NJ-298 PAYEN	710367	NJ068 PAYEN	1955
N10919	MID-R	6863S!	NA355 PAYEN	40X62X12!	NJ-303 PAYEN	710366	NJ069 PAYEN	1948
N10919A	MID-R	471103!	NA378 PAYEN	225040	NJ-383 PAYEN	710374	NJ070 PAYEN	1960
N10919B	MID-R	471442!	NA425 PAYEN	1960	NJ-385 PAYEN	710339	NJ071 PAYEN	1956
N10919C	MID-R	50199S!	NA433 PAYEN	1198	NJ-388 PAYEN	710381	NJ072 PAYEN	710329
N10919C	MID-R	6863S!	NA453 PAYEN	1174	NJ-389 PAYEN	710379	NJ073 PAYEN	227410
N10981	MID-R	471192	NA461 PAYEN	1012	NJ-390 PAYEN	226820	NJ073 PAYEN	BS40381
N10981D	MID-R	471224!	NA461 PAYEN	1012N	NJ-394 PAYEN	710373	NJ074 PAYEN	1952
N109913	JOHND	473214!	NA473 PAYEN	472655	NJ-420 PAYEN	710371	NJ077 PAYEN	1953
N11431	MID-R	50327	NA512 PAYEN	471854!	NJ-433 PAYEN	710384	NJ078 PAYEN	1188
N115080B	FORD	415001!	NA551 PAYEN	350936	NJ-472 PAYEN	710375	NJ080 PAYEN	710324
N1162B	EATON	415034=	NA559 PAYEN	1174	NJ-480 PAYEN	710372	NJ081 PAYEN	224865
N1162C	EATON	416294!	NA582 PAYEN	TCS45473	NJ-515 PAYEN	710382	NJ082 PAYEN	224830
N128	CASE	473229	NA611 PAYEN	415001	NJ-518 PAYEN	710344	NJ084 PAYEN	222430
N12948	MID-R	471192	NA727 PAYEN	228010	NJ-646 PAYEN	710351	NJ085 PAYEN	2016
N130664	JOHND	471413	NA736 PAYEN	471272	NJ-718 PAYEN	710407	NJ088 PAYEN	1196
N136	BUTBN	472179	NA748 PAYEN	415483!	NJ-772 PAYEN	710356	NJ089 PAYEN	1213N
N137	BUTBN	417205!	NA759 PAYEN	472397	NJ-841 PAYEN	710406	NJ090 PAYEN	710320
N137	NORDG	450188	NA764 PAYEN	413246	NJ-855 PAYEN	710347	NJ091 PAYEN	1994
N14357	CASE	40169S	NA965 PAYEN	3341	NJ-911 PAYEN	710107	NJ092 PAYEN	473823
N148	BUTBN	471689!	NA988 PAYEN	712129	NJ-947 PAYEN	225875*	NJ094 PAYEN	231206
N151	BUTBN	471567!	NAA4676A FORD	473215!	NJ-947 PAYEN	710400	NJ095 PAYEN	65X95X8
N1800303	SPICE	J1130	NB-167 PAYEN	712133	NJ-948 PAYEN	710401	NJ096 PAYEN	223830
N1800303	VIC	J1130	NB-469 PAYEN	712138	NJ-957 PAYEN	710405	NJ098 PAYEN	717005
N1851	FORD	471466!	NB-611 PAYEN	712134	NJ-981 PAYEN	60X85X12	NJ099 PAYEN	227020
N1851	MID-R	471466!	NB020 PAYEN	712132	NJ001 PAYEN	227045	NJ100 PAYEN	473179!
N24243	DAVEY	410102	NB077 PAYEN	712127	NJ002 PAYEN	1177	NJ101 PAYEN	473812
N317	NORDG	450188	NB083 PAYEN	712128	NJ003 PAYEN	1959	NJ102 PAYEN	710318
N3478	DIA	6592S=	NB291 PAYEN	710180	NJ004 PAYEN	712006	NJ104 PAYEN	1950
N3502	CASE	473215!	NB300 PAYEN	224835	NJ004 PAYEN	BS27493	NJ106 PAYEN	224045*
N3503	CASE	450765!	NB300 PAYEN	48X68X10!	NJ005 PAYEN	224460	NJ107 PAYEN	444116
N4152A	WAYNE	471763	NB304 PAYEN	224835	NJ006 PAYEN	227235	NJ110 PAYEN	712003
N4478	DIA	415697!	NB304 PAYEN	48X68X10!	NJ007 PAYEN	224465	NJ116 PAYEN	2008
N4478	DIA	455547	NB310 PAYEN	712130	NJ008 PAYEN	227235	NJ117 PAYEN	1167
N4517	CASE	471737=	NB312 CEW	228010	NJ009 PAYEN	1188	NJ118 PAYEN	222535
N5089	CASE	471808!	NB384 PAYEN	224020	NJ011 PAYEN	224015	NJ119 PAYEN	222540
N5091	CASE	450984	NB610 PAYEN	472439	NJ014 PAYEN	225020	NJ120 PAYEN	1181
N5177	JOHND	471766!	NB625 PAYEN	712131	NJ015 PAYEN	224015	NJ122 PAYEN	224270
N5178D	JOHND	472311!	NB645 PAYEN	3771	NJ017 PAYEN	1176	NJ125 PAYEN	710070
N55008	DOMGA	321460	NB645 PAYEN	TCS45472	NJ021 PAYEN	2001	NJ127 PAYEN	1174
N55044	DOMGA	472341!	NB698 PAYEN	228008	NJ021 PAYEN	BS27493	NJ128 PAYEN	224870
N5586	CASE	240735	NB699 PAYEN	3771	NJ021N PAYEN	712006	NJ129 PAYEN	494123
N5587	CASE	472311!	NB735 PAYEN	224052	NJ022 PAYEN	223831	NJ130 PAYEN	225220
N5696D	JOHND	471413	NCA1190A FORD	7381S	NJ023 PAYEN	224210	NJ132 PAYEN	710125

! Industrial Size/Type *Minor Width Difference

=The U.S. customer service number is 877-4-TIMKEN. The Canadian customer service numbers are 800-565-4927 (English) and 800-565-0438 (French-Canadian).

Mfr. No.	Name	Zero Duplication or Recommended Industrial	Mfr. No.	Name	Zero Duplication or Recommended Industrial	Mfr. No.	Name	Zero Duplication or Recommended Industrial	Mfr. No.	Name	Zero Duplication or Recommended Industrial
NJ133	PAYEN	710127	NJ266	PAYEN	712005	NJ425	PAYEN	710278	NJ599	PAYEN	227020
NJ136	PAYEN	710182	NJ267	PAYEN	224205	NJ428	PAYEN	494123	NJ600	PAYEN	222820*
NJ139	PAYEN	225673	NJ268	PAYEN	710327	NJ429	PAYEN	225010	NJ600	PAYEN	710325
NJ140	PAYEN	226150	NJ269	PAYEN	710271	NJ436	PAYEN	223220	NJ602	PAYEN	225875
NJ141	PAYEN	226610	NJ270	PAYEN	712008	NJ437	PAYEN	710076	NJ603	PAYEN	225505
NJ142	PAYEN	710178	NJ274	PAYEN	223542	NJ438	PAYEN	221820	NJ606	PAYEN	223252
NJ143	PAYEN	221510	NJ275	PAYEN	1175	NJ439	PAYEN	1989	NJ607	PAYEN	223542
NJ144	PAYEN	222340	NJ276	PAYEN	1012	NJ441	PAYEN	712011	NJ608	PAYEN	223840
NJ145	PAYEN	223400	NJ276	PAYEN	1012N	NJ444	PAYEN	221922	NJ609	PAYEN	223840
NJ146	PAYEN	226530	NJ278	PAYEN	320564	NJ446	PAYEN	228700	NJ610	PAYEN	222510
NJ147	PAYEN	223540	NJ280	PAYEN	223340	NJ448	PAYEN	223012	NJ611	PAYEN	223014
NJ148	PAYEN	2007N	NJ284	PAYEN	228410	NJ449	PAYEN	1217	NJ612	PAYEN	223608
NJ149	PAYEN	223050	NJ285	PAYEN	223420	NJ452	PAYEN	2007N	NJ612	PAYEN	36X52X7!
NJ150	PAYEN	221820	NJ285	PAYEN	TCS45635	NJ453	PAYEN	1987	NJ615	PAYEN	223005
NJ151	PAYEN	223050	NJ286	PAYEN	223602	NJ454	PAYEN	1981	NJ617	PAYEN	320603
NJ152	PAYEN	223550	NJ287	PAYEN	228009	NJ456	PAYEN	1012	NJ618	PAYEN	145X175X15
NJ153	PAYEN	225278	NJ288	PAYEN	224020	NJ456	PAYEN	1012N	NJ619	PAYEN	70X95X13
NJ154	PAYEN	229004	NJ291	PAYEN	225035	NJ464	PAYEN	1943	NJ620	PAYEN	222743
NJ155	PAYEN	5685	NJ297	PAYEN	225875	NJ465	PAYEN	710087	NJ621	PAYEN	221720
NJ157	PAYEN	5685	NJ300	PAYEN	228020	NJ465	PAYEN	710376	NJ622	PAYEN	221540
NJ158	PAYEN	710060	NJ302	PAYEN	231004	NJ467	PAYEN	710084	NJ625	PAYEN	471950
NJ159	PAYEN	710282	NJ309	PAYEN	227610	NJ468	PAYEN	710085	NJ626	PAYEN	1949
NJ161	PAYEN	710314	NJ309	PAYEN	BS40268	NJ471	PAYEN	224020	NJ628	PAYEN	225880
NJ163	PAYEN	710260	NJ311	PAYEN	710331	NJ474	PAYEN	225230	NJ629	PAYEN	224255
NJ164	PAYEN	1147	NJ312	PAYEN	228015	NJ479	PAYEN	710277	NJ630	PAYEN	225225
NJ165	PAYEN	4901	NJ313	PAYEN	320595	NJ484	PAYEN	1990	NJ631	PAYEN	1126
NJ166	PAYEN	224066	NJ321	PAYEN	222860	NJ492	PAYEN	224510	NJ632	PAYEN	222220
NJ167	PAYEN	224063	NJ321	PAYEN	TCS45633	NJ493	PAYEN	494122	NJ634	PAYEN	3459
NJ168	PAYEN	224068	NJ322	PAYEN	710060	NJ494	PAYEN	223550	NJ635	PAYEN	710316
NJ169	PAYEN	3459	NJ323	PAYEN	224025	NJ500	PAYEN	710440	NJ637	PAYEN	224025
NJ172	PAYEN	710238	NJ324	PAYEN	223420	NJ509	PAYEN	1170	NJ638	PAYEN	225650
NJ176	PAYEN	710438	NJ325	PAYEN	229005*	NJ519	PAYEN	1981	NJ639	PAYEN	710312
NJ177	PAYEN	2012	NJ325	PAYEN	229006	NJ519	PAYEN	223014*	NJ642	PAYEN	32X43X7!
NJ178	PAYEN	1932	NJ334	PAYEN	222330	NJ520	PAYEN	710070	NJ642	PAYEN	710370
NJ179	PAYEN	224235	NJ337	PAYEN	710333	NJ521	PAYEN	710319	NJ645	PAYEN	710187
NJ180	PAYEN	1205	NJ339	PAYEN	222340	NJ522	PAYEN	2009	NJ648	PAYEN	30X55X10
NJ180	PAYEN	1205N	NJ341	PAYEN	1038	NJ525	PAYEN	68X90X10	NJ650	PAYEN	228250
NJ181	PAYEN	1213N	NJ342	PAYEN	1021V	NJ526	PAYEN	494117	NJ650	PAYEN	710448
NJ182	PAYEN	223543!	NJ343	PAYEN	1019	NJ527	PAYEN	224250	NJ653	PAYEN	221735
NJ183	PAYEN	710199	NJ344	PAYEN	1953	NJ528	PAYEN	1939	NJ655	PAYEN	222025!
NJ184	PAYEN	226018	NJ346	PAYEN	229010	NJ529	PAYEN	1938	NJ657	PAYEN	22X40X7!
NJ186	PAYEN	710124	NJ349	PAYEN	223235	NJ536	PAYEN	1213N	NJ658	PAYEN	225230
NJ187	PAYEN	710122	NJ351	PAYEN	1012	NJ537	PAYEN	4990	NJ659	PAYEN	225210
NJ188	PAYEN	710123	NJ351	PAYEN	1012N	NJ539	PAYEN	225010	NJ660	PAYEN	1180
NJ190	PAYEN	224026	NJ353	PAYEN	1987	NJ541	PAYEN	2003N!	NJ661	PAYEN	710092
NJ191	PAYEN	710133	NJ354	PAYEN	716102	NJ551	PAYEN	1986	NJ662	PAYEN	1975
NJ193	PAYEN	710246	NJ358	PAYEN	1953	NJ557	PAYEN	224820	NJ663	PAYEN	3622
NJ195	PAYEN	222745	NJ360	PAYEN	228009	NJ558	PAYEN	228010	NJ664	PAYEN	2955
NJ196	PAYEN	222745	NJ368	PAYEN	223340	NJ559	PAYEN	223235	NJ665	PAYEN	710098
NJ198	PAYEN	710240	NJ369	PAYEN	225880	NJ562	PAYEN	224820	NJ666	PAYEN	224254
NJ199	PAYEN	1188	NJ373	PAYEN	710325	NJ563	PAYEN	223605	NJ675	PAYEN	228008
NJ200	PAYEN	224840	NJ377	PAYEN	710310	NJ564	PAYEN	1960	NJ676	PAYEN	473258!
NJ201	PAYEN	224210	NJ378	PAYEN	710334	NJ568	PAYEN	710086	NJ677	PAYEN	17X27X7
NJ202	PAYEN	713771	NJ381	PAYEN	710332	NJ569	PAYEN	474133	NJ678	PAYEN	413818
NJ232	PAYEN	710391	NJ382	PAYEN	1979	NJ571	PAYEN	710080	NJ679	PAYEN	1174*
NJ239	PAYEN	225040	NJ384	PAYEN	1973	NJ572	PAYEN	474121	NJ679	PAYEN	710309
NJ240	PAYEN	4359V	NJ386	PAYEN	2002	NJ574	PAYEN	1992	NJ685	PAYEN	2016
NJ242	PAYEN	3771	NJ387	PAYEN	1974	NJ575	PAYEN	1173	NJ688	PAYEN	710124
NJ242	PAYEN	TCS45483	NJ391	PAYEN	138X152X12!	NJ577	PAYEN	224015	NJ689	PAYEN	710134
NJ243	PAYEN	710345	NJ391	PAYEN	710368	NJ578	PAYEN	225005	NJ690	PAYEN	2003N!
NJ251	PAYEN	228005	NJ393	PAYEN	710088	NJ579	PAYEN	1012	NJ692	PAYEN	225650
NJ252	PAYEN	712001	NJ395	PAYEN	226530	NJ579	PAYEN	1012N	NJ693	PAYEN	1985
NJ254	PAYEN	222743	NJ396	PAYEN	223430	NJ580	PAYEN	1984	NJ694	PAYEN	225650
NJ255	PAYEN	221710	NJ396	PAYEN	710417	NJ581	PAYEN	225420	NJ695	PAYEN	710072
NJ261	PAYEN	1012	NJ399	PAYEN	1981	NJ582	PAYEN	717004	NJ696	PAYEN	225540
NJ261	PAYEN	1012N*	NJ405	PAYEN	224045*	NJ585	PAYEN	710268	NJ701	PAYEN	1948
NJ261	PAYEN	710321	NJ414	PAYEN	224045	NJ586	PAYEN	25X45X8	NJ703	PAYEN	222655
NJ263	PAYEN	1215	NJ415	PAYEN	710051	NJ587	PAYEN	1174	NJ704	PAYEN	710110
NJ263	PAYEN	1215N	NJ416	PAYEN	223230	NJ588	PAYEN	55X78X10	NJ705	PAYEN	710109
NJ264	PAYEN	1216	NJ417	PAYEN	130X150X10!	NJ592	PAYEN	223605	NJ707	PAYEN	223830
NJ264	PAYEN	1216N	NJ417	PAYEN	710380	NJ593	PAYEN	1176	NJ708	PAYEN	1180
NJ265	PAYEN	228480	NJ419	PAYEN	334111	NJ598	PAYEN	223012	NJ709	PAYEN	224210

ALPHABETICAL INTERCHANGE

! Industrial Size/Type * Minor Width Difference

Zero Duplication or Recommended Industrial		Zero Duplication or Recommended Industrial		Zero Duplication or Recommended Industrial		Zero Duplication or Recommended Industrial					
Mfr. No.	Name	Mfr. No.	Name	Mfr. No.	Name	Mfr. No.	Name				
NJ709	PAYEN	42X55X8!	NJ864	PAYEN	224815	NJ999	PAYEN	710322	NK167	PAYEN	710439
NJ722	PAYEN	710294	NJ865	PAYEN	224820	NK-010	PAYEN	710357	NK195	PAYEN	710437
NJ726	PAYEN	1970	NJ866	PAYEN	224872	NK-016	PAYEN	710330	NK217	PAYEN	225040
NJ731	PAYEN	4901	NJ867	PAYEN	4898	NK-046	PAYEN	222450	NK230	PAYEN	474133
NJ733	PAYEN	1140	NJ868	PAYEN	1993	NK-082	PAYEN	710350	NK232	PAYEN	224250
NJ733	PAYEN	223580	NJ872	PAYEN	223210	NK-083	PAYEN	710349	NK233	PAYEN	712007
NJ734	PAYEN	1937	NJ873	PAYEN	710056	NK-086	PAYEN	712009	NLA307	FAIRB	417343!
NJ735	PAYEN	710167	NJ874	PAYEN	223750	NK-098	PAYEN	225220	NLA90	FAIRB	471750!
NJ737	PAYEN	474230	NJ875	PAYEN	223220	NK-105	PAYEN	710354	NO-1	ATP	2025
NJ739	PAYEN	224570	NJ877	PAYEN	221620	NK-140	PAYEN	3771	NO-10	ATP	3771
NJ740	PAYEN	223553	NJ878	PAYEN	710398	NK-145	PAYEN	1974	NO-2	ATP	710051
NJ748	PAYEN	710338	NJ881	PAYEN	710128	NK-146	PAYEN	710226	NO-3	ATP	224010
NJ749	PAYEN	223543!	NJ882	PAYEN	710126	NK-147	PAYEN	225005	NP4426A	WHITE	HU110A
NJ749	PAYEN	710396	NJ885	PAYEN	710131	NK-147	PAYEN	710226*	NSAH95X132X1222	KOYO	710085
NJ750	PAYEN	710073	NJ887	PAYEN	223845	NK-148	PAYEN	710231	NX32440A	JOHND	415995!
NJ751	PAYEN	222410	NJ889	PAYEN	1036	NK-149	PAYEN	710229	NX33341	JOHND	415437
NJ756	PAYEN	710305	NJ890	PAYEN	225530	NK-153	PAYEN	710236	NX33341	JOHND	415437!
NJ757	PAYEN	710342	NJ891	PAYEN	223831	NK-157	PAYEN	228250	NX33649	JOHND	470334!
NJ758	PAYEN	222030	NJ892	PAYEN	225225	NK-157	PAYEN	710448	NXA543	BENDI	471504!
NJ759	PAYEN	222860	NJ904	PAYEN	1953	NK-158	PAYEN	710355	O132034	GMC	470059
NJ760	PAYEN	710306	NJ905	PAYEN	13X22X61	NK-172	PAYEN	712009	O132034	GMC	470380!
NJ761	PAYEN	223552	NJ905	PAYEN	710348	NK-173	PAYEN	228410	O2003	WILYS	472179
NJ762	PAYEN	221510	NJ906	PAYEN	225872	NK-175	PAYEN	710392	O2004	WILYS	472179
NJ763	PAYEN	223400	NJ907	PAYEN	1012	NK-196	PAYEN	710393	O2005	WILYS	471801!
NJ764	PAYEN	470460	NJ907	PAYEN	1012N	NK-197	PAYEN	710394	O2088	MASSE	50081
NJ765	PAYEN	224052	NJ908	PAYEN	710094	NK005	PAYEN	710332	O2501CS	CASE	450415
NJ766	PAYEN	1216	NJ909	PAYEN	710093	NK007	PAYEN	1012	O3869AB	CASE	476838!
NJ766	PAYEN	1216N	NJ912	PAYEN	710175	NK007	PAYEN	1012N	O52115	ALLCH	417247!
NJ769	PAYEN	145X164X14!	NJ915	PAYEN	710315	NK008	PAYEN	4175	O52641	ALLCH	417267
NJ769	PAYEN	710369	NJ916	PAYEN	1938	NK009	PAYEN	710168	O74147	GMC	5M497
NJ777	PAYEN	1147	NJ917	PAYEN	1938	NK011	PAYEN	1971	OC5004	LETN	416865!
NJ778	PAYEN	222220	NJ919	PAYEN	1213N	NK012	PAYEN	710193	OCB521	CLSTL	480630!
NJ780	PAYEN	1936	NJ925	PAYEN	710295	NK014	PAYEN	224205	OD248	ALLCH	416654!
NJ781	PAYEN	710337	NJ928	PAYEN	710296	NK015	PAYEN	229210	OD2973U238	WHITE	340413
NJ782	PAYEN	710148	NJ933	PAYEN	713771	NK022	PAYEN	710336	OD307	ALLCH	476470
NJ783	PAYEN	473677	NJ934	PAYEN	222540	NK023	PAYEN	711181	OD5219	LETN	415371
NJ799	PAYEN	222835	NJ936	PAYEN	710090	NK027	PAYEN	710243	OD613	ALLCH	457874
NJ807	PAYEN	220860	NJ939	PAYEN	710089	NK028	PAYEN	3667	OE122	ALLCH	415995!
NJ808	PAYEN	710323	NJ940	PAYEN	224045*	NK031	PAYEN	226840	OF53	BU-SP	473238
NJ809	PAYEN	1973	NJ941	PAYEN	710167	NK032	PAYEN	224253	OIT4676	MARMO	473215!
NJ810	PAYEN	1207	NJ942	PAYEN	710081	NK034	PAYEN	1932	OM1177A	FORD	473228
NJ810	PAYEN	1207N	NJ943	PAYEN	228480	NK035	PAYEN	1019	OM1177A1	FORD	473228
NJ811	PAYEN	224235	NJ944	PAYEN	474133	NK036	PAYEN	221720	OM1177B	FORD	473228
NJ812	PAYEN	1964	NJ945	PAYEN	222220	NK040	PAYEN	224979	OM1177C	FORD	473228
NJ813	PAYEN	710326	NJ949	PAYEN	225875	NK042	PAYEN	222745	OMX10191	ALLCH	415482
NJ814	PAYEN	1216	NJ951	PAYEN	223250	NK043	PAYEN	223801	OMX10525	ALLCH	471442!
NJ814	PAYEN	1216N	NJ951	PAYEN	710415	NK047	PAYEN	1981	OMX10526	ALLCH	240735
NJ818	PAYEN	1994	NJ952	PAYEN	222820	NK048	PAYEN	223253	OMX10660	ALLCH	471684!
NJ821	PAYEN	471076	NJ955	PAYEN	60X82X12!	NK049	PAYEN	223831	OMX1663	ALLCH	55028
NJ822	PAYEN	474161	NJ961	PAYEN	350572	NK050	PAYEN	224020	OMX3173	ALLCH	412943
NJ823	PAYEN	224255	NJ962	PAYEN	223215	NK053	PAYEN	225673	OMX382	ALLCH	412119!
NJ824	PAYEN	225082	NJ963	PAYEN	221820	NK054	PAYEN	4899	OMX9396	ALLCH	471466
NJ825	PAYEN	225230	NJ964	PAYEN	221820	NK055	PAYEN	710188	OP53	BU-SP	473238!
NJ828	PAYEN	68X82X7!	NJ976	PAYEN	710433	NK065	PAYEN	224045*	OP54	BU-SP	415937!
NJ828	PAYEN	710378	NJ978	PAYEN	224660	NK067	PAYEN	224026	OP55	BU-SP	417351!
NJ831	PAYEN	225880	NJ982	PAYEN	1120	NK068	PAYEN	350609	OP56	BU-SP	415001!
NJ832	PAYEN	222030	NJ983	PAYEN	710097	NK074	PAYEN	1170	OS26	GR-DV	470328
NJ836	PAYEN	225035	NJ984	PAYEN	473179!	NK075	PAYEN	223410	OS26	GR-DV	481213!
NJ837	PAYEN	710072	NJ985	PAYEN	1940	NK075	PAYEN	710416	OS375	GMC	330385!
NJ838	PAYEN	710069	NJ986	PAYEN	710273	NK076	PAYEN	3459	OT200A	MINNM	415021
NJ843	PAYEN	473823	NJ987	PAYEN	710152	NK084	PAYEN	320583	OTC19003	CONTI	473231!
NJ844	PAYEN	224400	NJ988	PAYEN	225450	NK094	PAYEN	710108	OTC19003	ONAN	473231!
NJ846	PAYEN	710233	NJ989	PAYEN	222050	NK099	PAYEN	5686	P-0080	C-P	415058
NJ847	PAYEN	225230	NJ991	PAYEN	224820	NK100	PAYEN	350609	P-0081	C-P	455151
NJ848	PAYEN	710230	NJ992	PAYEN	710239	NK103	PAYEN	228700	P-0082	C-P	416476!
NJ852	PAYEN	1213N	NJ993	PAYEN	320564	NK104	PAYEN	229010	P-0305	C-P	415551
NJ854	PAYEN	224462	NJ994	PAYEN	1941	NK106	PAYEN	224650	P-0306	C-P	416158
NJ858	PAYEN	710154	NJ995	PAYEN	225275	NK109	PAYEN	221730	P-0307	C-P	416666
NJ859	PAYEN	223010	NJ996	PAYEN	225410	NK110	PAYEN	223535	P-0308	C-P	455280
NJ861	PAYEN	223540	NJ997	PAYEN	1928	NK144	PAYEN	710292	P-0326	C-P	471271!
NJ862	PAYEN	224560	NJ998	PAYEN	1935	NK150	PAYEN	710436	P-0410	C-P	415219
NJ863	PAYEN	224820	NJ999	PAYEN	1188	NK152	PAYEN	224650	P-328	DURA	473405

! Industrial Size/Type *Minor Width Difference

Mfr. No.	Name	Zero Duplication or Recommended Industrial	Mfr. No.	Name	Zero Duplication or Recommended Industrial	Mfr. No.	Name	Zero Duplication or Recommended Industrial	Mfr. No.	Name	Zero Duplication or Recommended Industrial
P-629C	DURA	481443!	P2388	TEREL	473215!	P3498	ITM	471224!	P6085	ITM	41X55X7!
P003001	EBERH	471526!	P2410	ITM	472164!	P3507	ITM	1077=	P6085	PETTI	450104
P003002	EBERH	471466!	P2411	TEREL	473237!	P3509	ITM	473228	P6089	PETTI	55030
P003005	EBERH	473225!	P24112	BUC-E	470086	P3510	ITM	1020	P6090	PETTI	415047
P003008	EBERH	473232	P2412	BUC-E	416107!	P3511	ITM	471192	P6096	PETTI	455151
P003009	EBERH	472185!	P2412	BUC-E	455073	P3573	TEREL	472924!	P6112	ITM	1174
P003010	EBERH	473238	P24149	JOHND	473229	P3587	TEREL	471692!	P6112	ITM	38X52X8.5!
P003012	EBERH	472572!	P2419	TEREL	415449!	P3591	BU-SP	472164!	P611810	KRSE	473238!
P003013	EBERH	471442!	P2420	TEREL	472397!	P3592	BU-SP	415138!	P611811	KRSE	J1105
P003014	EBERH	471224!	P2424	TEREL	471766!	P3597	BU-SP	472924!	P6131	BU-SP	476470
P003015	EBERH	471192	P243	BUC-E	415116	P3618	TEREL	471689!	P6132	BU-SP	417298
P003019	EBERH	473226	P24341	JOHND	473228	P3619	TEREL	471224!	P6133	BU-SP	416865!
P003020	EBERH	471763	P2441	TEREL	473237!	P3655	ITM	224045	P6173	ITM	1077=
P003021	EBERH	471766!	P2494	ITM	2551	P3655	ITM	40X62X12!	P6174	ITM	472213
P003022	EBERH	473424!	P25147	BUC-E	472157!	P3830	ITM	1094=	P6177	ITM	224235
P003023	EBERH	450165	P25147	BUC-E	472157	P3835	ITM	471737	P6177	ITM	42X58X7!
P003023	EBERH	471801!	P2559	TEREL	470380!	P3842	ITM	222510	P6178	ITM	224025
P003024	EBERH	471571	P2562	TEREL	471138!	P3842	ITM	25X35X7!	P6179	ITM	35X50X8!
P003026	EBERH	473236!	P2598	TEREL	470565!	P39080002	LAVOI	240435	P6179	ITM	3771
P003032	EBERH	450342	P2604	TEREL	471766!	P39080005	LAVOI	240716	P6188	ITM	2642
P003035	EBERH	472012	P2612	TEREL	471981	P391	PORTR	415302	P6201	ITM	224520
P003041	EBERH	471652	P2621	TEREL	472164!	P3911	ITM	470898	P6201	ITM	45X60X10!
P003042	EBERH	472354!	P2625	ITM	470898	P392	PORTR	415995!	P6205	ITM	1994
P003055	EBERH	481792	P2625	TEREL	473215!	P3933	ITM	2655	P6205	ITM	48X70X9!
P003056	EBERH	471730	P26500	JOHND	471554!	P3952	ITM	470487!	P6213	ITM	223542
P003119	EBERH	481397	P2672	TEREL	470605!	P3971	ITM	472258!	P6213	ITM	35X55X11!
P1011	JOHND	471570!	P2674	ITM	224045	P3973	ITM	224520	P6247	ITM	1174
P1012	JOHND	476838!	P2674	ITM	40X62X12!	P3973	ITM	45X60X10!	P6247	ITM	38X52X8.5!
P1019	DEXTR	473336	P2704	TEREL	473239!	P3974	ITM	1973	P6262	BU-SP	417357
P116	REULD	470774!	P2707	TEREL	J1117	P3974	ITM	48X65X10!	P6262	BU-SP	455192!
P127	REULD	416664!	P2749	TEREL	410102	P3987	TEREL	471833	P6296	BU-SP	415991
P12710	ATHEY	471689!	P2755	TEREL	451078!	P3990	TEREL	J1103	P6296	BU-SP	455146!
P1362	JOHND	471529	P2803	TEREL	471835!	P3991	TEREL	J1105	P6298	BU-SP	417556
P14730	FORD	471820	P2804	TEREL	473010!	P39A217	CONTI	473460	P6298	ITM	224270
P14730	PETTI	474264	P2805	TEREL	473232!	P40057	JOHND	472439	P6298	ITM	42X72X10!
P14731	FORD	471820	P28112	BUC-E	470086	P4152	ITM	1110	P6299	BU-SP	416239!
P14732	FORD	473367!	P2812	BUC-E	415072	P41721	JOHND	471270!	P629B	DURA	450129
P14732	FORD	473367	P283	BUC-E	417604	P41721H	JOHND	471270!	P629B	DURA	472826!
P14732	PETTI	471820	P2871	ITM	224015	P4187	TEREL	415259!	P6301	ITM	1209
P16076	C-R	5115	P2879	TEREL	471984	P4520	ITM	1097N	P6302	ITM	1195
P1651	C-P	415645!	P2900	TEREL	471649!	P4531	ITM	1977	P6304	ITM	1012
P1651	C-P	455104	P29928	HARN	415970=	P4535	ITM	3771	P6304	ITM	1012N
P1652	C-P	417487	P29928	NAPCO	415970=	P4544	ITM	1174	P6304	ITM	45X62X8!
P1653	C-P	415991	P2BA7603	GN-TI	6283S	P4544	ITM	38X52X8.5!	P6305	ITM	1208
P1653	C-P	455146!	P2X6976	CATER	473231=	P4583	ITM	33X50X12!	P6305	ITM	48X72X7!
P16685	ATHEY	471619!	P3045	TEREL	J1109	P4609	ITM	471652	P6319	ITM	482126
P1780	C-P	55078S	P3059	TEREL	471760	P4646	ITM	1012	P6332	ITM	1192
P179	KOEH	350364	P3091	ITM	472299	P4646	ITM	1012N	P6366	ITM	224015
P190	BUC-E	417269!	P3130	ITM	473234!	P4747	ITM	224045	P6367	ITM	224045
P19234	ATHEY	473467!	P3131	ITM	1089*=	P4747	ITM	40X62X12!	P6367	ITM	40X62X12!
P1936	C-P	417247!	P3140	ITM	472179	P4778	ITM	2669	P6369	ITM	5778
P1941	C-P	470530!	P3141	ITM	1873	P4784	ITM	223840	P6373	ITM	1174
P19653F	NAPCO	415970=	P3156	ITM	473241	P4784	ITM	38X58X8!	P6373	ITM	38X52X8.5!
P2003	TEREL	41075S	P3167	ITM	473016!	P4785	ITM	1177	P6374	ITM	1181
P20254	JOHND	472234	P3168	ITM	472492!	P4788	ITM	1176	P6374	ITM	41X56X7!
P20255	JOHND	415991	P3242	ITM	7399S!	P4789	ITM	1180	P6375	ITM	1183
P20255	JOHND	455146!	P3306	TEREL	410102=	P4789	ITM	41X55X7!	P6376	ITM	224045
P20274	JOHND	412861	P3315	ITM	470334!	P4795	ITM	1959	P6376	ITM	40X62X12!
P2044	TEREL	476470	P3337	TEREL	473442!	P4797	ITM	55X82X12!	P6377	ITM	1981
P2045	TEREL	473224!	P3339	TEREL	470682	P4802	ITM	223542	P6378	ITM	1992
P213587	KRSE	470605!	P3348	ITM	471870!	P4802	ITM	35X55X11!	P6387	ITM	222510
P2171	ITM	1086*=	P3385	TEREL	413247!	P49483	WABCO	240009	P6387	ITM	25X35X7!
P2180	TEREL	473446	P34195	JOHND	415995!	P494832	WABCO	240414	P6428	ITM	224820
P2183	TEREL	472397!	P3446	ITM	224040	P4949	ITM	42X55X8!	P6428	ITM	48X62X8!
P2202	ITM	1994	P3446	ITM	40X60X10!	P4954	ITM	1213N	P6430	ITM	1196
P2202	ITM	48X70X9!	P3462	TEREL	476470	P497	PORTR	415047	P6471	ITM	1170
P22351	JOHND	411245!	P3485	ITM	226020	P51322	PACIF	417357	P6472	ITM	32X58X8!
P2269	TEREL	413246	P3485	ITM	60X80X8!	P51418	PACIF	415379	P6478	ITM	1167
P2343	TEREL	473238!	P3486	ITM	1163=	P51898	PACIF	470898	P6492	ITM	1955
P2360	TEREL	471272!	P3487	ITM	224045	P5339	MASSE	473214	P6492	ITM	52X65X9!
P2374	TEREL	472179	P3487	ITM	40X62X12!	P5364Z	WITTE	472439	P6500	ITM	473823
P2387	TEREL	471692!	P3494	ITM	340823	P6085	ITM	1180	P6502	ITM	1213N

ALPHABETICAL INTERCHANGE

! Industrial Size/Type * Minor Width Difference

= The U.S. customer service number is 877-4-TIMKEN. The Canadian customer service numbers are 800-565-4927 (English) and 800-565-0438 (French-Canadian).

Mfr. No.	Name	Zero Duplication or Recommended Industrial	Mfr. No.	Name	Zero Duplication or Recommended Industrial	Mfr. No.	Name	Zero Duplication or Recommended Industrial	Mfr. No.	Name	Zero Duplication or Recommended Industrial
P6505	ITM	228020	PB4399	WABCO	417608	PH270A	STN-S	471264	PR1045	ITM	353132
P6505	ITM	80X105X13!	PB4665	CATER	455310	PH270A	WISCO	471264	PR1049	ITM	7107A=
P6525	ITM	2551	PB4665	WABCO	455310	PH272A	WISCO	471689!	PR1052	ITM	471442!
P6534	ITM	1173	PBB77497B	FORD	424	PH278	CASE	417316!	PR1057	ITM	351487
P6536	ITM	1188	PBN7048A	FORD	415988	PH278	WISCO	417316!	PR1065	ITM	474277
P6585	ITM	1953	PC1571	CLARK	416167!	PH280	STN-S	473426	PR1067	ITM	471526!
P6585	ITM	42X60X7!	PC173	CLARK	416706	PH280	WISCO	473426	PR1070	ITM	471526!
P6586	ITM	3771	PC1731	CLARK	416167!	PH283	STN-S	240119	PR1072	ITM	471526!
P6606	BU-SP	416892!	PC173A	CLARK	417344!	PH283	WISCO	240119	PR1075	ITM	471281!
P6671	ITM	1950	PC2191	CLARK	55539=	PH284	WISCO	472572!	PR1076	ITM	415458!
P66851	VIC	2000	PD1039	WABCO	415124	PH285	WISCO	471529	PR1078	ITM	471466!
P66851	VIC	224235	PD16624	MASSE	471760	PH292	WISCO	471571	PR1079	ITM	415234!
P66851	VIC	42X58X7!	PEC1432	FORD	203013	PH299	CASE	473227	PR1082	ITM	416921!
P6800	BU-SP	415072	PEC1477	FORD	291099	PH299	COC	473227	PR1083	ITM	455151
P6881	BU-SP	415551	PEO9521	FORD	472164!	PH299	WISCO	473227	PR1086	ITM	471466!
P70305	ALLCH	472397!	PG175	ITM	223620	PH327	WISCO	471870!	PR1092	ITM	415234!
P7923	ITM	224020	PGF10435	AU-WS	473467!	PH344	WISCO	471821!	PR1093	ITM	40576S
P7923	ITM	40X55X8!	PGF2788	AU-WS	417205!	PH364	WISCO	471862	PR1094	ITM	471766!
P7950	ITM	1165	PGF2794	AU-WS	416891!	PH374	WISCO	450129	PR1095	ITM	471766!
P7951	ITM	1217	PGF2872	AU-WS	472924!	PH374	WISCO	472826!	PR1096	ITM	471766!
P7953	ITM	1969	PGF2992	AU-WS	470530!	PH378	WISCO	473213!	PR1100	ITM	473450!
P7953	ITM	48X63X9!	PGF3062	AU-WS	473463	PH382	WISCO	472397!	PR1104	ITM	471766!
P7954	ITM	1962	PGF3216	AU-WS	472636!	PH382A	WISCO	472397!	PR1112	ITM	416738!
P7955	ITM	1949	PGF3216A	AU-WS	472636!	PH391	WISCO	470530!	PR1118	ITM	470954!
P7959	ITM	1128	PGF4373	AU-WS	417488!	PH451	WISCO	6936S	PR1123	ITM	481537
P7962	ITM	1952	PGF4511	AU-WS	415449!	PH529	WISCO	471737	PR1127	ITM	472394
P7963	ITM	1953	PGF4619	AU-WS	470605!	PH557-A	WISCO	8597S	PR1128	ITM	472394
P7963	ITM	42X60X7!	PGF4921	AU-WS	415960	PK524	AM BO	471532	PR1130	ITM	470954!
P7967	ITM	1960	PGF4922	AU-WS	472409	PK524U	AM BO	471532	PR1132	ITM	470954!
P7968	ITM	1956	PGF5240	AU-WS	5971	PL379	CONTI	471224!	PR1134	ITM	470954!
P7972	ITM	1974	PGF5240A	AU-WS	5971	PM200322	JOHND	200322	PR1137	ITM	5801=
P7976	ITM	473238!	PGF5240B	AU-WS	5971	PM200886	JOHND	200886	PR1138	ITM	472439
P7979	ITM	1012	PGF6023	AU-WS	472179	PM203029	JOHND	203029	PR1139	ITM	470954
P7979	ITM	1012N	PGF6024	AU-WS	415449!	PM204005	JOHND	204005	PR1140	ITM	470954!
P7985	ITM	1012	PGF6024A	AU-WS	415449!	PM204013	JOHND	204013	PR1142	ITM	470954!
P7985	ITM	1012N	PGF6050	AU-WS	415036	PM204035	JOHND	204035	PR1143	ITM	470954!
P7985	ITM	45X62X8!	PGF8089	AU-WS	412040	PM204500	JOHND	204500!	PR1144	ITM	473179!
P7987	ITM	1996	PGF8447	AU-WS	416921!	PM204506	JOHND	204506!	PR1145	ITM	45637S
P7989	ITM	482126	PGF8486	AU-WS	471554!	PM204507	JOHND	204507!	PR1146	ITM	470954!
P7M9697	CATER	473447	PGF8611	AU-WS	450133	PM240319	JOHND	240319	PR1148	ITM	470954!
P80179KE	PARK	471271!	PGF8612	AU-WS	470605!	PM2893	F-R-H	471341!	PR1150	ITM	470601
P96184	KRSE	415458!	PGF8764	AU-WS	472924!	PM3341	TW-DI	470530=	PR1152	ITM	5976S
P970	PORTR	476470	PGF8809	AU-WS	412040	PM415259	JOHND	415259!	PR1153	ITM	340850
P971	PORTR	415995!	PGF8809A	B-L-H	412040	PMB7657A	FORD	7300S	PR1154	ITM	254287!
P975	PORTR	415138!	PGF8839	AU-WS	473440!	PMB7657A1	FORD	7300S	PR1155	ITM	254287!
P977	PORTR	415196!	PGF8839A	AU-WS	473440!	PMB7657A3	FORD	7300S	PR1156	ITM	254287!
PA1099	IDECO	417603!	PGF8840	AU-WS	471141!	PMB7657B3	FORD	7300S	PR1157	ITM	473467
PA1099	INTDE	417603!	PGF8840A	AU-WS	471141!	PMRD2000	JOHND	RD2000	PR1158	ITM	473440!
PA117	ALLCH	471341!	PGF8857	AU-WS	473224!	PO1	ATP	471827	PR1163	ITM	413469!
PA1188	INTDE	416666	PGF8857A	AU-WS	473224!	PO2	ATP	470898!	PR1165	ITM	480821!
PA1189	IDECO	455480!	PGF8857A	CLARK	473224!	PO5653M	VIC	415379	PR1166	ITM	342517
PA1189	INTDE	455480!	PGF8861	AU-WS	450472!	PO9635M	VIC	417621!	PR1171	ITM	411253!
PA1229	IDECO	415138!	PGF8861A	AU-WS	450472!	PO9781M	DANA	415995!	PR1173	ITM	473416
PA1229	INTDE	415138!	PGF8940	AU-WS	330385	PP1296	ALTFO	40389S	PR1174	ITM	473462
PA1675	INTDE	415116	PGF8941	AU-WS	340771	PP347	ALTFO	415449!	PR1175	ITM	5778
PA2108	MINNM	470625!	PGF8946	AU-WS	472311!	PP393	ALTFO	415995!	PR1182	ITM	471316
PA2467	INTDE	415066	PGF8998	AU-WS	472354!	PP624	ALTFO	476470	PR1183	ITM	5756
PA303	ATHEY	450054	PGF9124	AU-WS	472636!	PP650	ALTFO	415072	PR1185	ITM	410190
PA3709	AM CH	450040	PGF9192	AU-WS	417487	PR1004	ITM	5751	PR1189	ITM	470898
PA3710	AM CH	473214!	PGF9736	AU-WS	473228	PR1007	ITM	350364	PR1192	ITM	472452
PA42218	ROCKW	412871!	PGF9736A	AU-WS	473228	PR1008	ITM	240385	PR1194	ITM	471267
PA489	IDECO	415035	PH0155	RACIN	450188	PR1011	ITM	330385!	PR1195	ITM	471267!
PA489	IDECO	415035!	PH15	CALSO	204038	PR1018	ITM	330385!	PR1196	ITM	7600S
PA767	IDECO	415725!	PH200B	WISCO	40337S	PR1023	ITM	455134!	PR1199	ITM	5836
PA861	MINNM	473228	PH234A	STN-S	471554!	PR1026	ITM	415041	PR1201	ITM	470354
PA988	IDECO	415128	PH234A	WISCO	471554!	PR1029	HU-WR	412943	PR1202	ITM	471267!
PA988	INTDE	415128	PH264	WISCO	471224!	PR1030	ITM	370036A	PR1204	ITM	471267!
PB0167	WABCO	471760	PH264A	WISCO	471224!	PR1031	ITM	473229!	PR1206	ITM	340787
PB1039	WABCO	415124	PH265	WISCO	470712!	PR1037	ITM	455336	PR1208	ITM	40369S
PB3096	WABCO	710028	PH265A	WISCO	470712!	PR1039	ITM	350156	PR1210	ITM	40286
PB425	HART	480210!	PH269	CASE	472179	PR1039	ITM	473096	PR1214	ITM	472311!
PB426	HART	451583!	PH269	WISCO	472179	PR1044	ITM	330699	PR1219	ITM	5790=

! Industrial Size/Type

= The U.S. customer service number is 877-4-TIMKEN. The Canadian customer service numbers are 800-565-4927 (English) and 800-565-0438 (French-Canadian).

Mfr. No.	Name	Zero Duplication or Recommended Industrial	Mfr. No.	Name	Zero Duplication or Recommended Industrial	Mfr. No.	Name	Zero Duplication or Recommended Industrial	Mfr. No.	Name	Zero Duplication or Recommended Industrial
PR1220	ITM	471224!	PR1369	ITM	472951	PR1529	ITM	471835!	PR1718	ITM	473231!
PR1221	ITM	472179	PR1369	ITM	474252	PR1530	ITM	.6362=	PR1721	ITM	473237!
PR1223	ITM	471564	PR1372	ITM	6064	PR1532	ITM	417172	PR1725	ITM	471818
PR1226	ITM	474253	PR1374	ITM	415960	PR1533	ITM	474253	PR1729	ITM	471821!
PR1227	ITM	471570!	PR1375	ITM	471688	PR1538	ITM	472258!	PR1731	ITM	473445
PR1234	ITM	471570!	PR1376	ITM	471689!	PR1540	ITM	471192	PR1732	ITM	471504
PR1235	ITM	410737!	PR1378	ITM	471831!	PR1545	ITM	474276!	PR1736	ITM	451817
PR1237	ITM	473473	PR1379	ITM	472636!	PR1546	ITM	473313!	PR1751	ITM	471570!
PR1238	ITM	415449!	PR1380	ITM	417172	PR1547	ITM	481163!	PR1758	ITM	473214!
PR1239	ITM	472409!	PR1381	ITM	471689!	PR1548	ITM	481163!	PR1760	ITM	473226
PR1240	ITM	471224!	PR1383	ITM	473459	PR1549	ITM	416476!	PR1764	ITM	473228!
PR1242	ITM	411330	PR1384	ITM	471689!	PR1551	ITM	471413!	PR1772	ITM	473229!
PR1245	ITM	471224!	PR1385	ITM	450467	PR1554	ITM	.6358	PR1773	ITM	473229!
PR1253	ITM	5924	PR1387	ITM	471689!	PR1559	ITM	471192	PR1779	ITM	473229!
PR1255	ITM	410737!	PR1390	ITM	471689!	PR1561	ITM	416444	PR1781	ITM	472164!
PR1257	ITM	471224!	PR1391	ITM	472016!	PR1562	ITM	417491	PR1782	ITM	472164!
PR1258	ITM	410308!	PR1392	ITM	471413	PR1570	ITM	.1077=	PR1783	ITM	472164!
PR1258	ITM	473468	PR1395	ITM	473203	PR1571	ITM	471619!	PR1788	ITM	472164!
PR1259	ITM	410987!	PR1396	ITM	471619!	PR1572	ITM	7600S	PR1790	ITM	473454
PR1261	ITM	340815	PR1397	ITM	471413	PR1576	ITM	471785!	PR1792	ITM	471195!
PR1263	ITM	417481	PR1400	ITM	417267	PR1577	ITM	471785!	PR1810	ITM	470682
PR1268	ITM	472287!	PR1402	ITM	472636!	PR1580	ITM	350942	PR1817	ITM	472185!
PR1269	ITM	471270!	PR1404	ITM	450593!	PR1582	ITM	471787!	PR1823	ITM	472439
PR1271	ITM	240151	PR1405	ITM	417621!	PR1583	ITM	412871!	PR1824	ITM	471424!
PR1273	ITM	472560N!	PR1406	ITM	415437	PR1584	ITM	473463	PR1834	ITM	471868
PR1275	ITM	473234!	PR1408	ITM	471141!	PR1585	ITM	415085!	PR1836	ITM	471870!
PR1278	ITM	473215!	PR1410	ITM	416282	PR1585	ITM	456648	PR1840	ITM	450765!
PR1281	ITM	481864	PR1413	ITM	416125!	PR1589	ITM	471787!	PR1841	ITM	323119
PR1284	ITM	450065	PR1419	ITM	476838!	PR1590	ITM	417316!	PR1843	ITM	323119
PR1293	ITM	471647	PR1420	ITM	476838!	PR1592	ITM	450122=	PR1846	ITM	474272
PR1297	ITM	472560N!	PR1421	ITM	412119!	PR1593	ITM	484054	PR1847	ITM	473440!
PR1298	ITM	471413!	PR1422	ITM	415060	PR1594	ITM	415697!	PR1856	ITM	472179
PR1300	ITM	471651	PR1422	ITM	455060	PR1594	ITM	455547	PR1857	ITM	472572!
PR1302	ITM	43071S	PR1423	ITM	473425	PR1595	ITM	484054	PR1860	ITM	473241
PR1303	ITM	471651	PR1426	ITM	42763	PR1596	ITM	6760S	PR1861	ITM	472492!
PR1305	ITM	471827!	PR1428	ITM	323138!	PR1599	ITM	470774!	PR1862	ITM	472492!
PR1306	ITM	471652	PR1433	ITM	418028	PR1603	ITM	3395!	PR1863	ITM	472492!
PR1308	ITM	471820	PR1433	ITM	455137!	PR1603	ITM	352444	PR1865	ITM	331107N
PR1311	ITM	471643!	PR1435	ITM	471103!	PR1606	ITM	7537S	PR1868	ITM	473204
PR1312	ITM	471643!	PR1451	ITM	474264	PR1611	ITM	474279N	PR1879	ITM	473444!
PR1314	ITM	471643!	PR1453	ITM	471735	PR1612	ITM	471795	PR1883	ITM	473238!
PR1316	ITM	481644	PR1457	ITM	470950!	PR1613	ITM	416297	PR1884	ITM	473238!
PR1318	ITM	471646!	PR1457	ITM	6241S	PR1614	ITM	471795	PR1885	ITM	472144!
PR1319	ITM	471646!	PR1458	ITM	470712!	PR1615	ITM	471795	PR1886	ITM	472924!
PR1320	ITM	474264	PR1459	ITM	470712!	PR1617	ITM	450666	PR1887	ITM	472924!
PR1321	ITM	6324S=	PR1460	ITM	470712!	PR1618	ITM	473211!	PR1888	ITM	451948
PR1326	ITM	472705!	PR1461	ITM	471466!	PR1620	ITM	410308	PR1899	ITM	410989
PR1330	ITM	471649!	PR1469	ITM	471737	PR1624	ITM	.6781	PR1899	ITM	470989
PR1331	ITM	471649!	PR1473	ITM	55687=	PR1625	ITM	471192	PR1902	ITM	471984
PR1332	ITM	473215!	PR1474	ITM	472354!	PR1626	ITM	471192	PR1903	ITM	471984
PR1333	ITM	473211!	PR1475	ITM	472354!	PR1630	ITM	473224!	PR1906	ITM	7044NA
PR1334	ITM	470625!	PR1476	ITM	412119!	PR1643	ITM	472070	PR1907	ITM	473239!
PR1337	ITM	471787!	PR1482	ITM	450776!	PR1644	ITM	44052	PR1908	ITM	473239!
PR1339	ITM	471652	PR1493	ITM	410190	PR1651	ITM	474255	PR1911	ITM	472394
PR1340	ITM	6626S	PR1495	ITM	455024	PR1652	ITM	471801!	PR1912	ITM	472394
PR1343	ITM	415995!	PR1501	ITM	471760	PR1653	ITM	471801!	PR1914	ITM	472394
PR1343	ITM	415995!	PR1503	ITM	416865!	PR1661	ITM	50468	PR1915	ITM	410308!
PR1344	ITM	50491=	PR1504	ITM	471762!	PR1666	ITM	343098	PR1915	ITM	473468
PR1346	ITM	417316!	PR1506	ITM	471763	PR1667	ITM	470625!	PR1916	ITM	472397!
PR1349	ITM	8059S	PR1508	ITM	414268!	PR1669	ITM	470625!	PR1917	ITM	472397!
PR1353	ITM	415001!	PR1511	ITM	471765!	PR1679	ITM	450400	PR1918	ITM	472492!
PR1356	ITM	474260	PR1512	ITM	471765!	PR1681	ITM	471808!	PR1921	ITM	330385!
PR1358	ITM	470328	PR1513	ITM	471765!	PR1690	ITM	7044NA	PR1924	ITM	473467
PR1358	ITM	481213!	PR1514	ITM	40769S	PR1696	ITM	482126	PR1927	ITM	471272!
PR1361	ITM	474278	PR1515	ITM	417485	PR1701	ITM	42081S!	PR1928	ITM	471272!
PR1361	ITM	50356=	PR1518	ITM	410694!	PR1703	ITM	473215!	PR1929	ITM	470605!
PR1363	ITM	473367	PR1519	ITM	240356	PR1704	ITM	473215!	PR1930	ITM	472397!
PR1365	ITM	471684!	PR1522	ITM	6635S	PR1707	ITM	473231!	PR1931	ITM	471272!
PR1366	ITM	471337	PR1524	ITM	415025	PR1710	ITM	473231!	PR1932	ITM	471272!
PR1367	ITM	472951	PR1525	ITM	471272!	PR1713	ITM	473237!	PR1933	ITM	471272!
PR1367	ITM	474252	PR1527	ITM	5403	PR1714	ITM	473237!	PR1934	ITM	473241
PR1368	ITM	470898	PR1528	ITM	5401	PR1717	ITM	473237!	PR1937	ITM	470764!

ALPHABETICAL INTERCHANGE

! Industrial Size/Type

= The U.S. customer service number is 877-4-TIMKEN. The Canadian customer service numbers are 800-565-4927 (English) and 800-565-0438 (French-Canadian).

Zero Duplication or Recommended Industrial		Zero Duplication or Recommended Industrial		Zero Duplication or Recommended Industrial		Zero Duplication or Recommended Industrial					
Mfr. No.	Name	Mfr. No.	Name	Mfr. No.	Name	Mfr. No.	Name				
PR1937	ITM	50764	PR2086	ITM	413248	PR2243	ITM	470605!	PR2376	ITM	476470
PR1938	ITM	471341!	PR2087	ITM	470334!	PR2244	ITM	470605!	PR2377	ITM	471192
PR1939	ITM	470764!	PR2088	ITM	450104	PR2245	ITM	2503	PR2381	ITM	416292
PR1939	ITM	50764	PR2092	ITM	415984!	PR2245	ITM	2503N	PR2384	ITM	484054
PR1941	ITM	40555	PR2093	ITM	417082	PR2246	ITM	415449!	PR2386	ITM	476470
PR1941	ITM	40555S!	PR2095	ITM	473466	PR2247	ITM	411376!	PR2387	ITM	415082
PR1945	ITM	410308!	PR2096	ITM	412473!	PR2249	ITM	473235!	PR2390	ITM	476838!
PR1945	ITM	473468	PR2097	ITM	471733	PR2253	ITM	470954!	PR2396	ITM	415043
PR1951	ITM	470565!	PR2099	ITM	415449!	PR2257	ITM	417433!	PR2398	ITM	50149
PR1952	ITM	471138!	PR2100	ITM	411376!	PR2258	ITM	417355!	PR2399	ITM	415995!
PR1953	ITM	472150	PR2101	ITM	417344!	PR2259	ITM	5405	PR2399	ITM	415995!
PR1958	ITM	43290S	PR2102	ITM	417967!	PR2262	ITM	5408	PR2401	ITM	472311!
PR1965	ITM	482267	PR2105	ITM	471564	PR2263	ITM	417343!	PR2402	ITM	1037
PR1968	ITM	226020	PR2106	ITM	471766!	PR2264	ITM	417316!	PR2404	ITM	417171!
PR1968	ITM	60X80X8!	PR2107	ITM	471567!	PR2267	ITM	417316!	PR2407	ITM	417490
PR1978	ITM	473464	PR2108	ITM	413246	PR2270	ITM	455005	PR2409	ITM	417491
PR1981	ITM	330385!	PR2111	ITM	412473!	PR2272	ITM	474264	PR2410	ITM	472164!
PR1985	ITM	471887	PR2112	ITM	471763	PR2274	ITM	471862	PR2411	ITM	5976S
PR1986	ITM	472029	PR2114	ITM	415449!	PR2276	ITM	417349	PR2414	ITM	416624!
PR1988	ITM	473243	PR2115	ITM	416921!	PR2277	ITM	417349!	PR2415	ITM	412920!
PR1989	ITM	473245!	PR2116	ITM	415449!	PR2278	ITM	417349!	PR2416	ITM	416624!
PR1990	ITM	472636!	PR2121	ITM	472492!	PR2279	ITM	417349	PR2419	ITM	417356!
PR1993	ITM	472636!	PR2122	ITM	471271!	PR2280	ITM	417349!	PR2421	ITM	55329=
PR1998	ITM	471271!	PR2127	ITM	470898	PR2283	ITM	6532S=	PR2423	ITM	416624!
PR1999	ITM	471271!	PR2128	ITM	416404!	PR2286	ITM	455280	PR2425	ITM	416624!
PR2002	ITM	415150!	PR2131	ITM	415302	PR2287	ITM	415371	PR2427	ITM	456744N
PR2003	ITM	417343!	PR2132	ITM	416891!	PR2288	ITM	456618	PR2431	ITM	415138!
PR2005	ITM	416666	PR2134	ITM	417549!	PR2289	ITM	6754S=	PR2436	ITM	471413!
PR2006	ITM	415645!	PR2135	ITM	415483	PR2290	ITM	415007	PR2438	ITM	351487
PR2007	ITM	417196!	PR2136	ITM	415483	PR2293	ITM	417316!	PR2442	ITM	415088
PR2008	ITM	456105	PR2137	ITM	415449!	PR2294	ITM	415960	PR2443	ITM	415088
PR2009	ITM	473423	PR2139	ITM	455434	PR2296	ITM	415960!	PR2444	ITM	415088
PR2010	ITM	471553!	PR2140	ITM	416664!	PR2302	ITM	471570!	PR2445	ITM	455356
PR2013	ITM	51032S	PR2143	ITM	416664!	PR2310	ITM	415254	PR2447	ITM	415088
PR2021	ITM	5487	PR2145	ITM	240731	PR2312	ITM	473203	PR2447	ITM	415088!
PR2029	ITM	473426	PR2147	ITM	8421S	PR2317	ITM	455655!	PR2449	ITM	415088!
PR2030	ITM	254270	PR2148	ITM	240414	PR2320	ITM	415001!	PR2449	ITM	415088
PR2032	ITM	412943	PR2150	ITM	473237!	PR2325	ITM	471141!	PR2450	ITM	415088
PR2033	ITM	8059S	PR2151	ITM	340210	PR2326	ITM	416921!	PR2452	ITM	5865
PR2035	ITM	471750!	PR2156	ITM	451182	PR2328	ITM	480630!	PR2456	ITM	455310
PR2036	ITM	412119!	PR2157	ITM	473214!	PR2330	ITM	472164!	PR2457	ITM	416229
PR2037	ITM	417484!	PR2161	ITM	416024	PR2331	ITM	415995!	PR2461	ITM	415072
PR2038	ITM	5481	PR2165	ITM	412861	PR2331	ITM	415995!	PR2462	ITM	417191
PR2042	ITM	410694!	PR2169	ITM	471689!	PR2332	ITM	415995!	PR2463	ITM	415437
PR2043	ITM	472018	PR2170	ITM	417073	PR2332	ITM	415995!	PR2463	ITM	415437!
PR2044	ITM	340835	PR2174	ITM	240151	PR2334	ITM	415995!	PR2467	ITM	417542
PR2045	ITM	471801!	PR2176	ITM	415001!	PR2336	ITM	416404!	PR2468	ITM	417492
PR2050	ITM	417507	PR2183	ITM	6863S!	PR2338	ITM	416404!	PR2469	ITM	415991!
PR2050	ITM	417507!	PR2184	ITM	5458	PR2339	ITM	417433!	PR2469	ITM	415991
PR2052	ITM	410496!	PR2189	ITM	472409!	PR2340	ITM	417433!	PR2471	ITM	471271!
PR2053	ITM	410496!	PR2190	ITM	472492!	PR2341	ITM	417433!	PR2474	ITM	55246=
PR2054	ITM	410496!	PR2194	ITM	471076	PR2352	ITM	473243	PR2477	ITM	415983N!
PR2055	ITM	471529	PR2197	ITM	415303!	PR2353	ITM	415138!	PR2479	ITM	415303!
PR2058	ITM	410102	PR2198	ITM	227040	PR2355	ITM	417621!	PR2481	ITM	416404!
PR2059	ITM	470380!	PR2198	ITM	70X90X10!	PR2356	ITM	417621	PR2482	ITM	416154!
PR2060	ITM	1167	PR2200	ITM	3392	PR2360	ITM	343105	PR2483	ITM	415088
PR2061	ITM	1167	PR2202	ITM	3392	PR2360	ITM	7399S!	PR2484	ITM	473228!
PR2063	ITM	472164!	PR2210	ITM	451143	PR2361	ITM	473010!	PR2485	ITM	417354!
PR2064	ITM	416154!	PR2211	ITM	340787	PR2363	ITM	415442!	PR2486	ITM	7840S
PR2065	ITM	471765!	PR2217	ITM	8168=	PR2363	ITM	55442	PR2487	ITM	417354!
PR2066	ITM	471868	PR2219	ITM	416273	PR2365	ITM	417487!	PR2488	ITM	415483
PR2067	ITM	413247!	PR2223	ITM	6241S	PR2365	ITM	417487	PR2489	ITM	455434
PR2069	ITM	473231!	PR2224	ITM	8133S	PR2367	ITM	417487!	PR2490	ITM	3395!
PR2070	ITM	450133	PR2225	ITM	415988	PR2367	ITM	417487	PR2490	ITM	352444
PR2073	ITM	413247!	PR2226	ITM	5406	PR2368	ITM	450143	PR2491	ITM	471785!
PR2075	ITM	471281!	PR2227	ITM	343105	PR2369	ITM	417487!	PR2493	ITM	417493
PR2076	ITM	413247!	PR2227	ITM	7399S!	PR2369	ITM	417487	PR2494	ITM	415711
PR2077	ITM	413247!	PR2229	ITM	340210	PR2370	ITM	471554!	PR2495	ITM	55646=
PR2079	ITM	413478	PR2230	ITM	415458!	PR2371	ITM	416288!	PR2496	ITM	455858
PR2080	ITM	450400	PR2231	ITM	7392S=	PR2373	ITM	476470!	PR2500	ITM	416332!
PR2081	ITM	472560N!	PR2238	ITM	200851	PR2374	ITM	476470	PR2502	ITM	472951
PR2082	ITM	470605!	PR2241	ITM	413478	PR2375	ITM	476470	PR2502	ITM	474252

! Industrial Size/Type

= The U.S. customer service number is 877-4-TIMKEN. The Canadian customer service numbers are 800-565-4927 (English) and 800-565-0438 (French-Canadian).

Mfr. No.	Name	Zero Duplication or Recommended Industrial	Mfr. No.	Name	Zero Duplication or Recommended Industrial	Mfr. No.	Name	Zero Duplication or Recommended Industrial	Mfr. No.	Name	Zero Duplication or Recommended Industrial
PR2507	ITM	417211!	PR2648	ITM	471224!	PR2772	ITM	455203	PR2876	ITM	473232!
PR2510	ITM	5965	PR2649	ITM	415142	PR2773	ITM	416137	PR2877	ITM	476842
PR2512	ITM	471689!	PR2650	ITM	455194	PR2774	ITM	416137	PR2879	ITM	412473!
PR2513	ITM	473237!	PR2653	ITM	353131	PR2775	ITM	472164!	PR2887	ITM	471255!
PR2516	ITM	456305	PR2653	ITM	471231!	PR2777	ITM	416137	PR2889	ITM	417546!
PR2518	ITM	415379	PR2654	ITM	471413!	PR2778	ITM	471224!	PR2890	ITM	415035
PR2521	ITM	415937!	PR2656	ITM	471267!	PR2779	ITM	416321	PR2891	ITM	417358
PR2522	ITM	417501	PR2657	ITM	416556!	PR2780	ITM	416149	PR2892	ITM	470530!
PR2524	ITM	415379	PR2657	ITM	472157	PR2781	ITM	473475	PR2893	ITM	200640
PR2526	ITM	471442!	PR2664	ITM	470380!	PR2782	ITM	416149	PR2895	ITM	452222!
PR2527	ITM	450482	PR2667	ITM	6985	PR2784	ITM	417356!	PR2896	ITM	417551
PR2530	ITM	416339	PR2668	ITM	471984	PR2785	ITM	473236!	PR2899	ITM	472070
PR2531	ITM	474281!	PR2670	ITM	473227!	PR2786	ITM	416149	PR2901	ITM	472924!
PR2535	ITM	457294	PR2673	ITM	473464	PR2787	ITM	472258!	PR2906	ITM	473214
PR2536	ITM	473213!	PR2675	ITM	415958	PR2788	ITM	470954!	PR2908	ITM	417541
PR2537	ITM	457294	PR2677	ITM	323126	PR2791	ITM	416154!	PR2909	ITM	417541
PR2538	ITM	457294	PR2677	ITM	474278	PR2792	ITM	416154!	PR2910	ITM	410708
PR2540	ITM	450400	PR2678	ITM	415425	PR2793	ITM	416154!	PR2911	ITM	417344!
PR2541	ITM	473238!	PR2680	ITM	415035	PR2797	ITM	416154!	PR2912	ITM	418029!
PR2542	ITM	471267!	PR2682	ITM	481443!	PR2798	ITM	417534	PR2914	ITM	473228
PR2543	ITM	455032!	PR2688	ITM	471138!	PR2800	ITM	471766!	PR2915	ITM	473215!
PR2545	ITM	455820	PR2689	ITM	417514	PR2801	ITM	416158	PR2916	ITM	415458!
PR2547	ITM	417494	PR2690	ITM	415036	PR2802	ITM	472319	PR2917	ITM	415437
PR2548	ITM	415001!	PR2691	ITM	417247!	PR2803	ITM	6815	PR2919	ITM	417351!
PR2549	ITM	417205!	PR2692	ITM	415036	PR2804	ITM	416158	PR2920	ITM	472015!
PR2558	ITM	455008	PR2694	ITM	455037	PR2806	ITM	350936	PR2921	ITM	471264!
PR2560	ITM	415021	PR2696	ITM	471870!	PR2807	ITM	451857	PR2923	ITM	411394!
PR2562	ITM	415035	PR2697	ITM	471766!	PR2808	ITM	471504	PR2924	ITM	415379
PR2563	ITM	415027	PR2698	ITM	417513	PR2809	ITM	470380!	PR2925	ITM	210945
PR2564	ITM	415035	PR2699	ITM	416891!	PR2809	ITM	472189A!	PR2926	ITM	415379
PR2570	ITM	416339	PR2700	ITM	417554!	PR2810	ITM	473231!	PR2927	ITM	412473!
PR2572	ITM	416339	PR2701	ITM	473464	PR2811	ITM	240698	PR2928	ITM	415991
PR2574	ITM	417344!	PR2702	ITM	455197N	PR2812	ITM	6547	PR2928	ITM	415991!
PR2575	ITM	415284	PR2703	ITM	473010!	PR2813	ITM	410987!	PR2929	ITM	472179
PR2577	ITM	416339	PR2704	ITM	416380!	PR2814	ITM	451078!	PR2930	ITM	417547
PR2577	ITM	455031!	PR2705	ITM	470088	PR2815	ITM	200642	PR2932	ITM	412920!
PR2578	ITM	417316	PR2706	ITM	455079!	PR2816	ITM	410737!	PR2934	ITM	417354!
PR2579	ITM	416339	PR2707	ITM	416380!	PR2820	ITM	416167!	PR2935	ITM	415645!
PR2580	ITM	415187	PR2708	ITM	415196!	PR2821	ITM	416167!	PR2935	ITM	455104
PR2581	ITM	415035	PR2709	ITM	471649!	PR2823	ITM	474253	PR2937	ITM	417350!
PR2582	ITM	416345!	PR2710	ITM	473214!	PR2824	ITM	417539!	PR2938	ITM	470712!
PR2585	ITM	417495	PR2711	ITM	415991	PR2825	ITM	353131	PR2940	ITM	417254
PR2586	ITM	415035	PR2711	ITM	415991!	PR2825	ITM	471231!	PR2942	ITM	415938
PR2587	ITM	471795	PR2712	ITM	415991	PR2826	ITM	412920!	PR2943	ITM	416271!
PR2588	ITM	415035	PR2712	ITM	415991!	PR2827	ITM	415725!	PR2944	ITM	417546!
PR2589	ITM	471649!	PR2713	ITM	473214!	PR2828	ITM	415449!	PR2945	ITM	417495
PR2590	ITM	470682	PR2715	ITM	416888!	PR2829	ITM	473240!	PR2946	ITM	415938
PR2593	ITM	415035	PR2717	ITM	417344!	PR2830	ITM	471231!	PR2947	ITM	415938
PR2595	ITM	415035	PR2719	ITM	415437	PR2831	ITM	471567!	PR2948	ITM	417360
PR2597	ITM	417344!	PR2721	ITM	473231!	PR2833	ITM	416267!	PR2950	ITM	417555!
PR2606	ITM	417495	PR2724	ITM	416149	PR2836	ITM	416130!	PR2951	ITM	417555!
PR2607	ITM	417316!	PR2726	ITM	415995!	PR2837	ITM	417353!	PR2956	ITM	480630!
PR2609	ITM	470380!	PR2726	ITM	415995!	PR2842	ITM	417522	PR2960	ITM	417542
PR2609	ITM	472189A!	PR2728	ITM	472492!	PR2843	ITM	416070	PR2961	ITM	417542
PR2612	ITM	416706!	PR2730	ITM	471689!	PR2844	ITM	417252	PR2963	ITM	471787!
PR2613	ITM	470898	PR2731	ITM	473454	PR2845	ITM	471272!	PR2964	ITM	481568!
PR2618	ITM	480210!	PR2732	ITM	416153!	PR2848	ITM	416557	PR2965	ITM	417549!
PR2622	ITM	416888!	PR2740	ITM	416135!	PR2853	ITM	450412	PR2966	ITM	416664!
PR2623	ITM	470625!	PR2741	ITM	416345!	PR2854	ITM	415351!	PR2969	ITM	476470
PR2624	ITM	416327	PR2742	ITM	415045!	PR2856	ITM	415066	PR2970	ITM	417554!
PR2625	ITM	470898	PR2743	ITM	471766!	PR2857	ITM	415066	PR2972	ITM	417554!
PR2626	ITM	416327	PR2744	ITM	471442!	PR2861	ITM	417269!	PR2973	ITM	416288!
PR2628	ITM	455471	PR2745	ITM	415047	PR2863	ITM	417273	PR2974	ITM	481163!
PR2631	ITM	417484!	PR2746	ITM	417525	PR2864	ITM	416865!	PR2975	ITM	55357
PR2632	ITM	415559	PR2747	ITM	417533	PR2865	ITM	416865!	PR2976	ITM	416107!
PR2633	ITM	471689!	PR2749	ITM	415284	PR2866	ITM	416865!	PR2977	ITM	472354!
PR2634	ITM	415559	PR2751	ITM	415138!	PR2867	ITM	417258	PR2978	ITM	412040
PR2636	ITM	417499	PR2759	ITM	417538	PR2868	ITM	417258	PR2979	ITM	416107!
PR2637	ITM	417499	PR2760	ITM	415711	PR2870	ITM	417262!	PR2980	ITM	417549!
PR2643	ITM	470954	PR2761	ITM	471649!	PR2871	ITM	224015	PR2981	ITM	416107!
PR2644	ITM	472492!	PR2764	ITM	471643!	PR2872	ITM	417262!	PR2983	ITM	417362!
PR2647	ITM	417357	PR2767	ITM	470334!	PR2874	ITM	455008	PR2985	ITM	55392=

ALPHABETICAL INTERCHANGE

! Industrial Size/Type

= The U.S. customer service number is 877-4-TIMKEN. The Canadian customer service numbers are 800-565-4927 (English) and 800-565-0438 (French-Canadian).

Mfr. No.	Name	Zero Duplication or Recommended Industrial	Mfr. No.	Name	Zero Duplication or Recommended Industrial	Mfr. No.	Name	Zero Duplication or Recommended Industrial	Mfr. No.	Name	Zero Duplication or Recommended Industrial
PR2986	ITM	472164	PR3134	ITM	416364!	PR3282	ITM	340815	PR3402	ITM	471281!
PR2989	ITM	417349!	PR3136	ITM	416364!	PR3283	ITM	471466!	PR3412	ITM	417606
PR2992	ITM	417544	PR3137	ITM	416364!	PR3284	ITM	473440!	PR3416	ITM	417608
PR2994	ITM	471141!	PR3138	ITM	470625!	PR3285	ITM	473231!	PR3419	ITM	473238!
PR2995	ITM	472185!	PR3140	ITM	472179	PR3286	ITM	473215!	PR3420	ITM	473423
PR2999	ITM	416666	PR3142	ITM	472572!	PR3287	ITM	55301S	PR3421	ITM	417606
PR3000	ITM	471750!	PR3143	ITM	417298	PR3289	ITM	471466!	PR3435	ITM	417163
PR3001	ITM	473475	PR3145	ITM	417596	PR3290	ITM	471554!	PR3444	ITM	472492!
PR3002	ITM	473444!	PR3150	ITM	50402	PR3291	ITM	471442!	PR3446	ITM	224040
PR3004	ITM	470334!	PR3151	ITM	471760	PR3292	ITM	471554!	PR3446	ITM	40X60X10!
PR3007	ITM	473225!	PR3154	ITM	43076S	PR3293	ITM	471498	PR3452	ITM	470565!
PR3008	ITM	417499	PR3155	ITM	410694!	PR3296	ITM	470606!	PR3453	ITM	472397!
PR3009	ITM	473226	PR3156	ITM	473241	PR3297	ITM	473454	PR3454	ITM	472164!
PR3011	ITM	40154S	PR3157	ITM	412725	PR3298	ITM	415991	PR3456	ITM	470590
PR3014	ITM	473010!	PR3162	ITM	416008	PR3298	ITM	415991!	PR3458	ITM	471192
PR3018	ITM	415683	PR3165	ITM	416239!	PR3300	ITM	416657	PR3460	ITM	473214!
PR3020	ITM	456305	PR3166	ITM	416239!	PR3306	ITM	471255!	PR3461	ITM	473214!
PR3021	ITM	415683	PR3167	ITM	473016!	PR3307	ITM	473425	PR3464	ITM	470354
PR3023	ITM	416476!	PR3168	ITM	472492!	PR3308	ITM	455476	PR3470	ITM	1012
PR3024	ITM	416476!	PR3173	ITM	415867	PR3309	ITM	471504	PR3470	ITM	1012N
PR3025	ITM	417365	PR3174	ITM	415867	PR3310	ITM	470950!	PR3470	ITM	45X62X8!
PR3026	ITM	410102	PR3176	ITM	416077	PR3310	ITM	6241S	PR3474	ITM	1062=
PR3028	ITM	417365	PR3178	ITM	416102	PR3312	ITM	418028!	PR3476	ITM	473228!
PR3031	ITM	455330!	PR3179	ITM	415116	PR3313	ITM	413247!	PR3477	ITM	471795
PR3032	ITM	472299	PR3181	ITM	410987!	PR3314	ITM	417022	PR3479	ITM	471766!
PR3035	ITM	471801!	PR3182	ITM	473367	PR3316	ITM	43089S	PR3481	ITM	472299
PR3036	ITM	470625!	PR3185	ITM	473214!	PR3318	ITM	353120	PR3484	ITM	1208
PR3043	ITM	473231!	PR3186	ITM	471646!	PR3319	ITM	455462	PR3484	ITM	48X72X7!
PR3044	ITM	340724!	PR3189	ITM	471267!	PR3320	ITM	473233!	PR3485	ITM	226020
PR3048	ITM	473228!	PR3193	ITM	472213	PR3323	ITM	471787!	PR3485	ITM	60X80X8!
PR3049	ITM	471195!	PR3194	ITM	473231!	PR3324	ITM	481834	PR3486	ITM	222242
PR3050	ITM	473455!	PR3195	ITM	472311!	PR3326	ITM	413472	PR3487	ITM	224045
PR3052	ITM	471195!	PR3196	ITM	453065	PR3329	ITM	2260	PR3487	ITM	40X62X12!
PR3056	ITM	417191	PR3201	ITM	472070	PR3330	ITM	1167	PR3488	ITM	471504
PR3058	ITM	473454	PR3202	ITM	474274	PR3331	ITM	224252	PR3490	ITM	450593!
PR3060	ITM	473205!	PR3204	ITM	473458!	PR3338	ITM	481481	PR3495	ITM	472164!
PR3062	ITM	471692!	PR3206	ITM	457097=	PR3340	ITM	415090	PR3498	ITM	471224!
PR3063	ITM	55692=	PR3207	ITM	55524	PR3344	ITM	55078S	PR3503	ITM	471413!
PR3066	ITM	472258!	PR3208	ITM	473238!	PR3345	ITM	472572!	PR3504	ITM	471558
PR3067	ITM	410102	PR3209	ITM	471272!	PR3346	ITM	240698	PR3506	ITM	415302
PR3068	ITM	472924!	PR3210	ITM	412027	PR3347	ITM	417073	PR3507	ITM	1077=
PR3070	ITM	471316	PR3213	ITM	415551	PR3348	ITM	471870!	PR3508	ITM	472299
PR3076	ITM	472572!	PR3216	ITM	1184	PR3349	ITM	471526!	PR3509	ITM	473228!
PR3077	ITM	455480!	PR3221	ITM	417598	PR3351	ITM	473454	PR3510	ITM	471224!
PR3080	ITM	415072	PR3224	ITM	455406!	PR3352	ITM	471649!	PR3511	ITM	471192
PR3082	ITM	415294!	PR3228	ITM	471466!	PR3354	ITM	471868	PR3517	ITM	471141!
PR3083	ITM	415294!	PR3230	ITM	416664!	PR3355	ITM	55329=	PR3518	ITM	413248
PR3085	ITM	415294!	PR3231	ITM	417600	PR3356	ITM	471692!	PR3520	ITM	471271!
PR3088	ITM	55108=	PR3233	ITM	473234!	PR3357	ITM	473441	PR3521	ITM	415045!
PR3089	ITM	472439	PR3236	ITM	415138!	PR3359	ITM	330385!	PR3524	ITM	415138!
PR3090	ITM	43078S	PR3237	ITM	470605!	PR3360	ITM	240470	PR3525	ITM	416158
PR3091	ITM	472299	PR3239	ITM	417601	PR3361	ITM	471692!	PR3526	ITM	417584
PR3092	ITM	55108=	PR3242	ITM	343105	PR3364	ITM	473230!	PR3527	ITM	417511
PR3099	ITM	417562	PR3242	ITM	7399S!	PR3366	ITM	417191	PR3530	ITM	415072
PR3102	ITM	1170	PR3250	ITM	472492!	PR3369	ITM	417020	PR3531	ITM	416029N!
PR3108	ITM	471737	PR3251	ITM	474265	PR3370	ITM	417020	PR3532	ITM	416364!
PR3111	ITM	415058	PR3252	ITM	414268!	PR3373	ITM	413472	PR3533	ITM	416239!
PR3113	ITM	470380!	PR3254	ITM	415958	PR3378	ITM	415227!	PR3540	ITM	473016!
PR3114	ITM	415854	PR3259	ITM	473210	PR3379	ITM	417571	PR3547	ITM	470954!
PR3115	ITM	417563	PR3260	ITM	471854!	PR3380	ITM	8996S=	PR3548	ITM	416041
PR3116	ITM	417563	PR3261	ITM	417602!	PR3381	ITM	415991	PR3551	ITM	416135!
PR3117	ITM	451948	PR3262	ITM	417602!	PR3381	ITM	415991!	PR3552	ITM	416332!
PR3118	ITM	1992	PR3263	ITM	471854!	PR3382	ITM	472572!	PR3557	ITM	471870!
PR3119	ITM	417563	PR3264	ITM	470954!	PR3383	ITM	471801!	PR3560	ITM	473227
PR3120	ITM	455480!	PR3267	ITM	415683	PR3385	ITM	470334!	PR3566	ITM	473444!
PR3124	ITM	55108=	PR3269	ITM	412725	PR3386	ITM	471571	PR3568	ITM	471652
PR3125	ITM	472164!	PR3270	ITM	472492!	PR3391	ITM	415871	PR3569	ITM	471211
PR3127	ITM	416229	PR3272	ITM	43078S	PR3392	ITM	471766!	PR3570	ITM	471801!
PR3128	ITM	450639	PR3277	ITM	417602!	PR3395	ITM	415483	PR3571	ITM	416158
PR3130	ITM	473234!	PR3278	ITM	471766!	PR3396	ITM	415066	PR3582	ITM	416394
PR3131	ITM	40337S	PR3279	ITM	330385!	PR3398	ITM	471354!	PR3586	ITM	417605
PR3133	ITM	470625!	PR3281	ITM	471224!	PR3399	ITM	471649!	PR3588	ITM	416257

! Industrial Size/Type

= The U.S. customer service number is 877-4-TIMKEN. The Canadian customer service numbers are 800-565-4927 (English) and 800-565-0438 (French-Canadian).

Mfr. No.	Name	Zero Duplication or Recommended Industrial	Mfr. No.	Name	Zero Duplication or Recommended Industrial	Mfr. No.	Name	Zero Duplication or Recommended Industrial	Mfr. No.	Name	Zero Duplication or Recommended Industrial
PR3592	ITM	340400	PR3804	ITM	471652	PR4048	ITM	5MR71	PR4650	ITM	330699
PR3599	ITM	473427	PR3806	ITM	416956	PR4109	ITM	5M289	PR4654	ITM	410825
PR3602	ITM	417606	PR3811	ITM	472299	PR4112	ITM	5MR1008	PR4655	ITM	455966
PR3609	ITM	50199S!	PR3812	ITM	415960	PR4113	ITM	5MR1009	PR4660	ITM	472354!
PR3609	ITM	6863S!	PR3814	ITM	472475	PR4116	ITM	5M293	PR4662	ITM	473235!
PR3610	ITM	471264!	PR3815	ITM	473466	PR4231	ITM	5M559	PR4666	ITM	1180
PR3611	ITM	471264!	PR3819	ITM	417269!	PR4501	ITM	1097N	PR4666	ITM	41X55X7!
PR3612	ITM	472029	PR3828	ITM	455858	PR4506	ITM	473241	PR4667	ITM	471737
PR3614	ITM	417608	PR3829	ITM	416156	PR4507	ITM	472164!	PR4668	ITM	471571
PR3618	ITM	473234!	PR3830	ITM	1094=	PR4508	ITM	415088	PR4672	ITM	455566
PR3622	ITM	470774!	PR3832	ITM	473203	PR4509	ITM	416364!	PR4673	ITM	413248
PR3623	ITM	471271!	PR3835	ITM	471737	PR4510	ITM	471571	PR4675	ITM	417134
PR3624	ITM	417262!	PR3837	ITM	472572!	PR4511	ITM	473215!	PR4676	ITM	472747
PR3628	ITM	473226	PR3839	ITM	471651	PR4514	ITM	343186	PR4677	ITM	474278
PR3630	ITM	474255	PR3841	ITM	340797	PR4515	ITM	416921!	PR4678	ITM	416154!
PR3631	ITM	417316!	PR3842	ITM	222510	PR4517	ITM	473211!	PR4679	ITM	473214!
PR3632	ITM	417608	PR3842	ITM	25X35X7!	PR4519	ITM	473445	PR4685	ITM	471316
PR3634	ITM	416271!	PR3843	ITM	456744N	PR4521	ITM	471267!	PR4686	ITM	470088
PR3640	ITM	471646!	PR3844	ITM	331173	PR4524	ITM	455584	PR4690	ITM	1169
PR3643	ITM	472560N!	PR3858	ITM	471195!	PR4528	ITM	476470	PR4692	ITM	472070
PR3644	ITM	474255	PR3859	ITM	415991	PR4530	ITM	224820	PR4695	ITM	472070
PR3648	ITM	471649!	PR3859	ITM	415991!	PR4530	ITM	48X62X8!	PR4696	ITM	471785!
PR3649	ITM	1012	PR3866	ITM	472354!	PR4531	ITM	1977	PR4698	ITM	327303!
PR3649	ITM	1012N	PR3867	ITM	471692!	PR4543	ITM	415867	PR4700	ITM	471472!
PR3649	ITM	45X62X8!	PR3868	ITM	473229!	PR4544	ITM	1174	PR4704	ITM	417597
PR3654	ITM	471692!	PR3879	ITM	417356!	PR4544	ITM	38X52X8.5!	PR4708	ITM	473197
PR3656	ITM	471692!	PR3888	ITM	416556!	PR4548	ITM	470354	PR4710	ITM	450446
PR3698	ITM	473454	PR3888	ITM	472157	PR4549	ITM	415958	PR4711	ITM	416271!
PR3701	ITM	471854!	PR3890	ITM	473016!	PR4550	ITM	417172	PR4712	ITM	455251H
PR3702	ITM	415035	PR3891	ITM	471735	PR4551	ITM	472572!	PR4715	ITM	417247!
PR3703	ITM	471316	PR3892	ITM	43078S	PR4552	ITM	40555	PR4718	ITM	471762!
PR3709	ITM	416654!	PR3893	ITM	416557	PR4552	ITM	40555S!	PR4719	ITM	312518!
PR3711	ITM	416654!	PR3895	ITM	7600S	PR4553	ITM	473467	PR4719	ITM	342518
PR3712	ITM	417487	PR3898	ITM	417530	PR4557	ITM	473466	PR4720	ITM	450177
PR3725	ITM	471689!	PR3902	ITM	416891!	PR4560	ITM	472016!	PR4722	ITM	471466!
PR3726	ITM	418028	PR3904	ITM	450984	PR4561	ITM	471271!	PR4723	ITM	6663S
PR3727	ITM	450084!	PR3908	ITM	471224!	PR4565	ITM	474276!	PR4724	ITM	471224!
PR3730	ITM	470530!	PR3909	ITM	471705!	PR4566	ITM	481181!	PR4725	ITM	450311
PR3731	ITM	417159	PR3911	ITM	470898	PR4569	ITM	471649!	PR4726	ITM	415449!
PR3732	ITM	472397!	PR3912	ITM	471224!	PR4572	ITM	472475	PR4731	ITM	417171!
PR3734	ITM	416738!	PR3916	ITM	455396	PR4573	ITM	417262!	PR4735	ITM	417254
PR3735	ITM	473450!	PR3919	ITM	471750!	PR4577	ITM	321460	PR4736	ITM	415379
PR3736	ITM	470530!	PR3920	ITM	415697!	PR4583	ITM	33X50X12!	PR4737	ITM	415449!
PR3737	ITM	410496!	PR3923	ITM	343186	PR4593	ITM	416107!	PR4740	ITM	471684!
PR3738	ITM	473466	PR3924	ITM	473224!	PR4595	ITM	471854!	PR4742	ITM	471870!
PR3739	ITM	473467	PR3926	ITM	472082	PR4597	ITM	472179	PR4747	ITM	1979
PR3742	ITM	416664!	PR3927	ITM	417492	PR4599	ITM	350435	PR4749	ITM	471835!
PR3744	ITM	350435	PR3928	ITM	416135!	PR4604	ITM	471466!	PR4750	ITM	473317
PR3745	ITM	210914	PR3929	ITM	450307	PR4605	ITM	417601	PR4757	ITM	203013
PR3746	ITM	418028	PR3933	ITM	224820	PR4606	ITM	240733	PR4758	ITM	472636!
PR3747	ITM	472016!	PR3933	ITM	48X62X8!	PR4607	ITM	471689!	PR4759	ITM	411348!
PR3750	ITM	473447	PR3935	ITM	417509	PR4609	ITM	471652	PR4761	ITM	471554!
PR3756	ITM	472029	PR3944	ITM	471801!	PR4610	ITM	471760	PR4768	ITM	473258!
PR3757	ITM	410752	PR3950	ITM	415150!	PR4613	ITM	473448	PR4770	ITM	1012
PR3761	ITM	472636!	PR3951	ITM	471267!	PR4614	ITM	41026S	PR4770	ITM	1012N
PR3763	ITM	473228	PR3962	ITM	471231!	PR4616	ITM	43078S	PR4770	ITM	45X62X8!
PR3766	ITM	413470!	PR3964	ITM	415483	PR4617	ITM	416624!	PR4773	ITM	415389
PR3767	ITM	410102	PR3969	ITM	50490=	PR4618	ITM	415995!	PR4774	ITM	416127
PR3768	ITM	471554!	PR3970	ITM	450326	PR4618	ITM	415995!	PR4776	ITM	1097N
PR3769	ITM	471689!	PR3971	ITM	472258!	PR4619	ITM	415379	PR4780	ITM	223240
PR3773	ITM	473236!	PR3975	ITM	227040	PR4620	ITM	415938	PR4780	ITM	32X48X8!
PR3775	ITM	417343!	PR3975	ITM	70X90X10!	PR4621	ITM	415027	PR4782	ITM	472324!
PR3776	ITM	451845	PR3982	ITM	450604	PR4627	ITM	55199=	PR4784	ITM	223840
PR3782	ITM	416664!	PR3985	ITM	473423	PR4629	ITM	50883=	PR4784	ITM	38X58X8!
PR3784	ITM	416664	PR3988	ITM	471532	PR4634	ITM	416956	PR4785	ITM	1177
PR3787	ITM	416664!	PR3990	ITM	471870!	PR4636	ITM	415483	PR4786	ITM	481371H=
PR3789	ITM	412861	PR3992	ITM	415984!	PR4638	ITM	417344!	PR4788	ITM	1176
PR3790	ITM	412861	PR3993	ITM	415725!	PR4639	ITM	470605!	PR4789	ITM	1180
PR3793	ITM	416865!	PR3998	ITM	473227!	PR4640	ITM	476470	PR4789	ITM	41X55X7!
PR3795	ITM	323138!	PR3999	ITM	415036	PR4641	ITM	417211!	PR4790	ITM	473227!
PR3796	ITM	455151	PR4040	ITM	5M89	PR4643	ITM	416556!	PR4791	ITM	1170
			PR4045	ITM	5M867	PR4643	ITM	472157	PR4792	ITM	1176

ALPHABETICAL INTERCHANGE

! Industrial Size/Type

= The U.S. customer service number is 877-4-TIMKEN. The Canadian customer service numbers are 800-565-4927 (English) and 800-565-0438 (French-Canadian).

Mfr. No.	Name	Zero Duplication or Recommended Industrial	Mfr. No.	Name	Zero Duplication or Recommended Industrial	Mfr. No.	Name	Zero Duplication or Recommended Industrial	Mfr. No.	Name	Zero Duplication or Recommended Industrial
PR4795	ITM	414045!	PR4922	ITM	6110=	PR5025	ITM	471619!	PR5120	ITM	473450!
PR4797	ITM	55X82X12!	PR4923	ITM	470950!	PR5029	ITM	50505=	PR5122	ITM	473454
PR4801	ITM	1953	PR4923	ITM	6241S	PR5030	ITM	471705!	PR5123	ITM	472439
PR4801	ITM	42X60X7!	PR4925	ITM	417601	PR5031	ITM	471735	PR5124	ITM	472572!
PR4802	ITM	223542	PR4926	ITM	473438	PR5032	ITM	471762!	PR5125	ITM	473238!
PR4802	ITM	35X55X11!	PR4928	ITM	416239!	PR5034	ITM	470712!	PR5126	ITM	473239!
PR4808	ITM	473467	PR4930	ITM	415219	PR5035	ITM	471763	PR5127	ITM	473240!
PR4809	ITM	481443!	PR4931	ITM	455251=	PR5036	ITM	471785!	PR5128	ITM	472319
PR4810	ITM	473242	PR4932	ITM	455308	PR5037	ITM	481792	PR5129	ITM	473241
PR4813	ITM	473237!	PR4933	ITM	473367	PR5038	ITM	450604	PR5130	ITM	472144!
PR4814	ITM	472492!	PR4934	ITM	416282	PR5040	ITM	473427	PR5131	ITM	472394
PR4817	ITM	5976S	PR4935	ITM	473232!	PR5041	ITM	472475	PR5133	ITM	471424!
PR4818	ITM	471267!	PR4936	ITM	417269!	PR5042	ITM	471765!	PR5134	ITM	471870!
PR4819	ITM	474253	PR4937	ITM	415023	PR5043	ITM	471354!	PR5135	ITM	472492!
PR4820	ITM	470328	PR4939	ITM	416380!	PR5044	ITM	473205!	PR5136	ITM	472924!
PR4820	ITM	481213!	PR4942	ITM	473232!	PR5047	ITM	471737	PR5137	ITM	472397!
PR4822	ITM	471224!	PR4943	ITM	471554!	PR5048	ITM	471766!	PR5138	ITM	473242
PR4825	ITM	472354!	PR4945	ITM	450557	PR5049	ITM	471787!	PR5139	ITM	412027
PR4826	ITM	473463	PR4945	ITM	471255!	PR5050	ITM	471795	PR5140	ITM	410102
PR4829	ITM	415871	PR4946	ITM	472810!	PR5051	ITM	471801!	PR5144	ITM	55524
PR4831	ITM	417262!	PR4948	ITM	472705!	PR5052	ITM	471808!	PR5145	ITM	451948
PR4833	ITM	417556	PR4954	ITM	224015	PR5053	ITM	471833	PR5146	ITM	472012
PR4834	ITM	415867	PR4955	ITM	481163!	PR5055	ITM	473210	PR5147	ITM	473204
PR4837	ITM	415458!	PR4956	ITM	417205!	PR5056	ITM	472826!	PR5148	ITM	470898
PR4838	ITM	415458!	PR4959	ITM	417486	PR5057	ITM	473211!	PR5149	ITM	471646!
PR4839	ITM	470898	PR4963	ITM	473212!	PR5058	ITM	473212!	PR5150	ITM	410308!
PR4846	ITM	45187S	PR4964	ITM	473426	PR5059	ITM	473213!	PR5150	ITM	473468
PR4847	ITM	415995!	PR4965	ITM	473227!	PR5060	ITM	481834	PR5151	ITM	472016!
PR4847	ITM	415995!	PR4966	ITM	472475	PR5062	ITM	472258!	PR5152	ITM	473243
PR4848	ITM	473473	PR4967	ITM	471868	PR5063	ITM	470774!	PR5153	ITM	413470!
PR4849	ITM	412119!	PR4968	ITM	410737!	PR5064	ITM	471192	PR5154	ITM	416267!
PR4854	ITM	345146	PR4969	ITM	6324S=	PR5065	ITM	473214!	PR5155	ITM	473244!
PR4855	ITM	55030	PR4970	ITM	470954!	PR5066	ITM	473215!	PR5156	ITM	472018
PR4857	ITM	481073	PR4971	ITM	254287	PR5067	ITM	471835!	PR5157	ITM	473245!
PR4858	ITM	417191	PR4973	ITM	471570!	PR5068	ITM	472843	PR5158	ITM	413472
PR4862	ITM	471570!	PR4974	ITM	471224!	PR5071	ITM	3395!	PR5159	ITM	416268
PR4864	ITM	416404!	PR4975	ITM	415437	PR5071	ITM	352444	PR5161	ITM	471272!
PR4866	ITM	416706!	PR4979	ITM	455121	PR5072	ITM	473224!	PR5162	ITM	473473
PR4868	ITM	472144!	PR4980	ITM	471466!	PR5073	ITM	473016!	PR5163	ITM	471138!
PR4869	ITM	471646!	PR4983	ITM	415447	PR5074	ITM	473225!	PR5164	ITM	472636!
PR4870	ITM	473475	PR4985	ITM	413247!	PR5075	ITM	473226	PR5165	ITM	412920!
PR4871	ITM	417181!	PR4986	ITM	415001!	PR5076	ITM	473227!	PR5166	ITM	411376!
PR4873	ITM	411245!	PR4988	ITM	472572!	PR5077	ITM	470625!	PR5167	ITM	415234!
PR4874	ITM	1174	PR4989	ITM	473215!	PR5078	ITM	470380!	PR5168	ITM	415259!
PR4874	ITM	38X52X8.5!	PR4990	ITM	50514	PR5079	ITM	473228!	PR5169	ITM	55337
PR4880	ITM	472826!	PR4991	ITM	417349!	PR5081	ITM	473440!	PR5170	ITM	472150
PR4882	ITM	471529	PR4994	ITM	416239!	PR5083	ITM	471958	PR5172	ITM	411394!
PR4883	ITM	471765!	PR4997	ITM	416865!	PR5085	ITM	472213	PR5173	ITM	450133
PR4884	ITM	417621!	PR5000	ITM	471526!	PR5086	ITM	472299	PR5174	ITM	416444
PR4885	ITM	472164!	PR5001	ITM	471472!	PR5088	ITM	470682	PR5176	ITM	470565!
PR4888	ITM	471689!	PR5002	ITM	471549!	PR5089	ITM	473441	PR5177	ITM	413246
PR4889	ITM	6703S	PR5003	ITM	471535!	PR5090	ITM	473442!	PR5178	ITM	413247!
PR4890	ITM	352541	PR5004	ITM	471551!	PR5092	ITM	473230!	PR5179	ITM	416271!
PR4891	ITM	416158	PR5005	ITM	471264!	PR5093	ITM	473231!	PR5180	ITM	410825
PR4892	ITM	415995!	PR5006	ITM	471255!	PR5094	ITM	473010!	PR5181	ITM	416071
PR4892	ITM	415995!	PR5007	ITM	471564	PR5095	ITM	473232!	PR5182	ITM	412040
PR4893	ITM	352541	PR5008	ITM	471553!	PR5096	ITM	474274	PR5183	ITM	413478
PR4895	ITM	471424!	PR5009	ITM	471554!	PR5097	ITM	473444!	PR5184	ITM	411245!
PR4896	ITM	473212!	PR5010	ITM	471567!	PR5101	ITM	473233!	PR5186	ITM	472029
PR4898	ITM	417134	PR5011	ITM	471643!	PR5102	ITM	473234!	PR5187	ITM	471271!
PR4900	ITM	473426	PR5012	ITM	471689!	PR5103	ITM	473235!	PR5188	ITM	470605!
PR4901	ITM	472311!	PR5013	ITM	470390	PR5104	ITM	473236!	PR5189	ITM	415449!
PR4902	ITM	415449!	PR5014	ITM	471570!	PR5105	ITM	473446	PR5190	ITM	416273
PR4907	ITM	416556!	PR5016	ITM	471646!	PR5106	ITM	471981	PR5191	ITM	455079!
PR4907	ITM	472157	PR5017	ITM	470590	PR5107	ITM	473237!	PR5192	ITM	415082
PR4910	ITM	415991	PR5018	ITM	471730	PR5108	ITM	472164!	PR5193	ITM	455655!
PR4910	ITM	415991!	PR5020	ITM	472951	PR5109	ITM	472185!	PR5194	ITM	355732
PR4912	ITM	450593!	PR5020	ITM	474252	PR5110	ITM	472179	PR5196	ITM	415302
PR4913	ITM	473205!	PR5021	ITM	471649!	PR5111	ITM	471141!	PR5197	ITM	415988
PR4915	ITM	417433!	PR5022	ITM	471689!	PR5112	ITM	471984	PR5198	ITM	417481
PR4919	ITM	253099	PR5023	ITM	471733	PR5118	ITM	472070	PR5200	ITM	410708
PR4920	ITM	473231!	PR5024	ITM	471760	PR5119	ITM	473449!	PR5201	ITM	415483

! Industrial Size/Type

= The U.S. customer service number is 877-4-TIMKEN. The Canadian customer service numbers are 800-565-4927 (English) and 800-565-0438 (French-Canadian).

Mfr. No.	Name	Zero Duplication or Recommended Industrial	Mfr. No.	Name	Zero Duplication or Recommended Industrial	Mfr. No.	Name	Zero Duplication or Recommended Industrial	Mfr. No.	Name	Zero Duplication or Recommended Industrial
PR5202	ITM	415458!	PR5281	ITM	415041	PR5538	ITM	484058	PR5636	ITM	417606
PR5203	ITM	417343!	PR5282	ITM	455134!	PR5539	ITM	331107N	PR5638	ITM	415995!
PR5204	ITM	415007	PR5283	ITM	417511	PR5540	ITM	417513	PR5638	ITM	415995!
PR5205	ITM	417082	PR5284	ITM	415142	PR5541	ITM	471795	PR5642	ITM	471570!
PR5207	ITM	455151	PR5285	ITM	415043	PR5542	ITM	470950!	PR5643	ITM	472258!
PR5208	ITM	455008	PR5287	ITM	415295	PR5542	ITM	6241S	PR5644	ITM	417433 =
PR5210	ITM	416664!	PR5289	ITM	416556!	PR5543	ITM	473367	PR5645	ITM	457291
PR5211	ITM	415984!	PR5289	ITM	472157	PR5544	ITM	410524	PR5646	ITM	416364!
PR5212	ITM	417316!	PR5290	ITM	415196!	PR5545	ITM	411253!	PR5647	ITM	417316!
PR5213	ITM	415960	PR5291	ITM	416891!	PR5550	ITM	470954!	PR5649	ITM	473517!
PR5214	ITM	416706!	PR5292	ITM	415045!	PR5551	ITM	471466!	PR5650	ITM	484054
PR5215	ITM	476281	PR5293	ITM	416137	PR5552	ITM	481834	PR5654	ITM	415389
PR5216	ITM	416282	PR5294	ITM	415058	PR5553	ITM	415001!	PR5656	ITM	417181!
PR5218	ITM	417485	PR5295	ITM	416556!	PR5555	ITM	472354!	PR5657	ITM	412119!
PR5219	ITM	415303!	PR5295	ITM	472157	PR5557	ITM	415138!	PR5658	ITM	416500
PR5220	ITM	417344!	PR5296	ITM	415425	PR5558	ITM	413248	PR5659	ITM	410737!
PR5221	ITM	417488!	PR5297	ITM	416380!	PR5559	ITM	416135!	PR5660	ITM	55469
PR5222	ITM	416921!	PR5298	ITM	415047	PR5561	ITM	1094 =	PR5662	ITM	473274
PR5224	ITM	455144	PR5299	ITM	416149	PR5562	ITM	416271!	PR5663	ITM	450090
PR5225	ITM	416956	PR5300	ITM	415060	PR5563	ITM	470605!	PR5665	ITM	410694!
PR5226	ITM	417159	PR5301	ITM	327303!	PR5564	ITM	415449!	PR5669	ITM	417254
PR5227	ITM	416654!	PR5302	ITM	417530	PR5565	ITM	455005	PR5670	ITM	417360
PR5228	ITM	417349!	PR5303	ITM	416888!	PR5566	ITM	455556	PR5672	ITM	416107!
PR5229	ITM	417350!	PR5304	ITM	416892!	PR5567	ITM	417350!	PR5673	ITM	350974!
PR5230	ITM	415995!	PR5305	ITM	416154!	PR5568	ITM	417351!	PR5674	ITM	417354!
PR5230	ITM	415995!	PR5306	ITM	415351!	PR5569	ITM	417488!	PR5675	ITM	410496!
PR5231	ITM	417487	PR5307	ITM	415371	PR5570	ITM	417621!	PR5676	ITM	456744N
PR5231	ITM	417487!	PR5308	ITM	416158	PR5571	ITM	417171!	PR5677	ITM	417532
PR5232	ITM	415088	PR5309	ITM	415138!	PR5573	ITM	412473!	PR5679	ITM	455858
PR5234	ITM	455019!	PR5310	ITM	417247!	PR5574	ITM	416624!	PR5680	ITM	410987!
PR5235	ITM	416404!	PR5311	ITM	415066	PR5575	ITM	416332!	PR5681	ITM	417514
PR5236	ITM	416288!	PR5312	ITM	416167!	PR5576	ITM	415263	PR5682	ITM	415045!
PR5237	ITM	417172	PR5313	ITM	417269!	PR5577	ITM	415487	PR5684	ITM	415349
PR5238	ITM	416024	PR5315	ITM	415725!	PR5577	ITM	417555!	PR5688	ITM	417597
PR5239	ITM	456105	PR5316	ITM	416865!	PR5578	ITM	415036	PR5689	ITM	472258
PR5240	ITM	455336	PR5335	ITM	415551	PR5579	ITM	456641	PR5690	ITM	55646 =
PR5241	ITM	417433!	PR5337	ITM	416364!	PR5580	ITM	415284	PR5697	ITM	411330!
PR5242	ITM	476470	PR5500	ITM	472258!	PR5581	ITM	417541	PR5699	ITM	416239!
PR5243	ITM	418028	PR5501	ITM	417349!	PR5582	ITM	417353!	PR5700	ITM	357302
PR5244	ITM	456305	PR5502	ITM	471571	PR5586	ITM	417355!	PR5700	ITM	415991
PR5245	ITM	415023	PR5503	ITM	471766!	PR5587	ITM	416327	PR5702	ITM	450143
PR5246	ITM	415085!	PR5504	ITM	471868	PR5588	ITM	471820	PR5707	ITM	473463
PR5247	ITM	455024	PR5505	ITM	471442!	PR5589	ITM	472636!	PR5708	ITM	417509
PR5248	ITM	416294!	PR5506	ITM	471554!	PR5591	ITM	452023 =	PR5709	ITM	417198
PR5249	ITM	417191	PR5507	ITM	471570!	PR5593	ITM	416664!	PR5710	ITM	415645!
PR5251	ITM	415025	PR5508	ITM	415711	PR5595	ITM	470954!	PR5711	ITM	417362!
PR5253	ITM	417492	PR5509	ITM	451078!	PR5596	ITM	476838!	PR5712	ITM	416666
PR5254	ITM	415991	PR5510	ITM	473425	PR5597	ITM	417507	PR5714	ITM	416039
PR5254	ITM	415991!	PR5511	ITM	471801!	PR5598	ITM	471195!	PR5716	ITM	455480!
PR5255	ITM	415437	PR5512	ITM	480844	PR5599	ITM	417196!	PR5717	ITM	417562
PR5256	ITM	415027	PR5513	ITM	473010!	PR5600	ITM	416156	PR5718	ITM	415854
PR5257	ITM	417495	PR5514	ITM	472164!	PR5602	ITM	417542	PR5720	ITM	417205!
PR5258	ITM	415559	PR5515	ITM	470334!	PR5603	ITM	417549!	PR5722	ITM	416557
PR5259	ITM	415389	PR5516	ITM	472492!	PR5604	ITM	417278	PR5723	ITM	417258
PR5260	ITM	415937!	PR5518	ITM	473464	PR5610	ITM	331228H	PR5724	ITM	417546!
PR5261	ITM	416125!	PR5519	ITM	415001!	PR5611	ITM	471651	PR5725	ITM	473415
PR5262	ITM	417499	PR5520	ITM	416149	PR5615	ITM	473258!	PR5726	ITM	417499
PR5263	ITM	415983N!	PR5521	ITM	471570!	PR5620	ITM	410737!	PR5727	ITM	415867
PR5264	ITM	415379	PR5522	ITM	470088	PR5621	ITM	55108 =	PR5730	ITM	473239!
PR5265	ITM	416339	PR5523	ITM	323119	PR5622	ITM	473459 =	PR5733	ITM	415294!
PR5266	ITM	415150!	PR5524	ITM	455249!	PR5623	ITM	9845	PR5735	ITM	416229
PR5268	ITM	417210!	PR5525	ITM	471141!	PR5624	ITM	473423	PR5736	ITM	417487!
PR5269	ITM	416345!	PR5526	ITM	450593!	PR5625	ITM	416921!	PR5736	ITM	417487
PR5270	ITM	415697!	PR5527	ITM	417223	PR5627	ITM	410308!	PR5784	ITM	473447
PR5271	ITM	417366!	PR5529	ITM	474264	PR5627	ITM	473468	PR5795	ITM	471316
PR5272	ITM	415958	PR5530	ITM	450776!	PR5628	ITM	471270!	PR5797	ITM	472397!
PR5274	ITM	415034!	PR5531	ITM	470328	PR5629	ITM	9569S	PR5802	ITM	470088
PR5276	ITM	457294	PR5531	ITM	481213!	PR5631	ITM	415991	PR5811	ITM	416738!
PR5277	ITM	415035	PR5533	ITM	471862	PR5631	ITM	415991!	PR5816	ITM	415984!
PR5278	ITM	417356!	PR5534	ITM	473458!	PR5632	ITM	416888	PR5817	ITM	476470
PR5279	ITM	417357	PR5535	ITM	1097N	PR5633	ITM	416273	PR6000	ITM	473231!
PR5280	ITM	416130!	PR5537	ITM	473459	PR5634	ITM	416297	PR6001	ITM	413247!

ALPHABETICAL INTERCHANGE

! Industrial Size/Type

= The U.S. customer service number is 877-4-TIMKEN. The Canadian customer service numbers are 800-565-4927 (English) and 800-565-0438 (French-Canadian).

Mfr. No.	Name	Zero Duplication or Recommended Industrial	Mfr. No.	Name	Zero Duplication or Recommended Industrial	Mfr. No.	Name	Zero Duplication or Recommended Industrial	Mfr. No.	Name	Zero Duplication or Recommended Industrial
PR6002	ITM	476023N	PR6134	ITM	415327	PR6284	ITM	416153!	PR6468	ITM	340835
PR6007	ITM	473228	PR6135	ITM	472560N!	PR6285	ITM	416167!	PR6471	ITM	1170
PR6009	ITM	472179	PR6138	ITM	415263	PR6286	ITM	417040	PR6472	ITM	32X58X8!
PR6010	ITM	473214!	PR6139	ITM	40322=	PR6287	ITM	415124	PR6487	ITM	417350=
PR6011	ITM	323119	PR6145	ITM	224045	PR6288	ITM	417022	PR6492	ITM	1190
PR6012	ITM	415303!	PR6145	ITM	40X62X12!	PR6289	ITM	455129	PR6501	ITM	331173
PR6014	ITM	40071S	PR6147	ITM	471835!	PR6290	ITM	7639S	PR6502	ITM	1213N
PR6017	ITM	471554!	PR6148	ITM	472150	PR6291	ITM	415076	PR6505	ITM	228020
PR6021	ITM	415437	PR6152	ITM	5965	PR6292	ITM	417608	PR6510	ITM	3051N
PR6021	ITM	415437!	PR6154	ITM	8996S=	PR6295	ITM	473237!	PR6511	ITM	223240
PR6024	ITM	470605!	PR6156	ITM	471267!	PR6304	ITM	471831!	PR6511	ITM	32X48X8!
PR6027	ITM	417538	PR6159	ITM	471734	PR6310	ITM	470565!	PR6513	ITM	7013S
PR6028	ITM	417563	PR6160	ITM	6638S	PR6311	ITM	415458	PR6524	ITM	482126
PR6029	ITM	471138!	PR6162	ITM	415958	PR6313	ITM	473442!	PR6525	ITM	2551
PR6030	ITM	417357	PR6170	ITM	416891!	PR6315	ITM	417549!	PR6531	ITM	2503
PR6032	ITM	473425	PR6171	ITM	417354!	PR6318	ITM	473230!	PR6531	ITM	2503N
PR6035	ITM	455019!	PR6172	ITM	418028	PR6320	ITM	415437	PR6532	ITM	331227H
PR6036	ITM	417492	PR6173	ITM	473214!	PR6322	ITM	471651	PR6533	ITM	51322
PR6040	ITM	471821!	PR6183	ITM	8835S	PR6324	ITM	473228!	PR6534	ITM	1173
PR6042	ITM	311189	PR6186	ITM	413248	PR6330	ITM	471766=	PR6536	ITM	224820
PR6043	ITM	331228H	PR6187	ITM	40555	PR6331	ITM	5472=	PR6536	ITM	48X62X8!
PR6044	ITM	473245!	PR6187	ITM	40555S!	PR6332	ITM	473231!	PR6539	ITM	7751H
PR6046	ITM	473447	PR6189	ITM	42101S	PR6337	ITM	473228!	PR6553	ITM	472193!
PR6050	ITM	450313	PR6190	ITM	291295	PR6338	ITM	417498	PR6557	ITM	472258!
PR6051	ITM	456105	PR6191	ITM	473228!	PR6339	ITM	472082	PR6558	ITM	471766!
PR6052	ITM	417316!	PR6192	ITM	470334!	PR6342	ITM	3395!	PR6565	ITM	476574N
PR6053	ITM	415034!	PR6194	ITM	9569S	PR6342	ITM	352444	PR6569	ITM	471765!
PR6055	ITM	7751H	PR6199	ITM	1097N	PR6344	ITM	415449!	PR6571	ITM	226020
PR6058	ITM	417316!	PR6201	ITM	1184	PR6346	ITM	415960	PR6571	ITM	60X80X8!
PR6059	ITM	416738!	PR6205	ITM	1994	PR6350	ITM	7782N	PR6573	ITM	416892!
PR6060	ITM	480581=	PR6205	ITM	48X70X9!	PR6352	ITM	472258!	PR6575	ITM	415379
PR6061	ITM	470682	PR6213	ITM	223542	PR6354	ITM	471652	PR6576	ITM	473444!
PR6062	ITM	476842	PR6213	ITM	35X55X11!	PR6361	ITM	8792S	PR6577	ITM	416071
PR6066	ITM	472572!	PR6214	ITM	473823	PR6363	ITM	472409!	PR6578	ITM	472397!
PR6067	ITM	416130!	PR6222	ITM	417349!	PR6370	ITM	7457N	PR6586	ITM	2443
PR6068	ITM	471787!	PR6223	ITM	415995!	PR6371	ITM	417247!	PR6590	ITM	416153!
PR6069	ITM	1091=	PR6224	ITM	415449!	PR6373	ITM	1174	PR6592	ITM	252277
PR6071	ITM	8660S	PR6225	ITM	471272!	PR6373	ITM	38X52X8.5!	PR6594	ITM	417536
PR6072	ITM	8611N	PR6227	ITM	474276!	PR6374	ITM	1181	PR6595	ITM	1213N
PR6077	ITM	8976S	PR6230	ITM	470774!	PR6374	ITM	41X56X7!	PR6610	ITM	417316!
PR6082	ITM	222510	PR6231	ITM	470380!	PR6375	ITM	1183	PR6612	ITM	8695S
PR6082	ITM	25X35X7!	PR6231	ITM	472189A!	PR6376	ITM	224045	PR6614	ITM	471424!
PR6084	ITM	473258!	PR6232	ITM	9845	PR6376	ITM	40X62X12!	PR6615	ITM	472012
PR6085	ITM	1214	PR6234	ITM	472258!	PR6378	ITM	1992	PR6620	ITM	416383
PR6085	ITM	1214N	PR6235	ITM	415983N!	PR6379	ITM	8121S	PR6623	ITM	1953
PR6087	ITM	417366!	PR6238	ITM	42260S	PR6389	ITM	370001A	PR6623	ITM	42X60X7!
PR6089	ITM	470898!	PR6240	ITM	415036	PR6390	ITM	450260	PR6625	ITM	376590A
PR6090	ITM	415483	PR6249	ITM	1037	PR6391	ITM	471224!	PR6627	ITM	416394
PR6091	ITM	473231!	PR6250	ITM	493637	PR6392	ITM	480630!	PR6629	ITM	416102
PR6092	ITM	471539!	PR6252	ITM	415983N!	PR6395	ITM	471854!	PR6630	ITM	415960
PR6093	ITM	471267!	PR6254	ITM	471159	PR6396	ITM	471267!	PR6631	ITM	416500
PR6094	ITM	470088	PR6256	ITM	350364	PR6399	ITM	6703S	PR6632	ITM	417484!
PR6096	ITM	8935S	PR6258	ITM	350156	PR6401	ITM	473179!	PR6634	ITM	412119!
PR6097	ITM	412920!	PR6258	ITM	473096	PR6409	ITM	415303!	PR6637	ITM	418028
PR6098	ITM	456618	PR6261	ITM	471264!	PR6414	ITM	370037A	PR6640	ITM	1174
PR6099	ITM	6815	PR6262	ITM	471538!	PR6415	ITM	370036A	PR6640	ITM	38X52X8.5!
PR6101	ITM	41257!	PR6263	ITM	470954!	PR6416	ITM	5092	PR6644	ITM	416271!
PR6103	ITM	312518!	PR6264	ITM	471649!	PR6417	ITM	417158!	PR6647	ITM	2443
PR6103	ITM	342518	PR6265	ITM	471192	PR6422	ITM	416888!	PR6666	ITM	471984
PR6105	ITM	484058	PR6266	ITM	471192	PR6430	ITM	1196	PR6673	ITM	343104
PR6106	ITM	5473	PR6267	ITM	472164!	PR6433	ITM	476574N	PR7003	ITM	415001!
PR6107	ITM	416921!	PR6271	ITM	43290S	PR6438	ITM	471831!	PR7004	ITM	200322
PR6108	ITM	417520	PR6272	ITM	416273	PR6439	ITM	417357	PR7006	ITM	415077
PR6109	ITM	473244!	PR6273	ITM	415302	PR6444	ITM	350909	PR7008	ITM	417606
PR6110	ITM	6954S	PR6274	ITM	415960	PR6444	ITM	471224!	PR7014	ITM	415072
PR6112	ITM	1174	PR6276	ITM	415303!	PR6445	ITM	417343!	PR7016	ITM	416921!
PR6112	ITM	38X52X8.5!	PR6277	ITM	476470	PR6449	ITM	410989	PR7037	ITM	450557
PR6119	ITM	472439	PR6279	ITM	456744N	PR6449	ITM	470989	PR7037	ITM	471255!
PR6121	ITM	413246	PR6280	ITM	417211!	PR6455	ITM	472258!	PR8004	ITM	12X30X7
PR6126	ITM	350936	PR6281	ITM	415035	PR6462	ITM	226020	PR8012	ITM	14X28X6
PR6129	ITM	416557	PR6282	ITM	415295	PR6462	ITM	60X80X8!	PR8015	ITM	14X35X7
PR6130	ITM	475568=	PR6283	ITM	415196!	PR6467	ITM	7044NA	PR8017	ITM	15X30X7

! Industrial Size/Type

= The U.S. customer service number is 877-4-TIMKEN. The Canadian customer service numbers are 800-565-4927 (English) and 800-565-0438 (French-Canadian).

Mfr. No.	Name	Zero Duplication or Recommended Industrial	Mfr. No.	Name	Zero Duplication or Recommended Industrial	Mfr. No.	Name	Zero Duplication or Recommended Industrial	Mfr. No.	Name	Zero Duplication or Recommended Industrial
PR8018	ITM	15X32X8	PR8209	ITM	40X55X8!	PR8364	ITM	227020	PR8681	ITM	455079!
PR8019	ITM	15X35X7	PR8210	ITM	224025	PR8364	ITM	70X88X8!	PR8682	ITM	415082
PR8024	ITM	16X30X7	PR8212	ITM	224040	PR8365	ITM	227040	PR8683	ITM	455655!
PR8026	ITM	16X35X7	PR8212	ITM	40X60X10!	PR8365	ITM	70X90X10!	PR8684	ITM	355732
PR8031	ITM	17X30X7	PR8213	ITM	224045	PR8366	ITM	70X95X13	PR8686	ITM	416664!
PR8032	ITM	17X32X7	PR8213	ITM	40X62X12!	PR8367	ITM	70X100X13	PR8687	ITM	415984!
PR8037	ITM	17X40X7	PR8218	ITM	712011	PR8372	ITM	72X95X10	PR8688	ITM	417316!
PR8042	ITM	18X32X8	PR8225	ITM	494117	PR8373	ITM	72X100X12	PR8690	ITM	417706!
PR8047	ITM	18X40X7	PR8227	ITM	1953	PR8377	ITM	75X95X10	PR8691	ITM	476281
PR8050	ITM	221925	PR8227	ITM	42X60X7!	PR8378	ITM	227550	PR8692	ITM	416282
PR8058	ITM	20X35X7!	PR8228	ITM	224252	PR8378	ITM	75X100X12!	PR8694	ITM	417350!
PR8062	ITM	20X40X7!	PR8228	ITM	42X62X8!	PR8383	ITM	78X100X10	PR8695	ITM	453182
PR8062	ITM	222050	PR8229	ITM	224255	PR8387	ITM	228010	PR8696	ITM	415036N
PR8066	ITM	20X47X7	PR8229	ITM	42X65X10!	PR8388	ITM	228020	PR8697	ITM	415088
PR8069	ITM	20X52X7	PR8232	ITM	224270	PR8388	ITM	80X105X13!	PR8699	ITM	455019!
PR8077	ITM	22X40X7	PR8232	ITM	42X72X10!	PR8389	ITM	80X110X12	PR8700	ITM	416404!
PR8081	ITM	22X47X7	PR8238	ITM	224462	PR8397	ITM	85X110X12	PR8701	ITM	416288!
PR8086	ITM	24X40X7!	PR8238	ITM	44X62X8!	PR8399	ITM	85X120X12	PR8702	ITM	416024
PR8090	ITM	24X47X7	PR8242	ITM	224270	PR8405	ITM	229005	PR8703	ITM	417433!
PR8094	ITM	222540	PR8242	ITM	42X72X10!	PR8405	ITM	229006	PR8704	ITM	476470
PR8098	ITM	25X47X7	PR8243	ITM	224520	PR8413	ITM	95X120X12	PR8705	ITM	456305
PR8101	ITM	25X52X7!	PR8243	ITM	45X60X10!	PR8415	ITM	229520	PR8706	ITM	415023
PR8112	ITM	26X47X7	PR8245	ITM	1992	PR8415	ITM	95X130X12!	PR8707	ITM	415437
PR8113	ITM	222655	PR8246	ITM	224560	PR8416	ITM	100X120X12	PR8708	ITM	415027
PR8113	ITM	26X48X7!	PR8246	ITM	45X68X7!	PR8417	ITM	100X125X12	PR8709	ITM	417495
PR8117	ITM	222745	PR8248	ITM	224570	PR8418	ITM	100X130X12!	PR8710	ITM	415559
PR8117	ITM	27X45X8!	PR8248	ITM	45X72X12!	PR8424	ITM	105X130X12	PR8711	ITM	415035
PR8126	ITM	222860	PR8262	ITM	1187	PR8426	ITM	105X140X12	PR8712	ITM	417356!
PR8126	ITM	28X47X7!	PR8262	ITM	47X68X10!	PR8428	ITM	110X130X12	PR8713	ITM	417357
PR8129	ITM	28X52X7	PR8264	ITM	224772	PR8430	ITM	110X140X13!	PR8714	ITM	416130!
PR8130	ITM	223014	PR8265	ITM	224820	PR8430	ITM	231108	PR8715	ITM	415041
PR8132	ITM	30X47X7	PR8265	ITM	48X62X8!	PR8439	ITM	115X140X12	PR8717	ITM	415196!
PR8135	ITM	223035	PR8266	ITM	1973	PR8441	ITM	115X150X12	PR8718	ITM	416891!
PR8141	ITM	30X62X7	PR8266	ITM	48X65X10!	PR8444	ITM	120X140X13!	PR8719	ITM	415045!
PR8146	ITM	32X45X7	PR8267	ITM	224835	PR8444	ITM	717004	PR8720	ITM	416137
PR8147	ITM	223235	PR8267	ITM	48X68X10!	PR8445	ITM	120X145X12!	PR8721	ITM	415058
PR8147	ITM	32X46X6!	PR8268	ITM	1994	PR8445	ITM	231204	PR8722	ITM	327303!
PR8149	ITM	223240	PR8268	ITM	48X70X9!	PR8446	ITM	120X150X12	PR8723	ITM	417530
PR8149	ITM	32X48X8!	PR8269	ITM	48X72X7!	PR8448	ITM	120X160X12	PR8724	ITM	416892!
PR8151	ITM	223255	PR8277	ITM	225010	PR8449	ITM	125X150X12!	PR8725	ITM	416154!
PR8151	ITM	32X52X7!	PR8277	ITM	50X65X8!	PR8449	ITM	231250	PR8726	ITM	415351!
PR8152	ITM	2008	PR8278	ITM	225020	PR8451	ITM	125X160X12	PR8728	ITM	415725!
PR8154	ITM	223275	PR8278	ITM	50X68X8!	PR8455	ITM	130X160X12	PR8729	ITM	416865!
PR8154	ITM	32X56X10!	PR8279	ITM	1960	PR8456	ITM	130X170X15	PR8758	ITM	50X72X8
PR8159	ITM	223430	PR8280	ITM	50X72X8	PR8541	ITM	457294	PR8761	ITM	50X80X8
PR8159	ITM	710417	PR8283	ITM	50X80X8	PR8542	ITM	415991	PR8767	ITM	55X72X8!
PR8167	ITM	35X50X8!	PR8284	ITM	225082	PR8542	ITM	415991!	PR8770	ITM	55X80X8
PR8167	ITM	3771	PR8288	ITM	1884	PR8544	ITM	417349!	PR8771	ITM	55X82X12!
PR8168	ITM	223535	PR8288	ITM	52X68X8!	PR8592	ITM	125X150X12!	PR8772	ITM	55X85X10
PR8170	ITM	223542	PR8290	ITM	225230	PR8592	ITM	231250	PR8778	ITM	226020
PR8170	ITM	35X55X11!	PR8290	ITM	52X72X8!	PR8594	ITM	231404	PR8778	ITM	60X80X8!
PR8171	ITM	223543!	PR8297	ITM	55X72X8!	PR8605	ITM	220X250X15	PR8780	ITM	60X85X8
PR8171	ITM	35X56X10!	PR8300	ITM	55X80X8	PR8657	ITM	471870!	PR8789	ITM	65X85X10
PR8174	ITM	35X62X7!	PR8301	ITM	55X82X12!	PR8658	ITM	472492!	PR8791	ITM	65X90X10!
PR8176	ITM	223580	PR8302	ITM	55X85X10	PR8659	ITM	472924!	PR8793	ITM	65X100X10
PR8182	ITM	223605	PR8315	ITM	225875	PR8660	ITM	472397!	PR8798	ITM	227020
PR8182	ITM	36X50X7!	PR8315	ITM	58X75X11!	PR8661	ITM	473242	PR8798	ITM	70X88X8!
PR8184	ITM	223610	PR8317	ITM	58X80X8	PR8662	ITM	412027	PR8799	ITM	227045
PR8184	ITM	710197!	PR8322	ITM	60X75X8	PR8663	ITM	410102	PR8800	ITM	70X95X13
PR8185	ITM	2003N!	PR8324	ITM	226020	PR8665	ITM	487945	PR8801	ITM	70X100X13
PR8190	ITM	710057	PR8324	ITM	60X80X8!	PR8667	ITM	55524	PR8805	ITM	75X95X10
PR8191	ITM	223620	PR8325	ITM	2001	PR8669	ITM	473473	PR8806	ITM	227550
PR8194	ITM	1174	PR8325	ITM	60X82X12!	PR8670	ITM	471138!	PR8806	ITM	75X100X12!
PR8194	ITM	38X52X8.5!	PR8326	ITM	60X85X8	PR8671	ITM	472636!	PR8810	ITM	228020
PR8196	ITM	223830	PR8336	ITM	226285	PR8672	ITM	412920!	PR8810	ITM	80X105X13!
PR8196	ITM	38X55X7!	PR8336	ITM	62X85X8!	PR8674	ITM	415234!	PR8811	ITM	80X110X12
PR8198	ITM	223840	PR8338	ITM	62X90X10	PR8675	ITM	415259!	PR8819	ITM	90X120X12
PR8198	ITM	38X58X8!	PR8349	ITM	65X85X10	PR8676	ITM	55337	PR8824	ITM	100X120X12
PR8200	ITM	38X62X7	PR8351	ITM	65X90X10!	PR8677	ITM	472029	PR8825	ITM	100X125X12
PR8201	ITM	1176	PR8353	ITM	65X100X10	PR8678	ITM	470605!	PR8826	ITM	100X130X12!
PR8208	ITM	1213N	PR8360	ITM	68X90X10	PR8679	ITM	415449!	PR8830	ITM	110X140X13!
PR8209	ITM	224020	PR8362	ITM	68X100X13	PR8680	ITM	416273	PR8830	ITM	231108

ALPHABETICAL INTERCHANGE

! Industrial Size/Type

Zero Duplication or Recommended Industrial		Zero Duplication or Recommended Industrial		Zero Duplication or Recommended Industrial		Zero Duplication or Recommended Industrial		
Mfr. No.	Name	Mfr. No.	Name	Mfr. No.	Name	Mfr. No.	Name	
PR8834	ITM	115X140X12	PS4622 C-P	471570!	R16287 CASE	470059	R44508 FORD	471354!
PR8840	ITM	125X160X12	PS4623 C-P	450593!	R16287 CASE	470380!	R44508 WOODB	471354!
PR9003	ITM	223035	PS4624 C-P	416239!	R18438 GAL	415072	R450316 WILSO	415991
PR9004	ITM	35X62X7!	PS4625 C-P	471766!	R18462 GAL	472179	R450316 WILSO	455146!
PR9005	ITM	224020	PS4626 C-P	471255!	R1960 ROCKE	2900	R45406 JOHND	J1126
PR9005	ITM	40X55X8!	PS4628 C-P	415035	R1961 ROCKE	2900	R462 FULLE	416654!
PR9006	ITM	224025	PS4628 C-P	415035!	R19970 GAL	411376!	R481386VAR SPG	481386V
PR9008	ITM	224040	PS4629 C-P	471413!	R19974 GAL	415379	R5003 WILSO	455019!
PR9008	ITM	40X60X10!	PSF24671 B-L-H	473313	R19974 GAL	415379!	R500316 WILSO	415027!
PR9009	ITM	224045	PSF24672 B-L-H	470530!	R19987 GAL	417247!	R500316 WILSO	415027
PR9009	ITM	40X62X12!	PSI50851 WABCO	240009	R1X817 CATER	455944=	R50032 WILSO	415021
PR9021	ITM	225010	PT7523 JOHND	471760	R2001 WILSO	471760	R500324 WILSO	416339
PR9021	ITM	45X60X10!	PT7524 JOHND	471643!	R20080 BTM	470334!	R500324 WILSO	455031!
PR9022	ITM	1012	PTA122 F-R-H	481864	R20798 CASE	417621!	R500330 WILSO	415034!
PR9022	ITM	1012N	PTS913 AT SU	473215!	R20869 BTM	473229	R50036 WILSO	455022
PR9022	ITM	45X62X8!	PX6060742 CATER	415284	R20894 BTM	471466!	R50038 WILSO	415023
PR9023	ITM	1992	PXS47 COC	470898!	R20965 BTM	5778	R5004 WILSO	415035!
PR9023	ITM	45X65X8!	PXS89 COC	240356	R21017 BTM	471413	R5004 WILSO	415035
PR9024	ITM	224560	PY623 GRAY	471553!	R21050 BTM	40576S	R5504 WILSO	415036
PR9024	ITM	45X68X7!	Q00688033 GMC	J1113	R21164 BTM	40566S	R550412 WILSO	415196!
PR9026	ITM	224570	Q27958 JOHND	415988	R21263 BTM	472311!	R550416 WILSO	416888!
PR9026	ITM	45X72X12!	Q27958K JOHND	415988	R21466 CASE	417349=	R55048 WILSO	416891!
PR9032	ITM	225010	Q28735 JOHND	471870!	R21483 CASE	472636=	R575416 WILSO	416892!
PR9032	ITM	50X65X8!	QM1333 DEVIL	470712!	R22209 GAL	415001!	R575424 WILSO	415138!
PR9033	ITM	225020	QR631 BUC-E	471570!	R22518 WILSO	45016S	R600L-204 CONTI	417344!
PR9033	ITM	50X68X8!	QS100 DEVIL	451583!	R22518 WILSO	471801!	R600L-293 CONTI	471466!
PR9034	ITM	1960	QS141 DEVIL	471526!	R23024 B-L-H	55301S	R600S-247 CONTI	330385!
PR9035	ITM	50X72X8	QS186 DEVIL	471442!	R23437 CONTI	471868	R625416 WILSO	415351!
PR9038	ITM	50X80X8	QS187 DEVIL	471472!	R24226 GAL	416654!	R625430 WILSO	417273
PR9043	ITM	473227!	QX22260 JOHND	240319	R24752 US-EL	415498	R65422 WITTE	416921!
PR9044	ITM	470625!	QX34751B JOHND	472636!	R250116 WILSO	473228	R675516 WILSO	416107!
PR9045	ITM	470380!	QX38201 JOHND	418028	R262124 WILSO	472185!	R675516 WILSO	455073
PR9045	ITM	472189A!	QX38201 JOHND	455137!	R27347 GAL	473405	R68201 JOHND	JV1140=
PR9046	ITM	473228!	QX52280 JOHND	413246	R3002 WILSO	472397!	R70453 JOHND	JV1132=
PR9047	ITM	451857	QX52281 JOHND	473466	R3024 B-L-H	55301S	R74485 JOHND	JX1141
PR9048	ITM	473440!	QX52282 JOHND	471760	R304 IRON	471354!	R746D JOHND	471737
PR9049	ITM	450523	QX62779 JOHND	474274	R30HH102 DANA	416865!	R75056 JOHND	712251
PR9050	ITM	471958	QX72410 JOHND	473229!	R31324 WILSO	472016	R7506 JOHND	415072
PR9052	ITM	471424!	R-100495-VAR SPG	4810V	R31440 JOHND	412473!	R769DN JOHND	471766
PR9053	ITM	471870!	R-100495-VAR SPG	714810	R319124 WILSO	470088	R78048TA SPG	78048
PR9054	ITM	472492!	R-4810-VA1 SPG	4810V!	R323324VVG SPG	3476V	R7X6048 CATER	485725H=
PR9055	ITM	472924!	R-84114 JOHND	J1396	R32349 CASE	417601	R800616 WILSO	416229
PR9056	ITM	470530!	R100263VAR SPG	100263	R33214 GAL	471354!	R8592 LETN	472179
PR9057	ITM	473242	R100263VAR SPG	4562V	R33338 JOHND	473227!	R86374 WILSO	416077
PR9058	ITM	412027	R100494VAR SPG	100494	R33338R JOHND	473227!	R8643 LETN	450269
PR9059	ITM	410102	R100494VAR SPG	476470	R33339R JOHND	473227!	R88597 JOHND	J1121
PR9061	ITM	487945	R100495VAR335 SPG	100495	R33340 JOHND	416404!	R888712 WILSO	455117
PR9063	ITM	55524	R100557VAR SPG	100557	R335212 WILSO	412119!	R901716 WILSO	415551
PS105	OLIVE	471692!	R100557VAR SPG	4544V	R33528 WILSO	411253!	R945001 ROCKW	100494
PS212	MASSE	471835!	R100731VA8 SPG	100731V	R33543 GAL	415007	R945002 ROCKW	100495
PS22123	C-P	471472!	R1069 ROL	25598	R33578R JOHND	471866=	R945003 ROCKW	100263
PS2216	C-P	472492!	R1075824 WILSO	415128	R33587R JOHND	240007=	R945004 ROCKW	100557
PS25310	C-P	474281!	R10778 GAL	455024	R34650 JOHND	471413!	RA14755 PETTI	40555
PS25311	C-P	470530!	R10779 GAL	416339	R354216 WILSO	415001!	RA14755 PETTI	40555S!
PS25312	C-P	472157!	R10779 GAL	455031!	R35735 JOHND	416332!	RA1500 AUTDP	BS40380
PS25312	C-P	472157	R1080 WILSO	417602!	R35735R JOHND	416332!	RA1505 AUTDP	BS40509
PS25313	C-P	472636!	R11076 GAL	470059	R35738 JOHND	240356	RA1507 AUTDP	BS40380
PS25314	C-P	474281!	R11076 GAL	470380!	R35738R JOHND	340356	RA1511 AUTDP	BS40509
PS2532	C-P	415041	R11077 GAL	470088	R35798R JOHND	470380!	RA17424 PETTI	42352S
PS2534	C-P	471271!	R1138R JOHND	425RR	R362220 WILSO	415458!	RA17455 PETTI	40555
PS2535	C-P	415995!	R11560 GAL	416476!	R36423 JOHND	476470	RA17455 PETTI	40555S!
PS2536	C-P	471554!	R115916 WILSO	471606	R37410 JOHND	417343!	RA2277310 TW-DI	476470
PS2537	C-P	471570!	R1251016 WILSO	415227!	R37410R JOHND	417343!	RA2277310 TW-DI	476470!
PS2538	C-P	330385!	R13881 CASE	470898	R375224 WILSO	417316!	RA47115 JOHND	JX1967
PS2539	C-P	450593!	R14090 GAL	417269!	R4003 WILSO	415995!	RC07004 FUNK	471192
PS462	C-P	415072	R14132 GAL	472012	R4253 WILSO	417487	RC446 GRAY	471191
PS4621	C-P	471554!	R14133 GAL	415449!	R42532 WILSO	455015	RC446 GRAY	456585
PS46211	C-P	471466!	R14134 GAL	417356!	R42536 WILSO	456105	RCF7168 MASSE	427RR
PS46212	C-P	480630!	R14134 GAL	455188	R42538 WILSO	476470	RCF7206 FUNK	340724!
PS46213	C-P	416865!	R14189 GAL	417538	R434 FULLE	455134!	RCF7228 MASSE	421
PS46214	C-P	415072	R14190 GAL	415938	R4373 WILSO	417488!	RCO7004 FUNK	471192
PS46215	C-P	471538!	R15028 WILSO	471570!	R44176 JOHND	JV1378=	RCP71164 FUNK	450375!

! Industrial Size/Type

= The U.S. customer service number is 877-4-TIMKEN. The Canadian customer service numbers are 800-565-4927 (English) and 800-565-0438 (French-Canadian).

Mfr. No.	Name	Zero Duplication or Recommended Industrial	Mfr. No.	Name	Zero Duplication or Recommended Industrial	Mfr. No.	Name	Zero Duplication or Recommended Industrial	Mfr. No.	Name	Zero Duplication or Recommended Industrial
RCP71164	FUNK	6936S!	RF3702	GUY	471760	RO-29	ATP	1175	RT450B	TRANG	473215!
RCP71164	FUNK	9845	RF3932	GUY	415991	RO-4	ATP	223520!	RT502A	TRANG	472409!
RCS312	STDRL	82012	RF3932	GUY	455146!	RO1	ATP	473445	RT513547	TRANG	415498
RCS405A	STDRL	82016	RF4018	GUY	473440!	RO2358	MASSE	471733	RT514D	TRANG	472636!
RCS508	STDRL	82005	RF5409	GUY	471466!	RO2364	MASSE	474276!	RT525B	TRANG	472157!
RCS509	STDRL	82027	RF5410	GUY	471442!	RO5109A	MASSE	416107!	RT525B	TRANG	472157
RCS510	STDRL	82003	RF5613	GUY	416664!	RO5109A	MASSE	455073	RT5317	BL-KN	470530!
RCS511	STDRL	82011	RF5800	GUY	471272!	RO5118	MASSE	412943	RT5756	BU-SP	471192
RCS512	STDRL	82015	RF5801	GUY	471271!	RO5118A	MASSE	412943	RT6000A-51	BL-KN	472179
RCS706A	STDRL	82022	RF5866	GUY	471272!	RO5119A	MASSE	472439	RT6000A-52	BL-KN	473460
RCS802	STDRL	82017	RF8619	GUY	472164!	RO5121A	MASSE	417554!	RT6076	BL-KN	472179
RCS804	STDRL	82024	RF8628	GUY	470898	RO5188A	MASSE	412943	RT6223	BL-KN	473215!
RD2000	WMG	CQ2000=	RF8660	GUY	473179!	RO5519A	MASSE	472439	RT6224	BL-KN	473236!
RD325	NATL	RD311	RF8945	GUY	472150	ROLL2X	LK-BT	471689!	RT7330	BL-KN	413247!
RD33266	GAL	474281!	RH1500	ROCK	82003	ROO83041	FWD	471646!	RT7412	BL-KN	470530!
RD41543	GAL	473232	RH1501	ROCK	82005	RP5087	ITM	473229!	RT7413	BL-KN	472179
RD41544	GAL	471341!	RH1505	ROCK	82011	RQ00366	READY	473473	RT908	MINNM	473225!
RD46540	GAL	416706!	RH1507	ROCK	82001	RQ88222	READY	471763	RTB3920	GACO	470088
RD49164	GAL	417604	RL6491	HART	471554!	RQ88302	READY	473473	RTL3266	FAIRB	473266
RD49243	GAL	455356	RLE8360	CASE	473231	RQ92993	READY	471763	RW507	FED	353120
RD50	UNIVE	472636!	RM14610	HEIL	417538	RS001	EGDYN	82003	RW507D850	GMC	5458\$
RD51	UNIVE	473211!	RM14611	HEIL	416229	RS002	EGDYN	82011	RW507E850	GMC	5458\$
RD52688	GAL	415449!	RM14612	HEIL	473010!	RS003	EGDYN	82001	RW509	FED	6957=
RD52761	GAL	418028	RM14613	HEIL	471442!	RS004	EGDYN	82005	RW509850	GMC	5589\$
RD52761	GAL	455137!	RM14614	HEIL	472560N!	RS006	EGDYN	82016	RW607	FED	6971S=
RD53870	AMC	351487	RM14619	HEIL	412119!	RS012	EGDYN	BS25035	RW707	GMC	5573\$
RD54429	AMC	473367	RM14620	HEIL	416476!	RS014	EGDYN	82017	RW707	HYST	5573\$
RD54429	AMC	473367!	RM14621	HEIL	455197N	RS015	EGDYN	82022	RX1582	OLIVE	471766!
RD55363	GAL	415150!	RM14622	HEIL	471766!	RS016	EGDYN	82024	RX1583	OLIVE	471424!
RD55426	GAL	416288!	RM14624	HEIL	415088!	RS019	EGDYN	82001	RX19279	GMC	471554!
RD56	UNIVE	471762!	RM14624	HEIL	415088!	RS028	EGDYN	82015	RX44183	JOHND	415142
RE-13181	JOHND	417344!	RM14627	HEIL	471554!	RS030	EGDYN	82012	RX44565	JOHND	415995!
RE-14439	JOHND	3173	RM1463	HEIL	416271!	RS29025	ROLRL	82003	RX45715	JOHND	472157
RE11036	JOHND	39952	RM14631	HEIL	471442!	RS29030	ROLRL	82005	RX45715	JOHND	472157!
RE13310	JOHND	39956	RM14632	HEIL	416345!	RS29040	ROLRL	82016	RX45933	JOHND	471554!
RE1537	FUNK	416154!	RM14632	HEIL	455033	RS29070	ROLRL	82017	RX45951	JOHND	471554!
RE158082+100558VDR	SPG	100558	RM14633	HEIL	416865!	RS29075	ROLRL	82024	RZL12	AM CA	480630!
RE158897	JOHND	412119	RM1464	HEIL	416107!	RS29085	ROL	BS40110	S-0283343	IH	417967!
RE17352	JOHND	39954	RM1464	HEIL	455073	RS29085	ROLRL	82012	S00506	GR-RP	470380!
RE22764	JOHND	39954	RM14642	HEIL	473462	RS29095	ROLRL	82022	S02047	CARDX	471719
RE24959	JOHND	39952	RM1466	HEIL	415072	RS29130	ROLRL	82015	S02047	CARDX	455165!
RE35885	GMC	39952	RM14671	HEIL	415001!	RS29140	ROL	BS15868	S100	EIMCO	240731
RE53687	JOHND	997101	RM1468	HEIL	417357	RS29140	ROLRL	82011	S101	EIMCO	471224!
RE54073	JOHND	997100	RM1468	HEIL	455192!	RS29145	ROLRL	82027	S102	EIMCO	340724!
RES3905	CONTI	415025	RM1469	HEIL	471231!	RS29185	ROL	BS16144	S1042KH	Y-T	5119
RF10513	GUY	410987!	RM14692	HEIL	472636!	RS29200	ROL	BS27493	S1050	EIMCO	471442!
RF10513	GUY	450686	RM146A15	HEIL	470774!	RS29250	ROL	BS40265	S106	EL-MO	471231!
RF10624	GUY	415449!	RM146A173	HEIL	473467	RS29260	ROL	BS40387	S1072	C-W	416476!
RF10676	GUY	415035	RM146A189	HEIL	471466!	RS29265	ROL	BS40268	S1072	WOOL	416476!
RF14519	GUY	473214	RM146A194	HEIL	417316!	RS29270	ROL	BS40381	S107211035	WOOL	416476!
RF15232	GUY	417492	RM146A2	HEIL	416888!	RS29275	ROL	BS40380	S1077	EIMCO	470954!
RF16207	GUY	417247!	RM146A202	HEIL	415076	RS29275	ROLRL	82001	S1089	EIMCO	471795
RF16292	GUY	416135!	RM146A29	HEIL	417562	RS29295	ROL	BS5048	S109	EIMCO	471651
RF17920	GUY	473179!	RM146A34	HEIL	473234	RS29360	ROLRL	82016	S110	EIMCO	476838!
RF18517	GUY	415995!	RM146A344	HEIL	416891!	RS29365	ROL	BS40252	S110	MACK	323138!
RF18800	GUY	470898	RM146A346	HEIL	470625!	RS29450	ROL	BS40396	S1101	EIMCO	473228!
RF193	IRON	473238	RM146A390	HEIL	471554	RS29480	ROL	BS40592	S111	EIMCO	471652
RF19620	GUY	417349	RM146A8	HEIL	417357	RS29480	ROLRL	82021	S1140	EIMCO	473239!
RF20382	GUY	471689!	RM146A8	HEIL	455192!	RS29490	ROL	16267	S115	EIMCO	473427
RF20691	GUY	471820	RM146A92	HEIL	472636!	RS29550	ROL	BS40620	S1160	EIMCO	473242
RF20795	GUY	415995!	RM1612	MUSKE	BS40620	RS29630	ROL	BS40535	S1180	LETN	417562
RF20882	GUY	415458!	RM523	MUSKE	BS40380	RS29640	ROL	BS40667	S119	EIMCO	474281!
RF23395	GUY	472439	RM552	MUSKE	BS40110	RS29690	ROL	BS40578	S1200	EIMCO	473243
RF24187	GUY	471766!	RM553	MUSKE	BS40110	RS7004	BESTV	BS40380	S121	EIMCO	473205
RF2523	GUY	471316	RM557	MUSKE	BS40396	RS7006	BESTV	BS15868	S123	GRAY	473438
RF2913	GUY	472012	RM611	MUSKE	BS15868	RS7007	BESTV	BS40110	S124	EIMCO	471413!
RF2921	GUY	473214	RM663	MUSKE	BS1280	RT100S27	SHOV	415284	S125	EIMCO	471766!
RF2922	GUY	472015!	RM688	MUSKE	BS5155	RT1027	MASSE	415284	S1251	EIMCO	410752
RF2925	GUY	472164!	RO-21	ATP	223830	RT153	MINNM	473213!	S126	EL-MO	471950
RF2932	GUY	415991	RO-21	ATP	223831	RT3718	BL-KN	472179	S1275	EIMCO	416664!
RF2932	GUY	455146!	RO-27	ATP	223540	RT3719	BL-KN	416738!	S128	EIMCO	471808!
RF2956	GUY	415995!	RO-28	ATP	223830	RT3719	BL-KN	450096	S128	EL-MO	J1127

! Industrial Size/Type \$F-M Number Is Part Of A Kit

= The U.S. customer service number is 877-4-TIMKEN. The Canadian customer service numbers are 800-565-4927 (English) and 800-565-0438 (French-Canadian).

ALPHABETICAL INTERCHANGE

Mfr. No.	Name	Zero Duplication or Recommended Industrial	Mfr. No.	Name	Zero Duplication or Recommended Industrial	Mfr. No.	Name	Zero Duplication or Recommended Industrial	Mfr. No.	Name	Zero Duplication or Recommended Industrial
S129	EIMCO	474254!	S16128	CUMMI	471829	S2049A	LUF	417541	S2852	MIXMO	472164!
S129	EL-MO	473233!	S16129	CUMMI	471820	S205	EIMCO	473242	S287	EIMCO	417344!
S130	EIMCO	450341	S16130	CUMMI	415458!	S2057	IG-RA	470712!	S288	EIMCO	455310
S1301	EIMCO	415995!	S16132	FMC	470898!	S206	EIMCO	410102	S289	EIMCO	416921!
S131	EIMCO	473423	S16134	CUMMI	330385	S2065	TRANG	415138!	S290	EIMCO	455144
S1311	EIMCO	416404!	S16135	CUMMI	472287!	S207	EIMCO	416738!	S2901	MIXMO	352541
S1313	EIMCO	417621!	S16136	CUMMI	450129	S207	EIMCO	450096	S293	EIMCO	416654!
S1314	EIMCO	416288	S16136	CUMMI	472826!	S208	EIMCO	470898!	S300	EIMCO	417350!
S133	EIMCO	417621!	S16138	CUMMI	471570!	S213	EIMCO	472015!	S301	EIMCO	415995!
S134	MACK	472636!	S16140	CUMMI	471765!	S214	EIMCO	472016	S3013G	REPUB	471267!
S1350	EIMCO	415437	S16141	CUMMI	471354!	S2140	EIMCO	471466!	S3014G	REPUB	472560N!
S137	EIMCO	472258!	S16142	CUMMI	472409	S215	EIMCO	413469!	S3015G	REPUB	471413!
S137	EL-MO	J1111	S16143	CUMMI	415449!	S2166	MIXMO	473367!	S3016G	REPUB	471466!
S1386	EIMCO	417211!	S16147	CUMMI	472185!	S2166	MIXMO	473367!	S3017G	REPUB	472560N!
S139	EIMCO	473215!	S16148	CUMMI	417316!	S217	EIMCO	55087 =	S3019	MIXMO	471271!
S140	EIMCO	473446	S16149	CUMMI	473010!	S2177	EIMCO	472185!	S302	EIMCO	417351!
S140	EL-MO	473445	S16150	CUMMI	330385	S218	EIMCO	472234	S3023G	REPUB	471267!
S14048	KELSE	6064	S16151	FMC	415449!	S219	EIMCO	472018	S3024C	REPUB	474278
S141	EIMCO	473197	S16152	CUMMI	417501	S220	EIMCO	473245!	S3024C	REPUB	6859S
S142	EIMCO	413469!	S16153	CUMMI	473016!	S2202	EIMCO	472924!	S3026F	REPUB	470954
S142	EL-MO	473228!	S16154	CUMMI	471785!	S2204	GMC	471413!	S3027C	REPUB	7188S
S143	EIMCO	473016!	S16155	CUMMI	472705!	S2213	EIMCO	472015!	S3029C	REPUB	470954
S145	EIMCO	473226	S16157	CUMMI	330385	S2225	EIMCO	411376!	S3031C	REPUB	471538
S146	EIMCO	450621	S16158	CUMMI	471529	S223	EIMCO	471341!	S3036C	REPUB	474278
S147	EIMCO	473439!	S16159	CUMMI	55155 =	S225	EIMCO	472636!	S3036C	REPUB	6859S
S148	EIMCO	474276	S16161	CUMMI	471571	S228	EIMCO	415234!	S3039G	REPUB	7013S
S150	EIMCO	473227	S1617	GR-RP	471267!	S2293	EIMCO	416654	S304	EIMCO	417487
S15088	NOVO	450129	S162	EIMCO	473367	S2298	LETN	455026	S3041G	REPUB	8059S
S15088	NOVO	472826!	S162	EIMCO	473367!	S2299	LETN	417269!	S306	EIMCO	55548
S15089	NOVO	415995!	S16216	WABCO	415027 *	S2300	EIMCO	415995!	S310	CONST	472185!
S151	EIMCO	470059	S163	EIMCO	473228	S2383	LETN	416167!	S312	EIMCO	416404!
S151	EIMCO	470380!	S1631	FMC	471192	S2384	LETN	417171!	S313	EIMCO	417621!
S15171	LETN	473367!	S164	EIMCO	352541	S2385	LETN	457874	S314	EIMCO	416288!
S15171	LETN	473367!	S1642	GR-RP	471808!	S2386	LETN	417539!	S315	EIMCO	55386
S153	EIMCO	240319	S165	EIMCO	450275	S2388	EIMCO	415034!	S319	EIMCO	417490
S154	EIMCO	473458!	S167	EIMCO	473232	S244	CONST	471887	S3208	MIXMO	416345!
S15415	C-P	471354!	S1699	GR-RP	481163!	S250	EIMCO	411245!	S3208	MIXMO	455033
S15485	NOVO	473016!	S1700	GR-RP	472397!	S2500	EIMCO	415725!	S3216	MIXMO	415041
S155	EIMCO	450326	S1715	LETN	450273	S253	EIMCO	471271!	S3246	MIXMO	417546!
S1550	EIMCO	416107!	S176	EIMCO	472164!	S254	EIMCO	415001!	S325	EIMCO	476470
S156	EIMCO	416892!	S1765	WOOL	415047	S255	EIMCO	40555	S3254	MIXMO	455079!
S15804485A000	EMRSN	471549!	S177	EIMCO	471141!	S255	EIMCO	40555S!	S3276	MIXMO	416282
S160	EIMCO	473229	S178	EIMCO	473448	S2580	MIXMO	473446	S328	EIMCO	415023
S161	EIMCO	415294!	S179	EIMCO	42352S	S2601	EIMCO	471554!	S329	EIMCO	415023
S16100	CUMMI	471224!	S1796	CUMMI	473367!	S2601	LETN	471192	S336	EIMCO	415442!
S16101	CUMMI	471766!	S1800	CUMMI	470530!	S2603	LETN	417512	S336	EIMCO	55442
S16103	CUMMI	471192	S1805F162	CUMMI	417487!	S2604	EIMCO	473215!	S338	EIMCO	417191
S16106	CUMMI	471103!	S1805F162	CUMMI	417487	S2604	LETN	412943	S338	EIMCO	455165!
S16106	FMC	415138!	S181	EIMCO	473450	S2610	EIMCO	471224!	S339	EIMCO	455249!
S16106	TRANG	415138!	S184	EIMCO	473451!	S2611	EIMCO	471413	S340	ELGIN	223340
S16108	CUMMI	476838!	S185	EIMCO	473239	S2615	MIXMO	473467	S350	EIMCO	415437
S16109	CUMMI	417621	S1855	CUMMI	415060	S2616	EIMCO	6309 =	S360	EIMCO	415991
S16110	CUMMI	472924!	S1855	CUMMI	455060	S2617	MIXMO	472572!	S360	EIMCO	455146!
S16111	CUMMI	471649!	S186	EIMCO	473240!	S2621	EIMCO	472636!	S3621	CARDX	417191
S16113	CUMMI	473458!	S187	EIMCO	410524	S2625	EIMCO	240736	S3621	CARDX	455165!
S16114	CUMMI	416654!	S188	EIMCO	473238	S263	CONST	416239!	S363	EIMCO	415937!
S16115	CUMMI	470059	S189	LETN	415025	S263	EIMCO	415483!	S3637	EIMCO	J1355 =
S16115	CUMMI	470380!	S190	LETN	455406!	S265	CONST	473444	S366	EIMCO	415379
S16116	CUMMI	472409	S1918	CUMMI	471466!	S265	EIMCO	417082	S366	EIMCO	415379!
S16118	CUMMI	472636!	S197	EIMCO	50528	S2655	EIMCO	415447	S3665	EIMCO	J1117
S16119	CUMMI	473464	S199	EIMCO	352541	S2660	MIXMO	471763	S3679	MIXMO	473367!
S16119	CUMMI	473464!	S200	EIMCO	472492!	S2677	MIXMO	450177	S3679	MIXMO	473367
S16120	CUMMI	470059	S2002	CUMMI	473215!	S268	EIMCO	455151	S3680	MIXMO	415437
S16120	CUMMI	470380!	S2013	LUF	471766!	S2684D	JOHND	473179!	S380	EIMCO	415958
S16121	CUMMI	470950!	S202	EIMCO	472924!	S2786	MIXMO	474274	S380	EIMCO	415958!
S16121	CUMMI	6241S	S2021	LUF	472185!	S279	EIMCO	415303!	S381-26-157	VILA	710150
S16122	CUMMI	471744!	S2025	LUF	471870!	S280	EIMCO	417316!	S390	EIMCO	415034!
S16123	CUMMI	470712!	S2027B	LUF	471341!	S281	EIMCO	417484!	S400	CLOYE	223400
S16124	CUMMI	411253!	S2032	LUF	416654!	S2819	MIXMO	481163!	S400	ELGIN	223400
S16125	CUMMI	473232	S2035	LUF	476470!	S2828	MIXMO	470328	S401	EIMCO	417356!
S16126	CUMMI	473214!	S2035	LUF	476470	S2828	MIXMO	481213!	S401	EIMCO	455188
S16127	CUMMI	473228	S2049	CUMMI	470334!	S284	EIMCO	475384	S410	ELGIN	223410

! Industrial Size/Type * Minor Width Difference

= The U.S. customer service number is 877-4-TIMKEN. The Canadian customer service numbers are 800-565-4927 (English) and 800-565-0438 (French-Canadian).

Mfr. No.	Name	Zero Duplication or Recommended Industrial	Mfr. No.	Name	Zero Duplication or Recommended Industrial	Mfr. No.	Name	Zero Duplication or Recommended Industrial	Mfr. No.	Name	Zero Duplication or Recommended Industrial
S410	ELGIN	710416	S760423	MIXMO	240151	SA15511	CLARK	472150	SC5478	LETN	411376!
S412	EIMCO	415043	S76619	C-P	40504S =	SA15872	CLARK	470950!	SC5485	LETN	417344!
S413	EIMCO	417512	S79567	C-P	40370S	SA15872	CLARK	6241S	SC5531	LETN	470530!
S4135	CARDX	411253!	S80	EIMCO	470954	SA16434	CLARK	450073	SC555	FMC	455396
S414	EIMCO	455203	S8337	JOHND	450765!	SA16899	CLARK	416154!	SC7611	LETN	416654!
S415	EIMCO	415295	S84143	C-P	472560N	SA17087	CLARK	472492!	SC8133	LETN	417191
S420T	ELGIN	223420	S843	LETN	473245!	SA17393	CLARK	240731	SC8133	LETN	456585
S425	EIMCO	472157!	S844F-6701-AA	FORD	712100	SA17781	CLARK	351028	SC8674	LETN	417485
S425	EIMCO	472157	S85318	C-P	472311!	SA17918	CLARK	413248	SC8675	LETN	455032!
S4250	CARDX	415007	S85513	GMC	416888!	SA179543	BENDI	471267!	SC8965	LETN	416154!
S430	EIMCO	455197N	S86830	C-P	471267!	SA18965	CLARK	370021A	SD1-10005176	SELAS	3698
S4326	SPG	342805	S86832	C-P	416404!	SA19653	CLARK	416070	SD1014	CONTI	JV1136
S452	EIMCO	416154!	S86B1535	GREEN	240731	SA20407	CLARK	6663S	SD113X2	FAWIC	415045!
S455	EIMCO	416892!	S86B428	GREEN	240736	SA30050	CLARK	471538!	SD113X3	FAWIC	415036
S4553	LETN	415437	S87	EIMCO	471570!	SA30119	CLARK	350156	SD113X4	FAWIC	472144!
S4553	LETN	415437!	S88	EIMCO	471267!	SA30119	CLARK	473096	SD113X5	FAWIC	415437
S465154	MIXMO	410308!	S89	EIMCO	470590	SA30614	CLARK	5865	SD113X5	FAWIC	415437!
S480785	MIXMO	5751	S8900	LETN	417158!	SA31026	CLARK	416422	SD113X6	FAWIC	455406!
S4809112	MIXMO	455336	S93	EIMCO	50419	SA31030	CLARK	415371	SD1827	STDFG	6663S
S480946	MIXMO	5921	S96168	CASE	416888!	SA31076	CLARK	415076	SD2289	LETN	416892!
S490	EIMCO	417273	S9694	LETN	471579	SA31305	CLARK	417344!	SD2516	LETN	455310
S501	EIMCO	417278	S9697	LETN	415711	SA31409	CLARK	472636!	SD3008	LETN	416107!
S502	EIMCO	417541	S971	LETN	415351!	SA31568	CLARK	415146!	SD3008	LETN	455073
S51	EIMCO	471442!	S977	MACK	450400	SA31568	CLARK	415991	SD5430	LETN	415991
S5265	EIMCO	417082	S99	EIMCO	450457	SA31670	CLARK	204017	SD5430	LETN	415991!
S538	EIMCO	455576!	S9900	MASSE	473461!	SA31713	CLARK	471341!	SD553487	SELAS	8610
S5452	EIMCO	416154!	S9901	MASSE	50528	SA33616	CLARK	417344!	SD5885	LETN	413469!
S560	EIMCO	415447	S9904	LILIS	473236!	SA33990	CLARK	473228	SD6612	LETN	417491
S600	EIMCO	415072	S9904	MASSE	473236!	SA34395	CLARK	J1125	SD8181	GMC	470898
S6050	WHITE	415449!	S9905	MASSE	473214	SA34776	CLARK	470605!	SD970	HU-WR	471554!
S6051	WHITE	417344!	S9906	MASSE	450474	SA35449	CLARK	417247!	SD9705	LETN	417598
S6053	ROCKW	476838!	S9907	MASSE	472258	SA35454	CLARK	415001!	SE-10	CTD	203025
S6053	WHITE	476838!	S9908	MASSE	410987 =	SA40627	CLARK	417269	SE-11	CTD	203013
S6054	WHITE	471554!	S9910	CONTI	473423	SA45107	CLARK	473237!	SE-12	CTD	204017
S6056	WHITE	473367	S9910	MASSE	473423	SA45120	CLARK	470565!	SE-13	CTD	204038
S6056	WHITE	473367!	S9911	MASSE	470954!	SA48949	CLARK	415035	SE-13X	CTD	40183S
S6101	WHITE	472572!	S9912	MASSE	471829	SA48950	CLARK	417385V =	SE-15	CTD	204027
S6102	WHITE	412943	S9922	MASSE	471835!	SA48951	CLARK	415172V =	SE-16	CTD	204506
S6103	WHITE	473467!	S9925	MASSE	471760	SA48955	CLARK	416362V =	SE-16	CTD	415082
S6104	WHITE	416339	S9931	MASSE	413247!	SA4996	CLARK	416921!	SE-16	CTD	446631 * =
S6104	WHITE	455031!	S9932	MASSE	472924!	SA5043	CLARK	472185!	SE-19	CTD	204005
S6105	WHITE	472636!	S9936	MASSE	480630!	SA5195	CLARK	417507	SE-21	CTD	412027
S6106	WHITE	412943	S9937	MASSE	471224!	SA5195	CLARK	417507!	SE-22	CTD	470460 =
S6108	WHITE	473228	S9940	MASSE	418028	SA5208	CLARK	415036	SE-23	CTD	204035
S6109	WHITE	411253!	S9940	MASSE	455137!	SA5889	CLARK	471504!	SE-24	CTD	43073S
S6110	WHITE	450593!	S9942	MASSE	470774!	SA64601	EATON	712625	SE-25	CTD	204508 *
S6112	WHITE	472179	S9943	MASSE	415150!	SA6725	CLARK	417210!	SE-26	CTD	412920 *
S6119	CUMMI	415995!	S9948	MASSE	470712!	SA7465	CLARK	417488!	SE-29	CTD	43670 *
S6207	WHITE	411245!	S9949	MASSE	473010!	SA7753	CLARK	472924!	SE-30	CTD	455253 *
S6208	WHITE	415449!	SA10028	CLARK	417354!	SA7794	CLARK	471264!	SE-31	CTD	55337
S6209	WHITE	415302	SA10177	CLARK	417344!	SA8814	CLARK	418028	SE-33	CTD	5071
S6212	WHITE	417316!	SA10279	CLARK	415991	SA8856	CLARK	45031S	SE-34	CTD	40286
S6214	WHITE	417158!	SA10279	CLARK	455146!	SA9177	CLARK	471763	SE-35	CTD	455079
S6249	LETN	417509	SA10570	CLARK	415263	SA9962	CLARK	415991	SE-36	CTD	455655
S62491	LETN	417509	SA10612	CLARK	472492!	SA9962	CLARK	455146!	SE-37	CTD	42421S *
S625	EIMCO	417562	SA10792	CLARK	470898	SB-938151	AMGEN	8430S	SE-38	CTD	204506 *
S630	EIMCO	415294!	SA10951	CLARK	481163!	SB-994258	AMGEN	473228	SE-40	CTD	41013S
S6302	WHITE	417171!	SA11361	CLARK	415995!	SB-994261	AMGEN	9912	SE-41	CTD	204506
S6305	WHITE	415960	SA12158	CLARK	6886S	SB-998092	AMGEN	5778	SE-42	CTD	45013S *
S6312	WHITE	417181!	SA12419	CLARK	471316	SB103	GARCI	BS5155	SE-43	CTD	204020
S6314	WHITE	415138!	SA12495	CLARK	417556	SB106	GARCI	BS5974	SE-43	CTD	204505 *
S63323	C-P	240356	SA13011	CLARK	416125!	SB207	COFAP	6936S	SE-44	CTD	204508
S63324	C-P	473466	SA13104	CLARK	470565!	SB279	GARCI	BS5048	SE-45	CTD	204078 =
S64	EIMCO	471466!	SA13222	CLARK	455117	SB901241178	JOY	412473!	SE-47	CTD	410102
S65038	CASE	417344!	SA13223	CLARK	415683	SBG41M91723	CINMI	471442!	SE-48	CTD	415088
S65046	C-P	471750!	SA13332	CLARK	415035	SC1508	LETN	411348!	SE-54	CTD	416149
S6616	LETN	472144!	SA13332	CLARK	415035!	SC160	EMSCO	417181!	SE-56	CTD	471747
S72	EIMCO	50026	SA13437	CLARK	415379!	SC2504	LETN	416339	SE-57	CTD	204506 *
S7214	WHITE	417158!	SA13437	CLARK	415379	SC2504	LETN	455031!	SE-58	CTD	46997S
S7215	WHITE	415960!	SA13514	CLARK	415995!	SC2978	LETN	416921!	SE-59	CTD	412725
S7243	LETN	472439	SA13587	CLARK	6547	SC4613	LETN	415995!	SE-61	CTD	254270
S7306	WHITE	415023	SA14931	CLARK	417541	SC525	LETN	472185!	SE-62	CTD	470460 * =

ALPHABETICAL INTERCHANGE

! Industrial Size/Type * Minor Width Difference

= The U.S. customer service number is 877-4-TIMKEN. The Canadian customer service numbers are 800-565-4927 (English) and 800-565-0438 (French-Canadian).

Zero Duplication or Recommended Industrial		Zero Duplication or Recommended Industrial		Zero Duplication or Recommended Industrial		Zero Duplication or Recommended Industrial		
Mfr. No.	Name	Mfr. No.	Name	Mfr. No.	Name	Mfr. No.	Name	
SE-63	CTD	473473*	SK31097 CLARK	471281!	SKS52245 HYST	5705* =	SN4388 GMC	415137!
SE-64	CTD	204013	SK31284 CLARK	472572!	SKT1301854 SPICE	473235!	SN4388 GMC	418028
SE-65	CTD	204020	SK35895 CLARK	417433 =	SKT22273 GMC	418028	SN4415 GMC	417316!
SE1000008	AM BO	350364	SK3880 CHRYS	471271!	SKT22273 GMC	455137!	SN6653 GMC	5406
SE1015	AM BO	471765	SK4328 CLARK	472287!	SKT22273 SPICE	418028	SN6933 GMC	470898
SE3013	AM BO	350156	SK4412 CLARK	474254!	SKT22273 SPICE	455137!	SN6955 GMC	353141!
SE3013	AM BO	473096	SK4514 CLARK	473010!	SKT22419 SPICE	472015!	SN9693 GMC	472394
SF1707	LETN	417520	SK4572 CLARK	471744!	SKT22844 SPICE	416167!	SO1 ATP	7442H
SF1707	WABCO	417520	SK4739 CLARK	415995!	SKT23217 SPICE	473228	SO2 ATP	342805
SF17073	LETN	417520	SK4769 CLARK	415991	SKT24088 SPICE	415995!	SP-35702 SHOVS	415437
SF1708	LETN	415645!	SK4769 CLARK	455146!	SKT24089 SPICE	417484!	SP-35702 SHOVS	415437!
SF1708	LETN	455104	SK4834 CLARK	470328	SKT24095 SPICE	471570!	SP010371 LUF	472164!
SF1723	LETN	417247!	SK4834 CLARK	481213!	SKT25231 SPICE	415035	SP010732 LUF	411376!
SF1724	LETN	416476!	SK51537 SPICE	450400	SKT25231 SPICE	415035!	SP010745 LUF	417247!
SF17241	LETN	416476!	SK5223 CLARK	412943	SKT25601 GMC	417344!	SP010746 LUF	415072
SF4150	LETN	450124 =	SK5264 CLARK	240731	SKT25601 SPICE	417344!	SP010747 LUF	417606
SF4150	WABCO	450124 =	SK5329 CLARK	415458!	SKT26824 SPICE	471554!	SP010749 LUF	410059
SF41501	LETN	450124 =	SK5338 CLARK	473447	SKT27711 SPICE	412119!	SP010749 LUF	470380!
SF4210	LETN	415437	SK5409 CLARK	415001!	SKT27720 SPICE	482253	SP010775 LUF	417349!
SF4210	LETN	415437!	SK5426 CLARK	416332!	SKT27824 SPICE	5976S	SP010776 LUF	415991
SF5344	LETN	415284	SK55566 GMC	417316!	SKT27971 SPICE	415988	SP010776 LUF	455146!
SF5345	LETN	416345!	SK6244 CLARK	473179!	SKT27978 SPICE	412119!	SP010777 LUF	472157!
SF5345	LETN	455033	SK6303 CLARK	470565!	SKT29097 SPICE	470565!	SP010777 LUF	472157
SF53456	WABCO	416345!	SK6474 CLARK	470334!	SKT30561 SPICE	473235!	SP010778 LUF	416865!
SF53456	WABCO	455033	SK65795 GMC	416664!	SKT31377 SPICE	472397!	SP010779 LUF	415867
SF5346	LETN	417205!	SK6739 CLARK	471192	SKT31380 SPICE	471821!	SP010780 LUF	417606
SF5347	LETN	476470	SK700723 GMC	415035	SKT37866 SPICE	472705!	SP010792 LUF	415995!
SF53471	LETN	476470	SK7084 CLARK	416404!	SKT41977 SPICE	416339	SP010794 LUF	415027!
SF5348	LETN	416229	SK7695 CLARK	415449!	SKT41977 SPICE	455031!	SP010794 LUF	415027
SF53481	LETN	416229	SK793 SCHWI	J1115	SKT42821 SPICE	416888!	SP010812 LUF	418028
SG1Q	ATP	342805	SK800723 GMC	416147	SKT42913 SPICE	455019!	SP010812 LUF	455137!
SG2031	LETN	415437	SK8286 CLARK	472636!	SKT43885 SPICE	473238	SP10 SHOVS	471138!
SG2031	LETN	415437!	SK8596 CLARK	415263	SKT44550 SPICE	415379	SP120572 SHOVS	415138!
SG2034	LETN	415142	SK8739 CLARK	415379	SKT44550 SPICE	415379!	SP22512 SHOVS	415187
SG2036	LETN	472492!	SK8739 CLARK	415379!	SKT44966 SPICE	473238	SP2367 LETN	455134
SG2039	LETN	455134!	SK8890 CLARK	470954!	SKT44976 SPICE	471705!	SP24391 LETN	255833 =
SG21A	ATP	8792S	SK8893 CLARK	471442!	SKT45107 SPICE	472179	SP24392 LETN	255833 =
SG4302	LETN	455336	SKA1601134 SPICE	471950	SKT48669 SPICE	417267	SP35542 SHOVS	417254
SG4349	LETN	415138!	SKA1618982 SPICE	2043	SKT50913 SPICE	471272!	SP35543 SHOVS	415991
SG43492	LETN	415138!	SKA16333 SPICE	5778	SKT51818 SPICE	473231	SP35543 SHOVS	455146!
SG43496	WABCO	415138!	SKA165229 SPICE	482253	SKT71069 SPICE	350909	SP505 SHOVS	471138!
SG7	CALSO	410524	SKA165547 SPICE	240736	SKT71069 SPICE	471224!	SP6516 STEEL	471554!
SG7067	LETN	7208S	SKA167989 SPICE	450503 =	SKT71076 SPICE	471765!	SP6517 STEEL	450398
SG7612	LETN	415937!	SKA168814 SPICE	472258!	SKT71447 SPICE	470954!	SP6517 STEEL	471267!
SG8717	LETN	417298	SKA169120 SPICE	40061S =	SKT72405 SPICE	417621!	SP67127S MESC	1994
SGL68X95X13	GACO	226840	SKA24751 SPICE	472234	SKT72993 SPICE	470898	SP67127S MESC	48X70X9!
SGR42609A	NOK	2025	SKA24807 SPICE	473448	SKT75966 SPICE	330385!	SP75906 LUF	476470
SK10045	CLARK	417316!	SKA43746 SPICE	472179	SKT84544 SPICE	415146!	SP76127 LUF	473243
SK10088	CLARK	345035	SKA43747 SPICE	40183S!	SKT84544 SPICE	415991	SP76371 LUF	473228
SK10332	CLARK	473405	SKA44871 SPICE	474274	SKT84582 SPICE	470898	SP76700 LUF	416888!
SK12336	CLARK	416706!	SKA46857 SPICE	40059S	SKT85537 SPICE	471466!	SPR1434 HU-WR	417223
SK12413	CLARK	474254!	SKA65289 SPICE	471835!	SKT87304 SPICE	473243	SS-64234 VIC	370008A
SK1283	HYST	417181!	SKA65765 SPICE	6808N	SKTM56763 SPICE	416404!	SS-68003 VIC	386025A
SK13081	CLARK	471835!	SKA69076 SPICE	471192	SKTM56764 SPICE	481073	SS-68003 VIC	416158
SK13082	CLARK	472164!	SKA69835 SPICE	450159	SKTM56786 SPICE	417533	SS-68004 VIC	370005A
SK13505	CLARK	416404!	SKA70152 SPICE	450808	SKTM56798 SPICE	455197N	SS-68005 VIC	370107A
SK14164	CLARK	417316!	SKB37478 SPICE	417267	SKW140233 SPICE	416288!	SS-68006 VIC	370003A
SK15028	CLARK	415449!	SKB41934 SPICE	416345!	SKW140577 SPICE	472164!	SS-68007 VIC	370037A
SK16892	CLARK	413247!	SKB41934 SPICE	455033	SKW140799 SPICE	471344	SS-68007 VIC	370338A
SK17271	SPICE	40769S	SKB49361 SPICE	5976S	SKW141443 SPICE	473204	SS46057 VIC	5589
SK1767	CLARK	472258!	SKB49363 SPICE	416229	SL10405 FORD	416404!	SS460571 VIC	5589
SK1829	CHRYS	7412S	SKG49524 SPICE	416158	SL11171 FORD	472705!	SS46098 VIC	5200
SK20257	CLARK	473245!	SKG53896 SPICE	417343!	SL6050 LETN	417602!	SS46140 VIC	5201
SK20883	CLARK	473245!	SKH47752 SPICE	45637S	SL6051 LETN	417602!	SS46257 VIC	5204
SK2187	GMC	415284	SKH52164 SPICE	417621!	SL9351 CATER	472287!	SS46264 VIC	5320 =
SK25899	CLARK	471276	SKH53119 SPICE	418029!	SM0454 NATEN	417539!	SS46328 VIC	5200
SK25906	CLARK	472164!	SKH53422 SPICE	471549!	SM1636 NATEN	417543	SS46328SF VIC	5200
SK25910	CLARK	473197	SKH54128 SPICE	418029!	SM7101 MC-NO	471344	SS46369 VIC	471801!
SK25911	CLARK	471466!	SKL1667355 GE	473445	SM93 PETTI	473010!	SS46489 VIC	471272
SK27234	SPICE	472572!	SKN1800047 SPICE	471504!	SM95 PETTI	415483!	SS46753 VIC	6649
SK27319	CLARK	415349 =	SKN1800048 SPICE	416865!	SMA220 VIC	471413 =	SS46829 VIC	370027A
SK28389	CLARK	471267!	SKS351106 HYST	417537	SMA262 SPICE	476470 =	SS46841 VIC	370065A

! Industrial Size/Type * Minor Width Difference

= The U.S. customer service number is 877-4-TIMKEN. The Canadian customer service numbers are 800-565-4927 (English) and 800-565-0438 (French-Canadian).

Mfr. No.	Name	Zero Duplication or Recommended Industrial	Mfr. No.	Name	Zero Duplication or Recommended Industrial	Mfr. No.	Name	Zero Duplication or Recommended Industrial	Mfr. No.	Name	Zero Duplication or Recommended Industrial
SS46841-1	VIC	370026A	SS49932	VIC	5401	SS64584	VIC	417505	T10567	TROS	471267!
SS46841-3	VIC	370020A	SS49933	VIC	5403	SS64589	VIC	417506	T10660S	TROS	471442!
SS468414	VIC	370065A	SS49934	VIC	5405	SS64589	VIC	5089	T10708S	TROS	410708
SS46842	VIC	370036A	SS49950	VIC	5406	SS64603	VIC	370003A	T10719S	TROS	471984
SS46842	VIC	370349A	SS49955	VIC	5410	SS66734	VIC	1943	T10814S	TROS	471344
SS46842-1	VIC	370036A	SS49969	VIC	5452	SS66740	VIC	224220	T11275S	TROS	476470!
SS46842-1	VIC	370349A	SS49970	VIC	5406	SS66740	VIC	42X56X7!	T11275S	TROS	476470
SS46842-1	VIC	380036A	SS49998	VIC	5453	SS66740	VIC	494117	T11501317	CHRY	471506
SS46842-4	VIC	370036A>	SS49999	VIC	6643S	SS66755	VIC	225110	T11656	COC	473467!
SS46842-4	VIC	370349A%	SS61197	VIC	5065	SS66802	VIC	1175	T11721	COC	5M403
SS46845	VIC	370036A	SS62106	VIC	3492V	SS66802	VIC	223840*	T11835	COC	471764!
SS46845	VIC	370349A	SS62106	VIC	5665	SS66872	VIC	800451	T11854	COC	471766!
SS46847	VIC	370037A>	SS62700	VIC	5625	SS6691	VIC	4899	T11879T	JOHND	420
SS46847	VIC	370338A%	SS64225	VIC	370013A	SS66912	VIC	5695	T11936	COC	472258
SS46848	VIC	370107A	SS64225-2	VIC	370002A	SS66914	VIC	5696	T11943	COC	473226
SS46848-1	VIC	370036A	SS64227	VIC	370012A	SS66914	VIC	5700	T11961	COC	415449!
SS46848-1	VIC	370349A	SS64227-2	VIC	370002A	SS66926	VIC	710097	T12926	CASE	204008
SS46849	VIC	370027A	SS64227-3	VIC	370012A	SS67139	VIC	5700	T13305	COC	240414
SS47095	VIC	J1119+417344!	SS64229	VIC	370002A	SS68001	VIC	370036A	T13306	COC	240414
SS47275	VIC	5499=	SS64231	VIC	370029A	SS68001	VIC	370349A	T13306	WHITE	240414
SS47275	VIC	5573	SS64231-1	VIC	370011A	SS68002	VIC	370065A	T1349595	AMC	225020
SS472751	VIC	5573	SS64234-3	VIC	370008A	SS68008	VIC	386025A	T1349596	AMC	229005
SS47361	VIC	5202	SS64236	VIC	386025A	SS68008	VIC	416158	T1349626	CHRY	1172
SS47362	VIC	5203	SS64236	VIC	416158	ST1013	HOUGH	472157	T13501317	CHRY	370023A
SS47407	VIC	5666	SS64238	VIC	370004A	ST1013	HOUGH	472157!	T140	GERL	415991
SS47515	VIC	5397	SS64238-2	VIC	370121A	ST22518	CLARK	470088	T140	GERL	455146!
SS47535	VIC	5599*=	SS64238-3	VIC	370121A	ST331	VIC	16300	T140009	TROS	240009
SS47537	VIC	5629	SS64240-1	VIC	370192A	ST332	VIC	16301	T140009S	TROS	471466
SS47592	VIC	PSK-1	SS64240-2	VIC	370192A	ST333	VIC	16302	T140364	TROS	350364
SS47650	VIC	476470!	SS642403	VIC	370057A	ST334	VIC	16303	T140629	TROS	481537
SS47777	VIC	5487	SS64410	VIC	370027A	ST339	VIC	16304	T140771	TROS	340771
SS47778	VIC	5473	SS64412	VIC	370002A	ST51258	CLARK	455330!	T145035	TROS	345035
SS477781	VIC	5481	SS64412-1	VIC	370011A	STD1473	AVCO	471765!	T145637	TROS	45637S
SS47781	VIC	5473	SS64412-3	VIC	370002A	STD1484	AVCO	473236!	T14720	CASE	200110
SS47786	VIC	5494	SS64414	VIC	370001A	STD1568	AVCO	472164!	T15013S	TROS	415995!
SS47789	VIC	5460	SS64415	VIC	370124A	STD1569	AVCO	473214!	T15095S	TROS	416271!
SS47795	VIC	417506	SS64415-1	VIC	370015A	SU8854	LF-PT	471337	T15149	TROS	417343!
SS47795	VIC	5563	SS64437	VIC	370057A	SV125	LETN	417556	T15177S	TROS	415379
SS47795-1	VIC	417505	SS64437-2	VIC	370005A	SX13830	ALLCH	412040	T15192S	TROS	415192N
SS47866	VIC	5624	SS64443	VIC	370030A	SX13831	ALLCH	470898!	T15281S	TROS	417349
SS47869	VIC	370019A	SS64456	VIC	370002A	SX46673	JOHND	411394!	T15379S	TROS	415379
SS47870	VIC	5460	SS64460	VIC	417172	SX47271	JOHND	415379	T15899S	TROS	415899N
SS47877	VIC	370046A	SS64462	VIC	370015A	SX47271	JOHND	415379!	T15899S	TROS	416624
SS47878	VIC	370069A	SS64464	VIC	370145A	T-351406	HYST	471766!	T15939	COC	470954
SS47878	VIC	380069A	SS64468	VIC	370007A	T-351417	HYST	471271!	T16038Z	WITTE	470625!
SS47880SF	VIC	370047A	SS64471	VIC	417172	T-371474	HYST	471570!	T16377	HARN	416888!
SS47880SF	VIC	5649	SS64482	VIC	415958	T-429735	HYST	415027	T19580	JOHND	340835
SS47882	VIC	417360	SS64487	VIC	417134	T-429735	HYST	415027!	T19761613	HYST	200861
SS47883	VIC	370033A	SS64491	VIC	370011A	T-77612081	CHRY	417350!	T19761614	HYST	JV933
SS47885	VIC	418028	SS64495	VIC	370033A	T0247576	CHRY	710196	T19802	JOHND	473474
SS47887	VIC	370012A	SS64502	VIC	418028	T0695940	RENAU	716102	T19802T	JOHND	473474
SS47889	VIC	370019A	SS64511	VIC	370012A	T0725410	RENAU	222556	T200	BUTBN	471735
SS47890	VIC	370005A	SS64530	VIC	370001A	T10055S	TROS	473215!	T200117	HYST	311197
SS47891	VIC	370021A	SS64534	VIC	370054A	T10059S	TROS	410059	T20036	CASE	453279!
SS47983	VIC	370150A	SS64536	VIC	370023A	T10059S	TROS	470380!	T20076S	TROS	470334!
SS48005	VIC	415035	SS64538	VIC	370132A	T101	BUTBN	471766!	T20081	CASE	204035
SS48048	VIC	416154!	SS64539	VIC	370131A	T10121S	TROS	472409	T20120	TROS	471224!
SS48173	VIC	417365	SS64539	VIC	455685	T10136S	TROS	470625!	T20223	JOHND	343101
SS49212	VIC	470354	SS64541	VIC	370011A	T10160	TROS	471763	T202964	CUMMI	471795
SS49251	VIC	470354	SS64542	VIC	416892	T10163S	TROS	471766!	T205006	TROS	203006!
SS49521	VIC	470354	SS64546	VIC	370006A	T10171S	TROS	473016!	T205007	TROS	6489
SS49521-1	VIC	470354	SS64550	VIC	416888!	T10181	CASE	411253!	T205008	TROS	205017
SS49742	VIC	5458	SS64553	VIC	370019A	T1021	GERL	472397!	T205017	TROS	204017
SS49745	VIC	416271!	SS64558	VIC	370047A	T10219	TROS	471649!	T219	BUC-E	416892!
SS49745	VIC	5066	SS64558	VIC	9584	T10308	TROS	410308!	T220120	TROS	471224!
SS49788	VIC	5797	SS64558-1	VIC	415437	T10308S	TROS	410308!	T220301	TROS	472397!
SS49857	VIC	6077	SS64561	VIC	370046A	T1033	GERL	417509	T22069	JOHND	471192
SS49905	VIC	6465	SS64564	VIC	370046A	T10441S	TROS	471341!	T22101	JOHND	240733
SS49908	VIC	6465	SS64567	VIC	415058	T10482D	HARN	415995!	T22101T	JOHND	240733
SS49927	VIC	62455=	SS64569	VIC	370069A	T10482P	HARN	415995!	T22198	JOHND	472419
SS49929	VIC	5408	SS64569	VIC	380069A	T10482P	HARN	415995!	T22260	JOHND	471267!
SS499291	VIC	5408	SS64571	VIC	416865	T10496S	TROS	410496!	T225003	TROS	415458!

ALPHABETICAL INTERCHANGE

! Industrial Size/Type * Minor Width Difference > Hub Mount % Spindle Mount
 = The U.S. customer service number is 877-4-TIMKEN. The Canadian customer service numbers are 800-565-4927 (English) and 800-565-0438 (French-Canadian).

Zero Duplication or Recommended Industrial		Zero Duplication or Recommended Industrial		Zero Duplication or Recommended Industrial		Zero Duplication or Recommended Industrial	
Mfr. No.	Name	Mfr. No.	Name	Mfr. No.	Name	Mfr. No.	Name
T225086	TROS	T340364	TROS	T448180	HYST	T54429	CASE
T225086	TROS	T34037	CASE	T44819	HYST	T55049	TROS
T225146	TROS	T340950	TROS	T44819	HYST	T55051	TROS
T225146	TROS	T35003	TROS	T448239	HYST	T55052	TROS
T230737	TROS	T35004	TROS	T450055	TROS	T55052S	TROS
T235070	TROS	T35009	TROS	T450061	TROS	T55054	TROS
T235086	TROS	T35012	TROS	T450061	TROS	T55060	TROS
T235086	TROS	T35012S	TROS	T450076	TROS	T55062	TROS
T235095	TROS	T35013	TROS	T451143	TROS	T55064	TROS
T235315	TROS	T35013	TROS	T451147	TROS	T55075	TROS
T235348	TROS	T35016S	TROS	T465147	HYST	T55124	TROS
T235354	TROS	T35018S	TROS	T465147	HYST	T55128	TROS
T235498	TROS	T35018S	TROS	T465148	HYST	T55129	TROS
T235949	TROS	T35070	TROS	T46629	HYST	T55172S	TROS
T23709	CASE	T350936	TROS	T470441	TROS	T55188	TROS
T23902	JOHND	T35095S	TROS	T470684	TROS	T55189	TROS
T23902T	JOHND	T35101	TROS	T480212	HYST	T55197	TROS
T240141	TROS	T35101S	TROS	T480330	TROS	T55232	TROS
T240185	TROS	T351071	TROS	T481193	TROS	T55234	TROS
T240791	TROS	T35137	TROS	T481195	TROS	T55251	TROS
T247667	HYST	T35137	TROS	T485921	TROS	T55251S	TROS
T24919	JOHND	T35146	TROS	T49569	TMTR	T55356	TROS
T25013S	TROS	T35146	TROS	T50000	OLIVE	T55354	TROS
T25016S	TROS	T35156	TROS	T50000	ROCKW	T55363	TROS
T250203	TROS	T35322	TROS	T50000	TMTR	T55371	TROS
T250H	MC-NO	T35348S	TROS	T50006	TROS	T55380	TROS
T251076	TROS	T35380	TROS	T50016	TROS	T55452	TROS
T25112	JOHND	T354106	HYST	T50017	TROS	T55476	TROS
T25147S	TROS	T354119	HYST	T50030	TROS	T55498	TROS
T254	BUTBN	T35422S	HYST	T50041EXA	HARN	T55511	TROS
T260024	HYST	T358160	HYST	T50044EX	HARN	T55581	TROS
T260025	HYST	T358160	HYST	T50051EXA	HARN	T55718	TROS
T260H	MC-NO	T36622	HYST	T50122	TROS	T5577	TROS
T266D	MC-NO	T371358	HYST	T50188	TROS	T55963S	TROS
T270F	MC-NO	T37225	JOHND	T50248	TROS	T5797	TROS
T271F	MC-NO	T37297	CASE	T50261	TROS	T5833	TROS
T272F	MC-NO	T37799	CASE	T50273	TROS	T5846	TROS
T274	BUTBN	T39278	CASE	T50275	TROS	T5919S	TROS
T274F	MC-NO	T39419	JOHND	T50280	TROS	T5935	TROS
T277G	MC-NO	T40047	CASE	T50311	TROS	T59401	TROS
T27809	CASE	T40063	TROS	T50362	TROS	T5961	TROS
T27809	CASE	T40555S	TROS	T50375	TROS	T5961	TROS
T286280	HYST	T40555S	TROS	T50431	TROS	T59760S	TROS
T287P	MC-NO	T40556	TROS	T50457	TROS	T6027	TROS
T28889	CASE	T40629	TROS	T50485	TROS	T6040	TROS
T290567	TROS	T40769	TROS	T50487	TROS	T6040	TROS
T290675	TROS	T40787	TROS	T50524	TROS	T6094	TROS
T29511	CASE	T409131	HYST	T50539	TROS	T6195	TROS
T295957	TROS	T409163	HYST	T50588	TROS	T62701	TROS
T30028	CASE	T409165	HYST	T50613	TROS	T63035	TROS
T30083	TROS	T409268	HYST	T50613S	TROS	T63201S	TROS
T30101	TROS	T41013	TROS	T50628	TROS	T6337S	TROS
T30183	TROS	T410567	TROS	T50634	TROS	T6340S	TROS
T30300	TROS	T4133	GERL	T50639	TROS	T63720	TROS
T30303S	TROS	T415156	TROS	T50911S	TROS	T63961	TROS
T30316	TROS	T415899	TROS	T50966	TROS	T63961	TROS
T30352	TROS	T415899	TROS	T50988	TROS	T64101S	TROS
T30487	CASE	T415983	TROS	T50991S	TROS	T64201S	TROS
T3065057	CHRY	T41675	JOHND	T51047S	TROS	T64202S	TROS
T30666	TROS	T42513	HYST	T51073S	TROS	T64402S	TROS
T3087079	RENAU	T429112	HYST	T51100	TROS	T64501R	TROS
T3087143	RENAU	T42914	HYST	T51100	TROS	T6508	TROS
T3087144	RENAU	T429216	HYST	T51100S	TROS	T6508S	TROS
T3087157	RENAU	T429247	HYST	T51143S	TROS	T65202	TROS
T308D	MC-NO	T429250	HYST	T5126	TROS	T65240	TROS
T331107	TROS	T429251	HYST	T5126	TROS	T65261	TROS
T331227	TROS	T429595	HYST	T52008X	DOMGA	T65261	TROS
T331228	TROS	T42994	HYST	T5203	COC	T65261	TROS
T331301	TROS	T42995	HYST	T5289	COC	T65262	TROS
T335924	TROS	T43331	HYST	T5289	WHITE	T65298	TROS
T33622	HYST	T441127	TROS	T5358	COC	T65298	TROS
T336819	HYST	T441130	TROS	T54255	CASE	T65300	GEHL

! Industrial Size/Type * Minor Width Difference

= The U.S. customer service number is 877-4-TIMKEN. The Canadian customer service numbers are 800-565-4927 (English) and 800-565-0438 (French-Canadian).

OIL SEALS

T65300 – TX136

Mfr. No.	Name	Zero Duplication or Recommended Industrial	Mfr. No.	Name	Zero Duplication or Recommended Industrial	Mfr. No.	Name	Zero Duplication or Recommended Industrial	Mfr. No.	Name	Zero Duplication or Recommended Industrial
T65300	OLIVE	6590S	TACA7828S	FORD	471570!	TEAN1175C	FORD	455858	TRS-005	FORSH	710414
T65340S	TROS	8695S	TAJAA1175A	FORD	370021A	TEAN1175D	FORD	455858	TS11375	ROL	TCS45285
T65360S	TROS	7687S	TAJAA1175B	FORD	370021A	TEAN1181B	FORD	5487	TS11430	ROL	TCS45472
T65501S	TROS	9449	TAJAA1175B	FORD	415351!	TEAN1181C	FORD	5487	TS11735	ROL	TCS45483
T6564S	TROS	415449!	TAKAA1175A	FORD	370004A	TEAN1181D	FORD	5487	TS11740	ROL	TCS45483
T6638	TROS	370001A	TAKAA1190A	FORD	416130!	TF1519	AU-WS	417171!	TS11750	ROL	TCS45635
T6646S	TROS	9613S	TAKAA4676A	FORD	416282	TF7198	LETN	470565!	TS11760	ROL	TCS45635
T6656	TROS	7300S	TB7106	FUNK	471192	TF98924	WABCO	332134	TS11765	ROL	TCS45473
T6656S	TROS	473234!	TBAA4676A	FORD	451078!	TFAA3591A	FORD	6597S	TS11775	ROL	TCS45108
T6693S	TROS	470605!	TBAA7048	FORD	410308!	TG15519015	FORSH	155X190X15	TS11875	ROL	TCS45603
T6696	TROS	417355!	TBAA7048A	FORD	410308!	TG17520015	FORSH	175X200X15	TS11900	ROL	TCS45689
T6711	TROS	205004	TBAF4676A	FORD	6808N	TG18020015	FORSH	180X200X15	TS11920	ROL	TCS45424
T6712S	TROS	473179	TC-M446	ALLCH	415437	TG19327	FORSH	19X32X8	TS11930	ROL	TCS45700
T6755	TROS	416892	TC-M446	ALLCH	415437!	TG20378	FORSH	20X37X8	TS11965	ROL	TCS45724
T6808	TROS	6808N	TC11236	ROL	16202	TG24428	FORSH	24X42X8	TS11985	ROL	TCS45506
T6840	TROS	6840S	TC11252	ROL	16210	TG33528.5	FORSH	33X52X8.5	TS12015	ROL	TCS45725
T6842	TROS	7600S	TC130069	MARMO	417507!	TG365610	FORSH	36X56X10	TS12025	ROL	TCS45727
T6855S	TROS	6855N=	TC130069	MARMO	417507	TG38211	LETN	415104N=	TS12230	ROL	TCS45847
T6864	TROS	370023A	TC238	FABCO	471267!	TG426810	FORSH	42X68X10	TS12250	ROL	TCS45483
T6869S	TROS	370005A	TC251	FABCO	471554!	TG446510	FORSH	44X65X10!	TS12305	ROL	TCS45860
T6874S	TROS	473234!	TC284	FABCO	473474	TG458510	FORSH	45X85X10	TS12385	ROL	TCS45901
T6879S	TROS	470898!	TC422	FABCO	413247!	TG507510	FORSH	50X75X10	TS12465	ROL	TCS45718
T6951S	TROS	7686S	TC5136A	GWI	417584	TG508513	FORSH	50X85X10	TS12470	ROL	TCS45719
T6954	TROS	6954S	TC523	FABCO	353132	TG557810	FORSH	55X78X10	TS12495	ROL	TCS45939
T6988S	TROS	473459	TC8513	LETN	417344	TG588510	FORSH	58X85X10	TS12505	ROL	TCS45699
T7006S	TROS	370006A	TCA1175	FORD	415960!	TG589010	FORSH	58X90X10	TS12545	ROL	TCS45870
T7018S	TROS	7018N=	TCAA1175A	FORD	415960!	TG609513	FORSH	60X95X13	TS240U5	NORDG	472193!
T7022S	TROS	473317	TCAA1175A1	FORD	415960!	TG7010513	FORSH	70X105X13	TS700011	FUNK	471835!
T7031S	TROS	473234!	TCAA4676A	FORD	410308	TG9364	COC	417316!	TUAA1174A	FORD	5951
T7041S	TROS	370012A	TCAK1190	FORD	6954S	TG9431	COC	417205!	TUAA1175A	FORD	415060
T7044	TROS	7044NA	TCAK1190A	FORD	6954S	TG9856	COC	416706!	TUAA1175A	FORD	455060
T7107	TROS	7107A=	TD105598	CHRY	471224	TGAA1190A	FORD	417134	TUAA1181A	FORD	5951
T7142S	TROS	200110	TD108629	CHRY	417316!	TL763	WABCO	415351=	TUAA1190	FORD	370001A
T7338S	TROS	7338N	TD1592	CHRY	340413	TL7633	LETN	415351=	TUAY1190A	FORD	370001A
T7376	TROS	370003A	TD256	LETN	471341!	TM1469	HEIL	471532	TUAY1190A	FORD	6638S
T7378	TROS	370006A	TD339	LETN	415066	TM1960	AVCO	415458!	TVAA4463A	FORD	470565!
T7383S	TROS	321460	TD4358	MINNM	240007=	TM1960	MINNM	415458!	TVAA4478A	FORD	410737!
T74239	JOHND	J1139 *=	TDAA1244-U879	ROCKW	AR23	TM527	HU-WR	415645!	TVAA4676A	FORD	410987!
T7442S	TROS	7442H	TDAA1175A	FORD	416297	TM527	HU-WR	455104	TVAA4676A	FORD	450686
T7452S	TROS	370019A	TDAA1175A1	FORD	416297	TM545	HU-WR	416888!	TVAA77918A2	FORD	415449!
T7453S	TROS	370021A	TDAA1175A3	FORD	416297	TM546	HU-WR	416125!	TVAA77918A3	FORD	415449!
T7456S	TROS	7456N	TDAA1175B	FORD	416297	TO-28	ATP	3459	TVAA77952A	FORD	471267!
T7457	TROS	7457N	TDAA1175C	FORD	416297	TO-35	ATP	320583	TVCE77918A	FORD	415449!
T7487	TROS	7994S	TDBA1190	FORD	44052	TO1190	MASSE	6336S	TW1029U	NORDG	411245!
T776210-3	HYST	415294!	TDM112	ALLCH	415027!	TO14	ATP	8935S	TX101	COTTA	471466!
T776408-1	HYST	417316=	TDM112	ALLCH	415027	TO15	ATP	471539	TX103	COTTA	471554!
T7769S	TROS	6241S	TDM137	ALLCH	415995!	TO2	ATP	472354!	TX105	COTTA	471137
T7824S	TROS	471193	TE1301	HARN	473245!	TO24	ATP	2506	TX106	COTTA	450040
T8121	TROS	8121S	TE13010	HARN	417497	TO3	ATP	7392S=	TX107	COTTA	471649!
T8181	TROS	472070	TE13011	HARN	417357	TO3670	MASSE	473423	TX108	COTTA	450593!
T8528	COC	471192	TE13011	HARN	455192!	TO4	ATP	331228H	TX109	COTTA	476838!
T867366337	GE	350364	TE13012	HARN	417513	TO4251	MASSE	417316!	TX110	COTTA	473205!
T9287	COC	476838!	TE13013	HARN	455197N	TO4251A	MASSE	410987=	TX111	COTTA	471750!
T9296	COC	470806	TE13014	HARN	415196!	TO703	MASSE	471829	TX114	COTTA	471795
T9364	COC	417158!	TE13015	HARN	415047	TO7052	MASSE	472258	TX115	COTTA	471762!
T9455	COC	473229	TE13016	HARN	472144!	TO749	MASSE	473214	TX117	COTTA	473215!
T9467	COC	471766!	TE1302	HARN	415007	TO750	MASSE	473236!	TX118	COTTA	470950!
T9498	COC	254270	TE1303	HARN	455151	TO8	ATP	331227H	TX118	COTTA	6241S
T9505	COC	472287!	TE1304	HARN	417316!	TO9	ATP	471827	TX122	COTTA	474281!
T95147	TROS	415449!	TE1305	HARN	417490	TP3185	OLIVE	204002	TX123	COTTA	471821!
T95177	TROS	415379	TE1306	HARN	417191	TR1010	HU-WR	416892!	TX124	COTTA	473367!
T9554	COC	471141!	TE1306	HARN	455165!	TR1015	HU-WR	415035!	TX125	COTTA	472185!
T95701	TROS	415995!	TE1307	HARN	417196!	TR1015	HU-WR	415035	TX126	COTTA	470334!
T95701	TROS	415995!	TE1308	HARN	415027	TR41M91723	CINMI	473228	TX127	COTTA	473447
T95705	TROS	415995!	TE1308	HARN	415027!	TR8495	LETN	416865!	TX128	COTTA	472924!
T95705	TROS	415995!	TE1309	HARN	415711	TRAA1175A	FORD	415857!	TX129	COTTA	450084!
T998	GERL	455019!	TE237	FABCO	473473	TRC7006	FUNK	473459	TX130	COTTA	472397!
TA154	MINNM	473449	TEAA4676A	FORD	410737!	TRC70062	FUNK	473459	TX131	COTTA	410102
TA74634	WABCO	455107N=	TEAN1144A	FORD	5487	TRC7116	FUNK	471192	TX132	COTTA	472015!
TAAK1190	FORD	44053	TEAN1174A	FORD	5487\$	TRC71164	FUNK	450375!	TX133	COTTA	413469!
TABAJ77918AB	FORD	417316!	TEAN1174B	FORD	5487\$	TRC71164	FUNK	6936S!	TX134	COTTA	411253!
TACA7828A	FORD	471570!	TEAN1175B	FORD	455858	TRC71164	FUNK	9845	TX136	COTTA	412119!

ALPHABETICAL INTERCHANGE

! Industrial Size/Type * Minor Width Difference \$F-M Number Is Part Of A Kit
 = The U.S. customer service number is 877-4-TIMKEN. The Canadian customer service numbers are 800-565-4927 (English) and 800-565-0438 (French-Canadian).

Zero Duplication or Recommended Industrial		Zero Duplication or Recommended Industrial		Zero Duplication or Recommended Industrial		Zero Duplication or Recommended Industrial					
Mfr. No.	Name	Mfr. No.	Name	Mfr. No.	Name	Mfr. No.	Name				
TX139	COTTA	415449!	TX326	COTTA	471984	TX444	COTTA	416167!	U17942	IH	471137
TX140	COTTA	415001!	TX327	COTTA	417487!	TX445	COTTA	416229	U17943	IH	471766!
TX141	COTTA	415458!	TX327	COTTA	417487	TX446	COTTA	415138!	U17944	IH	476838!
TX142	COTTA	415007	TX328	COTTA	417487	TX448	COTTA	415960!	U195	ALLCH	472409!
TX143	COTTA	417316!	TX334	COTTA	470898	TX449	COTTA	415449!	U196	ALLCH	473367
TX144	COTTA	415960!	TX337	COTTA	474265	TX450	COTTA	417269!	U196	ALLCH	473367!
TX145	COTTA	415960!	TX338	COTTA	416706!	TX451	COTTA	417967!	U2104	ALLCH	5M403
TX146	COTTA	415995!	TX339	COTTA	416865!	TX452	COTTA	472144!	U2602	ALLCH	473462
TX147	COTTA	417488!	TX340	COTTA	416865!	TX454	COTTA	417254	U2674	ALLCH	473215!
TX149	COTTA	417171!	TX341	COTTA	415082	TX456	COTTA	473237!	U303A	CALSO	472164!
TX150	COTTA	417171!	TX342	COTTA	411253!	TX457	COTTA	412027	U40370	JOHND	412920
TX151	COTTA	476470	TX343	COTTA	470605!	TX458	COTTA	415294!	U41491	JOHND	200875=
TX152	COTTA	415137!	TX345	COTTA	416865!	TX459	COTTA	472492!	U41989	JOHND	476470
TX152	COTTA	418028	TX348	COTTA	481864	TX460	COTTA	417357	U41989	JOHND	476470!
TX153	COTTA	415023	TX349	COTTA	473225	TX460	COTTA	455192!	U4213	SPICE	473423
TX154	COTTA	415025	TX351	COTTA	450275	TX462	COTTA	415035!	U43766	JOHND	200870
TX155	COTTA	415991	TX352	COTTA	471504	TX464	COTTA	470380!	U43767	JOHND	JV980=
TX155	COTTA	455146!	TX355	COTTA	476470	TX467	COTTA	415041	U44336	JOHND	416149
TX155	HARN	415991	TX355	COTTA	476470	TX468	COTTA	415371	U481521	LAZOR	35094
TX155	HARN	455146!	TX357	COTTA	416888!	TX469	COTTA	415138!	U481726	LAZOR	25598
TX156	COTTA	415991	TX359	COTTA	471272!	TX472	COTTA	470565!	U49-8092	LAZOR	1172
TX156	COTTA	415991!	TX363	KEN	415991	TX473	COTTA	415303=	U49-8106	LAZOR	229210
TX157	COTTA	415027	TX363	KEN	415991!	TX476	COTTA	473474	U49-8254	LAZOR	1108
TX157	COTTA	415027!	TX363	PACIF	415991	TX479	COTTA	416345!	U49-8262	LAZOR	716102
TX159	COTTA	417205!	TX363	PACIF	415991!	TX479	COTTA	455033	U49-8319	LAZOR	710205
TX160	COTTA	415034!	TX366	COTTA	415449!	TX481	COTTA	471341!	U49-8327	LAZOR	227040
TX161	COTTA	415036	TX367	COTTA	417316!	TX482	COTTA	473466	U49-8327	LAZOR	BS25035
TX162	COTTA	415047	TX368	COTTA	416654!	TX483	COTTA	416921!	U49-8335	LAZOR	227530
TX163	COTTA	415991	TX369	COTTA	415725!	TX485	COTTA	470954!	U49-8343	LAZOR	229005
TX163	COTTA	415991!	TX371	COTTA	415379	TX489	COTTA	415060	U49-8351	LAZOR	223540
TX164	COTTA	417538	TX371	COTTA	415379!	TX494	COTTA	417351!	U49-8360	LAZOR	224865
TX165	COTTA	417269!	TX373	COTTA	473179!	TX498	COTTA	415725!	U49-8378	LAZOR	224250
TX166	COTTA	415072	TX374	COTTA	416288!	TX500	COTTA	417247!	U49-8408	LAZOR	223010
TX168	COTTA	416654!	TX376	COTTA	415995!	TX501	COTTA	416287	U49-8416	LAZOR	3771
TX172	COTTA	473225!	TX377	COTTA	416288!	TX501	COTTA	416288!	U49-8424	LAZOR	223035
TX274	COTTA	416271!	TX378	COTTA	417487!	TX502	COTTA	415035!	U49-8432	LAZOR	224025
TX275	COTTA	415449!	TX378	COTTA	417487	TX503	COTTA	416339	U49-8440	LAZOR	1873
TX277	COTTA	473258!	TX379	COTTA	476470	TX503	COTTA	455031!	U49-8556	LAZOR	3476
TX278	COTTA	416892!	TX380	COTTA	471267!	TX504	COTTA	417316!	U49-8556	LAZOR	710310
TX281	COTTA	472179	TX381	COTTA	411376!	TX507	COTTA	417191	U49-9021	LAZOR	224250
TX283	COTTA	476470	TX382	COTTA	412473!	TX510	COTTA	417172	U49-9056	LAZOR	224520
TX284	COTTA	417355!	TX383	COTTA	417171!	TX511	COTTA	415991	U49-9064	LAZOR	226480
TX285	COTTA	416891!	TX388	COTTA	417316!	TX511	COTTA	455146!	U498521	LAZOR	BS40382
TX286	COTTA	455024	TX389	COTTA	471271!	TX514	COTTA	415995!	U498530	LAZOR	BS25035
TX287	COTTA	415991	TX390	COTTA	472397!	TX526	COTTA	472164!	U503	CALSO	472164!
TX287	COTTA	455146!	TX392	COTTA	415072	TX52759	JOHND	470530!	U8-G20	OSHKO	415023
TX288	COTTA	455197N	TX395	COTTA	472705!	TX529	COTTA	471413!	U81-8321	LAZOR	224462
TX289	COTTA	416288!	TX398	COTTA	412119!	TX52906	JOHND	417343!	U81-8496	LAZOR	239146
TX291	COTTA	472636!	TX399	COTTA	471271!	TX550	COTTA	472016	U81-8500	LAZOR	1176
TX292	COTTA	415035	TX401	COTTA	415088	TX558	COTTA	416444	U81-8518	LAZOR	223014
TX292	COTTA	415035!	TX401	COTTA	415088!	TX559	COTTA	415379	U81-8526	LAZOR	224252
TX293	COTTA	415007	TX403	COTTA	472164!	TX559	COTTA	415379!	U81-8534	LAZOR	224462
TX294	COTTA	415995!	TX404	COTTA	470605!	TX561	COTTA	416271!	U81-8550	LAZOR	473238!
TX295	COTTA	471272!	TX406	COTTA	416888!	TX562	COTTA	472185!	U81-8550	LAZOR	9912
TX298	COTTA	470380!	TX407	COTTA	456199=	TX567	COTTA	470898	U81-8569	LAZOR	224820
TX299	COTTA	416332!	TX408	COTTA	455123	TX570	COTTA	471192	U81-8577	LAZOR	1208
TX300	COTTA	471820	TX409	COTTA	415088	TX571	COTTA	412920!	U81-8585	LAZOR	225010
TX301	COTTA	415001!	TX410	COTTA	416125!	TX572	COTTA	471138!	U81-8593	LAZOR	1960
TX302	COTTA	476838!	TX411	COTTA	240735	TX603	COTTA	472164!	U81-8615	LAZOR	226020
TX303	COTTA	471141!	TX412	COTTA	455655!	TX657	COTTA	470898	U81-8631	LAZOR	1174
TX304	COTTA	471276	TX413	COTTA	415035	TX660	COTTA	415483	U81-8640	LAZOR	1217
TX305	COTTA	473214!	TX414	PACIF	471192	TX684	COTTA	472016!	U81-8658	LAZOR	482126
TX307	COTTA	415021	TX416	COTTA	417082	TX685	COTTA	472164!	U81-8666	LAZOR	1962
TX308	COTTA	416271!	TX419	COTTA	412920!	TX7563	MASSE	472397!	U81-8666	LAZOR	224015
TX309	COTTA	450400	TX420	COTTA	417316!	TXA28610	MASSE	340724!	U81-8674	LAZOR	224835
TX310	COTTA	471271!	TX421	COTTA	416404!	U11243	IH	471137	U81-8682	LAZOR	224835
TX314	COTTA	417349	TX426	COTTA	472157!	U1227	ALLCH	415007	U81-8690	LAZOR	344032
TX315	COTTA	416664!	TX426	COTTA	472157	U12688	JOHND	416345!	U81-8720	LAZOR	226520
TX316	COTTA	415984!	TX428	COTTA	471341!	U12688	JOHND	455033	U81-8739	LAZOR	225420
TX318	COTTA	415302	TX429	COTTA	415150!	U14264	JOHND	472164!	U81-8747	LAZOR	473234!
TX321	COTTA	415991!	TX430	COTTA	450084!	U14488	JOHND	412920!	U81-8755	LAZOR	224820
TX321	COTTA	415991	TX441	COTTA	417351!	U16633	IH	471766!	U81-8771	LAZOR	239129

! Industrial Size/Type

= The U.S. customer service number is 877-4-TIMKEN. The Canadian customer service numbers are 800-565-4927 (English) and 800-565-0438 (French-Canadian).

OIL SEALS

U81-8828 – UH0397G0

Mfr. No.	Name	Zero Duplication or Recommended Industrial	Mfr. No.	Name	Zero Duplication or Recommended Industrial	Mfr. No.	Name	Zero Duplication or Recommended Industrial	Mfr. No.	Name	Zero Duplication or Recommended Industrial
U81-8828	LAZOR	472213	UB0368E	NOK	471504!	UE0205E	NOK	472324!	UF0502E	NOK	343105!
U81-9034	LAZOR	1960	UB0368E0	NOK	471504*	UE0205E0	NOK	472324!	UF0502E	NOK	7399S
U81-9050	LAZOR	224045	UB0368E0	NOK	471504!	UE0282E	NOK	470774=	UF0502E0	NOK	343105!
U81-9069	LAZOR	224835	UB0372E	NOK	472354!	UE0319E	NOK	481397	UF0502E0	NOK	7399S
U81-9085	LAZOR	225500	UB0372E0	NOK	472354!	UE0319E0	NOK	481397	UF0505E	NOK	2222
U81-9093	LAZOR	225010	UB0441E	NOK	710202	UE0323E0	NOK	482310	UF0505E0	NOK	2222
U81-9107	LAZOR	710309	UB0452E	NOK	473179	UE0463E0	NOK	85X125X12	UF0506E	NOK	44052
U81-9123	LAZOR	471224!	UB0452E0	NOK	473179	UE0485E0	NOK	15X30X7	UF0506E0	NOK	44052
U81-9131	LAZOR	6370N	UB0498E	NOK	253099	UE0665E0	NOK	26X38X5!	UF0820E	NOK	1932
U81-9140	LAZOR	223510	UB0498E0	NOK	253099	UE0667E0	NOK	17X47X8	UF0820E0	NOK	56X68X10
U81-9158	LAZOR	1120	UB0499E	NOK	471539!	UE0668E0	NOK	12X25X7	UG0081E0	NOK	8976S
U81-9166	LAZOR	471192	UB0499E0	NOK	471539!	UE0670E0	NOK	15X35X7	UG0203E0	NOK	471652
U81-9174	LAZOR	1213N	UB0501E	NOK	7013S	UE0671E0	NOK	15X24X7	UG0424F0	NOK	16X24X6
U81-9182	LAZOR	224520	UB0501E0	NOK	7013S	UE0673E0	NOK	20X30X7	UH-0516-E	NOK	710426
U81-9190	LAZOR	472164!	UB0555E	NOK	710241	UEU0334E0	NOK	35X52X8!	UH-0598-E0	NOK	710388
U81-9204	LAZOR	223535	UB0555E0	NOK	710241	UF-0532-E0	NOK	472311	UH-0946-E	NOK	710431
U81-9808	LAZOR	65X80X8	UB1 JOHND		471646!	UF0014E0	NOK	440972	UH-0946-E0	NOK	710431
U818542	LAZOR	1012	UB124 WHITE		415035	UF0015E0	NOK	482126	UH0004E	NOK	9599S
U818542	LAZOR	1012N	UB124 WHITE		415035!	UF0018E	NOK	340136	UH0004E0	NOK	9599S
U818542	LAZOR	710321	UB40-26-157 CHRYS		1994	UF0018E0	NOK	340136	UH0022F0	NOK	710263
U818810	LAZOR	224020	UC0159E	NOK	7412S	UF0018F	NOK	40468	UH0022H0	NOK	710263
U818810	LAZOR	3392	UC0159G	NOK	7412S	UF0018F0	NOK	40468	UH0043E	NOK	3348
U819026	LAZOR	224235	UC0380E0	NOK	35X62X7!	UF0023E0	NOK	204038	UH0043E0	NOK	3348
U819115	LAZOR	1012	UC0384E0	NOK	25X47X7	UF0030E0	NOK	204008	UH0047E	NOK	8835S
U819115	LAZOR	1012N	UC0442E	NOK	45X72X7!	UF0032E0	NOK	40141*	UH0047E0	NOK	8835S
U997 ALLCH		411253!	UC0442E0	NOK	45X72X12!	UF0038E	NOK	6815	UH0097F0	NOK	35X50X8!
UA0029E0	NOK	415960	UC0442E0	NOK	45X72X95	UF0038E0	NOK	6815	UH0097F0	NOK	3774
UA0062E0	NOK	477163N	UC0465E0	NOK	12X28X7	UF0058E0	NOK	204002	UH0102E	NOK	9773
UA0068E0	NOK	415088	UC0599E0	NOK	25X35X7!	UF0067E	NOK	40316S	UH0102E0	NOK	9773
UA0071E0	NOK	456618	UCB521 CLSTL		473237!	UF0067E0	NOK	40316S	UH0111E	NOK	3772
UA0072E0	NOK	415060	UD0024ED	NOK	472446	UF0075E0	NOK	6954S	UH0111E0	NOK	3772
UA0072E0	NOK	455060	UD0035E0	NOK	471413	UF0098F	NOK	240733	UH0111G0	NOK	3772
UA0073E0	NOK	417530	UD0053E0	NOK	470706=	UF0098F0	NOK	240733	UH0164E	NOK	3909
UA0074E0	NOK	417507	UD0061E0	NOK	415303=	UF0114E	NOK	7607	UH0164E0	NOK	3909
UA0078E0	NOK	415958	UD0066E0	NOK	415035	UF0114E0	NOK	7607	UH0164G0	NOK	3909
UA0080E0	NOK	415983	UD0075E	NOK	472012	UF0115E0	NOK	471316	UH0164J0	NOK	3909
UA0080E0	NOK	415983N!	UD0075E0	NOK	472012	UF0116E0	NOK	203071=	UH0190E	NOK	9613S
UA0083E0	NOK	470764!	UD0076E	NOK	39807	UF0138E0	NOK	470954	UH0190E0	NOK	9613S
UA0083E0	NOK	50764	UD0076E0	NOK	39807	UF0144E	NOK	471795	UH0193F	NOK	710075
UA0085E0	NOK	455019!	UD0166E	NOK	4122	UF0144E0	NOK	471795	UH0193F0	NOK	710075
UA0089E0	NOK	413469!	UD0166E	NOK	470547	UF0195E	NOK	4148	UH0193F0	NOK	710075
UA0091E	NOK	417548	UD0166E0	NOK	4122	UF0195E0	NOK	4148	UH0208E0	NOK	4810V
UA0091E	NOK	417548	UD0166E0	NOK	470547	UF0200E	NOK	5121	UH0214E	NOK	4250
UA0123E0	NOK	412943	UD0168E	NOK	474127	UF0200E0	NOK	5121	UH0214E0	NOK	4250
UA0160E	NOK	6638S	UD0172E0	NOK	62X85X8!	UF0213E	NOK	4148	UH0226E0	NOK	38X55X7!
UA0160E0	NOK	6638S	UD0173E	NOK	8695S	UF0213E	NOK	471424!	UH0238F	NOK	713750
UA0220E	NOK	311189	UD0173E0	NOK	8695S	UF0213E0	NOK	4148	UH0238F0	NOK	713750
UA0220E0	NOK	311189	UD0241E	NOK	331107N	UF0213E0	NOK	471424!	UH0241E	NOK	472341!
UA0504E	NOK	416500	UD0241E0	NOK	331107N	UF0215E	NOK	442380	UH0241E0	NOK	472341!
UA0504E0	NOK	416500	UD0451E	NOK	9449	UF0215E0	NOK	442380	UH0246E	NOK	2146
UA0509E	NOK	2674	UD0451E0	NOK	9449	UF0216E	NOK	6954S	UH0278F0	NOK	9845
UA0509E0	NOK	2674	UD0453E	NOK	7044NA	UF0216E0	NOK	6954S	UH0287F0	NOK	3698
UA0512E	NOK	417484!	UD0453E0	NOK	7044NA	UF0217E	NOK	473317	UH0327E	NOK	477163N
UA0512E0	NOK	417484!	UD0507E	NOK	3893V!	UF0217E0	NOK	473317	UH0335E	NOK	473452
UA5087 TW-DI		415104H=	UD0507E	NOK	415379!	UF0219E	NOK	3087	UH0335E0	NOK	473452
UB0017E0	NOK	471231!	UD0507E0	NOK	3893V!	UF0219E0	NOK	3087	UH0335F0	NOK	714675
UB0040E0	NOK	450040	UD0507E0	NOK	415379!	UF0225E	NOK	8871	UH0336F	NOK	95X115X13
UB0065E0	NOK	100495	UD0508E	NOK	3385	UF0225E0	NOK	8871	UH0336F0	NOK	95X115X12
UB0065E0	NOK	417349	UD0508E0	NOK	3385	UF0230E	NOK	8121S	UH0336G	NOK	4359V
UB0084E0	NOK	474254*	UD0520E	NOK	95X115X13	UF0230E0	NOK	8121S	UH0336G0	NOK	4359V
UB0084E0	NOK	474254!	UD0520E0	NOK	95X115X12	UF0260E	NOK	8705S	UH0337E0	NOK	3638*
UB0086E	NOK	6703S	UD0624E0	NOK	50X70X8!	UF0260E0	NOK	8705S	UH0341E0	NOK	3173
UB0086E0	NOK	6703S	UD0624E0	NOK	50X70X9	UF0491E	NOK	9406S	UH0341E0	NOK	710928
UB0105E0	NOK	473449!*	UD0751E0	NOK	15X35X7	UF0491E0	NOK	9406S	UH0351E	NOK	3655
UB0109E0	NOK	7994S	UE-0321-E0	NOK	473259	UF0495E	NOK	8871	UH0351E0	NOK	3655
UB0142E	NOK	3945	UE0009E0	NOK	473551	UF0495E0	NOK	8871	UH0389E0	NOK	4810V!
UB0142E0	NOK	3945	UE0077E0	NOK	25X52X10	UF0496E	NOK	330385	UH0390E	NOK	712000
UB0176E	NOK	2377	UE0077E0	NOK	25X52X7!	UF0496E0	NOK	330385	UH0390F	NOK	712000
UB0176E0	NOK	2377	UE0112E	NOK	471744!	UF0497E	NOK	340787	UH0394F0	NOK	710101
UB0218E	NOK	331301N	UE0112E0	NOK	471744!	UF0497E0	NOK	340787	UH0394G0	NOK	710101
UB0218E0	NOK	331301N	UE0152E	NOK	473258!	UF0500E	NOK	40520S	UH0395F0	NOK	710105
UB0368E	NOK	471504*	UE0152E0	NOK	473258!	UF0500E0	NOK	40520S	UH0397G0	NOK	473454

! Industrial Size/Type * Minor Width Difference

= The U.S. customer service number is 877-4-TIMKEN. The Canadian customer service numbers are 800-565-4927 (English) and 800-565-0438 (French-Canadian).

ALPHABETICAL INTERCHANGE

Zero Duplication or Recommended Industrial		Zero Duplication or Recommended Industrial		Zero Duplication or Recommended Industrial		Zero Duplication or Recommended Industrial	
Mfr. No.	Name	Mfr. No.	Name	Mfr. No.	Name	Mfr. No.	Name
UH0403F0	NOK	320259	UZ0206E	NOK	4561V	V3321	WAGNR
UH0404E0	NOK	35X50X8!	UZ0206E0	NOK	4561V	V3322	WAGNR
UH0424E0	NOK	714503	UZ0207E0	NOK	4562V	V3324	WAGNR
UH0424F	NOK	714503	UZ0207F0	NOK	4562V	V3471	WAGNR
UH0424F0	NOK	714503	UZ0212E	NOK	416404!	V410537SS	SPG
UH0490E	NOK	3214	UZ0212E0	NOK	9864S	V414072SC	SPG
UH0490E0	NOK	3214	UZ0249E	NOK	5313	V414072SC	SPG
UH0492E	NOK	331228H	UZ0249E0	NOK	5313	V4249CA1	SPG
UH0492E0	NOK	331228H	UZ0258E1	NOK	5210	V4258S	SPG
UH0493E	NOK	472070	UZ0261E0	NOK	4564V	V4259SS	SPG
UH0493E0	NOK	472070	UZ0263E0	NOK	415082	V4348X	WHITE
UH0494E	NOK	3604	UZ0264E0	NOK	415995	V454073SS	SPG
UH0494E0	NOK	3604	UZ0265E0	NOK	100494	V454073SS	SPG
UH0543E	NOK	4370N	UZ0265E0	NOK	476470	V457997SS	SPG
UH0549E0	NOK	42X62X8!	UZ0266E0	NOK	417484	V458009VG	SPG
UH0550E0	NOK	1966	UZ0266E0	NOK	4874N	V4665	IRON
UH0630E0	NOK	40375	UZ0290F0	NOK	4544V	V4665	IRON
UH0728F0	NOK	9845	UZ0301E	NOK	370036A	V474096SC	SPG
UH0757E0	NOK	4307V!	UZ0301E	NOK	370349A	V474096SC	SPG
UH0766E	NOK	115X135X15!	UZ0301E0	NOK	370036A	V474097SC	SPG
UH0766E0	NOK	710258	UZ0301E0	NOK	370349A	V474097SC	SPG
UH0773F	NOK	110X130X12	UZ0302E	NOK	370065A	V481100VD	NATL
UH0773F0	NOK	2261	UZ0302E0	NOK	370065A	V4812A23	WAGNR
UH0789E0	NOK	710211	UZ0303E	NOK	386025A	V4815A15	WAGNR
UH0816E	NOK	228410	UZ0303E	NOK	416158	V484063SS	SPG
UH0816E0	NOK	228410	UZ0303E0	NOK	386025A	V495782BG	SPG
UH0819E1	NOK	2377	UZ0303E0	NOK	416158	V4990BG	SPG
UH0841E0	NOK	710261	UZ0305E	NOK	370001A	V5459	IRON
UH0910E	NOK	4333N	UZ0305E0	NOK	370001A	V6043	MINNM
UH0951E	NOK	710046	UZ0306E	NOK	370023A	V657S	CASE
UH0951E0	NOK	710046	UZ0306E	NOK	5667	V8020698	WHITE
UH5005E	NOK	710451	UZ0307E	NOK	370021A	V93HF-6701-AA	FORD
UH528E0	NOK	50199S!	UZ0307E0	NOK	370021A	VA18291	WABCO
UH528E0	NOK	6863S!	UZ0308E	NOK	370005A	VC2044	WABCO
UH0351E0	NOK	35X52X8!	UZ0308E0	NOK	370005A	VC93086	WABCO
UJ107	C-R	MD1000	UZ0466E	NOK	4503N	VC9667	LETN
UJ51	UNIVE	473227	UZ0466E0	NOK	472572	VC985	LETN
UJ75	UNIVE	471692!	UZ0466F	NOK	4503N	VD12473	WABCO
UP0079E0	NOK	472705!	UZ0510E	NOK	6612S	VH425	IRON
UP0119E	NOK	471224!	UZ0510E0	NOK	6612S	VH430	IRON
UP0119E0	NOK	471224!	V1004	HUGKE	473240!	VH5111	WABCO
UP0811E	NOK	222630	V1034	HUGKE	415088	VH599	IRON
US95133	C-P	240385	V1034	HUGKE	415088!	VH599	IRON
USN14	ATHEY	474253!	V1055	HUGKE	40337S	VJ964	NORDG
UT309	MINNM	473236!	V1064	HUGKE	413246	VL1245	LETN
UT309	WHITE	473236!	V127016	RACIN	481537	VL22673	WABCO
UT374	MINNM	417621!	V12701C	RACIN	471466!	VL2570	LETN
UT374	WHITE	417171!	V12701E	RACIN	450188	VL25702	WABCO
UT459	MINNM	415027	V12701F	RACIN	471442!	VL2588	LETN
UT459	MINNM	415027!	V12701S	RACIN	471224!	VL2621	LETN
UT459A	MINNM	415437	V12701U	RACIN	471341!	VL2986	LETN
UT459A	WHITE	415437	V12701V	RACIN	473231!	VL6062	WABCO
UW-0454-E	NOK	710402	V12701X	RACIN	450188	VL8656	WABCO
UW-0454-E0	NOK	710402	V12701Z	RACIN	472164!	VM1154	OLIVE
UW-0561-E0	NOK	710389	V13924	CASE	413310=	VM1585	OLIVE
UW-0895-E	NOK	710403	V14651	CASE	473224!	VM1585	OLIVE
UW0103E	NOK	712937	V14653	CASE	471224	VM440	OLIVE
UW0103E0	NOK	712937	V14654	CASE	455134!	VM671	OLIVE
UW0134E	NOK	473237	V14655	CASE	470605!	VN3657	LETN
UW0134E0	NOK	473237	V14656	CASE	330385!	VP2099	LETN
UW0134F	NOK	473237	V14657	CASE	472560N!	VP2099	WABCO
UW0179F	NOK	4141	V14661	CASE	323138!	VP223	F-R-H
UW0179F0	NOK	4141	V224	CASE	472070	VP224	F-R-H
UW0180E	NOK	710063	V2520	IRON	473444	VP224	F-R-H
UW0180E0	NOK	710063	V3187	WAGNR	416654!	VP5012	WABCO
UW0180F	NOK	4143	V3188	WAGNR	415995!	VS3920	WABCO
UW0180G0	NOK	4143	V3202	WAGNR	415027	VT1020	MINNM
UW0194E	NOK	472572	V3202	WAGNR	415027!	VT204	MINNM
UW0194E0	NOK	472572	V3270	WAGNR	416271!	VT2090	CASE
UW0910E	NOK	4333N	V3312	WAGNR	418028	VT2095	CASE
UW0914E	NOK	472572	V3312	WAGNR	455137!	VT2115	CASE
UZ-0516-F	NOK	710441	V3321	WAGNR	415991	VT2233	CASE

! Industrial Size/Type
 = The U.S. customer service number is 877-4-TIMKEN. The Canadian customer service numbers are 800-565-4927 (English) and 800-565-0438 (French-Canadian).

Mfr. No.	Name	Zero Duplication or Recommended Industrial	Mfr. No.	Name	Zero Duplication or Recommended Industrial	Mfr. No.	Name	Zero Duplication or Recommended Industrial	Mfr. No.	Name	Zero Duplication or Recommended Industrial
W10655	W-PTS	1994	W72-129	W-PTS	1906	W72-286	W-PTS	482126	W72226	W-PTS	225020
W10655	W-PTS	48X70X9!	W72-145	W-PTS	1985	W72-287	W-PTS	224015	W72226	W-PTS	50X68X8!
W10661	W-PTS	224520	W72-147	W-PTS	473241	W72-291	W-PTS	5696	W72228	W-PTS	224520
W10661	W-PTS	45X60X10!	W72-148	W-PTS	473234!	W72-293	W-PTS	1937	W72228	W-PTS	45X60X10!
W10662	W-PTS	225020	W72-149	W-PTS	471192	W72-294	W-PTS	224772	W72229	W-PTS	224835
W10662	W-PTS	50X68X8!	W72-150	W-PTS	472164!	W72-296	W-PTS	226020	W72229	W-PTS	48X68X10!
W10663	W-PTS	223830	W72-152	W-PTS	1110	W72-297	W-PTS	239129	W72231	W-PTS	1181
W10663	W-PTS	38X55X7!	W72-155	W-PTS	471224!	W72091	W-PTS	1216	W72231	W-PTS	41X56X7!
W10668	W-PTS	1994	W72-156	W-PTS	471224!	W72091	W-PTS	1216N	W72232	W-PTS	223542
W10668	W-PTS	48X70X9!	W72-164	W-PTS	482126	W72103	W-PTS	1012	W72232	W-PTS	35X55X11!
W10709	W-PTS	2001	W72-165	W-PTS	473238!	W72103	W-PTS	1012N	W72234	W-PTS	1174
W10709	W-PTS	60X82X12!	W72-177	W-PTS	224015	W72104	W-PTS	1012	W72234	W-PTS	38X52X8.5!
W1103	HU-WR	470530!	W72-179	W-PTS	1960	W72104	W-PTS	1012N	W72239	W-PTS	225420
W1169	HU-WR	472016	W72-181	W-PTS	41X55X7!	W72106	W-PTS	224045	W72239	W-PTS	54X72X10!
W117701	HERCU	471570!	W72-182	W-PTS	1959	W72106	W-PTS	40X62X12!	W72240	W-PTS	225230
W118001	HERCU	472164!	W72-183	W-PTS	1960	W72112	W-PTS	1174	W72240	W-PTS	52X72X8!
W1260	WOOL	415088	W72-185	W-PTS	1956	W72112	W-PTS	38X52X8.5!	W72241	W-PTS	1012
W1260	WOOL	415088!	W72-188	W-PTS	1188	W72116	W-PTS	1969	W72241	W-PTS	1012N
W126011035	WOOL	415088!	W72-190	W-PTS	1183	W72116	W-PTS	48X63X9!	W72241	WMG	1012
W126011035	WOOL	415088	W72-192	W-PTS	1977	W72117	W-PTS	1208	W72241	WMG	1012N
W136301	HERCU	J1103	W72-200	W-PTS	1950	W72117	W-PTS	48X72X7!	W72253	W-PTS	225005
W137701	HERCU	J1107	W72-201	W-PTS	1962	W72123	W-PTS	2000	W72253	W-PTS	50X62X7!
W139701	HERCU	J1123	W72-206	W-PTS	1974	W72123	W-PTS	224235	W72255	W-PTS	226285
W140001	HERCU	416294=	W72-208	W-PTS	1952	W72123	W-PTS	42X58X7!	W72255	W-PTS	62X85X8!
W15475	CASE	410825	W72-210	W-PTS	1192	W72131	W-PTS	1012	W72260	W-PTS	225110
W1581	WOOL	473227	W72-211	W-PTS	1196	W72131	W-PTS	1012N	W72260	W-PTS	51X65X7!
W158111035	C-W	473227	W72-213	W-PTS	473823	W72132	W-PTS	224045	W72265	W-PTS	225110
W158111035	WOOL	473227	W72-217	W-PTS	473812	W72132	W-PTS	40X62X12!	W72265	W-PTS	51X65X7!
W176511035	WOOL	415047	W72-218	W-PTS	1999	W72136	W-PTS	1174	W72266	W-PTS	223605
W182401	HERCU	471781N=	W72-219	W-PTS	473179!	W72136	W-PTS	38X52X8.5!	W72266	W-PTS	36X50X7!
W208K2E9003	FAFNI	200110	W72-220	W-PTS	1949	W72137	W-PTS	1187	W72267	W-PTS	224820
W23838	JOHND	472535	W72-221	W-PTS	1984	W72137	W-PTS	47X68X10!	W72267	W-PTS	48X62X8!
W320678BX	SPG	225650	W72-222	W-PTS	1992	W72140	W-PTS	1180	W72268	W-PTS	55X82X12!
W370025BX	SPG	416158	W72-224	W-PTS	1996	W72140	W-PTS	41X55X7!	W72270	W-PTS	225010
W45-111	W-PTS	222242	W72-227	W-PTS	1959	W72141	W-PTS	224045	W72270	W-PTS	50X65X8!
W45-117	W-PTS	3051N	W72-228	WMG	224520	W72141	W-PTS	40X62X12!	W72275	W-PTS	1012
W45-143	W-PTS	222242	W72-230	W-PTS	48X68X10!	W72144	W-PTS	1213N	W72275	W-PTS	1012N
W45116	W-PTS	223010	W72-235	W-PTS	473238!	W72146	W-PTS	224820	W72279	W-PTS	1012
W45116	W-PTS	30X42X7!	W72-236	W-PTS	482126	W72146	W-PTS	48X62X8!	W72279	W-PTS	1012N
W4558VDR	SPG	4795V	W72-237	W-PTS	482126	W72161	W-PTS	224045	W72279	W-PTS	45X62X8!
W4A5538	ONAN	470334!	W72-238	W-PTS	473238!	W72161	W-PTS	40X62X12!	W72282	W-PTS	224255
W518	C-W	415379!	W72-242	W-PTS	2002	W72166	W-PTS	471192	W72282	W-PTS	42X65X10!
W518	C-W	415379	W72-243	W-PTS	1992	W72173	W-PTS	1181	W72288	W-PTS	224820
W518	WOOL	415379	W72-244	W-PTS	1952	W72173	W-PTS	41X56X7!	W72288	W-PTS	48X62X8!
W518	WOOL	415379!	W72-244	WMG	1952	W72178	W-PTS	224820	W72290	W-PTS	225110
W51811035	WOOL	415379	W72-245	W-PTS	334111	W72178	W-PTS	48X62X8!	W72290	W-PTS	51X65X7!
W51811035	WOOL	415379!	W72-247	W-PTS	473367	W72184	W-PTS	1955	W72290	W-PTS	5695
W531	WOOL	415234!	W72-248	W-PTS	494117	W72184	W-PTS	52X65X9!	W72292	W-PTS	223840
W53111035	WOOL	415234!	W72-249	W-PTS	473367!	W72186	W-PTS	223542	W72292	W-PTS	38X58X8!
W563	EATON	HU009A	W72-249	WMG	473367	W72186	W-PTS	35X55X11!	W72298	W-PTS	225010
W72-075	W-PTS	224210	W72-250	W-PTS	494122	W72187	W-PTS	224045	W72298	W-PTS	50X65X8!
W72-076	W-PTS	226285	W72-251	W-PTS	1939	W72187	W-PTS	40X62X12!	W72299	W-PTS	710097
W72-077	W-PTS	52X72X8!	W72-254	W-PTS	224015	W72189	W-PTS	1174	W794	NORDG	473444
W72-078	W-PTS	1948	W72-256	W-PTS	1943	W72189	W-PTS	38X52X8.5!	W853	WOOL	412920!
W72-081	W-PTS	1939	W72-257	W-PTS	1128	W72199	W-PTS	1180	W85311035	WOOL	412920!
W72-082	W-PTS	1174	W72-258	W-PTS	2003N!	W72199	W-PTS	41X55X7!	W86611035	WOOL	470334!
W72-084	W-PTS	225650	W72-259	W-PTS	3677	W72202	W-PTS	1973	W873	HU-WR	472185!
W72-089	W-PTS	225650	W72-261	W-PTS	413818	W72202	W-PTS	48X65X10!	W874	HU-WR	412119!
W72-092	W-PTS	473677	W72-262	W-PTS	1906	W72203	W-PTS	224820	W950	NORDG	411245!
W72-094	W-PTS	4099	W72-263	W-PTS	1986	W72203	W-PTS	48X62X8!	W963	NORDG	40085S
W72-095	W-PTS	239201	W72-264	W-PTS	444116	W72204	W-PTS	224270	W966	WOOL	470334!
W72-096	W-PTS	224220	W72-269	W-PTS	474134	W72204	W-PTS	42X72X10!	WA25030	WABCO	472572!
W72-098	W-PTS	224210	W72-270	WMG	1209	W72207	W-PTS	1953	WA3387	WABCO	416339
W72-107	W-PTS	1217	W72-272	W-PTS	35X47X7	W72207	W-PTS	42X60X7!	WA5900	WABCO	417433
W72-109	W-PTS	1967	W72-273	W-PTS	1884	W72212	W-PTS	1955	WA5908	WABCO	416345!
W72-110	W-PTS	1209	W72-274	W-PTS	48X62X8!	W72212	W-PTS	52X65X9!	WA5908	WABCO	455033
W72-113	W-PTS	1195	W72-278	W-PTS	3395!	W72214	W-PTS	1213N	WA5954	WABCO	5751
W72-114	W-PTS	1165	W72-280	W-PTS	480630!	W72216	W-PTS	1994	WA5955	WABCO	450084!
W72-121	W-PTS	223535	W72-281	W-PTS	223535	W72216	W-PTS	48X70X9!	WA5969	WABCO	472164!
W72-122	W-PTS	223535	W72-283	W-PTS	1906	W72223	W-PTS	1012	WA5989	WABCO	450375!
W72-124	W-PTS	472213	W72-284	W-PTS	225650	W72223	W-PTS	1012N	WA5989	WABCO	6936S!
W72-126	W-PTS	223014	W72-285	W-PTS	225540	W72223	W-PTS	45X62X8!	WA5989	WABCO	9845

! Industrial Size/Type

= The U.S. customer service number is 877-4-TIMKEN. The Canadian customer service numbers are 800-565-4927 (English) and 800-565-0438 (French-Canadian).

ALPHABETICAL INTERCHANGE

Mfr. No.	Name	Zero Duplication or Recommended Industrial	Mfr. No.	Name	Zero Duplication or Recommended Industrial	Mfr. No.	Name	Zero Duplication or Recommended Industrial	Mfr. No.	Name	Zero Duplication or Recommended Industrial
WA7052	FORD	410059	WR9255	GWI	417355!	X143621	FORD	474255	X2716	KOHL	471567!
WA7052	FORD	470380!	WR9839	GWI	415196!	X143626	FORD	472012	X2719	KOHL	450398
WAA4676	FORD	6930	WRF1115	AU-WS	5965	X1507	CONTI	471137	X2719	KOHL	471267!
WAA4676B	FORD	6930	WRF1115A	B-L-H	5965	X1512	CONTI	450269	X275	CUSH	471643!
WAA7052A	FORD	410059	WRF1115A	CLARK	5965	X1518	CONTI	473467!	X28	GEHL	472015!
WAA7052A	FORD	470380!	WS238A32	FORD	471652	X1519	CONTI	450446	X28473	FMC	5865
WAA7052A1	FORD	410059	WS238A32	FORD	482208!	X152	ULRIC	472015!	X285525	US-EL	47181!
WAA7052A1	FORD	470380!	WVR23	DEVIL	471538!	X1520	CONTI	408	X28A2122	DALMO	240716
WAT4676A	FORD	6930	WX13136	ALLCH	40370S	X1527	CONTI	412119	X3010	FUNK	472029
WAT4676A3	FORD	6930	WX916	GMC	240385	X15299A	CASE	450984	X301SP799	CLARK	415138!
WAT4676B	FORD	7044NA	WY31912-105	LK-BT	472016	X153	ULRIC	473367!	X32142	FMC	415984!
WAT4676B1	FORD	7044NA	WY31912-109	LK-BT	473245!	X153	ULRIC	473367	X332433102	BOSTN	473010!
WAT4676B2	FORD	7044NA	WY31912-129	LK-BT	415449!	X1553	CONTI	474272!	X332672	WHITE	473367!
WD756	MINNM	474272	WY31912-145	LK-BT	417316!	X1555	CONTI	473467!	X351A	CHERY	417967!
WF01152	RACIN	471442!	WY31912-25	LK-BT	471570!	X1607024	GMC	8871	X352A	CHERY	416107!
WF01164	RACIN	471472!	WY31912-41	LK-BT	476838!	X169759	US-EL	471076	X352A	CHERY	455073
WF0124	RACIN	473226	WY31912-49	LK-BT	471766!	X170185	FORD	471224	X353986	US-EL	200642
WF0145	RACIN	471554!	WY31912-81	LK-BT	472185!	X17036	AMC	473367!	X363	HOUGH	455019!
WF0170	RACIN	474278	WY319121	LK-BT	50199S!	X17036	AMC	473367	X377	HOUGH	472144!
WFD124	RACIN	473226	WY319121	LK-BT	6863S!	X17604	US-EL	450039	X3796	KOHL	470380!
WIR361	ROCKW	JV1113=	WY3191257	LK-BT	471192	X176888	US-EL	471272!	X3799	KOHL	3120N=
WIR381	ROCKW	JX1990=	WZ2731	WABCO	412725	X178187	GMC	240119	X38444A	BOSTN	450593!
WIR441	ROCKW	J1119	X-13-T536	IG-RA	407774!	X17909	GMC	471554!	X407279	WHITE	415007
WIR462	ROCKW	100495	X-301-SL799	B-L-H	472492!	X179175	CUMMI	J1134	X407346	WHITE	410308!
WIR462	ROCKW	5601	X-301-SN799	B-L-H	470380!	X17937A	VICK	340823	X407363	WHITE	410694!
WIR521	ROCKW	JV1122=	X-301-SP799	B-L-H	415138!	X20264143	REX	472397!	X407776	WHITE	474279N
WJ318	F-R-H	417211!	X-602-23715	REX	470950!	X202648143	REX	472397!	X413644	WHITE	55155=
WJ495	F-R-H	455584	X-602-23715	REX	6241S	X203536	REX	472322	X419339	WHITE	417556
WJ618	F-R-H	417211!	X-A445FHA	CASE	472560N!	X20385941	REX	472394	X420538	WHITE	415645!
WK116757	ALLCH	415458!	X0120L200	CONTI	450446	X20433	BOSTN	340771	X420538	WHITE	455104
WKM85641	ALLCH	330385!	X0120L210	CONTI	415389	X20779	FORD	2443	X425651	WHITE	412119
WO-10	ATP	4539H	X0373170	IH	415962	X211111	US-EL	450400	X425746	WHITE	473010!
WO-9	ATP	3622	X0E9	WHITE	473454	X212176	US-EL	415302	X425747	WHITE	472185!
WO100	EGDYN	35094	X1015992	DURA	473313!	X21230	GMC	418028	X425748	WHITE	417316!
WO25598	SKF	25598	X10693	REX	455008	X21230	GMC	455137!	X430339	WHITE	416153!
WO8278	ROL	35316	X10736	AMC	473367!	X21238	GMC	415937!	X43482A	VICK	471192
WO8285	ROL	35292	X10736	AMC	473367	X220073	US-EL	415991	X445016	WHITE	340823
WO8292	ROL	35315	X108	ULRIC	410694!	X220073	US-EL	415991!	X448	HOUGH	417596
WO8307	ROL	427	X109444A	BOSTN	471255!	X220074	US-EL	416380!	X452064	WHITE	480630
WO8307	ROL	427RR	X10955	BRAD	470380!	X220734	FORD	471763	X46248	GMC	471763
WO8318	ROL	35410	X11144	PARGN	473446	X220903	US-EL	473016!	X46249	GMC	412473!
WO8321	ROL	35402	X115	HOUGH	472394	X221327	US-EL	471821!	X4788	COC	204035
WO8327	ROL	35394	X11518	PARGN	416664!	X221444	BOSTN	471549!	X49063	COC	50514
WO8338	ROL	35094	X1160122	ALLCH	416135!	X221444	BOSTN	472467	X495045	WHITE	470004!
WO8343	ROL	35524	X1160216	ALLCH	416556!	X22270	ALLCH	472636!	X500117401	WHITE	415185H=
WO8348	ROL	35486	X1160216	ALLCH	472157	X223770	US-EL	416288!	X50058	GMC	350156
WO8383	ROL	35524	X1160246	ALLCH	415137!	X225818	US-EL	415988	X50058	GMC	473096
WO8395	ROL	35526	X1160246	ALLCH	418028	X22658	MYERS	455280	X50734	BENDI	340771
WO8396	ROL	35361	X1160303	ALLCH	470954!	X22793	ALLCH	471689!	X50743	BENDI	240319
WO8402	ROL	35531	X1162562	ALLCH	472164!	X22949	ALLCH	472179	X50799	ALLCH	416364!
WO8404	ROL	25598	X1162682	ALLCH	472572!	X22950	ALLCH	471138!	X508175	US-EL	473445
WO93801	HERCU	J1128	X1162694	ALLCH	472397!	X230926	US-EL	415449!	X514308	US-EL	472164!
WO97801	HERCU	J1134	X1162717	FUNK	416154!	X231444101	BOSTN	471684!	X52089	BENDI	472560N!
WP035	EGDYN	35224	X11791	PARGN	473224!	X232829	US-EL	417171!	X52167	BENDI	471267!
WP153151	ALLCH	414268=	X118	ULRIC	472185!	X236	HOUGH	450275	X5229	JOHND	472287!
WP17733	ALLCH	473228!	X11872	BRAD	473231!	X237	HOUGH	470950!	X52444A	BOSTN	471750!
WP9493	ROL	35418	X12127	PARGN	473010!	X237	HOUGH	6241S	X53616	GMC	413246
WR11063	GWI	415995!	X1220	IG-RA	476470	X25215	IH	416865!	X5393	CONTI	472492!
WR11064	GWI	417541	X12433	BRAD	472164!	X262339	US-EL	415034!	X5397	CONTI	411245!
WR11141	GWI	473245!	X125514	LEROI	480630!	X2671	COC	472560N!	X5414	HU-WR	470954
WR11582	GWI	474281!	X13176	PARGN	472258	X2672	COC	471820	X5415	BU-SP	240385
WR14310	GWI	416888!	X13177	PARGN	415449=	X2711	KOHL	330385!	X545	CASE	471466!
WR15090	GWI	472924!	X1318939	GMC	472164!	X27110	KOHL	471646!	X549	CASE	471442!
WR16607	GWI	417538	X1334284	GMC	472179	X27113	KOHL	474276!	X551469	US-EL	472144!
WR254	CEW	224045	X13444	BOSTN	350909	X27114	KOHL	472572!	X55311	GMC	474276!
WR254	CEW	40X62X12!	X13444	BOSTN	471224!	X27116	KOHL	240215	X556927	US-EL	415259!
WR309	CEW	224235	X1380974	GMC	473179!	X27117	KOHL	340815	X558070	US-EL	472179
WR309	CEW	42X58X7!	X13C207	CONTI	471466!	X27118	KOHL	471341!	X560324	US-EL	450457
WR398	CEW	1174	X13T-2A	IG-RA	472397!	X2712	KOHL	472287!	X563000	US-EL	471766!
WR398	CEW	38X52X8.5!	X13T296	IG-RA	450593!	X27124	KOHL	450065	X565043	US-EL	450275
WR546	CEW	228010	X14231	BRAD	471466!	X2713	KOHL	470088	X569684	US-EL	472185!
WR9046	GWI	417211!	X143620	FORD	482253	X2714	KOHL	471466!	X5704	REX	415960!

! Industrial Size/Type

= The U.S. customer service number is 877-4-TIMKEN. The Canadian customer service numbers are 800-565-4927 (English) and 800-565-0438 (French-Canadian).

Mfr. No.	Name	Zero Duplication or Recommended Industrial	Mfr. No.	Name	Zero Duplication or Recommended Industrial	Mfr. No.	Name	Zero Duplication or Recommended Industrial	Mfr. No.	Name	Zero Duplication or Recommended Industrial
X5705	REX	472012	X730625	US-EL	415483	XA18799	CASE	472636!	XAB12038	JOHND	330385!
X573769	US-EL	473232	X73083	US-EL	450400	XA18809	CASE	411376!	XAB22514	JOHND	410496!
X5764	REX	415995!	X7517	REX	471689!	XA19064	CASE	415449!	XAF22204	JOHND	415035
X5833	KOHL	471413!	X7564	REX	417546!	XA19644	GMC	471538!	XAF22204	JOHND	415035!
X583335	US-EL	473232!	X7610	REX	455249!	XA20732	CASE	415458!	XAG10583	JOHND	472258
X5834	KOHL	473215!	X7723	REX	205035	XA20964	CASE	473197	XAG15542	JOHND	471224!
X5964	REX	472015!	X7810	CONTI	473467!	XA21243	CASE	472164!	XAG15991	JOHND	480630!
X602	REX	470950!	X7812	CONTI	474272!	XA21672	CASE	418028	XAG17458	JOHND	471442!
X602	REX	6241S	X7852	REX	417191	XA21672	CASE	455137!	XAG18773	JOHND	471272!
X6082	PETTI	473245!	X7852	REX	456585	XA21673	CASE	418028	XAG18773A	JOHND	471341!
X6114	REX	415035	X7874	REX	40067S=	XA21673	CASE	455137!	XAG18811	JOHND	323138!
X6114	REX	415035!	X78970	US-EL	471267!	XA23602	CASE	471504!	XAG21328A	JOHND	474276!
X6115	REX	476470	X7903	REX	472439	XA24140	CASE	415036	XAH91356	JOHND	473197
X61397	US-EL	412943	X8006	REX	450467	XA24142	CASE	415036	XAK2019A	JOHND	474278
X6160	REX	417357	X8057	REX	412871!	XA24683	GMC	472439	XAK2027	JOHND	471231!
X6160	REX	455192!	X8089	REX	472179	XA249A	BR-WN	471141	XAO16492	JOHND	473241
X6176	REX	413469!	X82025	US-EL	450039	XA26033	CASE	472015!	XAO16784	JOHND	472560N!
X61794	US-EL	471648	X8208	REX	415254	XA26425	CASE	471649!	XAO5188	JOHND	472179
X6205	REX	473457!	X8209	REX	474256	XA29463	CASE	471271!	XAO5258	JOHND	473227
X6209	REX	471689!	X8210	REX	472924!	XA31465	CASE	415984!	XAO75773AA	JOHND	470898=
X6221	REX	470059	X84534	US-EL	415302	XA40865	CASE	470898	XAO77079A	JOHND	417484!
X6221	REX	470380!	X84570	DALMO	450457	XA41888	CASE	J1103	XAO77631AA	JOHND	471271!
X628809	WHITE	471737	X84570	US-EL	450457	XA43515	CASE	415137!	XAO7991A	JOHND	471264
X6294	REX	415371	X84571	US-EL	472164!	XA43515	CASE	418028	XAO7991B	JOHND	471466
X630	REX	472924!	X84573	US-EL	472179	XA43517	CASE	417499	XAO7992A	JOHND	470954
X6329	REX	415937!	X89048	US-EL	471821!	XA43518	CASE	J1125	XAR15155	JOHND	472164!
X6335	REX	480210!	X89204	US-EL	471192	XA43816	CASE	413247!	XAR28635	JOHND	340356
X6336	REX	471224!	X8948	KEWNE	204027	XA43817	CASE	415984!	XAR33144	JOHND	450400
X6349	REX	416107!	X8C1190	FORD	472179	XA45392	CASE	471413!	XARE110	JOHND	450474
X6349	REX	455073	X8N4233	FORD	471868	XA5089129	IH	412027	XARE3342	JOHND	470954!
X6353	REX	411245!	X9102126	CHRYSL	1198	XA5539159	IH	472924!	XARE4222	JOHND	450084!
X6363	REX	416654!	X96863	GMC	3893V!	XA5539278	IH	472299	XARE481	JOHND	417181!
X6364	REX	473214!	X96863	GMC	415379=	XA5580144	IH	415449!	XAW8070B	JOHND	472705!
X637	REX	473211!	X96863	GMC	415379!	XA558092	IH	415379	XAW8293A	JOHND	471442!
X638090	WHITE	472258	X97421	VICK	482126	XA558092	IH	415379	XAY4734	JOHND	471766!
X6382	REX	416153!	XA077029AA	JOHND	417484!	XA597	AU-LI	471442!	XB6442	CASE	473380
X6387	REX	473243	XA1024	PREST	471554!	XA652	AU-LI	471766!	XB90050	COC	471192
X6389	REX	473225!	XA1104	PREST	471354!	XA654	AU-LI	351487	XC12933	MID-R	471224!
X6392	REX	411394!	XA11248	CASE	417316!	XA654436	US-EL	473197	XC12962	MID-R	471224!
X64030	SPICE	471442!	XA11339	CASE	410308!	XA694	AU-LI	471762!	XC135639	SCHWI	417484!
X6486A	VICK	418028	XA11747	CASE	473226	XA710	AU-LI	471224	XC138211	SCHWI	472636!
X6486A	VICK	455137!	XA1176	OLIVE	416271!	XA717	AU-LI	471224!	XC330598	FORD	471271!
X650638	US-EL	473459	XA12384	GMC	471442!	XA721	AU-LI	471571	XC376	BL-KN	471466!
X650841	US-EL	471570!	XA12523	CASE	415035!	XA74217	CASE	416107!	XC96755	C-P	470774!
X654335	US-EL	471424!	XA12523	CASE	415035	XA7667A135	LEECE	471633=	XE13250E	JOHND	471841
X6549	REX	412119!	XA129585	CASE	416267!	XA78731	ALLCH	471271!	XE17609E	JOHND	416339
X658057	US-EL	481397	XA130146	CASE	415027	XA813	AU-LI	471231!	XE177	OLIVE	472951
X6586	REX	474274	XA132694	CASE	417509	XA876	AU-LI	330385!	XE177	OLIVE	474252
X658621	IH	416130!	XA13379	HWY	417494	XA91793	CASE	415294!	XE3TW11772	FORD	8835S
X65862231	IH	412943	XA13640	CASE	471347	XA91831	CASE	471442!	XE82354	FORD	471689!
X658623	IH	472164!	XA138225	CASE	413470!	XA92050	CASE	415937!	XED8906	EATON	471267!
X661762	US-EL	471570!	XA14848	CASE	415138!	XA92072	CASE	473237!	XER90620	EATON	470898
X662697	EL-MO	471821!	XA1487	PREST	240470	XA98870	CASE	417123=	XER90654	EATON	473459
X662697	US-EL	471821!	XA152753	GMC	350909	XA99254	CASE	415449!	XER90703	EATON	471532
X664295	US-EL	473244!	XA152753	GMC	471224!	XAA13269	JOHND	471224!	XER90724	EATON	473228
X665395	US-EL	416267!	XA153325	CASE	416404!	XAA13269A	JOHND	471224!	XER91444	EATON	350936
X6744	REX	416167!	XA154253	CASE	471424!	XAA15602	JOHND	450129	XER9213	ALLCH	472705!
X6767	REX	415001!	XA156617	CASE	471272!	XAA15602	JOHND	472826!	XET95343	EATON	413246
X6811	REX	417621!	XA15678	CASE	471835!	XAA17322	JOHND	470898	XET95349	EATON	471224!
X6872	REX	472016	XA15683	CASE	473227	XAA18248	JOHND	472560N!	XF52-6700AA	FORD	224052
X6879	REX	473229	XA15684	CASE	472179	XAA19918	JOHND	471554!	XF52-6700AA	FORD	224052
X6931	REX	417492	XA15692	CASE	417181!	XAA20808	FORD	2503	XFS3S	CASE	473473
X6995	REX	473234	XA157228	CASE	476808=	XAA20808	FORD	2503N	XG167	OLIVE	471766!
X708819	AVCO	451143	XA15769	CASE	415379	XAA21065	FORD	2551	XG168	OLIVE	473214!
X7100	REX	472144!	XA15821	CASE	472164!	XAA21693	JOHND	471271!	XG2811	JOHND	473227
X7117	REX	456105	XA158371	CASE	471424!	XAA22407	JOHND	415035!	XG328	OLIVE	471765!
X72202A	VICK	240385	XA16138	CASE	471341!	XAA22407	JOHND	415035	XH11726	FORD	471763
X72203A	VICK	240027=	XA17037	CASE	455566	XAA2375	JOHND	470954!	XH125254	LEROI	474272
X729120	US-EL	471391!	XA17416	CASE	415458!	XAA2973	FORD	471652	XH139	OLIVE	472397!
X730082	US-EL	470605!	XA18156	CASE	456105	XAA33187	JOHND	474276!	XH1530433	BOSTN	472924!
X730093	US-EL	470898	XA18547	CASE	471579	XAA743	FORD	240414	XJ215S	CASE	472560N!
X730624	US-EL	417433!	XA18793	CASE	42352S	XAA9322	FORD	472070	XL205	OLIVE	472016

ALPHABETICAL INTERCHANGE

! Industrial Size/Type

= The U.S. customer service number is 877-4-TIMKEN. The Canadian customer service numbers are 800-565-4927 (English) and 800-565-0438 (French-Canadian).

Zero Duplication or Recommended Industrial		Zero Duplication or Recommended Industrial		Zero Duplication or Recommended Industrial		Zero Duplication or Recommended Industrial		
Mfr. No.	Name	Mfr. No.	Name	Mfr. No.	Name	Mfr. No.	Name	
XL34-7052AA	FORD	223012	XY41050 JOHND	470950!	YS4751 NATSU	415138!	Z273 WHITE	417621!
XL3P-7052-AA	FORD	100189	XY41050 JOHND	6241S	YS5120 NATSU	455071N* =	Z289 COC	365008
XL484	OLIVE	471138!	Y14280 WAUKE	40185	YS5872 NATSU	455297	Z289 WHITE	365008
XL76370	NEWWR	3459	Y143218 GA-WO	417351!	YS6870 NATSU	455584	Z29154 ALLCH	415458!
XLB444	BOSTN	351028	Y14479 WAUKE	50199S!	YS6886 NATSU	472185!	Z310 COC	450869
XLD51181	MARMO	472179	Y14479 WAUKE	6863S!	YS7622 NATSU	417598	Z320 COC	473197
XM1524	CASE	471354!	Y205176 CUMMI	470898	YT156 MINNM	481864	Z320 WHITE	473197
XM336725	FORD	473234!	Y209810 CUMMI	471413!	YT330 MINNM	473215!	Z33-S443003950 FAIRB	470950!
XM507674	FORD	472299	Y324151RX SPG	324151=	YX133 GRAY	476838!	Z33-S443003950 FAIRB	6241S
XN300531	FORD	472492!	Y344725 IG-RA	470565!	Z10260 EATON	415023	Z33-S443015310 FAIRB	415138!
XN305440	FORD	471820	Y381653 WHITE	415995!	Z1026AC EATON	416339	Z33-S443173945 FAIRB	470950!
XN307035	FORD	472164!	Y383784 IG-RA	415725!	Z1026AC EATON	455031!	Z33-S443173945 FAIRB	6241S
XN307049	LEROI	472287!	Y400B-225 CONTI	470334!	Z1026AD EATON	474273	Z403 COC	412861
XN322499	FORD	450911N!	Y400K3330 CONTI	BS1280	Z1026AF EATON	412871!	Z414 COC	471224!
XN337312	FORD	473234!	Y4170 GRAY	471766!	Z1026AH EATON	417262!	Z414 WHITE	471224!
XN606422	FORD	473228!	Y4323 GRAY	450398	Z1026B EATON	471137	Z4405VX SPG	4405V
XN608008	FORD	200642	Y4323 GRAY	471267!	Z1026BA EATON	472157!	Z525 COC	417344!
XN609020	FORD	415027	Y5045 WAUKE	470334!	Z1026BA EATON	472157	Z535 COC	470774!
XN609020	FORD	415027!	Y5229 JOHND	472287!	Z1026BD EATON	473214!	Z536 COC	415458!
XN610356	FORD	455625=	Y6569 WAUKE	472015!	Z1026C EATON	450593!	Z540 COC	450269
XN610357	FORD	455396	Y6572 WAUKE	474265	Z1026D EATON	476838!	Z550 WHITE	6575S
XO16817	JOHND	471341!	Y66379 WHITE	370006A	Z1026E EATON	471750!	Z576 COC	473444
XO37818	JOHND	450188	Y714599 WHITE	417484!	Z1026F EATON	473215!	Z599 COC	470625!
XOS175	BOSTN	476820	Y714702 WHITE	415138!	Z1026G EATON	470059	Z599 WHITE	470625!
XOS212	BOSTN	476808=	Y717703 WHITE	476470!	Z1026G EATON	470380!	Z606 COC	473313
XOS400	BOSTN	476816=	Y717703 WHITE	476470	Z1026H EATON	473367!	Z6067 OLIVE	476838!
XP32496	FORD	331107N	Y717754 WHITE	5M497	Z1026H EATON	473367	Z6068 OLIVE	471766!
XP34777	FORD	331107N	Y825170 WHITE	472179	Z1026I EATON	470334!	Z6205 OLIVE	473016!
XP67266	FORD	7692S	Y827376 WHITE	412871!	Z1026J EATON	450084!	Z6206 OLIVE	471192
XP67267	FORD	7300S	Y827377 WHITE	416921!	Z1026K EATON	470530!	Z6572 JOHND	476838!
XP76539	FORD	473473	Y904016 EL-PA	417621!	Z1026L EATON	415001!	Z6572H JOHND	476838!
XPG-F4922	AU-WS	472409	Y91L202 CONTI	472924!	Z1026M EATON	415960!	Z6573 JOHND	471750!
XPGF16067	AU-WS	415995!	YF630 F-R-H	417354!	Z1026N EATON	415995!	Z668 COC	340724!
XR12370	CASE	473231	YL24-3N296AA FORD	714675	Z1026O EATON	415023	Z668 WHITE	340724!
XR3102	FORD	410059	YL2Z-4L616AA FORD	714675	Z1026P EATON	415025	Z6855 OLIVE	471689
XR3102	FORD	470380!	YL2Z-4L616AB FORD	714675	Z1026Q EATON	415027!	Z7151 JOHND	411253!
XR7221	OLIVE	J1119	YL84-7052AA FORD	1990	Z1026Q EATON	415027	Z7151H JOHND	411253!
XR7221	WHITE	J1119	YL8P7H260AA FORD	481191V	Z1026R EATON	416345!	Z834270 EL-PA	473458!
XR737	OLIVE	340356	YL8W-7H426-AA1 FORD	3604	Z1026R EATON	455033	Z835639 EL-PA	471750!
XS120398	CASE	416167!	YL8W-7H426-AA1 FORD	4846	Z1026S EATON	415035!	Z902417 EL-PA	417316!
XSP8600A	CASE	470088	YL8W-7H429-AA1 FORD	471113V	Z1026T EATON	415058	Z90343 EL-PA	472924!
XSP8714	CASE	413247!	YL8W-7H469-CA FORD	100566	Z1026U EATON	415351!	Z93324 GMC	474278
XT15166	C-W	415483!	YL8Z1177AA FORD	481191V	Z1026V EATON	416107!	Z9342A GMC	471466!
XT154119	C-W	416229	YS0500 NATSU	471442!	Z1026V EATON	455073	ZNL749 DURA	473214!
XT60694	FORD	7442H	YS0750 NATSU	471554!	Z1026W EATON	417562	ZNL750 DURA	473236!
XT67101	GMC	471692!	YS10002 NATSU	417020	Z1026X EATON	415035	ZZM0-33-067 FORD	8312
XT7584	GMC	6936S	YS1500 NATSU	470059	Z1026X EATON	415035!	%428454C91 IH	370003A
XU171444B	BOSTN	471224!	YS1500 NATSU	470380!	Z1089AA EATON	417262!	00014002456 LF-PT	470898
XVP2099	LETN	J1106	YS1503 NATSU	474281!	Z1089B EATON	473214=	00014002695 LF-PT	415449!
XVR1035	ESSIC	415991	YS1560 NATSU	473229	Z1089C EATON	450059V=	00014003254 LF-PT	415196!
XVR1035	ESSIC	455146!	YS1561 NATSU	473229	Z1089D EATON	473232=	00014012850 LF-PT	485725N
XVWSF27433	BOSTN	470954!	YS1562 NATSU	473229	Z1089E EATON	470334=	00029141 SPERY	474278
XW15754	FORD	9569S	YS1590 NATSU	482253	Z1089F EATON	472439=	0003207340 RENUA	713152
XW1652	FORD	6930	YS1753 NATSU	472185!	Z1089G EATON	470898=	0006116 HYST	415645!
XW19076	FORD	473228	YS1871 NATSU	473238	Z1089K EATON	417349=	0006570 HYST	415035
XW19835	FORD	9363S	YS1872 ARMCO	472572!	Z1089L EATON	455566=	0006570 HYST	415035!
XW20317	FORD	51322	YS1872 NATSU	472572!	Z1089M EATON	455146V=	0007959 HYST	415351!
XW20318	FORD	9161	YS2000 NATSU	470530!	Z1089N EATON	472157=	0008329 HYST	470530!
XW21807	FORD	9568	YS2004 NATSU	473242	Z1089P EATON	415725=	0008638 HYST	471567!
XW21911	FORD	9569S	YS2502 NATSU	415449!	Z1089R EATON	471137	0008639 HYST	471570!
XW2365	CASE	240736	YS3252 ARMCO	476470	Z1089S EATON	450593!	0008741 HYST	470380!
XW24525	FORD	473228	YS3252 NATSU	476470	Z1089T EATON	473367!	0008748 HYST	471264!
XW26444101	BOSTN	470625!	YS3340 NATSU	412473!	Z1089T EATON	473367	0009141 HYST	450084!
XW26444102	BOSTN	472185!	YS3501 NATSU	415027	Z1089V EATON	470530=	00092BGOE SABO	414045
XW4Z6700AA	FORD	473454	YS3501 NATSU	415027!	Z1089Y EATON	415034=	000931634 AMC	471504
XW70063A	JOHND	240735	YS4000 NATSU	415035	Z10909 GMC	455480!	000935612 AMC	8676S
XW8069	FORD	7044NA	YS4000 NATSU	415035!	Z120S201 CONTI	50199S!	000939335 AMC	410308!
XW8454	FORD	9568	YS4255 NATSU	416149	Z120S201 CONTI	6863S!	0009971446 MERCE	110X140X13!
XW8455	FORD	7044NA	YS4500 NATSU	416888!	Z17036B OLIVE	40061S=	0009971446 MERCE	231108
XW8456	FORD	472070	YS4501 NATSU	416892!	Z224 COC	416271!	0009971546 MERCE	223800
XW8582	FORD	8168=	YS4503 NATSU	416154!	Z268 COC	415995!	0009971746 MERCE	1174
XX1634135	CATER	417171!	YS4620 NATSU	415371	Z273 COC	417621!	0009971746 MERCE	38X52X8.5!

! Industrial Size/Type *Minor Width Difference

= The U.S. customer service number is 877-4-TIMKEN. The Canadian customer service numbers are 800-565-4927 (English) and 800-565-0438 (French-Canadian).

OIL SEALS

0009972747 – 0077993

Mfr. No.	Name	Zero Duplication or Recommended Industrial	Mfr. No.	Name	Zero Duplication or Recommended Industrial	Mfr. No.	Name	Zero Duplication or Recommended Industrial	Mfr. No.	Name	Zero Duplication or Recommended Industrial
0009972747	MERCE	222030	0035828	HYST	416654!	0046671	HYST	416380!	0062-13059LUP	JN-MN	471466!
0009972847	MERCE	224045	0036352	HYST	415219	0046697	HYST	471413!	0062-13914LUP	JN-MN	471466!
0009972847	MERCE	40X62X12!	0037-5270SS	JN-MN	471103!	0046831	HYST	415350	0062-5084SS	JN-MN	471466!
0009973446	MERCE	229520	0037-6362SS	JN-MN	330385!	0047479	HYST	417357	0062-5152LUP	JN-MN	471466!
0009973446	MERCE	95X130X12!	0037103	HYST	416476!	00480BA	SABO	82X105X13	0062-5410SS	JN-MN	471264!
0009974346	MERCE	222510	00376764	ALLCH	472924!	0048549	HYST	471192	0062-6093SS	JN-MN	471466!
0009974646	MERCE	110X140X13!	003964BXR	SPG	1969	00487033	ALLCH	415449!	0062-6189SS	JN-MN	343105
0009974646	MERCE	231108	003964BXR	SPG	48X63X9!	00487207	ALLCH	471785!	0062-6189SS	JN-MN	7399S!
0009977446	MERCE	110X140X13!	0039970347	MERCE	710289	00488BRG	SABO	224255	0062-9152LUP	JN-MN	471564
0009977446	MERCE	231108	0039975146	MERCE	110X140X13!	0049541	HYST	471750!	00624880LUP	JN-MN	471255!
001-301-227	VW	2027	0039975146	MERCE	231108	005-997-7846	MERCE	1996	00625506SS	JN-MN	471255!
001-301-227C	AUDI	2027	0039978147	MERCE	20X42X7	0050-11124SS	JN-MN	340847	00629634LUP	JN-MN	471466!
001-301-227C	VW	2027	00400053	SEAMA	55367=	0050-12038LUP	JN-MN	471526!	00644294	ALLCH	240356
00100412	SPERY	200354	0041454	HYST	415074	0050-12244SS	JN-MN	342613!	0065-13135LPD	JN-MN	481537
001143040	LF-PT	415498	0041455	HYST	417172	0050-13163LPD	JN-MN	471526!	0065-13469LPD	JN-MN	481073
00115950	SPERY	204035	0041733	HYST	416364!	0050-13448LUP	JN-MN	471472!	0065-4789SS	JN-MN	481073
001258120	LF-PT	7512SSO*	0041738	HYST	413478	0050-13778SS	JN-MN	471442!	0065-5591SS	JN-MN	481528
0014015	HYST	340356	0042875	HYST	455308	0050-14806LUP	JN-MN	471442!	0065-5831LUP	JN-MN	481073
00144539	LF-PT	5401	0043-14657SS	JN-MN	472810!	0050-4810SS	JN-MN	471442!*	0065-9305LPD	JN-MN	481397
002-997-9646	MERCE	239135	004316426SS	JN-MN	50199S!	0050-5883SS	JN-MN	471526!	0066-5151SS	JN-MN	481537
00200196	ALLCH	473367!	004316426SS	JN-MN	6863S!	0050-8855SS	JN-MN	471549!	0066-5984LPD	JN-MN	471579
0021051	HYST	471763	004316769SS	JN-MN	50199S!	0050-9212SS	JN-MN	330699	0066-6439SS	JN-MN	17X40X7
00211700	AJUSA	1172	004316769SS	JN-MN	6863S!	005039	SPG	5039	00665900	AJUSA	232035
0021828	HYST	470088	00435701	ALLCH	450273	00505135SS	JN-MN	471472!	0066974	HYST	323138!
0021870	HYST	450147	0044454	HYST	417474	00505473SS	JN-MN	471442!	0067-10336LUP	JN-MN	471579
00220500	AJUSA	229210	0044456	HYST	351487	00511451	ALLCH	471205!	00670142	ALLCH	473214!
00224955	ALLCH	240414	0044459	HYST	417205!	005171	DISOG	470625	006748	NATEN	472572!
00231000	AJUSA	229210	0044461	HYST	417254	0051718	HYST	455189	0068-10904LPD	JN-MN	471553!
00241485-03	ALLCH	451350*=	0044472	HYST	416282	0052623	HYST	40337S	0068-4793SS	JN-MN	471538!
0024410015	RENAU	221540	0044476	HYST	345448	00526624	ALLCH	240735	0068-5305SS	JN-MN	471529
0024410122	RENAU	222240	0044478	HYST	455079!	0053-12934SS	JN-MN	481534	0068-6851LA	JN-MN	471553!
0024411383	RENAU	223831	0044479	HYST	416664!	005331	SPG	473229	0068-9113LPD	JN-MN	471529
0024411453	RENAU	1012	0044483	HYST	240736	00535179	ALLCH	471205!	00685131	ALLCH	472144!
0024411453	RENAU	1012N	0044484	HYST	416154!	0053670	ALLCH	471316!	00688032	GMC	J1109
0024676	HYST	470605!	0044490	HYST	415023	0053902	HYST	455858	00688282	GMC	JV1837
00248348	SPERY	415303!	0044493	HYST	455375=	00542951	ALLCH	411394!	00688283	GMC	JV1836=
0025-5620SS	JN-MN	343104	0044495	HYST	472144!	005523	DISOG	473238	0069028	HYST	411376!
0025-7037SS	JN-MN	350435	0044500	HYST	40520S	005524	DISOG	710009	0069970546	MERCE	120X145X12!
0026186	HYST	471820	0044503	HYST	472164!	0055252	HYST	471466!	0069970546	MERCE	231204
0026640	HYST	450143	0044504	HYST	455509	0056-12337LUP	JN-MN	471281!	0069971247	MERCE	710289
0027260	HYST	470712!	0044508	HYST	365008*	0056-14981LPD	JN-MN	471551!	0069973347	MERCE	712003
0027531	HYST	471442!	0044515	HYST	451948	0056-15213LPD	JN-MN	450536	0069979846	MERCE	417967!
00289290	SPERY	481163!	0044517	HYST	240735	0056-15213LPD	JN-MN	471535!	007-997-3646	MERCE	231002
0029117	HYST	450040	0044522	HYST	415551	0056-5239SS	JN-MN	471281!	00701425	SPERY	472015
0029308	HYST	410987!	0044523	HYST	472150	0056-5850SS	JN-MN	472705!	007102610	LF-PT	410308!
0029760	HYST	415082	0044525	HYST	415072	0056-6069SS	JN-MN	472705!	007214941	LF-PT	456967N* =
0029971346	MERCE	223610	0044526	HYST	416865!	0056-6388SS	JN-MN	472705!*	007226017	LF-PT	417474
0029971346	MERCE	710197!	0044527	HYST	417601	005733	SPG	472016	0074961	ALLCH	412040
003-507-264C	VW	224520	0044528	HYST	415482	0057549	HYST	471272!	00749622	ALLCH	470898!
003-507269A	VW	224520	004453	HYST	417562	0057936	HYST	40494S	0075-12564LDS	JN-MN	471567!
003-519-089A	VW	3051N	0044530	HYST	415302	0059-5138SS	JN-MN	471558	0075-13068LPD	JN-MN	471567!
003-519-089D	VW	3051N	0044531	HYST	240733	0059-6570LPD	JN-MN	471558	0075-13580LPD	JN-MN	471554!
003-992-9546	MERCE	239133	0044532	HYST	240731	0059395	HYST	415001!	0075-14797LDS	JN-MN	470954!
00302B	SABO	1012N*	0044536	HYST	416775	00599472	ALLCH	470898	0075-15439LPD	JN-MN	470954!
00302B	SABO	224662*	0044540	HYST	411330!	0059971146	MERCE	224045	0075-5166SS	JN-MN	470954!
0031-6269SS	JN-MN	50883=	0044547	HYST	417507	0059971146	MERCE	40X62X12!	0075-5195SS	JN-MN	1049
0031-7016SS	JN-MN	350364	0044547	HYST	417507!	0059974146	MERCE	224045	0075-5992SS	JN-MN	470954!*
0031234	HYST	410102	0044548	HYST	415027	0059974146	MERCE	40X62X12!	0075-6418SS	JN-MN	471567!
0031235	HYST	412920!	0044552	HYST	411253!	0059974446	MERCE	125X150X12!	0075-6531SS	JN-MN	471567!
0031508	HYST	417538	0044554	HYST	471633!	0059974446	MERCE	231250	0075-6932LA	JN-MN	471567!
0031960	HYST	471821!	0044559	HYST	410737!	0059975046	MERCE	1012	0075-8463LUP	JN-MN	471554!
0031970	HYST	415991	0044560	HYST	417298	0059975046	MERCE	1012N	0075-9240LUP	JN-MN	470954!
0031970	HYST	455146!	0044561	HYST	417501	0059975046	MERCE	45X62X8!	0075-9339LUP	JN-MN	471643!
0032166	HYST	416239!	0044562	HYST	474272!	0059978347	MERCE	710290	0075-9651LUP	JN-MN	470954!
0032205	HYST	472012	0044563	HYST	415960!	00605.16540	ALFAR	224100	0075-9983LUP	JN-MN	471684!
0032875	HYST	412040	0044565	HYST	416077	00605165400000	ALFAR	224100	0075-9992LPD	JN-MN	471567!
0032969	HYST	415371	0044566	HYST	470625!	00610BR	SABO	80X100X10!	00753081033	ALLCH	416891!
0034539	HYST	416158	0044568	HYST	470565!	00615BR	SABO	36X56X10	00756268SS	JN-MN	343185
0034820	HYST	415007	0044570	HYST	416666	00616BR	SABO	102X130X13	00757674	ALLCH	470898!
0035001181	LF-PT	8636=	0045587	HYST	471354!	0062-11125SS	JN-MN	340849	0077115	HYST	416107!
003507125A	VW	221040	0045729	HYST	455280	0062-11327SS	JN-MN	351487	0077692	HYST	470898
0035608	HYST	415984!	0046-15026SS	JN-MN	50200	0062-12876LUP	JN-MN	471255!	0077993	HYST	471413

! Industrial Size/Type * Minor Width Difference

= The U.S. customer service number is 877-4-TIMKEN. The Canadian customer service numbers are 800-565-4927 (English) and 800-565-0438 (French-Canadian).

NUMERICAL INTERCHANGE

Zero Duplication or Recommended Industrial		Zero Duplication or Recommended Industrial		Zero Duplication or Recommended Industrial		Zero Duplication or Recommended Industrial	
Mfr. No.	Name	Mfr. No.	Name	Mfr. No.	Name	Mfr. No.	Name
0078-14779LPD	JN-MN 20X32X7	009814589SS	JN-MN 25X35X7!	0106-5724LPD	JN-MN 471762!	01231AB	CASE 5M403
0078-18798LUP	JN-MN 481443!	0098471	HYST 415295	0106-6771SS	JN-MN 471705!	0123270	HYST 415960
0078016	HYST 473459	0098524	HYST 472179	0106-7215LUP	JN-MN 471651	012367	AVCO 415088!
007855523	LF-PT 471337	0098643	HYST 410737!	0106-9013LUP	JN-MN 450188	012367	AVCO 415088
00792762	ALLCH 6703S	0098732	HYST 417503	0106-9276LPD	JN-MN 471705!	012401	AVCO 473231!
0079385	HYST 415991	0098D3902	LF-PT 416332!	010615	VICK 470328	012404	AVCO 3893V!
0079385	HYST 415991!	0099973547	MERCE 710289	010615	VICK 481213!	012404	AVCO 415379!
0079389	HYST 416271!	0099978947	MERCE 710289	01061528	VICK 415442!	0125-10058LUP	JN-MN 471766!
00796BR	SABO 16X32X7	01-50140	LILIS 204027	01061528	VICK 55442	0125-10608SS	JN-MN 471737 =
0080-11924LPD	JN-MN 471231!	010-409-085E	AUDI 223010	01069363LPD	JN-MN 470606!	0125-10833SS	JN-MN 471413
00802975	ALLCH 471271!	010-409-085E	VW 223010	010756AB	CASE 415379	0125-10877SS	JN-MN 474278
0081-10403LPD	JN-MN 471231!	010-409-255	VW 1965	010816AB	CASE 418028	0125-11583SS	JN-MN 340356
0081-12406LPD	JN-MN 471645	010-409-255A	VW 1965	010816AB	CASE 455137!	0125-11982LUP	JN-MN 471818
0081-13438LPD	JN-MN 471686	010-409-529C	AUDI 1174	010817	CASE 418028	0125-13578LDS	JN-MN 471801!
0081-13647LPD	JN-MN 471729	010-409-529C	VW 1174	010817	CASE 455137!	0125-14904LDS	JN-MN 471766!
0081-15451LPD	JN-MN 471645	010-409-568	AUDI 3083	010817AB	CASE 418028	0125-5026LA	JN-MN 471766!
0081-5292SS	JN-MN 417539!	010-409-568	VW 3083	010817AB	CASE 455137!	0125-5164SS	JN-MN 471833 *
0081-7348LPD	JN-MN 474253	010-409-568A	VW 3083	010846AB	CASE 240731	0125-5389LUP	JN-MN 471413!
0081-9743LPD	JN-MN 471231!	0100-10615SS	JN-MN 471224	010876AB	CASE 473214	0125-5727LA	JN-MN 471766!
00815BR	SABO 22X42X10	0100-10749LPD	JN-MN 471649!	010889AB	CASE 415001!	0125-6328SS	JN-MN 470806 *
00825BR	SABO 22X42X10	0100-10751LUP	JN-MN 471224!	0109000	HYST 474276!	0125-8820LPD	JN-MN 471413!
00839BR	SABO 32X50X8	0100-10952LUP	JN-MN 471689!	0109224	HYST 471744!	0125-8924LPD	JN-MN 471833
0084-13062LPD	JN-MN 473413	0100-12489LUP	JN-MN 471270!	010983AB	CASE 471649!	0125-9180LPD	JN-MN 450177
0086-17420SS	JN-MN 22X32X7	0100-13458LUP	JN-MN 450593!	0109970947	MERCE 710289	0125-9273LPD	JN-MN 471737
0087-13581LPD	JN-MN 471137	0100-13673LPD	JN-MN 471689!	0109973347	MERCE 710289	012510053LPD	JN-MN 450165
0087-5118SS	JN-MN 254287 *	0100-14058LUP	JN-MN 471224!	0112-10406LUP	JN-MN 471763	012510053LPD	JN-MN 471801!
0087-5720LPD	JN-MN 471570!	0100-15668LUP	JN-MN 471649!	0112-10616SS	JN-MN 471692!	012511193LPD	JN-MN 471795
0087-5780SS	JN-MN 471570!	0100-16447LUP	JN-MN 471270!	0112-11834SS	JN-MN 472560N!	01255728LUP	JN-MN 471787!
0087-6133SS	JN-MN 471267!	0100-17694LDS	JN-MN 471224!	0112-17691LDS	JN-MN 471692!	01255729LUP	JN-MN 450165
0087-6158SS	JN-MN 240733	0100-5629LPD	JN-MN 471744!	0112-17701LUP	JN-MN 471785!	01255729LUP	JN-MN 471801!
0087-6499SS	JN-MN 450398	0100-5700SS	JN-MN 472311!	0112-5254SS	JN-MN 472560N!	0125663	HYST 473367
0087-6710SS	JN-MN 471646!	0100-5764SS	JN-MN 471733	0112-5298SS	JN-MN 470712!	0125689	HYST 417350!
0087-6988LPD	JN-MN 471267!	0100-5793SS	JN-MN 471689!	0112-5307SS	JN-MN 471652	012569	AVCO 450362
0087-8465LPD	JN-MN 470590	0100-5986LA	JN-MN 471689!	0112-5583LPD	JN-MN 471747!	012570	AVCO 472185!
0087-9415LPD	JN-MN 471267!	0100-6007LUP	JN-MN 471760	0112-7054LUP	JN-MN 470712!	0125710	HYST 471554!
0087-9975LPD	JN-MN 471646!	0100-6084LUP	JN-MN 471224!	0112-9065LUP	JN-MN 472954	012572	AVCO 473232
0087355	HYST 415995!	0100-6330LPD	JN-MN 471733	0112-9460LUP	JN-MN 471692!	012574	AVCO 472164!
0087382	HYST 416404!	0100-8442SS	JN-MN 471649!	0112-9558LUP	JN-MN 471763	01259028LUP	JN-MN 471750!
00875660LUP	JN-MN 450398	0100-8485LPD	JN-MN 471649!	0112-9625LUP	JN-MN 471652	01259423LPD	JN-MN 471795
00875660LUP	JN-MN 471267!	0100-8814LUP	JN-MN 471649!	0112-9714LPD	JN-MN 350974!	0126-15054LPD	JN-MN 3476
0087656	HYST 415449!	0100-8975LPD	JN-MN 471619!	0112-9789LUP	JN-MN 476838!	012617278LUP	JN-MN 223275
00878464LUP	JN-MN 471570!	0100-9520LUP	JN-MN 471760	0112-9848LUP	JN-MN 471652	012617278LUP	JN-MN 32X56X10!
0088035	HYST 470954!	0100-9900LUP	JN-MN 471760	0112-9848LUP	JN-MN 482208!	0126769	HYST 406275 =
0088176	HYST 415447	010010183LUP	JN-MN 450593!	01129650LPD	JN-MN 471785!	012751	AVCO 204008
0089307	HYST 417262!	01001CU	CASE 473473	011299	AVCO 470954!	012851	AVCO 472185!
0089970146	MERCE 223610	01002	WEBER 471267!	0115	GARLK 471579	012915491LPD	JN-MN 33X50X12!
0089970146	MERCE 710197!	010032AB	CASE 471504!	0115-5212LUP	JN-MN 471736	012943	AVCO 471854!
0089971146	MERCE 225875	01008D	CASE 471795	0116	GARLK 471579	0129499	HYST JV980 =
0089971146	MERCE 58X75X11!	01009859LUP	JN-MN 471224!	01160BR	SABO 65X80X8	012964	AVCO 471224
0093-10229LUP	JN-MN 471571	0101493	THIOK 472636!	011613200	EATON 415295	0129936	HYST 471835!
0093-5880LPD	JN-MN 450039 *	010187	AVCO 40494S	011641	AVCO 471870!	012997447	MERCE 712004
0093-6728LA	JN-MN 50419	010188	AVCO 471689	0118-10426LUP	JN-MN 471354!	0131-12210LPD	JN-MN 473422
0093-6800LPD	JN-MN 471647	010192	AVCO 470625!	0118-15129LPD	JN-MN 30X47X7	0131-12830LPD	JN-MN 473211!
0093-8928LPD	JN-MN 472951	010195	AVCO 473440!	0118-16465LDS	JN-MN 473205!	0131-14341LPD	JN-MN 472826!
0093-8928LPD	JN-MN 474252	0102602	HYST 455471	0118-17236LUP	JN-MN 223014	0131-6134LPD	JN-MN 473213!
0093-9186LUP	JN-MN 471647	0103-5132SS	JN-MN 481650	0118-18463LUP	JN-MN 473205!	0131-7109LA	JN-MN 40769S
00930838	ALLCH 417278	0103-6704SS	JN-MN 471076	0118-5204LPD	JN-MN 474256	0131-9630LPD	JN-MN 481834
00939219LPD	JN-MN 471255!	01038B	SABO 45X85X13	0118-6309SS	JN-MN 471354!	0133456	HYST 471737
0095226	CHRYSLER 471341!	010392	AVCO 471689!	0118-6474SS	JN-MN 30X62X7 *	0133523	HYST 455019!
0096-11316SS	JN-MN 451583!	01039LX	CASE 471270!	0118-7011LUP	JN-MN 474254	0134717	HYST 471231!
0096-11893LUP	JN-MN 450339	010409085	VW 223010	0118-9511LPD	JN-MN 472475	0137-10404LUP	JN-MN 473214
0096-5853LA	JN-MN 451583!	010409085	VW 30X42X7!	011810500LPD	JN-MN 474255	0137-10485LUP	JN-MN 472258!
0096-9744LUP	JN-MN 451583! *	010409085D	VW 223010	011810569LUP	JN-MN 474255	0137-10524LUP	JN-MN 470950!
00967612	ALLCH 472164!	010409085D	VW 30X42X7!	011810682LPD	JN-MN 471765!	0137-10524LUP	JN-MN 6241S
0097069	HYST 413246	010409529B	VW 1174	01183BR	SABO 75X105X13	0137-10753LUP	JN-MN 470774!
00977BR	SABO 60X82X12!	010409529B	VW 38X52X8.5!	01186162LUP	JN-MN 471765!	0137-10855LPD	JN-MN 472354!
0098-13044LPD	JN-MN 25X47X7	01040LX	CASE 470390	011892	AVCO 40568S	0137-11568LPD	JN-MN 472287!
0098-13994LPD	JN-MN 25X52X7!	0105-6424LA	JN-MN 473419	0119488	HYST 240698	0137-14854LPD	JN-MN 470774!
0098-5324SS	JN-MN 472324!	010547	AVCO 473010!	0119970647	MERCE 223005	0137-15099LUP	JN-MN 471192
0098-6755LPD	JN-MN 471688	010570AB	CASE 254287!	0119975147	MERCE 239134	0137-18799LUP	JN-MN 450516
0098-7116LUP	JN-MN 471224!	0106-14672LPD	JN-MN 471735	011V15BULK	NATL 011-V35BULK	0137-3740LPD	JN-MN 473214!
009814589SS	JN-MN 222510	0106-5723LUP	JN-MN 450342	012224	AVCO 472572!	0137-4000LDS	JN-MN 473214!

! Industrial Size/Type * Minor Width Difference

= The U.S. customer service number is 877-4-TIMKEN. The Canadian customer service numbers are 800-565-4927 (English) and 800-565-0438 (French-Canadian).

Mfr. No.	Name	Zero Duplication or Recommended Industrial	Mfr. No.	Name	Zero Duplication or Recommended Industrial	Mfr. No.	Name	Zero Duplication or Recommended Industrial	Mfr. No.	Name	Zero Duplication or Recommended Industrial
0137-5153SS	JN-MN	473214!	0150-9041LUP	JN-MN	473228	0162-6001LA	JN-MN	473231	0175-9947LUP	JN-MN	471141!
0137-5271SS	JN-MN	472258!	0150-9056LUP	JN-MN	451857	0162-6056LUP	JN-MN	473010!	0175-9955LUP	JN-MN	472179
0137-5644LUP	JN-MN	473215!	0150-9483LPD	JN-MN	473228!	0162-6419SS	JN-MN	473231!	01751BRG	SABO	712009
0137-5731LPD	JN-MN	470950!	0150-9831LPD	JN-MN	481163!	0162-6509LA	JN-MN	473232	0176-6234LA	JN-MN	6936S
0137-5731LPD	JN-MN	6241S	0150-9952LUP	JN-MN	473228	0162-7073LUP	JN-MN	473231	0176364	HYST	471138!
0137-5804SS	JN-MN	472258!	015000	AVCO	473227!	0162-7365LUP	JN-MN	473367!	0177-11499LUP	JN-MN	50266
0137-5830SS	JN-MN	471192	0150006	LILIS	200354	0162-7365LUP	JN-MN	473367	0177-18375LUP	JN-MN	1979
0137-5983LA	JN-MN	472287!	015001	AVCO	472394	0162-9636LUP	JN-MN	473232!	0177-18539LDS	JN-MN	1979
0137-60013LDS	JN-MN	473214!	0150030	HYST	410190	0162-9849LUP	JN-MN	473444	0177-6226LA	JN-MN	450285
0137-6369SS	JN-MN	323138!	015011100LPD	JN-MN	470059	016210405LPD	JN-MN	474274	017713066LPD	JN-MN	224570
0137-6506SS	JN-MN	471192 *	015011100LPD	JN-MN	470380!	01625BR SABO	27X42X10		017713066LPD	JN-MN	45X72X12!
0137-6528LA	JN-MN	470774!	015011172LPD	JN-MN	470059	016321	JOHND	471466!	017717392LUP	JN-MN	1012 *
0137-6786LA	JN-MN	450776!	015011172LPD	JN-MN	470380!	0163871	HYST	417487!	017717392LUP	JN-MN	1012N *
0137-8449SS	JN-MN	470950!	0150158	HYST	474281!	0163871	HYST	417487	017717392LUP	JN-MN	45X628X1*
0137-8449SS	JN-MN	6241S	0150194	HYST	415867	0163912	HYST	473459	0178-12678LPD	JN-MN	452742
0137-9080LUP	JN-MN	472354!	015077	AVCO	471224!	0164639	HYST	JV1166	0178345	HYST	415294!
0137-9394LUP	JN-MN	471835!	01507BR	SABO	24X42X10	01669BR	SABO	55X100X13	0179177	ALLCH	455655!
0137-9733LPD	JN-MN	471276	0152848	HYST	417480!	0167176	HYST	417602!	0179603	HYST	417545
0137174	HYST	417269!	0152863	HYST	416278	01672BR	SABO	10X22X7!	0179633	HYST	415962
01378831LPD	JN-MN	471192	0152883	HYST	416888!	0168-10054LUP	JN-MN	473234!	01796432	ALLCH	415023
0138120	HYST	472258!	015326	AVCO	471958	0168-10250LUP	JN-MN	473234	01797372	ALLCH	352541
0139852	HYST	340847	0153716	HYST	200885	0168-11015LPD	JN-MN	470086	01798BAG	SABO	58X85X13
0139971447	MERCE	712003	01551BR	SABO	35X58X10	0168-15767LDS	JN-MN	473234!	018-321-243	AUDI	224052
014-311-113	AUDI	222030	0155346	HYST	417343!	0168-16241LUP	JN-MN	473235!	018-321-243	VW	224052
014-311-113	VW	222030	0155361	HYST	JX1190	0168-16467LDS	JN-MN	473235!	01805977	ALLCH	415027 =
014-311-113F	VW	222030	01553BR	SABO	45X72X95	0168-5669LA	JN-MN	473234	0181-13922LDS	JN-MN	473450!
014-409-399B	AUDI	224052	0155402	HYST	J1111	0168-5690LUP	JN-MN	473445	0181-15020LPD	JN-MN	472020
014-409-399B	VW	224052	0155403	HYST	412920	0168-60023LDS	JN-MN	473235!	0181-5630LUP	JN-MN	473449!
014-409-399D	AUDI	224052	0155577	HYST	471538!	0168-60026LDS	JN-MN	473235!	0181-5988LA	JN-MN	450090
014-409-399D	VW	224052	0156-10190LPD	JN-MN	476510 =	0168-6122LUP	JN-MN	474265	0181-9168LPD	JN-MN	472070
01404086	ALLCH	470530!	0156-11514LPD	JN-MN	471827!	0168-7031LUP	JN-MN	474265	01814BRG	SABO	1965
0140471	HYST	415725!	0156-14019LUP	JN-MN	472299	0168-7048LPD	JN-MN	473233!	0181692	HYST	416921!
0141113	HYST	415725 =	0156-15198LPD	JN-MN	473229!	0168-8815LUP	JN-MN	473233!	0181737	HYST	471766!
0141149	HYST	417605	0156-15770LDS	JN-MN	473229!	0168-8861SS	JN-MN	473236!	0182614	HYST	471341!
0141671	HYST	417603!	0156-17486LUP	JN-MN	472299	0168-9395LUP	JN-MN	473236!	0184-8510LUP	JN-MN	473453
0143-12894SS	JN-MN	473244!	0156-3876LUP	JN-MN	473229!	0168-9935SS	JN-MN	473235!	018409399	VW	224520
0143-13554LUP	JN-MN	473016!	0156-5536LUP	JN-MN	473229	017-525-275B	AUDI	1217	018409399	VW	45X60X10!
0143-19084LDS	JN-MN	3395!	0156-5627LPD	JN-MN	470682	0171-5480LPD	JN-MN	50191	0184926	HYST	415138!
0143-19084LDS	JN-MN	352444	0156-6836LUP	JN-MN	472123	01721BRG	SABO	712009	0184947	HYST	416556!
0143-4050LPD	JN-MN	473225!	0156-9445LPD	JN-MN	471821!	01722N	CASE	415007	0184947	HYST	472157
0143-4850LPD	JN-MN	473016!	0156042	HYST	413247!	017304550001	JOY	415138!	0187-12407LPD	JN-MN	473238!
0143-5732LUP	JN-MN	473226	0156200	HYST	416229	017304550003	JOY	455576!	0187-12528LPD	JN-MN	472572!
0143-7047LA	JN-MN	473224!	0156205	HYST	471424!	01737BR	SABO	11X17X4	0187-14905LDS	JN-MN	472439
0143-7216LUP	JN-MN	473224!	0156220	HYST	415897	0174277	HYST	412473!	0187-16012LUP	JN-MN	473239!
0143-7346LPD	JN-MN	474264	0156223	HYST	415458!	01746B	SABO	20X42X10	0187-17670LDS	JN-MN	473238!
0143-9181LUP	JN-MN	3395!	0156234	HYST	416339	0175-10380LUP	JN-MN	472185!	0187-17793LUP	JN-MN	472439
0143-9181LUP	JN-MN	352444	01565542LPD	JN-MN	455655! *	0175-10617SS	JN-MN	40183S!	0187-5576SS	JN-MN	414045! *
0143-9454LPD	JN-MN	473225!	0157-11302LPD	JN-MN	482253	0175-11241LPD	JN-MN	473313	0187-5750LA	JN-MN	472572!
0143040	HYST	415498	0157-11498LPD	JN-MN	482253	0175-11518LPD	JN-MN	473237!	0187-5773LA	JN-MN	414045!
0145752	HYST	471267!	0157-14577LPD	JN-MN	224025	0175-11822SS	JN-MN	473237!	0187-5826LPD	JN-MN	472439
0145753	HYST	471224!	0157-17405LUP	JN-MN	224025	0175-12006LPD	JN-MN	470334!	0187-6727LA	JN-MN	473238
0146-10055LPD	JN-MN	470625!	0157884	HYST	417316!	0175-13852LDS	JN-MN	472179	0187-6936LPD	JN-MN	473238!
0146-11809LUP	JN-MN	450523	01589BR	SABO	33X52X6	0175-14621LDS	JN-MN	472185!	0187-8989LUP	JN-MN	450084!
0146-4193LUP	JN-MN	473439!	0159178	HYST	416130!	0175-14849LPD	JN-MN	472164!	0187-9189LPD	JN-MN	472572!
01464193LPD	JN-MN	473439!	0159295	HYST	45637S	0175-14975LPD	JN-MN	472164! *	0187-9190LPD	JN-MN	473240!
014848	AVCO	417082	0159572	HYST	416624!	0175-15557LUP	JN-MN	472164!	0187-9550LUP	JN-MN	472439
014911427LUP	JN-MN	480630!	016-409-399B	AUDI	224520	0175-16371LUP	JN-MN	471141!	0187-9694SS	JN-MN	473238!
01499643LPD	JN-MN	480630!	016-409-399B	VW	224520	0175-17757LDS	JN-MN	472179	018726154	CEW	1214
0150-10172LPD	JN-MN	470625!	0161003	LILIS	473236!	0175-18036LUP	JN-MN	471141!	018726154	CEW	1214N
0150-11272SS	JN-MN	340136	0161014	LILIS	473197	0175-18419LDS	JN-MN	471831!	01880BAGE	SABO	4564V
0150-11654LUP	JN-MN	481163!	016168500	EATON	410752	0175-19062LDS	JN-MN	472164!	0188856	HYST	415035
0150-12184LUP	JN-MN	5115	016170700	EATON	471224!	0175-4465LUP	JN-MN	472179	01899	SABO	2146
0150-12294LPD	JN-MN	473440!	016171000	EATON	471424!	0175-5597LUP	JN-MN	472185!	0189977947	MERCE	223005
0150-14618LDS	JN-MN	473228!	0162-10035LPD	JN-MN	473232!	0175-5772LUP	JN-MN	470334!	0191683SL	TRSCM	8059S
0150-15143LDS	JN-MN	474281!	0162-10060LPD	JN-MN	473010!	0175-5993SS	JN-MN	450400	01918N	CASE	450311
0150-5414LUP	JN-MN	410190	0162-12007LPD	JN-MN	473367!	0175-8461LUP	JN-MN	470088	0192239	HYST	JV933
0150-5619SS	JN-MN	473228! *	0162-12007LPD	JN-MN	473367	0175-8887LUP	JN-MN	473448	0192250	HYST	JV1215 =
0150-5696LUP	JN-MN	474281!	0162-13517LDS	JN-MN	473367	0175-9076LPD	JN-MN	471984	0193-10527LPD	JN-MN	473461!
0150-5734LUP	JN-MN	473440!	0162-17687LDS	JN-MN	473231!	0175-9077LPD	JN-MN	472185!	0193-10949LUP	JN-MN	473462
0150-5821SS	JN-MN	470625!	0162-17745LUP	JN-MN	481864	0175-9710LUP	JN-MN	470334!	0193-11535LPD	JN-MN	473460
0150-6679LUP	JN-MN	473227!	0162-3965LPD	JN-MN	473010!	0175-9799LPD	JN-MN	471504!	0193-13579LDS	JN-MN	473459
0150-7033LUP	JN-MN	470625!	0162-40043LDS	JN-MN	473231!	0175-9854LUP	JN-MN	472164!	0193-15634LDS	JN-MN	472394

! Industrial Size/Type * Minor Width Difference

= The U.S. customer service number is 877-4-TIMKEN. The Canadian customer service numbers are 800-565-4927 (English) and 800-565-0438 (French-Canadian).

NUMERICAL INTERCHANGE

OIL SEALS

0225-9218LPD – 0300-5961LUP

Mfr. No.	Name	Zero Duplication or Recommended Industrial	Mfr. No.	Name	Zero Duplication or Recommended Industrial	Mfr. No.	Name	Zero Duplication or Recommended Industrial	Mfr. No.	Name	Zero Duplication or Recommended Industrial
0225-9218LPD	JN-MN	473473	0250-5542LPD	JN-MN	455655!	02710201	EIMCO	470625!	0275067	HYST	474272
0225-9686LPD	JN-MN	412920!	0250-5598LUP	JN-MN	415001!	02711	INTDE	411394!	02752	CLAYE	210914
0225-9715LUP	JN-MN	415259!	0250-5744LUP	JN-MN	455079!	02712	INTDE	472636!	0276	INTDE	416865!
02264BRG SABO		710232	0250-6924LA	JN-MN	415001!	02713	INTDE	450104	0276603	HYST	417366!
02276798 ALLCH		472299=	0250-7027LA	JN-MN	415082	02713CK	CASE	480210!	0276983	HYST	413479
022818810LUP	JN-MN	225875*	0250-8496LPD	JN-MN	410496!	02714	INTDE	415449!	0277	INTDE	415645!
022818810LUP	JN-MN	58X75X11!*	0250-8497LUP	JN-MN	455655!	02715	INTDE	415302	0277	INTDE	455104
02284BD CASE		470625!	0250-8865LPD	JN-MN	415001!	02716	INTDE	415458!	0278	INTDE	415072
02288 SABO		3543	0250-9751LUP	JN-MN	471271!	02717	INTDE	417344!	0279	INTDE	472185!
0231-15065LUP	JN-MN	442874	0250-9790LUP	JN-MN	471271!	02718	INTDE	455151	0279522	HYST	470682
0231-16535LUP	JN-MN	472150	0250-9863LPD	JN-MN	416273!	02719	INTDE	417487	028011	BENDI	473228
0231-17817LUP	JN-MN	472150	02511BRAG SABO		712511	0272	INTDE	417356!	0281-11148LPD	JN-MN	417485
0231-9149LUP	JN-MN	411394!	02511BRAGF SABO		712511	0272	INTDE	455188	0281-11558LUP	JN-MN	455005
0231950 HYST		416288!	02512BRGE SABO		712512	02720401	EIMCO	472319	0281-18778LUP	JN-MN	475384*
0232220 HYST		471765!	02516BRGE SABO		710211	02720502	EIMCO	471271!	028293K	JOHND	6575S
0234-9750LUP	JN-MN	417480!	0255-14610LPD	JN-MN	65X90X10!	02721	INTDE	418028	0285-10528LPD	JN-MN	417344!
0234003 HYST		471281!	0255-17760LUP	JN-MN	65X85X10	02721	INTDE	455137!	0287-10004LPD	JN-MN	417344!
0234047 HYST		412119!	0255-18376LUP	JN-MN	65X100X10	02722	INTDE	415711	0287-10065LUP	JN-MN	415303!
023510 EVERS		JV933	0255-40039LDS	JN-MN	65X100X10*	02723	INTDE	415187	0287-10087LPD	JN-MN	416921!
0235430 HYST		417344!	0256-13768LUP	JN-MN	417481	027233	BL-KN	473215!	0287-10097LUP	JN-MN	417344!
0236-11453LPD	JN-MN	412119!	0256-6869LUP	JN-MN	415988	02724	INTDE	416137	0287-10165LPD	JN-MN	415303!
023614643LPD	JN-MN	226020	0256-9188LPD	JN-MN	415302	02725	INTDE	473467	0287-11780LUP	JN-MN	417158!
023614643LPD	JN-MN	60X80X8!	02572500 EL-WH		291099	02726	INTDE	416107!	0287-13553LPD	JN-MN	417344!
0236836 HYST		J1126	02585110V EATON		410102	02726	INTDE	455073	0287-17731LDS	JN-MN	415303!
0236939 EATON		474281!	0258511AM EATON		470625!	02728	INTDE	417548	0287-5956LA	JN-MN	455310
0237-11875LPD	JN-MN	413246	0258511BF EATON		471504!	02729	INTDE	416666	0287-6042SS	JN-MN	415303!
0237-13315LDS	JN-MN	416271!	0258511BR EATON		416556!	0273	INTDE	415196!	0287-9488LUP	JN-MN	416921!
0237-15457LPD	JN-MN	412861	0258511BR EATON		472157	02730301	EIMCO	415035!	0287-9876LPD	JN-MN	417344!
0237-16536LUP	JN-MN	410825	0258511BV EATON		415074	02730301	EIMCO	415035	0287-9918LPD	JN-MN	417134
0237-40042LDS	JN-MN	416271!	0258511RR EATON		472397!	02730501	EIMCO	418028	0289796	HYST	J1136
0237-5931LUP	JN-MN	416071*	0259805 HYST		J1117	02730501	EIMCO	455137!	029-105-245	PORSC	227530
0237-6071LA	JN-MN	412119!	026-103-051A AUDI		716102	02731	INTDE	417316!	029-105-245	VW	227530
0237-6879LA	JN-MN	473475	026-103-085D AUDI		3476	02732	INTDE	417343!	029-105-245A	PORSC	227530
0237-9144LPD	JN-MN	413247!	026-103-085D VW		3476	02733	INTDE	473412	029-105-245A	VW	227530
0237-9319LUP	JN-MN	416271!	026-103-085J AUDI		3476	02734	INTDE	472234	0293-11308LPD	JN-MN	417159
0237-9409LUP	JN-MN	413247!	0260666 HYST		416892!	02735	INTDE	473239	0293-13954LPD	JN-MN	417486
0237-9546LUP	JN-MN	470565!	026103051A VW		716102	02736	INTDE	415991	0293-4183LPD	JN-MN	416500
02373BRG SABO		13X26X7	026103051A VW		85X105X10!	02736	INTDE	455146!	0293-5770LUP	JN-MN	416654!
0240912 HYST		415138!	0262-10050LUP	JN-MN	415458!	02737	INTDE	417356!	0293-6041LA	JN-MN	416654!
0240913 HYST		415363=	0262-10910LPD	JN-MN	415483!	02737	INTDE	455188	0293-6108LUP	JN-MN	416956
0240913 HYST		417362!	0262-11017LUP	JN-MN	415483	02738	INTDE	415045!	0293-9543LPD	JN-MN	416654!
0243-10329LPD	JN-MN	476272=	0262-11833LPD	JN-MN	417079	0274	INTDE	416888!	0293-9707LPD	JN-MN	455356
0243-11143LUP	JN-MN	411245!	0262-13858LDS	JN-MN	415483	02740501	EIMCO	415683	0293-9815LPD	JN-MN	416654!
0243-11660LPD	JN-MN	412040	0262-14831LDS	JN-MN	415007	0275-10044LPD	JN-MN	416706!	029315174LPD	JN-MN	416500!
0243-6432LUP	JN-MN	417073	0262-16636LUP	JN-MN	415483	0275-10304LPD	JN-MN	415960	0295-13979SSW	JN-MN	200322
0243-9171LUP	JN-MN	471887*	0262-18914LUP	JN-MN	412871!	0275-10364LPD	JN-MN	416664!	029515089LPD	JN-MN	227550
0243-9374LUP	JN-MN	417073	0262-4220LPD	JN-MN	415458!	0275-10635LDS	JN-MN	416664!	029515089LPD	JN-MN	75X100X12!
0243-9825LUP	JN-MN	450104	0262-4840LA	JN-MN	417082	0275-10761LPD	JN-MN	417316!	029563	ALLCH	417181!
0244-10120LUP	JN-MN	412040	0262-5745LUP	JN-MN	417343!	0275-11420SS	JN-MN	417484!	0296-9399LPD	JN-MN	417349
02449619 ALLCH		473215!	0262-6235LPD	JN-MN	417343!	0275-11894LPD	JN-MN	416664!	0296842	HYST	415234!
02449BRG SABO		712449	0262-6883LA	JN-MN	413248	0275-12494LPD	JN-MN	415984!	0299-9998LPD	JN-MN	415995!
02449BRGF SABO		712449	0262-7110LUP	JN-MN	415458!	0275-12725LPD	JN-MN	480491*	029HH100	DANA	710006*
02451BRG SABO		75X90X10	0262-8468LUP	JN-MN	410708*	0275-14042LPD	JN-MN	416664!	02A301189	VW	710147
0246-12675LPD	JN-MN	50560*	0262-8505LPD	JN-MN	415007	0275-14694LPD	JN-MN	70X100X13	02RM11604004	TROS	471255!
02469260 ALLCH		472258	0262-9452LPD	JN-MN	412871!	0275-14781LDS	JN-MN	416664!	03-01340	KEN	5M466
0248630 HYST		472015!	02629056LUP	JN-MN	451857	0275-16242LDS	JN-MN	417316!	03-02760	KEN	411253!
025-105-249	AUDI	224835	0264589 HYST		417181!	0275-16658SS	JN-MN	416664!*	03-02840	KEN	370036A
025-105-249	VW	224835	0265383 HYST		41461S	0275-5613LPD	JN-MN	415960	0300-10249LPD	JN-MN	417351!
025-105-249A	AUDI	224835	0265659 HYST		JV1304	0275-6140LA	JN-MN	417316!	0300-11074LUP	JN-MN	415995!
025-105-249A	VW	224835	02662BR SABO		228009	0275-6257LPD	JN-MN	417316!	0300-11074LUP	JN-MN	415995!
0250-10036LPD	JN-MN	455079!	0266728 HYST		200912* =	0275-7128LUP	JN-MN	417316!	0300-11830LUP	JN-MN	417487
0250-10121LUP	JN-MN	415449!	0267538 HYST		415447	0275-8436LUP	JN-MN	476281*	0300-11830LUP	JN-MN	417487!
0250-10184LUP	JN-MN	472029	02685BR SABO		60X90X8	0275-8470LUP	JN-MN	417484!	0300-13414LUP	JN-MN	417349!
0250-10208LUP	JN-MN	415449!	0268911 HYST		417541	0275-8857LPD	JN-MN	416282	0300-13804LPD	JN-MN	453182
0250-10345LPD	JN-MN	410496!	027021808 WHITE		370001A	0275-9732LUP	JN-MN	417316!	0300-15153LPD	JN-MN	417350!
0250-10619SS	JN-MN	415449!	0270501 EIMCO		473016!	027050101	EIMCO	472234	0300-15091LDS	JN-MN	415995!
0250-10797LUP	JN-MN	470605!	02707-4962 WHITE		370003A	02705102	EIMCO	471750!	0300-15910LDS	JN-MN	415995!
0250-11167LPD	JN-MN	415001!	027089859 WHITE		412473	02705200	EIMCO	415958	0300-16743LPD	JN-MN	453182*
0250-14620LDS	JN-MN	415449!	0271 INTDE		415379	02705200	EIMCO	415958!	0300-4360LPD	JN-MN	415088
0250-15566LDS	JN-MN	471271!	0271 INTDE		415379!	02705301	EIMCO	476838!	0300-5104LPD	JN-MN	415995!
0250-16933LUP	JN-MN	415449!	02710 INTDE		472439	02705302	EIMCO	471887	0300-5104LPD	JN-MN	415995!
0250-18720LUP	JN-MN	472029	02710101	EIMCO	473243	02705502	EATON	471887	0300-5961LUP	JN-MN	417349!

! Industrial Size/Type * Minor Width Difference

= The U.S. customer service number is 877-4-TIMKEN. The Canadian customer service numbers are 800-565-4927 (English) and 800-565-0438 (French-Canadian).

NUMERICAL INTERCHANGE

Zero Duplication or Recommended Industrial		Zero Duplication or Recommended Industrial		Zero Duplication or Recommended Industrial		Zero Duplication or Recommended Industrial	
Mfr. No.	Name	Mfr. No.	Name	Mfr. No.	Name	Mfr. No.	Name
0300-6073LUP	JN-MN	032092	ROSS	0350-11197LUP	JN-MN	037511040LPD	JN-MN
0300-6423LUP	JN-MN	032110	ROSS	0350-11197LUP	JN-MN	037675	ALLCH
0300-8506LPD	JN-MN	032151	ROSS	0350-12565LDS	JN-MN	037676	ALLCH
0300-9004LPD	JN-MN	032164	ROSS	0350-12565LDS	JN-MN	0381-12156LUP	JN-MN
0300-9045LUP	JN-MN	032165	ROSS	0350-15810LUP	JN-MN	0381-16544LUP	JN-MN
0300-9182LUP	JN-MN	032166	ROSS	0350-16542LUP	JN-MN	0381-7014LA	JN-MN
0300-9343SS	JN-MN	032167	ROSS	0350-17475LDS	JN-MN	0381-9762LUP	JN-MN
0300-9368LPD	JN-MN	032176	ROSS	0350-17593LDS	JN-MN	03820197	CHRY
03004940LA	JN-MN	032264	ROSS	0350-17779LDS	JN-MN	03866AB	CASE
0302076	FORD	032341	ALLCH	0350-4941LUP	JN-MN	03868AB	CASE
030326	ALLCH	032347	ALLCH	0350-4941LUP	JN-MN	0387-11177LPD	JN-MN
030327	ALLCH	032378	ROSS	0350-6301LA	JN-MN	0387-12409LPD	JN-MN
030504	ALLCH	032496000	EATON	0350-6327LA	JN-MN	0387-12409LPD	JN-MN
030586	ALLCH	0325-10100LUP	JN-MN	0350-6871LUP	JN-MN	0387-12654LPD	JN-MN
0306-10960LPD	JN-MN	0325-10272LPD	JN-MN	0350-7325LUP	JN-MN	0387-15641LPD	JN-MN
0306-5825LUP	JN-MN	0325-10305LUP	JN-MN	0350-8501LPD	JN-MN	0387-16269LDS	JN-MN
03061CH	CASE	0325-10305LUP	JN-MN	0350-8821LPD	JN-MN	0387-16545LUP	JN-MN
03061VM	TRSCM	0325-11121LPD	JN-MN	0350-8821LPD	JN-MN	0387-16546LUP	JN-MN
030639200	EATON	0325-11497LPD	JN-MN	0350-8999LPD	JN-MN	0387-6218LUP	JN-MN
03072SB	TRSCM	0325-13075LUP	JN-MN	0350-9410LUP	JN-MN	0387-6218LUP	JN-MN
03072SC	TRSCM	0325-13241LDS	JN-MN	0350-9410LUP	JN-MN	0387-9764LUP	JN-MN
03072SM	TRSCM	0325-14271LPD	JN-MN	0350-9422LUP	JN-MN	03873AB	CASE
03082SZ	TRSCM	0325-16539LUP	JN-MN	0350-9422LUP	JN-MN	03896N	CASE
03082TB	TRSCM	0325-16540LUP	JN-MN	0350-9752LUP	JN-MN	03899AB	CASE
03092SB	TRSCM	0325-17972LDS	JN-MN	0350-9752LUP	JN-MN	0390003	BE-AR
031061SC	TRSCM	0325-18099LUP	JN-MN	03511008	SPICE	0390025	BE-AR
031072VTBY	TRSCM	0325-5027LUP	JN-MN	0354-13160LPD	JN-MN	0390059	BE-AR
031092TCN	TRSCM	0325-6145LA	JN-MN	0356-16543LUP	JN-MN	0390061	BE-AR
031101529	WHITE	0325-7190LUP	JN-MN	0356-9892LUP	JN-MN	0390086	BE-AR
031163	ALLCH	0325-8483LPD	JN-MN	0360CU	CASE	0390088	BE-AR
031164	ALLCH	0325-8845SS	JN-MN	0361017	LILIS	0390090	BE-AR
0312-10142LPD	JN-MN	0325-8945LUP	JN-MN	0362-11198LUP	JN-MN	0390106	HYST
0312-11685LPD	JN-MN	0325-9547LPD	JN-MN	0362-12159LPD	JN-MN	0390119	BE-AR
0312-13518LDS	JN-MN	03271N	CASE	0362-12677LDS	JN-MN	0393-11669LPD	JN-MN
0312-6814LA	JN-MN	0327535-1	ALLCH	0362-12718LPD	JN-MN	0393-12357LDS	JN-MN
0312-8509LUP	JN-MN	032784	ALLCH	0362-15724LUP	JN-MN	0393-5910LPD	JN-MN
0312-9092LPD	JN-MN	032785	ALLCH	0362-20032LUP	JN-MN	0393-6072LUP	JN-MN
03123112	AU-LI	032995	SPG	0362-5140SS	JN-MN	0393-8503LPD	JN-MN
03125011LUP	JN-MN	0330779	HYST	0362-8438LPD	JN-MN	0393-8504LUP	JN-MN
0313-9523LPD	JN-MN	033081	ALLCH	0362-9587LPD	JN-MN	0393-9402LUP	JN-MN
0314-14644LPD	JN-MN	0331-10963LPD	JN-MN	036727F	SPERY	0397-10950LPD	JN-MN
0315-16432LUP	JN-MN	0331-11523LPD	JN-MN	0368-15929LUP	JN-MN	04-9012430	WHITE
0318-7227LUP	JN-MN	0331-11523LPD	JN-MN	0368-18532LUP	JN-MN	04-9023110	WHITE
0318-8838LPD	JN-MN	0331-12253LPD	JN-MN	0368-6808LA	JN-MN	04-9038204	WHITE
0318-9193LUP	JN-MN	0331-14237LPD	JN-MN	0368-8502LUP	JN-MN	04-BR50-400-300-7CW	TROS
0318-9542LPD	JN-MN	0331-15676LUP	JN-MN	037051VC	TRSCM	0400-10285LPD	JN-MN
032040	ROSS	0331-9591LPD	JN-MN	0370932	BE-AR	0400-10384LPD	JN-MN
032046	ROSS	033146	ALLCH	0371-9729LUP	JN-MN	0400-11119LPD	JN-MN
032048	ROSS	033512	PETTI	0371-9729LUP	JN-MN	0400-11119LPD	JN-MN
032049	ROSS	0337-10164LUP	JN-MN	03717CS	CASE	0400-11500LPD	JN-MN
032052	GMC	0337-11557LUP	JN-MN	0372CK	CASE	0400-11635LPD	JN-MN
032052	ROSS	0337-16541LUP	JN-MN	0374295	BE-AR	0400-11635LPD	JN-MN
032054	ROSS	0337-4463LUP	JN-MN	0375-10057LUP	JN-MN	0400-13292LPD	JN-MN
032062	ROSS	0337-8841LUP	JN-MN	0375-10057LUP	JN-MN	0400-14959LPD	JN-MN
032062	ROSS	0337-8841LUP	JN-MN	0375-10846SS	JN-MN	0400-15141LDS	JN-MN
032064	ROSS	0337-9042LUP	JN-MN	0375-10859LPD	JN-MN	0400-16751LUP	JN-MN
032065	ROSS	0337-9042LUP	JN-MN	0375-10859LPD	JN-MN	0400-4784LPD	JN-MN
032068	CASE	0337-9205LUP	JN-MN	0375-12115LPD	JN-MN	0400-5489LPD	JN-MN
032068	ROSS	03378842LPD	JN-MN	0375-12115LPD	JN-MN	0400-5489LPD	JN-MN
032069	ROSS	03378842LPD	JN-MN	0375-13770LUP	JN-MN	0400-60003LDS	JN-MN
032073	ROSS	034-105-147A	VW	0375-14443LDS	JN-MN	0400-6146LUP	JN-MN
032074	ROSS	034-115-147A	AUDI	0375-14443LDS	JN-MN	0400-6146LUP	JN-MN
032075	ROSS	0343-10129LPD	JN-MN	0375-17199LDS	JN-MN	0400-7130LA	JN-MN
032076	FORD	0343-10948LUP	JN-MN	0375-17199LDS	JN-MN	0400-7195LUP	JN-MN
032076	ROSS	0343-6040LUP	JN-MN	0375-40001LDS	JN-MN	0400-7199LUP	JN-MN
032077	ROSS	0343-9512LUP	JN-MN	0375-40001LDS	JN-MN	0400-7199LUP	JN-MN
032078	KEN	034631	CATER	0375-6294LA	JN-MN	0400-9143LUP	JN-MN
032078	ROSS	034697	ALLCH	0375-6294LA	JN-MN	0400-9151LPD	JN-MN
032079	ROSS	0350-10019LPD	JN-MN	0375-6872LPD	JN-MN	0400-9342SS	JN-MN
032081	ROSS	0350-10110LUP	JN-MN	0375-6872LPD	JN-MN	0400-9663LPD	JN-MN
032082	ROSS	0350-10306LUP	JN-MN	0375-7146LUP	JN-MN	0400-9705LPD	JN-MN
032085	ROSS	0350-10773LPD	JN-MN	0375-7146LUP	JN-MN	0400-9866LUP	JN-MN

! Industrial Size/Type *Minor Width Difference

= The U.S. customer service number is 877-4-TIMKEN. The Canadian customer service numbers are 800-565-4927 (English) and 800-565-0438 (French-Canadian).

OIL SEALS

0400-9866LUP – 051810

Mfr. No.	Name	Zero Duplication or Recommended Industrial	Mfr. No.	Name	Zero Duplication or Recommended Industrial	Mfr. No.	Name	Zero Duplication or Recommended Industrial	Mfr. No.	Name	Zero Duplication or Recommended Industrial
0400-9866LUP	JN-MN	415035!	0437-8875LUP	JN-MN	415196!	0475-11226LPD	JN-MN	417538	0493-8801LPD	JN-MN	417539!
04002002.5	TROS	240698	0437-9418LPD	JN-MN	415425	0475-11804LPD	JN-MN	415066	0493-9159LPD	JN-MN	417273
040211	ALLCH	474281!	0437-9590LPD	JN-MN	415060	0475-6085LPD	JN-MN	415066	0493-9400LPD	JN-MN	417273
040302	ALLCH	471442!	0437-9590LPD	JN-MN	455060	0475-6935LPD	JN-MN	417247!	0493-9600LPD	JN-MN	417273
04032AB	CASE	415035	04381AB	CASE	471567!	0475-7107LA	JN-MN	415066	04933AB	CASE	450474
04032AB	CASE	415035!	043838	GEHL	470088	0475-9820LPD	JN-MN	415138!	049453	ALLCH	417357
04041AB	CASE	415001!	043839	GEHL	471192	0475-9963LPD	JN-MN	415138!	049453	ALLCH	455192!
04045AB	CASE	415458!	04384188	CHRY	9316	047852	GEHL	471818	049489	ALLCH	473214!
04047	CASE	473467!	04399	JAC	481537	04801604	TROS	350435	049490	ALLCH	471224!
04048AB	CASE	472185!	04399A	JAC	481537	04802004	TROS	350364	049521	ALLCH	471785!
0406-15574LUP	JN-MN	455037	04402005	TROS	50883=	04802404	TROS	330385!	049522	ALLCH	473436
04061VC	TRSCM	343101	04402402.5	TROS	311189	04803202	TROS	430955!	049629	ALLCH	471224!
04081VM	TRSCM	474279N	04403201.5	TROS	342805	0481-11060LPD	JN-MN	456890	04981	JAC	471652
04082SM	TRSCM	240470	04403202	TROS	342805	048115147	PORSC	710331	05-03700	KEN	471141!
04082SM	TRSCM	472810!	044208	GEHL	412920!	0486060	FORD	450188	0500-10201LPD	JN-MN	416865!
040832	EVERS	411253!	0443-10332LPD	JN-MN	55199=	0486073	FORD	470954	0500-12367LPD	JN-MN	417543
04092VB	TRSCM	6863S!	0443-8460LUP	JN-MN	55199=	0486080	FORD	415449!	0500-16740LDS	JN-MN	415725!
04093SB	TRSCM	6863S!	0443-8825LUP	JN-MN	417525	0486325	FORD	472560N!	0500-17959LDS	JN-MN	416865!
04104	JAC	471554!	044594	HESST	472193!	0486452	FORD	55386	0500-18134LDS	JN-MN	416865!
04112SL	TRSCM	474277	044741	ALLCH	471763	048689	ALLCH	471141!	0500-5907LPD	JN-MN	416865!
0412-10382LPD	JN-MN	415142	044800	HESST	471765!	048692	ALLCH	471766!	0500-6325LUP	JN-MN	416865!
0412-11120LPD	JN-MN	415043	044818	HESST	471760	0487-15067LUP	JN-MN	416167!	0500-6671LUP	JN-MN	417541
0412-11194LPD	JN-MN	415142	044852	ALLCH	417316!	0487-15801LDS	JN-MN	416167!	0500-8956LPD	JN-MN	415742
0412-11739LPD	JN-MN	415142	044859	GEHL	472015!	0487-7234LPD	JN-MN	417269!	0500-9044LUP	JN-MN	417541
0412-11790LUP	JN-MN	417511	0450-11709LUP	JN-MN	416892!	0487-8925LPD	JN-MN	417267	0500-9530LUP	JN-MN	415725!
0412-14444LDS	JN-MN	415142	0450-11832LUP	JN-MN	416153!	0487-9797LPD	JN-MN	417269!	0500-9629LUP	JN-MN	415725!
0412-17228LUP	JN-MN	455134!	0450-13172LDS	JN-MN	416888!	0487014	FORD	471224!	05009	NAK	25X48X8
0412-20013LPD	JN-MN	415043	0450-18396LUP	JN-MN	416154!	048703	ALLCH	415449!	05009530LPD	JN-MN	415725!
0412-6582LUP	JN-MN	417512	0450-4519LUP	JN-MN	416888!	0487052	FORD	415035!	05015CS	CASE	472560N
0412-9649LPD	JN-MN	415142	0450-5991LUP	JN-MN	417532	0487052	FORD	415035	050320	WHITE	473475
041516	ALLCH	471570!	0450-6538LPD	JN-MN	416154!	0487066	FORD	471103!	050368100	EATON	240319
041798	ALLCH	415187	0450-7145LPD	JN-MN	416892!	0487067	FORD	45187S	0504-7489	GM	417520
0418-11517LPD	JN-MN	455625=	0450-7191LPD	JN-MN	416892!	0487068	FORD	471442!	050441	ALLCH	471267!
0418-11643LPD	JN-MN	417516	0450-7360LPD	JN-MN	415351!	0487073	FORD	416865!	050443	ALLCH	415449!
0418-12122LPD	JN-MN	455194	0450-9170LUP	JN-MN	416888!	0487086	FORD	471281!	0506-5148LPD	JN-MN	455290*
0418-16547LUP	JN-MN	417515	0450-9425SS	JN-MN	416892!*	0487088	FORD	471466!	05071VB	TRSCM	340847!
0418-18564LPD	JN-MN	417513	0450-9664LUP	JN-MN	416154!	0487095	FORD	417020	05071VB	TRSCM	8792S
0418-6263LA	JN-MN	415295	04504168LUP	JN-MN	327303!	0487108	FORD	471551!	05081VC	TRSCM	342613!
0418-8808LUP	JN-MN	417513	04506100LPD	JN-MN	416153!	0487134	FORD	471570!	050821VAY	TRSCM	330699
0418-9800LPD	JN-MN	455194	0452-16926LPD	JN-MN	115X140X12	0487142	FORD	471651	05082SZ	TRSCM	330699!
042024	ALLCH	472015!	0456-15070LPD	JN-MN	417533	0487162	FORD	476838!	05082TB	TRSCM	330699!
04240AB	CASE	472287!	0456-16816LUP	JN-MN	417533	048717	ALLCH	471762!	05082VAY	TRSCM	340771
04243AB	CASE	471554!	0461006	LILIS	204035	0487176	FORD	473426	05082VB	TRSCM	342613!
04244AB	CASE	471466!	04612AB	CASE	470530!	048718	ALLCH	472826!	05086AB	CASE	471224!
0425-10073LPD	JN-MN	416556!	0461CS	CASE	450311	0487188	FORD	471766!	05092TB	TRSCM	471442
0425-10073LPD	JN-MN	472157	0462-10132LPD	JN-MN	415371	048719	ALLCH	473436	05092TB	TRSCM	471442
0425-10334LPD	JN-MN	416891!	0462-10154LUP	JN-MN	456641*	0487196	FORD	471354!	0511-15033LPD	JN-MN	130X160X12
0425-11140SS	JN-MN	416556!	0462-11368LUP	JN-MN	416156	048720	ALLCH	471785!	0511-18529LUP	JN-MN	130X160X12
0425-11140SS	JN-MN	472157	0462-13173LDS	JN-MN	416156	048720	FORD	471554!	05112TB	TRSCM	471526!
0425-11758LUP	JN-MN	55333=	0462-16605LUP	JN-MN	456641	0487234	FORD	455136	05113SA	TRSCM	471281!
0425-13772LPD	JN-MN	415058	0462-5193LPD	JN-MN	416156*	048726	ALLCH	471646!	051145	ALLCH	471205!
0425-15628LDS	JN-MN	416891!	0462-5594LUP	JN-MN	415371	0487296	FORD	470625!	05115	JAC	450557
0425-16598LUP	JN-MN	416135!	0462-6677LA	JN-MN	455685	048730	ALLCH	473228	05115	JAC	471255!
0425-7040LUP	JN-MN	472157!	0462-8811LUP	JN-MN	415064	0487302	FORD	470059	051154200	EATON	415064
0425-7040LUP	JN-MN	472157	0462-9361LPD	JN-MN	416158	0487302	FORD	470380!	0512-10017LPD	JN-MN	417546!
0425-7187LUP	JN-MN	472157!	0467SC	CASE	240735	048731	ALLCH	471689!	0512-13595LDS	JN-MN	417546!
0425-7187LUP	JN-MN	472157	0468-12861LPD	JN-MN	415284	0487310	FORD	471820	0512-7335LPD	JN-MN	417547
0425-8809LPD	JN-MN	415045!	0468-6743LA	JN-MN	417536	0487336	FORD	472439	051206	GEHL	471766
0425-8810LUP	JN-MN	416137	0468-8478LPD	JN-MN	415284	0487340	FORD	474265	05122SB	TRSCM	471472!
0425-8946LPD	JN-MN	416891!	0468-8900LPD	JN-MN	415284	0487372	FORD	472144!	05122SB	TRSCM	5133
0425-9930LUP	JN-MN	415196!	0468SC	CASE	240735	0487374	FORD	450084!	05122TC	TRSCM	471472
04253AB1	CASE	417492	047046	ALLCH	472394	0487398	FORD	412119!	05132SB	TRSCM	471549!
0431-16548LUP	JN-MN	455197N	047047	ALLCH	473228	0487402	FORD	416444	05134TA	TRSCM	471551!
0431-7192LPD	JN-MN	417520	0472-15209LUP	JN-MN	120X160X12	0487414	FORD	415001!	051461	ALLCH	476470!
0431-9545LPD	JN-MN	417238	047275	ALLCH	417316!	0487422	FORD	417316!	051461	ALLCH	476470
0433-16433LUP	JN-MN	110X130X12	04736	JAC	450398	0487440	FORD	412473!	051461	SPICE	476470!
043569	ALLCH	470950!	04736	JAC	471267!	0487450	FORD	416332!	051461	SPICE	476470
043569	ALLCH	6241S	04741908	CHRY	713103	0487494	FORD	415138!	05152B	CASE	340413
043570	ALLCH	450273	047436	ALLCH	476470!	0487514	FORD	417273	051568	ALLCH	471224
0437-10470LPD	JN-MN	415047	047436	ALLCH	476470	04897297AA	CHRY	713103	0518-7336LPD	JN-MN	417548
0437-10482LPD	JN-MN	415047	04746772	CHRY	5778V	0493-12773LPD	JN-MN	417539!	0518-8826LPD	JN-MN	417548
0437-19127LDS	JN-MN	416147	0475-10841LPD	JN-MN	455375=	0493-7144LPD	JN-MN	417539!	051810	VICK	350364

! Industrial Size/Type * Minor Width Difference

= The U.S. customer service number is 877-4-TIMKEN. The Canadian customer service numbers are 800-565-4927 (English) and 800-565-0438 (French-Canadian).

NUMERICAL INTERCHANGE

Zero Duplication or Recommended Industrial		Zero Duplication or Recommended Industrial		Zero Duplication or Recommended Industrial		Zero Duplication or Recommended Industrial					
Mfr. No.	Name	Mfr. No.	Name	Mfr. No.	Name	Mfr. No.	Name				
051815	VICK	330385!	052-2284	BE-AR	1952	052-3201	BE-AR	331227H	052-3306	BE-AR	223018
051825	VICK	472810!	052-2334	BE-AR	472439 *	052-3202	BE-AR	3394	052-3308	BE-AR	1174
051835	VICK	471472!	052-2359	BE-AR	3698	052-3204	BE-AR	3945	052-3309	BE-AR	225875
051840	VICK	471535!	052-2359	BE-AR	BS40382	052-3205	BE-AR	473573	052-3310	BE-AR	225650 *
051850	VICK	471538!	052-2367	BE-AR	1950	052-3208	BE-AR	473258	052-3311	BE-AR	224220
051860	VICK	471267!	052-2391	BE-AR	228005	052-3210	BE-AR	228005	052-3312	BE-AR	222510
05187AB	CASE	471570!	052-2433	BE-AR	1992	052-3212	BE-AR	223540	052-3315	BE-AR	225650
05187AB-D	CASE	471570!	052-2441	BE-AR	473823	052-3214	BE-AR	228010	052-3316	BE-AR	228009
052-0056	BE-AR	1196	052-2466	BE-AR	1949	052-3214	BE-AR	BS40252	052-3318	BE-AR	224400
052-0072	BE-AR	227235	052-2474	BE-AR	473812	052-3215	BE-AR	229005	052-3321	BE-AR	225530
052-0098	BE-AR	1192	052-2482	BE-AR	473179!	052-3215	BE-AR	229006	052-3323	BE-AR	229005
052-0122	BE-AR	1996	052-2508	BE-AR	228020	052-3218	BE-AR	229005	052-3324	BE-AR	223012
052-0148	BE-AR	473238!	052-2524	BE-AR	1128	052-3218	BE-AR	BS16144	052-3324	BE-AR	TCS45724
052-0155	BE-AR	482126	052-2649	BE-AR	1999	052-3221	BE-AR	1906	052-3328	BE-AR	710097
052-0189	BE-AR	1110	052-2664	BE-AR	1959	052-3222	BE-AR	3772	052-3329	BE-AR	710331
052-0197	BE-AR	1110	052-2680	BE-AR	226285	052-3223	BE-AR	473454	052-3330	BE-AR	710332
052-0205	BE-AR	471224!	052-2680	BE-AR	62X85X8!	052-3224	BE-AR	227410	052-3331	BE-AR	320595
052-0221	BE-AR	239128	052-2706	BE-AR	1959	052-3224	BE-AR	BS40268	052-3332	BE-AR	228015
052-0239	BE-AR	5778	052-2714	BE-AR	710331	052-3225	BE-AR	1990	052-3333	BE-AR	710215
052-0270	BE-AR	470487!	052-2722	BE-AR	1108	052-3227	BE-AR	334111	052-3335	BE-AR	5700
052-0288	BE-AR	239127	052-2748	BE-AR	473367	052-3228	BE-AR	228410	052-3336	BE-AR	225650
052-0296	BE-AR	473454	052-2763	BE-AR	710315	052-3229	BE-AR	223602	052-3337	BE-AR	716102
052-0312	BE-AR	473454	052-2771	BE-AR	223580	052-3230	BE-AR	228010	052-3338	BE-AR	710072
052-0346	BE-AR	471224!	052-2789	BE-AR	1981	052-3231	BE-AR	1986	052-3340	BE-AR	224772
052-0379	BE-AR	9161	052-2797	BE-AR	227409	052-3232	BE-AR	222540	052-3341	BE-AR	1937
052-0403	BE-AR	224320	052-2813	BE-AR	1147	052-3234	BE-AR	224835	052-3343	BE-AR	1180
052-0437	BE-AR	1192	052-2854	BE-AR	1960	052-3235	BE-AR	224460	052-3344	BE-AR	710092
052-0460	BE-AR	472397!	052-2862	BE-AR	223535	052-3236	BE-AR	474161	052-3345	BE-AR	1948
052-0478	BE-AR	472164!	052-2870	BE-AR	224100	052-3239	BE-AR	481826	052-3346	BE-AR	222630
052-0593	BE-AR	473238!	052-2888	BE-AR	474134	052-3239	BE-AR	4989	052-3347	BE-AR	224254
052-0593	BE-AR	9912	052-2896	BE-AR	227230	052-3241	BE-AR	474134	052-3348	BE-AR	710098
052-0627	BE-AR	1873	052-2904	BE-AR	494122	052-3242	BE-AR	1126	052-3349	BE-AR	225225
052-0635	BE-AR	473228!	052-2946	BE-AR	1126	052-3243	BE-AR	224026	052-3350	BE-AR	710148
052-0643	BE-AR	239129	052-2961	BE-AR	482126	052-3244	BE-AR	225650	052-3351	BE-AR	473677
052-0676	BE-AR	473234!	052-3001	BE-AR	1176	052-3245	BE-AR	1985	052-3352	BE-AR	1975
052-0700	BE-AR	710189	052-3043	BE-AR	1906	052-3247	BE-AR	2025	052-3354	BE-AR	239155
052-0726	BE-AR	472164!	052-3092	BE-AR	1938	052-3249	BE-AR	716102	052-3355	BE-AR	225035
052-0767	BE-AR	472492!	052-3100	BE-AR	494117	052-3250	BE-AR	716102	052-3356	BE-AR	1953
052-0809	BE-AR	472397!	052-3118	BE-AR	222540	052-3251	BE-AR	1177	052-3357	BE-AR	482126
052-0841	BE-AR	471224!	052-3126	BE-AR	222220	052-3252	BE-AR	223801!	052-3360	BE-AR	482126
052-0890	BE-AR	471192	052-3134	BE-AR	1943	052-3253	BE-AR	223842	052-3361	BE-AR	473677
052-1146	BE-AR	224025	052-3136	BE-AR	1177	052-3254	BE-AR	1177	052-3362	BE-AR	224520
052-1161	BE-AR	472213	052-3139	BE-AR	3476	052-3256	BE-AR	1960	052-3362	BE-AR	224520
052-1187	BE-AR	1994	052-3140	BE-AR	716445	052-3257	BE-AR	1176	052-3365	BE-AR	716102
052-1245	BE-AR	3771	052-3147	BE-AR	222242	052-3258	BE-AR	227045	052-3366	BE-AR	1994
052-1328	BE-AR	710324	052-3149	BE-AR	1217	052-3259	BE-AR	1956	052-3369	BE-AR	1174
052-1369	BE-AR	1195	052-3152	BE-AR	1967	052-3261	BE-AR	413818	052-3370	BE-AR	1936
052-1401	BE-AR	1167	052-3153	BE-AR	1209	052-3265	BE-AR	710060	052-3371	BE-AR	710126
052-1434	BE-AR	1183	052-3155	BE-AR	1195	052-3265	BE-AR	BS40449	052-3372	BE-AR	710073
052-1435	BE-AR	1977	052-3158	BE-AR	1962	052-3268	BE-AR	1209	052-3374	BE-AR	225875
052-1450	BE-AR	1188	052-3161	BE-AR	2002	052-3269	BE-AR	225500	052-3376	BE-AR	1973
052-1468	BE-AR	1188	052-3167	BE-AR	2016	052-3270	BE-AR	239201	052-3377	BE-AR	710094
052-1484	BE-AR	1183	052-3168	BE-AR	2003N!	052-3271	BE-AR	1960	052-3379	BE-AR	710310
052-1542	BE-AR	1974	052-3169	BE-AR	1173	052-3273	BE-AR	3677	052-3380	BE-AR	710310
052-1658	BE-AR	1979	052-3170	BE-AR	32X58X8!	052-3274	BE-AR	4099	052-3381	BE-AR	224820
052-1773	BE-AR	58X72X8	052-3171	BE-AR	2016	052-3277	BE-AR	1973	052-3382	BE-AR	223840
052-1781	BE-AR	1996	052-3173	BE-AR	712011	052-3280	BE-AR	223035	052-3383	BE-AR	710152
052-1799	BE-AR	1984	052-3174	BE-AR	1979	052-3281	BE-AR	5695	052-3385	BE-AR	224560
052-1872	BE-AR	224252	052-3175	BE-AR	444116	052-3284	BE-AR	3395!	052-3386	BE-AR	223831
052-1930	BE-AR	1906	052-3176	BE-AR	1884	052-3285	BE-AR	3771	052-3387	BE-AR	225650
052-2003	BE-AR	1021V	052-3184	BE-AR	710076	052-3286	BE-AR	228010	052-3388	BE-AR	710308
052-2003	BE-AR	BS40265	052-3186	BE-AR	494117	052-3286	BE-AR	BS40252	052-3389	BE-AR	223520!
052-2037	BE-AR	223014	052-3189	BE-AR	1939	052-3288	BE-AR	223340	052-3391	BE-AR	3771
052-2052	BE-AR	223535	052-3191	BE-AR	229210	052-3289	BE-AR	223420	052-3392	BE-AR	228700
052-2060	BE-AR	223014	052-3192	BE-AR	1172	052-3290	BE-AR	1973	052-3395	BE-AR	3227
052-2086	BE-AR	1960	052-3192	BE-AR	TCS45725	052-3295	BE-AR	239134	052-3396	BE-AR	9613S
052-2128	BE-AR	224052	052-3193	BE-AR	1884	052-3296	BE-AR	1939	052-3397	BE-AR	710107
052-2177	BE-AR	227045	052-3196	BE-AR	4990	052-3298	BE-AR	224462	052-3398	BE-AR	710072
052-2193	BE-AR	228010	052-3197	BE-AR	710323	052-3301	BE-AR	3772	052-3399	BE-AR	710093
052-2201	BE-AR	1956	052-3199	BE-AR	1019	052-3302	BE-AR	3476	052-3400	BE-AR	223550
052-2250	BE-AR	710329	052-3199	BE-AR	BS40387	052-3303	BE-AR	225230	052-3401	BE-AR	222240
052-2268	BE-AR	227410	052-3200	BE-AR	1038	052-3304	BE-AR	225082	052-3402	BE-AR	710126

! Industrial Size/Type * Minor Width Difference

Mfr. No.	Name	Zero Duplication or Recommended Industrial	Mfr. No.	Name	Zero Duplication or Recommended Industrial	Mfr. No.	Name	Zero Duplication or Recommended Industrial	Mfr. No.	Name	Zero Duplication or Recommended Industrial
052-3403	BE-AR	4898	052-3485	BE-AR	226150	052-3581	BE-AR	223552	052-3663	BE-AR	1932
052-3404	BE-AR	473677	052-3486	BE-AR	710178*	052-3582	BE-AR	223018	052-3664	BE-AR	710143
052-3405	BE-AR	225872	052-3487	BE-AR	710266	052-3583	BE-AR	224840	052-3665	BE-AR	223552
052-3406	BE-AR	224510	052-3488	BE-AR	494123*	052-3586	BE-AR	225673	052-3666	BE-AR	223018
052-3407	BE-AR	239128	052-3490	BE-AR	1932	052-3589	BE-AR	224020	052-3667	BE-AR	225460
052-3408	BE-AR	710108	052-3491	BE-AR	710191	052-3590	BE-AR	229210	052-3668	BE-AR	710109
052-3412	BE-AR	710168	052-3492	BE-AR	710176*	052-3591	BE-AR	223802	052-3669	BE-AR	710289
052-3414	BE-AR	3459	052-3493	BE-AR	4899	052-3592	BE-AR	225010	052-3671	BE-AR	473179
052-3415	BE-AR	320583	052-3494	BE-AR	224870	052-3593	BE-AR	225010	052-3672	BE-AR	710293
052-3416	BE-AR	223845	052-3495	BE-AR	225775	052-3595	BE-AR	2235431	052-3673	BE-AR	710394
052-3416	BE-AR	224462	052-3496	BE-AR	1974	052-3596	BE-AR	710240	052-3674	BE-AR	710289
052-3417	BE-AR	224462	052-3497	BE-AR	225275	052-3597	BE-AR	4175	052-3675	BE-AR	227235
052-3418	BE-AR	1974	052-3499	BE-AR	1935	052-3599	BE-AR	710060	052-3676	BE-AR	710324
052-3421	BE-AR	224020	052-3500	BE-AR	226610	052-3600	BE-AR	712008	052-3677	BE-AR	1974
052-3422	BE-AR	224205	052-3501	BE-AR	225010	052-3601	BE-AR	229010	052-3678	BE-AR	710226
052-3423	BE-AR	1981	052-3502	BE-AR	225010	052-3602	BE-AR	320595	052-3679	BE-AR	710125
052-3424	BE-AR	228008	052-3503	BE-AR	223802	052-3603	BE-AR	710229	052-3680	BE-AR	710394
052-3425	BE-AR	1120	052-3504	BE-AR	222745	052-3604	BE-AR	710231	052-3687	BE-AR	712938
052-3426	BE-AR	223220	052-3505	BE-AR	222745	052-3605	BE-AR	1181	052-3710	BE-AR	226285
052-3427	BE-AR	320564	052-3506	BE-AR	223540	052-3606	BE-AR	710289	052-3713	BE-AR	710352
052-3428	BE-AR	228009	052-3507	BE-AR	710124	052-3607	BE-AR	224052	052-3715	BE-AR	710332
052-3429	BE-AR	473823	052-3508	BE-AR	1036	052-3608	BE-AR	1940	052-3715	SPG	710332
052-3429	BE-AR	710305	052-3509	BE-AR	223050	052-3609	BE-AR	710288	052-3717	BE-AR	710255
052-3430	BE-AR	1960	052-3510	BE-AR	223050	052-3610	BE-AR	1019	052-3733	BE-AR	BS40667
052-3431	BE-AR	225673	052-3513	BE-AR	223543!	052-3612	BE-AR	229210	052-3735	BE-AR	231004
052-3432	BE-AR	4898	052-3514	BE-AR	710118	052-3613	BE-AR	710373	052-3736	BE-AR	231052
052-3433	BE-AR	710131	052-3515	BE-AR	710134	052-3614	BE-AR	710166	052-3739	BE-AR	4249
052-3434	BE-AR	1964	052-3516	BE-AR	223543!	052-3615	BE-AR	710112	052-3741	BE-AR	710356
052-3435	BE-AR	223830	052-3517	BE-AR	223580	052-3616	BE-AR	223750	052-3742	BE-AR	710060
052-3436	BE-AR	1928	052-3518	BE-AR	710332	052-3617	BE-AR	228250	052-3743	BE-AR	710302
052-3437	BE-AR	1993	052-3518	BE-AR	TCS45719	052-3618	BE-AR	224660	052-3744	BE-AR	2012V
052-3438	BE-AR	225673	052-3519	BE-AR	710150	052-3619	BE-AR	224460	052-3925	BE-AR	229005
052-3440	BE-AR	224235	052-3520	BE-AR	2007N	052-3620	BE-AR	224052	0520023	BE-AR	224835
052-3441	BE-AR	226530	052-3521	BE-AR	223240	052-3621	BE-AR	710292	0520023	BE-AR	48X68X10!
052-3442	BE-AR	710070	052-3522	BE-AR	710109	052-3622	BE-AR	710439	0520031	BE-AR	224835
052-3443	BE-AR	225082*	052-3523	BE-AR	710110	052-3623	BE-AR	1217	0520031	BE-AR	48X68X10!
052-3444	BE-AR	225230	052-3525	BE-AR	710110	052-3624	BE-AR	3459	0520064	BE-AR	1955
052-3447	BE-AR	1941	052-3526	BE-AR	223540	052-3625	BE-AR	229005	0520064	BE-AR	52X65X9!
052-3448	BE-AR	225875	052-3527	BE-AR	712551	052-3626	BE-AR	350609	0520114	BE-AR	1012
052-3449	BE-AR	225020	052-3528	BE-AR	710112	052-3627	BE-AR	223540	0520114	BE-AR	1012N
052-3449	BE-AR	TCS45727	052-3529	BE-AR	223540	052-3628	BE-AR	1979	0520114	BE-AR	45X62X8!
052-3450	BE-AR	222556	052-3531	BE-AR	224066	052-3629	BE-AR	223230	0520130	BE-AR	1174
052-3452	BE-AR	225008	052-3532	BE-AR	223543!	052-3630	BE-AR	224205	0520130	BE-AR	38X52X8.5!
052-3453	BE-AR	225535	052-3533	BE-AR	223543!	052-3631	BE-AR	1979	0520163	BE-AR	224045
052-3454	BE-AR	224200	052-3534	BE-AR	223553	052-3632	BE-AR	713771	0520163	BE-AR	40X62X12!
052-3455	BE-AR	710158	052-3537	BE-AR	710123	052-3633	BE-AR	223802	0520536	BE-AR	223510
052-3456	BE-AR	710159	052-3541	BE-AR	224052	052-3634	BE-AR	223750	0520536	BE-AR	35X47X7!
052-3457	BE-AR	473812	052-3542	BE-AR	225545	052-3635	BE-AR	3771	0520544	BE-AR	239146
052-3458	BE-AR	225450	052-3545	BE-AR	224045	052-3636	BE-AR	224460	0520544	BE-AR	38X54X7!
052-3459	BE-AR	473179!	052-3547	BE-AR	710199	052-3637	BE-AR	710288	0520684	BE-AR	224820
052-3460	BE-AR	1012N	052-3549	BE-AR	224520	052-3638	BE-AR	710290	0520684	BE-AR	48X62X8!
052-3460	BE-AR	224662	052-3550	BE-AR	1147	052-3639	BE-AR	710436	0520817	BE-AR	1174
052-3461	BE-AR	4904	052-3552	BE-AR	710122	052-3640	BE-AR	710236	0520817	BE-AR	38X52X8.5!
052-3462	BE-AR	710175	052-3554	BE-AR	5604	052-3642	BE-AR	710306	0520957	BE-AR	1214
052-3463	BE-AR	710239	052-3556	BE-AR	224026	052-3643	BE-AR	223608	0520957	BE-AR	1214N
052-3464	BE-AR	224820	052-3557	BE-AR	223542	052-3646	BE-AR	224210	0520965	BE-AR	1213N
052-3465	BE-AR	225230	052-3558	BE-AR	710110	052-3647	BE-AR	223840*	0521088	BE-AR	2001
052-3466	BE-AR	3771	052-3559	BE-AR	710109	052-3647	BE-AR	710319	0521088	BE-AR	60X82X12!
052-3468	BE-AR	228010	052-3560	BE-AR	710109	052-3648	BE-AR	1987	0521088	BE-AR	BS27493
052-3469	BE-AR	710193	052-3562	BE-AR	710132	052-3649	BE-AR	1990	0521096	BE-AR	2001
052-3470	BE-AR	222267	052-3563	BE-AR	710133	052-3650	BE-AR	222330	0521096	BE-AR	60X82X12!
052-3472	BE-AR	710234	052-3564	BE-AR	224026	052-3652	BE-AR	223750	0521096	BE-AR	BS27493
052-3473	BE-AR	710194	052-3565	BE-AR	710435	052-3653	BE-AR	223010	0521112	BE-AR	228010
052-3474	BE-AR	1953	052-3566	BE-AR	710127	052-3654	BE-AR	224052	0521179	BE-AR	1994
052-3475	BE-AR	710192	052-3568	BE-AR	710176	052-3655	BE-AR	710271	0521179	BE-AR	48X70X9!
052-3476	BE-AR	320595	052-3569	BE-AR	710225	052-3656	BE-AR	710188	0521195	BE-AR	22510
052-3478	BE-AR	223420	052-3570	BE-AR	4899	052-3657	BE-AR	710189	0521195	BE-AR	25X35X7!
052-3479	BE-AR	710228	052-3571	BE-AR	710183	052-3658	BE-AR	710415	0521203	BE-AR	224100
052-3480	BE-AR	224066	052-3572	BE-AR	710182	052-3659	BE-AR	224650	0521203	BE-AR	40X65X10!
052-3481	BE-AR	239146	052-3575	BE-AR	710130	052-3660	BE-AR	473179	0521211	BE-AR	224052
052-3483	BE-AR	5694	052-3576	BE-AR	710129	052-3661	BE-AR	223018	0521211	BE-AR	40X52X7!
052-3484	BE-AR	1174	052-3580	BE-AR	223535	052-3662	BE-AR	225230	0521260	BE-AR	222820

! Industrial Size/Type * Minor Width Difference

NUMERICAL INTERCHANGE

Zero Duplication or Recommended Industrial		Zero Duplication or Recommended Industrial		Zero Duplication or Recommended Industrial		Zero Duplication or Recommended Industrial					
Mfr. No.	Name	Mfr. No.	Name	Mfr. No.	Name	Mfr. No.	Name				
0521260	BE-AR	28X40X7!	0522458	BE-AR	48X70X9!	0523172	BE-AR	223555	0525-7042LUP	JN-MN	417262!
0521286	BE-AR	222540	0522490	BE-AR	225020	0523172	BE-AR	35X64X8!	0525-7112LUP	JN-MN	415645!
0521286	BE-AR	25X40X7!	0522490	BE-AR	50X68X8!	0523178	BE-AR	1987	0525-9964LPD	JN-MN	417549!
0521377	BE-AR	1174	0522532	BE-AR	48X62X8!	0523178	BE-AR	TCS45424	052640	ALLCH	471766!
0521377	BE-AR	38X52X8.5!	0522532	BE-AR	710320	0523179	BE-AR	223235	052662	ALLCH	240735
0521419	BE-AR	224052	0522540	BE-AR	224820	0523179	BE-AR	32X46X6!	052794	GMC	470682
0521419	BE-AR	40X52X7!	0522540	BE-AR	48X62X8!	0523181	BE-AR	224820	052835	GMC	50075=
0521443	BE-AR	224865	0522581	BE-AR	224020	0523181	BE-AR	48X62X8!	0529000	BE-AR	16214
0521443	BE-AR	48X65X10!	0522581	BE-AR	40X55X8!	0523182	BE-AR	225110	0529001	BE-AR	16266
0521476	BE-AR	1174	0522599	BE-AR	226480	0523182	BE-AR	51X65X7!	053219	GMC	473226
0521476	BE-AR	38X52X8.5!	0522599	BE-AR	64X80X8!	0523185	BE-AR	223605	053243	ALLCH	240736
0521500	BE-AR	224235	0522607	BE-AR	227020	0523185	BE-AR	36X50X7!	053279	GMC	471735
0521500	BE-AR	42X58X7!	0522607	BE-AR	70X88X8!	0523187	BE-AR	222820	053496	ALLCH	417343!
0521518	BE-AR	224235	0522615	BE-AR	48X70X9!	0523187	BE-AR	28X40X7!	053506	ALLCH	55199=
0521518	BE-AR	42X58X7!	0522615	BE-AR	710313	0523195	BE-AR	223510	053517	ALLCH	417205!
0521534	BE-AR	224045	0522623	BE-AR	228020	0523195	BE-AR	35X47X7!	053670	ALLCH	417316!
0521534	BE-AR	40X62X12!	0522623	BE-AR	80X105X13!	0523198	BE-AR	1213N	0537-10598LUP	JN-MN	417551
0521559	BE-AR	224270	0522656	BE-AR	BS16144	0523203	BE-AR	224220	0537-12089LPD	JN-MN	415938
0521559	BE-AR	42X72X10!	0522672	BE-AR	55X82X12!	0523203	BE-AR	42X56X7!	0537-16549LUP	JN-MN	455576!
0521567	BE-AR	224045	0522698	BE-AR	38X58X8!	0523203	BE-AR	494117	0537-7193LPD	JN-MN	417554!
0521567	BE-AR	40X62X12!	0522698	BE-AR	710318	0523203	BE-AR	TCS45473	053926	ALLCH	240731
0521575	BE-AR	223542	0522730	BE-AR	1012	0523209	BE-AR	224570	053927	ALLCH	240733
0521575	BE-AR	35X55X11!	0522730	BE-AR	1012N	0523209	BE-AR	45X72X12!	054-115-147B	AUDI	1108
0521583	BE-AR	1181	0522755	BE-AR	1990	0523211	BE-AR	224255	054074	ALLCH	416271!
0521583	BE-AR	41X56X7!	0522755	BE-AR	TCS45718	0523211	BE-AR	42X65X10!	054270	ALLCH	412119!
0521609	BE-AR	224520	0522805	BE-AR	223553	0523213	BE-AR	224252	054295	ALLCH	411394!
0521609	BE-AR	45X60X10!	0522805	BE-AR	35X62X7!	0523213	BE-AR	42X62X8!	0543-6764LA	JN-MN	55357
0521617	BE-AR	1012	0522839	BE-AR	1012	0523219	BE-AR	1955	05439	JAC	481073
0521617	BE-AR	1012N	0522839	BE-AR	1012N	0523219	BE-AR	52X65X9!	05485	NATEN	417539!
0521617	BE-AR	45X62X8!	0522839	BE-AR	45X62X8!	0523220	BE-AR	225460	0550-10302LPD	JN-MN	417361
0521633	BE-AR	1012	0522847	BE-AR	226020	0523220	BE-AR	54X85X10!	0550-14438LPD	JN-MN	416191
0521633	BE-AR	1012N	0522847	BE-AR	60X80X8!	0523226	BE-AR	224470	0550-1684LPD	JN-MN	416107!
0521633	BE-AR	45X62X8!	0522912	BE-AR	225010	0523226	BE-AR	44X72X10!	0550-1684LPD	JN-MN	455073
0521674	BE-AR	1187	0522912	BE-AR	50X65X8!	0523238	BE-AR	225875	0550-2662LPD	JN-MN	416107!
0521674	BE-AR	47X68X10!	0522920	BE-AR	225010	0523238	BE-AR	58X75X11!	0550-4825LUP	JN-MN	476842*
052173	GEHL	471516!	0522920	BE-AR	50X65X8!	0523240	BE-AR	225110	0550-5926LUP	JN-MN	417254*
052176	ALLCH	415035	0522938	BE-AR	38X52X8.5!	0523240	BE-AR	51X65X7!	0550-7186LUP	JN-MN	416107!
0521906	BE-AR	35X50X8!	0522938	BE-AR	710309	0523248	BE-AR	1994	0550-7186LUP	JN-MN	455073
0521906	BE-AR	3771	0522953	BE-AR	224235	0523248	BE-AR	48X70X9!	055000919	EATON	471466!
0521948	BE-AR	BS25031	0522953	BE-AR	42X58X7!	0523255	BE-AR	223840	05506270LA	JN-MN	417254
0521989	BE-AR	223830	0522995	BE-AR	223830	0523255	BE-AR	38X58X8!	055078SSR	SPG	55078S
0521989	BE-AR	38X55X7!	0522995	BE-AR	38X55X7!	0523263	BE-AR	224045	0551-15201SS	JN-MN	231404*
0522045	BE-AR	224220	0523019	BE-AR	1012	0523263	BE-AR	40X62X12!	055231	ALLCH	472070
0522045	BE-AR	42X56X7!	0523019	BE-AR	1012N	0523291	BE-AR	222820	055281	GEHL	473440
0522045	BE-AR	494117	0523019	BE-AR	45X62X8!	0523291	BE-AR	28X40X7!	055282	GEHL	472179
0522136	BE-AR	224210	0523027	BE-AR	225505	0523292	BE-AR	223801!	055283	GEHL	413248
0522136	BE-AR	41X55X7!	0523027	BE-AR	55X70X8!	0523294	BE-AR	1992	055391	ALLCH	470625!
0522144	BE-AR	224560	0523050	BE-AR	224220	0523294	BE-AR	45X65X8!	055392	ALLCH	471567!
0522144	BE-AR	45X68X7!	0523050	BE-AR	42X56X7!	0523322	BE-AR	223420	055941	GMC	415960
0522151	BE-AR	224820	0523050	BE-AR	494117	0523322	BE-AR	TCS45860	056-103-051A	AUDI	228480
0522151	BE-AR	48X62X8!	0523135	BE-AR	223542	0523327	BE-AR	224210	056-103-051A	VW	228480
0522169	BE-AR	1955	0523135	BE-AR	35X55X11!	0523327	BE-AR	42X55X8!	056-103-051D	AUDI	716102
0522169	BE-AR	52X65X9!	0523137	BE-AR	1945	0523390	BE-AR	710334	056-103-051D	PORSC	716102
0522185	BE-AR	75X100X12!	0523137	BE-AR	228480	0523439	BE-AR	1207	056-103-085	PORSC	3476
0522219	BE-AR	225420	0523138	BE-AR	716102	0523439	BE-AR	1207N	056-103-085	VW	3476
0522219	BE-AR	54X72X10!	0523138	BE-AR	85X105X10!	0523445	BE-AR	1205	056-103-085B	PORSC	3476
0522227	BE-AR	225230	0523142	BE-AR	227040	0523445	BE-AR	1205N	056-103-085B	VW	3476
0522227	BE-AR	52X72X8!	0523142	BE-AR	70X90X10!	0523446	BE-AR	1012	05602404	TROS	350156
0522276	BE-AR	1953	0523143	BE-AR	224252	0523446	BE-AR	1012N	05602404	TROS	473096
0522276	BE-AR	42X60X7!	0523143	BE-AR	42X62X8!	0523585	BE-AR	1205	05602405	TROS	350156
0522292	BE-AR	1953	0523145	BE-AR	227040	0523585	BE-AR	1205N	05602405	TROS	473096
0522292	BE-AR	42X60X7!	0523145	BE-AR	70X90X10!	0523611	BE-AR	228005	05602804	TROS	472810!
0522318	BE-AR	BS16144	0523148	BE-AR	224045	0523611	BE-AR	710235	05603104	TROS	340771
0522322	BE-AR	TCS45860	0523148	BE-AR	40X62X12!	0523641	BE-AR	223830	05603204	TROS	342613!
0522375	BE-AR	1948	0523150	BE-AR	239146	0523645	BE-AR	225005	05603205	TROS	342613!
0522375	BE-AR	50X68X8!	0523150	BE-AR	38X54X7!	0523651	BE-AR	1940	05604002	TROS	340849
0522417	BE-AR	1012	0523154	BE-AR	1174	0523651	BE-AR	TCS45968	056092SB	TRSCM	472705!
0522417	BE-AR	1012N	0523154	BE-AR	38X52X8.5!	0523670	BE-AR	710235	056103051D	VW	716102
0522425	BE-AR	225005	0523156	BE-AR	1012	0523670	BE-AR	BS40638	056112TB	TRSCM	471281!
0522425	BE-AR	50X62X7!	0523156	BE-AR	1012N	0523723	BE-AR	BS40387	056122TB	TRSCM	471535!
0522458	BE-AR	1994	0523157	BE-AR	1208	052392	ALLCH	417316!	056132TB	TRSCM	471551!
			0523157	BE-AR	48X72X7!	0525-14634LPD	JN-MN	415645!	0562-10152LUP	JN-MN	417556

! Industrial Size/Type *Minor Width Difference

= The U.S. customer service number is 877-4-TIMKEN. The Canadian customer service numbers are 800-565-4927 (English) and 800-565-0438 (French-Canadian).

Mfr. No.	Name	Zero Duplication or Recommended Industrial	Mfr. No.	Name	Zero Duplication or Recommended Industrial	Mfr. No.	Name	Zero Duplication or Recommended Industrial	Mfr. No.	Name	Zero Duplication or Recommended Industrial
0562-16720LDS	JN-MN	417555!*	0609108	THIOK	415960	065089406	WHITE	471808!	068139	AUTOZ	TCS45483
0562-60015LDS	JN-MN	417556	06091VB	TRSCM	343105	065097801	WHITE	J1134	06814SB	TRSCM	471579
0562-6533LPD	JN-MN	417555!	060920	ALLCH	416664!	065101101	WHITE	415053H=	068160	AUTOZ	TCS45603
05620006	JA-HE	472924!	06092TB	TRSCM	351487	065101102	WHITE	417269!	068168	AUTOZ	TCS45635
05620007	JA-HE	473213!	06092TB	TRSCM	7188S	065112SB	TRSCM	481528	068181	AUTOZ	TCS45724
05620008	JA-HE	471271!	06092VB	TRSCM	7188S	065117401	WHITE	415185H=	068200	AUTOZ	TCS45847
05620009	JA-HE	471646!	060931VB	TRSCM	7399S!	065122SB	TRSCM	481537	068326	AUTOZ	35094
05620010	JA-HE	350942	06101PVB	TRSCM	314267N	06512990	ALLCH	415483	068376	AUTOZ	35394
0572106	EATON	411253!	06111SB	TRSCM	474261	065133SB	TRSCM	481073	068513	ALLCH	472144!
05727AB	CASE	471763	06112SB	TRSCM	471466	065136001	WHITE	417621	0687-14128LDS	JN-MN	455584
057288	ALLCH	472636!	06112TB	TRSCM	471466	065139901	WHITE	416345=	0687-19138LUP	JN-MN	455584*
0575-10303LUP	JN-MN	416666	06112TB	TRSCM	471466!	065152TB	TRSCM	481397	069-115-147	AUDI	1108
0575-12423LUP	JN-MN	416039	06112VTB	TRSCM	471466!	06522402	WHITE	J1135=	06946AB	CASE	473424!
0575-14915LPD	JN-MN	416666	06113TA	TRSCM	471466	065611500	EATON	471466!	06949AB	CASE	473424!
0575-15839LUP	JN-MN	415447	06117618	ALLCH	415035	06581144	ALLCH	415449	069641	ALLCH	330385!
0575-18542LUP	JN-MN	417362!*	0612-10311LUP	JN-MN	455330!	06589428	ALLCH	476470!	069749	GMC	473211!
0575-8822LPD	JN-MN	417362!	0612-10381LPD	JN-MN	455330!	0661010	LILIS	471692!	069897	GMC	471192
0575-9165LUP	JN-MN	416666	06122TB	TRSCM	471264!	066111SB	TRSCM	481481	06M5026901	WHITE	J1127
0575-9548LUP	JN-MN	417362!	0612B	GOODM	471567!	066122VB	TRSCM	471538	06M5050101	WHITE	J1121
057541100	EATON	415725!	06132TB	TRSCM	471255!	0662-8431LPD	JN-MN	417298	06M5572501	WHITE	473237!
057548	ALLCH	415045!	06132TB	TRSCM	471255	066309	ALLCH	476470	06X5422301	WHITE	J1126
05757	NAK	13X28X7!	06132VTB	TRSCM	471255	06680334	ALLCH	340771	06X5422601	WHITE	415196!
058519	REX	295200=	06134SSTB	TRSCM	471255	066860	ALLCH	415035	0700-10063LPD	JN-MN	416364!
058519	REX	416888!	061352	ALLCH	473179!	06707	NAK	125X170X15	0700-11577LPD	JN-MN	416239!
058531	NATEN	471766!	06136	NAK	300X340X20	0672-E498	GM	OK311	0700-13240LDS	JN-MN	416364!*
058531	REX	471766!	061374SSTZN	TRSCM	450557	0672-F013	GM	OK411	0700-17062LUP	JN-MN	417597
05861AB	CASE	474264	06152SZ	TRSCM	471612	06739833	ALLCH	415349=	0700-17746LDS	JN-MN	416239!*
0587-13816LPD	JN-MN	455297	061607A	HARWA	6X16X7	0675-10062LUP	JN-MN	417596	0700-6840LUP	JN-MN	417597
0587-9654LUP	JN-MN	416476!	061696	ALLCH	415995!	0675-12078LPD	JN-MN	417596	0700-6862LUP	JN-MN	416364!
058876	ALLCH	415379	0618-4864LUP	JN-MN	455583N!	0675-14821LDS	JN-MN	415327	0700-9304LUP	JN-MN	416239!
059-103-051D	AUDI	710205	06186621	ALLCH	470954!	0675-16763LDS	JN-MN	417596	0704-0015	GM	470334!
059-103-051D	PORSC	710205	06198881	ALLCH	472179	0675-18711LPD	JN-MN	417596	0704-0015	GM	50289
059-103-051D	PORSC	BS16144	06198907	ALLCH	416891!	0675-7208LUP	JN-MN	415327	0704-0134	GM	50081
059-103-085E	AUDI	716484	06199004	ALLCH	471138!	0675-9048LUP	JN-MN	415327	0704-0257	GM	50419
059103095	AUDI	25598	06207849	ALLCH	473010!	0675-9290LPD	JN-MN	415327	0704-0279	GM	472560N!
059103095	VW	25598	062207A	HARWA	6X22X7!	067541	ALLCH	471466!	0704-0283	GM	471652
059105257A	AUDI	J1105	0625-7194LPD	JN-MN	455480!	0675AB	CASE	471646!	0704-0291	GM	471763
059121119	AUDI	25598	0625-8804LPD	JN-MN	455480!	067676	AUTOZ	13069	0704-0298	GM	473426
059121119	VW	25598	0625-8949LUP	JN-MN	417562	067677	AUTOZ	13338	0704-0359	GM	473234!
059246	ALLCH	471649!	062559400	EATON	412473!	067824	AUTOZ	BS15868	0704-0405	GM	473471
0593-10258LPD	JN-MN	417780	06283576	ALLCH	415991	067828	AUTOZ	BS25035	0704-0424	GM	415483
0593-9351LPD	JN-MN	417780	06283576	ALLCH	415991!	067842	AUTOZ	BS40110	0704-0431	GM	415984!
0593-9401LPD	JN-MN	417780	06284855	ALLCH	415302	067849	AUTOZ	BS40380	0704-0442	GM	415088
059325	ALLCH	417316!	06288948	ALLCH	415379	067854	AUTOZ	BS40396	0704-0442	GM	415088!
059463900	EATON	55353	06289417	ALLCH	415449!	067863	AUTOZ	BS40449-1	0704-0444	GM	417171!
05950	SIDEW	205004	06290407	ALLCH	417316!	067870	AUTOZ	BS40509	0704-0538	GM	472354!
059931VC	TRSCM	340797	06297337	ALLCH	411178=	067877	AUTOZ	BS40578	0704-0546	GM	472397!
059947	ALLCH	470898	06326086	ALLCH	471413	067878	AUTOZ	BS40592	0704-0571	GM	343098
0600-12196LUP	JN-MN	417365	06340061	ALLCH	450930=	067880	AUTOZ	BS40620	0704-0573	GM	470954!
0600-16079LDS	JN-MN	415683*	06345193	ALLCH	417269!	067913	ALLCH	471820	0704-0628	GM	470950!
0600-2499LUP	JN-MN	415683	06347033	ALLCH	417344!	067914	ALLCH	473214!	0704-0628	GM	6241S
0600-5610LUP	JN-MN	415072	06357784	ALLCH	415995!	068-103-085A	AUDI	3476	0704-0640	GM	473234
0600-6719LA	JN-MN	415072	0637-17886LUP	JN-MN	417563	068-103-085A	VW	3476	0704-0699	GM	472492!
0600-8947LUP	JN-MN	415072	0637-9749LPD	JN-MN	55692* =	068-103-085R	VW	3476	0704-0730	GM	450668!
0600-9514LUP	JN-MN	415683	06383863	ALLCH	471651	068-105-085E	AUDI	3476	0704-0748	GM	417621!
0600-9993LUP	JN-MN	415072	064302	ALLCH	473464!	068-105-085E	VW	3476	0704-0749	GM	416288!
06003803	TROS	340797	064302	ALLCH	473464	068-198-171	AUDI	716102	0704-0893	GM	471868
06004003	TROS	7399S!	064305	ALLCH	470682	068-198-171	VW	716102	0704-0897	GM	415483
06010AB	CASE	450621	06435606	ALLCH	471267!	068-198-171A	AUDI	716102	0704-0918	GM	481650
06017AB	CASE	473466	064474	GEHL	471504!	068-198-171A	VW	716102	0704-0993	GM	416654!
06030027	ALLCH	476838!	064551	EATON	410737!	068103051G	VW	716102	0704-1065	GM	450341
06030076	ALLCH	471795	06486203	ALLCH	416345!	068103051L	VW	716102	0704-1069	GM	55357
06034623	ALLCH	473016!	06486203	ALLCH	455033	068112SB	TRSCM	471529	0704-1071	GM	455434
06049738	ALLCH	416888!	06492664	ALLCH	415995!	068112TC	TRSCM	471529	0704-1074	GM	412920!
060504AB	CASE	410308!	0650-10267LUP	JN-MN	415294!	068118	AUTOZ	TCS45108	0704-1096	GM	343123
06075AB	CASE	471646!	0650-10715LUP	JN-MN	415294!	068122SB	TRSCM	471538!	0704-1107	GM	471549!
060775	ALLCH	471267!	0650-12772LUP	JN-MN	415294!	068122TZ	TRSCM	471538!	0704-1110	GM	471532
060809VC	TRSCM	340387	0650-16762LDS	JN-MN	416229	068128	AUTOZ	TCS45285	0704-1119	GM	50206
06081SM	TRSCM	253747!	0650-8950LUP	JN-MN	416229	068132SB	TRSCM	471553!	0704-1130	GM	471684!
06081SM	TRSCM	340849	06504AB	CASE	410308!	068133TC	TRSCM	471553!	0704-1132	GM	471231!
06081VM	TRSCM	340387	06506778	ALLCH	471529	068135	AUTOZ	TCS45472	0704-1144	GM	471649!
0608722	GMC	471224!	065089404	WHITE	471554!	068137	AUTOZ	TCS45473	0704-1145	GM	471689!

! Industrial Size/Type * Minor Width Difference

= The U.S. customer service number is 877-4-TIMKEN. The Canadian customer service numbers are 800-565-4927 (English) and 800-565-0438 (French-Canadian).

NUMERICAL INTERCHANGE

Zero Duplication or Recommended Industrial		Zero Duplication or Recommended Industrial		Zero Duplication or Recommended Industrial		Zero Duplication or Recommended Industrial					
Mfr. No.	Name	Mfr. No.	Name	Mfr. No.	Name	Mfr. No.	Name				
0704-1155	GM	470712!	0704-2099	GM	415437	0704-3237	GM	450342	0704-3854	GM	472397!
0704-1172	GM	472258!	0704-2100	GM	472157!	0704-3241	GM	471571	0704-3869	GM	5166
0704-1187	GM	240319	0704-2100	GM	472157	0704-3242	GM	473380	0704-3950	GM	472015!
0704-1191	GM	453065	0704-2103	GM	415294!	0704-3244	GM	472536	0704-3956	GM	472826!
0704-1209	GM	473444	0704-2104	GM	415867	0704-3272	GM	50191	0704-3960	GM	471281!
0704-1215	GM	471504!	0704-2109	GM	471281!	0704-3273	GM	415449!	0704-3972	GM	417262!
0704-1220	GM	470088	0704-2111	GM	471272!	0704-3277	GM	415683	0704-3990	GM	J1101
0704-1264	GM	416273!	0704-2112	GM	471267!	0704-3280	GM	353131	0704-3991	GM	J1122
0704-1284	GM	415995!	0704-2117	GM	470898	0704-3280	GM	471231!	0704-4020	GM	J1103
0704-1303	GM	415023	0704-2118	GM	472015!	0704-3304	GM	473240!	0704-4022	GM	J1105
0704-1379	GM	415645!	0704-2120	GM	6703S	0704-3315	GM	415960!	0704-4023	GM	J1106
0704-1472	GM	470954!	0704-2190	GM	473439!	0704-3323	GM	471354!	0704-4024	GM	J1107
0704-1696	GM	43073S	0704-2204	GM	472653!	0704-3327	GM	473010!	0704-4026	GM	J1109
0704-1697	GM	471766!	0704-2256	GM	416292	0704-3332	GM	473232	0704-4028	GM	J1111
0704-1698	GM	50478	0704-2270	GM	470328	0704-3344	GM	413246	0704-4029	GM	J1112
0704-1701	GM	415458!	0704-2270	GM	481213!	0704-3348	GM	416706!	0704-4032	GM	J1115
0704-1702	GM	416666	0704-2287	GM	473441	0704-3351	GM	417356!	0704-4034	GM	J1117
0704-1703	GM	417357	0704-2289	GM	473313	0704-3351	GM	455188	0704-4035	GM	J1118
0704-1706	GM	412920!	0704-2315	GM	471553!	0704-3352	GM	416888!	0704-4036	GM	J1119
0704-1707	GM	471141!	0704-2343	GM	340850	0704-3353	GM	417247!	0704-4038	GM	J1121
0704-1713	GM	471076	0704-2344	GM	3395!	0704-3356	GM	416107!	0704-4039	GM	J1123
0704-1714	GM	471272!	0704-2344	GM	352444	0704-3356	GM	455073	0704-4040	GM	J1124
0704-1715	GM	471316	0704-2351	GM	481644	0704-3385	GM	350909	0704-4041	GM	J1125
0704-1722	GM	416273	0704-2352	GM	471272!	0704-3385	GM	471224!	0704-4042	GM	J1126
0704-1723	GM	480630!	0704-2411	GM	330699	0704-3389	GM	340817	0704-4043	GM	J1127
0704-1737	GM	474277	0704-2413	GM	453063	0704-3418	GM	471633!	0704-4044	GM	J1128
0704-1749	GM	472144!	0704-2415	GM	472179	0704-3470	GM	342613!	0704-4046	GM	J1130
0704-1756	GM	43077S	0704-2423	GM	473212!	0704-3471	GM	471652	0704-4047	GM	J1131
0704-1773	GM	340387	0704-2424	GM	450463	0704-3487	GM	5865	0704-4048	GM	J1132
0704-1782	GM	471538!	0704-2425	GM	450335	0704-3498	GM	473244	0704-4050	GM	J1134
0704-1783	GM	471553!	0704-2427	GM	450090	0704-3499	GM	4739	0704-4052	GM	J1136
0704-1789	GM	474253	0704-2428	GM	481073	0704-3501	GM	450362	0704-4054	GM	J1138
0704-1790	GM	254287!	0704-2476	GM	450065	0704-3505	GM	455321	0704-4056	GM	J1140
0704-1801	GM	450040	0704-2477	GM	50254=	0704-3509	GM	50514	0704-4057	GM	J1141
0704-1807	GM	471760	0704-2482	GM	450776!	0704-3514	GM	40370S	0704-4070	GM	455123
0704-1809	GM	471516!	0704-2489	GM	455117	0704-3531	GM	416664!	0704-4091	GM	417621!
0704-1815	GM	350974!	0704-2493	GM	470590	0704-3542	GM	45031S	0704-4132	GM	51032S
0704-1818	GM	43076S	0704-2494	GM	43069S	0704-3564	GM	415697!	0704-4135	GM	415379
0704-1821	GM	471413!	0704-2495	GM	343104	0704-3568	GM	473241	0704-4160	GM	473214
0704-1831	GM	473215!	0704-2496	GM	353135	0704-3572	GM	450260	0704-4171	GM	417254
0704-1832	GM	473197!	0704-2496	GM	474278	0704-3607	GM	416370!	0704-4212	GM	40433S
0704-1833	GM	6241S	0704-2497	GM	476838!	0704-3613	GM	5877	0704-4231	GM	417351!
0704-1835	GM	471835!	0704-2498	GM	471820	0704-3630	GM	442380	0704-4317	GM	480889
0704-1837	GM	473197	0704-2860	GM	472311!	0704-3632	GM	240151	0704-4324	GM	413478
0704-1842	GM	481163!	0704-2865	GM	471649!	0704-3633	GM	340787	0704-4351	GM	417491
0704-1843	GM	470625!	0704-2868	GM	471705!	0704-3634	GM	331301N	0704-4488	GM	473204
0704-1844	GM	7886S	0704-2871	GM	472354!	0704-3636	GM	471821!	0704-4490	GM	417505
0704-1845	GM	473228	0704-2889	GM	472636!	0704-3637	GM	473466	0704-4511	GM	472560N
0704-1852	GM	453510	0704-2893	GM	415458!	0704-3638	GM	473461!	0704-4544	GM	471887
0704-1853	GM	43074S	0704-2901	GM	415995!	0704-3640	GM	415001!	0704-4549	GM	471224!
0704-1858	GM	473367!	0704-2901	GM	415995!	0704-3641	GM	416154!	0704-4553	GM	416077
0704-1858	GM	473367	0704-2920	GM	415124	0704-3646	GM	472924!	0704-4554	GM	455308
0704-1867	GM	472185!	0704-2923	GM	341022	0704-3649	GM	50010	0704-4568	GM	417488!
0704-1868	GM	472185!	0704-2925	GM	471554!	0704-3653	GM	472826!	0704-4589	GM	417515
0704-1876	GM	353120	0704-2933	GM	471866!	0704-3656	GM	327303!	0704-4910	GM	450639
0704-1890	GM	453066	0704-2953	GM	416041	0704-3658	GM	471466!	0704-4916	GM	471192
0704-1890	GM	470898!	0704-2954	GM	455566	0704-3668	GM	455079!	0704-5279	GM	471692!
0704-1899	GM	410694!	0704-2964	GM	410496!	0704-3681	GM	50501	0704-5280	GM	473446
0704-1925	GM	455015	0704-2965	GM	471103!	0704-3716	GM	473228	0704-5283	GM	415498
0704-1931	GM	476470	0704-2967	GM	240733	0704-3717	GM	470712!	0704-5295	GM	416149
0704-1935	GM	415991	0704-2979	GM	322353	0704-3719	GM	473237!	0704-5480	GM	471516!
0704-1935	GM	415991!	0704-2979	GM	474278	0704-3747	GM	471276	0704-5481	GM	415227!
0704-1986	GM	472164!	0704-3017	GM	340827	0704-3763	GM	473226	0704-5503	GM	473235
0704-1987	GM	352541	0704-3032	GM	451182	0704-3764	GM	50413	0704-5504	GM	416345!
0704-2012	GM	472258!	0704-3034	GM	416775	0704-3766	GM	473467	0704-5504	GM	455033
0704-2037	GM	470354	0704-3217	GM	5976S	0704-3768	GM	450415	0704-5505	GM	417514
0704-2085	GM	472409!	0704-3218	GM	6703S	0704-3769	GM	472319	0704-5586	GM	415196!
0704-2094	GM	412871!	0704-3228	GM	240356	0704-3770	GM	472951	0704-5596	GM	472164!
0704-2095	GM	412119!	0704-3231	GM	410524	0704-3770	GM	474252	0704-5597	GM	415988
0704-2096	GM	416267!	0704-3232	GM	415047	0704-3774	GM	471915	0704-5598	GM	417316!
0704-2097	GM	455005	0704-3234	GM	416130!	0704-3776	GM	471692!	0704-5599	GM	416339
0704-2098	GM	417181!	0704-3235	GM	441319	0704-3779	GM	476838!	0704-5600	GM	415035

! Industrial Size/Type

= The U.S. customer service number is 877-4-TIMKEN. The Canadian customer service numbers are 800-565-4927 (English) and 800-565-0438 (French-Canadian).

Mfr. No.	Name	Zero Duplication or Recommended Industrial	Mfr. No.	Name	Zero Duplication or Recommended Industrial	Mfr. No.	Name	Zero Duplication or Recommended Industrial	Mfr. No.	Name	Zero Duplication or Recommended Industrial
0704-5601	GM	415449!	0704-6562	GM	471729	0704-6796	GM	417602!	0704-6870	GM	471224
0704-5602	GM	470334!	0704-6565	GM	473414	0704-6797	GM	417604	0704-6871	GM	470954
0704-5603	GM	471785!	0704-6571	GM	455871	0704-6798	GM	417608	0704-6872	GM	471526
0704-5846	GM	416229	0704-6589	GM	471787!	0704-6799	GM	471764!	0704-6873	GM	43072S
0704-5859	GM	471442!	0704-6590	GM	415077	0704-6800	GM	414268!	0704-6875	GM	350156
0704-5961	GM	417487	0704-6615	GM	415085!	0704-6801	GM	450593!	0704-6875	GM	473096
0704-5961	GM	417487!	0704-6615	GM	456648	0704-6802	GM	470806	0704-6877	GM	471103!
0704-6061	GM	474252!	0704-6616	GM	412027	0704-6803	GM	450911N!	0704-6878	GM	474279N!
0704-6068	GM	471692!	0704-6617	GM	8059S	0704-6804	GM	472164	0704-6880	GM	203025
0704-6070	GM	471692!	0704-6621	GM	471567!	0704-6805	GM	451857	0704-6881	GM	240319
0704-6077	GM	474260	0704-6732	GM	5836	0704-6806	GM	455134!	0704-6882	GM	240735
0704-6080	GM	473427	0704-6733	GM	8705S	0704-6807	GM	417967!	0704-6883	GM	252277
0704-6082	GM	473203	0704-6734	GM	471766	0704-6808	GM	455194	0704-6884	GM	345035
0704-6094	GM	473211!	0704-6735	GM	472810!	0704-6809	GM	455356	0704-6885	GM	472016
0704-6102	GM	471835!	0704-6736	GM	203029	0704-6810	GM	455584	0704-6886	GM	411376!
0704-6103	GM	323125	0704-6737	GM	324941	0704-6811	GM	474281!	0704-6887	GM	412119!
0704-6103	GM	450456!	0704-6739	GM	415302	0704-6812	GM	471766!	0704-6888	GM	412920!
0704-6109	GM	203013	0704-6740	GM	416332!	0704-6813	GM	470625!	0704-6889	GM	412943
0704-6113	GM	473440!	0704-6741	GM	416345!	0704-6814	GM	470950!	0704-6890	GM	413469!
0704-6116	GM	472213	0704-6742	GM	417196!	0704-6814	GM	6241S	0704-6891	GM	413479
0704-6119	GM	470682	0704-6743	GM	417269!	0704-6815	GM	471138!	0704-6892	GM	415001!
0704-6120	GM	50200	0704-6744	GM	417349!	0704-6816	GM	471224!	0704-6893	GM	415027
0704-6123	GM	340927	0704-6745	GM	417351!	0704-6817	GM	471271!	0704-6894	GM	415036
0704-6127	GM	43095S!	0704-6746	GM	417490	0704-6818	GM	471391!	0704-6895	GM	415090
0704-6130	GM	473233!	0704-6747	GM	417493	0704-6819	GM	473367	0704-6897	GM	415128
0704-6131	GM	473445	0704-6748	GM	417526	0704-6820	GM	471551!	0704-6898	GM	415284
0704-6133	GM	240119	0704-6750	GM	451082	0704-6821	GM	471554!	0704-6899	GM	415294!
0704-6134	GM	471526!	0704-6751	GM	455019!	0704-6822	GM	471652	0704-6900	GM	415349
0704-6135	GM	450400	0704-6752	GM	455197N	0704-6823	GM	471705!	0704-6901	GM	415351!
0704-6143	GM	473449!	0704-6753	GM	455480!	0704-6824	GM	471760	0704-6902	GM	415437
0704-6144	GM	473451!	0704-6754	GM	470380!	0704-6825	GM	471765!	0704-6903	GM	415458!
0704-6149	GM	473454	0704-6755	GM	470590	0704-6826	GM	471820	0704-6904	GM	415551
0704-6150	GM	473454!	0704-6756	GM	474253	0704-6827	GM	472287!	0704-6905	GM	415725!
0704-6157	GM	472492!	0704-6757	GM	471137	0704-6828	GM	472319	0704-6906	GM	415995!
0704-6160	GM	473467	0704-6758	GM	471264!	0704-6829	GM	473197	0704-6906	GM	415995!
0704-6163	GM	440972	0704-6759	GM	471267!	0704-6830	GM	473010!	0704-6907	GM	412473!
0704-6164	GM	455080	0704-6760	GM	471413!	0704-6831	GM	473016!	0704-6908	GM	415937!
0704-6167	GM	471138!	0704-6761	GM	471466!	0704-6832	GM	473205!	0704-6909	GM	415938
0704-6171	GM	411394!	0704-6762	GM	471472!	0704-6833	GM	473224!	0704-6910	GM	415960
0704-6183	GM	253747!	0704-6763	GM	471504	0704-6834	GM	473227!	0704-6911	GM	416077
0704-6184	GM	417079	0704-6764	GM	471529	0704-6835	GM	473232!	0704-6912	GM	416107!
0704-6188	GM	476281	0704-6765	GM	471553!	0704-6836	GM	473233!	0704-6913	GM	416137
0704-6262	GM	416332!	0704-6766	GM	471564	0704-6837	GM	473258!	0704-6914	GM	416154!
0704-6263	GM	40555	0704-6767	GM	471570!	0704-6838	GM	473313!	0704-6915	GM	416158
0704-6263	GM	40555S!	0704-6768	GM	471647	0704-6839	GM	473421	0704-6916	GM	416229
0704-6264	GM	471526!	0704-6769	GM	471730	0704-6840	GM	473446	0704-6917	GM	416364!
0704-6268	GM	455022	0704-6770	GM	471744!	0704-6841	GM	473449!	0704-6918	GM	416556!
0704-6272	GM	455871N	0704-6771	GM	471763	0704-6842	GM	480210!	0704-6918	GM	472157
0704-6346	GM	474254	0704-6772	GM	473459	0704-6843	GM	472354!	0704-6919	GM	416624!
0704-6351	GM	472164!	0704-6773	GM	472439	0704-6844	GM	350435	0704-6920	GM	416666
0704-6380	GM	417570	0704-6774	GM	472475	0704-6845	GM	412861	0704-6921	GM	416865!
0704-6382	GM	415116	0704-6775	GM	472492!	0704-6846	GM	416239!	0704-6966	GM	5115
0704-6383	GM	411253!	0704-6776	GM	473231!	0704-6847	GM	417601	0704-6968	GM	410737!
0704-6385	GM	417316!	0704-6777	GM	473236!	0704-6848	GM	471341!	0704-7003	GM	411253!
0704-6386	GM	416339	0704-6778	GM	473445	0704-6849	GM	471649!	0704-7095	GM	200851
0704-6386	GM	455031!	0704-6779	GM	476838!	0704-6850	GM	471651	0704-7123	GM	5146
0704-6387	GM	415035	0704-6780	GM	417159	0704-6851	GM	472213	0704-7124	GM	5167
0704-6387	GM	415035!	0704-6781	GM	417298	0704-6852	GM	472924!	0704-7125	GM	5168
0704-6388	GM	415449!	0704-6782	GM	417344!	0704-6853	GM	473214!	0704-7126	GM	5169
0704-6389	GM	470334!	0704-6783	GM	417350!	0704-6854	GM	50883=	0704-7127	GM	5170
0704-6437	GM	415962	0704-6784	GM	417355!	0704-6855	GM	412027	0704-7128	GM	5246
0704-6440	GM	471567!	0704-6785	GM	417356!	0704-6856	GM	417481	0704-7130	GM	5399
0704-6459	GM	450188	0704-6786	GM	417357	0704-6857	GM	450545	0704-7131	GM	5518
0704-6505	GM	416654!	0704-6787	GM	417484!	0704-6858	GM	470898	0704-7132	GM	5520
0704-6516	GM	416294!	0704-6788	GM	417491	0704-6859	GM	3492V	0704-7133	GM	5521
0704-6523	GM	456744N	0704-6789	GM	417507	0704-6861	GM	471141	0704-7134	GM	5527
0704-6527	GM	415034!	0704-6790	GM	417511	0704-6862	GM	7751H	0704-7135	GM	5531
0704-6530	GM	455134!	0704-6791	GM	417541	0704-6863	GM	471750	0704-7136	GM	5532
0704-6550	GM	417365	0704-6792	GM	417546!	0704-6864	GM	471554	0704-7137	GM	5537
0704-6554	GM	473407	0704-6793	GM	417555!	0704-6865	GM	40085S	0704-7138	GM	5538
0704-6557	GM	471539!	0704-6794	GM	417562	0704-6866	GM	471413	0704-7139	GM	6357S
0704-6560	GM	50224	0704-6795	GM	417600	0704-6868	GM	40494S	0704-7140	GM	6380

! Industrial Size/Type

= The U.S. customer service number is 877-4-TIMKEN. The Canadian customer service numbers are 800-565-4927 (English) and 800-565-0438 (French-Canadian).

NUMERICAL INTERCHANGE

Zero Duplication or Recommended Industrial		Zero Duplication or Recommended Industrial		Zero Duplication or Recommended Industrial		Zero Duplication or Recommended Industrial	
Mfr. No.	Name	Mfr. No.	Name	Mfr. No.	Name	Mfr. No.	Name
0704-7143	GM	6760S	0704-7250	GM	240716	0704-7335	GM
0704-7145	GM	7512SSO	0704-7251	GM	240949	0704-7336	GM
0704-7146	GM	8362	0704-7252	GM	311197	0704-7337	GM
0704-7147	GM	9555S	0704-7254	GM	471224!	0704-7338	GM
0704-7148	GM	9600S	0704-7255	GM	471264!	0704-7339	GM
0704-7149	GM	471760	0704-7256	GM	471442!	0704-7340	GM
0704-7150	GM	471763	0704-7257	GM	471649!	0704-7341	GM
0704-7153	GM	40568S	0704-7259	GM	472324!	0704-7342	GM
0704-7155	GM	471264	0704-7260	GM	473224!	0704-7343	GM
0704-7156	GM	471442	0704-7261	GM	323119	0704-7344	GM
0704-7157	GM	471466	0704-7262	GM	323126	0704-7345	GM
0704-7158	GM	42081S!	0704-7262	GM	474278	0704-7346	GM
0704-7159	GM	472311	0704-7264	GM	323133	0704-7347	GM
0704-7160	GM	42352S	0704-7265	GM	323138!	0704-7348	GM
0704-7161	GM	42421S	0704-7267	GM	327215	0704-7349	GM
0704-7162	GM	312518	0704-7267	GM	415035	0704-7350	GM
0704-7163	GM	43078S	0704-7269	GM	254270	0704-7351	GM
0704-7165	GM	43086S	0704-7270	GM	340771	0704-7352	GM
0704-7166	GM	43109S	0704-7272	GM	340835	0704-7353	GM
0704-7167	GM	417621!	0704-7274	GM	340849	0704-7354	GM
0704-7168	GM	45653S	0704-7275	GM	340853	0704-7355	GM
0704-7170	GM	46997S	0704-7276	GM	340930	0704-7356	GM
0704-7171	GM	47150S	0704-7277	GM	342517	0704-7357	GM
0704-7174	GM	50026	0704-7279	GM	342805	0704-7358	GM
0704-7175	GM	414045!	0704-7280	GM	253099	0704-7359	GM
0704-7176	GM	50126	0704-7281	GM	343105	0704-7360	GM
0704-7177	GM	50168	0704-7281	GM	7399S!	0704-7361	GM
0704-7178	GM	50209	0704-7282	GM	343115	0704-7362	GM
0704-7179	GM	50266	0704-7283	GM	343185	0704-7363	GM
0704-7180	GM	50327	0704-7284	GM	343186	0704-7364	GM
0704-7183	GM	330385!	0704-7285	GM	345448	0704-7365	GM
0704-7184	GM	352541	0704-7286	GM	347304	0704-7367	GM
0704-7185	GM	50402	0704-7288	GM	472311!	0704-7368	GM
0704-7186	GM	50405	0704-7289	GM	350877	0704-7369	GM
0704-7188	GM	50445	0704-7289	GM	471633!	0704-7370	GM
0704-7189	GM	50462	0704-7294	GM	471567!	0704-7371	GM
0704-7190	GM	50468	0704-7295	GM	471646!	0704-7372	GM
0704-7191	GM	480491	0704-7299	GM	472560N!	0704-7373	GM
0704-7193	GM	50528	0704-7300	GM	353132	0704-7374	GM
0704-7194	GM	50560	0704-7302	GM	353137	0704-7375	GM
0704-7196	GM	50631	0704-7302	GM	473424	0704-7376	GM
0704-7197	GM	50798	0704-7303	GM	353141!	0704-7377	GM
0704-7199	GM	51039	0704-7304	GM	471765!	0704-7378	GM
0704-7202	GM	411348!	0704-7306	GM	415991	0704-7379	GM
0704-7203	GM	55028	0704-7306	GM	455146!	0704-7380	GM
0704-7204	GM	55030	0704-7307	GM	355669	0704-7381	GM
0704-7205	GM	55078S	0704-7308	GM	355732	0704-7382	GM
0704-7207	GM	55103S	0704-7309	GM	365008	0704-7383	GM
0704-7208	GM	417563	0704-7310	GM	410102	0704-7384	GM
0704-7209	GM	55141	0704-7311	GM	410987!	0704-7385	GM
0704-7211	GM	55193=	0704-7313	GM	411245!	0704-7386	GM
0704-7212	GM	55236	0704-7314	GM	471737	0704-7387	GM
0704-7213	GM	55238	0704-7315	GM	411330!	0704-7388	GM
0704-7220	GM	55337	0704-7316	GM	410190	0704-7389	GM
0704-7222	GM	55353	0704-7317	GM	410694!	0704-7390	GM
0704-7227	GM	416153!	0704-7318	GM	410708	0704-7391	GM
0704-7232	GM	200642	0704-7319	GM	410752	0704-7392	GM
0704-7234	GM	471766	0704-7320	GM	410825	0704-7393	GM
0704-7235	GM	200752	0704-7321	GM	471337	0704-7394	GM
0704-7236	GM	200854	0704-7322	GM	411500	0704-7395	GM
0704-7237	GM	200856	0704-7323	GM	412040	0704-7396	GM
0704-7238	GM	200861	0704-7324	GM	412725	0704-7397	GM
0704-7240	GM	200885	0704-7325	GM	413246	0704-7398	GM
0704-7241	GM	203002	0704-7326	GM	413247!	0704-7399	GM
0704-7242	GM	204029	0704-7327	GM	413248	0704-7400	GM
0704-7242	GM	204507!	0704-7328	GM	413470!	0704-7401	GM
0704-7243	GM	204017	0704-7329	GM	413472	0704-7402	GM
0704-7244	GM	205004	0704-7330	GM	415007	0704-7403	GM
0704-7245	GM	205011	0704-7331	GM	415021	0704-7404	GM
0704-7246	GM	205035	0704-7332	GM	415023	0704-7405	GM
0704-7248	GM	240215	0704-7333	GM	415025	0704-7406	GM
0704-7249	GM	240457	0704-7334	GM	415034!	0704-7407	GM
0704-7335	GM	415041	0704-7408	GM	416297	0704-7408	GM
0704-7336	GM	415043	0704-7409	GM	416313	0704-7409	GM
0704-7337	GM	415045!	0704-7410	GM	416321	0704-7410	GM
0704-7338	GM	415052	0704-7411	GM	416327	0704-7411	GM
0704-7339	GM	415058	0704-7412	GM	416380!	0704-7412	GM
0704-7340	GM	415060	0704-7413	GM	416381	0704-7413	GM
0704-7341	GM	415064	0704-7414	GM	416383	0704-7414	GM
0704-7342	GM	415066	0704-7415	GM	416394	0704-7415	GM
0704-7343	GM	415072	0704-7416	GM	416404!	0704-7416	GM
0704-7344	GM	415074	0704-7417	GM	416444	0704-7417	GM
0704-7345	GM	415076	0704-7418	GM	416476!	0704-7418	GM
0704-7346	GM	415082	0704-7419	GM	416557	0704-7419	GM
0704-7347	GM	415085!	0704-7420	GM	416657	0704-7420	GM
0704-7348	GM	415088	0704-7421	GM	416664!	0704-7421	GM
0704-7349	GM	415138!	0704-7422	GM	416670	0704-7422	GM
0704-7350	GM	415142	0704-7423	GM	416706!	0704-7423	GM
0704-7351	GM	415150!	0704-7424	GM	416738!	0704-7424	GM
0704-7352	GM	415187	0704-7425	GM	416891!	0704-7425	GM
0704-7353	GM	415219	0704-7426	GM	416892!	0704-7426	GM
0704-7354	GM	415234!	0704-7427	GM	416919	0704-7427	GM
0704-7355	GM	415254	0704-7428	GM	416951	0704-7428	GM
0704-7356	GM	415259!	0704-7429	GM	416956	0704-7429	GM
0704-7357	GM	415263	0704-7430	GM	417016	0704-7430	GM
0704-7358	GM	415295	0704-7431	GM	417020	0704-7431	GM
0704-7359	GM	415303!	0704-7432	GM	417022	0704-7432	GM
0704-7360	GM	415317	0704-7433	GM	417040	0704-7433	GM
0704-7361	GM	415327	0704-7434	GM	417073	0704-7434	GM
0704-7362	GM	415350	0704-7435	GM	417079	0704-7435	GM
0704-7363	GM	415371	0704-7436	GM	417082	0704-7436	GM
0704-7364	GM	415389	0704-7437	GM	417115	0704-7437	GM
0704-7365	GM	415394	0704-7438	GM	417134	0704-7438	GM
0704-7367	GM	415447	0704-7439	GM	417158!	0704-7439	GM
0704-7368	GM	415482	0704-7440	GM	417172	0704-7440	GM
0704-7369	GM	415498	0704-7441	GM	417191	0704-7441	GM
0704-7370	GM	415559	0704-7442	GM	417198	0704-7442	GM
0704-7371	GM	417433!	0704-7443	GM	417205!	0704-7443	GM
0704-7372	GM	415577	0704-7444	GM	417210!	0704-7444	GM
0704-7373	GM	415683	0704-7445	GM	417211!	0704-7445	GM
0704-7374	GM	415711	0704-7446	GM	417223	0704-7446	GM
0704-7375	GM	415832	0704-7447	GM	417238	0704-7447	GM
0704-7376	GM	415854	0704-7448	GM	417247!	0704-7448	GM
0704-7377	GM	415871	0704-7449	GM	417252	0704-7449	GM
0704-7378	GM	415876	0704-7450	GM	417255	0704-7450	GM
0704-7379	GM	415897	0704-7451	GM	417258	0704-7451	GM
0704-7380	GM	415958	0704-7452	GM	417267	0704-7452	GM
0704-7381	GM	415983N!	0704-7453	GM	417273	0704-7453	GM
0704-7382	GM	416008	0704-7454	GM	417278	0704-7454	GM
0704-7383	GM	416024	0704-7456	GM	418028	0704-7456	GM
0704-7384	GM	416029N!	0704-7457	GM	417353!	0704-7457	GM
0704-7385	GM	416039	0704-7458	GM	417354!	0704-7458	GM
0704-7386	GM	416043	0704-7459	GM	417358	0704-7459	GM
0704-7387	GM	416044	0704-7460	GM	417359	0704-7460	GM
0704-7388	GM	416070	0704-7461	GM	417360	0704-7461	GM
0704-7389	GM	416071	0704-7462	GM	417361	0704-7462	GM
0704-7390	GM	416102	0704-7463	GM	417362!	0704-7463	GM
0704-7391	GM	416125!	0704-7464	GM	417363	0704-7464	GM
0704-7392	GM	416127	0704-7465	GM	417364	0704-7465	GM
0704-7393	GM	416135!	0704-7466	GM	417365	0704-7466	GM
0704-7394	GM	416144	0704-7467	GM	417366!	0704-7467	GM
0704-7395	GM	416147	0704-7468	GM	417474	0704-7468	GM
0704-7396	GM	416149	0704-7469	GM	417480!	0704-7469	GM
0704-7397	GM	416153!	0704-7470	GM	417485	0704-7470	GM
0704-7398	GM	416156	0704-7471	GM	417486	0704-7471	GM
0704-7399	GM	416163	0704-7472	GM	417492	0704-7472	GM
0704-7400	GM	416167!	0704-7473	GM	417494	0704-7473	GM
0704-7401	GM	416257	0704-7474	GM	417495	0704-7474	GM
0704-7402	GM	416268	0704-7475	GM	417496	0704-7475	GM
0704-7403	GM	416271!	0704-74				

OIL SEALS

0704-7481 – 0704-7780

Mfr. No.	Name	Zero Duplication or Recommended Industrial	Mfr. No.	Name	Zero Duplication or Recommended Industrial	Mfr. No.	Name	Zero Duplication or Recommended Industrial	Mfr. No.	Name	Zero Duplication or Recommended Industrial
0704-7481	GM	417502	0704-7556	GM	450430	0704-7634	GM	455576!	0704-7708	GM	471736
0704-7482	GM	417503	0704-7557	GM	450446	0704-7635	GM	455583N!	0704-7709	GM	471737
0704-7483	GM	417504	0704-7558	GM	450456!	0704-7636	GM	455592	0704-7710	GM	471762!
0704-7484	GM	417506	0704-7559	GM	450457	0704-7637	GM	455655!	0704-7711	GM	471795
0704-7485	GM	417509	0704-7560	GM	450467	0704-7638	GM	455661	0704-7712	GM	471795
0704-7486	GM	417513	0704-7561	GM	450472!	0704-7639	GM	455685	0704-7713	GM	471801!
0704-7487	GM	417516	0704-7562	GM	450474	0704-7640	GM	415725=	0704-7714	GM	471808!
0704-7488	GM	417518	0704-7563	GM	450492	0704-7641	GM	455820	0704-7715	GM	471818
0704-7490	GM	417522	0704-7564	GM	450503=	0704-7642	GM	455948	0704-7716	GM	471821!
0704-7491	GM	417530	0704-7565	GM	450516	0704-7643	GM	455966	0704-7717	GM	471827!
0704-7492	GM	417531	0704-7566	GM	450523	0704-7644	GM	3016	0704-7718	GM	471829
0704-7493	GM	417532	0704-7567	GM	450533	0704-7644	GM	456052	0704-7719	GM	471831!
0704-7494	GM	417533	0704-7568	GM	450535	0704-7645	GM	456105	0704-7720	GM	471833
0704-7495	GM	417534	0704-7568	GM	471264!	0704-7646	GM	456141	0704-7721	GM	471841
0704-7496	GM	417535	0704-7569	GM	450540	0704-7647	GM	456192	0704-7722	GM	473258
0704-7497	GM	417536	0704-7571	GM	450604	0704-7648	GM	456305	0704-7723	GM	471854!
0704-7498	GM	417537	0704-7572	GM	450621	0704-7649	GM	456462	0704-7724	GM	471862
0704-7499	GM	417538	0704-7573	GM	470645	0704-7650	GM	456464	0704-7725	GM	471866!
0704-7500	GM	417539!	0704-7574	GM	450666	0704-7651	GM	456890	0704-7726	GM	472016!
0704-7501	GM	417540	0704-7575	GM	450693	0704-7652	GM	457291	0704-7727	GM	472018
0704-7502	GM	417542	0704-7576	GM	450765!	0704-7653	GM	457294	0704-7728	GM	472020
0704-7503	GM	417543	0704-7577	GM	450803	0704-7654	GM	457295	0704-7729	GM	472029
0704-7504	GM	417544	0704-7578	GM	450808	0704-7656	GM	457585	0704-7730	GM	472070
0704-7505	GM	417545	0704-7579	GM	450819	0704-7658	GM	470050	0704-7731	GM	472082
0704-7506	GM	417547	0704-7580	GM	450869	0704-7659	GM	474264	0704-7733	GM	472150
0704-7507	GM	417548	0704-7581	GM	450965	0704-7660	GM	474265	0704-7734	GM	470380!
0704-7508	GM	417549!	0704-7582	GM	450984	0704-7661	GM	470086	0704-7734	GM	472189A!
0704-7509	GM	417550	0704-7584	GM	451078!	0704-7662	GM	470088	0704-7735	GM	472234
0704-7510	GM	417551	0704-7585	GM	451143	0704-7663	GM	473462	0704-7736	GM	472299
0704-7511	GM	417554!	0704-7587	GM	451469	0704-7664	GM	472193!	0704-7737	GM	472324!
0704-7512	GM	417556	0704-7588	GM	451583!	0704-7665	GM	470390	0704-7738	GM	472394
0704-7513	GM	417563	0704-7589	GM	451817	0704-7667	GM	470515	0704-7739	GM	472409!
0704-7514	GM	417564	0704-7591	GM	451948	0704-7668	GM	470530!	0704-7740	GM	474256
0704-7515	GM	417567	0704-7592	GM	452086	0704-7669	GM	474272	0704-7741	GM	472452
0704-7516	GM	417571	0704-7593	GM	452222!	0704-7670	GM	470565!	0704-7742	GM	471549!
0704-7517	GM	417584	0704-7594	GM	471619!	0704-7671	GM	470596	0704-7742	GM	472467
0704-7518	GM	417597	0704-7595	GM	453182	0704-7672	GM	470601	0704-7743	GM	472572!
0704-7519	GM	417598	0704-7596	GM	453279!	0704-7673	GM	470605!	0704-7744	GM	472636!
0704-7520	GM	417603!	0704-7597	GM	455008	0704-7674	GM	470687	0704-7745	GM	472644
0704-7521	GM	417605	0704-7598	GM	455020	0704-7675	GM	410737!	0704-7746	GM	471747!
0704-7522	GM	417606	0704-7600	GM	455026	0704-7676	GM	470774!	0704-7747	GM	473259
0704-7523	GM	417607	0704-7601	GM	415027	0704-7677	GM	471141!	0704-7748	GM	472705!
0704-7524	GM	417780	0704-7602	GM	455032!	0704-7678	GM	471193	0704-7749	GM	472826!
0704-7525	GM	412920	0704-7603	GM	455037	0704-7679	GM	471231!	0704-7750	GM	472843
0704-7527	GM	450039	0704-7604	GM	455056	0704-7680	GM	471255!	0704-7751	GM	472954
0704-7528	GM	450044	0704-7605	GM	455080	0704-7681	GM	471270!	0704-7752	GM	473157
0704-7529	GM	450054	0704-7606	GM	455121	0704-7682	GM	471344	0704-7753	GM	473179!
0704-7530	GM	450073	0704-7607	GM	455129	0704-7683	GM	471354!	0704-7754	GM	473210
0704-7531	GM	450089	0704-7608	GM	455136	0704-7684	GM	471407	0704-7755	GM	473213!
0704-7532	GM	450104	0704-7609	GM	455144	0704-7685	GM	471424!	0704-7756	GM	473225!
0704-7533	GM	450111	0704-7610	GM	455151	0704-7686	GM	481443!	0704-7757	GM	473226
0704-7534	GM	450133	0704-7611	GM	455189	0704-7687	GM	471498	0704-7758	GM	473228!
0704-7535	GM	450143	0704-7612	GM	455191	0704-7688	GM	471530	0704-7759	GM	473229!
0704-7536	GM	450147	0704-7613	GM	455203	0704-7689	GM	471532	0704-7760	GM	473230!
0704-7537	GM	450159	0704-7614	GM	455253	0704-7690	GM	471535!	0704-7761	GM	473235!
0704-7538	GM	450173	0704-7615	GM	455260	0704-7691	GM	471549!	0704-7762	GM	473237!
0704-7539	GM	450177	0704-7616	GM	455280	0704-7692	GM	471558	0704-7763	GM	473239!
0704-7540	GM	450260	0704-7617	GM	455290	0704-7693	GM	471579	0704-7764	GM	473242
0704-7541	GM	450269	0704-7618	GM	455297	0704-7694	GM	471612	0704-7765	GM	473243
0704-7542	GM	450273	0704-7619	GM	455311	0704-7695	GM	471633!	0704-7766	GM	473244!
0704-7543	GM	450274	0704-7620	GM	455328	0704-7696	GM	471643!	0704-7767	GM	473245!
0704-7544	GM	450275	0704-7621	GM	455330!	0704-7697	GM	471645	0704-7769	GM	473317
0704-7545	GM	450279	0704-7622	GM	455336	0704-7698	GM	471646!	0704-7771	GM	473405
0704-7546	GM	450280	0704-7623	GM	455396	0704-7699	GM	471648	0704-7772	GM	473406!
0704-7547	GM	450285	0704-7624	GM	455406!	0704-7700	GM	471686	0704-7773	GM	473407!
0704-7548	GM	450307	0704-7625	GM	455434	0704-7701	GM	471688	0704-7774	GM	473412
0704-7549	GM	450311	0704-7626	GM	455462	0704-7702	GM	471689!	0704-7775	GM	473413
0704-7551	GM	450332	0704-7627	GM	455471	0704-7703	GM	471684!	0704-7776	GM	473415
0704-7552	GM	450339	0704-7628	GM	455476	0704-7704	GM	471707N	0704-7777	GM	473419!
0704-7553	GM	450340	0704-7629	GM	455500	0704-7705	GM	471729	0704-7778	GM	473420
0704-7554	GM	450343	0704-7630	GM	455509	0704-7706	GM	471733	0704-7779	GM	473428
0704-7555	GM	450412	0704-7632	GM	455536	0704-7707	GM	471735	0704-7780	GM	473435

! Industrial Size/Type

= The U.S. customer service number is 877-4-TIMKEN. The Canadian customer service numbers are 800-565-4927 (English) and 800-565-0438 (French-Canadian).

NUMERICAL INTERCHANGE

Mfr. No.	Name	Zero Duplication or Recommended Industrial	Mfr. No.	Name	Zero Duplication or Recommended Industrial	Mfr. No.	Name	Zero Duplication or Recommended Industrial	Mfr. No.	Name	Zero Duplication or Recommended Industrial
0704-G898	GM	473179	07046390	GM	471785!	070HH132	DANA	415437!	075767	ALLCH	455820
0704-G899	GM	6808N	07046522	GM	415449!	070HH133	SPICE	370131A	07580	IH	350435
0704-G900	GM	43089S	07046543	GM	470506!	070HH133	SPICE	380131A	075978	ALLCH	471276
0704-G902	GM	415988	07046620	GM	417546!	070HH134	SPICE	370003A	075HMS12	C-R	330385!
0704-G903	GM	9568	07046749	GM	417596	070HH135	SPICE	370124A	0762-12209	LUP JN-MN	416102
0704-G907	GM	345146	07047187	GM	470409!	070HH136	DANA	456618	0762-17780	LDS JN-MN	417598
0704-G908	GM	481163!	07047187	GM	50409	070HH137	DANA	415958!	0762-5291	LUP JN-MN	416102
0704-G917	GM	473454	07047195	GM	470606!	070HH137	DANA	415958	0762-9360	LUP JN-MN	417598
0704-G922	GM	450084!	07047206	GM	473244!	070HH139	SPICE	415088	076243	GMC	471689!
0704-G925	GM	455267	07047206	GM	55087 =	070HH152	SPICE	370119A	076717	GMC	415458
0704-G928	GM	473427	07047225	GM	415442!	070HH152	VIC	370119A	076793	GMC	472179
0704-H287	GM	473422	07047225	GM	55442	070HH163	SPICE	473677	076960	ALLCH	6703S
0704-H575	GM	415991	07047231	GM	415857!	070HH171	DANA	472299	0775-10688	LPD JN-MN	455406!
0704-H577	GM	472644	07047258	GM	476838!	070HH187	SPICE	416865	0775-15527	LDS JN-MN	455406!
0704-H603	GM	472157	07047278	GM	312518!	0710144000	FREIG	471413!	0775-8941	LUP JN-MN	457299
0704-H604	GM	471652	07047278	GM	342518	071061VCY	TRSCM	240816	0775-8952	LUP JN-MN	455406!
0704-H614	GM	474278!	07047312	GM	410989	07109	JAC	472319	077934	GMC	416288!
0704-H648	GM	473235	07047312	GM	470989	071118SM	TRSCM	1049	078016	HYST	473459
0704-H678	GM	417158!	07047455	GM	417343!	07111SB	TRSCM	254270!	078133SB	TRSCM	481443!
0704-H724	GM	472299	07047526	GM	474273	07111VB	TRSCM	343185	078329	ALLCH	471689!
0704-H728	GM	203005!	07047570	GM	450557	07111VC	TRSCM	254270	078502	ALLCH	450400
0704-H728	GM	205005	07047570	GM	471255!	07111VC	TRSCM	343185	078593	ALLCH	416167!
0704-J015	GM	415725!	07047583	GM	471653!	0712-10379	LUP JN-MN	416239!	0787-10021	LUP JN-MN	455121
0704-J298	GM	446927!	07047666	GM	470487!	0712-12481	LUP JN-MN	416077	0787-18528	LUP JN-MN	200X230X15!
0704-J499	GM	470460	07047809	GM	415995!	07122SB	TRSCM	470954	0787-9832	LUP JN-MN	455397
0704-J744	GM	5133	07047823	GM	471195!	07122SB	TRSCM	470954!	0787-9886	LUP JN-MN	455121
0704-K492	GM	J1113	07047871	GM	99100	07122SC	TRSCM	470954	079276	ALLCH	6703S
0704-K555	GM	40208	07047871	GM	99101	07122TB	TRSCM	470954	079351	ALLCH	6863S!
0704-K652	GM	340826	07049881	GM	471466!	07122TB	TRSCM	470954!	079567	GMC	450084!
0704-K654	GM	351487	0704A196	GM	470954!	07122VTB	TRSCM	470954	079966	ALLCH	471267!
0704-K972	GM	330699!	0704A199	GM	471224!	07123TC	TRSCM	470954	0800-12929	LUP JN-MN	417601
0704-K986	GM	471272	0704A200	GM	472258!	0712B	GOODM	471570!	0800-14198	LUP JN-MN	417602!
0704-K988	GM	417621	0704A208	GM	470059	07132TB	TRSCM	480821!	0800-15076	LDS JN-MN	417602!
0704-M088	GM	474265!	0704A208	GM	470380!	07134SSTB	TRSCM	471554	0800-15199	LDS JN-MN	7131
0704-M139	GM	471554!	0704A219	GM	450165	07142SB	TRSCM	471567!	0800-16080	LDS JN-MN	415656
0704-M142	GM	6547	0704A219	GM	471801!	07142TB	TRSCM	471567!	0800-16311	LUP JN-MN	417602!
0704-M147	GM	204038	0704A221	GM	471619!	07143SB	TRSCM	481568!	0800-16525	LDS JN-MN	415052
07040808	GM	471646!	0704A222	GM	471787!	0714B	GOODM	470590	0800-17788	LDS JN-MN	417602!
07041102	GM	470004!	0704A236	GM	473227	07152TL	TRSCM	471498	0800-5609	LUP JN-MN	417602!
07041104	GM	471442!	0704B282	GM	471224!	071607B	HARWA	7X16X7	080011035	LUP JN-MN	417600
07041116	GM	471255!	0704B356	GM	471570!	07162TB	TRSCM	471643!	0803162	Y-T	411330!
07041254	GM	415234!	0704B358	GM	471750!	07172SB	TRSCM	471684!	080457	ALLCH	472164!
07041806	GM	471689!	0704B882	GM	416267!	071822SL	TRSCM	450033	080599	GMC	473236!
07041989	GM	472185!	0704C508	GM	471192	07182SB	TRSCM	470390	080609	GMC	473446
07041AB	CASE	417316!	0704D149	GM	450398	071947	ALLCH	455031!	08079	JAC	471539!
07042086	GM	357302	0704D149	GM	471267!	071947	ALLCH	455031!	080974	GMC	411253!
07042086	GM	415991	0704F097	GM	470530!	072035B	TRSCM	472649	08111VB	TRSCM	240733
07042110	GM	471795	0704F819	GM	470712!	072207A	HARWA	7X22X7	081121SZ	TRSCM	471539
07042356	GM	451583!	0704F832	GM	450593!	0725-12094	LUP JN-MN	416044	081133SB	TRSCM	353131
07042492	GM	350974!	0704F949	GM	450765!	0725-18709	LPD JN-MN	415116	081134SA	TRSCM	471231!
07042870	GM	323138!	0704F949	GM	50421	0725-8951	LUP JN-MN	415116	081142TL	TRSCM	474253
07042873	GM	450129	0704G164	GM	473238	07329AB	CASE	417211!	081162TB	TRSCM	471645
07042873	GM	472826!	0704G164	GM	50082	073526	AUTOZ	TCS45639-2	081162VSB	TRSCM	471645!
07042962	GM	450375!	0704G803	GM	450593!	073545	AUTOZ	TCS45718	081172SB	TRSCM	471686
07042962	GM	6936S!	0704G803	GM	450593!	073666	AUTOZ	TCS45958	0812-10347	LUP JN-MN	455123
07042962	GM	9845	0704G810	GM	473462!	073784	AUTOZ	BS40387	0812-10700	LPD JN-MN	455123
07043020	GM	471195!	0704G815	GM	473231	073849	AUTOZ	BS40652	08121SB	TRSCM	254287!
07043236	GM	471472!	0704G906	GM	470764!	074065	EATON	410686N	08121VB	TRSCM	7840S
07043320	GM	471652	0704G906	GM	50764	07412M1	C-R	330385!	081241VL	TRSCM	5976S
07043324	GM	474276!	0704H249	GM	417487	07412T8	C-R	330385!	081280	GMC	472397!
07043335	GM	473236	0704H602	GM	471750!	07424BX	CASE	450984	0812B	GOODM	471224!
07043384	GM	471551!	0704H602	GM	50150	074961	ALLCH	412040	081302VL	TRSCM	34043
07043635	GM	471466	0705019	THIOK	415263	074962	ALLCH	470898!	08131VM	TRSCM	440131!
07044232	GM	471765!	0708-18440	LUP JN-MN	180X210X15	0750-10096	LPD JN-MN	415551	08132SB	TRSCM	471267!
07044352	GM	455079!	0709-7918	GM	99424	0750-10099	LUP JN-MN	415551	08132SB	TRSCM	471267!
07044352	GM	55079	07091VM	TRSCM	240735	0750-11693	LUP JN-MN	415867	08132TB	TRSCM	471267
07044880	GM	50199S!	07091VM	TRSCM	312518!	0750-15015	LPD JN-MN	415551	08132TBY	TRSCM	471267!
07044880	GM	6863S!	070HH104	SPICE	473228!	0750-9973	LUP JN-MN	415867	081369	GMC	472179
07045479	GM	471267!	070HH111	DANA	5865	07512M1	C-R	330385!	081370	GMC	415449!
07045707	GM	415029	070HH114	SPICE	477163N	075132TB	TRSCM	471554!	08142SB	TRSCM	471570!
07045707	GM	416125!	070HH120	DANA	416556!	075132TB	TRSCM	471554	08142SB	TRSCM	471570
07046084	GM	474255	070HH132	DANA	415437	075492	GMC	417082	08142TB	TRSCM	471570!

! Industrial Size/Type

= The U.S. customer service number is 877-4-TIMKEN. The Canadian customer service numbers are 800-565-4927 (English) and 800-565-0438 (French-Canadian).

NUMERICAL INTERCHANGE

Mfr. No.	Name	Zero Duplication or Recommended Industrial	Mfr. No.	Name	Zero Duplication or Recommended Industrial	Mfr. No.	Name	Zero Duplication or Recommended Industrial	Mfr. No.	Name	Zero Duplication or Recommended Industrial
0814477	O-M	472475	09074AB1	CASE	240736	0928344007	SUZUK	44X62X8!	1-88AX253	MACK	417546!
08152SB	TRSCM	350877	091023	FRUEH	417172	0928350002	SUZUK	1948	1-C193	NOVO	473016!
08153TC	TRSCM	471570	0911045	ADAMS	472164!	09284-45001	SUZUK	710193	1-C198	NOVO	50075=
0815B	GOODM	471733	0911046	ADAMS	472018	09284365	ALLCH	415854	1-C199	NOVO	471821!
081607A	HARWA	8X16X7	0911047	ADAMS	417349	09285-00002	SUZUK	710330	1-CW109	NOVO	415995!
081626	GMC	416654	0911105	ADAMS	417349	09286-64001	SUZUK	710256	1-EC-0424	WHITE	415437
08162TB	TRSCM	471646!	0912-9891LUP	JN-MN	55532=	09286-75001	SUZUK	710240	1-ES12699	ROCKW	415449!
08172TB	TRSCM	470590	09142TB	TRSCM	472324!	09289-48004	SUZUK	710255	1-ES12783	ROCKW	415995!
0817348LPD	JN-MN	474253	09142VSB	TRSCM	472324	092895	CATER	412473!	1-ES13359	ROCKW	416888!
08182SB	TRSCM	471730	09143SA	TRSCM	451583!	092926	HI-EQ	471766!	1-ES13360	ROCKW	417533
082025	L&N	240385	09143SB	TRSCM	451583!	093132SB	TRSCM	471015!	1-ES13362	ROCKW	415035!
082026	L&N	240462	09162SB	TRSCM	471648	093132TB	TRSCM	340787	1-ES13362	ROCKW	415035
082179	ALLCH	200640	0916B	GOODM	471763	093132TB	TRSCM	471015!	1-ES13363	ROCKW	417504
082207A	HARWA	8X22X7!	09172SB	TRSCM	471688	093132TB	TRSCM	51015	1-ES13406	ROCKW	417621!
082207A	HARWA	9X22X7!	09181WPB	TRSCM	240457	093162SB	TRSCM	471647	1-ES13802	ROCKW	416865!
082407A	HARWA	8X24X7	09203SB	TRSCM	482310	093172SB	TRSCM	474252!	1-ES14393	ROCKW	415138!
0825-12149LUP	JN-MN	415124	092407A	HARWA	9X24X7	0933971	ALLCH	470898	1-ES14801	ROCKW	417354!
083011	GMC	417316!	0925-10252LPD	JN-MN	415219	09345AB	CASE	417344!	1-ES15068	ROCKW	415138!
08319	JAC	340787	0925-12831STLPD	JN-MN	415219	09368AB	CASE	471579	1-ES15112	ROCKW	417196!
083917	GMC	473367!	0925-16306LDS	JN-MN	415219	0937-8823LPD	JN-MN	415871	1-ES15113	ROCKW	417181!
083917	GMC	473367	0925-17020LDS	JN-MN	415219	09372	JAC	240733	1-ES16007	ROCKW	415351!
084-409-189B	AUDI	1188	092607A	HARWA	9X26X7	093801	CATER	J1137=	1-ES16098	ROCKW	473475
084-409-189B	VW	1188	09262	NAK	90X115X12	093917	GMC	473367!	1-ES16325	ROCKW	416865!
08406294	BL-KN	472070	09282-35002	SUZUK	223540	093917	GMC	473367	1-ES16652	ROCKW	481073
08447	JAC	471466	09282-48003	SUZUK	224820	09391AB	CASE	450621	1-ES17764	ROCKW	416654!
08447A	JAC	471466!	09283-15002	SUZUK	221510	0940661990	CLIN	470601	1-ES1851	ROCKW	415035
0850-10371LUP	JN-MN	417603!	09283-20028	VILA	710342	09439	NAK	32X58X8!	1-ES18511	ROCKW	415035
0850-15024LDS	JN-MN	416394	09283-20040	SUZUK	222030	09487	NAK	78X105X10	1-ES18576	ROCKW	471267!
0850-8835LUP	JN-MN	417604	09283-26010	SUZUK	222630	0950-16986LDS	JN-MN	417606	1-ES18612	ROCKW	415995!
0850-8954LUP	JN-MN	417604	09283-26016	SUZUK	222630	0950-8824LUP	JN-MN	417606	1-ES20176	ROCKW	471570!
08510	JAC	470954!	09283-28010	SUZUK	222860	09504CH	CASE	472287!	1-JG1	KEN	40468
08546HT	CASE	200354	09283-32009	SUZUK	710306	0950909	ITM	35316	1-JG10	KEN	412027
08583AB	CASE	415458!	09283-32016	SUZUK	710310	0950950	ITM	35315	1-JG2	KEN	472164!
085922	AUTOZ	35001	09283-32016	VILA	710310	0951585	ITM	35292	1-JG3	KEN	416130!
0862-12441LPD	JN-MN	417567	09283-32022	SUZUK	3476	09516AB	CASE	473475	1-JG4	KEN	6638S
087111VZ	TRSCM	340850	09283-32022	SUZUK	710310	0952009	ITM	25598	1-JG5	KEN	7866S
08712M1	C-R	350156	09283-32023	SUZUK	471413!	0952515	ITM	35127	1-JG6	KEN	416654!
08712M1	C-R	473096!	09283-32026	SUZUK	710310	095321243	VW	225110	1-JG8	KEN	475348N
08714M1	C-R	472810!	09283-32038	SUZUK	710310	095321243D	VW	225110	1-JG9	KEN	416288
08719	JAC	471224!	09283-32040	SUZUK	710310	095580	ALLCH	417269!	1-SPC22A	NOVO	471570!
08721	NAK	85X125X12	09283-32042	SUZUK	710310	0956034	ITM	35094	1.5G18061	NATEN	417433
08731	JAC	472311!	09283-35008	SUZUK	223553	095984	GMC	416654	10 BL-KN		415035!
0875-13789LUP	JN-MN	415128	09283-35020	SUZUK	1170	0961845B	TRSCM	450040	1-JG1	BL-KN	415035
0875-16179STLUP	JN-MN	455966	09283-35025	SUZUK	223552	0962-15171LDS	JN-MN	416381	10-51	DEXTR	370150A
08754AB	CASE	455566	09283-35037	SUZUK	223552	096759	ALLCH	417362!	10-56	DEXTR	417172
08759AB	CASE	455566	09283-35037	SUZUK	34X62X10	096760	ALLCH	471271!	10-EJR20	MACK	472560N!
08811	JAC	471571	09283-40013	SUZUK	350572	096761	ALLCH	472164!	100	UNIVE	471689!
088311113C	AUDI	222540	09283-40022	SUZUK	710523	09708AB	CASE	415458!	1000	UNIVE	417020
088311113C	AUDI	25X40X7!	09283-40027	SUZUK	710523	09709AB	CASE	415138!	1000-044-003	WARNR	4143
08848	NAK	15X40X7	09283-42003	SUZUK	224200	097127	ALLCH	471224!	1000-044-015	WARNR	9613S
088645	GMC	450167	09283-42005	SUZUK	224200	097342	ALLCH	415196!	1000-044-046	WARNR	473237
088645	GMC	471801!	09283-42008	SUZUK	224200	0975-13809LUP	JN-MN	55078S	1000-044-048	WARNR	4141
0887-10333LUP	JN-MN	416657	09283-44006	SUZUK	224462	0975-14832STLPD	JN-MN	55239=	1000-044-051	WARNR	4141
0887-13436LPD	JN-MN	455129	09283-44009	SUZUK	224462	0980912	ITM	TCS45873-1	1000-044-052	WARNR	4143
0887-8943LPD	JN-MN	455129	09283-45011	SUZUK	710521	0981000	ITM	TCS45719	1000-044-054	WARNR	473237
0887-9292LPD	JN-MN	416657	09283-48003	SUZUK	224820	098348007	SUZUK	224820	1000-16365LUP	JN-MN	417020
089-409-529A	VW	239146	09283-48007	SUZUK	224820	098657	AUTOZ	16315	1000-17846LDS	JN-MN	417020
08994AB1	CASE	415001!	09283-49002	SUZUK	4904	0987-7340LUP	JN-MN	55224*=	1000-9830LUP	JN-MN	417605
0900-11552LPD	JN-MN	55301S	09283-50001	SUZUK	1948	0987501	ITM	TCS45472	100001CA	SPG	710072
0900-14490LDS	JN-MN	455462	09283-53001	SUZUK	710175	09912M1	C-R	471103!	100002CA0	SPG	710073
0900-16554LUP	JN-MN	455476*	09283-54001	SUZUK	710239	09914M1	C-R	6863S!	1000044053	WARNR	472572
0900-8819LUP	JN-MN	415090	09283-56002	SUZUK	710393	09914Q6	C-R	6863S!	1000057M1	MASSE	472311!
0900-8868LUP	JN-MN	455462	09283-60003	SUZUK	710333	09916M1	C-R	471442!	100007	SPG	8610
0900-8948LUP	JN-MN	415090	09283-60005	SUZUK	710333	099593	GMC	470059	100008CA	SPG	225275
090148	LOKWD	340817	09283-68001	SUZUK	710334	099593	GMC	470380!	100011CA	SPG	1937
090190	LOKWD	472258!	09283-68002	SUZUK	710334	099856	ALLCH	240023	10001200	UNIVE	417020
09020AB	CASE	415449!	09283-98001	SUZUK	710520	0B443	HART	481537	100013CA	SPG	1938
0904021	ADAMS	415483!	0928320028	SUZUK	222075	0CB521	CLSTL	480630!	100014CA	SPG	1939
0906006	ADAMS	415458!	0928320028	SUZUK	710342	0E1557B	FUNK	416888	100018CA	SPG	225673
0906027	ADAMS	472164!	0928335024	SUZUK	223552	0N307	CATER	415303!	100020CA	SPG	1943
0906035	ADAMS	417171!	0928340009	SUZUK	1213N	0S18891	SKF	9316	100021	MC-CL	471224!
090655	ALLCH	471224!	0928344007	SUZUK	224462	0T265A	MINNM	417238	100021	SCOT	471224!

! Industrial Size/Type * Minor Width Difference

= The U.S. customer service number is 877-4-TIMKEN. The Canadian customer service numbers are 800-565-4927 (English) and 800-565-0438 (French-Canadian).

Mfr. No.	Name	Zero Duplication or Recommended Industrial	Mfr. No.	Name	Zero Duplication or Recommended Industrial	Mfr. No.	Name	Zero Duplication or Recommended Industrial	Mfr. No.	Name	Zero Duplication or Recommended Industrial
100022CA	SPG	1205	10017172	GMC	3698	10041	C-R	450593!	10062LPD	JN-MN	417596
100022CA	SPG	1205N	100175	MICH	471689!	100412	VICK	200354	10062LUP	JN-MN	417596
1000233	C-R	457096V*	100175	UNIVE	471689!	100412VGR	SPG	5370	10063	DEXTR	370219A
10002406	TROS	471103!	100176	MC-CL	450159	100414	CLARK	345146	10063LPD	JN-MN	416364!
1000243	C-R	457096V*	10017LPD	JN-MN	417546!*	100419	CLARK	40316S	10063LUP	JN-MN	416364!
10002804	TROS	6863S!	10017LUP	JN-MN	417546!	1004416M1	MASSE	471264	100641SSR	SPG	100641
10002805	TROS	50199S!	10018	C-R	472705!	1004418M1	MASSE	240119	10065600	GMC	4307V!
10002805	TROS	6863S!	1001816M1	MASSE	471554!	10044LPD	JN-MN	416706!	10065600	GMC	5273
10002806	TROS	50199S!	100182	UNIVE	450593!	10044LUP	JN-MN	416706!	100658HA	SPG	228480
10002806	TROS	6863S!	100182TB	TRSCM	450593!	100452BX	SPG	100452	100658HA1	SPG	228480
10003204	TROS	471442!	100183	MICH	450593!	10046337	GMC	5778	10065LPD	JN-MN	415303!
10003205	TROS	471442!	1001837	MASSE	471649!	100469BX	SPG	100469	10065LUP	JN-MN	415303!
10003206	TROS	471442!	10018632	GMC	3698	10047	C-R	450593* =	10066	C-R	450593!
100034BXO	SPG	100034	100187	MICH	471733	100471BX	SPG	100471	10066	C-R	450593
10003604	TROS	472705!	100187	UNIVE	471733	1004790	KELSE	253099	100664SS	SPG	9599S
10003606	TROS	472705!	10019	BU-SP	415138!	1004899M1	MASSE	472560N	100667	CLARK	473473
100040	C-R	417605	10019	C-R	471689	10049	C-R	450593!	10067	C-R	450593!
10004004	TROS	351487	100190VAR	SPG	100190	10049	C-R	450593	10067	C-R	450593
100041	C-R	417605	1001938M1	MASSE	353132	10049	SPG	471750!	10067	SPG	473228!
100042	C-R	417605*	100196BX	SPG	100196	100490BX	SPG	100490	100675VA8	SPG	100675
100044	C-R	456483* =	100198	MICH	471744!	1004911	ALLCH	471267!	100675VA8	SPG	719316
10004460	FIAT	223035	100198	UNIVE	471744!*	100496	MC-CL	471267!	1006864	ALLCH	415196 =
100044HA	IH	340787	100199TD	SPG	100199	100497V	SPG	710452	100696VJ8	SPG	100696
100045	C-R	417020	100200	MICH	471760	10050	C-R	450593!	1007+2007	STEM	416865
10004802	TROS	240735	100200	UNIVE	471760	10050	C-R	450593	1007+2096	STEM	416865
10004LPD	JN-MN	417344!	1002021	WITTE	473467!	10050LPD	JN-MN	415458!	1007+320-2007	STEM	416865
10004LUP	JN-MN	417344!	100202SB	TRSCM	471619!	10050LUP	JN-MN	415458!	10070	SPG	472185!
10005	SPG	471526!	100206	MICH	471619!	100518BX	SPG	100518	100700	CLARK	472015!
100050	C-R	417020	100206	UNIVE	471619!	10052	CLARK	416956	10070R	IH	412119!
1000503M1	MASSE	471466!	10021	C-R	471689!	100522	CLARK	415449!	10070SB	SPG	472185!
100051	C-R	417020	10021LPD	JN-MN	455121	10053	C-R	450593!	100712VJ8	SPG	100712V
10005175	GMC	3698	10021LUP	JN-MN	455121	10053	C-R	450593	100713VA8	SPG	100713V
10005176	SELAS	3698	10022	AMC	450033	10053LPD	JN-MN	450165	100715VJ8	SPG	100715V
1000549M1	MASSE	471224!	10023	C-R	471689!	10053LPD	JN-MN	471801!	10071S	SPG	472439
1000580	C-R	417020	10024A3	DIA	5481\$	10053LUP	JN-MN	450165	1007240M1	MASSE	408
100066R91	IH	416654	100251CA	SPG	3357	10053LUP	JN-MN	471801!	100725RRR8	SPG	9316
100067BX	SPG	100067	10026	FITZ	472082	10054	C-R	450593!	100736BXR	SPG	100736
100075	C-R	417020	100269	CLARK	473234	10054	C-R	450593	10073LPD	JN-MN	416556!
10008	C-R	471689	10027	C-R	204005	10054563	GMC	331210V	10073LPD	JN-MN	472157
100080014.5	TROS	417602!	10030	C-R	203005!	10054563	GMC	5210	10073LUP	JN-MN	416556!
100098	CUMMI	481397	10030-D2	REO	370007A	10054LUP	JN-MN	473234!	10073LUP	JN-MN	472157
1000A80012	TROS	417602!	10030501	WITTE	473467!	100550VJ8	SPG	719316	10075	C-R	471733
1001159B	HARWA	100X115X9	10031	C-R	204005	10055LPD	JN-MN	470625!	10075	UNIVE	471689!
100115R91	IH	471224!	100310BX	SPG	100310	10055LUP	JN-MN	470625!	10077	C-R	471733*
10012	C-R	471103!	1003344	ALLCH	415145N =	100564	MC-CL	481443!	10078	C-R	471733*
1001206TA	TRSCM	417020	10033593	GMC	224255*	100566VA	SPG	100566	10079	C-R	471733
100120R	CASE	473414	10033594	GMC	710179	10057	C-R	240457*	1007A3	WHITE	412119!
10012M1	C-R	471103!	10034	C-R	203005!	10057LPD	JN-MN	416339	1007VB7	MARI	415227!
100130	CLARK	55646 =	10034	C-R	205005	10057LPD	JN-MN	455031!	1008	BUSHH	471984
10014	C-R	6863S!	10034D5	DIA	415458!	10057LUP	JN-MN	416339	1008	SPG	473010!
10014013A	HARWA	100X140X13	10034R	IH	471785!	10057LUP	JN-MN	455031!	1008	UNIVE	415227!
100141BX	SPG	100141	10035	C-R	204005	100584	MC-CL	481443!	1008+2018	STEM	417134
100142BX	SPG	100263	100353	GMC	471750!	100586	CLARK	450129	1008+2105	STEM	370054A
100142SB	TRSCM	472311!	100355BX	SPG	100355	100586	CLARK	472826!	1008+2164	STEM	370150A
100142SB	TRSCM	472311!	100356BX	SPG	100557	100587	CLARK	451469	1008+320-2018	STEM	417134
100142SC	TRSCM	472311!	10035741	GMC	425RR	10058LPD	JN-MN	471766!	1008+320-2105	STEM	370054A
100142TC	TRSCM	472311!	10035LPD	JN-MN	473232!	10058LUP	JN-MN	471766!	1008+320-2164	STEM	370150A
10014CP	C-R	6863S!	10035LUP	JN-MN	473232!	100593BG	SPG	100593	10081225	UNIVE	415750
10015	C-R	320457	10036286	GMC	9845	100598	CLARK	45187S	10082	C-R	471733
100150	MICH	471224!	100362CA	SPG	1974	10059S	NATL	410059	10083	SPG	472924!
100154BX	SPG	100154	100365CA	SPG	1932	10059S	NATL	470380!	10085	SPG	470530!
10016	C-R	471442!	100366CA	SPG	710166	10059S	SPG	410059	100855301	EATON	HU009A
100162	MICH	471649!	10036788	GMC	3698	10059S	SPG	470380!	100855302	EATON	HU009A
100162	UNIVE	471649!	10036LPD	JN-MN	455079!*	10059SS	JN-MN	353132	100858201	EATON	370001A
100162SLD	MICH	471649!	10036LUP	JN-MN	455079!	10060	C-R	240457*	100858201	EATON	380001A
100166VD	SPG	415995	10037A	C-R	412473!	1006050	WITTE	340771	100858401	EATON	370001A
10016M1	C-R	471442!	100383TX	SPG	100383	100608X	SPG	100400V	100858401	EATON	380001A
10016Q6	C-R	471442!	100383TXA	SPG	100383	10060LPD	JN-MN	473010!	100859	CUMMI	472705!
10016T3	C-R	471442!	100384TX	SPG	100384	10060LUP	JN-MN	473010!	10085NA	SPG	470530
100170	MC-CL	350435	1004	UNIVE	417570	100610BG	SPG	100610	10087LPD	JN-MN	416921!
1001706	WITTE	470530!	10040	C-R	450593!	10062	SPG	474264	10087LUP	JN-MN	416921!
100171	MC-CL	471192	100408	READY	471763	100624VJ8	SPG	4525V	10088158	GMC	4359V

! Industrial Size/Type * Minor Width Difference \$F-M Number Is Part Of A Kit
 = The U.S. customer service number is 877-4-TIMKEN. The Canadian customer service numbers are 800-565-4927 (English) and 800-565-0438 (French-Canadian).

NUMERICAL INTERCHANGE

Mfr. No.	Name	Zero Duplication or Recommended Industrial	Mfr. No.	Name	Zero Duplication or Recommended Industrial	Mfr. No.	Name	Zero Duplication or Recommended Industrial	Mfr. No.	Name	Zero Duplication or Recommended Industrial
10088158	GMC	5274	10112663	GMC	7457N*	1013+320-2109	STEM	370349A	10160	C-R	471619!
100884	C-R	455123	10114	C-R	471744!	1013+320-2109	STEM	380036A	10160	C-R	471619
1008VB7	MARI	415227!	101147	CLARK	473228	101300	MC-CL	340787	10161	C-R	471619
1009+2043	STEM	370015A	10115	C-R	471744!	101303	MC-CL	450545	10161	C-R	471619!
1009+2181	STEM	370015A	10115	SPG	473467!	101305	MC-CL	471267!	10161250	UNIVE	415227!
1009+320-2043	STEM	370015A	101151	CLARK	473367!	101306	MC-CL	340817	10162	C-R	471619
1009+320-2181	STEM	370015A	10115744	GMC	4307V!	10131	C-R	471760	10162	C-R	471619!
100927	HK-SY	8907	10116	C-R	471744!*	101311VL	TRSCM	342517	10162	SPG	471765!
100944	CLARK	416271!	101162	UNIVE	481650	101314	WHITE	370007A	10162078	GMC	474241V!
10096	C-R	471733	10117	C-R	471744!*	1013166M1	MASSE	473459	10162SB	TRSCM	471649!
10096LPD	JN-MN	415551	10117728	GMC	3543	1013166M2	MASSE	473459	10162TB	TRSCM	471649!
10096LUP	JN-MN	415551	10117848	GMC	9613S	10132	SPG	412920!	10163	C-R	471619!
10097	CLARK	472015!	101180	CUMMI	471984	10132LPD	JN-MN	415371	10163	C-R	471619
100971	GMC	6846S=	101181	CUMMI	473229	10132LUP	JN-MN	415371	10163SA	SPG	471766!
10097LPD	JN-MN	417344!	101191	GMC	416239!	10132SB	TRSCM	252277	10163SM	TRSCM	471651
10097LUP	JN-MN	417344!	1011J-1	OSHKO	415035	10132SB	TRSCM	441130!	10164LPD	JN-MN	412473!
10099LPD	JN-MN	415551	1011J-1	OSHKO	415035!	10132TBY	TRSCM	252277	10164LUP	JN-MN	412473!
10099LUP	JN-MN	415551	1012	BR-WN	472560N!	10133	C-R	471760	10164SSTM	TRSCM	471649
10099P	IH	473447	1012	UNIVE	55228=	101342	HU-WR	415036	10164T2	DIA	415995!
100A03604	TROS	472705!	1012+2016	STEM	417505	10135	SPG	471192	10164T2	WHITE	415995!
100B02806	TROS	50199S!	1012+320-2010	STEM	370033A	101362	AM WH	415035	10165LPD	JN-MN	415303!*
100B02806	TROS	6863S!	1012+320-2012	STEM	370023A	101362	AM WH	415035!	10165LUP	JN-MN	415303!
100E1190	FORD	1070=	1012+320-2012	STEM	380023A	101366	MC-CL	473425	101678A	WHITE	473517!
100E7657	FORD	2551	1012+320-2016	STEM	417505	101367	MC-CL	472164!	101679A	OLIVE	417349
100F16	C-R	471442!	10120	C-R	471760*	101368	MC-CL	473425	101679A	WHITE	417349!
100FM16	C-R	471442!	10120	SPG	471224!	10136S	SPG	470625!	10167T2	WHITE	417181!
100HMS16Q6	C-R	6863S!	10120LPD	JN-MN	412040	1014+2014	STEM	370030A	101685	HU-WR	415379!
100ML16Q6	C-R	471442!	10120LUP	JN-MN	412040	1014+2117	STEM	370030A	101685	HU-WR	415379
100W2	REO	HU024A	10121	C-R	471760*	1014+320-2014	STEM	370030A	10168582	GMC	4359V
100X115X9	SIMRT	100X115X9	1012141M1	MASSE	204002	1014+320-2117	STEM	370030A	101687	EATON	927112
100X120X10AN	ISP	100X120X10	101216	CLARK	416921!	10140533	GMC	223520!	10169	ALLCH	472157!
100X120X10AN(35)	ISP	100X120X10	101216	MIXMO	416921!	10140538	GMC	4333N	10169	ALLCH	472157
100X120X12SC	TRSCM	100X120X12	10121LPD	JN-MN	415449!	10141	SPG	470954!	10169	TRAC	472157!
100X120X12TC	TRSCM	100X120X12	10121LUP	JN-MN	415449!	10141VB	TRSCM	471224	10169	TRAC	472157
100X125X12SC	TRSCM	100X125X12	10121VM	TRSCM	240731	10142LPD	JN-MN	416297	101691A	OLIVE	472258!
100X125X12TC	TRSCM	100X125X12	1012219M1	MASSE	471750!	10142TB	TRSCM	471224!	101691A	WHITE	472258!
100X130X12SC	TRSCM	100X130X12!	1012253-5	MC-CL	340797	10142TBY	TRSCM	471224	1016B	GOODM	471766!
100X130X12TC	TRSCM	100X130X12!	101225E	MC-CL	340797	10142TBY	TRSCM	471224!	1017+2017	STEM	418028
100X140X13	SIMRT	100X140X13	10123	C-R	471760	10142VTB	TRSCM	471224!	1017+320-2017	STEM	418028
100Z16	C-R	471442!	10124	C-R	471760	101443	ALFAR	713005	10171	C-R	222630
101	UNIVE	471735	101246	MC-CL	330385	101448	CLARK	417351!	10171	C-R	26X38X5!
1010	DEXTR	413470!	1012461	MC-CL	330385	10145	C-R	471760*	10171	GIW	415035!
1010+2031	STEM	370013A	10125	C-R	471760	1014734	CINMI	472185!	10171	GIW	415035
1010+2046	STEM	370013A	10125	UNIVE	50445	10149	C-R	471760	101712A	WHITE	311189
1010+320-2031	STEM	370013A	101255	CLARK	415458!	101497	CLARK	471766!	1017293M1	MASSE	240356
1010+320-2046	STEM	370013A	10126	C-R	471760	1014RING+320-2014	STEM	370030A	10172LPD	JN-MN	470625!
10100	C-R	471733	101260	SPERY	473462	1015	FMS	1015N	10172LUP	JN-MN	470625!
10100LPD	JN-MN	417433	101277	TW-CO	450165	10151LPD	JN-MN	417546!	10172TB	TRSCM	471689!
10100LUP	JN-MN	417433!	101277	TW-CO	471801!	10151LUP	JN-MN	417546!	10172TBY	TRSCM	471689!
10101	SPG	412119!	10128	C-R	471760	1015243M1	MASSE	203025	10172VAY	TRSCM	471689
10101164	GMC	2261	10128317	GMC	324234V	10152LPD	JN-MN	417556	10172VTB	TRSCM	471689!
10104	C-R	50462*	101285	TW-CO	450165	10152LUP	JN-MN	417556	10173	C-R	222630
101044	MC-CL	450545	101285	TW-CO	471801!	10152VB	TRSCM	471270!	10173	C-R	26X38X5!
101045	MC-CL	470506!	10129	C-R	471760	10153	C-R	471760	101732	FR-HT	41013S
10108	C-R	240462*	10129	SPG	472826!	101533	BU-SP	415379	101736	FORD	471192
101082	COOK	456618	101295C1	IH	473231!	101533	BU-SP	415379!	10173SA	TRSCM	471689
101083	WHELA	416891!	10129LPD	JN-MN	417493	10153SA	TRSCM	471076	10173TB	TRSCM	471744!
10108477	GMC	4359V	10129LUP	JN-MN	417493	10153SA	TRSCM	471076!	10174VB	TRSCM	203005!
101097	ALFAR	713008	1012N	SPG	45X62X8	10154LUP	JN-MN	456641*	10174VB	TRSCM	205005
1011	SPG	471192	1013	SPG	472492!	10155	C-R	471760	10174VHY	TRSCM	204005
1011004M1	MASSE	471224!	1013+2003	STEM	370036A	10155TA	TRSCM	471224	10176T2	WHITE	240735
1011035	WOOL	415960!	1013+2013	STEM	370036A	10156	C-R	471760	10177	C-R	26X37X7
1011056	DURA	473236!	1013+2013	STEM	370349A	10156051	GMC	4307V!	101773TA	TRSCM	471689
1011057	DURA	473197	1013+2013	STEM	380036A	10157	C-R	472138*	101779	HU-WR	471692!
10110LPD	JN-MN	415559*	1013+2109	STEM	370036A	101572TB	TRSCM	473380	10178	C-R	471516
10110LUP	JN-MN	415559	1013+2109	STEM	370349A	10158	C-R	471619!	1017B	GOODM	471795
101116A	OLIVE	340413	1013+2109	STEM	380036A	101584	MC-CL	340797	1018+2016	STEM	417506
10111769	GMC	9845	1013+320-2003	STEM	370036A	10159	C-R	471619!	1018+2029	STEM	370008A
10111LPD	JN-MN	471862*	1013+320-2003	STEM	370349A	10159	C-R	471619	1018+2104	STEM	417506
10111LUP	JN-MN	471862	1013+320-2003	STEM	380036A	101590	CLARK	415036	1018+320-2016	STEM	417506
10112	C-R	240462	1013+320-2086	STEM	417507	101590	TW-CO	415036	1018+320-2029	STEM	370008A
10112635	GMC	5778V	1013+320-2109	STEM	370036A	101595	COOK	55522=	1018+320-2104	STEM	417506

! Industrial Size/Type * Minor Width Difference

= The U.S. customer service number is 877-4-TIMKEN. The Canadian customer service numbers are 800-565-4927 (English) and 800-565-0438 (French-Canadian).

Mfr. No.	Name	Zero Duplication or Recommended Industrial	Mfr. No.	Name	Zero Duplication or Recommended Industrial	Mfr. No.	Name	Zero Duplication or Recommended Industrial	Mfr. No.	Name	Zero Duplication or Recommended Industrial
10180	C-R	6855N=	1021688	CANAD	473204	10241275	UNIVE	55228=	10278A	C-R	473367
1018066M1	MASSE	471529	1021721	CANAD	471854!	102430	MC-CL	471766!	10278A	C-R	473367!
10181	C-R	26X40X7!	1021743	CANAD	J1109	1024301	MC-CL	471766!	1028	SPG	472299
10181	C-R	710316	102175	MICH	471705!	10243247	GMC	9845	1028+2009	STEM	370057A
1018103	DURA	471224!	102175	UNIVE	471705!	1024387	DURA	473446	1028+2028	STEM	370007A
101823	CINMI	472179	102178	MC-CL	240119	1024388	DURA	471105!	1028+2041	STEM	370057A
10183	SPG	472179	10218	C-R	222650	10243965	GMC	9845	1028+320-2009	STEM	370019A
10183LPD	JN-MN	450593!	10218	C-R	26X47X7!	10243TB	TRSCM	471516!	1028+320-2028	STEM	370007A
10183LUP	JN-MN	450593!	102182	UNIVE	473419	10243TC	TRSCM	471516	1028+320-2041	STEM	370057A
10184LPD	JN-MN	472029	102183	MICH	473419	102443	CEMAC	473215!	10283TB	TRSCM	472953
10184LUP	JN-MN	472029	102187	MICH	471735	1024645	DURA	471733	10285LPD	JN-MN	415036 *
101868	MC-CL	350364	102187	UNIVE	471735	1024652	DURA	471652	10285LUP	JN-MN	415036
101872TB	TRSCM	471733	102188	C-R	415124	1024683	DURA	471297N=	1028872	FMC	476470
10188	C-R	26X42X7!	10219	SPG	471649!	1024861	CANAD	J1103	10289LPD	JN-MN	471341!
10188	C-R	710399	102190	C-R	455476	10249LPD	JN-MN	417351!	10289LUP	JN-MN	471341!
1018B	GOODM	450165	102198	MICH	450342	10249LUP	JN-MN	417351!	1028A2	WHITE	470530!
1018B	GOODM	471801!	102198	UNIVE	450342 *	1025+2137	STEM	370107A	10293	CASE	473467
1018D	GOODM	450165	1022	SPG	471787!	1025-4873LUP	JN-MN	417570	102936H1	HOUGH	470530!
1018D	GOODM	471801!	10220	C-R	26X47X7	10250	C-R	26X52X8	102936H1	IH	470530!
10190LPD	JN-MN	476510=	102200	MICH	471762!	10250LPD	JN-MN	473234	102940	MC-CL	481073
10190LUP	JN-MN	476510=	102200	UNIVE	471762!	10250LUP	JN-MN	473234	1029402	MC-CL	481073
10191	C-R	26X42X10!	102206	UNIVE	473420	102513	HOUGH	417316!	10294B1	DIA	417267
10191640	GMC	3945	102207A	HARWA	10X22X7!	102513H1	HOUGH	417316!	102963	HOUGH	470530!
1019229M1	MASSE	470954!	1022132	DURA	254287	1025174M1	MASSE	6936S	102976	HOUGH	472185!
101926	CLARK	406275=	1022132	MOTO	254287	102520	C-R	55441=	102976H1	HOUGH	472185!
101928	CLARK	473232!	1022309	WOOL	416339	10252LPD	JN-MN	415219 *	102979	MC-CL	471267!
101929	CLARK	470530!	1022309	WOOL	455031!	10252LUP	JN-MN	415219	102999	CUMMI	473211!
10193	C-R	26X42X10	102265	HOUGH	417539!	10253	C-R	26X52X8	102VB7	MARI	471760
10193TB	TRSCM	471744!	102265H1	HOUGH	417539!	1025354M1	MASSE	5092 \$	102X130X13	SIMRT	102X130X13
1019646	DURA	472311!	10227	WITTE	415697!	10253LPD	JN-MN	473243 *	102X130X13SC	TRSCM	102X130X13
101SP15	MACK	5M867	10227	WITTE	455547	10253LUP	JN-MN	473243	102X130X13TC	TRSCM	102X130X13
101VB7	MARI	471224!	10228655	GMC	9845	102540	C-R	417570 *	103	DEXTR	441319
102	C-R	5414	102292	CLARK	470334!	102550	C-R	417570	103	UNIVE	471765!
102	DEXTR	473235	10229LPD	JN-MN	471571 *	102551	C-R	417570	103-C6002	EIMCO	476838!
102	UNIVE	470712!	10229LUP	JN-MN	471571	102553	GMC	471298	103-W2	REO	HU034A
102-W2	REO	HU028A	1023+2004	STEM	370107A	1025611	CANAD	415447	1030	SPG	471571
10200	C-R	26X45X8	1023+2023	STEM	370065A	102577	MC-CL	481443!	103006	COOK	415991
102001	HOUGH	417967!	1023+320-2004	STEM	370107A	10258LPD	JN-MN	417780	103006	COOK	455146!
102001H1	HOUGH	417967!	1023+320-2031	STEM	370065A	10258LUP	JN-MN	417780	103015	COOK	415196!
10201LPD	JN-MN	416865!	1023+320-2031	STEM	380065A	10259LPD	JN-MN	470898	10301LPD	JN-MN	411253!
10201LUP	JN-MN	416865!	10230	C-R	222655	10259LUP	JN-MN	470898	10301LUP	JN-MN	411253!
10202A	C-R	450593!	10230	C-R	26X48X7!	1026+2025	STEM	370019A	103027	COOK	417343!
10202TB	TRSCM	471760	10230	SPG	471689!	1026+2026	STEM	370019A	10302LPD	JN-MN	417361
10202VHY	TRSCM	471760	10234	DANMA	204002	1026+2114	STEM	370019A	10302LUP	JN-MN	417361
10202VTB	TRSCM	471760	10234F	IH	473462	1026+2131	STEM	370019A	103034	COOK	415991
1020372	CANAD	416865!	1023564	DURA	473231!	1026+320-2025	STEM	370019A	103034	COOK	455146!
10205	C-R	710053	10236	SPG	470712!	1026+320-2114	STEM	370019A	10303LPD	JN-MN	416666
10205	GWI	471567!	102361	CLARK	473464	1026+320-2131	STEM	370019A	10303LUP	JN-MN	416666
102053	MC-CL	481443!	102365	C-R	260X300X20	102602	HYST	455471	103047	FR-HT	472572!
10206	GWI	471554!	1023682	CANAD	471272!	102607A	HARWA	10X26X7	10304LPD	JN-MN	415960
102062SB	TRSCM	473420	1023682	HK-SY	471272!	10261	SPG	473466	10304LUP	JN-MN	415960
10206D	IH	473447	1023684	CANAD	470898	102610	CLARK	410308!	10305LPD	JN-MN	418028
102078	KELSE	204035	1023780	DURA	471554!	102627	GMC	473466	10305LPD	JN-MN	455137!
10207LPD	JN-MN	471870!	1023781	DURA	473214!	10265	SPG	473235!	10305LUP	JN-MN	418028
10207LUP	JN-MN	471870!	1023782	DURA	450039	10267LPD	JN-MN	415294!	10305LUP	JN-MN	455137!
10207P	IH	471570!	1023783	DURA	471231!	10267LUP	JN-MN	415294!	10306	WITTE	471750!
102087	CLARK	415458!	1023786	DURA	471267!	102683	AM WH	472185!	103062	ONAN	330385
10208LUP	JN-MN	415449!	1023787	DURA	470712!	1026A3	WHITE	472157	10306LPD	JN-MN	417196! *
102092	GRAM	474276!	1023869	CANAD	472636!	1026X1	PEERC	252277	10306LUP	JN-MN	417196!
1021	FMS	1021V	1023914	CANAD	472016!	102705	CLARK	473238	103079	CUMMI	473232!
1021+2021	STEM	370027A	1023914	HK-SY	472016!	10272LPD	JN-MN	455328 *	103080	CUMMI	473010!
1021+2092	STEM	370027A	1023915	CANAD	472164!	10272LUP	JN-MN	455328	103081	CUMMI	472409
1021+320-2021	STEM	370027A	1023915	HK-SY	472164!	1027514	WHITE	HU009A	103082	CUMMI	471571
1021+320-2092	STEM	370027A	1023916	CANAD	471138!	1027520	WHITE	HU149A	103084	MC-CL	471267!
10210	C-R	26X46X8	10240	C-R	26X50X8	102766	US-EL	472951	103085	SPG	410308!
102101	GRAM	410308!	10240	FUNK	416888	102766	US-EL	474252	103115	GRAM	472179
102119	CLARK	415697!	102407A	HARWA	10X24X7	102767	US-EL	474255	10311LPD	JN-MN	455330! *
102119	CLARK	455547	102408A	OLIVE	416738!	102768	US-EL	473214!	10311LUP	JN-MN	455330!
102122	MICH	417570	1024094	CANAD	417254	102769	US-EL	471764!	103136R	US-EL	340817
10213013C	HARWA	102X130X13	1024116	CANAD	417134	10276A	C-R	412871!	10316SA	SPG	472636!
102157	CLARK	455556	1024125	CANAD	416380!	102776	US-EL	472951	103182	UNIVE	450044
102168	UNIVE	470606!	1024126	CANAD	J1131	102776	US-EL	474252	103183	MICH	450044

! Industrial Size/Type * Minor Width Difference \$ F-M Number Is Part Of A Kit
 = The U.S. customer service number is 877-4-TIMKEN. The Canadian customer service numbers are 800-565-4927 (English) and 800-565-0438 (French-Canadian).

NUMERICAL INTERCHANGE

Mfr. No.	Name	Zero Duplication or Recommended Industrial	Mfr. No.	Name	Zero Duplication or Recommended Industrial	Mfr. No.	Name	Zero Duplication or Recommended Industrial	Mfr. No.	Name	Zero Duplication or Recommended Industrial
103185	CLARK	417181!	1036+320-2036	STEM	370001A	104	UNIVE	471766!	104511	CLARK	411376!
103194	C-R	55532=	1036+320-2036	STEM	380001A	104-W2	REO	HU066A	1045273	WHITE	370003A
10320	C-R	50209*	1036+320-2046	STEM	370002A	1040	YARD	471570!	104541	CLARK	411376!
10320	US-EL	451583!	1036+320-2119	STEM	370179A!	104037	FR-HT	471787	10454LPD	JN-MN	417507
103200	MICH	450159	1036+320-2133	STEM	370132A	10403LPD	JN-MN	471231!	10454LPD	JN-MN	417507!
103200	UNIVE	450159	103604	AIRCO	415295	10404	CR-CF	417191	10454LUP	JN-MN	417507
10321	C-R	50209	10364	C-R	471705!	104046	CLARK	240319	10454LUP	JN-MN	417507!
10321	US-EL	450400	103641	CLARK	471264!	104046X03	TROS	7929S	104564	HOUGH	473215!
10322	SPG	412040	10364LPD	JN-MN	416664!	10404802	TROS	240816	104564H1	HOUGH	473215!
103223	CLARK	417210!	10364LUP	JN-MN	416664!	10404LPD	JN-MN	473214	104603	HOUGH	415449!
10324	C-R	50209*	10365	C-R	471705!	10404LUP	JN-MN	473214	104603H1	HOUGH	415449!
10324	US-EL	472636!	10365	SPG	470898	10405LPD	JN-MN	474274	104603H1	IH	415449!
10325	GWI	415088	103650	CLARK	472924!	10405LUP	JN-MN	474274	104610	US-EL	340413
10325	GWI	415088!	10365A	NOK	5126	1040600	ROCKW	4564V	104620	HOUGH	472924!
103254A	OLIVE	471192	10368	BR-WN	410102	104062	CLARK	450472!	104620H1	HOUGH	415082
103254A	WHITE	471192	10368	C-R	471689	10406LPD	JN-MN	471763	104634	SPICE	415001!
10327	C-R	50209	103681	CLARK	40101S	10406LUP	JN-MN	471763	10464	IH	471689!
10329LUP	JN-MN	476272=	103682A	OLIVE	472492=	104078	FR-HT	204017	10464R	IH	471689!
1033	SPG	330385!	1036836M1	MASSE	350936	10410	BU-SP	471570!	10468	MWKEL	6597S
10330	C-R	471224!*	103686	CLARK	456105	104125	MICH	415227!	1046816	C-R	417604
10332LPD	JN-MN	55199=	1036RC	SUL	473460	104156	CLARK	455019!	104690	C-R	455462
10332LUP	JN-MN	55199=	1037+2033	STEM	370048A	104156	MICH	350156	1047+2051	STEM	370029A
103330R1	IH	470059	1037+2040	STEM	370037A	104156	MICH	473096	1047+320-2051	STEM	370029A
103330R1	IH	470380!	1037+2118	STEM	370037A	10416	FULLE	415991	104705	HOUGH	472179
103331R91	IH	473238	1037+2118	STEM	370338A	10416	FULLE	415991!	104705H	HOUGH	472179
10333LUP	JN-MN	416657	1037+2137	STEM	370048A	10416	MWKEL	470954	104705H2	IH	472179
103341	HU-WR	415449!	1037+320-2033	STEM	370048A	104175	UNIVE	471692!	10470LPD	JN-MN	415047
10334LPD	JN-MN	416891!*	1037+320-2033	STEM	380048A	104181R91	IH	50199S!	10470LUP	JN-MN	415047
10334LUP	JN-MN	416891!	1037+320-2040	STEM	370037A	104181R91	IH	6863S!	104711	HOUGH	473460
10336LPD	JN-MN	17X40X7*	1037+320-2040	STEM	370338A	104182	UNIVE	476838!	104711H1	HOUGH	472394
10336LUP	JN-MN	471579	1037+320-2137	STEM	370048A	104183	MICH	476838!	104718	HOUGH	471689!
1033812	C-R	417022	1037+320-2137	STEM	380048A	104187	MICH	470712!	104718H1	HOUGH	471689!
10339	C-R	481650*	10371LPD	JN-MN	417603!	104187	UNIVE	470712!	104718H1	IH	471689!
1034+2034	STEM	370012A	10371LUP	JN-MN	417603!	10418LPD	JN-MN	472636!	10471LPD	JN-MN	416167!
10342	C-R	481650*	10372	C-R	473419!	10418LUP	JN-MN	472636!	10471LUP	JN-MN	416167!
1034398	DURA	472311!	10372	C-R	473419	104198	MICH	471747!	10474LPD	JN-MN	450307
10345	C-R	481650	103730A	OLIVE	456105	104198	UNIVE	471747!	10474LUP	JN-MN	450307
1034557	DURA	254287	103730A	WHITE	456105	104200	MICH	471763	104758	CUMMI	471341!
1034557	MOTO	254287	103734	KELSE	471192	104200	UNIVE	471763	1048+2048	STEM	416158
10345LPD	JN-MN	410496!	1037464M1	MASSE	200861	104206	MICH	471785!	1048+2110	STEM	416158
10345LUP	JN-MN	410496!	103781	CLARK	40268=	104206	UNIVE	471785!	1048+320-2048	STEM	386025A
10346	C-R	471651	10379LPD	JN-MN	416239!*	1042535	CANAD	40097S	1048+320-2048	STEM	416158
103465	CLARK	417171!	10379LUP	JN-MN	416239!	1042599	FMC	472924!	1048+320-2110	STEM	386025A
103474	FR-HT	417343!	103802	HU-WR	471765!	10426LPD	JN-MN	471354!	1048+320-2110	STEM	416158
10347LPD	JN-MN	455123	103805	HU-WR	415442!	10426LUP	JN-MN	471354!	10482LPD	JN-MN	415047*
10347LUP	JN-MN	455123	103805	HU-WR	55442	10427	BR-WN	416364!	10482LUP	JN-MN	415047
1035055	BENDI	330385	10380LPD	JN-MN	472185!	1042804	FMC	240414	10485LPD	JN-MN	472258!*
103516A	OLIVE	473459	10380LUP	JN-MN	472185!	104288	CLARK	473016!	10485LUP	JN-MN	472258!
103516A	WHITE	473459	10381	MWKEL	471224	1043+2021	STEM	370086A	104923R91	IH	450400
10352	SPG	472164!	10381LPD	JN-MN	455330!	1043+320-2034	STEM	370012A	10494	C-R	710157
103569	CLARK	353141!	10381LUP	JN-MN	455330!	1043+320-2041	STEM	370015A	10496	CASE	240385
10357	C-R	470606!	10382LPD	JN-MN	415142	1043+320-2041	STEM	370192A	10496	IH	413469!
10358SA	SPG	473231!	10382LUP	JN-MN	415142	10432LPD	JN-MN	471272!	104969	AM WH	473242
1035972	DURA	471255!	10384	BR-WN	472015!	10432LUP	JN-MN	471272!	10496F	IH	413469!
1035972A	DURA	471255!	10384LPD	JN-MN	415036	10433	BR-WN	J1138	10496S	SPG	410496!
1035972A	MOTO	471255!	10384LUP	JN-MN	415036	104365	EATON	415458	104996	HYST	51032S
1035978	DURA	471643!	103861	CLARK	40101S	104368	EATON	416654!*	104997	CLARK	415023
1035978A	DURA	471643!	103862-1	CROWN	JV1371	104372	MC-CL	470380!	105	UNIVE	473211!
1035978A	MOTO	471643!	10389	FULLE	450400	104381	KELSE	6906S	105-W2	REO	HU065A
1036+2011	STEM	370002A	103894	AIRCO	470530!	104396	GMC	471554!	1050-14018STLPD	JN-MN	415227!
1036+2031	STEM	370002A	1039	NATL	226020	10439C	SUL	471821!	1050-17476LDS	JN-MN	415227!
1036+2032	STEM	370002A	1039	NATL	60X80X8!	10441S	SPG	471341!	105000117600	ALFAR	223520!
1036+2036	STEM	370001A	103935	CLARK	415025	104432	HOUGH	470059	10500LPD	JN-MN	474255
1036+2046	STEM	370002A	103939	GMC	417555!	104432	HOUGH	470380!	10500LUP	JN-MN	474255
1036+2119	STEM	370179A!	103964	CLARK	40566S	104436	HOUGH	472179	105023	C-R	415227!
1036+2133	STEM	370132A	103993	KELSE	3942	104437	HOUGH	473238	105040	C-R	415227!
1036+320-2011	STEM	370002A	10399301	KELSE	3942	10443LPD	JN-MN	417258	105050	C-R	415227!
1036+320-2013	STEM	370036A	103D6	WHITE	5751	10443LUP	JN-MN	417258	105051	C-R	7973S*
1036+320-2013	STEM	370349A	103E27	EIMCO	417344!	10447	BR-WN	415146!	1050580	C-R	415227!
1036+320-2013	STEM	380036A	103VB7	MARI	471766!	10447	BR-WN	415991	10506	FULLE	451143
1036+320-2031	STEM	370002A	104	BL-KN	55193=	104470	CLARK	471344	105065	C-R	7973S
1036+320-2032	STEM	370002A	104	DEXTR	442251	1045	SPG	473238!	105067	C-R	7639S

! Industrial Size/Type * Minor Width Difference

= The U.S. customer service number is 877-4-TIMKEN. The Canadian customer service numbers are 800-565-4927 (English) and 800-565-0438 (French-Canadian).

Mfr. No.	Name	Zero Duplication or Recommended Industrial	Mfr. No.	Name	Zero Duplication or Recommended Industrial	Mfr. No.	Name	Zero Duplication or Recommended Industrial	Mfr. No.	Name	Zero Duplication or Recommended Industrial
105070	GMC	417602!	105523	OLIVE	411253!	106206	UNIVE	471354!	1067+2060	STEM	370069A
105086	KELSE	204029	10553SA	SPG	471224!	106212	MICH	473205	1067+2097	STEM	370069A
105086	KELSE	204507!	105623	HU-WR	471504!	106212	UNIVE	473205	1067+320-2060	STEM	370069A
10509	LEMCO	412119!	10562A	FULLE	412871!	106216R91	IH	472311!	1067+320-2060	STEM	380069A
105093	C-R	415227!	105640117700	ALFAR	228480	106218R91	IH	474278	1067+320-2097	STEM	370069A
105094	DENCO	473231!	105674H	IH	412920!	106219R91	IH	474276!	1067+320-2097	STEM	380069A
10509LUP	JN-MN	415076	10567SA	SPG	471267!	10622	CHAMP	415458!	10670	CASE	412119!
10513LPD	JN-MN	410737!	10568	C-R	9376	106220R91	IH	450400	106706	CLARK	470565!
10513LUP	JN-MN	410737!	105683A	OLIVE	471529	106225	MICH	474255	10672	CASE	327303!
105142173001	ALFAR	224100	10569LPD	JN-MN	474255	106225	UNIVE	474255	106720	HOUGH	470954!
105142173001	ALFAR	40X65X10!	10569LUP	JN-MN	474255	106225R91	IH	472560N!	106726	FUNK	415138!
10515	C-R	480210!*	10572	C-R	340210	10623G	OSHKO	416556!	106737R91	IH	474278
10515	C-R	9376	105725	OLIVE	472144!	10623G	OSHKO	472157	106738R91	IH	323138!
105182	UNIVE	450482	10575F	IH	473211!	10623SS	JN-MN	40316S	106739R91	IH	474276!
105198	MICH	473428*	10577	C-R	27X37X7V	106241	HU-WR	417351!	1068	SPG	2551
105198	UNIVE	473428*	105780R91	IH	5957S	10625	C-R	222742	10680	C-R	471705!
105199R91	IH	474278	10579	C-R	27X37X7	10625	C-R	27X42X10*	10680401	KELSE	4122
1052+2050	STEM	370145A	10580	C-R	450188	10625	C-R	27X42X7!	10680401	KELSE	470547
1052+320-2050	STEM	370145A	10581	C-R	450188	10627	C-R	222742	106806	HU-WR	417198
10520	SPG	471272!	10583	C-R	3732S	106272	CUMMI	473228!	10681	C-R	473419!
105200	MICH	471764!	10583F	IH	450039	106273	CUMMI	451857	10682	C-R	473419
105200	UNIVE	471764!	10584	C-R	712009	106274	CUMMI	474281!	10682LPD	JN-MN	471765!
105206	MICH	473427	10584F	IH	471795	106275	CUMMI	473367!	10682LUP	JN-MN	471765!
105206	UNIVE	473427	10592	C-R	471651*	106276	CUMMI	472164!	10684S	NATL	471827
10520F	IH	470088	10597	C-R	471651*	106277	CUMMI	472185!	10685	C-R	27X47X10
10520SA	SPG	471272!	10598	C-R	471651	106278	CUMMI	470530!	106852	EATON	472409!
10524LPD	JN-MN	470950!	105987R91	IH	473228!	106296	CLARK	470898	10687	FI-CO	471765!
10524LPD	JN-MN	6241S	10598LPD	JN-MN	471551	1063+2031	STEM	370002A	10689	C-R	27X47X10
10524LUP	JN-MN	470950!	10598LUP	JN-MN	471551	1063+2057	STEM	415958	106919	CLARK	415991
10524LUP	JN-MN	6241S	10599500	JA-HE	471267!	1063+320-2031	STEM	370002A	106919	CLARK	455146!
10525SS	JN-MN	471766	10599501	JA-HE	471267!	1063+320-2057	STEM	415437	10692	C-R	473419
10526	C-R	480210!	105X125X13SC	TRSCM	105X125X13	10630	C-R	27X42X10	10692	C-R	473419!
105267R91	IH	473464	105X125X13TC	TRSCM	105X125X13	10631	C-R	470606!	106949R91	IH	417316!
105267R91	IH	473464!	105X130X12SC	TRSCM	105X130X12	10632	C-R	470606!	106955	HOUGH	471766!
10527	C-R	480210!	105X130X12TC	TRSCM	105X130X12	10633	C-R	27X47X8*	106955H1	HOUGH	471766!
105272R91	IH	472311!	105X140X12SC	TRSCM	105X140X12	106339	CUMMI	473016!	106973	CLARK	6886S
105279R91	IH	450400	105X140X12TC	TRSCM	105X140X12	10634	C-R	1990	10698	JN-MN	55103S
10527LPD	JN-MN	473461!	106	UNIVE	471192	10634	C-R	222743	10698LPD	JN-MN	55103S
10527LUP	JN-MN	473461!	10600	FI-CO	474254!	10635LDS	JN-MN	416664!	10699	C-R	471735
105281R91	IH	340413	10602	FI-CO	471344	10636	C-R	470606!	106W212	CONE	5168
10528LPD	JN-MN	417344!	10604	C-R	471651	1064+2072	STEM	370046A	107	C-R	5419
10528LUP	JN-MN	417344!	10605	C-R	471651	1064+2136	STEM	417172	107	C-R	BS5048
1053+2109	STEM	370036A	10608SS	JN-MN	471737=	1064+320-2072	STEM	370046A	107	DEXTR	415137!
1053+2109	STEM	370349A	106092	CLARK	415263	10640	C-R	1990	107	DEXTR	418028
1053+2109	STEM	380036A	1061	NATL	224045	10640	C-R	27X43X8!	107	UNIVE	473226
1053+320-2109	STEM	370036A	1061	NATL	40X62X12!	10642	C-R	471705!	107-W2	REO	HU036A
1053+320-2109	STEM	370349A	1061002	LILIS	410496!	1064730	CHRY	470354	10700	C-R	471735
1053+320-2109	STEM	380036A	1061013	LILIS	473227!	1064856	CHRY	5797	10700LPD	JN-MN	455123*
10541	SPG	471689!	106127	CLARK	472492!	1064857	CHRY	5797	10700LUP	JN-MN	455123
105415	OLIVE	417262!	106127	MICH	55228=	1065	SPG	470898	10701LPD	JN-MN	416738!
105416	OLIVE	417262!	106142SB	TRSCM	480210!	1065079	GMC	225230	10701LPD	JN-MN	450096
105437A	OLIVE	471413	106143	FREIG	471267!	1065079	GMC	52X72X8!	10701LUP	JN-MN	416738!
105440R91	IH	472636!	10615SS	JN-MN	471224	10652	C-R	471705!*	10701LUP	JN-MN	450096
105441	HU-WR	471689!	10616	C-R	471442!	10653	C-R	471705!	10707	CHAMP	412871!
105441R91	IH	7107A=	106162SB	TRSCM	471651	10654S	SPG	473179	10708	CHAMP	470898
105442H	IH	473016!	106162SB	TRSCM	481650	10658	C-R	471705!	107084	KELSE	JV1166
105442R91	IH	410987!	10616SS	JN-MN	471692!*	10659	C-R	471705!	10708S	SPG	410708
105442R91	IH	450686	10617SS	JN-MN	40183S!	1065K	MINNM	476838!	107097	CLARK	450472!
105443R91	IH	417316!	1061822SL	TRSCM	473419	1066+2061	STEM	370195A	107099H	IH	472572!
105445R91	IH	415960	106182SB	TRSCM	471735	1066+320-2061	STEM	370195A	1070T-2	WHITE	471224!
10545	C-R	480210!*	10618SS	JN-MN	40301S	10660S	SPG	471442!	107105H1	IH	471554!
105466	EATON	415458!	106192SB	TRSCM	450342	10663	C-R	222745	107105S	HOUGH	471554!
105470C1	IH	200766	106198	MICH	473426	10665	C-R	222745	107162A	OLIVE	471138!
105470X1	IH	200766	106198	UNIVE	473426*	10665	C-R	27X45X8!	107162A	WHITE	471138!
105471C1	IH	200603	10619SS	JN-MN	415449!	10666	C-R	222745	1071824	C-R	415128
105471X1	IH	200603	1062+2057	STEM	370047A	106661	HU-WR	416297	10719	BR-WN	J1112
105496	HU-WR	472397!	1062+320-2057	STEM	370047A	106691	HOUGH	471192	107198	CLARK	471316
105497	HU-WR	417073	106200	MICH	471765!	106691H1	HOUGH	471192	107198	UNIVE	450048*
105504	PREST	350364	106200	UNIVE	471765!	106691H1	IH	471192	107200	MICH	450173
10551	C-R	480210!	106201	CLARK	415371	106692	GR-DV	455079!	107200	UNIVE	450173
10551SS	JN-MN	331107N	106202SB	TRSCM	471762!	1067	F-R-H	470059	107202	CLARK	417556
10552	C-R	480210!	106206	MICH	471354!	1067	F-R-H	470380!	107216	CUMMI	470059

! Industrial Size/Type * Minor Width Difference

= The U.S. customer service number is 877-4-TIMKEN. The Canadian customer service numbers are 800-565-4927 (English) and 800-565-0438 (French-Canadian).

NUMERICAL INTERCHANGE

Mfr. No.	Name	Zero Duplication or Recommended Industrial	Mfr. No.	Name	Zero Duplication or Recommended Industrial	Mfr. No.	Name	Zero Duplication or Recommended Industrial	Mfr. No.	Name	Zero Duplication or Recommended Industrial
107216	CUMMI	470380!	10784	EATON	417349	10826	SEALR	471766!	109000	HYST	474276!
107220	CLARK	415327	10784	FULLE	100495	10827	SEALR	473211!	109027	CANAD	8907
107224	US-EL	471647	10784	FULLE	417349	108294	EATON	473235!	10904LPD	JN-MN	471553!
10724	US-EL	471647	107885	HOUGH	417316!	108294H	IH	473235!	10904LUP	JN-MN	471553!
107249	CLARK	418028	1079+2008	STEM	370005A	1082B	MASSE	410987=	1090672	CHRY	415960
10726	C-R	27X48X8	1079+2009	STEM	370173A	10830	TMTR	471192	109070	CLARK	416921!
1072YX	IH	450143	1079+2021	STEM	370003A	108309	CLARK	416149	109099	FORD	6336S
10733	C-R	450342*	1079+2024	STEM	370006A	10831	SEALR	480630!	109099	OLIVE	6336S
107358	CLARK	370166A*	1079+320-2008	STEM	370005A	108313	CLARK	415263	1091+2102	STEM	370023A
107359C1	IH	5723	1079+320-2021	STEM	370003A	108339	CLARK	416149	1091+2102	STEM	417505
10736	C-R	450342	1079+320-2021	STEM	380003A	10833SS	JN-MN	471413	1091+320-2102	STEM	370023A
10737	C-R	450342	1079+320-2024	STEM	370006A	10834	SEALR	470059	1091+320-2102	STEM	380023A
10737ST	JN-MN	416891!	107904	CLARK	415035	10834	SEALR	470380!	1091+320-2102	STEM	417505
107386	HU-WR	415995!	107904	CLARK	415035!	10837	CLARK	470565!	10910LPD	JN-MN	415483!
107391	CLARK	416125!	10795	SPG	471829	108373	CLARK	6886S	10910LUP	JN-MN	415483!
1074	SPG	472164!	107972	CLARK	415379	108374	CLARK	470565!	109110R91	IH	471413
1074+2073	STEM	370191A	107972	CLARK	415379!	1084	C-R	455123	109119R91	IH	471413!
10740	C-R	471762*	107974	AM WH	471472!	1084	SEALR	471554!	10911LPD	JN-MN	413470!
10740	C-R	471762	10797LPD	JN-MN	470605!*	10840	SEALR	472572!	109198	MICH	470050
10743	C-R	471762	10797LUP	JN-MN	470605!	10841	SEALR	472397!	109198	UNIVE	470050*
10743	C-R	471762!	108	UNIVE	473228	10841LPD	JN-MN	455375=	109200	MICH	473424!
107494	KELSE	473463	108-W2	REO	HU110A	10841LUP	JN-MN	455375=	109200	UNIVE	473424!
10749LPD	JN-MN	471649!	1080	C-R	417602!*	108463	HU-WR	6590S	109206	MICH	450124=
10749LUP	JN-MN	471649!	1080	GR-DV	417602!	10846SS	JN-MN	415379	109206	UNIVE	450124=
1074LPD	JN-MN	450307*	10803006	TROS	470004!	10847	SEALR	417316!	1092097M1	MASSE	472439
1074LUP	JN-MN	450307	10803204	TROS	471526!	1085+2021	STEM	370034A	10921	C-R	712008
1075-16530LDS	JN-MN	416383	10803205	TROS	471526!	1085+320-2021	STEM	370034A	10921767	GMC	417343!
10751LPD	JN-MN	471224!	10803404	TROS	481534	1085272M1	MASSE	470954!	10922	C-R	28X42X8!
10751LUP	JN-MN	471224!	10803406	TROS	471530	10854ST	JN-MN	416476!	10922	C-R	712008
10753LPD	JN-MN	470774!	108035	CLARK	415995!	10855LPD	JN-MN	472354!	10922155	WHITE	472157
10753LUP	JN-MN	470774!	10803606	TROS	471281!	10855LUP	JN-MN	472354!	109224	HYST	471744!
107551	C-R	55228=	10803806	TROS	471532	1085688M1	MASSE	472185!	10923	C-R	710325
107552A	OLIVE	472492!	10804004	TROS	471466!	108574H1	HOUGH	471442!	10924	C-R	28X38X7!
107552A	WHITE	472492!	10804005	TROS	471466!	10859LPD	JN-MN	416339	10925	C-R	450040
10755K	CASE	471413	10804006	TROS	471466!	10859LUP	JN-MN	455031!	10926	C-R	450044
10755LPD	JN-MN	472492!	10804205	TROS	481528	10859LUP	JN-MN	416339	10927	C-R	710119
10755LUP	JN-MN	472492!	10804406	TROS	471529	10859LUP	JN-MN	455031!	10929	C-R	28X40X7V
10756	C-R	471762	10804803	TROS	1049	1086058M1	MASSE	470625!	1093+2002	STEM	416892
10756	C-R	471762!	108054	IH	471413	10860LPD	JN-MN	472012	1093+2005	STEM	370021A
10756LPD	JN-MN	473467	108054R91	IH	471413	10860LUP	JN-MN	472012	1093+2043	STEM	370124A
10756LUP	JN-MN	473467	10805602	TROS	240733	108653	CLARK	415351!	1093+2058	STEM	416888
10757	CHAMP	471466!	108092R91	IH	450084!	1086758M1	MASSE	471649!	1093+2113	STEM	370021A
10757LPD	JN-MN	472397!	10811	SEALR	470590	108679	CLARK	416039	1093+2129	STEM	416892
10757LUP	JN-MN	472397!	10812	SEALR	451583!	108696	SIMPL	342805	1093+2165	STEM	370131A
10758	C-R	27X52X8	10814	SEALR	471649!	10869LPD	JN-MN	417480!	1093+2181	STEM	370124A
107591	C-R	416383	108144	AM WH	471649!	10869LUP	JN-MN	417480!	1093+2184	STEM	370131A
10761LPD	JN-MN	417316!	10814S	SPG	471344	108705	CLARK	415072	1093+2199	STEM	370131A
10761LUP	JN-MN	417316!	10815P	IH	470086	108735C1	IH	472164!	1093+320-2002	STEM	416892
107621A	OLIVE	417344!	10816	C-R	417604*	10875104	NAPCO	412871!	1093+320-2005	STEM	370021A
107621A	WHITE	417344!	10816	GR-DV	417604	108773	AM WH	417247!	1093+320-2043	STEM	370124A
10763	EATON	473464!	10816	SEALR	471733	10877SS	JN-MN	474278!	1093+320-2058	STEM	416888
10763	EATON	473464	10817	SEALR	476838!	1088	ALLCH	473461!	1093+320-2113	STEM	370021A
10765	C-R	473420	10818	SEALR	470712!	1088	B-L-H	415124	1093+320-2129	STEM	416892
10766	C-R	473420*	108198	MICH	471750!	1088	C-R	415124	1093+320-2165	STEM	370131A
1077+320-2096	STEM	416865	108198	UNIVE	471750!	1088	TRAC	473461!	1093+320-2165	STEM	380131A
107720	CLARK	415035!	10820	C-R	417567	1088+2095	STEM	415058	1093+320-2181	STEM	370124A
107720	CLARK	415035	10820	GR-DV	417567	1088+2132	STEM	415058	1093+320-2184	STEM	370131A
107732R1	IH	474276!	10820	SEALR	471763	1088+320-2095	STEM	415058	1093+320-2184	STEM	380131A
107732R91	IH	474276!	108200	MICH	471766!	1088+320-2132	STEM	415058	1093+320-2199	STEM	370131A
10773LPD	JN-MN	55309=	108200	UNIVE	471766!	108806H1	HOUGH	476470	1093+320-2199	STEM	380131A
10773LUP	JN-MN	55309=	108206	MICH	471787!	108811C1	IH	5723	10930	C-R	222820
107744A	WHITE	415960	108206	UNIVE	471787!	1088312M1	MASSE	7700S!	10930	C-R	28X40X7!
107745A	WHITE	472572!	108210	UNIVE	450177*	1088602	CHRY	470354	1093006M1	MASSE	415072
107754A	OLIVE	450165	108211	MICH	450177	10887434	CHRY	470898	10931	C-R	712008
107754A	OLIVE	471801!	108212	MICH	471795	1089+2099	STEM	370120A	109314	HOUGH	415001!
107765A	WHITE	473237=	108212	UNIVE	471795	10891	BU-SP	470625!	109314H1	HOUGH	415001!
107766A	WHITE	41206S=	108225	MICH	450165	10892	BU-SP	456105	109315	HOUGH	416654
1078	ALLCH	417349	108225	MICH	471801!	10893	BU-SP	471267!	10932	C-R	222820
1078	NATL	224040	108225	UNIVE	450165	10898	EATON	473238	109322	HOUGH	415138!
1078	NATL	40X60X10!	108225	UNIVE	471801!	108A03604	TROS	471281!	109322H1	HOUGH	415138!
1078	TRAC	417349	10824	C-R	415128*	109	UNIVE	470682	109322H1	IH	415138!
10784	EATON	100495	108244	MICH	471818	109-W2	REO	HU009A	10933	FITZ	5095

! Industrial Size/Type * Minor Width Difference

= The U.S. customer service number is 877-4-TIMKEN. The Canadian customer service numbers are 800-565-4927 (English) and 800-565-0438 (French-Canadian).

Mfr. No.	Name	Zero Duplication or Recommended Industrial	Mfr. No.	Name	Zero Duplication or Recommended Industrial	Mfr. No.	Name	Zero Duplication or Recommended Industrial	Mfr. No.	Name	Zero Duplication or Recommended Industrial
10934	C-R	712008	109831	US-EL	416339	10A21423	WHITE	415991	10A7541	MINNM	473227
109341	CUMMI	324112	1099296	GMC	5068	10A21466	MINNM	472157=	10A7611	WHITE	470954!
10935	C-R	28X42X8!	109935R91	IH	473473	10A21466	WHITE	472157=	10A811	MINNM	470354
109352	GOODM	417481	109936R91	IH	412871!	10A21691	MINNM	473016!	10A8344	MINNM	417433
109352	JEFF	417481	1099399	GMC	5068	10A21691	WHITE	473016!	10A8468	MINNM	450400
109353	GOODM	413478	109939R91	IH	471570!	10A22007	MINNM	476332N=	10A8486	MINNM	415991
109356	US-EL	473010!	109968	CLARK	415263=	10A22007	WHITE	476332N=	10A8L	AAMCO	471707N
10936	C-R	710216	109969	CLARK	472492=	10A22092	MINNM	471272!	10A9471	MINNM	471870!
10937	C-R	222835	10A10111	MINNM	6703S	10A22092	WHITE	471272!	10A9789	MINNM	473211!
10937	C-R	28X44X6!	10A10517	MINNM	471442!	10A22308	MINNM	470954!	10B1444	FED	473367
10938	C-R	222835	10A10894	MINNM	450474	10A22308	WHITE	470954!	10B1444	FED	473367!
10939	C-R	222820	10A10L	AAMCO	471193	10A22515	MINNM	473225!	10B1754	FED	480630!
1094+2106	STEM	370003A	10A11608	MINNM	472234	10A22515	WHITE	473225	10CDK-01094	WHITE	450400
1094+2115	STEM	370005A	10A11658	MINNM	417350!	10A23926	MINNM	472012	10CDKL01094	WHITE	450400
1094+320-2106	STEM	370003A	10A12051	MINNM	472492=	10A23927	WHITE	472012	10P1772	MINNM	470954!
1094+320-2106	STEM	380003A	10A12051	WHITE	472492=	10A23R	AAMCO	342805	10P2091	MINNM	411330!
1094+320-2115	STEM	370005A	10A1297	FED	474276!	10A2411	MINNM	417316!	10P2097	MINNM	353141!
10942	C-R	27X42X10!	10A14257	MINNM	417344!	10A2411	WHITE	417316!	10P219	MINNM	240356
10942	C-R	712008 *	10A14257	WHITE	417344=	10A2490	MINNM	471271!	10P222	MINNM	6597S
109427	HU-WR	55501=	10A14262	MINNM	417349	10A24D	AAMCO	472164	10P2276	MINNM	420
109428	HU-WR	55193=	10A1442	FED	450400	10A25D	AAMCO	9613S	10P228	MINNM	472234
10943	C-R	28X45X8	10A14894	MINNM	415379	10A26	AAMCO	472015!	10P2417	MINNM	473461!
10944	C-R	222830	10A14894	MINNM	415379!	10A26114	MINNM	415379	10P2486	MINNM	415458
10945	BU-SP	412119!	10A15506	MINNM	417350!	10A26114	WHITE	415379	10P2638	MINNM	416921=
10945	C-R	28X45X8	10A15507	MINNM	415995!	10A2638	WHITE	416921=	10P2930	WHITE	473016!
109451X	GRAM	450398	10A15791	MINNM	55309=	10A26D	AAMCO	470774!	10P3487	MINNM	415379
109451X	GRAM	471267!	10A16	AAMCO	473179	10A2730	MINNM	415984!	10P3604	WHITE	450073
10946	C-R	28X45X7V	10A16329	MINNM	470954!	10A2731	MINNM	45827S	10P362	MINNM	474276
109468601	GMC	473241=	10A16329	WHITE	470954!	10A28E	AAMCO	7751H	10S72	TLSMI	455576!
10947	C-R	222820	10A16450	MINNM	471870!	10A29294	WHITE	476470	10UK01094	WHITE	474276!
10948LPD	JN-MN	417493 *	10A16J	AAMCO	7018N=	10A2G	AAMCO	472015!	10WA-01094	WHITE	323138!
10948LUP	JN-MN	417493	10A17321	MINNM	415995!	10A30A	AAMCO	331228H	10X10950	MINNM	471818
10949LPD	JN-MN	473462	10A17321	WHITE	415995!	10A31033	WHITE	415088	10X15186	MINNM	415960
10949LUP	JN-MN	473462	10A17322	MINNM	417350!	10A3161	FED	472492!	10X19X7SC	TRSCM	10X19X7
10950LPD	JN-MN	415187	10A17357	MINNM	415991	10A3196	FED	474278	10X19X7TC	TRSCM	10X19X7
10950LUP	JN-MN	415187	10A17357	MINNM	455146!	10A31Q	AAMCO	470898!	10X22X7	FORSH	10X22X7!
10952LPD	JN-MN	471689!	10A17817	MINNM	415379	10A33A	AAMCO	474260	10X22X7	SIMRT	10X22X7!
10952LUP	JN-MN	471689!	10A17817	WHITE	415379	10A3417	MINNM	473463	10X22X7SC	TRSCM	10X22X7!
10957	C-R	222860	10A18170	MINNM	416380!	10A34Q	AAMCO	472354!	10X22X7TC	TRSCM	10X22X7!
10958	C-R	222860	10A18170	WHITE	416380!	10A36	AAMCO	9613S	10X23028	MINNM	415379
10958	C-R	28X47X7!	10A18176	MINNM	476470!	10A37P	AAMCO	471264!	10X23028	MINNM	415379!
109580	FORD	417343!	10A18176	MINNM	476470	10A39F	AAMCO	473459	10X24X7	SIMRT	10X24X7
10959	C-R	28X47X7	10A18176	WHITE	476470	10A3G	AAMCO	9613S	10X24X7SC	TRSCM	10X24X7
109595	CANAD	471138!	10A18678	MINNM	473228	10A43F	AAMCO	473473	10X24X7TC	TRSCM	10X24X7
10959LPD	JN-MN	415254	10A18811	MINNM	471835!	10A44F	AAMCO	7929S	10X25X7SC	TRSCM	10X25X7
10959LUP	JN-MN	415254	10A18897	MINNM	471466!	10A45F	AAMCO	331107N	10X25X7TC	TRSCM	10X25X7
10960	C-R	450159 *	10A18897	WHITE	471466!	10A46F	AAMCO	7692S	10X26X7	FORSH	10X26X7
10960LPD	JN-MN	455015 *	10A19446	MINNM	50462	10A4731	MINNM	471424!	10X26X7	SIMRT	10X26X7
10960LUP	JN-MN	455015	10A19446	WHITE	50462	10A4T	AAMCO	451117N=	10X26X7SC	TRSCM	10X26X7
10961	C-R	28X47X7	10A19477	MINNM	470954	10A50N	AAMCO	473445	10X26X7TC	TRSCM	10X26X7
109610	C-R	417605	10A19477	WHITE	470954	10A5104	MINNM	416664!	10X29504	MINNM	416271!
10963	BU-SP	415137!	10A19482	MINNM	471507N=	10A56Y	AAMCO	473179	10X29720	MINNM	415960
10963	BU-SP	418028	10A19720	MINNM	416664!	10A57Y	AAMCO	8792S	10X30979	MINNM	417205!
10963LPD	JN-MN	417491 *	10A19720	WHITE	416664!	10A5956	MINNM	425RR	10X3114	MINNM	473205
10963LUP	JN-MN	417491	10A20107	MINNM	416404!	10A6156	FED	474278	10X31311	MINNM	471138!
10964	BU-SP	472636!	10A20107	WHITE	416404!	10A6239	FED	323138!	10X31317	MINNM	415991
10965	C-R	28X48X8	10A20316	MINNM	472258	10A6268	FED	481568!	10X31317	MINNM	455146!
109659	CLARK	450073	10A20794	MINNM	486332N=	10A6289	AVCO	416404!	10X3144	MINNM	473205
10966	C-R	28X48X8! *	10A20794	WHITE	486332N *	10A6289	MINNM	416404!	10X33841	MINNM	203013
10969	BU-SP	415196!	10A20796	MINNM	416332!	10A6289	WHITE	416404=	10X33841	WHITE	203013
109690	C-R	415090	10A20796	WHITE	416332!	10A6627	MINNM	473473	10X33923	MINNM	40301S
1097	FMS	1097N	10A20859	MINNM	473231!	10A6732	MINNM	417344!	10X33924	MINNM	471763
10970	C-R	450159	10A20859	WHITE	473231!	10A6733	MINNM	410190	10X34138	MINNM	415447
10972	CASE	473467!	10A20R	AAMCO	7442H	10A69B	AAMCO	471539	10X34138	WHITE	415447
10973	C-R	28X52X7	10A2111	MINNM	473237!	10A70	AAMCO	473473	10X5487	WHITE	470954!
10974	C-R	28X52X7V	10A2112	MINNM	417158!	10A7038	MINNM	417344!	10X5525	MINNM	472164!
10975	C-R	28X52X7	10A2112	WHITE	417158!	10A7073	MINNM	470954	10X6898	MINNM	471413!
10977	C-R	28X52X7V	10A2113	MINNM	416921!	10A7103	MINNM	471413!	10X706	MINNM	450133
1098	SPG	471224!	10A2113	WHITE	416921=	10A7121	MINNM	472924!	11	BL-KN	417492
10982LPD	JN-MN	411253!	10A21423	MINNM	415991!	10A7204	FED	50075=	11-317932	FAIRB	450084!
10982LUP	JN-MN	411253!	10A21423	MINNM	415991	10A73B	AAMCO	8935S	11-317934	FAIRB	471341!
10983	C-R	710433	10A21423	WHITE	415991!	10A74B	AAMCO	7300S	11/2F11512	MURRA	416664!

! Industrial Size/Type * Minor Width Difference

= The U.S. customer service number is 877-4-TIMKEN. The Canadian customer service numbers are 800-565-4927 (English) and 800-565-0438 (French-Canadian).

NUMERICAL INTERCHANGE

Mfr. No.	Name	Zero Duplication or Recommended Industrial	Mfr. No.	Name	Zero Duplication or Recommended Industrial	Mfr. No.	Name	Zero Duplication or Recommended Industrial	Mfr. No.	Name	Zero Duplication or Recommended Industrial
11/2F11564	MURRA	417316!	110206	MICH	450129	110623R91	IH	340400	110978	GMC	418028
110	UNIVE	473232	110206	MICH	472826!	11062A	C-R	415458!	11097R	IH	471141!
110-010	DISOG	710014	110206	UNIVE	450129	110631	US-EL	476838!	11098	C-R	471652
110-014	DISOG	710023	110206	UNIVE	472826!	11063A	C-R	476838!	11098R	IH	473010!
110-016	DISOG	470625	110210	UNIVE	473421 *	11064	CLARK	415064	11099	C-R	471652 *
110-019	DISOG	710024	110211	MICH	473421	11064	DGASK	35127	11099	DGASK	35394
110-021	DISOG	471504	110212	MICH	473211!	110641	DGASK	35127	110991	DGASK	35394
110-023	DISOG	710025	110212	UNIVE	473211!	11065	C-R	240151	110998	GMC	455584
110-026	DISOG	710017	110225	MICH	473212!	11065A	C-R	415995!	110998	GOODM	455584
110-037	DISOG	710027	110225	UNIVE	473212!	11066	C-R	472560N!	110998	JEFF	455584
110-039	DISOG	710018	110228	MICH	40769S	11066A	C-R	474265	11099A	C-R	473232
110-045	DISOG	710010	110237	MICH	473213!	11067	C-R	472560N	110A04504	TROS	331173
110-047	DISOG	710028	110237	UNIVE	473213!	1106756	ALLCH	472164!	110A04804	TROS	8705S
110-049	DISOG	710011	110245	C-R	280X320X20	11067A	C-R	473419	110E-65	HWY	470530!
110-054	DISOG	710016	1103+2001	STEM	370121A	11068A	C-R	473367!	110E-97	HWY	473228
110-056	DISOG	710029	1103+320-1001	STEM	370021A	11068A	C-R	473367	110E65	FWD	472397!
110-058	DISOG	710030	1103+320-2001	STEM	370021A	11069	C-R	472560N!	110X130X12SC	TRSCM	110X130X12
110-060	DISOG	710015	110303	CLARK	325940 =	11070	C-R	476838	110X130X12TC	TRSCM	110X130X12
110-067	DISOG	710031	110337	GRAM	471619!	11071	C-R	472560N	110X135X13ASN	ISP	110X135X13
110-082	DISOG	710032	110337	WILYS	471619!	11071-6G	IH	476470	110X135X13ASN(35)	ISP	110X135X13
110-D6-9	REO	370023A	110350	US-EL	473226	11071-6G	IH	476470!	110X140X12SC	TRSCM	110X140X12
110-W2	REO	HU009A	11035LPD	JN-MN	417600 *	11071A	C-R	471466!	110X140X12TC	TRSCM	110X140X12
1100	UNIVE	415482	11035LUP	JN-MN	417600	11073A	C-R	415001!	110X140X13SC	TRSCM	110X140X13!
1100-7180LUP	JN-MN	415482	11039A	C-R	417191	11074F	IH	470088	110X140X13TC	TRSCM	110X140X13!
1100-D6-15	REO	370036A	11039A	C-R	456585!	11074LPD	JN-MN	415995!	110X145X13AN	ISP	110X145X13
1100-D6-15	REO	370349A	11039LPD	JN-MN	455734 =	11074LUP	JN-MN	415995!	110X145X13AN(35)	ISP	110X145X13
1100-D6-24	REO	370023A	11039LUP	JN-MN	455734 =	11074LUP	JN-MN	415995!	110X150X15SC	TRSCM	110X150X12 *
1100007968	BUSHH	200881	11040	DGASK	35094	110752	AVCO	415449!	110X150X15SC	TRSCM	110X150X15
110005	SPG	712110	110401	DGASK	35094	110752	HERCU	415449!	110X150X15TC	TRSCM	110X150X12 *
11001300	UNIVE	415482	11040A	C-R	471554!	110752B	HERCU	415449!	110X150X15TC	TRSCM	110X150X15
110021R91	IH	370001A	11040A	C-R	471554	1107704K3	IH	470380!	111	UNIVE	473236!
110021R91	IH	6638S	11040LPD	JN-MN	417205!	11077A	C-R	471787!	111-307-113	VW	1163 =
110027	GRAM	471466!	11040LUP	JN-MN	417205!	11078	C-R	472560N	111-405-641B	VW	1217
110028	GRAM	473464	110432	HOUGH	471692!	11078A	C-R	472015!	111-W2	REO	HU149A
110028	GRAM	473464!	110432H1	HOUGH	471692!	11079	C-R	3638	11100	DGASK	35402
110029	DISOG	710026	110433	AVCO	412040	110799-40	IH	472705!	111001	DGASK	35402
11003A	HERCU	472354!	110460	CLARK	470898	1108	UNIVE	415076 *	11100LPD	JN-MN	470059
110040	C-R	415482	110461	CLARK	416149	11081	C-R	472560N	11100LPD	JN-MN	470380!
110042	DISOG	710038	11047A	C-R	412119!	11081CM	SUL	455476	11100LUP	JN-MN	470059
11004LPD	JN-MN	456618	11048A	C-R	416339	11082	C-R	472560N	11100LUP	JN-MN	470380!
11004LUP	JN-MN	456618	11048A	C-R	455031!	11083A	C-R	411253!	111017	CUMMI	413469!
110050	C-R	415482	11049A	C-R	474265	11084	C-R	472560N!	11102	DGASK	427RR
110051	C-R	415482 *	11050	C-R	340835	11085A	C-R	474281!	111021	DGASK	427RR
1100540	C-R	415482	110516	GMC	415379!	11086	C-R	222820	11103	C-R	471652
1100580	C-R	415482	110516	GMC	415379	1108641	VICK	455858	111035	WOOL	450111
110063	DISOG	710035	11051A	C-R	415027!	11086AS	HOUGH	473179!	1110416	CHRYSL	415449!
110066	DISOG	710036	11051A	C-R	415027	110873	CLARK	6547	11106LPD	JN-MN	416339
1100755	FMC	411253!	11053	C-R	340835	11087AS	HERCU	473179	11106LPD	JN-MN	455031!
110079	DISOG	710037	11053	CLARK	415027!	11088A	C-R	473464!	11106LUP	JN-MN	416339
110079	GMC	55692 =	11053	CLARK	415027	11088A	C-R	473464	11106LUP	JN-MN	455031!
1100971	C-R	415076	11053A	C-R	476470	11088A	HERCU	473179	11108	C-R	471652
11010	WOODB	472015!	110542	CLARK	412473!	11089	C-R	471652	111082	HOUGH	471766!
110120	MICH	417020	11054A	C-R	415991	11089	C-R	482208!	111082H1	HOUGH	471766!
110128	GRAM	471264	11054A	C-R	455146!	110897	CLARK	415458!	111083	HOUGH	473010!
110130	MICH	415482	11055	C-R	313842	110898	CLARK	470565!	111083H1	HOUGH	473010!
110139	CLARK	256656 * =	110554	GRAM	471281!	11090	C-R	471652	111083H1	IH	473010!
110139	DISOG	710039	11055LPD	JN-MN	470354 *	11090	C-R	482208!	111084	HOUGH	476470
110143	DISOG	710040	11055LUP	JN-MN	470354	11091	C-R	471652	111084	HOUGH	476470!
110148	WAUKE	417316!	110569	GMC	415995!	11091	C-R	482208!	111084H1	HOUGH	476470!
11014LPD	JN-MN	450313	110569	GMC	415995!	110914	CLARK	417545	111084H1	HOUGH	476470
11014LUP	JN-MN	450313	11056A	C-R	471785!	11091A	C-R	471224!	111084H1	IH	476470!
110157	DISOG	710041	11057A	C-R	474253	11092A	C-R	472636!	111084H1	IH	476470
110158	WAUKE	472164!	11057A	C-R	474253!	11094A	C-R	470059	1110879C1	IH	415035
11015LPD	JN-MN	470086	11060	C-R	340815 *	11094A	C-R	470380!	11109	C-R	471652
11015LUP	JN-MN	470086	1106044	ALLCH	450593!	1109558C1	IH	415041	1111+2106	STEM	370003A
110171	DISOG	710034	11060LPD	JN-MN	456890	11095A	C-R	471821!	1111+2115	STEM	370005A
110179H1	HOUGH	471570!	11060LUP	JN-MN	456890	11096	STEEL	472164!	1111+2162	STEM	370006A
11017LUP	JN-MN	415483	11061	C-R	1037 *	11096A	C-R	470950!	1111+320-2106	STEM	370003A
11018LPD	JN-MN	472397!	11061A	C-R	417344!	11096A	C-R	6241S	1111+320-2106	STEM	380003A
11018LUP	JN-MN	472397!	11061LPD	JN-MN	415074 *	110976	GMC	418028	1111+320-2115	STEM	370005A
1101VB7	MARI	415076	11061LUP	JN-MN	415074	110976	GMC	455137!	1111+320-2162	STEM	370006A
11020	KERSH	253099	11062	C-R	340815	110978	GMC	415137!	111105245	VW	226020

! Industrial Size/Type * Minor Width Difference

= The U.S. customer service number is 877-4-TIMKEN. The Canadian customer service numbers are 800-565-4927 (English) and 800-565-0438 (French-Canadian).

Mfr. No.	Name	Zero Duplication or Recommended Industrial	Mfr. No.	Name	Zero Duplication or Recommended Industrial	Mfr. No.	Name	Zero Duplication or Recommended Industrial	Mfr. No.	Name	Zero Duplication or Recommended Industrial
111105245	VW	60X80X8!	11140	C-R	471692!	111633	CLARK	416154!	111909R91	IH	416865!
11111	C-R	3638	11140	C-R	471692	111637	EATON	5089	11191	C-R	476838!*
11112	FITZ	5073	11140	DGASK	25598	11164	C-R	204020	11192	C-R	476838!
111146	HOUGH	5976S	111401	DGASK	25598	11164	C-R	204505*	11192SB	TRSCM	471747!
111147	AM WH	471138!	111404	US-EL	413248	111640	AM WH	411245!	11193	C-R	476838!
11114M1	C-R	474277	111405641A	VW	224045	111646	CLARK	473473	1119321	ALLCH	415035
11115	C-R	470004	111405641A	VW	40X62X12!	11165	DGASK	35410	111933	GMC	8996S=
111161	CLARK	50514	11140SS	JN-MN	416556!	111651	DGASK	35410	111936	GMC	415551
111163	AM WH	417344!	11140SS	JN-MN	472157	11166	C-R	204020	111936R91	IH	472409!
11117	C-R	471530*	11141	C-R	471692!	11166	C-R	204505!	111937	US-EL	415498
111176	AM WH	415196!	11141SB	TRSCM	1037	11167	C-R	203020	11193A	C-R	472924!
111178	HOUGH	471192	11141VB	TRSCM	340815	11167LPD	JN-MN	415001!	11193LPD	JN-MN	471795
111178H1	HOUGH	471192	11142VB	TRSCM	313842	11167LUP	JN-MN	415001!	11193LUP	JN-MN	471795
111179	HOUGH	470059	11143	C-R	710285	11168	C-R	476838!	11193NB	SPG	471193
111179	HOUGH	470380!	11143LPD	JN-MN	411245!	11168-D	CLARK	415437	111940R91	IH	472409
111179H1	HOUGH	470059	11143LUP	JN-MN	411245!	11168-D	CLARK	415437!	11194LPD	JN-MN	415142*
111179H1	HOUGH	470380!	11146	C-R	471692!	11168-E	CLARK	415437	11194LUP	JN-MN	415142
111179H1	IH	470059	11146	C-R	471692	11168-E	CLARK	415437!	11196	C-R	476838!
111179H1	IH	470380!	11147	C-R	471692	111682SB	TRSCM	481213!	111962	AVCO	417486
11118	C-R	471281!*	11147	C-R	471692!	11169	C-R	476838!	111962	HERCU	417486
111180	HOUGH	5976S	111475	CLARK	8126S	11170	C-R	476838*	111962B	HERCU	417486
11119	C-R	471532*	111477	CLARK	415995!	11170	C-R	476838	111965	CLARK	455079!
111193	AM WH	410694!	111478	CLARK	416039	111707R91	IH	470898	11197	BU-SP	416888!
11119A	HERCU	455189	111479	US-EL	450040	111708	CLARK	7700S!	11197	C-R	350974!
11119LPD	JN-MN	417356!	111481	CLARK	416332!	111708	MIXMO	6886S	11197LPD	JN-MN	415991
11119LPD	JN-MN	455188	111482	CLARK	415379	111708R91	IH	470898	11197LPD	JN-MN	455146!
11119LUP	JN-MN	417356!	11148LPD	JN-MN	417485	11171	C-R	476838*	11197LUP	JN-MN	415991
11119LUP	JN-MN	455188	11148LUP	JN-MN	417485	11171	C-R	476838	11197LUP	JN-MN	455146!
11120	C-R	471466	111497	WAUKE	471413	111710R1	IH	470954!	11198	BU-SP	472439
11120LPD	JN-MN	415043	1115	SPG	416664!	111711R91	IH	412473!	11198LPD	JN-MN	416332!
11120LUP	JN-MN	415043	11150	C-R	471692!	111712R91	IH	416476!	11198LUP	JN-MN	416332!
111210	UNIVE	473435*	111501315	VW	1012	111719	CLARK	415263	11199	BU-SP	471192
111211	MICH	473435	111501315	VW	1012N	111720	CLARK	416271!	112	UNIVE	472179
111212	MICH	473436	11151	DGASK	35316	111721	CLARK	416921!	11200	C-R	350974!
111212	UNIVE	473436	11151-2K-11	IH	472258!	111726	CLARK	416125!	112018R91	IH	471224!
11121LPD	JN-MN	417353!	111511	DGASK	35316	111729	CUSH	473214!	11202	C-R	470712!
11121LUP	JN-MN	417353!	111512-K-63	IH	416706!	111729	O-M	473214=	112029	CLARK	456112=
11122	C-R	471529*	111512G12	IH	471267!	11172LPD	JN-MN	470059	112029	KEN	456112=
111225	MICH	50168	111514	CLARK	3016	11172LPD	JN-MN	470380!	11202SB	TRSCM	471763
111225	UNIVE	50168	111514	CLARK	456052	11172LUP	JN-MN	470059	11202SB	TRSCM	471763
11123	C-R	471652!	11152	DGASK	35316	11172LUP	JN-MN	470380!	11202VHY	TRSCM	471763
11123	C-R	482208	111521	DGASK	35316	11172TB	TRSCM	471692!	112034R91	IH	472439
11123	EMRSN	471652	11152SB	TRSCM	472560N!	111740	FMS	100518	112035	MINNM	472572!
11123	EMRSN	482208!	11152VB	TRSCM	472560N	11174SS	JN-MN	40410S	112035	OLIVE	472572!
111237	MICH	450054	11154	C-R	471692!	11174VB	TRSCM	204505!	11203TB	TRSCM	471763
111237	UNIVE	450054	11154	HU-WR	471141!	111750	CLARK	412473!	11204	C-R	470712!
11124	C-R	471652	1115480	ALLCH	450467	111756	CUSH	473197	112043	MINNM	471570!
11124SS	JN-MN	340847	11155	C-R	471692!	111756	O-M	473197=	11204A	C-R	416865!
11125	C-R	471652!	11155	C-R	471692	111761	CLARK	471766!	11205	C-R	470712!
11125	C-R	482208	11156	C-R	471692!	11177	C-R	476838!	112051R91	IH	471766!
11125SS	JN-MN	340849	11156	C-R	471692	11177LPD	JN-MN	456618	112052R91	IH	471766!
11126	C-R	471652	11156	WAYNE	473467!	11177LUP	JN-MN	456618	112055	CLARK	416070
11126A	HERCU	417082	11157	C-R	471692!	11178	C-R	476838!	11205602.5	TROS	340850
11129	DGASK	35315	111576	CUMMI	473016!	111784VHY	TRSCM	203020	112062VB	TRSCM	471785!
111291	DGASK	35315	11158	C-R	471692!	111784VHY	TRSCM	204020	112063SB	TRSCM	471785!
1112Y	IH	5M289	111592Y	AVCO	415458!	111785	CLARK	472409	11207	C-R	470712!
11130	C-R	471652	111592Y	HERCU	415458!	1117B	GOODM	471192	11208	C-R	470712!
111307	GMC	410496!	1115938	CHRYSS	450776!	11180	C-R	323133	112081	DGASK	35361
11131VB	TRSCM	340835	11160	C-R	471692	111801	AM WH	415196!	11209	C-R	470712!
11133	C-R	471652	11160	C-R	471692!	111802	AM WH	471554!	112101	US-EL	471827
11133	C-R	471652	11160	JNSON	417349	11182SB	TRSCM	476838	11213SB	TRSCM	481792
11134	C-R	471652	11161	C-R	204020	11182TB	TRSCM	476838!	11214	CHRYSS	410496=
11135	DGASK	35292	11161	C-R	204505!	11183	C-R	476838!	112149	CLARK	471866!
111351	DGASK	35292	1116194	ALLCH	200354	11183K	CASE	200354	11215	C-R	470004!
11136	C-R	1989	111624	AVCO	413248	11183SA	TRSCM	350974!	11215DB	TRSCM	472350!
111368	CLARK	415035	111624	HEIL	413248	111843	CLARK	416921=	11215M1	C-R	470004!
11137	C-R	222835*	11162SB	TRSCM	482208!	111872TB	TRSCM	470712!	112161	DGASK	35486
11137AS	HERCU	473179	11162TB	TRSCM	471652	111872VSB	TRSCM	470712!	11217	C-R	471530
11138	C-R	471692	11162VTB	TRSCM	471652	111872VTB	TRSCM	470712!	11218	C-R	471281!
11138	C-R	471692*	11163	JNSON	471272!	1118B	GOODM	473214	112185	O-M	473428
111383	HOUGH	471224!	111632	AVCO	471705!	1118D	GOODM	473214	11218H	DIA	473179
1114-1252-068	LEYLD	228010	111632	HERCU	471705!	111908R91	IH	416865!	11219	C-R	471532

! Industrial Size/Type * Minor Width Difference

= The U.S. customer service number is 877-4-TIMKEN. The Canadian customer service numbers are 800-565-4927 (English) and 800-565-0438 (French-Canadian).

NUMERICAL INTERCHANGE

Mfr. No.	Name	Zero Duplication or Recommended Industrial	Mfr. No.	Name	Zero Duplication or Recommended Industrial	Mfr. No.	Name	Zero Duplication or Recommended Industrial	Mfr. No.	Name	Zero Duplication or Recommended Industrial
112190	CLARK	417522	11257	C-R	470712!	11312T2	DIA	370019A	1138281	CHRY	240356
1121924	C-R	55078S	11258	C-R	470712!	11314	C-R	471763	1138282	CHRY	240151
112193	HOUGH	473227!	1125919	ALLCH	450819	113148	MINNM	455189	113848	GMC	416394
112193H1	HOUGH	473227!	112596	AM WH	476838!	113148	OLIVE	455189	113854	CLARK	JV1121=
11220	C-R	471466!	112597	JEFF	455024	11316G	OSHKO	415088	113866	EATON	100263
112207A	HARWA	11X22X7	112600	GOODM	473229	11316SS	JN-MN	451583!*	113866	EATON	4562V
11220M1	C-R	471466!	112603	OLIVE	471554!	11317	BU-SP	412473!	113875	CLARK	417283
11220Y18	C-R	471466!	112607A	HARWA	11X26X7	1131714X1	IH	456199=	11391	C-R	450332
112210	UNIVE	472287!*	11261	C-R	205004	11318	BU-SP	417351!	11392	C-R	473259*
112211	MICH	472287!	112622	CLARK	471344	11318	C-R	471763*	11392	C-R	473259
112212	MICH	471192	112630-K-27	IH	470774!	11319	BU-SP	415379	113970R91	IH	473473
112212	UNIVE	471192	11264	C-R	203003	11319	BU-SP	415379!	113971R91	IH	471413!
112212SL	MICH	471192	11265LPD	JN-MN	415074*	11320	C-R	471763*	1139896	CHRY	450776!
11222	C-R	471529	11269	C-R	203003	113243	UNIVE	50254=	1139897	CHRY	471862
112225	MICH	473214!	11271	C-R	203003	113244	MICH	50254=	1139898	CHRY	470950!
112225	UNIVE	473214	112717	AM WH	471466!	11327SS	JN-MN	351487	1139898	CHRY	6241S
112225SLT1	MICH	473214	112724H	IH	471686	113286	OLIVE	470712!	1139899	CHRY	474264
11223	C-R	470712!	11272SS	JN-MN	340136	11333	C-R	471763*	1139900	CHRY	471316
112237	MICH	473215!	11274	C-R	205004	113339	OLIVE	470712	113E-4	HWY	417316!
112237	UNIVE	473215!	11274	GEM	6703S	11334	C-R	471763	113E36	HWY	450165
11224	BU-SP	415007	112751	CLARK	472924!	113341	OLIVE	455189	113E36	HWY	471801!
112243	UNIVE	470950!	112752	CLARK	471252	11338	C-R	471763	114	UNIVE	473238!
112243	UNIVE	6241S	11275SA	SPG	476470!	11339	C-R	471763	114-W2-1	REO	733067
112244	MICH	470950!	112766	GOODM	471747!	11340	C-R	471763	114-W2-11	REO	730018
112244	MICH	6241S	1127699	CHRY	472012	1134101	ALLCH	441130	114-W2-2	REO	730026
112250	UNIVE	471835!	11277	C-R	203003	11341SB	SPG	471341!	114-W2-3	REO	730004
112251	DGASK	35524	112775Y	AVCO	472016	1134220	ALLCH	410102	114-W2-5	REO	730001
11225A	HERCU	240119	112775Y	HERCU	472016	113424	CLARK	416664!	114-W2-6	REO	730003
112265	CLARK	472492!	11279	C-R	6832S	113426	CLARK	415389	114-W2-7	REO	730008
11226LPD	JN-MN	417538*	1127H	GEM	6703S	113426	KEN	415389	114-W2-8	REO	730016
11226LUP	JN-MN	417538	112819	MINNM	471765!	11343	C-R	471763*	114-W2-9	REO	730149
112275	UNIVE	450463	112819	OLIVE	471765!	1134395	ALLCH	472439	1140	C-R	340835
112308	CLARK	100495	11282	C-R	203003	11344	C-R	471763	11405	C-R	472954
112308	CLARK	417349	112820	MINNM	471765!	113485	AM WH	411500	11407	C-R	710504
11232	CHRY	473243	11284	C-R	6832S	113501315	VW	1012	114074	WHELA	471765!
1123241	CUMMI	473016!	11284	FAWIC	415047	113501315	VW	1012N	11409	KINNR	473428
112332	CLARK	416362	112876R91	IH	415437!	113501315H	PORSC	224462	11410	C-R	450430*
112341	OLIVE	415447	11289	C-R	471747!	113501315H	PORSC	44X62X8!	114102Y	AVCO	473238
112347	OLIVE	415447	1129	NATL	30X40X7!	113517	O-M	474260	114109	MINNM	473229
11236	FITZ	5132	11292	C-R	471747!	11352	C-R	472644	114109	OLIVE	473229
112365	OLIVE	470059	11293	C-R	471747!	11353	C-R	472644	1141223C1	IH	396412* =
112365	OLIVE	470380!	112945	C-W	450398	11353	JNSON	416921!	11413	GI	473228
112367	OLIVE	470059	112945	C-W	471267!	113550R91	IH	417538	114134Y	AVCO	450143
112367	OLIVE	470380!	112947	C-W	471529	113551R91	IH	417538	114135	MICH	415076*
112403	OLIVE	470764!	11298T2	DIA	472015!	113554R91	IH	471270!	114136Y	AVCO	471192
112403	OLIVE	50764	11299	C-R	471747*	113558R91	IH	415449!	114136Y	HERCU	471192
11240LPD	JN-MN	473464	11299	C-R	471747	11356	C-R	471785	11414	GI	471820
11240LPD	JN-MN	473464!	112HMS20	C-R	471466!	113569R91	IH	456105	11415	GI	473228
11240LUP	JN-MN	473464	112X140X13SC	TRSCM	112X140X13	11357	C-R	471785	114184	CLARK	416422
11240LUP	JN-MN	473464!	112X140X13TC	TRSCM	112X140X13	11358	C-R	471785!	1141962R1	IH	5084
11241LPD	JN-MN	473313	112Z12	C-R	471466!	113585R91	IH	415449!	11420	KINNR	471281!
11241LUP	JN-MN	473313	112Z20	C-R	471466!	11359	C-R	471785!	1142056	CHRY	471267!
11242SB	TRSCM	473259!	113	UNIVE	473450	11365	C-R	471785!	11420SS	JN-MN	417484!
11243	FITZ	5127	113-311-113	VW	222242	11366	BU-SP	471766!	114210	CLARK	415351!
112431	DGASK	35001	113-311-113A	VW	222242	11366	C-R	471785	11422	C-R	1989
112432SL	TRSCM	474254	113-8432	CATER	39894	11368	C-R	471785=	114225	MICH	473016!
11244	C-R	470712!	113-8433	CATER	39893	11368LUP	JN-MN	416156	114225	UNIVE	473016!
112458Y	AVCO	471763	113-W2	REO	HU009A	11369	C-R	471785	114228	FWD	370003A
11246	C-R	470712!	11302LPD	JN-MN	482253	1137	GRAY	471649!	114229	FWD	370003A
1124631	SOLAR	471466!	11302LUP	JN-MN	482253	11370	C-R	471785!	114237	MICH	473225!
1124681C1	IH	417172	1130703C2	IH	415072	11370	CASE	471763	114237	UNIVE	473225!
11247	C-R	470712!	11308	C-R	471747!	11370	CLARK	471763	11424	KINNR	471647
1124E-1	CLARK	472572!	11308LPD	JN-MN	417159*	11371	C-R	481792=	114243	UNIVE	474264
1124E-2	CLARK	473464	11308LUP	JN-MN	417159	11372	C-R	481792	114244	MICH	474264
1125	SPG	471195!	11309	C-R	471747!	11374	C-R	481792	114250	UNIVE	473226
11252	C-R	470712!*	113105245F	CEW	227040	1137411C1	IH	470354	114275	UNIVE	450808
1125266C1	IH	415035	113105245F	CEW	70X90X10!	11375	C-R	481792	11427LPD	JN-MN	480630!
1125267C1	IH	473238	113105245F	VW	417484!	11376	C-R	481792	11427LUP	JN-MN	480630!
1125268C1	IH	416888!	113105245F	VW	70X90X10!	113763	OLIVE	471835!	11429	C-R	320595
112547	AM WH	470625!	113105245J	VW	227040	11378	C-R	450604*	11429A	C-R	471504!
11255	C-R	470712!*	1131247	ALLCH	450362	11379	ACF	415150!	11429NA	SPG	472082
11256	C-R	470712	11312G	OSHKO	352541	11380	C-R	450604	11430	CASE	471835!

! Industrial Size/Type *Minor Width Difference

=The U.S. customer service number is 877-4-TIMKEN. The Canadian customer service numbers are 800-565-4927 (English) and 800-565-0438 (French-Canadian).

Mfr. No.	Name	Zero Duplication or Recommended Industrial	Mfr. No.	Name	Zero Duplication or Recommended Industrial	Mfr. No.	Name	Zero Duplication or Recommended Industrial	Mfr. No.	Name	Zero Duplication or Recommended Industrial
11431	CASE	471553!	11514LUP	JN-MN	471827!	115334	MIX	472560N!	11600	C-R	30X40X7!
11432	KINNR	473215!	11515LPD	JN-MN	473471*	11534	C-R	473428	116002173010	ALFAR	224220
11434537	ALLCH	471341=	11515LUP	JN-MN	473471	11535	C-R	473428	116002173010	ALFAR	42X56X7!
114378	HERCU	471795	115162TB	TRSCM	474260	11535LPD	JN-MN	473460	116002173010	ALFAR	494117
114378Y	AVCO	471795	115172TB	TRSCM	471707	11535LUP	JN-MN	473460	11601	C-R	30X40X7V
114392-A-107	FWD	HU009A	11517LPD	JN-MN	455625=	1154	GARLK	473241*	11601724	CHRY	471564
114399	GOODM	471649!	11517LUP	JN-MN	455625=	1154109	CATER	39881	11602	C-R	30X40X7!
114399	JEFF	471649!	11518	C-R	474260*	1154109	CATER	5721	11603	C-R	223005
114407	WHITE	472258	11518	C-R	474260	11544	C-R	471764*	1160303	FUNK	470954!
114410-A-107	FWD	HU149A	115182SB	TRSCM	471736	11544	C-R	471764	11603204	TROS	471472!
114411-A-204	FWD	730149	11518LPD	JN-MN	473237!	11545	C-R	471764	116038	US-EL	417350!
1144500	HYST	40520S	11518LUP	JN-MN	473237!	11545	C-R	471764*	11603805	TROS	473405
11448A	HERCU	455189	115200	MIX	471766!	115456H	IH	417316!	11604	C-R	1129
1145022	BENDI	481568!	115201	MIX	470625!	11548	C-R	471764!	11604	C-R	223005
1145028	ALLCH	473232	115202TB	TRSCM	471764!	11549	C-R	471764!	11604	C-R	30X40X7!
114533	HOUGH	411253!	115202TB	TRSCM	471764!	11550	C-R	471764=	11604004	TROS	471264!
11453LPD	JN-MN	412119!	11521	C-R	450482	11551LPD	JN-MN	472492!	11604204	TROS	481537
11453LUP	JN-MN	412119!	115210	MIX	473459	11551LUP	JN-MN	472492!	11604404	TROS	471538!
11459	CHRY	473010!	115211	MIX	471870!	11552LPD	JN-MN	55301S	11604606	TROS	470506!
114631	SPICE	471821!	115214	MIX	472636!	11552LUP	JN-MN	55301S	11604803	TROS	470954!
114632	SPICE	471763	11522	C-R	474260!	11553	C-R	451182	11604804	TROS	470954!
114636	GMC	471224!	11522	C-R	474260	11553	WOODB	471272!	11604805	TROS	470954!
11467	GAL	471255!	115223	MIX	416654!	11555	C-R	473427	116049	CLARK	416229
11468A	C-R	473228	115224	MIX	415995!	115551	OLIVE	470059	11605	C-R	1129
11471	ITM	1110	115227	MIX	415142	115551	OLIVE	470380!	11605	C-R	30X40X7!
11471K	CASE	417343!	115229	MIX	471765!	11557	C-R	473427*	116050	CLARK	471271!
11474A	C-R	471766!	11522LPD	JN-MN	410308!	11557LPD	JN-MN	417354!*	11605003	TROS	470601
11476A	C-R	472409!	11522LUP	JN-MN	410308!	11557LUP	JN-MN	417354!	11605005	TROS	470601
114771R91	IH	417484!	11523	C-R	471736	11558LPD	JN-MN	455005	11605006	TROS	470601
114774	HOUGH	415458!	115232	MIX	472397!	11558LUP	JN-MN	455005	11605203	TROS	471539!
11479A	C-R	416654!	115235	MIX	412473!	1156-001	PYUNG	7457N	11605204	TROS	471539!
11480	KINNR	471538!	115237	MICH	473438	1156-002	PYUNG	2146	11605205	TROS	471539!
11480A	C-R	410987!	115237	UNIVE	473438	1156-025	PYUNG	1215N	11605603	TROS	254287
11486SB	SPG	470380!	11524	C-R	471736*	1156-054	PYUNG	1990	11605604	TROS	254287
11486SB	SPG	472189A!	115240	MIX	415303!	1156-185	PYUNG	1990	11606	C-R	30X40X7V
1149	GARLK	473462	115242	MIX	472157!	11561	US-EL	472179	11609	C-R	30X45X8V
114914	ALLCH	417267	115242	MIX	472157	11564LPD	JN-MN	481163!	11610	C-R	1970
114941	US-EL	327303!	115243	UNIVE	473439!	11564LUP	JN-MN	481163!	11610	C-R	30X42X7!
11497LPD	JN-MN	476470	115244	MICH	473439!	11566	C-R	450362	11610002	TROS	242731
11497LUP	JN-MN	476470	11525	C-R	473428	115687H	IH	470898	11611	C-R	223010
11498LPD	JN-MN	482253	115251	MIX	415483!	11568LPD	JN-MN	472287!	11612	C-R	223012
11498LUP	JN-MN	482253	115252	MIX	416664!	11568LUP	JN-MN	472287!	11614	C-R	223012
11499LPD	JN-MN	50266	115254	MIX	473460	11569LPD	JN-MN	450621	11614	C-R	30X44X7!
11499LUP	JN-MN	50266	115256	MIX	473467	11569LUP	JN-MN	450621	11615	C-R	223014*
114X140X13SC	TRSCM	114X140X13	115259	MIX	416273!	11577LPD	JN-MN	416239!	11615	C-R	30X45X8!
114X140X13TC	TRSCM	114X140X13	11526	C-R	471736	11577LUP	JN-MN	416239!	11616	C-R	223012*
115	UNIVE	472394	11527	C-R	473428*	115806H	IH	450165	11618	C-R	710359
115-4120	CATER	39881	115270	MIX	416865!	115806H	IH	471801!	11619	C-R	2016
115-4120	CATER	5722	115271	MIX	55392=	11583SS	JN-MN	340356	1162	GARLK	450474*
115-4120	CATER	947090\$	115272	MIX	327303!	11585	C-R	472475*	11620	C-R	223018
115-W2	REO	HU028A	115273	MIX	417474	115885	OLIVE	455121	11620	C-R	30X46X7!
1150	GARLK	450472!*	115277	MIX	417488!	115887	OLIVE	470764!	11622	C-R	1981
1150-10509LUP	JN-MN	415076	11528	C-R	473428*	115887	OLIVE	50764	116225	UNIVE	470625!
1150-15072STLUP	JN-MN	415076	115280	MIX	417495	11589	C-R	223014	11623	C-R	223020
1150-18708LPD	JN-MN	415077	115282	MIX	416865!	1159	NATL	222510	116237	MICH	470059
1150-9019LUP	JN-MN	415077*	115283	MIX	450326	115950	SPERY	204035	116237	MICH	470380!
11500LPD	JN-MN	415035	11529	C-R	471736	115950	VICK	205035	116237	UNIVE	470059
11500LUP	JN-MN	415035	115291	MIX	415991	11598935	CONTI	473237!	116237	UNIVE	470380!
115015	C-R	415077	115291	MIX	455146!	11599K	CASE	340927	116237SL	MICH	470059
115016	C-R	415077	115292	MIX	415035	115A980AAP21	GE	471554!	116237SL	MICH	470380!
115020	C-R	415077	115292	MIX	415035!	115A980AB1	GE	472185!	11624	C-R	30X47X7
115021	C-R	415077*	115293	MIX	417349	115A980AD3	GE	481073	116243	UNIVE	471820
115025	C-R	415077	115294	MIX	455144	115A980AD9	GE	471554!	116244	MICH	471820
1150250	C-R	415077	1153	GARLK	473241	115G-20	WHITE	5494\$	11625	C-R	223020
115040	C-R	415076	11532	C-R	473428	115X140X12SC	TRSCM	115X140X12	11625	C-R	30X47X7!
115041	C-R	415076*	115322	MIX	471272!	115X140X12TC	TRSCM	115X140X12	116250	MICH	473228
1150540	C-R	415076	115328	MIX	417362!	115X145X13AN	ISP	115X145X13	116250	UNIVE	473228
1150580	C-R	415076	11533	C-R	473428	115X145X13AN(35)	ISP	115X145X13	116256	UNIVE	410190
11507	CHRY	413470!	11533	WOODB	471272!	115X150X12SC	TRSCM	115X150X12	1162565	ALLCH	473010!
11508	BR-WN	471224!	115330	MIX	55078S	115X150X12TC	TRSCM	115X150X12	11626	C-R	223020
11514	C-R	471707*	115332	MIX	471271!	11600	C-R	1129	116265	HOUGH	472636!
11514LPD	JN-MN	471827!*	115333	MIX	473450	11600	C-R	223005	116265H1	HOUGH	472636!

! Industrial Size/Type * Minor Width Difference \$ F-M Number Is Part Of A Kit
 = The U.S. customer service number is 877-4-TIMKEN. The Canadian customer service numbers are 800-565-4927 (English) and 800-565-0438 (French-Canadian).

NUMERICAL INTERCHANGE

Mfr. No.	Name	Zero Duplication or Recommended Industrial	Mfr. No.	Name	Zero Duplication or Recommended Industrial	Mfr. No.	Name	Zero Duplication or Recommended Industrial	Mfr. No.	Name	Zero Duplication or Recommended Industrial
116265H1	IH	472636!	11669	C-R	1970	11744	FULLE	415027	118-5352	FMC	481397
1162682	ALLCH	472572!	1166965	CONTI	473236!	11744	FULLE	415027!	1180-034	PYUNG	223250
1162682	FUNK	472572!	116698	WILYS	340413	11747	C-R	483054N	1180-035	PYUNG	225040
11627	C-R	30X47X7V	11669LPD	JN-MN	455191*	11747A	C-R	415449!	1800	C-R	471765
1162717	ALLCH	416154!	11669LUP	JN-MN	455191	11748A	C-R	415995!	11801	C-R	471765!
1162717	FUNK	416154!	11670	C-R	30X65X8	11748A	C-R	415995	11801	JNSON	J1124
116275	MICH	473440!	11671	C-R	223018	1175144	FMC	471267!	118023	HOUGH	417344!
116275	UNIVE	473440!	11672	C-R	1989	11753	C-R	472475*	11803	C-R	471765!
116276	MICH	474281!	11673	C-R	710267	11754	C-R	472475*	118049	HOUGH	472409
11627A	C-R	471466	116736	AM WH	472394	11754A	C-R	417356!	11804LPD	JN-MN	415066*
116299	UNIVE	450326	11675	C-R	30X68X8	11754A	C-R	455188	11804LUP	JN-MN	415066
1163	AT-PL	471787!	116757	ALLCH	415458!	117565	HOUGH	415995!	11805	C-R	471765!
11630	C-R	30X48X8!	116757	WAUKE	415458!	117565H1	HOUGH	415995!	118068	CLARK	417344!
11631	C-R	30X50X7	116811	HOUGH	412871!	117567	HOUGH	417316!	118086H1	IH	416654
116311	CLARK	471341!	116811H1	HOUGH	412871!	117567H1	HOUGH	417316!	118095	CLARK	473215!
116313ISL	MICH	210914	11682694	CONTI	7399S!	117568	HOUGH	412119!	11809LPD	JN-MN	450523
11631K	CASE	340210	116827	BRCWY	470334!	117580R91	IH	471413	11809LUP	JN-MN	450523
11632	C-R	223020	11685	C-R	30X72X10*	11758LPD	JN-MN	55333=	1180R	MINNM	6590S
11632	C-R	30X47X7!*	11685	C-R	30X72X7!	11758LUP	JN-MN	55333=	118100	C-R	300X340X20*
116324R91	IH	470898	11685LPD	JN-MN	417171!	117598	CLARK	203008	118103	HOUGH	471224!
11633	C-R	30X48X8!	11685LUP	JN-MN	417171!	1176-013	PYUNG	1990	118113	BL-KN	415960!
11634	C-R	30X50X7*	11686	C-R	30X72X10	1176-023	PYUNG	223801	118116	BL-KN	417082
11635	C-R	30X50X7	116867	WAUKE	471192	1176-049	PYUNG	2011	118117	SIMPL	472065=
116352R91	IH	471553!	1169	NATL	3771	1176-055	PYUNG	1990	118118	SIMPL	471224!
116353R91	IH	417344!	11693LPD	JN-MN	415867	11760	BU-SP	417967!	11812	BL-KN	473438
116359	HOUGH	5976S	11693LUP	JN-MN	415867	117604	CLARK	473464	118126	BL-KN	416125!
116359H1	IH	254287	116960	WAUKE	450415	11764	C-R	472475	118138	BL-KN	450532
11635LPD	JN-MN	417356!	11696LPD	JN-MN	412943	117643	HOUGH	470530!	11814	BL-KN	410190
11635LPD	JN-MN	455188	11696LUP	JN-MN	412943	117643H1	HOUGH	470530!	11815	BL-KN	473234
11635LUP	JN-MN	417356!	1169970246	MERCE	710290	11765	C-R	471765!	11815	C-R	471765
11635LUP	JN-MN	455188	116A04806	TROS	470954	117652	AM WH	415072	11815	JNSON	415437
11636	C-R	223050	116A05603	TROS	7840S	11766A	C-R	470334!	11815	JNSON	415437!
11638	C-R	30X52X7	116T5	WHITE	471821!	11766A	C-R	50289	11816	BL-KN	472924!
11639	C-R	223035*	117	FMC	440RR	11769A	HERCU	471570!	118162SB	TRSCM	481213!
1164	AT-PL	472164!	117-289-E91	IH	370001A	11770	C-R	483488	118162VC	TRSCM	340817
11640	C-R	223035	117-D6	REO	370349A	11771	C-R	40576S	118163	BL-KN	416024
11640	C-R	30X52X7!	11700	C-R	483488	1177176	FMC	417487	118167	BL-KN	476470!
11641	C-R	30X52X10V	1170107	GMC	5589	11772	C-R	473426*	118167	BL-KN	476470
11641073	CONTI	J1120=	11702	C-R	710065	117720	WAUKE	470712!	118168	CLARK	417344!
11643LPD	JN-MN	417516	11706	NEWPR	2465	1177242	FMC	411376!	118169	BL-KN	416294!
11643LUP	JN-MN	417516	117078	GMC	415449!	1177243	FMC	471747!	11817	BL-KN	415995!
11645446	CHRY5	473197=	117093	WILYS	340787	11773	C-R	473426	118170	BL-KN	J1123
11645447	CHRY5	481397=	11709LPD	JN-MN	416892!	11776	BU-SP	473467!	118172SB	TRSCM	473203
116456H	IH	417316!	11709LUP	JN-MN	416892!	11776	C-R	473426*	118172TL-H	TRSCM	473203
11650	C-R	7442H	1171	NATL	223542	11777	C-R	473426*	118173	CLARK	470898
11652	C-R	30X55X10*	1171	NATL	35X55X11!	11778	C-R	4813V	1181788	GMC	472164
11652	C-R	30X55X7!	11712	C-R	340817	11779	C-R	473426	118183SB	TRSCM	473425
11653	C-R	30X55X10V*	117131H1	IH	471504	1178	NATL	224015	11819	BL-KN	471787!
11654	C-R	30X56X8	11719	NAK	280X320X20	11780	C-R	473426	118192TB	TRSCM	473426
11654LPD	JN-MN	481163!	11720	C-R	470328	11780LPD	JN-MN	417158!	1182	WMG	224270
11654LUP	JN-MN	481163!	11720	C-R	481213!	11780LUP	JN-MN	417158!	118202SB	TRSCM	471765!
11655	C-R	3907	11721	C-R	470328	117829A	OSHKO	416297	118202TB	TRSCM	471765!
116557	AM WH	471354!	11721	C-R	481213!	11783A	HERCU	473179	1182062TB	TRSCM	471354!
11657	C-R	30X56X8	117225H1	HOUGH	415995!	11788	C-R	471765!	1182111	GMC	472164
11658	C-R	30X55X10	117235H1	IH	471835!	11788A	C-R	470898!	118212SB	TRSCM	473205!
11659	C-R	30X47X7*	117237ISL	MICH	452222!	11788A	C-R	470898	118225	HOUGH	450398
116596	HOUGH	471224!	11728	C-R	470328	11789LPD	JN-MN	415349	118225	HOUGH	471267!
116596H	HOUGH	471224!	11729	C-R	40328	11789LUP	JN-MN	415349	11822SS	JN-MN	473237!
116596H1	HOUGH	471224!	11730	C-R	470328*	1178H	OSHKO	415960!	118237	UNIVE	472299
116596H1	IH	471224!	11730	C-R	481213	1179	C-R	HU036A	1182385	GMC	470605!
1166	NATL	222510	1173052	GMC	5589\$	1179	NATL	224045	118242SB	TRSCM	474256!
1166	NATL	25X35X7!	11731	HWY	410102	1179	NATL	40X62X12!	118243	UNIVE	471821!
11660	C-R	30X60X8	11732	C-R	2551	11790LPD	JN-MN	417511	118244	MICH	471821!
11660LPD	JN-MN	412040*	11732	EMRSN	473237!	11790LUP	JN-MN	417511	118250	MICH	473229
11660LUP	JN-MN	412040	11733	C-R	9487	117933	CLARK	415303!	118250	UNIVE	473229
11662	C-R	223050*	11734	C-R	473203	11793STLPD	JN-MN	509516	118256	UNIVE	450143
11664	C-R	30X62X7	11735	C-R	473203	11796	C-R	471765!	118259	GMC	471763
116646	CLARK	473473	117362R91	IH	416282	11797	C-R	471765!	11826	C-R	471765!
11665	C-R	30X62X7	117380	WAUKE	471271!	1179RC	SUL	471750!	118262	MICH	470682
116652	OLIVE	472016	11739LPD	JN-MN	415142*	117A4	WHITE	473467!	118262	UNIVE	470682
11666	C-R	30X62X7V	11739LUP	JN-MN	415142	117D6	WHITE	370036A	118275	MICH	473441
11668	C-R	30X62X7!	11740	C-R	473425	117D6	WHITE	370349A	118275	UNIVE	473441

! Industrial Size/Type *Minor Width Difference \$F-M Number Is Part Of A Kit
 =The U.S. customer service number is 877-4-TIMKEN. The Canadian customer service numbers are 800-565-4927 (English) and 800-565-0438 (French-Canadian).

Mfr. No.	Name	Zero Duplication or Recommended Industrial	Mfr. No.	Name	Zero Duplication or Recommended Industrial	Mfr. No.	Name	Zero Duplication or Recommended Industrial	Mfr. No.	Name	Zero Duplication or Recommended Industrial
118276	MICH	450273	1186	COC	471870!	1189726	CHRY5	413469!	11937	US-EL	415498
118276	WILYS	470954!	1186	WMG	1979	1189732	CHRY5	472179	1193752	CHRY5	470712!
118287	MICH	473442!	11860	C-R	471354!	1189854	GMC	340724!	119393	GOODM	450593!
118287	UNIVE	473442!*	1186052	FMC	471224!	11899	C-R	710068	119393	JEFF	450593!
11830	BL-KN	473313	11863	BL-KN	416706!	118993H1	HOUGH	450084!	1193965	GMC	5587
11830LUP	JN-MN	417487!	11865	BL-KN	473236!	119	C-R	5585	1193965	WILYS	5587
11830LUP	JN-MN	417487	11866	BL-KN	471762!	1190	B-L-H	415090	1194	ALOY	1952
11832	BL-KN	417487	11867150	GMC	471554!	1190	C-R	415090	1194	C-R	55218=
11832LPD	JN-MN	416153!	11868	BL-KN	415577	1190	NATL	1955	1194	NATL	33X50X12!
11832LUP	JN-MN	416153!	1187	BL-KN	411253!	1190	NATL	52X65X9!	1194	WMG	33X50X12!
11833	BL-KN	472185!	1187	NATL	47X68X10!	1190	WMG	1955	119427	EATON	9773
11833	NAK	14X27X7	1187003	FMC	471570!	11904	C-R	5168	119429	EATON	416654
11833LPD	JN-MN	417079	1187004	FMC	471224!	11904	CHRY5	471870!	119430	EATON	412473
11833LUP	JN-MN	417079	1187006	FMC	471692!	119049	OLIVE	470059	119431	EATON	415458
11834SS	JN-MN	472560N!	1187009	FMC	473215!	119049	OLIVE	470380!	119432	EATON	712937
11835	BL-KN	413469!	1187010	FMC	474276!	119049	WHITE	470059	1194359	GM	420
11835A	C-R	472015!	1187011	FMC	473367!	119049	WHITE	470380!	119457	EATON	9773
11836	C-R	471765	1187011	FMC	473367	11905	C-R	473205	119458	EATON	722250
11837LPD	JN-MN	472492!	1187012	FMC	472179	11906	C-R	473205	1194581	GMC	7751H
11837LUP	JN-MN	472492!	1187013	FMC	474281!	11907	C-R	473205!	119459	EATON	712625
118393	SIMPL	470390=	1187014	FMC	473463	1191	NATL	52X72X8!	1194729	HYST	471141!
1184	NATL	224520	1187015	FMC	450343	11911	C-R	472350!	1194868	HYST	451082
1184	NATL	45X60X10!	1187016	FMC	415082	11912	C-R	415871	119487	HOUGH	416271!
11840	C-R	471765	1187017	FMC	415088	119132	GAL	416239!	119487	US-EL	471076
11841	C-R	471765	1187017	FMC	415088!	11914	C-R	474255*	119488	HYST	240698
118424	CLARK	J1127	1187020	FMC	474278!	11914	C-R	474255	119488	US-EL	472258!
11844	BL-KN	473464!	11871	BL-KN	55155=	11916	C-R	417606	1194A	MASSE	473214
11844	BL-KN	473464	11872	JN5ON	416364!	11917	C-R	474255	1194RC	SUL	417513
11845	BL-KN	415060	1187241	FMC	471141!	11918	C-R	474255	1195013	CHRY5	471689!
11845	BL-KN	455060	1187242	FMC	472924!	1191888	CHRY5	412119	1195133	CHRY5	474278!
11845	C-R	40576S	1187243	FMC	470898!	11920	C-R	55222=	119516H1	HOUGH	455336
11846	C-R	40576S	1187315	FMC	473437	1192109	CHRY5	410825	1195497	GMC	473442!
11847	BL-KN	474274	11874	JN5ON	J1138	11921P	IH	417604	119573	CLARK	416657
118481A1	CASE	370069A	1187421	FMC	474254!	1192233	CHRY5	416282	119575	CLARK	416657
118482A1	CASE	370121A	1187447	FMC	205035	11923	C-R	474254	1195878	HYST	482310
11848P	IH	412473!	1187521	FMC	471354!	11923	C-R	474254*	1195A-15	IH	471835!
118490H	IH	5951	11875LPD	JN-MN	413246	11924	C-R	55223=	1195A-16	IH	473228
1184RC	SUL	417486	11875LUP	JN-MN	413246	11924	CHRY5	473204	1195D1	WHITE	412027
1185	NATL	1012	1187717	FMC	476838!	119243	UNIVE	450065	1196	ALOY	1992
1185	NATL	1012N	1187718	FMC	417520	119244	MICH	450065	1196233	CHRY5	415697!
1185	NATL	45X62X8!	1187719	FMC	471750!	1192474	CHRY5	417316!	1196233	CHRY5	455547
1185	WMG	1012N	1187720	FMC	473427	11924LPD	JN-MN	471231!	119624	C-R	471224!
1185071	FMC	471763	1187721	FMC	473467!	11924LUP	JN-MN	471231!	119640	CROSS	471760
11851	BL-KN	472015!	1187722	FMC	472492!	11925	C-R	474254	119641	CROSS	471763
1185119	FMC	450165	1187723	FMC	470380!	11925	C-R	474254*	119642	CROSS	471766!
1185119	FMC	471801!	11878	C-R	471354!	119250	MICH	482253	119643	CROSS	472258!
1185144	FMC	471267!	11879	C-R	471354=	119250	UNIVE	482253	119644	CROSS	481163!
11852	C-R	40576S	118795H1	HOUGH	410825	11926	C-R	474254	119645	CROSS	474274
1185295	FMC	472311!	1187OS	JN-MN	473238!	11926	C-R	474254*	119646	CROSS	472179
1185296	FMC	470954!	11881	C-R	471354!	1192615	CHRY5	6597S	119647	CROSS	472572!
11854	BL-KN	410308!	11881LPD	JN-MN	471504!	119262	MICH	451469	119648	CROSS	472492!
11854	FULLE	471413	11881LUP	JN-MN	471504!	119262	UNIVE	451469	119649	CROSS	472015!
11854	NAK	78X115X10	118856	US-EL	472164!	119276	MICH	450274	119650	CROSS	471272!
1185485	FMC	471737	11885665	GMC	340771	1192796	GMC	5591\$	119651	CROSS	416271!
11855	C-R	453063	118857	US-EL	471692!	1192796	WILYS	5591\$	119652	CROSS	415449!
118559	BRCWY	412119!	118858	US-EL	471192	11928	C-R	55224=	119653	CROSS	415483!
11855LDS	JN-MN	471424!	118864	CLARK	416592=	119288	CLARK	415076	119654	CROSS	416664!
1185629	FMC	471766!	1189	NATL	1960	1193	ALOY	1949	119655	CROSS	417344!
1185630	FMC	471766	11890	C-R	710068	11930	C-R	474256*	1196555	GMC	7751H
1185633	FMC	471633!	1189011	GMC	470774!	11930	C-R	474256	119656	CROSS	417349
1185642	FMC	471652	1189012	GMC	470774!	1193133	GMC	5591\$	119657	CROSS	416288!
1185643	FMC	415984!	11892	AVCO	40568S	1193151	GMC	5591\$	119658	CROSS	476470
1185687	FMC	471744!	11892	BL-KN	473229	119317	WAUKE	415442!	119659	CROSS	416294!
1185734	FMC	471808!	11893LPD	JN-MN	450339	119317	WAUKE	55442	119660	CROSS	415437
1185735	FMC	471730	11893LUP	JN-MN	450339	11932	C-R	474256*	119660	CROSS	415437!
1185769	FMC	473244!	11894	C-R	473205	11933	C-R	474256*	119661	CROSS	415937!
1185777	FMC	471737	11894LPD	JN-MN	416664!	11933	C-R	474256	119662	CROSS	415379
1185882	FMC	471224!	11894LUP	JN-MN	416664!	11934	C-R	474256*	119662	CROSS	415379!
11859	BL-KN	456105	11895	C-R	473205	11934	C-R	474256	119663	CROSS	417210!
11859	C-R	471354!	1189686	CHRY5	450808	11935	C-R	474256*	119664	CROSS	417356!
1185929	FMC	472258!	1189686	DURA	450463	11935	C-R	474256	119664	CROSS	455188
1186	BL-KN	472164!	1189686	SPICE	450808	11935A	C-R	471649!	119665	CROSS	417511

! Industrial Size/Type * Minor Width Difference \$F-M Number Is Part Of A Kit
 = The U.S. customer service number is 877-4-TIMKEN. The Canadian customer service numbers are 800-565-4927 (English) and 800-565-0438 (French-Canadian).

NUMERICAL INTERCHANGE

Mfr. No.	Name	Zero Duplication or Recommended Industrial	Mfr. No.	Name	Zero Duplication or Recommended Industrial	Mfr. No.	Name	Zero Duplication or Recommended Industrial	Mfr. No.	Name	Zero Duplication or Recommended Industrial
119666	CROSS	416891!	1199B-1666	ROCKW	370006A	11A9250	FED	472394	120060	C-R	417608*
1196668	GMC	473228!	1199B-3148	ROCKW	JV1122=	11A9260	FED	472636!	120061	C-R	417608
119667	CROSS	415196!	1199E-1669	ROCKW	JV753	11A9327	FED	415449!	12006LPD	JN-MN	470334!
119668	CROSS	416888!	1199E-2059	ROCKW	J1129	11A9419	FED	416654	12006LUP	JN-MN	470334!
119669	CROSS	416158	1199E-2527	ROCKW	J1134	11A9494	FED	416654	12007LPD	JN-MN	473367!
119670	CROSS	417247!	1199F3152	GAL	JV1126=	11A9506	FED	415449!	12007LPD	JN-MN	473367
119671	CROSS	416167!	1199J-2428	ROCKW	J1197* =	11A9508	FED	472636!	12007LUP	JN-MN	473367
119672	CROSS	415725!	1199J-2652	ROCKW	J1128	11A9508	NAFPCO	472636!	12007LUP	JN-MN	473367!
119673	CROSS	415645!	1199J-2652X	ROCKW	J1128	11A9509	FED	415449!	12009	ONAN	450269
119673	CROSS	455104	1199M3159	GAL	JV1132=	11A9577	FED	415960	1201	C-R	J729+75251S
119674	CROSS	417254	1199P3162	GAL	JV1134=	11A9655	FED	415041	12010	HERCU	412119
119675	CROSS	416666	1199P3164	GAL	JV1136	11A9670	FED	472636!	12011	C-R	31X44X8
119676	CROSS	415072	1199R3164	GAL	JV1136	11A9681	FED	410102	12011550	NOK	1953
119677	CROSS	455480!	1199S-3139	ROCKW	JV1113=	11A9682	FED	470334!	12016	CLIMX	476838!
119678	CROSS	415294!	1199T3166	GAL	JV1138=	11A9767	FED	473367	120165H	IH	412871!
119679	CROSS	417596	1199T3166	ROCKW	JV1138=	11A9767	FED	473367!	120171	MNNM	470954!
119680	CLARK	415958	1199X3534	GAL	JV1355=	11AE-0210	WHITE	6638S	120171	OLIVE	470954!
119680	CLARK	415958!	1199Z3146	GAL	JX1120	11B10141	NAFPCO	55357	1201K1	WHITE	323138!
119680	CROSS	417597	119B152	FED	473205	11B2363	FED	416654!	1202	C-R	5462\$
119681	CROSS	415116	119E-70	HWY	415449!	11B7096	FED	473228!	120243	UNIVE	473367!
119682	CROSS	415551	119E-9	HWY	472016	11B8381	FED	370036A	120243	UNIVE	473367
119683	CROSS	455406!	119E70	FWD	415449!	11B8639	FED	472394	120244	MICH	473367!
119684	CROSS	417600	119T5	WHITE	472144!	11B8943	FED	411253!	120244	MICH	473367
119685	CROSS	415124	11A1166	FED	416153!	11BE0210	WHITE	370048A	120250	MICH	473010!
1196856	GMC	331301N	11A1208	FED	417344!	11BE0210	WHITE	380048A	120250	UNIVE	473010!
1196857	GMC	331301N	11A1208	GMC	417344!	11BK126	MACK	415995!	120262	MICH	473232
119686	CROSS	417604	11A1214	FED	417316!	11BMT267	MACK	411253!	120268	UNIVE	481864
119687	CROSS	415128	11A1301	FED	471689!	11BMT340	MACK	417159	120269	MICH	481864
119688	CROSS	415090	11A1369	FED	410496!	11BMT343	MACK	415137!	120275	MICH	474274
119689	CROSS	415219	11A1466	FED	6635S	11BMT343	MACK	418028	120275	UNIVE	474274
11968SS	JN-MN	481644	11A1480	FED	417134	11BMT422	MACK	417344!	120276	MICH	450275
119690	CROSS	417606	11A2139	FED	412119	11C1677	FED	473215!	120287	MICH	473444
119691	CROSS	55223=	11A2398	FED	415023	11C4202	FED	472016	120287	UNIVE	473444
119692	CROSS	417020	11A2399	FED	473447	11CB-0210	WHITE	417254	120299	UNIVE	450415
119693	CROSS	353132	11A2520	FED	415001!	11CD0260	WHITE	370048A	120300	UNIVE	414268!
119694	CROSS	471413	11A2568	FED	415001!	11CD0260	WHITE	380048A	12030A	HERCU	472179
119695	CROSS	471224!	11A5167	FED	416288!	11CH-0210	WHITE	370003A	12031A	HERCU	417488!
119696	CROSS	473231!	11A6070	FED	5408	11EHT271	MACK	472636!	120325	UNIVE	450467
119697	CROSS	474276!	11A6071	FED	470530!	11EHT307	MACK	415449!	12032A	HERCU	4171224
119698	CROSS	471195!	11A6072	FED	472179	11FT-B-0210	WHITE	5471	12033A	HERCU	472439
119699	CROSS	450400	11A6109	FED	416738!	11G3211	LEYLD	1097N	12034A	HERCU	472492!
1197	NATL	223240	11A6109	FED	450096	11G3270	LEYLD	1097N	12038LUP	JN-MN	471526!
1197	NATL	32X48X8!	11A6205	FED	473203	11X15910A	JOHND	417563	12043247	GMC	9845
119700	CROSS	352541	11A6240	FED	410825	11X15911A	JOHND	416380!	1205-B-1250	ROCKW	386025A
119701	CROSS	412871!	11A7033	FED	472164!	11X17X4	FORSH	11X17X4	1205-B-1250	ROCKW	416158
11970SS	JN-MN	40410S	11A7073	FED	472164!	11X17X4	SIMRT	11X17X4	1205375	HOUGH	417316!
11976A	CONTI	411394!	11A7226	FED	417159	11X17X4SC	TRSCM	11X17X4	1205B-366	ROCKW	B300
11979	JOHND	473459	11A7227	FED	415137!	11X17X4TC	TRSCM	11X17X4	1205B2264	ROCKW	370001A
1198	ALOY	416273	11A7227	FED	418028	11X22X7	FORSH	11X22X7	1205D-1850	ROCKW	370037A
1198	BU-SP	472439	11A8151	FED	471192	11X22X7	SIMRT	11X22X7	1205E-1851	ROCKW	370036A
1198	C-R	415219	11A8221	FED	473473	11X22X7SC	TRSCM	11X22X7	1205E-1851	ROCKW	370349A
11981	HUB-C	471744!	11A8285	FED	417487	11X22X7TC	TRSCM	11X22X7	1205L-1260	ROCKW	370065A
11981LPD	JN-MN	416267!*	11A8318	FED	473010!	11X24631A	JOHND	417254	1205M-1469	ROCKW	370037A
11981LUP	JN-MN	416267!	11A8344	FED	470059	11X25647A	JOHND	417621!	1205M-1469	ROCKW	370338A
11982LPD	JN-MN	471818*	11A8344	FED	470380!	11X26X7	FORSH	11X26X7	1205P-1212	ROCKW	386025A
11982LUP	JN-MN	471818	11A8426	FED	415988	11X26X7	SIMRT	11X26X7	1205P-1212	ROCKW	416158
1198434	HYST	416273	11A8486	FED	415960!	11X26X7SC	TRSCM	11X26X7	1205Q2123	ROCKW	484206
119865	US-EL	416380!	11A8558	FED	417355!	11X26X7TC	TRSCM	11X26X7	1205R2488	ROCKW	100067
1198816	HYST	471684!	11A8600	FED	5751	11X30X7AS	ISP	11X30X7	1205X-752	ROCKW	6954S
1198RC	SUL	471765!	11A8729	FED	473450	12-048027	FAIRB	473228	1206	ALOY	1196
1199-B1614	WHITE	5471	11A8829	FED	50631	12-100210	TW-CO	415995!	1206	C-R	417505
11991	BU-SP	415023	11A8921	FED	415458!	1200	C-R	5460	12060LPD	JN-MN	415284
119951	GMC	417562	11A8942	FED	473231!	1200-12333LPD	JN-MN	417608	12060LUP	JN-MN	415284
119952	GMC	415645!	11A8975	FED	415960!	1200-14671STLPD	JN-MN	417608	12061	DGASK	35224
119952	GMC	455104	11A8982	FED	472144!	1200-3737LPD	JN-MN	417608	120632H	EAH	5MR71
1199596	GMC	331301N	11A8996	FED	470530!	1200-6951LPD	JN-MN	417608*	12064	ITON	5M867
1199777	GMC	7751H	11A906	OSHKO	411253!	1200-9030LUP	JN-MN	417608	1206OS	JN-MN	472636!
1199777MPM	GMC	7751H	11A9083	FED	411500	120005	SPG	712111	1207	C-R	370019A
1199A-1665	ROCKW	JV701	11A9110	FED	471766!	120017	SPG	712108	12070	JNSON	415984!
1199A-3125	ROCKW	JV1101=	11A9210	FED	472636!	120051	C-R	417608	120728	GMC	418028
1199A-3329	ROCKW	JX1990=	11A9248	FED	472394	1200530	C-R	417608	120728	GMC	455137!
1199B-1614	ROCKW	JV701	11A9249	FED	472016	1200580	C-R	417608	12075	BENDI	471442!

! Industrial Size/Type *Minor Width Difference \$F-M Number Is Part Of A Kit
 = The U.S. customer service number is 877-4-TIMKEN. The Canadian customer service numbers are 800-565-4927 (English) and 800-565-0438 (French-Canadian).

Mfr. No.	Name	Zero Duplication or Recommended Industrial	Mfr. No.	Name	Zero Duplication or Recommended Industrial	Mfr. No.	Name	Zero Duplication or Recommended Industrial	Mfr. No.	Name	Zero Duplication or Recommended Industrial
12076LPD	JN-MN	470954!	1214	C-R	417505	122062TB	TRSCM	471787!	122607	CLARK	415551
12076LUP	JN-MN	470954!	12146	JN SON	415196!	122062VH	TRSCM	471787	122664	CLARK	370020A
12078LPD	JN-MN	417596	121477R91	IH	410825	12209LUP	JN-MN	416102	12267776	GMC	471652
12078LUP	JN-MN	417596	121482	CASE	472015	1220B	GOODM	473228	12268A	C-R	450593!
1208	C-R	370005A	12149LPD	JN-MN	415124*	1220D	GOODM	473228	122690	HOUGH	473459
1208	SPG	48X72X7	12149LUP	JN-MN	415124	1221	ALOY	1955	122690H1	HOUGH	473459
12082SB	SPG	472082	1215	C-R	370003A	1221	C-R	370036A	1227	C-R	HU019A
12089LPD	JN-MN	415938*	12150A	HERCU	471795	1221	C-R	370349A	12270LUP	JN-MN	416557
12089LUP	JN-MN	415938	12151VB	TRSCM	240736!	12210LPD	JN-MN	473422	122740	CLARK	413248
1208RC	SUL	471553!	12151VB	TRSCM	343186	12212	FUNK	415995!	12278B	HERCU	415196!
1209	ALOY	1178	12152	C-R	450177	12212TB	TRSCM	471795	12283TB	TRSCM	478006
12091	ONAN	470954	12156LPD	JN-MN	417504	12212VSB	TRSCM	482230N	1229	C-R	HU014A
12092	ONAN	471554!	12156LUP	JN-MN	417504	122134	CLARK	J1138	12294LPD	JN-MN	473440!
120966	HOUGH	240735	12158	JN SON	J1130	122135	CLARK	415938	122D6	WHITE	55353
12098A	CONTI	455194	12159LPD	JN-MN	415937!	122169	LETN	J1124	122G23137	GR-DV	417967!
120A04805	TROS	480821!	1216	ALOY	1012	122169	WABCO	J1124	122G32137	GR-DV	417967!
120A05604	TROS	340413	12160	CALI	415577	122170	LETN	415437	123	WGEAR	417254
120A1000.25	TROS	342517	12161VB	TRSCM	240356!	122170	WABCO	415437	1230	ALOY	1977
120MF-23	MACK	730004	12161VB	TRSCM	340356	122177	LETN	471760	1230	C-R	HU014A
120X140X13SC	TRSCM	120X140X13!	12162SB	TRSCM	474278!	122177	WABCO	471760	12301	C-R	1121
120X140X13TC	TRSCM	120X140X13!	12162SB	TRSCM	6859S	122197	LETN	471554!	12301	C-R	710332
120X145X12SC	TRSCM	120X145X12!	12162TF	TRSCM	322353!	122197	WABCO	471554!	12302	GW!	415027
120X145X12TC	TRSCM	120X145X12!	12162TF	TRSCM	323126	1222	C-R	370036A	12302	GW!	415027!
120X150X12SC	TRSCM	120X150X12	12162VTB	TRSCM	474278	1222	C-R	370349A	12302148	GMC	442874
120X150X12TC	TRSCM	120X150X12	12163LPD	JN-MN	472012	1222	UNIVE	455037	12302149	GMC	472394
120X160X12SC	TRSCM	120X160X12	12163TB	TRSCM	474278	12220	C-R	370036A	12302150	GMC	482126
120X160X12TC	TRSCM	120X160X12	12163TM	TRSCM	353135	12220	C-R	370349A	12302151	GMC	4148
1210	C-R	417020	12164SS	JN-MN	487945	12220	DGASK	35224	12302159	GMC	412119!
1210	WMG	224015	12165	C-R	203025	122200	LETN	472185!	12303049	GMC	472560N!
12100	MICH	471103!	121693	CLARK	472924!	122200	WABCO	472185!	12303289	GMC	2146
12100	UNIVE	471103!	1217	C-R	5453	122216A	OSHKO	455820	12303340	GMC	8935S
1210076	TW-CO	413246	12172TB	TRSCM	471413!	1222309	WOOL	417621!	12303342	GMC	6936S
121012	CLARK	7700S!	12172TBY	TRSCM	7412S	122250	MICH	473234	12303343	GMC	5337
121017H1	HOUGH	473231	12172VHY	TRSCM	471413	122250	UNIVE	473234	12303470	GMC	40316S
12108	C-R	417570	12172VSB	TRSCM	471413	122262	MICH	473235!	12303471	WMG	51322
1211	C-R	5481	12173TC	TRSCM	471413	122262	UNIVE	473235!	12303524	GMC	417487
12110	JN SON	J1118	1218072	FMC	471689!	122268	UNIVE	474265	12303585	GMC	44052
12110	O-M	J1118	12182TB	TRSCM	471737	122269	MICH	474265	12303587	GMC	44053
12115LPD	JN-MN	415379	12184	DGASK	35418	12227	CLAYN	472016	12303595	GMC	417480!
12115LPD	JN-MN	415379!	12184LUP	JN-MN	5115	122275	MICH	473236!	12303596	GMC	415958
121169	CLARK	JV1133=	12187	C-R	710516	122275	UNIVE	473236!	12303596	GMC	415958!
121194VB	TRSCM	203016	121896	KOEK	417509	122287	MICH	473446	12303767	GMC	342805
1212	ALOY	1953	1218B	GOODM	470625!	122287	UNIVE	473446*	12303771	GMC	240735
12121	C-R	203016	1219	C-R	417506	1223	C-R	370036A	12303772	GMC	472560N
12122LPD	JN-MN	455194*	1219114	FMC	473437	1223	C-R	370349A	12303833	ACDEL	380003A
12122LUP	JN-MN	455194	12192VB	TRSCM	204507!	1223	C-R	380036A	12303833	ACDEL	417506
12123	C-R	450048	12192VH	TRSCM	204507!	122306	MICH	470086	12303834	ACDEL	370012A
12124	C-R	203025	12194KB	TRSCM	8429S	122306	UNIVE	470086*	12303835	ACDEL	418028
12124LPD	JN-MN	473421	12194VB	TRSCM	203029	122309	WOOL	417159	12303836	ACDEL	370019A
12124LUP	JN-MN	473421	12194VHY	TRSCM	204029	122318	UNIVE	450533	12303837	ACDEL	370021A
12125	MICH	50010*	12195	CLAYN	474281!	12232F	IH	415001!	12303838	ACDEL	370001A
12125	UNIVE	50010	121954SB	TRSCM	3199	12233TB	TRSCM	471808!	12303840	ACDEL	370023A
121250	MICH	450260	12196	CLAYN	473313	12233TB	TRSCM	471818	12303841	ACDEL	417505
121250	UNIVE	450260	121964VB	TRSCM	203012	122407A	HARWA	12X24X7	12303842	ACDEL	380131A
121268	UNIVE	450073	12196LUP	JN-MN	417365	122411R91	IH	7600S	12303842	ACDEL	416158
121269	MICH	450073	121972VB	TRSCM	441319	12243	JN SON	415234!	12303845	ACDEL	415058
121275	MICH	450284=	121974VB	TRSCM	203025	12244SS	JN-MN	342613!	12303846	ACDEL	370033A
121275	UNIVE	450284=	121982TB	TRSCM	471750!	1225	C-R	370036A	12303853	ACDEL	370003A
121277	CLARK	476470!	121982TB	TRSCM	471750	1225	C-R	370349A	12303854	ACDEL	370065A
121277	CLARK	476470	121982VAY	TRSCM	471750	12250	C-R	710172	12303855	ACDEL	370106A
1213	C-R	5495	121982VH	TRSCM	471750	12253	GEM	472560N!	12303889	ACDEL	376590A
12130	C-R	450048	121984SA	TRSCM	471750	12253LPD	JN-MN	416297	12303892	ACDEL	370005A
121305	CLARK	413247!	121SR-16	MACK	730003	12253SB	TRSCM	481833V	12303893	ACDEL	370006A
12131	C-R	450173	121SR-17	MACK	730019	12255R	OLIVE	415036	12303902	GMC	1209
12133	C-R	450173	121SR-18	MACK	730149	12256	JN SON	J1111	12303910	GMC	484058
1213305	CLARK	413247!	121SR-22	MACK	730004	12258	JN SON	416273!	12303911	GMC	340356
12133A	VICK	417600	122	WGEAR	455480!	12259	DIVCO	410308!	12303912	GMC	482253
12134	C-R	450173	122005A	HARWA	12X20X5	12259	HUGKE	410308!	12303932	ACDEL	3945
12135	DGASK	16213	12202TB	TRSCM	471766!	1226	C-R	370036A	12303932	GMC	3945
121374R91	IH	471787!	12202TB	TRSCM	471766	1226	C-R	370349A	12304127	WMG	9161
12137A	HERCU	474278!	12202VH	TRSCM	471766!	1226	CLARK	471821!	12304134	GMC	415085!
12139	JN SON	416664!	12204	WITTE	474253!	122606	CLARK	417364	12304134	GMC	456648

! Industrial Size/Type * Minor Width Difference

= The U.S. customer service number is 877-4-TIMKEN. The Canadian customer service numbers are 800-565-4927 (English) and 800-565-0438 (French-Canadian).

NUMERICAL INTERCHANGE

Mfr. No.	Name	Zero Duplication or Recommended Industrial	Mfr. No.	Name	Zero Duplication or Recommended Industrial	Mfr. No.	Name	Zero Duplication or Recommended Industrial	Mfr. No.	Name	Zero Duplication or Recommended Industrial
12304152	GMC	9376	123275	MICH	50191	12362	C-R	471413!	12405605	TROS	471267!
12304153	GMC	5072	123275	UNIVE	50191	12363	C-R	471413!	124056065	TROS	450398
12304155	GMC	417158!	12328	C-R	240736	12363	C-R	7412S	124056065	TROS	471267!
12304206	GMC	6960	123285	AM WH	417570	1236324	GMC	2043	12405608	TROS	471267!
12304211	GMC	40769S	123287	MICH	50081	12364	C-R	471413!	12406	C-R	471750!
12304224	GMC	350936	123287	UNIVE	50081*	12364LPD	JN-MN	472020	12406004	TROS	340787
12304270	GMC	4250	12329	C-R	251511	12365	C-R	471413	124063	CLARK	JV1139=
12304273	GMC	6781	1233	ALOY	1183	12365LUP	JN-MN	417598	124065	CLARK	417555!
12304275	GMC	7381S	1233	C-R	HU009A	12366	C-R	471413!	12406LPD	JN-MN	471645
12304280	GMC	2689S	12330	C-R	343186	12366	C-R	7412S	12407	C-R	204507!
12304286	GMC	9599S	123315	CUMMI	416400!	123668	CLARK	JV1128=	12407	C-R	471750
12304290	GMC	471316	12332J	DIA	410708	12366LPD	JN-MN	417351!	12407LPD	JN-MN	473238!
12304330	GMC	1955	12333LPD	JN-MN	417608	12367LPD	JN-MN	417543	12409LPD	JN-MN	415697!
12304330	GMC	52X65X9!	12334	C-R	240356	12368	C-R	471413!	12409LPD	JN-MN	455547
12304639	GMC	8429S	12335	C-R	474278	12369	C-R	471413	12409LUP	JN-MN	415697!
12304644	GMC	40286	12335	DIA	5957S	1237	ALOY	1181	12409LUP	JN-MN	455547
12304646	GMC	471652	12335	EATON	5957S	12370	C-R	471413!	1241	ALOY	224015
12304646	GMC	482208!	12336	C-R	474278!	12371	C-R	471413!	12410	C-R	50445*
12304720	WMG	7412S	12336	C-R	6859S	12371	C-R	PSK-1	12410003	TROS	252277
12304725	GMC	473234	12336358	GMC	473241	12372	C-R	471413!	12410802	TROS	340835
12304882	GMC	417158!	12336T2	DIA	473234	12372	C-R	7412S	12411	C-R	204029
12304883	GMC	415458	12337	C-R	474278	12373	C-R	471413!	12411	C-R	204507!
12304890	GMC	415960!	12337860	GM	427RR	123767	CLARK	345035	12416	C-R	471472!
12304894	GMC	2655	12337LUP	JN-MN	471281!	123779	CLARK	415389	124163	GOODM	471137
12304898	GMC	415991!	12338	C-R	474278!	12379	C-R	471737=	124163	JEFF	471137
12304898	GMC	415991	12338023	GMC	710101	1238	C-R	HU011A	124164	GOODM	473215!
123048H1	IH	470774!	12338F	DIA	472636!	12380	C-R	471737	124164	JEFF	473215!
12304972	GMC	6465	1234	WHITE	471643!	123805R91	IH	370020A	124165	GOODM	470334!
12305064	GMC	8549S	12340	C-R	471413	123805R91	IH	415351!	124165	JEFF	470334!
12305065	GMC	2642	1234003	CATER	415995	12381	C-R	471737	124166	GOODM	415960!
12305146	GMC	473228	123409	CLARK	416158	12383	C-R	471737	124166	JEFF	415960!
12305147	GMC	473452	12341	C-R	474278!	12384	C-R	471737	12416M1	C-R	471472!
12305151	GMC	410737!	12342	C-R	474278!	12384477	GMC	472572	12418	C-R	471535!*
12305152	GMC	340797	12343	C-R	471413	123848	CLARK	370012A	12419	C-R	473405*
12305156	GMC	410308!	12344	C-R	353135	12385	C-R	471737=	1241990	GMC	8835S
12305159	GMC	5202	12344	C-R	474278!	12386	C-R	471737	1241991	GMC	8660S
12305161	GMC	5203	1234498	GMC	712146	12387291	GMC	4525V	1241A3	WHITE	415284
12305164	GMC	5205	12346	C-R	474278!	12389	C-R	471737=	1242	CALI	417604
12305166	GMC	472164!	1234705	BENDI	471442!	1238D	CALI	416008	1242066	GMC	2043
12305167	GMC	471271!	1234727	BENDI	471224!	1239	ALOY	1180	1242067	GMC	2043
12305173	GMC	2506	1234835	BENDI	6863S!	12392	C-R	PSK-1	1242068	GMC	2043
12305279	GMC	417355!	1234836	BENDI	471535!	123947	CLARK	JV1136	12422	C-R	471538!*
12305279	GMC	485497	123486	CLARK	471272!	12396	C-R	3199*	12423	C-R	470506!
12305284	GMC	3604	1234885	BENDI	470954!	12398	C-R	203012*	124234	CLARK	416332!
12305323	GMC	1180	1234896	BENDI	410496!	12399	C-R	203012	12423LUP	JN-MN	416039
12305323	GMC	41X55X7!	1234899A	BENDI	471344	123G63-99	GR-DV	471766!	124250	MICH	472164!
12305324	GMC	1181	12349	C-R	240356	1240	C-R	5406	124250	UNIVE	472164!
12305324	GMC	41X56X7!	1235	ALOY	1179	12400	C-R	6906S	124256	UNIVE	472193!
12305329	GMC	7687S	1235	CALI	50631	1240037843	COLLS	472179	12426	C-R	471539!
12305330	GMC	473459	12350	C-R	322353*	12401	C-R	471750!	124262	MICH	472185!
12305331	GMC	7188S	12350	C-R	323126	124025	CLARK	417283	124268	UNIVE	470334!
12307	GWI	415832	12350	C-R	474278!	124026	CLARK	JV1190=	124269	MICH	470334!
1230781	FMC	471689!	12351	C-R	474278!	12403605	TROS	471551!	12427	C-R	471750!
1231	C-R	HU007A	12351	C-R	6859S	12403806.5	TROS	476470	124275	MICH	472179
123111	ALLCH	415995!	12355	C-R	471413!	12404	C-R	203029	124275	UNIVE	472179
12318M1	C-R	450536	12355	C-R	7412S	12404004	TROS	471255!	124276	MICH	473447
12318M1	C-R	471535!	12355	C-R	PSK-1	12404006	TROS	471255!	124278	MICH	470334!
1232	ALOY	1174	1235500	DRESS	471765!	124040065	TROS	471255!	124278	MICH	50289
1232	C-R	HU013A	123550005	EL-MO	471765!	12404205	TROS	481073	124278	UNIVE	470334!
12320	C-R	710101	12356	C-R	7412S	12404404	TROS	471553!	124278	UNIVE	50289
123207A	HARWA	12X32X7	12357	C-R	471413	12404406.5	TROS	471553!	12428	C-R	471750!
123208	CLARK	474272!	12357LDS	JN-MN	415263	12404804	TROS	471554!	124287	CLARK	416921=
12320B	C-R	450535	12358	C-R	471413!	12404808.5	TROS	471554!	124287	MICH	471141!
12320B	C-R	471264!	12359	C-R	471413!	12405	C-R	471750!	124287	UNIVE	471141!
123222SB	TRSCM	8293S	1235A	CALI	412943	12405004	TROS	481443!	12429	C-R	471750!
12325	C-R	251511	1236	C-R	HU012A	12405006	TROS	481443!	124299	UNIVE	473448
12326	EMRSN	471737	12360	C-R	712025	12405006.5	TROS	481443!	1243	C-R	100495
123262	MICH	450068	12361	C-R	471413*	12405006.5NA	TROS	481443!	1243	C-R	5601
123262	UNIVE	450068	12361	GMC	471413	12405204	TROS	471231!	124300	UNIVE	471984
123268	UNIVE	50075=	1236163	GMC	2689S	12405205	TROS	471231!	124306	MICH	473313
123269	MICH	50075=	1236164	GMC	2689S	12405206.5	TROS	471231!	124306	UNIVE	473313
123270	HYST	415960	1236165	GMC	2689S	12405604	TROS	471267!	124310	CLARK	JV1140=

! Industrial Size/Type * Minor Width Difference

= The U.S. customer service number is 877-4-TIMKEN. The Canadian customer service numbers are 800-565-4927 (English) and 800-565-0438 (French-Canadian).

Mfr. No.	Name	Zero Duplication or Recommended Industrial	Mfr. No.	Name	Zero Duplication or Recommended Industrial	Mfr. No.	Name	Zero Duplication or Recommended Industrial	Mfr. No.	Name	Zero Duplication or Recommended Industrial
124318	UNIVE	470088	12481LUP	JN-MN	416077	12530	C-R	471787*	12574	BU-SP	415035!
124319	MICH	470088*	12482	C-R	471766	12530	LEROI	471255!	12574	C-R	471795
12432	C-R	471750	12483	C-R	471766=	12530	NAPCO	472394	125742	CLARK	415035
124325	CLARK	370078A*	12484	C-R	471766*	12530L	IH	450129	12575	BU-SP	476470
12433	C-R	471750	12484	C-R	471766	12530L	IH	472826!	125769	CLARK	370109A*
124331	CLARK	J1138	12485	C-R	471766*	12531	NAPCO	410496!	12577	BU-SP	415116
124337	ISL MICH	210945	12485	C-R	471766	125318	UNIVE	450089	12577	C-R	471801!
1243396	GMC	473179	124891620	TROS	8996S=	125319	MICH	450089	12578	BU-SP	417562
1243397	GMC	473179	12489LUP	JN-MN	471270!	12532	C-R	471795	125784	ALLCH	415041
1243400	GMC	9613S	1249-026	PYUNG	225225	12532	NAPCO	471391!	12579	C-R	471801!
1243402	GMC	9613S	12491	C-R	471787	12533	LEECE	471255!	1257G	OSHKO	415988
1243465	GMC	2043	12492	C-R	471787	12534	C-R	450177	1258	LEROI	473367!
1243467	GMC	2043	12494	C-R	223255	12535	C-R	450177	1258	LEROI	473367
12436	C-R	471750	12494LPD	JN-MN	415984!	12535	LEECE	450593!	12581	FULLE	484064V
1243658	CHRYSL	5401	124973	CLARK	47602!	12536	C-R	450177	12581	KINNR	471571
1243659	CHRYSL	5403	124974	CLARK	JV1669=	12539	NAPCO	353141!	12582	C-R	42081S!
1243660	CHRYSL	5405	125012	CUMMI	415458!	125398	CLARK	JV1130=	12582	C-R	7686S*
12437	C-R	471750	125012	OLIVE	415458!	1254	ALOY	1214	12583	C-R	471801
12439	C-R	471750!	125020	CLARK	417385=	1254	LEROI	473215!	12584	C-R	471801
124394	MIHLE	416891!	125020	MIHLE	455576!	12540	NAPCO	416125!	12586	C-R	471801!
124395	MIHLE	416657	12504	C-R	471787	12541	JOHND	417316!	125880	GMC	417262!
1244	ALOY	1188	12506	GWJ	413247!	125412	BENDI	471466!	1259	LEROI	450089
1244	ALOY	224820	12508	C-R	471787	12544	LEROI	471554	12590	C-R	8293S*
1244	ALOY	48X62X8!	1251	ALOY	1213N	12544075	GMC	4813V	12590	LEROI	471442!
1244	C-R	4561V	12510	C-R	50445	12545	C-R	471795	125904	CLARK	417433=
1244	C-R	5602	125101	NAPCO	472439	12545	GWJ	417316!	125954	CEMAC	471554!
12440	C-R	471750!	125117	NAPCO	470898	12546240	GMC	417505	12596	C-R	471801
12441	C-R	471766!	12513	LEROI	471554!	12547	C-R	450177*	12597	C-R	471801
12441LPD	JN-MN	417567	12513-1	LEROI	471554!	12547	NAPCO	471341!	125A24	C-R	470954
12442	C-R	471766!	125133	LEROI	240319	12548	C-R	450177*	125A848AE1	GE	350364
12442	FUNK	415449!	12514	GWJ	472016	12549	C-R	471795	125A848AE11	GE	472951
124429	CLARK	3016	125142	LEROI	6759S	12549329	GMC	416288	125A848AE11	GE	474252
12443	C-R	471766!	12516	C-R	471472	12550	C-R	471795	125A848AE16	GE	450398
124430	CLARK	417545	125162	UNIVE	50266	12550574	GMC	100085	125A848AE16	GE	471267!
124431	CLARK	416112	12516M1	C-R	471472	12551	C-R	471795!	125A848AE2	GE	330385!
12444	CHAMP	471267!	12516M1	HU-WR	471472!	12551	NAPCO	470898!	125A848AE3	GE	471103!
124443	MIHLE	470625!	12517	LEROI	450033	12552	C-R	471795	125A848AE4	GE	320457
124445	CLARK	JV1869=	12518	C-R	471535!	12552	LEROI	450803	125A848AE5	GE	471472!
12445	C-R	471766	12519	C-R	473405	12552	NAPCO	415483!	125A848AE6	GE	472705!
12446	C-R	471766	125192VB	TRSCM	204507!	12552219	GMC	5279	125A848AE7	GE	471255!
124464R91	IH	412871!	125195	CLARK	370039A	12552427	GMC	100058	125A848AE9	GE	470954!
12447	C-R	471766!	1252	CLIMX	450655=	12552428	GMC	100058	125A848AF1	GE	472843
12448	C-R	471766!	1252	LEROI	450655=	12552A	C-R	471689!	125A848AF2	GE	471763
124480	CLARK	370082A*=	12522	C-R	471538!	12553	C-R	471795	125A848AF3	GE	470590
1245	C-R	5603	12522	LEROI	411253!	12555767	GMC	600305	125A848AK5	GE	471472!
12450	C-R	471766!	12523	C-R	470506	12555769	GMC	5512	125A848BC1	GE	473237!
12453	C-R	471766!	125236	LEROI	6489	12556107	GMC	710262*	125A848BC2	GE	471564
124536R91	IH	410308!	125238	LEROI	204035	12556355	GMC	710262*	125A848BF1	GE	473454
12454	C-R	471766!	125238	WABCO	204035	12557688	GMC	100085	125A848BF2	GE	471766!
12456	C-R	471766!	12523M1	C-R	470506	12558-1	LEROI	415001!	125A848BJ2	GE	6668S
12458	C-R	471766*	125248	CLARK	8126S	125584	HYST	415725!	125A848BJ4	GE	471267!
12458	C-R	471766!	12526	BU-SP	471267!	12559	C-R	1070=	125A848BR1	GE	471255!
12461	C-R	471766!	12526	C-R	471539!	12559-1	LEROI	415960!	125AM24	C-R	470954
12461	DIVCO	470954	12526	LEROI	240319	1255938	GMC	712146	125AMM24	C-R	470954
124633R91	IH	471570	125262	MICH	50266	1256	LEROI	470059	125AMM24Q6Y2	C-R	470954
12464	C-R	471766!	125262H1	HOUGH	470898	1256	LEROI	470380!	125E22	EATON	JV1277=
12466	C-R	471766*	125268	UNIVE	450269	125625	CLIMX	417254	125G24	C-R	470954!
12466	C-R	471766!	125269	MICH	450269	125625	WAUKE	417254	125HD24	C-R	470954!
12467	C-R	471766*	12526C	MASSE	5M643	12564LDS	JN-MN	471567!	125HD24-Q6	C-R	470954!
12467	C-R	471766!	12526M1	C-R	471539!	12565	C-R	471795	125HM24	C-R	470954!
12469	C-R	471766*	12527	C-R	471787!	12565LDS	JN-MN	415991!	125W225	CONE	5166
12469	C-R	471766!	12527	LEROI	470590	12565LDS	JN-MN	415991!	125X150X12SC	TRSCM	125X150X12!
12471686	GMC	4762N	12527	NAPCO	480630!	125663	HYST	473367	125X150X12TC	TRSCM	125X150X12!
12472	C-R	471766*	125275	MICH	450285	125689	HYST	417350!	125X155X12ASN	ISP	125X155X12
12472	C-R	471766	125275	UNIVE	450285	12569	C-R	471795	125X155X12ASN(32)	ISP	125X155X12
12473	C-R	471766*	125276	MICH	471866!	125694R91	IH	470954	125X160X12SC	TRSCM	125X160X12
12473	C-R	471766	12528	C-R	471787!	12570	C-R	471795	125X160X12TC	TRSCM	125X160X12
12475	C-R	471766	12528	LEROI	481073	125710	HYST	471554!	1260	ALOY	482126
12478060	GMC	470530	12528LPD	JN-MN	472572!	125716	CUMMI	471141!	12600	C-R	471801=
12480	C-R	471766	12529	C-R	471787	125716	OLIVE	471141!	12606	BU-SP	416125!
12480L	IH	450593!	12529	LEROI	240462	125722	CUMMI	472144!	126107C1	IH	470712!
12481	C-R	471766	12529	NAPCO	411330!	125722	OLIVE	472144!	1261171	CHRYSL	470774!

! Industrial Size/Type * Minor Width Difference

= The U.S. customer service number is 877-4-TIMKEN. The Canadian customer service numbers are 800-565-4927 (English) and 800-565-0438 (French-Canadian).

NUMERICAL INTERCHANGE

Mfr. No.	Name	Zero Duplication or Recommended Industrial	Mfr. No.	Name	Zero Duplication or Recommended Industrial	Mfr. No.	Name	Zero Duplication or Recommended Industrial	Mfr. No.	Name	Zero Duplication or Recommended Industrial
12613	C-R	471808!*	127006	ALLCH	455031!	12765	C-R	32X58X8!	12834	C-R	473424!*
12614	C-R	471808!*	1270137	CHRY5	417267	12766A	C-R	415137!	1284	ALOY	444116
12615	C-R	471808!	12705	C-R	223220	12766A	C-R	418028	128400	CLARK	415458
126150	BENDI	351487	12706	C-R	223220	1277	ALOY	1973	128401	CLARK	416921
126158	OLIVE	471689!	127063	HOUGH	412119!	12770	C-R	32X60X10!*	12842LDS	JN-MN	471272!
12616	C-R	471808!	127063H1	IH	412119	12770	C-R	32X60X8!	128434	GMC	471270!
12621	C-R	471818*	1270786	CHRY5	370036A>	1277110	BENDI	471689!	1285	ALOY	2002
126214C91	IH	481163!	1270786	CHRY5	370349A%	127719	EATON	416654	1285-043	PYUNG	223606
12622	C-R	471818	12709	C-R	223230	127720	EATON	415458	12852	C-R	450124=
126262	MICH	472070	12709	C-R	32X45X7!	127721	EATON	9773	12853	C-R	450124=
126262	UNIVE	472070	12710	C-R	223230*	1277238C1	IH	370082A=	128576	CLARK	415960
126268	UNIVE	471866!	12710	C-R	32X45X7!	12772LUP	JN-MN	415294!	12857G	CLARK	415960!
126269	MICH	471866!	12711	C-R	223230	12773LPD	JN-MN	417539!	12859	C-R	473421
126275	MICH	473449	12711	C-R	32X45X7!	12780	C-R	32X62X8	12859	FULLE	472560N
126275	UNIVE	473449	127144	HOUGH	410524	12782	C-R	32X62X8	12861LPD	JN-MN	415284
126276	MICH	480281!	127144H1	HOUGH	410524	127832	CLARK	3369* =	12865	C-R	473211!
126287	MICH	473450	127145R91	IH	240733	127891	CLARK	416556!	12866	C-R	473211!
126287	UNIVE	473450	12718	C-R	223235	127891	CLARK	472157	12866	JOHND	471612
126299	UNIVE	450193=	12718LPD	JN-MN	415832	1279	ALOY	5697	1287	ALOY	1884
1263020	CHRY5	5401	12719	C-R	223235*	12790	C-R	32X72X8	1287002	GMC	5M81
1263021	CHRY5	5403	12719	C-R	32X46X6!*	127920	LEYLD	471192	12876LUP	JN-MN	471255!
1263022	CHRY5	5405	1272	ALOY	442874	127968R91	IH	5778	12877	C-R	473212!
12631	C-R	471407*	12725LPD	JN-MN	480491*	127979R91	IH	40185	12878	C-R	473212!
126318	UNIVE	450090	127262	MICH	473451!	127989	CLARK	416271* =	1288	ALOY	225230
126319	MICH	450090	127275	MICH	473452	1280	ALOY	5604	128819	C-W	330385!
12636	GW!	470712!	127275	UNIVE	473452	12800	AMBR	473464!	12883	C-R	710328*
1263697	CHRY5	6270	127287	MICH	473453	12800	AMBR	473464	12883	FULLE	471224
12637	C-R	471833*	127287	UNIVE	473453*	128047R91	IH	415458!	128847	EATON	370001A
12638	C-R	481833V	1273	ALOY	1217	1281	ALOY	3622	128847	EATON	380001A
12638LPD	JN-MN	55524	12730	C-R	32X47X7!*	1281	C-R	HU070A	12886	C-R	223340
1264320	KEN	473243	12730	C-R	3476*	12810	C-R	710070	128861	EATON	370003A
12650	HEIL	471466!	12730	C-R	710310*	12810004	TROS	472311!	128861	EATON	380003A
1265068	CHRY5	472636!	1273095	CHRY5	6597S	128117	CLARK	370051A	1289	ALOY	4160
126537	C-W	417596	12731	C-R	3476	128119	HYST	473237!	128918	DURA	471766!
12654LPD	JN-MN	417210!	12732	AIRCO	340823	12812	C-R	223235	128918	FORD	471766!
12655	C-R	451845	12733	C-R	3476	12815013A	HARWA	128X150X15	128943	CLARK	3594* =
1266	ALOY	3395	12733	C-R	710310	12819	C-R	51032S	12894SS	JN-MN	473224!
1266-D6	REO	370023A	12734	C-R	32X48X8!	1282	C-R	H075	128953H	IH	450084!
12660	C-R	450341	12735	C-R	223240*	12820	C-R	470050*	128X150X15	SIMRT	128X150X15
126643	OLIVE	471141!	12735	C-R	32X48X8!	128203TB	TRSCM	353137	128X150X15SC	TRSCM	128X150X15
12666	CHAMP	416345!	12737	C-R	32X52X7V	128203TB	TRSCM	473424!	128X150X15TC	TRSCM	128X150X15
12668	C-R	710410	12738	C-R	32X50X8!*	12821	C-R	470050	1290	ALOY	225110
1266810	CHRY5	6635S	127381R1	IH	40185	12822	C-R	470050	12900	C-R	1168
126691	AM WH	471649!	12739	C-R	710164*	12823	C-R	470050	12900	C-R	33X50X12!
12670	C-R	478086	12740	C-R	32X50X8!	128233R91	IH	451948	12901	C-R	1168*
1267215	CHRY5	6638S	12740	C-R	710164	128234R91	IH	451948	12901	C-R	33X50X12!*
12673	C-R	470806*	12741	C-R	710164	128262	MICH	472439	12901	JNSON	472179
12673	CHAMP	415027	12742	C-R	223255	128262I	MICH	40071S	12905	C-R	471193
12673	CHAMP	415027!	12742	C-R	32X52X7!	128262SL	MICH	472439	129054	US-EL	471141!
12673	DOMIN	415027	12743	C-R	32X52X7V	128269	MICH	471868	12907	C-R	3348
12675LPD	JN-MN	50560	12744	C-R	223255	128275	MICH	472572!	12909E	OSHKO	475348N
126769	HYST	40627S=	12744	SPICE	470950!	128275	UNIVE	472572!	12909F	OSHKO	475348N
12677	C-R	453279	12744	SPICE	6241S	128276	MICH	473179!	1290K1	WHITE	450400
1267752	CHRY5	5406	12745	C-R	223255*	128278	MICH	414045!	1291	ALOY	225020
1267753	CHRY5	5406	12745	C-R	32X52X7!*	128278	UNIVE	414045!*	12910	C-R	471193
12677LDS	JN-MN	415937!	12746	C-R	223252*	12828	LEROI	481073	12912	C-R	710132
12678	C-R	453279!	12747	C-R	223253	128287	MICH	473238	1292	ALOY	226285
12678LPD	JN-MN	452742	12748	C-R	710306	128287	UNIVE	473238!	129220	US-EL	340356
126797	AM WH	417497	12749	C-R	223240	128299	UNIVE	450084!	12925	C-R	710043
1268-D6	REO	370019A	12751	C-R	2008	12830	C-R	473424!	12929LUP	JN-MN	417601
126839	OLIVE	470774!	127513C1	IH	471787!	128300	MICH	450084!	129303H	IH	472636!
12685	C-R	8429S	12752	C-R	32X50X8!	128300	UNIVE	473239	129345S	JN-MN	481534
12687	AM BR	471760	127540	C-R	325940=	128301	MICH	473239	129370	HOUGH	412119
12688	C-R	8429S	12755	C-R	32X55X10	128306	MICH	473457!	129386	JEFF	416339
1269681	CHRY5	472636!	12755	C-R	451845	128306	UNIVE	473457!*	129386	JEFF	455031!
12697	C-R	32X42X8!*	127594H1	HOUGH	240151	12830LPD	JN-MN	473211!	129387	JEFF	476838!
12697	C-R	710282*	1276	ALOY	415960	128312	UNIVE	473240!	1294	ALOY	223605
12698	C-R	223215	12760	C-R	32X56X10!*	128318	UNIVE	473458!	12940A	HERCU	415991
12700	C-R	223215*	12763	C-R	223275	128319	MICH	473458!*	129418R91	IH	5778
12700	C-R	32X42X7	12763	C-R	32X56X10!	12831STLPD	JN-MN	415219	129419R91	IH	5778
12700	C-R	32X42X8!*	12764	C-R	223275	12832	FULLE	473473	129473	JEFF	411253!
127006	ALLCH	416339	12764	C-R	32X56X10!	12833	C-R	473424!	129474	JEFF	415001!

! Industrial Size/Type *Minor Width Difference > Hub Mount % Spindle Mount
 = The U.S. customer service number is 877-4-TIMKEN. The Canadian customer service numbers are 800-565-4927 (English) and 800-565-0438 (French-Canadian).

Mfr. No.	Name	Zero Duplication or Recommended Industrial	Mfr. No.	Name	Zero Duplication or Recommended Industrial	Mfr. No.	Name	Zero Duplication or Recommended Industrial	Mfr. No.	Name	Zero Duplication or Recommended Industrial
129498	HYST	200870	12X32X7	SIMRT	12X32X7	130271	ATHEY	472636!	130528	SPG	370023A
129499	HYST	JV980=	12X32X7SC	TRSCM	12X32X7	130272	ATHEY	411253!	130528	SPG	5667
1294991	GMC	8660S	12X32X7TC	TRSCM	12X32X7	130278	ATHEY	416444	130534	HOUGH	472924!
129503R91	IH	471267!	12X35X7SC	TRSCM	12X35X7	130279	ATHEY	412119!	130534H1	HOUGH	472924!
12951	DIA	5M867	12X35X7TC	TRSCM	12X35X7	130287	MICH	472144!	13053RD	ITM	222860
12951	EATON	5M867	1300	ALOY	1165	130287	UNIVE	472144!*	13053RD	ITM	28X47X7!
1295A3	WHITE	412119!	1300-044-001	WARNR	330385!	130289	ATHEY	415458!	13055	VIC	HU036A
1296	F-R-H	472287!	1300-044-009	WARNR	714503	130294	ATHEY	417316!	13057	VIC	HU110A
129611	C-R	415482	1300-044-011	WARNR	710402	130295	ATHEY	415960!	130575	SPG	24X37X7
129636	GOODM	473225!	1300-044-012	WARNR	7692S	130299	UNIVE	473460	130578	SPG	222242
129636	SUL	473225!	1300-044-014	WARNR	4503N	1303	C-R	5666	13058	VIC	HU008A
1296810	GMC	40369S	1300-044-015	WARNR	7412S	130300	MICH	473460	130583	SPG	6X16X7
1296879	GMC	40370S	1300-044-019	FORD	710426	130300	UNIVE	472394	13059	VIC	H075
1296913	GMC	40286	1300-044-019	WARNR	710426	130301	MICH	472394	13059LUP	JN-MN	471466!
1296A3	WHITE	472157	1300-044-020	FORD	710431	1303012	CLARK	471442!	1306	C-R	370046A
129717	GMC	416158	13000	VIC	HU019A	130303	ATHEY	415995!	1306	C-R	5100
12980	LISLE	RD2001	1300016002	WARNR	4503N	130306	ATHEY	417488!	13060	C-R	472826!*
12981	TMTR	471504!	130003	SPG	712105	130306	MICH	473461!	13061	VIC	HU037A
129828R91	IH	473460	130005H1	IH	417351!	130306	UNIVE	473461!*	130612H	IH	471570!
12984	OLIVE	473215!	13001	CHRY5	472179	130312	UNIVE	471391!	13062	VIC	HU039A
129851	GOODM	417485	1300113212	TROS	415077	130313	MICH	471391!	13062LPD	JN-MN	473413
129851	JEFF	417485	130013	SPG	313842	1303139C91	IH	470898	13063T	JOHND	471466
129852	GOODM	416738!	130018R91	IH	415449!	130315	ATHEY	417485	13064	VIC	HU065A
129852	GOODM	450096	13002	VIC	HU007A	130318	UNIVE	473462	130643	LEYLD	1035=
129882	GOODM	473229	130028	SPG	221207	130319	MICH	473462	130645R91	IH	471267!
129882	JEFF	473229	13003	VIC	HU008A	1303281	EATON	J1114=	13066LPD	JN-MN	224570
129899	GOODM	415001!	130031	SPG	221735	13033	C-R	473422	13066LPD	JN-MN	45X72X12!
129899	JEFF	415449!	130047	SPG	223510	13033	VIC	HU070A	13067	VIC	HU149A
129915	ALLCH	417316!	130048	JEFF	410694!	130331	ATHEY	455024	130671H	HOUGH	471341!
12993	JNSON	J1103	13005	C-R	710124	130334	ATHEY	417191	1306742	GMC	470530!
129935	GOODM	415960	13005	VIC	HU011A	130334	ATHEY	456585	1306743	GMC	450307
129935	JEFF	415995!	13006	VIC	HU012A	130337	ATHEY	415025	13068	VIC	HU149A
129936	HYST	471835!	130061	ALLCH	417171!	130342	ATHEY	415991	13068LPD	JN-MN	471567!
129941	ALFAR	713016	13007	VIC	HU013A	130342	ATHEY	455146!	1307	C-R	5649
129945	GOODM	471354!	130078	SPG	6815	130354	MICH	417474*	13070	C-R	472826
12A10039	NAPCO	6638S	13008	VIC	HU014A	13037	C-R	473210	13070	CHRY5	473457!
12A2500	MINNM	472492!	130093	SPG	4175	130370	GOODM	455008	13071	C-R	472826
12A500	MINNM	472492!	130096	SPG	2027	1303701	ATHEY	471341!	13071	VIC	HU036A
12A7000	FED	470088	130102	GOODM	471787!	130375	ATHEY	417366!	13073	ATHEY	471224!
12A7050	FED	472924!	130108	ATHEY	471765!	130376	US-EL	416107!	130731	US-EL	470625!
12A7106	FED	5M466	130117	ATHEY	471750!	130376	US-EL	455073	13074	ATHEY	471649!
12A7123	FED	450467	130122	ATHEY	471801!	130377	US-EL	415379	130748	US-EL	473016!
12A7823	FED	5MR71	130137	ATHEY	450054	130377	US-EL	415379!	13075LUP	JN-MN	418028
12A8121	FED	471316	130141	ATHEY	473215!	130380	ATHEY	415187	13076	C-R	473421
12H5079	ROVER	712134	13015	C-R	240716	130388	ATHEY	417223	13077	C-R	473421
12QD282	MACK	JV1850=	1301588	ATHEY	473440!	13039	C-R	472826	1308	C-R	370023A
12X14333A	JOHND	416404!	130169	SPG	350435	13039	VIC	HU110A	1308	C-R	5667
12X14346B	JOHND	471866=	13017	TLSMI	417158=	13040	C-R	472826	1308107	CATER	39889
12X14360A	JOHND	473227!	13017	VIC	HU024A	13043	VIC	HU005A	13083	C-R	473421*
12X15982A	JOHND	472258!	13018	TLSMI	416888	130437	ATHEY	417538	13084	C-R	473421*
12X19X5SC	TRSCM	12X19X5	130189	HOUGH	418028	13044	FULLE	418028	1308521	ALLCH	417562
12X19X5TC	TRSCM	12X19X5	13019	TLSMI	416624	13044	FULLE	455137!	13091	C-R	473211!
12X20X5	FORSH	12X20X5	13019	VIC	HU028A	130447	ATHEY	416865!	13092	C-R	473211!
12X20X5	SIMRT	12X20X5	130199	ATHEY	472185!	130448	ATHEY	417546!	13093	C-R	473211!
12X20X5SC	TRSCM	12X20X5	13020	C-R	6370N	13044LPD	JN-MN	25X47X7	13097	NAPCO	417513
12X20X5TC	TRSCM	12X20X5	13020	VIC	HU028A	13045	VIC	HU019A	13098	NAPCO	417554!
12X22X7SC	TRSCM	12X22X7!	1302012	CLARK	471442!	130454	ATHEY	416476!	130981	ATHEY	471692!
12X22X7TC	TRSCM	12X22X7!	130204	ATHEY	471141!	130455	ATHEY	415072	13099	ATHEY	472185!
12X24X7	FORSH	12X24X7	130205	ATHEY	473313	130457	SPG	320457	130X160X12SC	TRSCM	130X160X12
12X24X7	SIMRT	12X24X7	130206	ATHEY	470088	13046	VIC	HU036A	130X160X12TC	TRSCM	130X160X12
12X24X7SC	TRSCM	12X24X7	13021	C-R	6370N	13048	VIC	HU031A	130X160X15SC	TRSCM	130X160X15
12X24X7TC	TRSCM	12X24X7	130228	ATHEY	472439	13049	VIC	HU036A	130X160X15TC	TRSCM	130X160X15
12X25X5ASN(32)	ISP	12X25X4.5	13023	VIC	HU034A	1304OS	JN-MN	417600*	130X170X12	ISP	130X170X12
12X25X7SC	TRSCM	12X25X7	130233	ATHEY	473238	1305-D6	REO	370030A	130X170X12(35)	ISP	130X170X12
12X25X7TC	TRSCM	12X25X7	130236	ATHEY	473457!	13050	C-R	472826!	130X170X15SC	TRSCM	130X170X15
12X26X7SC	TRSCM	12X26X7	13024	VIC	HU042A	13050	VIC	HU066A	130X170X15TC	TRSCM	130X170X15
12X26X7TC	TRSCM	12X26X7	1302481	ATHEY	471391!	1305044	GMC	5587	131-405-641A	VW	1165
12X28X7SC	TRSCM	12X28X7	13025	VIC	HU044A	1305044	GMC	710163	1310194	GMC	340724!
12X28X7TC	TRSCM	12X28X7	130250	ATHEY	470530!	13051	C-R	472826!	13103	C-R	473211!
12X30X7SC	TRSCM	12X30X7	13026	VIC	HU009A	13051	VIC	HU057A	13104	C-R	473211!
12X30X7TC	TRSCM	12X30X7	130268	ATHEY	413469!	13052	C-R	472826!	13106C	MASSE	415001!
12X32X7	FORSH	12X32X7	13027	C-R	473423*	13052	VIC	HU058A	1311035	WOOL	415379!

! Industrial Size/Type * Minor Width Difference

= The U.S. customer service number is 877-4-TIMKEN. The Canadian customer service numbers are 800-565-4927 (English) and 800-565-0438 (French-Canadian).

NUMERICAL INTERCHANGE

Mfr. No.	Name	Zero Duplication or Recommended Industrial	Mfr. No.	Name	Zero Duplication or Recommended Industrial	Mfr. No.	Name	Zero Duplication or Recommended Industrial	Mfr. No.	Name	Zero Duplication or Recommended Industrial
1311035	WOOL	415379	1318RC	SUL	415988	132234SB	TRSCM	9161	133892	CROSS	413478
131111	C-R	473212!	13190	C-R	473213!	13223TB	TRSCM	473214!	133893	CROSS	417159
131116	C-R	415076*	13192TB	TRSCM	1987	13228	C-R	353132	13399	C-R	6906S
13111C	MASSE	415085!	131932R91	IH	472394	132282VB	TRSCM	42763!	133A	HYST	471224!
13111C	MASSE	456648	13193PSB	TRSCM	482163!	132282VB	TRSCM	50402	134102	JEFF	471255!
13112	C-R	473212!	131955PTZ	TRSCM	2443	132283SP	TRSCM	5131	13414LUP	JN-MN	417349!
131201	EMSCO	473205	13195F	IH	473225!	1322D	GOODM	474274	134154	US-EL	471571
131203SB	TRSCM	472826!	13195G	IH	473225!	13232VHY	TRSCM	43089S	13418	C-R	5124
131203TB	TRSCM	472826!	13197	DIVCO	340797	13233SB	TRSCM	473215!	13419	C-R	9161
131206	EMSCO	473473	131983SA	TRSCM	482163	13233SB	TRSCM	473215!	13420	C-R	473435
13121	CHRY	3173	1319RC	SUL	415379	13233TB	TRSCM	473215!	13421	C-R	473435*
131210	EMSCO	417548	1319RC	SUL	415379!	13234VHY	TRSCM	204027	134213TL	TRSCM	473435
131211	EMSCO	417082	132	C-R	BS5974	13241LDS	JN-MN	476470	13423	C-R	223400
131213TB	TRSCM	473211!	13200	C-R	473213!	13242	C-R	481834	134241R91	IH	40185
131223SB	TRSCM	473212!	13203SB	TRSCM	472258	1324262	CHRY	5414	13425	C-R	223410
131274R91	IH	415991	13203TA	TRSCM	472258	132435-H-20	IH	470625!	13425	C-R	223420
131274R91	IH	455146!	13203TB	TRSCM	472258!	132435H10	IH	416888!	13425	C-R	710416
131280	EMSCO	417354!	13203VSB	TRSCM	472258	13244SA	TRSCM	6241S	13426	C-R	223420
131281	EMSCO	417354!	13203VTB	TRSCM	472258	13246	C-R	2300	13427	C-R	710236
1312866	CLARK	40520S	13204004	TROS	471564	132563TB	TRSCM	473258!	13428	C-R	223430
131287	UNIVE	450474*	13204405	TROS	471579	132563VTB	TRSCM	473258	13428	C-R	710417
131299	UNIVE	50528	13204804	TROS	471567!	132607A	HARWA	13X26X7	134299	GOODM	471649!
1312RC	SUL	418028	13204806	TROS	471567!	1326093	CHRY	5414	134299	JEFF	471649!
1312RC	SUL	455137!	13204806.25	TROS	471567!	132628R91	IH	7600S	13430	C-R	34X52X8
131308H	IH	471103!	13205005	TROS	481568!	13265SL	TRSCM	450776!	13431	C-R	34X52X8!
13135LPD	JN-MN	481537	13205205	TROS	474253	132707R91	IH	471466!	134311	MIHLE	455943=
13140	C-R	473212!	13205206.25	TROS	474253	13273SB	TRSCM	323125	134313	MIHLE	415379!
13143	DIA	6090S	1320527	CHRY	12473	13275	C-R	450147	134313	MIHLE	415379
13143	EATON	6090S	13205604	TROS	471570!	1328011	BENDI	473227	1343260	GM	421
131484R91	IH	417484!	13205606	TROS	471570!	13283TB	TRSCM	473197!	13433	C-R	34X52X8
131526	SPEY	415960	13205606.25	TROS	471570!	132867H	IH	473010!	13436	C-R	473436
1315476	CHRY	5406	13206006	TROS	471571	13287LDS	JN-MN	473197	13436LPD	JN-MN	455129
13157	C-R	40769S	13206006.25	TROS	471571	13292LPD	JN-MN	415187*	13437	C-R	473436*
131575	HOUGH	471224!	13206205	TROS	472324!	1329602	BENDI	471820	13438	C-R	34X54X9
131575H1	HOUGH	471224!	13206206.25	TROS	451583!	132P3	WHITE	45653S	134380H1	HOUGH	410308!
13158	C-R	40769S	132062SC	TRSCM	6760S	1330	CALI	455005	13438LPD	JN-MN	471686
13159	C-R	40769S	13206305	TROS	472324!	1330006C1	IH	415984!	13439	C-R	710110
13160LPD	JN-MN	90X120X12	13206306	TROS	472324!	13302	DIVCO	471827	134399	GOODM	471649!
13163LPD	JN-MN	471526!	13206306.25	TROS	472324!	1330B	GOODM	473010!	134399	JEFF	471649!
13164	C-R	5131	132063SB	TRSCM	470774!	13315LDS	JN-MN	416271!	13441	C-R	710110
13165	C-R	5131	132074	ROSS	472560N!	13316LDS	JN-MN	472636!	13442AS	HERCU	8370S
13166E	JOHND	204002	1320B	GOODM	473010!	13316X	MASSE	417344!	13445	C-R	34X55X9!*
1316788	CHRY	470954!	1320D	GOODM	473234	1331RC	SUL	456105	13445	C-R	473812
13168	C-R	5131	1320RC	SUL	416339	1332113212	TROS	415076	13448LUP	JN-MN	471472!
1316815	CHRY	411	1320RC	SUL	455031!	133224R91	IH	470954	134494	JEFF	415025
13169	C-R	40769S	1321	C-R	5076	13336A	HERCU	473236!	1345-044-003	WARNR	472572
131704	HOUGH	471760	13210	C-R	473213!	13339	DIVCO	470898	1345-044-044	WARNR	473237!
131704H1	HOUGH	471760	13210004	TROS	471224!	1333OS	JN-MN	415045!*	13450	C-R	34X56X8
13170X	MASSE	471735	13210005	TROS	471224!	133456	HYST	471737	1345044004	WARNR	473237!
13171VB	TRSCM	340853	13210006	TROS	471224!	133494R1	IH	415449	13451	C-R	50168
13172LDS	JN-MN	416888!	13210006.25	TROS	471224!	133494R2	IH	415449	13452	C-R	710314
13173LDS	JN-MN	416156	13210008	TROS	471224!	133494R92	IH	415449	13458LUP	JN-MN	450593!
13175	C-R	40769S	13210008.5	TROS	471224!	1334OS	JN-MN	417601	134592	GOODM	50199S!
13177B	MASSE	450129	13210405	TROS	480210!	13350	C-R	484054*	134592	GOODM	6863S!
13177B	MASSE	472826!	13210406	TROS	480210!	133522	HYST	J1120=	134592	JEFF	50199S!
13178B	MASSE	473225!	13210406.25	TROS	480210!	133523	HYST	455019!	134592	JEFF	6863S!
13179	C-R	40769S	13210408.5	TROS	480210!	13353X	MASSE	473367	1346034	GMC	470774!
13182SB	TRSCM	323138!	132104X03.5	TROS	9376	13353X	MASSE	473367!	13462	CHRY	473457!
13183P	ITM	1012	13210803	TROS	340815	13355X	MASSE	473225!	13463	C-R	34X60X8
13183P	ITM	1012N	13211602	TROS	240736	1335716	GMC	472164	134631	SPICE	471466!
13183P	ITM	45X62X8!	132123TB	TRSCM	471192	1335RC	SUL	416666	134632	SPICE	473231
13183PSL	TRSCM	6370N	132123VTB	TRSCM	471192!	133607H	IH	474281!	134633	SPICE	471192
131872SB	TRSCM	472354	13213TB	TRSCM	472287!	133675	JEFF	417481	134634	SPICE	471765!
131872SB	TRSCM	484156V!	13214SA	TRSCM	471192	133800	C-R	340X380X20*	13466	C-R	450054
131872VB	TRSCM	472354!	13219X	MASSE	471466!	13385	GW	481568!	134661	SCHWI	472015
131872VB	TRSCM	484156V	1322	C-R	5089	133853	US-EL	481443!	13467	C-R	450054
131872VL	TRSCM	472354	13220	C-R	473213!	13386F	OSHO	218	134670	SCHWI	472015=
131872VSB	TRSCM	484156V	13221	C-R	473213!	133887	CROSS	471354!	1346883	GMC	470774!
131873TB	TRSCM	472354!	132214	SCHWI	471763	133888	CROSS	474264	13469LPD	JN-MN	481073
131876R91	IH	472394	132222D	GARLK	5124	133889	CROSS	474265	1347-001	PYUNG	223420
13189	C-R	473213!	1322309	WOOL	417621!	133890	CROSS	472144!	1347056	GMC	331301N
1318929	GMC	472164	132233SB	TRSCM	484058	133891	CROSS	472636!	134717	HYST	471231!

! Industrial Size/Type * Minor Width Difference

= The U.S. customer service number is 877-4-TIMKEN. The Canadian customer service numbers are 800-565-4927 (English) and 800-565-0438 (French-Canadian).

Mfr. No.	Name	Zero Duplication or Recommended Industrial	Mfr. No.	Name	Zero Duplication or Recommended Industrial	Mfr. No.	Name	Zero Duplication or Recommended Industrial	Mfr. No.	Name	Zero Duplication or Recommended Industrial
1347413	GMC	471821!	13550	C-R	472354!	136002H1	IH	472409!	136702H1	IH	472439
13475	C-R	223462	13551	C-R	472354!	13602	C-R	472287!	13671	C-R	473214!
13475	C-R	34X62X10!*	1355173	CATER	5370	13603	C-R	472287!	13672	C-R	473214!
13475	C-R	710422	13552	C-R	1987	13604	BU-SP	415645!	13672	CHRY	3173
13477E	IH	415001!	13553LPD	JN-MN	417344!	13604	BU-SP	455104	13672	GARLK	3173
13478	C-R	710109	13554	C-R	482163!	13607	C-R	470774	1367260	OSHKO	415938
13483	C-R	223462	13554LUP	JN-MN	473016!	136088	GOODM	471645	136734	HOUGH	455330!
13483	C-R	34X62X10!	13557	C-R	714655!	1361	ALOY	224045	136734H1	IH	455330!
13484	C-R	710151	13559	C-R	472258!	13610004	TROS	471270!	136735	HOUGH	473238
13491	GARLK	710005	13560	C-R	472258*	13610006	TROS	471270!	136735H1	IH	473238
13491	NEWPR	710005	13561	C-R	472258	13610406	TROS	450188	136735H2	HOUGH	473238
13492	C-R	8594S*	13562	C-R	472258!	13610804	TROS	472560N!	13673LPD	JN-MN	471689!
134928R91	IH	471267!	13563	C-R	472258*	13610805	TROS	472560N!	13674	IH	455330!
13495	C-R	710250	13564	C-R	472258*	13610806	TROS	472560N!	13676	C-R	473214!
134989	NRWST	471424!	13567	BU-SP	471652	13618	C-R	471551	13676	C-R	5204
134FF28	C-R	471267!	13567	C-R	472258!	13618	MALL	480210!	136762R1	IH	473367!
13500	C-R	8133S	13568	C-R	472258!	13618M1	C-R	471551	136762R1	IH	473367!
13508	C-R	8549S*	13569	C-R	472258!	13619	C-R	471558*	136763R1	IH	50075=
13511	C-R	484156V	13571	C-R	472258	13620	C-R	471255	136771	SPERY	322353
13512	C-R	472354	13571LPD	JN-MN	471424!	136203SB	TRSCM	51322	136771	SPERY	474278!
135127	ALLCH	415371	13572	C-R	472258	136206	GOODM	415938	13678	C-R	473214
13516M1	C-R	471549!	135722	ALLCH	415138!	136206	JEFF	415150!	13679	C-R	473214
13517LDS	JN-MN	473367	13573	C-R	40522S	13620M1	C-R	471255	13680	C-R	473214!
13518	C-R	471551	1357370	GMC	8594S	13621	C-R	481073*	1368068	GMC	331301N
13518LDS	JN-MN	417621!	13574	SPICE	473442!	13622	C-R	471553!	13682	C-R	473214!
13519	C-R	471558*	13575	C-R	470774!	13623	C-R	50026*	13684	C-R	473214!
13520	C-R	471255	13576	C-R	470774!	136233H2	IH	417597	13685	C-R	2655
13521	C-R	481073	13577	C-R	470774!	136234SB	TRSCM	9568	13686	C-R	40169S
13522	C-R	471553!	13578	C-R	470774!	1362360	GMC	8620N	13687	C-R	473214!
13523	C-R	50026*	13578LDS	JN-MN	471801!	1362377	GMC	8594S	136879	CUMMI	416271!
13524	C-R	471554!	13579	C-R	472258	13624	C-R	471554!	13688	C-R	4614N
13525	C-R	481443!*	13579	C-R	472258!	13625	C-R	481443!*	13689	C-R	40169S
135255SP	TRSCM	8594S	13579LDS	JN-MN	473459	13626	C-R	471231!	136899H2	IH	472492!
13526	C-R	471231!	135804	SPERY	482126	136277	HOUGH	417316!	13690	C-R	473214
13527	C-R	2443	135804	VICK	482126	136277H1	HOUGH	417316!	13690A	C-R	472179
13528	C-R	471267!	13581	C-R	472258	13628	C-R	471267!*	13692	C-R	473214
13529	C-R	340853	13581LPD	JN-MN	471137	13630	C-R	472287!	13693	C-R	473214
1352916	B-L-H	415449!	13582	C-R	470774	13631	C-R	472287!	136957R91	IH	340771
135292	GOODM	415088!	13583	C-R	470774!	13632	C-R	472287!	13696	C-R	473214
135292	GOODM	415088	13585	C-R	470774*	1363206	GMC	8594S	13696A	HEIL	417267
135292	JEFF	415088!	13587	C-R	470774!	13633	C-R	472287!*	13696A	HERCU	417267
135292	JEFF	415088	13587LPD	JN-MN	471870!	13634	C-R	472287!	13698	C-R	473214!
13530	C-R	6597S	13588	C-R	470774	13637	KEN	415656	13699	C-R	473214
135308	HOUGH	471224!	1358899	GMC	9613S	136376	SPERY	204029	136A10804	TROS	472560N!
13533	C-R	6597S	135897	GOODM	417020	136376	SPERY	204507!	136GH28	C-R	471267
135330	CROSS	471571	135897	JEFF	417020	136393	US-EL	470625!	136Z24	C-R	471554!
13534	C-R	472354!	13590	C-R	470774!	13641	C-R	472287!	137	IG-RA	455480!
13534A	HERCU	416332!	13591	C-R	470774!	13642	C-R	471192	13700	C-R	9569S
13535	C-R	472354!*	1359176	GMC	473179	13645	C-R	471192	1370084020	COLLS	330385!
13537	C-R	323138!*	13592	C-R	470774	13647	C-R	471192	1370085020	COLLS	416271!
13538	C-R	484156V	13593	C-R	470774	136478	US-EL	416664!	1370085030	COLLS	471413!
13539	C-R	323138!	13594	C-R	470774!	13647LPD	JN-MN	471729	1370085040	COLLS	471272!
1353918	GMC	473228	1359496	WHITE	416288!	13648	C-R	471192	1370085050	COLLS	450457
1353919	GMC	473228	13595	C-R	470774!	13649	C-R	471192	1370085060	COLLS	473224!
1353997	GMC	9613S	135955	NEHO	472164!	13650	C-R	471192	1370085070	COLLS	472015!
13540	C-R	323138!	13595LDS	JN-MN	417546!	13652	C-R	471192	1370090010	COLLS	471760
135402	MINNM	330385	13595X	MASSE	471224!	136535	WEBER	415303!	13702	C-R	50402
135402	OLIVE	330385	13596	C-R	6760S	13654	C-R	471192	13704204	TROS	481397
13541	C-R	472354!	13598	C-R	51322*	136540	WEBER	450446	13704206	TROS	481397
13541X	MASSE	472185!	13599	C-R	472287!	13655	C-R	471192	13704804	TROS	471498
13542	C-R	472354!	135999	HOUGH	415371	13657	C-R	471192	13705	C-R	42763
13543	C-R	472354!*	135999H1	HOUGH	415371	13658	C-R	471192	13705604	TROS	471633!
13544	C-R	472354!	135999H1	IH	415371	1366	MURPH	473228	137060H	IH	471141!
13544	DIA	5MR71	135FF28	C-R	471267!	13660	C-R	471192	13706307	TROS	450908=
135442	DIA	5MR71	135X160X12	SIMRT	135X160X12	13662	C-R	471192	137068	US-EL	470898
135443	SCHWI	470530	135X160X13SC	TRSCM	135X160X13	13664	C-R	471192	13708	C-R	42763
13545	C-R	472354!	135X160X13TC	TRSCM	135X160X13	13665	C-R	471192	13710	C-R	42763*
13546	C-R	472354!	135X170X12SC	TRSCM	135X170X12	13666	C-R	471192	13710	DIA	471689!
13547	C-R	472354!	135X170X12TC	TRSCM	135X170X12	13668	C-R	3543	13710204	TROS	471076
13548	C-R	472354!	13600	C-R	472287!	136699	HOUGH	417967!	13711	C-R	204027
13548	SPERY	411253!	136002	HOUGH	472409!	13670	C-R	471192	13713	C-R	473215!
13548A	VICK	411253!	136002H1	HOUGH	472409!	136702	HOUGH	417546!	137136	HOUGH	410737!

! Industrial Size/Type * Minor Width Difference

= The U.S. customer service number is 877-4-TIMKEN. The Canadian customer service numbers are 800-565-4927 (English) and 800-565-0438 (French-Canadian).

NUMERICAL INTERCHANGE

Mfr. No.	Name	Zero Duplication or Recommended Industrial	Mfr. No.	Name	Zero Duplication or Recommended Industrial	Mfr. No.	Name	Zero Duplication or Recommended Industrial	Mfr. No.	Name	Zero Duplication or Recommended Industrial
13714	C-R	473215!	13768LUP	JN-MN	417481	13849	C-R	1147	13905	GARLK	472572
13716	C-R	471549!	13769	C-R	473215!*	13850	C-R	710111	13905	NEWPR	472572
1371622	GMC	8994N=	13770LUP	JN-MN	415150!	13851171	JOY	473210	13906	C-R	450463
13716M1	C-R	471549!	13772LPD	JN-MN	415058	13851172	JOY	416294!	13907	C-R	223520*
137174	HYST	417269!	13773LDS	JN-MN	453182	13851173	JOY	415937!	13908	HOUGH	416107!
13718	C-R	471551	13774	C-R	470950!	13851174	JOY	415035	13908	HOUGH	455073
13718M1	C-R	471551	13774	C-R	6241S	13851175	JOY	415138!	13909	C-R	35X48X8!*
13719	C-R	471558	13775	C-R	470950!	13851176	JOY	455576!	13911	C-R	710076
13719	FAIRB	471558	13775	C-R	6241S	13851177	JOY	417362!	13914LUP	JN-MN	471466!
13720	C-R	471255	13778SS	JN-MN	471442!	13852LDS	JN-MN	472179	13916	C-R	473197
13720	FAIRB	471255!	13781	C-R	473367	13853	C-R	4613N	13917	C-R	473197
13720M1	C-R	471255	137816H	IH	50327	13857	C-R	1987	13918	C-R	473197!
13721	C-R	481073*	13786	C-R	470950!	13857	C-R	710178*	13919	C-R	473197
13721	LEROI	481073	13786	C-R	6241S	138572	SCHWI	473016=	13920	C-R	473197!
13722	C-R	471553!	13787	C-R	6241S*	13858	C-R	710138	139224TB	TRSCM	8660S
13722B	C-R	471553!	13789LUP	JN-MN	415128	13858LDS	JN-MN	415483	13922LDS	JN-MN	473450!
13722M1	C-R	471553!	13790	C-R	6241S	13860	C-R	35X50X8!*	13924A	HERCU	471341!
13723	C-R	50026	137902H1	HOUGH	417134	13860	C-R	710324*	13925	C-R	473197
137231C1	IH	204038	13792	C-R	223550	13861	C-R	223540	13926	C-R	473197
137235SP	TRSCM	8549S	1379246	GMC	5591\$	13861	C-R	35X55X8!	13927	C-R	35X45X7
13724	C-R	471554!	13793	C-R	6241S	13862	C-R	7245	13928	C-R	1140*
13724	FAIRB	471554!	13794	C-R	223801	1386231	GMC	9613S	13928	C-R	35X68X10!
13724	IH	471554!	137945H1	HOUGH	471413	13863	C-R	35X80X8	13929	C-R	471105
13724M1	C-R	471554!	13796	C-R	6241S	13865	C-R	471835!*	13930	C-R	3655
13725	C-R	481443!	13797	C-R	6241S	13866	C-R	471835!	13931	C-R	1215
137253R91	IH	471103!	13799	C-R	470950!	13867	C-R	471835V*	13931	C-R	1215N
13726	C-R	471231!	13799	C-R	6241S	13868	C-R	35X65X10!	13932A	C-R	472185!
13726M1	C-R	471231!	137A28	C-R	471267	13869	C-R	473214	13933	C-R	223520
13727	C-R	473215!*	137G28	C-R	471267!	1387134	GMC	5591	13933	C-R	35X50X7!
137272R91	IH	470004!	137HD28	C-R	471267!	13872	KEN	415001!	13934	C-R	450492
13728	C-R	471267!*	137HD28-Q6	C-R	471267!	13873	C-R	473258!	13935	C-R	450516
13728	STEEL	450398	137Z20	C-R	471255	13875	C-R	473258!	13936	C-R	450516
13728	STEEL	471267!	138	C-R	5596=	13876	BU-SP	417247!	13937	C-R	470989
13728M1	C-R	471267	13800	CASE	6590S	13876	C-R	473258!	139371	US-EL	473235!
13729X	MASSE	471750!	13802	C-R	470950!	13877	C-R	8168=	13938	C-R	223510
13730	C-R	473215!	13802	C-R	6241S	13878	C-R	473258	13938	C-R	35X47X7!
1373030	GMC	473179	13804	C-R	470950!	1387893	GMC	9913	13939	C-R	1172
13732	SPICE	412119!	13804	C-R	6241S	13879	C-R	472843	13940	C-R	450516
13732A	HEIL	471255!	13804LPD	JN-MN	453182	1387919	GMC	9911S	13941	C-R	35X48X8!
13732A	HERCU	471255!	138053	ALLCH	415007	1387920	GMC	9911S	13941	C-R	710051
13734	C-R	473215=	13807	C-R	715101	1387OS	JN-MN	412027*	13942	C-R	1108
13736	C-R	473215!	138088	JEFF	471645	13880	C-R	472843	13942	NEWPR	9449
13737	C-R	473215!	13809LUP	JN-MN	55078S	138802C1	IH	J1125	139422	HYST	200856
13738	C-R	473215!	1380A3	WHITE	472157	138803C1	IH	415389	139425	HYST	JV1181
13738	C-R	9568	1381	SKIL	472951	13881	C-R	472843	13943	C-R	3771
137381	GMC	415991	1381	SKIL	474252	13883	C-R	40504S=	13944	C-R	223520
13739	C-R	473215!	13810	C-R	471276*	13884	C-R	320249	13944	C-R	35X50X8!
13740	C-R	473215!*	13811	C-R	471276	13884	C-R	714436	13945	C-R	223510
13743	C-R	473215!*	13812	C-R	471276*	13885	C-R	223520	13946	C-R	713771
1374709	CHRYSS	9116S	138120	HYST	472258!	13885	C-R	35X50X8!	13947	C-R	3655
1374709	GMC	9116S	13815	C-R	471276	13885	C-R	710324*	13948	C-R	223535
13748X	MASSE	410102	13816LPD	JN-MN	455297	13887	C-R	223520!	13948	C-R	35X52X7!
13750	C-R	3543	13819	C-R	450776!	13888	C-R	4529N	13949	C-R	223535
13752	C-R	473215!*	13820	C-R	471255	13889	C-R	450776!	139499	HYST	476470
13753	C-R	43089S*	13824X	MASSE	470059	13892	C-R	450776!	13950	C-R	223555
137547	NEHO	473231!	13824X	MASSE	470380!	13893	C-R	223542	13950	C-R	35X64X8!
13755	C-R	43089S	13826	C-R	473215!	13893	C-R	35X55X11!	13951	C-R	223535
1375660	C-R	41081S=	13829	JOHND	473473	13894	C-R	223550	13951	C-R	35X52X8!
13757	C-R	710249	13830	C-R	6241S*	13895	C-R	35X65X10!	13952	C-R	1119
13758	C-R	43089S	13831E	JOHND	415035!	13895	C-R	710335	13952	C-R	35X54X8!
13759	C-R	223520!	13831E	JOHND	415035	13896	C-R	35X72X10!	13952	C-R	710331
137592	US-EL	471647	138374H1	HOUGH	417535	13896	HYST	474265	13953	C-R	4040N
1376	CHEL	471763	13839	C-R	7687S	13896	KEN	415437	13954	C-R	223542*
1376030	OSHKO	415991!	138396H2	IH	2505	13897	C-R	710217	13954	C-R	35X55X11!*
1376030	OSHKO	415991	13841	C-R	471835!	13899	C-R	450456!	13954	C-R	35X55X8!
137624	FMC	471554	13843	C-R	6952S=	13899	HOUGH	417316!	13954	C-R	473823
13764	C-R	473215!	13844	C-R	7245	13899	PUL	412119!	13954LPD	JN-MN	417486
13765	C-R	9568*	13845	C-R	710178	138HMS28-Y12	C-R	471267!	13955	C-R	9344S
13766	C-R	473215!	13845662	JOY	415138!	13900	C-R	450456!*	13956	C-R	8676S
13767	C-R	473215!	13846	C-R	471835!	1390321	CHRYSS	410987!	139560	JEFF	416865!
1376776	GMC	9116S	13847	C-R	471835!	13904	C-R	450463	139561	GOODM	55030
1376778	GMC	9116S	1384746	GMC	473179	13905	C-R	450463			

! Industrial Size/Type *Minor Width Difference \$F-M Number Is Part Of A Kit
 =The U.S. customer service number is 877-4-TIMKEN. The Canadian customer service numbers are 800-565-4927 (English) and 800-565-0438 (French-Canadian).

Mfr. No.	Name	Zero Duplication or Recommended Industrial	Mfr. No.	Name	Zero Duplication or Recommended Industrial	Mfr. No.	Name	Zero Duplication or Recommended Industrial	Mfr. No.	Name	Zero Duplication or Recommended Industrial
13957	C-R	710331	13998F	OSHKO	415035!	14012694	GMC	3896	14050	C-R	36X62X7!
13959	C-R	710096	13999	C-R	35X72X10!	14012754	GMC	3747	14050	C-R	481826*
13959	MASSE	471224!	139HMS28-Y12	C-R	471267!	14012967	GMC	710044	14050	C-R	4989
13959A	HERCU	471264	13D17	TLSMI	417158=	14013	C-R	223608!*	14052	C-R	36X62X7!
13960	C-R	35X55X8!	13D18	TLSMI	415200N=	14013	C-R	36X52X7	14052	C-R	4989*
13961	C-R	223543	13D19	TLSMI	416624	1401335	CHRY	5414	14052	C-R	710209
13961	C-R	35X56X10!	13D20	TLSMI	455576=	1401336	CHRY	5414	14053338	GMC	9613S
13961	C-R	35X56X8	13D21	TLSMI	416364=	14015	DGASK	3655	14054	C-R	710152
13962	C-R	2007N	13X26X7	FORSH	13X26X7	14015	HYST	340356	14055	C-R	710057
13963	C-R	223540	13X26X7	SIMRT	13X26X7	14016	C-R	223608*	14057	C-R	710057*
13964	C-R	35X58X10	13X26X7SC	TRSCM	13X26X7	14016	C-R	36X52X7!	140574	JEFF	412473!
13965	C-R	223550	13X26X7TC	TRSCM	13X26X7	1401691	BUC-E	472354!	14058LUP	JN-MN	471224!
13965	C-R	35X58X10!	13X30X7SC	TRSCM	13X30X7	14017	C-R	223608	14059	DGASK	3774
13966	C-R	4901	13X30X7TC	TRSCM	13X30X7	14018	C-R	223553	14059	DGASK	TCS45472
13967	C-R	223551	14	BL-KN	471787!	14018	C-R	4901*	14061	DGASK	3774
13967	C-R	35X60X10!	14000	C-R	35X72X10!*	14018012A	HARWA	140X180X18	14061	DGASK	TCS45473
13967	C-R	710424	140000	SPG	712115	14018399	GMC	3348	14062X	MASSE	470954!
13969	C-R	223553	140001	SPG	712114	14018STLPD	JN-MN	415227!	14065	C-R	223620
13969	C-R	4901	140003	SPG	712118	14019LUP	JN-MN	472299	14066982	GMC	5697
13969	HYST	474265	140004	SPG	712119	14020	C-R	710197!	14066E	MASSE	474278!
13969A	C-R	471267!	140006	SPG	712116	14021	C-R	2003N	140688	CUMMI	470530!
13970	C-R	35X62X7!	140007	SCHWI	471689!	14021	C-R	223540	14069068	GMC	5433
13970A	C-R	472560N!	140009	SPG	471466	14021077	GMC	5697	14069889	GMC	5210
13971	C-R	1173	14001	C-R	710201	140227	GOODM	410825	14070	C-R	36X70X8
13972	C-R	223555	140011	SPG	415449	140227	JEFF	472394	1407167	CHRY	471564
13972	C-R	35X64X8!	140012	SPG	712109	140228	JEFF	410825	14071721	GMC	710046
13973	C-R	35X65X10!	140015	SPG	712112	14023	C-R	36X54X7.5	14074	C-R	50254=
13973	C-R	35X65X8	140016	SPG	712113	14023	C-R	36X54X8	140744	US-EL	416077
13973	C-R	710335*	140018	SPG	712122	140233	GOODM	470625!	14074833	GMC	4795V
13974	C-R	223580	140019	SPG	712101	140236	ALLCH	415196!	14075	C-R	50254=
13975	C-R	35X69X8!	14001933	LF-PT	471829	14024	C-R	223610	14076995	GMC	5699
13975A	C-R	6312	14002	C-R	710166	14024	C-R	710197	14077041	GMC	8610
13976	C-R	223580	140020	SPG	712126	1402443	CHRY	6241S	140771	SPG	340771
13977	C-R	35X70X8	140021	SPG	712102	1402618	CHRY	6636S	14077244	GMC	4307V!
13978	C-R	1173*	140024	SPG	712120	14027	C-R	710331	1407752	CHRY	6597S
13979	C-R	35X72X10*	14002LDS	JN-MN	453066	14028	C-R	710197	14079089	GMC	9316
13979	C-R	35X72X8!	14002LDS	JN-MN	470898!	14028	C-R	710199	140791	HOUGH	471224!
139790	SCHWI	470625!	14003	C-R	35X47X7V	14028939	GMC	5576	14079359	GMC	5072
13979SSW	JN-MN	200322	14003414	GMC	8871	14029097	FAIRB	411	14079467	GMC	3543
13980	C-R	35X72X10*	14003417	GMC	8835S	14030	C-R	2003N!	1408142	CHRY	473367
13980	C-R	35X72X8!	14004	C-R	710343	1403023	FMC	415007	1408142	CHRY	473367!
13981	C-R	1147	14004804	TROS	471643!	1403023	FORD	415007	1408143	CHRY	470898!
139822	HYST	340827	14004805	TROS	471643!	1403031	FMC	411253!	14081702	GMC	5210
13984	C-R	35X78X8	14005	C-R	223601	14031	C-R	50126	14081761	GMC	331210V
13985	C-R	3214	14005	C-R	36X47X7!	14032	C-R	1940	14081761	GMC	5210
139852	HYST	340847	14005003	TROS	481644	14033199	GMC	9845	14082	C-R	36X72X8
13986	C-R	35X80X8	14005005	TROS	481644	140337	FORD	473010!	14083	WOODB	471424!
139864H1	IH	417316=	14005604	TROS	471646!	14034495	GMC	2440	14084118	GMC	5697
139866	GOODM	471766!	14005605	TROS	471646!	14035	C-R	474127	14084119	GMC	5698
139866	JEFF	471766!	14005607	TROS	471646!	140359R91	IH	410496!	14084120	GMC	5699
13987	C-R	223520!*	14006	C-R	2007N	14037	C-R	36X56X10	14085829	GMC	4307V!
13987	C-R	713771*	14006	C-R	223543!*	14038	C-R	36X56X10!	14086700	GMC	5697
13988	C-R	470672	14006	C-R	710396	14039	C-R	36X58X12!*	14087	C-R	4532N
139885	JEFF	417349	14006004	TROS	471647	14039577	GMC	223255	1408732	CHRY	470954
139885	SUL	417349	14006005	TROS	471647	14039577	GMC	32X52X7!	140878H2	HOUGH	331356=
139886	JEFF	471766!	140061	SPG	6241S	14039587	GMC	8611N	14088	C-R	9116S
139888	JEFF	415867	14007	C-R	710218	14040	C-R	36X58X12!*	14088556	GMC	4359V
13989	C-R	1170	14007	C-R	710315*	14040	C-R	36X58X8!	14088556	GMC	5274
13989	C-R	35X52X8!*	14008	C-R	223602	14040	C-R	474288	14088559	GMC	4359V
13990	C-R	8660S	14009	C-R	223605	140408	ALLCH	470530!	140896	CUMMI	472164=
13991	C-R	8660S	14009	C-R	36X50X7!	140420	ALLCH	415001!	14090906	GMC	9845
13992	C-R	8660S	14009	C-R	710341*	14042LPD	JN-MN	416664!	14091	DGASK	3771
139924	US-EL	415074	14009612	GMC	710385	14043	C-R	36X58X12!*	14091422	GMC	473227
139927	US-EL	415074	14010	C-R	223605	14044	C-R	36X58X12!	14092	C-R	9342S
13993	C-R	35X55X8!	14010	C-R	36X50X7!	14045	C-R	1965	14092820	GMC	3667
13993	C-R	473823	140100	SCHWI	471787=	14045	C-R	36X60X7!	14092900	GMC	2003N!
13994	C-R	223543!	14010004	TROS	471649!	14046	C-R	1965	14095609	GMC	3173
13994LPD	JN-MN	25X52X7!	14010005	TROS	471649!	14046941	GMC	710171	14095609	GMC	710928
13995	C-R	8660S	14010007	TROS	471649!	14046972	CHRY	5698	14095610	GMC	472572
13996	C-R	223552	14010804.5	TROS	471652	14046972	GMC	5698	14095611	GMC	341022
13997	C-R	35X62X7!*	14010805	TROS	471652	140471	HYST	415725=	14096051	GMC	4359V
13998	C-R	223552	14011	C-R	223605	14047298	GMC	3747	14096052	GMC	4359V

! Industrial Size/Type * Minor Width Difference

= The U.S. customer service number is 877-4-TIMKEN. The Canadian customer service numbers are 800-565-4927 (English) and 800-565-0438 (French-Canadian).

NUMERICAL INTERCHANGE

Zero Duplication or Recommended Industrial		Zero Duplication or Recommended Industrial		Zero Duplication or Recommended Industrial		Zero Duplication or Recommended Industrial		
Mfr. No.	Name	Mfr. No.	Name	Mfr. No.	Name	Mfr. No.	Name	
14096077	GMC	3517V=	14205	CASE	473454	143926C1	IH	457734
1409902	CHRYSLER	6966S	14209	C-R	340930	14286A	C-R	450593!
140A10804	TROS	471652	1420D	GOODM	472164!	14287	DGASK	320595
140B04804	TROS	471643!	14212	C-R	3394	142917	US-EL	417258
140B10804	TROS	471652	14213TB	TRSCM	473224!	14293	DGASK	320595
140X160X13AN	ISP	140X160X12	14214	C-R	3395!	14295	C-R	473225!
140X160X13SC	TRSCM	140X160X13!	14216	BTM	6074	14296	C-R	473225!
140X170X12ASN	ISP	140X170X12	142161	JEFF	471570!	142981	US-EL	471868
140X170X12ASN(32)	ISP	140X170X12	14218	C-R	473224!	142C799	WABCO	470806
140X170X15SC	TRSCM	140X170X15!	14218521020	ALLCH	417481	142K1	WHITE	323138!
140X170X15TC	TRSCM	140X170X15!	14219	C-R	473224!	143007A	HARWA	14X30X7
140X180X12AN	ISP	140X180X12	14220	C-R	473224!	14301A	HERCU	473228
140X180X12AN(35)	ISP	140X180X12	14221	C-R	473224!	14302	DGASK	TCS45724
140X180X18	SIMRT	140X180X18	14222	C-R	473224!	14302	SPICE	472924!
140X180X18SC	TRSCM	140X180X18	14223	C-R	473224!	143040	HYST	415498
140X180X18TC	TRSCM	140X180X18	14223	SPICE	5778	14306	DGASK	TCS45483
141	C-R	5453	142234	SPICE	5778	14308	BU-SP	412943
141	FMC	415995!	14223TB	TRSCM	473016!	14309	DGASK	TCS45786
14100	MICH	50199S!	14229	C-R	473016!	1431	C-R	472311!
14100	MICH	6863S!	1422C	GOODM	472179	14310A	C-R	472924!
14100	UNIVE	50199S!	1422D	GOODM	472179	14311	DGASK	TCS45635
14100	UNIVE	6863S!	14230	C-R	473016!	14312A	C-R	412871!
14101	BENDI	471466!	142308	GABR	471344	14315	C-R	474264
14101	WOODB	417362!	14231HA	IH	472560N!	14316	C-R	474264
1411035	WOOL	472164!	142329H	IH	474278!	14316	DGASK	223420
141113	HYST	415725=	142329HA	IH	340356	14316	DGASK	TCS45635
141119	HYST	417605	142331H	IH	472560N!	14317C	DIA	450400
14112	MICH	474277	142331HA	IH	472560N!	14317F	DIA	6597S
14112	UNIVE	474277	142333HA	IH	474276!	14318X	MASSE	415960
141149	HYST	417605	142333HB	IH	474276!	143191VC	TRSCM	340930
14115134	CONTI	50445	14233TB	TRSCM	473225!	1431M1	C-R	472311!
14115A	MASSE	471651	1423404	GMC	473238	143203TB	TRSCM	3395!
1412185	GMC	473212!	14237LPD	JN-MN	455024	143203TB	TRSCM	352444
141263SB	TRSCM	9342S	1423RC	SUL	417172	143224	BRCWY	470059
141276H	IH	415137!	14241A	C-R	416738!	143224	BRCWY	470380!
141276H	IH	418028	14241A	C-R	450096	14322X	MASSE	473212!
14128LDS	JN-MN	455584	14242	C-R	473016!	143263TL	TRSCM	473437
141309H	IH	50631	1424334A	AUTSP	474276!	143270	WHITE	415023
141322	FORD	471762!	142433B	TRSCM	474264!	143281	WHITE	473447
14136	SPICE	473228	14246	C-R	473016	143305TB	TRSCM	471405
1413635	GMC	473179!	14247	C-R	473016!	14337	EATON	713750
14141	C-R	50075=	14247	DGASK	3476	14337	FULLE	713750
141507	ALLCH	415035	14249	C-R	473016!	14341H	IH	472397!
141507	ALLCH	415035!	1424B	GOODM	471984	14341LPD	JN-MN	472826!
14151	HYST	473467	1424D	GOODM	473313	14342	C-R	474264
141515HA	IH	323138!	14250	C-R	473016!	14344	DGASK	TCS45424
141515HB	IH	323138!	142505A	HARWA	14X25X5	14346	C-R	6966S
141516HA	IH	340400	14251	DGASK	TCS45108	14347	DGASK	TCS45424
141516HB	IH	340400	14252	C-R	473016!*	143473	ALLCH	473205
14154LPD	JN-MN	472924!	14253SB	TRSCM	473226	14351	HOUGH	441130
1415976	GMC	473228!	1425501	AUTSP	481163!	143555	JEFF	456105
1415976	MASSE	473228!	14256	DGASK	3476	14357	DGASK	TCS45424
141614R91	IH	457291	14257	DGASK	TCS45718	143575	US-EL	472324!
141671	HYST	417603!	14259	DGASK	TCS45719	14359	C-R	6966S
14169A	C-R	473464!	142598	CUMMI	417316	14360	DGASK	TCS45434
14169A	C-R	473464	142599	CUMMI	476122H=	14360A	C-R	416865!
14171	HYST	472560N!	14261	C-R	473016!	14362	C-R	474264
141739	CUMMI	340797	14262	C-R	473016!	143620	FWD	473229
141743	CUMMI	417621	142657	AUTOZ	K16300	14363	C-R	474264*
141743	CUMMI	5509	142658	AUTOZ	K16301	14363	C-R	474264!
141818	ALLCH	471766!	14270	WHITE	415023	14364	C-R	474264
14182FX	OSHKO	322353	142708R91	IH	410737!	143697	JEFF	472636!
14182FX	OSHKO	474278!	14271	DGASK	TCS45506	143699	JEFF	417316!
14182X	MASSE	240119	14271LPD	JN-MN	418028	14370	C-R	6966S*
14188	WITTE	416273!	14272	DGASK	6936S	14381	C-R	4795V
1418889	GMC	450274	14272	DGASK	TCS45285	14383	C-R	473226
14191	CASE	J1105	14278	DGASK	TCS45483	14383	DGASK	TCS45725
1419512	GMC	6064	14281	DGASK	4040N	14384	LEECE	471750!
14198LUP	JN-MN	417602!	14281	DGASK	TCS45700	14385	DGASK	TCS45727
14202	DGASK	223420	14282	C-R	473225!	14387	C-R	4795V*
14202	DGASK	TCS45603	14282	DGASK	713655	143873R91	IH	451143
			14282	DGASK	TCS45699	1439	ALOY	417487

! Industrial Size/Type *Minor Width Difference

= The U.S. customer service number is 877-4-TIMKEN. The Canadian customer service numbers are 800-565-4927 (English) and 800-565-0438 (French-Canadian).

Mfr. No.	Name	Zero Duplication or Recommended Industrial	Mfr. No.	Name	Zero Duplication or Recommended Industrial	Mfr. No.	Name	Zero Duplication or Recommended Industrial	Mfr. No.	Name	Zero Duplication or Recommended Industrial
144A11604C	TROS	474278!	14620	HEIL	416476!	14704	C-R	38X52X8.5!	14758	C-R	1176
144A11604C	TROS	6859S	14620LDS	JN-MN	415449!	14705	C-R	1174	14759	C-R	1120
144X160X12SC	TRSCM	144X160X12	14621LDS	JN-MN	472185!	14705	C-R	38X52X8.5!	14760	C-R	38X70X10
144X160X12TC	TRSCM	144X160X12	14626	HEIL	471141!	14705	C-R	710309*	147600	JEFF	472144!
14500	C-R	710228	146319	HEIL	476470	14706	C-R	1966	14761	C-R	38X72X10
145000	SPG	712123	14634	C-R	710414	14707	C-R	223801*	14762	C-R	350572
145001	SPG	712124	14634LPD	JN-MN	415645!	14707	C-R	223802*	147621	JEFF	472397!
145014	SPG	712125	14635	C-R	710441	14708	AIRCO	55155=	147622	JEFF	415187
14502	C-R	224462	146366	TLSMI	415449!	14709	C-R	38X52X7	147622	SUL	415187
145029	JEFF	472492!	14640	C-R	473438	147091	BRCWY	456618	14763	C-R	223840
145029	SUL	472924!	14641	C-R	473438	14709A	MASSE	417493	14764	C-R	38X72X10
1450316	CHRYS	6636S	14643LPD	JN-MN	226020	14709X	MASSE	473214	14764A	C-R	416339
14504	BU-SP	415995!	14643LPD	JN-MN	60X80X8!	1471	ALOY	9864S	14764A	C-R	455031!
14504	KOEH	415995!	14644LPD	JN-MN	228010	14710	C-R	239146	14766	C-R	1177
14506	C-R	710259	146458	HOUGH	473448	14710	C-R	38X54X7!	14767	C-R	1177
145074	JEFF	412473!	146458H1	HOUGH	473448	14711	C-R	1174*	14767	C-R	38X74X8!
145103	JEFF	415371	146458H1	IH	473448	14711	C-R	38X52X8.5!*	14768	C-R	1177
145107	JEFF	415995!	146482	BRCWY	415458!	14712	C-R	4530	14769	C-R	38X75X8
145108	JEFF	415371	146483	BRCWY	5M867	14713	C-R	223802	14770	C-R	38X78X8
145108	SUL	415371	14649A	C-R	471224!	147148	BRCWY	415060	14774	C-R	38X80X8
14518012A	HARWA	145X180X12	1464RC	SUL	418028	147148	BRCWY	455060	14775	C-R	1196
1452	ALOY	1944	1464RC	SUL	455137!	14715	C-R	38X54X7!	14775	C-R	3357
145212	JEFF	471554!	1465	CHEL	471529	147178	BRCWY	415697!	147765	JEFF	472299
14528	JNSON	471271!	1465	SUPER	473228	147178	BRCWY	455547	14779LPD	JN-MN	20X32X7
145383	JEFF	417171!	14650	C-R	473438	14719	C-R	223830	14780	C-R	8597S
145384	JEFF	415021	146522	JEFF	417344!	14720	C-R	223830	14781LDS	JN-MN	416664!
145395	AU-WS	471735	146522	SUL	417344!	14720	C-R	38X55X7!	1478432	GMC	8804S=
1454	ALOY	474134	14656	HEIL	50405	14721	C-R	223830*	14785	C-R	38X90X8
145416	JEFF	415072	14657SS	JN-MN	472810!	14721	C-R	223831*	14789	C-R	482415
145493	JEFF	471549!	146583	JEFF	417349	14724	C-R	38X56X10V	1479	ALOY	224520
1455257	GMC	470059	1466004	GMC	473231!	147242	TLSMI	50266	14790	C-R	223801!
1455257	GMC	470380!	14661	HEIL	471442!	14725	C-R	38X56X10	147908H1	HOUGH	471466!
14553	SPICE	50075=	14663	C-R	473439!	14726	C-R	223845*	1479396	GMC	451078!
14557	SPICE	450073	14666	HEIL	455290	14726	C-R	38X62X7!*	14797LDS	JN-MN	470954!
145585	JEFF	417191	14667	C-R	473439!	14727	C-R	38X56X10!	14798	EATON	451143
145585	JEFF	456585	146672	JEFF	471553!	14728E	MASSE	471442!	14798	FULLE	451143
145588	BRCWY	415001!	14669STLPD	JN-MN	509503=	147297	JEFF	471571	147987	JEFF	415645!
1456	ALLCH	472394	146718	BRCWY	5957S	14730	C-R	223840	147987	JEFF	455104
145637	SPG	45637S	14671STLPD	JN-MN	417608	14730	C-R	38X58X8!	148004	FUNK	470625!
145702	JEFF	415551	146721	FUNK	412473!	147305	BRCWY	473464!	14802	EATON	417433=
145752	HYST	471267!	14672LPD	JN-MN	471735	147305	BRCWY	473464	148036	ALLCH	471647
145753	HYST	471224!	146741	SPERY	471224!	14731	C-R	223840	1480393	GMC	5589\$
14577LPD	JN-MN	224025	146748	BRCWY	5951	14732	C-R	223842	14804	C-R	253099*
145812	HOUGH	470898	14675	C-R	473439!	14733	C-R	38X62X7!	14805004	TROS	471337
145812	IH	470898	14676	C-R	473439!	14738	C-R	1038	14805205	TROS	471686
145827H2	IH	473467	1468	ALOY	4250*	1473814	GMC	5113	148057	JEFF	417343!
145847250	MACK	120X150X12	1468	HEIL	476838!	1473814	GMC	7721!	14806LUP	JN-MN	471442!
14589	SPICE	40769S	146855	BRCWY	416654!	14739	C-R	223843	14807	C-R	253099!
14589SS	JN-MN	222510	14694LPD	JN-MN	70X100X13	1474	ALOY	5698	14808	C-R	253099
14589SS	JN-MN	25X35X7!	14695	C-R	223805	14740	C-R	223843	1481	C-R	471224!
14598A	C-R	476838!	14699	HEIL	472179	14740	C-R	38X60X10!	14810	C-R	253099
145X170X12SC	TRSCM	145X170X12	146A33	HEIL	450593!	14740	C-R	38X60X8	14810004	TROS	471689!
145X170X12TC	TRSCM	145X170X12	146A34	HEIL	473215!	14741	C-R	38X60X10V	14810005	TROS	471689!
145X175X15SC	TRSCM	145X175X15	146A345	STN-S	472951	14742	C-R	38X62X7	14810007	TROS	471689!
145X175X15TC	TRSCM	145X175X15	146A345	STN-S	474252	14743	C-R	38X62X7	14810009	TROS	471689!
145X180X12	SIMRT	145X180X12	146A346	STN-S	470625!	14746	C-R	223843	14810804	TROS	471692!
145X180X12SC	TRSCM	145X180X12	146A347	STN-S	471750!	14746	C-R	38X60X10!	14810805	TROS	471692!
145X180X12TC	TRSCM	145X180X12	146A5	HEIL	470004!	14747	C-R	710139	14810806	TROS	471692!
146-A153	HEIL	417134	146A57	HEIL	472397!	14748	C-R	1176	14810807	TROS	471692!
146-A160	HEIL	472636!	146A59	HEIL	471224!	14749	C-R	2009	14811	C-R	50209*
146-A306	HEIL	472018	146A6	HEIL	471571	14750	C-R	38X65X8!	14811006	TROS	471707N
146-A322	HEIL	415196!	146A60	HEIL	471466!	14750	C-R	710435	14811604	TROS	471413!
14601	C-R	223750	146A9	HEIL	471466!	147529	JEFF	415711	14811606	TROS	471413!
1461	SUPER	450084!	146A92	HEIL	472636!	1475295	GMC	5113	14812	C-R	480210!*
14610LPD	JN-MN	65X90X10!	147	C-R	5476=	1475295	GMC	7721!	14812403	TROS	340853
14613	HEIL	471224!	1470	SUPER	416339	14753	C-R	1175	14813	C-R	474276
146139	US-EL	473225	1470	SUPER	455031!	147537	ALLCH	473205	148150	HYST	55301S
14614	AMC	411253!	14700	C-R	710304	14754	CHAMP	471281!	148151	HYST	473467
146163	BUSHH	204017	14701	C-R	38X50X7!	14755	C-R	38X68X10!*	14816	C-R	42260S
14618LDS	JN-MN	473228!	14702	C-R	1128	14755	C-R	38X68X8!	14817015A	HARWA	148X170X15
14619	HEIL	412119!	14703	C-R	223801	14755	C-R	710165	1481M1	C-R	471224!
14619LDS	JN-MN	472016!	14704	C-R	1174	14756	C-R	710509	14821	C-R	474276

! Industrial Size/Type * Minor Width Difference \$F-M Number Is Part Of A Kit
 = The U.S. customer service number is 877-4-TIMKEN. The Canadian customer service numbers are 800-565-4927 (English) and 800-565-0438 (French-Canadian).

NUMERICAL INTERCHANGE

Mfr. No.	Name	Zero Duplication or Recommended Industrial	Mfr. No.	Name	Zero Duplication or Recommended Industrial	Mfr. No.	Name	Zero Duplication or Recommended Industrial	Mfr. No.	Name	Zero Duplication or Recommended Industrial
14821LDS	JN-MN	415327	14885	C-R	473227!	14926M1	C-R	474253!	14981	C-R	470380!
14822	C-R	471579*	14885	CLAYN	472924!	14926M1	C-R	474253	14981	DGASK	16301
148223SB	TRSCM	50468	14886	C-R	473227	14927	C-R	473414*	14981LPD	JN-MN	471551!
14824	C-R	474276!	14886	CLAYN	470334!	14927	DGASK	16265	14982	C-R	5201
14825	C-R	481568!*	14887	C-R	473227	14928	C-R	471570!*	14982	C-R	5202
14826	C-R	474253	148872HI	HOUGH	474276!	14928	DGASK	16266	14982	DGASK	16302
14826	C-R	474253!	1488883	GMC	9406S	14929	DGASK	16250	14982A	C-R	415697!
14827	C-R	473414*	1489	CHAMP	473227!	1493	C-R	470625!	14982A	C-R	455547
14828	C-R	471570!*	1489	DOMIN	473227	14930	C-R	471571*	14983	C-R	472189A!
1483	ALLOY	4148	148942	HOUGH	415035	14931	C-R	451583!*	14983	C-R	9613S
14830	C-R	471571*	148942	HOUGH	415035!	14932	C-R	470625!	14983	DGASK	16303
14831	C-R	451583!*	14896	C-R	6312	14933	C-R	470625!	14984	DGASK	16306
14831LDS	JN-MN	415007	14898	C-R	43078S	149345R91	IH	340771	149848	FORD	204017
14832	C-R	1126	14898	CHAMP	412119	14935	C-R	331228H	14985	DGASK	16304
14832	C-R	474276*	148L	OSHO	472439	149375R91	IH	473460	14986	C-R	470380!
14832STLPD	JN-MN	55239=	148M1-L	C-R	350909	1493776	GMC	5109	14987	DGASK	16307
14833	C-R	474276!	148M1-L	C-R	471224!	1493778	GMC	5123	14988	C-R	470380!
14836	C-R	474276*	148X170X15	SIMRT	148X170X15	14938	C-R	470625!	14990	C-R	470059
1483758	CHRY5	471827	148X170X15SC	TRSCM	148X170X15	14939	C-R	331228H	14990	C-R	470380!
14840	C-R	443018!	148X170X15TC	TRSCM	148X170X15	14939	C-R	470625!	14991	C-R	470059
14840	C-R	474276*	14900	DGASK	16210	14939	C-R	5115*	14991	C-R	470380
148415	JEFF	472164!	14901	DGASK	16204	14940	C-R	331228H	14992	C-R	470380!
14845	C-R	474276!	14902	C-R	6312	14940	C-R	470625!	14993	C-R	410059
1484523	CHRY5	474278!	14902	DGASK	16200	14942	C-R	470625!	14993	C-R	470380!
1484523	CHRY5	6859S	14903	C-R	480844	14942	CHAMP	415349=	14994	C-R	470380
148456	ALLCH	472012	14903	DGASK	16201	14942	DOMIN	415349=	14995	C-R	470380!*
1484592	CHRY5	340797	149030R91	IH	100495	14943	C-R	470625!	14998	C-R	470380!
1484597	CHRY5	240698	149030R91	IH	417349	14944	C-R	470625!	14999	C-R	470380!*
14846	C-R	481163!	14904	DGASK	16201	1494465	GMC	9406S	149ZM1-Y2	C-R	471224!
14846	C-R	6759S	14904LDS	JN-MN	471766!	149488	CUMMI	472236H=	14X24X7SC	TRSCM	14X24X7!
14847	C-R	474276	14905LDS	JN-MN	472439	1495	ALLOY	3604	14X24X7TC	TRSCM	14X24X7!
1484702	GMC	8804S=	14906	DGASK	16213	14951	C-R	470625!*	14X25X5	FORSH	14X25X5
14848	C-R	1126	14907	C-R	50468	14953	C-R	470625!*	14X25X5	SIMRT	14X25X5
14848	C-R	3677	14907	DGASK	16202	149543	JEFF	416664!	14X25X5SC	TRSCM	14X25X5
14848	C-R	41257!	14908	DGASK	16212	149543	SUL	416664!	14X25X5TC	TRSCM	14X25X5
14849	C-R	240319	14909	C-R	331228H	149552	JEFF	417598	14X26X7SC	TRSCM	14X26X7
14849LPD	JN-MN	472164!	14909	DGASK	16204	149552	SUL	417598	14X26X7TC	TRSCM	14X26X7
14850	C-R	240319*	1491	C-R	471224!	14957	C-R	340136	14X28X6SC	TRSCM	14X28X6
148504	WEBER	416107!	14910	C-R	470625!	14959LPD	JN-MN	415187	14X28X6TC	TRSCM	14X28X6
148504	WEBER	455073	14910	DGASK	16205	1495M5	WHITE	471570!	14X30X7	SIMRT	14X30X7
14852	C-R	481163!	149105	JEFF	471271!	14960	C-R	340136	14X30X7SC	TRSCM	14X30X7
14852	CHAMP	417484!	14911	C-R	50209*	1496010	SPICE	42763	14X30X7TC	TRSCM	14X30X7
14852	DOMIN	417484!	14911	DGASK	16208	1496096	CHRY5	471827	14X32X7SC	TRSCM	14X32X7
14853	C-R	240319*	14912	C-R	480210!*	1496123	GMC	2043	14X32X7TC	TRSCM	14X32X7
14854LPD	JN-MN	470774!	14912	DGASK	16206	1496175	GMC	9912	14X35X7SC	TRSCM	14X35X7
14855	C-R	481163!	14913	C-R	470625!	14963	C-R	453065	14X35X7TC	TRSCM	14X35X7
14855	CHAMP	470954=	14913	DGASK	16251	14964	C-R	470625!	15	WGEAR	455134!
14857	C-R	240319*	14914	DGASK	16252	14965	C-R	470625!	15-00005	ITM	228020
148574H1	HOUGH	471649!	14915	DGASK	16253	149654	JEFF	471750!	15-00009	ITM	224560
14858	C-R	1174	14915LPD	JN-MN	416666	149654	SUL	416892!	15-00106	ITM	9845
14858	C-R	472466!	14916	C-R	340136*	14966	C-R	340136	15-00107	ITM	3698
14859	C-R	6759S	14916	DGASK	16254	14967L	IH	470088	15-00108	ITM	224052
14860	C-R	480630	14917	DGASK	16255	14968	C-R	9363S	15-00109	ITM	228700
1486096	CHRY5	471827	14918	DGASK	16256	14969	C-R	40468	15-00112	ITM	1981
14862	C-R	7537S	14919	C-R	470625!	1496910	SPICE	42763	15-00120	ITM	223220
14863	C-R	7537S*	14919	DGASK	16257	1496B	JN-MN	416154!*	15-00121	ITM	3476
14864	C-R	480630!	1491M1	C-R	471224!	1496RC	SUL	417621!	15-00302	ITM	473237!
14865	C-R	480630!	14920	C-R	471564*	14970	C-R	200859	15-00303	ITM	227235
14866	C-R	480630!	14920	DGASK	16258	14970LPD	JN-MN	473244!	15-00304	ITM	3771
14869	C-R	240319!	149203TC	TRSCM	1174	14972	C-R	203013*	15-00307	ITM	224840
14870	C-R	480630*	149206SLX	MICH	6312	14974	C-R	204013	15-00308	ITM	228005
148720	ALLCH	471785!	14921	DGASK	16259	14975	C-R	204013*	15-00311	ITM	473237!
14873	C-R	480630	14922	C-R	471579*	14975LPD	JN-MN	472164!*	15-00313	ITM	223750
14875	C-R	473227!	14922	DGASK	16260	14978	C-R	4370N	15-00315	ITM	712001
14876	C-R	473227!	14923	DGASK	16261	14978	C-R	7692S	15-00319	ITM	228005
14877	C-R	473227!	14924	C-R	471567!*	14979	C-R	712023	15-00320	ITM	222330
14878	C-R	473227!*	14924	DGASK	16262	14979	SPICE	473441	15-00321	ITM	222820
14879	CHAMP	471442!	14925	C-R	481568!*	1497OS	JN-MN	416865!*	15-00322	ITM	3459
14880	C-R	473227	14925	DGASK	16263	14980	C-R	470059	15-00323	ITM	228005
14881	C-R	473227	14926	C-R	474253!	14980	C-R	470380!	15-00324	ITM	3655
14882	C-R	473227!	14926	C-R	474253	14980	DGASK	16300	15-00502	ITM	712006
14884	C-R	473227!	14926	DGASK	16264	14981	C-R	470059	15-00505	ITM	223340

! Industrial Size/Type * Minor Width Difference

= The U.S. customer service number is 877-4-TIMKEN. The Canadian customer service numbers are 800-565-4927 (English) and 800-565-0438 (French-Canadian).

Mfr. No.	Name	Zero Duplication or Recommended Industrial	Mfr. No.	Name	Zero Duplication or Recommended Industrial	Mfr. No.	Name	Zero Duplication or Recommended Industrial	Mfr. No.	Name	Zero Duplication or Recommended Industrial
15-00506	ITM	228410	15-01550	ITM	231052	15-20510	ITM	1985	15000400	AJUSA	12X26X7
15-00507	ITM	223602	15-01552	ITM	710187	15-20511	ITM	1986	15000417	GMC	415072 =
15-00508	ITM	228009	15-01901	ITM	225020	15-20905	ITM	1952	150008	SPG	712103
15-00514	ITM	224020	15-01904	ITM	710060	15-20906	ITM	1952	1500080M1	MASSE	412473!
15-00518	ITM	223420	15-01906	ITM	712005	15-21501	ITM	224015	1500081M1	MASSE	450446
15-00518	ITM	TCS45635	15-01908	ITM	224205	15-21502	ITM	1950	15001	C-R	470380!*
15-00519	ITM	224052	15-01917	ITM	3476	15-22303	ITM	472213	15001000	AJUSA	221540
15-00520	ITM	228410	15-01918	ITM	226820	15-22502	ITM	1209	1500114	ITM	TCS45603
15-00522	ITM	710341	15-01937	ITM	222340	15-22703	ITM	222510	1500115	ITM	BS40583
15-00524	ITM	224650	15-02000	ITM	3476	15-23302	ITM	1217	1500122	ITM	TCS45681
15-00525	ITM	712010	15-02005	ITM	710205	15-23303	ITM	1217	15001600	AJUSA	221710
15-00803	ITM	222025!	15-02007	ITM	226020	15-23304	ITM	1165	15001700	AJUSA	221720
15-00900	ITM	710331	15-02009	ITM	716102	15-23306	ITM	473455!	15002200	AJUSA	222025!
15-00901	ITM	3771	15-02107	ITM	3476	15-24008	ITM	224820	15002300	AJUSA	222030
15-00902	ITM	227410	15-02300	ITM	224461	15-24009	ITM	1090	15002800	AJUSA	222050
15-00903	ITM	1990	15-02301	ITM	224250	15-24201	ITM	451948	15002900	AJUSA	20X40X10
15-00903	ITM	TCS45718	15-02304	ITM	223802	15-25603	ITM	1110	15003	HYST	410190
15-00905	ITM	227610	15-02305	ITM	224250	15-26301	ITM	473230!	15003	SPG	415458!
15-00907	ITM	320595	15-02307	ITM	473823	15-29303	ITM	482126	150030	HYST	410190
15-00908	ITM	710332	15-02503	ITM	3909	15-30010	ITM	1974	15003200	AJUSA	5699
15-00910	ITM	228009	15-02902	ITM	224520	15-30101	ITM	473812	15003600	AJUSA	222240
15-00913	ITM	1120	15-03102	ITM	223050	15-30102	ITM	473179	15003700	AJUSA	222267
15-00913	ITM	TCS45873-1	15-03104	ITM	710331	15-30301	ITM	3195	1500381	FRKLN	370043A
15-00916	ITM	712008	15-03313	ITM	224840	15-30503	ITM	710329	15004	C-R	470059
15-00919	ITM	711181	15-04017	ITM	710271	15-30506	ITM	1977	15004	C-R	470380!
15-01000	ITM	223802	15-04018	ITM	223800	15-31101	ITM	1188	15004	NATL	417316!
15-01001	ITM	228008	15-04302	ITM	710056	15-31302	ITM	224015	15004000	AJUSA	222340
15-01004	ITM	711181	15-05602	ITM	50266	15-31504	ITM	1956	15004100	AJUSA	24X35X7!
15-01009	ITM	3771	15-05603	ITM	472164!	15-32010	ITM	1174	15004400	AJUSA	222510
15-01103	ITM	226840	15-06101	ITM	713771	15-32010	ITM	224015	1500449	FRKLN	472924!
15-01105	ITM	227020	15-06102	ITM	228480	15-32303	ITM	50501	150046	JEFF	455191
15-01106	ITM	229005	15-06301	ITM	224025	15-32501	ITM	3395!	15004600	AJUSA	324151 =
15-01107	ITM	223420	15-06303	ITM	223035	15-32902	ITM	1187	1500474	FRKLN	473237!
15-01110	ITM	8316	15-06304	ITM	226480	15-34011	ITM	1960	15004800	AJUSA	450908 =
15-01112	ITM	223012	15-06307	ITM	494117	15-34203	ITM	470898	15004804	TROS	471684!
15-01114	ITM	223420	15-07801	ITM	2955	15-34203	ITM	473234!	15005	C-R	470380!
15-01116	ITM	3909	15-07802	ITM	3909	15-35602	ITM	471870!	1500510	ITM	223250
15-01119	ITM	223012	15-08301	ITM	1953	15-35603	ITM	350936	1500510	ITM	710415
15-01120	ITM	228250	15-08307	ITM	228010	15-35604	ITM	340823	15005100	AJUSA	222556
15-01120	ITM	710448	15-08502	ITM	3771	15-35609	ITM	710058	15005500	AJUSA	1990
15-01123	ITM	224840	15-08504	ITM	222556	15-36303	ITM	223535	15005600	AJUSA	28X38X7
15-01124	ITM	229005	15-08506	ITM	710302	15-36304	ITM	224235	15006	SPG	417344!
15-01125	ITM	224660	15-08507	ITM	223010	15-36305	ITM	40X58X10!	15006000	AJUSA	222820
15-01126	ITM	1940	15-08510	ITM	223005	15-39101	ITM	224865	15006100	AJUSA	710325
15-01127	ITM	1019	15-08511	ITM	222267	15-39307	ITM	473238!	15006200	AJUSA	712008
15-01202	ITM	222330	15-09106	ITM	331227H	15-39818	ITM	320595	15006400	AJUSA	28X42X8!
15-01301	ITM	223831	15-09300	ITM	1108	15-40101	ITM	474133	15006700	AJUSA	222860
15-01302	ITM	1021V	15-09303	ITM	229210	15-40509	ITM	1167	15006700	AJUSA	2901
15-01303	ITM	1038	15-09306	ITM	710190	15-44017	ITM	1965	15006S	SPG	417344!
15-01304	ITM	1019	15-09308	ITM	710190	15-45605	ITM	451857	15007	C-R	470380!
15-01305	ITM	222340	15-09312	ITM	321460	15-50301	ITM	1196	15007500	AJUSA	320595
15-01306	ITM	710233	15-09313	ITM	223601	15-50507	ITM	1977	15008	C-R	470380!
15-01308	ITM	223230	15-09806	ITM	228010	15-52301	ITM	1974	15008000	AJUSA	1129
15-01311	ITM	1038	15-09813	ITM	227040	15-54002	ITM	473234	15008100	AJUSA	223005
15-01500	ITM	716102	15-09815	ITM	228010	15-54019	ITM	473234!	1500811	ITM	223551
15-01502	ITM	227550	15-09816	ITM	472439	15-58001	ITM	1174	1500811	ITM	710424
15-01505	ITM	227045	15-09830	ITM	5108	15-59805	ITM	50501	15008200	AJUSA	223010
15-01506	ITM	223840	15-09907	ITM	224252	15-59807	ITM	1994	15008300	AJUSA	5601
15-01513	ITM	223235	15-09908	ITM	227040	15-59807	ITM	710313	1500845	FRKLN	8907
15-01514	ITM	1987	15-11505	ITM	222025!	15-59808	ITM	222510	15008600	AJUSA	223012
15-01514	ITM	TCS45424	15-12301	ITM	713655!	15-91402	ITM	1962	15008800	AJUSA	1981
15-01518	ITM	1994	15-13501	ITM	224200	15-A74	MINNM	476838!	15008900	AJUSA	223018
15-01520	ITM	221820	15-20003	ITM	224820	15-JG17	KEN	456744N	15009	SPG	415960
15-01523	ITM	228009	15-20006	ITM	1992	15-M22	SPICE	472361 =	15009000	AJUSA	712001
15-01524	ITM	1953	15-20101	ITM	1949	15-M30	SPICE	472361 =	150092	WAUKE	470625!
15-01526	ITM	223802	15-20300	ITM	225875	15-M36	SPICE	471272!	150093	WAUKE	471341!
15-01528	ITM	224020	15-20301	ITM	225010	15000	C-R	410059	15009600	AJUSA	223050
15-01530	ITM	223802	15-20302	ITM	494122	15000	C-R	470380!	15009700	AJUSA	473214
15-01532	ITM	224205	15-20303	ITM	474134	150001	SPG	712104	15009800	AJUSA	223035
15-01533	ITM	229210	15-20501	ITM	1188	150003	SPG	712103	15009SA	SPG	415960!
15-01534	ITM	231004	15-20502	ITM	1183	1500031	EATON	473436	1501	C-R	471224!
15-01536	ITM	231004	15-20509	ITM	2002	150004	SPG	712100	1501	GOODM	471224!

! Industrial Size/Type * Minor Width Difference

= The U.S. customer service number is 877-4-TIMKEN. The Canadian customer service numbers are 800-565-4927 (English) and 800-565-0438 (French-Canadian).

NUMERICAL INTERCHANGE

Zero Duplication or Recommended Industrial		Zero Duplication or Recommended Industrial		Zero Duplication or Recommended Industrial		Zero Duplication or Recommended Industrial					
Mfr. No.	Name	Mfr. No.	Name	Mfr. No.	Name	Mfr. No.	Name				
1501+2102	STEM	370023A	15017600	AJUSA	224026	15024	GOODM	471567!	15031000	AJUSA	009
1501+2102	STEM	417505	15017800	AJUSA	5604	15024000	AJUSA	224840	15031400	AJUSA	712005
1501+320-2102	STEM	370023A	15018	C-R	40059S	15024100	AJUSA	6127	15031500	AJUSA	226530
1501+320-2102	STEM	417505	15018	NATL	476470	15024100	AJUSA	712010	15032	C-R	40059S
15010000	AJUSA	6479	15018100	AJUSA	5521	15024200	AJUSA	712010	15032100	AJUSA	226820
15010100	AJUSA	223220	15018200	AJUSA	224040	15024300	AJUSA	224850	15032200	AJUSA	712511
15010300	AJUSA	223230	15018300	AJUSA	224040	15024800	AJUSA	225010	15032300	AJUSA	68X90X10!
15010400	AJUSA	223235	15018800	AJUSA	224205	15024900	AJUSA	225010	15032400	AJUSA	70X85X8!
15010500	AJUSA	223420	15018900	AJUSA	473560N	15024LDS	JN-MN	416394	15032500	AJUSA	5606
15010600	AJUSA	710310	15018900	AJUSA	5613!	15025	C-R	481568!	15032600	AJUSA	1021V
15010700	AJUSA	223240	15019	C-R	410059	15025000	AJUSA	225020	15032700	AJUSA	70X88X8!
15010800	AJUSA	3476	15019	C-R	470380!	15025300	AJUSA	50X70X10V	15032800	AJUSA	227020
15010900	AJUSA	3476	15019000	AJUSA	224220	1502533M1	MASSE	473238!	15032900	AJUSA	227040
15011	C-R	50209	1501902	ITM	1945	1502534M1	MASSE	472636!	15033	C-R	470059
15011000	AJUSA	223240	1501902	ITM	228480	1502537M1	MASSE	473232	15033	C-R	470380
15011700	AJUSA	223340	1501903	ITM	1945	1502538M1	MASSE	450446	15033000	AJUSA	227040
15012	C-R	480210!	1501903	ITM	228480	15025400	AJUSA	225035	15033100	AJUSA	227040
15012000	AJUSA	223420	1501909	ITM	TCS45633	15025400	AJUSA	4401 =	15033400	AJUSA	227045
1501214	FRKLN	417278	15019100	AJUSA	473560N	15025600	AJUSA	225040	15033500	AJUSA	227045
1501229	MASSE	473234	150192	WAUKE	473231!	150257M1	MASSE	473232	15033800	AJUSA	227235
1501229M1	MASSE	473234	15019200	AJUSA	42X56X7!	15026	C-R	474253!	15033900	AJUSA	227409
1501230M1	MASSE	471765!	15019300	AJUSA	224235	15026	C-R	474253	15033LPD	JN-MN	130X160X12
15012500	AJUSA	1172	1501931M1	MASSE	470354	15026200	AJUSA	1884	15034	C-R	470380!
15012600	AJUSA	1108	150194	HYST	415867	15026200	AJUSA	4990	15034000	AJUSA	227410
15012700	AJUSA	320249	15019500	AJUSA	2000	15026300	AJUSA	52X69X10	15034200	AJUSA	75X90X10
15012800	AJUSA	223602	15019600	AJUSA	1953	15026400	AJUSA	225420	15034400	AJUSA	227550
15012900	AJUSA	3771	1501977	FRKLN	415449!	15026500	AJUSA	225450	15034500	AJUSA	227550
15013	C-R	410059	15019800	AJUSA	1953	15026700	AJUSA	710279	15034600	AJUSA	227550
15013	C-R	470380!	15019900	AJUSA	1953	15026800	AJUSA	55X70X8!	15034700	AJUSA	227550
15013	SPG	415995!	1501K	AU-WS	471224!	15026900	AJUSA	710279	15034800	AJUSA	1019
15013000	AJUSA	223520!	1501M1	C-R	471224!	15026M1	C-R	474253	15034900	AJUSA	227610
1501309	ITM	BS40638	1502	C-R	HU036A	15026M1	C-R	474253!	1503490M1	MASSE	240151
15013100	AJUSA	710329	1502+2106	STEM	370003A	15026SS	JN-MN	50200	15034SA	SPG	415034!
15013200	AJUSA	3771	1502+2115	STEM	370005A	15027	C-R	473414	15035	C-R	470380!
15013300	AJUSA	3771	1502+2162	STEM	370006A	15027000	AJUSA	225535	15035300	AJUSA	227830
15013400	AJUSA	710329	1502+320-2106	STEM	370003A	1502703	FRKLN	413247!	15035600	AJUSA	228005
15013600	AJUSA	3771	1502+320-2106	STEM	380003A	1502708	FRKLN	472185!	15035700	AJUSA	228008
15013700	AJUSA	3771	1502+320-2115	STEM	370005A	15027100	AJUSA	225535	15035700	AJUSA	6481 =
15013800	AJUSA	223535	1502+320-2162	STEM	370006A	15027200	AJUSA	225535	15035800	AJUSA	228009
15013NA	SPG	415995!	15020200	AJUSA	224252	15027300	AJUSA	225545	15035900	AJUSA	80X100X10!
15013SA	SPG	415995!	150202SC	TRSCM	240319	15027400	AJUSA	55X78X10	15035SA	SPG	415035
15014000	AJUSA	223542	150202SC	TRSCM	481163	15027800	AJUSA	471272	15036	C-R	470059
15014000	AJUSA	4530	15020300	AJUSA	224252	15028	C-R	471570!	15036	C-R	470380
15014100	AJUSA	223542	15020400	AJUSA	224255	15028	FAIRB	471570!	15036	SPG	415036
15014200	AJUSA	223550	15020500	AJUSA	224266	15028	GOODM	471570!	15036100	AJUSA	228009
150148	JEFF	417498	15020600	AJUSA	224461	15028700	AJUSA	710271	15036200	AJUSA	228009
15015	C-R	410059	15020700	AJUSA	224465	15028900	AJUSA	225880	15036400	AJUSA	228010
15015	C-R	470380!	15020LPD	JN-MN	472020	15029000	AJUSA	225880	15036500	AJUSA	228020
15015000	AJUSA	3394	1502109	FRKLN	370121A	1502904	ITM	BS25031	15037	C-R	470380!
1501511	ITM	BS16192	15021100	AJUSA	224510	15029100	AJUSA	4408	15037000	AJUSA	228480
1501512	ITM	TCS45424	15021200	AJUSA	1184	15029200	AJUSA	226020	15037100	AJUSA	228480
15015200	AJUSA	223800	15021300	AJUSA	2440	1502929	CHRYL	410308!	15037300	AJUSA	228250
15015300	AJUSA	223802	15021400	AJUSA	2440	15029400	AJUSA	226020	15037300	AJUSA	710448
15015300	AJUSA	7216	15021500	AJUSA	2440	15029500	AJUSA	2001	15037400	AJUSA	710294
15015400	AJUSA	1174	15021600	AJUSA	1185	15029600	AJUSA	60X82X12!	15037500	AJUSA	228410
15015500	AJUSA	1966	15021700	AJUSA	003	1502961	FRKLN	470565!	15037600	AJUSA	228480
1501566	CHRYL	6781	15021900	AJUSA	224550	15029800	AJUSA	473573	15037700	AJUSA	716102
150158	HYST	474281!	15021900	AJUSA	5120	1502QS	JN-MN	415072*	1503776	FRKLN	413248
15015800	AJUSA	223831	15022	C-R	471579	1503	C-R	HU009A	1503777	FRKLN	413248
15015LPD	JN-MN	415551	15022200	AJUSA	710289	1503+2023	STEM	370065A	1503778	FRKLN	470565!
15016	C-R	470059	15022300	AJUSA	710289	1503+2173	STEM	370107A	1503779	FRKLN	470565!
15016	C-R	470380!	15022400	AJUSA	710289	1503+320-2023	STEM	370065A	15037900	AJUSA	6469
15016100	AJUSA	710318	15022500	AJUSA	224560	1503+320-2023	STEM	380065A	15037900	AJUSA	716102
15016200	AJUSA	710318	150225R1	SELAS	5115	15030	C-R	471571	15038	C-R	470059
15016600	AJUSA	5521	15022600	AJUSA	224560	15030	GEHL	471571	15038	C-R	470380
15016800	AJUSA	224010	15022800	AJUSA	710289	1503016M2	MASSE	414268!	15038000	AJUSA	6469
15016900	AJUSA	224015	15023	SPG	415023	1503017M1	MASSE	415137!	15038000	AJUSA	716102
15017	C-R	470380!	150233SP	TRSCM	7692S	1503017M1	MASSE	418028	15038100	AJUSA	716102
15017000	AJUSA	224015	15023400	AJUSA	1973	15030400	AJUSA	62X80X10	15038400	AJUSA	710232
15017200	AJUSA	473677	15023500	AJUSA	716484	1503042	FRKLN	417040	15038500	AJUSA	228700
15017400	AJUSA	3392	15023600	AJUSA	1973	15030900	AJUSA	64X80X8	15038600	AJUSA	3772
15017500	AJUSA	224025	15024	C-R	471567!	15031	C-R	451583!	15038700	AJUSA	3772

! Industrial Size/Type * Minor Width Difference

= The U.S. customer service number is 877-4-TIMKEN. The Canadian customer service numbers are 800-565-4927 (English) and 800-565-0438 (French-Canadian).

Mfr. No.	Name	Zero Duplication or Recommended Industrial	Mfr. No.	Name	Zero Duplication or Recommended Industrial	Mfr. No.	Name	Zero Duplication or Recommended Industrial	Mfr. No.	Name	Zero Duplication or Recommended Industrial
15038900	AJUSA	710237	150511R91	IH	40316S	1510+320-2102	STEM	380023A	15174	C-R	200861
15039	C-R	470059	1505258M1	MASSE	474272	15100	MICH	320457	15174LPD	JN-MN	416500!
15039	C-R	470380	15053	SIDEW	415379	15100	UNIVE	320457	15175	C-R	410190
15039000	AJUSA	229005	15053	SIDEW	415379!	15102	C-R	473228	15176	C-R	410190*
150392	WAUKE	470059	1505328M1	MASSE	471442!	15103	C-R	473228	15177F	OSHKO	417349=
150392	WAUKE	470380!	150539	AMC	472560N!	15104	C-R	473228!	151818	BRCWY	450400
15039200	AJUSA	229005	15054	C-R	5200	15105	C-R	473228	15182TB	TRSCM	253099!
15039300	AJUSA	229005	15054LPD	JN-MN	3476	15105SA	SPG	415938	15182TB	TRSCM	473099
15039400	AJUSA	229010	1505900	ITM	BS40535	15108	SPG	476470	15182VB	TRSCM	253099
1503967	FRKLN	471272!	1505903	ITM	BS40535	15109	C-R	473228	15183	SPG	417205!
15039800	AJUSA	710288	1505RC	SUL	417344!	1511	C-R	HU024A	15184	C-R	410190
15039900	AJUSA	710288	150604	OLIVE	417267	1511+2129	STEM	416892	15185	OLIVE	472924!
1503OS	JN-MN	416229	1506224M1	MASSE	340823	1511+320-2129	STEM	416892	15186	C-R	470380!
1504	C-R	HU149A	150628H1	IH	471766!	1511035	C-W	415725!	15186	C-R	472189A
1504+2110	STEM	416158	15065	C-R	7886S*	1511035	WOOL	415725!	15187B	WAUKE	471413!
1504+320-2110	STEM	386025A	15065LUP	JN-MN	442874	15112	MICH	470004!	151879	WAUKE	471413!
1504+320-2110	STEM	416158	15067LUP	JN-MN	416167!	15112	UNIVE	470004!	15189	C-R	451857
15040	SPG	416891!	1506RC	SUL	415995!	15113	C-R	473228!*	151890	BRCWY	323138!
15040000	AJUSA	229210	1507+320-2109	STEM	370036A	15113A	C-R	415437	15190	C-R	41461S
15040100	AJUSA	717005	1507+320-2109	STEM	370349A	15113A	C-R	415437!	15191VB	TRSCM	474276
15040500	AJUSA	4359V	1507+320-2109	STEM	380036A	15114G	P-C	TCS45483	15192NA	SPG	415192N
15040600	AJUSA	710060	15070	C-R	471820	15116	C-R	473228!	15192TB	TRSCM	474276!
15040700	AJUSA	229510	15070LPD	JN-MN	417533	15116A	C-R	471766!	15192TB	TRSCM	474276!
15041	C-R	472189A	15072STLUP	JN-MN	415076	15118	C-R	473228!*	15193	SIDEW	204029
15041	C-R	9613S	15076	C-R	471820*	1512	ALLCH	471766!	15193	SIDEW	204507!
15041100	AJUSA	231002	15076LDS	JN-MN	471602!	1512	TRAC	471766!	151932VB	TRSCM	443018!
15041300	AJUSA	710290	15077	C-R	7886S*	15120	C-R	473228!*	15194	C-R	451857*
1504180	FRKLN	412920!	1507800	ITM	BS40380	15120	C-R	473228*	15195	SPG	416556!
15041800	AJUSA	110X135X12	1507808	ITM	TCS45472	15124	C-R	473228	15195	SPG	472157
15042000	AJUSA	5625	15079	C-R	7886S	15125	C-R	473228	151962R91	IH	415449
1504210M1	MASSE	40566S	15079	TMTR	471466!	15129	C-R	473228!*	15198	C-R	41461S
15043	C-R	9613S	1508+2131	STEM	370019A	15129LPD	JN-MN	30X47X7	151982KB	JN-MN	3677
15043100	AJUSA	231705	1508+320-2114	STEM	370019A	1513	C-R	HU044A	15198LPD	JN-MN	473229!
15043500	AJUSA	223230	1508+320-2131	STEM	370019A	15130	C-R	473228!*	15199LDS	JN-MN	7131
15043700	AJUSA	222540	15080	C-R	40063S!	15131	C-R	473228!*	152	C-R	5585
15044	C-R	9613S	15081	C-R	471820	15135	C-R	473228!*	15200	C-R	470487!
15044200	AJUSA	225020	15082	C-R	471820	15137R91	IH	415449	1520103	ITM	471950
150446	JEFF	415263	150833M1	MASSE	415991	15139	C-R	473228	15201SS	JN-MN	231404*
15044600	AJUSA	224462	150833M1	MASSE	455146!	1514014	ITM	471224!	15202	C-R	50345=
15044700	AJUSA	224460	15084	C-R	7886S	15141	C-R	473228!	15202	SPICE	50402
15044800	AJUSA	224250	1508503	ITM	TCS45727	151417	AM WH	417596	15202SP	TRSCM	224015
15045	C-R	9613S	1508509	ITM	TCS45725	15141LDS	JN-MN	415035	15202VB	TRSCM	240319
15045100	AJUSA	224650	15086	C-R	471344	15142	C-R	473228!	15203SP	TRSCM	1217
15045500	AJUSA	224560	15087	C-R	471344	15143LDS	JN-MN	474281!	15203TB	TRSCM	481163!
15045600	AJUSA	231052	15087	EATON	415991	15147	C-R	473228!*	15203TB	TRSCM	6759S
15045700	AJUSA	223250	15087	EATON	415991!	15147	SPG	415449!	15204	C-R	450984*
15045700	AJUSA	710415	15087	FULLE	415991	15149	SPG	417343!	1520503	ITM	1174
15045900	AJUSA	223520!	15087	FULLE	415991!	1515	C-R	HU028A	1520503	ITM	38X52X8.5!
15047	C-R	4370N	15089LPD	JN-MN	227550	1515+2132	STEM	415058	15206	C-R	9613S
1504716	FRKLN	416624!	15089LPD	JN-MN	75X100X12!	1515+320-2132	STEM	415058	152062VB	TRSCM	7537S
15047300	AJUSA	1121	1509	C-R	HU003A	15150	C-R	473228!*	1520635B	TRSCM	480630!
15047400	AJUSA	228015	1509+2117	STEM	370030A	15153	C-R	473228!	152069	ADAMS	416654!
1504754M1	MASSE	471192	1509+320-2117	STEM	370030A	15153LPD	JN-MN	417350!	152069	WABCO	416654!
1504755M1	MASSE	473234!	15090	C-R	471344*	15154	SPG	417351!	15206SG	TRSCM	480630!
15048500	AJUSA	223750	15092	C-R	471344*	15156NA	SPG	417621	15207	AIRCO	471766!
15048600	AJUSA	229005	15093	C-R	471344*	15157	C-R	473228!	15207	C-R	470487!
15048800	AJUSA	710233	1509305	ITM	TCS45725	15158	C-R	473228	15208	C-R	473440!
15048900	AJUSA	710234	1509309	ITM	TCS45725	15159	C-R	473228!	15209	C-R	450984*
15048X	MASSE	450765!	15094	C-R	471344*	1516+2097	STEM	370069A	15209	SPICE	415001!
15049000	AJUSA	223230	15095	C-R	471862*	1516+320-2097	STEM	370069A	15209LUP	JN-MN	120X160X12
15049100	AJUSA	710236	15095	SPG	416271!	1516+320-2097	STEM	380069A	1521103	ITM	1213N
15049200	AJUSA	710235	150951	JEFF	417362!	15160	C-R	40067S=	15212	C-R	473228!
15049300	AJUSA	716102	15095S	SPG	416271!	15161	C-R	40067S=	15212	C-R	473440
15049400	AJUSA	2025	150967	JEFF	471103!	15162	C-R	473228	152128	AM WH	455194
15049500	AJUSA	716102	15099LUP	JN-MN	471192	15164	C-R	473228	15213	C-R	473440!
15049600	AJUSA	710187	150X180X12SC	TRSCM	150X180X12	15166	C-R	473228!	15213	SPG	417247!
15049700	AJUSA	1120	150X180X12TC	TRSCM	150X180X12	1517+2113	STEM	370021A	15213NA	SPG	415213N
1504RC	SUL	415035!	150X180X15SC	TRSCM	150X180X15	1517+320-2113	STEM	370021A	15213TB	TRSCM	473227!
1504RC	SUL	415035	150X180X15TC	TRSCM	150X180X15	15170	C-R	473228	15213TEB	TRSCM	473227!
15050	C-R	9613S	150Z1	C-R	471224!	15171	C-R	473228	15213VTB	TRSCM	473227
15050200	AJUSA	223802	1510+2118	STEM	370037A	15171LDS	JN-MN	416381	15214	C-R	473440!
1505044	MASSE	450269	1510+2118	STEM	370338A	1517230	OSHKO	416888!	15215	C-R	473440!

! Industrial Size/Type * Minor Width Difference

= The U.S. customer service number is 877-4-TIMKEN. The Canadian customer service numbers are 800-565-4927 (English) and 800-565-0438 (French-Canadian).

Mfr. No.	Name	Zero Duplication or Recommended Industrial	Mfr. No.	Name	Zero Duplication or Recommended Industrial	Mfr. No.	Name	Zero Duplication or Recommended Industrial	Mfr. No.	Name	Zero Duplication or Recommended Industrial
1521506	ITM	225020	152563TB	TRSCM	410190	1531102	ITM	1214	1539027	ONAN	205017
1521506	ITM	50X68X8!	152565TA	TRSCM	410190	1531102	ITM	1214N	1539675	FMC	327303!
15219SA	SPG	415219	15257	C-R	455308	153114	JEFF	471466!	1539676	FMC	417551
152205	JOHND	5778	15258	C-R	455308	153115	JEFF	413247!	1539F	OSHKO	416107!
152218	OLIVE	472144!	1526	C-R	471539!	153116	JEFF	416163	1539F	OSHKO	455073
15222	C-R	474281!	1526103	ITM	224100	153117	JEFF	416666	154005	JEFF	416339
152223TB	TRSCM	480844	1526103	ITM	40X65X10!	153119	HYST	473236!	154005	JEFF	455031!
152225VL	TRSCM	40438S	152623TB	TRSCM	470682	15312	C-R	710122	154005	SUL	416339
15222VHY	TRSCM	340136	15262VH	TRSCM	41461S	15312406	TROS	323138!	154005	SUL	455031!
1522301	ITM	227040	1526302	ITM	472213	153128H1	HOUGH	455509	15401A	C-R	473214
1522301	ITM	70X90X10!	15263SL	TRSCM	451857	153139	US-EL	470565!	154040	JA-MI	472179
15223SB	TRSCM	470625	15264SP	TRSCM	8610	15315	NPG	472572	154040	JAE	472179
15223TB	TRSCM	470625!	1527	C-R	HU019A	1531501	ITM	1180	154041	JA-MI	472185!
15223VTB	TRSCM	470625!	15270	C-R	710247	1531501	ITM	41X55X7!	154041	JAE	472185!
15225	DIA	6532S=	15272	SPG	416706!	15315SA	SPG	415984!	1540501	ITM	32X58X8!
15225	EATON	6532S=	15273SB	TRSCM	473440!	15325	C-R	470059	15408A	C-R	471466
152257	ALLCH	416865!	15275TC	TRSCM	474281	15325	C-R	470380!	15409	SIDEW	473228
152264TA	TRSCM	9363S	152772	AM WH	416149	15326	C-R	470059	154141	JEFF	417210!
152270	JEFF	417490	15278	CHAMP	370054A	15326	C-R	470380	15415LDS	JN-MN	416556!
152275SH	TRSCM	8940S	1528	C-R	HU028A	1532901	ITM	1174	15415LDS	JN-MN	472157
15228	C-R	474281!	15281SA	SPG	417349	1532901	ITM	38X52X8.5!	15419	SPG	417492
152283	JEFF	417073	152833TB	TRSCM	471915	153291	WAUKE	471255!	1542	C-R	HU013A
15229	C-R	474281!	152848	HYST	417488!	153291B	WAUKE	471255!	154253	CASE	471424!
1522B	GOODM	472572!	152857	HYST	415303!	153291C	WAUKE	471365	154269	SIMPL	473157
1522D	GOODM	472572!	152863	HYST	416278	15329A	C-R	412473!	1543	C-R	HU009A
1522T2	DIA	410308!	152877	JEFF	473367!	15330	C-R	452222!	154344H2	IH	415854
1522T2	WHITE	410308!	152877	JEFF	473367	153314	HYST	472015!	154347R91	IH	471224!
1523	C-R	HU066A	15287A	MASSE	473467	153318A	OLIVE	450073	15439LPD	JN-MN	470954!
15230	C-R	474281!	152883	HYST	416888!	15332	C-R	452222!	1543F	OSHKO	416158
152302	JEFF	55155=	152885	HYST	415725!	153322	HYST	417247!	1544	ALOY	472070
1523102	ITM	1012	152886	HYST	J1136	1533302	ITM	1208	15440	C-R	710046
1523102	ITM	1012N	152892	CUMMI	470059H=	1533302	ITM	48X72X7!	154437R91	IH	471224!
1523301	ITM	1213N	15290	C-R	473228	1533303	ITM	1969	15445	C-R	1126
15233VHY	TRSCM	204013	15292	C-R	710318*	1533303	ITM	48X63X9!	15445	C-R	710120
15234	C-R	471915*	15292	C-R	710319	153334R1	IH	240733	15450	C-R	472635
15234VB	TRSCM	203013	1529304	ITM	224045	15338	C-R	452222!	154507	CASE	477123=
15235	C-R	450523*	1529304	ITM	40X62X12!	1534	C-R	HU008A	15451	C-R	223802
15236	C-R	450523	152934	HOUGH	470898	15341	C-R	470059	15451LPD	JN-MN	471645
152372VH	TRSCM	40059S	152934H1	HOUGH	470898	15341	C-R	470380	15457LPD	JN-MN	412861
152373TB	TRSCM	470380!	15294A	C-R	471539!	15343	C-R	452222	15460	C-R	8695S
152373VTB	TRSCM	470059	152953	US-EL	472070	153463521	TOWNR	200322	154615H1	IH	410308!
152374TBP	TRSCM	472189A!	15296A	C-R	471442!	15353	C-R	710214	154615H1	IH	473468
152374TBP	TRSCM	9613S	15298	C-R	710309	15355	DIA	5951	15462	C-R	4244
152375SA	TRSCM	410059	1529A	WAYNE	474254!	15355	EATON	5951	15463	C-R	472213
152375SA	TRSCM	470059	153-124-04	TROS	323138!	1535606	ITM	473210	1546RC	ALOY	471549!
1523D	GOODM	473238	1530	C-R	HU014A	1536	C-R	HU012A	1547	ALOY	473459
1524	C-R	HU070A	15300	C-R	1205	1536301	ITM	1174	15471LPD	JN-MN	471492
1524-2	DAVIS	471766	15300	C-R	1205N	1536301	ITM	38X52X8.5!	15473STLUP	JN-MN	509756=
15240	C-R	450326	15300	C-R	321416	15364A	MASSE	240385	154745	JEFF	471281!
1524018	ITM	1174	153002	WAUKE	471466!	1537	ALOY	9569S	154745	SUL	471281!
1524018	ITM	38X52X8.5!	153032	ALLCH	415960!	153710	JEFF	417344!	154751	JEFF	471103!
15241	C-R	471958	15303TB	TRSCM	471958	153716	HYST	200885	154751	JOY	471103!
152427	FUNK	473228	15304804	TROS	473406!	153717	HYST	JV1371	154774	WAUKE	420
15242VB	TRSCM	40063S!	15305	C-R	8610	15372	C-R	710118	1548OS	JN-MN	415991
15243SB	TRSCM	471820	15305	SPG	415991	153725	JEFF	416288!	1548OS	JN-MN	455146!
152443TL	TRSCM	471344	1530501	ITM	1181	15373	C-R	40369S	1548RC	SUL	416891!
152468	JEFF	417621!	1530501	ITM	41X56X7!	15374	C-R	8610	15491LPD	JN-MN	33X50X12!
152469	JEFF	416125!	1530505	ITM	1181	15376	C-R	8940S	15493	TLMSI	240816
1524D	GOODM	450084!	1530505	ITM	41X56X7!	15379S	SPG	415379	154935	HOUGH	415379
15250	C-R	210914	15305607	TROS	471137	1537D5	WHITE	471689!	154935H1	HOUGH	415379
15250	MURRA	417316!	15306	C-R	8611N	1537OS	JN-MN	417316!	1549OS	JN-MN	415449!
152505SA	TRSCM	473229	15306	SIDEW	204017	1538	ALLCH	471271!	1549G119-90	GR-DV	417210!
15252	JA-MI	6283S	153097	WAUKE	417546!	1538	C-R	HU011A	154G119-91	GR-DV	415072
15252	JAE	6283S	153097A	WAUKE	455071N=	1538	TRAC	471271!	154G119-92	GR-DV	415116
15253	C-R	450540	1531	C-R	HU007A	1538170	OSHKO	370003A	154G119-93	GR-DV	416888!
152536	JEFF	473235!	15310	C-R	710123	15382	C-R	712011	154G149-72	GR-DV	417247!
15253SB	TRSCM	473228	15310007	TROS	450593!	15382	NEWPR	3173	154G149-73	GR-DV	417548
15253TB	TRSCM	473228!	15310407	TROS	473419	15382	NEWPR	710928	155	C-R	5390
152542	JEFF	416271!	15310607	TROS	450044	15388	SIDEW	473367	15500	C-R	710233
15255	C-R	6922=	15310805	TROS	476838!	1538D5	WHITE	473203	1550001	ITM	1994
15255SA	TRSCM	473228	15310807	TROS	476838!	1538F	ALOY	6815	1550001	ITM	48X70X9!
1525601	ITM	1213N	15311007	TROS	450482	1538OS	JN-MN	417269!	15502	C-R	4244

! Industrial Size/Type * Minor Width Difference

= The U.S. customer service number is 877-4-TIMKEN. The Canadian customer service numbers are 800-565-4927 (English) and 800-565-0438 (French-Canadian).

Mfr. No.	Name	Zero Duplication or Recommended Industrial	Mfr. No.	Name	Zero Duplication or Recommended Industrial	Mfr. No.	Name	Zero Duplication or Recommended Industrial	Mfr. No.	Name	Zero Duplication or Recommended Industrial
15502	CHRYS	7412S	15527547	GMC	471649!	15527617	GMC	472409	15527780	GMC	370124A
155044	HOUGH	415483!	15527548	GMC	471689!	15527618	GMC	3103!	15527781	GMC	416888
1550555	CLARK	471341!	15527549	GMC	471760	15527619	GMC	471341!	15527LDS	JN-MN	455406!
1550556	CLARK	471344	15527550	GMC	472560N	15527621	GMC	410737!	15528	BU-SP	472439
1550559	CLARK	5751	15527551	GMC	470712!	15527622	GMC	410737!	155280	JEFF	416288!
15506	C-R	330749V	15527552	GMC	471763	15527623	GMC	472636!	15529	BU-SP	415379
155079	BENDI	455079!	15527553	GMC	471785!	15527624	GMC	44052	1553	CALI	416107!
15508	C-R	8421S	15527554	GMC	473425	15527625	GMC	411253!	1553	CALI	455073
15508LUP	JN-MN	223035	15527555	GMC	471765!	15527626	GMC	493291	15530	C-R	200887
15509	C-R	7994S	15527556	GMC	240356	15527627	GMC	493637	15530288	GMC	710281
1550929	CHRYS	471827	15527557	GMC	322353	15527628	GMC	413246	155314	HYST	472015!
1550988	CLARK	472179	15527557	GMC	474278!	15527629	GMC	412119!	155316PSB	TRSCM	5778
1550989	CLARK	413247!	15527558	GMC	7412S	15527630	GMC	410987!	155318A	OLIVE	450073
1550990	CLARK	416282	15527559	GMC	471750!	15527631	GMC	5487	155318A	WHITE	450073
1550992	CLARK	417353!	15527560	GMC	471766!	15527632	GMC	471271!	15533	C-R	472299
15509928	GMC	470625!	15527562	GMC	471795	15527633	GMC	415449!	155331A	OLIVE	416125!
1551061	CHRYS	6636S	15527563	GMC	6370N	15527634	GMC	415449!	155331A	WHITE	416125!
15510627	GMC	471271!	15527564	GMC	472354!	15527635	GMC	8975S	15533564	GMC	415082
15510775	GMC	415066	15527565	GMC	482163!	15527636	GMC	455079!	15534	C-R	472299
15510805	TROS	350974!	15527566	GMC	472258!	15527637	GMC	5401	15534471	GMC	HU042A
15510919	GMC	9773	15527567	GMC	471192	15527638	GMC	411330!	155346	HYST	417343!
15511	C-R	340927	15527568	GMC	473214!	15527639	GMC	451143	155346A	OLIVE	473473
15511060	GMC	415458	15527569	GMC	473215	15527640	GMC	413248	155346A	WHITE	473473
15511066	GMC	416654	15527570	GMC	6241S	15527641	GMC	415458!	15535	C-R	8935S
15511078	GMC	412473	15527571	GMC	473258!	15527642	GMC	415458!	15535	TMTR	471763
15511083	GMC	712937	15527572	GMC	474276	15527643	GMC	9773	15535300	GMC	415995
15511087	GMC	722250	15527573	GMC	470625!	15527644	GMC	455008	15536	CATER	472397!
15511129	GMC	416654!	15527574	GMC	340136	15527645	GMC	417484!	15536	TMTR	472397!
15511587	GMC	416282	15527575	GMC	470380!	15527646	GMC	417484!	155361	HYST	JX1190
15511791	GMC	472636!	15527576	GMC	470059	15527647	GMC	417316!	155371	HYST	415867
15512	C-R	40X50X8!	15527576	GMC	470380!	15527648	GMC	2222	15538	C-R	472299*
15512	C-R	710158	15527577	GMC	9613S	15527649	GMC	415960!	155384	AMC	471141!
15512274	GMC	476023V1=	15527578	GMC	471827	15527650	GMC	415960	15539	C-R	40438S
15512423	GMC	100263	15527579	GMC	473229!	15527651	GMC	415960!	15540	C-R	472299
15512423	GMC	3905	15527580	GMC	481181!	15527652	GMC	2081	1554005	ITM	224820
15512458	GMC	4561V	15527581	GMC	204017	15527653	GMC	417158!	1554005	ITM	48X62X8!
15512458	GMC	473274!	15527582	GMC	473367	15527654	GMC	417158!	155402	HYST	J1111
15513351	GMC	722250	15527583	GMC	473367	15527655	GMC	417134	155403	HYST	412920
15515	C-R	473517!	15527584	GMC	473010!	15527656	GMC	2674	15541	C-R	472299*
15516	C-R	473517!	15527585	GMC	473234	15527657	GMC	416500	15542	C-R	472299
15517	C-R	473517!*	15527586	GMC	450400	15527658	GMC	417349!	15542	SIDEW	471692!
15518	C-R	473517*	15527587	GMC	42352S	15527659	GMC	415995!	15543	C-R	472299
15519013A	HARWA	155X190X15	15527588	GMC	9845	15527660	GMC	8976S	15543	EMRSN	472299
15519908	GMC	370011A	15527589	GMC	472164!	15527661	GMC	416297	15544	C-R	40438S
15519910	GMC	370011A	15527590	GMC	472164	15527663	GMC	5313	15546	C-R	2506
1552001	ITM	224550	15527591	GMC	472164	15527664	GMC	6358	15546800	GMC	9613S
1552001	ITM	45X65X8!	15527592	GMC	472193!	15527665	GMC	416292	15549	C-R	472299
15520072	GMC	370145A	15527593	GMC	472179	15527666	GMC	415085!	15550	C-R	472299
15521	C-R	472213	15527594	GMC	471141!	15527666	GMC	456648	15550869	GMC	370003A
15521874	GMC	710102	15527595	GMC	472747	15527667	GMC	455249!	15551	C-R	472299
15521904	GMC	710106	15527596	GMC	2942	15527668	GMC	455858	15551435	GMC	473471
15522	C-R	472213	15527597	GMC	472439	15527669	GMC	415146!	15557	C-R	450666*
15522060	GMC	4762N	15527598	GMC	331227H	15527669	GMC	415991	15557677	GMC	370003A
15522062	GMC	710105	15527599	GMC	7107A=	15527670	GMC	415991	15557678	GMC	370023A
15523	C-R	472213	15527600	GMC	414045!	15527671	GMC	415437	155577	HYST	471538!
15524	C-R	472213	15527601	GMC	6808N	15527672	GMC	417355!	15557LUP	JN-MN	472164!
15524A	C-R	415697!	15527602	GMC	473459	15527672	GMC	485497	15558LUP	JN-MN	450446
15524A	C-R	455547	15527603	GMC	472394	15527673	GMC	415983N!	155627A	OLIVE	417344!
155256	HYST	415498	15527604	GMC	471424!	15527674	GMC	2377	155627A	WHITE	417344!
15526364	GMC	415234!	15527605	GMC	472924!	15527675	GMC	415379!	15563	C-R	450666*
15526365	GMC	415960	15527606	GMC	470530!	15527676	GMC	415697!	15566LDS	JN-MN	471271!
15526366	GMC	417484!	15527607	GMC	470530!	15527677	GMC	415958!	15569	C-R	471821!
15526367	GMC	100494	15527608	GMC	473463	15527677	GMC	415958	1557	ALOY	6808N
15526367	GMC	476470!	15527609	GMC	410102	15527678	GMC	456618	15570	C-R	471821!
155265TB	TRSCM	8695S	15527610	GMC	6954S	15527679	GMC	417506	15574LUP	JN-MN	455037
15527296	GMC	727410	15527611	GMC	5756	15527680	GMC	6864S	15575957	GMC	415991
15527297	GMC	470954	15527612	GMC	470898	15527681	GMC	417530	15577SA	SPG	415577
15527541	GMC	471554!	15527613	GMC	470898!	15527682	GMC	415351!	15579	C-R	471821!
15527542	GMC	471231!	15527614	GMC	470898	15527683	GMC	7006S	15579788	GMC	710046
15527543	GMC	471267!	15527615	GMC	410308!	15527684	GMC	2297V!	155801	CH MA	410496!
15527545	GMC	472311!	15527615	GMC	473468	15527755	GMC	370132A	155802	CH MA	350936
15527546	GMC	471224!	15527616	GMC	410308!	15527763	GMC	415958	15580225	GMC	714503

! Industrial Size/Type * Minor Width Difference

= The U.S. customer service number is 877-4-TIMKEN. The Canadian customer service numbers are 800-565-4927 (English) and 800-565-0438 (French-Canadian).

NUMERICAL INTERCHANGE

Mfr. No.	Name	Zero Duplication or Recommended Industrial	Mfr. No.	Name	Zero Duplication or Recommended Industrial	Mfr. No.	Name	Zero Duplication or Recommended Industrial	Mfr. No.	Name	Zero Duplication or Recommended Industrial
15580226	GMC	330385!	15612404	TROS	472354!	15658	BU-SP	412119!	157103	HOUGH	6590S
155803	CH MA	8597S	15612406	TROS	472354!	156599	GOODM	471138!	157103H1	HOUGH	6590S
15580329	GMC	714503	15612407	TROS	472354!	15660	C-R	200640	157106	HOUGH	472924!
15580381	GMC	472572	15613	C-R	471827!	156602	HOUGH	415458!	157106H1	HOUGH	472924!
155805	CH MA	417351!	15613203	TROS	253099	156602H2	HOUGH	415458!	157106H2	HOUGH	472924!
155806	CH MA	472164!	15614	C-R	472560N!	15661460	GMC	4333N	157106H3	IH	472924!
155807	CH MA	473228!	15614M1	BUC-E	472560N!	15661495	GMC	710211	157113H1	IH	204078=
155807A	OLIVE	416339	15614M1	C-R	472560N!	1566167	CLARK	472258!	157120H2	IH	473517!
155809	CH MA	481163!	15616050	GMC	714512	1566169	CLARK	473197	157136	AUTOZ	35126
155810	CH MA	410308!	156168	HYST	417278	1566172	CLARK	470950!	157137	AUTOZ	35162
155813	CH MA	7537S	15617178	GMC	6759S	1566172	CLARK	6241S	157141	JEFF	417210!
155819	CH MA	6371=	15617869	GMC	5682	1566175	CLARK	470380!	157141	SUL	417210!
155820	CH MA	471835!	15620	C-R	471827!	1566179	CLARK	470596	157145	AUTOZ	35261
15582172	GMC	6358	156200	HYST	416229	1566181	CLARK	472164!	157166A	WHITE	472492!
15582232	GMC	415960	156202SB	TRSCM	8421S	1566190	CLARK	472492!	15721	C-R	471316
15582257	GMC	710304	156202VB	TRSCM	7994S	1566195	CLARK	415349	15721	C-R	481397*
155831	CH MA	340817	156202VSB	TRSCM	330749V	1566199	CLARK	415234!	157217	AUTOZ	16215
15583783	GMC	9316	156205	HYST	471424!	1566208	CLARK	417082	157218	AUTOZ	16216
155838	CH MA	471272!	156210A	OLIVE	471554!	1566211	CLARK	416664!	15722	C-R	471579*
15583894	GMC	100263	156210A	WHITE	471554!	1566221	CLARK	417247!	157220	AUTOZ	16269
15583894	GMC	4562V	156220	HYST	415897	1566224	CLARK	415458!	157221	AUTOZ	16268
155843	CH MA	6575S	156220TZ	TRSCM	472213	1566225	CLARK	416107!	157223	AUTOZ	16316
155846	CH MA	473235!	156223	HYST	415458!	1566225	CLARK	455073	157224	AUTOZ	16217
15585	C-R	471821!	156233TB	TRSCM	472299	1566231	CLARK	416345!	157227	AUTOZ	16267
155856	CH MA	473454!	156234	HYST	416339	15662465	GMC	4503N	15724	C-R	471498*
155862	CH MA	416339	1562431SL	TRSCM	471821	1566326	GMC	9773	15724LUP	JN-MN	471355!
155863	CH MA	472636!	156243TB	TRSCM	471821!	15663537	GMC	370001A	15725	C-R	471316
1558633	GMC	415088	156245TB	TRSCM	471827!	15665322	GMC	416654	157269R91	IH	471413
15588359	GMC	710101	156252VHY	TRSCM	40185	15665326	GMC	9773	15728	C-R	471633!*
15588691	GMC	370199A	156253SB	TRSCM	472213	15665670	GMC	370005A	1572813	CATER	J2529
15588691	ROCKW	370199A	156253TB	TRSCM	473229!	15666	C-R	5790=	15729LDS	JN-MN	472397!
15588692	ACDEL	370211A	156255SA	TRSCM	200640	1566687	CLARK	417040	1573	ALOY	331107N
15588692	GMC	370211A	15626	C-R	471827	156670R91	IH	473459	15730	C-R	471316
15588693	GMC	370212A	156275SA	TRSCM	473441	15668LUP	JN-MN	471649!	157305	WITTE	411245!
155887	HOUGH	415938	15628LDS	JN-MN	416891!	1567	ALOY	9150S	15730504	GMC	370199A
155887H2	HOUGH	415938	1563	ALOY	6954S	15676	C-R	450143	15731	C-R	450545*
155887H2	IH	415938	15634	C-R	473229	15676LUP	JN-MN	416313	15733	C-R	224063
15589475	GMC	6358	15634020	GMC	4525V	15677	C-R	450143*	15735	C-R	471316*
15589666	GMC	710103	15634058	GMC	473237	15679880	GMC	370003A	15736	C-R	710505
15590	C-R	471821!	15634LDS	JN-MN	472394	15679881	GMC	370023A	15737	C-R	4764
1559008	ONAN	473445	15635	C-R	473229	1568	C-R	HU031A	1574	ALOY	7044NA
15591	C-R	471821!	15635	C-R	473229*	15680A	MASSE	330385!	15741	C-R	3459
15592	C-R	471821!*	15635	C-R	711552	156846R91	IH	240816	15742	C-R	3459
15594384	GMC	473471	15635260	GMC	714655	1568501A	SIDEW	473215!	15744	C-R	6336S
15595878	GMC	470530	15635281	GMC	470530	15686	C-R	470682	15744A	MASSE	471192
1559802	ITM	1955	15635334	GMC	415449	15687	C-R	470682	15746	C-R	473677
1559802	ITM	52X65X9!	15635337	GMC	7412S	15687419	GMC	370048A	15748	C-R	450803
1559809	ITM	1012	15635377	GMC	7412S	15687419	GMC	380048A	15749	C-R	450803
1559809	ITM	1012N	15636443	GMC	224850	1568762	CHRY	472354!	157496R91	IH	415995!
1559819	ITM	BS40382	1564	C-R	HU037A	15688S	SPG	418028	15750	C-R	3459
155X190X15	SIMRT	155X190X15	1564114	CLARK	413247!	1569	C-R	HU036A	15752	C-R	473441
15600	C-R	471827!	15641LPD	JN-MN	417210!	1569	CLSON	471526!	15753	C-R	1216
156004	GMC	416921!	15642	C-R	473229!	15690	C-R	42X80X8	15753	C-R	1216N
156005	GMC	415284	15643	C-R	473229!	15692	C-R	470682	15760	C-R	473441
15601	C-R	471827*	15644A	MASSE	471192	15693A	MASSE	50199S!	15761	C-R	473441*
156019	GMC	417344!	15646	FMC	417344!	15693A	MASSE	6863S!	15764	C-R	450273
156020	GMC	473243	15648	C-R	40185	15698	C-R	470682	15765	C-R	450273
15602640	GMC	5682	15649	C-R	42364S=	1569894	CHRY	340797	15766	C-R	450273
156042	HYST	413247!	1565	ALOY	442380	15699	C-R	470682	15767LDS	JN-MN	473234!
15604806	TROS	470390	1565	C-R	HU066A	1569915	CHRY	410308!	15769	C-R	450273
15605	C-R	471827*	15651	C-R	473229!	156B12404	TROS	472354!	1577	ALOY	5778
156082	US-EL	471821!	15651660	GMC	4739	156D6	WHITE	415041	15770LDS	JN-MN	473229!
1561	C-R	471270!	15651661	GMC	4740	156ML14	C-R	472560N!	15771	C-R	471827
15610004	TROS	471733	1565254	CHRY	5471\$	1570	ALOY	2955	15773	C-R	473442!*
15610007	TROS	471733	156533	IH	472397!	1570	C-R	HU034A	15774	C-R	473442!*
15610807	TROS	470712!	15654	C-R	473229!	15702	C-R	6336S	15775	C-R	473442!
15611171	GMC	370008A	15655	C-R	473229!	15703555	GMC	370023A	15776	C-R	473442!*
15611204	TROS	472475	15655172	GMC	4740	15703555	GMC	380023A	15777	C-R	471827
15611205	TROS	472475	156553C91	IH	472397!	15707	C-R	471316*	15779	C-R	473442
15611604	TROS	471737	15656	NATL	415656	157078	HOUGH	417269!	15780	C-R	473442
15612	C-R	450188	15656	WMG	415656	157078H1	HOUGH	417269!	15780	C-R	5778
15612007	TROS	473423	15657	BU-SP	470625!	157078H3	IH	417269!	15781	C-R	473442!

! Industrial Size/Type *Minor Width Difference \$F-M Number Is Part Of A Kit

=The U.S. customer service number is 877-4-TIMKEN. The Canadian customer service numbers are 800-565-4927 (English) and 800-565-0438 (French-Canadian).

Mfr. No.	Name	Zero Duplication or Recommended Industrial	Mfr. No.	Name	Zero Duplication or Recommended Industrial	Mfr. No.	Name	Zero Duplication or Recommended Industrial	Mfr. No.	Name	Zero Duplication or Recommended Industrial
15784	C-R	6808N	15846	C-R	40X62X8!	15900	C-R	4141	15A14589	WHITE	472258!
157844	HYST	417316!	15846	C-R	710196	15902	C-R	710131	15A15742	MINNM	473473
1578532	CLARK	370002A	15847	C-R	40X62X7	159035	ALLCH	417487	15A16195	MINNM	471224!
15788	C-R	5778	15848	C-R	224045	159036	ALLCH	471272!	15A72	MINNM	471750!
157884	HYST	417316!	15849	C-R	1216	15904	C-R	43074S	15A8155	MINNM	415116
1579	ALOY	410059	15849	C-R	1216N	15907J	DIA	6638S	15FM41A1	FAIRB	472951
1579	ALOY	470380!	15850	C-R	224100	15910	C-R	710436	15FM41A1	FAIRB	474252
15790	C-R	474133	15850	C-R	40X65X10!	15910LDS	JN-MN	415995!	15FM41A2	FAIRB	473016!
15791	C-R	5778V	15850	C-R	474161	15910LDS	JN-MN	415995!	15FM41A4	FAIRB	416273!
15796	C-R	3459	15851	C-R	224045	15915	C-R	480581=	15G47	OSHKO	471689!
15800	C-R	224052	15851	C-R	40X62X8!	159178	HYST	416130!	15HU-027-008	GKN	714675
15801	C-R	224015	15852	C-R	224100	159183	HYST	416039	15JG-1	KEN	415991!
15801LDS	JN-MN	416167!	15852	C-R	40X65X10!	15920	C-R	710140	15JG-1	KEN	415991
15802	C-R	224015	15853	C-R	224068*	159200	JEFF	470059	15JG-2	KEN	471570!
15802	C-R	239201	15853	C-R	40X68X12!*	159200	JEFF	470380!	15JG-3	KEN	240731
15802	C-R	4175*	15854	C-R	40X68X12	159213PSL-H	TRSCM	480581	15JG-4	KEN	417349
15803	C-R	1217	15854	C-R	40X68X8!	15924	C-R	471498*	15JG-5	KEN	471224
15804	C-R	224010	15855	C-R	40X70X8	15925A	C-R	474272	15JG-6	KEN	415983N!
15805	C-R	1962	158550	ALLCH	472179	159295	HYST	45637S	15JG7	KEN	456744N
15805	C-R	224015	158556	CUMMI	415035=	15929LUP	JN-MN	417501	15M-11	SPICE	340356
15807	C-R	1213N	15856	C-R	710196	15933	C-R	450065	15M-2	SPICE	340815
15807	C-R	40X54X6!	15857	C-R	40X72X7	159372	WAUKE	470625!	15M1	SPICE	472179
15808	C-R	1178	158577	HYST	9600S	15942	C-R	450065	15P562	MINNM	473467!
15809	C-R	710284	15858	C-R	224068*	159483	WAUKE	470645	15X24X7SC	TRSCM	15X24X7
1581	C-R	HU028A	15859A	C-R	470606!	1595	ALOY	473228	15X24X7TC	TRSCM	15X24X7
1581	CHEL	472258	15859A	MASSE	472157!	15951	SIDEW	450492	15X25X5	ISP	15X25X5!
15810	C-R	1213N*	15859A	MASSE	472157	15952X	MASSE	472164!	15X25X5ASN	ISP	15X25X5
15810	C-R	40X54X6!	15860	BU-SP	415072	159533	JEFF	455079!	15X25X6SC	TRSCM	15X25X6
15810LUP	JN-MN	415027	15860	C-R	350572	15953X	MASSE	473421	15X25X6TC	TRSCM	15X25X6
15815	C-R	224020	15860	C-R	40X72X7!	15954	C-R	450065*	15X25X7SC	TRSCM	15X25X7
15818	C-R	224020	15862	C-R	712011	15955	C-R	450065*	15X25X7TC	TRSCM	15X25X7
15819	C-R	473677	15863	C-R	474133	159556	JEFF	471267!	15X26X7SC	TRSCM	15X26X7
1582	WHITE	470565!	15864	C-R	40X75X8!	159562	JEFF	415725!	15X26X7TC	TRSCM	15X26X7
15820	C-R	40X55X8!	15864	C-R	712011	159563	JEFF	415725!	15X28X7SC	TRSCM	15X28X7
15820	C-R	473677	15865	C-R	40X78X10!*	159566	JEFF	471267!	15X28X7TC	TRSCM	15X28X7
15821	C-R	40X55X8V	15865	C-R	40X78X8!	159568	JEFF	417357	15X30X7SB	TRSCM	15X30X7
15822	C-R	224020	15866	C-R	1036	159568	JEFF	455192!	15X30X7SC	TRSCM	15X30X7
15822	C-R	40X55X8!	15867	C-R	1146	15957	C-R	450065	15X30X7TC	TRSCM	15X30X7
15822A	C-R	472015!	158685	ALLCH	415991	159572	HYST	416624!	15X32X7TAN(35)	ISP	15X32X7
15823	C-R	224020	158685	ALLCH	455146!	15960	C-R	482253	15X32X8SC	TRSCM	15X32X8
15823	C-R	40X55X8!	15869	C-R	40X60X10*	159604	JEFF	472924!	15X32X8TC	TRSCM	15X32X8
15825	C-R	712551	15870	C-R	40X80X10	159614	ALLCH	416339	15X35X7SC	TRSCM	15X35X7
15826	C-R	224026	15871	C-R	40X80X10V	159614	ALLCH	455031!	15X35X7TC	TRSCM	15X35X7
158262	JEFF	471281!	15872	C-R	40X80X10	159615	ALLCH	415072	15X37X6SC	TRSCM	15X37X6
15827F	OSHKO	415725!	15873	C-R	40X80X10V	15965961	GMC	370008A	15X37X6TC	TRSCM	15X37X6
15828	C-R	712551	15874A	MASSE	415458!	15968	C-R	451469*	15X484	MINNM	473450!
15830	C-R	40X57X10	15874X	MASSE	415458!	15969	SPICE	42763	16	WGEAR	471692!
15830	C-R	710432	15876	C-R	40X58X10	159691	SPICE	473444	16-5600-6	CNTIR	S-1012N
15835	C-R	3459	15876SA	SPG	415876	159693	SPICE	42763	16-5601-4	CNTIR	S-1126
15835	C-R	40X58X10!	15877	C-R	40X80X10*	159697	SPICE	42763	16-5602-2	CNTIR	S-1174
15835	C-R	40X58X8	15878	C-R	40X68X12	159727	JEFF	415303!	16-5603-0	CNTIR	S-1177
158354A	OLIVE	470954!	15880	C-R	40X85X8	159728	JEFF	417487	16-5604-8	CNTIR	S-1181
158354A	WHITE	470954!	15881	C-R	1213N	15973123	GMC	370120A	16-5605-6	CNTIR	S-1183
158358A	OLIVE	471224!	15882	C-R	712011	15975	C-R	450274*	16-5606-4	CNTIR	S-1188
158358A	WHITE	471224!	15882	C-R	712020	15978	C-R	710227	16-5607-2	CNTIR	S-1196
15836	C-R	3459	15883	C-R	712011	1598	KINNR	415995!	16-5608-0	CNTIR	S-1205N
15838	C-R	3459	15884G	P-C	TCS45483	15980	BU-SP	473467!	16-5609-8	CNTIR	S-1213N
15839	C-R	224040	15885	C-R	40X88X8	15981	BU-SP	415449!	16-5610-2	CNTIR	S-1217
15839	C-R	40X60X10!	15886	C-R	710113	15981A	MASSE	450400	16-5611-0	CNTIR	S-1883
15839LUP	JN-MN	415447	15887	C-R	710134	15982	BU-SP	416865!	16-5612-8	CNTIR	S-1884
15840	C-R	224040	15889LUP	JN-MN	411376!	15982769	GMC	370003A	16-5613-6	CNTIR	S-1932
15840	C-R	40X60X10!	1589	C-R	HU005A	15982869	GMC	370003A	16-5614-4	CNTIR	S-1948
15841	C-R	710147	15890	C-R	40X90X8	1599	ALOY	9912	16-5615-2	CNTIR	S-1950
158411	GOODM	417541	1589010	OSHKO	HU110A	15990004	GMC	370008A	16-5616-0	CNTIR	S-1953
158412	GOODM	417506	15891	C-R	224066	15992A	MASSE	450516	16-5617-8	CNTIR	S-1955
1584174	CLARK	455079!	15894G	P-C	TCS45483	15993A	MASSE	472015!	16-5618-6	CNTIR	S-1956
15842	C-R	710147	15896	NPG	4333N	15994	OLIVE	450129	16-5619-4	CNTIR	S-1960
15843	C-R	710202	15899NA	SPG	415899N	15994	OLIVE	472826!	16-5620-8	CNTIR	S-1962
15844	C-R	710147	15899NA	SPG	416624	15995	C-R	7456N	16-5621-6	CNTIR	S-1973
158444A	OLIVE	473231!	15899SA	SPG	415899N	15A10671	MINNM	204008	16-5622-4	CNTIR	S-1984
158444A	WHITE	473231!	15899SA	SPG	416624	15A11584	MINNM	470565!	16-5623-2	CNTIR	S-1987
15845	C-R	40X62X8!	1590	ALOY	9161	15A14589	MINNM	472258!	16-5624-0	CNTIR	S-1992

! Industrial Size/Type * Minor Width Difference

= The U.S. customer service number is 877-4-TIMKEN. The Canadian customer service numbers are 800-565-4927 (English) and 800-565-0438 (French-Canadian).

NUMERICAL INTERCHANGE

Zero Duplication or Recommended Industrial		Zero Duplication or Recommended Industrial		Zero Duplication or Recommended Industrial		Zero Duplication or Recommended Industrial					
Mfr. No.	Name	Mfr. No.	Name	Mfr. No.	Name	Mfr. No.	Name				
16-5625-8	CNTIR	S-1994	16-5697-6	CNTIR	S-442251	16-5770-0	CNTIR	S-9015S	1605	C-R	HU058A
16-5626-6	CNTIR	S-2002	16-5698-4	CNTIR	S-442874	16-5771-8	CNTIR	S-9150S	160502	JEFF	471551!
16-5627-4	CNTIR	S-2007	16-5699-2	CNTIR	S-444116	16-5772-6	CNTIR	S-9178S	16052	C-R	473230!
16-5628-2	CNTIR	S-203013	16-5700-8	CNTIR	S-455086	16-5773-4	CNTIR	S-9316	160524A	OLIVE	416921!
16-5629-0	CNTIR	S-203025	16-5701-6	CNTIR	S-470331N	16-5774-2	CNTIR	S-9406S	16053	C-R	473230!
16-5630-4	CNTIR	S-204013	16-5702-4	CNTIR	S-470361	16-5775-0	CNTIR	S-9449	16053	CLIN	474278!
16-5631-2	CNTIR	S-204017	16-5703-2	CNTIR	S-470460	16-5776-8	CNTIR	S-9569S	160530A	WHITE	240319
16-5632-0	CNTIR	S-204038	16-5704-0	CNTIR	S-471224	16-5777-6	CNTIR	S-9613S	160539	AMC	472560N!
16-5633-8	CNTIR	S-2043	16-5705-8	CNTIR	S-471271	16-5778-4	CNTIR	S-9845	1605397	GMC	9049
16-5634-6	CNTIR	S-2081	16-5706-6	CNTIR	S-471424	16-5779-2	CNTIR	S-9864S	1605397	GMC	9049N
16-5635-4	CNTIR	S-2146	16-5707-4	CNTIR	S-473468	16-5780-6	CNTIR	S-9912	16054	C-R	481181!
16-5636-2	CNTIR	S-223420	16-5708-2	CNTIR	S-473677	16-D19	LK-BT	416556!	160540	AMC	474278!
16-5637-0	CNTIR	S-223542	16-5709-0	CNTIR	S-4740	16-D19	LK-BT	472157	160546	JEFF	416865!
16-5638-8	CNTIR	S-223543	16-5710-4	CNTIR	S-474134	16-D20	LK-BT	471192	16054G	P-C	TCS45472
16-5639-6	CNTIR	S-223605	16-5711-2	CNTIR	S-4762N	160	C-R	BS1280	16058	C-R	473230!
16-5640-0	CNTIR	S-223830	16-5712-0	CNTIR	S-4795V	1600149	WHITE	408	16060	C-R	204017
16-5641-8	CNTIR	S-223840	16-5713-8	CNTIR	S-4899	1600194	WHITE	408	160603	CUMMI	470954
16-5642-6	CNTIR	S-224015	16-5714-6	CNTIR	S-493291	1600255	WHITE	412119!	16061	C-R	1999
16-5643-4	CNTIR	S-224026	16-5715-4	CNTIR	S-493637	16003	C-R	710444	16061	C-R	473230!
16-5644-2	CNTIR	S-224235	16-5716-2	CNTIR	S-494117	1600780	WHITE	408	16062	C-R	473230!
16-5645-0	CNTIR	S-224772	16-5717-0	CNTIR	S-494123	1601	C-R	471649!	16063	C-R	205017
16-5646-8	CNTIR	S-224820	16-5718-8	CNTIR	S-51098	16011	C-R	481650*	16064	C-R	204017
16-5647-6	CNTIR	S-225110	16-5719-6	CNTIR	S-5121	16012	C-R	471651*	16064G	P-C	TCS45472
16-5648-4	CNTIR	S-225225	16-5720-0	CNTIR	S-5131	16012	CLIN	470328	16066	C-R	205017*
16-5649-2	CNTIR	S-225230	16-5722-6	CNTIR	S-5604	16012	CLIN	481213!	16067	C-R	204017*
16-5650-6	CNTIR	S-226285	16-5723-4	CNTIR	S-5697	16012LUP	JN-MN	473239!	16068	TRMBL	733067
16-5651-4	CNTIR	S-22826	16-5724-2	CNTIR	S-5778	160132	ALLCH	415146!	16069	C-R	204017
16-5652-2	CNTIR	S-2506	16-5725-0	CNTIR	S-6358	160132	ALLCH	415991	16069	C-R	205017
16-5653-0	CNTIR	S-2655	16-5726-8	CNTIR	S-6712NA	16014	C-R	471652*	160692H1	HOUGH	417555!
16-5654-8	CNTIR	S-2658	16-5727-6	CNTIR	S-6815	16014L	C-R	471652	16070	C-R	473231*
16-5655-6	CNTIR	S-2692	16-5728-4	CNTIR	S-6840S	16014M1	C-R	471652	16070	C-R	473231!
16-5656-4	CNTIR	S-2955	16-5729-2	CNTIR	S-6954S	16015	C-R	710241	16071	C-R	473231
16-5657-2	CNTIR	S-3087	16-5730-6	CNTIR	S-7022S	16017	C-R	710402	16071SA	SPG	416071
16-5658-0	CNTIR	S-3173	16-5731-4	CNTIR	S-7038SA	16018510A	HARWA	160X185X10	16072	C-R	473231
16-5659-8	CNTIR	S-3195	16-5732-2	CNTIR	S-7044NA	16019	C-R	224068	16073	C-R	473231
16-5660-2	CNTIR	S-3214	16-5733-0	CNTIR	S-710005	160196	JEFF	417134	16076	C-R	5115
16-5661-0	CNTIR	S-3227	16-5734-8	CNTIR	S-710067	1601M1	C-R	471649!	160763A	OLIVE	410308!
16-5662-8	CNTIR	S-331107N	16-5735-6	CNTIR	S-710072	16020	EATON	474276	160763A	OLIVE	473468
16-5663-6	CNTIR	S-331227H	16-5736-4	CNTIR	S-710073	16020	FULLE	474276	16078	C-R	473230
16-5664-4	CNTIR	S-331228H	16-5737-2	CNTIR	S-710091	16021	C-R	474133	16079	C-R	473231!
16-5665-2	CNTIR	S-334111	16-5738-0	CNTIR	S-710092	16022	C-R	224015	16079LDS	JN-MN	415683*
16-5666-0	CNTIR	S-3357	16-5739-8	CNTIR	S-710096	16022A	MASSE	455079!	1608	C-R	HU065A
16-5667-8	CNTIR	S-3459	16-5740-2	CNTIR	S-710101	16023	C-R	710114	160809R91	IH	5405
16-5668-6	CNTIR	S-3543	16-5741-0	CNTIR	S-710105	16025	C-R	481644*	16080LDS	JN-MN	415656
16-5669-4	CNTIR	S-3604	16-5742-8	CNTIR	S-710110	1602537	WHITE	472157	16081	C-R	473231
16-5670-8	CNTIR	S-3622	16-5743-6	CNTIR	S-710166	16026	C-R	480844*	16081M	DIA	471271!
16-5671-6	CNTIR	S-3655	16-5744-4	CNTIR	S-710168	16027	C-R	473414*	16082	C-R	473231
16-5672-4	CNTIR	S-3677	16-5745-2	CNTIR	S-722108	16027	C-R	710114	16083	C-R	710204
16-5673-2	CNTIR	S-3723	16-5746-0	CNTIR	S-722109	160273	HARRI	415234!	16084	C-R	473231!
16-5674-0	CNTIR	S-3743	16-5747-8	CNTIR	S-7300S	1602788	WHITE	412119* =	16085	C-R	1192
16-5675-8	CNTIR	S-3747	16-5748-6	CNTIR	S-7412S	16028	C-R	471646	16085	C-R	473231
16-5676-6	CNTIR	S-3771	16-5749-4	CNTIR	S-7687S	16028M1	C-R	471646	16086	C-R	473231!
16-5677-4	CNTIR	S-3896	16-5750-8	CNTIR	S-7692S	16030	C-R	471647*	16088	C-R	473231!
16-5678-2	CNTIR	S-3946	16-5751-6	CNTIR	S-7781S	16031	C-R	471648*	16089	C-R	473231
16-5679-0	CNTIR	S-4072N	16-5752-4	CNTIR	S-7934S	16032	C-R	1950	16090	C-R	473231!
16-5680-4	CNTIR	S-4099	16-5753-2	CNTIR	S-8121S	16034	C-R	1180	16091	C-R	473231*
16-5681-2	CNTIR	S-410308	16-5754-0	CNTIR	S-8181NA	16034	C-R	41X55X7!	16092	C-R	473231!* =
16-5682-0	CNTIR	S-412920	16-5755-8	CNTIR	S-8312	160357A	WHITE	473232!	16097	C-R	473231
16-5683-8	CNTIR	S-4131	16-5756-6	CNTIR	S-8430S	16036	C-R	1180	16098	C-R	473231
16-5684-6	CNTIR	S-413248	16-5757-4	CNTIR	S-8460N	16037	C-R	710114	1609948C1	IH	370003A
16-5685-4	CNTIR	S-413470	16-5758-2	CNTIR	S-8516N	16038	C-R	710141	160X185X10	SIMRT	160X185X10
16-5686-2	CNTIR	S-41448	16-5759-0	CNTIR	S-8594S	16039	C-R	473694	160X185X10SC	TRSCM	160X185X10
16-5687-0	CNTIR	S-415009	16-5760-4	CNTIR	S-8610	1604	C-R	HU057A	160X185X10TC	TRSCM	160X185X10
16-5688-8	CNTIR	S-415960	16-5761-2	CNTIR	S-8611N	16040	C-R	8477S	160X190X15SC	TRSCM	160X190X15
16-5689-6	CNTIR	S-4160	16-5762-0	CNTIR	S-8660S	16041	C-R	710220	160X190X15TC	TRSCM	160X190X15
16-5690-0	CNTIR	S-416273	16-5763-8	CNTIR	S-8695S	16043	C-R	4143	160X200X12AN	ISP	160X200X12
16-5691-8	CNTIR	S-417158	16-5764-6	CNTIR	S-8704S	160433A	OLIVE	417343!	160X200X15SC	TRSCM	160X200X15
16-5692-6	CNTIR	S-4249	16-5765-4	CNTIR	S-8705S	160433A	WHITE	417343!	160X200X15TC	TRSCM	160X200X15
16-5693-4	CNTIR	S-4250	16-5766-2	CNTIR	S-8792S	16044	C-R	8835S	161	DALMO	350435
16-5694-2	CNTIR	S-4278	16-5767-0	CNTIR	S-8835S	16044G	P-C	TCS45472	16100	MICH	471442!
16-5695-0	CNTIR	S-4370N	16-5768-8	CNTIR	S-8871	16046	C-R	473694!	16100	UNIVE	471442!
16-5696-8	CNTIR	S-442109	16-5769-6	CNTIR	S-8974S	16047	C-R	472419	1610095	AMC	471570!

! Industrial Size/Type * Minor Width Difference

= The U.S. customer service number is 877-4-TIMKEN. The Canadian customer service numbers are 800-565-4927 (English) and 800-565-0438 (French-Canadian).

Mfr. No.	Name	Zero Duplication or Recommended Industrial	Mfr. No.	Name	Zero Duplication or Recommended Industrial	Mfr. No.	Name	Zero Duplication or Recommended Industrial	Mfr. No.	Name	Zero Duplication or Recommended Industrial
16101	C-R	473231!	16141A	MASSE	470625!	16223TB	TRSCM	473230!	16283TB	TRSCM	473444!
1610187M1	MASSE	415995!	161452	H-S	240119	16223VSB	TRSCM	473230	16284	C-R	204500!
1610187M1	MASSE	415995!	1614578	GMC	3907	16225	C-R	481644	16284	C-R	291099*
161019	H-S	415303!	1614579	GMC	3907	16226	C-R	471645	16285	C-R	6356
161020A	OLIVE	415995!	16146	C-R	4762N	1622631	GMC	710263	16286	C-R	200641
16103	C-R	473367!	16148	C-R	473367	16227	C-R	473414	16287	C-R	8835S
16103	C-R	473367	16150	C-R	473367!	16228	C-R	471646	162874A	OLIVE	473517=
16103550	FREIG	471870!	16150	C-R	473367	162285	LEYLD	330385!	162874A	WHITE	473517* =
16104	NPG	4370N	1615116	GMC	3606	16228B	C-R	471646	162875A	OLIVE	410496=
161052	ACF	340771	16153	C-R	473367	162290	JEFF	471231!	162875A	WHITE	410496=
161057	H-S	472924!	16155	CLAYN	471271!	16230	C-R	471647	162876A	OLIVE	472150=
161058	H-S	471267!	16156	CHRYSS	7300S	16231	C-R	471648	162876A	WHITE	472150=
161075	JEFF	472164!	16156	NEWPR	2465	16233TB	TRSCM	473231!	16289	C-R	204500*
161076	JEFF	470898	16159LPD	JN-MN	471504	16234VHY	TRSCM	205017	16289	C-R	291099*
161077	JEFF	455311	161673	Y-T	417344!	16235	TRMBL	370023A	16289	C-R	4763S
161079	JEFF	415995!	16168	C-R	473367	16235SA	TRSCM	473231	16291	C-R	473232!
16108	C-R	473367	161686	EATON	100495	162389	JEFF	472439	16293	C-R	473232!
161080	H-S	470625!	161686	EATON	417349	162402	JEFF	415867	16295	C-R	714679
1611	C-R	471649!	161686	Y-T	417349	162407A	HARWA	16X24X7	16296	C-R	473232
161100A	OLIVE	340724!	16173	C-R	473367!	16240J	DIA	472144!	16297	C-R	473232
1611035	WOOL	416345!	16173	C-R	473367	16241LUP	JN-MN	473235!	162Z28	C-R	471646!
1611035	WOOL	455033	16177	EATON	412473=	16242LDS	JN-MN	417316!	163	DALMO	50199S!
161106	H-S	471466!	16177	FULLE	412473!	16243TB	TRSCM	473367	163	DALMO	6863S!
16111	C-R	481650*	16178	C-R	473367!	16244	C-R	6356	16303SA	TRSCM	414268
16112	C-R	471651*	16178	C-R	473367	162443TB	TRSCM	471829	163062A	OLIVE	455134=
161121	JEFF	470605!	161781	CUMMI	473016=	16245	C-R	473010!	163062A	WHITE	455134!
161124	JEFF	415995!	16179	C-R	473367!	16246	C-R	473010!	16306LDS	JN-MN	415219
161125	JEFF	415991	16179	C-R	473367	16247	C-R	473010	16307	C-R	473232!*
161125	JEFF	455146!	16179STLUP	JN-MN	455966	16249	C-R	473010	163075	AMC	473435
16113	C-R	473367!	16180	C-R	471829*	1624D	GOODM	472397!	16308	C-R	473232!*
16113	C-R	473367	16184	C-R	473367	1625	CHEL	415449!	16310004	TROS	471744!
16114	C-R	471652	16184	C-R	473367!	1625-10698LPD	JN-MN	55103S	16311207	TROS	473426
16115	JN SON	471224!	16186	C-R	471829	1625-15473STLUP	JN-MN	509756=	16311604	TROS	471750!
16116	C-R	710102	1618683	CHRYSS	3103!	16250	C-R	473010	16311607	TROS	471750!
16117	C-R	473367*	16188	FMC	473227!	162503TB	TRSCM	473234!	16311608	TROS	471750!
16117	C-R	473367	16188	SIDEW	473227	162509	JEFF	417082	16311LUP	JN-MN	417602!
16118	C-R	473367*	16189	C-R	471829	16251	C-R	473010!	16313	MCCOR	5587
16118	C-R	473367	161919H2	IH	473231!	16252	C-R	473010!	16313204	TROS	474276
16118	C-R	473367	16199	C-R	471829*	1625240	C-R	509756=	16313207	TROS	474276!
16119	C-R	473367!	161H1	C-R	471649!	16253	C-R	473010	16313208	TROS	474276!
1611M1	C-R	471649!	162	C-R	5453	1625380	C-R	55103S	16314	C-R	473232!
1611M1	MASSE	471649!	162	DALMO	350364	16253TB	TRSCM	473010!	16315	C-R	473232!
16120	C-R	473367V	16201	C-R	471829*	16253VTB	TRSCM	473010	163196	US-EL	476470!
16121	C-R	473367!	16204	C-R	471829	16254	C-R	473010!	163196	US-EL	476470
16121	C-R	473367*	162052	JEFF	471689!	162550	C-R	55103S	163207B	HARWA	16X32X7
1612170M1	MASSE	200188=	162075	AMC	473435	16257	C-R	473010	16322	C-R	40568S
1612172M1	MASSE	416125!	162075	JEFF	471870!	16257F	DIA	472924!	16325	C-R	473232!
1612223	CHRYSS	471646!	162080	AMC	473435	16258	C-R	473010	16327	C-R	473232
161222SC	TRSCM	1181	16209	C-R	6513*	1625840M1	MASSE	415150!	16328	C-R	473232
16125	C-R	481644*	1620D5	WHITE	412119	162601	JEFF	471554!	163295	WOODB	471652
16125	MICH	471472!	1621	C-R	471649!	162602	JEFF	472810!	16330	C-R	40568S
16125	UNIVE	471472!	16210	C-R	471829*	162603	JEFF	471549!	16331	C-R	473232!
161255SZ	TRSCM	8835S	16211	C-R	481650	16262	C-R	714569	16332	C-R	473232!
16126	C-R	471645*	16211407.5	TROS	203016	16263	C-R	473010!	16333	C-R	481864
16127	C-R	473414*	16211607.5	TROS	6906S	16263J	DIA	417355!	16334	C-R	481864
16128	C-R	471646	162116X07.5C	TROS	6906S	16263TB	TRSCM	473232!	16335	C-R	473232!
1612823C1	IH	370131A	162118	AMC	473367!	16264	C-R	473010!*	163351	PACIF	470334!
16128M1	C-R	471646	162118	AMC	473367	16265	C-R	473010!*	163353	PACIF	55329=
16130	C-R	471647*	16212	C-R	471651	1626520UB	TRSCM	200886	16336	C-R	473232!
16131	C-R	471648*	162128	CUMMI	415458	162668	JEFF	471570!	16337	C-R	481864*
161310	H-S	417210!	16212SB	TRSCM	481181!	162683SB	TRSCM	481864	16339	C-R	481864
16132	C-R	473367!	16214	C-R	471652	16268SS	JN-MN	411253!	163391	PACIF	480581
16132	C-R	473367	16217	C-R	473367	16269LDS	JN-MN	417210!	163392	PACIF	416041
161323	AMC	471827	16217	C-R	473367!	1627159M1	MASSE	311189	16340	C-R	481864
1613239M1	MASSE	40097S	16219	C-R	473367!	16272SB	TRSCM	40286	16341	PACIF	341022
16134	C-R	473367	16219	C-R	473367	16273TB	TRSCM	473236!	16342	C-R	5727
1613409	CHRYSS	6840S	1621M1	C-R	471649!	16275	C-R	473010!	163421	PACIF	416267!
16137	C-R	473367!	1621Y2	C-R	471649!	1627806	GMC	710075	1634210	PACIF	417601
16137	C-R	473367	1622222	GMC	9599S	1627827	GMC	710263	1634211	PACIF	417605
16137	MICH	471549!	16223	C-R	473367!	16279	TRMBL	HU009A	1634212	PACIF	415482
16137	UNIVE	471549!	16223	C-R	473367	16280	C-R	473010	1634215	PACIF	415962
16138	C-R	473367!	162231	JEFF	474253	16281	C-R	473010	1634216	PACIF	471504
16138	C-R	473367									

! Industrial Size/Type * Minor Width Difference

= The U.S. customer service number is 877-4-TIMKEN. The Canadian customer service numbers are 800-565-4927 (English) and 800-565-0438 (French-Canadian).

NUMERICAL INTERCHANGE

Mfr. No.	Name	Zero Duplication or Recommended Industrial	Mfr. No.	Name	Zero Duplication or Recommended Industrial	Mfr. No.	Name	Zero Duplication or Recommended Industrial	Mfr. No.	Name	Zero Duplication or Recommended Industrial
1634217	PACIF	417357	16365LUP	JN-MN	417020	16495	C-R	42X55X8*	16532	C-R	450260
1634219	PACIF	471466!	16367	C-R	474274	1649628C1	IH	416158	16533	C-R	2025*
1634220	PACIF	413246	16368	C-R	474274*	1649628C1	NAVST	386025A	16533LUP	JN-MN	451948
1634220	PACIF	415001!	16368	C-R	474274*	165	C-R	BS5974	16534	C-R	224255*
1634221	PACIF	472258!	16370	EATON	476424N	1650	DURA	471224!	16534	C-R	42X65X10*
1634223	PACIF	415043	16371LUP	JN-MN	471141!	16500	C-R	8620N*	16535	C-R	42X70X10
1634225	PACIF	416154!	16373	C-R	450275	1650011	DURA	473446	16535LUP	JN-MN	472150
1634226	PACIF	415867	16374	C-R	450275*	16502	C-R	224210	16536	C-R	710442
1634227	PACIF	417484!	16374	TRMBL	HU013A	16503	C-R	1214	16536LUP	JN-MN	410825
163423	PACIF	416664!	1637536-24	SKF	370106A*	16503	C-R	1214N	16537	C-R	42X65X10
163424	PACIF	417316!	163785	CUMMI	471984=	16503	C-R	42X55X8!	16539LUP	JN-MN	455566
163425	PACIF	417134	16385	C-R	450819*	165035	HYST	473229	16540	C-R	450260
163426	PACIF	476470!	163871	HYST	417487!	1650397	WGEAR	240462	16540LUP	JN-MN	456305
163426	PACIF	476470	163871	HYST	417487	16504	C-R	3774	16541	C-R	450260
163428	PACIF	416380!	163887	GMC	415035!	16504	C-R	42X56X7!	16541LUP	JN-MN	416294!
163429	PACIF	417254	163887	GMC	415035	16504	C-R	710386	16542	C-R	710179
1634310	PACIF	411376!	16389	C-R	473444	16505	C-R	224220	16542LUP	JN-MN	417495
1634311	PACIF	455079!	16390	C-R	473444	16505	C-R	42X56X7!	1654330C1	IH	370023A
1634312	PACIF	415458!	163912	HYST	473459	16506	C-R	494117	16543LUP	JN-MN	415498
1634313	PACIF	415984!	16392	C-R	4674N	16507	C-R	3051N	16544LUP	JN-MN	455189
1634314	PACIF	417316!	163A11406.5	TROS	203025	16508	C-R	710097	16545	C-R	7457N
1634315	PACIF	455310	163A11606.5	TROS	203029	16509	C-R	224235	16545LUP	JN-MN	415958
1634316	PACIF	418028	163C13204	TROS	41257!	16509	C-R	42X58X7!	16546	C-R	710186
1634316	PACIF	455137!	16405	C-R	473444	16511	C-R	224215	165469	SPICE	410825
1634317	PACIF	418028	16406	C-R	473444!*	16511	C-R	474241V	16546LUP	JN-MN	417505
1634318	PACIF	417191	164063	ALLCH	417597	165118	ALLCH	471689!	16547	C-R	7457N
1634318	PACIF	455165!	16416	C-R	450415	16512	C-R	224210	16547LUP	JN-MN	417515
1634319	PACIF	415437	16416	NPG	710046	165122A	OLIVE	416921!	16548	C-R	224235
1634320	PACIF	415027	16422	C-R	414268!	165122A	WHITE	416921!	1654875C1	IH	710006
1634320	PACIF	415027!	16422	C-R	414268*	165123A	OLIVE	416557	1654887C92	IH	39930
1634321	PACIF	415379!	164263PTB	TRSCM	8620N	165123A	WHITE	415172	16548LUP	JN-MN	455197N
1634321	PACIF	415379	16426SS	JN-MN	50199S!	165123A	WHITE	416332!	16549	C-R	710517
1634322	PACIF	416339	16426SS	JN-MN	6863S!	1651279C91	IH	100495	16549LUP	JN-MN	455576!
1634323	PACIF	417366!	16428	C-R	450335	1651279C91	IH	4810V	1654G	OSHKO	415088!
1634324	PACIF	415034!	16431	C-R	450335	1651280C91	IH	415995	1654G	OSHKO	415088
1634325	PACIF	417357	16432LUP	JN-MN	228010	1651281C91	IH	712000	165510	JEFF	473016!
1634325	PACIF	455192!	16433LUP	JN-MN	110X130X12	16513	C-R	42X55X7	1655102C1	IH	370124A
1634326	PACIF	416891!	16435	C-R	411978N=	16514	C-R	1953	16552	C-R	42X68X8
1634327	PACIF	416154!	16436	C-R	450540*	16515	C-R	1953	16553	C-R	710207
1634328	PACIF	415058	164368	ALLCH	327303!	16515	C-R	2025	16554	C-R	42X72X10V
1634331	PACIF	455290	16438	C-R	450467	16515	C-R	42X60X7!	16554LUP	JN-MN	455476*
1634332	PACIF	417555!	1643G	OSHKO	415991	16516	C-R	2642	16555	C-R	224270
1634333	PACIF	415072	1643G	OSHKO	455146!	16517	C-R	2025	16555	C-R	42X72X10!
1634334	PACIF	455480!	16440	C-R	450467	16517	C-R	42X60X10V!	16556	C-R	450073*
1634335	PACIF	417601	16447LUP	JN-MN	471270!	165175A	OLIVE	471272=	16558	C-R	42X72X8
1634336	PACIF	417605	164513R1	NAVST	425RR	165175A	WHITE	471272=	16559	C-R	452086
1634337	PACIF	416706!	16452LUP	JN-MN	472016!	16518	C-R	224250	16561	C-R	42X72X10
1634339	PACIF	450621	164544	JEFF	416332!	16519	C-R	224250	165618	HOUGH	471504
1634342	PACIF	470088	164567A	MINNM	330385	16519	C-R	42X62X8!	16562	C-R	450284=
1634348	PACIF	416892!	164639	HYST	JV1166	16520	SIDEW	473458!	16563	C-R	450284=
1634349	PACIF	416239!	164648	JEFF	476838!	16522	C-R	224254	16564	C-R	710245
163435	PACIF	470596	16465LDS	JN-MN	473205!	16523	C-R	224250	16564	YARD	471538!
1634351	PACIF	415294!	164662A	OLIVE	473459	16523	C-R	224252*	16565	C-R	4615V
1634352	PACIF	417600	16467LDS	JN-MN	473235!	16523	C-R	224253	16565	C-R	710286
1634358	PACIF	471413!	16472LDS	JN-MN	416294!	16523	C-R	42X62X8!	16567	C-R	7300S
163436	PACIF	471504!	1647308	GMC	710262	16523	C-R	42X62X8V!	16568	YARD	340724!
1634362	PACIF	455596=	1647311	GMC	710263	16524	OLIVE	471224!	165756A	OLIVE	JV980=
163437	PACIF	472164!	1647477	GMC	710261	16525	C-R	224255	165756A	WHITE	JV980=
163438	PACIF	473313	1648	ALOY	4148	16525	C-R	42X65X10!	165757A	WHITE	200870
163439	PACIF	412027	1648	ALOY	471424!	16525LDS	JN-MN	415052	16578	C-R	710502
16344	C-R	5727	164848	WAUKE	J1129	165263PTB	TRSCM	7457N	16579	MYERS	473197
1634631	SPICE	470774!	164849A	WAUKE	455134!	16527	C-R	224255	16590	C-R	42X80X10
1634632	SPICE	413246	164855	HOUGH	472016	16527	C-R	42X65X10V!	16594	C-R	710133
16349	C-R	474274	164855H1	HOUGH	472016	16528	C-R	224266	165947R91	IH	471341!
16350	C-R	474274	1648957	AMC	411253!	16528	EATON	471424=	165949R91	IH	415483!
1635662	PACIF	455596=	164918	JEFF	473214	16529	C-R	224252	16597	TRMBL	370012A
16358	C-R	40286	164919	JEFF	471795	16529	C-R	224253	16598LUP	JN-MN	416135!
16359	SIDEW	473231!	16492	C-R	42X56X7*	16529	EATON	J1107	16599	C-R	4099
16362	C-R	40286	16493	C-R	42X56X7V!	16530	C-R	42X68X10	165P3	WHITE	7107A=
163625A	WHITE	J1119	16494	C-R	224220	16530LDS	JN-MN	416383	165X190X13CS	ISP	165X190X13
16364	C-R	474274!	16494	C-R	3774	16531	C-R	224200	166-101	PYUNG	223606
163654	CUMMI	425RR	16494	C-R	710386	16531	SIDEW	473231	166-102	PYUNG	228008

! Industrial Size/Type * Minor Width Difference

= The U.S. customer service number is 877-4-TIMKEN. The Canadian customer service numbers are 800-565-4927 (English) and 800-565-0438 (French-Canadian).

Mfr. No.	Name	Zero Duplication or Recommended Industrial	Mfr. No.	Name	Zero Duplication or Recommended Industrial	Mfr. No.	Name	Zero Duplication or Recommended Industrial	Mfr. No.	Name	Zero Duplication or Recommended Industrial
166-103	PYUNG	1108	16684W	DIA	473464!	16780	CHRY5	714655	168263VHY	TRSCM	473235
166021	SIMPL	471231!	16684W	DIA	473464	16780	NPG	714655	168265TB	TRSCM	473235!
16605LUP	JN-MN	456641	166850	DIA	5M867	16781	CHRY5	470530	1682683TL	TRSCM	474265
16607	EATON	473473	16685C	DIA	5M867	16781	NPG	470530	1682713SL	TRSCM	450765!
16610	C-R	473234!	16689	C-R	473445	16785	C-R	473235!*	16834G	P-C	TCS45472
1661230	CHRY5	5481\$	16692	C-R	473445*	167980	ALLCH	50501	168354	HYST	476098N=
166202	AMC	473435	16693	TRMBL	AR10+370020A	168-054	PYUNG	2146	16841	C-R	474265
16623	NPG	472572	16696	BU-SP	471224!	168-055	PYUNG	710335	16842	C-R	474265!
16624	BU-SP	415991	16696	C-R	473445	168-056	PYUNG	710222	16842	C-R	474265*
16624	BU-SP	415991!	1669724	CHRY5	470898!	168-057	PYUNG	712007	16847	C-R	450765!
1663	ALOY	471271!!	1669851	CHRY5	410308!	168-058	PYUNG	223240	16848	C-R	450765!
166300	NEHO	291099	16699	C-R	473445*	168-060	PYUNG	4244	16848	SIDEW	204013
16636LUP	JN-MN	415483	167	C-R	BS5974	168-100	PYUNG	224020	1684LPD	JN-MN	416107!
166437R91	IH	456618	167-033	PYUNG	228030	168-111	PYUNG	227235	1684LPD	JN-MN	455073
166488A	WHITE	410496!	167-037	PYUNG	1216N	168-112	PYUNG	3771	1684OS	JN-MN	416107!
16650	C-R	353141!*	167-038	PYUNG	55X78X10	168-118	PYUNG	223543	1684OS	JN-MN	455073
16650	C-R	6084	167-039	PYUNG	1973	168-120	PYUNG	474134	16853	C-R	450765!*
166503	SPERY	471750!	167-071	PYUNG	1126	168-126	PYUNG	712007	16854	C-R	450765!*
1665375C91	IH	4624V	167-072	PYUNG	4990	168-127	PYUNG	222025	16855W	DIA	416271!
16655	C-R	205017	167-073	PYUNG	710323	168-128	PYUNG	223014	168572	JEFF	473236!
1665544C1	IH	710211	167-076	PYUNG	221620	168-156	PYUNG	320583	168574	JEFF	412943
16656	C-R	473317	167-078	PYUNG	2007N	168-158	PYUNG	710361	168575	JEFF	415449!
16657	C-R	473317	167-081	PYUNG	1990	168-166	PYUNG	710404	16862	TRMBL	733067
16657F	DIA	415960	167-094	PYUNG	710316	168-171	PYUNG	712007	168629	WAUKE	J1109
16658SS	JN-MN	416664!*	167-096	PYUNG	1932	168-172	PYUNG	221710	168630	WAUKE	473204=
16659	C-R	473317	167-098	PYUNG	2007N	168-1722	PYUNG	221710	16865	C-R	473235!
16660	C-R	203008	167-124	PYUNG	2011	168-173	PYUNG	228005	16865LDS	JN-MN	417600
166600A	WHITE	471272=	167-132	PYUNG	223801	168-175	PYUNG	223014	16866	C-R	473236!
16660M	CLARK	417548	16700	C-R	473445*	168-176	PYUNG	223608	16866	EATON	415995!
16662	C-R	204008	1671152C2	IH	415035	168-178	PYUNG	225010	16867	C-R	473236!
16665	C-R	203008	16713	C-R	473234!	168-181	PYUNG	225875	16868	C-R	473236!
16667	C-R	204008	167131H1	IH	476470	168-182	PYUNG	710401	168705	US-EL	455121
16668	C-R	473317	1671340	CHRY5	6960	168-183	PYUNG	710270	16871	C-R	473234
1666808	CHRY5	470898!	167141	BENDI	340210	168-211	PYUNG	224460	168720	WAUKE	472857H* =
16669	C-R	473233!	16715	C-R	473234	168-212	PYUNG	712007	16874G	P-C	TCS45472
16675	C-R	473445	16716	C-R	473234	168-213	PYUNG	222025	1688203C1	IH	370001A
16675	MYERS	471271!!	167176	HYST	417602!	168-214	PYUNG	228005	16884	DANMA	204002
1667583	CHRY5	417484!	1671763	CHRY5	471827	168-217	PYUNG	710417	16884G	P-C	TCS45472
1667599	CHRY5	416500	16719	C-R	473234	168-225	PYUNG	224255	16889	C-R	2012V
16676	C-R	473445	16719LDS	JN-MN	472144!	168-235	PYUNG	229005	16892	C-R	334111
1667620	CHRY5	415449!	16720	C-R	473234!	168-236	PYUNG	223010	16893	C-R	2012V*
1667652	CHRY5	471267!	16720LDS	JN-MN	417555!*	168-242	PYUNG	223018	16893	C-R	710264
1667670	CHRY5	417484!	16725	C-R	2465	168-243	PYUNG	227235	16894	C-R	710291
1667704	CHRY5	471570!	16725	C-R	7300S	168-245	PYUNG	223750	16895	C-R	43X57X8
1667863	CHRY5	410308	167268H1	HOUGH	474276	168-249	PYUNG	228480	16897	C-R	320583
16679	C-R	473445	16727	C-R	7300S	168-252	PYUNG	224810	16897	C-R	43X60X8
16680	C-R	473445	167302A	WHITE	8126S	168-253	PYUNG	223543	16898	C-R	224320*
1668181	CHRY5	410737!	1673373	CHRY5	470487!	168-271	PYUNG	3771	16899	C-R	473236!
1668311	FOOTE	471570!	16734	C-R	473234!	16800	C-R	473235!	16899F	DIA	456618
16683131	FOOTE	472572!	16735	C-R	712146	16801	C-R	473235!	16900	C-R	473236!
16683141	FOOTE	472144!	16738	C-R	473234	16805	C-R	473235	1690006	CHALL	355732
16683181	FOOTE	450313	1673838	CHRY5	7886S	16806	C-R	473235!	1690006AM	CHALL	355732
16683201	FOOTE	471271!	16739	C-R	473234	1680802C1	IH	380003A	1690007	CHALL	415082
1668321	FOOTE	450039	16740LDS	JN-MN	415725!	1680802C1	NAVST	370003A	1690016	CHALL	415995!
16683211	FOOTE	455079!	16743	C-R	40154S	16811	C-R	473235	1690016AM	CHALL	415995!
16683231	FOOTE	416921!	167432	US-EL	415449!	16816	C-R	473235!	1690016BM	CHALL	415995!
16683241	FOOTE	416956	16743LPD	JN-MN	453182	16816LUP	JN-MN	417533	1690021	CHALL	472394
16683251	FOOTE	417349	16744	C-R	473234!*	168175	JEFF	415449!	1690021AM	CHALL	472394
16683261	FOOTE	415995!	16747	BU-SP	471472!	16818	C-R	200886	1690073	CHALL	473232
16683301	FOOTE	415027!	16747	C-R	2146	16820	C-R	7381S	1690074AM	CHALL	455005
16683301	FOOTE	415027!	16751LUP	JN-MN	416130!	16821	C-R	474265	1690096	CHALL	471341!
1668331	FOOTE	471764!	16754	C-R	470460* =	168213KC	TRSCM	1183	1690096CM	CHALL	471341!
16683321	FOOTE	455134!	16757	C-R	9178S	168216	WHITE	473459	1690099	CHALL	417513
16683331	FOOTE	416888!	16759	C-R	473235!	16822	C-R	474265	16901	C-R	3622
16683341	FOOTE	415351!	167591A	WHITE	455472=	168224	ALLCH	474276!	1690114	CHALL	473231!
1668341	FOOTE	471795	16762LDS	JN-MN	416229	168233TB	TRSCM	473317	1690114AM	CHALL	473231!
1668351	FOOTE	473211!	16763LDS	JN-MN	417596	168235VHY	TRSCM	203008	1690143	CHALL	473229
1668361	FOOTE	471192	16764	C-R	473235!	168235VHY	TRSCM	204008	1690143AM	CHALL	473229
1668371	FOOTE	473215!	16765	C-R	473235!	168244SSB	TRSCM	473445	1690145	CHALL	471341!
1668391	FOOTE	473225!	16769C	DIA	417238	168255TB	TRSCM	2146	1690172AM	CHALL	415027
1668489	CHRY5	471267!	16769SS	JN-MN	50199S!	168255TB	TRSCM	470460	1690172AM	CHALL	415027!
16684C	DIA	415458!	16769SS	JN-MN	6863S!	168258TBJ	TRSCM	7300S	1690190AM	CHALL	415027

! Industrial Size/Type * Minor Width Difference \$F-M Number Is Part Of A Kit
 = The U.S. customer service number is 877-4-TIMKEN. The Canadian customer service numbers are 800-565-4927 (English) and 800-565-0438 (French-Canadian).

NUMERICAL INTERCHANGE

Mfr. No.	Name	Zero Duplication or Recommended Industrial	Mfr. No.	Name	Zero Duplication or Recommended Industrial	Mfr. No.	Name	Zero Duplication or Recommended Industrial	Mfr. No.	Name	Zero Duplication or Recommended Industrial
1690190BM	CHALL	415027	16947A	C-R	470898	1700847	AVANT	9912	17050	C-R	450533 *
16902	C-R	3622	16960	C-R	470596 *	17009	C-R	470086	17050	DGASK	5108
16902	CHAMP	9674	169634	US-EL	412943	1700923	FMC	240470	17051	DGASK	5072
1690204	CHALL	350909	16976	EATON	473462	1701+2701	STEM	386025A	17053	C-R	3747
1690204	CHALL	471224!	16976	FULLE	473462	1701+2701	STEM	416158	17053	DGASK	5337
1690204AM	CHALL	350909	16977	EATON	410737!	170117	JEFF	415937!	17053D	IH	471570!
1690204AM	CHALL	471224!	16978	EATON	J1111	170122	JEFF	471766!	17054	DGASK	3909
1690205	CHALL	417350!	16979	EATON	J1106	170123	JEFF	471689!	17054	DGASK	BS40380
1690205AM	CHALL	417350!	16981	C-R	473446 *	170129	ALLCH	450269	17054	DGASK	BS40620
1690213AM	CHALL	416339	16982	C-R	473446 *	17013	DGASK	5591	17054LUP	JN-MN	450307
1690213AM	CHALL	455031!	169847	JEFF	471538!	17014	DGASK	228020	1705540	WHITE	473464!
1690214AM	CHALL	473010	16984LUP	JN-MN	473459	17015	DGASK	713750	1705540	WHITE	473464
1690215	CHALL	417487	16986LDS	JN-MN	417606	17015	DGASK	BS15868	1705548	WHITE	416271!
1690222AM	CHALL	410308!	169948C91	IH	472636!	17016	DGASK	3698	170560	US-EL	473237!
1690223	CHALL	355737 =	16998	C-R	473446 *	17018	DGASK	5092	1705821	HEIL	240119
1690224	CHALL	472409!	16999	C-R	473446 *	17018	SPICE	471413	17059	DGASK	5419
169022AM	CHALL	410308!	169FF18	C-R	474278!	170180	JEFF	417316!	17059	DGASK	BS5048
1690293AM	CHALL	40169S	169HA15-L	C-R	474260	170182	JEFF	471567!	1706	CHEL	470530!
16903	C-R	473236!	169HA18	C-R	474278!	17019	SPICE	473444	1706+2706	STEM	416892
1690305AP	CHALL	472492!	169HA18	C-R	6859S	1702	C-R	HU036A	1706+2710	STEM	370131A
1690465	CHALL	471341!	169HMS18	C-R	474278!	1702+2702	STEM	370001A	1706+320-2706	STEM	416892
1690467	CHALL	200122	169HMS18	C-R	6859S	1702+320-2702	STEM	370001A	1706013	HEIL	471554!
1690467AP	CHALL	200122	169W11	C-R	470606!	1702+320-2702	STEM	380001A	1706014	HEIL	473426
1690468AP	CHALL	412040	169W12	C-R	470606!	17020LDS	JN-MN	415219	17062	NPG	224850
1690492	CHALL	327303!	16A3116	MTR-C	473454	17021	DGASK	5112	17062LUP	JN-MN	417597
1690492AM	CHALL	327303!	16A3373	FED	471231!	17021	DGASK	5112S	17064	DGASK	5390
1690493	CHALL	345035	16A3810	FED	450593!	170223PTBP	TRSCM	2955	17068	DGASK	5390
16905	C-R	43X69X8	16A7342	FED	470059	1702251	WHITE	470625!	1706933	HEIL	473228
1690531AM	CHALL	416154!	16A7342	FED	470380!	1702340	WHITE	415983N!	1707+2707	STEM	370023A
1690534AM	CHALL	473215!	16A7415	FED	471141!	1702530	WHITE	415995!	1707+320-2707	STEM	370023A
1690569	CHALL	415995!	16A7628	FED	471554!	1702740	OSHKO	415023	1707+320-2707	STEM	380023A
1690598AM	CHALL	416154!	16A7639	FED	473215!	1703	C-R	HU149A	170703	ALLCH	240319
1690659AM	CHALL	370020A	16B7400	FED	473462	1703+2703	STEM	370003A	17076	DGASK	473573
1690701AM	CHALL	370006A	16D19	FMC	416556!	1703+320-2703	STEM	370003A	1708	C-R	HU065A
1690752AM	CHALL	473227!	16D19	FMC	472157	1703+320-2703	STEM	380003A	1708+2708	STEM	370124A
169084	ALLCH	450104	16D20	FMC	471192	17030	DGASK	5111	17080	DGASK	716102
1691141C2	IH	415088	16M943	UNIVE	450593!	17030	DGASK	5111S	1708443	WHITE	412119!
1691143C1	IH	710008	16T12	ATHEY	412119!	1703035	HEIL	415449!	1708548	WHITE	470530!
1691144C2	IH	4624V	16X22X4SC	TRSCM	16X22X4	170304A	SELAS	710067	1709	C-R	HU003A
1691145C2	IH	415995	16X22X4TC	TRSCM	16X22X4	1703125	HEIL	415449!	1709	NATL	2064
169114C1	IH	710006	16X24X5AN(35)	ISP	16X24X5	17032	DGASK	5414	1709+2709	STEM	370037A
16912	C-R	470606!	16X24X6SC	TRSCM	16X24X6	1703213	HEIL	470954	1709+2709	STEM	370338A
16912M1	C-R	470606!	16X24X6TC	TRSCM	16X24X6	1703292	HEIL	470954	17090	C-R	9911S
16914	C-R	43X73X8	16X24X7	FORSH	16X24X7	17033	DICO	472193!	170910	ALLCH	471689!
16914G	P-C	TCS45472	16X24X7	SIMRT	16X24X7	170330	JEFF	471271!	17095	C-R	1198
16915	C-R	474260	16X24X7SC	TRSCM	16X24X7	1703339	WHITE	471711!	1709814	FMC	471643!
16916	C-R	470328	16X24X7TC	TRSCM	16X24X7	170337	ALLCH	481163!	170X200X15SC	TRSCM	170X200X15
16916	C-R	481213!	16X26X7SC	TRSCM	16X26X7	17034	C-R	470086 *	170X200X15TC	TRSCM	170X200X15
16916M1	C-R	470328	16X26X7TC	TRSCM	16X26X7	17034	DGASK	5117	170X210X15SC	TRSCM	170X210X15
16916M1	C-R	481213!	16X28X7SC	TRSCM	16X28X7	1703454	WHITE	473179	170X210X15TC	TRSCM	170X210X15
16917	C-R	710142	16X28X7TC	TRSCM	16X28X7	17035	C-R	470086	1710+2710	STEM	370131A
16918	C-R	474278!	16X30X7SC	TRSCM	16X30X7	17035	DGASK	5127	17100	C-R	710067
16918M1	C-R	474278!	16X30X7TC	TRSCM	16X30X7	17037	C-R	710105	1710450	WHITE	6603 *=
16918T5	C-R	474278!	16X32X7	SIMRT	16X32X7	17038	C-R	470687 *	17106	C-R	2955
1691RC	SUL	417546!	16X32X7SC	TRSCM	16X32X7	1704	C-R	HU149A	17107	C-R	2955
169237	AU-WS	410059	16X32X7TC	TRSCM	16X32X7	1704+2704	STEM	370036A	17107	CATER	471689!
169237	AU-WS	470380!	16X35X7SC	TRSCM	16X35X7	1704+2704	STEM	370349A	17107	TMTR	471689!
169237	B-L-H	410059	16X35X7TC	TRSCM	16X35X7	1704+2704	STEM	380036A	171075R91	IH	471271!
169237	B-L-H	470380!	16X38X7SC	TRSCM	16X38X7	17040	C-R	450533 *	171076R91	IH	471272!
16924	C-R	710159	16X38X7TC	TRSCM	16X38X7	17040	DGASK	473573	1711	C-R	HU024A
169240R1	NAVST	411	16X40X7SC	TRSCM	16X40X7	17041	C-R	450533	1711+2711	STEM	370048A
169256R1	SELAS	2146	16X40X7TC	TRSCM	16X40X7	17041	DGASK	710056	1711+320-2711	STEM	370048A
16926LPD	JN-MN	115X140X12	170000	SPG	712107	17042	DGASK	5116	1711+320-2711	STEM	380048A
1692G	OSHKO	471785!	17002	DGASK	5092	17043	DGASK	5118	17110	C-R	8121S
16930	C-R	50419	17004	SPICE	40566S	17046	DGASK	228005	1711035	WOOL	471349
169328	IH	JV1166	170041	SPICE	40566S	17048	DGASK	3772	17112	MICH	471530
169328C1	IH	JV1166	170046	JEFF	415138!	1704OS	JN-MN	327303!	17112	UNIVE	471530
169329C91	CASE	200851	17006	DGASK	5132	1705	C-R	HU058A	17113	C-R	710193
169329C91	IH	200851	17007	C-R	471981	1705+2705	STEM	370065A	17113LUP	JN-MN	472636!
16933LUP	JN-MN	415449!	1700742	AVANT	5778	1705+2705	STEM	380065A	17115	C-R	6840S
169437	ALLCH	471795	17008	DGASK	5068	1705+2718	STEM	415058	17119	C-R	471744!
16945	C-R	473235	1700846	AVANT	473228	1705+327-2718	STEM	415058	1712+2711	STEM	370021A

! Industrial Size/Type * Minor Width Difference

= The U.S. customer service number is 877-4-TIMKEN. The Canadian customer service numbers are 800-565-4927 (English) and 800-565-0438 (French-Canadian).

Mfr. No.	Name	Zero Duplication or Recommended Industrial	Mfr. No.	Name	Zero Duplication or Recommended Industrial	Mfr. No.	Name	Zero Duplication or Recommended Industrial	Mfr. No.	Name	Zero Duplication or Recommended Industrial
1712+320-2712	STEM	370021A	17179	C-R	44X70X8	17223	DGASK	228009	1726+2727	STEM	370150A
1712+3712	STEM	370021A	17179	DGASK	228010	1722380	WHITE	415449!	17260A	MASSE	417316!
17122	C-R	224660	17179	DGASK	BS40252	17224	DGASK	227045	17261	C-R	473237
1712271	CHRY	470354	1717N2	WHITE	417538	17225	DGASK	228010	17262	C-R	473237!*
17123	C-R	50327	17180	DGASK	4307V!	1722546	WHITE	471224!	17263	C-R	473237!
17124	C-R	50327	17181	DGASK	4307V!	17226	DGASK	231004	17263	DGASK	BS40638
171255TB	TRSCM	473336	17183	DGASK	5591	17226	DGASK	BS16192-1	17263TB	TRSCM	472185!
171255VB	TRSCM	442251	17184	C-R	224470	1722607	WHITE	471466!	17265	C-R	473237
1713	C-R	HU044A	17184	C-R	44X72X10!	1722652	WHITE	413246	17265	DGASK	BS40617
1713+2713	STEM	370019A	17185	DGASK	3772	17227	DGASK	228010	17267	C-R	473237!
17130	C-R	44X58X8	17186	C-R	224470	17227	EATON	411394=	17268	C-R	473237!
17134M	DIA	415449!	17186	C-R	44X72X10!	17228	DGASK	228008	1726835B	TRSCM	50289
17135	C-R	450068	17186	DGASK	710060	17228	DGASK	BS40583	1726DA	MASSE	417316!
17136	C-R	450068	17187	C-R	8705S*	17228LUP	JN-MN	455134!	1727	C-R	HU019A
17137	CHRY	415449	17187	DGASK	473573	17229	DGASK	227040	17270	C-R	473237!
17137	NPG	415449	17188	C-R	8705S	17229	DGASK	BS25035	17271	C-R	473237!
17139	C-R	224461	17188	DGASK	39608	17229	EATON	J1112	172714TC	TRSCM	323119
17139	C-R	44X60X10!	17189	C-R	8705S	1723	C-R	HU066A	17272	C-R	473237!
17139	C-R	44X60X7*	1718N2	WHITE	415449!	17230	C-R	450400*	172737	ALLCH	417555!
17140	C-R	50075=	1719	ALLCH	471192	17230	DGASK	716102	17273TB	TRSCM	472179
17141	C-R	50075=	1719	TRAC	471192	17231	C-R	450400*	17273UA	TRSCM	200854
17142	C-R	224460	17190	C-R	8460N	17231	DGASK	227530	17273VHY	TRSCM	204002
17144	C-R	442251	17191	C-R	710115	17232	DGASK	228010	17274	C-R	473237!
17145	C-R	5836	17191	DGASK	228008	17233	DGASK	228010	17275	DGASK	BS40626
17146	C-R	442251	17191	DGASK	BS40535	17234	C-R	450400*=	1727592	FMC	472324!
17147	C-R	224462	1719115	WHITE	450400	17234SB	TRSCM	482126	1727593	FMC	473214!
17148	C-R	224460	1719137	WHITE	6597S	17234SP	TRSCM	473237	17276	SPICE	40769S
17148	C-R	224461	17192	DGASK	228480	17235	C-R	450400*	1727607	WHITE	471538!
17149	C-R	224462	17193	C-R	710208	17235	DGASK	226480	17277	C-R	204503
17149	C-R	44X62X8!	17193	DGASK	4307V!	17236	DGASK	710258	17277	C-R	41206S=
1715	C-R	HU028A	17194	C-R	710283	172361	CLIMX	240733	17278LUP	JN-MN	223275
17150	C-R	50191	17194	DGASK	4307V!	17236LUP	JN-MN	223014	17278LUP	JN-MN	32X56X10!
17151	C-R	50191	17195	C-R	8705S	172373TB	TRSCM	473237!	1728+2728	STEM	370047A
1715482	WHITE	6644	17195	DGASK	4359V	1723758	FMC	470390	17280	C-R	9845
17155	DICO	412920!	17196	DGASK	710075	17238	DGASK	229005	17280A	C-R	472636!
1715514	WHITE	412027	17196	DGASK	BS40396	17239	DGASK	2377	17281	C-R	471504
1715672	WHITE	473203	17197	DGASK	226820	17239	DGASK	BS40509	1728192	WHITE	5778
17158M	DIA	472636!	17198	DGASK	228700	1723903	WHITE	473473	17283	C-R	471504
17159	C-R	470334!	17199	DGASK	3698	1724	C-R	HU070A	17284	C-R	471504
17159	C-R	50289	17199LDS	JN-MN	415379!	1724+2724	STEM	417506	17285	C-R	471504
1715N2	WHITE	471270!	17199LDS	JN-MN	415379	17240	C-R	42352S*	17285	SIDEW	470625!
1716	ALOY	3214	17200	DGASK	5591	17240	DGASK	3893V	17286	C-R	6936S
17160	C-R	224465	17201	DGASK	227410	17241	DGASK	710060	17286	C-R	9845
17160	C-R	44X65X10!	17201	DGASK	BS40381	17241	DGASK	BS40449-1	17286	DGASK	BS40625
171609	EL-MO	415379!	17202	DGASK	228009	17242	DGASK	716445	17287	C-R	471504
171609	EL-MO	415379	17204	DGASK	BS40268	17242	DGASK	BS40578	17287	DGASK	BS40619
171609	JEFF	415379	17205	DGASK	710060	17242VHY	TRSCM	43071S	17287	SIDEW	472299
171609	JEFF	415379!	17206	DGASK	227020	17243TB	TRSCM	471504!	172875SA	TRSCM	471141
1716100	WHITE	5401	17207	DGASK	228250	17244	C-R	450400	172875TA	TRSCM	471141!
1716130	WHITE	416130!	17208	DGASK	229005	172443TB	TRSCM	471831!	17288	DGASK	BS40182
17162	C-R	50081	17209	DGASK	228009	172463	JEFF	470712!	17289	C-R	471504
171628	HEIL	476838!	17209	DGASK	BS27493	17248	C-R	42352S	1728M5	WHITE	471689!
17163	C-R	50081	1721	ALOY	4148	17248	DGASK	BS40592	1729	C-R	HU014A
17164	C-R	50081	1721+2721	STEM	370132A	1724D	GOODM	472015!	17290	C-R	471504
17165	C-R	350609	17210	ALLCH	204002	17250	DGASK	231004	17293	C-R	471504=
17166	C-R	350609	17210	DGASK	228410	17250	DGASK	BS16192-1	17294	C-R	471504!
17167D	IH	471255!	17211	DGASK	228010	17251	DGASK	BS40592	172940	CLIMX	415104N=
17168	C-R	224465	17213	DGASK	228009	17252	C-R	473237!	172942	CLIMX	417487
17168	C-R	44X65X10!	1721396	WHITE	45653S	17252VH	TRSCM	40494S	172942	CLIMX	417487!
171683	JEFF	471649!	17215	DGASK	228410	17253	DGASK	BS40598	1730	C-R	HU014A
171690	ALLCH	40360S!	17216	DGASK	3772	17253SSB	TRSCM	472164	17302	C-R	471504!
17170	C-R	6098=	17217	DGASK	3772	17253TB	TRSCM	472164!	17303	C-R	471504
17170	DGASK	3698	17218	DGASK	1021V	17253VTB	TRSCM	472164!	173037TB	TRSCM	471984
17170	DGASK	BS40110	17218	DGASK	BS40265	17255	DGASK	228009	173063TB	TRSCM	473313!
171700	ALLCH	45013S	17219	DGASK	1019	17256	C-R	6840S	173063TB	TRSCM	710005
17174	C-R	6101	17219	DGASK	BS40387	17256	DGASK	226820	17308A	MASSE	470530!
17174	DGASK	227235	17220	DGASK	227045	172563VHY	TRSCM	203015	1730985	CHRY	474278!
17175	DGASK	5390	17221	DGASK	716102	172563VHY	TRSCM	205015!	1730985	CHRY	6859S
17176	DGASK	5419	172210	JEFF	417205!	17257	C-R	482126	1731	C-R	471689
17177	DGASK	415379!	17221VB	TRSCM	340400	17257	DGASK	229210	17310	C-R	43071S
17178	DGASK	5065	17222	DGASK	227550	1725831	WHITE	471795	17312	C-R	471705!*
17178LDS	JN-MN	472409!	17222A	MASSE	473245!	17259A	MASSE	472144!	17314	C-R	471692!

! Industrial Size/Type * Minor Width Difference

= The U.S. customer service number is 877-4-TIMKEN. The Canadian customer service numbers are 800-565-4927 (English) and 800-565-0438 (French-Canadian).

NUMERICAL INTERCHANGE

Mfr. No.	Name	Zero Duplication or Recommended Industrial	Mfr. No.	Name	Zero Duplication or Recommended Industrial	Mfr. No.	Name	Zero Duplication or Recommended Industrial	Mfr. No.	Name	Zero Duplication or Recommended Industrial
17314M1	C-R	471692!	173849	JEFF	472636!	1743	C-R	HW009A	17516	C-R	472179
17315	C-R	471831!*	173857	ALLCH	471984	17430	C-R	472951	1751702M1	MASSE	471267!
173153SM	TRSCM	482267	17386	C-R	472164*	17430	C-R	474252	1751M1	C-R	471689
17316A	MASSE	417344!	17386	C-R	472164!	17430M1	C-R	472951	17520	C-R	710248
17317	C-R	471831!	17387	C-R	472164!	17430M1	C-R	474252	17520015A	HARWA	175X200X15
17318	C-R	471831!	17388	C-R	40494S	17431	C-R	471688*	17521	TRMBL	370023A
173193	ALLCH	412473!	173883	JEFF	472164!	17431	CASE	472015=	17521	WHITE	370023A
173194	ALLCH	55301S	1738831	CHRY5	5126	17431	WHITE	415001!	17522	C-R	472179
173197	ALLCH	471887	17389	C-R	472164!	17432	C-R	472185!	17522	C-R	472179=
1731M1	C-R	471689!	17390	C-R	472164	17433	C-R	472185!	17522	TRMBL	370007A
1732	C-R	HU007A	17391	C-R	472164!	17436	SCHWI	473225!	175223SA	TRSCM	450400
17320	C-R	471831=	17392	C-R	472164	17441	C-R	472185!*	17523	C-R	472179
173232KM	TRSCM	6840S	17392LUP	JN-MN	1012*	17442	C-R	472185!	17524	C-R	471684!
173234KBY	TRSCM	8121S	17392LUP	JN-MN	1012N*	17443	C-R	472185!	17524M1	C-R	471684!
17324	C-R	471684!	17392LUP	JN-MN	45X62X8!*	17444	C-R	3227	17525	C-R	471337
173242VB	TRSCM	8705S	17393	C-R	7300S	17446	C-R	472185!	17526	C-R	471686
17324A	MASSE	470409!	17393TB	TRSCM	476820	17447	C-R	472185!	17528	C-R	470590
17324A	MASSE	50409	17395	C-R	472164!	17450	C-R	472185!	1752N2	WHITE	417538
17324M1	C-R	471684!	17395601	JOHND	416327	17451	C-R	472185!	17530	C-R	472951
17326	C-R	471686*	17396	C-R	472164!*	17455557	AUTSP	472826!	17530	C-R	474252
173275VHY	TRSCM	5836	173968	JEFF	450400	17456	C-R	472185!	17530M1	C-R	472951
17328	C-R	470590*	173970	JEFF	472179	17456	C-R	472185*	17530M1	C-R	474252
173285PTBJ	TRSCM	8460N	17399	C-R	472164*	17457	C-R	472185!	17531	C-R	471688
1733	C-R	HU009A	1740	C-R	41760A	174573	ALLCH	472029	17533	C-R	472179
17330	C-R	472951	17400	C-R	472164!	174574	ALLCH	415995!	17535	C-R	472179
17330	C-R	474252	17401	C-R	472164*	17458	C-R	3227	1753532M1	MASSE	471554!
173305PTBP	TRSCM	6818	17402	C-R	472164!	17459	C-R	3227	17537	C-R	472179
17330M1	C-R	472951	1740270	WHITE	HU110A	17459	MALL	471571	17538	C-R	472179
17330M1	C-R	474252	1740273	WHITE	370007A	17460	C-R	472185!	1754	C-R	HU057A
17331	C-R	471688	1740274	WHITE	HU036A	17460	SPICE	472354!	17542	SPICE	40286
17332	C-R	6489*	174029	CLIMX	417487	1746312	SPICE	415027	1754299M1	MASSE	421
1733603	CHRY5	7188S	17403	C-R	472193!	17465	C-R	472185!	17544	C-R	40183S
1734	C-R	HU008A	17403	C-R	473234	17466	C-R	472185!	17544	C-R	472179
17340	C-R	494122	17403	NEWPR	4813V	17468	BU-SP	415072	1754411M1	MASSE	414
17340	C-R	6489*	17404	C-R	472193*	17468	C-R	1177	1754835M1	MASSE	340724!
17341	C-R	6489	17404	C-R	472193!	17472	C-R	470334!	17552	C-R	472179
1734152	BENDI	417343!	17405	C-R	472164!	17472X	MASSE	472439	17559	JEFF	417511
173422SP	TRSCM	7607	17405LUP	JN-MN	224025	17473	C-R	470334!*	17556	C-R	472179
17344	C-R	6489*	17406	C-R	203015	17474	C-R	470334!	17557	C-R	472179
173463	JEFF	470712!	174069H1	HOUGH	472018	17475	C-R	470334!	17558	C-R	472179
17348	C-R	203007=	174069H1	IH	472018	17475LDS	JN-MN	415027	1756904	ROCKW	415991
1734913	CHRY5	471538	17409	C-R	472193!	17476LDS	JN-MN	415227!	1756904	ROCKW	455146!
1734RC	SUL	471648	174099H1	HOUGH	416229	17478	SPICE	40769S	17560S	JN-MN	416339
17353	C-R	710389	174099H1	IH	416229	174783	SPICE	40769S	17560S	JN-MN	455031!
17354	C-R	204007=	174099H2	IH	416229	174826	JEFF	470625!	175732H1	HOUGH	471424!
17357	C-R	6489	17410	C-R	472193!	17483	C-R	470334!	175732H1	IH	471424!
17358	C-R	473157	17410D	IH	417247!	17484	C-R	470334!*	17581	C-R	473447
17359	C-R	6489	17412	C-R	471705!*	17485	C-R	200854	17582	C-R	473447
1736	C-R	HU012A	17413	C-R	473796	174854	ALLCH	415027!	17583	CASE	40067S=
17360	C-R	472164!	174136	CLIMX	415937!	174854	ALLCH	415027	175938	JEFF	416888!
17362	C-R	472164!	174137	CLIMX	416865!	17486LUP	JN-MN	472299	17593LDS	JN-MN	415027
17363	C-R	472164!	17414	C-R	471692!	17488	C-R	204038	17599	C-R	472179
17364	C-R	472164!	17414M1	C-R	471692!	174938	JEFF	320457	175991	JEFF	473405
17365	C-R	472164!*	17415	C-R	204502	17494	C-R	472179	175A4	WHITE	472636!
17365A	C-R	472924!	17416	C-R	473203	17497	SPICE	471689!	175F-1	KEN	471689!
17366	C-R	472164!	17418	C-R	471413	17497	VIC	471689!	175G	OSHKO	417344
1737	C-R	50631	17418M1	FREIG	471413!	1749OS	JN-MN	472397!	175K1	WHITE	240151
17371	C-R	472164!*	1741M1	C-R	471689	174Z1	C-R	471689	175ML1M1	C-R	471689
173713	AU-LI	471765!	1742	C-R	HU013A	174ZM1	C-R	471689	175W1	C-R	471689
17372	C-R	472164!	17420	C-R	472185!	17502	C-R	473237	175W1M1	C-R	471689
173735	ALLCH	415991	17420SS	JN-MN	22X32X7	175038	FORD	472185!	175W30	C-R	472951
173735	ALLCH	415991!	1742252	WHITE	413469!	17508	C-R	472179	175W30	C-R	474252
17375	C-R	472164!	174227JX	MICH	200600	175088	ALLCH	415138!	175X200X15	SIMRT	175X200X15
17376	C-R	472164!	17423	C-R	472185!	17509	C-R	472179	175X200X15SC	TRSCM	175X200X15
1737771	CHRY5	3103!	17424	C-R	471684!	1751	C-R	471689	175X200X15TC	TRSCM	175X200X15
17379	C-R	472164!	17424M1	C-R	471684!	1751	CABOT	471689!	17600	CASE	472924!
1738	C-R	HU011A	17425	EATON	415027	17511	C-R	471705!	17605	C-R	473447*
17381	C-R	472164!	17426	C-R	471686*	17512	C-R	471705!	17607	C-R	323119
1738263	CHRY5	470898!	174277	HYST	412473!	17514	C-R	471692!	17608	C-R	200354*
17382A	MASSE	473010	17428	C-R	470590*	17514M1	C-R	471692!	17609	C-R	204002*
17383A	MASSE	473214	1743	C-R	HU009A	17515	C-R	472179	17611	C-R	204002*
17384	C-R	472164!	1743	C-R	HU159A	175155	JEFF	415483!	17614	C-R	203002

! Industrial Size/Type * Minor Width Difference

= The U.S. customer service number is 877-4-TIMKEN. The Canadian customer service numbers are 800-565-4927 (English) and 800-565-0438 (French-Canadian).

Mfr. No.	Name	Zero Duplication or Recommended Industrial	Mfr. No.	Name	Zero Duplication or Recommended Industrial	Mfr. No.	Name	Zero Duplication or Recommended Industrial	Mfr. No.	Name	Zero Duplication or Recommended Industrial
17617	C-R	204038	17717	C-R	1992*	17767	C-R	320564	17834	C-R	450269
17618	C-R	200354	17718	C-R	473313!	17767	C-R	45X68X10V!	178345	HYST	415294!
176199R91	IH	471413	177190	JEFF	416107!	17769	C-R	45X68X7*	17836	C-R	6781
17620	C-R	200600	177190	JEFF	455073	17770	C-R	45X70X10!	1784	C-R	HU066A
17623	C-R	470334!	177191	JEFF	412473!	17771	C-R	476820	17841	C-R	450285
17623	C-R	50289	17719A	C-R	470530!	17773	C-R	224570	17842	C-R	450285
176234	US-EL	473239!	17720	C-R	710005	17773	C-R	45X72X8V!	178446	HYST	482163!
17624	C-R	712260	17722	C-R	710005	17774	C-R	45X72X7*	17846	C-R	8314
176256	US-EL	455480!	177234PTBY	TRSCM	2440	17775	C-R	9845	17846LDS	JN-MN	417020
17627A	MASSE	412119!	17724	C-R	200303=	17775	C-R	9845V	17847	C-R	450285
176364	HYST	471138!	17724A	C-R	473228	17776	C-R	45X72X95	178481	JEFF	471647
17638	C-R	471141!	17726	C-R	482267	17778	C-R	1943	17849	C-R	4072
17639	C-R	471141!	17727	C-R	6818	17778	C-R	224570*	17849	C-R	4072N
1764	C-R	HU037A	17728	C-R	224510	17778	C-R	45X72X7!	1785	C-R	HU149A
1764292	GMC	473471	17729	C-R	224460	17779LDS	JN-MN	415027	17851	C-R	480281!
17643A	C-R	415449!	1772RC	SUL	416288!	17780LDS	JN-MN	417598	178566	FUNK	415138!
17644	C-R	471141!*	17730	C-R	224520	17781	C-R	2440	1786	C-R	HU012A
17645	C-R	471141!*	17730	C-R	45X60X8!	17782	C-R	1979*	1787	C-R	HU036A
1765	C-R	HU042A	17731LDS	JN-MN	415303!	17782	C-R	45X75X7!	17879	C-R	450089
17650	C-R	471141!	17732	C-R	224520	17783	C-R	1979	178791	JOY	417511
17651	C-R	471141!	17732	C-R	45X60X10!	17783	C-R	45X75X10V!	1788	C-R	HU009A
17653	C-R	471141!*	17734	C-R	1992*	17784	C-R	224510	1788	C-R	HU159A
17655	C-R	471141!	17734	C-R	224550	17784	C-R	45X58X7!	17880	C-R	450089
17656	C-R	471141!	17734	C-R	45X65X8!	17785	C-R	45X70X10!	178813	JEFF	471649!
17657	C-R	471141	17736	C-R	1012	17785	C-R	710238	17886LUP	JN-MN	417563
17659C	SUL	412119!	17736	C-R	1012N	17787	C-R	714075	17887A	WAUKE	415984!
176681R91	IH	450593!	17737	SUPER	415254	17788LDS	JN-MN	417602!	1789	C-R	HU005A
17670LDS	JN-MN	473238!	17739	C-R	470088*	17789	C-R	1939	1789613	CHRY5	471734
17671	C-R	471141!*	17739	SUPER	455019!	177896	ALLCH	340787	17897	C-R	224650
17674	C-R	471141	17741	C-R	45X60X7	17790	C-R	1012	178HDR14	C-R	204020
17675	C-R	5711	17742	C-R	1012*	17790	C-R	1012N	178HDR14	C-R	204505!
17678	C-R	473448	17742	C-R	1012N*	17790	C-R	45X62X8!	1790	C-R	HU110A
1768	C-R	HU031A	177431H1	IH	470954!	17791	C-R	45X80X10	1790	C-R	HU159A
17680	C-R	5711	177433	ALLCH	415025	17792	C-R	1952	179030	CHRY5	5526
17681	C-R	473448	17744	C-R	45X72X12	17793	C-R	45X82X8	17905	C-R	710126
17682	C-R	5711*	17745	C-R	470088*	17793LUP	JN-MN	472439	17909	C-R	444116
17684	C-R	473448	17745LUP	JN-MN	481864	17794	C-R	45X80X10	17909	C-R	46X59X8!
17685	C-R	473448	17746	C-R	470088*	177949	US-EL	471766!	1791	C-R	HU009A
17685	SIDEW	471192	17746LDS	JN-MN	416239!*	17794LUP	JN-MN	473204	1791	C-R	HU159A
17686	C-R	1979	17748	C-R	3583	17795	C-R	224570	17910	C-R	46X60X8
17687LDS	JN-MN	473231!	17749	C-R	45X62X8*	17796	C-R	45X85X10	17914	US-EL	472185!
17688LDS	JN-MN	471424!	17750	C-R	224520	17775	WHITE	415449!	179147	ALLCH	416865!
17689	C-R	473448*	17750	C-R	45X60X10!	17801	C-R	1939	17915	C-R	710128
1769	C-R	HU036A	17751	C-R	210945	17802	C-R	1906*	1791590	CHRY5	5778
17691	C-R	710126	17752	C-R	224520	17803	C-R	710525	179164H1	IH	417357
17691LDS	JN-MN	471692!	17752	C-R	45X60X8V!	17804	SUPER	418028	1791687	CHRY5	410308!
176927	CUMMI	417621	17753	C-R	710078	17804	SUPER	455137!	1791688	CHRY5	470898
17693	C-R	473448*	17754	C-R	1012	17805	C-R	321460	1791717	CHRY5	40316S
17694LDS	JN-MN	471224!	17754	C-R	1012N	17806	C-R	321460*	179177	ALLCH	455655!
17695	C-R	473448*	17754	C-R	45X62X8!	178070	CLIMX	473238!	17919	C-R	710260
17697	C-R	471984	17754	C-R	494122	17808	C-R	710248	1791963	CHRY5	40769S
17699	C-R	471984*	17754	C-R	710321*	1781	C-R	HU028A	17920	C-R	1012N
176G	OSHKO	473464!	17755	C-R	455536*	17810	C-R	452742	17920	C-R	224662
176G	OSHKO	473464	17756	C-R	455536*	17811	C-R	452742	17920	C-R	46X62X8!
1770	C-R	HU034A	17756LDS	JN-MN	473226	17811	C-R	452742V!	1792131	CHRY5	450639
17700	C-R	471984*	17757	C-R	1992	17815	C-R	7607	1792140	CHRY5	470506!
177000	JEFF	412871!	17757	C-R	45X65X8!	17817LUP	JN-MN	472150	179275VB	TRSCM	6781
17701LUP	JN-MN	471785!	17757LDS	JN-MN	472179	17818	C-R	45X72X7!	17929	BU-SP	416271!
17702	C-R	204501!	17758	C-R	224560*	1782	C-R	HU039A	17929	KOEH	416271!
17702	C-R	471984*	17758	C-R	320564*	17820	C-R	50266	1793	C-R	HU009A
17703	C-R	45X72X7	17758	C-R	45X65X8!	17821	C-R	50266*	1793	C-R	HU159A
17706	C-R	471984	17758	C-R	710345	178223TB	TRSCM	321460	17930	C-R	46X65X7!
17707	C-R	471984*	17759	C-R	1992	178253TA	TRSCM	452742	17936	EATON	415437!
177070	CLIMX	473238!	17759	C-R	45X65X8!	178263SB	TRSCM	50266	17936	EATON	415437
1771	C-R	HU042A	17760LUP	JN-MN	65X85X10	1782683SL	TRSCM	450269	1794110	CHRY5	473458!
17710	C-R	473313	17761	C-R	55687=	1782A2	WHITE	330385!	1794135	CHRY5	471272!
17710182	EL-PA	473010	17762	C-R	1992	1783	C-R	HU009A	1794149	CHRY5	470954!
17711	C-R	473313	17762	C-R	45X65X8!	17831	C-R	450269	1794206	CHRY5	415483!
17712	C-R	471984=	17762	C-R	45X65X8V!	17832	C-R	450269*	179424	ALLCH	417433
17714	C-R	710067	17764	C-R	45X65X8!	17833	SPICE	473228	1794312	CHRY5	416130!
17715	C-R	473313	17766	C-R	224560	17833	VIC	473228	179447R91	IH	416500
17716	C-R	473313!*	17766	C-R	45X68X7!	1783301	SIDEW	471504!	17949	C-R	472070

! Industrial Size/Type * Minor Width Difference

= The U.S. customer service number is 877-4-TIMKEN. The Canadian customer service numbers are 800-565-4927 (English) and 800-565-0438 (French-Canadian).

NUMERICAL INTERCHANGE

Mfr. No.	Name	Zero Duplication or Recommended Industrial	Mfr. No.	Name	Zero Duplication or Recommended Industrial	Mfr. No.	Name	Zero Duplication or Recommended Industrial	Mfr. No.	Name	Zero Duplication or Recommended Industrial
17950	C-R	46X68X8	18014	C-R	224663	181265	TRSCM	472070	18250	C-R	473450!*
1795192	CHRY	6808N	18020015C	HARWA	180X200X15	18127	C-R	7186S	182502	VHY TRSCM	340823
17952LUP	JN-MN	415349	18021	EATON	416500	18128	C-R	7186S	182503	SB TRSCM	473454
1795358	CHRY	417485	18022A	MASSE	474272	181287C1	CASE	473240	182512	JEFF	418029!
17953LDS	JN-MN	472213	1802382	FORD	7381S	181287C1	IH	473240!	182513	JEFF	417492
17955	C-R	710161	18024	C-R	4278	181288C1	IH	470565!	182514	JEFF	456105
1795508	CHRY	6808N	1803	C-R	HU149A	18130	C-R	473449	18253	SSB TRSCM	473454
17959LDS	JN-MN	416865!	18030	C-R	710409	181313	PTB TRSCM	7044NA	18253X	MASSE	471424!
17960	C-R	46X70X8!	18032	BU-SP	415991	18134	LDS JN-MN	416865!	182564	PTBJ TRSCM	2942
17960	C-R	710238	18036LUP	JN-MN	471141!	181361	US-EL	416380!	182564	PTBJ TRSCM	350936!
179603	HYST	417545	18038	BU-SP	472636!	181363	US-EL	473517!	182566	JEFF	415035
179618	ALLCH	415867	18039	C-R	451817*	181364	US-EL	415991!	182566	JEFF	415035!
179633	HYST	415962	1804009C91	IH	3894V	181364	US-EL	415991	182567	JEFF	417357
179643	ALLCH	415023	1804009C91+1806212C1	IH	5066	18137	UNIVE	471551!	182567	JEFF	455192!
179656	SPERY	415035=	1804010C91	IH	3893V	18139	C-R	473449	182568	JEFF	470682
17972LDS	JN-MN	417181!	1804010C91	IH	39608	18140	C-R	473449	182569	JEFF	410694!
179737	ALLCH	352541	18041	BU-SP	471192	18148	EATON	471821=	18258	C-R	5070
17975	C-R	46X72X8	1804414	GMC	410987!	18148D	IH	415066	182591	JEFF	412871!
1797558	CHRY	415988	18047	C-R	1992	18149	C-R	7600S	182614	HYST	471341!
17980	C-R	46X73X8	18047	C-R	203006!*	18151D	IH	417316!	1826167	CHRY	7013S
1799582	CHRY	411348!	18049	C-R	5133	18152F	OSHKO	417487!	182623	VB TRSCM	6985
17B528	UNIVE	340724!	18050	C-R	203006!*	18152F	OSHKO	417487	18263	SSB TRSCM	331227H
17DH4300	DURA	471554!	18053	C-R	203006!*	18154G	P-C	TCS45472	182637B	TRSCM	472439
17DH430A	DURA	471231!	18055	C-R	44053	18158	C-R	473449	18264	C-R	7044NA
17DH430AAS	DURA	473236!	180562	US-EL	415984!	181580	JEFF	473452	18265	EATON	417181=
17DH430B	DURA	471570!	18058	C-R	472070	18159	C-R	473449!*	18266	C-R	450090
17DH430BB	DURA	471267!	180586	FMC	471354!	1816046C1	IH	3894V	18267	C-R	450090
17DH430D	DURA	450039	180587	FMC	471649!	1816558C91	IH	39608	1826719	CHRY	7216
17DH430DD	DURA	472705!	180597	ALLCH	415027=	1816559C91	IH	39608	18268	C-R	481992
17DH430F	DURA	471649!	1805B-54	HU-WR	472924!	18167	C-R	480281!	1826C	GOODM	472636!
17DH430K	DURA	471765!	180612	ALLCH	415683	18167A	C-R	415449!	1826D	GOODM	472636!
17DH430L	DURA	473426	1806380C91	IH	416404!	18168	C-R	480281!	18270	C-R	450090*
17DH430M	DURA	471750!	18064G	P-C	TCS45472	181692	HYST	416921!	18271	C-R	450090*
17DH430O	DURA	471554!	180689	HYST	472924!	1817B1	REO	370023A	1827176C91	IH	600337
17DH430OS	DURA	471554!	180689	HYST	472924!*	18173	NEWPR	4741	1827177C1	IH	416404
17DH430T	DURA	473234	18070	C-R	472070	181737	HYST	471766!	18272	C-R	450090
17DH430Y	DURA	470712!	18071	C-R	472070	18175	FMC	204002	18273TA	TRSCM	472572
17DH430YS	DURA	470712!	1807783C1	IH	J1127	1817865C1	IH	917034	18273TB	TRSCM	472572!
17DH579	DURA	473197	1808	C-R	HU065A	1817867C92	IH	917034	18274SP	TRSCM	3604
17DH663	DURA	473231!	180847C1	IH	39958	1818772C1	IH	416404!	18274SSB	J TRSCM	473179
17G170	OSHKO	415023	1808751C91	IH	5066	18190	C-R	3604	18274TA	TRSCM	414045!
17G91	OSHKO	415023	18094G	P-C	TCS45472	181937	ALLCH	416865!	18275TBJ	TRSCM	9449
17GX91	OSHKO	415023	1809797	MCKIN	416865!	1819733C91	IH	39608	18276	C-R	6930*
17R528	MTR-C	340724!	1809964C92	IH	5624	18198	BU-SP	7208S	182778	HARN	415725!
17T12	ATHEY	415988	18099LUP	JN-MN	417433!	181W287	CONE	5531	18278	C-R	6930*
17T12	FRUEH	415988	180X200X15	SIMRT	180X200X15	182	C-R	5576	1827D	GOODM	412920!
17X27X7SC	TRSCM	17X27X7	180X210X15SC	TRSCM	180X210X15	182	CALI	417223	18283	SSB TRSCM	473238
17X27X7TC	TRSCM	17X27X7	180X210X15TC	TRSCM	180X210X15	18201	DIVCO	473215!	18283SP	TRSCM	9912
17X28X7SC	TRSCM	17X28X7	18100	C-R	472070	182067	ALLCH	472560N	18283TB	TRSCM	473238!
17X28X7TC	TRSCM	17X28X7	18100	MICH	472705!	182091	HYST	472258!	182843	KBY TRSCM	5699
17X30X7SC	TRSCM	17X30X7	18100D	IH	470530!	182110	C-R	6370N	18285SP	TRSCM	2689S
17X30X7TC	TRSCM	17X30X7	18103	C-R	472070	182112	C-R	323138!	18285TBJ	TRSCM	5126
17X32X7SC	TRSCM	17X32X7	18104	C-R	472070*	18217	C-R	203006!	1828719	CHRY	7216
17X32X7TC	TRSCM	17X32X7	1810879	MCKIN	472394	182200118	IG-RA	415995!	1828OS	JN-MN	417596
17X35X7SC	TRSCM	17X35X7	1810883	MCKIN	472016	182274VHY	TRSCM	7600S	18292VM	TRSCM	6064
17X35X7TC	TRSCM	17X35X7	181103	ALLCH	418028!	1822834C91	IH	5723	182992VB	TRSCM	203034!
17X37X7SC	TRSCM	17X37X7	1811035	WOOL	415036	1822836C1	IH	5723	182992VB	TRSCM	6547
17X37X7TC	TRSCM	17X37X7	18112	C-R	471866!	182293	JEFF	471341!	183-525-217	AUDI	223845
17X38X7SC	TRSCM	17X38X7	18112	MICH	471281!	182294	JEFF	417596	183-525-217	VW	223845
17X38X7TC	TRSCM	17X38X7	18112	UNIVE	471281!	18231	C-R	473450	183-525-217A	AUDI	223845
17X40X7SC	TRSCM	17X40X7	18114	C-R	471866* =	18231	US-EL	474255	183-525-217A	VW	223845
17X40X7TC	TRSCM	17X40X7	181153	JEFF	411376!	18232	C-R	473450	183003TB	TRSCM	473239!
17X47X7AN(35)	ISP	17X47X7	18116	C-R	471866!	1823404C1	NAVST	600012	18303TB	TRSCM	473457!
17X47X8SC	TRSCM	17X47X8	18117	C-R	471866=	182387	JEFF	471271!	18303VSB	TRSCM	473239
17X47X8TC	TRSCM	17X47X8	18121	C-R	471866!	1824075	CHRY	472354!	18306A	C-R	470530!
180	C-R	5095	1812329C92	IH	5723	18241	C-R	473450	1831	C-R	450593!
18000	C-R	710397	181234VB	TRSCM	444116	18242	C-R	473450!*	1831	CLARK	450593!
180008M1	MASSE	6336S	18124	BU-SP	417486	18242D	IH	416339	183105	SBP TRSCM	7216
1800106003	BUDD	416158	18125	MICH	450536	18242D	IH	455031!	18311	C-R	473419
180029	CHRY	5399	18125	MICH	471535!	18242VB	TRSCM	7934S	18311M1	C-R	473419
180030	CHRY	5531	18125	UNIVE	471535!	18245	JEFF	473237!	18312	C-R	473419
18009	C-R	4249	181254VHY	TRSCM	203006!	182473TB	TRSCM	472747	18312M1	C-R	473419

! Industrial Size/Type * Minor Width Difference

= The U.S. customer service number is 877-4-TIMKEN. The Canadian customer service numbers are 800-565-4927 (English) and 800-565-0438 (French-Canadian).

Mfr. No.	Name	Zero Duplication or Recommended Industrial	Mfr. No.	Name	Zero Duplication or Recommended Industrial	Mfr. No.	Name	Zero Duplication or Recommended Industrial	Mfr. No.	Name	Zero Duplication or Recommended Industrial
18313	C-R	450040	18427	C-R	40268=	18521013A	HARWA	185X210X13	185X210X13TC	TRSCM	185X210X13
18313SP	TRSCM	6808N	1843	C-R	.HU009A	185210H1	IH	473238=	186	C-R	5072
18314	C-R	476838!	1843	C-R	.HU159A	185215C1	IH	473228!	18600	C-R	472439
18314	FAIRB	476838!	18436	C-R	3606	18528LUP	JN-MN	200X230X15!	18601	C-R	472439
18314M1	C-R	476838!	18436A	C-R	472164!	18529LUP	JN-MN	130X160X12	18603	C-R	6985
18314PSP	TRSCM	9316	18438	C-R	473452	185312	JEFF	417196!	1860325M1	MASSE	470334!
18319SP	TRSCM	3195	18439	C-R	473452	18531A	C-R	450398	186063	BENDI	415027
1831M1	C-R	450593!	18440LUP	JN-MN	180X210X15	18531A	C-R	471267!	18609	C-R	6985
183214	CONCA	471413!	18443	C-R	710501	18532LUP	JN-MN	416670	1861	C-R	471733*
18324	C-R	450033	18444	C-R	473452*	18535	C-R	8362	18611	C-R	471868*
18325	C-R	474273	18444	C-R	714675	18536	C-R	8362	186110	C-R	473423*
18325	DIVCO	473462	18446	C-R	473452	18539A	MASSE	450398	186112	C-R	472354!
18326	C-R	473412	18446323	SPICE	415995!	18539A	MASSE	471267!	186112M1	C-R	472354!
18327	C-R	473415	18446326	SPICE	417181=	18539LDS	JN-MN	1979	18613	C-R	471868
18328	C-R	471137	18447	C-R	47X60X8	18542LUP	JN-MN	417362!*	18614	C-R	470712!
18328	FAIRB	471137	18450	C-R	47X62X8!	18543	C-R	7934S	18615	C-R	471736
18328	HUGKE	471137	18450	C-R	710320	185433R91	IH	450143	18615	ROCKW	473232!
18328M1	CR-CF	471137	18451	C-R	414045!*	18544	C-R	350936	18616	C-R	472475*
18329	C-R	450038	184517	GOODM	415138!	1854449	CHRY	472354!	18617	C-R	471868
18330	C-R	450039	18452	C-R	224820	1854449	GMC	472354!	18618	C-R	471737
18331	C-R	450040	18454	C-R	1937*	18545	C-R	472747*	18623	C-R	710388
18331	FAIRB	450040	18454	C-R	710191!	18546	C-R	350936	18624	C-R	470390*
18334TA	TRSCM	410524	18458	C-R	710191	18546	C-R	4528N	18625	C-R	471868
18336	SPICE	471141!	18458	FITZ	2955	18548	C-R	350936	18626	C-R	471868
18338115	SPICE	470625=	18459	FITZ	2955	18549	C-R	353120	18630	C-R	200752
18342702	EL-PA	473458!	18461	C-R	473453*	18550	C-R	5458	18633	C-R	7107A=
1834474C1	IH	351196V	184631	SPICE	473016!	1855001	BR-WN	55532=	18638	C-R	7107A=
18346312	SPICE	470625=	184636	SPICE	470682	18551	C-R	5458	18640	C-R	7107A=
1834632C1	IH	600451	184638	SPICE	471466!	18552	C-R	353120	186417	HYST	473239!
1834638	SPICE	417344	184639	SPICE	472635	18553	C-R	473454	186418	HYST	415138!
183507A	HARWA	18X35X7	18463LUP	JN-MN	473205!	18554	C-R	340823	18647	C-R	472572
18355	SPICE	410308!	18465	C-R	710215	18555	C-R	473454	1864750	GMC	476838!
18356392	EL-PA	471750!	18467	C-R	47X65X8*	18555	C-R	710220	18650	C-R	472572!
18359-1	SPICE	470625=	18470	C-R	1187	18556	C-R	472747	18651	C-R	472572!
18365	SIDEW	473446	18470	C-R	47X68X10!	18558	C-R	340823	18654	C-R	472572!
18375LUP	JN-MN	1979	1847386	GMC	474253	18558D	IH	473447	1865517	GMC	470059
18376LUP	JN-MN	65X100X10	18475	OLIVE	473228	18559	C-R	2942	1865517	GMC	470380!
183837	HOUGH	415227=	18480	C-R	47X70X10!	18560	C-R	473454	18656	C-R	472572!
183837H1	IH	415227=	18480	C-R	714675	1856001	BR-WN	417433!	18657	C-R	472572*
183847H1	HOUGH	415021	18485	C-R	224772	18561	C-R	350936	18657	C-R	472572!
18384D	IH	410987!	18487	MASSE	473471	18562	C-R	350936=	18658	C-R	472572!
18396LUP	JN-MN	416154!	18487A	MASSE	473471	18563	C-R	350936	18659	C-R	42421S
183CP1M1	C-R	450593!	18488	C-R	710150	18564LPD	JN-MN	417513	18659	SPICE	450039
183F1	C-R	450593!	18489	C-R	710143	18565	C-R	473454!	18660	C-R	472572!
183W1	C-R	450593!	18489A	MASSE	470950!	18566	C-R	472439	18661	C-R	472572!
183W12	C-R	473419	18489A	MASSE	6241S	18567	C-R	473454	18662	C-R	472572
183W14	C-R	476838!	1848OS	JN-MN	415124*	18567X	MASSE	471442!	18663	C-R	472572!
183W14	CR-CF	476838!	18490	C-R	332062	18570	C-R	472439	18667	C-R	5699
183W14-M1	C-R	476838!	18492	C-R	332062*	1857001	BR-WN	415447	18668	C-R	472572!
183W1M1	C-R	450593!	184926	HYST	415138!	1857002	BR-WN	471424!	18669	C-R	473179!
183W28	CR-CF	471137	184947	HYST	416556!	1857003	BR-WN	471413	1866Y	HYST	5M445
18402	SPICE	471787	184947	HYST	472157	1857005	BR-WN	471652	1866Y	IH	5M445
1840201	SIDEW	471821!	1849949	GMC	471442!	185705R91	IH	6638S	18670	C-R	473179!
184021	SPICE	471787	185	C-R	5073	18571	C-R	472439	18671	C-R	473179!
184023	SPICE	471787	185031	JEFF	455330!	18575	C-R	472439*	1867150	GMC	471554!
184025	SPICE	471787	185031	O-M	455330!	18580	C-R	472439	18672	C-R	473179
184072C91	CASE	471341	18505	C-R	224772	1858007	BR-WN	416364!	18673	C-R	473179
18408	C-R	291295	1850519M1	PERKI	712139	18581	C-R	472439	18674K	IH	473419
18408	EATON	416339=	185064M91	MASSE	7790H	18583	C-R	472439*	18675	C-R	473179
18408	SIDEW	472397!	185076	HYST	415041	18584	C-R	472439	186756X1	IH	416271!
1840847M1	MASSE	415234!	18510	C-R	8521S	18587	C-R	40071S	18676	C-R	473179!
1841007	BR-WN	471765!	1851001	BR-WN	411376!	185877	HYST	JV1166	186761	JEFF	470059
18412	C-R	471841	18513	C-R	224772	18591	C-R	40071S	186761	JEFF	470380!
18412LDS	JN-MN	415259!	18516	SPICE	473228	18592	C-R	331227H	186768R91	IH	40769S
18415	C-R	6960	1851747M1	MASSE	471272!	18595	C-R	472439	186769R91	IH	40769S
18419LDS	JN-MN	471831!	18518A	MASSE	472354!	18596	C-R	472439	18677	C-R	473179!
1842	C-R	HU013A	185198	HOUGH	415035=	18597	C-R	472439	18678	C-R	473179*
184232	JEFF	415991	185198	IH	415035=	18598	C-R	331227H	186780	CUMMI	39821
184232	JEFF	455146!	185198H1	HOUGH	415035	18599	C-R	472439	186786R91	IH	40769S
184242VAY	TRSCM	291295	185209	HOUGH	415035	185FF112	C-R	472354!	18679	C-R	473179!
18425	C-R	473451!	185209	IH	415035	185X210X13	SIMRT	185X210X13	18683	C-R	473179
18426LUP	JN-MN	470354*	185209H1	IH	415035	185X210X13SC	TRSCM	185X210X13	18688	C-R	473179!

! Industrial Size/Type * Minor Width Difference

= The U.S. customer service number is 877-4-TIMKEN. The Canadian customer service numbers are 800-565-4927 (English) and 800-565-0438 (French-Canadian).

NUMERICAL INTERCHANGE

Mfr. No.	Name	Zero Duplication or Recommended Industrial	Mfr. No.	Name	Zero Duplication or Recommended Industrial	Mfr. No.	Name	Zero Duplication or Recommended Industrial	Mfr. No.	Name	Zero Duplication or Recommended Industrial
18689	C-R	473179	18771	C-R	472572	18881	C-R	3195	18968	C-R	224835
18680S	JN-MN	416666	18772	C-R	6064	18882	C-R	473240!	18968	C-R	224840*
18690	C-R	473179	18778	C-R	5126	18883	C-R	7216	18968	C-R	48X68X10!*
186908	CUMMI	5010=	18778LUP	JN-MN	475384*	18885	C-R	473458!*	18969	C-R	224835
18691	C-R	473179	18780	C-R	203034	188856	HYST	415035	1896RC	SUL	416865!
18692	C-R	473179	18784	C-R	6064	18886	C-R	473458!*	18970	C-R	1994
18693	C-R	414045!	18785	C-R	450084!*	18887	C-R	6808N	18970	C-R	48X70X8
18694	C-R	414045!	187863	CUMMI	417621	18888	C-R	6808N	18970	C-R	48X70X9!
18695	C-R	1959	18796	C-R	450084!	18889	C-R	715100	18970	C-R	710313*
18695	C-R	414045!*	18797	C-R	450084!	18891	C-R	9316	18971	C-R	1994
18697	C-R	5699	187984H1	IH	471271!	18896	C-R	719316	18971	C-R	712010
18698	C-R	414045!	18798LUP	JN-MN	481443!	1889633	ALLCH	473436	18972	C-R	1208
18699	C-R	414045!	18799LUP	JN-MN	450516	1889633	GMC	473436	18972	C-R	48X72X7!
18690S	JN-MN	415066	187G112	C-R	472354!	18897	C-R	710356	18973	C-R	224872
187	C-R	5092	187H112	C-R	472354!	18898	OLIVE	416125!	18973	C-R	48X72X8V!
1870	C-R	HU034A	187H14	C-R	470712!	18898	WHITE	416125!	18974	C-R	224874
18708	C-R	5126	187HA112	C-R	472354!	18899	C-R	473458!	18975	C-R	48X75X10
18708	C-R	8515N*	187HM112	C-R	472354!	1889A3	DIA	472157	18976	C-R	224872
18708LPD	JN-MN	415077	187HM112-Q6	C-R	472354!	1889A3	WHITE	472157	18976	C-R	48X72X7!
18709	C-R	414045!	187HM112-TB	C-R	472354!	189	C-R	5072	18977	C-R	224850
18709LPD	JN-MN	415116	187HMS112	C-R	472354!	1890	C-R	HU009A	18979	C-R	224870
18700S	JN-MN	415991	187W14	C-R	470712!	18900	OLIVE	473234	18981	C-R	48X80X8
18700S	JN-MN	455146!	187W14M1	C-R	470712	189005	JEFF	472354!	18982	C-R	48X82X8
1871	C-R	471733	188007	JEFF	455462	18902	C-R	473458!*	18983	C-R	224979
1871	GOODM	471733	1880472	GMC	471466!	18911	C-R	451078!	18985	C-R	48X85X8
18710	C-R	2689S	18805	C-R	203034*	18912	C-R	7216	18986	C-R	48X80X8
18711	C-R	473445	18807	C-R	450084!	18914	C-R	7216	18990	C-R	9049
18711LPD	JN-MN	417596	18808	C-R	203034	18914LUP	JN-MN	412871!	18990	C-R	9049N
18712	C-R	471735	18809	C-R	450084!	18915	C-R	410524	18991	C-R	48X90X10
18714	C-R	470712!	1880BAGE	SABO	4564V	18916	C-R	410524*	18992	C-R	4333N
18714M1	C-R	470712	18810	C-R	450084!	18918	C-R	410524*	18994	C-R	714503
187189R91	IH	40769S	18810	KOEI	412861	1891820	FMC	471442!	18995	C-R	9449
18719	C-R	473238	18810LUP	JN-MN	225875*	189210	VICK	8059S	18997	C-R	344032
1872	SPG	224520	18810LUP	JN-MN	58X75X11!*	18922	C-R	451078!	18998	C-R	5208
1872	SPG	45X60X10!	1881115	GMC	411376!	18924	TMTR	472560N	189V539P1	GE	472016
18720LUP	JN-MN	472029	18813A	MASSE	473227	189242SB	TRSCM	8704S	18BX1	TRACS	417491
187212R91	IH	450143	18814	C-R	473239*	189254R91	IH	416130!	18BX1	WHITE	417491
18727	C-R	710337	18814	C-R	473239	18926	C-R	477609* =	18BX10	TRACS	417357
18728	C-R	471730	18814G	VIC	TCS45635	189311R1	IH	471689!	18BX10	TRACS	455192!
18720S	JN-MN	327303!	18815	C-R	473239*	18932D	IH	416738!	18BX10	WHITE	417357
18731	C-R	9912	18815	C-R	473239	18932D	IH	450096	18BX10	WHITE	455192!
18732	C-R	473238 =	18817	C-R	473239!	189381R91	IH	415060	18BX4	WHITE	417316!
18733	C-R	473238!	18818	C-R	473239	189381R91	IH	455060	18BX5	TRACS	415991
18734	C-R	473238!	188185	US-EL	472015!	18930S	JN-MN	415058	18BX5	TRACS	455146!
18735	C-R	473238	18821	C-R	473239!	18940S	JN-MN	417536	18BX5	WHITE	415991
18736	C-R	473238	18822	C-R	473239!	18950	C-R	6127	18BX5	WHITE	455146!
18737	C-R	473238 =	18823	C-R	473239!*	1895028	GMC	471765!	18BX7	TRACS	415219
18743	C-R	473238!	18824	C-R	473239!	18951	C-R	224865	18BX7	WHITE	415219
18744	C-R	473238!	18824G	VIC	TCS45635	18952	C-R	224840	18BX8	TRACS	415124
18747	C-R	473238	18825	C-R	473239!	18952	C-R	48X68X10!	18BX8	WHITE	415124
18747A	HEIL	470712!	188252VC	TRSCM	9049	18953	C-R	224840	18BX9	TRACS	417546!
18747A	HERCU	470712!	188252VC	TRSCM	9049N	18955	C-R	224820	18BX9	WHITE	417546!
18748	C-R	473238!	18827	C-R	473239	18955	C-R	48X62X8!	18F681D1	HARN	471442!
18750	C-R	473238!*	18828	C-R	473239	18956	C-R	48X62X8V	18F681D10	HARN	471529
18754	C-R	473238	188282R1	SELAS	5126	18957	C-R	48X62X8V	18F681D100	HARN	410825
18755	C-R	473238!	188319	CUMMI	954216T	18958	C-R	224820	18F681D102	HARN	411245!
18757	SPICE	472560N	18832	C-R	473239	18959	C-R	710167	18F681D103	HARN	417073
18757	VIC	472560N	18833	C-R	7044NA	18961	C-R	7105S	18F681D104	HARN	471271!
187571	SPICE	472560N	18841	OLIVE	473228	18962	C-R	224820	18F681D105	HARN	415449!
187572	SPICE	472560N	18843	C-R	6547	18962	C-R	48X62X8!	18F681D106	HARN	416273!
18759AB	CASE	455566	18844D	IH	412473!	18963	C-R	224810	18F681D107	HARN	413479
18762	C-R	473238	18850	C-R	473457!	18963	C-R	48X62X8!	18F681D108	HARN	415988
18763	C-R	5697	1885665	GMC	340771	18964	C-R	1956	18F681D109	HARN	417481
18765	C-R	5697	188631	US-EL	415327	18965	C-R	1973	18F681D11	HARN	471538!
18765A	C-R	470530!	1886436	GMC	471137	18965	C-R	48X65X10!	18F681D110	HARN	412871!
18768	C-R	6064	1886996	GMC	240698	18965	CLARK	370021A	18F681D111	HARN	417343!
18769	SIDEW	473214!	1886T	GERL	64X80X8	189652	CUMMI	5026\$	18F681D112	HARN	415007
18769D	IH	417487	1887083	GMC	474253	18966	C-R	1977	18F681D113	HARN	455434
18770	SIDEW	472179	18872	C-R	473457!*	18966	C-R	48X65X10V!	18F681D114	HARN	455151
187705	JEFF	415007	18874	C-R	473457!	18966	C-R	716484	18F681D115	HARN	455008
18770D	IH	470059	18876	C-R	710255	18967	C-R	224865	18F681D116	HARN	416664!
18770D	IH	470380!	18879	C-R	473240	18967	C-R	48X65X10!	18F681D117	HARN	417316!

! Industrial Size/Type *Minor Width Difference \$F-M Number Is Part Of A Kit
 = The U.S. customer service number is 877-4-TIMKEN. The Canadian customer service numbers are 800-565-4927 (English) and 800-565-0438 (French-Canadian).

OIL SEALS

18F681D118 – 18F681D379

Zero Duplication or Recommended Industrial		Zero Duplication or Recommended Industrial		Zero Duplication or Recommended Industrial		Zero Duplication or Recommended Industrial					
Mfr. No.	Name	Mfr. No.	Name	Mfr. No.	Name	Mfr. No.	Name				
18F681D118	HARN	415960!	18F681D180	HARN	415035!	18F681D240	HARN	417555!	18F681D309	HARN	415021
18F681D119	HARN	455005	18F681D180	HARN	415035	18F681D241	HARN	417556	18F681D31	HARN	471652
18F681D12	HARN	471579	18F681D181	HARN	417357	18F681D242	HARN	417362!	18F681D31	HARN	482208!
18F681D120	HARN	417485	18F681D181	HARN	455192!	18F681D243	HARN	416666	18F681D310	HARN	471192
18F681D121	HARN	475384	18F681D182	HARN	415036	18F681D244	HARN	416476!	18F681D311	HARN	415196!
18F681D122	HARN	417344!	18F681D183	HARN	55193=	18F681D245	HARN	455297	18F681D313	HARN	415991
18F681D123	HARN	416921!	18F681D184	HARN	455037	18F681D247	HARN	455330!	18F681D313	HARN	455146!
18F681D124	HARN	417134	18F681D186	HARN	415142	18F681D248	HARN	457874	18F681D314	HARN	417211!
18F681D125	HARN	416956	18F681D187	HARN	417512	18F681D249	HARN	55316=	18F681D315	HARN	473214
18F681D126	HARN	416654!	18F681D188	HARN	415043	18F681D250	HARN	471224!	18F681D316	HARN	415035
18F681D127	HARN	417486	18F681D189	HARN	455194	18F681D250	HARN	417562	18F681D316	HARN	415035!
18F681D128	HARN	415995!	18F681D19	HARN	471267!	18F681D251	HARN	55242	18F681D317	HARN	450084!
18F681D129	HARN	417351!	18F681D190	HARN	417513	18F681D252	HARN	417563	18F681D318	HARN	473243
18F681D130	HARN	417487	18F681D191	HARN	417514	18F681D253	HARN	415294!	18F681D319	HARN	473458!
18F681D131	HARN	55155=	18F681D192	HARN	472157	18F681D254	HARN	416229	18F681D32	HARN	471629!
18F681D132	HARN	455015	18F681D192	HARN	472157!	18F681D255	HARN	417298	18F681D320	HARN	472409!
18F681D135	HARN	417621!	18F681D193	HARN	416556!	18F681D256	HARN	415327	18F681D321	HARN	412861
18F681D136	HARN	416288!	18F681D193	HARN	472157	18F681D257	HARN	417596	18F681D322	HARN	411253!
18F681D137	HARN	417171!	18F681D194	HARN	416891!	18F681D258	HARN	455584	18F681D323	HARN	412473!
18F681D138	HARN	456105	18F681D195	HARN	415045!	18F681D259	HARN	416364!	18F681D324	HARN	470059
18F681D139	HARN	455336	18F681D196	HARN	455197N	18F681D26	HARN	471649!	18F681D324	HARN	470380!
18F681D14	HARN	471554!	18F681D197	HARN	417520	18F681D260	HARN	416239!	18F681D325	HARN	410987!
18F681D140	HARN	455022	18F681D198	HARN	416144	18F681D261	HARN	416077	18F681D326	HARN	413469!
18F681D141	HARN	476470	18F681D199	HARN	415196!	18F681D262	HARN	415116	18F681D327	HARN	471795
18F681D142	HARN	417181!	18F681D20	HARN	471570!	18F681D263	HARN	455117	18F681D328	HARN	471820
18F681D143	HARN	415023	18F681D200	HARN	415047	18F681D264	HARN	415317	18F681D329	HARN	415458!
18F681D144	HARN	416292	18F681D201	HARN	416149	18F681D265	HARN	415867	18F681D33	HARN	471763
18F681D145	HARN	415085!	18F681D202	HARN	55199=	18F681D266	HARN	415551	18F681D330	HARN	472409!
18F681D145	HARN	456648	18F681D203	HARN	417525	18F681D267	HARN	417598	18F681D332	HARN	455129
18F681D146	HARN	455024	18F681D204	HARN	417526	18F681D268	HARN	455406!	18F681D334	HARN	417509
18F681D147	HARN	415442!	18F681D205	HARN	327303!	18F681D27	HARN	471689!	18F681D335	HARN	417223
18F681D147	HARN	55442	18F681D206	HARN	416888!	18F681D270	HARN	455397	18F681D336	HARN	412943
18F681D148	HARN	417191	18F681D207	HARN	416153!	18F681D271	HARN	455121	18F681D337	HARN	55358=
18F681D148	HARN	456585	18F681D208	HARN	416892!	18F681D272	HARN	417600	18F681D338	HARN	471103!
18F681D149	HARN	415025	18F681D209	HARN	415733	18F681D273	HARN	417601	18F681D339	HARN	416282
18F681D15	HARN	471567!	18F681D21	HARN	471646!	18F681D274	HARN	455123	18F681D34	HARN	470328
18F681D151	HARN	417492	18F681D210	HARN	417534	18F681D276	HARN	415124	18F681D34	HARN	481213!
18F681D152	HARN	455026	18F681D211	HARN	457585	18F681D277	HARN	417022	18F681D340	HARN	410102
18F681D154	HARN	415991	18F681D212	HARN	415371	18F681D278	HARN	417603!	18F681D341	HARN	471785!
18F681D154	HARN	455146!	18F681D213	HARN	416158	18F681D28	HARN	480210!	18F681D343	HARN	417356!
18F681D155	HARN	417196!	18F681D214	HARN	415064	18F681D280	HARN	417567	18F681D343	HARN	455188
18F681D156	HARN	415437	18F681D215	HARN	415284	18F681D281	HARN	415128	18F681D344	HARN	50478
18F681D157	HARN	415027!	18F681D216	HARN	417535	18F681D282	HARN	455129	18F681D345	HARN	470354
18F681D157	HARN	415027	18F681D217	HARN	417536	18F681D283	HARN	455462	18F681D346	HARN	470605!
18F681D157	HARN	415027	18F681D218	HARN	415138!	18F681D284	HARN	415090	18F681D347	HARN	417511
18F681D158	HARN	415498	18F681D219	HARN	417247!	18F681D285	HARN	415219	18F681D348	HARN	413246
18F681D159	HARN	417497	18F681D22	HARN	471571	18F681D286	HARN	417606	18F681D349	HARN	415077
18F681D16	HARN	471231!	18F681D220	HARN	415066	18F681D287	HARN	55078S	18F681D35	HARN	473426
18F681D160	HARN	55028	18F681D221	HARN	416163	18F681D288	HARN	55223=	18F681D350	HARN	455144
18F681D161	HARN	416332!	18F681D222	HARN	456890	18F681D289	HARN	417605	18F681D351	HARN	417349
18F681D162	HARN	415937!	18F681D223	HARN	455614	18F681D29	HARN	471651	18F681D352	HARN	493291
18F681D163	HARN	416125!	18F681D224	HARN	416167!	18F681D290	HARN	417020	18F681D353	HARN	43086S
18F681D165	HARN	417501	18F681D225	HARN	417267	18F681D291	HARN	417570	18F681D355	HARN	415259!
18F681D166	HARN	55030	18F681D226	HARN	417269!	18F681D292	HARN	415227!	18F681D356	HARN	470682
18F681D167	HARN	415379	18F681D227	HARN	417539!	18F681D293	HARN	55228=	18F681D357	HARN	416404!
18F681D167	HARN	415379!	18F681D228	HARN	417273	18F681D294	HARN	415482	18F681D358	HARN	417172
18F681D168	HARN	416339	18F681D229	HARN	417540	18F681D295	HARN	415077	18F681D359	HARN	417158!
18F681D168	HARN	455031!	18F681D23	HARN	471647	18F681D297	HARN	473232	18F681D36	HARN	474255
18F681D169	HARN	415150!	18F681D230	HARN	416865!	18F681D298	HARN	415085!	18F681D360	HARN	418028
18F681D17	HARN	474253	18F681D231	HARN	417541	18F681D298	HARN	456648	18F681D360	HARN	455137!
18F681D170	HARN	455178=	18F681D232	HARN	417546!	18F681D299	HARN	415072	18F681D361	HARN	55353
18F681D171	HARN	455032!	18F681D233	HARN	417547	18F681D3	HARN	471472!	18F681D362	HARN	40071S
18F681D172	HARN	455189	18F681D234	HARN	417262!	18F681D30	HARN	471705!	18F681D363	HARN	40097S
18F681D173	HARN	417210!	18F681D235	HARN	415645!	18F681D300	HARN	472636!	18F681D364	HARN	417211!
18F681D174	HARN	416345!	18F681D235	HARN	455104	18F681D301	HARN	415711	18F681D365	HARN	6547
18F681D174	HARN	455033	18F681D236	HARN	417551	18F681D302	HARN	471750!	18F681D367	HARN	46997S
18F681D175	HARN	417366!	18F681D237	HARN	415938	18F681D303	HARN	415001!	18F681D37	HARN	471413
18F681D176	HARN	415034!	18F681D238	HARN	417254	18F681D304	HARN	450104	18F681D372	HARN	417350!
18F681D177	HARN	455191	18F681D239	HARN	416107!	18F681D305	HARN	416865!	18F681D374	HARN	450808
18F681D178	HARN	417506	18F681D239	HARN	455073	18F681D306	HARN	417491	18F681D375	HARN	473462
18F681D179	HARN	415187	18F681D24	HARN	472951	18F681D307	HARN	417490	18F681D377	HARN	40169S
18F681D18	HARN	471645	18F681D24	HARN	474252	18F681D308	HARN	415023	18F681D379	HARN	470898

! Industrial Size/Type

= The U.S. customer service number is 877-4-TIMKEN. The Canadian customer service numbers are 800-565-4927 (English) and 800-565-0438 (French-Canadian).

NUMERICAL INTERCHANGE

Zero Duplication or Recommended Industrial		Zero Duplication or Recommended Industrial		Zero Duplication or Recommended Industrial		Zero Duplication or Recommended Industrial		
Mfr. No.	Name	Mfr. No.	Name	Mfr. No.	Name	Mfr. No.	Name	
18F682D298	HARN	473238	18F682D386	HARN	473214	18F682D70	HARN	473457!
18F682D299	HARN	417604	18F682D387	HARN	471820	18F682D72	HARN	473457!
18F682D3	HARN	471472!	18F682D388	HARN	470682	18F682D73	HARN	472144!
18F682D30	HARN	471705!	18F682D389	HARN	450084!	18F682D74	HARN	473460
18F682D301	HARN	450362	18F682D390	HARN	473458!	18F682D75	HARN	471391!
18F682D302	HARN	471688	18F682D391	HARN	473462	18F682D76	HARN	472924!
18F682D303	HARN	471413	18F682D392	HARN	410102	18F682D77	HARN	470530!
18F682D305	HARN	470625!	18F682D393	HARN	472409!	18F682D78	HARN	472397!
18F682D306	HARN	416706!	18F682D394	HARN	473243	18F682D79	HARN	473463
18F682D307	HARN	415085!	18F682D395	HARN	413469!	18F682D80	HARN	451948
18F682D307	HARN	456648	18F682D396	HARN	470354	18F682D81	HARN	472012
18F682D308	HARN	418028	18F682D397	HARN	412943	18F682D82	HARN	450311
18F682D308	HARN	455137!	18F682D398	HARN	411253!	18F682D83	HARN	470898!
18F682D309	HARN	417492	18F682D399	HARN	415259!	18F682D84	HARN	472015!
18F682D31	HARN	471652	18F682D4	HARN	471281!	18F682D85	HARN	472016
18F682D310	HARN	415351!	18F682D40	HARN	450165	18F682D86	HARN	472234
18F682D311	HARN	415196!	18F682D40	HARN	471801!	18F682D87	HARN	473245!
18F682D313	HARN	455476	18F682D400	HARN	410987!	18F682D88	HARN	413472
18F682D314	HARN	417354!	18F682D401	HARN	412861	18F682D89	HARN	471341!
18F682D315	HARN	417357	18F682D402	HARN	415001!	18F682D9	HARN	471255!
18F682D315	HARN	455192!	18F682D403	HARN	415458!	18F682D90	HARN	411376!
18F682D316	HARN	415142	18F682D404	HARN	455144	18F682D92	HARN	411394!
18F682D317	HARN	457874	18F682D405	HARN	417349!	18F682D93	HARN	410694!
18F682D32	HARN	471692!	18F682D406	HARN	417350!	18F682D94	HARN	416444
18F682D321	HARN	417158!	18F682D407	HARN	415021	18F682D95	HARN	412119!
18F682D322	HARN	417171!	18F682D408	HARN	417491	18F682D96	HARN	416271!
18F682D323	FUNK	415379!	18F682D409	HARN	418029!	18F682D97	HARN	410825
18F682D323	FUNK	415379	18F682D410	HARN	416624!	18F682D98	HARN	411500
18F682D323	HARN	415379	18F682D411	HARN	455178=	18F682D99	HARN	411245!
18F682D323	HARN	415379!	18F682D412	HARN	417356!	18F689D1	HARN	417488!
18F682D325	HARN	413246	18F682D413	HARN	417509	18F689D10	HARN	415960
18F682D326	HARN	55353	18F682D414	HARN	417223	18F689D11	HARN	471224
18F682D327	HARN	415871	18F682D415	HARN	455129	18F689D4	HARN	415001!
18F682D328	HARN	415991	18F682D416	HARN	415090	18F689D6	HARN	5759=
18F682D328	HARN	455146!	18F682D419	HARN	416292	18F689D7	HARN	416865!
18F682D329	HARN	412473!	18F682D42	HARN	473211!	18F689D8	HARN	415371
18F682D33	HARN	471763	18F682D422	HARN	455614	18F728	HARN	417603!
18F682D330	HARN	417511	18F682D43	HARN	473213!	18G20	OSHO	415023
18F682D332	HARN	417362!	18F682D434	HARN	474281!	18T12	ATHEY	415960!
18F682D333	HARN	413247!	18F682D435	HARN	470898	18UV-0653	WHITE	473215!
18F682D334	HARN	417172	18F682D436	HARN	410190	18UVA0653	WHITE	450593!
18F682D335	HARN	417603!	18F682D437	HARN	472164!	18X28X6SC	TRSCM	18X28X6
18F682D336	HARN	473232	18F682D44	HARN	472287!	18X28X6TC	TRSCM	18X28X6
18F682D337	HARN	416154!	18F682D45	HARN	473215!	18X30X7SC	TRSCM	18X30X7!
18F682D338	HARN	455480!	18F682D46	HARN	471835!	18X30X7TC	TRSCM	18X30X7!
18F682D339	HARN	240356	18F682D47	HARN	473016!	18X32X7AN(35)	ISP	18X32X7
18F682D34	HARN	473426	18F682D48	HARN	473225!	18X32X8SC	TRSCM	18X32X8
18F682D340	HARN	240735	18F682D49	HARN	473437	18X32X8TC	TRSCM	18X32X8
18F682D341	HARN	240733	18F682D5	HARN	471535!	18X35X7	FORSH	18X35X7
18F682D343	HARN	417608	18F682D50	HARN	473227	18X35X7	SIMRT	18X35X7
18F682D345	HARN	340210	18F682D51	HARN	473228	18X35X7SC	TRSCM	18X35X7
18F682D346	HARN	340724!	18F682D52	HARN	474281!	18X35X7TC	TRSCM	18X35X7
18F682D347	HARN	254270	18F682D53	HARN	472213	18X37X8SC	TRSCM	18X37X8
18F682D349	HARN	455194	18F682D54	HARN	473229	18X37X8TC	TRSCM	18X37X8
18F682D35	HARN	474255	18F682D55	HARN	473441	18X38X7SC	TRSCM	18X38X7
18F682D356	HARN	415196!	18F682D56	HARN	473367!	18X38X7TC	TRSCM	18X38X7
18F682D36	HARN	471766!	18F682D56	HARN	473367	18X40X7SC	TRSCM	18X40X7
18F682D363	HARN	470380!	18F682D57	HARN	473010	18X40X7TC	TRSCM	18X40X7
18F682D364	HARN	472179	18F682D58	HARN	474274	18Z1202	HARN	40555
18F682D37	HARN	450165	18F682D59	HARN	473234	18Z1202	HARN	40555S!
18F682D37	HARN	471801!	18F682D6	HARN	471551!	18Z1583D1	HARN	471652
18F682D375	HARN	417488!	18F682D60	HARN	473235!	18Z1583D2	HARN	471766!
18F682D376	HARN	417210!	18F682D61	HARN	473236!	18Z1583D3	HARN	471795
18F682D378	HARN	472354!	18F682D62	HARN	472185!	18Z1583D5	HARN	473228!
18F682D379	HARN	450808	18F682D63	HARN	472179	18Z1598D4	HARN	40097S
18F682D38	HARN	470050	18F682D64	HARN	471141!	18Z1600D1	HARN	340210
18F682D381	HARN	471785!	18F682D65	HARN	472070	18Z1600D2	HARN	340724!
18F682D382	HARN	471750!	18F682D66	HARN	473449	18Z1601D1	HARN	240356
18F682D383	HARN	471795	18F682D67	HARN	473450	18Z1754D2	HARN	493291
18F682D384	HARN	450129	18F682D68	HARN	472439	18Z2112D2	HARN	200856
18F682D384	HARN	472826!	18F682D69	HARN	473238	18Z2250	FUNK	471984
18F682D385	HARN	471192	18F682D7	HARN	471466!	18Z23	HARN	415351!
18Z2555D36	HARN	410102				18Z2783	HARN	J1120=
18Z2140	HARN	417022				18Z410	HARN	417022
18Z71501	HARN	417546!				18Z715012	HARN	415124
18Z715013	HARN	415960!				18Z715013	HARN	415960!
18Z715015	HARN	417211!				18Z715015	HARN	417211!
18Z715015	FUNK	417365				18Z715015	FUNK	417365
18Z71506	HARN	415995!				18Z71507	HARN	410930=
18Z71508	HARN	416892!				18Z71508	HARN	416892!
18Z71509	HARN	416107!				18Z728	HARN	417603!
18Z778	HARN	415725!				18Z778	HARN	415725!
1900-044-009	WARNR	710403				1900-044-009A	FORD	710403
1900-044-009A	WARNR	710403				1900-044-009A	WARNR	710403
1900-044-012	WARNR	4333N				1900-044-012	WARNR	4333N
1900-044-013	WARNR	4503N				19000	SPG	712106
19000	SPG	712106				190001	SPG	712111
19003	ONAN	473231!				19003	ONAN	473231!
19004	C-R	9913				19004	C-R	9913
1900420	GMC	471558				1900862	GMC	50010
1900862	GMC	50010				19009	C-R	470625!
19010	C-R	5573\$				19010	C-R	5573\$
19011	C-R	5573\$				19011	C-R	5573\$
190119	BR-ST	240356				190119	BR-ST	240356
19012	C-R	5573				19012	C-R	5573
190127	BR-ST	471224				190127	BR-ST	471224
19013	C-R	6815				19013	C-R	6815
19014	SUPER	416271!				19014	SUPER	416271!
19020	C-R	473238				19020	C-R	473238
190206	BR-ST	472492!				190206	BR-ST	472492!
19021	AT-PL	200763				19021	AT-PL	200763
19024172	EL-PA	417316!				19024172	EL-PA	417316!
190302	BR-ST	471532				190302	BR-ST	471532
19032	C-R	473239				19032	C-R	473239
190324	BR-ST	50405				190324	BR-ST	50405
19037	BR-ST	471651				19037	BR-ST	471651
190371	BR-ST	471651				190371	BR-ST	471651
190397	CUMMI	J1396				190397	CUMMI	J1396
190398	CUMMI	J1397*				190398	CUMMI	J1397*
190434	JEFF	450284=				190434	JEFF	450284=
190458M1	MASSE	416444				190458M1	MASSE	416444
19046	BR-ST	474278!				19046	BR-ST	474278!
19046	OLIVE	417316!				19046	OLIVE	417316!
190466M1	MASSE	8338=				190466M1	MASSE	8338=
190469	BR-ST	470954				190469	BR-ST	470954
1905523	FMC	240027=				1905523	FMC	240027=
190596R91	IH	470954				190596R91	IH	470954
19060	C-R	472572				19060	C-R	472572
1906118	FMC	471554!				1906118	FMC	471554!
19062	AIRCO	416332!				19062	AIRCO	416332!
19062LDS	JN-MN	472164!				19062LDS	JN-MN	472164!
1906526	GMC	450129				1906526	GMC	450129
1906526	GMC	472826!				1906526	GMC	472826!
19067A	HERCU	5MR71				19067A	HERCU	5MR71
1907D5	WHITE	410825				1907D5	WHITE	410825
19084LDS	JN-MN	3395!				19084LDS	JN-MN	3395!
19084LDS	JN-MN	352444				19084LDS	JN-MN	352444
190850	JEFF	473234				190850	JEFF	473234
1908656	GMC	473438				1908656	GMC	473438
19090	C-R	4904				19090	C-R	4904
19092	C-R	224840				19092	C-R	224840
19094	C-R	710161!				19094	C-R	710161!
1909498	GMC	472560N!				1909498	GMC	472560N!
19095	C-R	1960				19095	C-R	1960
19095	C-R	710305				19095	C-R	710305
19097	C-R	4904				19097	C-R	4904

! Industrial Size/Type * Minor Width Difference \$F-M Number Is Part Of A Kit
 = The U.S. customer service number is 877-4-TIMKEN. The Canadian customer service numbers are 800-565-4927 (English) and 800-565-0438 (French-Canadian).

NUMERICAL INTERCHANGE

Mfr. No.	Name	Zero Duplication or Recommended Industrial	Mfr. No.	Name	Zero Duplication or Recommended Industrial	Mfr. No.	Name	Zero Duplication or Recommended Industrial	Mfr. No.	Name	Zero Duplication or Recommended Industrial
1909851	GMC	471466!	19237	C-R	473459!	193089	HYST	417362!	194028	AU-WS	450096
19099	OLIVE	473232	19238	C-R	5759=	19309	C-R	472144!*	194030	AU-WS	472409!
1909957	GMC	450065	19239	C-R	473459	19311	C-R	472144!*	194032	AU-WS	473245!
190X220X16SC	TRSCM	190X220X16	1923936	CHRY5	470898	1931105	CHRY5	9773	194034	AU-WS	472636!
190X220X16TC	TRSCM	190X220X16	1923937	CHRY5	471341!	19313	C-R	9150S	194036	AU-WS	412920!
190X230X13	SIMRT	190X230X13	19240	C-R	473459*	19314	C-R	3896	194038	AU-WS	416288!
190X230X16SC	TRSCM	190X230X16	19241	C-R	473459	19315TB	TRSCM	471391!	194040	AU-WS	415034!
190X230X16TC	TRSCM	190X230X16	19242	C-R	473459	19318	C-R	470530!	194042	AU-WS	416891!
191	C-R	5591	19243	C-R	473459*	193183SL	TRSCM	473462	194044	AU-WS	416137
19100	C-R	710148	19244	C-R	3173	193201	BENDI	240414	194046	AU-WS	473214!
19102	EATON	713750	19245	C-R	473459	1932011018	WABCO	240009	19405	C-R	473462*
1910379	GMC	6324S=	19246	C-R	473459	1932011218	WABCO	343185	19405	C-R	473462
19109	FULLE	713750	19247	C-R	473459	1932011623	WABCO	240414	194050	AU-WS	470950!
19112	MICH	471532	19248	C-R	473459	193201218	WABCO	343185	194050	AU-WS	6241S
1912235	GMC	474278!	19249	C-R	473459	193207A	HARWA	19X32X8	194052	AU-WS	473228
19125	MICH	473405	192527C1	IH	472179	193210	HYST	417362!	194054	AU-WS	473229
19125	UNIVE	473405	192528C1	IH	471984	19322	C-R	473460	194056	AU-WS	473232
19127LDS	JN-MN	416147	19253TB	TRSCM	471195!	19324	C-R	710394	194058	AU-WS	473235!
19137	MICH	471558	19255	C-R	710928	19326	C-R	473460	19406	C-R	473462
19137	UNIVE	471558*	192572KMJ	TRSCM	9150S	19330	C-R	473460	19406	C-R	473462*
191383	US-EL	330385	1925822	CHRY5	456618	193303H1	HOUGH	416107!	194060	AU-WS	472185!
19138LUP	JN-MN	455584*	1925823	CHRY5	6532S=	193303H1	HOUGH	455073	194062	AU-WS	474265
19146LDS	JN-MN	416268	19259	C-R	450655=	19333	C-R	710081	194064	AU-WS	470334!
19160	WHITE	414045!	19259C	IH	473215!	19333	TMTR	470954	194066	AU-WS	473450
1917999	GMC	480210!	19259D	IH	473215!	19334	LEECE	470712!	194068	AU-WS	472144!
1918047	GMC	471231!	19262	C-R	473241	1933772	CHRY5	240735	19407	C-R	473462!
191833	JEFF	417601	19263TB	TRSCM	473814	1933789	CHRY5	415991!	194070	AU-WS	473448
191876	WAUKE	471413!	19264	C-R	473241	1933789	CHRY5	415991	194072	AU-WS	473460
19188	DIVCO	5M293	19265SP	TRSCM	5121	1934676	CHRY5	40494S	194074	AU-WS	472394
191887	KRSE	412920!	19267	C-R	473241	1934786	CHRY5	474276!	194076	AU-WS	473313
19190	DIVCO	470530!	192683SSB	TRSCM	473459	19349	C-R	473460	194078	AU-WS	470088
19195	EATON	410987!	192683TB	TRSCM	473459!	19350	C-R	473460*	194080	AU-WS	473462
192	C-R	2261	192683VTB	TRSCM	473459	1935033	CHRY5	476574N	194082	AU-WS	412119!
19200	C-R	1936	19269	C-R	450279	19353	C-R	472394	194084	AU-WS	411245!
19207A	C-R	415960	1926D	GOODM	413246	19359	C-R	472394	194086	AU-WS	415449!
19210	C-R	474269!	19271	C-R	2043	19360	C-R	472394	194088	AU-WS	415001!
19210	KINGN	471766!	1927131	GM	427	19364	C-R	472394*	194090	AU-WS	415458!
19211	C-R	710058	1927131	GM	427RR	19376	C-R	472394*	194092	AU-WS	417316!
19212	C-R	474269	1927290	TAYLR	J1109	193794	BENDI	470954!	194094	AU-WS	416921!
19214	C-R	6815	1927291	TAYLR	J1135=	193796	HYST	415988	194096	AU-WS	417492
19215	C-R	470409	1927293	TAYLR	J1136	19380	C-R	473461!*	194098	AU-WS	415991
19215	C-R	50409	1927295	CHRY5	417316!	1938104	GMC	471526!	194098	AU-WS	455146!
19217	C-R	471195!	19273	C-R	2043	19382	ONAN	471224!	194100	AU-WS	416332!
19218	C-R	6815	19274	C-R	451117N=	1938206	CHRY5	7896S	194102	AU-WS	415379
19218A	C-R	470898	1927475	TAYLR	345035	19383	C-R	472394	194102	AU-WS	415379!
19219	C-R	6815	1927550	TAYLR	472492!	19386	C-R	473461!	194104	AU-WS	416339
1921B	GOODM	413247!	1927575	TAYLR	417316!	19387	C-R	473241	194104	AU-WS	455031!
19220	C-R	471195!	1927590	TAYLR	417269!	19389	C-R	473461!	194106	AU-WS	415150!
19221	C-R	6815	192765TB	TRSCM	2043	19392	C-R	471391!	194108	AU-WS	416888!
19223	C-R	9150S	19277	C-R	8622	19393	C-R	471391!	194110	AU-WS	416892!
192238	HYST	200861	1927C	GOODM	413247!	19396	C-R	471391!	194112	AU-WS	417538
192239	HYST	JV933	1927D	GOODM	413247!	1939798	GMC	450065	194114	AU-WS	417269!
19224	C-R	472319	19281	DIVCO	473203	19399	C-R	471391!	194116	AU-WS	473227
192249	HYST	200854	192815TCJ	TRSCM	8622	194	C-R	5337	194118	AU-WS	455566
19225	C-R	472319	19283SB	TRSCM	472144	19400	C-R	471391	194118	B-L-H	455566
192250	HYST	JV1215=	19284	OLIVE	473215!	194002	AU-WS	471224!	194120	AU-WS	6936S
19226	C-R	472319	19285	C-R	472144!	194004	AU-WS	450593!	194124	AU-WS	417488!
19227	C-R	472319=	19286	C-R	472144!	194006	AU-WS	471733	194126	AU-WS	415036
1922774	CHRY5	410825	19288	C-R	472144!	194008	AU-WS	472924!	194126	B-L-H	415036
19229	C-R	472319	1928B	GOODM	416271!	194008	B-L-H	472924!	194126	CLARK	415036
1922A3	DIA	412119=	1928D	GOODM	472636!	194010	AU-WS	470530!	194128	AU-WS	417537
1922A3	WHITE	412119=	19291	C-R	472144!	194010A	HARWA	19X40X10	194128	B-L-H	417537
19230	C-R	472319	19295	C-R	472144!*	194012	AU-WS	473463	194130	AU-WS	417551
19231	C-R	473459	19296	C-R	472144!*	194014	AU-WS	415995!	194134	AU-WS	473467!
19232	C-R	473459	19297	C-R	472144!*	194016	AU-WS	471553!	194136	AU-WS	416294!
19234	C-R	3173	192J	OSHKO	470950!	194018	AU-WS	471554!	194138	AU-WS	472070
19234	EATON	415458!	192J	OSHKO	6241S	19402	C-R	40526S	194140	AU-WS	470898!
19235	EATON	473464!	1930	TMTR	473212!	194020	AU-WS	476838!	194140	B-L-H	470898!
19235	EATON	473464	19300	C-R	472144!	194022	AU-WS	471750!	194142	AU-WS	418029!
19236	C-R	3173	19301	C-R	472144!	194024	AU-WS	471354!	194142	B-L-H	418029!
19236	C-R	473459!	19303TB	TRSCM	472394	194026	AU-WS	451948	194144	AU-WS	417621!
19237	C-R	3173	19305	C-R	5531	194028	AU-WS	416738!	194146	AU-WS	415379

! Industrial Size/Type *Minor Width Difference

=The U.S. customer service number is 877-4-TIMKEN. The Canadian customer service numbers are 800-565-4927 (English) and 800-565-0438 (French-Canadian).

Mfr. No.	Name	Zero Duplication or Recommended Industrial	Mfr. No.	Name	Zero Duplication or Recommended Industrial	Mfr. No.	Name	Zero Duplication or Recommended Industrial	Mfr. No.	Name	Zero Duplication or Recommended Industrial
194146	AU-WS	415379!	194260	AU-WS	417474	194390	AU-WS	470625!	195321M1	MASSE	240735
194148	AU-WS	473016!	194262	AU-WS	471504!	194392	AU-WS	416476!	19534	EATON	473238
194150	AU-WS	473215!	194262	B-L-H	471504!	194393H1	IH	416888	19535	EATON	410737!
194152	AU-WS	470059	194262D	GARLK	5121	1944	NATL	494117	19536	EATON	411253!
194152	AU-WS	470380!	194264	AU-WS	416664!	194402	AU-WS	417563	195367M1	MASSE	46997S
194156	AU-WS	482253	194266	AU-WS	415060	194408	AU-WS	476470	19537	EATON	416654!
194158	AU-WS	473234	194266	AU-WS	455060	194411	AU-WS	417621!	1954	NATL	224820
194160	AU-WS	470334!	194268	AU-WS	416153!	194412	AU-WS	415442!	195452M1	MASSE	472354!
194160	AU-WS	50289	194270	AU-WS	415938	194413	AU-WS	415074	195458M1	MASSE	50528
194162	AU-WS	410694!	194270	B-L-H	415938	194414	AU-WS	415146!	195459M1	MASSE	473010
194164	AU-WS	450104	194270	CLARK	415938	194414	AU-WS	415991	195474M1	MASSE	472492!
194166	AU-WS	416444	194271M1	MASSE	6668S	194415	AU-WS	415138!	195501M1	MASSE	472560N!
194170	AU-WS	412473!	194272	AU-WS	415072	194416	AU-WS	415035!	195501M1	PERKI	712140
194170	B-L-H	412473!	194274	AU-WS	471689!	194417	AU-WS	471271!	195506M1	MASSE	470334!
194172	AU-WS	417210!	194276	AU-WS	415294!	194418	AU-WS	470625!	195523M1	MASSE	450604
194174	AU-WS	417205!	194278	AU-WS	473225!	194419	AU-WS	472311!	195536	CLARK	470954!
194176	AU-WS	416107!	19428	C-R	710281	194420	AU-WS	415437	195555M1	MASSE	472924!
194176	AU-WS	455073	194280	AU-WS	417254	194421	AU-WS	415027	195557M1	MASSE	410987=
194178	AU-WS	415138!	194282	AU-WS	473238	194422	AU-WS	472185!	195557M1	TRU-P	410987=
194180	AU-WS	40337S	194282UB	TRSCM	200371	194423	AU-WS	471466!	195677M1	MASSE	415984!
194182	AU-WS	450033	194284	AU-WS	415483!	194423H1	HOUGH	416404!	195678M1	MASSE	470898
194184	AU-WS	470712!	194286	AU-WS	417172	194425	AU-WS	415899N	195678M2	MASSE	470898
194186	AU-WS	411376!	194288	AU-WS	471270!	194425	AU-WS	416624	195757M1	MASSE	473461!
194188	AU-WS	471271!	194290	AU-WS	456105	194426	AU-WS	415085!	195758M1	MASSE	473236!
19419	C-R	40094S	194292	AU-WS	42352S	194427	AU-WS	240733	195759M1	MASSE	473214
194190	AU-WS	417171!	194292H1	IH	415995!	194428	AU-WS	240735	195760M1	MASSE	472258
194192	AU-WS	417181!	194294	AU-WS	415035	194429	AU-WS	417316!	195761M1	MASSE	473423
194194	AU-WS	40067S=	194294	AU-WS	415035!	194430	AU-WS	471138!	195763M1	MASSE	471829
194196	AU-WS	45187S	194296	AU-WS	417351!	194431	AU-WS	417343!	19577A	C-R	470059
1941963	EL-WH	350364	194298	AU-WS	417546!	194432	AU-WS	417344!	19577A	C-R	470380
194200	AU-WS	472572!	194298	B-L-H	417546!	194435	AU-WS	473237!	195786H1	IH	415137!
194202	AU-WS	450089	194300	AU-WS	417159	194436	AU-WS	470954!	195786H1	IH	418028
194202	B-L-H	450089	194302	AU-WS	415302	19445	C-R	450965	195870M1	MASSE	472560N!
1942020	CHRYSS	331227H	194304	AU-WS	472016	19447	C-R	45653S	19588F	OSHKO	415138!
194204	AU-WS	416404!	194304	CLARK	472016!	19449	C-R	417474	195925M91	MASSE	471413
194206	AU-WS	417344!	194306	AU-WS	473244	194494MI	MASSE	JV1236=	1959331	GM	420
194206	B-L-H	417344!	194306	B-L-H	473244	194495	US-EL	472397!	19599	C-R	710192
194208	AU-WS	417355!	194308	AU-WS	40555	19450	C-R	417474*	196	C-R	5095
194210	AU-WS	471424!	194308	AU-WS	40555S!	19455	C-R	6074	1960	C-R	5X16X5*
194212	AU-WS	472439	194310	AU-WS	55367=	1946	NATL	224252	19600	C-R	1209
194214	AU-WS	473459	194312	AU-WS	450269	19466	C-R	456057	19600	C-R	225010
194216	AU-WS	415645!	194314	AU-WS	413469!	1947	NATL	228020	19600	C-R	50X65X8!
194216	AU-WS	455104	194316	AU-WS	417487	1947	NATL	80X105X13!	19601	C-R	1209
194218	AU-WS	472492!	194318	AU-WS	410825	1947581	CHRYSS	3095	196011	SPERY	471272!
19422	C-R	473462	194320	AU-WS	417538	1949350	CHRYSS	7188S	19602	C-R	225005
19422	C-R	473462*	194322	AU-WS	472164!	194993	DOMGA	353135	19602	C-R	50X62X7!
194220	AU-WS	470354	194324	AU-WS	473467!	194993	DOMGA	474278!	19603	C-R	225005
194222	AU-WS	50528	194326	AU-WS	455290	194993	DOMIN	353135	196035M1	MASSE	471760
194224	AU-WS	471267!	194326	B-L-H	455290	194993	DOMIN	474278!	19604	C-R	710098
194226	AU-WS	472258!	194326	CLARK	455290	1949933	CHRYSS	353135	19605	C-R	225010
194228	AU-WS	450307	194328	AU-WS	472157!	1949933	CHRYSS	474278!	19605	C-R	50X65X8!
19423	C-R	473462*	194328	AU-WS	472157	194T5	WHITE	472636!	19606	C-R	1209
19423	C-R	473462	194330	AU-WS	450143	195	BUSHH	204002	19606	C-R	50X65X8V!
194230	AU-WS	471192	194332	AU-WS	471271!	19500	C-R	5121	196069	HYST	411245!
194230	B-L-H	471192	194334	AU-WS	471689!	195003A	OLIVE	417487	19607	C-R	473814
194230	CLARK	471192	194338	AU-WS	416956	195019M1	MASSE	450446	196071	HYST	418028
1942303	CHRYSS	331228H	194342	AU-WS	6590S	195020M1	MASSE	418028	196072	HYST	J1122
194232	AU-WS	411394!	194354	AU-WS	55301S	195020M1	MASSE	455137!	196073	HYST	J1114=
194234	AU-WS	417349	194358	AU-WS	331107N	195021M1	MASSE	471785!	19608	C-R	1948
194236	AU-WS	450313	194362	AU-WS	476470	195022M1	MASSE	470774!	19608	C-R	50X68X8!
194238	AU-WS	473243	194366	AU-WS	455406!	195051A	OLIVE	203025	19609	C-R	7751H
194240	AU-WS	473473	194370	AU-WS	455584	1950540	C-R	50975=	1961	NATL	222242
1942401	CHRYSS	474260	194372	AU-WS	410987!	19510	C-R	200371	19610	C-R	7751H
194242	AU-WS	50191	194374	AU-WS	480210!	195211M1	MASSE	455079!	1961007	LILIS	470380!
194246	AU-WS	473236!	194376	AU-WS	470530!	195218M1	MASSE	415150!	19611	C-R	225020
194248	AU-WS	450133	19438	C-R	473461	195226M1	MASSE	413247!	19611	C-R	50X68X8V!
194250	AU-WS	413247!	194380	AU-WS	470625!	195245M1	MASSE	473215!	19613	C-R	710194
194252	AU-WS	470605!	194382	AU-WS	415027	195255M1	MASSE	455008	19614	C-R	50X68X8V!
194254	AU-WS	327303!	194382	AU-WS	415027!	195271M1	MASSE	6668S	19615	C-R	450472!
194256	AU-WS	415991	194384	AU-WS	417316!	195287M1	MASSE	480630!	19616	C-R	1948
194256	AU-WS	455146!	194386	AU-WS	415725!	195291M1	MASSE	471224!	19617	C-R	450655=
194258	AU-WS	415303!	194388	AU-WS	7208S	1953	WMG	1953	19618	C-R	1948*

! Industrial Size/Type * Minor Width Difference

= The U.S. customer service number is 877-4-TIMKEN. The Canadian customer service numbers are 800-565-4927 (English) and 800-565-0438 (French-Canadian).

NUMERICAL INTERCHANGE

Mfr. No.	Name	Zero Duplication or Recommended Industrial	Mfr. No.	Name	Zero Duplication or Recommended Industrial	Mfr. No.	Name	Zero Duplication or Recommended Industrial	Mfr. No.	Name	Zero Duplication or Recommended Industrial
19618	C-R	50X68X8!*	19672	C-R	710112	19785	C-R	474272*	19860	C-R	472924!*
19619	C-R	1948*	19674	C-R	50X85X10	19786	C-R	474272*	19864	C-R	472924*
19619	C-R	50X68X8!*	19675	C-R	50X85X8	19786	C-R	474272	19868	C-R	472924!*
19620	C-R	450911N!	19677	C-R	225082	19787	C-R	471870!	19872	C-R	472924!
19621	C-R	710194	19679	C-R	50X88X8	19788	C-R	43073S	19873	C-R	472924!
19622	C-R	225005	1968	NATL	1174	19789	C-R	474272	198742H1	IH	415447
19623	C-R	710529	19680	C-R	450111	19793	C-R	710365	19876	C-R	472924
19624	C-R	1974	19682	GEM	240319	19797	LEECE	470712!	1988	NATL	227410
19626	C-R	1974	19684	C-R	50X90X8	197974H1	HOUGH	415458!	19880	C-R	200339
19627	C-R	1974	19686	C-R	50X90X10V	1979784	GM	421	19880	C-R	472924!
196272SA	TRSCM	450911N	19687	C-R	710117	19799	C-R	3404	19881	CLAYN	416404!
19628	C-R	1974	19689	C-R	710071	198	C-R	5068	19882	C-R	8998
19628	C-R	710357	19690	C-R	450497=	1980	NATL	3771	19884	C-R	320259
196286	SPERY	473313!	196927	SPERY	415867	19803	C-R	5113	19886	C-R	472924!
196297	ALLCH	256616=	19698	C-R	476512	19804	C-R	5113	19887	C-R	320259
196298	ALLCH	415142	1970	SPG	30X42X7	19804	C-R	7721	19887	C-R	472924!
1962984	ALLCH	415142	19702D	IH	50075=	19805	C-R	474272	19888	C-R	48X88X8
19630	C-R	1960	19707D	IH	471570!	19806	C-R	472492!	19890	C-R	472924!
19630	C-R	50X70X8!	19709	C-R	1941	19807	C-R	331107N	198908	ALLCH	415725!
19630	C-R	50X70X9!*	197116	C-R	474276	19808	C-R	472572!	19891	C-R	472924!
19631	C-R	50X70X10V	19712	C-R	450342	1981	VIC	222430	198921	US-EL	471138!
19632	C-R	50X70X8!*	19714	C-R	471747!	19810	C-R	472492!	19893	C-R	8998
19632	C-R	50X70X9!	19714M1	C-R	471747!	198116	ALLCH	474276!	19895	C-R	472924!
19632	C-R	710173	19715	C-R	473428	198116	C-R	474276	19896	C-R	472924!
19634	C-R	50X70X10V!*	19716	C-R	473426	19812	C-R	450342	19898	C-R	472924
19635	C-R	710173	19718	C-R	471750	19812D	IH	471554!	19898	C-R	472924=
19636	C-R	50X72X8V!	19718M1	C-R	471750	19814	C-R	471747!	19899	C-R	472924!
19638	C-R	225030	19719	C-R	470050	19814M1	C-R	471747!	1989977	GMC	425RR
19638	C-R	50X72X8!	19720	C-R	200885	19815	C-R	473428*	198W118M1	C-R	471750
1963807C1	CASE	471264!	19730	C-R	4189H	19816	C-R	473426*	198W14	C-R	471747!
1963843C1	CASE	472705!	1973110	OSHKO	370003A	19817D	IH	471554!	198W14-M1	C-R	471747!
19639	C-R	225035	19739	C-R	452261H	19818	C-R	471750	198W18	C-R	471750
19640	C-R	225030	19743	C-R	4148	19818K	SUL	471750!	198W18M1	C-R	471750
19640	C-R	225035*	19745	C-R	352541	19818M1	C-R	471750	199	C-R	5092
19640	C-R	50X72X8!	19746	C-R	40410S	19819	C-R	470050*	19900	C-R	472924*
19641	C-R	225035	19747	C-R	4148	19819	FAIRB	470050	19900	C-R	472924=
19641	C-R	225040*	19748	C-R	40401	1982	NATL	3771	19901	C-R	472924!
19641	C-R	50X72X8V!	19750	C-R	352541	1982	WMG	3771	19902	C-R	472924!
19643	C-R	450474*	19750	FMC	470059	19820	C-R	5865	19904	C-R	472924!
19643	C-R	5695	19750	FMC	470380!	19821	C-R	331107N	199044H1	HOUGH	476470!
19644	C-R	5695	19753	C-R	4739	19822	C-R	472492!	199044H1	HOUGH	476470
19645	C-R	225035	19753	C-R	8871	19823A	C-R	470606	19905	C-R	710263
19645	C-R	50X72X8!*	19754	C-R	40401	19824	C-R	472492!	19906	C-R	472924!*
196452C1	IH	412943	19756	C-R	50514	19824A	C-R	415483!	199072	JEFF	471192
19646	C-R	225035*	19757	C-R	90155*	19825	C-R	472492!	1991	C-R	471760*
19646	C-R	50X72X8!	19758	C-R	471424!	19827	C-R	472492!	1991	NATL	1953
196465H1	HOUGH	415023	19759	C-R	471424!	19829	C-R	472492!	1991	NATL	42X60X7!
196465H1	IH	415023	1976	NATL	223542	198291	HYST	417349!	199112	C-R	472258*
19649	C-R	225035	1976	NATL	35X55X11!	1983	NATL	225230	199114	JEFF	471357
19649	C-R	50X72X8!*	19760	C-R	471424!	1983	NATL	52X72X8!	199114	JEFF	455192!
196495	ALLCH	416339	19761	C-R	9015S	19830	C-R	8804S=	199123R91	IH	456618
196496	ALLCH	415867	19761D	IH	415458	19831	C-R	472492!	199124R91	IH	415351!
19652	C-R	225040	19762	C-R	471424	19832	C-R	472492!	19913	C-R	450159*
19653	C-R	41081S=	19763	C-R	4148	19834	C-R	40389S	19914	C-R	472082*
19654	C-R	50X75X10!	19766	C-R	8871	19835	C-R	472492!	19915	C-R	472082
19654	C-R	50X75X12!*	19767	C-R	40410S	19836	C-R	472492!	19917	C-R	472082
19654	C-R	50X75X8!	19768	C-R	9406S	19837	C-R	472492!	19918	C-R	471766!
19655	C-R	50X75X7	19770	C-R	292594	19838	C-R	472492!	19918M1	C-R	471766!
19656	C-R	710137	197705A	OLIVE	450400	19839	C-R	3404	19922	C-R	472082
19660	C-R	40370S	19773	C-R	3794	19839	C-R	472492	19923	C-R	472082=
19661	C-R	50X78X8	19775	C-R	471870!	19844	C-R	200881	19928	C-R	470645*
19662	C-R	225050	197752	SPERY	417349	198477	ALLCH	416282	199294H1	HOUGH	473010!
19662	C-R	50X80X8!	19776	C-R	4148	19848	C-R	472653!	1992M	BRAD	471553!
19663	C-R	225050*	19777	C-R	471424!	19851	C-R	493524	199303	US-EL	471255!
19663	C-R	50X80X8!*	19778	C-R	471870!	19852	C-R	331301N	19932	C-R	470530!
19664	C-R	50X80X8	19779	C-R	471870!	19853	C-R	472924!*	19933	KINGN	473205
19665	C-R	225050	1978	WMG	224270	19854	C-R	472924!*	199334	WAUKE	416865!
19665	C-R	50X80X8!	19780	C-R	471870!	19855	C-R	472924!*	19935	C-R	205044
19666	C-R	50X80X8V	19781	C-R	40360S!	19856	C-R	472924!*	19938	C-R	205044
19668	C-R	225082	19783	C-R	40360S!	19857	C-R	472924!*	19939	C-R	4598
19670	C-R	50528	19784	C-R	4739	198578	ALLCH	415234!	19940	C-R	205044*
19671	C-R	50528	19785	C-R	474272!	19857D	IH	450048	199417	B-L-H	471271!

! Industrial Size/Type * Minor Width Difference

= The U.S. customer service number is 877-4-TIMKEN. The Canadian customer service numbers are 800-565-4927 (English) and 800-565-0438 (French-Canadian).

Mfr. No.	Name	Zero Duplication or Recommended Industrial	Mfr. No.	Name	Zero Duplication or Recommended Industrial	Mfr. No.	Name	Zero Duplication or Recommended Industrial	Mfr. No.	Name	Zero Duplication or Recommended Industrial
19942	C-R	470530!	19QJA-314	MACK	HU058A	1B2418	CATER	472924!	1E2006	CATER	416113V
19944	C-R	470530!	19QJA-315	MACK	HU057A	1B2418	WESTR	472924!	1E267	ALLCH	455008
199451	WAUKE	J1137=	19QJA-316	MACK	HU012A	1B2477	CATER	416125!	1E3377	OLIVE	472492!
199451A	WAUKE	J1107	19QJA-317	MACK	HU024A	1B2729	CATER	470530!	1E3512	OLIVE	240009
199451C	WAUKE	J1115	19QJA-318	MACK	HU009A	1B287337316	GACO	239129	1E575	OLIVE	240731
19948	C-R	470530!	19QJA-319	MACK	HU009A	1B4868	CATER	415025	1E620	OLIVE	472299
19949	C-R	470530!	19QJA-320	MACK	HU149A	1B5990	CATER	470088	1E693	OLIVE	473239
19951	C-R	470530!	19QJA-325	MACK	HU036A	1B5997	CATER	471354!	1E930	OLIVE	471224!
19953	C-R	470530!	19QJA-39301	MACK	HU036A	1B6029	CATER	474265	1EX14398	ALLCH	416888
19957	C-R	470530!	19SKB-0214	WHITE	472164!	1B6256	LEYLD	471224!	1EX22579	ALLCH	417191
19960	C-R	470530!	19SKB-024	WHITE	472164!	1B6574	FED	470354	1EX22580	ALLCH	J1123
19965	C-R	40085S	19UG-0214	WHITE	473227!	1B7308	FED	471466!	1EX24199	ALLCH	471760
199653R91	IH	471195!	19UG-024	WHITE	473227!	1B7493	NAPCO	412119!	1EX26327	ALLCH	472492!
19968	C-R	470530!	19UG-0431	WHITE	411253!	1B8212	CATER	50026	1F0636	CATER	416107!
19969	C-R	470530!	19X27X6SC	TRSCM	19X27X6	1B936	CATER	415001!	1F0636	CATER	455073
19969	C-R	470530*	19X27X6TC	TRSCM	19X27X6	1B9919	CATER	471466!	1F100175	UNIVE	471689!
1997	NATL	1012	19X30X7ASN	ISP	19X30X7	1B9919	WESTR	471549!	1F11113	MURRA	410987!
1997	NATL	1012N	19X32X7	SIMRT	19X32X8	1BA9424	WHITE	415449!	1F5477	CATER	471442!
1997	NATL	45X62X8!	19X32X7AN(35)	ISP	19X32X7	1BA9425	WHITE	415960	1F5478	CATER	471255!
19970	C-R	470530!	19X32X8SC	TRSCM	19X32X8	1BB9425	WHITE	415449!	1F5479	CATER	471554!
19970	C-R	470530*	19X32X8TC	TRSCM	19X32X8	1BG9424	WHITE	417316!	1F5480	CATER	471570!
19970	WHITE	50560	19X35X10	NATL	45031S	1BH9425	WHITE	415960	1F5482	CATER	476838!
199717R91	IH	472299	19X35X10SC	TRSCM	19X35X10!	1BJ9424	WHITE	415960!	1F5482	CATER	476838*
19975	C-R	470530!	19X35X10TC	TRSCM	19X35X10!	1BJ9425	WHITE	417344!	1F5483	CATER	472287!
19976	C-R	470530!	19X40X10	SIMRT	19X40X10	1BK9424	WHITE	416404!	1F5484	CATER	474281!
19977	C-R	470530*	19X40X10SC	TRSCM	19X40X10	1BK9425	WHITE	417344!	1F5485	CATER	415458!
19977	C-R	470530!	19X40X10TC	TRSCM	19X40X10	1BN9424	WHITE	417487	1F5514	CATER	45059S
19978	C-R	40085S	1A122	NOVO	471466!	1BR9424	WHITE	417621!	1F5692	CATER	472705!
19979	C-R	470530=	1A3253	LEYLD	472258!	1BR9425	WHITE	417171!	1F636	CATER	416107!
1998	NATL	222510	1A3472	FED	470334!	1BS9424	SPICE	417171!	1F636	CATER	455073
19980	C-R	470530!	1A3473	FED	471750!	1BS9424	WHITE	417171!	1F7891	CATER	471649!
19980D	IH	412861	1A3480	FED	473215!	1BV9424	WHITE	417181!	1F880	CATER	416865!
19981	C-R	470530	1A3737	FED	470530!	1BW9424	WHITE	415023	1G9424	WHITE	471554!
19982	C-R	470530*	1A4194	FED	45637S	1C108	NOVO	450593!	1H1036	CATER	341022
19983	C-R	470530	1A4256	FED	481568!	1CA60536	FWD	473229	1H1110	OLIVE	472636!
199835	FWD	HU009A	1A4664	FED	473179	1CAA9424	WHITE	415302	1H2265	CATER	471504!
199836	FWD	730003	1A5543	FED	473367!	1CD9424	WHITE	417501	1H2439	CATER	415995!
19985	C-R	470530	1A5543	FED	473367	1CG9424	WHITE	416339	1H275	OLIVE	50199S!
19986	C-R	470530	1A6032	FED	330385	1CG9424	WHITE	455031!	1H275	OLIVE	6863S!
19988	C-R	470530	1A6054	FED	417344!	1CR9424	WHITE	412943	1H3339	LEYLD	1097N
199881	FWD	HU024A	1A7214	FED	471689!	1CS1918	FWD	471466!	1H4439	CATER	240356
199882	FWD	730004	1A7222	FED	473228	1CS2049	FWD	470334!	1H4663	CATER	470565!
199884	FWD	HU028A	1A7372	FED	471192	1CU9424	WHITE	411245!	1H5959	CATER	473016!
199885	FWD	730001	1A78062	FWD	473227	1CX9424	WHITE	415138!	1H5959	WESTR	473016!
199899	FWD	730016	1A78062	WAUKE	473227	1D1443A	OLIVE	416292	1H790	CATER	415035
19990	C-R	40301S	1AA9424	WHITE	473228	1D3561	LEYLD	472164!	1H8371	CATER	471192
199902	FWD	HU066A	1AD9424	WHITE	473367	1D4321	CATER	412943	1J2150	CATER	415991
19991	C-R	472397	1AD9424	WHITE	473367!	1D4324	CATER	412943	1J2150	CATER	455146!
19992	C-R	472397!	1AG9424	SPICE	472179	1D4326	CATER	415988	1J2258	CATER	416666
19993	C-R	472397!	1AG9424	WHITE	472179	1D4327	CATER	416921!	1J2381	CATER	471281!
19994	C-R	472397	1AK9424	WHITE	472572!	1D4901	CATER	412119!	1J2382	CATER	470712!
19998	C-R	472397!	1AN9424	WHITE	472924!	1D5567	CATER	471554!	1J3540	CATER	710010
19999	C-R	472397!*	1AR9424	WHITE	472015!	1D5568	CATER	471750!	1J4034	CATER	415027!
19DKB-0214	WHITE	415960	1AU9424	WHITE	411253!	1D5973	CATER	450065	1J4220	CATER	415295
19DT633	OSHKO	415379	1AV9424	WHITE	472636!	1DA9424	WHITE	416167!	1J4240	CATER	415295
19FK0431	WHITE	415449!	1AX9425	WHITE	416271!	1DD9424	WHITE	471765!	1J4587	CATER	471554
19QJ-122	MACK	HU036A	1B1057	CATER	411253!	1DE9424	WHITE	471354!	1J7063	CATER	415138!
19QJ-123	MACK	HU110A	1B1064	CATER	415960!	1DG9424	WHITE	472144!	1J8388	CATER	472016
19QJ-238	MACK	HU036A	1B1065	CATER	415023	1DK9424	WHITE	455336	1JG7	KEN	415960
19QJ-245	MACK	HU031A	1B1069	CATER	450593!	1DN9424	WHITE	473225!	1K1110	OLIVE	471766!
19QJA-29302	MACK	HU024A	1B1072	CATER	473419	1E0011	CATER	416113V	1K1443	OLIVE	416921!
19QJA-29304	MACK	HU009A	1B1443	OLIVE	455434	1E1039	CATER	416113V	1K1582	OLIVE	323138!
19QJA-29305	MACK	HU009A	1B1477	FED	412119!	1E104	DIA	46997S	1K1588	OLIVE	410496!
19QJA-29306	MACK	HU036A	1B1785	CATER	415034!	1E105	DIA	472144!	1K1590	OLIVE	471192
19QJA-29307	MACK	HU009A	1B2245	CATER	470334!	1E1087	OLIVE	473214!	1K2053	OLIVE	472354!
19QJA-29308	MACK	HU009A	1B2256	CATER	413469!	1E1110	OLIVE	410987!	1K2212	OLIVE	340413
19QJA-29309	MACK	HU024A	1B2257	CATER	473444	1E1443	OLIVE	471138!	1K2262	OLIVE	411
19QJA-310	MACK	HU036A	1B2257	CATER	473444!	1E1569	OLIVE	412871!	1K4713	CATER	413478
19QJA-310-P1	MACK	HU036A	1B2258	CATER	473367!	1E1582	OLIVE	470565!	1K620	OLIVE	472439
19QJA-311	MACK	HU031A	1B2258	CATER	473367	1E1588	OLIVE	451817	1K693	OLIVE	455079!
19QJA-312	MACK	HU149A	1B2346	CATER	470059	1E1590	OLIVE	471267!	1K6981	CATER	710017
19QJA-313	MACK	HU009A	1B2346	CATER	470380!	1E174	DIA	472179	1K6982	CATER	710018

! Industrial Size/Type * Minor Width Difference

= The U.S. customer service number is 877-4-TIMKEN. The Canadian customer service numbers are 800-565-4927 (English) and 800-565-0438 (French-Canadian).

NUMERICAL INTERCHANGE

Mfr. No.	Name	Zero Duplication or Recommended Industrial	Mfr. No.	Name	Zero Duplication or Recommended Industrial	Mfr. No.	Name	Zero Duplication or Recommended Industrial	Mfr. No.	Name	Zero Duplication or Recommended Industrial
1K6983	CATER	450307	1X1137	LK-BT	455146!	1X3338	FMC	417541	2-JG21	KEN	412119
1K73186	MURRA	416664!	1X1138	FMC	416888!	1X3338	LK-BT	417541	2-JG22	KEN	470530!
1K752A	OLIVE	471571	1X1138	LK-BT	416888!	1X3345	FMC	417512	2-JG23	KEN	472179
1K7983	CATER	472924!	1X1461	FMC	417238	1X3353	FMC	J1122	2-JG24	KEN	6270
1K9424	SPICE	471570!	1X1461	LK-BT	417238	1X3353	LK-BT	J1122	2-JG26	KEN	6489
1K9424	WHITE	471570!	1X1484	FMC	455117	1X3360	LETN	415449!	2-JG27	KEN	6635S
1L1110	OLIVE	416271!	1X1501	FMC	415187	1X3363	FMC	473228	2-JG28	KEN	415138!
1L1443	OLIVE	472016	1X1666	FMC	455584	1X3385	FMC	J1120=	2-JG3	KEN	5403
1L2094	CATER	473197	1X1666	LK-BT	455584	1X3389	FMC	416239!	2-JG30	KEN	417262!
1L2P-7052BA	FORD	4765	1X1743	FMC	415294!	1X3422	FMC	416865!	2-JG31	KEN	6872S
1L2Z-7052BA	FORD	4765	1X1743	LK-BT	415294!	1X3423	FMC	455330!	2-JG32	KEN	417254
1L2Z-7B215EA	FORD	710403	1X1841	FMC	415379	1X3424	FMC	J1141	2-JG33	KEN	417349
1L3W4674AA	FORD	4278	1X1841	FMC	415379!	1X3446	FMC	415072	2-JG34	KEN	416500
1L4776	CATER	470625!	1X1841	LK-BT	415379	1X3461	FMC	417600	2-JG37	KEN	472636!
1L4777	CATER	471344	1X1841	LK-BT	415379!	1X3541	FMC	415379	2-JG38	KEN	416282
1L620	OLIVE	473234	1X1843	FMC	470898!	1X3541	FMC	415379!	2-JG4	KEN	5405
1L620B	OLIVE	471692!	1X1843	LK-BT	470898!	1X3554	FMC	J1134	2-JG5	KEN	5406
1L693	OLIVE	412943	1X1861	FMC	417495	1X3589	FMC	417191	2-JG7	KEN	5408
1L7204	CATER	417487	1X1861	LK-BT	417495	1X3589	FMC	455165!	2-JG9	KEN	50631
1L7204	CATER	417487!	1X1865	LK-BT	415449!	1X3591	FMC	J1123	2-SPC22	NOVO	471763
1L7560	CATER	415725=	1X1990	FMC	417357	1X3686	FMC	416892!	2/5-F990	ROCKW	472016
1L9349	CATER	416229	1X2066	FMC	415138!	1X3693	FMC	416865!	200-P68	MINNM	204002
1M1110	OLIVE	415458!	1X2098	FMC	417171!	1X3810	FMC	455191	200 ROCKW		5401
1M1460	HU-WR	471504!	1X2312	FMC	455178=	1X3820	FMC	416476!	200 UNIVE		472397!
1M3003	CATER	417350=	1X2312	LK-BT	455178=	1X3966	FMC	J1131	20000-0600	GARLK	6X116X7
1M7657	FORD	410059	1X2354	FMC	417298	1X3967	FMC	415074	20000-0905	GARLK	9X22X7
1M7657	FORD	470380!	1X2354	LK-BT	417298	1X4027	FMC	455396	20000-1409	GARLK	14X30X7
1M77334	FORD	473459	1X2412	FMC	415389	1X4280	FMC	415128	20000-1902	GARLK	19X32X8
1N9349	CATER	471785=	1X2446	FMC	415035	1X4395	FMC	J1127	20000-1903	GARLK	19X32X8
1N9424	WHITE	450593!	1X2446	FMC	415035!	1X4396	FMC	415697!	20000-2021	GARLK	20X37X8
1P4879	CATER	710009	1X2446	LK-BT	415035	1X4396	FMC	455547	20000-2702	GARLK	27X42X10
1P5387	CATER	455079!	1X2446	LK-BT	415035!	1X4411	FMC	417546!	20000-3402	GARLK	34X52X8
1P7657	FORD	7692S	1X25215	IH	416865!	1X4427	FMC	416154!	20000-3403	GARLK	34X52X8
1P7657A	FORD	410059	1X2527	FMC	481537	1X4429	FMC	J1126	20000-3404	GARLK	34X52X8
1P7657A	FORD	470380!	1X2527	LK-BT	481537	1X4461	FMC	416339	20000-3405	GARLK	34X62X10!
1P7657A3	FORD	410059	1X2570	FMC	412920!	1X4556	FMC	J1140	20000-3601	GARLK	36X52X7
1P7657A3	FORD	470380!	1X2570	LK-BT	412920!	1X4889	FMC	417600	20000-3604	GARLK	36X62X7!
1P77265R	FORD	408	1X2571	LK-BT	473214	1X4W7H426AA	FORD	100731V	20000-4034	GARLK	40X68X12
1P77288A	FORD	240816	1X2578	FMC	472016	1X5446	FMC	415449!	20000-4403	GARLK	44X65X10!
1P77288B	FORD	7929S	1X2578	LK-BT	472016	1X5448	FMC	416892!	20000-4533	GARLK	45X85X10
1P77837	FORD	473459	1X2666	FMC	417262!	1X5475X	FMC	416865!	20000-4534	GARLK	45X85X10
1P77837A	FORD	473459	1X2666	LK-BT	417262!	1X5589	FMC	417551	20000-5020	GARLK	50X75X10
1P77837B	FORD	473459	1X2671	FMC	417357	1X5603	FMC	481537	20000-5205	GARLK	52X80X10
1P77837B3	FORD	473459	1X2671	FMC	455192!	1X5695	FMC	415551	20000-5300	GARLK	53X68X10
1P77837B4	FORD	473459	1X2671	LK-BT	417357	1X5696	FMC	JX1190	20000-5301	GARLK	53X68X10
1PS396	C-P	473225!	1X2671	LK-BT	455192!	1X5703	FMC	416229	20000-5611	GARLK	56X80X8
1QFL330	MACK	370019A	1X2738	LK-BT	415995!	1X5703P	FMC	416229	20000-6306	GARLK	63X85X10
1R9424	WHITE	476838!	1X2833	LK-BT	415187	1X5718X	FMC	417571	20000-6308	GARLK	63X85X10
1S1115	CATER	473235!	1X2834	LK-BT	415066	1X5785	FMC	470898	20000-6404	GARLK	64X90X13
1S1164	CATER	3893V!	1X2943	LK-BT	417551	1X5832P	FMC	417364	20000-6405	GARLK	64X90X13
1S1164	CATER	415379!	1X2944	FMC	J1138	1X5872P	FMC	415371	20000-7500	GARLK	75X90X10
1S1369	CATER	456462	1X2944	LK-BT	J1138	1X5924P	FMC	415150!	20000-7505	GARLK	75X110X12
1S2234	CATER	456464	1X2956	FMC	J1136	1X6876	FMC	472636* =	20000-9200	GARLK	92X120X13
1S5347	CATER	2792	1X2956	LK-BT	J1136	1X6878	FMC	417191* =	200000A	CASE	455189
1S6543	CATER	410825	1X2967	FMC	415074	1X6880	FMC	471271*	200000A	HERCU	455189
1S79	CATER	415031N=	1X3193	FMC	J1128	1X9424	WHITE	471192	200000B	HERCU	455189
1S8814	CATER	415899N	1X3193	LK-BT	J1128	1Z6407	CATER	447060V=	200002	SPG	200110
1S8814	CATER	416624	1X3230	FMC	417255	2-68630058	OWS	340817	200002206	GARLK	22X37X7!
1SK9424	WHITE	472572!	1X3230	LK-BT	417255	2-68630481	OWS	415379	200002206	GARLK	22X37X8!
1SPC22	NOVO	471255!	1X3231	LK-BT	J1278=	2-68630515	OWS	415035	200005793	WHITE	417254
1T0467	CATER	415035	1X3235	FMC	417357	2-68630515	OWS	415035!	200006561	WHITE	410930=
1T1366	CATER	415995!	1X3235	LK-BT	417357	2-A6475	BENDI	417316!	20001-0303	GARLK	135X160X12
1T467	CATER	415035	1X3235	LK-BT	455192!	2-C211	HWY	417556	20001-0407	GARLK	145X180X12
1T9424	WHITE	470712!	1X3236	FMC	417551	2-J227	NOVO	473419	20001-0900	GARLK	190X230X13
1U319	ULRIC	450400	1X3236	LK-BT	417551	2-JG10	KEN	410102	20003	C-R	40301S
1W5729	CATER	J1984* =	1X3295	FMC	417556	2-JG13	KEN	473231	20003	LEECE	416738!
1W6974	CATER	39894	1X3327	FMC	J1124	2-JG14	KEN	50560	20003	LEECE	450096
1W6977	CATER	39893	1X3329	FMC	J1125	2-JG15	KEN	410496!	200032	CLARK	471224
1WB7	OSHO	416071	1X3330	FMC	J1118	2-JG16	KEN	370036A	200038	CUMMI	471267
1X1137	FMC	415991	1X3330	LK-BT	J1118	2-JG17	KEN	415137!	200039	CUMMI	471272
1X1137	FMC	455146!	1X3337	FMC	417433	2-JG17	KEN	418028	20004	C-R	472397!
1X1137	LK-BT	415991	1X3337	LK-BT	417433	2-JG2	KEN	5401	20004	C-R	472397*

! Industrial Size/Type * Minor Width Difference

= The U.S. customer service number is 877-4-TIMKEN. The Canadian customer service numbers are 800-565-4927 (English) and 800-565-0438 (French-Canadian).

Mfr. No.	Name	Zero Duplication or Recommended Industrial	Mfr. No.	Name	Zero Duplication or Recommended Industrial	Mfr. No.	Name	Zero Duplication or Recommended Industrial	Mfr. No.	Name	Zero Duplication or Recommended Industrial
20004	LEECE	473225!	200256	EATON	8611N	20059	C-R	473463	200W15	C-R	471764!
20005	C-R	472397!	200275	MICH	472492!	20059	SPG	470380!	200W15-M1	C-R	471764!
20005	LEECE	40085S	20028	C-R	472397!	200598	KOHL	481537	200W16	C-R	471765
20005606	TROS	470645	200283	EATON	8660S	20060	GARLK	471442!	200W16M1	C-R	471765
20006	C-R	40301S	200287	MICH	472924!	20060024	DURA	473236!	200W18	C-R	471766!
200069	CUMMI	J1111	200287	UNIVE	472924!	200600BPO	SPG	200600	200W18-M1	C-R	471766!
20009	C-R	472397	200287DSL	MICH	472924!	2006082	GMC	415991	200X230X15SC	TRSCM	200X230X15!
2000M-13	ROCKW	5408	200294	EATON	471272!	2006082	GMC	455146!	200X230X15TC	TRSCM	200X230X15!
2001	C-R	471760	200299	UNIVE	470530!	2006216	EATON	415960!	201	C-R	5118
2001	SEAMA	473473	2003	FMS	2003N	20063	C-R	473463	201	UNIVE	450311
20010004	TROS	471760	200300	MICH	470530!	200640BX	SPG	200640	201-463-8	SPICE	415379
20010007	TROS	471760	200300	UNIVE	472397!	20065	C-R	7721!	20100	C-R	473464
20010805	TROS	471763	200300HSL	MICH	470530!	2006512	GMC	370034A	201002	COOK	55222=
20010807	TROS	471763	200300ISL	MICH	470530!	2006522	EATON	415938	2010071	GMC	410496!
200111	KOHL	471760	200300LSL	MICH	470530!	2006523	GMC	3143N*	201010A	TW-DI	415437
200112	C-R	472258*	200301	MICH	472397!	20067	SPG	473228!	20103	C-R	473464
200112	KOHL	471224!	200303SA	TRSCM	472397	20068	C-R	473242	2010451	GMC	416664
20011204	TROS	471765	200306	MICH	473463*	20069	C-R	473242	20108D	IH	473215!
20011207	TROS	471765!	200306	UNIVE	473463	2007	FMS	2007N	20109	C-R	412027
20011604	TROS	471766!	200307	CUMMI	39835	20070	C-R	473242	2011	UNIVE	471141!
20011604.75	TROS	471766	200307	CUMMI	5133!	20071	C-R	473242	2011035	WOOL	417267
20011605	TROS	471766!	2003119	GMC	473454	20072	C-R	473242	20111	C-R	473464!
20011606	TROS	471766!	200312	UNIVE	473242	20072	GARLK	471526!	20111	C-R	473464
20011607	TROS	471766!	200313	MICH	473242	200721H1	IH	472636	20112	C-R	473464
20011608	TROS	471766!	200318	UNIVE	473464	20074	C-R	473242	20112	C-R	473464!
20011610	TROS	471766!	200318	UNIVE	473464!	20075	C-R	473242	20112	MICH	471466!
200117	HYST	311197	200319	MICH	473464!	200757H1	IH	473010	20112	UNIVE	471466!
20012	C-R	471762!	200319	MICH	473464	20076	C-R	473242	20113	C-R	9762S
20012	C-R	710437	200325	UNIVE	412027	20076S	SPG	470334!	201140R91	IH	415351!
20012	GOODM	471762!	20032LUP	JN-MN	416125!	20078	C-R	412725	2011488	GMC	473010
20012005	TROS	473210	200334M1	MASSE	417316!	20078	C-R	43670!	20116	C-R	412027
20012005C	TROS	473210	200337	MICH	410102	20079	C-R	412725	20117	C-R	412027
20012006	TROS	473210	200340B	HERCU	45637S	2008	NATL	32X54X10	20118	C-R	8139
20012405	TROS	472258!	200340B	HOUGH	45637S	20081	GARLK	471472!	201197	WILYS	240151
20012405.25	TROS	472258!	200348	HARRI	480630!	20082	C-R	412725	2012	FMS	2012V
20012405.5	TROS	472258	20035	FMC	410102	20083	C-R	412725	2012	SEAMA	455144
20012406	TROS	472258!	200354	SPG	200354	20085S	SPG	470530!	201204R91	IH	412871!
20012407	TROS	472258!	2003712	GMC	416167!	2008723	GMC	370001A	20124	C-R	410102*
200129	WILYS	416738!	2003754	GW	450398	200897SSL	MICH	472924	2012455	GMC	3136N
200129	WILYS	450096	2003754	GW	471267!	200897X	SPG	80313	20125	C-R	410102*
20012K	GOODM	471762!	200378	WILYS	42763	20090	C-R	412725	20126	C-R	410102
20012M1	C-R	471762!	200382	HERCU	470712	200903	WILYS	340797	20127	C-R	410102
20013	C-R	450159	200382A	HERCU	470712	20091	C-R	293280=	2013	NATL	1012
20013203.5	TROS	240319	200384	CONTI	5971	20094	C-R	473464	2013	NATL	1012N
20013204	TROS	481163!	2003RC	SUL	416888!	20094	C-R	473464!	20130	C-R	410102=
200133	CLARK	471224!	20040	C-R	473463	2009496	GR-DV	J1123	201311	WILYS	471827
20013LPD	JN-MN	415043	200420	WILYS	5778	2009497	GR-DV	416294!	20134	C-R	410102!
20014	C-R	471763	200427	CONTI	5971	20095	C-R	473464	20135	C-R	410102*
20015	C-R	471764!	20043	C-R	473463	20095	C-R	473464!	20135	SPG	471192
200155M1	MASSE	472924!	20043	SIDEW	470380!	20096	C-R	473464	20136	C-R	710007
20015M1	C-R	471764!	20044	C-R	204508!	2009633	GR-DV	416239!	20137	MICH	471255!
20016	C-R	471765	20044	C-R	473463	20097	C-R	473464	20137	UNIVE	471255!
200164M1	MASSE	473238!	200446	HYST	410825	2009746	GR-DV	J1135=	201377	GW	471567!
200166M1	MASSE	471750!	200447	HYST	415960	2009750	GR-DV	417316!	20140	C-R	455253*
20016M1	C-R	471765	20045	C-R	473463	2009751	GR-DV	417343!	20141	SPG	470954!
20017	C-R	450173	20046	C-R	473463	2009752	GR-DV	417172	201412	BENDI	471267!
20018	ALLCH	471766!	2004657	GMC	455244H=	2009753	GR-DV	417366!	2014181	GMC	472185!
20018	C-R	471766!	20047	C-R	473463*	2009755	GR-DV	416288!	20143	C-R	455253*
20018	FAIRB	471766!	20048	C-R	473463	2009756	GR-DV	J1130	20144	C-R	487945
20018	MINMA	471766!	20049	C-R	473463	2009757	GR-DV	J1127	20145	SPG	473460
20018	SPG	471264!	200490	HYST	415854	20098	C-R	473464!	20146	C-R	410102+99198
20018M1	C-R	471766!	20050	SPICE	370036A	20098	C-R	473464*	20146	C-R	413470
20018Q6-B	C-R	471766!	20050	SPICE	370349A	200996	CLARK	471649!	20146	C-R	5188!
20019	C-R	473424!*	20050	SPICE	380036A	200997	ALLCH	411253!	2014685	HENRY	42352S
200196	ALLCH	473367!	20051	C-R	473463	200A11204	TROS	40576S	2014686	HENRY	40401
200196	ALLCH	473367	20051258	DURA	471763	200A11205	TROS	40576S	20147	C-R	457097=
200204BX	SPG	200204=	20052	C-R	473463	200B18	C-R	471766!	20148	C-R	204506!
20022	C-R	472397!	20053	C-R	473463	200CP16M1	C-R	471765	20148	C-R	487945
2002245	GMC	473243	200539	HARRI	473197	200F18	C-R	471766!	201495	JEFF	472439
20023	C-R	472397!	20054	C-R	473463	200FM18	C-R	471766!	20154	C-R	205044
200234T	BR-WN	417344!	200544	HARRI	417502	200W-12	IH	471762!	20158	C-R	55524
200236	EATON	416444	20055	SPG	473215!	200W12	C-R	471762!	2016^1012	STEM	417505

! Industrial Size/Type * Minor Width Difference

= The U.S. customer service number is 877-4-TIMKEN. The Canadian customer service numbers are 800-565-4927 (English) and 800-565-0438 (French-Canadian).

Mfr. No.	Name	Zero Duplication or Recommended Industrial	Mfr. No.	Name	Zero Duplication or Recommended Industrial	Mfr. No.	Name	Zero Duplication or Recommended Industrial	Mfr. No.	Name	Zero Duplication or Recommended Industrial
20160	C-R	55524	202325	MICH	450313	202976	CUMMI	5509	2034226	GMC	417507
20160	SPG	471763	202325	UNIVE	450313	202992VH	TRSCM	40085S	2034230	GMC	418028
2016169	GMC	370001A	202331	FORD	473231!	202993TA	TRSCM	470530	2034235	GMC	370019A
201657A	HERCU	420	202335	UNIVE	450532 *	202A402	GE	351487	2034236	GMC	370012A
20168	C-R	5329	20237	GARLK	471564	202VB7	MARI	412119!	2034237	GMC	417506
20168	C-R	6465	202405C91	IH	415303!	203	SEAMA	417542	2034238	GMC	370008A
2016938	EATON	417967!	2024226	GMC	100494	203	UNIVE	473245!	2034361	GMC	450068
201693800	EATON	417967!	2024226	GMC	476470!	203003	NATL	203004	2034942	GMC	370106A
20172	C-R	6465	2024331	GMC	411253!	203004	NATL	203003	2035	SEAMA	417554!
2017341	GMC	50327	20250	C-R	51X73X8	203005	NATL	205005	2035091	GMC	415137!
2017948	EATON	473238	202503	MC-CL	471633!	203005X	SPG	203005!	2035091	GMC	418028
201794800	EATON	473238!	202521	Y-T	473367	20300D	IH	5M559	203524	BENDI	470530!
201799R91	IH	470898	202521	Y-T	473367!	20301	SPG	472397!	203544TL	TRSCM	455253
2017OS	JN-MN	415150!*	20252SC	TRSCM	352541	2030123	GMC	417507	20355	GMC	472164!
2018206	Y-T	455330!	20252VB	TRSCM	40401	2030133	GMC	417171!	2035506	GMC	370001A
201820600	EATON	455330!	20255	C-R	472924!	203015X	SPG	203015	2035507	GMC	370005A
2019	SEAMA	473227	202562VB	TRSCM	8871	203029M1	MASSE	415458!	203573	BENDI	476838!
2019028	GMC	HU042A	202565VB	TRSCM	9015S	20302VAY	TRSCM	40301S	203573	WHITE	473367!
2019130	EATON	415001!	2025OS	JN-MN	450143	203038M1	MASSE	414045!	203573	WHITE	473367
201933R91	IH	473463	202602	ALLCH	473462	20303TB	TRSCM	472397!	203581600	EATON	415371
20196	C-R	5871	202622VB	TRSCM	9406S	203040B	HERCU	485197H=	20359	VICK	50528
2019708	EATON	417316=	20262KBJ	TRSCM	4148	2030463	SEAMA	471271!	20359D	IH	471466!
2019766	EATON	450084!	202632VB	TRSCM	292594	2030600	GMC	450467	2035SR	OSHKO	470059
201VB7	MARI	412920!	202635SP	TRSCM	6090S	203063TB	TRSCM	473463	2035SR	OSHKO	470380!
202	ROCKW	5403	20263TB	TRSCM	471424!	2030838	SEAMA	417349	2036108	GMC	470712!
202	UNIVE	472016	20263VTB	TRSCM	471424!	2030897	GW	471554!	203710A	HARWA	20X37X8
2020	SEAMA	471267!	202683SB	TRSCM	40360S!	203097	CUMMI	J1807	2037360	GMC	470059
202008	SPG	204008	202683SB	TRSCM	471833	2030D	GOODM	455079!	2037360	GMC	470380!
20201	GARLK	471466!	2026943	GMC	370121A	2030LD	OSHKO	471689!	203745	BENDI	50075=
20205	C-R	494123	2026OS	JN-MN	472179	2031	ALOY	473234	203745	DIA	50075=
20205	C-R	51X63X8!*	202700M1	MASSE	473453	203100	CUMMI	471795	203745	IH	50075=
20205	C-R	710323*	202713TB	TRSCM	450446!	203101	CUMMI	473010	203746	BENDI	450039
20209	C-R	494123	202713TB	TRSCM	474272	2031059	GMC	417505	203746	GMC	450039
202098	FMC	416149	20271VB	TRSCM	5865	20313TB	TRSCM	473242	2037485	GMC	471341
2020985	GMC	471466!	2027348	GMC	473245!	2031437	GMC	472394	2037489	GMC	470954!
2020997	GMC	470625!	20273SSZ	TRSCM	331107N	2031437	MCKIN	472394	203766	BENDI	471570!
20210	C-R	225110	20273TB	TRSCM	472492!	2031438	GMC	472016	20380	C-R	5797
20210	C-R	51X65X7!	20273VTB	TRSCM	472492	2031438	MCKIN	472016	203809	CINMI	417355!
202104	ALLCH	5M403	20275	C-R	51X80X8*	203153	BENDI	473367	203822	CUMMI	2151H=
202108M1	MASSE	471870!	202752VHY	TRSCM	40389S	203153	BENDI	473367!	2038244	GMC	370106A
202109M1	MASSE	471766!	2027672	GMC	HU110A	203153	DIA	473367!	2038277	GMC	473367!
20211106	TROS	451182	202784	FORD	7381S	203153	DIA	473367	2038277	GMC	473367
202115	MIHLE	415090	202798M1	MASSE	470059	203153	GMC	473367!	203838	CINMI	417171!
20212X	SPICE	451948	202798M1	MASSE	470380!	203153	GMC	473367	20383D	IH	472924!
20213	GARLK	471264!	2027D	GOODM	470605!	203153	KEN	473367!	203881	BENDI	471750!
20215	C-R	5695	20280	C-R	51X81X8*	203153	KEN	473367	20388D	IH	472924!
20216	C-R	710173	202801M1	MASSE	472439	203153TA	TRSCM	412725	2039149	GMC	418028
202170	KEN	415077	20281	VICK	473447	20316	SPG	472636!	2039150	GMC	HU066A
202170	PACIF	415077	20282VHY	TRSCM	200339!	203166	BENDI	450065	2039297	EATON	470898
202180	KEN	325940=	20283TA	TRSCM	472924	2031765	GMC	415137!	20393D	IH	472924!
2021809	GMC	370006A	20284SA	TRSCM	472653!	2031765	GMC	418028	20394	SPG	473227!
2022006	GMC	5M867	2028516	GMC	482415	2031767	GMC	415001!	203A13206	TROS	1165
202210	WAYNE	416149	202852	WILYS	474278!	2031768	GMC	417159	203FF112	C-R	470774!
202211	HERCU	417535	202883TB	TRSCM	472082	2031949	GMC	473211!	204	C-R	5116
20225	GARLK	471255!	20289A	C-R	415035	2031960	FWD	78048	204	ROCKW	5405
2022846	GMC	HU042A	20289A	C-R	415035!	2031960	OSHKO	78048	204	UNIVE	472636!
202287	MICH	451948	20289D	IH	473232	2032	SEAMA	470059	204009	SPG	6590S
202287	UNIVE	451948*	2028D	GOODM	415449!	2032	SEAMA	470380!	204012	SPG	6906S
202299	UNIVE	473466	20290	C-R	51X90X8*	2032362	GMC	370012A	2040442	GMC	5957S
202300	MICH	473466	20290D	IH	473238	2032484	GMC	HU066A	2040443	GMC	5951
202300	UNIVE	472012	20292	C-R	51X92X8*	20324TA	TRSCM	412027	20405	C-R	1975
202301	MICH	472012	20292VBJ	TRSCM	8139	203277M1	MASSE	471554!	204051	KEN	415876
202306	MICH	450307	20292VBJ	TRSCM	9762S	2033	SEAMA	471424!	204051	PACIF	415876
202306	UNIVE	450307	2029409	GMC	370023A	20332A	C-R	415379	204075	NATL	204017
202308	FORD	471692!	2029409	GMC	417505	20332A	C-R	415379!	20408	C-R	1955
202312	UNIVE	450311	2029431	GMC	50560	20334TA	TRSCM	410102	20408	C-R	52X65X9!
202313	MICH	450311	202951	CUMMI	471763	20334TA	TRSCM	710007	2040H-7	JAE	470682
202318	UNIVE	416738!	202964	CUMMI	471795	2033618	GW	470954!	2040H24	JA-MI	415449!
202318	UNIVE	450096	202967	CUMMI	472164!	2033900	GW	471567!	2040H24	JAE	415449!
202319	MICH	416738!	202973	CUMMI	5026\$	2034	ALOY	8549S	2040H25	JA-MI	415995!
202319	MICH	450096	202974	CUMMI	J1141	2034224	GMC	AR6+370012A	2040H25	JAE	415995!
20232	VICK	474281!	202975	CUMMI	J1401 *=	2034225	GMC	370007A	2040H26	JA-MI	473205

! Industrial Size/Type *Minor Width Difference \$F-M Number Is Part Of A Kit
 =The U.S. customer service number is 877-4-TIMKEN. The Canadian customer service numbers are 800-565-4927 (English) and 800-565-0438 (French-Canadian).

Mfr. No.	Name	Zero Duplication or Recommended Industrial	Mfr. No.	Name	Zero Duplication or Recommended Industrial	Mfr. No.	Name	Zero Duplication or Recommended Industrial	Mfr. No.	Name	Zero Duplication or Recommended Industrial
2040H26	JAE	473205	20444	C-R	225230	20500	C-R	5686	206	CHEL	471224!
2040H7	JA-MI	470682	20444	C-R	52X72X8!	20500	C-R	5696	20600	C-R	472012
2041	LUF	415035!	2044444	GMC	254287	205002	SPG	200354	2060012	CHRY	455336
2041	LUF	415035	2044445	GMC	471570!	205005	CONTI	471733	20603	CALSO	472636!
2041/1043	STEM	370192A	20445	C-R	225230	20501	C-R	5685	20604	C-R	472012
20410007	TROS	471619!	2044531	GMC	40468	205012	KOHL	471649!	20604	CALSO	416426H=
204102	CONTI	417196!	2044540	GMC	418028	205020	NATL	204020	20605	C-R	472012
20410807	TROS	471785!	2044540	GMC	455137!	205020	NATL	204505!	2060510	GMC	470898
20411207	TROS	471354!	20446	C-R	5696	205020	SPG	204020	2060531	GMC	471649!
20411604	TROS	471787	20446	GARLK	471554!	205020	SPG	204505!	206072	ALLCH	330385!
20411607	TROS	224045	20447	C-R	710230	205058	SPG	90155	20608	C-R	6954S
20411607	TROS	40X62X12!	20448	C-R	710527	2051473	GMC	416892	20608	SPG	471267!
20412106	TROS	484054	20448	GARLK	471643!	20520	C-R	484064V	206086M1	MASSE	417134
20412406	TROS	472258!	20450	C-R	225275	205209A	TW-DI	416892!	2061	ALLOY	1945
20412407	TROS	470774!	204505	NATL	204020	20522	SPG	472258!	2061	C-R	471619!
20413204	TROS	480630	204507	NATL	204029	205273	FREIG	5481\$	206110	C-R	450129
20413207	TROS	480630!	20453	C-R	52X75X12!	205282	CINMI	415697!	206110	C-R	472826
20413604	TROS	7994S	20455	C-R	1884*	205282	CINMI	455547	206110	CLARK	450129
20413607	TROS	8421S	20455	C-R	710292*	205312JX	MICH	80313	206110	CLARK	472826!
2041497	GMC	370012A	204553	HARRI	416273!	205358A	HERCU	471538!	206110M1	C-R	450129
20415	C-R	52X69X10!	20456	VICK	471341!	20537	C-R	5877	206110M1	C-R	472826
204167H1	HOUGH	472636!	20458	GARLK	471567!	20538	C-R	5877	206112	C-R	470774!
204167H1	IH	472636!	2045996	GMC	417507	2054	SEAMA	470625!	206112M1	C-R	470774!
2041807	GMC	416282	20460	C-R	225278	20542	C-R	5877	206112Q6	C-R	470774!
2042	ALLOY	442874	204611	CINMI	472397!	205493	LK-BT	42352S	206116	C-R	480630!
20420	C-R	1955	204614A	HERCU	473241	2054BT	SPG	6358	206116M1	C-R	480630!
20420	C-R	52X65X9!	204617	CINMI	414045!	2054BT0	SPG	6358	20612	C-R	473420
20421	C-R	4990	204621	BENDI	50327	20554	C-R	451948*	206120	CLARK	471224!
20423	C-R	1884	204621	DIA	50327	20555	C-R	451948*	20614	C-R	471785
20423	C-R	52X68X8!	204621	IH	50327	20559	BR-WN	470059	20614K	CLARK	471785!
20424	C-R	52X68X8V!	20463	FMC	473237!	20559	BR-WN	470380!	20614M1	C-R	471785
20424	C-R	710190	204638	WILYS	6489	20560	C-R	4162	20615	C-R	473427
20425	C-R	3087	20465	C-R	710107	20561	C-R	473466	20616	C-R	471354!
20426	C-R	225220	20467	FMC	451078!	2056124	GMC	417505	20616A	CONTI	471354!
20426	C-R	52X68X8!	2046991	GMC	415458	2056401	GMC	471141!	20618	AT-PL	471787!
20427	C-R	4990	2047	ALLOY	473317	20568	C-R	473466	20618	C-R	471787
20427	GARLK	470954!	20470	C-R	52X80X10	205705	CINMI	472636!	20618M1	C-R	471787
204275SP	TRSCM	3087	2047159	GOODM	417316!	205705A	HERCU	471267!	20619	C-R	450124=
20428	C-R	225220	2047175	GOODM	415995!	205708	ALLCH	474278!	20619M1	C-R	471619!
20428	C-R	4990*	2047176	GOODM	417487	2057128	GMC	472394	20620	C-R	450307
20428	C-R	710312	2047232	GOODM	417205!	205714	CINMI	415023	206204	CLARK	473214!
20429	C-R	225275	2047260	GOODM	472157	205724	FWD	415035=	206205	CLARK	472185!
2042936	GMC	417171!	2047260	GOODM	472157!	205737	CINMI	416404!	20621	C-R	450307
204299	UNIVE	473467!	2047261	GOODM	472157!	205747	HERCU	455189	20621	VICK	412920!
2043	ALLOY	473445	2047261	GOODM	472157	205747B	HERCU	455189	206222	CLARK	471787!
2043	MINNM	205004	2047277	GOODM	415138!	2057480	GMC	370003A	206228	SEAMA	416664!
20430	C-R	225225	2047288	GOODM	417262!	2057761	GMC	412473!	206233	SEAMA	473214
20430	C-R	52X70X8!	20473	C-R	52X80X10!	2058	ALLOY	480630	206253SZ	TRSCM	332134
204300	MICH	473467	204731A	HERCU	471192	20582	C-R	473466	206253VSB	TRSCM	484064V
204300	UNIVE	472015!	204746	FWD	8126S	205821R91	IH	415697!	206257	CLARK	471765!
204300SL	MICH	473467	204771	BENDI	471553!	205821R91	IH	455547	2062667	GW	415234!
204301	MICH	472015!	204839	HERCU	455197N	205822R91	IH	473473	206273TL	TRSCM	473449
204306	MICH	410308!	204839B	HERCU	455197N	205823	OILGR	471554!	20628	C-R	450307
204306	UNIVE	410308!	2048471	GMC	476470	2058243	GMC	B300	2062844TL	TRSCM	5877
204306SLA	MICH	6180=	2048471	GMC	476470!	205834	ALLCH	50462	206284SA	TRSCM	451948
20431	C-R	4898	20488	GARLK	471643!	2058459	GMC	471733	20629	NORDG	471760
204312	UNIVE	472016	20489	VICK	471553!	20585	C-R	473466	206294TL	TRSCM	473446
204313	MICH	472016	2048D5	WHITE	415960	20586	C-R	473466	2063037B	TRSCM	472012
204318	UNIVE	472409!	2049	ALLOY	7687S	20590	C-R	472012	206303VB	TRSCM	6954S
204319	MICH	472409!	20490	C-R	52X85X7*	2059264	GMC	415995!	206306	UNIVE	473471
20432	C-R	710187	20490	C-R	52X85X8	20594	C-R	472012	2063063TL	TRSCM	450307
204325	MICH	473243	20493	VICK	472179	2059474	GMC	471796!	20631	C-R	450339
204325	UNIVE	473243	204939	BENDI	471466!	205952	ALLCH	471554!	206312	UNIVE	472020
204335	MICH	413469!	204949	BENDI	470625!	2059756	GMC	450084!	206318	UNIVE	470354
204335	UNIVE	413469!*	20495	C-R	52X85X7*	205976R91	IH	473459	2063192	GMC	450040
20434	C-R	225210	204971	BENDI	471526!	205987	ALLCH	472185!	2063220UB	TRSCM	80313
20435	C-R	52X72X8V	204A111X06.5C	TROS	7442H	20599	C-R	472012	206325	MICH	473245!
20439	C-R	225540	204E4248	FORD	470712!	205A12407	TROS	6760S	206325	UNIVE	473245!
204399	BENDI	450593!	204E7657	FORD	1097N	205B12306	TROS	51322	206335	MICH	412943
20440	C-R	225230	204VB7	MARI	415001!	205FF112	C-R	470774!	206335	UNIVE	412943*
20441	C-R	52X72X8V	205	C-R	5108	205VB7	MARI	415458!	206337	UNIVE	50798*
20442	C-R	225230	205	ROCKW	5406	205Z1	C-R	471619!	20635	C-R	450307

! Industrial Size/Type * Minor Width Difference \$F-M Number Is Part Of A Kit
 = The U.S. customer service number is 877-4-TIMKEN. The Canadian customer service numbers are 800-565-4927 (English) and 800-565-0438 (French-Canadian).

NUMERICAL INTERCHANGE

Mfr. No.	Name	Zero Duplication or Recommended Industrial	Mfr. No.	Name	Zero Duplication or Recommended Industrial	Mfr. No.	Name	Zero Duplication or Recommended Industrial	Mfr. No.	Name	Zero Duplication or Recommended Industrial
206364TA	TRSCM	455260	2067190	CHRY5	5499=	207	ROCKW	5410	207546	CLARK	416404!
20642	C-R	450307	2067191	CHRY5	5573	207	UNIVE	411245!	20756	TMTR	6590S
206426	ALLCH	473313	2067192	CHRY5	6818	2070	SEAMA	471835!	207565	CLARK	471835!
206428	CLARK	415001!	2067193	CHRY5	7537S	2070065	GOODM	J1115	2075665	GMC	6644
20643	C-R	450307	2067195	CHRY5	471193	207009	COOK	410737!	207570R91	IH	470954!
2064489	GMC	417506	2067198	CHRY5	8139	2070113	CHRY5	473235	20758	C-R	455260
206449	ALLCH	450456!	2067200	CHRY5	470059	20702	C-R	416738!	20759	C-R	455260*
206449	CLARK	416332!	2067200	CHRY5	470380!	20702	C-R	450096	2076	SEAMA	417211!
20644909	ALLCH	450456!	2067201	CHRY5	470059	2070639	GMC	471766!	2076132	GMC	415082
206450	ALLCH	415001!	2067201	CHRY5	470380!	2070779	GMC	415371	20762	FULLE	472311
20645007	ALLCH	415001!	2067204	CHRY5	473235	2070782	GMC	416865!	207640	CLARK	471192
2064731	GMC	370047A	2067206	CHRY5	6815	2070788	CHRY5	470487!	207644	CLARK	471835!
20650	C-R	450311	2067207	CHRY5	471835!	207085	CLARK	415498	2076549	GMC	471141!
2065073	TAYLR	55539=	2067208	CHRY5	473228	207086	GAL	471689!	207656	CLARK	471765!
2065078	TAYLR	417544	2067209	CHRY5	9568	207086	WHITE	471689!	20766	C-R	6077
20651	C-R	450311	2067211	CHRY5	5778	20711607.5	TROS	450177	207672	CLARK	471649!
2065366	GMC	415960	2067212	CHRY5	6930	20712007.5	TROS	473421	207693	CLARK	473016!
2065367	GMC	411253!	2067213	CHRY5	6930	2071215	GMC	100263	207699	CLARK	470605!
206538	ALLCH	471765!	2067214	CHRY5	7044NA	2071215	GMC	3905	207749	CLARK	471192
20653812	ALLCH	471765!	2067215	CHRY5	7994S	20712407.5	TROS	472287!	20775	VICK	412861
206545	CLARK	470898!	2067216	CHRY5	451182	20712412	TROS	472287!	207750	CLARK	471835!
206546	CLARK	411253!	2067218	CHRY5	7457N	2071250	GMC	471787!	2078	ALOY	4099
206547	CLARK	412871!	206722	CLARK	473447	20715	C-R	416738!	2078	SEAMA	415984!
206548	CLARK	415483!	206731	CLARK	470565!	20715	C-R	450096	2078026	GMC	370005A
206550	CLARK	470712!	20674	C-R	200110	20715	EATON	417316	207816	CLARK	470898
206552	CLARK	472258	206742	CLARK	411394!	20715	FULLE	417316	2078535	GMC	416654
206553	CLARK	471192	206775	CLARK	472144!	20715	GARLK	471646!	2079	ALOY	4249
206554	CLARK	471821!	20678	C-R	200110*	207153	FREIG	5405\$	207919	CLARK	450398
206556	CLARK	470898	20678	GARLK	471267!	20716	C-R	416738!	207919	CLARK	471267!
206557	CLARK	472636!	206785	ALLCH	471554!	20716	EATON	470625!	20793	FMC	471192
206558	CLARK	472636!	206786	ALLCH	473215!	20716	FULLE	470625	207948	CLARK	472439
206559	CLARK	470712!	206789	ALLCH	473215!	207190	CLARK	473243	207960	WILYS	410059
206560	CLARK	471554!	206791	ALLCH	473238	2071Y	IH	7600S	207960	WILYS	470380!
206561	CLARK	470059	206801	CLARK	410737!	2072	SEAMA	415036	20798	SEAMA	473517!
206561	CLARK	470380!	2068106	GMC	472636!	2072055	CHRY5	340797	2079836	GMC	415437
206563	CLARK	471765!	206834	CLARK	472560N	2072056	CHRY5	240731	2079836	GMC	415437!
206564	CLARK	471766!	206840	ALLCH	472636!	2072707	CHRY5	41257!	207993	ALLCH	471835!
206565	CLARK	471835!	206849	CLARK	55193=	2072707	FORD	41257!	2079SR	OSHKO	470059
206566	CLARK	417267	206850	CLARK	472924!	207273	CLARK	470530!	2079SR	OSHKO	470380!
206569	CLARK	472354!	2068504	GMC	472394	20728	C-R	416738!	207A	CHEL	471267!
206570	CLARK	470898	206864	CLARK	470898	20728	C-R	450096	207VB7	MARI	416865!
206571	CLARK	471141!	2068682	GMC	472636!	20729	C-R	416738!	208	BUSHH	6906S
206572	CLARK	470898	2068683	GMC	415449!	20729	C-R	450096	208	C-R	5111
206574	CLARK	472258	20687	C-R	416738!	2073	ALOY	3747	208	C-R	5111S
206575	CLARK	472636!	20687	C-R	450096	20730	GARLK	470590	208	ROCKW	5452
2065760	GWI	473459	20687	GARLK	471570!	2073173	FLXIB	370036A	208	SEAMA	455375=
206578	ALLCH	471766!	206889	C-R	416738!	2073173	GMC	370036A	208	UNIVE	415449!
20658	C-R	450311	20689	C-R	450096	2073173	GMC	370349A	208069	CUMMI	417621
20659	C-R	450311	206893	CLARK	413248	20731A	C-R	415483!	20807	FULLE	713750
206593	CLARK	471763	20690	C-R	416738!	20735	C-R	80313	20807	SEAMA	471870!
2065OS	JN-MN	471549!	20690	C-R	450096	2073613	GMC	471271!	20809D	IH	416921!
2066126	GMC	417487!	206948	CUMMI	473285V=	2074	SEAMA	55367=	2081	ALOY	3677
2066126	GMC	417487	20697	C-R	416738!	20741	C-R	450313	20811207	TROS	1077=
2066157	GMC	472924!	20697	C-R	450096	207418	CLARK	340771	20811605	TROS	1070=
2066184	GMC	473238	20698	C-R	416738!	20742	C-R	450313	20811607	TROS	471795
206648	CLARK	470059	20698	C-R	450096	2074449	GMC	417507	20812007	TROS	473211!
206648	CLARK	470380!	206A	CHEL	480210!	2074449	GMC	417507!	20812404	TROS	455576!
20669	C-R	5756	206FF112	C-R	470774!	2074702	GMC	416107!	20812405	TROS	471192
2067088	GMC	410987!	206VB7	MARI	411376!	2074702	GMC	455073	20812406	TROS	471192
206714	CLARK	415458!	206W110	C-R	450129	2074786	GMC	472354!	20812407	TROS	471192
2067175	CHRY5	331301N	206W110	C-R	472826	20748	C-R	450313	20812410	TROS	471192
2067176	CHRY5	40369S	206W110M1	C-R	450129	207483	CLARK	470565!	20812807	TROS	473224!
2067178	CHRY5	5589	206W110M1	C-R	472826	20749	C-R	450313*	20813207	TROS	473227
2067179	CHRY5	471821!	206W112	C-R	470774!	20750	C-R	450532	20814004	TROS	481181!
2067181	CHRY5	6064	206W112-T8	C-R	470774!	20752	C-R	450343	208147	ALLCH	473197
2067182	CHRY5	6985	206W14	C-R	471785	207523	CINMI	415124	2081839	GMC	5957S
2067183	CHRY5	7107A=	206W14M1	C-R	471785	207523	CLARK	471765!	2082	ALOY	8314
2067184	CHRY5	7107A=	206W18	C-R	471787	2075286	GMC	471141!	2082924	GMC	415007
2067185	CHRY5	7934S	206W18M1	C-R	471787	207529	CLARK	470712!	2082925	GMC	473464!
2067186	CHRY5	450666	207	C-R	5390	207537R91	IH	473459	2082925	GMC	473464
2067187	CHRY5	5458	207	CHEL	471231!	20754	C-R	450343	2082926	GMC	415458
2067188	CHRY5	5458	207	IH	471231!	207545	CLARK	50266	2083	ALOY	3543

! Industrial Size/Type *Minor Width Difference \$F-M Number Is Part Of A Kit
 =The U.S. customer service number is 877-4-TIMKEN. The Canadian customer service numbers are 800-565-4927 (English) and 800-565-0438 (French-Canadian).

Mfr. No.	Name	Zero Duplication or Recommended Industrial	Mfr. No.	Name	Zero Duplication or Recommended Industrial	Mfr. No.	Name	Zero Duplication or Recommended Industrial	Mfr. No.	Name	Zero Duplication or Recommended Industrial
208306	UNIVE	473473	2092491	GMC	417171!	20X35X7SC	TRSCM	20X35X7!	21028	GARLK	471689!
208312	UNIVE	471138!	20926	C-R	6590S*	20X35X7TC	TRSCM	20X35X7!	2102985X	GRAM	471785!
208318	UNIVE	410737!	20927	IDEAL	35127	20X36X7SC	TRSCM	20X36X7	2102986X	GRAM	471835!
208325	MICH	472636!	209273	VHYY TRSCM	6590S	20X36X7TC	TRSCM	20X36X7	2102987X	GRAM	471141!
208325	UNIVE	472636!	2092767	GMC	6703S	20X37X7ASN(32)	ISP	20X37X7	2102SK	SPG	2102
208335	MICH	411253!	2093	ALOY	1984	20X37X8	SIMRT	20X37X8	2103	ALOY	1177
208335	UNIVE	411253!	209312	VH TRSCM	40973S	20X37X8SC	TRSCM	20X37X8	21030	GARLK	471689!
208337	MICH	412920!	2093289	GMC	412473!	20X37X8TC	TRSCM	20X37X8	2103027X	GRAM	473227
208348	HYST	450400	209341	TW-CO	471765!	20X38X7SC	TRSCM	20X38X7	2103074X	GRAM	471192
208348	MICH	455136	209354	WILYS	9613S	20X38X7TC	TRSCM	20X38X7	2103075X	GRAM	473228!
208350	MICH	411376!	20938	C-R	6590S	20X40X10SC	TRSCM	20X40X10	2103076X	GRAM	480491
208350	UNIVE	411376!	2093940	GMC	473473	20X40X10TC	TRSCM	20X40X10	2103078X	GRAM	472179
208362	MICH	415234!	2093H	SPG	2093H=	20X40X7SC	TRSCM	20X40X7	2103080X	GRAM	240119
208362	UNIVE	415234!*	2094	ALOY	417158	20X40X7TC	TRSCM	20X40X7	2103223X	GRAM	415449!
208370	CLARK	330385!	2094257	GMC	471267!	20X42X10SC	TRSCM	20X42X10	2103224X	GRAM	415302
208375	UNIVE	415259!	2094297	GMC	472258	20X42X10TC	TRSCM	20X42X10	2103226	GMC	415371
208385	CLARK	472636!	209440	CLARK	473449!	20X42X7SC	TRSCM	20X42X7	2103226X	GRAM	472636!
208417	ALLCH	473197	209440	GAL	473449	20X42X7TC	TRSCM	20X42X7	2103227	GMC	416865!
2084190	GMC	410987!	2094440	GMC	370008A	20X47X7SC	TRSCM	20X47X7	210325	MICH	411394!
208432	CINMI	415645!	20946	C-R	6590S	20X47X7TC	TRSCM	20X47X7	210325	UNIVE	411394!
208432	CINMI	455104	2095	ALOY	3732S	20X52X7SC	TRSCM	20X52X7	21033	JOY	472492!
208436	ALLCH	471835!	2095	UNIVE	414045!	20X52X7TC	TRSCM	20X52X7	210335	MICH	410694!
2084411	CHRYSL	5576	209501	CLARK	417344!	210	C-R	2297V+99599	210335	UNIVE	410694!*
208458	WAUKE	470898=	20952	C-R	6590S	210	C-R	39807	210336	KOHL	470328
2084868	GMC	415458!	2095463	GMC	50199S!	210	C-R	39807+99599	210336	KOHL	481213!
208488	CLARK	471466!	2095463	GMC	6863S!	210	UNIVE	415458!	210350	MICH	416444
208494	CLARK	471504!	2095539	GMC	240319	21000707	GMC	324204	210350	UNIVE	416444
2085247	FLXIB	470059	209557M1	MASSE	473229	21000708	GMC	327995	210354	UNIVE	455647=
2085247	FLXIB	470380!	209562M1	MASSE	410737!	21000708	GMC	4307V	21036	EATON	713750
2085247	GMC	470059	209564	CLARK	415995!	21001111	GMC	714662	2103RC	SUL	417316!
2085247	GMC	470380!	209587	CLARK	412119	21001532	GMC	718610	2104	ALOY	473238
2085249	GMC	417484!	209587	MIXMO	412119!	21001660	GM	4615V	21040	C-R	2002
208526	WAUKE	416888=	2096	ALOY	8312	21001662	GMC	714616	21040	C-R	54X65X8!
208538	CLARK	470530!	2096	SEAMA	415138!	21002282	GM	4614N	21040	GARLK	471733
2085764	GMC	455080*	20960	C-R	40627S=	21002283	GM	4613N	21041	C-R	2002
208579	CUMMI	415937	2096046	GMC	415088	21002669	GM	4613N	2104221	GMC	415371
2085RC	SUL	481073	209623	CLARK	415449	21002670	GM	4613N	2104222	GMC	416865!
208623	JEFF	415001!	2096357	GMC	471787!	21002741	GM	4615V	210431	FWD	473238
208633C1	IH	472642	2096367	GMC	417553!	21002778	GM	718610	21045	C-R	710073
208633C1	ROCKW	472642*	20965	C-R	40973S*	21002853	GM	4701N=	21048	C-R	225410
208711	ALLCH	473197	2096658	GMC	472164!	21002853	GMC	4701N=	21050	C-R	6090S
208714	ALLCH	473197	2096RC	SUL	473242	21002872	GM	4613N	2105042	GMC	472636!
208742	CLARK	472636!	2097	CHEL	472164!	21002872	GMC	4613N	21051	HYST	471763
208746	WILYS	5585\$	20975	C-R	40973S	21002873	GM	4614N	2105131	GMC	455151
208748	WILYS	5585\$	20977	CONTI	240007=	21002873	GMC	4614N	21052	C-R	710239
208763	CLARK	6241S	209778	CLARK	415483!	21003352	GM	4613N	210544R91	IH	5406
208788	CLARK	415995!	209788	CLARK	415995!	21003352	GMC	4613N	21055	C-R	6090S
2088	ALOY	4072	2098	CHEL	473228	21003354	GMC	4614N	21059	C-R	473204*
208814	HYST	415090	2098550	GMC	417344!	210039	ALLCH	415449!	21060	C-R	473204
208821R91	IH	417082	2098753	GMC	418028	21003902	ALLCH	415449!	21061	C-R	473204
2089	ALOY	224820	2098753	GMC	455137!	21003R1	IH	OK223	2106108	CLARK	416422
20894	JOY	471785!	209907	WILYS	471787	21004	GARLK	471224!	210612	CLARK	471271!
208986	H-S	470530!	209979	CLARK	473463	21004	US-EL	470712!	210616	FWD	471649!
208A	CHEL	471466!	2099RC	SUL	470334!	210063	GMC	472924!	21063	C-R	473204
208VB7	MARI	455079!	209VB7	MARI	415302	21007	US-EL	472185!	21064	C-R	471950
209	C-R	5112	20A500	LAVIN	40526S	2100863	GMC	415960	21065	C-R	41013S
209	C-R	5112S	20H1160	MINNM	204002	2100864	GMC	411253!	2106680	CLARK	417544* =
209	UNIVE	415988*	20J	OSHO	473367!	210098	WAYNE	455336	2106808	CLARK	416112N=
2090	ALOY	9316	20J	OSHO	473367	21009B	WAYNE	455336	2106846	CLARK	JV1999=
2090146	GMC	370023A	20RL204	CONTI	470530!	21010	C-R	410308!	2106850	CLARK	417545
2090539	GMC	240435	20RL294	CONTI	470530!	210107	HYST	473458!	21069	C-R	5589\$
20906	C-R	710175	20RL294	KEN	470530!	210108	HYST	471689!	2106900	CLARK	710024
20907D	IH	450593!	20X28X6SC	TRSCM	20X28X6	210124	WAYNE	473448	21070	C-R	5589
209090	HYST	471504	20X28X6TC	TRSCM	20X28X6	21014	WOODB	471730	2107025	CLARK	370038A*
2091	STEM	370106A	20X30X5A	ISP	20X30X5	21015	VICK	471787!	210712	BENDI	471766!
2091	STEM	9128S	20X30X7SC	TRSCM	20X30X7	2101688	FMC	240735	21072	C-R	450639*
20915	C-R	340900	20X30X7TC	TRSCM	20X30X7	2102	ALOY	4302	2107282	CLARK	472660
209158	CLARK	471766=	20X32X7SC	TRSCM	20X32X7	21020	GARLK	471649!	21073	C-R	470898
2091906	GMC	471887	20X32X7TB	TRSCM	20X32X7	2102101X	GRAM	410308!	2107356	CLARK	370149A*
2092	ALOY	1994	20X32X7TC	TRSCM	20X32X7	21024015A	HARWA	210X240X15	2107358	CLARK	370166A*
20920	C-R	41013S	20X35X7	NATL	1963	21025015A	HARWA	210X250X15	210737	EATON	416654
20920	FULLE	415991	20X35X7SB	TRSCM	20X35X7!	210256	ALLCH	45013S	2107379	CL-HU	417545=

! Industrial Size/Type * Minor Width Difference \$F-M Number Is Part Of A Kit
 = The U.S. customer service number is 877-4-TIMKEN. The Canadian customer service numbers are 800-565-4927 (English) and 800-565-0438 (French-Canadian).

NUMERICAL INTERCHANGE

Mfr. No.	Name	Zero Duplication or Recommended Industrial	Mfr. No.	Name	Zero Duplication or Recommended Industrial	Mfr. No.	Name	Zero Duplication or Recommended Industrial	Mfr. No.	Name	Zero Duplication or Recommended Industrial
210737R91	IH	472409!	21086-2251	GARLK	456105	21086-2358	GARLK	455026*	21086-2463	GARLK	415379
210738R91	IH	415007	21086-2252	GARLK	417490*	21086-2359	GARLK	455026*	21086-2464	GARLK	415379
21074	C-R	470898	21086-2253	GARLK	417490*	21086-2363	GARLK	455471*	21086-2464	GARLK	415379!
21075	C-R	470898	21086-2254	GARLK	417490	21086-2364	GARLK	455471*	21086-2465	GARLK	417205!
21076	C-R	450639	21086-2255	GARLK	455336*	21086-2365	GARLK	455471*	21086-2466	GARLK	417205!*
2107639	GRAM	471391!	21086-2256	GARLK	455336*	21086-2366	GARLK	415991	21086-2467	GARLK	417205!
2107640	GRAM	473463	21086-2257	GARLK	455336*	21086-2366	GARLK	455146!	21086-2468	GARLK	416339
2107642	GRAM	471141!	21086-2260	GARLK	6358	21086-2367	GARLK	415991	21086-2469	GARLK	416339
2107643	GRAM	450463	21086-2261	GARLK	417490	21086-2367	GARLK	455146!	21086-2469	GARLK	455031!
2107662	CLARK	415076* =	21086-2267	GARLK	455022*	21086-2368	GARLK	415991	21086-2470	GARLK	416339*
2107687	GRAM	471766!	21086-2268	GARLK	455022*	21086-2368	GARLK	455146!	21086-2474	GARLK	415150!*
21077	US-EL	413248	21086-2269	GARLK	455022*	21086-2369	GARLK	417196!*	21086-2475	GARLK	415150!*
2107720	CLARK	4144V =	21086-2270	GARLK	476470	21086-2370	GARLK	417196!*	21086-2476	GARLK	415150!*
21079	C-R	470898	21086-2271	GARLK	476470	21086-2371	GARLK	417196!*	21086-2477	GARLK	416127
2107RC	SUL	416892!	21086-2272	GARLK	476470	21086-2372	GARLK	415437	21086-2480	GARLK	417503*
2108	HWY	417494	21086-2273	GARLK	417181!	21086-2373	GARLK	415437	21086-2484	GARLK	417504*
2108093	CLARK	417904N* =	21086-2274	GARLK	417181!*	21086-2373	GARLK	415437!	21086-2485	GARLK	417504
21081005034	RENAU	713155	21086-2275	GARLK	417181!	21086-2374	GARLK	415437	21086-2486	GARLK	455032!*
21082	C-R	470898*	21086-2276	GARLK	418028	21086-2374	GARLK	415437!	21086-2487	GARLK	455032!*
21082	C-R	470898	21086-2276	GARLK	455137!	21086-2375	GARLK	417198*	21086-2488	GARLK	455032!*
210834	CUMMI	472409	21086-2277	GARLK	418028	21086-2376	GARLK	417198*	21086-2492	GARLK	455189*
21084	C-R	470898*	21086-2277	GARLK	455137!	21086-2377	GARLK	417198	21086-2493	GARLK	455189*
2108446	CLARK	4353	21086-2278	GARLK	418028	21086-2378	GARLK	415027	21086-2494	GARLK	455189*
2108457	CLARK	370087A*	21086-2278	GARLK	455137!	21086-2379	GARLK	415027	21086-2501	GARLK	417211!
21086	C-R	470898!	21086-2279	GARLK	417353!	21086-2379	GARLK	415027!	21086-2502	GARLK	417211!*
21086-2174	GARLK	415995!	21086-2280	GARLK	417353!*	21086-2380	GARLK	415027	21086-2503	GARLK	417211!*
21086-2177	GARLK	417351!	21086-2281	GARLK	417353!*	21086-2381	GARLK	417495*	21086-2504	GARLK	416345!
21086-2178	GARLK	417351!	21086-2282	GARLK	456305	21086-2382	GARLK	417495*	21086-2505	GARLK	416345!
21086-2180	GARLK	417487	21086-2284	GARLK	416865!	21086-2383	GARLK	417495	21086-2505	GARLK	455033
21086-2180	GARLK	417487!	21086-2288	GARLK	415023	21086-2384	GARLK	415559*	21086-2506	GARLK	416345!
21086-2181	GARLK	417487	21086-2289	GARLK	415023	21086-2385	GARLK	415559*	21086-2506	GARLK	455033
21086-2182	GARLK	417487	21086-2290	GARLK	415023	21086-2386	GARLK	415559*	21086-2507	GARLK	415697!
21086-2183	GARLK	417488!	21086-2294	GARLK	455328*	21086-2390	GARLK	417496*	21086-2507	GARLK	455547
21086-2184	GARLK	417488!*	21086-2295	GARLK	455328*	21086-2391	GARLK	417496	21086-2508	GARLK	415697!
21086-2185	GARLK	417488!	21086-2296	GARLK	455328*	21086-2392	GARLK	417496*	21086-2508	GARLK	455547
21086-2186	GARLK	415088	21086-2298	GARLK	417491*	21086-2393	GARLK	415711*	21086-2509	GARLK	415697!
21086-2187	GARLK	415088	21086-2299	GARLK	417491	21086-2394	GARLK	415711*	21086-2509	GARLK	455547
21086-2187	GARLK	415088!	21086-2300	GARLK	415085!	21086-2395	GARLK	415711*	21086-2510	GARLK	417366!
21086-2188	GARLK	455019!	21086-2300	GARLK	456648	21086-2396	GARLK	417497*	21086-2511	GARLK	417366!*
21086-2189	GARLK	55548	21086-2306	GARLK	416313	21086-2397	GARLK	417497*	21086-2512	GARLK	417366!*
21086-2195	GARLK	455820*	21086-2307	GARLK	416313*	21086-2398	GARLK	417497	21086-2513	GARLK	415958
21086-2198	GARLK	455019!*	21086-2308	GARLK	416313	21086-2399	GARLK	417498*	21086-2513	GARLK	415958
21086-2199	GARLK	455019!*	21086-2312	GARLK	455024	21086-2400	GARLK	417498*	21086-2516	GARLK	417505
21086-2200	GARLK	455019!*	21086-2313	GARLK	455024*	21086-2401	GARLK	417498	21086-2519	GARLK	476470!
21086-2201	GARLK	55155* =	21086-2314	GARLK	455024*	21086-2402	GARLK	55028*	21086-2519	GARLK	476470
21086-2202	GARLK	55155 =	21086-2321	GARLK	412473!	21086-2417	GARLK	416332!	21086-2520	GARLK	415034!
21086-2203	GARLK	55155* =	21086-2322	GARLK	412473!	21086-2418	GARLK	416332!	21086-2521	GARLK	476470!
21086-2204	GARLK	455015*	21086-2323	GARLK	412473!	21086-2419	GARLK	416332!	21086-2521	GARLK	476470
21086-2205	GARLK	455015*	21086-2324	GARLK	417191	21086-2420	GARLK	415937!	21086-2525	GARLK	455191*
21086-2206	GARLK	455015	21086-2324	GARLK	455165!	21086-2421	GARLK	415937!	21086-2527	GARLK	455191*
21086-2210	GARLK	55141*	21086-2325	GARLK	417191	21086-2422	GARLK	415937!	21086-2528	GARLK	415263
21086-2211	GARLK	55141*	21086-2325	GARLK	455165!	21086-2423	GARLK	417355!	21086-2529	GARLK	415263*
21086-2212	GARLK	55141*	21086-2326	GARLK	417191	21086-2424	GARLK	417355!*	21086-2530	GARLK	415263*
21086-2222	GARLK	455020*	21086-2326	GARLK	455165!	21086-2425	GARLK	417355!	21086-2531	GARLK	417506*
21086-2225	GARLK	417621!	21086-2327	GARLK	417354!*	21086-2426	GARLK	416125!	21086-2532	GARLK	417506
21086-2226	GARLK	417621!	21086-2328	GARLK	417354!*	21086-2427	GARLK	416125!*	21086-2533	GARLK	417506*
21086-2227	GARLK	417621!	21086-2329	GARLK	417354!	21086-2428	GARLK	416125!*	21086-2537	GARLK	415035
21086-2228	GARLK	416288!	21086-2330	GARLK	416321	21086-2432	GARLK	417499	21086-2538	GARLK	415035!
21086-2229	GARLK	416288!*	21086-2336	GARLK	415025	21086-2435	GARLK	415832	21086-2538	GARLK	415035
21086-2230	GARLK	416288!*	21086-2337	GARLK	415025*	21086-2441	GARLK	417501*	21086-2539	GARLK	415035!
21086-2231	GARLK	417171!*	21086-2338	GARLK	415025*	21086-2442	GARLK	417501*	21086-2540	GARLK	417356!
21086-2232	GARLK	417171!*	21086-2342	GARLK	416327	21086-2443	GARLK	417501	21086-2540	GARLK	455188
21086-2233	GARLK	417171!	21086-2345	GARLK	417492*	21086-2447	GARLK	55030*	21086-2541	GARLK	417356!
21086-2234	GARLK	417172*	21086-2346	GARLK	417492*	21086-2448	GARLK	55030*	21086-2541	GARLK	455188
21086-2235	GARLK	417172*	21086-2347	GARLK	417492	21086-2449	GARLK	55030*	21086-2542	GARLK	417356!
21086-2236	GARLK	417172*	21086-2348	GARLK	417493*	21086-2450	GARLK	55646 =	21086-2542	GARLK	455188
21086-2237	GARLK	416297*	21086-2349	GARLK	417493*	21086-2453	GARLK	416670*	21086-2543	GARLK	417357
21086-2246	GARLK	415021	21086-2350	GARLK	417493	21086-2454	GARLK	416670*	21086-2543	GARLK	455192!
21086-2247	GARLK	415021*	21086-2354	GARLK	417494*	21086-2455	GARLK	416670*	21086-2544	GARLK	417357
21086-2248	GARLK	415021*	21086-2355	GARLK	417494*	21086-2459	GARLK	417502*	21086-2544	GARLK	455192!
21086-2249	GARLK	456105*	21086-2356	GARLK	417494	21086-2462	GARLK	415379	21086-2545	GARLK	417357
21086-2250	GARLK	456105*	21086-2357	GARLK	455026*	21086-2462	GARLK	415379!	21086-2546	GARLK	416130!

! Industrial Size/Type * Minor Width Difference

= The U.S. customer service number is 877-4-TIMKEN. The Canadian customer service numbers are 800-565-4927 (English) and 800-565-0438 (French-Canadian).

Mfr. No.	Name	Zero Duplication or Recommended Industrial	Mfr. No.	Name	Zero Duplication or Recommended Industrial	Mfr. No.	Name	Zero Duplication or Recommended Industrial	Mfr. No.	Name	Zero Duplication or Recommended Industrial
21086-2547	GARLK	416130!*	21086-2677	GARLK	416137	21086-2787	GARLK	417534*	21086-2924	GARLK	417278
21086-2548	GARLK	416130!*	21086-2678	GARLK	417518*	21086-2788	GARLK	417534	21086-2926	GARLK	417278
21086-2549	GARLK	415036*	21086-2679	GARLK	417518*	21086-2792	GARLK	457585*	21086-2927	GARLK	417541
21086-2550	GARLK	415036	21086-2680	GARLK	417518	21086-2798	GARLK	416156	21086-2928	GARLK	417541*
21086-2551	GARLK	415036*	21086-2681	GARLK	415058*	21086-2799	GARLK	416156	21086-2929	GARLK	417541
21086-2552	GARLK	417507	21086-2682	GARLK	415058	21086-2801	GARLK	415371	21086-2933	GARLK	417542*
21086-2553	GARLK	417507*	21086-2683	GARLK	415058*	21086-2802	GARLK	415371	21086-2934	GARLK	417542*
21086-2554	GARLK	417507*	21086-2684	GARLK	456141	21086-2803	GARLK	415371*	21086-2935	GARLK	417542
21086-2555	GARLK	415041*	21086-2687	GARLK	455197N*	21086-2804	GARLK	455685*	21086-2936	GARLK	417543*
21086-2556	GARLK	415041	21086-2688	GARLK	455197N	21086-2805	GARLK	455685*	21086-2937	GARLK	417543*
21086-2557	GARLK	415041*	21086-2689	GARLK	455197N*	21086-2806	GARLK	455685	21086-2938	GARLK	417543
21086-2561	GARLK	417509*	21086-2693	GARLK	417520*	21086-2807	GARLK	416158*	21086-2941	GARLK	417544
21086-2562	GARLK	417509*	21086-2694	GARLK	417520	21086-2808	GARLK	416158*	21086-2951	GARLK	417545*
21086-2563	GARLK	417509	21086-2695	GARLK	417520*	21086-2809	GARLK	416158	21086-2960	GARLK	455290*
21086-2567	GARLK	417223*	21086-2699	GARLK	416144*	21086-2813	GARLK	415064*	21086-2961	GARLK	455290*
21086-2568	GARLK	417223	21086-2700	GARLK	416144*	21086-2814	GARLK	415064	21086-2962	GARLK	455290
21086-2569	GARLK	417223*	21086-2701	GARLK	416144	21086-2815	GARLK	415064*	21086-2990	GARLK	416557
21086-2573	GARLK	55193* =	21086-2705	GARLK	417238	21086-2819	GARLK	415284*	21086-2992	GARLK	416557
21086-2574	GARLK	55193* =	21086-2711	GARLK	415196!*	21086-2820	GARLK	415284	21086-2993	GARLK	417258*
21086-2575	GARLK	55193* =	21086-2712	GARLK	415196!	21086-2821	GARLK	415284*	21086-2996	GARLK	417546!*
21086-2579	GARLK	455037*	21086-2713	GARLK	415196!*	21086-2825	GARLK	417535	21086-2997	GARLK	417546!*
21086-2580	GARLK	455037	21086-2717	GARLK	415047*	21086-2826	GARLK	417535*	21086-2998	GARLK	417546!
21086-2581	GARLK	455037*	21086-2718	GARLK	415047	21086-2827	GARLK	417535	21086-2999	GARLK	417547*
21086-2600	GARLK	417511	21086-2719	GARLK	415047*	21086-2831	GARLK	417536	21086-3000	GARLK	417547*
21086-2601	GARLK	417511*	21086-2723	GARLK	416149*	21086-2832	GARLK	417536	21086-3001	GARLK	417547
21086-2602	GARLK	417511	21086-2724	GARLK	416149*	21086-2833	GARLK	417536*	21086-3003	GARLK	417548
21086-2603	GARLK	415142*	21086-2725	GARLK	416149	21086-2834	GARLK	417537	21086-3032	GARLK	417548*
21086-2604	GARLK	415142*	21086-2726	GARLK	417522	21086-2835	GARLK	417537*	21086-3033	GARLK	417548*
21086-2605	GARLK	415142*	21086-2729	GARLK	415060*	21086-2836	GARLK	417537	21086-3034	GARLK	417548
21086-2609	GARLK	417512*	21086-2729	GARLK	455060*	21086-2837	GARLK	415138!*	21086-3059	GARLK	417262!
21086-2610	GARLK	417512	21086-2730	GARLK	415060	21086-2838	GARLK	415138!	21086-3060	GARLK	417262!
21086-2611	GARLK	417512*	21086-2730	GARLK	455060	21086-2839	GARLK	415138!*	21086-3061	GARLK	417262!
21086-2615	GARLK	415043*	21086-2731	GARLK	415060*	21086-2840	GARLK	417538*	21086-3062	GARLK	417358
21086-2616	GARLK	415043	21086-2731	GARLK	455060*	21086-2842	GARLK	417538	21086-3065	GARLK	415645!
21086-2617	GARLK	415043*	21086-2732	GARLK	55199* =	21086-2843	GARLK	417247!	21086-3066	GARLK	455104
21086-2621	GARLK	455203*	21086-2733	GARLK	55199 =	21086-2844	GARLK	417247!*	21086-3066	GARLK	415645!
21086-2622	GARLK	455203*	21086-2734	GARLK	55199* =	21086-2845	GARLK	417247!	21086-3066	GARLK	455104
21086-2623	GARLK	455203	21086-2738	GARLK	417525*	21086-2846	GARLK	417252*	21086-3067	GARLK	415645!
21086-2627	GARLK	455056*	21086-2739	GARLK	417525	21086-2847	GARLK	417252*	21086-3067	GARLK	455104
21086-2628	GARLK	455056	21086-2740	GARLK	417525*	21086-2848	GARLK	417252	21086-3068	GARLK	417359
21086-2629	GARLK	455056*	21086-2744	GARLK	417526*	21086-2849	GARLK	415066*	21086-3070	GARLK	417359
21086-2630	GARLK	455194*	21086-2745	GARLK	417526*	21086-2850	GARLK	415066	21086-3071	GARLK	417549!*
21086-2631	GARLK	455194*	21086-2746	GARLK	417526	21086-2851	GARLK	415066*	21086-3095	GARLK	417550
21086-2632	GARLK	455194*	21086-2750	GARLK	415351!*	21086-2858	GARLK	416163*	21086-3096	GARLK	417550*
21086-2636	GARLK	417513*	21086-2751	GARLK	415351!	21086-2859	GARLK	416163*	21086-3097	GARLK	417550
21086-2637	GARLK	417513	21086-2752	GARLK	415351!*	21086-2860	GARLK	416163	21086-3122	GARLK	417551
21086-2638	GARLK	417513*	21086-2753	GARLK	416888!	21086-2864	GARLK	456890	21086-3123	GARLK	417551*
21086-2642	GARLK	417514*	21086-2754	GARLK	416888!	21086-2865	GARLK	456890	21086-3124	GARLK	417551
21086-2643	GARLK	417514	21086-2755	GARLK	416888!	21086-2866	GARLK	456890	21086-3125	GARLK	455576!
21086-2644	GARLK	417514*	21086-2756	GARLK	416153!	21086-2873	GARLK	416167!	21086-3126	GARLK	455576!*
21086-2648	GARLK	417515*	21086-2757	GARLK	416153!	21086-2874	GARLK	416167!	21086-3127	GARLK	455576!
21086-2654	GARLK	417516	21086-2758	GARLK	416153!	21086-2875	GARLK	416167!	21086-3128	GARLK	415938*
21086-2655	GARLK	417516	21086-2759	GARLK	416892!	21086-2876	GARLK	417267*	21086-3129	GARLK	415938*
21086-2656	GARLK	417516*	21086-2760	GARLK	416892!	21086-2877	GARLK	417267*	21086-3130	GARLK	415938
21086-2657	GARLK	472157!	21086-2761	GARLK	416892!*	21086-2878	GARLK	417267	21086-3131	GARLK	417554!*
21086-2657	GARLK	472157	21086-2762	GARLK	417531	21086-2879	GARLK	417269!	21086-3132	GARLK	417554!*
21086-2658	GARLK	472157!	21086-2765	GARLK	416154!*	21086-2880	GARLK	417269!	21086-3133	GARLK	417554!
21086-2658	GARLK	472157	21086-2766	GARLK	416154!*	21086-2881	GARLK	417269!	21086-3155	GARLK	55357*
21086-2659	GARLK	416556!	21086-2767	GARLK	416154!	21086-2894	GARLK	417539!*	21086-3156	GARLK	55357*
21086-2659	GARLK	472157	21086-2768	GARLK	416070	21086-2900	GARLK	417273*	21086-3157	GARLK	55357
21086-2660	GARLK	415196!	21086-2769	GARLK	416070	21086-2901	GARLK	417273*	21086-3176	GARLK	417254*
21086-2661	GARLK	415196!*	21086-2770	GARLK	416070*	21086-2902	GARLK	417273*	21086-3177	GARLK	417254*
21086-2662	GARLK	415196!*	21086-2771	GARLK	415351!	21086-2903	GARLK	417540*	21086-3178	GARLK	417254
21086-2663	GARLK	416891!	21086-2772	GARLK	415351!	21086-2904	GARLK	417540*	21086-3179	GARLK	417360
21086-2664	GARLK	416891!	21086-2773	GARLK	415351!	21086-2905	GARLK	417540	21086-3180	GARLK	417360
21086-2665	GARLK	416891!*	21086-2774	GARLK	417532*	21086-2915	GARLK	415725!	21086-3181	GARLK	417360
21086-2666	GARLK	416135!	21086-2775	GARLK	417532*	21086-2916	GARLK	415725!*	21086-3182	GARLK	416107!
21086-2669	GARLK	415045!*	21086-2776	GARLK	417532	21086-2917	GARLK	415725!	21086-3183	GARLK	416107!
21086-2670	GARLK	415045!	21086-2780	GARLK	417533*	21086-2918	GARLK	417584*	21086-3183	GARLK	455073
21086-2671	GARLK	415045!*	21086-2781	GARLK	417533	21086-2921	GARLK	416865!	21086-3184	GARLK	416107!
21086-2675	GARLK	416137*	21086-2782	GARLK	417533*	21086-2922	GARLK	416865!	21086-3184	GARLK	455073
21086-2676	GARLK	416137*	21086-2786	GARLK	417534*	21086-2923	GARLK	416865!	21086-3185	GARLK	417361

! Industrial Size/Type * Minor Width Difference

= The U.S. customer service number is 877-4-TIMKEN. The Canadian customer service numbers are 800-565-4927 (English) and 800-565-0438 (French-Canadian).

Mfr. No.	Name	Zero Duplication or Recommended Industrial	Mfr. No.	Name	Zero Duplication or Recommended Industrial	Mfr. No.	Name	Zero Duplication or Recommended Industrial	Mfr. No.	Name	Zero Duplication or Recommended Industrial
21086-3190	GARLK	415610	21086-3426	GARLK	415294!	21086-3655	GARLK	55223=	21086-6484F1	GARLK	476470!
21086-3200	GARLK	456192	21086-3427	GARLK	415294!	21086-3656	GARLK	55224=	21086-6590F1	GARLK	416332!
21086-3215	GARLK	55358=	21086-3434	GARLK	416229 *	21086-3660	GARLK	417605	21086-6603F1	GARLK	415725!
21086-3216	GARLK	55358=	21086-3435	GARLK	416229 *	21086-3662	GARLK	456483=	21086-6661F1	GARLK	417600
21086-3217	GARLK	55358=	21086-3444	GARLK	417298 *	21086-3670	GARLK	456483=	21086-6711R1	GARLK	415725!
21086-3228	GARLK	417555!*	21086-3445	GARLK	417298	21086-3673	GARLK	417020	21086-6760F1	GARLK	417603!
21086-3229	GARLK	417555!*	21086-3460	GARLK	415327 *	21086-3676	GARLK	417570 *	21086-6872R1	GARLK	417362!
21086-3230	GARLK	417555!	21086-3461	GARLK	415327	21086-3677	GARLK	417570	21086-6891F1	GARLK	416239!
21086-3234	GARLK	417556 *	21086-3464	GARLK	417596	21086-3680	GARLK	415227!	21086-6920F1	GARLK	415294!
21086-3235	GARLK	416288!*	21086-3465	GARLK	417596	21086-3687	GARLK	55228 *=	21086-6978F1	GARLK	416380!
21086-3236	GARLK	417556 *	21086-3474	GARLK	455948	21086-3688	GARLK	55228 *=	21086-7115F1	GARLK	415991!
21086-3240	GARLK	417040	21086-3482	GARLK	455584	21086-3689	GARLK	55228=	21086-7115F1	GARLK	415991
21086-3249	GARLK	456199=	21086-3483	GARLK	455584	21086-3694	GARLK	415482	21086-7151F1	GARLK	415645!
21086-3275	GARLK	417362!*	21086-3492	GARLK	416364!	21086-3705	GARLK	415076 *	21086-7155F1	GARLK	415072
21086-3276	GARLK	417362!*	21086-3493	GARLK	416364!	21086-3737	GARLK	55103S	21086-7233F1	GARLK	415551
21086-3277	GARLK	417362!*	21086-3496	GARLK	417597 *	21086-3775	GARLK	455330!	21086-7289F1	GARLK	417191
21086-3278	GARLK	417363	21086-3497	GARLK	417597	21086-3924	GARLK	417602!*	21086-7402F1	GARLK	415088
21086-3281	GARLK	416666 *	21086-3500	GARLK	416239!	21086-3925	GARLK	417602!	21086-7433F1	GARLK	415072
21086-3282	GARLK	416666 *	21086-3501	GARLK	416239!	21086-3932	GARLK	455123 *	21086-7433R1	GARLK	415072
21086-3283	GARLK	416666	21086-3504	GARLK	417564 *	21086-3937	GARLK	417603!	21086-7436F1	GARLK	415327
21086-3284	GARLK	417364	21086-3505	GARLK	417564	21086-3945	GARLK	417567	21086-7448F1	GARLK	415036
21086-3293	GARLK	416039	21086-3514	GARLK	416077 *	21086-3949	GARLK	455966	21086-7670F1	GARLK	476470!
21086-3296	GARLK	416039	21086-3515	GARLK	416077	21086-3951	GARLK	415128	21086-7670F1	GARLK	476470
21086-3322	GARLK	416476!	21086-3518	GARLK	416044	21086-3954	GARLK	455462	21086-7673F1	GARLK	417020
21086-3323	GARLK	416476!	21086-3519	GARLK	416044	21086-3965	GARLK	416257	21086-7686F1	GARLK	415041
21086-3324	GARLK	416476!	21086-3526	GARLK	415116 *	21086-3967	GARLK	415219	21086-7880F1	GARLK	416556!
21086-3331	GARLK	455297 *	21086-3527	GARLK	415116	21086-3975	GARLK	415871	21086-7880F1	GARLK	472157
21086-3332	GARLK	455297	21086-3536	GARLK	455117 *	21086-3984	GARLK	417606	21086-7909F1	GARLK	417606
21086-3333	GARLK	455297 *	21086-3537	GARLK	455117	21086-3989	GARLK	55223 *=	21086-7953	GARLK	415577 *
21086-3347	GARLK	417780 *	21086-3538	GARLK	415317 *	21086-3996	GARLK	417020 *	21086-7973	GARLK	55329 *=
21086-3348	GARLK	417780	21086-3539	GARLK	415317	21086-3998	GARLK	417020 *	21086-8149F1	GARLK	415294!
21086-3349	GARLK	417780 *	21086-3544	GARLK	415867 *	21086-4016	GARLK	415227!*	21086-8216F1	GARLK	415327
21086-3355	GARLK	415683	21086-3545	GARLK	415867	21086-4030	GARLK	55228 *=	21086-8306F1	GARLK	416107!
21086-3356	GARLK	415683 *	21086-3552	GARLK	415551 *	21086-4057	GARLK	415077 *	21086-8311F1	GARLK	415437
21086-3357	GARLK	415683 *	21086-3553	GARLK	415551	21086-4058	GARLK	415077	21086-8319F1	GARLK	416321
21086-3358	GARLK	417365	21086-3557	GARLK	415116	21086-4059	GARLK	415077 *	21086-8531F1	GARLK	416670
21086-3359	GARLK	417365	21086-3558	GARLK	416102	21086-4062	GARLK	415076	21086-8663R1	GARLK	417541
21086-3360	GARLK	417365	21086-3566	GARLK	417598 *	21086-4184	GARLK	55103S	21086-8683F1	GARLK	417511
21086-3367	GARLK	415072 *	21086-3567	GARLK	417598	21086-4502	GARLK	417603!*	21086-8932R1	GARLK	415725!
21086-3368	GARLK	415072	21086-3574	GARLK	457299	21086-4503	GARLK	417940!	21086-8996F1	GARLK	416154!
21086-3369	GARLK	415072 *	21086-3578	GARLK	455406!*	21086-4503	GARLK	55301S *	21086-9209F1	GARLK	412473!
21086-3370	GARLK	415072 *	21086-3579	GARLK	455406!	21086-4505	GARLK	455476 *	21086-9347F1	GARLK	416158
21086-3375	GARLK	455330!*	21086-3582	GARLK	455397	21086-4506	GARLK	455462	21086-9401R1	GARLK	417355!
21086-3376	GARLK	455330!*	21086-3583	GARLK	455397	21086-4507	GARLK	455462 *	21086-9664R1	GARLK	417596
21086-3377	GARLK	455330!	21086-3588	GARLK	455121 *	21086-4515	GARLK	55239 *=	21086-9724	GARLK	417487
21086-3384	GARLK	415074 *	21086-3589	GARLK	455121	21086-4517	GARLK	55078S *	21086-9780	GARLK	415294!
21086-3385	GARLK	415074	21086-3593	GARLK	415656	21086-4526	GARLK	55228 *=	210862192	GARLK	416370!
21086-3386	GARLK	415074 *	21086-3596	GARLK	417600 *	21086-4587	GARLK	416394	21087 C-R		470898!
21086-3387	GARLK	415074 *	21086-3597	GARLK	417600	21086-4929R1	GARLK	417606	2108730	CLARK	370030A
21086-3394	GARLK	455480!*	21086-3600	GARLK	417601 *	21086-4966F1	GARLK	417247!	21088 C-R		470898!
21086-3395	GARLK	455480!	21086-3601	GARLK	417601	21086-4991R1	GARLK	415294!	2108BG	SPG	455655
21086-3396	GARLK	455480!*	21086-3602	GARLK	417602!*	21086-5049R1	GARLK	415034!	21091 C-R		470898 *
21086-3397	GARLK	455480!*	21086-3607	GARLK	415124 *	21086-5201F1	GARLK	417211!	21092 C-R		40566S
21086-3398	GARLK	55316 *=	21086-3609	GARLK	417022 *	21086-5280F1	GARLK	415036	21093 C-R		40566S
21086-3399	GARLK	55316 *=	21086-3610	GARLK	417604 *	21086-5319F1	GARLK	417492	2109451	GRAM	450398
21086-3400	GARLK	55316 *=	21086-3611	GARLK	417567 *	21086-5332F1	GARLK	416321	2109451	GRAM	471267!
21086-3401	GARLK	55316=	21086-3613	GARLK	415128 *	21086-5492F1	GARLK	415041	21095 C-R		470898=
21086-3402	GARLK	417562 *	21086-3614	GARLK	455129 *	21086-5512F1	GARLK	476470!	21095 C-R		470898
21086-3403	GARLK	417562 *	21086-3615	GARLK	55301S	21086-5512F1	GARLK	476470	21096 C-R		470898
21086-3404	GARLK	417562 *	21086-3617	GARLK	455476	21086-5646F1	GARLK	416125!	2109665	CLARK	471272!
21086-3405	GARLK	417562 *	21086-3618	GARLK	456462	21086-5683F1	GARLK	417603!	21097 C-R		40566S
21086-3406	GARLK	55692 *=	21086-3619	GARLK	455462	21086-5831F1	GARLK	416888!	210972	CUMMI	J1126
21086-3407	GARLK	55692 *=	21086-3623	GARLK	415090	21086-5923F1	GARLK	415610	21098 C-R		470898 *
21086-3408	GARLK	55692=	21086-3624	GARLK	415090 *	21086-5949R1	GARLK	415090	21099 C-R		470898!
21086-3417	GARLK	55242 *	21086-3627	GARLK	55218=	21086-6089R1	GARLK	416077	2109BG	SPG	2109
21086-3418	GARLK	55242 *	21086-3633	GARLK	415219 *	21086-6146R1	GARLK	415074	210VB7	MARI	415449!
21086-3419	GARLK	55242 *	21086-3634	GARLK	415871	21086-6433	GARLK	416364!	210X240X15	SIMRT	210X240X15
21086-3420	GARLK	55242	21086-3646	GARLK	417606 *	21086-6433F1	GARLK	416364!	210X240X15SC	TRSCM	210X240X15
21086-3421	GARLK	417563 *	21086-3648	GARLK	417606	21086-6434R1	GARLK	417357	210X240X15TC	TRSCM	210X240X15
21086-3422	GARLK	417563 *	21086-3649	GARLK	55222=	21086-6435	GARLK	415962	210X250X15	SIMRT	210X250X15
21086-3423	GARLK	417563 *	21086-3652	GARLK	55239=	21086-6437F1	GARLK	416239!	211 C-R		5117
21086-3424	GARLK	417563	21086-3654	GARLK	55078S	21086-6484F1	GARLK	476470	211	THIOK	473241

! Industrial Size/Type * Minor Width Difference

= The U.S. customer service number is 877-4-TIMKEN. The Canadian customer service numbers are 800-565-4927 (English) and 800-565-0438 (French-Canadian).

Mfr. No.	Name	Zero Duplication or Recommended Industrial	Mfr. No.	Name	Zero Duplication or Recommended Industrial	Mfr. No.	Name	Zero Duplication or Recommended Industrial	Mfr. No.	Name	Zero Duplication or Recommended Industrial
211 UNIVE		455151	211-4795	ITM	1959	211-7916	ITM	3771	2112398	ITM	471192
211-1013	ITM	413818	211-4978	ITM	446927!	211-7917	ITM	3771	21125	C-R	473467!
211-1015	ITM	494122	211-5016	ITM	472164!	211-7923	ITM	1984	21125	UNIVE	481537
211-1016	ITM	2003N!	211-6126	ITM	350936	211-7950	ITM	1165	211253	CUMMI	39807
211-1018	ITM	474134	211-6131	ITM	48X72X7!	211-7951	ITM	1217	21126	C-R	42101S
211-1029	ITM	2002	211-6139	ITM	40322=	211-7954	ITM	1962	21128	GARLK	470712!
211-1033	ITM	1986	211-6140	ITM	239128	211-7956	ITM	473812	21131	C-R	473467!
211-1034	ITM	334111	211-6149	ITM	1165	211-7957	ITM	473179!	21133	C-R	473467
211-1039	ITM	1985	211-6158	ITM	480630!	211-7959	ITM	1959	211334	ALLCH	472258!
211-1040	ITM	1999	211-6174	ITM	472213	211-7962	ITM	1952	211335	ALLCH	414268!
211-1041	ITM	223014	211-6178	ITM	224025	211-7964	ITM	473367	21134	C-R	473467*
211-1044	ITM	1938	211-6188	ITM	2642	211-7967	ITM	1960	21134	C-R	473467!
211-1047	ITM	1939	211-6193	ITM	472397!	211-7970	ITM	1959	2113470	ITM	224045
211-1051	ITM	1952	211-6232	ITM	9845	211-7972	ITM	1974	2113470	ITM	40X62X12!
211-1052	ITM	1943	211-6301	ITM	1209	211-7976	ITM	473238!	2113485	ITM	226020
211-1055	ITM	494117	211-6302	ITM	1195	211-7987	ITM	1996	2113485	ITM	60X80X8!
211-1577	ITM	472397!	211-6305	ITM	48X72X7!	211-7989	ITM	482126	2113487	ITM	224045
211-2142	ITM	331227H	211-6318	ITM	473230!	211-7994	ITM	3771	2113487	ITM	40X62X12!
211-2171	ITM	1086=	211-6319	ITM	482126	211-8135	ITM	223035	211351	CLARK	417273
211-2392	ITM	470565!	211-6325	ITM	5697	211-8284	ITM	225082	2113560	ITM	239146
211-2410	ITM	472164!	211-6330	ITM	471766=	21100	C-R	470898	2113560	ITM	38X54X7!
211-2491	ITM	471785!	211-6332	ITM	1192	21101	C-R	40566S	21136	C-R	473467*
211-2494	ITM	2551	211-6360	ITM	224015	2110147	GRAM	471224!	21136	C-R	473467
211-2625	ITM	470898	211-6369	ITM	5778	211017	TW-DI	472397!	21137	MICH	481073
211-2696	ITM	471870!	211-6375	ITM	1183	21103	C-R	470898!	21137	UNIVE	481073*
211-2767	ITM	470334!	211-6377	ITM	1981	211035	WOOL	480630!	21138	GARLK	471763
211-2787	ITM	472258!	211-6378	ITM	1992	2110456	CLARK	417544	2113842	ITM	222510
211-2871	ITM	224015	211-6430	ITM	1196	21105	C-R	470898!	2113842	ITM	25X35X7!
211-3130	ITM	473234!	211-6432	ITM	2955	2110554	GRAM	471281!	2113909	ITM	471705!
211-3131	ITM	64X80X8	211-6441	ITM	221925	21106	C-R	470898!	2113933	ITM	224820
211-3133	ITM	470625!	211-6454	ITM	473573	21107	C-R	470898!	2113933	ITM	48X62X8!
211-3141	ITM	1873	211-6465	ITM	228010	21108	C-R	470898	2113973	ITM	224520
211-3154	ITM	43076S	211-6466	ITM	227045	2110RC	SUL	416892!	2113973	ITM	45X60X10!
211-3156	ITM	473241	211-6471	ITM	1170	21110	C-R	9599S	2113974	ITM	1973
211-3233	ITM	473234!	211-6472	ITM	32X58X8!	2111019	ITM	1955	2113974	ITM	48X65X10!
211-3242	ITM	7399S!	211-6500	ITM	473823	2111019	ITM	52X65X9!	2113975	ITM	227040
211-3285	ITM	473231!	211-6512	ITM	473237!	2111020	ITM	1955	2113975	ITM	70X90X10!
211-3331	ITM	224252	211-6525	ITM	2551	2111020	ITM	52X65X9!	211401	ALLCH	471466!
211-3447	ITM	223620	211-6532	ITM	331227H	2111022	ITM	225110	21141	C-R	473467!
211-3491	ITM	35X47X7	211-6534	ITM	1173	2111022	ITM	51X65X7!	211416	CINMI	473228
211-3494	ITM	340823	211-6535	ITM	5591	2111035	WOOL	455310	21144	C-R	473467
211-3496	ITM	35X47X7	211-6536	ITM	1188	2111042	ITM	222510	211441	BRCWY	470530!
211-3498	ITM	471224!	211-6538	ITM	1188	2111042	ITM	25X35X7!	2114521	ITM	440131!
211-3507	ITM	223535	211-6586	ITM	3771	2111077	ITM	1213N	2114530	ITM	224820
211-3509	ITM	473228	211-6599	ITM	1906	21111	C-R	2457	2114530	ITM	48X62X8!
211-3511	ITM	471192	211-6671	ITM	1950	211110	C-R	473421	2114532	ITM	224045
211-3580	ITM	472492!	211-7200	ITM	473237!	211111	C-R	473435	2114532	ITM	40X62X12!
211-3640	ITM	471646!	211-7201	ITM	473237!	211112	BENDI	415960!	2114533	ITM	223542
211-3655	ITM	239145	211-7506	ITM	1987	211112	C-R	472287!	2114533	ITM	35X55X11!
211-3772	ITM	471692!	211-7507	ITM	1990	21112	C-R	453066	2114536	ITM	223555
211-3835	ITM	471737	211-7513	ITM	473258	21112	C-R	470898!	2114536	ITM	35X64X8!
211-3952	ITM	470487!	211-7521	ITM	1884	21113	C-R	6626S	2114583	ITM	33X50X12!
211-3971	ITM	472258!	211-7529	ITM	413818	21113	GARLK	471652	2114618	GMC	472179
211-3996	ITM	472492!	211-7530	ITM	1949	211132C92	IH	HU066A	2114646	ITM	1012
211-405-641B	VW	1967	211-7539	ITM	224015	2111398X	GRAM	471763	2114646	ITM	1012N
211-405-641D	VW	1209	211-7540	ITM	1984	21114	GWJ	473016!	2114747	ITM	224045
211-4070	ITM	1110	211-7547	ITM	444116	211163	US-EL	416404!	2114747	ITM	40X62X12!
211-4152	ITM	1110	211-7548	ITM	225540	211166	ALLCH	450984	2114777	ITM	2001
211-4531	ITM	1974	211-7550	ITM	1992	21117	C-R	450177	2114777	ITM	60X82X12!
211-4535	ITM	3771	211-7599	ITM	225650	21117	GARLK	471692!	2114780	ITM	223240
211-4555	ITM	2326=	211-7628	ITM	1949	21118	C-R	450177	2114780	ITM	32X48X8!
211-4576	ITM	471835!	211-7649	ITM	5108	21119	C-R	473421	2114781	ITM	223840
211-4588	ITM	355200	211-7650	ITM	5750	21120	C-R	470898!	2114781	ITM	38X58X8!
211-4588	ITM	416888!	211-7673	ITM	3395!	21121	C-R	42101S	2114784	ITM	223840
211-4609	ITM	471652	211-7688	ITM	1906	2112199	ITM	224820	2114784	ITM	38X58X8!
211-4746	ITM	1967	211-7690	ITM	1906	2112199	ITM	48X62X8!	2114789	ITM	1180
211-4748	ITM	1967	211-7692	ITM	1952	21122	C-R	473467!	2114789	ITM	41X55X7!
211-4765	ITM	473454	211-7718	ITM	3395!	2112202	ITM	1994	2114797	ITM	55X82X12!
211-4782	ITM	472324!	211-7774	ITM	223535	2112202	ITM	48X70X9!	2114799	ITM	224560
211-4785	ITM	1177	211-7903	ITM	1943	21123	C-R	473467!	2114799	ITM	45X68X7!
211-4786	ITM	1960	211-7904	ITM	3476	2112328	ITM	1174	2114802	ITM	223542
211-4788	ITM	1176	211-7915	ITM	227410	2112328	ITM	38X52X8.5!	2114802	ITM	35X55X11!

! Industrial Size/Type * Minor Width Difference

= The U.S. customer service number is 877-4-TIMKEN. The Canadian customer service numbers are 800-565-4927 (English) and 800-565-0438 (French-Canadian).

NUMERICAL INTERCHANGE

Mfr. No.	Name	Zero Duplication or Recommended Industrial	Mfr. No.	Name	Zero Duplication or Recommended Industrial	Mfr. No.	Name	Zero Duplication or Recommended Industrial	Mfr. No.	Name	Zero Duplication or Recommended Industrial
21149	C-R	472015!	21158-0195	GARLK	473414*	21158-0331	GARLK	450342	21158-0551	GARLK	6241S
21149	LAU	481443!	21158-0199	GARLK	473414*	21158-0333	GARLK	471762!	21158-0552	GARLK	470950!
2114949	ITM	1214	21158-0203	GARLK	473415*	21158-0334	GARLK	471762!	21158-0552	GARLK	6241S
2114949	ITM	1214N	21158-0204	GARLK	473415	21158-0335	GARLK	473420*	21158-0556	GARLK	471835!
2114954	ITM	224015	21158-0213	GARLK	471267!	21158-0336	GARLK	473420	21158-0557	GARLK	471835!
2114954	ITM	40X52X7!	21158-0215	GARLK	471570!	21158-0341	GARLK	450044*	21158-0559	GARLK	472843*
21150	C-R	472015!	21158-0216	GARLK	471570!*	21158-0347	GARLK	450159*	21158-0566	GARLK	50126
211501317	VW	1208	21158-0217	GARLK	471633!*	21158-0353	GARLK	471692!	21158-0574	GARLK	50254* =
211501317	VW	48X72X7!	21158-0218	GARLK	471633!	21158-0354	GARLK	471692!	21158-0592	GARLK	473224!*
211501317A	VW	1208	21158-0219	GARLK	471646!	21158-0355	GARLK	476838!	21158-0593	GARLK	473224!
211501317A	VW	48X72X7!	21158-0221	GARLK	470590*	21158-0356	GARLK	476838!	21158-0594	GARLK	473224!*
2115015	GMC	472636!	21158-0222	GARLK	470590	21158-0359	GARLK	471763*	21158-0595	GARLK	473016!*
21151	LAU	450040	21158-0223	GARLK	471137*	21158-0360	GARLK	471763	21158-0596	GARLK	473016!*
2115265	GMC	418028	21158-0224	GARLK	471137	21158-0363	GARLK	471736	21158-0597	GARLK	473016!
2115265	GMC	455137!	21158-0225	GARLK	471730*	21158-0365	GARLK	473428*	21158-0599	GARLK	473225!*
2115266	GMC	472636!	21158-0226	GARLK	471730	21158-0367	GARLK	471764!	21158-0600	GARLK	473225!
21153	LAU	451583!	21158-0227	GARLK	481741=	21158-0369	GARLK	473427*	21158-0601	GARLK	474264
21154	LAU	480210!	21158-0228	GARLK	481741=	21158-0370	GARLK	473427	21158-0602	GARLK	474264
21155	LAU	471255!	21158-0229	GARLK	470645*	21158-0374	GARLK	450362*	21158-0603	GARLK	474264
21156	C-R	472015!	21158-0237	GARLK	482371=	21158-0377	GARLK	450600=	21158-0607	GARLK	473226*
21158	C-R	472015!*	21158-0241	GARLK	450038*	21158-0383	GARLK	472475*	21158-0608	GARLK	473226*
21158-0005	GARLK	350364	21158-0251	GARLK	471571	21158-0384	GARLK	472475	21158-0609	GARLK	473226
21158-0101	GARLK	481073	21158-0252	GARLK	471571*	21158-0385	GARLK	473426*	21158-0610	GARLK	473437*
21158-0102	GARLK	481073*	21158-0255	GARLK	471647*	21158-0386	GARLK	473426	21158-0612	GARLK	473437
21158-0105	GARLK	481397*	21158-0256	GARLK	471647*	21158-0389	GARLK	471354!*	21158-0613	GARLK	471862
21158-0106	GARLK	481397	21158-0257	GARLK	472951	21158-0390	GARLK	471354!	21158-0615	GARLK	471862
21158-0109	GARLK	471529	21158-0257	GARLK	474252	21158-0403	GARLK	450048*	21158-0619	GARLK	473438*
21158-0110	GARLK	471529	21158-0258	GARLK	472951	21158-0405	GARLK	450173*	21158-0621	GARLK	473438
21158-0111	GARLK	471538!*	21158-0258	GARLK	474252	21158-0427	GARLK	471766!	21158-0622	GARLK	473439!*
21158-0112	GARLK	471538!	21158-0259	GARLK	450039*	21158-0428	GARLK	471766!	21158-0624	GARLK	473439!*
21158-0113	GARLK	471553!	21158-0260	GARLK	450039	21158-0433	GARLK	450177*	21158-0643	GARLK	470625!
21158-0114	GARLK	471553!	21158-0261	GARLK	450039	21158-0442	GARLK	471808!*	21158-0644	GARLK	470625!
21158-0115	GARLK	471579	21158-0269	GARLK	451583!	21158-0443	GARLK	471808!*	21158-0645	GARLK	470625!
21158-0116	GARLK	471579*	21158-0270	GARLK	451583!	21158-0444	GARLK	471808!	21158-0649	GARLK	471820*
21158-0119	GARLK	471642	21158-0271	GARLK	450545*	21158-0445	GARLK	471818*	21158-0650	GARLK	471820*
21158-0124	GARLK	50026*	21158-0273	GARLK	471648*	21158-0446	GARLK	471818*	21158-0655	GARLK	473228
21158-0142	GARLK	471554!	21158-0274	GARLK	471648*	21158-0447	GARLK	471818*	21158-0656	GARLK	473228
21158-0143	GARLK	471567!	21158-0275	GARLK	471688	21158-0448	GARLK	470050*	21158-0657	GARLK	473228
21158-0144	GARLK	471567!	21158-0276	GARLK	471688	21158-0451	GARLK	473424!*	21158-0658	GARLK	451857*
21158-0145	GARLK	471498*	21158-0277	GARLK	450040*	21158-0454	GARLK	450124=	21158-0659	GARLK	451857*
21158-0146	GARLK	471498	21158-0278	GARLK	450040	21158-0482	GARLK	473210	21158-0660	GARLK	451857
21158-0147	GARLK	471643!	21158-0279	GARLK	451082*	21158-0487	GARLK	473421*	21158-0664	GARLK	473440!*
21158-0149	GARLK	471684!	21158-0285	GARLK	450339*	21158-0490	GARLK	473211!*	21158-0665	GARLK	473440!*
21158-0150	GARLK	471684!	21158-0286	GARLK	450339	21158-0491	GARLK	473211!	21158-0666	GARLK	473440!
21158-0151	GARLK	450033	21158-0288	GARLK	471224!	21158-0492	GARLK	473211!*	21158-0668	GARLK	474281!
21158-0152	GARLK	450033	21158-0289	GARLK	473380*	21158-0493	GARLK	473212!*	21158-0669	GARLK	474281!
21158-0153	GARLK	470390*	21158-0290	GARLK	473380	21158-0494	GARLK	473212!*	21158-0670	GARLK	470625!
21158-0155	GARLK	473407*	21158-0291	GARLK	471649!	21158-0495	GARLK	473212!	21158-0700	GARLK	472213
21158-0156	GARLK	473407	21158-0292	GARLK	471649!	21158-0496	GARLK	473213!	21158-0701	GARLK	472213
21158-0157	GARLK	470601	21158-0293	GARLK	471689!	21158-0497	GARLK	473213!	21158-0702	GARLK	472213
21158-0158	GARLK	470601	21158-0295	GARLK	450593*	21158-0498	GARLK	473213!	21158-0703	GARLK	472299*
21158-0159	GARLK	481443!	21158-0295	GARLK	450593!*	21158-0499	GARLK	450503* =	21158-0704	GARLK	472299*
21158-0160	GARLK	481443!*	21158-0297	GARLK	471733*	21158-0505	GARLK	481834	21158-0706	GARLK	471821!
21158-0161	GARLK	481568!	21158-0298	GARLK	471733	21158-0507	GARLK	481834	21158-0707	GARLK	471821!
21158-0162	GARLK	481443!	21158-0299	GARLK	471744!*	21158-0511	GARLK	473435*	21158-0708	GARLK	471821!
21158-0165	GARLK	481644	21158-0300	GARLK	471744!	21158-0514	GARLK	473436*	21158-0712	GARLK	473229
21158-0166	GARLK	481644*	21158-0301	GARLK	471760*	21158-0517	GARLK	50168*	21158-0713	GARLK	473229
21158-0167	GARLK	471337	21158-0302	GARLK	471760	21158-0520	GARLK	450054*	21158-0714	GARLK	473229
21158-0171	GARLK	451739=	21158-0303	GARLK	471619!	21158-0535	GARLK	470774!	21158-0715	GARLK	470682*
21158-0172	GARLK	451739=	21158-0304	GARLK	471619!	21158-0536	GARLK	470774!	21158-0717	GARLK	470682
21158-0175	GARLK	471539!	21158-0305	GARLK	471076	21158-0537	GARLK	470774!	21158-0718	GARLK	471316
21158-0176	GARLK	471539!	21158-0306	GARLK	471076	21158-0538	GARLK	472287!*	21158-0721	GARLK	473441*
21158-0177	GARLK	471231!	21158-0307	GARLK	481650	21158-0539	GARLK	472287!*	21158-0723	GARLK	473441
21158-0178	GARLK	471231!	21158-0308	GARLK	481650*	21158-0544	GARLK	473214!	21158-0724	GARLK	450273
21158-0179	GARLK	474253!	21158-0323	GARLK	471651	21158-0545	GARLK	473214!	21158-0733	GARLK	450065*
21158-0180	GARLK	474253!	21158-0324	GARLK	471651*	21158-0546	GARLK	473214!	21158-0734	GARLK	450065
21158-0181	GARLK	450588!	21158-0325	GARLK	471705!	21158-0547	GARLK	473215!*	21158-0739	GARLK	482253*
21158-0183	GARLK	471645	21158-0326	GARLK	471705!	21158-0548	GARLK	473215!*	21158-0742	GARLK	451469*
21158-0185	GARLK	471686	21158-0327	GARLK	473419	21158-0549	GARLK	473215!	21158-0744	GARLK	451469
21158-0187	GARLK	473412*	21158-0328	GARLK	473419	21158-0550	GARLK	470950!	21158-0751	GARLK	450274
21158-0189	GARLK	471729*	21158-0329	GARLK	471735*	21158-0550	GARLK	6241S	21158-0760	GARLK	473231
21158-0193	GARLK	472452	21158-0330	GARLK	471735	21158-0551	GARLK	470950!	21158-0761	GARLK	473231

! Industrial Size/Type *Minor Width Difference

= The U.S. customer service number is 877-4-TIMKEN. The Canadian customer service numbers are 800-565-4927 (English) and 800-565-0438 (French-Canadian).

Mfr. No.	Name	Zero Duplication or Recommended Industrial	Mfr. No.	Name	Zero Duplication or Recommended Industrial	Mfr. No.	Name	Zero Duplication or Recommended Industrial	Mfr. No.	Name	Zero Duplication or Recommended Industrial
21158-0762	GARLK	473231	21158-0919	GARLK	50289	21158-1134	GARLK	473460	21158-1300	GARLK	416738!
21158-0763	GARLK	473367	21158-0921	GARLK	470334!	21158-1135	GARLK	472394*	21158-1300	GARLK	450096
21158-0763	GARLK	473367!	21158-0921	GARLK	50289	21158-1137	GARLK	472394	21158-1306	GARLK	450313*
21158-0764	GARLK	473367!	21158-0922	GARLK	471141!	21158-1138	GARLK	473461!*	21158-1309	GARLK	450532*
21158-0764	GARLK	473367	21158-0923	GARLK	471141!	21158-1139	GARLK	473461!*	21158-1312	GARLK	450343*
21158-0765	GARLK	473367!	21158-0924	GARLK	471141!	21158-1141	GARLK	471391!*	21158-1321	GARLK	470898
21158-0765	GARLK	473367	21158-0925	GARLK	473448	21158-1142	GARLK	471391!*	21158-1322	GARLK	470898
21158-0769	GARLK	473010	21158-0927	GARLK	473448	21158-1143	GARLK	471391!	21158-1323	GARLK	470898!
21158-0771	GARLK	473010	21158-0928	GARLK	471984*	21158-1147	GARLK	473462	21158-1324	GARLK	473467
21158-0772	GARLK	473232	21158-0930	GARLK	471984	21158-1148	GARLK	473462	21158-1326	GARLK	473467
21158-0774	GARLK	473232	21158-0931	GARLK	473313	21158-1149	GARLK	473462	21158-1327	GARLK	472015!
21158-0775	GARLK	481864	21158-0933	GARLK	473313	21158-1150	GARLK	450472!*	21158-1328	GARLK	472015!
21158-0777	GARLK	481864	21158-0940	GARLK	50266*	21158-1153	GARLK	473241	21158-1329	GARLK	472015!
21158-0781	GARLK	450275	21158-0943	GARLK	450269*	21158-1154	GARLK	473241*	21158-1330	GARLK	410308!
21158-0782	GARLK	450275	21158-0946	GARLK	450285*	21158-1162	GARLK	450474*	21158-1331	GARLK	410308!
21158-0783	GARLK	450275	21158-0949	GARLK	471866!*	21158-1165	GARLK	50528*	21158-1332	GARLK	410308!
21158-0787	GARLK	473444	21158-0951	GARLK	471866!	21158-1166	GARLK	50528*	21158-1333	GARLK	472016*
21158-0788	GARLK	473444	21158-0958	GARLK	473448*	21158-1167	GARLK	50528	21158-1334	GARLK	472016
21158-0789	GARLK	473444	21158-0961	GARLK	471984*	21158-1171	GARLK	473461!*	21158-1335	GARLK	472016
21158-0790	GARLK	473231	21158-0964	GARLK	473313	21158-1174	GARLK	471391!*	21158-1339	GARLK	472409!
21158-0792	GARLK	473231	21158-0976	GARLK	472070*	21158-1180	GARLK	473462	21158-1341	GARLK	472409!
21158-0793	GARLK	473367!	21158-0978	GARLK	472070	21158-1186	GARLK	471870!	21158-1345	GARLK	473243
21158-0799	GARLK	450260*	21158-0979	GARLK	471866!	21158-1187	GARLK	471870!	21158-1346	GARLK	473243
21158-0805	GARLK	450073*	21158-0982	GARLK	473449	21158-1188	GARLK	471870!	21158-1347	GARLK	473243
21158-0808	GARLK	450284=	21158-0984	GARLK	473449	21158-1189	GARLK	472492!	21158-1348	GARLK	413469!*
21158-0810	GARLK	450284=	21158-0987	GARLK	480281!	21158-1190	GARLK	472492!	21158-1349	GARLK	413469!*
21158-0820	GARLK	450415*	21158-0988	GARLK	450269*	21158-1191	GARLK	472492!	21158-1350	GARLK	413469!*
21158-0826	GARLK	473233!	21158-0991	GARLK	473450	21158-1198	GARLK	472924!	21158-1357	GARLK	416267!*
21158-0827	GARLK	473233!	21158-1003	GARLK	451993=	21158-1199	GARLK	472924!	21158-1359	GARLK	416267!
21158-0828	GARLK	473233!	21158-1005	GARLK	451993=	21158-1200	GARLK	472924!	21158-1363	GARLK	473467
21158-0829	GARLK	473445*	21158-1006	GARLK	473451!*	21158-1201	GARLK	470530!	21158-1365	GARLK	473467
21158-0835	GARLK	473234	21158-1012	GARLK	473452	21158-1203	GARLK	470530!	21158-1369	GARLK	410308!
21158-0836	GARLK	473234	21158-1021	GARLK	473453	21158-1204	GARLK	472397!	21158-1372	GARLK	472016*
21158-0837	GARLK	473234	21158-1023	GARLK	473453*	21158-1205	GARLK	472397!	21158-1378	GARLK	450621*
21158-0838	GARLK	473235!*	21158-1042	GARLK	472439*	21158-1206	GARLK	472397!	21158-1384	GARLK	450869*
21158-0840	GARLK	473235!	21158-1043	GARLK	472439*	21158-1207	GARLK	473463*	21158-1385	GARLK	450869*
21158-0841	GARLK	474265	21158-1044	GARLK	472439	21158-1209	GARLK	473463	21158-1396	GARLK	416267!*
21158-0842	GARLK	474265	21158-1045	GARLK	471868	21158-1210	GARLK	473242*	21158-1398	GARLK	416267!
21158-0843	GARLK	474265	21158-1047	GARLK	471868	21158-1212	GARLK	473242	21158-1399	GARLK	473244
21158-0844	GARLK	473236!*	21158-1048	GARLK	472572!	21158-1216	GARLK	473464!	21158-1400	GARLK	473244
21158-0845	GARLK	473236!*	21158-1050	GARLK	472572!	21158-1216	GARLK	473464	21158-1401	GARLK	473244
21158-0846	GARLK	473236!	21158-1051	GARLK	473179!	21158-1217	GARLK	473464!	21158-1402	GARLK	472018
21158-0853	GARLK	473446	21158-1052	GARLK	473179!	21158-1217	GARLK	473464	21158-1403	GARLK	472018
21158-0854	GARLK	473446	21158-1053	GARLK	473179!	21158-1218	GARLK	473464	21158-1404	GARLK	472018*
21158-0855	GARLK	473446*	21158-1054	GARLK	414045!*	21158-1218	GARLK	473464!	21158-1405	GARLK	473471*
21158-0859	GARLK	471981	21158-1055	GARLK	473238	21158-1222	GARLK	472924!	21158-1406	GARLK	473471
21158-0861	GARLK	471981	21158-1058	GARLK	473238	21158-1225	GARLK	470530!	21158-1407	GARLK	473471
21158-0862	GARLK	50327	21158-1059	GARLK	473238!	21158-1228	GARLK	472397!	21158-1408	GARLK	472020*
21158-0871	GARLK	450068*	21158-1060	GARLK	450084!	21158-1231	GARLK	473463*	21158-1410	GARLK	472020*
21158-0874	GARLK	50075* =	21158-1062	GARLK	450084!	21158-1240	GARLK	473464	21158-1414	GARLK	470354*
21158-0877	GARLK	50191*	21158-1063	GARLK	473239	21158-1240	GARLK	473464	21158-1415	GARLK	470354
21158-0886	GARLK	50081*	21158-1065	GARLK	473239	21158-1246	GARLK	412027*	21158-1416	GARLK	470354*
21158-0887	GARLK	50081*	21158-1066	GARLK	473457!*	21158-1252	GARLK	451948	21158-1420	GARLK	473245!*
21158-0895	GARLK	470086*	21158-1069	GARLK	473240!*	21158-1253	GARLK	451948	21158-1422	GARLK	471504!
21158-0898	GARLK	471504!	21158-1071	GARLK	473240!	21158-1254	GARLK	451948*	21158-1423	GARLK	412943*
21158-0899	GARLK	471504!	21158-1075	GARLK	473458!*	21158-1255	GARLK	473466	21158-1425	GARLK	412943*
21158-0900	GARLK	471504!	21158-1076	GARLK	473458!	21158-1258	GARLK	472012	21158-1426	GARLK	413472
21158-0904	GARLK	472164!	21158-1078	GARLK	472439*	21158-1260	GARLK	472012	21158-1428	GARLK	413472
21158-0905	GARLK	472164*	21158-1081	GARLK	471868*	21158-1261	GARLK	450307*	21158-1432	GARLK	416268
21158-0906	GARLK	472164!	21158-1084	GARLK	472572!	21158-1263	GARLK	450307	21158-1434	GARLK	416268
21158-0907	GARLK	472185!	21158-1084	GARLK	414045!*	21158-1264	GARLK	450311*	21158-1435	GARLK	472234*
21158-0909	GARLK	472185!	21158-1090	GARLK	414045!*	21158-1266	GARLK	450311	21158-1438	GARLK	472018*
21158-0910	GARLK	470334!	21158-1105	GARLK	473240!*	21158-1270	GARLK	416738!	21158-1441	GARLK	473471*
21158-0911	GARLK	470334!	21158-1114	GARLK	472319	21158-1270	GARLK	450096	21158-1444	GARLK	472020*
21158-0912	GARLK	470334!	21158-1116	GARLK	472319	21158-1276	GARLK	450313	21158-1450	GARLK	470354*
21158-0913	GARLK	472179	21158-1117	GARLK	473459	21158-1278	GARLK	450313	21158-1459	GARLK	50631*
21158-0914	GARLK	472179	21158-1120	GARLK	473241	21158-1279	GARLK	450532	21158-1471	GARLK	471341!
21158-0915	GARLK	472179	21158-1122	GARLK	473241	21158-1282	GARLK	451948*	21158-1473	GARLK	471341!
21158-0916	GARLK	473447	21158-1129	GARLK	472144!	21158-1285	GARLK	473466*	21158-1474	GARLK	471272!
21158-0918	GARLK	473447	21158-1130	GARLK	472144!	21158-1288	GARLK	472012*	21158-1475	GARLK	471272!
21158-0919	GARLK	470334!	21158-1131	GARLK	472144!*	21158-1291	GARLK	450307*	21158-1476	GARLK	471272!
			21158-1132	GARLK	473460	21158-1294	GARLK	450311*	21158-1477	GARLK	473473*

! Industrial Size/Type * Minor Width Difference

= The U.S. customer service number is 877-4-TIMKEN. The Canadian customer service numbers are 800-565-4927 (English) and 800-565-0438 (French-Canadian).

NUMERICAL INTERCHANGE

Mfr. No.	Name	Zero Duplication or Recommended Industrial	Mfr. No.	Name	Zero Duplication or Recommended Industrial	Mfr. No.	Name	Zero Duplication or Recommended Industrial	Mfr. No.	Name	Zero Duplication or Recommended Industrial
21158-1479	GARLK	473473	21158-1693	GARLK	413246	21158-1909	GARLK	411330!*	21158-2092	GARLK	475384*
21158-1480	GARLK	471138!	21158-1696	GARLK	412119!	21158-1912	GARLK	415302*	21158-2093	GARLK	475384
21158-1481	GARLK	471138!	21158-1699	GARLK	413247!	21158-1915	GARLK	455311*	21158-2094	GARLK	475384*
21158-1482	GARLK	471138!	21158-1705	GARLK	416271!*	21158-1918	GARLK	415988*	21158-2101	GARLK	455005*
21158-1486	GARLK	410737!	21158-1714	GARLK	416071*	21158-1921	GARLK	417481*	21158-2103	GARLK	455005
21158-1492	GARLK	472636!	21158-1723	GARLK	471887	21158-1924	GARLK	455280*	21158-2104	GARLK	417485*
21158-1493	GARLK	472636!	21158-1725	GARLK	471887	21158-1926	GARLK	455280*	21158-2115	GARLK	415303!*
21158-1494	GARLK	472636!	21158-1735	GARLK	412040*	21158-1927	GARLK	412871!	21158-2117	GARLK	415303!*
21158-1495	GARLK	411253!	21158-1737	GARLK	412040	21158-1930	GARLK	412871!	21158-2118	GARLK	417344!
21158-1496	GARLK	411253!	21158-1738	GARLK	411500*	21158-1932	GARLK	412871!	21158-2120	GARLK	417344!
21158-1497	GARLK	411253!	21158-1740	GARLK	411500*	21158-1933	GARLK	413248	21158-2121	GARLK	416404!*
21158-1498	GARLK	412920!	21158-1741	GARLK	413478*	21158-1935	GARLK	413248	21158-2122	GARLK	416404!*
21158-1499	GARLK	412920!	21158-1742	GARLK	413478*	21158-1936	GARLK	450412*	21158-2123	GARLK	416404!*
21158-1500	GARLK	412920!	21158-1743	GARLK	413478*	21158-1939	GARLK	415483!	21158-2124	GARLK	416921!
21158-1501	GARLK	455136*	21158-1744	GARLK	450104*	21158-1941	GARLK	415483!	21158-2125	GARLK	416921!
21158-1504	GARLK	411376!	21158-1745	GARLK	450104*	21158-1945	GARLK	415458!	21158-2126	GARLK	416921!
21158-1505	GARLK	411376!	21158-1746	GARLK	450104	21158-1946	GARLK	415458!	21158-2127	GARLK	417134
21158-1506	GARLK	411376!	21158-1747	GARLK	411245!	21158-1947	GARLK	415458!	21158-2128	GARLK	417134
21158-1507	GARLK	472299*	21158-1749	GARLK	411245!	21158-1948	GARLK	417343!*	21158-2132	GARLK	417344!
21158-1510	GARLK	471272!	21158-1750	GARLK	417073*	21158-1950	GARLK	417343!	21158-2135	GARLK	416404!*
21158-1522	GARLK	410737!	21158-1751	GARLK	417073*	21158-1951	GARLK	415007*	21158-2138	GARLK	416921!
21158-1528	GARLK	470645*	21158-1752	GARLK	417073*	21158-1952	GARLK	415007*	21158-2146	GARLK	416956*
21158-1531	GARLK	411293!*	21158-1771	GARLK	412040*	21158-1954	GARLK	417082*	21158-2147	GARLK	416956*
21158-1534	GARLK	412920!	21158-1774	GARLK	50560*	21158-1955	GARLK	417082*	21158-2148	GARLK	416956
21158-1537	GARLK	455136*	21158-1775	GARLK	50560	21158-1956	GARLK	417082	21158-2149	GARLK	417159*
21158-1540	GARLK	411376!	21158-1780	GARLK	450104*	21158-1960	GARLK	413248	21158-2150	GARLK	417159*
21158-1546	GARLK	415234!*	21158-1783	GARLK	411245!	21158-1966	GARLK	415483!	21158-2151	GARLK	417159*
21158-1549	GARLK	415259!*	21158-1801	GARLK	472029	21158-1972	GARLK	415458!	21158-2152	GARLK	416654!
21158-1561	GARLK	472150*	21158-1802	GARLK	472029*	21158-1975	GARLK	417343!*	21158-2153	GARLK	416654!
21158-1563	GARLK	472150	21158-1803	GARLK	472029*	21158-1978	GARLK	415007*	21158-2154	GARLK	416654!
21158-1573	GARLK	411394!	21158-1806	GARLK	410752	21158-1981	GARLK	417082*	21158-2155	GARLK	417486*
21158-1575	GARLK	411394!	21158-1807	GARLK	471271!	21158-1993	GARLK	455434*	21158-2157	GARLK	416956*
21158-1576	GARLK	410694!*	21158-1808	GARLK	471271!	21158-1994	GARLK	455434*	21158-2160	GARLK	417159*
21158-1578	GARLK	410694!*	21158-1809	GARLK	471271!	21158-2002	GARLK	455151*	21158-2163	GARLK	416654!
21158-1579	GARLK	450133*	21158-1810	GARLK	410496!	21158-2003	GARLK	455151*	21158-2166	GARLK	417486*
21158-1581	GARLK	450133*	21158-1812	GARLK	410496!	21158-2004	GARLK	455151	21158-2168	GARLK	417349*
21158-1585	GARLK	416444*	21158-1813	GARLK	470605!*	21158-2005	GARLK	455008*	21158-2169	GARLK	417349*
21158-1587	GARLK	416444	21158-1815	GARLK	470605!*	21158-2006	GARLK	455008*	21158-2170	GARLK	417349*
21158-1588	GARLK	455647=	21158-1819	GARLK	415449!	21158-2007	GARLK	455008*	21158-2171	GARLK	417350!
21158-1594	GARLK	455321*	21158-1820	GARLK	415449!	21158-2014	GARLK	455434*	21158-2172	GARLK	417350!
21158-1596	GARLK	455321	21158-1821	GARLK	415449!	21158-2023	GARLK	455151*	21158-2173	GARLK	417350!
21158-1600	GARLK	472150*	21158-1822	GARLK	415001!	21158-2025	GARLK	455151	21158-2174	GARLK	415995!
21158-1602	GARLK	472150	21158-1823	GARLK	415001!	21158-2026	GARLK	455008*	21158-2175	GARLK	415995!
21158-1612	GARLK	411394!	21158-1824	GARLK	415001!	21158-2028	GARLK	455008*	21158-2176	GARLK	415995!
21158-1633	GARLK	455321*	21158-1825	GARLK	416273!	21158-2032	GARLK	480491*	21158-2189	GARLK	55548
21158-1639	GARLK	473474*	21158-1826	GARLK	416273!	21158-2034	GARLK	480491	21158-2190	GARLK	55548*
21158-1641	GARLK	473474	21158-1827	GARLK	416273!	21158-2035	GARLK	416664!	21158-2191	GARLK	55548*
21158-1642	GARLK	470565!	21158-1828	GARLK	455079!*	21158-2036	GARLK	416664!	21158-2196	GARLK	455820*
21158-1644	GARLK	470565!	21158-1830	GARLK	455079!	21158-2037	GARLK	416664!	21158-2197	GARLK	455820*
21158-1648	GARLK	473475*	21158-1831	GARLK	415082*	21158-2038	GARLK	417484!	21158-2223	GARLK	455020*
21158-1650	GARLK	473475*	21158-1834	GARLK	455655!*	21158-2039	GARLK	417484!	21158-2224	GARLK	455020*
21158-1654	GARLK	413246	21158-1836	GARLK	455655!*	21158-2040	GARLK	417484!	21158-2225	GARLK	417621!
21158-1655	GARLK	413246	21158-1840	GARLK	471271!	21158-2041	GARLK	415984!*	21158-2436	GARLK	415832*
21158-1656	GARLK	413246	21158-1841	GARLK	471271!	21158-2043	GARLK	415984!*	21158-2437	GARLK	415832*
21158-1657	GARLK	412119!	21158-1852	GARLK	415449!	21158-2044	GARLK	417316!	21158-2451	GARLK	55646* =
21158-1658	GARLK	412119!	21158-1855	GARLK	415001!	21158-2045	GARLK	417316!	21158-2452	GARLK	55646* =
21158-1659	GARLK	412119!	21158-1857	GARLK	415001!	21158-2046	GARLK	417316!	21158-2510	GARLK	417366!*
21158-1660	GARLK	413247!	21158-1858	GARLK	416273!	21158-2047	GARLK	415960	21158-2513	GARLK	415958
21158-1661	GARLK	413247!	21158-1861	GARLK	455079!*	21158-2048	GARLK	415960	21158-2513	GARLK	415958!
21158-1662	GARLK	413247!	21158-1882	GARLK	413479*	21158-2049	GARLK	415960	21158-2706	GARLK	417238
21158-1663	GARLK	410987!	21158-1885	GARLK	415302*	21158-2050	GARLK	416706!	21158-2707	GARLK	417238*
21158-1666	GARLK	416271!*	21158-1886	GARLK	415302*	21158-2052	GARLK	416706!	21158-2994	GARLK	417258
21158-1668	GARLK	416271!	21158-1887	GARLK	415302	21158-2059	GARLK	417484!	21158-2995	GARLK	417258*
21158-1669	GARLK	412861	21158-1888	GARLK	455311*	21158-2062	GARLK	415984!*	21158-3547	GARLK	415482
21158-1671	GARLK	412861	21158-1890	GARLK	455311	21158-2065	GARLK	417316!	21158-3552	GARLK	415551*
21158-1672	GARLK	410825	21158-1891	GARLK	415988*	21158-2067	GARLK	417316!	21158-3863	GARLK	350435
21158-1675	GARLK	416071*	21158-1892	GARLK	415988*	21158-2068	GARLK	415960!	21158-3869	GARLK	472705!
21158-1677	GARLK	416071	21158-1893	GARLK	415988*	21158-2086	GARLK	455005*	21158-3871	GARLK	450342
21158-1678	GARLK	417480!	21158-1894	GARLK	417481*	21158-2088	GARLK	455005	21158-3872	GARLK	471747!
21158-1679	GARLK	417480!	21158-1896	GARLK	417481*	21158-2089	GARLK	417485*	21158-3873	GARLK	471747!
21158-1680	GARLK	417480!	21158-1897	GARLK	455280*	21158-2090	GARLK	417485*	21158-3874	GARLK	471747!
21158-1687	GARLK	473475*	21158-1899	GARLK	455280	21158-2091	GARLK	417485*	21158-3876	GARLK	473425

! Industrial Size/Type * Minor Width Difference

= The U.S. customer service number is 877-4-TIMKEN. The Canadian customer service numbers are 800-565-4927 (English) and 800-565-0438 (French-Canadian).

Mr. No.	Name	Zero Duplication or Recommended Industrial	Mr. No.	Name	Zero Duplication or Recommended Industrial	Mr. No.	Name	Zero Duplication or Recommended Industrial	Mr. No.	Name	Zero Duplication or Recommended Industrial
21158-3879	GARLK	472536	21158-4771	GARLK	416892!*	21158-4968	GARLK	416144*	21158-5947	GARLK	411253!
21158-3880	GARLK	471344*	21158-4772	GARLK	416345!	21158-4976	GARLK	472843*	21158-5948	GARLK	415984!*
21158-3883	GARLK	473442!*	21158-4772	GARLK	455033	21158-4982	GARLK	417547*	21158-5953	GARLK	417357
21158-3885	GARLK	470088*	21158-4774	GARLK	55078S*	21158-4987	GARLK	415458!	21158-5953	GARLK	455192!
21158-3887	GARLK	471841	21158-4775	GARLK	417526*	21158-4988	GARLK	470774!	21158-5957	GARLK	471413!*
21158-3889	GARLK	450965*	21158-4780	GARLK	416892!*	21158-4991	GARLK	455480!*	21158-5959	GARLK	415090*
21158-3902	GARLK	455080*	21158-4781	GARLK	471549!	21158-4992	GARLK	473237!*	21158-5960	GARLK	417606*
21158-3904	GARLK	472234*	21158-4783	GARLK	417541!*	21158-4998	GARLK	417486*	21158-5966	GARLK	472179
21158-3949	GARLK	455966	21158-4784	GARLK	415072*	21158-5002	GARLK	415683*	21158-5968	GARLK	473474
21158-4484	GARLK	455396*	21158-4785	GARLK	415124*	21158-5005	GARLK	472179	21158-5969	GARLK	455509
21158-4560	GARLK	415294!	21158-4787	GARLK	476470	21158-5007	GARLK	472287!*	21158-5978	GARLK	473380*
21158-4579	GARLK	470088	21158-4788	GARLK	415066*	21158-5008	GARLK	415437!	21158-5980	GARLK	412119!
21158-4580	GARLK	415023	21158-4789	GARLK	415327*	21158-5008	GARLK	415437	21158-5981	GARLK	55078S*
21158-4584	GARLK	473197	21158-4790	GARLK	416288!*	21158-5025	GARLK	416288!*	21158-5983	GARLK	415036*
21158-4586	GARLK	471570!	21158-4792	GARLK	471354!*	21158-5028	GARLK	455476*	21158-6028F1	GARLK	472185!
21158-4589	GARLK	450400*	21158-4800	GARLK	417020*	21158-5030	GARLK	415023	21158-6062	GARLK	472810!
21158-4590	GARLK	472164!	21158-4801	GARLK	415227!*	21158-5031	GARLK	415072*	21158-6099	GARLK	481397*
21158-4592	GARLK	470898!	21158-4802	GARLK	450545	21158-5041	GARLK	471538!*	21158-6127	GARLK	471231!
21158-4593	GARLK	411330!*	21158-4803	GARLK	55532=	21158-5041F1	GARLK	471538!	21158-6141F1	GARLK	473244!
21158-4600	GARLK	474256	21158-4804	GARLK	417487	21158-5043	GARLK	415371*	21158-6192	GARLK	470806*
21158-4603	GARLK	471231!	21158-4805	GARLK	55228*=	21158-5049	GARLK	415034!	21158-6224	GARLK	480630!
21158-4605	GARLK	471554!	21158-4806	GARLK	455129*	21158-5050	GARLK	350364*	21158-6230	GARLK	473231
21158-4610	GARLK	415871*	21158-4808	GARLK	417247!*	21158-5051	GARLK	417539!*	21158-6231	GARLK	473231
21158-4640	GARLK	415991	21158-4809	GARLK	415294!	21158-5053	GARLK	473242*	21158-6245	GARLK	450400*
21158-4640	GARLK	455146!	21158-4825	GARLK	417254*	21158-5059	GARLK	417351!	21158-6252	GARLK	472164!
21158-4645	GARLK	450143	21158-4828	GARLK	416865!*	21158-5060	GARLK	455336*	21158-6266	GARLK	417474*
21158-4646	GARLK	412119!	21158-4832	GARLK	415303!*	21158-5061	GARLK	415483!	21158-6271	GARLK	470625!*
21158-4651	GARLK	415035	21158-4836	GARLK	417247!*	21158-5063	GARLK	55028*	21158-6272	GARLK	472492!
21158-4651	GARLK	415035!	21158-4837	GARLK	415196!*	21158-5066	GARLK	415045!*	21158-6289	GARLK	471498*
21158-4652	GARLK	416239!*	21158-4838	GARLK	413469!*	21158-5078	GARLK	472397!*	21158-6300	GARLK	476514
21158-4654	GARLK	417172*	21158-4838F1	GARLK	413469!	21158-5079	GARLK	416339	21158-6328	GARLK	417621!
21158-4659	GARLK	473244	21158-4844	GARLK	415001!	21158-5079	GARLK	455031!	21158-6333	GARLK	455330!*
21158-4665	GARLK	472636!	21158-4847	GARLK	471539!	21158-5082	GARLK	450124=	21158-6335	GARLK	455583N!*
21158-4667	GARLK	55548*	21158-4854	GARLK	415035	21158-5208F1	GARLK	417211!	21158-6340	GARLK	417600*
21158-4668	GARLK	417541*	21158-4855	GARLK	481537*	21158-5256F1	GARLK	472179	21158-6353	GARLK	473405*
21158-4669	GARLK	416892!*	21158-4861	GARLK	473226*	21158-5268F1	GARLK	473440!	21158-6356	GARLK	476470*
21158-4670	GARLK	472924!	21158-4862	GARLK	471870!	21158-5283F1	GARLK	472492!	21158-6358	GARLK	415991
21158-4671	GARLK	471504!	21158-4865	GARLK	417254*	21158-5295	GARLK	471744*	21158-6358	GARLK	455146!
21158-4672	GARLK	472164!	21158-4871	GARLK	470954!*	21158-5387F1	GARLK	415449!	21158-6359	GARLK	416332!
21158-4677	GARLK	472560N!	21158-4872	GARLK	417597*	21158-5387R1	GARLK	415449!	21158-6360	GARLK	415035
21158-4681	GARLK	415124*	21158-4873	GARLK	416888!	21158-5393	GARLK	473367!	21158-6360	GARLK	415035!
21158-4682	GARLK	417351!*	21158-4874	GARLK	55392*=	21158-5393	GARLK	473367	21158-6361	GARLK	415196!*
21158-4686	GARLK	417344!	21158-4876	GARLK	455406!*	21158-5394F1	GARLK	471785!	21158-6363	GARLK	416888!
21158-4687	GARLK	472184=	21158-4878	GARLK	417602!*	21158-5398	GARLK	412871!	21158-6365	GARLK	415725!*
21158-4688	GARLK	415645!	21158-4882	GARLK	417262!	21158-5496	GARLK	473439!	21158-6366	GARLK	417549!*
21158-4688	GARLK	455104	21158-4883	GARLK	417269!	21158-5501	GARLK	450523	21158-6369	GARLK	417515*
21158-4691	GARLK	473475*	21158-4891	GARLK	471862*	21158-5560	GARLK	411253!	21158-6370	GARLK	416229*
21158-4693	GARLK	472144!*	21158-4897	GARLK	415025*	21158-5581	GARLK	415458!	21158-6374	GARLK	416364!*
21158-4695	GARLK	416229*	21158-4899	GARLK	455536*	21158-5656	GARLK	473426	21158-6375	GARLK	416239!*
21158-4710	GARLK	455026*	21158-4900	GARLK	471391!*	21158-5657F1	GARLK	471466!	21158-6378	GARLK	415867*
21158-4712	GARLK	456105*	21158-4902	GARLK	471269!	21158-5688	GARLK	470898=	21158-6385	GARLK	417603!
21158-4717	GARLK	455019!*	21158-4904	GARLK	416556!	21158-5704	GARLK	471737	21158-6387	GARLK	55301S*
21158-4718	GARLK	473212!*	21158-4904	GARLK	472157	21158-5886	GARLK	455008*	21158-6389	GARLK	55222*=
21158-4720	GARLK	416107!	21158-4907	GARLK	50026*	21158-5887	GARLK	473446*	21158-6390	GARLK	55239*=
21158-4720	GARLK	455073	21158-4908F1	GARLK	471529	21158-5892	GARLK	416888!	21158-6391	GARLK	417605*
21158-4723	GARLK	417134	21158-4912	GARLK	415150!*	21158-5893	GARLK	472810!	21158-6395	GARLK	415482*
21158-4727	GARLK	416865!*	21158-4914	GARLK	416271!*	21158-5897	GARLK	455080*	21158-6411	GARLK	471413*
21158-4729	GARLK	457874	21158-4916	GARLK	470898!	21158-5900	GARLK	473466*	21158-6413	GARLK	417247!*
21158-4732	GARLK	417196!*	21158-4924	GARLK	417597*	21158-5906	GARLK	417020*	21158-6414	GARLK	473460*
21158-4734	GARLK	415082*	21158-4925	GARLK	417606*	21158-5907	GARLK	416404!*	21158-6415	GARLK	471554!
21158-4735	GARLK	411376!	21158-4928	GARLK	416154!*	21158-5912	GARLK	417548*	21158-6418	GARLK	415295*
21158-4735F1	GARLK	411376!	21158-4929	GARLK	455462*	21158-5913	GARLK	472018*	21158-6422	GARLK	417598*
21158-4736	GARLK	55028*	21158-4934	GARLK	415066*	21158-5914	GARLK	473010	21158-6431	GARLK	455022*
21158-4738	GARLK	417621!	21158-4938	GARLK	412920!	21158-5920	GARLK	417567*	21158-6433	GARLK	416364!*
21158-4740	GARLK	414045!*	21158-4938F1	GARLK	412920!	21158-5922	GARLK	417349*	21158-6434	GARLK	417357
21158-4745	GARLK	415991	21158-4945	GARLK	416738!	21158-5925	GARLK	417486*	21158-6434	GARLK	455192!
21158-4745	GARLK	455146!	21158-4945	GARLK	450096	21158-5929	GARLK	415551*	21158-6437	GARLK	416239!*
21158-4752	GARLK	417512*	21158-4958	GARLK	411394!	21158-5930	GARLK	417211!*	21158-6438	GARLK	472397!
21158-4754	GARLK	471554!	21158-4959	GARLK	416268	21158-5933	GARLK	55301S*	21158-6438R1	GARLK	472397!
21158-4766	GARLK	473232	21158-4965	GARLK	451031=	21158-5937	GARLK	482310	21158-6439	GARLK	417350!
21158-4766R1	GARLK	473232!	21158-4966	GARLK	417247!*	21158-5938	GARLK	415371*	21158-6440	GARLK	471272!
21158-4768	GARLK	415482*	21158-4967	GARLK	417549!*	21158-5945	GARLK	417278*	21158-6444	GARLK	416654!

! Industrial Size/Type * Minor Width Difference

= The U.S. customer service number is 877-4-TIMKEN. The Canadian customer service numbers are 800-565-4927 (English) and 800-565-0438 (French-Canadian).

NUMERICAL INTERCHANGE

Mfr. No.	Name	Zero Duplication or Recommended Industrial	Mfr. No.	Name	Zero Duplication or Recommended Industrial	Mfr. No.	Name	Zero Duplication or Recommended Industrial	Mfr. No.	Name	Zero Duplication or Recommended Industrial
21158-6446	GARLK	412473!	21158-6584	GARLK	476470	21158-6745R1	GARLK	471766!	21158-6927	GARLK	471554!
21158-6450	GARLK	471619!	21158-6585	GARLK	455655!*	21158-6746	GARLK	415683*	21158-6927F1	GARLK	471554!
21158-6451	GARLK	417488!*	21158-6586	GARLK	415090*	21158-6750	GARLK	415645!	21158-6931	GARLK	55441!*
21158-6456	GARLK	415449!	21158-6588	GARLK	416654!	21158-6750	GARLK	455104	21158-6934	GARLK	473235!*
21158-6459F1	GARLK	470565!	21158-6588R1	GARLK	416654!	21158-6753	GARLK	474265	21158-6937	GARLK	470625!
21158-6461	GARLK	456105*	21158-6590	GARLK	416332!	21158-6755F1	GARLK	471224!	21158-6937R1	GARLK	470625!
21158-6462	GARLK	473225!*	21158-6592	GARLK	473450	21158-6757	GARLK	411376!	21158-6938	GARLK	417269!
21158-6465	GARLK	415449!	21158-6593	GARLK	472015!	21158-6760	GARLK	417603!*	21158-6939	GARLK	417541!*
21158-6465R1	GARLK	415449!	21158-6599	GARLK	416921!	21158-6762	GARLK	417134*	21158-6946	GARLK	417539!*
21158-6466	GARLK	471763!*	21158-6600	GARLK	416345!	21158-6764	GARLK	455015*	21158-6947	GARLK	416364!*
21158-6467	GARLK	417316!	21158-6600	GARLK	455033	21158-6765	GARLK	417278*	21158-6949	GARLK	415138!*
21158-6468	GARLK	416071!*	21158-6602	GARLK	457874*	21158-6767	GARLK	415035	21158-6950	GARLK	450869*
21158-6469	GARLK	472394*	21158-6603	GARLK	415725!*	21158-6768	GARLK	417020	21158-6952	GARLK	417362!*
21158-6469R1	GARLK	472394	21158-6604	GARLK	472015!	21158-6770	GARLK	417604	21158-6955	GARLK	471141!
21158-6470	GARLK	471689!	21158-6605	GARLK	473243*	21158-6773	GARLK	415551*	21158-6957	GARLK	470354*
21158-6470F1	GARLK	471689!*	21158-6608	GARLK	471870!	21158-6774	GARLK	473214	21158-6959	GARLK	455476*
21158-6471	GARLK	417316!	21158-6610	GARLK	473228	21158-6774R1	GARLK	473214!	21158-6961	GARLK	474264
21158-6474	GARLK	470682*	21158-6616	GARLK	455476*	21158-6794	GARLK	473367!	21158-6966	GARLK	455655!*
21158-6475	GARLK	471835!	21158-6630	GARLK	55367!*	21158-6794	GARLK	473367	21158-6968	GARLK	415021!*
21158-6478	GARLK	471272!	21158-6632	GARLK	455151	21158-6795	GARLK	471341!	21158-6971	GARLK	471558*
21158-6479R1	GARLK	471192	21158-6634	GARLK	415116*	21158-6796	GARLK	417362!*	21158-6975	GARLK	9568*
21158-6484	GARLK	416666*	21158-6635	GARLK	417542*	21158-6797	GARLK	455330!*	21158-6978	GARLK	415196!*
21158-6487	GARLK	471887*	21158-6638	GARLK	473240!*	21158-6798	GARLK	415559*	21158-6981	GARLK	455194*
21158-6489	GARLK	476470	21158-6639	GARLK	473197	21158-6799	GARLK	415035	21158-6982	GARLK	416345!
21158-6497	GARLK	417487	21158-6640	GARLK	415725!*	21158-68	GARLK	471281!	21158-6982	GARLK	455033
21158-6499	GARLK	417487	21158-6644	GARLK	457874	21158-6800	GARLK	417082*	21158-6984	GARLK	471564*
21158-6500	GARLK	471267!*	21158-6645	GARLK	415991	21158-6802	GARLK	455480!*	21158-6990	GARLK	415035
21158-6502	GARLK	416288!*	21158-6645	GARLK	455146!	21158-6806	GARLK	416339	21158-6991	GARLK	416125!*
21158-6506	GARLK	471271!	21158-6651	GARLK	417343!*	21158-6806	GARLK	455031!	21158-6992	GARLK	476838!
21158-6506F1	GARLK	471271!	21158-6652	GARLK	417496*	21158-6832	GARLK	472179	21158-6993F1	GARLK	471765!
21158-6510	GARLK	417600*	21158-6654	GARLK	472138	21158-6832R1	GARLK	472179	21158-6995	GARLK	471138!*
21158-6511	GARLK	415088!	21158-6658	GARLK	471276*	21158-6833	GARLK	417606*	21158-70	GARLK	471535!
21158-6511	GARLK	415088	21158-6664	GARLK	415379	21158-6835	GARLK	417509*	21158-7007	GARLK	472810!
21158-6513	GARLK	416167!	21158-6664	GARLK	415379!	21158-6838	GARLK	9568*	21158-7039	GARLK	471539!
21158-6515	GARLK	455434*	21158-6665	GARLK	417541*	21158-6839	GARLK	476470*	21158-7060	GARLK	474256
21158-6516	GARLK	473231	21158-6667R1	GARLK	470380!	21158-6840	GARLK	417506*	21158-7069	GARLK	470774!
21158-6517	GARLK	471808!*	21158-6668	GARLK	413478*	21158-6842	GARLK	417020*	21158-7072	GARLK	474264
21158-6521	GARLK	455462*	21158-6670	GARLK	415294!	21158-6844	GARLK	455397*	21158-7081	GARLK	473237!*
21158-6522	GARLK	471984*	21158-6675R1	GARLK	471801!	21158-6847	GARLK	417526*	21158-7090	GARLK	471271!
21158-6522R1	GARLK	471984	21158-6678	GARLK	417082*	21158-6853	GARLK	472394*	21158-7091	GARLK	415082*
21158-6523	GARLK	471267!*	21158-6679	GARLK	417191	21158-6857	GARLK	471692!	21158-7099	GARLK	472924!
21158-6523F1	GARLK	471267!*	21158-6679	GARLK	456585	21158-6858	GARLK	55141*	21158-7099F1	GARLK	472924!*
21158-6524F1	GARLK	471649!	21158-6680	GARLK	416921!	21158-6860	GARLK	473010	21158-7101	GARLK	417604
21158-6528	GARLK	418028	21158-6680F1	GARLK	416921!	21158-6860R1	GARLK	473010!	21158-7104	GARLK	415458!
21158-6528	GARLK	455137!	21158-6682	GARLK	472636!	21158-6860T2	GARLK	473010!	21158-7110	GARLK	416888!
21158-6529	GARLK	473224!*	21158-6687	GARLK	415077*	21158-6864	GARLK	417073*	21158-7114	GARLK	415551!*
21158-6530	GARLK	415072*	21158-6692	GARLK	417355!*	21158-6865	GARLK	417481*	21158-7115	GARLK	415991
21158-6534	GARLK	415991	21158-67	GARLK	471281!	21158-6866	GARLK	412871!	21158-7115	GARLK	455146!
21158-6534	GARLK	455146!	21158-6700	GARLK	415302*	21158-6868	GARLK	417351!	21158-7120	GARLK	417366!*
21158-6541	GARLK	411245!	21158-6700F1	GARLK	415302	21158-6870	GARLK	455134!*	21158-7121	GARLK	473437*
21158-6545	GARLK	415711*	21158-6701	GARLK	473214	21158-6871	GARLK	417515*	21158-7125	GARLK	473231
21158-6546	GARLK	472439*	21158-6705	GARLK	471821!	21158-6872	GARLK	417362!*	21158-7126	GARLK	470596*
21158-6547	GARLK	473237!*	21158-6706	GARLK	473464!	21158-6888	GARLK	417584*	21158-7128	GARLK	416666*
21158-6548	GARLK	473243*	21158-6706	GARLK	473464	21158-6892	GARLK	416239!*	21158-7130	GARLK	471316
21158-6549	GARLK	473405*	21158-6707	GARLK	417554!*	21158-6893	GARLK	416865!*	21158-7134	GARLK	416154!*
21158-6550	GARLK	417605*	21158-6708	GARLK	476470	21158-6895	GARLK	455406!*	21158-7140	GARLK	472029*
21158-6551	GARLK	473228	21158-6711	GARLK	415725!*	21158-6896	GARLK	481073*	21158-7141	GARLK	416556!
21158-6551R1	GARLK	473228!	21158-6713	GARLK	417601*	21158-6898	GARLK	470565!*	21158-7141	GARLK	472157
21158-6554	GARLK	473236!*	21158-6714	GARLK	415988*	21158-6898R1	GARLK	470565!	21158-7145	GARLK	472012*
21158-6556	GARLK	417357	21158-6716	GARLK	416664!	21158-6899	GARLK	473229	21158-7145F1	GARLK	472012
21158-6556	GARLK	455192!	21158-6722	GARLK	417601*	21158-69	GARLK	471535!*	21158-7146	GARLK	350435*
21158-6560	GARLK	412040*	21158-6723	GARLK	417488!*	21158-6900	GARLK	417316!	21158-7152	GARLK	473367!
21158-6563	GARLK	415045!*	21158-6730	GARLK	417344!	21158-6901	GARLK	416332!	21158-7152	GARLK	473367
21158-6564	GARLK	415551*	21158-6730R1	GARLK	417344!	21158-6904	GARLK	472397!	21158-7152F1	GARLK	473367
21158-6565	GARLK	417357	21158-6732	GARLK	417760*	21158-6904F1	GARLK	472397!	21158-7153	GARLK	417350!
21158-6565	GARLK	455192!	21158-6733	GARLK	330385!	21158-6907	GARLK	415027*	21158-7154	GARLK	415036*
21158-6568	GARLK	415035	21158-6734	GARLK	416154!*	21158-6914	GARLK	416476!	21158-7155	GARLK	415072*
21158-6568	GARLK	415035!	21158-6739	GARLK	417621!	21158-6917	GARLK	417525*	21158-7159	GARLK	455005*
21158-6573	GARLK	415090*	21158-6741	GARLK	417254*	21158-6920	GARLK	415294!	21158-7160	GARLK	472016*
21158-6576	GARLK	470774!	21158-6741F1	GARLK	417254	21158-6921	GARLK	455462*	21158-7162	GARLK	415351!*
21158-6578	GARLK	415449!	21158-6744F1	GARLK	471981	21158-6923	GARLK	415711*	21158-7164	GARLK	473455!
21158-6581	GARLK	417603!*	21158-6745	GARLK	471766!	21158-6924	GARLK	416666*	21158-7165	GARLK	416891!*

! Industrial Size/Type *Minor Width Difference

= The U.S. customer service number is 877-4-TIMKEN. The Canadian customer service numbers are 800-565-4927 (English) and 800-565-0438 (French-Canadian).

OIL SEALS

21158-7174 – 21158-8265

Mfr. No.	Name	Zero Duplication or Recommended Industrial	Mfr. No.	Name	Zero Duplication or Recommended Industrial	Mfr. No.	Name	Zero Duplication or Recommended Industrial	Mfr. No.	Name	Zero Duplication or Recommended Industrial
21158-7174	GARLK	472018*	21158-7341F1	GARLK	472475	21158-7594	GARLK	416271!*	21158-7829F1	GARLK	416664!
21158-7177	GARLK	416706!	21158-7342	GARLK	415645!	21158-7603	GARLK	416476!	21158-7837	GARLK	417513*
21158-7178	GARLK	55199* =	21158-7342	GARLK	455104	21158-7610	GARLK	417549!*	21158-7839	GARLK	417252*
21158-7186	GARLK	471760*	21158-7346	GARLK	451948*	21158-7611	GARLK	417198*	21158-7840	GARLK	55357*
21158-7187	GARLK	415483!	21158-7347	GARLK	415027	21158-7612	GARLK	415072*	21158-7842	GARLK	472020*
21158-7192	GARLK	415379	21158-7347	GARLK	415027!	21158-7615	GARLK	415027!	21158-7846	GARLK	482089=
21158-7192	GARLK	415379!	21158-7348	GARLK	417535*	21158-7615	GARLK	415027	21158-7861	GARLK	415196!*
21158-7194	GARLK	412473!	21158-7349	GARLK	475384*	21158-7616	GARLK	416332!	21158-7864	GARLK	450285*
21158-7196	GARLK	415960!	21158-7350	GARLK	415991	21158-7626	GARLK	417549!*	21158-7873	GARLK	473231
21158-7197	GARLK	415995!	21158-7350	GARLK	455146!	21158-7629	GARLK	417562*	21158-7877	GARLK	415066*
21158-7197T2	GARLK	415995!	21158-7353	GARLK	417601*	21158-7633	GARLK	471887*	21158-7879	GARLK	417780*
21158-7197T2	GARLK	415995!	21158-7357	GARLK	412473!	21158-7639F1	GARLK	471887	21158-7880	GARLK	416556!
21158-7198	GARLK	482089=	21158-7364	GARLK	455019!*	21158-7642	GARLK	416294!*	21158-7880	GARLK	472157
21158-7199	GARLK	417487	21158-7366	GARLK	417550*	21158-7646	GARLK	473454	21158-79	GARLK	473405*
21158-7205	GARLK	416153!	21158-7368	GARLK	455480!*	21158-7649	GARLK	472018*	21158-7907	GARLK	470950!
21158-7206	GARLK	415711*	21158-7370F1	GARLK	472164!	21158-7652	GARLK	417541*	21158-7907	GARLK	6241S
21158-7210	GARLK	455151*	21158-7371	GARLK	415551*	21158-7653	GARLK	415076*	21158-7909	GARLK	417602!*
21158-7215R1	GARLK	471689!	21158-7372	GARLK	471808!*	21158-7659	GARLK	415034!	21158-7915	GARLK	471835!
21158-7220	GARLK	455191*	21158-7372F1	GARLK	471808!	21158-7668	GARLK	417316!	21158-7922	GARLK	55223* =
21158-7221	GARLK	416313*	21158-7374	GARLK	476470	21158-7669	GARLK	417298*	21158-7934	GARLK	55469*
21158-7223	GARLK	472319*	21158-7375	GARLK	417596*	21158-7670	GARLK	476470	21158-7937	GARLK	2081
21158-7224	GARLK	415001!	21158-7382	GARLK	411253!	21158-7671	GARLK	415259!*	21158-7941	GARLK	455509*
21158-7226	GARLK	474264	21158-7386	GARLK	472258!*	21158-7677	GARLK	472319*	21158-7993	GARLK	417273*
21158-7229	GARLK	455189*	21158-7389	GARLK	415379	21158-7684	GARLK	473234	21158-80	GARLK	473405
21158-7230	GARLK	415437	21158-7389	GARLK	415379!	21158-7685	GARLK	415938*	21158-8063	GARLK	350974!
21158-7230	GARLK	415437!	21158-7390	GARLK	471766!	21158-7686	GARLK	415041*	21158-8067	GARLK	472644
21158-7231	GARLK	417354!*	21158-7390F1	GARLK	471766!	21158-7687	GARLK	481792	21158-8074	GARLK	471827!*
21158-7233	GARLK	415551*	21158-7402	GARLK	415088!	21158-7689	GARLK	416158*	21158-8081	GARLK	450819*
21158-7238	GARLK	450104*	21158-7402	GARLK	415088	21158-7690	GARLK	415187*	21158-81	GARLK	471558
21158-7241	GARLK	455406!*	21158-7409	GARLK	416107!	21158-7695	GARLK	474281!	21158-8102	GARLK	455556*
21158-7245	GARLK	415371*	21158-7409	GARLK	455073	21158-77	GARLK	471532*	21158-8104	GARLK	472299*
21158-7247	GARLK	417562*	21158-7418	GARLK	415683*	21158-7700	GARLK	413246	21158-8111	GARLK	417196!*
21158-7248	GARLK	473459	21158-7419	GARLK	476470	21158-7717	GARLK	417171!*	21158-8112	GARLK	417511
21158-7249	GARLK	415960!	21158-7420	GARLK	472029*	21158-7722	GARLK	472157	21158-8117	GARLK	415023
21158-7253	GARLK	415027	21158-7423	GARLK	6936S	21158-7722	GARLK	472157!	21158-8120	GARLK	415371*
21158-7253	GARLK	415027!	21158-7433	GARLK	415072*	21158-7723	GARLK	472636!	21158-8127	GARLK	416891!*
21158-7254	GARLK	473234	21158-7435	GARLK	472020*	21158-7745	GARLK	417556*	21158-8128	GARLK	417355!*
21158-7254F1	GARLK	473234!	21158-7436	GARLK	415327*	21158-7746	GARLK	450908=	21158-8129	GARLK	470774!
21158-7255	GARLK	417351!	21158-7439	GARLK	55199* =	21158-7747	GARLK	417484!	21158-8131	GARLK	450285*
21158-7258	GARLK	416892!*	21158-7440	GARLK	415379	21158-7749	GARLK	417534*	21158-8140	GARLK	455462*
21158-7259	GARLK	450133*	21158-7440	GARLK	415379!	21158-7752	GARLK	471760*	21158-8151	GARLK	415991
21158-7264	GARLK	473446*	21158-7448	GARLK	415036*	21158-7758	GARLK	417601*	21158-8151	GARLK	455146!
21158-7265	GARLK	417362!*	21158-7510	GARLK	472311!	21158-7759	GARLK	457874	21158-8153	GARLK	415458!
21158-7269	GARLK	415437	21158-7516	GARLK	474278!	21158-7764	GARLK	416273!	21158-8154	GARLK	416404!*
21158-7269	GARLK	415437!	21158-7518	GARLK	471766!	21158-7765	GARLK	418028	21158-8156	GARLK	417171!*
21158-7270	GARLK	417181!*	21158-7523	GARLK	471862*	21158-7765	GARLK	455137!	21158-8161	GARLK	415045!*
21158-7272	GARLK	472492!	21158-7542	GARLK	417349*	21158-7767	GARLK	471829	21158-8165	GARLK	415066*
21158-7276	GARLK	416077*	21158-7542F1	GARLK	417349!	21158-7768	GARLK	450307*	21158-8169	GARLK	457874*
21158-7277	GARLK	417474	21158-7544	GARLK	415437	21158-7772	GARLK	455820*	21158-8173	GARLK	416077*
21158-7280	GARLK	471821!	21158-7544	GARLK	415437!	21158-7774	GARLK	415227!*	21158-8187	GARLK	472475*
21158-7282	GARLK	416339	21158-7549	GARLK	413246	21158-7775	GARLK	455556*	21158-8187R1	GARLK	472475
21158-7282	GARLK	455031!	21158-7551	GARLK	415088!	21158-7776	GARLK	415458!	21158-8188	GARLK	455019!*
21158-7284	GARLK	417539!*	21158-7551	GARLK	415088	21158-7776F1	GARLK	415458!	21158-8192	GARLK	417273*
21158-7285	GARLK	411245!	21158-7554	GARLK	415683!	21158-7780	GARLK	415128*	21158-82	GARLK	471558*
21158-7289	GARLK	417191	21158-7555	GARLK	471984*	21158-7783	GARLK	417604*	21158-8205	GARLK	417596
21158-7289	GARLK	456585	21158-7555F1	GARLK	471984	21158-7784	GARLK	417181!*	21158-8208	GARLK	417513*
21158-7291	GARLK	416891!*	21158-7559	GARLK	417356!	21158-7785	GARLK	455123*	21158-8213	GARLK	472636!
21158-7292	GARLK	417316!	21158-7559	GARLK	455188	21158-7786	GARLK	455123*	21158-8214	GARLK	455820*
21158-7299	GARLK	471529*	21158-7560	GARLK	416154!*	21158-7787	GARLK	417351!	21158-8222	GARLK	417621!
21158-7307	GARLK	472164!	21158-7561	GARLK	417602!*	21158-7791	GARLK	416339	21158-8224	GARLK	455191*
21158-7313	GARLK	418028	21158-7562	GARLK	415219*	21158-7791	GARLK	455031!	21158-8231	GARLK	417191
21158-7313	GARLK	455137!	21158-7563	GARLK	472492!	21158-7795	GARLK	417247!*	21158-8231	GARLK	456585
21158-7314	GARLK	55199* =	21158-7564	GARLK	471271!	21158-7796	GARLK	455584*	21158-8233	GARLK	476470*
21158-7317	GARLK	417562*	21158-7566	GARLK	416865!*	21158-78	GARLK	471532	21158-8238	GARLK	417606*
21158-7318	GARLK	455406!*	21158-7567F1	GARLK	471192	21158-7803	GARLK	415196!*	21158-8243	GARLK	415072*
21158-7320	GARLK	471424!*	21158-7568	GARLK	470625!	21158-7812	GARLK	416345!	21158-8245	GARLK	417487
21158-7324	GARLK	415027*	21158-7568F1	GARLK	470625!*	21158-7812	GARLK	455033	21158-8248	GARLK	470950!
21158-7327	GARLK	471887*	21158-7572	GARLK	417316!	21158-7814	GARLK	415035	21158-8248	GARLK	6241S
21158-7328	GARLK	415995!	21158-7574	GARLK	415303!*	21158-7819	GARLK	416167!	21158-8251	GARLK	417596*
21158-7328F1	GARLK	415995!	21158-7578	GARLK	416153!	21158-7824	GARLK	415090*	21158-8252	GARLK	415294!
21158-7332	GARLK	415027*	21158-7590	GARLK	472157!	21158-7825	GARLK	417597*	21158-8262	GARLK	415124*
21158-7334	GARLK	455144*	21158-7590	GARLK	472157	21158-7829	GARLK	416664!	21158-8265	GARLK	481792*

! Industrial Size/Type * Minor Width Difference

= The U.S. customer service number is 877-4-TIMKEN. The Canadian customer service numbers are 800-565-4927 (English) and 800-565-0438 (French-Canadian).

NUMERICAL INTERCHANGE

Mfr. No.	Name	Zero Duplication or Recommended Industrial	Mfr. No.	Name	Zero Duplication or Recommended Industrial	Mfr. No.	Name	Zero Duplication or Recommended Industrial	Mfr. No.	Name	Zero Duplication or Recommended Industrial
21158-8266	GARLK	473444	21158-8643	GARLK	472572!	21158-8903	GARLK	417191	211580661	GARLK	470487!
21158-8270	GARLK	410308!	21158-8646	GARLK	450068 *	21158-8903	GARLK	456585	211580778	GARLK	474274
21158-8274	GARLK	473239	21158-8652	GARLK	50254 * =	21158-8904	GARLK	416107!	211580780	GARLK	474274
21158-8278	GARLK	416153!	21158-8657	GARLK	417262!	21158-8904	GARLK	455073	211584483	GARLK	415442!
21158-8280	GARLK	415379	21158-8662	GARLK	417020 *	21158-8907	GARLK	415045! *	211584483	GARLK	55442
21158-8280	GARLK	415379!	21158-8663	GARLK	417541 *	21158-8912	GARLK	417542 *	211584662	GARLK	470506!
21158-8284	GARLK	474256	21158-8665	GARLK	417603! *	21158-8917	GARLK	415090 *	211584704	GARLK	471785!
21158-8292	GARLK	473458! *	21158-8668	GARLK	455685 *	21158-9009	GARLK	471688 *	211584842	GARLK	471472!
21158-8293	GARLK	473238! *	21158-8676	GARLK	417159	21158-9013	GARLK	352541 *	2115850	GARLK	471442!
21158-8300	GARLK	415327 *	21158-8678	GARLK	417366! *	21158-903F1	GARLK	470605!	211585713	GARLK	473227
21158-8306	GARLK	416107! *	21158-8679	GARLK	455151 *	21158-91	GARLK	471255!	211586	CLARK	473214
21158-8306	GARLK	455073	21158-8680	GARLK	415227! *	21158-9234F1	GARLK	473445	211586430	GARLK	471785!
21158-8309	GARLK	417538 *	21158-8681	GARLK	417501 *	21158-93	GARLK	471564	211586457	GARLK	450129
21158-8310	GARLK	417539! *	21158-8682	GARLK	470645 *	21158-9345	GARLK	471733	211586457	GARLK	472826!
21158-8311	GARLK	415437	21158-8683	GARLK	417511 *	21158-94	GARLK	471564 *	211586479	GARLK	471192
21158-8311	GARLK	415437!	21158-8696	GARLK	417485 *	21158-9481	GARLK	417486	211586580	GARLK	450593!
21158-8312F1	GARLK	471750!	21158-8697	GARLK	417509 *	21158-95	GARLK	471612	211586637	GARLK	471466!
21158-8328	GARLK	455197N *	21158-8698	GARLK	455297 *	21158-9501	GARLK	330385!	211586667	GARLK	470059
21158-8330	GARLK	416154! *	21158-87	GARLK	471466!	21158-9515	GARLK	471267! *	211586667	GARLK	470380!
21158-8331	GARLK	417258 *	21158-8700	GARLK	418028	21158-96	GARLK	471612	211586674	GARLK	471795
21158-8353	GARLK	476535	21158-8700	GARLK	455137!	21158-9633	GARLK	480281!	211586675	GARLK	450165
21158-8384	GARLK	415867 *	21158-8704	GARLK	470625!	21158-97	GARLK	481528	211586675	GARLK	471801!
21158-8396	GARLK	415937! *	21158-8705	GARLK	480281!	21158-98	GARLK	481528	211586749	GARLK	471255!
21158-8400	GARLK	415142 *	21158-8708	GARLK	417780 *	21158-9833F1	GARLK	471192	211586856	GARLK	471255!
21158-8401	GARLK	473454	21158-8712	GARLK	415645!	21158-9943F1	GARLK	471829	211586993	GARLK	471765!
21158-8404	GARLK	413469! *	21158-8712	GARLK	455104	211580121	GARLK	470506!	2115871	GARLK	471551!
21158-8409	GARLK	471633! *	21158-8724	GARLK	473463 *	211580169	GARLK	474273	211587137	GARLK	470059
21158-8410	GARLK	417512 *	21158-8726	GARLK	417349 *	211580214	GARLK	450398	211587137	GARLK	470380!
21158-8416	GARLK	410737!	21158-8728	GARLK	470605! *	211580214	GARLK	471267!	211587176	GARLK	471192
21158-8417	GARLK	455584 *	21158-8731	GARLK	417356!	211580220	GARLK	471646!	211587195	GARLK	480630!
21158-8419	GARLK	415138! *	21158-8731	GARLK	455188	211580287	GARLK	471224!	2115872	GARLK	471551!
21158-8423	GARLK	415072 *	21158-8732	GARLK	473239	211580294	GARLK	471689!	211587262	GARLK	474274
21158-8430	GARLK	456105 *	21158-8734	GARLK	471820 *	211580296	GARLK	450593!	211587358	GARLK	471646!
21158-8437	GARLK	55301S *	21158-8736	GARLK	415072 *	211580351	GARLK	471652	211587391	GARLK	474255
21158-8442	GARLK	417252 *	21158-8738	GARLK	470565! *	211580352	GARLK	471652	211587447	GARLK	470059
21158-8443	GARLK	416229 *	21158-8744	GARLK	417357	211580357	GARLK	470712!	211587447	GARLK	470380!
21158-8460	GARLK	416891! *	21158-8744	GARLK	455192!	211580358	GARLK	470712!	211587661	GARLK	471192
21158-8462	GARLK	415090 *	21158-8745	GARLK	416891! *	211580361	GARLK	471785!	211587675	GARLK	471787!
21158-8466	GARLK	417509 *	21158-8747	GARLK	415867 *	211580362	GARLK	471785!	211587831	GARLK	471646!
21158-8469	GARLK	415871 *	21158-8752	GARLK	417362! *	211580387	GARLK	471765!	211588135	GARLK	473227
21158-8470	GARLK	417159 *	21158-8755	GARLK	55223 * =	211580388	GARLK	471765!	211588267	GARLK	471551!
21158-8471	GARLK	417556 *	21158-8756	GARLK	417020 *	211580394	GARLK	473205	211588272	GARLK	471472!
21158-8477	GARLK	455026 *	21158-8757	GARLK	417494 *	211580397	GARLK	474255	211588275	GARLK	450165
21158-8488	GARLK	455566 *	21158-8758	GARLK	417020 *	211580398	GARLK	474255	211588275	GARLK	471801!
21158-8494	GARLK	415482 *	21158-8775	GARLK	417298 *	211580399	GARLK	474255	211588314	GARLK	471765!
21158-8498	GARLK	471341! *	21158-8778	GARLK	416163 *	211580424	GARLK	471750!	211588342	GARLK	450557
21158-8521	GARLK	412040 *	21158-8780	GARLK	415991	211580425	GARLK	471750!	211588342	GARLK	471255!
21158-8529	GARLK	417597 *	21158-8780	GARLK	455146!	211580426	GARLK	471750!	2115888	GARLK	471466!
21158-8530	GARLK	416664!	21158-8787	GARLK	415259! *	211580430	GARLK	471787!	211588879	GARLK	450593!
21158-8551	GARLK	416149 *	21158-8790	GARLK	473441 *	211580431	GARLK	471787!	2115892	GARLK	471255!
21158-8556	GARLK	417507 *	21158-8797	GARLK	413247!	211580436	GARLK	471795	211589	C-R	84305 *
21158-8560	GARLK	417604 *	21158-8819	GARLK	455406! *	211580437	GARLK	471795	21160	C-R	472015! *
21158-8566	GARLK	455576! *	21158-8824	GARLK	417254 *	211580438	GARLK	471795	2116025	ITM	1180
21158-8569	GARLK	471818 *	21158-8825	GARLK	416891! *	211580439	GARLK	450165	2116025	ITM	41X55X7!
21158-8570	GARLK	415263 *	21158-8828	GARLK	455462 *	211580439	GARLK	471801!	2116085	ITM	1214
21158-8571	GARLK	413248	21158-8830	GARLK	415559 *	211580440	GARLK	450165	2116085	ITM	1214N
21158-8572	GARLK	472029 *	21158-8833	GARLK	416664!	211580440	GARLK	471801!	2116112	ITM	1174
21158-8573	GARLK	415001!	21158-8836	GARLK	417171! *	211580441	GARLK	450165	2116112	ITM	38X52X8.5!
21158-8579	GARLK	417601 *	21158-8845	GARLK	417541 *	211580441	GARLK	471801!	2116177	ITM	224235
21158-8585	GARLK	415072 *	21158-8846	GARLK	417547 *	211580484	GARLK	450129	2116177	ITM	42X58X7!
21158-8591	GARLK	415871 *	21158-8847	GARLK	417497 *	211580484	GARLK	472826!	2116179	ITM	35X50X8!
21158-8592	GARLK	417211! *	21158-8848	GARLK	410987! *	211580485	GARLK	450129	2116179	ITM	3771
21158-8596	GARLK	455584 *	21158-8856	GARLK	417537 *	211580485	GARLK	472826!	21162	C-R	472015!
21158-8608	GARLK	455022 *	21158-8864	GARLK	418028	211580541	GARLK	471192	2116201	ITM	224520
21158-8628	GARLK	417542 *	21158-8864	GARLK	455137!	211580542	GARLK	471192	2116201	ITM	45X60X10!
21158-8629	GARLK	417539! *	21158-8868	GARLK	417605 *	211580543	GARLK	471192	2116205	ITM	1994
21158-8631	GARLK	416167!	21158-8870	GARLK	415683 *	211580646	GARLK	470059	2116205	ITM	48X70X9!
21158-8633	GARLK	416154! *	21158-8875	GARLK	50327 *	211580646	GARLK	470380!	2116213	ITM	223542
21158-8636	GARLK	455197N *	21158-8881	GARLK	416556!	211580647	GARLK	470059	2116213	ITM	35X55X11!
21158-8636	GARLK	415196! *	21158-8881	GARLK	472157	211580647	GARLK	470380!	2116247	ITM	1174
21158-8638	GARLK	417205! *	21158-8886	GARLK	470596 *	211580648	GARLK	470059	2116247	ITM	38X52X8.5!
21158-8640	GARLK	415984! *	21158-8887	GARLK	471413	211580648	GARLK	470380!	2116298	ITM	224270

! Industrial Size/Type * Minor Width Difference

= The U.S. customer service number is 877-4-TIMKEN. The Canadian customer service numbers are 800-565-4927 (English) and 800-565-0438 (French-Canadian).

Zero Duplication or Recommended Industrial		Zero Duplication or Recommended Industrial		Zero Duplication or Recommended Industrial		Zero Duplication or Recommended Industrial	
Mfr. No.	Name	Mfr. No.	Name	Mfr. No.	Name	Mfr. No.	Name
2116298	ITM	2117594	ITM	212011	WILYS	21232	C-R
21163	C-R	2117594	ITM	21203	C-R	21232	GARLK
21163	CONTI	2117614	ITM	2120319	GMC	212325	UNIVE
2116304	ITM	2117614	ITM	21205	C-R	212335	MICH
2116304	ITM	2117623	ITM	21205	C-R	212335	UNIVE
2116304	ITM	2117623	ITM	2120631	ROCKW	21234	C-R
2116327	ITM	2117625	ITM	21207	C-R	212348	MICH
2116327	ITM	2117625	ITM	21207	C-R	21235	C-R
2116366	ITM	2117748	ITM	21209	C-R	212350	MICH
2116366	ITM	2117748	ITM	212098R1	IH	212350	UNIVE
2116367	ITM	2117787	ITM	212098R91	IH	212354	UNIVE
2116367	ITM	21178	C-R	2121	CLIN	212362	UNIVE
2116373	ITM	2117909	ITM	21210	C-R	21237	C-R
2116373	ITM	2117909	ITM	21210	C-R	21238	C-R
2116374	ITM	2117925	ITM	2121091011	GMC	21238-3921	GARLK
2116374	ITM	2117925	ITM	21211	C-R	21238-3926	GARLK
2116376	ITM	2117925	ITM	21211	C-R	21238-3938	GARLK
2116376	ITM	2117926	ITM	212110	C-R	21238-3944	GARLK
2116387	ITM	2117926	ITM	212111	C-R	21238-3952	GARLK
2116387	ITM	2117929	ITM	2121111	GMC	21238-3953	GARLK
21164	C-R	2117929	ITM	212112	C-R	21238-3954	GARLK
2116410	ITM	2117953	ITM	212112	GOODM	21238-3955	GARLK
2116410	ITM	2117953	ITM	212112M1	C-R	21238-3962	GARLK
2116428	ITM	2117955	ITM	212113	C-R	21238-3968	GARLK
2116428	ITM	2117955	ITM	2121133	GMC	21238-3984	GARLK
2116450	GMC	2117963	ITM	212114	C-R	21238-3985	GARLK
2116470	ITM	2117963	ITM	2121144	GMC	21238-3987	GARLK
2116470	ITM	2117966	ITM	212116	C-R	21238-3998	GARLK
2116475	ITM	2117966	ITM	212116M1	C-R	21238-4009	GARLK
2116475	ITM	2117968	ITM	212118	C-R	21238-4017	GARLK
2116478	ITM	2117968	ITM	21213	C-R	21238-4036	GARLK
2116478	ITM	2117968	ITM	21213505	ITM	21238-4037	GARLK
2116492	ITM	2117971	ITM	21213505	ITM	21238-4057	GARLK
2116492	ITM	2117971	ITM	21213507	ITM	21238-4063	GARLK
2116502	ITM	2117975	ITM	21214	C-R	21238-4072	GARLK
2116505	ITM	2117975	ITM	21214	C-R	21238-4499	GARLK
2116505	ITM	2117979	ITM	21215	C-R	21238-4500	GARLK
2116539	ITM	2117979	ITM	21216	C-R	21238-4610	GARLK
2116539	ITM	2117979	ITM	2121626	GMC	21240	C-R
21167	C-R	2117985	ITM	2121632	GMC	2124223	GMC
21168	C-R	2117985	ITM	2121633	GMC	2124461	CHRY
2116807	GMC	2117985	ITM	2121634	GMC	21245	C-R
2117057	GMC	2117988	ITM	21216M1	C-R	21246	GARLK
2117058	GMC	2117988	ITM	21218	C-R	2124705	CHRY
2117093	ITM	2117988	ITM	21218M1	C-R	21240S	JN-MN
2117093	ITM	2117990	ITM	21219	C-R	212522	WAYNE
21171	C-R	2117990	ITM	2122	WHITE	21254	C-R
2117109	ITM	2117993	ITM	21220	C-R	21255	C-R
21172	C-R	2117993	ITM	2122016	GMC	21256	C-R
21172	C-R	21182	C-R	2122063	GMC	212561	BENDI
21173	C-R	21183	C-R	212227	CUMMI	21258	C-R
21174	C-R	2118530	GMC	21224	GARLK	21259	C-R
21175	C-R	21186	C-R	212257R91	IH	21260	C-R
211751	ALLCH	21188	C-R	21226	C-R	212603	CUMMI
2117514	ITM	211889	BENDI	2122674	GMC	212608M1	MASSE
2117514	ITM	2119019	GMC	2122701	GMC	21262	GARLK
2117517	ITM	21192	C-R	2122717	GMC	212620	BRCWY
2117531	ITM	2119402	GMC	2122717	GMC	21265	C-R
2117531	ITM	211959	ALLCH	2122717	MOHWK	21266	C-R
2117531	ITM	21196	C-R	2122718	GMC	21267	C-R
2117538	ITM	21197	C-R	21228	C-R	21269	C-R
2117538	ITM	2119728	GMC	212289	BENDI	21270	C-R
2117549	ITM	211985	US-EL	2122910	GMC	21270	LEECE
2117549	ITM	212	C-R	2122914	GMC	21271	LEECE
2117555	ITM	212	UNIVE	2122914	GMC	212735	BENDI
2117555	ITM	212-10902	ITM	21230	C-R	212735	FORD
2117560	ITM	212-11301	ITM	212304R91	IH	21273TB	TRSCM
2117560	ITM	212-11506	ITM	2123186	GMC	21274	C-R
2117561	ITM	212-11506	ITM	2123186	GMC	21275	C-R
2117561	ITM	212-13503	ITM	2123186	WHITE	21276	C-R
2117591	ITM	2120	HWY	2123186	WHITE	212794R91	IH
2117591	ITM	21200631	ROCKW	2123199	GMC	21281	C-R

! Industrial Size/Type * Minor Width Difference \$F-M Number Is Part Of A Kit
 = The U.S. customer service number is 877-4-TIMKEN. The Canadian customer service numbers are 800-565-4927 (English) and 800-565-0438 (French-Canadian).

NUMERICAL INTERCHANGE

Mfr. No.	Name	Zero Duplication or Recommended Industrial	Mfr. No.	Name	Zero Duplication or Recommended Industrial	Mfr. No.	Name	Zero Duplication or Recommended Industrial	Mfr. No.	Name	Zero Duplication or Recommended Industrial
21281	C-R	710203	21327	C-R	710438	214631	SPICE	472015!	21527-0700	GARLK	472213
21282	C-R	472409!	21329	C-R	413469!	214687	CLARK	476470	21527-0703	GARLK	472299
21282VB	TRSCM	40566S	213337TA	TRSCM	413470!	214689	KRSE	6603 * =	21527-0706	GARLK	471821!
21283SSB	TRSCM	470898!	21334A	MASSE	6336S	214701	CLARK	50199S!	21527-0712	GARLK	473229
21284F	OSHKO	415938	21334TB	TRSCM	413470!	214701	CLARK	6863S!	21527-0715	GARLK	470682
21284SA	TRSCM	470898	213354	FWD	6663S	214706	CLARK	473229	21527-0718	GARLK	471316
21284TA	TRSCM	470898!	21336	C-R	413469! *	21472	GARLK	470380!	21527-0739	GARLK	482253
21284TB	TRSCM	470898	21337	C-R	40097S	21472VA	IH	473460	21527-0760	GARLK	473231
21286	C-R	472409 *	21341	C-R	413469! *	214784	ALLCH	471765!	21527-0763	GARLK	473367!
212893R91	IH	6403 =	21342	C-R	413469! *	214821	BRCWY	473228	21527-0763	GARLK	473367
212908	WAUKE	471649!	21345	C-R	472409!	214826	BRCWY	471689!	21527-0769	GARLK	473010
21294	C-R	5682	21345	C-R	54X81X81! *	214863680	GARLK	7639S	21527-0772	GARLK	473232
21294SA	TRSCM	473467	21346	C-R	413469!	21492	GARLK	473228!	21527-0775	GARLK	481864
21296	C-R	472409!	21348	GARLK	472258!	214941	CLARK	456967N =	21527-0787	GARLK	473444
212965	BENDI	471571	21350	C-R	413470!	214941	CLARK	456967V!	21527-0826	GARLK	473233!
212968	WAUKE	471652	21352	C-R	413470!	2149423	GMC	475348N	21527-0835	GARLK	473234
21297	C-R	472409!	21353	C-R	413470!	2149674	GMC	472164!	21527-0838	GARLK	473235!
212978	WAUKE	472636!	21354	C-R	6380	2149740	GMC	472164!	21527-0844	GARLK	473236!
21299	C-R	473243	21356	C-R	416267!	21498	GARLK	473228!	21527-0859	GARLK	471981
212996	GWJ	472924!	21358	C-R	415349 *	214995	CLARK	417262!	21527-0899	GARLK	471504!
2129D	GOODM	415458!	21360	C-R	415349 *	215	GARLK	471570!	21527-0907	GARLK	472185!
212A124X04	TROS	8133S	21360	GARLK	471192	215	UNIVE	416654!	21527-0910	GARLK	470334!
212A131X04	TROS	8597S	21361	C-R	225460	2150	WHITE	421	21527-0913	GARLK	472179
212B112	C-R	471192	21368	GARLK	473214!	2150348	GMC	415991	21527-0922	GARLK	471141!
212CHA112	C-R	471192	2136OS	JN-MN	416345!	2150348	GMC	455146!	21527-0925	GARLK	473448
212D112	C-R	471192	2136OS	JN-MN	455033	21503D	IH	412119!	21527-0928	GARLK	471984
212W112	C-R	471192	2137005	GMC	471103!	2150563	GMC	415371	21527-0931	GARLK	473313
212W112M1	C-R	471192	213712	SPERY	472258!	2151090	GMC	417485	21527-1042	GARLK	472439
212W16	C-R	473205	2137252	GMC	327303!	2151HC	SPG	2151H =	21527-1045	GARLK	471868
212W16M1	C-R	473205	2137274	GMC	6922 =	21523	FMC	413247!	21527-1048	GARLK	472572!
212W18	C-R	471795	213741	ALLCH	471766!	21525	C-R	40566S	21527-1051	GARLK	473179!
212W18M1	C-R	471795	21378	C-R	455080 *	21527-0113	GARLK	471553!	21527-1057	GARLK	473238
212W350	CONE	5521	21378	GARLK	473215!	21527-0115	GARLK	471579	21527-1063	GARLK	473239!
212Z18	C-R	471795	21379	C-R	455080	21527-0119	GARLK	471642	21527-1066	GARLK	473457!
213	C-R	5650	2137OS	JN-MN	55028 *	21527-0145	GARLK	471498 *	21527-1069	GARLK	473240!
213	UNIVE	417485 *	21385	C-R	55087 =	21527-0149	GARLK	471684!	21527-1075	GARLK	473458!
21300	C-R	473243	213895	ALLCH	470334!	21527-0151	GARLK	450033	21527-1114	GARLK	472319
213006	HYST	343186	21390	C-R	6180 =	21527-0153	GARLK	470390	21527-1117	GARLK	473459
213009	ALLCH	450516	2139445	GMC	418028	21527-0213	GARLK	471267!	21527-1120	GARLK	473241
21302	C-R	473243 *	2139445	GMC	455137!	21527-0217	GARLK	471633! *	21527-1129	GARLK	472144!
21302	C-R	473243!	2139446	GMC	415991	21527-0221	GARLK	470590	21527-1132	GARLK	473460
21302VH	TRSCM	8430S	2139446	GMC	455146!	21527-0227	GARLK	481741 =	21527-1135	GARLK	472394
21303	C-R	413248 =	2139447	GMC	415027	21527-0289	GARLK	473380 *	21527-1198	GARLK	472924!
21303	C-R	413248	213W112	C-R	471192	21527-0323	GARLK	471651	21527-1204	GARLK	472397!
21303TA	TRSCM	472015!	213W112M1	C-R	471192	21527-0325	GARLK	471705!	21527-1207	GARLK	473463
21304	C-R	473243	214	C-R	5127	21527-0327	GARLK	473419!	21527-1210	GARLK	473242
21304VSA	TRSCM	472015	214	UNIVE	417158!	21527-0333	GARLK	471762!	21527-1252	GARLK	451948
21305	C-R	473243	21400	C-R	8312	21527-0355	GARLK	476838!	21527-1270	GARLK	416738!
213065TA	TRSCM	410308	214017	CLARK	472164!	21527-0357	GARLK	470712!	21527-1270	GARLK	450096
213065TB	TRSCM	410308	214077	CLARK	471224!	21527-0359	GARLK	471763	21527-1321	GARLK	470898 =
213065TB	TRSCM	473468	214083	ALLCH	473235!	21527-0361	GARLK	471785!	21527-1324	GARLK	473467
213070R91	IH	5472 \$ =	214085	CLARK	412920!	21527-0383	GARLK	472475	21527-1327	GARLK	472015!
213074	ALLCH	471652	214097	ALLCH	471231!	21527-0384	GARLK	472475	21527-1333	GARLK	472016
213075	ALLCH	6863S!	214143	CLARK	415035	21527-0385	GARLK	473426	21527-1339	GARLK	472409!
2130D	GOODM	417343!	214161	CLARK	417238 =	21527-0387	GARLK	471765!	21527-1345	GARLK	473243
2130RC	SUL	417512	2141654	GMC	471766!	21527-0427	GARLK	471766!	21527-1402	GARLK	472018
21314SA	TRSCM	472016	2143	WHITE	473228	21527-0442	GARLK	471808!	21527-1405	GARLK	473471
21315	C-R	450362 *	2143265	GMC	472636!	21527-0451	GARLK	473424!	21527-1408	GARLK	472020
21316	C-R	225420	214335	UNIVE	411500 *	21527-0535	GARLK	470774!	21527-1414	GARLK	470354
21316	C-R	54X72X10!	214348	MICH	450104	21527-0541	GARLK	471192	21527-1420	GARLK	473245!
21318	C-R	225420	214350	MICH	411245!	21527-0544	GARLK	473214	21527-1426	GARLK	413472
21318	C-R	54X72X10!	214350	UNIVE	411245!	21527-0547	GARLK	473215!	21527-1432	GARLK	416268
21318	C-R	54X73X8! *	214354	MICH	417073	21527-0550	GARLK	470950!	21527-1471	GARLK	471341!
213183TB	TRSCM	472409!	214354	UNIVE	417073	21527-0550	GARLK	6241S	21527-1474	GARLK	471272!
2131D	GOODM	415007	214400	ALLCH	472397!	21527-0556	GARLK	471835!	21527-1480	GARLK	471138!
2131RC	SUL	415551	2144138	GMC	330385!	21527-0592	GARLK	473224!	21527-1486	GARLK	410737!
2132	HWY	417518	214439	WILYS	470954!	21527-0595	GARLK	473016!	21527-1492	GARLK	472636!
21320	C-R	470898	214472	ALLCH	473214!	21527-0598	GARLK	473225!	21527-1498	GARLK	412920!
21320	C-R	54X73X8!	21454	GARLK	473227!	21527-0643	GARLK	470625!	21527-1504	GARLK	411376!
213217	ALLCH	415995!	214556	CLARK	455197N	21527-0645	GARLK	471818	21527-1654	GARLK	413246
21325	C-R	413469!	214566	CLARK	455197N	21527-0655	GARLK	473228	21527-1657	GARLK	412119!
21326	C-R	413469!	21462	GARLK	470625!	21527-0664	GARLK	473440!	21527-1660	GARLK	413247!

! Industrial Size/Type * Minor Width Difference \$F-M Number Is Part Of A Kit
 = The U.S. customer service number is 877-4-TIMKEN. The Canadian customer service numbers are 800-565-4927 (English) and 800-565-0438 (French-Canadian).

OIL SEALS

21527-1666 – 2166091

Mfr. No.	Name	Zero Duplication or Recommended Industrial	Mfr. No.	Name	Zero Duplication or Recommended Industrial	Mfr. No.	Name	Zero Duplication or Recommended Industrial	Mfr. No.	Name	Zero Duplication or Recommended Industrial
21527-1666	GARLK	416271!	21527-3880	GARLK	471344	21528-1189	GARLK	472492!	21611208	TROS	474255
21527-1669	GARLK	412861	21527-3883	GARLK	473442!	21528-1198	GARLK	472924!	21611508	TROS	8293S
21527-1678	GARLK	417480!	21527-4802	GARLK	450545	21528-1204	GARLK	472397!	21611604	TROS	471801!
21527-1723	GARLK	471887	21527-4965	GARLK	451031 =	21528-1321	GARLK	470898 =	21611605	TROS	7686S
21527-1738	GARLK	411500	21527-6658	GARLK	471276*	21528-1324	GARLK	473467	21611608	TROS	450165
21527-1747	GARLK	411245!	21527-7126	GARLK	470596*	21528-1327	GARLK	472015!	21611608	TROS	471801!
21527-1750	GARLK	417073	21527-7164	GARLK	473455!	21528-1471	GARLK	471341!	21611611	TROS	471801!
21527-1801	GARLK	472029	21527-7249	GARLK	416127	21528-1474	GARLK	471272!	21612	C-R	710279
21527-1807	GARLK	471271!	21527-7282	GARLK	470088	21528-1492	GARLK	472636!	21612008	TROS	473212!
21527-1813	GARLK	470605!	21527-7934	GARLK	55469*	21528-1504	GARLK	411376!	21612408	TROS	473214!
21527-1819	GARLK	415449!	21527-7941	GARLK	455509*	21528-1639	GARLK	473474	21612804	TROS	473224!
21527-1825	GARLK	416273	21527-8074	GARLK	471827!*	21528-1654	GARLK	413246	21612808	TROS	473016!
21527-1888	GARLK	455311*	21527-8081	GARLK	450819*	21528-1666	GARLK	416271!	21613	C-R	710279
21527-1933	GARLK	413248	215270352	GARLK	471652	21528-1669	GARLK	412861	21613204	TROS	470625!
21527-1939	GARLK	415483	215270394	GARLK	473205	21528-1801	GARLK	472029	21613206	TROS	471689!
21527-1945	GARLK	415458!	215270424	GARLK	471750!	21528-1807	GARLK	471271!	21613206C	TROS	470625!
21527-1948	GARLK	417343!	215270430	GARLK	471787!	21528-1822	GARLK	415001!	21613208	TROS	470625!
21527-1951	GARLK	415007	215270436	GARLK	471795	21528-1828	GARLK	455079!	21613212	TROS	470625!
21527-2035	GARLK	416664!	215270439	GARLK	450165	21528-1834	GARLK	455655!	21613604	TROS	472213
21527-2038	GARLK	417484!	215270439	GARLK	471801!	21528-2035	GARLK	416664!	21614804	TROS	6703S
21527-2041	GARLK	415984!	215271357	GARLK	416267!	21528-2038	GARLK	417484!	21614806	TROS	450400
21527-2044	GARLK	417316!	215271357	GARLK	456267 =	21528-2041	GARLK	415984!	21614808	TROS	450400
21527-2047	GARLK	415960	215278342	GARLK	450557	21528-2050	GARLK	416706!	21619	C-R	225530
21527-2050	GARLK	416706!	215278342	GARLK	471255!	21528-2168	GARLK	417349	216193680	GARLK	7973S
21527-2118	GARLK	417344!	21528-0109	GARLK	471529	21528-2174	GARLK	415995!	216193709	GARLK	417608
21527-2121	GARLK	417158!	21528-0111	GARLK	471538!	21528-4584	GARLK	473197	21620	C-R	225530
21527-2146	GARLK	416956	21528-0113	GARLK	471553!	21528-51	GARLK	471526!	21620	C-R	55X72X8!
21527-2152	GARLK	416654!	21528-0115	GARLK	471579	21528-55	GARLK	471549!	21621	C-R	55X72X8V
21527-2168	GARLK	417349!	21528-0143	GARLK	471567!	21528-67	GARLK	471281!	21623	C-R	225530
21527-2171	GARLK	417350!	21528-0147	GARLK	471643!	21528-69	GARLK	471535!	21623	C-R	55X72X8!
21527-2174	GARLK	415995!	21528-0151	GARLK	450033	21528-87	GARLK	471466!	21624	C-R	225535
21527-2177	GARLK	417351!	21528-0153	GARLK	470390	21528-91	GARLK	471255!	21624	C-R	55X72X8!*
21527-2249	GARLK	456105	21528-0159	GARLK	481443!	21528-93	GARLK	471564	21625	C-R	55X75X10
21527-2257	GARLK	455336	21528-0161	GARLK	481568!	215280287	GARLK	471224!	21626	C-R	55X75X10V
21527-2261	GARLK	417490	21528-0213	GARLK	471267!	215280351	GARLK	471652	21627	C-R	225545
21527-2267	GARLK	455022	21528-0215	GARLK	471570!	215280541	GARLK	471192	21628	C-R	1207
21527-2270	GARLK	476470!	21528-0217	GARLK	471633!	215280646	GARLK	470059	21628	C-R	1207N
21527-2270	GARLK	476470!	21528-0219	GARLK	471646!	215280646	GARLK	470380!	21629	C-R	225530*
21527-2273	GARLK	417181!	21528-0225	GARLK	471730	2152853	GARLK	471472!	21629	C-R	55X72X8!*
21527-2276	GARLK	418028	21528-0269	GARLK	451583!	2152871	GARLK	471551!	21630	C-R	55X78X10
21527-2279	GARLK	417353!	21528-0273	GARLK	471648	215348	CLARK	470605!	21631	C-R	55X78X10
21527-2294	GARLK	455328	21528-0275	GARLK	471688	21537	C-R	450621*	2163192	GMC	450593!
21527-2366	GARLK	415991	21528-0291	GARLK	471649!	21538	C-R	450621*	21632	C-R	55X78X10!*
21527-2366	GARLK	415991!	21528-0293	GARLK	471689!	21539	C-R	450621*	21633	C-R	55X85X10!*
21527-2369	GARLK	417196!	21528-0295	GARLK	450593!	215393	WILYS	471733	216335	UNIVE	410496!
21527-2375	GARLK	417198	21528-0297	GARLK	471733	21540	C-R	473245!	216337	UNIVE	470605!
21527-2417	GARLK	416332!	21528-0301	GARLK	471760	215412	CLARK	415449 =	216350	MICH	415449!
21527-2420	GARLK	415937!	21528-0303	GARLK	471619!	2155638	GMC	5751	216350	UNIVE	415449!
21527-2426	GARLK	416125!	21528-0353	GARLK	471692!	21560	C-R	412943	216354	MICH	415001!
21527-2432	GARLK	417499	21528-0355	GARLK	476838!	21561	C-R	412943	216354	UNIVE	415001!
21527-2433	GARLK	417355!	21528-0359	GARLK	471763	2156231	GMC	471466!	216354SL	MICH	415001!
21527-2435	GARLK	415832	21528-0361	GARLK	471785!	21566	GARLK	473230!	216362	MICH	416273!
21527-2438	GARLK	417500	21528-0535	GARLK	470774!	215745	OILGR	481443!	216362	UNIVE	416273!
21527-2462	GARLK	415379	21528-0544	GARLK	473214!	2157507	GE	411376!	21637	C-R	55X80X8!*
21527-2465	GARLK	417205!	21528-0547	GARLK	473215!	21576	GARLK	473231!	216375	UNIVE	455079!*
21527-2468	GARLK	416339	21528-0556	GARLK	471835!	2158	CARDX	473473	21638	C-R	55X80X8!
21527-2537	GARLK	415035	21528-0643	GARLK	470625!	2158204	AMC	470590	21639	IH	473474
21527-2540	GARLK	417356!	21528-0655	GARLK	473228	215841	CLARK	473245!	21640	C-R	55X80X8
21527-2543	GARLK	417357	21528-0658	GARLK	451857	2158432	GMC	416288	216400	UNIVE	455655!*
21527-2546	GARLK	416130!	21528-0664	GARLK	473440!	2158837	GMC	50883 =	21641	C-R	55X80X8V
21527-2555	GARLK	415041	21528-0700	GARLK	472213	2159	CARDX	472636!	21642	C-R	55X80X8!*
21527-2657	GARLK	416556!	21528-0898	GARLK	471504!	21590	GARLK	473010!	21645	C-R	55X80X8!*
21527-2657	GARLK	472157	21528-0904	GARLK	472164!	21598	GARLK	473232!	21648	C-R	225500
21527-2663	GARLK	416891!	21528-0913	GARLK	472179	215A120X08	TROS	484058	21648	C-R	55X68X8!
21527-2753	GARLK	416888!	21528-0922	GARLK	471141!	216	C-R	5072	21649	C-R	55X82X12!
21527-2756	GARLK	416153!	21528-0925	GARLK	473448	21603	C-R	225500	21650	C-R	9195S =
21527-3125	GARLK	455576!	21528-0928	GARLK	471984	21603	C-R	55X68X8!	21651	C-R	55X82X12!
21527-3128	GARLK	415938	21528-1048	GARLK	472572!	2160782	GMC	473232!	21652	C-R	710127
21527-3275	GARLK	417362!	21528-1051	GARLK	473179!	21610	C-R	225505*	21660	C-R	55X85X10
21527-3278	GARLK	417363	21528-1057	GARLK	473238	21610	C-R	55X70X8!	21660	C-R	55X85X8!
21527-3281	GARLK	416666	21528-1063	GARLK	473239!	21611	C-R	55X70X8V!	216604	WILYS	471765!
21527-3872	GARLK	471747!	21528-1186	GARLK	471870!	21611	C-R	710279	2166091	GMC	416332!

! Industrial Size/Type * Minor Width Difference

= The U.S. customer service number is 877-4-TIMKEN. The Canadian customer service numbers are 800-565-4927 (English) and 800-565-0438 (French-Canadian).

NUMERICAL INTERCHANGE

Mfr. No.	Name	Zero Duplication or Recommended Industrial	Mfr. No.	Name	Zero Duplication or Recommended Industrial	Mfr. No.	Name	Zero Duplication or Recommended Industrial	Mfr. No.	Name	Zero Duplication or Recommended Industrial
21661	C-R	55X85X10!	21702-0760	GARLK	473231	21702-2115	GARLK	415303!	21702-3938	GARLK	417604
21665	C-R	55X88X8	21702-0762	GARLK	473231	21702-2124	GARLK	416921!	21702-3949	GARLK	455966
2166675	AMC	470530!	21702-0769	GARLK	473010	21702-2168	GARLK	417349	21702-3954	GARLK	455462
21668	C-R	55X85X10!	21702-0772	GARLK	473232	21702-2170	GARLK	417349	21702-4031	GARLK	55228=
21670	C-R	55X90X13*	21702-0774	GARLK	473232	21702-2172	GARLK	417350!	21702-4062	GARLK	415076
21670	C-R	55X90X8!	21702-0829	GARLK	473445	21702-2174	GARLK	415995!	21702-4503	GARLK	55301S
21671	C-R	55X90X13!	21702-0835	GARLK	473234	21702-2177	GARLK	417351!	21702-4507	GARLK	455462
21673	C-R	55X90X13!	21702-0837	GARLK	473234	21702-2180	GARLK	417487!	21702-4560	GARLK	415294!
216811604	TROS	42081S!	21702-0843	GARLK	474265	21702-2180	GARLK	417487	21702-5246	GARLK	470625!
21682	VICK	474281!	21702-0859	GARLK	471981	21702-2183	GARLK	417488!	21702-55	GARLK	471549!
21685	C-R	55X100X7	21702-0898	GARLK	471504!	21702-2186	GARLK	455019!	21702-77	GARLK	471532
21690	C-R	55X100X13*	21702-0904	GARLK	472164!	21702-2198	GARLK	455019!	21702-80	GARLK	473405
21690	GARLK	473237!	21702-0906	GARLK	472164!	21702-2225	GARLK	417621!	21702-87	GARLK	471466!
216918	ALLCH	471103!	21702-0907	GARLK	472185!	21702-2237	GARLK	416297	21702-91	GARLK	471255!
216928	ALLCH	450400	21702-0909	GARLK	472185!	21702-2270	GARLK	476470	21702-9808	GARLK	471689!
21692D	IH	481864	21702-0913	GARLK	472179	21702-2273	GARLK	417181!	217020287	GARLK	471224!
21693	C-R	55X100X13	21702-0928	GARLK	471984	21702-2327	GARLK	417354!	217020351	GARLK	471652
216952	US-EL	472258!	21702-1048	GARLK	472572!	21702-2348	GARLK	417493	217020362	GARLK	471785!
216959R91	IH	40316S	21702-1050	GARLK	472572!	21702-2366	GARLK	415991	217020387	GARLK	471765!
216985	ALLCH	471442!	21702-1057	GARLK	473238	21702-2366	GARLK	455146!	217020388	GARLK	471765!
216990	ALLCH	471276	21702-1069	GARLK	473240!	21702-2367	GARLK	415991	217020424	GARLK	471750!
216A15006	TROS	321460	21702-1075	GARLK	473458!	21702-2367	GARLK	455146!	217020425	GARLK	471750!
216A15006C	TROS	321460	21702-1114	GARLK	472319	21702-2369	GARLK	417196!	217020439	GARLK	450165
216C13104	TROS	40468	21702-1129	GARLK	472144!	21702-2372	GARLK	415437	217020439	GARLK	471801!
216D13206	TROS	9363S	21702-1135	GARLK	472394	21702-2393	GARLK	415711	217020441	GARLK	450165
216V15BULK	NATL	216-V35BULK	21702-1150	GARLK	450472!	21702-2417	GARLK	416332!	217020441	GARLK	471801!
2170013	GMC	415458!	21702-1162	GARLK	450474*	21702-2421	GARLK	415937!	217020484	GARLK	450129
21702-0111	GARLK	471538!	21702-1186	GARLK	471870!	21702-2462	GARLK	415379	217020484	GARLK	472826!
21702-0113	GARLK	471553!	21702-1189	GARLK	472492!	21702-2462	GARLK	415379!	217020543	GARLK	471192
21702-0144	GARLK	471567!	21702-1191	GARLK	472492!	21702-2501	GARLK	417211!	217020646	GARLK	470059
21702-0147	GARLK	471643!	21702-1201	GARLK	470530!	21702-2504	GARLK	416345!	217020646	GARLK	470380!
21702-0148	GARLK	471643!	21702-1204	GARLK	472397!	21702-2519	GARLK	476470!	217020648	GARLK	470059
21702-0159	GARLK	481443!	21702-1206	GARLK	472397!	21702-2519	GARLK	476470	217020648	GARLK	470380!
21702-0175	GARLK	471539!	21702-1323	GARLK	470898	21702-2537	GARLK	415035	2170237	GARLK	50199S!
21702-0213	GARLK	471267!	21702-1329	GARLK	472015!	21702-2600	GARLK	417511	2170237	GARLK	6863S!
21702-0215	GARLK	471570!	21702-1332	GARLK	410308!	21702-2636	GARLK	417513	2170238	GARLK	50199S!
21702-0216	GARLK	471570!	21702-1340	GARLK	472409!	21702-2663	GARLK	416891!	2170238	GARLK	6863S!
21702-0219	GARLK	471646!	21702-1402	GARLK	472018	21702-2711	GARLK	416380!	2170250	GARLK	471442!
21702-0224	GARLK	471137	21702-1471	GARLK	471341!	21702-2723	GARLK	416149	217032	ALLCH	471192
21702-0270	GARLK	451583!	21702-1473	GARLK	471341!	21702-2753	GARLK	416888!	217036B	OLIVE	40061S=
21702-0288	GARLK	471224!	21702-1476	GARLK	471272!	21702-2759	GARLK	416892!	217039	ALLCH	450400
21702-0291	GARLK	471649!	21702-1494	GARLK	472636!	21702-2807	GARLK	416158	21704	GARLK	472164!
21702-0293	GARLK	471689!	21702-1504	GARLK	411376!	21702-2837	GARLK	415138!	21709D	IH	455019!
21702-0323	GARLK	471651	21702-1505	GARLK	411376!	21702-2915	GARLK	415725!	217103	ALLCH	472258!
21702-0353	GARLK	471692!	21702-1642	GARLK	470565!	21702-2921	GARLK	416865!	217106	ALLCH	471267!
21702-0383	GARLK	472475	21702-1644	GARLK	470565!	21702-2922	GARLK	416865!	217130	CINMI	416891!
21702-0385	GARLK	473426	21702-1654	GARLK	413246	21702-2927	GARLK	417541	21714	GARLK	472185!
21702-0390	GARLK	471354!	21702-1656	GARLK	413246	21702-3059	GARLK	417262!	217164	ALLCH	473238
21702-0427	GARLK	471766!	21702-1658	GARLK	412119!	21702-3067	GARLK	415645!	21726	GARLK	472179
21702-0430	GARLK	471787!	21702-1668	GARLK	416271!	21702-3067	GARLK	455104	21726F	OSHKO	476470!
21702-0535	GARLK	470774!	21702-1680	GARLK	417480!	21702-3184	GARLK	416107!	21726F	OSHKO	476470
21702-0544	GARLK	473214!	21702-1750	GARLK	417073	21702-3184	GARLK	455073	21732	RELEE	473010!
21702-0546	GARLK	473214	21702-1752	GARLK	417073	21702-3277	GARLK	417362!	21733	RELEE	415294!
21702-0548	GARLK	473215!	21702-1807	GARLK	471271!	21702-3278	GARLK	417363	21736	C-R	473244!
21702-0550	GARLK	470950!	21702-1819	GARLK	415449!	21702-3279	GARLK	417363	21736	C-R	473244*
21702-0550	GARLK	6241S	21702-1821	GARLK	415449!	21702-3280	GARLK	417363	21742	C-R	473244
21702-0551	GARLK	470950!	21702-1882	GARLK	413479	21702-3281	GARLK	416666	217431	ALLCH	473214!
21702-0551	GARLK	6241S	21702-1939	GARLK	415483!	21702-3282	GARLK	416666	21744D	IH	410102
21702-0552	GARLK	470950!	21702-1948	GARLK	417343!	21702-3283	GARLK	416666	217484	ALLCH	470059
21702-0552	GARLK	6241S	21702-1993	GARLK	455434	21702-3355	GARLK	415683	217484	ALLCH	470380!
21702-0592	GARLK	473224!	21702-2004	GARLK	455151	21702-3367	GARLK	415072	21749	C-R	472234
21702-0597	GARLK	473016!	21702-2032	GARLK	480491	21702-3384	GARLK	415074	2174901	GMC	472015!
21702-0624	GARLK	473439!	21702-2035	GARLK	416664!	21702-3426	GARLK	415294!	21752	C-R	472234
21702-0643	GARLK	470625!	21702-2038	GARLK	417484!	21702-3518	GARLK	416044	21753	C-R	472234
21702-0644	GARLK	470625!	21702-2044	GARLK	417316!	21702-3544	GARLK	415867	217534	ALLCH	471750!
21702-0645	GARLK	470625!	21702-2045	GARLK	417316!	21702-3601	GARLK	417601	217535	ALLCH	471276
21702-0655	GARLK	473228	21702-2046	GARLK	417316!	21702-3610	GARLK	417604	217535	SPERY	471831=
21702-0657	GARLK	473228	21702-2047	GARLK	415960	21702-3624	GARLK	415090	217536	ALLCH	471141!
21702-0664	GARLK	473440!	21702-2048	GARLK	415960	21702-3660	GARLK	417605	21755	C-R	472234
21702-0700	GARLK	472213	21702-2049	GARLK	415960	21702-3673	GARLK	417198	21756	C-R	4740
21702-0707	GARLK	471821!	21702-2086	GARLK	455005	21702-3869	GARLK	472705!	21756	MA-PR	343185
21702-0717	GARLK	470682	21702-2088	GARLK	455005	21702-3921	GARLK	417601	217570	ALLCH	415007

! Industrial Size/Type *Minor Width Difference

= The U.S. customer service number is 877-4-TIMKEN. The Canadian customer service numbers are 800-565-4927 (English) and 800-565-0438 (French-Canadian).

Mfr. No.	Name	Zero Duplication or Recommended Industrial	Mfr. No.	Name	Zero Duplication or Recommended Industrial	Mfr. No.	Name	Zero Duplication or Recommended Industrial	Mfr. No.	Name	Zero Duplication or Recommended Industrial
21758	C-R	472018	21823-0273	GARLK	471648	21938	C-R	3103!	21C7052A1	FORD	470380!
21759	C-R	472018	21823-0275	GARLK	471688	219396	ALLCH	472560N!	21C7052A2	FORD	410059
21761	C-R	472018	21823-0291	GARLK	471649!	21940	C-R	415350 *	21C7052A2	FORD	470380!
2176189	GMC	471103!	21823-0297	GARLK	471733	21944K	IH	473438	21D2531	FWD	471750!
21762	C-R	472018 *	21823-0301	GARLK	471760	219475	ALLCH	415138!	21D6131	FWD	471554!
21763	C-R	472018 =	21823-1324	GARLK	473467	21940S	JN-MN	417606 *	21FZ-1177AB	FORD	3622
217639H1	IH	415551	21823-51	GARLK	471526!	21950	C-R	415350	21FZ-7F401AA	FORD	4189H
21764	C-R	472018 *	21823-55	GARLK	471549!	21952	C-R	5604	21RM201	CONTI	470334!
217640H1	IH	415066	21823-69	GARLK	471535!	21953	C-R	710171	21X10043B	JOHND	416888!
21766	C-R	472018	21823-87	GARLK	471466!	21955	C-R	2286	21X10052B	JOHND	343185
21767	C-R	472018	21823-91	GARLK	471255!	21955D	IH	473460	21X12461A	JOHND	417344!
21769	C-R	4740	21823-93	GARLK	471564	219594	FRUEH	480630	21X12544A	JOHND	473214!
21769	C-R	8974S *	2182353	GARLK	471472!	2196057	GMC	472397!	21X12544B	JOHND	473214!
21770	C-R	8974S	2182371	GARLK	471551!	21961	C-R	3553	21X14213B	JOHND	415458!
21771	C-R	8974S	21826	GARLK	473238!	21961	RELEE	416156	21X14214A	JOHND	471138!
21771	RELEE	473228!	21828	HYST	470088	21962	C-R	5604	21X14479A	JOHND	473203
21775	C-R	473471	218283TB	TRSCM	473244!	219621	ALLCH	471868	21X15184A	JOHND	471224!
2177BG	SPG	712598	218284	ALLCH	415960!	2196401	GO-TI	473317	21X15517A	JOHND	415138!
2177BX	SPG	2177	218294TL	TRSCM	472234	2196403	GO-TI	412571!	21X18141A	JOHND	415327!
2178091	GMC	471649!	218304TB	TRSCM	8974S	2196407	GO-TI	8705S	21X2813	GARLK	415064
217813H1	IH	471195!	218313	ALLCH	471224	2196408	GO-TI	9406S	21X35X7ASN(35)	ISP	21X35X7
21787	C-R	472020	218327	ALLCH	473367!	2196409	GO-TI	9015S	21X35X8SC	TRSCM	21X35X8
217873	ALLCH	472144!	218327	ALLCH	473367	2196410	GO-TI	8121S	21X35X8TC	TRSCM	21X35X8
217873	MASSE	472144!	21835	GARLK	473239!	2196411	GO-TI	6815	21X51544A	JOHND	455056
21788	C-R	472020	218350	MICH	415302	2196414	GO-TI	8871	21X52416A	JOHND	471984
2179	UNIVE	418028	218350	UNIVE	415302	2196415	GO-TI	5121	21Y2997	GWI	472636!
2179	UNIVE	455137!	218354	UNIVE	455311	2196416	GO-TI	3087	22-CT115	OSHKO	471254
21795D	IH	470530!	21836	C-R	473245!	2196417	GO-TI	3357	22001	DANMA	470625!
21798	C-R	470354 *	218362	MICH	415988	2196418	GO-TI	1196	220010	DANMA	473236!
217985	HYST	J1121	218362	UNIVE	415988 *	2196419	GO-TI	6840S	220011	MINNM	471787!
2179886	GMC	6090S	218375	UNIVE	417481	2196420	GO-TI	9406S	220013	DANMA	204002
21799	C-R	470354 *	21838	GARLK	473239!	2196421	GO-TI	1217	220015	DANMA	473227
2179922	GMC	470954	218387	UNIVE	455280 *	2196422	GO-TI	1195	220017	DANMA	472015!
2179931	GMC	471192	218388	MICH	455280	2196423	GO-TI	224820	220018	DANMA	470625!
217A124X06.5	TROS	9569S	2183992	GMC	470898	2196423	GO-TI	48X62X8!	220019	DANMA	204017
218	C-R	417584+99499	21840	C-R	473245!	2196424	GO-TI	1188	22002	DANMA	472164!
218	C-R	5624	218450	ALLCH	470059N	2196425	GO-TI	4148	220020	DANMA	471750
2180	UNIVE	415991	21848	GARLK	473240!	2196501	GO-TI	9568	220021	DANMA	40370S
2180	UNIVE	455146!	218538	CUMMI	39723	2196502	GO-TI	9363S	220022	DANMA	204017
21802	GARLK	472439	218539	CUMMI	39732	2196503	GO-TI	5124	220027	SPG	471554!
21808	C-R	3095	218539	CUMMI	57248	2196504	GO-TI	8660S	22003	DANMA	471192
21809	C-R	470354	218539-04	CUMMI	39732	2196505	GO-TI	8704S	22005	C-R	710169
21810	C-R	470354	2185521	GMC	474276!	2196506	GO-TI	8695S	22005	DANMA	450165
21811	C-R	470354 *	21855D	IH	415458!	2196508	GO-TI	5124	22005	DANMA	471801!
21812	C-R	470354 *	21856	VICK	415196!	2196509	GO-TI	8835S	22006	DANMA	471766!
21812004	TROS	40769S	21860	VICK	417205!	2196511	GO-TI	9569S	22006	GARLK	471424!
21812005	TROS	40769S	2186197	GMC	471466!	2196512	GO-TI	2689S	22006X	MASSE	471821!
21812404	TROS	42763	2186314	GMC	470898	2196513	GO-TI	473228	22007	DANMA	450492
21812405	TROS	42763	21865	VICK	416888!	2196514	GO-TI	1012	2200730	CHRYSS	471267!
21812408	TROS	55042	218655	ALLCH	471554!	2196514	GO-TI	1012N	22008	DANMA	473214!
2181265	GMC	472397!	218682	ALLCH	474255	2196516	GO-TI	3214	220083	SPG	472924!
21814	C-R	6636S	21870	HYST	450147	2196517	GO-TI	3348	22009	DANMA	50468
21814	GARLK	472572!	218703	ALLCH	473231!	2196518	GO-TI	1955	220096	CLARK	472439 =
21820	C-R	470354	2187813	GMC	6245S =	2196518	GO-TI	52X65X9!	2201050	GRAM	450457
218205R91	IH	6270	2188404	GMC	471141!	2196519	GO-TI	3199	2201055	GRAM	471766!
218206R91	IH	5401	21886	VICK	474255	2196520	GO-TI	1955	2201079X	GRAM	471554!
21820D	IH	415371	21890	C-R	412943	2196520	GO-TI	52X65X9!	220120	SPG	471224!
21823-0109	GARLK	471529	2189804	GMC	471192	21969D	IH	473367!	220126	CLARK	417344!
21823-0111	GARLK	471538!	219	C-R	45X70X10+99177	21969D	IH	473367	22013	C-R	710108
21823-0113	GARLK	471553!	219-6404	GO-TI	8139	219774	JEFF	473016!	22014	C-R	56X70X8V
21823-0115	GARLK	471579	219-6405	GO-TI	7607	2198804	GMC	471192	22015	C-R	56X70X8
21823-0143	GARLK	471567!	219-6406	GO-TI	7934S	219899	JEFF	415001!	22018	C-R	225650
21823-0147	GARLK	471643!	21900	C-R	412943 *	219899	SUL	415001!	22018	C-R	56X72X7 *
21823-0151	GARLK	450033	219023	OILGR	471647	219929	ALLCH	415254	220184	ALLCH	471766!
21823-0153	GARLK	470390	21910	C-R	413472	2199335	GMC	471267!	2201889	CHRYSS	6241S
21823-0159	GARLK	481443!	219155	ALLCH	470334!	219A125X08.25	TROS	8660S	220194	ALLCH	471649!
21823-0161	GARLK	481568!	21918	C-R	710413	219D4	WHITE	472636!	22020	C-R	225650
21823-0215	GARLK	471570!	2191897	GMC	473010	21C7052	FORD	410059	22020	C-R	56X72X11.5!
21823-0217	GARLK	471633!	21918D	IH	415995!	21C7052	FORD	470380!	220207	CLARK	472213
21823-0219	GARLK	471646!	2192652	GMC	416865!	21C7052A	FORD	410059	220214	CLARK	474255
21823-0225	GARLK	471730	21934	C-R	416268	21C7052A	FORD	470380!	22022	C-R	710069
21823-0269	GARLK	451583!	219355TBJ	TRSCM	2286	21C7052A1	FORD	410059	22023	GARLK	472492!

! Industrial Size/Type * Minor Width Difference

= The U.S. customer service number is 877-4-TIMKEN. The Canadian customer service numbers are 800-565-4927 (English) and 800-565-0438 (French-Canadian).

NUMERICAL INTERCHANGE

Mfr. No.	Name	Zero Duplication or Recommended Industrial	Mfr. No.	Name	Zero Duplication or Recommended Industrial	Mfr. No.	Name	Zero Duplication or Recommended Industrial	Mfr. No.	Name	Zero Duplication or Recommended Industrial
220230	SPG	471689!	2208N-820	ROCKW	730149	221730	NATL	17X32X7	222541	NATL	222540
22024	C-R	710393	2208R-928	ROCKW	733067	22175	C-R	7568	222560	NATL	25X47X7
22025	C-R	225650	2208W-412	ROCKW	733106	221760	NATL	17X40X7	222570	NATL	25X52X7!
22025	C-R	56X72X11.5!	2208W-413	ROCKW	733111	2218	NATL	415379!	222571	CLARK	471413!
22026	C-R	225673	2208X-440	ROCKW	733107	221810	SPERY	471413	22260	C-R	57X92X8!
22028	C-R	225673	2208Z-416	ROCKW	733105	221830	NATL	18X32X8	2226149	CHRY	323138!
22029	C-R	4741	2208Z-422	ROCKW	733114	22186	GARLK	472015!	22261VB	TRSCM	341022
220294	CLARK	417621!	220915	JEFF	473234	221870	NATL	18X40X7	22262	C-R	57X92X8*
220295R91	IH	450143	2209334	GMC	55646=	2218RC	SUL	415458!	222650	NATL	26X47X7
2202993SA	TRSCM	470530	22099H	IH	472924!	22196X	IH	473231	2226530	GMC	415351!
22030	C-R	4899	2209K-791	ROCKW	730009	22196X	MASSE	473231	2226549	GMC	415995!
22030	C-R	56X75X7*	220X250X15SC	TRSCM	220X250X15	22198	GARLK	472016!	222660	KEN	415073N=
22030	C-R	5700	220X250X15TC	TRSCM	220X250X15	2219RC	SUL	411394!	2226696	GMC	415458!
22031	C-R	225545	221000	NEHO	471870!	222020	NATL	20X32X7	222714	ALLCH	470950!
220316	ALLCH	470334!	2210228	GMC	330385	222020	SPG	20X32X7	222714	ALLCH	6241S
22033	C-R	4899	221042	CLARK	474256	222025	SPG	20X30X7	2227339	GMC	411376!
220337DSL	MICH	410708	221047	CLARK	472299	222075	NATL	20X47X7	222768	CLARK	415991
22034	JOY	471570!	2210611	GMC	415991	222079	KEN	7131	222768	CLARK	415991!
22035	C-R	710146	2210851	GMC	472397=	222079	PACIF	8724S	2227716	CHRY	474276!
22035	GARLK	472924!	2211035	WOOL	455121	2220881	GMC	6612S	222828	CLARK	476470
220350	UNIVE	415483!	22113206.5	TROS	204013	2220883	GMC	471413	22282VH	TRSCM	43034S
220352	SPG	472164!	22114405	TROS	473317	222092	NATL	20X52X7	22284	C-R	710086
220362	MICH	415458!	22114407	TROS	203008	2220RC	SUL	471271!	222867	KEN	9555S
220362	UNIVE	415458!	221167	KEN	415656	22210	GARLK	473243	222867	PACIF	9555S
22037	C-R	1993	221192	CLARK	472636!	222101	HOUGH	416107!	2228694	GMC	370023A
220375	MICH	417343!	221193	CLARK	480950N=	222101H1	IH	416107!	222878	OILGR	473313
220375	UNIVE	417343!	221194	CLARK	471141	222110	HOUGH	412119!	222880	NATL	28X52X7
22038	C-R	225650	22120	C-R	710176	222117	HOUGH	410308!	2229	NATEN	416137
220387	UNIVE	415007*	221207	SPG	12X22X7	222120	HOUGH	472397!	22293	LAVIN	474276!
220388	MICH	415007	221209	KEN	415001!	222124	C-R	450400*	2229540	GMC	455037
220389R91	IH	471272!	221212	OILGR	473228	2221481	GMC	471689!	222A14704	TROS	6840S
220395	FORD	473215!	221233	KEN	415437=	222182	CLARK	412473!	222A147X07.5	TROS	481537
2203RC	SUL	417316!	221233	PACIF	415437=	222183	CLARK	417316!	223	CHEL	471760
22040	C-R	56X78X8*	22125	C-R	710108	2221RC	SUL	415302	2230	NATEN	416339
220400	UNIVE	417082*	22125	UNIVE	471538!	2222	SHOV	415036	2230	NATEN	455031!
22042	C-R	225678	221270	NATL	12X30X7	2222	UNIVE	6922=	223005	SPG	30X40X7
220439	CLARK	417487	2212953	GMC	474278!	222208	ALLCH	416125!	223015	NATL	223014
2204OS	JN-MN	415001!	22130	C-R	472234	222210	NATL	22X32X7	223020	NATL	30X47X7
22050	C-R	56X80X8	221344	CLARK	411376!	222220	NATL	22X35X7	223020	SPG	30X47X7
2205080	CHRY	471827	22137	MICH	471553!	222230	ALLCH	471765!	22302TA	TRSCM	471272!
22053	C-R	56X80X8!	22137	UNIVE	471553!	2222374	GMC	417191	22302VHY	TRSCM	40520S
22056	GARLK	472397!	22138W	DIA	410308!	22224	C-R	1964	22303	GARLK	471272!
220570	CINMI	415458!	221410	NATL	14X24X7!	2222423	GMC	471267!	2230357	SPG	30X52X7
220570	CLARK	471141!	22143	C-R	473467	22225	C-R	1984	22303VTB	TRSCM	471272
220571	CINMI	417355!	221430	NATL	14X28X6	2222591	GMC	415991	223042H1	IH	470530
2205BGR	SPG	5115	22144	FMC	471820	2222591	GMC	455146!	223042R95	IH	470530=
22060	C-R	56X82X8	2214569	GMC	416654	222260	PACIF	415073N=	22304TA	TRSCM	471272
220631	US-EL	415034!	221490	NATL	14X35X7	222270	NATL	22X47X7	22306	C-R	341022
220705	FORD	450430	2215	MID-R	471466!	222272	FORD	481792	22306	FMC	472150
220705	WOODB	450430	22150	MICH	471579	222273	FORD	471192	223065	NATL	30X62X7
22071	C-R	56X85X8	22150	UNIVE	471579*	22230	C-R	710072	223086	CLARK	416380!
22071	GARLK	473242	221503	CLARK	471868	222309	WOOL	415991	2230B	GOODM	417316!
22074	US-EL	416380!	221510	NATL	15X25X6	2223597	GMC	417506	2230C	GOODM	417316!
2207484	CHRY	7886S	221518R91	IH	472560N!	222375	MICH	455151	2230D	GOODM	417316!
22075	C-R	5686	221520	NATL	15X26X7	222375	UNIVE	455151	2231	CARDX	473463
22075	C-R	5700	221540	NATL	15X30X7	222387	UNIVE	455008*	2231056	GMC	471689!
220752	SPG	410752	221550	NATL	15X32X8	222388	MICH	455008	2231071	GMC	472636!
220753H4	IH	417602* =	221551	JEFF	471765!	22240	C-R	57X81X8*	22311	C-R	722109
220762	FORD	471192	221560	NATL	15X35X7	222407	KEN	456483=	223112	C-R	473214
220762	WOODB	471192	22159	GARLK	473204	222408	KEN	456305	223112M1	C-R	473214
22076X	MASSE	471652	221592R91	IH	40316S	222408	PACIF	456305	223114	C-R	473016!*
220785	ALLCH	474264	2216	MID	471267!	222409	PACIF	254287	223116	C-R	470625!
22080	C-R	56X88X8	2216	MID-R	471267!	222410	NATL	24X35X7	223116M1	C-R	470625!
220800	CLARK	476098N=	2216104	GMC	481568!	22245	C-R	1928*	223124	C-R	450400*
220816	CLARK	470530!	221620	NATL	16X30X7	222455	NATL	24X47X7	22313TB	TRSCM	471138!
220845	CLARK	472258!	221640	NATL	16X35X7	22250	C-R	1928	2231431	GMC	472258
220866	CINMI	472636!	22168D	IH	415072	222510	WMG	1998	22317	GARLK	471138!
2208947	GMC	416282	22170	C-R	50631	2225342	GMC	471442!	223184PTB	TRSCM	410737!
2208B-652	ROCKW	733067	22171	GARLK	470898	222539	ALLCH	473424!	2231D	GOODM	415960!
2208C-575	ROCKW	733067	22171HA	IH	417181!	222540	ALLCH	473444	2232	CARDX	450456!
2208C-835	ROCKW	730008	22171X	MASSE	415960	222540	SPG	25X40X7	2232123	CHRY	5M867
2208E-889	ROCKW	730004	221720	NATL	17X30X7	22254007	ALLCH	473444	22322VAY	TRSCM	40316S

! Industrial Size/Type *Minor Width Difference

= The U.S. customer service number is 877-4-TIMKEN. The Canadian customer service numbers are 800-565-4927 (English) and 800-565-0438 (French-Canadian).

Mfr. No.	Name	Zero Duplication or Recommended Industrial	Mfr. No.	Name	Zero Duplication or Recommended Industrial	Mfr. No.	Name	Zero Duplication or Recommended Industrial	Mfr. No.	Name	Zero Duplication or Recommended Industrial
22323	C-R	471341!	223708A	HARWA	22X37X8!	224139X04	TROS	1192	2245226	GAL	JV1999=
223230	SPG	32X45X7	22371	C-R	352637	22414	C-R	410737!	22460	C-R	472636!*
22324	C-R	411452=	22372	C-R	352637	22414004	TROS	473231!	22461	C-R	472636!*
2232415	GMC	5452\$	223725	KEN	415371	22414008	TROS	473231	22461	GARLK	416231!
22324TA	TRSCM	472636	22375	C-R	473473	22414404	TROS	473233!	22462	C-R	472636!
22325	C-R	43034S	22379	C-R	473473	22414408	TROS	473233!	2246311	SPICE	472924!
223255	SPG	32X52X7	22380	C-R	473473	22414807	TROS	473237	2246312	SPICE	473473
22325SA	TRSCM	472636	22382	C-R	473473	224156	CINMI	415076	2246313	SPICE	472015!
22327	C-R	471341!	223820	NATL	1174	22415HA	IH	411253!	2246314	SPICE	472012
22328	C-R	453613*	223820	NATL	38X52X8.5!	22417	C-R	410737!*	224637	SPICE	411253!
223297	NEHO	471271!	223830	WMG	223832	22418	C-R	410737!*	224638	CLARK	410308!
2232D	GOODM	416706!	223832	NATL	223830	2241RC	SUL	470682	224642	ALLCH	471554!
22330	C-R	471341!	223832	NATL	38X55X7!	224210	SPG	42X55X8	224644	ALLCH	471224!
22331	C-R	471341!	22384	C-R	473473*	22422	C-R	410737!*	22465	C-R	40316S
22332	C-R	471341!	22384	HI-EQ	471413!	22422	GARLK	470565!	2246580	GMC	5408
22332R	DIA	470898!	22385	C-R	473473	22424	C-R	410737!	22468	C-R	40316S
22333	C-R	471341!	2238502	GMC	5410\$	22425	C-R	3095	224687	ALLCH	473424!
22333	GMC	417536	2238542	GMC	5473\$	22425	C-R	410737!	22472	C-R	472636!
22333TB	TRSCM	412920!	2238543	GMC	5408	22426	C-R	410737!	22474	C-R	456837V
22333TBN	TRSCM	412920!	22388	LAVIN	473426	22427	C-R	410737!	22476	C-R	472636!
22333VB	TRSCM	412920	223880C1	CASE	472843	224285	CLARK	3439N=	22477	C-R	472636!
22334	C-R	471341!	2238860	CHRYS	417487!	224286	CLARK	470334=	224772	CINMI	417604
22334SA	TRSCM	412920	2238860	CHRYS	417487	224287	CLARK	470898=	224777	ALLCH	240151
22334TA	TRSCM	412920!	2238860	GMC	417487!	22430	C-R	200763*	224779	ALLCH	470950!
223354TA	TRSCM	411253	2238860	GMC	417487	2243081	GMC	416130!	224779	ALLCH	6241S
22338	C-R	471341*	22389	LAVIN	471504!	22431	CLARK	330385!	22477908	ALLCH	470950!
22338	C-R	471341!	2238916	GMC	470530!	22433	C-R	472636!	22477908	ALLCH	6241S
22339	C-R	471341!	2238917	GMC	472179	22434	C-R	472636!	22480	C-R	472636!
2234	ALLCH	471570!	22390	C-R	473473	22434	GARLK	413246	224810	ALLCH	471192
22340	C-R	471341!	22391	C-R	473473	224348	US-EL	472185!	2248112	GMC	50199S!
22341	GARLK	412920!	2239124	CHRYS	416654	22436	C-R	473245!	2248112	GMC	6863S!
2234133	IVECO	713132	22392	C-R	473473*	224362	MICH	415984!	22482	C-R	472636!
2234377	GMC	370012A	22393	WOOL	417159	224362	UNIVE	415984!*	224820	NATL	1188
2234378	GMC	370012A	22394	C-R	473473	2243649	GMC	5410	224820	WMG	1954
22345	C-R	471341!	22396	C-R	473473	2243649	MOHWK	5410	22483	C-R	44052
22346	C-R	471341!	22397	C-R	473473	22437	C-R	472636!	224830	NATL	224820
2234866	CHRYS	417316!	22399	C-R	471138!	224375	MICH	417316!	224831	NATL	1969
22349	C-R	471272*	22400	C-R	471138!	224375	UNIVE	417316!	22484	C-R	454136N
22349	C-R	471272!	22400PTB	TRSCM	722250	22438	C-R	472636!	22485	C-R	411253!
2234D	GOODM	416282	22401	C-R	471138!	224387	UNIVE	415960!	224850	NATL	48X72X7!
22350	C-R	471272!	22402	C-R	471138!	224388	MICH	415960!	22486	C-R	411253!
2235018	GMC	5778	22403	C-R	471138!	22440	C-R	472636!	22490	C-R	411253!
2235082	GMC	416888!	2240314	GMC	410825	224400	UNIVE	416706!	224914	ALLCH	240356
22351	C-R	40520S	22404	C-R	471138!	22440MA	IH	476838!	22492	C-R	411253!
223510	SPG	35X47X7	22404	LAVIN	471733	22441	C-R	472636!	22493	C-R	411253!
2235140	CHRYS	450400	224040	SPG	224040	22442	C-R	472636!	22494	ALLCH	240356
223520	NATL	35X50X8!	224040	SPG	40X60X10!	224425	UNIVE	416282	22494	C-R	411253!*
22353	C-R	471272!	224045	SPG	40X62X12	22443	C-R	472636!*	224955	ALLCH	240414
223538	CLARK	415483	22406	C-R	471138!	22443	TMTR	473232!	22498	C-R	411253!
22354	C-R	471272!	22407	C-R	471138	22444	C-R	472636!	224A13208	TROS	470380!
2235490	CHRYS	415995!	22408	C-R	471138!	22445	C-R	472636!*	224A13208	TROS	472189A!
22354TA	TRSCM	411376!	22409	C-R	471138!	22446	C-R	472636*	224A132X12	TROS	9613S
22355	C-R	471272!	22409	LAVIN	474278!	22446	C-R	472636!	224B12406	TROS	9568
223552	NATL	35X62X7!	2240929	GMC	471765!	22446	GARLK	413247!	224B13606.5	TROS	472299
223552	SPG	35X62X7*	2241	FED	450332	224462	SPG	44X62X8	224FF116	C-R	470625!
22356	C-R	471272!	22410	C-R	471138!	2244627	GMC	5452	225003	SPG	415458!
22358	C-R	471272*	2241142	GMC	240731	22447	C-R	472636!	225010	NATL	1209
22358	C-R	471272!	2241143	GMC	240736	22448	C-R	472636!	225010	WMG	5770
22359	C-R	471272*	22412404	TROS	473215!	22448	C-R	472636*	225019	MIHLE	416476!
22359	C-R	471272!	22412408	TROS	473215!	22449	C-R	712512	225019R	ROCKW	416476!
22359	HI-EQ	471570!	22412411.25	TROS	473215!	224526X	GAL	JV1999=	225020	MIHLE	455576!
22361	C-R	471272	22412808	TROS	473225!	224530	NATL	1012	225020R	ROCKW	455576!
223613	CLARK	471267!	22413	C-R	410737!	224530	NATL	1012N	22504915	GM	421
22362	C-R	471272!	22413204	TROS	470380!	22454	C-R	1932	225050	NATL	50X80X8
2236217	GMC	7840S	22413206.25	TROS	470380!	224558	ALLCH	471442!	225051	AUTOZ	TCS45968
2236257	GMC	415458	22413208	TROS	470380!	22455806	ALLCH	471442!	22505150	GMC	8660S
22363	C-R	471272	22413209	TROS	470380!	224577	CLARK	417316=	2250534	GMC	471103!
22364	C-R	40520S	22413212	TROS	410059	224583	JEFF	415034!	2250582	GMC	412119
22368	C-R	40520S	22413212	TROS	470380!	22459	US-EL	471504!	22506	C-R	411253!
2236978	GMC	7412S	22413604	TROS	40438S	2245J-36	ROCKW	JV1869=	225068	AUTOZ	35011
223707A	HARWA	22X37X8	22413606.5	TROS	472299	2245J10X	GAL	JV1978=	225074	AUTOZ	35127
223708A	HARWA	22X37X7!	22413608	TROS	472299	2245Y-51	ROCKW	JV2038=	225075	CLARK	470954* =

! Industrial Size/Type * Minor Width Difference \$F-M Number Is Part Of A Kit
 = The U.S. customer service number is 877-4-TIMKEN. The Canadian customer service numbers are 800-565-4927 (English) and 800-565-0438 (French-Canadian).

NUMERICAL INTERCHANGE

Mfr. No.	Name	Zero Duplication or Recommended Industrial	Mfr. No.	Name	Zero Duplication or Recommended Industrial	Mfr. No.	Name	Zero Duplication or Recommended Industrial	Mfr. No.	Name	Zero Duplication or Recommended Industrial
225084	AUTOZ	35300	225351	CLARK	416271=	22583	C-R	411376!	22626	C-R	415259!*
225085	AUTOZ	35301	22536	GARLK	471271!	225834R91	IH	474278!	22628	C-R	415234!
225086	SPG	417487!	2253622	GMC	472015!	225835R91	IH	474278!	226290	NATL	62X90X10
225086	SPG	417487	22540	C-R	412920!	22584	C-R	411376!	22630X	MASSE	450068
225091	AUTOZ	35327	225409	CINMI	471554!	225844	ALLCH	450984	22632	C-R	415259!
22510	C-R	411253!	22541	C-R	412920!	22585	C-R	411376!	22632	GARLK	415483
22511	C-R	411253!	225419	CINMI	473238	225851	CLARK	416271=	2263635	GMC	417181!
225110	C-R	473212!	225450	ALLCH	471835!	225852	CLARK	416024=	2263700	GMC	6846S=
225111	C-R	50168	225450	CLARK	471835!	225856	CLARK	471281!	2263701	GMC	417210!
225111	CLARK	415458!	22545259	GMC	40375	22587	C-R	5521	2263712	GMC	416271!
225112	C-R	473214	22545260	GMC	320259	225870	NATL	225872	226375	MICH	455005
225112	CLARK	473214!	225460	SPG	54X82X10	225872	NATL	58X72X8	226375	UNIVE	455005
225112	GOODM	473214	225461	CLARK	473224=	2258746	GMC	415138!	226387	UNIVE	417485*
225112M1	C-R	473214	225477	CLARK	471267!	225880	NATL	58X80X8	226388	MICH	417485
225114	C-R	473016!	22548	GARLK	470605!	2258893	GMC	370005A	226400	UNIVE	475384*
225114	GW	473016!	22550	C-R	412920	2258907	GMC	370005A	2264076	GMC	6245S=
22511514	GMC	8660S	225502	HYST	473228!	2259040	GMC	415058	2264272	GMC	473447
225116	C-R	470625!	22551	GARLK	415449!	225909	CHRY	416706=	2264274	GMC	415458!
225116M1	C-R	470625!	225510	AUTOZ	35418	225909	CLARK	416706	2264287	GMC	470565!
225117	CINMI	417344!	225530	NATL	55X72X8!	225928	CINMI	473232	22644	C-R	55337*
225118	C-R	471571	22554	C-R	412920!	225929	CLARK	471224!	22644	GARLK	415458!
225119	ALLCH	472354!	22555	C-R	412920!	2259318	GMC	5406	22645	C-R	55337
22512	C-R	411253	225550	NATL	55X80X8	225940	CINMI	471224!	22647	C-R	415254*
22512	C-R	411253=	225560	NATL	55X85X10	2259540	GMC	455037	22648	C-R	415254
225124	C-R	450400	22557	C-R	412920!	225957	CLARK	473010	226481	FMS	64X80X8
225124	CLARK	450400	22557	GARLK	415449!	2259657	GMC	417506	22651	C-R	5921
22512853	GM	411	22558	C-R	412920!	2259662	GMC	370019A	226515	FMS	65X80X8
225132	AUTOZ	35507	22559	C-R	412920!	22597	C-R	411376!	22653	C-R	722250
225133	AUTOZ	35508	22560	C-R	412920!	2259713	GMC	370002A	226530	SPG	65X90X10
22514	C-R	450604	22561	C-R	412920	225995	GMC	416271!	226550	NATL	65X100X10
225141	AUTOZ	35524	225615	SPERY	473237!	225W112	C-R	473214	22656	GARLK	417343!
225142	AUTOZ	35526	22562	C-R	712512+99229	225W112-M1	C-R	473214	2265811	CHRY	8133S
225146	SPG	415146!	22563	C-R	200929	225W116	C-R	470625!	2265D	GOODM	474277
225146	SPG	415991	225643	AUTOZ	72665	225W116-M1	C-R	470625!	22660	C-R	55268
225147N	SPG	415449!	2256492	GMC	370002A	225W16	C-R	474255	226620	ALLCH	6759S
225149	AUTOZ	35547	2256494	GMC	6754S=	225W16M1	C-R	474255	2266378	CHRY	8121S
22515	C-R	411253!	2256495	GMC	370002A	225W18	C-R	450165	226672	OILGR	450457
225150	AUTOZ	35548	22565	C-R	41075S	225W18	C-R	471801	226673	OILGR	50528
225154	AUTOZ	35555	225650	NATL	56X72X11.5	225W18M1	C-R	450165	2266839	CHRY	6960
225159	AUTOZ	35608	22567	C-R	41075S	225W18M1	C-R	471801	2266894	CHRY	8597S
22516	C-R	474255	225685	CLARK	450400	226010	NATL	60X75X8	2267129	CHRY	7188S
225161	CLARK	415991	22569	GARLK	416273	226017	CLARK	417474	2267156	CHRY	7214
225161	CLARK	415991!	22569X	SPICE	472560N	22602	C-R	411376!	2267583	GMC	417596
22516M1	C-R	474255	22570	C-R	455136	226020	SPG	60X80X8	2267915	GMC	350435
22517	C-R	411253!	22571	C-R	455136	226021	CLARK	473234=	22679M	IH	474264
225177	CLARK	415458	2257151	GMC	417353!	226040	NATL	60X85X8	2268	GOODM	471466!
22518	C-R	450165	225727	CLARK	471766!	22604X	MASSE	450400	22680M	IH	473419
22518	C-R	471801	225731	CINMI	417621!	22605	C-R	411376!	22683	GARLK	416664!
22518	CABOT	450165	225732	CINMI	415187	226055	CLARK	471689!	226830	NATL	68X90X10
22518	CABOT	471801!	225733	CINMI	470059	226056	CLARK	471442!	226850	NATL	68X100X13
22518	GOODM	450165	225733	CINMI	470380!	22605X	MASSE	416404!	2268921	CHRY	13338
22518	GOODM	471801!	225736	CASE	471554!	22606	C-R	411376!	2268RC	SUL	471466!
22518	GR-DV	450165	225737	CINMI	471649!	226072	CLARK	410694!	2269	NATEN	416229
22518	GR-DV	471801!	22574	C-R	455136*	2260834	CHRY	8121S	226938R91	IH	7866S
22518M1	C-R	450165	22575	C-R	411376!	226099	CLARK	410496!	226940	CLARK	412119
22518M1	C-R	471801	2257527	GMC	5951	226101	CLARK	472705!	226942	CLARK	416404=
22519	C-R	473212!	22576	C-R	455136	226127	CLARK	471870!	226944	CLARK	416024=
225193	PACIF	416892!	225763	CLARK	416404=	226128	CLARK	470774!	226961	CLARK	412473=
2251OS	JN-MN	417247!*	225764	CLARK	415025=	22613708.25	TROS	450666	22698	GARLK	415984!
225208	SPG	52X65X9	225767	ALLCH	473444	226137X08	TROS	450666	226A14703	TROS	8705S
225220	NATL	1884	22577	C-R	455136	22614	C-R	3095	226A15403.75	TROS	29129S
225220	SPG	52X68X8	225782	CLARK	416289N=	226147	ALLCH	415995!	226A15603.75	TROS	7934S
225227	NATL	225650	2258	MID	473227	22616	C-R	415234!	226B15604	TROS	353120
225281C91	IH	417349!	2258	MID-R	473227	226169	CLARK	471141=	227006R91	IH	471413!
22529188	GMC	40375	22580	C-R	411376!	22617	GARLK	413248	227050	NATL	70X95X13
2253	UNIVE	472397!	225805	ALLCH	5MR1301	22618	C-R	415234!*	227060	NATL	70X100X13
22531277	GMC	320259	225806	ALLCH	42260S	22619	C-R	415234!*	22710	GARLK	417316!
225316	CLARK	472164!	22581	C-R	411376!	2261VGR	SPG	2261	227114R91	IH	418028
22531F	DIA	417484!	22582	C-R	411376!	22622	C-R	415234!*	227114R91	IH	455137!
22532	C-R	412920!	225823	CLARK	470565=	22623	MASSE	471763	22714907.5	TROS	6936S
22533550	GMC	710329	225826	CLARK	410825	22623X	MASSE	471763	227154	CLARK	412473=
225349	CLARK	471341!	2258269	GMC	417541	22625	C-R	415234	227160075	TROS	470409!

! Industrial Size/Type *Minor Width Difference

= The U.S. customer service number is 877-4-TIMKEN. The Canadian customer service numbers are 800-565-4927 (English) and 800-565-0438 (French-Canadian).

Mfr. No.	Name	Zero Duplication or Recommended Industrial	Mfr. No.	Name	Zero Duplication or Recommended Industrial	Mfr. No.	Name	Zero Duplication or Recommended Industrial	Mfr. No.	Name	Zero Duplication or Recommended Industrial
227160075	TROS	50409	22813	C-R	58X72X8V	228400	MICH	416921!	2295936	GMC	370021A
227178	CINMI	470712!	22813204	TROS	7886S	228400	UNIVE	416921!	22964	PERSN	471766!
2271832	GMC	474278!	22813207.5	TROS	471820	22841	C-R	225875	2296526	GMC	471787!
227189	CINMI	417316!	22813604	TROS	471821!	228412	UNIVE	417134	22966	VICK	472409!
22719	GARLK	415960	22813607.5	TROS	471821!	228413	MICH	417134	22967	VICK	416865!
2272	UNIVE	6245S=	22813807.5	TROS	473232!	2284159	GMC	6638S	2296767	GMC	471529
227221	CINMI	415047	22814	C-R	710439	22845	C-R	710144	22969	VICK	472409
227230	NATL	72X95X10	22814007	TROS	473367!	22849	C-R	58X85X10	2297	NATL	39807
227240	NATL	72X100X12	22814007	TROS	473367	2284OS	JN-MN	416404!*	2297	WMG	5231
227272R91	IH	415449!	22814007.5	TROS	473367	228500	FMS	716102	229725	ALLCH	471570!
227338R91	IH	100495	22814007.5	TROS	473367!	22851	C-R	58X85X10!	229727	ALLCH	471570!
227338R91	IH	417349	22814014.5	TROS	473367	228520	NATL	85X110X12	2297HX	SPG	2297
22734X	MASSE	473225!	22814405	TROS	473445	228520	SPG	85X110X12	2298288	GMC	5313
22742	C-R	39821	22814407.5	TROS	473445	228540	NATL	85X120X12	229859	CLARK	472082
22745	GMC	470712!	22814804	TROS	43071S	228547	CLARK	472258	2299	UNIVE	471192
22746X	MASSE	415007	22814804.5	TROS	471504	22859	C-R	58X88X8	229967	ALLCH	410059
2274887	GMC	470565!	22814806	TROS	471504!	2285OS	JN-MN	415001!	229967	ALLCH	470380!
2274890	GMC	410737!	22814807.5	TROS	471504!	2286140	GMC	5711	229985	CLARK	471271!
2275322	ALLCH	6863S!	22815	C-R	225872	2286162	GMC	470954!	229985	IH	471271!
2275398	GMC	418028	22815	C-R	58X72X8!	2286171	GMC	416167!	229995R91	IH	240731
2275550	VICK	418028	22816	C-R	225872	22869	C-R	58X90X10	22A2094	HEIL	415483!
227572	ALLCH	5128N	22816	C-R	58X72X8!	2286911	GMC	471766!	22A2291	HEIL	417538
2276335	GMC	470530!	22817	C-R	58X72X8V!	2286OS	JN-MN	415035!	22A2291	OLIVE	417538
227662	CLARK	415035=	228176	ALLCH	5246	2286OS	JN-MN	415035	22A2383	HEIL	471267!
227677	ALLCH	414268!	22818	BR-WN	415294!	22870	C-R	204035	22A2385	HEIL	474278!
227679	ALLCH	472299=	22818	C-R	58X72X8	22878	C-R	710268	22A2450	HEIL	416865!
22767905	ALLCH	472299=	22819	BR-WN	450400	22881-60G10	SUZUK	710524	22HS376	OSHKO	417210!
2276796	GMC	473231	22819	C-R	710136	22881-82300	SUZUK	223831	22X25261A	JOHND	473474
2276798	GMC	473454	228192	ALLCH	473435	228885-R91	IH	370007A	22X25561A	JOHND	473197
22767D	IH	450040	2282068	GMC	471192	22892	LAU	6863S!	22X26939A	JOHND	J1267=
22770	GARLK	415303!	22821	C-R	710183	2289513	GMC	6612S	22X27558B	JOHND	JX1386=
2278189	GMC	415449!	22822	C-R	225875*	228A10004	TROS	471516!	22X31X6AS	ISP	22X31X6
22782	GARLK	417344!	22822	C-R	58X75X11!*	228A10005	TROS	471516!	22X32X7SC	TRSCM	222210
227830	NATL	78X100X10	2282265	GMC	415483	228A10807.5	TROS	473259	22X32X7SC	TRSCM	22X32X7!
227841	ALLCH	471570!	22823	C-R	225875	228A11605	TROS	471407	22X32X7TC	TRSCM	22X32X7
22785	CHERY	416444	22823-61A01	SUZUK	473179	228A12404	TROS	471276	22X35X7SB	TRSCM	22X35X7
227850	ALLCH	410059	22824	C-R	225875	228A12407.5	TROS	471276	22X35X7SC	TRSCM	22X35X7
227850	ALLCH	470380!	22824	C-R	58X75X11!	228A13204	TROS	471344	22X35X7TC	TRSCM	22X35X7
2278653	GMC	340400	228247	ALLCH	340724!	228A13207.5	TROS	471344	22X36X7SC	TRSCM	22X36X7
22789	CHERY	473228	22826	C-R	710129	228A13209	TROS	471344	22X36X7TC	TRSCM	22X36X7
2279	NATL	3894V	22826X	MASSE	470625!	228A13215.5	TROS	471344	22X37X7	SIMRT	22X37X8
22791	CHERY	473016!	22827	C-R	225880	228A13604	TROS	471827!	22X37X7SC	TRSCM	22X37X7
22791	GARLK	417158!	22827	C-R	58X80X8!	228A13608	TROS	471827	22X37X7TC	TRSCM	22X37X7
22791X	MASSE	417158!	228277	ALLCH	474256	228A13608X	TROS	471827	22X38X7AN(35)	ISP	22X38X7
2279997	CHRY	471538	22827X	MASSE	470059	228A136X12.5	TROS	471827!	22X38X8SC	TRSCM	22X38X8
228012	FMS	80X100X10!	22827X	MASSE	470380!	228A14010	TROS	471829	22X38X8TC	TRSCM	22X38X8
228020	ALLCH	411376!	22828	C-R	4408*	228A14012.5	TROS	471829	22X40X7SC	TRSCM	22X40X7
228030	NATL	80X110X12	22828	C-R	58X80X8!*	228A14804	TROS	471831!	22X40X7TC	TRSCM	22X40X7
2280659	GMC	6592S=	22829	C-R	58X78X8	228A14806	TROS	1012	22X40X8SC	TRSCM	22X40X8
22808	C-R	710439	22830	C-R	205035	228A14806	TROS	1012N	22X40X8TC	TRSCM	22X40X8
22809	VICK	5711	22831	C-R	225880*	228A14807.5	TROS	471504!	22X42X10SC	TRSCM	22X42X10
22810	VICK	416167!	22831	C-R	58X80X8!*	228B14014	TROS	471829	22X42X10TC	TRSCM	22X42X10
22810807.5	TROS	450332	228313KB	TRSCM	493291	228B15804	TROS	8704S	22X42X7SC	TRSCM	22X42X7
22810X	MASSE	340356	22832	C-R	225880	229	C-R	5414	22X42X7TC	TRSCM	22X42X7
22811	VICK	415991	22832	C-R	58X80X8	229	ROCKW	370003A	22X45X7	SIMRT	22X45X7
22811	VICK	455146!	22833	C-R	225880	229030	NATL	90X120X12	22X45X7SC	TRSCM	22X45X7
228110	C-R	40769S	22833	C-R	58X80X8V!	229108	ALLCH	471958	22X45X7TC	TRSCM	22X45X7
228112	C-R	50402	22834	C-R	225880*	22910908	ALLCH	415145N=	22X47X7SC	TRSCM	22X47X7
22811207.5	TROS	474254	22834	C-R	58X80X8!*	22918	VICK	470954!	22X47X7TC	TRSCM	22X47X7
22812	GARLK	416921!	22835	C-R	493291	229229	ALLCH	470625!	22X82740A	JOHND	415066
22812	HI-EQ	472164!	22835X	MASSE	417158!	229285R11	IH	5MR1009	22X82741A	JOHND	J1134
228122	CLARK	417316=	22836X	MASSE	50081	229313VHY	TRSCM	204035	22Y618	GWI	470059
22812404	TROS	470950!	228375	MICH	417344!	2293240	GMC	471224	22Y618	GWI	470380!
22812404	TROS	6241S	228375	UNIVE	417344!	229351	ALLCH	472409!	22Y618	KEN	470059
22812404.75	TROS	6241S	228375SLT	MICH	417344!	229367	CLARK	472164!	22Y618	KEN	470380!
22812407.5	TROS	470950!	22837X	MASSE	415007	229367	CLARK	472164	22Y815	GWI	45001!
22812407.5	TROS	6241S	228385	CLARK	415483	229372	ALLCH	471255!	23	WGEAR	471646!
22812409	TROS	470950!	228387	UNIVE	417158!	2293807	GMC	471787!	23000	FUNK	472572!
22812409	TROS	6241S	2283871	GMC	JV1210=	2293979	GMC	456618	2300768	EATON	472164!
22812804	TROS	6966S	2283872	GMC	5403	229510	NATL	95X120X12	230083	SPG	472924!
22812805	TROS	6966S	228388	MICH	416404!	2295401	GMC	5405	23009	GARLK	417349!
22812807.5	TROS	474264	22840	C-R	710136	2295935	GMC	415064	230101N	SPG	412119

! Industrial Size/Type * Minor Width Difference

= The U.S. customer service number is 877-4-TIMKEN. The Canadian customer service numbers are 800-565-4927 (English) and 800-565-0438 (French-Canadian).

NUMERICAL INTERCHANGE

Mfr. No.	Name	Zero Duplication or Recommended Industrial	Mfr. No.	Name	Zero Duplication or Recommended Industrial	Mfr. No.	Name	Zero Duplication or Recommended Industrial	Mfr. No.	Name	Zero Duplication or Recommended Industrial
230106	FWD	370001A	230D4	WHITE	472144!	231626	AUTOZ	436RR	23213212	TROS	473228!
23010610	GMC	340847	230X260X15	FORSH	230X260X15	231627	AUTOZ	437RR	23213308	TROS	473228
23013719	GMC	473367	230X260X15	SIMRT	230X260X15	231628	AUTOZ	438RR	23213604	TROS	40185
23014004.75	TROS	6283S	230X260X15SC	TRSCM	230X260X15	231629	AUTOZ	440RR	23213608	TROS	473229
23015352	GMC	417495	230X260X15TC	TRSCM	230X260X15	231630	AUTOZ	444RR	23213808	TROS	482253
23015975	GMC	473179	231003	NATL	100X125X12	231631	AUTOZ	442RR	23214004.5	TROS	6356
23016199	GMC	456621V=	231005	FMS	100X130X12!	231632	AUTOZ	443RR	23214006	TROS	473010!
23016947	GMC	487397V	23104	GARLK	417621!	231635	AUTOZ	458RR	23214006C	TROS	473010
23018	GARLK	417350!	231052	SPICE	J1128	231636	AUTOZ	453RR	23214008	TROS	473010
2301820	GMC	416888!	231052	VIC	J1128	231637	AUTOZ	451RR	23214012	TROS	473010
230183	MARMO	472179	231053	NATL	105X130X12	231638	AUTOZ	452RR	23214406	TROS	473234!
230183N	SPG	472179	231058	NATL	105X140X12	231640	AUTOZ	435RR	23214408	TROS	473234
23018538	GMC	415073V=	231074	ALLCH	471652	231641	AUTOZ	454RR	23214409	TROS	473234!
230186	FWD	370001A	2311035	WOOL	470898!	231642	AUTOZ	449RR	23214412	TROS	473234!
2302139	GMC	416167!	231104	NATL	110X130X12	231643	AUTOZ	455RR	232144X10	TROS	473234!
23026015A	HARWA	230X260X15	23111	ALLCH	415995!	231644	AUTOZ	456RR	23214804	TROS	472164!
23033	CASE	472258!	23111	C-R	411394!	231645	AUTOZ	457RR	23214806	TROS	472164!
23033	GARLK	415995!	23113	C-R	411394!	231646	AUTOZ	450RR	23214806.5C	TROS	472164
23035	C-R	442874	231152	NATL	115X140X12	231648	AUTOZ	70484-1	23214808	TROS	472164!
230352	SPG	472164!	231154	NATL	115X150X12	231649	AUTOZ	448RR	23214810	TROS	472164!
230387	UNIVE	417159*	2311550	GMC	471466!	231651	AUTOZ	431RR	23214812	TROS	472164!
23039	C-R	5585	23116	GARLK	416288!	231652	AUTOZ	432RR	232148X08	TROS	472164!
23040	C-R	411160V	23118FX	OSHKO	470605!	231653	AUTOZ	433RR	23216004.5	TROS	6815
23040	KNICK	5751	2311D5	WHITE	474278!	231655	BRCWY	417181!	23216006	TROS	471195!
230400	MICH	416654!	23120	C-R	411394!	231659	AUTOZ	434RR	232173	ALLCH	471958
230400	UNIVE	416654!	231206	NATL	120X150X12	23167	C-R	450133*	23220004	TROS	35254!
230412	UNIVE	417486	231208	NATL	120X160X12	23169	C-R	450133	232205	NATL	220X250X15
23041246	GMC	415073V=	231217	ALLCH	415995!	231705	NATL	170X200X15	23221	GARLK	476470
230413	MICH	417486	231255	NATL	125X160X12	231708	CLARK	471652=	232220	HYST	471765!
23042	GARLK	417351!	231270	BENDI	471103!	231717	CLARK	472705!	2322621	GMC	370003A
230425	BENDI	471795	2312737	GMC	474276!	23172	VICK	471766!	23236	GARLK	47181!
23044H	IH	473463	2312879	GMC	240733	231733	BRCWY	415995!	2323680	GMC	474272
23045095	GMC	471224=	2312883	GMC	471267!	23175	VICK	472439	232398	CLARK	473245=
23045096	GMC	471224!	231296	CLARK	J1134	231751	CLARK	473446*	2324	CASE	6575S
23045097	GMC	471472=	23130	C-R	5924	23176	VICK	350909	23243	VICK	416476!
23045344	GMC	471529	231302	NATL	130X160X12	23176	VICK	471224!	23255	C-R	416444
230462R91	IH	417316!	231302VB	TRSCM	442874	2317614	GMC	370003A	23264H	IH	415007
23046430	GMC	415073V=	231305	CLARK	J1126	2317696	GMC	6612S	23264HA	IH	415007
23049496	GMC	4528N	231305	NATL	130X170X15	231798	CLARK	415349=	23264HB	IH	415007
23049636	GMC	4532N	231324SA	TRSCM	411394	231805	NATL	180X210X15	232712	CLARK	415984!
23049814	GMC	4529N	231334	CLARK	416271!	231811	HYST	473237!	232714	ALLCH	472409!
23049846	GMC	4530	231335	CLARK	415138!	23184	C-R	416444*	2327142	ALLCH	472409!
23050	C-R	43109S	231336	CLARK	416339	231842	CLARK	417554!	2327284	GMC	415995!
23056	C-R	472150	2313534	GMC	240731	231843	CLARK	J1138	2327286	GMC	473231
23061	C-R	472150	23137	MICH	50026	23185	C-R	416444	2327401	GMC	100495
23062	C-R	472150	23137	UNIVE	50026*	2318576	GMC	415995!	2327401	GMC	417349
23063	C-R	472150!	23139	C-R	410694!	23186	C-R	416444	23275	GARLK	417353!
230630	ACF	473214!	23140	C-R	410694!	23187	C-R	416444	23276	C-R	710430
23064	C-R	472150	231405	NATL	140X170X15!	231884	CLARK	417484!	23277	C-R	455321
23065	C-R	472150	231405	NATL	231404	231901	GMC	6064	23278	C-R	710168
23068	C-R	472150	2314093	GMC	415371	231905	NATL	190X220X16	232780	CINMI	472397!
230689	ACF	473214!	2314094	GMC	416865	2319067	GMC	6358	2328067	GMC	473231
23069	C-R	472150	23143	GARLK	417171!	231950	HYST	416288!	2328068	GMC	471267!
23073	C-R	472150	2315000	FMC	455189	23199	VICK	471141!	2328069	GMC	471267!
230737	SPG	410737!	231502	NATL	150X180X12	232-319	ELRNG	710205	2328334	GMC	417505
230747	BENDI	471689!	23152	C-R	410694!*	232005	NATL	200X230X15!	23284	C-R	710121
230747	GMC	471689!	23153	C-R	412119	2320064	GMC	450400	23286	C-R	710121
2307OS	JN-MN	415064	23158	C-R	410694!*	2320312	GMC	415302	232862	CLARK	416888!
230839	CLARK	416795N=	231598	AUTOZ	2941	23206	HYST	471224!	2328694	GMC	417505
230851	ALLCH	471765!	231605	NATL	160X190X15	232066	CLARK	416961N=	2328694	GMC	6864S
230874R91	IH	7600S	231608	AUTOZ	16269-1	232077	CINMI	416892!	23297	C-R	710229
23092	C-R	411394!	231609	AUTOZ	16255-1	23212006	TROS	481834	23299	C-R	710231
23093	C-R	411394!	231610	AUTOZ	16260-1	23212404	TROS	7245	232995	CLARK	415234!
2309388	GMC	471413	231611	AUTOZ	427RR	23212408	TROS	471835!	232A14404.5	TROS	40154S
230947	SPICE	J1124	231614	AUTOZ	425RR	23212808	TROS	473226	232A15607	TROS	473454
230947	VIC	J1124	231616	AUTOZ	428RR	23213204	TROS	473228	232A15607C	TROS	473454
2309480	GMC	417484!	231617	AUTOZ	446RR	23213205	TROS	473228	232B12405	TROS	7687S
23095	C-R	411394!	231619	AUTOZ	429RR	23213207	TROS	473228	232E14006	TROS	473010!
23095	CLARK	412861	231622	AUTOZ	447RR	23213208	TROS	473228	232E14006C	TROS	473010!
230954	CLARK	412861	231623	AUTOZ	445RR	23213209	TROS	471193	233	CARVR	471766!
23096	C-R	411394!	231624	AUTOZ	70800	23213210.5	TROS	473228!	233-S443173945	BENDI	470950!
23097	C-R	411394!	231625	AUTOZ	439RR	23213211	TROS	473228!	233-S443173945	BENDI	6241S

! Industrial Size/Type *Minor Width Difference

= The U.S. customer service number is 877-4-TIMKEN. The Canadian customer service numbers are 800-565-4927 (English) and 800-565-0438 (French-Canadian).

Mrf. No.	Name	Zero Duplication or Recommended Industrial	Mrf. No.	Name	Zero Duplication or Recommended Industrial	Mrf. No.	Name	Zero Duplication or Recommended Industrial	Mrf. No.	Name	Zero Duplication or Recommended Industrial
23300	C-R	3945	234322	BENDI	471689!	23501819	GMC	470954	2355087	GMC	6863S!
23300	C-R	4131	23436	C-R	226018	2350300	SHEP	472397!	235533	VICK	343185
23300	C-R	493637*	23436	C-R	60X78X8!*	2350310	SHEP	473229	23559	MALL	471688
2330111	H-S	473439!	23438	C-R	226020	23503969	GMC	710258	235593	CLARK	456967V!
2330114	H-S	471554!	23438	C-R	60X80X8!	235070	SPG	416865!	2356531	GMC	472636=
233012	H-S	415960	23439	C-R	226020	23507225	DETRO	JF2282	2356532	GMC	417487=
2330120	H-S	472015!	23440	C-R	226020	23507225	GMC	JF2282	235655	CLARK	416664
233014	CLARK	2643N=	23440	C-R	60X80X8!	23507226	DETRO	JF2280	235657	ALLCH	470530
233015	CLARK	2644N=	23440	VIC	470898!	23507226	GMC	JF2280	235665	GMC	473215!
23302VH	TRSCM	41026S	23441	C-R	60X80X8V	235086N	SPG	417487!	2357	C-R	6X16X7V
233064SA	TRSCM	473474	23442	C-R	226020*	235086N	SPG	417487!	235751	CLARK	472016=
2330B	GOODM	417344!	23442	C-R	60X80X8!*	235090	ALLCH	JV949=	2357683	GMC	417505
2330C	GOODM	417344!	23443	C-R	60X80X8*	235095	SPG	416271!	2357684	GMC	417541
233124	C-R	450400*	23444	C-R	60X80X8V	23509591	GMC	5422	23580	GARLK	415937!
23315606	TROS	340823	234449R91	IH	240733	23511	GARLK	476424N	2358463	GMC	410308
233156X06	TROS	332062	23445	C-R	60X82X7	235112	C-R	473215!*	2359	C-R	6X16X7V
23317	MALL	472951	23446	C-R	712006	23511393	GMC	325277TL	2359177	NOK	45X70X10
23317	MALL	474252	23447	C-R	60X85X8!	23511394	GMC	325277T	2359469	GMC	473454
233186	BRCWY	410308!	23447	C-R	60X85X8V	235114	C-R	473225!*	235949R	SPG	416500
2332303	GMC	370003A	23449	C-R	60X85X8	235116	C-R	470059	2360	C-R	6X16X7
233241	CLARK	471730=	23450	C-R	4539H	235116	C-R	470380	23600	C-R	4539H
23324PSB	TRSCM	480574H	23451	C-R	60X85X8	235116M1	C-R	470059	23601	GARLK	417355!
2332D	GOODM	416921!	2345112	GMC	416865	235116M1	C-R	470380	2360331	GMC	473228
233313VH	TRSCM	5924	234512	CLARK	100494	23511903	ALLCH	200865	23604	VICK	471570!
23332VH	TRSCM	40101S!	234512	CLARK	476470!	235120	C-R	473231	236065	ALLCH	471766!
23332VH	TRSCM	442507	23452	C-R	60X85X8	235120M1	C-R	473231	23606R	DIA	45637S
23334PTA	TRSCM	412119	234521	SPERY	470565!	23512418	GMC	481203N=	23612406	TROS	8168=
233374SA	TRSCM	413247	23453	C-R	60X85X12	23513485	GMC	5422	23613	GARLK	416125!
233374TA	TRSCM	413247!	23456	C-R	710350	23513578	GMC	5424	23613208	TROS	410190
2334388	GMC	5481\$	234576	CLARK	416865!	235137	SPG	415137!	23613608	TROS	450143
23344SA	TRSCM	410987	23458	C-R	710182	235137	SPG	418028	23614006	TROS	291099
23344TA	TRSCM	410987!	23459	C-R	60X88X8	23514147	GMC	5443	23614808	TROS	472193!
23346	GARLK	416294!	23460	GARLK	416624!	235146	SPG	415146!	23615207C	TROS	203006!
2334838	GMC	370005A	234631	GMC	470898	235146	SPG	415991	236156075	TROS	350936
2335152	GMC	473231	234631	SPICE	470898	23514608	GMC	41537	2361599	GMC	5406\$
23353PTB	TRSCM	416271	23464	C-R	1985	23515534	GMC	5441	23616008	TROS	9015S
2336	FALCK	415379	23465	C-R	60X90X10	23515634	GMC	5436	23620008.5	TROS	331301N
2336	FALCK	415379!	234650	CLARK	471466*	23516871	DETRO	48058!	23620405	TROS	332134
2336132	GMC	471570!	234651	CLARK	471281*	23516969	GMC	5424	23621508	GMC	733115
2336333	GMC	330385!	234653	CLARK	470954* =	235183	CLARK	416273	236224R91	IH	472164!
233637B	TRSCM	410825	23466	C-R	60X90X10	2351945	GMC	5778	236298	CLARK	471735=
23364	GARLK	412473!	23466	VICK	470774!	23522435	DETRO	472324	23630	C-R	41026S
233773	CLARK	472636=	23467	C-R	60X90X8	23522435	GMC	472324	23631	C-R	473573
2338	CONTI	470625!	23468	C-R	60X95X8	23522854	DETRO	483054V	23632	C-R	470764!
23382	FWD	472636!	2346838	GMC	473228	23523473+600471	SPG	600471	23632	C-R	50764
23384SA	TRSCM	417480	23471	C-R	60X90X10*	2352354	GMC	470898	23634	C-R	470764
23385	NEWPR	710058	2347192	GMC	472311!	2352381	GMC	470954!	23634	C-R	50764
23385	NOK	328039	2347294	GMC	416071	235253	ALLCH	472409=	2363HC	SPG	472409
23394	GARLK	417354!	2347374	GMC	350156	2352810	GMC	480630!	2363S	SPG	417254
2339F	IH	473462	2347374	GMC	473096	2352811	GMC	480630!	23640	C-R	41026S
234	CARVR	471766!	234761	CLARK	100495	2352836	GMC	410496!	23641	C-R	473573
234003	HYST	471281!	234761	CLARK	417349	2352946	GMC	416273!	23643	C-R	473474
234013	ALLCH	473245!	23479	C-R	60X95X13	235296	ALLCH	473438	23644	C-R	473474
234047	HYST	412119!	234820	BENDI	473231!	23529603	ALLCH	480058N=	23645	C-R	473474=
23405	CONTI	415234!	23484	C-R	710276	2353016	GMC	6808N	23645	C-R	473474
23405	IH	415234!	23486	C-R	60X105X8	235312	ALLCH	417344!	23646	C-R	470565!
23414012	TROS	8477S	23488	C-R	60X110X8	23531202	ALLCH	417344!	23646	GARLK	416041
2342	FALCK	415551	234939	CLARK	470898=	2353335	GMC	472636!	23647	C-R	470565!
23420	C-R	50501	23499	GARLK	417196!	235354	SPG	416404!	23648	C-R	470565!
23425	C-R	60X72X8!	234999	CLARK	4512*	235393	CLARK	473010	23649	C-R	470565!
23425	C-R	710379	234999	CLARK	714512	235394	CLARK	473454	23650	C-R	470565=
23426	C-R	60X75X8!	23500139	GMC	5163	235404R91	IH	415995!	23650	C-R	470565
23427	C-R	226015	23500286	GMC	3945	235430	HYST	417344!	23651	C-R	470565!
23428	C-R	60X75X8V	235003	SPG	415458!	2354323	GMC	410496!	23652	C-R	470565!
23429	C-R	60X75X8	2350041	SHEP	472185!	235462	CLARK	412119=	23653	C-R	470565!
2342OS	JN-MN	415988*	2350061	SHEP	411253!	235468	CLARK	471281*	23654	C-R	470565!
23430	C-R	60X75X8V	235009N	SPG	415960	235470	CLARK	471267=	23655	C-R	473474* =
2343139	GMC	417505	235012N	SPG	416654	2354727	GMC	415302=	23655	GARLK	415379
2343139	GMC	6864S	23501544	GMC	5424	2354728	GMC	471692	2365OS	JN-MN	415551
234319	BENDI	471413	23501545	GMC	5422	2354732	GMC	415995!	2366034	GMC	410737!
23432	C-R	710093	2350160	SHEP	450463	235498	SPG	415498	2366119	GMC	417480!
234321	BENDI	473231!	235016N	SPG	416288	2355	C-R	6X16X5	236623	BENDI	471737

! Industrial Size/Type * Minor Width Difference \$F-M Number Is Part Of A Kit
 = The U.S. customer service number is 877-4-TIMKEN. The Canadian customer service numbers are 800-565-4927 (English) and 800-565-0438 (French-Canadian).

NUMERICAL INTERCHANGE

Mfr. No.	Name	Zero Duplication or Recommended Industrial	Mfr. No.	Name	Zero Duplication or Recommended Industrial	Mfr. No.	Name	Zero Duplication or Recommended Industrial	Mfr. No.	Name	Zero Duplication or Recommended Industrial
236629	CLARK	470565 =	237116	C-R	470380	23760S	JN-MN	472185!	23844	C-R	417480!
23663	C-R	470565!	237116	FAIRB	470059	2377	NATL	713750	23845	C-R	417480!
23665	C-R	470565!	237116	FAIRB	470380!	23770	C-R	416271!	23846	C-R	416071
23666	C-R	473475	237116	GR-DV	470059	23771	C-R	416271 =	238491	CLARK	JV1132 =
23667	GARLK	417205!	237116	GR-DV	470380!	23772	CONTI	471766!	2384945	GMC	470898
236679	CLARK	311189	237116	LEROI	470059	237720	CLARK	415349 =	23851D	IH	450593!
236686	CLARK	476535N =	237116	LEROI	470380!	23773	C-R	416271 =	2385627	GMC	471570!
23670	C-R	473475*	237116	STEEL	470059	23773	C-R	416271 =	23857	C-R	712375
23671	C-R	473475*	237116	STEEL	470380!	23774	C-R	471271!	23858	C-R	455650 =
23672	C-R	413246	237116M1	C-R	470059	23775	C-R	416271!	2385S	NATL	4250
23673	C-R	413246	237116M1	C-R	470380	23776	C-R	416271!*	23860	C-R	710006
23676D	IH	471466!	237117	C-R	470059	23778	C-R	416271!*	2386619	GMC	418028
23678	C-R	413246	237117	C-R	470380	23779	C-R	416271!	23870	C-R	5487
236783	CLARK	476470 =	237117M1	C-R	470059	23781	C-R	416271!	23870101	JOHND	415958
23679	C-R	413246	237117M1	C-R	470380	23782	C-R	416271!	23873H	IH	415960
2368	C-R	417316!	237118	C-R	472299	23788	C-R	416271!*	2387418	GMC	472164!
23680	C-R	413246 =	237120	BUC-E	473231!	237909	ALLCH	413247!	2387420	GMC	472164!
23680	C-R	413246	237120	C-R	473231	237913R1	IH	42101S	23880	C-R	710170
23681	C-R	413246 =	237120	ESSIC	473231!	237919	CLARK	451143	2388334	GMC	370023A
23681	C-R	413246	237120M1	C-R	473231	237933	ALLCH	417191	23885	C-R	226150
23682	C-R	413246	237124	C-R	473237!	23794	C-R	416271!	23888	C-R	710528
23682	GARLK	416339	23717	C-R	412119!*	2379514	GMC	472636!	238888	EATON	471271!
23683	C-R	480574H	2371881	GMC	470898	237983	EATON	471271	238918	ALLCH	472012
236835	HYST	415379	23719	C-R	412119!*	23790S	JN-MN	415697!	23891D	IH	473213!
2368357	GMC	370002A	2371908	GMC	370012A	23790S	JN-MN	455547	238945	ALLCH	412920!
236836	HYST	J1126	237197	CLARK	470898 =	237A15304	TROS	6960	239	ROCKW	5603
23685	C-R	413246!	23721	C-R	40101S	237AW116-L	C-R	410059	2390257	GMC	5408
23686	C-R	413246	23721	GARLK	417211!	237AW116-L	C-R	470380!	239092	CLARK	4084* =
23686	C-R	413246 =	237224	CLARK	471466*	237B122115	TROS	8594S	239103	NATL	224015
23687	C-R	480574H	2372377	GMC	416500	237B12811.5	TROS	9116S	23914404C	TROS	9178S
23690	C-R	412119!	23725	C-R	442507	237C140X08.25	TROS	8835S	239150	NATL	5696
23691	C-R	710210	2372677	GMC	471267!	237F116	C-R	410059	239152	NATL	35X47X7
236922R91	IH	471413	2372702	GMC	4563V	237F116	C-R	470380!	239152	WMG	35X47X7
23693	C-R	412119!*	23729	C-R	412119!	237FM116	C-R	410059	239169R91	IH	415041
236932	EATON	470605!	23730	C-R	412119!	237FM116	C-R	470380!	2391842	GMC	472164!
236939	EATON	474281!	23733	GARLK	416345!	237W116	C-R	470059	239191	NATL	480630!
23694	C-R	5119	23734	C-R	413247!	237W116	C-R	470380	239192	NATL	223535
23695	C-R	412119*	23735	C-R	413247!	237W116M1	C-R	470059	239193	NATL	35X47X7
23698	C-R	710210	237360	GMC	470059	237W116M1	C-R	470380	239193	WMG	35X47X7
23699	C-R	412119!	237360	GMC	470380!	237W120	C-R	473231	239218	CLARK	470954* =
236A15605	TROS	350936	23730S	JN-MN	415960	237W120-M1	C-R	473231	2392508	GMC	370015A
237	ROCKW	100495	23740	C-R	413247!	237WL116Q4	C-R	470059	2394035	GMC	370019A
237	ROCKW	5601	23741	C-R	413247!	237WL116Q4	C-R	470380	2394036	GMC	370021A
23700	C-R	412119!	23742	C-R	413247!	237WL117M1	C-R	470059	2394037	GMC	370181A
23701	C-R	412119!	23743	C-R	413247!	237WL117M1	C-R	470380	2395373	GMC	7006S
23702	C-R	412119*	23744	C-R	200855*	238	ROCKW	4561V	2396498	GMC	413470
23702	C-R	412119!	23745	C-R	410987!	238	ROCKW	5602	2396499	GMC	413246
23702D	IH	450084!	23745	GARLK	415697!	2380	C-R	6X22X7!	239675	CLARK	471267 =
23703	C-R	412119*	23745H	IH	473464!	23800	C-R	416271!	2396869	GMC	470898
237033	ALLCH	472179	23745H	IH	473464	23801	C-R	416271!	2396870	GMC	470898
23705	C-R	412119!*	23749	C-R	410987!	238039	CLARK	471271!	2396880	GMC	240731
23706	C-R	412119* =	23751	C-R	710006*	2380496	GMC	417316!	2396T2	WHITE	471787!
23706	C-R	412119	23753	C-R	410987!	23806	C-R	2756N =	239718	CLARK	473204 =
23707	C-R	412119!	23754	C-R	410987!	23808	C-R	412861	2397420	GMC	472164!
23708	C-R	412119!	23755	C-R	410987!	23810	C-R	412861*	23977X	LIGET	440972
237082R91	IH	472164!	23756	C-R	410987!	23811	C-R	412861*	2398209	GMC	415458!
23709	C-R	412119*	237579	CLARK	413469 =	2381508	GMC	413246	2398220	GMC	415458!
23710	C-R	412119!*	23758	C-R	410987!	2381585	GMC	253099	2398409	GMC	8792S
23711	C-R	412119!	23759	C-R	410987!	23820	C-R	415857	2398465	GMC	470954
237110	C-R	473213!	2376	MID	470590	238200	HYST	472164!	239892	CLARK	4084 =
237111	C-R	450054	2376	MID-R	470590	23824D	IH	455008	239A12708	TROS	9342S
237112	C-R	473215!	23761D	IH	471750!	2383276	GMC	417254	23PS221	C-P	471472!
237112	FAIRB	473215!	2376261	GMC	6808N	23833	C-R	410825	23R009	SHOV	472492!
237112	JA-MI	473215!	23763	C-R	410987!	23835	C-R	410825*	23W015	SHOV	411253!
237112	JAE	473215!	23763	C-R	450686	23836	C-R	410825	2400084	CHRY	470898!
237112Q7	GEHL	473215!	23763	GARLK	417366!	23838	C-R	410825	2400163	CHRY	8935S
237114	C-R	473225!	23765	C-R	416271!	23839	C-R	410825	24003	C-R	4160
237114	GR-DV	473225!	23766	C-R	416271!	23830S	JN-MN	450474*	2400300	CHRY	7300S
237115	C-R	473438	23766	WOODB	472070	23840	C-R	410825	2400566	GMC	470954!
237116	BUC-E	470059	23767	C-R	416271!	23841	C-R	410825*	240076	ACF	50631
237116	BUC-E	470380!	23768	C-R	416271!	23841	C-R	410825*	24010	GARLK	415035
237116	C-R	470059	23769	C-R	416271!	23842	C-R	416071	24012408	TROS	472843

! Industrial Size/Type * Minor Width Difference

= The U.S. customer service number is 877-4-TIMKEN. The Canadian customer service numbers are 800-565-4927 (English) and 800-565-0438 (French-Canadian).

Zero Duplication or Recommended Industrial		Zero Duplication or Recommended Industrial		Zero Duplication or Recommended Industrial		Zero Duplication or Recommended Industrial		
Mfr. No.	Name	Mfr. No.	Name	Mfr. No.	Name	Mfr. No.	Name	
24012808	TROS	473437	240C15606C TROS	331227H	24183 MICH	450033	243116 C-R	471820
24013206	TROS	291099	240X270X15 FORSH	240X270X15	2418RC SUL	417316!	243118 C-R	471821!
24013404	TROS	40369S	240X270X15 SIMRT	240X270X15	2419982 GMC	416654	243118M1 C-R	471821!
24014004	TROS	473232!	240X270X15SC TRSCM	240X270X15	24201470 GMC	4934	243119 C-R	450065
24014008	TROS	473232	240X270X15TC TRSCM	240X270X15	24201871 GMC	3543	24312 C-R	411500*
24014010	TROS	473228!	240X280X16SC TRSCM	240X280X16	24201991 GMC	224840	243120 C-R	473367!
24014208	TROS	7457N	240X280X16TC TRSCM	240X280X16	24202535 GMC	4950	243120 C-R	473367
240143 KOHL		473234	2410236 GMC	472164!	24202835 GMC	3543	243120 GOODM	473367!
24014406	TROS	473235!	24110 C-R	4019N	24204330 GMC	100165*	243120 GOODM	473367
24014408	TROS	473235!	2411035 WOOL	475384	24204540 GMC	4583	243120M1 C-R	473367!
24014411.25 TROS		473235	241130L C-R	470409	2420630 GMC	6808N	243120M1 C-R	473367
24014412 TROS		473235	241130L C-R	50409	24207336 GMC	4333N	243120ML BUC-E	473367
24014412.5 TROS		473235!	2411979 GMC	330385!	24209839 GMC	4598	243120ML BUC-E	473367!
24014805 TROS		7607	2413360 GMC	370120A	242120 C-R	473367	243122 C-R	473445
24014806 TROS		472185!	241343 ACF	418028	242120 C-R	473367!	243123 C-R	50327
24014808 TROS		472185!	241343 ACF	455137!	242120M1 C-R	473367!	24314J DIA	474276!
24014811.25 TROS		472185!	24137 MICH	471554!	242120M1 C-R	473367	2431525 GMC	415995!
24015204 TROS		44053	24137 UNIVE	471554!	242133X09.5C TROS	8610	2431526 GMC	415995!
24015206 TROS		472070	24140 Y-T	415196!	242134X08 TROS	8610	24316 C-R	474254
24015211.25 TROS		472070	24150 MICH	471567!	2422854 GMC	417355!	2431667 GMC	471267!
24015408 TROS		473451!	24150 UNIVE	471567!	2422854 GMC	485497	24316M1 C-R	474254
24015408 TROS		473462!	24151-73B00 SUZUK	222030	2422855 GMC	417355!	24318 C-R	471818
24015408 TROS		473462!	241543 AVCO	204020	2422855 GMC	485497	243190 BRCWY	370036A
24015608 TROS		472439	241543 AVCO	204505!	2422856 GMC	5453\$	2431D5 WHITE	417316!
24015612 TROS		473464	24156 UNIVE	450340	2422859 GMC	417480!	24320 C-R	413478
24015612.5 TROS		472439	2416276 GMC	5473	2422869 GMC	40769S	24321 C-R	62X80X10V
24016009 TROS		5121	24169 DAVEY	418028	2422922 GMC	50631	24322 C-R	413478
240164 CLARK		472636	24169 DAVEY	455137!	2423396 GMC	416271!	24322 CONTI	473458!
240178 KOHL		415995!	2416949 GMC	416282	24255 C-R	471887	24323 C-R	413478
2401857 GMC		413248	2416950 GMC	416282	24255 GARLK	416556!	24325 C-R	413478*
24020004 TROS		40410S	241706 FULLE	417484	24255 GARLK	472157	24328 C-R	413478
24020008 TROS		471424!	2417294 GMC	473215!	24258 C-R	412040	2432D GOODM	415995!
240211 RELEE		471264!	2417295 GMC	471765!	24260 C-R	412040	24333 C-R	450104
24021604 TROS		341022	2417296 GMC	5751	2426024 GMC	417210!	24334 C-R	450104
24027015A HARWA		240X270X15	2417297 GMC	5751	2426026 GMC	417210!	24335 EATON	473235!
240288 ALLCH		470625!	2417302 GMC	416167!	24261 C-R	412040	243354SA TRSCM	411245
24035 GARLK		417356!	2417303 GMC	416167!	24263 C-R	412040	2433567 GMC	100495
2403627 GMC		442380	2417306 GMC	6649	24270 C-R	412040	2433567 GMC	417349
2403628 GMC		442380	2417308 GMC	6872S	24278 C-R	412040	243363VAY TRSCM	3210
2403665 GMC		40769S	2417311 GMC	415317	24281 C-R	411500	2433650 GMC	415458!
240398 SPG		471267!	2417312 GMC	417316=	2428573 GMC	HU042A	2433651 GMC	415458!
240400 NATL		6703S	2417316 GMC	410308!	24286 C-R	411500	2433667 GMC	470898
2404052 CHRYS		484058	2417317 GMC	410308	242860 ALLCH	415371	24340 C-R	450104*
2404121 CHRYS		8515N	2417318 GMC	415234!	24287 C-R	411500	2434156 GMC	470898!
2404134 CHRYS		473235	2417319 GMC	415234	2429131 GMC	471787!	24345 C-R	450104
2404135 CHRYS		7216	2417330 GMC	415960	2429141 GMC	471538!	2434696 GMC	412119
2404215 CHRYS		8695S	2417331 GMC	415960	2429241 GMC	476574N	2434707 GMC	480574H
2404216 CHRYS		8704S	2417332 GMC	472636!	24294 C-R	411500	2434D GOODM	417487
240480 NATL		6597S	2417333 GMC	472636!	24295 C-R	411500=	2434OS JN-MN	450765!
240495 NATL		343185	2417334 GMC	417487!	24297 GARLK	416891!	24355 C-R	411245!
240495 WMG		343185	2417334 GMC	417487	24299 C-R	411500	24356 C-R	411245!
2405328 GMC		240733	2417336 GMC	410825=	242B120 C-R	473367	2435738 GMC	416167!
24055 GARLK		417357	2417337 GMC	410825	242BM120 C-R	473367	2435738 MOHWK	416167!
2405935 GMC		3592	2417340 GMC	5403	242GG120 C-R	473367	2435739 GMC	480630!
24075 CANAD		416041	2417342 GMC	5405	242GG120 C-R	473367!	2435740 GMC	410496!
24075 GARLK		416130!	2417343 GMC	471766!	242H120 C-R	473367	2435E GOODM	417488!
2407876 GMC		415449!	2417344 GMC	471766!	242H120 C-R	473367!	2436463 GMC	6808N
2407877 GMC		415995!	2417345 GMC	7006S	24300 C-R	411500=	243649 BRCWY	415137!
240840 NATL		6597S	24174 DAVEY	473231!	24302 C-R	413478	243649 BRCWY	418028
24085 LAU		471570!	24175 DAVEY	470530!	24302 GARLK	416135!	2436547 GMC	415995!
2408OS JN-MN		417491*	24175 MICH	471684!	2430D GOODM	417349	243663 BRCWY	411253!
240912 HYST		415138!	24175 UNIVE	471684!	2430OS JN-MN	417541*	2436953 GMC	417316!
240913 HYST		417362!	24176 VICK	240731	24311 C-R	411500*	24370 C-R	411245!
24095 LAU		410102	2417701 GMC	370181A	243112 C-R	470950	243707A HARWA	24X37X8
24097 C-R		5698	2417702 GMC	370021A	243112 C-R	6241S	24371 C-R	411245!
240A14404 TROS		473235!	2417779 GMC	470565!	243112M1 C-R	470950!	24372 C-R	411245*=
240A14812 TROS		472185!	2417780 GMC	416654!	243112M1 C-R	6241S	2437999 GMC	415995!
240A16004 TROS		472319	2417781 GMC	456618	243113 C-R	50254=	2438255 GMC	417316!
240A20004C TROS		4148	24177902 ALLCH	471192	243114 C-R	474264	2438877 GMC	7866S
240A20004C TROS		471424!	2417791 ALLCH	471192	243114 GR-DV	474264	2438878 GMC	7866S
240B15603.5 TROS		6985	241790 ALLCH	472179	243114M1 C-R	474264	2438OS JN-MN	416345!
240C15606 TROS		472439	24182 UNIVE	450033	243115 C-R	473439!	2438OS JN-MN	455033

! Industrial Size/Type * Minor Width Difference \$F-M Number Is Part Of A Kit
 = The U.S. customer service number is 877-4-TIMKEN. The Canadian customer service numbers are 800-565-4927 (English) and 800-565-0438 (French-Canadian).

NUMERICAL INTERCHANGE

Mfr. No.	Name	Zero Duplication or Recommended Industrial	Mfr. No.	Name	Zero Duplication or Recommended Industrial	Mfr. No.	Name	Zero Duplication or Recommended Industrial	Mfr. No.	Name	Zero Duplication or Recommended Industrial
2439186	GMC	473242	2444414	GMC	HU066A	245472	BRCWY	472636!	24678	C-R	62X100X7*
2439188	GMC	5361=	2444415	GMC	HU009A	2455043	GMC	HU110A	24679	C-R	62X100X7*
24396	C-R	411245!	24445	C-R	417073	2455044	GMC	733067	24679	C-R	62X100X8*
24397	C-R	411245!	24448	C-R	417073	2455045	GMC	370007A	2467929	GMC	415995!
243B120	C-R	473367	2444860	GMC	733067	2455047	GMC	417505	2467929	GMC	415995!
243BB120-L	C-R	473367	2444861	GMC	370036A	2455092	GMC	370012A	24680	LIGET	203034
243BB120-L	C-R	473367!	2444861	GMC	370349A	2455093	GMC	730016	2468537	GMC	415458
243BM112	C-R	473367	24449	C-R	417073	2455130	GMC	413246	2468T2	WHITE	415449!
243F114	C-R	474264	2445-6623	HINO	710371	2455143	GMC	412119	24692603	ALLCH	472258
243HMS120	C-R	473367	2445-6624	HINO	710371	2455151	GMC	472636!	2469341	GMC	6808N
243T120	C-R	473367	244530	GMC	415001!	2455943	GMC	418028	2469545	GMC	473228
243W112	C-R	470950	244531	ACF	40468	24566	LAU	50209	246991	GMC	415458
243W112	C-R	6241S	244531	GMC	40468	2456738	GMC	370005A	246A11607.5	TROS	450341
243W112-M1	C-R	470950	24455	GARLK	416888!	2456739	GMC	370005A	246A14806	TROS	200354
243W112-M1	C-R	6241S	24459	C-R	3210	2456752	GMC	370021A	246A15607.5	TROS	7107A=
243W114	C-R	474264	244631	SPICE	470898	24573976	GMC	40375	246A20606	TROS	6590S
243W114-M1	C-R	474264	2446372	GMC	470954!	2457433	GMC	370019A	246B12407.5	TROS	450456!
243W118	C-R	471821!	2446691	GMC	415458	2457RC	SUL	416345!	246B14804	TROS	204038
243W118-M1	C-R	471821!	2446748	GMC	471787!	2457RC	SUL	455033	246C14806	TROS	200354
243W120	C-R	473367!	2446RC	SUL	416107!	2458346	GMC	472636!	246C14806.5	TROS	203002
243W120	C-R	473367	2446RC	SUL	455073	2459229	GMC	471539!	246D15603.75	TROS	7107A=
243W120-M1	C-R	473367	24472709	SIMRT	370220A	245964	ACF	473447	24708	VICK	450639
243W120-M1	C-R	473367!	24473	C-R	8636=	245A15808.25	TROS	9449	2470LPD	JN-MN	412027
243W375	CONE	5520	24475	GARLK	416153!	245G114	C-R	474264	2470OS	JN-MN	412027
243WL112	C-R	470950!	24476	VICK	450313	245G120	C-R	473367	24710	C-R	63X78X8
243WL112	C-R	6241S	2447666	GMC	472164!	245G120	C-R	473367!	247100	ALLCH	200118=
243WL114	C-R	474264	2447696	GMC	100495	245HMS120	C-R	473367	247165	ALLCH	473452
243Z120	C-R	473367	2447696	GMC	417349	245HMS120	C-R	473367!	247167	ALLCH	473452
243Z120	C-R	473367!	2447861	GMC	417349!	24607	FI-CO	450604	2471OS	JN-MN	455151
2440720	GMC	6638S	2447RC	SUL	471750!	2461313	GMC	415854	247224	ACF	472164!
2440721	GMC	6638S	2448142	GMC	7188S	24613408	TROS	8940S	247224	GMC	472164!
2440722	GMC	6638S	2448159	GMC	353135	2461368	GMC	471887	2472290	GMC	415458
24408	C-R	417073	2448159	GMC	474278!	24614	CONTI	451583!	2472341	GMC	5957S
2440D	GOODM	455019!	24482	C-R	55346	24614804	TROS	323119	24725	C-R	63X80X8
244112	C-R	471276	244888	ALLCH	470687	2461RC	SUL	415076	24734	VERSA	370119A
244116	C-R	471344	2448882	ALLCH	470687	24620	C-R	62X80X10	2473RC	SUL	417491
244124	C-R	471504!	2448RC	SUL	417344!	24620	C-R	62X80X9!	2474278E50	SUZUK	1981
24412408	TROS	450776!	244961	ALLCH	473215!	2462289	GMC	471271!	247548	ALLCH	470530=
244124M1	C-R	471504!	24496101	ALLCH	473215!	24625	GARLK	415138!	24755	C-R	63X85X10
24412804	TROS	471862	24498	GARLK	416892!	24626	C-R	62X80X10	24758	C-R	63X85X10
24412808	TROS	471862	2449RC	SUL	471765!	24629	C-R	62X82X8	2475900	IVECO	713094
24413208	TROS	470487!	244B16008C	TROS	473459	2462993	GMC	415458!	24761	JOHND	476838!
244132X08	TROS	470487!	244W120	C-R	473367	24630	C-R	350942	2476620	GMC	410737!
244135X08	TROS	8695S	244W120	C-R	473367!	2463199	GMC	415983N!	247667	HYST	JV1944=
24413604	TROS	471316	2450	C-R	343104	24635	C-R	226285	24767	LAU	471649!
24413606	TROS	471316	245040	BRCWY	416654!	24635	C-R	62X85X8!	2476973	GMC	415447
24413609	TROS	6336S	24504098	GMC	473241	24638	C-R	226285*	24770	C-R	63X88X8
24414408	TROS	474265	2451326	GMC	472560N!	24638	C-R	62X85X8*	24772-61A00	SUZUK	473823
24414608	TROS	50075=	24516	EATON	473016!	24640	C-R	226285*	2477708	GMC	370001A
24414808	TROS	470334!	2451769	GMC	473243=	24640	C-R	62X85X8*	2477867	RFT	713140
24415008	TROS	450269	245187	BRCWY	416654	2464131	GMC	471413	24780-79001	SUZUK	710347
24415208	TROS	471866!	2453129	CHRYSLER	484054	24642	C-R	226285	24780-79001	VILA	710347
24416	C-R	474256	2453130	CHRYSLER	291295	2464259	GMC	417316!	24780-83010	SUZUK	223215
24416008	TROS	473459	2453131	CHRYSLER	7537S	2464492	CHRYSLER	9487	2478083000	SUZUK	223215
24416208	TROS	450472!	2453133	CHRYSLER	8293S	24645	GARLK	417247!	2478362	GMC	471141!
244169	ALLCH	473010	2453134	CHRYSLER	8610	2464528	GMC	417211!	2478368	GMC	471466!
24416M1	C-R	474256	2453135	CHRYSLER	8168=	2464660	GMC	415995!	24785	C-R	1935*
24420006C	TROS	7751H	2453136	CHRYSLER	472070	2464660	GMC	415995!	2478619	IVECO	713143
24420008	TROS	471870!	2453137	CHRYSLER	473317	24649	C-R	62X88X8	247868	ALLCH	411978N=
244210A	HARWA	24X42X8	2453138	CHRYSLER	7686S	24650	C-R	50560	24786802	ALLCH	411978N=
2442177	GMC	6270	2453139	CHRYSLER	6952S=	246564	ALLCH	416292	24788	C-R	63X90X10
2442178	GMC	6270	2453140	CHRYSLER	340356	24656403	ALLCH	416292	247893	VICK	472560N
2442179	GMC	6270	2453142	CHRYSLER	472572!	24659	C-R	62X90X10	247A14708.25	TROS	5836
2442180	GMC	5401	2453143	CHRYSLER	473452	2465S	SPG	2465	247A15108.25	TROS	6781
2442181	GMC	7512S=	2453144	CHRYSLER	6855N=	2465SS8	SPG	2465	247FF124	AT-PL	6489
24429	DAVEY	416921!	2453145	CHRYSLER	470774!	2466057	GMC	417134	24800	C-R	1935
2442911	GMC	415995!	2453146	CHRYSLER	205017	24661	C-R	62X90X10	24800	LISLE	CQ2000=
2442912	GMC	415995!	2453147	CHRYSLER	40769S	24662	C-R	62X90X10!	24800	LISLE	RD2000
2442946	GMC	471267!	2453952	GMC	6638S	2466842	CHRYSLER	471539	2480035	GMC	452742
2443570	GMC	417316!	245396	BRCWY	475348N	24670	C-R	6575S	2480RC	SUL	472636!
244415	GMC	HU009A	2454230	GMC	473242	2467131	GMC	473228!	24813208	TROS	473440!
2444160	GMC	442380	245443	BRCWY	5M466	24676	HYST	470605!	24814004	TROS	40286

! Industrial Size/Type *Minor Width Difference

= The U.S. customer service number is 877-4-TIMKEN. The Canadian customer service numbers are 800-565-4927 (English) and 800-565-0438 (French-Canadian).

Mfr. No.	Name	Zero Duplication or Recommended Industrial	Mfr. No.	Name	Zero Duplication or Recommended Industrial	Mfr. No.	Name	Zero Duplication or Recommended Industrial	Mfr. No.	Name	Zero Duplication or Recommended Industrial
24814008	TROS	474274	24906	C-R	.7018N=	24977	C-R	415449!	24C55150	FWD	415150!
24814408	TROS	473236!	24907	C-R	.471271!	24978	C-R	415449!	24C55177	FWD	415379
24814804	TROS	472179	24908	C-R	.471271!	24979	C-R	415449!	24C55177	FWD	415379!
24814807.75	TROS	472179	24909	C-R	.471271!	24980	C-R	415449!	24C55195	FWD	472157!
24814808	TROS	472179	24910	C-R	.471271!	24982	C-R	415449!	24C55195	FWD	472157
24814810	TROS	472179	24911	C-R	.471271!	2498220	GMC	370048A	24C55196	FWD	415196!
24814811.25	TROS	472179	249122	C-R	.473234!	2498220	GMC	380048A	24C55203	FWD	455203
24814812	TROS	472179	249124	C-R	.472164!	24984	C-R	3894V	24C55271	FWD	415725!
24815008	TROS	450285	249124M1	C-R	.472164!	24984	C-R	415449!	24C55272	FWD	416706!
24815208	TROS	473449	24913	C-R	.471271	24986	C-R	415449!	24C55281	FWD	417349
24815307.75	TROS	7600S	24914	C-R	.471271	24988	C-R	415449! *	24C55305	FWD	415991
24815408C	TROS	473452	24916	C-R	.471271	24988	C-R	415449 *	24C55305	FWD	455146!
24815604	TROS	42421S	24917	C-R	.4250	24989	C-R	415449	24C55315	FWD	415984!
24815608	TROS	472572!	2491RC	SUL	.416654!	2498OS	JN-MN	417262!	24C55355	FWD	417158!
2481RC	SUL	418028	2492	TEKNI	.471538!	24990	C-R	415449!	24C55364	FWD	416664!
2481RC	SUL	455137!	24920	C-R	.6785	24991	C-R	3894V	24SR100	IG-RA	471192
24820004	TROS	40389S	2492115	GMC	.730003	24999	C-R	415449!	24X35688A	JOHND	455253
24820006	TROS	8804S=	2492116	GMC	.HU036A	2499919	GMC	472636!	24X35X7SC	TRSCM	222410
24820008	TROS	472492!	24923	C-R	.4250	2499LPD	JN-MN	415683	24X35X7SC	TRSCM	24X35X7!
24820604	TROS	41013S	24924	C-R	.410496!	2499LUP	JN-MN	415683	24X35X7TC	TRSCM	24X35X7
2482279	GMC	415483	24925	C-R	.410496!	249A-007	BENDI	480630	24X37X7	NATL	24X37X8
248373	ALLCH	6222	24926	C-R	.410496!	249A16008C	TROS	2043	24X37X7	SIMRT	24X37X8
248374	ALLCH	471344	24928	C-R	.410496!	249C116	C-R	473228	24X37X7SC	TRSCM	24X37X7
248426	ALLCH	204038	24929	C-R	.40496S=	249M128-L	C-R	473454	24X37X7TC	TRSCM	24X37X7
24842601	ALLCH	204038	2492952	GMC	.415991	24A103	FWD	471765!	24X38X7SC	TRSCM	24X38X7
2484551	GMC	471466!	2492952	GMC	.415991!	24A108	FWD	473228	24X38X7TC	TRSCM	24X38X7
2484560	GMC	472397!	2492RC	SUL	.417621!	24A110	FWD	473232	24X40X7	NATL	1990
2484561	GMC	472397!	24930	C-R	.410496!	24A214	FWD	417158!	24X40X7SC	TRSCM	24X40X7!
2485	F-R-H	415041	2493047	GMC	.415995!	24B275112	FWD	450463	24X40X7TC	TRSCM	24X40X7!
248542	VICK	240356	24931	C-R	.410496!	24B275122	FWD	473236!	24X42X10SC	TRSCM	24X42X10
24860	C-R	40555	24932	C-R	.410496! *	24C50099	FWD	411253!	24X42X10TC	TRSCM	24X42X10
24860	C-R	40555S!	24933	C-R	.410496! *	24C50115S	FWD	473467!	24X42X7	ISP	24X42X7
24863	C-R	40555	24934	C-R	.470605 *	24C50117	FWD	472572!	24X42X8	SIMRT	24X42X8
24863	C-R	40555S!	24935	C-R	.410496! *	24C50120	FWD	471224!	24X46X7SC	TRSCM	24X46X7
248630	HYST	472015!	24937	C-R	.410496!	24C50136	FWD	470625!	24X46X7TC	TRSCM	24X46X7
24865	C-R	710027	24938	C-R	.410496!	24C50204	FWD	471231!	24X47X7SC	TRSCM	24X47X7
24868	C-R	39803	24939	C-R	.470605!	24C50219	FWD	471649!	24X47X7TC	TRSCM	24X47X7
24875	C-R	43290S	2493RC	SUL	.472636!	24C50301	FWD	472397!	24X52X7SC	TRSCM	24X52X7
24879	C-R	473476	24940	C-R	.470605!	24C50315	FWD	473245!	24X52X7TC	TRSCM	24X52X7
2487938	GMC	471689!	24941	C-R	.470605=	24C50316	FWD	472636!	25-1358	TW-CO	471689!
24880	C-R	40337S	24942	C-R	.470605!	24C50320	FWD	473475	25001	CONTI	471267!
24881	C-R	472029	24943	C-R	.470605!	24C50332	FWD	450332	25001-2813	GARLK	415064
24882	C-R	472029	24945	C-R	.470605!	24C50350	FWD	413247!	25004	SPG	417316!
24883	C-R	472029=	24946	C-R	.470605!	24C50352	FWD	472164!	25005	C-R	4624V
24886	C-R	3942	24947	C-R	.470605!	24C50360	FWD	471870!	25005	HK-SY	415960!
24888	C-R	5109 *	24948	C-R	.470605!	24C50365	FWD	470898!	25007	C-R	444042!
2488828	GMC	415483	24949	C-R	.473274	24C50394	FWD	473227	25008H	IH	5MR71
2488829	GMC	415483	24951	C-R	.473274	24C50405	FWD	50405	25008HB	IH	5MR71
24889	C-R	410752	24954	C-R	.470605!	24C50480	FWD	323138!	25011	C-R	415449!
24894	C-R	410752	24955	C-R	.470605!	24C50520	FWD	471272!	25011	SPG	416921!
24895	C-R	471271!	24957	C-R	.415449!	24C50756	FWD	472394	250112	C-R	471835!
24896	C-R	471271!	24958	C-R	.415449!	24C50779K	FWD	473238!	250114	C-R	473226
24897	C-R	471271!	24959	C-R	.415449!	24C55004	FWD	417316!	250116	ALLCH	473228
24898	C-R	471271!	2495OS	JN-MN	.415725! *	24C55013	FWD	415995!	250116	C-R	473228
24899	C-R	471271	2495RC	SUL	.416654!	24C55018	FWD	476470	250116	JA-MI	473228
248A13208	TROS	474281!	24960	C-R	.415449!	24C55021	FWD	415021	250116	JAE	473228
248A13808	TROS	450274	24964	C-R	.4561V	24C55023	FWD	415023	250116M1	C-R	473228
248A14808	TROS	473447	2496482	GMC	.415995!	24C55026	FWD	455026	250118	C-R	473229
248A15607C	TROS	473179	2496482	GMC	.415995!	24C55027	FWD	415027	250118	GOODM	473229
248A15608	TROS	473179!	24965	C-R	.415449!	24C55027	FWD	415027!	250118M1	C-R	473229
248A15610.5	TROS	473179!	2496560	GMC	.415458	24C55029	FWD	416125!	250119	C-R	482253
248B20005	TROS	5113	2496561	GMC	.415483	24C55035	FWD	415035	250119	CLARK	482253
248B20005	TROS	.7721!	2496562	GMC	.415458	24C55035	FWD	415035!	25012	CLIN	472258
248C20006	TROS	331107N	24967	C-R	.415449! *	24C55088K	FWD	415088!	250120	C-R	473010
248GG116-L	C-R	473228	24969	C-R	.415449!	24C55088K	FWD	415088	250120	GOODM	473010
248W116	C-R	473228	24970	C-R	.415449!	24C55093	FWD	411376!	250120	JEFF	473010
248Z116	C-R	473228	24971	C-R	.415449!	24C55114K	FWD	455584	250120K	GOODM	473010
24900	C-R	471271!	24973	C-R	.415449!	24C55137	FWD	418028	250120M1	C-R	473010
24901	C-R	442380	24974	C-R	.415449	24C55137	FWD	455137!	250121	C-R	450260
24902	C-R	442380	24974	C-R	.415449=	24C55146	FWD	415991	250122	C-R	473234
24904	C-R	442380	24975	C-R	.415449!	24C55146	FWD	455146!	250122M1	C-R	473234
24905	C-R	471271!	24976	C-R	.415449!	24C55147	FWD	415449!	250124	AT-PL	472164!

! Industrial Size/Type * Minor Width Difference

= The U.S. customer service number is 877-4-TIMKEN. The Canadian customer service numbers are 800-565-4927 (English) and 800-565-0438 (French-Canadian).

NUMERICAL INTERCHANGE

Zero Duplication or Recommended Industrial		Zero Duplication or Recommended Industrial		Zero Duplication or Recommended Industrial		Zero Duplication or Recommended Industrial		
Mfr. No.	Name	Mfr. No.	Name	Mfr. No.	Name	Mfr. No.	Name	
250124	C-R	472164!	250849 ALLCH	JV1582=	25150 MICH	481568!	253099 NATL	473099
250124M1	C-R	472164!	250857 ALLCH	200851	25150 UNIVE	481568!*	2531 CHRY	471750!
250130	C-R	471195!	25088 C-R	455079!	2515119 CHRY	410737!	2531 TORO	450545
25013S	SPG	415995!	25089 C-R	455079!	251511SS0 SPG	251511	25310 GARLK	471262!
25014808	TROS	200600	2508931 CHRY	343185	2515187 CHRY	415483	25310 TORO	471733
25016	C-R	415449!	2508969 CHRY	415458	25156 SPG	417621!	253100 TORO	204035
25016	CONTI	471267!	250907R91 IH	476470	25150S JN-MN	412119!	253109 TORO	417485
250187R91	IH	472924!	250907R91 IH	476470!	25160 C-R	5401	25312 TORO	415449!
2501CS	CASE	450415	25091 C-R	455079!*	25162 MICH	481644	253122 TORO	471643!
2502	C-R	352541	25093 C-R	455079!	25162 SPG	417181!	25312VH TRSCM	43290S
25020	C-R	415449!	25094 C-R	455079!	25162 UNIVE	481644	25313TB TRSCM	472029
25021	C-R	415449!	250A-116 BUC-E	473228!	25169 STAR	240735	25315 TORO	471554!
25022	C-R	415449!	250A15609.5 TROS	414045!	25171 C-R	226480	25318 TORO	415449!
250220	ALLCH	470625!	250C116 C-R	473228	25175 MICH	471337	25319 TORO	473215!
250221	ALLCH	470059	250CP120-M1 C-R	473010	25175 UNIVE	471337	2531A DURA	471750!
250221	ALLCH	470380!	250L116 C-R	473228	251756 ALLCH	473445	2532 ALOY	6489
250222	ALLCH	473016!	250W112 C-R	471835!	25176 C-R	710130	25321 TORO	471141!
250225	ALLCH	472070	250W112-M1 C-R	471835!	25182 UNIVE	474273	25322 TORO	415449!
25024	C-R	415449!	250W116 C-R	473228	25183 MICH	474273	25322VB TRSCM	442380
25025	C-R	415449!	250W116-M1 C-R	473228	25185 C-R	64X80X8!	25323 TORO	50419
25028	C-R	8975S	250W118 C-R	473229	251862 ALLCH	471341!	25323TB TRSCM	471271!
25028015A	HARWA	250X280X15	250W118-M1 C-R	473229	25190 C-R	710277	25324 TORO	471820
25030	GARLK	415725!	250W120 C-R	473010	25196 C-R	710256	253248 ALLCH	473463
25033	C-R	415001!	250W120-M1 C-R	473010	251G124 C-R	472164!	25324SA TRSCM	471271
25035	C-R	415001!	250W122 C-R	473234	2520 MID	471689!	25324TA TRSCM	471271
25036	C-R	415001!	250W122-M1 C-R	473234	2520 MID-R	471689!	25325 TORO	416664!
25038	C-R	415001!	250W124 C-R	472164!	2520124 CLARK	710015	253265 ALLCH	473367!
25042	C-R	415001!*	250X280X15 FORSH	250X280X15	252050C91 IH	471413!	253265 ALLCH	473367
25043	C-R	415001!*	250X280X15 SIMRT	250X280X15	252051C91 IH	473231!	25327 TORO	472070
250437VD	SPG	250437V	251-407-629 VW	65X80X8	252051C92 IH	473231!	25328 TORO	471442!
25044	C-R	415001!	251-407-641A VW	225500	2520742 BENDI	340210	25329 TORO	471442!
25045	C-R	415001!	2510 C-R	350435	252081R91 IH	417316!	253297 ALLCH	40438S
25046	C-R	415001!	25100 C-R	415082*	252097R91 IH	417967!	2533 ALOY	8430S
25047	C-R	415001!	25102 C-R	415082	252098R91 IH	455191	2533 TORO	471787!
250472	DIA	472636!	25102 CONTI	471539!	2521 MID	471649!	25330 TORO	410308!
25050	HYST	473225	25104 C-R	415082	2521 MID-R	471649!	25331 SPG	417191
25054	C-R	415001!	25105 C-R	415082	252117 ALLCH	415379!	25331 TORO	470059
25058	C-R	415001!	25106 C-R	415082	252117 ALLCH	415379	25331 TORO	470380!
250580	ALLCH	472397!	25108 C-R	455655!	25214 HARRI	472299	25332 TORO	471554!
25059	C-R	415001!	2511 C-R	350435	252148X09.5C TROS	8460N	253341 ALLCH	471571
2505S	SPG	2505	2511035 WOOL	415711	25215 HARRI	471270!	253354SA TRSCM	410496
2505V	SPG	2505V	25111 C-R	455655!	252153 ALLCH	417316!	253358 ALLCH	416919
25060	C-R	415001=	25111 SPG	416229	252154 ALLCH	411376!	25336 TORO	471649!
25060	EUROS	120X150X12	25112 C-R	455655!	25215608 TROS	5126	25338 TORO	471224!
250605	ALLCH	415960!	251124L C-R	473234	2521RC SUL	471766!	253382 ALLCH	417316!
250618	ALLCH	414268=	251128L C-R	473454	252253 SPERY	455134!	253388 ALLCH	416892!
250646C91	IH	42101S	25113 C-R	455655=	252277 ACF	470059	2533D GOODM	417621!
25065	C-R	415001	25113 C-R	455655	252277 ACF	470380!	2534 ALOY	4148
250653R91	IH	471689!	2511337 CHRY	6872S	25227763 GR-RP	411178=	2534 TORO	416664!
250659R91	IH	470712!	25114 C-R	355732	2522RC SUL	415035	253403 ALLCH	476470
25067	C-R	416273	25116 C-R	470059	2522RC SUL	415035!	253413 ALLCH	470687
25068	C-R	416273!	25116 C-R	470380	2523BG SPG	472016	25343 TORO	471224
250689CA	SPG	1126	251191 ALLCH	471765!	2523RC SUL	416339	25343TB TRSCM	473274
25069	C-R	416273!	2512 C-R	350435	2523RC SUL	455031!	25344 TORO	471413
2506925	CHRY	415449!	2512254 CHRY	6808N	252464 GMC	5070	253441 ALLCH	472179
25070	C-R	416273	251232 ALLCH	450273	252491 ALLCH	473475	25345 TORO	42352S
25071	C-R	416273!	2512332 CHRY	415983N!	2524RC SUL	472924!	25347 TORO	471344
25072	C-R	416273	2512BRGE SABO	712512	2525063 CHRY	41257!	25348 TORO	473448
25072	SPG	415072	25130 GARLK	417278	252602 ALLCH	471224!	2535 ALOY	3195
25072S	WABCO	415072	25132 STANT	35001	252612 ALLCH	471192	25350 C-R	415082
25073	C-R	416273!	2513602 CHRY	370086A	252649 ALLCH	472287!	25350 GARLK	417358
25074	C-R	416273	25137 UNIVE	481443!*	252707R1 NAVST	414	253502VAY TRSCM	8975S
25075	C-R	416273	251378R91 IH	417350!	252815 ALLCH	472179	253504SSB TRSCM	415449
25077	C-R	416273	251379R91 IH	450313	252825 ALLCH	472636!	253515 ALLCH	471271!
25078	C-R	200851	2514 C-R	350435	252835R91 IH	471785!	25352 TORO	471870!
25080	GARLK	416865!	25140 C-R	4525V	252849 ALLCH	472258!	25352VH TRSCM	444042!
250801	ALLCH	472258!	251449R91 IH	474279N	252882R91 IH	415449!	25353 TORO	474254
25082	C-R	415449*	25146 C-R	3136N	252903 ALLCH	474253!	25354 TORO	474256
250832	ALLCH	415035	25146 SPG	415146!	2530 C-R	240435*	253541 ALLCH	472185!
250832	ALLCH	415035!	25146 SPG	415991	25305 NATL	415991	253544SA TRSCM	415001
250833	ALLCH	473228	25147S SPG	415449!	25305 NATL	415991!	253545TA TRSCM	415001!
250834	ALLCH	473245=	25140S JN-MN	416292	253052 ALLCH	416271!	25354SA TRSCM	415449

! Industrial Size/Type *Minor Width Difference

= The U.S. customer service number is 877-4-TIMKEN. The Canadian customer service numbers are 800-565-4927 (English) and 800-565-0438 (French-Canadian).

OIL SEALS

25354TA – 258511F

Mfr. No.	Name	Zero Duplication or Recommended Industrial	Mfr. No.	Name	Zero Duplication or Recommended Industrial	Mfr. No.	Name	Zero Duplication or Recommended Industrial	Mfr. No.	Name	Zero Duplication or Recommended Industrial
25354TA	TRSCM	415449	25431	C-R	65X90X10V	25614007.5	TROS	473444	25748	C-R	455280
253579	ALLCH	416273	25433	C-R	65X88X10	25614407.5	TROS	473446	25750	C-R	455280*
2536	ALOY	3227	25434	C-R	226530*	25614804	TROS	471141!	25755	C-R	455280
2536	TORO	471750!	25434	C-R	65X90X10!*	25614807.5	TROS	471141!	257739R91	IH	481073
25360	TORO	200354	25435	C-R	65X95X8	25614808	TROS	471141!	25784	ALLCH	415041
253632	ALLCH	473243	25436	C-R	65X95X7	25615208	TROS	473450	25790301	ALLCH	471267!
2536480	CHRY5	3095	25436	C-R	65X95X8*	25615604	TROS	473238!	257920R91	IH	415034!
2536481	CHRY5	3103!	25430S	JN-MN	417504*	25615607.5	TROS	473238	257970R91	IH	415034!
25364SA	TRSCM	416273!	25440	C-R	65X100X10	25615608	TROS	473238!	2580	C-R	240435*
25364SA	TRSCM	416273!	25440	C-R	65X100X7	25615608.5	TROS	2689S	258019	RELEE	417556
2536694	CHRY5	3103!	25441	C-R	65X100X10V	25616007.5	TROS	472144!	25809D	IH	473427
253691	ALLCH	472636!	25442	C-R	65X100X10!	25617	VICK	472015!	258120	HYST	7512SSO
2536D	GOODM	417172	25443	C-R	65X100X10!*	256192	BRCWY	472397!	258121C91	IH	415035
2536T2	DIA	470898!	25446	C-R	65X100X10V	256199	BRCWY	415449!	25814808	TROS	471141!
2536T2	WHITE	470898	25450	C-R	65X105X8*	2562	C-R	50514	25850	GARLK	471362!
2537	ALOY	8622	25450	GARLK	417359	25620	C-R	415302	258511A	WALKE	472185!
2537	TORO	471765!	25455	C-R	65X110X8*	25620	GARLK	417254	258511A	Y-T	472185!
25370	TORO	340797	254632	SPICE	471272!	25620007.5	TROS	417487	258511AA	WALKE	413469!
253701	ALLCH	471692!	2546357	CLARK	415425	25620008	TROS	472924!	258511AB	WALKE	417501
2537153	CHRY5	474278!	254635C91	IH	473231!	25620408	TROS	451948	258511AB	Y-T	417501
2537153	CHRY5	6859S	25465	C-R	65X120X8	2562047	CHRY5	HU009A	258511AC	WALKE	415991
25374SA	TRSCM	455079!	254662C91	IH	473231!	25620804	TROS	40566S	258511AC	WALKE	455146!
253752CA	SPG	1984	254670	ALLCH	471787!	25620805	TROS	470898!	258511AD	Y-T	473010!
2537689	CHRY5	471466!	254882	ALLCH	472439	25620806C	TROS	470898!	258511AH	Y-T	473179!
2537899	CHRY5	7013S	25488202	ALLCH	472439	25620807	TROS	470898	258511AK	EATON	471103!
253792	ALLCH	55141	254883	ALLCH	416404!	25620807.5	TROS	470898	258511AK	WALKE	471103!
2538	ALOY	203025	25492	LAU	470954!	25620810	TROS	470898	258511AK	Y-T	471103!
2538	TORO	415449!	2549RC	SUL	417513	25620811	TROS	470898	258511AM	Y-T	470625!
25384SA	TRSCM	455280	254A14407.5	TROS	470596	256210A	HARWA	25X62X10	258511AO	Y-T	470898
2538557	CHRY5	473234!	2550	C-R	240435	25625	C-R	415302	258511AQ	Y-T	415551
2539	ALOY	473677	2550106	CHRY5	370001A	256258	BRCWY	473215!	258511AR	Y-T	476838!
2539	TORO	451583!	25514	C-R	65X80X8V	256273	BRCWY	450593!	258511AW	Y-T	455134!
25391	TORO	415088	25515	C-R	5123	25630	C-R	455311	258511B	WALKE	410102
25391	TORO	415088!	25518	C-R	226510	256302SP	TRSCM	5123	258511B	Y-T	410102
25393TB	TRSCM	476514	25519058	GMC	473241	256345TA	TRSCM	413479	258511BB	WALKE	415150!
25396	TORO	472560N!	2551RC	SUL	415988	25640	C-R	415988	258511BE	Y-T	50528
25400	GARLK	415645!	25522192	GM	427RR	25641	C-R	415988	258511BG	Y-T	352541
254002	SPERY	416043	25523327	GMC	473241	25649	C-R	415988	258511BH	EATON	455480!
254032-C91	IH	370120A	25524	MALL	471652	25650	GARLK	417360	258511BH	Y-T	455480!
2540D	GOODM	415021	2552584	CHRY5	370023A	25660	C-R	415988	258511BJ	Y-T	415371
25410	C-R	226515	255267R91	IH	415034!	25661	C-R	415988	258511BL	EATON	415074
25410	C-R	65X80X8	255281C91	IH	100495	2566OS	JN-MN	472157!	258511BL	Y-T	415074
2541245	WHITE	55539=	255281C91	IH	417349	2566OS	JN-MN	472157	258511BM	EATON	415938
25415	C-R	65X82X8	255282C91	IH	100495	256725R91	IH	470530!	258511BM	Y-T	415938
25416	C-R	226515	255282C91	IH	417349	256726R91	IH	412920!	258511BN	EATON	473231!
25416	C-R	65X80X8!	25531	US-EL	473214!	2567RC	SUL	471466!	258511BN	Y-T	473231!
2541730	CLARK	710010	25534760	GMC	320691	25680	GARLK	416107!	258511BR	Y-T	416556!
25418	C-R	710094	25544	BOSTN	471224!	2569	C-R	350435*	258511BR	Y-T	472157
25419	C-R	712005	25548	LAU	471267!	256909	ALLCH	473215* =	258511BT	EATON	473237!
25420	C-R	226520	255502	HYST	473228!	256938R91	IH	210914	258511BT	Y-T	473237!
25420	C-R	65X85X10!	25560	C-R	413479	25699	C-R	415988*	258511BV	EATON	415074
25420	C-R	65X85X8	25561	C-R	413479	256A20006.25	TROS	472082	258511BV	Y-T	455480!
25420407.25	TROS	5877	25569	C-R	413479	256A20008	TROS	472082	258511BY	EATON	417621!
25421	C-R	65X85X8V	25570	C-R	415988	256A20807	TROS	9599S	258511BY	Y-T	417621!
25421	C-R	710373	25576	C-R	415302	256B20007.5	TROS	472082	258511C	WALKE	416339
25422	C-R	226520	25577	C-R	415302	256D15206	TROS	473450!	258511C	WALKE	455031!
25422	C-R	65X85X10!	25587	C-R	415302	256E14808	TROS	471141	258511C	Y-T	416339
25424	C-R	710373	25589	C-R	415449!	2570	C-R	350435*	258511C	Y-T	455031!
254241R92	IH	473205!	2559054	CHRY5	370001A	2570T2	WHITE	471538!	258511CC	WALKE	417366!
25425	C-R	65X88X10	2559054	CHRY5	380001A	25710	C-R	9943	258511CC	Y-T	417366!
25425	C-R	65X88X8!	2559055	CHRY5	370023A	25710	GARLK	417361	258511D	WALKE	470059
25427	C-R	65X90X10V	2559304	CHRY5	370001A	25712	C-R	417481	258511D	WALKE	470380!
254270	NATL	254270	2559304	CHRY5	380001A	25713	C-R	417481	258511D	Y-T	470059
25427F	DIA	6597S	2559685	CHRY5	370023A	25714	C-R	415244!*	258511D	Y-T	470380!
25428	C-R	226530	2559689	CHRY5	370001A	25720804	TROS	42101S	258511DD	WALKE	417567
25428	C-R	65X90X10!	2559689	CHRY5	380001A	257209R91	IH	471564	258511DD	Y-T	417567
25429	C-R	226530	2560	C-R	240435	25721	C-R	417481	258511E	WALKE	451469
25429	C-R	65X90X10!	2561031	CHRY5	370023A	257215R91	IH	471766!	258511E	Y-T	451469
25420S	JN-MN	455480!*	256116	C-R	410190	257304R91	IH	471684!	258511EE	WALKE	473467!
25430	C-R	226530	256118	C-R	450143	257310R91	IH	470625!	258511EE	Y-T	473467!
25430	C-R	65X90X10!	256124	C-R	472193!	25745	C-R	455280	258511F	WALKE	415645!
25430	C-R	65X90X7*	256124M1	C-R	472193!	25747	C-R	455280	258511F	WALKE	455104

! Industrial Size/Type * Minor Width Difference

= The U.S. customer service number is 877-4-TIMKEN. The Canadian customer service numbers are 800-565-4927 (English) and 800-565-0438 (French-Canadian).

NUMERICAL INTERCHANGE

Zero Duplication or Recommended Industrial		Zero Duplication or Recommended Industrial		Zero Duplication or Recommended Industrial		Zero Duplication or Recommended Industrial					
Mfr. No.	Name	Mfr. No.	Name	Mfr. No.	Name	Mfr. No.	Name				
258511FF	WALKE	470950!	258511Y	Y-T	473234	25X52X7SC	TRSCM	25X52X7!	26057638	GMC	PSK-1
258511FF	WALKE	6241S	258511YY	WALKE	473215!	25X52X7SG	TRSCM	25X52X7!	2605RC	SUL	417211!
258511FF	Y-T	470950!	258511YY	Y-T	473010	25X52X7TC	TRSCM	25X52X7!	2606104	TREME	4528N
258511FF	Y-T	6241S	258511Z	WALKE	470088	25X52X8SC	TRSCM	25X52X8	26064028	GMC	710506
258511G	WALKE	474281!	258511Z	Y-T	470088	25X52X8TC	TRSCM	25X52X8	26064029	GMC	710507
258511G	Y-T	474281!	258511ZZ	WALKE	471424!	25X62X10	FORSH	25X62X10	26064030	GMC	710508
258511GG	WALKE	416444	258511ZZ	Y-T	471424!	25X62X10	SIMRT	25X62X10	260666	HYST	416892!
258511H	WALKE	417357	25890	GARLK	417363	25X62X10AS	ISP	222580	2607380	CLARK	4144V *=
258511H	WALKE	455192!	25897	WHITE	473215!	25X62X10SC	TRSCM	25X62X10	2607RC	SUL	471649!
258511H	Y-T	417357	258T2	WHITE	415449!	25X62X10TC	TRSCM	25X62X10	261-A5291	BENDI	471267!
258511H	Y-T	455192!	25907C	DIA	417134	25X62X7AS	ISP	25X62X7	261-A5292	BENDI	471564
258511HH	WALKE	417351!	25909	STAR	471737	26-68493	MERC	471272	26108	C-R	451143
258511HH	Y-T	417351!	25910	GARLK	416666	26-8272	B-L-H	415991	26110	C-R	451143
258511J	EATON	415351!	25914613.5	TROS	6098=	26-8272	B-L-H	455146!	2611035	WOOL	417474
258511J	WALKE	415351!	259147	ACF	410496!	26-97530	MERC	471570	261122	C-R	473235! *
258511J	Y-T	415351!	2592	C-R	240435 *	260004R91	IH	470354	26118	C-R	412871!
258511JJ	WALKE	473242	259220	RELEE	471567!	26001-5239	GARLK	471413	26120	C-R	412871!
258511JJ	Y-T	473242	25925	GARLK	417364	26001-6069	GARLK	8792S	26121	C-R	412871!
258511K	WALKE	411376!	25930	C-R	5957S	26001-6133	GARLK	254287	2612252	ALLCH	471737
258511K	Y-T	411376!	259323C91	IH	42101S	26001-6284	GARLK	341022	26123	C-R	412871!
258511KK	WALKE	471413!	25935	C-R	5957S	26001-6304	GARLK	310841	26124	C-R	412871!
258511KK	Y-T	471413!	2594	C-R	350435	26001-7007	GARLK	240470	26126	C-R	412871!
258511L	WALKE	472572!	259407PTBJ	TRSCM	712598	26001-7011	GARLK	342805	26128	C-R	412871 *
258511L	Y-T	472572!	25950	C-R	450725N=	26001-7012	GARLK	342805	26128	C-R	412871
258511LL	WALKE	474264	25951	C-R	411330!	26001-7013	GARLK	8792S	26130	C-R	412871!
258511LL	Y-T	474264	25956	C-R	411330!	26001-7020	GARLK	340387	2613075	DANA	6936S
258511M	WALKE	471224!	25960	C-R	411330!	26001-7021	GARLK	340724!	2613128	DANA	471344
258511M	Y-T	471224!	25965	C-R	226610	26001-7024	GARLK	351487	26132	C-R	412871!
258511MM	WALKE	473245!	25966	C-R	411330!	26001-7033	GARLK	470954!	261336	SPERY	472164!
258511N	WALKE	471781!	25968	C-R	710092	26001-7034	GARLK	471554	26134	C-R	412871!
258511N	Y-T	471781!	25970	C-R	411330!	26001-7055	GARLK	471689	26137	MICH	471231!
258511NN	EATON	415991	25978404	ALLCH	417349	26001-7080	GARLK	340400	26137	UNIVE	471231!
258511NN	EATON	455146!	259805	HYST	J1117	26001-7090	GARLK	442110=	26138	C-R	412871!
258511NN	WALKE	415991	25981-82300	SUZUK	710116	26001-7093	GARLK	310841	26139	C-R	412871!
258511O	WALKE	415449!	259854R91	IH	415449!	26001-8000	GARLK	7014AS	26141	C-R	410708 *
258511O	Y-T	415449!	259895R92	IH	415072	260017023	GARLK	471466	26142	C-R	413248
258511P	WALKE	416865!	25990	C-R	712598	26002612	GMC	7013S	26144	C-R	413248 *
258511PP	WALKE	473367	259960	ALLCH	6324S=	26004811	GMC	2286	26146	C-R	410708
258511PP	WALKE	473367!	25996D	IH	415025	2600888	CHRY	473214!	26147	C-R	410708 *
258511PP	Y-T	450065	25CJ1-1	BR-WN	473228	26009	LAU	471255!	26148	C-R	413248
258511Q	WALKE	416888!	25FTD1	BR-WN	450639	26009831	GMC	7013S	26149	C-R	410708
258511QQ	WALKE	473232	25M-1	BR-WN	471766!	26010792	GMC	710166	26150	C-R	413248
258511R	WALKE	415196!	25W1	BR-WN	471766!	2601099	CLARK	9613S	26150	MICH	474253
258511R	Y-T	415196!	25X35X7	NATL	222510	260110	CLARK	450129	26150	UNIVE	474253!
258511R91	IH	410708	25X35X7SC	TRSCM	25X35X7!	260110	CLARK	472826!	26152	C-R	413248
258511RR	WALKE	472397!	25X35X7TC	TRSCM	25X35X7!	26011061	GMC	4795V	26153	C-R	413248
258511RR	Y-T	472397!	25X36X7ASN(32)	ISP	25X36X7	26011597	GMC	3543	26154	C-R	410708
258511S	WALKE	417316!	25X36X8SC	TRSCM	25X36X8	260135R91	IH	470059	26156	UNIVE	470515
258511S	Y-T	417316!	25X36X8TC	TRSCM	25X36X8	260135R91	IH	470380!	261576C91	IH	40566S
258511SS	WALKE	55238	25X37X7SC	TRSCM	25X37X7	26018700	GMC	4795V	26162	MICH	471645
258511SS	Y-T	55238	25X37X7TC	TRSCM	25X37X7	26025152	GMC	221925	26162	UNIVE	471645
258511T	WALKE	471750!	25X38X7SC	TRSCM	25X38X7!	26025959	GMC	7013S	26163	C-R	450412 *
258511T	Y-T	471750!	25X38X7TC	TRSCM	25X38X7!	26025977	GMC	7013S	26165	C-R	450412
258511TT	WALKE	470682	25X40X7SC	TRSCM	25X40X7	26026792	GMC	8610	26167	C-R	450412
258511U	WALKE	473464!	25X40X7TC	TRSCM	25X40X7	26026973	GMC	7013S	26168	C-R	450412
258511U	WALKE	473464!	25X40X8SB	TRSCM	25X40X7	26029137	GMC	710166	26169	C-R	43077S
258511U	Y-T	473464	25X42X10SC	TRSCM	25X42X10	26029139	GMC	8660S	261733	SPERY	471765!
258511U	Y-T	473464!	25X42X10TC	TRSCM	25X42X10	26030	GARLK	417365	26175	C-R	415483
258511UU	WALKE	471760	25X42X6AN	ISP	25X42X6 *	26031569	GMC	710101	26175	MICH	471686
258511UU	Y-T	471760	25X42X8SC	TRSCM	25X42X8	26033578	GMC	2043	26175	UNIVE	471686
258511V	WALKE	471570!	25X42X8TC	TRSCM	25X42X8	26037278	GMC	7013S	26176	C-R	415483
258511V	Y-T	471570!	25X45X8SC	TRSCM	25X45X8	26037309	GMC	4762N	26178	C-R	415483!
258511V	Y-T	471570!	25X45X8TC	TRSCM	25X45X8	2603865	TREME	3638	26179	C-R	415483!
258511VV	WALKE	473313	25X46X7SC	TRSCM	25X46X7	2603979	TREME	7692S	26180	C-R	415483!
258511VV	Y-T	473313	25X46X7TC	TRSCM	25X46X7	26041M	DIA	411500	26182	C-R	415483
258511W	WALKE	415036	25X47X7SC	TRSCM	25X47X7	26042234	GMC	7013S	26182	UNIVE	473412
258511WW	WALKE	471192	25X47X7TC	TRSCM	25X47X7	26043	MINNM	473231	26183	C-R	415483!
258511WW	Y-T	471192	25X50X10SC	TRSCM	25X50X10	26043126	GMC	7013S	26183	MICH	473412
258511X	WALKE	471747!	25X50X10TC	TRSCM	25X50X10	2604491	FORD	4127 *	26184	C-R	415483!
258511XX	WALKE	473214!	25X50X8AS	ISP	25X50X8	26047378	GMC	8835S	26185	C-R	415483
258511XX	Y-T	473214!	25X52X10SC	TRSCM	25X52X10	26050	GARLK	415072	26186	C-R	415483
258511Y	WALKE	473234	25X52X10TC	TRSCM	25X52X10	26057167	GMC	3747	26186	C-R	712511

! Industrial Size/Type * Minor Width Difference

= The U.S. customer service number is 877-4-TIMKEN. The Canadian customer service numbers are 800-565-4927 (English) and 800-565-0438 (French-Canadian).

Mfr. No.	Name	Zero Duplication or Recommended Industrial	Mfr. No.	Name	Zero Duplication or Recommended Industrial	Mfr. No.	Name	Zero Duplication or Recommended Industrial	Mfr. No.	Name	Zero Duplication or Recommended Industrial
26186	HYST	471820	2620299	ACDEL	40769S	2620379	ACDEL	6960	262153	ACF	476838!
26188	C-R	415483	26203	C-R	415458!	2620380	ACDEL	8477S	26216	C-R	415458!
26189	C-R	415483!	2620300	ACDEL	40973S	2620381	ACDEL	8549S	26216	JN SON	455144
26190	C-R	415483 *	2620301	ACDEL	41257	2620382	ACDEL	8594S	2621642	MERCM	343185
26191	C-R	415483	2620302	ACDEL	4148	2620383	ACDEL	8597S	2621670	MERCM	240119
26193	C-R	417079	2620304	ACDEL	442380	2620384	ACDEL	8660S	26217	JN SON	J1119
26193-0291	GARLK	471649!	2620305	ACDEL	470380	2620385	ACDEL	8695S	2621740	MERCM	340787
26193-0541	GARLK	471192	2620306	ACDEL	473228	2620386	ACDEL	8704S	2621757	MERCM	340815
26193-0714	GARLK	473229	2620307	ACDEL	450143	2620387	ACDEL	8705S	2621970	MERCM	340724!
26193-13	GARLK	330385!	2620308	ACDEL	482253	2620388	ACDEL	9569S	2622	C-R	471424!
26193-1329	GARLK	472015!	2620309	ACDEL	451948	2620389	ACDEL	8835S	26220	C-R	415458 *
26193-1482	GARLK	471138!	2620310	ACDEL	470487	2620390	ACDEL	8871	26220008	TROS	205044
26193-3130	GARLK	415938	2620311	ACDEL	471862	2620391	ACDEL	8940S	26220F	DIA	473238
26193-4701	GARLK	472954	2620312	ACDEL	450776	2620392	ACDEL	8974S	26221	C-R	415458!
26193-5085	GARLK	481537	2620313	ACDEL	451182	2620393	ACDEL	9015S	26223	C-R	415458!
26193-51	GARLK	471526!	2620314	ACDEL	410987	2620394	ACDEL	9049N	26226402	ALLCH	472324!
26193-6099	GARLK	481397	2620315	ACDEL	412119	2620396	ACDEL	9116S	26227	C-R	415458!
26193-6103	GARLK	471529	2620316	ACDEL	415458	2620397	ACDEL	9150S	2622710A	ACDEL	5123
26193-6113	GARLK	1049	2620317	ACDEL	473228	2620398	ACDEL	9161	2622711A	ACDEL	416125
26193-6156	GARLK	471270!	2620318	ACDEL	4148	2620399	ACDEL	9178S	2622712A	ACDEL	5121
26193-6169	GARLK	471652	2620319	ACDEL	472560N	26204	C-R	415458!	26229	C-R	415458!
26193-6186	GARLK	7412S	2620320	ACDEL	410987	2620400	ACDEL	9195S=	2623001	FMC	471647
26193-7482	GARLK	455583N!	2620321	ACDEL	5109	2620401	ACDEL	9342S	2623028	FMC	472164!
26193-7501	GARLK	330699!	2620322	ACDEL	473228	2620402	ACDEL	9363S	2623300	MERCM	470954
26193-7504	GARLK	472705!	2620323	ACDEL	410825	2620403	ACDEL	9406S	2623517	MERCM	470954!
26193-7510	GARLK	472311!	2620326	ACDEL	51322	2620404	ACDEL	8705S	26237	C-R	415458!
26193-7512	GARLK	1037	2620327	ACDEL	484054	2620405	ACDEL	9568	26238	C-R	415458!
26193-7517	GARLK	481163!	2620328	ACDEL	484058	2620406	ACDEL	9569S	26239	C-R	415458
26193-7518	GARLK	471766!	2620329	ACDEL	5499=	2620407	ACDEL	9762S	26242	C-R	415458!
26193-7520	GARLK	340853	2620330	ACDEL	417485	2620408	ACDEL	8705S	26243	C-R	415458!
26193-7521	GARLK	472354!	2620331	ACDEL	5573	2620409	ACDEL	9864S	26244	C-R	415458
26193-7534	GARLK	476842	2620332	ACDEL	415857	2620410	ACDEL	9911S	26245	C-R	415458!
26193-8356	GARLK	481481	2620333	ACDEL	417480	2620411	ACDEL	9912	262499R91	IH	416271!
26193-88	GARLK	471466!	2620334	ACDEL	5589	2620412	ACDEL	9913	2624RC	SUL	417211!
26193-8949	GARLK	481481	2620335	ACDEL	414045	2620465	MERCM	7840S	2625431	MERCM	471466
26193-8952	GARLK	471633!	2620336	ACDEL	5871	26205	C-R	415458!	26255	C-R	415458!
26193-9489	GARLK	471570!	2620337	ACDEL	6064	2620513	MERCM	254287	2625776	MERCM	330385
26193-9490	GARLK	471649!	2620338	ACDEL	6077	2620530	MERCM	340787	2625837	MERCM	472475
26193-9675	GARLK	450400	2620339	ACDEL	6241S	26206	C-R	415458!	26260	C-R	415458!
26193-9879	GARLK	335924N	2620340	ACDEL	493291	26207	C-R	415458!	262611	WALKE	472397!
26193-9971	GARLK	481181!	2620343	ACDEL	6781	26208	C-R	415458!	2626209	MERCM	240731
26193-9975	GARLK	472015!	2620344	ACDEL	6815	26208 LAU		471267!	2626226	MERCM	471571
26193-9991	GARLK	481443!	2620345	ACDEL	6840S	262088	ALLCH	417650=	26265	C-R	415458!
26193-9992	GARLK	480581	2620346	ACDEL	9568	26208M	DIA	415001!	26266	C-R	415458!
261937488	GARLK	471551!	2620348	ACDEL	6952S=	26209	C-R	415458 *	2626782	MERCM	343185
26194	C-R	417079	2620349	ACDEL	6954S	26209	C-R	415458!	26272	C-R	3813
26195	C-R	417079	2620350	ACDEL	44053	2620948	MERCM	471538!	26275	C-R	417343!
261A5293	BENDI	471466!	2620351	ACDEL	6960	26211	C-R	415458!	26276	C-R	417343!
261D4	WHITE	50631	2620352	ACDEL	6966S	262112	C-R	472843	26270S	JN-MN	417487
2620068	MERCM	471466	2620353	ACDEL	205017	262114	C-R	473437	26283	C-R	417343=
2620070	MERCM	340724!	2620354	ACDEL	6985	262118	C-R	470682	26283	C-R	417343
26202	C-R	415458!	2620355	ACDEL	473317	262118	GR-DV	470682	26283	VICK	473231!
2620250	MERCM	470954!	2620358	ACDEL	7245	262119	C-R	451469	26284	C-R	417343!
2620256	ACDEL	7107A=	2620359	ACDEL	7537S	262119	CLARK	451469	262843C91	IH	451143
2620280	ACDEL	1012N	2620360	ACDEL	7600S	262120	C-R	473232	26286	C-R	417343!*
2620281	ACDEL	224045	2620361	ACDEL	7607	262120	CLARK	473232	2628643	MERCM	472475
2620282	ACDEL	227040	2620362	ACDEL	7686S	262120M1	C-R	473232	2628HCR	SPG	2628!
2620283	ACDEL	203006	2620363	ACDEL	7687S	262122	C-R	473235!	2629	CALSO	204038
2620284	ACDEL	203008	2620364	ACDEL	5113	262123	C-R	450068	26292	C-R	416654
2620285	ACDEL	205044	2620366	ACDEL	472164	262123	MINMA	450068	26293	C-R	417343!
2620286	ACDEL	2081	2620367	ACDEL	7886S	262124	C-R	472185!	26294	C-R	417343!
2620287	ACDEL	2146	2620368	ACDEL	471821	262124	CLARK	472185!	26297	C-R	417343!
2620288	ACDEL	4250	2620369	ACDEL	7934S	262124	GR-DV	472185!	26298	C-R	417343!
2620289	ACDEL	2669	2620370	ACDEL	7994S	262124K	BENDI	471801!	262997	ALLCH	450621
2620290	ACDEL	2689S	2620371	ACDEL	8121S	262124M1	C-R	472185!	262A15204	TROS	5070
2620292	ACDEL	291295	2620372	ACDEL	8133S	262125	C-R	50266	262A15604	TROS	6064
2620293	ACDEL	292594	2620373	ACDEL	8139	262126	C-R	472070	262A20005	TROS	8139
2620294	ACDEL	331301N	2620374	ACDEL	8168=	262127	C-R	473451!	262W120	C-R	473232
2620294A	GMC	331301N	2620375	ACDEL	8243	262128	C-R	472439	262W120-M1	C-R	473232
2620295	ACDEL	340356	2620376	ACDEL	8293S	26213	C-R	415458!	262W124	C-R	472185!
2620297	ACDEL	40185	2620377	ACDEL	473228	262130	C-R	472319	262W124-M1	C-R	472185!
2620298	ACDEL	471787	2620378	ACDEL	8429S	26215	C-R	415458!	26302	C-R	417343!

! Industrial Size/Type * Minor Width Difference

= The U.S. customer service number is 877-4-TIMKEN. The Canadian customer service numbers are 800-565-4927 (English) and 800-565-0438 (French-Canadian).

Mfr. No.	Name	Zero Duplication or Recommended Industrial	Mfr. No.	Name	Zero Duplication or Recommended Industrial	Mfr. No.	Name	Zero Duplication or Recommended Industrial	Mfr. No.	Name	Zero Duplication or Recommended Industrial
26303	VICK	472185!	26448-0114	GARLK	471553!	26620	C-R	7780	267616R91	IH	417355!
26305	C-R	417343!	26448-0542	GARLK	471192	266218R91	IH	473405	26763	C-R	410987!
26306	C-R	417343!	26448-0550	GARLK	470950!	26625	C-R	710234	26769C	DIA	473231!
26310	C-R	200392	26448-0550	GARLK	6241S	2662818	MERCM	473230	26773	AMC	471570!
26310	HYST	415437	26448-0648	GARLK	470380!	2662LPD	JN-MN	416107!	2677634	MERCM	471570!
263122	C-R	473235!	26448-0837	GARLK	473234!	2662OS	JN-MN	416107!	267807	ALLCH	J1110=
263128	C-R	472439	26448-1474	GARLK	471272!	2662OS	JN-MN	455073	26784	JNSON	473238!
26313	C-R	415007	26448-2120	GARLK	417344!	26630	C-R	68X85X8	26784C	DIA	410987!
26314	C-R	415007	26448-6231	GARLK	473231!	26640	C-R	68X88X8!	267868	SPERY	340930
263148	GMC	471750!	26448-6252	GARLK	472164!	26640	C-R	710446	26790	EUROS	227550
263148	ROSS	450048	26448-6436	GARLK	476820	26640	HYST	450143	26790	EUROS	75X100X12!
2632	DURA	450593!	26448-6870	GARLK	455134!	26648	C-R	68X90X10!	267981	GMC	470059
26324SA	TRSCM	451143	26448-7033	GARLK	470954!	2665	HWY	471571	267981	GMC	470380!
2632511	MERCM	471766!	26448-7090	GARLK	471271!	2665	NATL	224820	26800	EUROS	229005
26328	C-R	415007*	26448-7256	GARLK	472446	26650	C-R	68X90X10	26800	EUROS	229006
26328	C-R	417483	26448-7295	GARLK	416127	26650	C-R	68X90X7*	268000	ACF	415027
2632D	GOODM	418028	26448-9508	GARLK	471466!	26651	C-R	68X90X10!	268112	C-R	450776!
2632D	GOODM	455137!	26448-9509	GARLK	471264!	26652	C-R	68X90X10V	268114	C-R	471862
26330	C-R	415007*	26448-9994	GARLK	471689!	26652	C-R	710440	268120	C-R	481864
26331	C-R	415007*	26449	TMTR	473232!	26653	C-R	68X90X10V	268121	C-R	450073
26334TA	TRSCM	413248	26449	VICK	417621!	26657	C-R	68X90X10V	268122	ALLCH	200939* =
263448	JEFF	450104	26450	C-R	6846S=	2666	HWY	471571	268122	C-R	474265
263463	GMC	472560N!	26450	TMTR	471554!	26660	C-R	68X95X10	268122	GR-DV	474265
2634D	GOODM	476470	264530R91	IH	471442!	26660	C-R	68X95X8*	268122M1	BUTBN	474265
2634F	GOODM	476470	264532R91	IH	471564	26661	C-R	226840	268122M1	C-R	474265
26351	WHITE	471820	264533R91	IH	471766!	266638	CLIMX	417254	268123	C-R	50075=
26352	C-R	417082	264534R91	IH	410708	266674R91	IH	415449!	268124	C-R	470334!
26353	C-R	417082	26454	MALL	481537	266675R91	IH	416288!	268124M1	C-R	470334!
26353TB	TRSCM	415483	26457PTB	TRSCM	9773	266676R91	IH	415034!	268125	C-R	450269
26354	C-R	417082	264589	HYST	417181!	266677R91	IH	473245!	268126	C-R	471866!
263544TL	TRSCM	417079	26460	C-R	6592S=	266698	ACF	473231!	268128	C-R	471868
26354SA	TRSCM	415483!	264633R91	IH	412473!	26670	C-R	68X100X13	268130	C-R	473459!
26356	C-R	417082	264634R91	IH	473447	266726R91	IH	416163	268130	C-R	473459
26358	C-R	712625	26467	LAU	471466!	266727R91	IH	417539!	268130M1	C-R	473459!
26359	C-R	5971	264674R91	IH	473367!	266728	HYST	200912=	268130M1	C-R	473459
26360	C-R	5971	264674R91	IH	473367	26673	C-R	68X100X10	268131	C-R	450472!
2636054	MERCM	471272!	264693R91	IH	473447	266733R91	IH	210914	2682	C-R	471870!
26361	C-R	416278	264694R91	IH	473367!	2667346	FMC	471192	268419	GMC	471763
26363PTB	TRSCM	415458	264694R91	IH	473367	2667346	PEERC	471192	268440	GMC	472179
26363TB	TRSCM	415458	264695R91	IH	415379	266736R91	IH	470712!	268465	GMC	450307
26364SA	TRSCM	415458	264696R91	IH	417211!	266737R91	IH	476470!	26850F	DIA	415988
26364TA	TRSCM	415458	264697R91	IH	412473!	266737R91	IH	476470	268542	GMC	417316!
26368	C-R	418027!	264699R91	IH	415437	266784C91	IH	472311!	26860	C-R	455151
2636D	GOODM	418028	264700R91	IH	210914	2667871	FMC	474255	268630022	GA-WO	240119
2636D	GOODM	455137!	264701R91	IH	415449!	2667874	FMC	450090	268630058	GA-WO	340817
26373	C-R	9773	264745R91	IH	210945	2667874	FORD	370047A	268630061	GA-WO	476838!
26373TA	TRSCM	417343!	26480	C-R	6592S=	2667874	PEERC	450090	268630090	GA-WO	451857
26374TA	TRSCM	410708	26490	LAU	470328	26683	C-R	68X100X13!	268630190	GA-WO	473463
26378	C-R	9773	26490	LAU	481213!	26695	C-R	710275	268630312	GA-WO	455655!
2638105	MERCM	470625!	264A-401	ROCKW	415072	2669OS	JN-MN	415327*	268630313	GA-WO	415458!
263821R91	IH	472439	26515	STAR	7186S	2669S	SPG	2669	268630331	GA-WO	416664!
2638D	GOODM	416865!	265283	GMC	474278!	267022R91	IH	471733	268630373	GA-WO	417349
263922R91	IH	471413	26542D	IH	470950!	267057	JEFF	473225!	268630400	GA-WO	417351!
26395	VICK	471466!	26542D	IH	6241S	267059	JEFF	417487	268630481	GA-WO	415379
264-A4011	BENDI	415072	2654799	MERCM	17760	2671167	PEERC	471737=	268630487	GA-WO	415437
26402	US-EL	415449!	26549M	DIA	470530!	2671168	FMC	472258!	268630507	GA-WO	416345!
26409	US-EL	474264	2655F	IH	473213!	2671168	PEERC	472258=	268630509	GA-WO	415697!
2640D	GOODM	415023	265659	HYST	JV1304	26730	C-R	6532S=	268630509	GA-WO	455547
2640OS	JN-MN	416404!*	26570D	IH	415035!	267371	HYST	473232!	268630515	GA-WO	415035
26410	US-EL	417171!	26570D	IH	415035	2673838	MERCM	470328	268630515	GA-WO	415035!
26415	EATON	472015!	2658111	MERCM	470390	2673838	MERCM	481213!	268630595	GA-WO	415351!
264179C91	IH	470530	265897	AUTOZ	TCS45961	2674	NATL	370054A	268630621	GA-WO	415371
264183	GMC	471224!	265908	AUTOZ	BS40182	26745	C-R	6532S=	268630643	GA-WO	416154!
2641OS	JN-MN	415458!	2659093	FMC	240736	26747	C-R	710091	268630673	GA-WO	415725!
2642OS	JN-MN	417621!	2659093	PEERC	240736	26748	C-R	68X88X8!	268630691	GA-WO	417541
2643464	CHRYSS	9342S	2659757	CHRYSS	417262!	26748	C-R	710334	268630742	GA-WO	415610
264356	ALLCH	471442!	2659993	FMC	470806	26749	C-R	710334	268630747	GA-WO	455576!
264381	RCA	350156	2659993	PEERC	470806	26752	C-R	455434	268630748	GA-WO	417362!
264381	RCA	473096	266124	C-R	470334!	267538	HYST	415447	268630750	GA-WO	416666
264398	RCA	6863S!	2661738	FMC	450604	267583	HYST	415447	268630815	GA-WO	415074
2643R	SPG	2643N=	2661RC	SUL	471689!	26760	C-R	455151	268630901	GA-WO	416395=
26444	HYST	412119!	2662	C-R	471870!	26761	C-R	455151*	268630915	GA-WO	415551

! Industrial Size/Type * Minor Width Difference

= The U.S. customer service number is 877-4-TIMKEN. The Canadian customer service numbers are 800-565-4927 (English) and 800-565-0438 (French-Canadian).

Mfr. No.	Name	Zero Duplication or Recommended Industrial	Mfr. No.	Name	Zero Duplication or Recommended Industrial	Mfr. No.	Name	Zero Duplication or Recommended Industrial	Mfr. No.	Name	Zero Duplication or Recommended Industrial
268630948	GA-WO	417600	26X52X8TC	TRSCM	26X52X8	27194	BOSTN	476838!	27280	C-R	416664!
268630970	GA-WO	415128	27006	ALLCH	416339	27194	JNSON	415379	27281	C-R	416664!*
268632072	GA-WO	J1127	27006	ALLCH	455031!	27194	JNSON	415379!	27284	C-R	457291
268695	IH	473467!	270065R91	IH	415379!	27196	BOSTN	6760S	27285	C-R	457291*
268695R91	IH	473467!	2701&1701	STEM	386025A	27198	BOSTN	471192	2728OS	JN-MN	471192
268697R91	IH	470530!	2701521	ALLCH	415458=	27200	BOSTN	473233!	27291	C-R	417484!
268698R91	IH	415995!	270178	KOHL	472572!	27204	BOSTN	450593!	27292	C-R	227040
268698R91	IH	415995!	27023	FUNK	415960!	2720401	EIMCO	472319	27293	C-R	417484!
268699R91	IH	412920!	270380C91	IH	416921!	2720403	EIMCO	470487!	27293	C-R	417484*
268721	GMC	472179	2704638	SPICE	471766!	27208	BOSTN	471870!	27294	C-R	417484!
26875	C-R	455151	2704S	SPG	2704=	27210	BOSTN	470334!	27295	C-R	417484!
26877	C-R	486857	27063-0213	GARLK	471267!	27210	C-R	310841	27296	C-R	417484!
2688	HWY	450033	27063-6100	GARLK	471760	272112	C-R	450456!	27297	C-R	417484!
268843	GMC	470590	27063-6113	GARLK	1049	272118	C-R	450803	27298	C-R	417484!
26889	LAU	481443!	27063-6169	GARLK	471652	272122	C-R	450765!	27299	C-R	417484!
2689	HWY	471760	27063-7521	GARLK	6668S	27214	BOSTN	471750!	272A451	BENDI	472826!
2689	NATL	2689S	27063-9502	GARLK	6863S!	27216	BOSTN	471255!	272W2	C-R	474272
26890	C-R	365008	27063-9509	GARLK	471264!	27218	BOSTN	471276	27301	C-R	417484!
268911	HYST	417541	27063-9515	GARLK	471267!	2722	C-R	474272	2730201	EIMCO	415995!
26897C	DIA	6532S=	27063-9528	GARLK	6668S	27220	BOSTN	471549!	27303A	EIMCO	415035!
26898C	DIA	6532S=	27063-9530	GARLK	472213	27220	BOSTN	472467	27303A	EIMCO	415035
26898R	DIA	415437	27074815	WHITE	370338A	27223-0215	GARLK	471570!	2730402	EIMCO	411245!
26898R	DIA	415437!	27075348	WHITE	386025A	27223-0287	GARLK	471224!	27305	C-R	417484!
26899C	DIA	415060	27076255	WHITE	370037A	27223-0359	GARLK	471763	27307	KELSE	416339
26899C	DIA	455060	27076255	WHITE	370338A	27223-0760	GARLK	473231!	27307	KELSE	455031!
2689BX1	SPG	2689	27076258	WHITE	386025A	27223-4600	GARLK	474256	273095R91	IH	415984!
268W116	C-R	470487=	27076259	WHITE	386025A	27223-5051	GARLK	471276	27310	C-R	415984!*
268W116	C-R	470487	27076260	WHITE	370037A	27223-6176	GARLK	473259	273130	C-R	473241
268W116M1	C-R	470487=	27076260	WHITE	370349A	27223-6282	GARLK	476511=	27315	C-R	415984!*
268W116M1	C-R	470487	27076261	WHITE	370037A	27223-6329	GARLK	476519=	27316	C-R	415984!*
268W122	C-R	474265	27076261	WHITE	370349A	27223-6486	GARLK	476510=	27324	C-R	415984!*
268W122-M1	C-R	474265	27076262	WHITE	370037A	27223-6557	GARLK	471379	27326	C-R	415984!*
268W124	C-R	470334!	27076262	WHITE	370349A	27223-6639	GARLK	473197	27327	C-R	415984!*
268W124-M1	C-R	470334!	27076274	WHITE	370349A	27223-6738	GARLK	472239	2732M1	C-R	472492!
268W130	C-R	473459	270773	ALLCH	417316!	27223-7033	GARLK	470954!	273301C91	IH	5403
268W130-M1	C-R	473459	2708026	GMC	370181A	27223-7198	GARLK	472237=	273302C91	IH	5403
2690	HWY	476838!	27089D	IH	415001!	27223-89	GARLK	471264!	27331	C-R	5951
269039	ACF	473214!	27093H	IH	473463	27223-96	GARLK	471612	27332	C-R	415984!
26904W	DIA	5957S	270954	GMC	340413	27225	C-R	710038	27333	C-R	415984!
26905	C-R	455008	2710101	EIMCO	473243	272257	ALLCH	471424!*	27334	C-R	415984!
26920	C-R	455008	27109090	WHITE	386025A	27230	C-R	417484	27335	C-R	415984!
26921	C-R	455008	27109091	WHITE	386025A	27233	BL-KN	473215!	27336	CATER	470380!
269220R91	IH	472924!	2711035	WOOL	471270!	272336	ALLCH	417349=	27337	VICK	353120
2693	HWY	470625!	271116	C-R	50345=	272354	BL-KN	471766!	27338	C-R	417316!
2694038	MERCM	472324!	271131	C-R	450655=	2723OS	JN-MN	410308!	27339	KELSE	415035
269462	ACF	410694!	27118	C-R	450341	27244	BOSTN	471526!	27339	KELSE	415035!
26950	C-R	455008	271281	SPERY	473228	27246	BOSTN	471570!	27340	C-R	417316!
26966F	DIA	470334!	27130	JNSON	455566	27248	BOSTN	450588!	27343	C-R	417316!
26990K	IH	472636!	27133	JNSON	J1122	27250	BOSTN	471649!	27346	C-R	417316!
2699325	MERCM	471529	271337R1	IH	415035	27250	C-R	480491	27346HA	IH	473464!
26996	BOSTN	476820	2715	WOODB	472193!	27251	C-R	480491	27346HA	IH	473464
2699S	SPG	2699=	27150	MICH	473414	27252	BOSTN	471818	27346HB	IH	473464!
269GG130	C-R	473459	27150	UNIVE	473414*	27254	BOSTN	471141!	27346HB	IH	473464
269GG130	C-R	473459!	271592	ALLCH	471141!	27254	C-R	416664!	27348	C-R	417316!
26H7693	FORD	240698	27159201	ALLCH	471141!	272545	SPERY	473227!	27349	C-R	417316!
26X1828	GARLK	455079!	271597R91	IH	471442!	27256	BOSTN	470380!	2734OS	JN-MN	415138!*
26X37X7SC	TRSCM	26X37X7	27162	MICH	473414	27257	C-R	416664!	27352VB	TRSCM	45827S
26X37X7TC	TRSCM	26X37X7	27162	UNIVE	473414	27258	C-R	416664!	273534SA	TRSCM	457291
26X38X5SC	TRSCM	26X38X5!	27178	BOSTN	471466!	27260	BOSTN	350364	27354	C-R	417316!
26X38X5TC	TRSCM	26X38X5!	271797R91	IH	450269	27260	HYST	470712!	273544PTA	TRSCM	417484
26X40X7SC	TRSCM	26X40X7!	271799R91	IH	450269	27262	BOSTN	330385!	27354SA	TRSCM	416664
26X40X7TC	TRSCM	26X40X7!	27180	BOSTN	471224!	27264	BOSTN	441130	273564R91	IH	415437
26X40X8SB	TRSCM	471076	27182	BOSTN	470954!	27266	C-R	45827S	273565R91	IH	415458!
26X42X10	NATL	223606	27182	UNIVE	473415	27268	C-R	416664!	273566R91	IH	210945
26X42X10SC	TRSCM	26X42X10	271821C91	IH	417555!	27269	C-R	416664!	273570R91	IH	470530!
26X42X10TC	TRSCM	26X42X10	27183	MICH	473415	27270	C-R	416664!	273571R91	IH	473447
26X42X7ASN(32)	ISP	26X42X7	27184	BOSTN	471264!	27271	C-R	45827S	273572R91	IH	210914
26X47X7SC	TRSCM	26X47X7	27186	BOSTN	471554!	27276	C-R	416664!	273573R91	IH	473467!
26X47X7TC	TRSCM	26X47X7	27188	BOSTN	471652	27278	BOSTN	340827	273574R91	IH	415995!
26X48X7SC	TRSCM	26X48X7!	27192	BOSTN	471766!	27278	C-R	416664!	273574R91	IH	415995!
26X48X7TC	TRSCM	26X48X7!	27193	JNSON	J1126	27279	C-R	416664!	273575R91	IH	415995!
26X52X8SC	TRSCM	26X52X8	27193	US-EL	471764!	272797R91	IH	450269	273578R91	IH	470530!

! Industrial Size/Type * Minor Width Difference

= The U.S. customer service number is 877-4-TIMKEN. The Canadian customer service numbers are 800-565-4927 (English) and 800-565-0438 (French-Canadian).

NUMERICAL INTERCHANGE

Zero Duplication or Recommended Industrial		Zero Duplication or Recommended Industrial		Zero Duplication or Recommended Industrial		Zero Duplication or Recommended Industrial		
Mfr. No.	Name	Mfr. No.	Name	Mfr. No.	Name	Mfr. No.	Name	
273580R91	IH	471570!	27439 C-R	200942	27512 HARN	472179	275W118 C-R	473441
273581R91	IH	473367	2744 CHEL	450326	275120 C-R	474274	275W118-M1 C-R	473441
273581R91	IH	473367!	27440 C-R	415960!	275120M1 C-R	474274	275W120 C-R	474274
273582R91	IH	417354!	27440 C-R	415960	275121 C-R	450284=	275W120M1 C-R	474274
273584R91	IH	417211!	27443 C-R	415960!	275121M1 C-R	450284=	275W122 C-R	473236!
273585R91	IH	417351!	27444 C-R	415960!	275122 C-R	473236!	275W122-M1 C-R	473236!
27359 C-R		417316!	27447 C-R	415960!	275122M1 C-R	473236!	275W124 C-R	472179
2735OS JN-MN		415076*	27448 C-R	415960!	275123 C-R	50191	275W124-M1 C-R	472179
27361 C-R		417316!	274484R91 IH	473228!	275123M1 C-R	50191	275W126 C-R	473449
27362 C-R		417316!	27450 C-R	415960	275124 C-R	472179	275W126-M1 C-R	473449
27364 C-R		417316!	27452 C-R	415960!	275124 CABOT	472179	275W128 C-R	472572!
27365 C-R		417316	27452 C-R	4564V	275124 GOODM	473238	275W128-M1 C-R	472572!
27366 C-R		417316	27455 C-R	415960=	275124 GR-DV	472179	275W128-T8 C-R	472572!
27366 C-R		417316=	27455 C-R	415960	275124 HARN	472179	275W2 C-R	472492!
27367 C-R		417316!	27456 C-R	415960	275124M1 C-R	472179	275W2-M1 C-R	472492!
27368 C-R		417316!	27458 C-R	415960*	275124T7 C-R	472179	2760 C-R	7X16X7
27368 C-R		417316*	27461 C-R	4564V	275125 C-R	450285	27600 C-R	416282*
27369 C-R		417316!	274611 SPICE	472394	275125M1 C-R	450285	27601 C-R	416282
2736D GOODM		417191	27463 C-R	415960*	275126 C-R	473449	27605 C-R	416282*
2736D GOODM		455165!	274631 SPICE	472394	275126 FAIRB	473449	2760600 EIMCO	416364!
27370 C-R		417316!	274633 SPICE	473225!	275126M1 C-R	473449	276116 C-R	474281!
273701R91 IH		6863S!	274634 SPICE	473243	275127 C-R	473452	276116M1 C-R	474281!
27371 C-R		417316!	274635 SPICE	416654!	275127M1 C-R	473452	276118 C-R	450273
27372 C-R		417316!	274638 SPICE	471766!	275128 C-R	472572!	2761182300 SUZUK	223542
27372VHY TRSCM		46997S	27466 C-R	415960	275128M1 C-R	472572!	2761182300 SUZUK	35X55X11!
27374SA TRSCM		417316	27467 C-R	415960	27519 CHAMP	415697!	276118M1 C-R	450273
27374TA TRSCM		417316	2746T2 DIA	472636!	27525 C-R	55469	276119 C-R	450274
27374TB TRSCM		417316	2746T2 WHITE	472636!	27526 C-R	476574N	276119 GR-DV	450274
27377 C-R		417316!	27470 C-R	415960	27529 C-R	476574N	276120 C-R	450275
27379 C-R		417316!	27470 HYST	415960!	2752M1 C-R	472492!	276120M1 C-R	450275
27383TB TRSCM		415960	274706A HARWA	27X47X10	27530 C-R	55469	276124 C-R	473447
27384 C-R		46997S*	27471 C-R	415960!	27531 HYST	471442!	276124M1 C-R	473447
27384SA TRSCM		415960	27471 C-R	415960	27537 C-R	416706!	276125 C-R	480281!
27384TA TRSCM		415960!	27471 C-R	4564V	27540 C-R	416706!	276126 C-R	480281!
27384TB TRSCM		415960	274710A HARWA	27X47X10	27541 C-R	416706!	276126M1 C-R	480281!
27385 C-R		417316!	27472 C-R	415960!	27543 C-R	416706!	276128 C-R	473179
273857C91 IH		415379!	27472 C-R	415960	27544 C-R	416706=	276128M1 C-R	473179
27387 C-R		417316!	27474 C-R	415960!	27546 C-R	416706!	27613 C-R	416282*
27388 C-R		417316!	27475 C-R	415960	27547 C-R	416706!	276130 C-R	450279
27389 C-R		46997S	27475 C-R	415960!	27549 C-R	416706!	27614K IH	474274
2738T2 WHITE		417484!	27476 C-R	415960!	27550 C-R	416706!	27615 C-R	416282
27394 C-R		46997S	27477 C-R	415960	27555 C-R	416706*	2762 IH	450089
27395SP TRSCM		6643S	27479 C-R	415960	27558 C-R	417484	276202R91 IH	415995!
27397 C-R		417316!	27479 C-R	415960!	27558 C-R	4874N	276202R91 IH	415995!
273980R91 IH		415449!	27480 C-R	415960	275597R91 IH	473447	276207R91 IH	417211!
273981R91 IH		415034!	27481 C-R	415960	27560 C-R	416706=	27621 C-R	55238
273982R91 IH		472179	27481 C-R	415960!	275604 SPG	412473!	27625 C-R	416961=
273985R91 IH		473245!	27483 C-R	415960	27562 C-R	416706!	27630 C-R	6643S
273986R91 IH		416288!	27492 C-R	415960	27565 C-R	416706	276323 HYST	472924!
273987R91 IH		473245!	27492 C-R	415960!	2756867 MERCAM	17795	276397C91 IH	415035
273988R91 IH		416288!	274A2 C-R	472572!	27576 C-R	487678N=	27641 LAU	340771
273989R91 IH		415034!	274FF126-L C-R	473449	2757682 GMC	370019A	27642 C-R	3591
27399 C-R		417316!	274G123 C-R	5836	27577 C-R	476281	2765 C-R	7X16X7V
27401 C-R		417316!	274G125 C-R	6781	27578 C-R	486281N=	276603 HYST	417366!
274014 PEERC		473367!	274G2 C-R	5865	27580 C-R	416282	2767 FWD	472179
274014 PEERC		473367	274H131 C-R	450911N!	27583 KELSE	415041	27676 LAU	7014S
27402B EIMCO		416865!	274Z116 C-R	473440!	275AW122-L C-R	473234	2768012 CHRYS	6840S
27402VH TRSCM		43086S	27501 C-R	415960*	275B WHITE	6863S!	2768017 CHRYS	6960
27404PTA TRSCM		416706	2750101 EIMCO	472234	275B124 C-R	472179	276983 HYST	413479
2740601 EIMCO		416364!	275013 SPG	415995!	275G120 C-R	40286	276985 HYST	473212!
2740D GOODM		415025	275013 SPG	415995!	275G124 C-R	40183S!	276G124 C-R	472179
27416 C-R		417316!	27505 C-R	415960!	275G2 C-R	40389S	276W116 C-R	474281!
27417 C-R		417316!	275067 HYST	474272	275G23 C-R	41013S	276W116-M1 C-R	474281!
274210A HARWA		27X42X10	27510 C-R	415960	275GL126 C-R	7600S	276W118 C-R	450273
27424PTA TRSCM		416282	27511 C-R	415960!	275H125 C-R	450285	276W118-M1 C-R	450273
27427 WHITE		415449!	275112 C-R	450463	275HD124 C-R	40183S!	276W120 C-R	450275
27430 C-R		2222	275112M1 C-R	450463	275HD24 C-R	41013S	276W120-M1 C-R	450275
27432-60B01 SUZUK		223535	275114 C-R	450808	275HM120 C-R	40286	276W124 C-R	473447
274324 VICK		350435	275114M1 C-R	450808	275N124 C-R	472179	276W124-M1 C-R	473447
27438 C-R		370352A	275116 C-R	473440!	275W114 C-R	450808	276W126 C-R	480281!
27438 C-R		5MR1009	275116M1 C-R	473440!	275W116 C-R	473440!	276W128 C-R	473179
27438 C-R		710395	275118 C-R	473441	275W116-M1 C-R	473440!	276W128-M1 C-R	473179

! Industrial Size/Type *Minor Width Difference

=The U.S. customer service number is 877-4-TIMKEN. The Canadian customer service numbers are 800-565-4927 (English) and 800-565-0438 (French-Canadian).

Mfr. No.	Name	Zero Duplication or Recommended Industrial	Mfr. No.	Name	Zero Duplication or Recommended Industrial	Mfr. No.	Name	Zero Duplication or Recommended Industrial	Mfr. No.	Name	Zero Duplication or Recommended Industrial	
276W128-T8	C-R	473179	278127	C-R	414045!	28-P-197	SPICE	473010	28187	MICH	471730	
276W130	C-R	450279	278128	C-R	414045!	28-P-211	DANA	470530=	281W450	CONE	5399	
276YM128	C-R	473179	278128M1	C-R	414045!	28-P-213	SPICE	481833V	281Y1-L	C-R	6855N=	
276YM128-L	C-R	473179	2781F	IH	455008	28-P-225	DANA	472258=	28200	UNIVE	470645	
277065	KOHL	473234!	27841-63B00	SUZUK	1213N	28-P-228	SPICE	470442V!	2820BT	SPG	2820=	
27710	C-R	70X85X8	27842-63B00	SUZUK	710286	28-P-230	SPICE	472070	282131C1+300845C91	IH	5066	
27714	C-R	70X85X8!	27850	C-R	417316!	28-P-236	SPICE	470774	28220	C-R	475384*	
277181R91	IH	441130	2785001	BR-WN	J1122	28-P-261	SPICE	472015	28220	TROS	416738!	
277219C91	IH	416364!	27852A	IH	473446	28-P52	SPICE	471766!	28220	TROS	450096	
27723	C-R	1021V	27853	KELSE	40566S	28-P56	SPICE	471529	28238	HYST	471649!	
27725	C-R	227020*	27860	C-R	475384	28-P60	SPICE	450326	28246	SPERY	471192	
27725	C-R	70X88X8!	278616	C92	IH	370030A	2800-14669STLPD	JN-MN	509503=	28246	VICK	471192
27726	C-R	70X88X9V	27875	MALL	471649!	2800-6841STLPD	JN-MN	509503=	2825713	CHRYS	340413	
27727	C-R	70X88X12	27876	LAU	471539!	280018	BRCWY	50075=	28260	C-R	411348!	
277371	NEHO	5071	278773	ACF	470530!	28001H	IH	416654	282609	ALLCH	473424!	
277383R91	IH	471255!	27887B	HYST	6127	28001HA	IH	416654	2826106	CHRYS	482163!	
27739	C-R	70X90X10!	27897	LAU	471224!	28002669	GM	4614N	2826106	DOMGA	482163!	
27740	C-R	227040	278K1	WHITE	474278!	28002670	GM	4614N	282631	VICK	471504=	
27740	C-R	70X90X10!*	278W124	C-R	470334!	2800OS	JN-MN	471272!	2826362	CHRYS	416654	
27740	C-R	70X90X7*	278W124	C-R	50289	2801-32165	GARLK	473204	28265	AMC	473228	
27741	C-R	70X90X10!	278W128	C-R	414045!	280122L	C-R	473235	28266D	IH	412119!	
27743	C-R	227040	27925	HYST	473463	2801692	CHRYS	9376	2826BT	SPG	2826	
27743	C-R	70X90X10V!	279343C91	IH	415449!	2801733	CHRYS	9487	28270	C-R	411348!	
277433	BUC-E	415871	27947	CHAMP	415483	2801733	DOMGA	9487	28275	C-R	411348!	
27746	C-R	70X90X10!	279491R91	IH	415379=	28032	FUNK	472179	28276	C-R	411348!*	
27746	FMC	471766!	279492R91	IH	415379=	28033	FUNK	415449!	28288	VICK	418028	
27748	C-R	70X92X12	279493R91	IH	415995!	28035	C-R	455005*	28288	VICK	455137!	
27749	C-R	227045	279493R92	IH	415995!	28040	C-R	455005	2829960	CHRYS	456744N	
27750	C-R	70X92X12!	279494R91	IH	415995!	28041	C-R	455005	282W18	C-R	470806	
27752	FMC	476838!	279495R91	IH	415449=	280423	HYST	473230!	282W18-M1	C-R	470806	
27755	C-R	70X90X10!	279496R91	IH	415449=	2805OS	JN-MN	472924!	28308	C-R	227235	
27755	C-R	70X95X13!*	2794RC	SUL	470334!	280661	ACF	6644	28310	C-R	1986	
27757	C-R	70X95X10V	279522	HYST	470682	280689	ACF	473214!	28312	C-R	1986	
27759	C-R	70X95X10	2796RX	SPG	2796	2806OS	JN-MN	473225!	28325	C-R	474230	
27768	C-R	70X100X10	2796SS0	SPG	2796	2807OS	JN-MN	471605*	28325	C-R	72X90X10	
27770	C-R	70X100X13	279731R91	IH	471255!	2808267	CHRYS	6840S	28328	CHAMP	471466	
277724R91	IH	473228	279750R91	IH	417344	2808268	CHRYS	6960	2832BH	SPG	5121	
277727R91	IH	450593!	279751R91	IH	412473!	2808269	CHRYS	8121S	28330	C-R	72X90X10!	
277728R91	IH	470334!	279751R92	IH	412473!	280886C91	IH	415958!	28332	C-R	710075	
277729R91	IH	471785!	279752R91	IH	412473!	280886C91	IH	415958	283333R91	IH	471765!	
27773	C-R	70X100X10V	279754R91	IH	473467=	28100	C-R	455005	28340	C-R	72X95X10	
277730R91	IH	415938	279755R91	IH	412473!	28101	TROS	471316	283403R91	IH	470954!	
277730R92	IH	415938=	27990R91	IH	455040N=	28106AS	HERCU	470712	28341	C-R	72X95X10!	
27775	C-R	70X100X13!	279987R91	IH	415437!	2811035	C-W	416239!	283442C91	IH	417530	
27783	C-R	70X105X13	279988R91	IH	415458=	2811035	WOOL	416239!	2834BG1	SPG	4148	
27783	C-R	70X105X7*	279989R92	IH	455685N=	281139	ACF	471570!	2834BG1	SPG	471424	
27785	C-R	70X105X10!	279990R91	IH	455040N=	28116	C-R	417485	2834OS	JN-MN	55611* =	
27785	C-R	70X105X13!*	27AF1	BR-WN	470954!	2811RC	SUL	473405	28354	C-R	72X100X10	
27785	C-R	70X105X7*	27KH113	MACK	417350=	28120	C-R	417485	28355	C-R	72X100X12	
27790	C-R	70X110X10!	27KH114	MACK	417484!	28124D	IH	415027	28358	C-R	72X100X12!	
27791	C-R	70X110X10!*	27KH116	MACK	5578	28124D	IH	415027!	28363TB	TRSCM	415303!	
27792	C-R	70X110X10!*	27R-549	HOLLE	954014T	28127D	IH	415043	2836D	GOODM	415991	
277FF124	C-R	200354*	27UV-0625	WHITE	471141!	28137	MICH	471267!	2836D	GOODM	455146!	
277FF23	C-R	6590S	27X37X7SC	TRSCM	27X37X7	281374TL	TRSCM	455005	28370	C-R	72X105X10	
277G124	C-R	203002	27X37X7TC	TRSCM	27X37X7	28140	C-R	417485	2837D	GOODM	471196!	
277GR124	C-R	204002*	27X42X10	SIMRT	27X42X10	281404SA	TRSCM	475384	283842	C91	IH	
277GR23	C-R	6590S	27X42X10SC	TRSCM	27X42X10	28141	C-R	417485	28384SP	TRSCM	9864S	
277HDR124	C-R	204002*	27X42X10TC	TRSCM	27X42X10	28143	DURA	417267	28384TA	TRSCM	417158	
277HMS24-T8	C-R	5589\$	27X42X7A	ISP	27X42X7	28150	MICH	471570!	28385	C-R	72X110X10	
277HMS24-T8-L	C-R	5589	27X43X8SC	TRSCM	27X43X8!	28150	UNIVE	471570!*	2839213	WHITE	450639	
2780	C-R	7X22X7	27X43X8TC	TRSCM	27X43X8!	28153D	IH	416288!	28394	EATON	5MR1009	
27802	BOSTN	476816=	27X45X8SC	TRSCM	27X45X8!	2815OS	JN-MN	471567!*	2839D5	DIA	417484!	
27802	HYST	412871!	27X45X8TC	TRSCM	27X45X8!	28160	C-R	417485*	2839D5	WHITE	417484!	
278052R91	IH	415379!	27X47X10	FORSH	27X47X10	28162	MICH	471646!	283G23	C-R	40627S=	
278058R91	IH	474265	27X47X10	SIMRT	27X47X10	28162	UNIVE	471646!	2840101	EIMCO	471887	
278059R91	IH	471684!	27X47X10SC	TRSCM	27X47X10	28175	C-R	475384*	2840202	EIMCO	412040	
278060R91	IH	411253!	27X47X10TC	TRSCM	27X47X10	28175	MICH	470590	28404TA	TRSCM	416921	
278061R91	IH	411253!	27X47X7	SIMRT	27X47X10	28175	UNIVE	470590	284098	ACF	473231!	
278123	C-R	470334!	27X47X8	FORSH	27X47X10	28180	C-R	475384	2840D	GOODM	417537	
278123	C-R	50289	27X47X8	NATL	27X47X10	28181	C-R	475384	2840OS	JN-MN	473439!*	
278124	C-R	470334!	27X47X8	SIMRT	27X47X10	28182	UNIVE	471137	2841	FORD	5727	
278124	C-R	50289	27X52X8A	ISP	27X52X8	28183	MICH	471137	284112	C-R	473197	

! Industrial Size/Type * Minor Width Difference \$F-M Number Is Part Of A Kit
 = The U.S. customer service number is 877-4-TIMKEN. The Canadian customer service numbers are 800-565-4927 (English) and 800-565-0438 (French-Canadian).

NUMERICAL INTERCHANGE

Mfr. No.	Name	Zero Duplication or Recommended Industrial	Mfr. No.	Name	Zero Duplication or Recommended Industrial	Mfr. No.	Name	Zero Duplication or Recommended Industrial	Mfr. No.	Name	Zero Duplication or Recommended Industrial
284112M1	C-R	473197	28658	ROTO	471224!	287131M1	C-R	450474*	287W120	C-R	473444
284120	C-R	450819	28660	C-R	417344!	28714	C-R	450430*	287W120-M1	C-R	473444
284122	C-R	470596*	28663	C-R	417344!*	2872	C-R	472924!	287W122	C-R	473446*
28413TA	TRSCM	417134	28668	C-R	417344!	2872	GR-DV	472924!	287W122-M1	C-R	473446*
28418	C-R	470806*	28669	C-R	417344!	2872	GW1	472924!	287W124	C-R	471141!
28420D	IH	415072	2866D5	WHITE	474278!	28720	C-R	417158!	287W126	C-R	473450
28420DA	IH	415072	28670	C-R	417344=	28720	C-R	9864S	287W126-M1	C-R	473450
28422	C-R	5877	28671	C-R	417344!	287201R91	IH	473367	287W128	C-R	473238
28422M1	C-R	5877	28672	C-R	417344!	287201R91	IH	473367!	287W128-M1	C-R	473238
28422Q6	C-R	5877	286736	ACF	471272!	28722	C-R	451948*	287W130	C-R	472144!*
28424	C-R	450639	28674	C-R	417344!	28722M1	C-R	451948*	287W130-M1	C-R	472144!*
28425	C-R	2081	28676	C-R	417344!*	28724	C-R	470898	287W2	C-R	472924!
28426	C-R	2081	28678	C-R	417344!*	28724M1	C-R	470898	287W2-M1	C-R	472924!
284395TA	TRSCM	2081	28680	C-R	417344!*	28726	C-R	473244	287W22	C-R	451948*
28454	EATON	6532S=	28682	C-R	417344!	28726M1	C-R	473244	287W22-M1	C-R	451948*
28454SA	TRSCM	455144	28683	C-R	417344!	2872M1	C-R	472924!	287W24	C-R	470898
28460	LAU	471649!	28686	C-R	417344!	2872OS	JN-MN	416865!	287W24-M1	C-R	470898
2846582	CHRY5	473423	28687	C-R	417344!*	28731	C-R	417158!	287W26	C-R	473244
2847149	CHRY5	472843	28688	C-R	417344!*	28737	C-R	417158!	287WL130	C-R	472144!*
28474	C-R	456837V	28689	C-R	417344!	28738	C-R	417158!	287WL2	C-R	472924!
285	C-R	39805	28690	C-R	417344!	28739K	IH	473466	287Y2	C-R	472924!*
285	C-R	5106	28691	C-R	417344!	28741	C-R	417158!	287YR2	C-R	472924!
28503A	EIMCO	412040	28693	C-R	417344!	28742	C-R	417158!	28800	C-R	43086S
285128	C-R	473238	28694	C-R	417344!*	287442R91	IH	473367!	28804	C-R	416921!
28517	SPERY	471224!	28697	C-R	417344*	287442R91	IH	473367	28805	C-R	416921!
28517	VICK	471224	286A2	C-R	472924!*	28745	C-R	417158!	2881041	CHRY5	473235
2852574	CHRY5	473228!	286AM2	C-R	472924!*	28746	C-R	417158!	2881185	CHRY5	4695S
2852948	CHRY5	8660S	286AMM124	C-R	471141!	287465	SPERY	40526S	28817	C-R	417134
285310-C91	IH	370001A	286AMM2	C-R	472924!*	28749	C-R	417158!	28820	C-R	417134
285311-C91	IH	370007A	286B124	C-R	471141!*	28750	C-R	417158!	28823	C-R	417134
28531A	HEIL	470712!	286B2	C-R	472924!*	28751	C-R	417158*	28828	C-R	417134
28531A	HERCU	470712!	286B24	C-R	470898	28755	C-R	417158!	28830	C-R	2674
285333	ACF	415995!	286BM2	C-R	472924!*	28756	C-R	417158!	28831	C-R	417134*
285511YY	Y-T	473010	286C2	C-R	472924*	28758	C-R	370150A	28832	C-R	370054A
2855BJ	SPG	2855	286F2	C-R	472924!*	28760	C-R	416921!	28836	C-R	455310
2859981	VICK	240435	286FF24	C-R	470898	28761	C-R	416921!	28830S	JN-MN	417564*
2859984	LAVOI	240716	286FM24	C-R	470898*	28763	C-R	416921!	28841	C-R	416426N*=
2859984	VICK	240716	286N24	C-R	470898	28764	C-R	416921!	28844	C-R	455556
285H24	C-R	470898	286W124	C-R	471141!	28765	AMC	473228	28848	C-R	455144*
2860	CALSO	410524	286W124-M1	C-R	471141!	287666	ACF	471766!	28849	C-R	455144
286116	C-R	450523	287	C-R	5163	2876S	SPG	2876	28849	JOHND	472397!
286124	C-R	471141!	28700	C-R	417344*	28770	C-R	416921!	28853	C-R	455144*
286124M1	C-R	471141!	28700	C-R	417344!*	28771	C-R	416921!	28873	C-R	5403
286130	C-R	472144!	28701	OLIVE	473228	28775	C-R	416921!*	288864R91	IH	472924!
28617	OLIVE	416288!	28704	C-R	417344!	287756C91	IH	5471	288864R92	IH	472924!
28624	C-R	470898	287047R91	IH	455107N=	28777	C-R	416921!	288864R93	IH	472924!
28624M1	C-R	470898	28708	C-R	417344!	28778	C-R	416921!	288G126	C-R	473450!
28625	ROTO	471801!	28709	C-R	417344!	28780	C-R	416921!*	288GL24	C-R	6626S
286326R92	IH	415938=	287118	C-R	473442!*	28781	C-R	416921!*	289030R91	IH	50254=
286349R91	IH	415234!	287120	C-R	473444	28790	C-R	416921*	289031750	GARLK	710067
286362R91	IH	415938	287120	FAIRB	473444	28790	C-R	416921*	289067	BUC-E	415938
286362R92	IH	415938	287120M1	C-R	473444	28794	C-R	416921!	289082R92	IH	455107N=
286363R91	IH	415938	287122	C-R	473446*	28795	C-R	416921!	289082R94	IH	455107N=
286367R91	GW1	415871	287122	FORD	473446!	287952	GW1	471466!	289082R95	IH	455107H=
286367R91	IH	415871	287122M1	C-R	473446*	28796	C-R	43086S	289083R91	IH	415871
286367R92	IH	415871	287123	C-R	50081*	28798	C-R	416921!	289083R92	IH	415871
28646	C-R	4122	287123M1	C-R	50081	28799	C-R	416921!*	289083R94	IH	415871
28646	C-R	470547	287124	ALLCH	471141!	2879RX	OSHKO	473179	289084R91	IH	415234!
286490R91	GW1	50254=	287124	C-R	471141!	287CMM2	C-R	472924	28908H	IH	5MR71
286490R91	IH	50254=	287124M1	C-R	471141!	287F118	C-R	473442!*	289128	C-R	473238
28650	C-R	415303!*	287126	C-R	473450	287FF22	C-R	451948*	289198	SPERY	470380!
28651	C-R	415303!*	287126M1	C-R	473450	287FF24	C-R	40566S*	289290	SPERY	481163!
286512R91	GW1	472157!	287127	C-R	473453*	287FF24-L	C-R	40566S*	2893M	DIA	415991
286512R91	GW1	472157	287128	C-R	473238	287G24	C-R	40566S	2893M	DIA	415991!
286512R92	IH	472157=	287128K	FORD	473238	287G25	C-R	40566S	289503R91	IH	415021
28652	C-R	415303!	287128M1	C-R	473238	287HA119-L	C-R	7456N	289660	ROCKW	J1120=
28653	C-R	415303!	287129	BENDI	473238	287HM24	C-R	40566S*	289796	HYST	J1136
28654	C-R	415303!	287130	C-R	472144!*	287HMS24-Y30	C-R	470898!	2899531	CHRY5	3095
28655	C-R	415303!	287130	GW1	472144!	287LM2	C-R	472924	2899532	CHRY5	3103!
28656	C-R	415303!	287130K	IH	472144!	287TL124	C-R	471141	289HMA24	C-R	470898!
28657	DURA	6703S	287130M1	C-R	472144!*	287W118	C-R	473442!*	289HMS24	C-R	470898!
28658	DURA	471224!	287131	C-R	450474*	287W118-M1	C-R	473442!*	28AC203	CONTI	470530!

! Industrial Size/Type *Minor Width Difference

=The U.S. customer service number is 877-4-TIMKEN. The Canadian customer service numbers are 800-565-4927 (English) and 800-565-0438 (French-Canadian).

Mfr. No.	Name	Zero Duplication or Recommended Industrial	Mfr. No.	Name	Zero Duplication or Recommended Industrial	Mfr. No.	Name	Zero Duplication or Recommended Industrial	Mfr. No.	Name	Zero Duplication or Recommended Industrial
28AK211	CONTI	476838!	28X739	AIRCO	417344!	290150	ACDEL	5M403	29048	ACDEL	6781
28P-15	SPICE	411394!	28X74	AIRCO	473467!	290158	ACDEL	5M544	29049	ACDEL	6785
28P-18	SPICE	6847S	28X740	AIRCO	471705!	29016	ACDEL	3210	2905	ACDEL	1174
28P-19	SPICE	471267!	28X75	AIRCO	472636!	290162	ACDEL	5MR1008	29050	ACDEL	6815
28P-19-3	SPICE	471267!	28X751	AIRCO	471652	290163	ACDEL	5MR1009	29051	ACDEL	6840S
28P-21	SPICE	471538!	28X76	AIRCO	417316!	290167	ACDEL	205017	29054	ACDEL	44052
28P-4	SPICE	471553!	28X79	AIRCO	412871!	290169	ACDEL	1035=	29055	ACDEL	6954S
28P101	SPICE	472258!	29	UNIVE	471103!	29017	ACDEL	5109	29056	ACDEL	44053
28P1011	SPICE	472258!	290-193	ACDEL	471271	290175	ACDEL	2551	29057	ACDEL	6960
28P125	SPICE	471224!	290-228	ACDEL	3357	290176	ACDEL	1077=	29057	TRANS	471271!
28P180	SPICE	416624=	290-257	ACDEL	4739	29018	ACDEL	5121	29058	ACDEL	6985
28P209	DANA	471538	290-257	NDEP	4739	290180	ACDEL	1012N	29058	HYST	473464
28P215	DANA	471466	290-258	ACDEL	710103	290181	ACDEL	1209	290587	SPG	453279!
28P219	DANA	473010	290-259	ACDEL	710106	290182	ACDEL	1213N	29059	ACDEL	473317
28P220	DANA	450496V	290-261	ACDEL	4175	290184	ACDEL	5119	2906	ACDEL	1183
28P222	DANA	417484	290-262	ACDEL	5682	290188	ACDEL	40389S	29060	ACDEL	7107A=
28P223	DANA	416654!	290-263	ACDEL	4795V	29019	ACDEL	5123	29062	ACDEL	7381S
28P227	DANA	470553V	290-268	ACDEL	4740	290190	ACDEL	43290S	29063	ACDEL	7537S
28P229	DANA	471291V	290-269	ACDEL	4739	290191	ACDEL	352637	29064	ACDEL	7600S
28P231	DANA	471835V	290-70	ACDEL	7934S	290192	ACDEL	442874	29065	ACDEL	7607
28P232	DANA	471538V	290-81	ACDEL	8974S	290194	ACDEL	472394	290653R91	IH	471689!
28P233	DANA	471763	290-82	ACDEL	8975S	290195	ACDEL	416273	29066	ACDEL	5113
28P236	DANA	470774	290-83	ACDEL	8976S	290196	ACDEL	472213	29066	ACDEL	7721
28P237	DANA	415983V	290-89	ACDEL	9406S	290197	ACDEL	482126	29066	KELSE	6222
28P3	SPICE	471787!	2900	GM	2900	290199	ACDEL	5246	29067	ACDEL	7780
28P37	SPICE	472164!	2900SET	GM	2900	2902	ACDEL	224045	29068	ACDEL	472164
28P371	SPICE	472164!	2901	ACDEL	471192	29020	ACDEL	4148	29069	ACDEL	7866S
28P372	SPICE	472164!	29010	ACDEL	1196	290200	ACDEL	472016	2907	ACDEL	1188
28P40	SPICE	473228!	29010	TRANS	417495=	290201	ACDEL	455151	29071	ACDEL	7994S
28P51	SPICE	471466!	290100	ACDEL	45013S	290202	ACDEL	6312	29072	ACDEL	8121S
28P57	SPICE	471231!	290102	ACDEL	473473	290204	ACDEL	41075S	29073	ACDEL	8139
28P67	SPICE	471341!	290103	ACDEL	411348	290205	ACDEL	46997S	29074	ACDEL	8243
28P69	SPICE	410496!	290104	ACDEL	417485	290206	ACDEL	45031S	29075	ACDEL	8430S
28P72	SPICE	415001!	290105	ACDEL	417353	290208	ACDEL	55155=	29076	ACDEL	6960
28P75	DANA	417484	290106	ACDEL	55692=	29021	ACDEL	5756	29076	WHITE	470530!
28P76	SPICE	416654!	290107	ACDEL	200600	290211	ACDEL	200763	290768R91	IH	415960
28P85	SPICE	471760	290108	ACDEL	80313	290212	ACDEL	415082	29077	ACDEL	8521S
28P86	SPICE	473229	290109	ACDEL	200640	290213	ACDEL	415876	29078	ACDEL	370047A
28X38X7SC	TRSCM	28X38X7	29011	ACDEL	1198	290214	ACDEL	417020	290787R91	IH	473467
28X38X7TC	TRSCM	28X38X7	290110	ACDEL	200855	290215	ACDEL	417205	29079	ACDEL	8705S
28X40X7SC	TRSCM	28X40X7	290111	ACDEL	203006	290216	ACDEL	417514	2908	ACDEL	1192
28X40X7TC	TRSCM	28X40X7	290112	ACDEL	205004	290217	ACDEL	5MR71	29080	ACDEL	8871
28X42X8SC	TRSCM	28X42X8!	290113	ACDEL	205044	290220	ACDEL	417506	290811R91	IH	416921!
28X42X8TC	TRSCM	28X42X8!	290115	ACDEL	291295	290221	ACDEL	417353	29085	ACDEL	9015S
28X44X6SC	TRSCM	28X44X6!	290116	ACDEL	292594	290222	ACDEL	416102	29087	ACDEL	9150S
28X44X6TC	TRSCM	28X44X6!	290117	ACDEL	418028	290223	ACDEL	417509	29088	ACDEL	9339S
28X45X8SC	TRSCM	28X45X8	290118	ACDEL	331301N	290224	ACDEL	417359	2909	ACDEL	1195
28X45X8TC	TRSCM	28X45X8	290119	ACDEL	340210	290225	ACDEL	416273	29090	ACDEL	8705S
28X47X7	NATL	28X47X7!	29012	ACDEL	1217	290226	ACDEL	471192	29091	ACDEL	9762S
28X47X7SC	TRSCM	28X47X7!	290120	ACDEL	4148	290227	ACDEL	417485	29092	ACDEL	8705S
28X47X7TC	TRSCM	28X47X7!	290121	ACDEL	203006	290223	ACDEL	473450	29093	ACDEL	471413
28X47X8	NATL	28X47X7!	290122	ACDEL	442380	29024	ACDEL	472179	290932	BR-ST	470328
28X48X8SC	TRSCM	28X48X8	290123	ACDEL	450033	29025	ACDEL	5836	290932	BR-ST	481213!
28X48X8TC	TRSCM	28X48X8	290124	ACDEL	480630	29026	ACDEL	5924	29094	ACDEL	40566S
28X52X7SC	TRSCM	28X52X7	290125	ACDEL	410496	29029	ACDEL	6064	29095	ACDEL	40576S
28X52X7TC	TRSCM	28X52X7	290126	ACDEL	417509	2903	ACDEL	1070=	29096	ACDEL	40769S
28X71	AIRCO	471103!	290127	ACDEL	416664	29030	ACDEL	413478	29097	ACDEL	40973S
28X716	AIRCO	471766!	290128	ACDEL	416273	29031	ACDEL	353141	29098	ACDEL	41257
28X717	AIRCO	417316!	290129	ACDEL	416130	29031	KELSE	473239!	29099	ACDEL	42101S
28X718	AIRCO	417171!	29013	ACDEL	2207	29033	ACDEL	3210	290WL130-M1	C-R	9150S
28X719	AIRCO	470530!	290130	ACDEL	417507	29034	ACDEL	6336S	291-100	ACDEL	8660S
28X72	AIRCO	471554!	290131	ACDEL	415991	29035	ACDEL	6356	291-106	ACDEL	8835S
28X721	AIRCO	455005	290132	ACDEL	4148	29035	TRANS	410308!	291-113	ACDEL	9178S
28X724	AIRCO	471553!	290133	ACDEL	493291	290359	SPG	473448	291-12	ACDEL	2081
28X725	AIRCO	415449!	290134	ACDEL	3087	290381	SPG	471652	291-13	ACDEL	2146
28X726	AIRCO	417343!	290135	ACDEL	5131	29039	ACDEL	6489	291-16	ACDEL	5113
28X728	AIRCO	471763	290136	ACDEL	470380	2904	ACDEL	1165	291-275	ACDEL	3348
28X729	AIRCO	471570!	290138	ACDEL	40769S	29042	ACDEL	6547	291-300	ACDEL	370005A
28X73	AIRCO	473205	29014	ACDEL	2222	29044	ACDEL	6626S	291-301	ACDEL	4795V
28X730	AIRCO	470712!	290140	ACDEL	5MR71	29045	ACDEL	6638S	291-302	ACDEL	417505
28X731	AIRCO	417490	290147	ACDEL	5M356	29045	VICK	416664!	291-303	ACDEL	370120A
28X733	AIRCO	471267!	29015	ACDEL	4250	29047	ACDEL	417134	291-31	ACDEL	5453

! Industrial Size/Type

= The U.S. customer service number is 877-4-TIMKEN. The Canadian customer service numbers are 800-565-4927 (English) and 800-565-0438 (French-Canadian).

NUMERICAL INTERCHANGE

Zero Duplication or Recommended Industrial		Zero Duplication or Recommended Industrial		Zero Duplication or Recommended Industrial		Zero Duplication or Recommended Industrial	
Mfr. No.	Name	Mfr. No.	Name	Mfr. No.	Name	Mfr. No.	Name
291005R91	IH	291161	ACDEL	291264	ACDEL	291832	BR-ST
291010R91	IH	291162	ACDEL	291265	ACDEL	291832R1	IH
291010R91	IH	291163	ACDEL	291266	ACDEL	29184	ACDEL
29105	C-R	291164	ACDEL	291267	ACDEL	291841	BR-ST
2910BJ	SPG	291165	ACDEL	291268	ACDEL	29185	ACDEL
2911	ACDEL	291166	ACDEL	291269	ACDEL	291852R91	IH
29110	ACDEL	291167	ACDEL	29127	ACDEL	29186	ACDEL
291101	ACDEL	291168	ACDEL	291270	ACDEL	29187	ACDEL
291102	ACDEL	291169	ACDEL	291271	ACDEL	29188	ACDEL
291102C91	IH	29117	HYST	291272	ACDEL	29189	ACDEL
291103	ACDEL	291170	ACDEL	291273	ACDEL	2919	ACDEL
2911035	WOOL	291171	ACDEL	291274	ACDEL	29191	ACDEL
291103C91	IH	291172	ACDEL	29128	ACDEL	29192	ACDEL
291104	ACDEL	291173	ACDEL	2913	ACDEL	29193	ACDEL
291104C91	IH	291174	ACDEL	29130	ACDEL	29194	ACDEL
291105	ACDEL	291175	ACDEL	291312	BR-ST	29195	ACDEL
291105C91	IH	291176	ACDEL	29132	ACDEL	29196	ACDEL
291107	ACDEL	291177	ACDEL	29133	ACDEL	29197	ACDEL
291108	ACDEL	291178	ACDEL	29134	ACDEL	291973R91	IH
291108	ACDEL	291179	ACDEL	291348R91	IH	29198	ACDEL
291108	BR-ST	291181	ACDEL	291349R91	IH	29199	ACDEL
291109	ACDEL	291182	ACDEL	29135	ACDEL	291FF123-L	C-R
29111	ACDEL	291183	ACDEL	29136	ACDEL	292-110	ACDEL
291110	ACDEL	291184	ACDEL	29139	ACDEL	292-12	ACDEL
291111	ACDEL	291188	ACDEL	2914	ACDEL	292-128	ACDEL
291112	ACDEL	29119	ACDEL	29141	ACDEL	292-135	ACDEL
291115	ACDEL	291196	ACDEL	29141	NEHO	292-3P76127	LUF
291116	ACDEL	291198	ACDEL	29142	ACDEL	292-42	ACDEL
291117	ACDEL	291199	ACDEL	29142	NEHO	292-45	ACDEL
291118	ACDEL	2912	ACDEL	29142	SPERY	292-7	ACDEL
291119	ACDEL	29120	ACDEL	29142	VICK	292-73	ACDEL
29112	C-R	291201	ACDEL	29143	ACDEL	292025R91	IH
291120	ACDEL	291206	ACDEL	291430	BENDI	292030R91	IH
291121	ACDEL	29121	ACDEL	29144	ACDEL	2921	ACDEL
291123	ACDEL	291216	ACDEL	29144	EATON	29210	NOK
291124	ACDEL	291218	ACDEL	29145	ACDEL	292100	NOK
291126	ACDEL	291219	SPG	2914518	CHRYSS	292100	ACDEL
291127	ACDEL	291219	SPG	2914518	CHRYSS	292100	NATL
291128	ACDEL	29122	ACDEL	29146	ACDEL	292101	ACDEL
291129	ACDEL	291221	ACDEL	29147	ACDEL	292102	ACDEL
291130	ACDEL	291222	SPG	29149	ACDEL	292104	ACDEL
291131	ACDEL	291222C91	IH	29149	ACDEL	292105	ACDEL
291132	ACDEL	291223	ACDEL	29154	ACDEL	292106	ACDEL
291133	ACDEL	291225	ACDEL	29155	ACDEL	292107	ACDEL
291135	ACDEL	291229	ACDEL	29156	ACDEL	292108	ACDEL
291136	ACDEL	291232	ACDEL	29156	ACDEL	292109	ACDEL
291137	ACDEL	291235	ACDEL	29158	ACDEL	29211	ACDEL
291138	ACDEL	291237	ACDEL	29159	ACDEL	292112	ACDEL
291139	ACDEL	291238	ACDEL	291596R91	IH	292113	ACDEL
291139R91	IH	29124	ACDEL	2916	ACDEL	292114	ACDEL
29114	ACDEL	291240	ACDEL	29160	ACDEL	292115	ACDEL
291140	ACDEL	291241	ACDEL	29161	ACDEL	292116	ACDEL
291141	ACDEL	291242	ACDEL	29162	ACDEL	292117	ACDEL
291142	ACDEL	291243	ACDEL	29164	ACDEL	292118	ACDEL
291143	ACDEL	291244	ACDEL	29165	ACDEL	292119	ACDEL
291144	ACDEL	291245	ACDEL	29167	ACDEL	292120	ACDEL
291145	ACDEL	291247	ACDEL	291675	BR-ST	292121	ACDEL
291147	ACDEL	291249	ACDEL	29169	ACDEL	292122	ACDEL
291148	ACDEL	29125	ACDEL	2917	ACDEL	292123	ACDEL
291149	ACDEL	291250	ACDEL	29171	ACDEL	292124	ACDEL
29115	ACDEL	291251	ACDEL	29172	ACDEL	292125	ACDEL
291150	ACDEL	291252	ACDEL	29173	CHERY	292126	ACDEL
291151	ACDEL	291253	ACDEL	29174	ACDEL	292127	ACDEL
291152	ACDEL	291253	ACDEL	29174	CHERY	292129	ACDEL
291153	ACDEL	291254	ACDEL	29177	ACDEL	292130	ACDEL
291154	ACDEL	291255	ACDEL	29178	ACDEL	292131	ACDEL
291155	ACDEL	291256	ACDEL	29178	ACDEL	292132	ACDEL
291156	ACDEL	291257	ACDEL	29179	ACDEL	292136	ACDEL
291157	ACDEL	291258	ACDEL	2918	ACDEL	292138	ACDEL
291158	ACDEL	291259	ACDEL	29180	ACDEL	29214	ACDEL
291159	ACDEL	291260	ACDEL	29181	ACDEL		
291160	ACDEL	291261	ACDEL	29182	UNIVE		
		291263	ACDEL	29183	MICH		

! Industrial Size/Type

= The U.S. customer service number is 877-4-TIMKEN. The Canadian customer service numbers are 800-565-4927 (English) and 800-565-0438 (French-Canadian).

Mfr. No.	Name	Zero Duplication or Recommended Industrial	Mfr. No.	Name	Zero Duplication or Recommended Industrial	Mfr. No.	Name	Zero Duplication or Recommended Industrial	Mfr. No.	Name	Zero Duplication or Recommended Industrial
292144R91 IH		473234	29244 ACDEL		473235	29289 ACDEL		410987	293104 ACDEL		473454
292151 ACDEL		223542	292446R91 IH		416107!	2929 ACDEL	370003A		293105 ACDEL		350909
292152 ACDEL		1173	292446R91 IH		455073	29290 ACDEL		450143	293106 ACDEL		473228
292153 ACDEL		1176	292447R91 IH		416107!	29290 C-R		416654*	293107 ACDEL		470334
292154 ACDEL		1177	292447R91 IH		455073	29291 ACDEL		471619	293108 ACDEL		473234
292155 ACDEL		224520	292448R91 IH		416107!	29292 ACDEL		410190	293109 ACDEL		471649
292156 ACDEL	32X58X8		292448R91 IH		455073	29292 C-R		416654!=	29311 ACDEL		5200
292157 ACDEL		1216N	292472 BR-ST		470328	29292 C-R		416654!	293110 ACDEL		470712
29216 ACDEL		5921	292472 BR-ST		481213!	29293 ACDEL		411394	293111 ACDEL		410308
292163 ACDEL		50419	292473 BR-ST		471224!	29294 ACDEL		474255	293112 ACDEL		472636
292164 ACDEL		473441	29249 ACDEL		3604	292949C91 IH		415995!	293113 ACDEL		472164
292165 ACDEL		470487	29250 ACDEL		9316	292949C91 IH		415995!	293114 ACDEL		473231
292167 ACDEL		473258	29251 ACDEL		410308	29295 ACDEL		473231	293115 ACDEL		470898
29219 ACDEL		6127	29252 ACDEL		415960	29296 ACDEL		470774	293116 ACDEL		473227
29210S JN-MN		474265	29253 ACDEL		416921	292966 AUTOZ	TCS45985		293117 ACDEL		471341
2922 ACDEL		1170	29254 ACDEL		416654	29297 ACDEL		471138	293118 ACDEL		471272
2922 SPG		710046	292543R91 IH		472397!	29298 ACDEL		450456	293119 ACDEL		471829
292209 ACDEL		2876	29256 ACDEL		416500	29299 ACDEL		450686	29312 ACDEL		5201
29221 ACDEL		6612S	29257 ACDEL		40185	292E765145 LUF		415551	293120 ACDEL		471344
292210 ACDEL		370004A	29258 ACDEL		40286	292E920110 LUF		471647	293121 ACDEL		417316
292211 ACDEL		7131	29259 ACDEL		40337S	292E920140 LUF		471766!	293122 ACDEL		415995
292212 ACDEL		8020S	292594F60 SPG		292594	292E920151 LUF		450129	293123 ACDEL		415995
292214 ACDEL		55301S	2926 ACDEL		224045	292E920151 LUF		472826!	293124 ACDEL		476470
292215 ACDEL		55309=	2926 HWY		471766!	292E920330 LUF		417316!	293125 ACDEL		415991
292216 ACDEL		415371	29260 ACDEL		40438S	292E920350 LUF		416654!	293126 ACDEL		417349
292217 ACDEL		415001	29260 C-R		417159	292E920400 LUF		476470	293127 ACDEL		415437
292218 ACDEL		417350	292606 ACF		416654	292E920860 LUF		415551	293128 ACDEL	415983N	
29222 ACDEL		6649	29261 ACDEL		471787	292E920960 LUF		415128	293129 ACDEL		415991
292223 ACDEL		410496	29262 ACDEL		50402	292N920280 LUF		413247!	29313 ACDEL		5202
292225 ACDEL		416294	29262 C-R		417159=	292SP10731 LUF		415449!	293130 ACDEL		473225
292226 ACDEL		416706	29263 ACDEL		410737	292SP10734 LUF		417487	293131 ACDEL		6241S
292227 ACDEL		450467	29264 JN SON		471271!	292SP10735 LUF		417357	293132 ACDEL		471820
292228 ACDEL		416163	29264 NOK		223553	292SP10735 LUF		455192!	293133 ACDEL		473459
292229 ACDEL		455260	29265 ACDEL		484054	292SP10736 LUF		417316!	293134 ACDEL		473226
29223 C-R		416956	29265 C-R		417159*	292SP10737 LUF		417196!	293135 ACDEL		473447
292230 ACDEL		455290	29266 ACDEL		55028	292SP10748 LUF		416273!	293136 ACDEL		471762
292231 ACDEL		415350	29267 ACDEL		55199=	292SP10759 LUF		417349	293137 ACDEL		471763
292232 ACDEL		417537	29268 ACDEL		412119	292SP10789 LUF		415449!	293138 ACDEL		471764
292233 ACDEL		455375=	29269 ACDEL		472179	292SP10791 LUF		415995!	293139 ACDEL		471765
292234 ACDEL		455434	29270 ACDEL		472179	292SP10795 LUF		415072	29314 ACDEL		5203
292235 ACDEL		417497	29270 C-R		417159*	292SP10796 LUF		416865!	293140 ACDEL		471766
292236 ACDEL		417551	29271 ACDEL		410686N	292SP10797 LUF		470625!	293141 ACDEL		471801
292237 ACDEL		416332	29271 C-R		417159	292SP10798 LUF		415991	293142 ACDEL		473016
292239 ACDEL		472636	292719R91 IH		415458	292SP10798 LUF		455146!	293143 ACDEL		472179
29224 ACDEL		6808N	29272 ACDEL		410737	292SP10816 LUF		472636!	293144 ACDEL		471571
29224 C-R		416956	29272 C-R		416500	292SP65130 LUF		416556!	293145 ACDEL		473229
292240 ACDEL		472924	292720R91 IH		412119!	292SP65130 LUF		472157	293146 ACDEL		473010
292241 ACDEL		415371	29273 C-R		416500	292SP75906 LUF		476470	293147 ACDEL		471649
292242 ACDEL		417551	29273 C-R		4563V	292SP76127 LUF		473243	293148 ACDEL		470590
292243 ACDEL		416332	29274 ACDEL		417344	292SP76371 LUF		473228	293149 ACDEL		473211
292244 ACDEL		415350	29275 ACDEL		415960	292SP76685 LUF		417487!	29315 ACDEL		5204
29225 ACDEL		6818	29275 C-R		416500*	292SP76685 LUF		417487	293150 ACDEL		470682
29227 ACDEL		6930	29276 ACDEL		416921	292SP76700 LUF		416888!	293151 ACDEL		473239
29228 ACDEL	7044NA		29277 ACDEL		415036	292SP767000 LUF		416888!	293152 ACDEL		472394
29229 ACDEL		5126	29277 C-R		416500	293-201 ACDEL		481181	293153 ACDEL		472012
29220S JN-MN		473224!	29277 C-R		416500=	293-304 ACDEL		473214	293154 ACDEL		472015
2923 ACDEL		224015	29278 ACDEL		417487	293-33 ACDEL		473179	293155 ACDEL		473457
29230 ACDEL		7216	29279 ACDEL		416444	293-51 ACDEL		7412S	293156 ACDEL		410308
29230 C-R		416956	29280 ACDEL		416271	293-65 ACDEL		8792S	293157 ACDEL		472016
29231 ACDEL		473235	292807C91 IH		713750	293-70 ACDEL		4333N	293158 ACDEL		472016
29231 C-R		416956	29281 ACDEL		418028	293-70 ACDEL		9449	293159 ACDEL		450313
29233 ACDEL		7378	29282 ACDEL		415449	293-72 ACDEL		9613S	29316 ACDEL		5205
29234 ACDEL		7457N	29283 ACDEL		416404	29300 C-R		416654!	29316 C-R		416654!
29235 C-R		416956	29284 ACDEL		415379	29305 C-R		416654=	293160 ACDEL		473243
29238 ACDEL		8168=	29285 ACDEL		473215	29307A HYST		410987!	293161 ACDEL		473245
29239 ACDEL		472070	29286 ACDEL		470334	29308 HYST		410987!	293162 ACDEL		472636
2924 ACDEL		224045	2928694 GMC		417505	29310 ACDEL		2655	293163 ACDEL		412871
29240 C-R		416956	2928694 GMC		6864S	29310 C-R		416654!	293164 ACDEL		471870
29241 ACDEL		8293S	29287 ACDEL		473464	29310 NOK		223540	293165 ACDEL		470898
29241 C-R		416956	29288 ACDEL		410102	293100 ACDEL		331228H	293166 ACDEL		471652
29243 ACDEL		8515N	29288 C-R		416500	293101 ACDEL		340797	293167 ACDEL		473197
292439R91 IH		417020	29288 C-R		4563V	293103 ACDEL		471267	293168 ACDEL		473445

! Industrial Size/Type * Minor Width Difference

= The U.S. customer service number is 877-4-TIMKEN. The Canadian customer service numbers are 800-565-4927 (English) and 800-565-0438 (French-Canadian).

NUMERICAL INTERCHANGE

Mfr. No.	Name	Zero Duplication or Recommended Industrial	Mfr. No.	Name	Zero Duplication or Recommended Industrial	Mfr. No.	Name	Zero Duplication or Recommended Industrial	Mfr. No.	Name	Zero Duplication or Recommended Industrial
293169	ACDEL	472164	293257	ACDEL	473214	29363	ACDEL	473473	29417	ACDEL	40401
29317	ACDEL	5206	293258	ACDEL	473468	29364	ACDEL	471827	29418	ACDEL	40433S
29317	C-R	416654*	29326	ACDEL	472258	29367	ACDEL	8935S	29419	ACDEL	472560N
29317	C-R	416654!	293261	ACDEL	473445	29367	BR-ST	471567!	2942	ACDEL	1049
293170	ACDEL	471271	293265	ACDEL	472258	29368	BR-ST	450593!	2942	NATL	7782N
293171	ACDEL	472258	293266	ACDEL	471413	29369	ACDEL	9376	29420	ACDEL	474278
293172	ACDEL	470565	293267	ACDEL	471413	2937	ACDEL	2443	29420	C-R	475348N*
293173	ACDEL	413248	293268	ACDEL	455134	29370	C-R	416654!	29421	ACDEL	352541
293174	ACDEL	410737	293269	ACDEL	473460	29371	ACDEL	9487	29422	ACDEL	472311
293175	ACDEL	470898	29327	ACDEL	5976S	29371	C-R	416654!	29423	ACDEL	323138
293178	ACDEL	451143	293271	ACDEL	50075 =	293714	SPG	1967	29424	ACDEL	415995
293179	ACDEL	472164	293273	ACDEL	480491	29373	ACDEL	410059	29424	C-R	227530
29318	ACDEL	5207	293274	ACDEL	50528	293739R1	NAVST	425RR	29425	ACDEL	240151
293180	ACDEL	451169N	293277	ACDEL	343185	29375	ACDEL	471827	29426	ACDEL	240356
293181	ACDEL	415988	293279	ACDEL	350942	29375	C-R	416654!	29427	ACDEL	6703S
293182	ACDEL	416332	293280	ACDEL	472636	293751	SPG	1174	29428	ACDEL	240414
293183	ACDEL	415379	293281	ACDEL	415991	293751	SPG	38X52X8.5!	29429	ACDEL	240731
293184	ACDEL	417484	293282	ACDEL	417191	29376	ACDEL	471829	29430	ACDEL	240733
293185	ACDEL	417484	293283	ACDEL	417344	29377	ACDEL	415991	29430	C-R	455356
293186	ACDEL	415483	293284	ACDEL	473412	29378	ACDEL	415991	29431	ACDEL	240735
2931862	CHRYSL	5126	293285	ACDEL	450311	29379	ACDEL	418028	29432	ACDEL	240736
293187	ACDEL	457291	293286	ACDEL	450362	2937D	GOODM	416332!	29433	ACDEL	470954
2931875	CHRYSL	8835S	293288	ACDEL	450415	2938	ACDEL	2503	29434	ACDEL	472560N
293188	ACDEL	470380	293289	ACDEL	450604	2938	ACDEL	2503N	29435	ACDEL	340413
293189	ACDEL	472185	29329	ACDEL	473214	29380	ACDEL	415991	29435	NOK	1147
293190	ACDEL	472705	293290	ACDEL	450911N	29381	ACDEL	472394	29436	ACDEL	254270
293191	ACDEL	471827	293291	ACDEL	416332	29382	ACDEL	470898	29436	NOK	1146
293192	ACDEL	470687	293292	ACDEL	472164	29382	EATON	370023A	29437	ACDEL	340724
293193	ACDEL	470898	293293	ACDEL	473212	29382	EATON	456618	29437	NOK	1147
293194	ACDEL	471554	293294	ACDEL	471570	29383	ACDEL	471554	29438	ACDEL	340787
293195	ACDEL	471341	293295	ACDEL	472258	29383	C-R	416654!	29438	NOK	1036
293196	ACDEL	472189A	293296	ACDEL	470530	29384	ACDEL	470954	29439	ACDEL	471413
293197	ACDEL	470898	293297	ACDEL	472185	29384	C-R	417486	29440	ACDEL	471766
293198	ACDEL	471424	293298	ACDEL	412119	29385	ACDEL	340771	29440	C-R	455356*
293199	ACDEL	473445	293299	ACDEL	471424	29385	C-R	417486	29441	ACDEL	471689
2932	ACDEL	1163 =	2933	ACDEL	1167	29386	ACDEL	473463	29442	ACDEL	471267
293200	ACDEL	470954	29330	ACDEL	410987 =	29387	ACDEL	50266	29443	ACDEL	472185
293202	ACDEL	482163	293300	ACDEL	417343	29387	NOK	710112	29444	ACDEL	471466
293203	ACDEL	471652	293301	ACDEL	473367	29388	ACDEL	470506	29445	ACDEL	471551
293204	ACDEL	415483	293302	ACDEL	471801	29389	ACDEL	51032S	29446	ACDEL	473179
293205	ACDEL	223840	293303	ACDEL	415483	2938D	GOODM	415937!	29447	ACDEL	470625
293206	ACDEL	33X50X12	293305	ACDEL	471424	2939	ACDEL	2551	29448	ACDEL	473237
293207	ACDEL	2506	293306	ACDEL	473212	29390	ACDEL	471413	29449	ACDEL	474276
293208	ACDEL	2658	293307	ACDEL	410059	29390	C-R	417486	2945	ACDEL	471267
293209	ACDEL	2876	29331	US-EL	474255	29391	ACDEL	473367	29454	ACDEL	1037
293210	ACDEL	6847S	29332	ACDEL	471829	29391	C-R	417486	29456	ACDEL	7399S
293211	ACDEL	8421S	29334	ACDEL	470954	29392	ACDEL	472287	29457	ACDEL	6597S
293212	ACDEL	5MR1300	29335	ACDEL	6847S	29393	ACDEL	240009	29458	ACDEL	480821
293214	ACDEL	473010	293353R91	IH	415483!	29394	ACDEL	240698	29459	ACDEL	6597S
293218	ACDEL	1041	29336	ACDEL	471827	29394PTB	TRSCM	416500!	2946	ACDEL	6859S
29322	ACDEL	5201	29337	ACDEL	470898	29395	ACDEL	240816	29460	ACDEL	43071S
29322	C-R	416654	29339	ACDEL	473459	29396	ACDEL	311189	29460	C-R	455356*
293223	ACDEL	1094 =	2934	ACDEL	3771	29397	ACDEL	472354	294606	BR-ST	441130
293224	ACDEL	1097N	29340	ACDEL	7018N =	29398	ACDEL	331107N	29461	ACDEL	471689
293226	ACDEL	222510	29341	ACDEL	410059	29399	ACDEL	331227H	29462	ACDEL	472157
293227	ACDEL	222510	29342	ACDEL	9613S	29404PTB	TRSCM	416654	29463	ACDEL	450532
293228	ACDEL	33X50X12	29343	ACDEL	473234	29404TA	TRSCM	416654	29464	ACDEL	471224
293229	ACDEL	1193	29344	ACDEL	472354	29405	C-R	417486	29465	ACDEL	415995
29323	ACDEL	5200	29346	ACDEL	7188S	29406	C-R	417486*	29465	C-R	455356*
293230	ACDEL	223240	29347	ACDEL	471344	29408011	GARLK	471645	29466	ACDEL	473179
293236	ACDEL	1215	29348	ACDEL	7300S	2940D	GOODM	55028	2947	ACDEL	471267
293236	ACDEL	1215N	29350	ACDEL	7399S	2941	ACDEL	1010 =	29471	C-R	712937
293238	ACDEL	9599S	29352	ACDEL	7442H	29410	ACDEL	7840S	294769C91	IH	370004A
293239	ACDEL	473215	29353	ACDEL	473214	29411	ACDEL	471538	2948	ACDEL	7013S
293246	ACDEL	473228	29355	ACDEL	342805	29412	ACDEL	8059S	29480	C-R	370199A
293249	ACDEL	471539	29356	ACDEL	353135	29413	ACDEL	471538	2949	ACDEL	471652
293250	ACDEL	473234	29357	ACDEL	473473	29413TA	TRSCM	417486	294FF128	C-R	6064
293251	ACDEL	471801	29358	ACDEL	7692S	29414	ACDEL	40101S	294FF28	C-R	6064
293252	ACDEL	472179	2936	ACDEL	2361	29415	ACDEL	471571	295	C-P	450593!
293253	ACDEL	472164	29360	ACDEL	7751H	29416	ACDEL	240319	295-24	ACDEL	9845
293255	ACDEL	415988	29360	C-R	416654*	294160	BR-ST	471554!	29505	C-R	710240
293256	ACDEL	470059N	29362	ACDEL	7929S	294167	BR-ST	471270!	2951	ACDEL	1110

! Industrial Size/Type * Minor Width Difference

= The U.S. customer service number is 877-4-TIMKEN. The Canadian customer service numbers are 800-565-4927 (English) and 800-565-0438 (French-Canadian).

OIL SEALS

29510 – 297591R91

Mfr. No.	Name	Zero Duplication or Recommended Industrial	Mfr. No.	Name	Zero Duplication or Recommended Industrial	Mfr. No.	Name	Zero Duplication or Recommended Industrial	Mfr. No.	Name	Zero Duplication or Recommended Industrial
29510	ACDEL	6636S	29551	ACDEL	5M81	29629	ACDEL	5419	29695	ACDEL	481644
29510	C-R	75X90X10	29553	ACDEL	5M445	2963	ACDEL	5026	29696	ACDEL	415379
29510	C-R	75X90X8!	29555	C-R	75X105X13	29637	ACDEL	5460	29697	ACDEL	485725H =
29512	ACDEL	470712	2955635	CHRY5	481181!	296377	SPG	8975S	296D4	WHITE	471271!
29512	C-R	75X90X10!	2955637	CHRY5	471271!	29639	ACDEL	5479	296FF2-L	C-R	205044
29513	ACDEL	6759S	29557	ACDEL	472164	296390C91	IH	370048A	296G130	C-R	470530!
29513	C-R	75X90X10!	29558	ACDEL	224040	296392C91	IH	370007A	29700	KELSE	5924
29514	ACDEL	6936S	2955840	CHRY5	370003A	296393C91	IH	370001A	297000C91	IH	473473
29515	ACDEL	3103	2955842	CHRY5	370023A	296394C91	IH	370019A	297001C91	IH	473473
29516	ACDEL	3103	2955843	CHRY5	370034A	296396C92	IH	370019A	29705X	MASSE	473444
29517	ACDEL	473237	2955RC	SUL	415711	2963RH	SPG	1987	29708	NOK	321460
29518	ACDEL	3095	29563	ACDEL	413246	2964	ACDEL	5070	29700S	JN-MN	473229
29519	ACDEL	415449	29563	C-R	710384	296409C91	IH	370033A	29710	ACDEL	471750
2952	ACDEL	3095	29563	C-R	75X100X12!	29642	ACDEL	5576	29710	NOK	710102
29520	ACDEL	350936	29564	ACDEL	2955	296437C91	IH	370021A	29711	ACDEL	40494S
29520	C-R	710376	29565	ACDEL	472409	296438C91	IH	370036A	29712	ACDEL	43089S
29522	ACDEL	8804S =	29566D	IH	474265	296438C91	IH	370349A	29713	ACDEL	203003
29523	ACDEL	9599S	29567	ACDEL	471271	296440C91	IH	370003A	29714	ACDEL	203003
29524	C-R	75X95X10!	29567	C-R	75X105X13!	296441C91	IH	370030A	29715	ACDEL	203008
2952467	CHRY5	6808N	29568	ACDEL	411253	296448C1	IH	730017	29716	ACDEL	203012
29525	ACDEL	472439	2956OS	JN-MN	415035	29645	ACDEL	5585	29717	ACDEL	203013
29525	C-R	227530	2956OS	JN-MN	415035!	29646	ACDEL	5072	29718	ACDEL	203016
29525	C-R	75X95X10!	2957	ACDEL	470354	29647	ACDEL	5591	29719	ACDEL	203020
29526	C-R	716445	29570	ACDEL	415938	29649	ACDEL	415284	29710S	JN-MN	473226
29526	C-R	75X95X10V!	29570	C-R	75X110X12	2965	ACDEL	5072	2972	ACDEL	471316
29527	ACDEL	42260S	29571	ACDEL	415449	29650	ACDEL	7014S	29720	ACDEL	203025
29527	C-R	75X95X10V	29572	ACDEL	417171	296501C91	IH	415458	2972024	CHRY5	370001A
29528	ACDEL	476470	29573	ACDEL	417344	296509C1	IH	415458	2972024	CHRY5	380001A
29529	ACDEL	321460	29574	ACDEL	473474	29651	ACDEL	40301S	29721	ACDEL	203029
2953	ACDEL	5115	295749R91	IH	473231!	29652	ACDEL	351487	297210	C-R	471504!
29530	C-R	75X95X10V	29575	ACDEL	472185	29653	ACDEL	75251S	29722	ACDEL	204002
29531	ACDEL	473231	29575	C-R	75X110X12!	296543	ACF	416130!	297226R91	IH	472924!
29531	BR-ST	471354!	29576	ACDEL	472492	29655	ACDEL	335924N	297227R91	IH	416556!
29532	ACDEL	332062	29577	ACDEL	417316	29656	ACDEL	345035	297227R91	IH	472157
29533	ACDEL	3945	29578	ACDEL	473231	29657	ACDEL	471538	29723	ACDEL	204008
29534	ACDEL	350936	29579	ACDEL	471504	296573	ACF	416070	29724	ACDEL	204013
29535	ACDEL	472439	2958	ACDEL	473179	29658	ACDEL	350974	29725	ACDEL	204017
29536	ACDEL	410708	29585	C-R	75X115X10*	29659	ACDEL	417621	29726	ACDEL	204020
29537	ACDEL	476470	29585	C-R	75X115X12	2965RC	SUL	417211!	29727	ACDEL	205015
29537	C-R	227530*	29587	C-R	75X120X10*	2966	ACDEL	5073	29728	ACDEL	204020
29537	C-R	75X95X10!*	2959	ACDEL	410708	29660	ACDEL	417158	29728	LEECE	473444
29538	ACDEL	472082	29590	C-R	200322	29661	ACDEL	415035	29729	ACDEL	441319
29539	ACDEL	450096	295957	SPG	8976S	29662	ACDEL	416865	2972981	CHRY5	370001A
2953962	CHRY5	442380	295FF126	C-R	5070	29663	ACDEL	455251H	2972981	CHRY5	380001A
2954	ACDEL	415937	295FF128	C-R	6064	29664	ACDEL	455480	2972M1	C-R	470530!
29540	ACDEL	470354	295FF131	C-R	41081S =	29665	ACDEL	415379	2972OS	JN-MN	474265
29540	C-R	227540	295G131	C-R	40370S	296653	ACF	416130!	2973	ACDEL	200354
29540	C-R	227550*	296-01	ACDEL	3945	29666	ACDEL	480581	29730	ACDEL	412920
29540	C-R	75X100X12!	296-8	ACDEL	5092	29667H	IH	411253!	29731	ACDEL	471267
2954018	CHRY5	40769S	296-9	ACDEL	5095	29668	ACDEL	5MR1301	29732	ACDEL	412861
29541	ACDEL	450400	2960381	CHRY5	370033A	29669	ACDEL	1040 =	29733	ACDEL	40154S
2954128	CHRY5	410308!	296051	SPG	418028	29671	ACDEL	5127	29734	ACDEL	204008
2954128	CHRY5	473468	2961	ACDEL	226020	29672	ACDEL	5108	297346R91	IH	471424!
2954147	PEERC	471567!	2961012	LILIS	473227!	29673	ACDEL	5132	297347R91	IH	470565!
2954148	PEERC	473227	29611	ACDEL	5108	29675	C-R	1019	2973650	CHRY5	370007A
295416	PEERC	415327	2961188	CHRY5	9316	296804	ACF	416288	2973680	CHRY5	370007A
29542	ACDEL	474272	2961190	CHRY5	5778	29681	ACDEL	5128N	2973863	CHRY5	417267
29542	C-R	227550*	29612	ACDEL	5111	29683	ACDEL	412473	29730S	JN-MN	471255!
29542	C-R	75X100X10V	29612	ACDEL	5111S	29684	ACDEL	40085S	29742	HYST	471689!
29543	ACDEL	473454	29613	ACDEL	5112S	296842	HYST	415234!	29749X	MASSE	471835!
29543	C-R	75X100X10	29614	ACDEL	5116	29685	ACDEL	50191	29740S	JN-MN	470682
29544	ACDEL	472082	2961493	CHRY5	9773	29685	C-R	227610	2975	ACDEL	6283S
29544	C-R	75X100X10V	29615	ACDEL	5117	29685	PEERC	415327	29750X	MASSE	473444
29545	ACDEL	472341	2961607	CHRY5	474276	296863R91	IH	471224!	297513	BUC-E	472157!
29545	C-R	75X100X10V	2961618	CHRY5	415991	29687	ACDEL	50209	297513	BUC-E	472157
29546	ACDEL	480574H	2961618	CHRY5	415991!	29689	ACDEL	327303	297514	BUC-E	415871
29547	ACDEL	471195	29619	ACDEL	5337	29690	ACDEL	415213N	297516	BUC-E	55611 =
2954738	CHRY5	417487	2961985	IVECO	713119	29691	ACDEL	450655 =	297517	BUC-E	416107!
29548	ACDEL	471504	2962	ACDEL	227040	29692	ACDEL	451583	297517	BUC-E	455073
29549	ACDEL	3103	29620	ACDEL	5095	29693	ACDEL	455583N	2975320	CHRY5	370057A
2955	ACDEL	5587	29624	ACDEL	5390	296931R91	IH	415995!	2975361	CHRY5	370003A
2955098	CHRY5	415458!	29628	JOHND	473239	29694	ACDEL	455956H	297591R91	IH	450084!

! Industrial Size/Type * Minor Width Difference

= The U.S. customer service number is 877-4-TIMKEN. The Canadian customer service numbers are 800-565-4927 (English) and 800-565-0438 (French-Canadian).

NUMERICAL INTERCHANGE

Mfr. No.	Name	Zero Duplication or Recommended Industrial	Mfr. No.	Name	Zero Duplication or Recommended Industrial	Mfr. No.	Name	Zero Duplication or Recommended Industrial	Mfr. No.	Name	Zero Duplication or Recommended Industrial
29759X	MASSE	450065	298148	ACDEL	471224	298211	C-R	50501	298282	ACDEL	471192
2976	ACDEL	6362=	298149	ACDEL	340136	298213	ACDEL	471530	298283	ACDEL	470625
29760	HYST	415082	29815	ACDEL	452222	298214	ACDEL	471281	298284	ACDEL	471529
29761	CHERY	471192	298150	ACDEL	330385	298215	ACDEL	471532	298285	ACDEL	472234
2976511	CHRY5	370001A	298151	ACDEL	471267	298216	ACDEL	471472	298286	ACDEL	471413
2976511	CHRY5	380001A	298152	ACDEL	340400	298217	ACDEL	471535	298288	ACDEL	473460
297661	BUC-E	416125!	298153	ACDEL	254287	298218	ACDEL	473405	298289	ACDEL	473205
297667	BUC-E	415645!	298155	ACDEL	340771	29822	ACDEL	483054N	29829	ACDEL	6575S
297667	BUC-E	455104	298156	ACDEL	340815	298220	ACDEL	471549	298290	ACDEL	472287
2976698	CHRY5	370023A	298157	ACDEL	340817	298221	ACDEL	471558	298291	ACDEL	473234
2977	ACDEL	6832S	298158	ACDEL	340823	298222	ACDEL	471255	298292	ACDEL	471760
29771X	MASSE	473231	298159	ACDEL	340900	298223	ACDEL	481073	298293	ACDEL	473424
2978	ACDEL	6906S	29816	ACDEL	6222	298224	ACDEL	471553	298294	ACDEL	473214
297824	ACF	473010	298160	ACDEL	340927	298225	ACDEL	471554	298295	ACDEL	473421
2978604	CHRY5	370057A	298161	ACDEL	345146	298226	ACDEL	471567	298296	ACDEL	473435
2979	ACDEL	7235S	298162	ACDEL	350156	298228	ACDEL	474253	298297	ACDEL	471747
29795	NOK	2955	298162	ACDEL	473096	298229	ACDEL	471570	298298	ACDEL	473236
297951R91	IH	450084!	298163	ACDEL	350364	298230	ACDEL	450033	298299	ACDEL	450188
2979957B00	SUZUK	223831	298164	ACDEL	473227	298231	ACDEL	450039	2983	ACDEL	5797
297FF128	C-R	203034	298165	ACDEL	472311	298232	ACDEL	450040	29830	ACDEL	418028
297G128	C-R	6064	298166	ACDEL	474272	298233	ACDEL	450593	298300	ACDEL	471692
29800	C-R	3698	298167	ACDEL	471554	298234	ACDEL	473419	298301	ACDEL	472705
2981	ACDEL	5462	298168	ACDEL	473367=	298235	ACDEL	450044	298302	ACDEL	481443
29810	ACDEL	471442	298169	ACDEL	473232	298236	ACDEL	476838	298302568	REX	415449!
298100	ACDEL	50883=	29817	ACDEL	6357S	298237	ACDEL	473426	298302668	REX	417172
298101	ACDEL	474256	298170	ACDEL	470530	298238	ACDEL	471750	298303	ACDEL	471231
298102	ACDEL	472185	298171	ACDEL	470530	298239	ACDEL	471354	298303068	REX	415082
298103	ACDEL	412725	298172	ACDEL	411253	29824	ACDEL	455566	298303268	REX	470059
298104	ACDEL	55030	298173	ACDEL	412119	298240	ACDEL	450054	298303268	REX	470380!
298105	ACDEL	416282	298174	ACDEL	471442	298241	ACDEL	473438	298303468	REX	473473
298106	ACDEL	417563	298175	ACDEL	471224	298242	ACDEL	474264	298303568	REX	410496!
298107	ACDEL	417570	298176	ACDEL	412920	298243	ACDEL	471821	298303768	REX	471424!
298108	ACDEL	55236	298177	ACDEL	470625	298244	ACDEL	450065	298304	ACDEL	451583
298109	ACDEL	55239=	298178	ACDEL	470954	298245	ACDEL	473367	298304568	REX	472179
298110	ACDEL	415867	298179	ACDEL	472287	298246	ACDEL	473228	298304668	REX	417343!
298111	ACDEL	415349	29818	ACDEL	6370N	298247	ACDEL	473232	298304768	REX	471835!
298112	ACDEL	55358=	298180	ACDEL	471763	298248	ACDEL	472185	298304868	REX	417507
298113	ACDEL	327303	298181	ACDEL	472015	298249	ACDEL	472439	298304868	REX	417507!
298114	ACDEL	417492	298182	ACDEL	471391	29825	ACDEL	6513	298304968	REX	416364!
298115	ACDEL	415442	298183	ACDEL	473243	298250	ACDEL	481864	298305	ACDEL	480210
298116	ACDEL	55469	298184	ACDEL	413247	298251	ACDEL	450073	298305268	REX	455402=
298117	ACDEL	417780	298185	ACDEL	471870	298252	ACDEL	474265	298305368	REX	473229
298118	ACDEL	417433	298186	ACDEL	471271	298253	ACDEL	474281	298306068	REX	471709
298119	ACDEL	415683	298188	ACDEL	471224	298254	ACDEL	473444	298306168	REX	470530!
29812	ACDEL	7107A=	298189	ACDEL	471570	298255	ACDEL	473446	298306268	REX	415899N
298120	ACDEL	410825	29819	ACDEL	6380	298256	ACDEL	473238	298306268	REX	416624
298121	ACDEL	200642	298190	ACDEL	412473	298257	ACDEL	450084	298306368	REX	415146!
298122	ACDEL	200110	298191	ACDEL	415458	298258	ACDEL	470530	298306368	REX	415991
298123	ACDEL	200322	298192	ACDEL	415027	298259	ACDEL	470086	298306768	REX	473214!
298124	ACDEL	200371	298193	ACDEL	416125	298260	ACDEL	473313	298306968	REX	417349!
298125	ACDEL	200851	298194	ACDEL	415035	298261	ACDEL	470088	298307	ACDEL	471646
298126	ACDEL	203034	298195	ACDEL	415138	298262	ACDEL	473458	298307068	REX	416332!
298127	ACDEL	204029	298196	ACDEL	416865	298263	ACDEL	473462	298308	ACDEL	471647
298128	ACDEL	204035	298197	ACDEL	417621	298264	ACDEL	413469	298308968	REX	415379
298129	ACDEL	205005	298198	ACDEL	471181	298265	ACDEL	412943	298309	ACDEL	471648
298130	ACDEL	205017	298199	ACDEL	415725	298266	ACDEL	411253	298309468	REX	417603!
298131	ACDEL	205035	2982	ACDEL	5727	298267	ACDEL	410694	298310	ACDEL	471651
298132	ACDEL	210945	2982	CALSO	472164!	298268	ACDEL	412119	298311	ACDEL	471684
298133	ACDEL	411376	298200	ACDEL	476470	298269	ACDEL	473441	298312	ACDEL	472951
298134	ACDEL	415449	298201	ACDEL	415984	298270	ACDEL	450111	298313	ACDEL	471688
298135	ACDEL	240005	298202	ACDEL	416664	298271	ACDEL	473467	298314	ACDEL	471689
298136	ACDEL	240023	298203	ACDEL	415389	298272	ACDEL	473450	298315	ACDEL	471705
298138	ACDEL	240119	298204	ACDEL	415498	298273	ACDEL	472572	298316	ACDEL	471733
298139	ACDEL	240319	298205	ACDEL	415899N	298274	ACDEL	473449	298317	ACDEL	470712
29814	ACDEL	472924	298205	ACDEL	416624	298275	ACDEL	471442	298318	ACDEL	471744
298140	ACDEL	471267	298206	ACDEL	415995	298276	ACDEL	471224	298319	ACDEL	471785
298141	ACDEL	240462	298207	ACDEL	440972	298277	ACDEL	472409	29832	ACDEL	6590S
298142	ACDEL	240716	298208	ACDEL	441130	298278	ACDEL	471735	298320	ACDEL	471787
298143	ACDEL	453279	298209	ACDEL	350936	298279	ACDEL	472826	298321	ACDEL	471795
298144	ACDEL	291099	29821	ACDEL	471442	29828	ACDEL	480630	298322	ACDEL	473439
298146	ACDEL	331173	298210	ACDEL	412920	298280	ACDEL	412920	298323	ACDEL	472070
298147	ACDEL	471466	298211	ACDEL	442251	298281	ACDEL	450133	298324	ACDEL	450269

! Industrial Size/Type

= The U.S. customer service number is 877-4-TIMKEN. The Canadian customer service numbers are 800-565-4927 (English) and 800-565-0438 (French-Canadian).

Mfr. No.	Name	Zero Duplication or Recommended Industrial	Mfr. No.	Name	Zero Duplication or Recommended Industrial	Mfr. No.	Name	Zero Duplication or Recommended Industrial	Mfr. No.	Name	Zero Duplication or Recommended Industrial
298325	ACDEL	450273	29839	ACDEL	417210	298453	ACDEL	415938	298518	ACDEL	476470
298326	ACDEL	474274	298390	ACDEL	471652	298454	ACDEL	417556	298519	ACDEL	455308
298327	ACDEL	471141	298391	ACDEL	470774	298455	ACDEL	416666	29852	ACDEL	8907
298328	ACDEL	472144	298392	ACDEL	472475	298456	ACDEL	417562	298520	ACDEL	455310
298329	ACDEL	472397	298393	ACDEL	471567	298457	ACDEL	416229	298521	ACDEL	415984
29833	ACDEL	6644	298394	ACDEL	471649	298458	ACDEL	455121	298522	ACDEL	417536
298330	ACDEL	473461	298395	ACDEL	471413	298459	ACDEL	417602	298523	ACDEL	455330
298331	ACDEL	450307	298396	ACDEL	451817	29846	ACDEL	7456N	298524	ACDEL	415284
298332	ACDEL	471391	298397	ACDEL	451857	298460	ACDEL	415128	298525	ACDEL	415284
298333	ACDEL	473242	298398	ACDEL	470334	298461	ACDEL	417474	298526	ACDEL	415379
298334	ACDEL	412040	298399	ACDEL	474276	298462	ACDEL	455134	298527	ACDEL	416956
298335	ACDEL	472029	2984	ACDEL	5865	298463	ACDEL	418028	298528	ACDEL	415389
298336	ACDEL	413478	29840	ACDEL	6863S	298464	ACDEL	415142	298529	ACDEL	417350
298337	ACDEL	470605	29840	C-R	710028	298465	ACDEL	455144	29853	ACDEL	9773
298338	ACDEL	450339	298400	ACDEL	417073	298466	ACDEL	417172	298530	ACDEL	415937
298339	ACDEL	450341	298401	ACDEL	415001	298467	ACDEL	415991	298531	ACDEL	417555
29834	ACDEL	470954	298402	ACDEL	415458	298468	ACDEL	415449	298532	ACDEL	415498
298340	ACDEL	450342	298403	ACDEL	417316	298469	ACDEL	417343	298534	ACDEL	415551
298341	ACDEL	474254	298404	ACDEL	455005	29847	ACDEL	7700S	298535	ACDEL	455556
298342	ACDEL	413247	298405	ACDEL	417344	298470	ACDEL	415150	298536	ACDEL	455566
298343	ACDEL	471504	298406	ACDEL	415007	298471	ACDEL	455151	298537	ACDEL	418028
298344	ACDEL	472164	298407	ACDEL	455008	298472	ACDEL	417134	298538	ACDEL	455685
298345	ACDEL	471538	298408	ACDEL	415960	298473	ACDEL	417486	298539	ACDEL	416267
298346	ACDEL	473448	298409	ACDEL	416921	298474	ACDEL	417351	29854	ACDEL	417316
298347	ACDEL	472193	29841	ACDEL	6886S	298475	ACDEL	417621	29854	C-R	100495
298348	ACDEL	472492	298410	ACDEL	416654	298476	ACDEL	417488	29854	C-R	417349*
298349	ACDEL	473227	298411	ACDEL	415995	298477	ACDEL	417171	298540	ACDEL	416364
29835	ACDEL	6663S	298412	ACDEL	417487	298478	ACDEL	417181	298541	ACDEL	416071
298350	ACDEL	471267	298413	ACDEL	416288	298479	ACDEL	412473	298542	ACDEL	415995
298351	ACDEL	471424	298414	ACDEL	456105	29848	ACDEL	8126S	298543	ACDEL	3016
298352	ACDEL	473442	298415	ACDEL	476470	298480	ACDEL	417191	298545	ACDEL	417530
298353	ACDEL	471539	298416	ACDEL	455019	298481	ACDEL	417492	298546	ACDEL	417191
298354	ACDEL	472299	298417	ACDEL	415021	298482	ACDEL	417196	298547	ACDEL	456744N
298355	ACDEL	471341	298418	ACDEL	455022	298483	ACDEL	415937	298548	ACDEL	472439
298356	ACDEL	450446	298419	ACDEL	415023	298484	ACDEL	417210	298549	ACDEL	470625
298357	ACDEL	471270	29842	ACDEL	471141	298485	ACDEL	417967	298550	ACDEL	471766
298358	ACDEL	473224	29842	C-R	415449	298486	ACDEL	455188	298551	ACDEL	471341
298359	ACDEL	472319	298420	ACDEL	455024	298487	ACDEL	455189	298552	ACDEL	472164
29836	ACDEL	6703S	298421	ACDEL	415025	298488	ACDEL	417357	298553	ACDEL	471267
298360	ACDEL	473440	298422	ACDEL	455026	298489	ACDEL	455194	298554	ACDEL	471466
298361	ACDEL	450463	298423	ACDEL	415027	29849	ACDEL	8370S	298555	ACDEL	470954
298362	ACDEL	450472	298424	ACDEL	415027	298490	ACDEL	472157	298556	ACDEL	471076
298363	ACDEL	450474	298425	ACDEL	416125	298491	ACDEL	415196	298557	ACDEL	471652
298364	ACDEL	471818	298426	ACDEL	416339	298492	ACDEL	455197N	298558	ACDEL	471272
298365	ACDEL	473244	298427	ACDEL	455033	298493	ACDEL	455197N	298559	ACDEL	471571
298366	ACDEL	450492	298428	ACDEL	415034	298494	ACDEL	415196	29856	C-R	100495
298367	ACDEL	471272	298429	ACDEL	415035	298495	ACDEL	416888	29856	C-R	417349
298368	ACDEL	473423	29843	ACDEL	7186S	298496	ACDEL	416888	298560	ACDEL	471413
298369	ACDEL	410524	298430	ACDEL	415036	298497	ACDEL	455203	298561	ACDEL	471737
29837	ACDEL	473229	298431	ACDEL	455037	298498	ACDEL	416137	298562	ACDEL	473238
298370	ACDEL	471689	298432	ACDEL	416891	298499	ACDEL	416154	298563	ACDEL	472397
298371	ACDEL	471744	298433	ACDEL	415045	2985	ACDEL	455280	298564	ACDEL	472324
298372	ACDEL	472150	298434	ACDEL	415138	29850	ACDEL	8635S	298565	ACDEL	415458
298373	ACDEL	471224	298435	ACDEL	415066	298500	ACDEL	416158	298566	ACDEL	471442
298374	ACDEL	471808	298437	ACDEL	417273	298501	ACDEL	417247	298567	ACDEL	472258
298375	ACDEL	412027	298438	ACDEL	416865	298502	ACDEL	415219	298568	ACDEL	480821
298376	ACDEL	413246	298439	ACDEL	417546	298503	ACDEL	417538	298569	ACDEL	480844
298377	ACDEL	471498	29844	ACDEL	7338N	298504	ACDEL	415234	29857	ACDEL	471224
298378	ACDEL	470390	298440	ACDEL	415072	298505	ACDEL	415303	29857	C-R	100495
298379	ACDEL	450621	298441	ACDEL	455073	298506	ACDEL	415263	29857	C-R	417349
29838	ACDEL	410496	298442	ACDEL	416476	298507	ACDEL	456305	298570	ACDEL	471076
298380	ACDEL	481073	298443	ACDEL	455079	298508	ACDEL	417605	298571	ACDEL	471652
298381	ACDEL	471570	298444	ACDEL	416239	298509	ACDEL	415725	298572	ACDEL	473231
298382	ACDEL	471737	298445	ACDEL	417487	29851	ACDEL	8750S	298573	ACDEL	470380
298383	ACDEL	471984	298446	ACDEL	415088	298510	ACDEL	416706	298574	ACDEL	472015
298383TA	TRSCM	417159	298447	ACDEL	416167	298511	ACDEL	417254	298575	ACDEL	482069N
298384	ACDEL	481397	298448	ACDEL	411376	298512	ACDEL	455280	298576	ACDEL	472157
298385	ACDEL	471466	298449	ACDEL	416271	298513	ACDEL	416364	298577	ACDEL	415196
298386	ACDEL	473203	29845	ACDEL	7354N	298514	ACDEL	415294	29858	ACDEL	40169S
298387	ACDEL	473474	298450	ACDEL	411245	298515	ACDEL	415295	298581	ACDEL	5M89
298388	ACDEL	473517	298451	ACDEL	415302	298516	ACDEL	417082	298584	ACDEL	5M293
298389	ACDEL	481792	298452	ACDEL	455104	298517	ACDEL	417601	298587	ACDEL	5M466

* Minor Width Difference

NUMERICAL INTERCHANGE

Mfr. No.	Name	Zero Duplication or Recommended Industrial	Mfr. No.	Name	Zero Duplication or Recommended Industrial	Mfr. No.	Name	Zero Duplication or Recommended Industrial	Mfr. No.	Name	Zero Duplication or Recommended Industrial
298589	ACDEL	5M559	298670	ACDEL	55228=	298736	ACDEL	471958	29880	ACDEL	471103
298594	ACDEL	5M867	298671	ACDEL	415027	298737	ACDEL	471689	29880	C-R	417350!
29859X	MASSE	417191	298672	ACDEL	55548	298738	ACDEL	451469	298800	ACDEL	417549
29859X	MASSE	455165!	298675	ACDEL	7208S	298739	ACDEL	473016	298801	ACDEL	417555
2986	ACDEL	5877	298678	ACDEL	210914	29874	ACDEL	41013S	298802	ACDEL	470565
29860	C-R	100495	298679	ACDEL	417343	298740	ACDEL	417520	298803	ACDEL	416125
29860	C-R	417349	29868	ACDEL	40520S	298741	ACDEL	415047	298805	ACDEL	471760
298601	ACDEL	1020	29868	C-R	3698	298742	ACDEL	415090	298806	ACDEL	473424
298604	ACDEL	2064	298680	ACDEL	412473	298743	ACDEL	417602	298807	ACDEL	471647
298605	ACDEL	6098=	298681	ACDEL	415725	298744	ACDEL	417604	298808	ACDEL	472951
298609	ACDEL	240385	298683	ACDEL	240435	298746	ACDEL	417354	298809	ACDEL	471567
29861	ACDEL	40328	298684	ACDEL	470530	298747	ACDEL	415187	29881	C-R	417350!
298610	ACDEL	240470	298685	ACDEL	415995	298748	ACDEL	455191	298810	ACDEL	415045
298611	ACDEL	413248	298687	ACDEL	417211	298749	ACDEL	417600	298811	ACDEL	415295
298612	ACDEL	450808	298688	ACDEL	415437	29875	ACDEL	45525S	298812	ACDEL	417278
298614	ACDEL	453510	298689	ACDEL	412473	298750	ACDEL	417278	298813	ACDEL	415937
298615	ACDEL	3136N	29869	ACDEL	40555S	298751	ACDEL	417494	298814	ACDEL	417355
298616	ACDEL	5133	29869	C-R	100495	298752	ACDEL	417549	298815	ACDEL	410825
298617	ACDEL	471141	29869	C-R	417349	298753	ACDEL	415449	298816	ACDEL	417316
29862	ACDEL	40370S	298690	ACDEL	481537	298754	ACDEL	418029	298817	ACDEL	471652
29862	C-R	327995	298691	ACDEL	481163	298754	VICK	330385!	298818	ACDEL	471526
29862	C-R	4307V	298692	ACDEL	473424	298755	ACDEL	455820	298819	ACDEL	471554
29862	C-R	5273	298693	ACDEL	471750	298757	ACDEL	471526	29882	ACDEL	6863S
298620	ACDEL	5971	298694	ACDEL	473215	298758	ACDEL	471554	29882	C-R	417350!
298626	ACDEL	471570	298695	ACDEL	473464	298759	ACDEL	473213	298820	ACDEL	473213
298627	ACDEL	471264	298696	ACDEL	471192	29876	ACDEL	45637S	298821	ACDEL	473242
298628	ACDEL	481443	298697	ACDEL	473466	298760	ACDEL	473215	298822	ACDEL	417210
29863	ACDEL	474276	298698	ACDEL	470605	298761	ACDEL	J712	298823	ACDEL	472354
29863	C-R	100495	298699	ACDEL	473448	298762	ACDEL	417355	298824	ACDEL	416865
29863	C-R	476023N	2987	ACDEL	473228	298764	ACDEL	472409	298825	ACDEL	415227
298631	ACDEL	7639S	29870	ACDEL	40568S	298765	ACDEL	471765	29886	ACDEL	481163
298632	ACDEL	417608	29870	C-R	100495	298766	ACDEL	473468	29884	ACDEL	470328
298633	ACDEL	7973S	29870	C-R	3698	298767	ACDEL	471264	29885	ACDEL	350364
298636	ACDEL	417316	29870	C-R	476023V!=	298768	ACDEL	471267	29885	C-R	417350!
298637	ACDEL	416865	298700	ACDEL	410752	298769	ACDEL	473237	29886	C-R	417350*=
298638	ACDEL	40094S	298701	ACDEL	412119	29877	ACDEL	45825S	29887	ACDEL	330385
298639	ACDEL	40097S	298702	ACDEL	415001	29877	C-R	417350*	29887	C-R	417350!
29864	ACDEL	472354	298703	ACDEL	416288	298770	ACDEL	471649	29888	ACDEL	472354
298640	ACDEL	471765	298704	ACDEL	415023	298771	ACDEL	471765	29889	ACDEL	470409
298641	ACDEL	471647	298705	ACDEL	415302	298772	ACDEL	471835	29889	C-R	417350!
298642	ACDEL	471689	298706	ACDEL	415449	298773	ACDEL	473459	298897	ACF	471821!
298644	ACDEL	330385	298707	ACDEL	417343	298774	ACDEL	472150	2989	ACDEL	415437
298645	ACDEL	40627S=	298709	ACDEL	415379	298775	ACDEL	472258	29890	ACDEL	353132
298649	ACDEL	471224	29871	C-R	417349!	298776	ACDEL	45827S	29890	C-R	417350!
29865	ACDEL	42352S	298710	ACDEL	417357	298777	ACDEL	475348N	29891	ACDEL	450765
29865	C-R	100495	298711	ACDEL	415192N	298778	ACDEL	476023N	29891	C-R	417350
29865	C-R	417349!	298712	ACDEL	417247	298779	ACDEL	416282	298914	ACF	472636!
298650	ACDEL	471267	298713	ACDEL	417433	29878	ACDEL	470004	29892	ACDEL	350435
298651	ACDEL	470954	298714	ACDEL	415960	29878	C-R	417350!	29893	ACDEL	50468
298652	ACDEL	473414	298715	ACDEL	416071	298780	ACDEL	417492	29894	ACDEL	472810
298653	ACDEL	50081	298716	ACDEL	416229	298781	ACDEL	476574N	29894	C-R	417350!
298654	ACDEL	473471	298717	ACDEL	416891	298782	ACDEL	417316	29895	ACDEL	471344
298655	ACDEL	350156	298718	ACDEL	416921	298783	ACDEL	473473	29896	ACDEL	471887
298656	ACDEL	50254=	298719	ACDEL	417493	298784	ACDEL	417211	29896	C-R	455509
298657	ACDEL	50289	29872	ACDEL	471766	298785	ACDEL	471633	29897	ACDEL	471276
298658	ACDEL	50327	29872	C-R	417349!	298786	ACDEL	415867	298970	ACF	417267
298659	ACDEL	50462	298720	ACDEL	417563	298787	ACDEL	417608	29898	ACDEL	470954
29866	ACDEL	40410S	298721	ACDEL	471137	298788	ACDEL	473471	29899	ACDEL	480889
29866	C-R	417349!*	298722	ACDEL	473427	298789	ACDEL	470328	29899	C-R	453182
298660	ACDEL	470606	298723	ACDEL	473475	29879	ACDEL	473415	298AMM2	C-R	470530!
298661	ACDEL	471276	298724	ACDEL	473425	29879	C-R	417350!	298AW28	C-R	471341!
298662	ACDEL	412040	298725	ACDEL	450430	298790	ACDEL	455406	298B124	C-R	473448
298663	ACDEL	474279N	298726	ACDEL	450482	298791	ACDEL	411376	298B2	C-R	470530!
298664	ACDEL	457585	298727	ACDEL	450516	298792	ACDEL	415725	298C2	C-R	470530!
298665	ACDEL	417298	298728	ACDEL	414268	298793	ACDEL	453279	298F124	C-R	5711
298666	ACDEL	415116	298729	ACDEL	450639	298794	ACDEL	470605	298FF123-L	C-R	6101
298667	ACDEL	455406	298730	ACDEL	450765	298795	ACDEL	474265	298FF124-L	C-R	473448
298668	ACDEL	417498	298731	ACDEL	471633	298796	ACDEL	473442	298HD128	C-R	203034
298669	ACDEL	415227	298732	ACDEL	450803	298797	ACDEL	451469	299-6	ACDEL	370005A
29867	ACDEL	40468	298733	ACDEL	470806	298798	ACDEL	417134	29902	C-R	415995!
29867	C-R	100495	298734	ACDEL	450819	298799	ACDEL	417354	29906	C-R	415995!
29867	C-R	476023N	298735	ACDEL	450869	2988	ACDEL	5965	29907	C-R	415995!

! Industrial Size/Type *Minor Width Difference

= The U.S. customer service number is 877-4-TIMKEN. The Canadian customer service numbers are 800-565-4927 (English) and 800-565-0438 (French-Canadian).

Mfr. No.	Name	Zero Duplication or Recommended Industrial	Mfr. No.	Name	Zero Duplication or Recommended Industrial	Mfr. No.	Name	Zero Duplication or Recommended Industrial	Mfr. No.	Name	Zero Duplication or Recommended Industrial
29908	C-R	415995!	29929	ACDEL	415058	2995004	ACDEL	AR6	29997	C-R	417351!
29908	C-R	415995!	29929	C-R	415995!	2995005	ACDEL	AR7	299978	ACF	472560N
29909	C-R	415995!	2992K	CLARK	470530!	2995006	ACDEL	AR8	29998	C-R	417351!
29910	ACDEL	417506	2992M1	C-R	470530!	2995007	ACDEL	AR10	299A2	C-R	470530
29910	C-R	415995!	2993	ACDEL	370002A	2995008	ACDEL	AR11	299A28	C-R	471341!
29910	C-R	415995!	29930	ACDEL	370033A	2995009	ACDEL	AR12	299AMM2	C-R	470530!
29911	ACDEL	417134	29930	C-R	415995!	2995010	ACDEL	AR20	299B124	C-R	473448*
29911	C-R	415995!	29931	ACDEL	370034A	29951	ACDEL	370094A	299B2	C-R	470530!
29911	C-R	415995!	29931	JOHND	473214	29951	C-R	415995!	299BBM24-L	C-R	473467
299110	C-R	450147	29932	ACDEL	370036A	29952	ACDEL	370121A	299C2	C-R	470530!
299116	C-R	450326	29932	ACDEL	370349A	29952	C-R	415995*	299CHA-2	C-R	470530!
29912	ACDEL	370011A	29932	C-R	415995!	29952	C-R	415995!	299F2	C-R	470530!
29912	C-R	415995!	29933	ACDEL	370037A	29953	ACDEL	370124A	299F22	C-R	473466
29912	C-R	415995=	29933	ACDEL	370211A	299539	BR-ST	471733	299F24	C-R	473467!
29912	C-R	415995!=	29933	C-R	415995!	29956	C-R	45013S	299F28	C-R	471341!
299120	C-R	450415	29934	ACDEL	370043A	29958	C-R	415995!	299FF124	C-R	473448*
299124	C-R	473448	29935	ACDEL	370046A	29959	C-R	415995!	299FF128	C-R	203034*
299124M1	C-R	473448	29935	C-R	415995!	299594	ACF	481644	299FL2-M1	C-R	470530!
299128	C-R	450084!	29935	C-R	415995	2996012	ACDEL	HU031A	299FL2-M2	C-R	470530!
299128	FAIRB	450084!	29936	ACDEL	370047A	2996018	ACDEL	HU057A	299FM124	C-R	471984*
299128M1	C-R	450084!	29937	C-R	415995	2996021	ACDEL	HU065A	299FM2	C-R	470530!
29913	ACDEL	370012A	29937	C-R	415995!	2996022	ACDEL	H075	299FM22	C-R	473466
29913	C-R	415995!	29938	ACDEL	370054A	2996028	ACDEL	HU003A	299FM28	C-R	471341!
29913	C-R	415995	29938	C-R	415995!	2996029	ACDEL	HU005A	299G2	C-R	40085S
299130	C-R	473460	29938	C-R	415995	2996030	ACDEL	HU007A	299H128-T8	C-R	450084!
299130	GR-DV	473460	29939	ACDEL	370057A	2996031	ACDEL	HU008A	299H24	C-R	473467
299130	JA-MI	473460	2994	ACDEL	370003A	2996032	ACDEL	HU009A	299MA2-L	C-R	470530!
299130	JAE	473460	29940	ACDEL	370065A	2996033	ACDEL	HU011A	299N2	C-R	470530!
299130M1	C-R	473460	29940	GARLK	411330!	2996034	ACDEL	HU012A	299W120	C-R	450415
299131	C-R	50528	29940-0133	GARLK	5124	2996035	ACDEL	HU013A	299W128	C-R	450084!
299131M1	C-R	50528	29940-0300	GARLK	5121	2996036	ACDEL	HU014A	299W128-M1	C-R	450084!
29914	ACDEL	417172	29940-0412	GARLK	710005	2996037	ACDEL	HU019A	299W130	C-R	473460
29915	ACDEL	370015A	29940-0415	GARLK	710005	2996038	ACDEL	HU024A	299W130-M1	C-R	473460
29915	ALLCH	417316!	29940-0445	GARLK	3173	2996039	ACDEL	HU028A	299W2	C-R	470530!
29916	ACDEL	418028	29940-0453	GARLK	710046	2996041	ACDEL	HU034A	299W2-M1	C-R	470530!
29916	C-R	415995!	29940-0458	GARLK	8312	2996042	ACDEL	HU036A	299W212	C-R	470764
29916	C-R	415995	29940-0503	PREC	710091	2996043	ACDEL	HU042A	299W212	C-R	50764
29917	ACDEL	370019A	29940-4177	GARLK	9449	2996044	ACDEL	HU044A	299W22	C-R	473466
29918	ACDEL	370020A	29940-4415	GARLK	710005	2996045	ACDEL	HU110A	299W22-M1	C-R	473466
29919	ACDEL	370021A	29940-4445	GARLK	3173	2996047	ACDEL	HU058A	299W24	C-R	473467
29919	C-R	415995!	29940-4453	GARLK	710046	2996048	ACDEL	HU066A	299W24-M1	C-R	473467
2992	ACDEL	370001A	29940-8055	GARLK	411330!	2996049	ACDEL	HU110A	299W26	C-R	472234
2992	ACDEL	380001A	29940-8056	GARLK	477069	299609	BR-ST	472475	299W27	C-R	472234
2992	C-R	470530!	299404435	GARLK	472572	29961	C-R	415995	299W28	C-R	471341!
2992	FAIRB	470530!	29941	ACDEL	417507	29962	C-R	45013S	299WL2-M1	C-R	470530!
2992	GR-DV	470530!	29941	C-R	415995	2996200	ACDEL	B299	29B7159	FORD	472015!
29920	ACDEL	416892	29941	C-R	415995!	2996201	ACDEL	B300	29QJ-2931J	MACK	370021A
29920	C-R	415995!	29942	ACDEL	370069A	2996202	ACDEL	B300	29X49219	GW	471141!
29920	C-R	415995	29942	ACDEL	380065A	29967	C-R	415995	29X50096V	GW	471466!
29921	ACDEL	370023A	29943	ACDEL	370106A	29968	C-R	45013S	29X60497	GW	50468
29921	C-R	415995!	29943	C-R	415995!	2997	ACDEL	370006A	29X60725V	GW	472439
299210L	C-R	471504!	29943	C-R	415995	29970	C-R	415995!	29X60725V	KEN	472439
29922	ACDEL	417505	29944	ACDEL	370107A	29971	C-R	415995!	29X60777	ALLCH	473462
29922	C-R	473466	29945	ACDEL	370036A	29971-80050	GARLK	223843	29X60777	GW	473462
29922M1	C-R	473466	29945	ACDEL	370338A	29971-80050	SUZUK	38X60X10	29X60777	IH	473462
29923	ACDEL	386025A	29946	ACDEL	370349A	299713	BUC-E	472157!	29X60777	MACK	473462
29923	ACDEL	416158	29946	ACDEL	415058	299713	BUC-E	472157	29X60981	GW	417486
29923	C-R	415995!	29947	C-R	415995!	29974	C-R	415995!	2A134	CATER	415066
29924	ACDEL	370026A	29948	ACDEL	376590A	299747R91	IH	450084!	2A1614	CATER	416738!
29924	C-R	473467	29949	ACDEL	416865	29975	C-R	415995!	2A1614	CATER	450096
29924M1	C-R	473467	29949	C-R	415995=	2998	ACDEL	370007A	2A1983	CATER	415458!
29925	ACDEL	370027A	299492R1	IH	J825=	2998	ALLCH	471689!	2A3688	CATER	473464
29925	C-R	415995!*	299493R91	IH	455282N=	2998	TRAC	471689!	2A3688	CATER	473464!
29925	C-R	415995!	299494R91	IH	455053N=	29980	C-R	417351!	2A3688	WESTR	473464!
29926	ACDEL	416865	299495R91	IH	455053N=	29980-4465	GARLK	3459	2A3688	WESTR	473464
29926	C-R	472234	2995	ACDEL	370004A	299808038	GARLK	450400	2A4262	CATER	474281!
29926M1	C-R	472234	29950	ACDEL	370086A	299808062	GARLK	415284	2A4547	CATER	450535
29927	ACDEL	370029A	29950	C-R	415995!	29985	C-R	417351!	2A4547	CATER	471264!
29927	C-R	415995!	2995000	ACDEL	AR1	29986	C-R	417351!	2A4575	CATER	473446
29928	ACDEL	370030A	2995001	ACDEL	AR2	2999	ACDEL	370008A	2A5113	CATER	471570!
29928	C-R	471341!	2995002	ACDEL	AR4	29990-0480	GARLK	473241	2A5215	CATER	473225!
29928M1	C-R	471341!	2995003	ACDEL	AR5	29996	C-R	417351!	2A5285	CATER	471530

! Industrial Size/Type * Minor Width Difference

= The U.S. customer service number is 877-4-TIMKEN. The Canadian customer service numbers are 800-565-4927 (English) and 800-565-0438 (French-Canadian).

NUMERICAL INTERCHANGE

Zero Duplication or Recommended Industrial		Zero Duplication or Recommended Industrial		Zero Duplication or Recommended Industrial		Zero Duplication or Recommended Industrial					
Mfr. No.	Name	Mfr. No.	Name	Mfr. No.	Name	Mfr. No.	Name				
2A6475	ROCKW	417316!	2H3847	CATER	413247!	2PS396	C-P	472572!	300079	CURTS	472179
2A939	AU-WS	1873	2H3847	TRACN	413247!	2QA6700	FORD	350936	30008139	ALLCH	45013S
2B1869	CATER	470950!	2H3848	CATER	415234!	2R0299	CATER	415379	300087	CURTS	472258!
2B1869	CATER	6241S	2H3848	TRACN	415234!	2R2677	CATER	472185!	30009	JN-MN	733067
2B2589	CATER	417073	2H3849	CATER	415379	2R299	CATER	415379	30009	SPG	471466!
2B3544	CATER	416738!	2H3849	CATER	415379!	2R312	MOHWK	3591	3000975	CUMMI	472409
2B3544	CATER	450096	2H3850	CATER	472016	2R759	CATER	471554	3000976	CUMMI	50569
2B3883	CATER	415263	2H3851	CATER	417191	2R7647	CATER	415369H=	3000977	CUMMI	39705
2B40	WHITE	415458!	2H3851	CATER	455165!	2R7648	CATER	417487=	30010	C-R	417351!
2B50	CATER	471570!	2H3853	CATER	455290	2R8416	CATER	415389=	300111	C-R	417351!
2B6005	CATER	415995!	2H3910	CATER	473448	2S1076	CATER	472636!	300111	C-W	471612
2B6005	WESTR	415995!	2H3910	TRACN	473448	2S2077	CATER	471195!	300111	CURTS	471612
2B6040	CATER	476838!	2H3911	CATER	418028	2S2078	CATER	470565=	3001138	CUMMI	39701
2B6040	WESTR	476838!	2H3911	CATER	455137!	2S2376	CATER	471504!	300124	C-R	471984
2B8836	CATER	476470	2H3912	CATER	471391!	2S2680	CATER	415995!	300124M1	C-R	471984
2BL-01268	WHITE	45637S	2H3912	TRACN	471391!	2S5867	CATER	470625	300128	C-R	473239
2C108	NOVO	450129	2H3913	CATER	417073	2SB155	WHITE	473228	300128M1	C-R	473239
2C108	NOVO	472826!	2H3915	CATER	323138!	2SB415	WHITE	415001!	300130	C-R	472394
2C67	WHITE	471466!	2H3917	CATER	471413	2SD46	WHITE	481864	300130	GR-DV	472394
2C67P	NATSU	471466!	2H3918	CATER	410825	2SD62	WHITE	472924!	300130M1	C-R	472394
2D1157	CATER	415137!	2H3919	CATER	471272!	2SPC22A	NOVO	471689!	30013272	GMC	710394
2D1157	CATER	418028	2H4403	LEYLD	471689!	2T0340	JNSON	J1105	300137	CURTS	472397!
2D1521	CATER	471571	2H4500	LEYLD	1020	2T340	CATER	J1105	30014404	TROS	471981
2D17341	GMC	50327	2H4659	LEYLD	416664!	2UU-069	WHITE	473179	300145	CURTS	470806
2D186	WHITE	470334!	2H5021	CATER	471689!	2UU-0962	WHITE	473179	30015	C-R	7338N
2D191	WHITE	417073	2H6250	CATER	450084!	2UU0621	WHITE	471689!	300151R92	IH	415035=
2D2930	CATER	473210	2H9298	CATER	472354!	2UUA-0962	WHITE	471192	30015206	TROS	7044NA
2D300	WHITE	413469!	2J1307	CATER	416364!	2UV-0962	WHITE	473179	30015608	TROS	473239
2D5652	CATER	472397!	2J1411	CATER	710011	2UV0662	WHITE	471689!	300160	CURTS	471224!
2D599	CATER	471688	2J1746	CATER	471413	2V9405	CATER	3276*=	30016005	TROS	472394
2D61	WHITE	473458!	2J2631	CATER	417546!	2W1733	CATER	39887	30016008	TROS	472394
2D639	WHITE	413469!	2J6305	CATER	7184=	2W1734	CATER	39888	30016010	TROS	472394
2D640	WHITE	473462	2J7426	CATER	415295	2XE446	PARGN	471570!	3001771	CUMMI	5223
2D757	WHITE	473462	2J8333	CATER	471224!	2XE446A	PARGN	472924!	3001772	CUMMI	39823
2D8540	CATER	415035!	2J8952	CATER	417596	3-002403	CALI	415234!	300178	CURTS	473214!
2D9469	CATER	417316=	2J9472	CATER	240816	3-014300	CALI	470354	30018130	GMC	710394
2D9870	CATER	471733	2JG12	KEN	470059	3-037500	CALI	415034!	300186	CURTS	470625!
2E392520227	IH	471567!	2JG12	KEN	470380!	3-055600	CALI	455536	300194	CURTS	471413!
2E3925207	IH	416654!	2JG20	KEN	417316=	3-056600	CALI	417433	3002	ALLCH	472397!
2EP40M317343	CINMI	410496!	2JG39	KEN	416654	3-056800	CALI	415036	3002	BUC-E	472397!
2F3723	CATER	471103!	2JG41	KEN	417484!	3-056802	CALI	415036	3002	C-R	472397!
2F5885	CATER	415085!	2K1382	CATER	456890	3-057000	CALI	416892!	3002	CABOT	472397!
2F5885	CATER	456648	2K1382	TRACN	456890	3-057800	CALI	7354N	30020004	TROS	472397!
2F6678	CATER	471231!	2K1383	CATER	417254	3-066600	CALI	412943	30020006	TROS	472397!
2F6781	CATER	350435	2K1383	TRACN	417254	3-066800	CALI	416008	30020008	TROS	472397!
2F6782	CATER	472705!	2K1384	TRACN	416865!	3-067000	CALI	416107!	30020405	TROS	6954S
2F687	MTR-C	J1128	2K3881	CATER	471267!	3-067000	CALI	455073	300207BGO	SPG	300207
2F7426	CATER	471281!	2K4816	CATER	471529	3-075100	CALI	415294!	30020805C	TROS	8430S
2F8200	CATER	472185!	2K6983	CATER	450307	3-228	TW-CO	417507	30020808	TROS	472015!
2F9538	MURRA	55218=	2K7140	LEYLD	1110	3-228	TW-CO	417507!	30020936	GMC	710522
2F9560	MURRA	415991	2K8047	CATER	416921!	3-4-783	SPICE	472397!	300210BG3	SPG	300210
2F9560	MURRA	455146!	2K9059	CATER	416476!	3-SPC22	NOVO	474264	30021203.5	TROS	9195S=
2F9560	NATEN	415991	2K9150	CATER	417316	3-Y393	KEN	471141!	30021607	TROS	471272!
2F9560	NATEN	455146!	2L1016	HU-WR	417546!	3-Y569	KEN	472409!	30021608	TROS	471272!
2F9760	CATER	471762!	2L1047	HU-WR	417357!	300	UNIVE	417487	30022	C-R	472012
2FB138	WHITE	411500	2L1047	HU-WR	455192!	300-463-1	SPICE	711552	30022004	TROS	442874
2FT90	OSHKO	415991	2L1392	HU-WR	417357	30000	C-R	417351!	30022106.5	TROS	3945
2H1663	CATER	471785!	2L8635	CATER	471281!	300004	CURTS	471224!	300221X06.5	TROS	3945
2H1746	CATER	471413	2LA-0662	WHITE	471554!	300007	H-S	450593!	300221X06.5C	TROS	3945
2H2212	CATER	330385!	2LG6700	FORD	350936	30001	C-R	417351!	300228	CURTS	471958
2H3823	CATER	473462	2M482	FMC	415449!	30003	JN-MN	730004	30022M1	C-R	472012
2H3823	TRACN	473462	2M5965	CATER	416624	300064	CATER	J1141	30023	C-R	417487
2H3824	CATER	415001!	2M7316	CATER	471466!	300064	TMTR	J1141	300230	GR-DV	416654!
2H3830	CATER	471141!	2M7316	FI-AL	471466!	300066	CATER	473232!	30023204	TROS	40555
2H3830	TRACN	471141!	2M8216	CATER	474281!	300066	TMTR	473232!	30023204	TROS	40555S!
2H3843	CATER	470898	2M8675	CATER	471649!	300067	CATER	473224!	3002356	CUMMI	39827
2H3843	TRACN	470898!	2N4251	FORD	417316!	30006767	GMC	1188	300235601	CUMMI	39827
2H3844	CATER	473227	2N4251X	FORD	417316!	30006767	GMC	4904	30023667	GMC	710522
2H3846	CATER	472157!	2P3857	CATER	J1880*=	30007	C-R	100495	30024	C-R	472015!
2H3846	CATER	472157	2P3858	CATER	J1825	30007	C-R	4810V!	30024	CABOT	472015!
2H3846	TRACN	472157!	2P3859	CATER	J1780	3000770	HYST	473237!	30024	GEHL	472015!
2H3846	TRACN	472157	2P8423	CATER	471138!	300078	O-M	481443!	3002400	CALI	415234!

! Industrial Size/Type * Minor Width Difference

= The U.S. customer service number is 877-4-TIMKEN. The Canadian customer service numbers are 800-565-4927 (English) and 800-565-0438 (French-Canadian).

Mfr. No.	Name	Zero Duplication or Recommended Industrial	Mfr. No.	Name	Zero Duplication or Recommended Industrial	Mfr. No.	Name	Zero Duplication or Recommended Industrial	Mfr. No.	Name	Zero Duplication or Recommended Industrial
300244	C-W	412861	30055	C-R	417487	300A16008	TROS	473460	301210	CLARK	417267
300244	CURTS	412861	30055	SPG	473215!	300A2	C-R	470530!	301211	CLARK	45827S
30024B63	CABOT	472015!	3005592	HYST	227550	300A20006	TROS	470530!	30123	C-R	455019!*
30024M1	C-R	472015!	30057	C-R	417487!	300A20008	TROS	470530!	301234C	OLIVE	471224!
30025	C-R	417487	3005885	CUMMI	39715	300A20010.5	TROS	470530!	301234E	MINNM	471224!
30026	C-R	472018	3005887	CUMMI	39815	300A20012	TROS	470530!	301234E	OLIVE	471224!
300269	CURTS	455019!	3005887	CUMMI	5223	300A20808	TROS	473467	30125	C-R	455019!*
30026M1	C-R	472018*	30059	SPG	470380!	300A20812	TROS	473467!	301257	CLARK	418029!
30026Q6	C-R	472018*	3005OS	JN-MN	416921!	300A21208	TROS	472234	30128	SPICE	50402
30027	C-R	417487!	30060	C-R	415962*	300A21607	TROS	471341!	3012898	GW	416476!
30027	C-R	417487!	30060	GARLK	471442!	300A21608	TROS	471341!	30129	C-R	455019!
30027	MALL	471224!	30061	ALLCH	417171!	300A21612	TROS	471341!	30130	C-R	455019!
30027	SPG	471554!	30061	C-R	417487	300AM2	C-R	470530!	301317	WHITE	418028
30028	C-R	471272!	3006236	CUMMI	99437	300B130	C-R	472394	301317	WHITE	455137!
300285	CURTS	473228!	3006237	CUMMI	99601	300B15606	TROS	6547	30131718	ALLCH	415960
30028M1	C-R	471272!	30064	C-R	415962	300C14708	TROS	6818	301331R91	IH	352541
3002M1	C-R	472397!	3006557	CUMMI	99210	300F28	C-R	471272!	301332R91	IH	352541
30031	C-R	417487	30066	SPG	473367	300FM124	C-R	471984*	301333R91	IH	352541
30031	C-R	417487!	3006642	GW	471141!	300FM28	C-R	471272!	3013347	CUMMI	944379
300319	CURTS	471744!	30067	C-R	417488!	300G126	C-R	40555	301334R91	IH	472179
3003239	CUMMI	JX1158=	30067	SPG	473228!	300G126	C-R	40555S!	301335R91	IH	470712!
3003272	HYST	442507	3006736	CUMMI	415937	300G2	C-R	40301S	30135	SPG	471192
30033	C-R	417487	3006737	CUMMI	39807	300G28	C-R	40520S	301351	CLARK	473227
3003353	CUMMI	39713	3006738	CUMMI	39823	300HM216	C-R	40555	301352	CLARK	471649!
3003353	HYST	40566S	3006739	CUMMI	39723	300HM216	C-R	40555S!	30140	C-R	712000
300343	CURTS	473197	3006740	CUMMI	99399	300N130	C-R	472394	3014302	CALI	470354
30035	C-R	417487!	3006741	CUMMI	99475	300N24	C-R	472015!*	30143796	ALLCH	416282
30035	C-R	417487	3006742	CUMMI	99362	300RC	SUL	416107!	30144	C-R	3592
3003572	HYST	40433S	3006743	CUMMI	99599	300RC	SUL	455073	30144349	ALLCH	415725!
30036	C-R	417487	3006744	CUMMI	99372	300W120	C-R	414268!	30145	C-R	100263
30037	C-R	417487	30068	C-R	417488!	300W124	C-R	471984	30145	C-R	3905
3003862	HYST	493524	30069	SPG	473232!	300W124-M1	C-R	471984	30147	C-R	710008
300387	UNIVE	417350!	30070	C-R	417488!	300W128	C-R	473239	30148	C-R	710008
3003877	CUMMI	39705	30070	SPG	472185!	300W128-M1	C-R	473239	301487	O-M	471264!
3003878	CUMMI	39701	30071021	ALLCH	415449!	300W130	C-R	472394	301495	AMC	240009
300388	MICH	417350!	30071609	ALLCH	472924!	300W130-M1	C-R	472394	30150	MICH	471571
3004	LABEQ	473454	30072	GARLK	471526!	300W2	C-R	472397!	30153	C-R	100263
30040	C-R	417487	30073886	ALLCH	473460	300W2-M1	C-R	472397!	30153	C-R	4562V
300400	CURTS	471424!	3007466	GW	473215!	300W22-M1	C-R	472012	301532R1	IH	472164!
300400	MICH	415995!	3007497	ALLCH	415498	300W24-M1	C-R	472015!	301532R91	IH	472164!
300400	UNIVE	415995!	30074975	ALLCH	415498	300WL130-M1	C-R	472394	301569C91	IH	416500
300412	UNIVE	417351!	3007498	ALLCH	450143	300WL24-M1	C-R	472015!	30162	MICH	471647
300413	MICH	417351!	30076	C-R	417488!*	301-SA477	B-L-H	55228=	30162	UNIVE	471647
300424	UNIVE	417487	30077	GW	450065	301-SA799	B-L-H	455008	30163	SPG	471766!
300425	MICH	417487	3007723	ALLCH	450313	30100	C-R	415088	3016660	CUMMI	36384
3004256	HYST	413247!	30078	C-R	417488!	301013	CATER	472164!	3016788	CUMMI	470898
3004257	HYST	451160N=	30081	GARLK	471472!	301013	TMTR	472164!	3016789	CUMMI	470898
3004302	HYST	474254	30083	C-R	415088	301014R91	IH	470506!	3016792	CUMMI	39849
3004303	HYST	473439	30083S	SPG	472924!	30101695	ALLCH	416556!	3016793	CUMMI	39701
3004306	HYST	40438S	30084	C-R	415088	30101695	ALLCH	472157	3016794	CUMMI	473517
3004307	HYST	471765!	300845C91	IH	3894V	301017	CATER	J1130	30168	UNIVE	50419*
3004316	CUMMI	472409	30085	SPG	470530!	301017	TMTR	J1130	3016S	SPG	3016
3004316	CUSH	472409	3008506LPD	JN-MN	417488!	30101N	SPG	412119	30170344	ALLCH	415991
3004317	CUMMI	415937	30087	C-R	415088	30102	JOHND	472354!	30170344	ALLCH	455146!
300437	UNIVE	417488!	30087	C-R	415088!	301028R91	IH	416404!	30173	SPICE	40185
300438	MICH	417488!	30089	C-R	415088	301032R91	IH	416664!	301732	SPICE	40185
3004546	HYST	447793	30089	C-R	415088!	3010457	CUMMI	417621	301733	SPICE	40185
3004548	HYST	J1141	30090	C-R	415088	3010459	CUMMI	39837	30175	MICH	472951
3004726	HYST	416557	300916	WHITE	472636!	3010462	CUMMI	39817	30175	MICH	474252
3004731	HYST	415458!	30095	C-R	415088*	3010463	CUMMI	39817	30175	UNIVE	472951
3004786	HYST	474272	30096	C-R	415088	3010464	CUMMI	99311	30175	UNIVE	474252
3004787	HYST	415389	30096	C-R	415088!	3010465	CUMMI	99367	30182	UNIVE	450039
3004790	HYST	471272!	3009625	CUMMI	470954	30108	C-R	200133	30183	MICH	450339
3004795	HYST	325940=	30097	C-R	415088!	3010945	CUMMI	314259!	30183N	SPG	472179
30049	C-R	417487*	30097	C-R	415088	30110PN3006	ACURA	427RR	30184345	ALLCH	415379!
30049	C-R	417487	30098	C-R	415088*	30112	C-R	55548	30184345	ALLCH	415379!
300491	CURTS	471760	30099	SPG	411253!	30113	C-R	455820	3018584	B-L-H	415551
3004985	HYST	472157	300A15604	TROS	450084!	30116	C-R	455019!*	301917	O-M	427RR
300499	UNIVE	455019!*	300A15607.75	TROS	450084!	30117	C-R	455019!*	301923R91	IH	415991!
300500	MICH	455019!	300A15608	TROS	450084!	301177C91	IH	417484!	301923R91	IH	415991!
3005041	GW	412871!	300A15610	TROS	450084!	301181	HYST	470954!	3019600	CUMMI	39867
30055	C-R	417487!*	300A15610.5	TROS	450084!	30121	GEM	480210!	30199	WAYNE	470409!

! Industrial Size/Type * Minor Width Difference

= The U.S. customer service number is 877-4-TIMKEN. The Canadian customer service numbers are 800-565-4927 (English) and 800-565-0438 (French-Canadian).

NUMERICAL INTERCHANGE

Mfr. No.	Name	Zero Duplication or Recommended Industrial	Mfr. No.	Name	Zero Duplication or Recommended Industrial	Mfr. No.	Name	Zero Duplication or Recommended Industrial	Mfr. No.	Name	Zero Duplication or Recommended Industrial
30199	WAYNE	50409	301SJ175	B-L-H	472157	301ST477	B-L-H	417538	30283	PEERC	473016!
301991	O-M	340787	301SJ175	CLARK	472157	301ST477	CLARK	417538	30283	SPG	473179!
301B2	C-R	472397!	301SJ175	CLARK	472157!	301ST522	CLARK	55333=	302837	PEERC	472179
301B24	C-R	472015!	301SJ262	B-L-H	415645!	301SU162	B-L-H	416666	3028697	ALLCH	410308
301SA162	B-L-H	415116	301SJ262	B-L-H	455104	301SU175	B-L-H	415960!	30286975	ALLCH	410308
301SA175	B-L-H	417562	301SJ347	B-L-H	416077	301SU262	B-L-H	471341!	30287403	ALLCH	471224!
301SA175	CLARK	417562	301SJ347	CLARK	416077	301SU347	B-L-H	55268	30280S	JN-MN	473444
301SA262	B-L-H	416865!	301SJ477	B-L-H	471647	301SU347	CLARK	55268	302912R91	IH	415437!
301SA347	B-L-H	417210!	301SJ522	CLARK	55239=	301SU477	B-L-H	417492	302913R91	IH	455040N=
301SA485	B-L-H	340413	301SJ650	B-L-H	417606	301SU522	B-L-H	417298	302957	GWJ	323138!
301SA521	B-L-H	415995!	301SK175	B-L-H	416364!	301SU650	B-L-H	473444	30290S	JN-MN	472572!
301SA522	B-L-H	416239!	301SK175	CLARK	416364!	301W126	C-R	7044NA	302G128	C-R	6547
301SA522	CLARK	416239!	301SK262	B-L-H	455584	301Z128	C-R	473239	302G22	C-R	6954S
301SA650	B-L-H	455019!	301SK347	B-L-H	415991	301Z2	C-R	472397!	30300S	SPG	472394
301SA822	B-L-H	J1136	301SK347	B-L-H	455146!	302	UNIVE	417171!	30301	SPG	472397!
301SB162	B-L-H	417602!	301SK347	CLARK	415991	302002426	WHITE	472164!	303026477	WHITE	416229
301SB175	B-L-H	416891!	301SK347	CLARK	455146!	302002442	WHITE	473237!	303067785	WHITE	416404!
301SB175	CLARK	416891!	301SK477	B-L-H	417512	302002698	WHITE	472164!	303076520	WHITE	472179
301SB262	B-L-H	476470	301SK522	B-L-H	417601	30201	GARLK	471466!	303078124	WHITE	472439
301SB347	B-L-H	417567	301SK522	CLARK	417601	302012	CLARK	471442!	30308	NATL	410308
301SB347	CLARK	417567	301SK650	B-L-H	416476!	3020182	CUMMI	39705	30300S	JN-MN	473236!
301SB477	B-L-H	472924!	301SK650	CLARK	416476!	3020183	CUMMI	415937	303104478	WHITE	417357
301SB485	B-L-H	340927	301SL162	B-L-H	417600	3020184	CUMMI	39723	303113221	WHITE	240733
301SB485	CLARK	340927	301SL175	B-L-H	416229	3020185	CUMMI	472409	303119351	WHITE	471652!
301SC162	B-L-H	417158!	301SL175	CLARK	416229	3020187	CUMMI	472409	303119351	WHITE	471652
301SC175	B-L-H	415027	301SL262	B-L-H	416125!	3020188	CUMMI	50569	303131173	WHITE	471272
301SC175	B-L-H	415027!	301SL262	CLARK	416125!	3020190	CUMMI	50568	303134008	WHITE	417254
301SC175	CLARK	415027	301SL347	B-L-H	473460	3020191	CUMMI	39723	3031445	CUMMI	39867
301SC175	CLARK	415027!	301SL477	B-L-H	471413	3020546	CUMMI	417621	3031446	CUMMI	39875
301SC262	B-L-H	415867	301SL522	B-L-H	417549!	3020547	CUMMI	39817	30318	STN-S	470954
301SC347	B-L-H	471766!	301SM175	B-L-H	415124	30208	CHERY	471765!	303189	REX	470625!
301SC477	B-L-H	415023	301SM175	CLARK	415124	302088	CLARK	471413	3031A	DURA	471231!
301SC485	B-L-H	340787	301SM262	B-L-H	412473!	30210538	ALLCH	471224!	3031AA	DURA	473236!
301SC485	CLARK	340787	301SM347	B-L-H	417596	30210652	ALLCH	417344=	3031BB	DURA	471267!
301SC522	B-L-H	415187	301SM477	B-L-H	471424!	30213	GARLK	471264!	3031D	DURA	450039
301SC541	B-L-H	416288!	301SM522	CLARK	417605	3022	PEERC	472705!	3031F	DURA	471649!
301SC983	CLARK	415725!	301SM650	B-L-H	417196!	3022043	ALLCH	415960	3031J	DURA	476838!
301SD162	B-L-H	455576!	301SN175	B-L-H	473228	302232R91	IH	472560N	3031K	CASE	471763
301SD162	CLARK	455576!	301SN262	B-L-H	412119!	302238	CLARK	471192	3031K	DURA	471765!
301SD175	B-L-H	416345!	301SN477	B-L-H	457585	30225	GARLK	471255!	3031N	DURA	471766!
301SD175	B-L-H	455033	301SN522	CLARK	417191	302292E	OLIVE	471692!	3031T	CASE	473010
301SD175	CLARK	416345!	301SN522	CLARK	456585	302293E	OLIVE	473231!	3031T	DURA	473234
301SD175	CLARK	455033	301SO522	B-L-H	415187	3022QOS	JN-MN	471255!	3031W	CASE	472185!
301SD262	B-L-H	415938	301SP175	B-L-H	416888!	30237	GARLK	471564	3031W	DURA	40071S
301SD347	B-L-H	416339	301SP175	CLARK	416888!	3023867	CUMMI	39825	3031WA	OSHKO	415960
301SD347	B-L-H	455031!	301SP262	B-L-H	415196!	302386701	CUMMI	39825	3031Z	DURA	473016!
301SD477	B-L-H	471646!	301SP262	CLARK	415196!	3023OS	JN-MN	471762!	3032012	CUMMI	37586
301SD485	B-L-H	340356	301SP347	B-L-H	472144!	302412	UNIVE	55155=	3032013	CUMMI	37586
301SD485	CLARK	340356	301SP347	CLARK	472144!	302413	MICH	55155=	303217C91	IH	40185
301SE175	B-L-H	415116	301SP650	CLARK	415991	302425	MICH	455015	303223795	WHITE	472636!
301SE262	B-L-H	415551	301SP650	CLARK	455146!	302425	UNIVE	455015	303228738	WHITE	415960
301SE347	B-L-H	417556	301SR162	B-L-H	416654!	302459R91	IH	471224!	303228746	WHITE	471138!
301SE347	CLARK	417556	301SR175	B-L-H	415090	30246201	ALLCH	412119	303239	CONTI	470625!
301SE477	B-L-H	55030	301SR175	CLARK	415090	30246458	ALLCH	472439	303251	REX	471210!
301SE522	B-L-H	472185!	301SR262	B-L-H	472560N!	30246540	ALLCH	417967!	303262	REX	473237!
301SF175	B-L-H	417020	301SR347	B-L-H	473225!	30246920	ALLCH	473238	303283844	WHITE	471224!
301SF262	B-L-H	415072	301SR477	B-L-H	473313	30247290	ALLCH	455330!	303291251	WHITE	443527*=
301SF347	B-L-H	470605!	301SR522	B-L-H	415995!	302495	O-M	471264!	303291278	WHITE	471272
301SF347	CLARK	470605!	301SS162	B-L-H	416332!	3024OS	JN-MN	471763*	3032SR	OSHKO	473215!
301SF477	B-L-H	455462	301SS175	B-L-H	415437	302500	MICH	455020	303302466	WHITE	417344=
301SF522	B-L-H	415482	301SS175	B-L-H	415437!	302564	O-M	481443!	303331849	WHITE	471272=
301SF541	B-L-H	415991	301SS262	B-L-H	416107!	3025OS	JN-MN	471766!	303341186	WHITE	415085!
301SF541	B-L-H	415991!	301SS262	B-L-H	455073	3026	CLIN	254287	303349691	WHITE	415559
301SF650	B-L-H	416892!	301SS262	CLARK	416107!	302640	CLARK	411376!	303353C91	IH	473243
301SH175	B-L-H	415001!	301SS262	CLARK	455073	3026OS	JN-MN	473212!	303359425	WHITE	417509
301SH262	B-L-H	55242	301SS347	B-L-H	416892!	3027675	CUMMI	39877	303360	O-M	420
301SH347	B-L-H	415007	301SS477	B-L-H	415449!	3027680	CUMMI	39879	30338461	ALLCH	471442!
301SH347	CLARK	415007	301SS522	B-L-H	415077	30277	SPICE	6808N	30341	CHERY	415001!
301SH477	B-L-H	415036	301ST175	B-L-H	415379!	30277099	ALLCH	417316=	303420280	WHITE	476389=
301SH522	CLARK	455330!	301ST175	B-L-H	415379	3027OS	JN-MN	473010	30346	CHERY	471785!
301SH650	B-L-H	417543	301ST262	B-L-H	417273	3028	NATL	473179	30348	SPICE	40316S
301SJ175	B-L-H	472157!	301ST347	B-L-H	473238	302825E	OLIVE	471554!	30348536	ALLCH	471224!

! Industrial Size/Type * Minor Width Difference

= The U.S. customer service number is 877-4-TIMKEN. The Canadian customer service numbers are 800-565-4927 (English) and 800-565-0438 (French-Canadian).

Mfr. No.	Name	Zero Duplication or Recommended Industrial	Mfr. No.	Name	Zero Duplication or Recommended Industrial	Mfr. No.	Name	Zero Duplication or Recommended Industrial	Mfr. No.	Name	Zero Duplication or Recommended Industrial
30348833	ALLCH	470530	30431100	ALLCH	417967!	3051	FMS	3051N	30628M1	C-R	473473*
30349583	ALLCH	415984!	304350	ALLCH	470954	3051	PEERC	450129	3062900	CALI	416167!
30349591	ALLCH	412119!	3044	C-R	340826	3051	PEERC	472826!	3062M1	C-R	473463
30350	C-R	55276=	304400	MICH	416404!	305110	O-M	474278!	3063	SNFLW	204035
30350839	ALLCH	472636	304400	UNIVE	416404!*	305110	O-M	6859S	306335R91	IH	470625!
30350847	ALLCH	415104N=	304412	UNIVE	417621!	305115	JAC	450557	306336R91	IH	470625!
30352S	SPG	472164!	304413	MICH	417621!	305115	JAC	471255!	306346R91	IH	441130
30359	SPG	473448	304418C91	IH	3016	3051237	ALLCH	415991	306392	Y-T	473467!
3036	C-R	8X14X4!	304418C91	IH	456052	3051237	ALLCH	415991!	306424	UNIVE	456105
3036	C-R	8X14X5!*	304424	UNIVE	416288!	305128R91	IH	471570!	306425	MICH	456105
30360	C-R	355669	304425	MICH	416288!	305132-C92	IH	HU028A	306437	UNIVE	417490
30360	CHERY	471750!	304437	UNIVE	417171!	305133-C1	IH	730001	306438	MICH	417490
303600686	REX	473179!	304438	MICH	417171!	305149	O-M	481443!	306449	UNIVE	455336*
30367	SPICE	7245	30444095	ALLCH	471224!	30519	SPG	471271!	306450	MICH	455336*
30367	VIC	7245	304445	GWI	5711	305207A	HARWA	30X52X7	30648	C-R	55141
303723R91	IH	415458=	304446	EATON	370119A	305268	GWI	254287	306500	MICH	455022
303737A	TRSCM	417349	304450	GWI	415991	305269	WHITE	416288	30652	C-R	55141
30373VTB	TRSCM	476023N	304450	GWI	455146!	30531	DIVCO	6547	30653	C-R	415088!
303747A	TRSCM	417349!	304450	UNIVE	417172*	305366	GWI	416476!	30653	C-R	415088
30376107	ALLCH	471649!	304451	GWI	416167!	305387-C1	IH	415072	3066	PEERC	450039
30377444	ALLCH	471692=	304452	GWI	470954	305439	JAC	481073	30662	SPICE	417480!
30378	WHITE	5951	30446	GARLK	471554!	30544	PEERC	417604	30666S	SPG	450666
303783	WHITE	5951	30448	GARLK	471643!	3054HCR	SPG	417360	3067100	CALI	55103S
30379	VERSA	370119A	304499	UNIVE	415021*	30550	C-R	55155=	306711	AMC	471504!
3037969	ALLCH	417487!	304500	MICH	415021	30551	C-R	55155=	30678	GARLK	471267!
3037969	ALLCH	417487	3045043	ALLCH	45187S	3056401	CALI	415219	30670S	JN-MN	474264
30379812	ALLCH	471272	3045101	IG-RA	415995!	3056501	CALI	416154!	306804	AMC	473211!
30379903	ALLCH	473238=	304525	MICH	415394*	30565360	ALLCH	2505	30684	AMC	471255!
3037T2	WHITE	240733	30454SA	TRSCM	415088!	3056803	CALI	415036	30684	GMC	471267!
30386759	ALLCH	473231!	30454TA	TRSCM	415088	3057	PEERC	471137	30687	GARLK	471570!
30389	SPG	472492!	30458	GARLK	471567!	30571	C-R	55155=	3068800	CALI	416008
3038997	CUMMI	471795=	3046311	SPICE	471272!	30574	CASE	40494S	30693	C-R	455020
3038998	CUMMI	472758V	304632	SPICE	473214	305834	GWI	472409!	306994	AMC	42763
3038999	CUMMI	471267	304632C91	IH	472705!	305845	GWI	416865!	306AHS28-L	C-R	473473
3038D	GOODM	415379	304633	SPICE	471272!	30585	PEERC	418028	306FF22	C-R	450307
3038D	GOODM	415379!	304634	SPICE	471466!	30585	PEERC	455137!	306FF28	C-R	473473*
3039	PEERC	450033	304636	SPICE	470954	305902	GWI	472439	306FF2L	C-R	5113
30394	SPG	473227!	304636-2	SPICE	470954!	30591	C-R	455734=	306FF2L	C-R	7721!
303HS210-L	C-R	5585	304637	SPICE	471272!	30592	C-R	455734=	306J	OSHKO	472185!
303VB7	MARI	415995!	304638	SPICE	8421S	305925	AMC	9613S	306LC22-M1	C-R	450307
304	UNIVE	418028	30468	CHERY	411253!	305926	GWI	472157!	306N24	C-R	410308
304	UNIVE	455137!	3047201	CALI	455330!	305926	GWI	472157	306R219	C-R	5957S
30400543	ALLCH	470565!	3047209R1	NAVST	420	305FF28	C-R	473473	306R219-Y12	C-R	5957S
3040062	ALLCH	415327	304720R1	NAVST	420	305FM24	C-R	410308!*	306VB7	MARI	415027
30400626	ALLCH	415327	304736	JAC	450398	305M215-L	C-R	350942	306VB7	MARI	415027!
30401194	ALLCH	415551	304736	JAC	471267!	305VB7	MARI	415023	306W120	C-R	450335
304026	JA-MI	417316!	3047402	CALI	415577	306	UNIVE	417354!	306W122	C-R	470086
304026	JAE	417316!	30477	NAPCO	473228!	3060	C-R	240698	306W124	C-R	473313
30402VH	TRSCM	45013S	3047701	CALI	415295	306120	C-R	450335	306W124-M1	C-R	473313
30404	STAR	J1106	3047900	CALI	415960!	306122	BUC-E	470086	306W128	C-R	473457!
304046	PEERC	471765!	3047901	CALI	415960!	306122	C-R	470086	306W130	C-R	473461!
30404SA	TRSCM	415995	304816C91	IH	416921!	306124	C-R	473313	306W2	C-R	473463
304047A	TRSCM	415995!	304831R91	IH	323138!	306124	HU-WR	473313	306W2-M1	C-R	473463
3040805M1	MASSE	417349!	304832R91	IH	323138!	306124M1	C-R	473313	306W22	C-R	450307
30409239	ALLCH	471341!	30487342	ALLCH	417316=	306128	C-R	473457!	306W22-M1	C-R	450307
3040D	GOODM	416339	30488	GARLK	471643!	306128M1	C-R	473457!	306W24	C-R	410308!
3040D	GOODM	455031!	30488357	ALLCH	410737!	306130	BUC-E	473461!	306W24-M1	C-R	410308!
3040F	GOODM	416339	3048ALA83	IH	471192	306130	C-R	473461!	306W28	C-R	473473*
3040F	GOODM	455031!	3048P-ALA-100	IH	470954!	306130M1	C-R	473461!	307-0713	STEM	370036A
30413	GWI	471750!	3048P-ALA-63	IH	472164!	3061H	SPG	3061H	307-0713	STEM	370349A
30414	GWI	471747!	3049464	CUMMI	39869	3061HC	SPG	3061H	307-0723	STEM	370065A
30420007	TROS	473463	3049467	CUMMI	39865	3061VG0	SPG	3061V	307-0723	STEM	376590A
30420408	TROS	450307	3049468	CUMMI	39861	3062	BUC-E	473463	307-0743	STEM	386025A
30420808	TROS	410308!	3049485	GM	35342	3062	C-R	473463	307-0743	STEM	416158
30420811	TROS	410308	304967	WHITE	5751	306212	C-R	473474	307-0744	STEM	370037A
30420812	TROS	410308!	304981	JAC	471652	306212M1	C-R	473474	307-0744	STEM	370338A
30421208	TROS	473471	304986	WHITE	473215!	30622	C-R	450307	307024	AMC	5778
30421607	TROS	473473	304B23109	TROS	5957S	30622M1	C-R	450307	30705	GARLK	471633!
30421608	TROS	473473	304N2	WHITE	473462	30624	C-R	410308!	307073C91	IH	471267!
30424SA	TRSCM	417487!	304VB7	MARI	417487	30624M1	C-R	410308!	30700S	JN-MN	411394!
30427	GARLK	470954!	3050	C-R	240698	30628	C-R	473473*	30710	C-R	78X95X10
3042826	ALLCH	8907	3050TA	OSHKO	5751	30628K	CLARK	473473	307109	JAC	472319

! Industrial Size/Type * Minor Width Difference

= The U.S. customer service number is 877-4-TIMKEN. The Canadian customer service numbers are 800-565-4927 (English) and 800-565-0438 (French-Canadian).

NUMERICAL INTERCHANGE

Mfr. No.	Name	Zero Duplication or Recommended Industrial	Mfr. No.	Name	Zero Duplication or Recommended Industrial	Mfr. No.	Name	Zero Duplication or Recommended Industrial	Mfr. No.	Name	Zero Duplication or Recommended Industrial
307121	GW	471267!	308510	JAC	470954!	30A2801	MINNM	40301S	31040	GARLK	471733
30715	CARQU	25598	308548	AMC	471787	30A514	MINNM	481792	3104085	WHITE	415991
30715	GARLK	471646!	3086279	CUMMI	100154	30A515	MINNM	470712!	3104085	WHITE	415991!
30715608	TROS	7216	308677R93	IH	5364=	30P514	MINNM	471835!	310413SL	MICH	455500
3071643	CUMMI	934023	308719	JAC	471224!	30PS462	C-P	416476!	310424	UNIVE	416292
30720	CARQU	35094	308731	JAC	472311!	30T811	CLARK	410059	310425	MICH	416292
307239	O-M	425RR	3088	C-R	8X22X7V	30T811	CLARK	470380!	310437	UNIVE	417491
30725	C-R	78X100X10	308811	JAC	471571	30X40X7SB	TRSCM	1129	310438	MICH	417491
30725	CARQU	35316	308986	ACF	470530!	30X40X7SB	TRSCM	30X40X7!	310449	UNIVE	415085!
3072V	SPG	471281	308B14408	TROS	470687	30X40X7SC	TRSCM	30X40X7!	310449	UNIVE	456648
30730	GARLK	470590	308VB7	MARI	416339	30X40X7TC	TRSCM	30X40X7!	310450	MICH	415085!
30737S	SPG	410737!	308VB7	MARI	455031!	30X42X7SC	TRSCM	30X42X7!	310450	MICH	456648
3073OS	JN-MN	410737!	309-0903	STEM	416892	30X42X7TC	TRSCM	30X42X7!	3104650	ALLCH	J1105
30740	C-R	78X105X10	309-0904	STEM	415058	30X44X7SC	TRSCM	30X44X7!	3104651	ALLCH	473238
30740	CARQU	35315	309-0912	STEM	370023A	30X44X7TC	TRSCM	30X44X7!	3104652	ALLCH	473238
3074482	CUMMI	471795=	309-0935	STEM	370047A	30X45X5SC	TRSCM	30X45X5!	310500	MICH	455024
3074BA	SPG	471466	309-0957	STEM	417506	30X45X5TC	TRSCM	30X45X5!	310507R91	IH	470565=
3074V	SPG	471466	309-0960	STEM	370005A	30X45X8SC	TRSCM	30X45X8!	310508R91	IH	473467=
307557	GW	471766!	309-0961	STEM	370030A	30X45X8TC	TRSCM	30X45X8!	310509R91	IH	415995!
3075BA3	SPG	470954=	309-0964	STEM	370021A	30X46X7SC	TRSCM	30X46X7!	310510R91	IH	417344
30760	C-R	78X110X10	309-0965	STEM	370019A	30X46X7TC	TRSCM	30X46X7!	310511R91	IH	412473
307615	WHITE	473215!	309-0970	STEM	370006A	30X47X7SC	TRSCM	30X47X7	310512R91	IH	415449=
3076203	CUMMI	100518	309-0973	STEM	370003A	30X47X7TC	TRSCM	30X47X7	310514R91	IH	3893V!
30769	CARQU	35486	3090	C-R	50883=	30X47X8TC	TRSCM	223020	310514R91	IH	415379!
3077	C-R	220818	309007	H-S	450593!	30X48X8SC	TRSCM	30X48X8	310515R91	IH	415458
3077	C-R	8X18X5	309013	FREIG	416339	30X48X8TC	TRSCM	30X48X8	310516R91	IH	415437
3077	C-R	8X18X7!	309013	FREIG	455031!	30X50X7SC	TRSCM	30X50X7	310517R91	IH	455040N=
30770	C-R	78X115X10	3090915	STEM	417505	30X50X7TC	TRSCM	30X50X7	310518R91	IH	455685N=
30771	C-R	710090	3090948	STEM	370069A	30X50X8SC	TRSCM	30X50X8	310522R91	IH	473467=
30772	C-R	710106	3090948	STEM	380069A	30X50X8TC	TRSCM	30X50X8	3105234	AMC	471141!
307739	AMC	410059	3091	C-R	50883=	30X52X7	FORSH	30X52X7	3105234R91	IH	415995!
307739	AMC	470380!	309128R91	IH	441130	30X52X7	SIMRT	30X52X7	310524R91	IH	417344
307824R91	IH	470565=	3092	C-R	8X22X7V	30X52X7SC	TRSCM	30X52X7	310525R91	IH	412473!
307882R91	IH	441130	309209	AMC	471504!	30X52X7TC	TRSCM	30X52X7	310526R91	IH	415449=
307968R91	IH	412920!	309254C91	IH	415035	30X55X10SC	TRSCM	30X55X10	310528R91	IH	415379=
307975	WHITE	5M867	30927	IDEAL	35127	30X55X10TC	TRSCM	30X55X10	310529R91	IH	415458=
307VB7	MARI	55028	30928	CARQU	25598	30X55X7BS	ISP	30X55X7	310531R91	IH	455040N=
308	UNIVE	415437	30929	CARQU	35327	30X56X8SC	TRSCM	30X56X8	310532R91	IH	455685N=
308	UNIVE	415437!	309323-C91	IH	370023A	30X56X8TC	TRSCM	30X56X8	3105459	AMC	471344
308-0836	STEM	370001A	30932D	IH	473238	30X62X7SC	TRSCM	30X62X7	310550R91	IH	417357
308-0853	STEM	370124A	309372	JAC	240733	30X62X7TC	TRSCM	30X62X7	310550R91	IH	455192!
308-0856	STEM	370131A	3094	C-R	712022	30X72X10SC	TRSCM	30X72X10	310599	O-M	471571
308-0863	STEM	370132A	309457	AMC	473234	30X72X10TC	TRSCM	30X72X10	310622	JAC	471267!
308-0864	STEM	380048A	3095278	CUMMI	100352	30X72X7BS	ISP	30X72X7	310625	ACF	470334!
308070	JAC	471539!	3095349	CUMMI	100196	31-2634100	WHITE	J1127	310625	H-S	470334!
308079	JAC	471539!	309612	H-S	470059	310	UNIVE	417355!	310625	JAC	476838!
308160	ACF	474281!	309612	H-S	470380!	310-1034+320-2216	STEM	370011A	3106297	WHITE	730026
308160	H-S	474281!	3096478	CUMMI	100253	310-1079+320-2009	STEM	370173A	3106298	WHITE	HU012A
30816008	TROS	471391!	3096479	CUMMI	100254	310-1117	STEM	AR22	3106480	AMC	471619!
30820008	TROS	473242	3096480	CUMMI	100252	3100	C-R	350364	3106565	WHITE	472164!
30820807	TROS	472016	309737	AMC	471787	31004	GARLK	471224!	3108127	WHITE	471466=
30820808	TROS	472016	309745	H-S	471554!	310099	HYST	204029	3108650-R91	IH	473238
308214	GW	55301S	309781	JAC	471554!	310099	HYST	204507!	3108OS	JN-MN	474264
30821608	TROS	471138!	3098	CALSO	473227!	3101	C-R	712021	3109130	AMC	6074
30822408	TROS	470565!	30981	CARQU	421	3101030	STEM	AR8	310921	ACF	472924!
308277	AMC	471984	309823C91	IH	415958!	3101059	STEM	AR11	310921	H-S	472924!
30839	SEAMA	415371	309823C91	IH	415958	310131	H-S	416921!	310946R91	IH	476470
308405R1	IH	335924N	30983	CARQU	427RR	310195	FORD	710409	310946R91	IH	476470!
308412	UNIVE	455566	30985	IDEAL	35533	31020	GARLK	471649!	310971	H-S	411253!
308424	UNIVE	476470	30986	CARQU	35315	31020008	TROS	412725	310978	VICK	471649!
308425	MICH	476470	30987	CARQU	35292	31020404	TROS	5756	310B20808	TROS	8243
308437	UNIVE	417181!	30988	CARQU	35011	31021805.75	TROS	204035	310C204065	TROS	200110
308438	MICH	417181!	3098SK	SPG	3098=	31023004.5	TROS	40337S	310D20404	TROS	5756
308449	UNIVE	418028	3099	PEERC	471764!	31023204	TROS	473476	310D20604	TROS	40973S
308449	UNIVE	455137!	30991	CARQU	35315	31023204.5	TROS	40337S	310E21805.75	TROS	493291
308450	MICH	418028	3099421	CUMMI	600389	3102609	WHITE	730016	310G15604	TROS	6808N
308450	MICH	455137!	3099421	SPG	100199	31028	GARLK	471689!	310H13604	TROS	5778
3084879	CUMMI	39821	309VB7	MARI	416345!	3103	NATL	3095	310VB7	MARI	415034!
308499	UNIVE	415023	309VB7	MARI	455033	3103341	WHITE	100495	311-405-641A	VW	1165
30849D	IH	415991	30A1635	MINNM	480630!	3103341	WHITE	417349	311-405-641B	VW	1195
30849D	IH	455146!	30A1680	MINNM	471276	3103513	WHITE	730003	311035	WOOL	416891!
308500	MICH	415023	30A2783	MINNM	203013	3103514	WHITE	370047A	31105D	IH	412473!

! Industrial Size/Type

= The U.S. customer service number is 877-4-TIMKEN. The Canadian customer service numbers are 800-565-4927 (English) and 800-565-0438 (French-Canadian).

Mfr. No.	Name	Zero Duplication or Recommended Industrial	Mfr. No.	Name	Zero Duplication or Recommended Industrial	Mfr. No.	Name	Zero Duplication or Recommended Industrial	Mfr. No.	Name	Zero Duplication or Recommended Industrial
31106D	IH	481864	31185	C-R	39817	312356	FORD	473228	313130	C-R	471391!
31108D	IH	470059	31185	C-R	417621	3123576	AMC	470625!	313130M1	C-R	471391!
31108D	IH	470380!	311865	Y-T	416654!	3123587	AMC	472572!	31316	C-R	416024*
3110A	ROCKW	410059	31189	C-R	417621!	3123667	AMC	340797	3131C	MINNM	413469!
3110A	ROCKW	470380!	31190	C-R	417621!	3123668	AMC	340797	3132	C-R	473242
3111035	WOOL	416888!	31191	C-R	417621!	31237	C-R	416287V=	313210	C-R	472150
31113	GARLK	471652	31193	C-R	417621!	31238	C-R	416288!	313210M1	C-R	472150
311132	CATER	40085S	31195	C-R	417621!	31239	C-R	416288!	313212	C-R	470565!
31117	GARLK	471692!	31196	C-R	417621!	3123SK	SPG	3123=	313212M1	C-R	470565!
31118	GARLK	471692!	31197	C-R	417621!	312424	UNIVE	416294!	313214	C-R	471887
31119D	IH	415984!	31198	C-R	417621!	312437	UNIVE	412473!	31322	C-R	450311
31125	C-R	45825S	31199	C-R	417621!	312438	MICH	412473!	31322M1	C-R	450311
31128	GARLK	470712!	311994R91	IH	471224!	312438ISL	MICH	412473!	31324	C-R	472016
31129	C-R	45825S	311VB7	MARI	415088	31244	C-R	AR5+370014A	31324	GR-DV	472016
3112948	AMC	240151	311VB7	MARI	415088!	312450	MICH	417191	313240	H-S	415458!
31130	C-R	228005	312	UNIVE	416339	312450	MICH	456585	313245	FORD	472572!
3113029	AMC	470712!	312	UNIVE	455031!	312450990	WHITE	417134	313249	H-S	415995!
31133	C-R	416288!	3120	C-R	350364*	31246	GARLK	471766!	31324M1	C-R	472016
31138	C-R	416404!	31200	C-R	417621!	312460C91	IH	410686N	31324S	FORD	472572!
31138	GARLK	471763	31202	C-R	8976S	312462	UNIVE	417354!	31326	C-R	472020
3113831	AMC	471344	31203	C-R	8976S*	312462V	UNIVE	417354!*	313262	LEROI	415960
31139	C-R	416404!	31205	GEM	240151	312463	MICH	417354!	31326M1	C-R	472020
31140	C-R	416404!	31206	C-R	417621	312469	MICH	455249!	31328	C-R	471138!
31140	GARLK	471763	31207	AM WH	473229	31247	C-R	417621	31328	GEHL	471138!
311405641	VW	1174	31207	C-R	416288!*	3124732	AMC	6760S	31328M1	C-R	471138!
311405641	VW	38X52X8.5!	3120RB	SPG	3120N=	312499	UNIVE	417191	313290	SPG	43290S
31141	C-R	416404!	3121	C-R	350364*	312499	UNIVE	455165!	3132M1	C-R	473242
31142	SPICE	442380	312119	ALLCH	40438S	3124S	SPG	3124=	31330	SPICE	471192
311421	SPICE	442380	31213	C-R	416288	3125	C-R	350364	31330	VIC	471192
311422	SPICE	442380	31213207	TROS	450540	31250	C-R	417171!*	31333	C-R	415021*
31144	C-R	2260	31214	VICK	417040	312500	MICH	415025	3134	PEERC	471192
31145	C-R	416404!*	31214807.5	TROS	470088	31252	C-R	417171!	31340	C-R	415021
31146	C-R	416404=	31215	C-R	416288	31253	C-R	417171!	3134093	AMC	472572!
31147	C-R	416404!	31215607.5	TROS	473458!	31255	C-R	417171!	31341	C-R	415021
3114778	AMC	9613S	31216007	TROS	473462	31257	C-R	417171!	31343	HYST	415138!
31148	C-R	416404!*	31216007.5	TROS	473462	312580	H-S	473446	31344	C-R	415021
31149	EATON	370019A	31220007	TROS	473464	31262	GARLK	471795	3134500	CALI	455019!
31149	EATON	415060	31220007	TROS	473464!	31269	C-R	417172*	31348	GARLK	472258!
31149	EATON	455060	31220007.5	TROS	473464	3126S	SPG	3126=	31353	C-R	415394*
311493	AMC	340771	31220407	TROS	416738!	31270	C-R	417172	31355	C-R	415394*
31152	C-R	416404=	31220407	TROS	450096	31270	SPICE	416273!	31359	C-R	415394*
311531	H-S	481073	31220806	TROS	472409!	31271	C-R	417172	31360	GARLK	471192
31158	C-R	6754S=	31220807	TROS	472409!	31274	C-R	417172	31361	C-R	7896S
311616	AMC	471827	31220807.5	TROS	472409!	31275	C-R	417172	31362	C-R	9600S
31162	MICH	471648	31221	C-R	416288!	31276	C-R	417172*	31364	C-R	5405
31162	UNIVE	471648	31221007.5	TROS	450621	31278	C-R	417172	31368	GARLK	473214!
31163	C-R	417621!	31221207	TROS	470354	31279	C-R	417172	3136881R91	IH	2260
31164	C-R	417621!	31221207.5	TROS	470354	31281	C-R	417172	3136881R92	IH	2260
3116442	AMC	470954	31221211	TROS	6636S	3128171	AMC	6855N=	31369	C-R	5410
31165	C-R	417621!	31221607	TROS	410737!	31284	C-R	6644	31370	GARLK	473214!
311653330	WHITE	416664!	31221608	TROS	410737!	31288	C-R	5751	313734	FORD	473215!
31166	C-R	417621!	31221611.5C	TROS	410737!	31292	C-R	6603=	31374	C-R	5452
31168	C-R	5578	31222	C-R	416288!	3129318	AMC	474255	313756	H-S	471549!
31170	C-R	417621!	31223204	TROS	472029	3129320	AMC	472560N	313757	H-S	471750!
311706560	WHITE	415725!	312237	ACF	473215!	31299	C-R	416297	313777	JAC	481537
311717	H-S	412943	312237	H-S	473215!	312C116	C-R	210914	31378	C-R	5406
311718	H-S	471820	312238	ACF	470950!	312VB7	MARI	417191	31378	C-R	6481S\$
31172	C-R	5578	312238	ACF	6241S	312VB7	MARI	455165!	31378	GARLK	473215!
311721	AMC	470898	312238	H-S	470950!	312W475	CONE	5518	3138	PEERC	470950!
31173	C-R	417621*	312238	H-S	6241S	31301	C-R	416297	3138	PEERC	6241S
31175	C-R	370145A	31224	GARLK	471413!	31302	HYST	470625!	3138143	AMC	470774!
31175	MICH	471688	31227	C-R	416288!*	313046	ACF	471553!	313820R91	IH	473447
31175	UNIVE	471688	312276	WHITE	473467!	313046	H-S	471553!	31384	CASE	340900
31176	C-R	417621!	31228	C-R	416288!*	31307	C-R	370046A	31385	C-R	5185
31177	C-R	417621!	31228D	IH	415371	31307	C-R	5100	313856R91	IH	450048
31178	C-R	417621!	31229	C-R	416288!	313096	JAC	473454	3138701R91	IH	2261
31179	C-R	417621*=	31231	C-R	416288!	3130C	MINNM	417344!	313886	JAC	471466!
31182	UNIVE	450040	31232	GARLK	471737	313100R91	IH	415021	31390	C-R	5313
311825	H-S	471472!	31233	C-R	416288!	313112	C-R	450516	313903R91	IH	415227=
31183	MICH	450040	31234	HYST	410102	31311F	DIA	471689!	313912R91	IH	415449=
311837	ACF	50010	3123416	AMC	240698	313122	C-R	470687	313912R92	IH	415449=
311837	H-S	50010	31235	HYST	412920!	313128	C-R	473240!	313913R91	IH	415995=

! Industrial Size/Type * Minor Width Difference \$F-M Number Is Part Of A Kit
 = The U.S. customer service number is 877-4-TIMKEN. The Canadian customer service numbers are 800-565-4927 (English) and 800-565-0438 (French-Canadian).

NUMERICAL INTERCHANGE

Mfr. No.	Name	Zero Duplication or Recommended Industrial	Mfr. No.	Name	Zero Duplication or Recommended Industrial	Mfr. No.	Name	Zero Duplication or Recommended Industrial	Mfr. No.	Name	Zero Duplication or Recommended Industrial
313913R92 IH		415995 =	3148004 AMC		473234!	3155002 AMC		321460	316500 MICH		415027!
313914R91 IH		417354!	3148051 GM		411	3155002 WILYS		321460	316500 MICH		415027
313914R92 IH		417354!	3148513 AMC		340356	31551 C-R		80X125X12*	316524 WHITE		472185!
313915R91 IH		415379 =	31490 C-R		710080	3155168 AMC		410059	3166233 AMC		8429S
313915R92 IH		415379 =	31492 GARLK		473228!	3155168 AMC		470380!	316675 ACF		481644
31392 C-R		6897 =	314923 WHITE		473010	31554 SPICE		473228!	316675 H-S		481644
31393 C-R		5494	314924 H-S		473427	31554 VIC		473228!	3167833 AMC		8549S
313936 H-S		473448	31494SA TRSCM		455022	3156012 AMC		473317	316785 WHITE		41075S
313943R91 IH		455282N =	314963 CHRYS		473447	31565 C-R		80X130X12	316785A WHITE		41075S
3139OS JN-MN		450307*	31498 GARLK		473228!	31566 GARLK		473230!	31690 GARLK		473237!
313BM212-L C-R		470565!	314FF128 C-R		5246	31575 C-R		80X135X12	3169D5 WHITE		410308
313CH212 C-R		470565!*	314FF22 C-R		5756	31575 HYST		472015!	316A23206C TROS		7018N =
313F130 C-R		471391!	314G126 C-R		40337S	3157506 AMC		411	316FF29 C-R		205035
313VB7 MARI		415995!	314VB7 MARI		415394	31575B HYST		473467	316G29 C-R		493291
313W112 C-R		450516	3150 C-R		8X22X7!	31576 GARLK		473231!	316VB7 MARI		415027!
313W122 C-R		470687	315019 H-S		471747!	3158 NORDG		472179	316VB7 MARI		415027
313W128 C-R		473240!	3150254 AMC		473317	3158482 AMC		473234	316W118 C-R		5778
313W130 C-R		471391!	31504 C-R		710103	31585 C-R		80X140X12	317-1705+327-2718 STEM		415058
313W130-M1 C-R		471391!	3150548 AMC		7686S	3158703 AMC		470059	317-1721+327-2721 STEM		370132A
313W2 C-R		473242	31506 C-R		228005	3158703 AMC		470380!	317-1756+327-2756 STEM		370023A
313W2-M1 C-R		473242	3150677 AMC		473234!	315872 JAC		340815	317-1756+327-2756 STEM		380023A
313W210 C-R		472150	31507 C-R		228008	3159 NORDG		472193!	317-1790+327-2741 STEM		370069A
313W212 C-R		470565!	31508 HYST		417538	31590 GARLK		473010!	317-1790+327-2741 STEM		380069A
313W212-M1 C-R		470565!	3150815 AMC		6952S =	315945 JAC		6357S	31704 GARLK		472164!
313W214 C-R		471887*	3150858 AMC		240816	315967 JAC		415995!	3170699 AMC		7686S
313W22 C-R		450311	31509 C-R		228011	31598 GARLK		473232!	3170700 AMC		7687S
313W22-M1 C-R		450311	31509 C-R		228015	31599 CALI		291148 =	3171 C-R		470195!
313W24 C-R		472016	31509 C-R		80X100X10V!	315FF23-L C-R		8243	3171 PEERC		471649!
313W24-M1 C-R		472016	31510 C-R		228009	315G130 C-R		40526S	31714 GARLK		472185!
313W26 C-R		472020	31510 C-R		228012	315G23 C-R		40973S	3172073 WILYS		5111
313W28 C-R		471138!	31510 C-R		80X100X10!	315VB7 MARI		417181!	3172073 WILYS		5111S
313W28-M1 C-R		471138!	3151007 AMC		473459	31600 CALI		295113 =	317219 H-S		471272!
314 UNIVE		415697!	31511 C-R		228015	3161025 CUMMI		5742	317237 WHITE		471224!
314 UNIVE		455547	31512 C-R		228012!	316124L C-R		6818	31726 GARLK		472179
3140 C-R		350364	31512 C-R		80X100X10!	316128L C-R		6808N	3173098 WILYS		5111
3140380 AMC		472572!	31513 C-R		228010	31615608 TROS		451078!	3173098 WILYS		5111S
3140D GOODM		416345!	31513 C-R		80X100X10!	31615608C TROS		451078!	3173532 AMC		473317
3140D GOODM		455033	31515 C-R		228020	3161742 CUMMI		600211	31743 GARLK		471984
3141 C-R		712021	31515 C-R		80X105X10	3161772 CUMMI		5728	3174533 AMC		471652
31415TA TRSCM		417621	31515 C-R		80X105X13!*	3161772 CUMMI		600211	3174533 AMC		482208!
314172KB TRSCM		8976S	31516 C-R		228009	31621008 TROS		450869	31750 GARLK		473313
3142044 AMC		6952S =	31516 C-R		228011	31621208 TROS		473245!	317510R91 IH		50199S!
31424TA TRSCM		416288!	31516 C-R		80X100X10V!	31621604 TROS		40316S	317510R91 IH		6863S!
3143382 CLARK		415447	31517 C-R		228020	31621608 TROS		472636!	31753 C-R		3385
31435 VICK		415146!	31517 C-R		80X105X12V!	31621610 TROS		472636!	317549R91 IH		412119!
31435 VICK		415991	31517 C-R		80X105X13!*	31622008 TROS		411394!	317570R91 IH		415035
3143C MINNM		471750!	31519 C-R		80X105X13!*	31622408 TROS		413246	31758 C-R		456105*
3143RAR SPG		3143N	31520 C-R		80X110X12	31623204 TROS		442380	31762 C-R		456105
314425SL MICH		418029!	31521 C-R		80X105X13!	31623206 TROS		471271!	31763 LEECE		450340
314449 UNIVE		417492*	31524 C-R		80X100X10V	31623208 TROS		471271!	31769 LEECE		473414
314450 MICH		417492	31525 C-R		228030	31624007 TROS		451143	31770 C-R		456105
314462 UNIVE		417493	31525 C-R		80X110X10!	31634 WAYNE		471733	31771 C-R		456105
314463 MICH		417493	31525 CASE		5865	31637-4 SPICE		J1130	317749C92 IH		5065
3144651 AMC		471195!	31526 C-R		80X110X10V	31640 C-R		456799 =	317807R91 IH		200856
3144651 WILYS		471195!	3153 FR-HT		471795	316405 OMC		17760	317847R91 IH		471255!
3145 C-R		220860	3153 PEERC		473228	3164335 AMC		473445	31785 CHERY		471763
3145 C-R		8X16X7!	31530 C-R		228030	3164335 Y-T		473445	317879 H-S		472951
314500 MICH		455026	31530 C-R		80X110X12!	316437 UNIVE		416624!	317879 H-S		474252
31454 GARLK		473227!	31531 C-R		80X110X10V	316449 UNIVE		415991	317923 WHITE		473010
31455TA TRSCM		417172	31531 SPICE		410987!	316449 UNIVE		455146!	317944R91 IH		417267
3145CA SPG		3145	3153482 AMC		473234!	316450 MICH		415991	317996R91 IH		415035 =
3145CAR SPG		5124	31536 C-R		80X115X12*	316450 MICH		455146!	317VB7 MARI		417487
31462 GARLK		470625!	3153825 AMC		473452	316462 UNIVE		417196!	3180 PEERC		473234
31464 GARLK		470625!	31540 C-R		80X120X10!	316463 MICH		417196!	31800 C-R		456105
314658 CHRY		473464!	31540 C-R		80X120X13	31646314 SPICE		415458 =	3180041 AMC		473234!
314658 CHRY		473464	3154112 AMC		311189	31646314-2 SPICE		415458 =	318010 CLARK		417498
31472 GARLK		470380!	31545 C-R		80X120X13	316475 MICH		415437	318011A CLARK		472179
314745 Y-T		415035!	315459 H-S		413469!	316475 MICH		415437!	318012 CLARK		415449!
314745 Y-T		415035!	31546 C-R		80X120X13!	316475 UNIVE		415437	318014 CLARK		415995!
31475 EATON		415697!	315465 TW-CO		6638S	316475 UNIVE		415437!	318018 CLARK		471224
31475 EATON		455547	3155 C-R		8X24X7	316487 UNIVE		417198	31802 GARLK		472439
314755-C91 IH		HU066A	31550 C-R		55386	316499 UNIVE		415027	3180211 AMC		3404!

! Industrial Size/Type * Minor Width Difference

= The U.S. customer service number is 877-4-TIMKEN. The Canadian customer service numbers are 800-565-4927 (English) and 800-565-0438 (French-Canadian).

Mfr. No.	Name	Zero Duplication or Recommended Industrial	Mfr. No.	Name	Zero Duplication or Recommended Industrial	Mfr. No.	Name	Zero Duplication or Recommended Industrial	Mfr. No.	Name	Zero Duplication or Recommended Industrial
318026	CLARK	472179	319026C11	IH	722250	319W-112-2	LK-BT	457874	319W2-M1	C-R	473464
318027	CLARK	416891!	319039	ALLCH	473458!	319W-112-20	LK-BT	455584	319W2-M1	C-R	473464!
318028	CLARK	412119!	319122	C-R	450533*	319W-112-5	LK-BT	417562	319W212	C-R	473475*
31803	CLARK	411253!	319124	C-R	470088*	319W-112-8	LK-BT	417563	319W21446	FMC	471567!
318030	CLARK	450497=	319124M1	C-R	470088*	319W-171-1	LK-BT	472237=	319W21531	FMC	471692!
318031	CLARK	456105	319125	C-R	450089	319W-171-12	LK-BT	476517	319W21624	FMC	471192
31804	GARLK	472439	319126	C-R	450090	319W-171-4	LK-BT	471379	319W21624	LK-BT	471192
318047C11	IH	712375	319126M1	C-R	450090	319W-171-5	LK-BT	476510=	319W2175	FMC	473229!
31805	CLARK	473228	319128	C-R	473458!*	319W-171-7	LK-BT	476511=	319W21767	FMC	470334!
31806	SPICE	482253	319128M1	C-R	473458!*	319W-214-46	LK-BT	471567!	319W21875	FMC	472016!
31807	CLARK	470682	319130	C-R	473462	319W-215-19	LK-BT	471649!	319W21919	FMC	471272!
31808	CLARK	472636!	319130K	IH	473462	319W-217-67	LK-BT	470334!	319W21955	FMC	415449!
31809	CLARK	473447	319130M1	C-R	473462	319W-218-75	LK-BT	472016	319W21962	FMC	415302
3181	NORDG	417492	31917625	FMC	455026	319W-219-19	LK-BT	471272!	319W22	C-R	416738!
31814	GARLK	472572!	31917665	FMC	415995!	319W-219-55	LK-BT	415449!	319W22	C-R	450096
3182	PEERC	474265	3192	C-R	473464!	319W-219-62	LK-BT	415302	319W22-M1	C-R	416738!
318243	WHITE	455151	3192	C-R	473464	319W-220-14	LK-BT	416921!	319W22-M1	C-R	450096
31825	C-R	417490*	319212	C-R	473475*	319W-220-32	LK-BT	417621!	319W2201	FMC	416664!
31826	GARLK	473238!	319212M1	C-R	473475*	319W-221-40	LK-BT	415146!	319W22032	FMC	417621!
31827	CATER	417349!	319216	C-R	472029	319W-221-40	LK-BT	415991	319W22033	FMC	416288!
31827	TMTR	417349!	31922	C-R	416738!	319W-221-52	LK-BT	416557	319W22033	LK-BT	416287
31828	HYST	470088	31922	C-R	450096	319W-221-53	LK-BT	415937!	319W22033	LK-BT	416288!
31830	C-R	417490	31922	CONTI	416738!	319W-221-70	LK-BT	416339	319W22140	FMC	415146!
31831	C-R	417490	31922	CONTI	450096	319W-222-18	LK-BT	415034!	319W22140	FMC	415991
318360	H-S	471760	31922	FAIRB	416738!	319W-222-50	LK-BT	416556!	319W22152	FMC	416332!
31837	SPICE	410825	31922	FAIRB	450096	319W-222-50	LK-BT	472157	319W22153	FMC	415937!
318371	SPICE	410825	31922M1	C-R	416738!	319W-222-64	LK-BT	416380!	319W22170	FMC	416339
31838	GARLK	473239!	31922M1	C-R	450096	319W-223-11	LK-BT	415371	319W22218	FMC	415034!
3183886	AMC	473445	31924	C-R	472409!	319W-223-27	LK-BT	416865!	319W22250	FMC	416556!
3183887	AMC	473459	31924M1	C-R	472409!	319W-224-52	LK-BT	416239!	319W22250	FMC	472157
3183981	AMC	473452	31925	C-R	450621*	319W-227-26	LK-BT	471619!	319W22264	FMC	416380!
3183981	SPICE	473452	31925M1	C-R	450621*	319W-228-22	LK-BT	471818	319W2229	FMC	415697!
318449	UNIVE	415498*	31926	C-R	470354*	319W-229-7	LK-BT	473214!	319W22311	FMC	415371
3184494	AMC	471827	31926M1	C-R	470354*	319W-229-71	LK-BT	473440!	319W22327	FMC	416865!
3184500	CALI	415379	31928	C-R	470354	319W-230-33	LK-BT	473367	319W22360	FMC	416107!
318462	UNIVE	415711	31928M1	C-R	410737!*	319W-230-4	LK-BT	472299	319W22412	FMC	417362!
318463	MICH	415711	3192K	FORD	473464!	319W-231-44	LK-BT	413248	319W22442	FMC	416229
318475	MICH	417497	3192K	FORD	473464	319W-231-9	LK-BT	472185!	319W22452	FMC	416239!
318475	UNIVE	417497	3192M1	C-R	473464	319W-232-35	LK-BT	472016!	319W22726	FMC	471619!
31848	GARLK	473240!	3192M1	C-R	473464!	319W-232-38	LK-BT	416267!	319W22822	FMC	471818
318487	UNIVE	417498	31930	C-R	455022*	319W-232-47	LK-BT	472018	319W22971	FMC	473440!
318488	MICH	417498	319306	WHITE	240151	319W-232-61	LK-BT	471138!	319W22980	FMC	471958
318499	UNIVE	55028*	31931	C-R	455022*	319W-232-62	LK-BT	472636!	319W23013	FMC	471316
318500	H-S	415437	3193613	AMC	3404!	319W-233-2	LK-BT	470565!	319W23033	FMC	473367!
318500	MICH	55028	319413	ACF	413246	319W-233-21	LK-BT	415001!	319W2304	FMC	472299
318507	AUTOZ	35342	319413	H-S	413246	319W-233-39	LK-BT	415458!	319W23144	FMC	473240!
318509	AUTOZ	35531	3194171	AMC	321460	319W-233-56	LK-BT	417344!	319W2319	FMC	472185!
318512	AUTOZ	35617	3194827	AMC	321460	319W-233-6	LK-BT	416271!	319W23235	FMC	472016!
31855	C-R	455336*	3195006C1	IH	370124A	319W-238-38	LK-BT	416267!	319W23238	FMC	416267!
31858	C-R	455336	319506C92	IH	370124A	319W-263-49	LK-BT	450039	319W23261	FMC	471138!
31859	C-R	455336	319527172	FMC	417357	319W-276-1	LK-BT	472237=	319W23263	FMC	472636!
3186540	AMC	8549S	319527172	FMC	455192!	319W-276-12	LK-BT	476517	319W23310	FMC	471887
31866	C-R	455336*	31955	C-R	455022*	319W-276-3	LK-BT	472239	319W23311	FMC	415371
31867	C-R	455336*	31960	C-R	455022	319W-276-4	LK-BT	471379	319W2332	FMC	470565!
318675C91	IH	410308!	31960	HYST	471821!	319W-276-5	LK-BT	476510=	319W23321	FMC	415001!
318678C91	IH	416271	31961	C-R	455022	319W-276-8	LK-BT	476511=	319W23339	FMC	415458!
31870	C-R	6358	319635R91	IH	417198=	319W-34-40	LK-BT	417492	319W23356	FMC	417344!
31872	C-R	455336*	31970	ACF	415991	319W-34-5	LK-BT	416654!	319W2336	FMC	416271!
31874	C-R	6358	31970	ACF	455146!	319W-35	LK-BT	415041	319W23522	FMC	416865!
318987C91	IH	416271	31970	HYST	415991	319W-355-14	LK-BT	415317	319W23838	FMC	416267!
318B22	C-R	416738!	31970	HYST	455146!	319W122	C-R	450533*	319W24	C-R	472409!
318B22	C-R	450096	319785	WHITE	41075S	319W124	C-R	470088*	319W24-M1	C-R	472409!
318W124	C-R	470088*	319812	H-S	471341!	319W124-M1	C-R	470088*	319W25	C-R	450621*
318W124-M1	C-R	470088*	319F2	C-R	473464	319W126	C-R	450090*	319W26	C-R	470354*
318W22	C-R	416738!	319G130	C-R	40094S	319W126-M1	C-R	450090*	319W26-M1	C-R	470354*
318W22	C-R	450096	319HC26-L	C-R	3103!	319W128	C-R	473458!*	319W27611	FMC	85X130X13
318W22-M1	C-R	416738!	319N28	C-R	410737!*	319W128-M1	C-R	473458!*	319W27612	FMC	476517
318W22-M1	C-R	450096	319W-112	LK-BT	415294!	319W130	C-R	473462	319W27613	FMC	476518
318WL22-M1	C-R	416738!	319W-112-1	LK-BT	415072	319W17537	FMC	415449!	319W2766	FMC	476512
318WL22-M1	C-R	450096	319W-112-11	LK-BT	416229	319W17625	FMC	455026	319W2769	FMC	476514
3190	CR-CF	471553!	319W-112-12	LK-BT	415294!	319W2	C-R	473464!	319W28	C-R	410737!
31900	EATON	5951	319W-112-14	LK-BT	417298	319W2	C-R	473464	319W28-M1	C-R	410737!

! Industrial Size/Type * Minor Width Difference

= The U.S. customer service number is 877-4-TIMKEN. The Canadian customer service numbers are 800-565-4927 (English) and 800-565-0438 (French-Canadian).

NUMERICAL INTERCHANGE

Mfr. No.	Name	Zero Duplication or Recommended Industrial	Mfr. No.	Name	Zero Duplication or Recommended Industrial	Mfr. No.	Name	Zero Duplication or Recommended Industrial	Mfr. No.	Name	Zero Duplication or Recommended Industrial
319W35510	FMC	471571	3206237	GMC	473462	321570	SPG	471570!	3229964	GMC	417486
319W35514	FMC	415317	3206691	AMC	5112	32159	GARLK	473204	3230	C-R	50445
319W35515	FMC	415124	3206691	AMC	5112S	321593	H-S	471255!	32301	C-R	228480
319W3553	FMC	415645!	3206691	WILYS	5112	321596R91	IH	471224=	32302	C-R	228480
319W3556	FMC	416167!	3206691	WILYS	5112S	321597R91	IH	471224=	32303	GARLK	471272!
319W3557	FMC	416476!	320678X	SPG	225650	321606	H-S	350156	323039	H-S	417357
319W3558	FMC	455406!	3206864	GMC	471472!	321606	H-S	473096	323039	H-S	455192!
319W3611	FMC	451583!	32071	GARLK	473242	321643	NATL	471643!	32304	C-R	228480
319WL26-M1	C-R	6636S	32077	ROSS	323138!	321649	NATL	471649!	3230430	AMC	8429S
319YM26	C-R	470354	320834R	SPG	38X74X11	32166	HYST	416239!	3231	PEERC	472924!
319Z128	C-R	473458!*	320839VD	SPG	224205	32167	JOHND	204017	323112	NATL	470530!
31A9426	DALMO	472354!	320840RA	SPG	222025	32169	LEECE	471760	323113	SPG	471466!
31D3639	BENDI	340797	3208474	AMC	473452	32171	GARLK	470898	3231145	GMC	471192
31TA154	OSHKO	471887	320942	H-S	471192	3217590	GMC	455019!	32312407.5	TROS	450492
31TA397	OSHKO	471341!	320A23108	TROS	6785	3217634	GMC	416339	323138	NATL	323138
31X10977	JOHND	340356	320C21606	TROS	44052	3217634	GMC	455031!	32316008	TROS	450965
31X12575A	JOHND	416339	320JX216	MACK	415938	321782R93	IH	396412* =	32317	GARLK	471138!
31X12584A	JOHND	415064	321-501-641	AUDI	1962	3217873	GMC	416125!	323191	NATL	417316!
31X17484A	JOHND	455576!	321-501-641	VW	1962	3217874	GMC	474264	32320804	TROS	40097S
31X44X8SC	TRSCM	31X44X8	321-501-641	VW	224052	32180	WAYNE	472164!	32320807.5	TROS	413469!
31X44X8TC	TRSCM	31X44X8	321-501-641E	VW	1962	32185	HYST	473236!	32321207.5	TROS	412943
320-2009	STEM	370057A	321009R91	IH	5581=	321852	WHITE	471766!	32321407.5	TROS	50631
320-2034	STEM	370012A	3210521	GMC	417316!	32185A	JOHND	200110	32321607.5	TROS	411253!
320-2041/1043RING	STEM	370192A	3210522	GMC	455005	32186	GARLK	472015!	32321608	TROS	411253!
320-6017	STEM	370036A	321055	H-S	471747!	32186	HYST	473236!	32322007.5	TROS	410694!
320-6017	STEM	370349A	3211035	C-W	416229	3218686	GMC	415960	323220M1	C-R	451143
32001	TRMBL	H075	3211035	WOOL	416229	3218769	GMC	470059	32322404	TROS	40101S
32006	CHERY	472144!	321109BG	NATL	224045	3218769	GMC	470380!	32322407.5	TROS	412119!
32006	GARLK	471424!	3211172	GMC	471224!	32189	LEECE	471192	32322409.5	TROS	412119
3200636	AMC	480821!	321124SK	SPG	223014	3218904	AMC	2876	32322412	TROS	412119!
320084	H-S	472636!	321148R91	IH	5592=	3219176	GMC	417316!	32323007.5	TROS	50560
3202034	GMC	476838!	32115-C0400	HINO	225875	32195	GARLK	410308!	32323207.5	TROS	410496!
320211C91	IH	410737!	321152HA	SPG	1108	32195	GARLK	473468	32324007.5	TROS	412871!
3202170	AMC	471538	321155RA	SPG	223750	32195	LEECE	473016!	3232755	GMC	450811=
32022006	TROS	5924	321157	SPG	224460	32198	GARLK	472016!	32329	NATL	472636!
32023	GARLK	472492!	321165	SPG	224650	3219S	GIB	472572!	3232A	HERCU	455189
3202406	GMC	473010	321167R92	IH	415991!	321VB7	MARI	417210!	32330	C-R	710180
3202615	EUCLD	471554!	321167R92	IH	415991	3220	C-R	50445*	32332	C-R	710180
3202615	GMC	471554!	3211759	GMC	471787!	3220403	AMC	473441	323324VG	SPG	3476V
3202618	AMC	470954	321176H	SPG	710334	32205	HYST	472012	3233871	GMC	471766!
320265	GMC	471554!	321195	NATL	471195!	32210	GARLK	473243	32341	GARLK	412920!
320331	H-S	471137	321202HA	SPG	227045	3221338	GMC	470712!	32343	C-R	417362!
3203459	AMC	472560N	321214VG	SPG	710164	3221339	GMC	473225!	32344	C-R	417433*
32035	GARLK	472924!	321218HA	SPG	712008	3221342	GMC	416738!	32344	C-R	417433
3203580	AMC	6855N=	321220RA	SPG	321220	3221342	GMC	450096	32348	C-R	417433!
3203640	GMC	415023	321224	NATL	471224!	3221709	GMC	473460	32350	C-R	417433
320384	H-S	470645	321237	H-S	473215!	32218	GARLK	413469!	32351	C-R	417433!
3203S	SPG	3203=	321251HA	SPG	223602	322228	H-S	472179	323562C91	IH	415449
32042	GARLK	417351!	3212529	GMC	450593!	322240	NATL	476838!	32358	KINGN	476838!
320449	UNIVE	415389*	321255	SPG	471255!	3222550	AMC	7687S	3235929	AMC	473228!
3204510	AMC	340356	321264	NATL	471264!	322309	WOOL	415991	32360	C-R	455566
320462	UNIVE	416332!	321267R91	IH	415991	322309	WOOL	455146!	32362	C-R	455566
320463	MICH	416332!	321267R91	IH	415991!	3223363	AMC	5121	32362	GARLK	415259!
320475	MICH	415937!	321267R92	IH	415991!	322375	H-S	417316!	32364	C-R	476470
320475	UNIVE	415937!	321267R92	IH	415991	3223795	WHITE	472636!	32368	C-R	476470
3204830	AMC	PSK-1	321276	SPG	471276	322422	WHITE	470050	32371	C-R	476470!
320487	MICH	417355!	321282R91	IH	471504	322424C91	IH	470565!	32371	C-R	476470
320488	MICH	417355!	321284R1	IH	J983=	3224704	AMC	321460	3237134	GMC	415937!
320499	UNIVE	416125!*	321293RA	SPG	223220	322475	MICH	417501	323715BX	SPG	1953
3204S	SPG	415995=	321298	JAC	471224!	322475	UNIVE	417501	323715BX	SPG	42X60X7!
320500	MICH	416125!	3212984	GMC	473419	322499	UNIVE	55030*	32374	C-R	476470
3205000	GMC	411253!	321299RA	SPG	223800	322500	MICH	55030	32375	C-R	476470
3205298	WILYS	470954!	32129SRA	SPG	224020	322674	CATER	471833	323762BX	SPG	1994
3205331	AMC	5111	3213601	GMC	471354!	322681C91	IH	472492	323762BX	SPG	48X70X9!
3205331	AMC	5111S	321389	NATL	470954!	3228	AT-PL	473463	32377	C-R	476470!
3205502	GMC	450165	321412	SPG	481163	32283	C-R	40375	32377	C-R	476470
3205502	GMC	471801!	3214224	NATL	471224!	3228401R91	IH	2260	32378	C-R	476470!
32056	GARLK	472397!	321442	NATL	471442!	3228457R1	IH	2261	32378	C-R	476470
320563	NATL	2025	321501641A	AUDI	1165	322862	JAC	450039	32379	C-R	476470!
320563	SPG	2025	3215360	GMC	471264!	32288	HYST	417509	32379	C-R	476470
320583	NATL	43X60X8!	321545R91	IH	473239!	32289	C-R	320691	3237VJ	SPG	3237
320595SS	SPG	320595	321546R91	IH	417343!	32298	SPICE	471646!	32380	C-R	100494

! Industrial Size/Type *Minor Width Difference

= The U.S. customer service number is 877-4-TIMKEN. The Canadian customer service numbers are 800-565-4927 (English) and 800-565-0438 (French-Canadian).

Mfr. No.	Name	Zero Duplication or Recommended Industrial	Mfr. No.	Name	Zero Duplication or Recommended Industrial	Mfr. No.	Name	Zero Duplication or Recommended Industrial	Mfr. No.	Name	Zero Duplication or Recommended Industrial
32380	C-R	476470!	32421611	TROS	412920!	324731R91	IH	470380!	32533	DIVCO	474278!
32380	C-R	476470*	32422	GARLK	470565!	324732R91	IH	472185!	32536	GARLK	471271!
32380D	IH	412473!	32422007.5	TROS	450133	32474	C-R	418028	32536	GR-DV	473245!
32381	C-R	476470!	32422404	TROS	413247!	32474	C-R	455137!	325369	H-S	471224!
32381	C-R	476470	32422407.5	TROS	413247!	32474TA	TRSCM	415577	32538	C-R	417353!
3238137	AMC	3942	32422VB	TRSCM	476470	32477	C-R	418028	32538	GOODM	472636!
32382	C-R	476470!	32423	C-R	417181!	32477	C-R	418028*	32540	C-R	417353!*
32382	C-R	476470	32423205	TROS	470605!	32478	C-R	418028	325400VG	SPG	228250
32383	C-R	476470!	32423207.5	TROS	470605!	32481	C-R	418028	325400VG	SPG	710448
32383	C-R	476470	32423208	TROS	470605!	324867	H-S	471224!	32541	C-R	417353!
32384	C-R	476470	324234VD	SPG	324234V	3249244	GMC	472924!	32542	C-R	417353!
32384	C-R	476470!	32423TB	TRSCM	476470	324960	Y-T	410825	325421	SPICE	5131
32385	C-R	100494	32424	C-R	417181!	32498	C-R	418028	32543	C-R	417353!
32385	C-R	476470!	32424008	TROS	413248	324A23206	TROS	472397!	32544	C-R	417353!
32387	C-R	476470	324241	WHITE	471570!	324B28	C-R	472636!	325472	JAC	471267!
32388	C-R	476470	32424TA	TRSCM	476470!	324BM28	C-R	472636!	32548	GARLK	470605!
32390	C-R	476470	32425	C-R	417181!	324G	OSHKO	476470	325485	JAC	472475
32392	C-R	476470!*	324267	WHITE	472394	324W120	C-R	450467	32551	GARLK	415449!
3239231R91	IH	415082	32428	C-R	417181!	324W28-L	C-R	473245!	325510A	HARWA	32X55X10
32393	C-R	476470	32429	C-R	417181!	325008A	HARWA	32X50X8	325518	SPG	85X120X12
32394	C-R	476470*	3242D	GOODM	417357	32501	C-R	418028*	325518BG	SPG	85X120X12
32395	C-R	476470*	3242D	GOODM	455192!	32501	C-R	455137!	325529BG	SPG	60X90X10
32395	C-R	476470	3243	PEERC	473467!	3250132	AMC	1119	32553	C-R	415577
32396	C-R	476470	32430	C-R	417181!	3250132	AMC	710331	32554	C-R	415577
32397	C-R	476470	32431	C-R	417181!	32502	C-R	415137!	32555	C-R	55236
32397	C-R	476470!	32432	C-R	417181!	32502	C-R	418028*	32557	GARLK	415449!
323978	AUTOZ	BS40645	32433	C-R	417181!	3250259	AMC	3476	325588VG	SPG	710237
32398	C-R	476470	32434	GARLK	413246	3250262	CHRY	710205	325589V	SPG	229210
323981	AUTOZ	BS40644	324341C91	IH	100495	32504TA	TRSCM	418028	32559	C-R	415577
32399	C-R	476470	324341C91	IH	417349	32505	C-R	418028	32560	C-R	456305*
324-X416	C-R	7208S	324342R91	IH	350156	32506	C-R	418028	32560F	DIA	471570!
3240	C-R	50445	324342R91	IH	473096	3250632	IH	450398	32561	C-R	416865!*
3240086	AMC	9912	32435	C-R	417181!	3250632	IH	471267!	32563	C-R	416865!
32401	C-R	476470	32436	C-R	417181!	32507	C-R	418028	32563	GARLK	415449!
324014R91	IH	471224!	32437	C-R	200870	32507	C-R	455137!	325641HA	SPG	228700
32402	C-R	476470!	324373R91	IH	472397!	3250733	AMC	3553	325657SS	SPG	170X200X15
32402	C-R	476470	324394	H-S	471649!	32508	C-R	415137!	325662VD	SPG	325662V
32403	C-R	476470!	324395	H-S	471652	32508	C-R	418028	325668	H-S	472287!
32403	C-R	476470=	3243D	GOODM	416130!	325088	SPG	325088	32569	GARLK	416273
324043R91	IH	416888!	32441	C-R	7208S	325120	C-R	450467	32570	C-R	415023
324046BX	SPG	30X52X7	32442	C-R	7208S	325124M1	C-R	412040	32571	C-R	415023
32404TA	TRSCM	417433!	32446	C-R	418028	325128L	C-R	7216	32582	C-R	415023*
32404TA	TRSCM	455566	32446	C-R	455137!	3251309	GMC	415995!	32583	C-R	415023*
32406	C-R	476470!	32446	GARLK	413247!	32514	C-R	476303!	325836	NATL	415995!
32406	C-R	476470	324475	MICH	415379!	32516	C-R	415137!	325836	NATL	415995!
3240D	GOODM	416339	324475	MICH	415379	32516	C-R	418028	32584	C-R	415023
3240D	GOODM	455031!	324475	UNIVE	415379!	32519	C-R	418028	32585	C-R	415023
3241	FMS	223010	324475	UNIVE	415379	3252	C-R	412027	325905	NATL	415001!
32410	C-R	100494	32448	C-R	418028*	32521	C-R	418028	32591	C-R	415023
32410	C-R	476470!	324487	UNIVE	417205!	32521	C-R	455137!	32595	C-R	418028
324112SSO	SPG	324112	324488	MICH	417205!	325210	C-R	411394!	325954	WHITE	470625!
324115R	SPG	223235	32449	C-R	418028*	325210	FAIRB	411394!	32597	C-R	455328
324115R	SPG	32X46X6!	324499	UNIVE	416339	325210M1	C-R	411394!	325988	WHITE	473313
324115RR	SPG	223235	324499	UNIVE	455031!	325212	C-R	413246	32599	C-R	455328*
324115RR	SPG	32X46X6!	3244E	GOODM	415036	325212M1	C-R	413246	325A28	C-R	472636!*
324118	WHITE	417484!	324500	MICH	416339	325214	C-R	412040	325AMM28	C-R	472636!*
32412	C-R	476470	324500	MICH	455031!	325214M1	C-R	412040	325B216	C-R	471271!
324120R91	IH	476470!	32452	C-R	418028	325216	C-R	471271!	325B28	C-R	472636!
324120R91	IH	476470	32452	C-R	455137!	32522	C-R	450313	325BM28	C-R	472636!
32414810	TROS	210945	324525	MICH	415150!*	32522M1	C-R	450313	325CHA28	C-R	472636!
324151RX	SPG	324151=	32453	C-R	418028	32523	C-R	418028	325F214	C-R	412040
324155	WHITE	415995!	32453	C-R	455137!	32523	C-R	455137!	325F28	C-R	472636!*
3241669	AMC	3698	32461	GARLK	416271!	32524	C-R	473243	325FF216	C-R	442380
32418	C-R	476470	324631	SPICE	473215!	32524M1	C-R	473243	325FM128	C-R	472636!*
324186	SPG	1884	324634	SPICE	415449!	32525	C-R	473245!	325G216	C-R	442380
324189	H-S	50081	32467	C-R	418028	32526	C-R	473245!	325G28	C-R	40316S
32419	C-R	476470	3246D	GOODM	415041	32526	HU-WR	473245!	325HD216	C-R	442380
324191R91	IH	392076* =	32470	C-R	418028	32526M1	C-R	473245!	325HMS216-L	C-R	7018N =
324192R91	IH	392077* =	32470	HYST	417492	32528	C-R	472636!	325N28	C-R	472636!
3241RB	SPG	3241	324729R91	IH	417267	32528K	FAIRB	472636!	325R222	C-R	6532S =
32420007.5	TROS	410102	32473	C-R	418028	32528M1	C-R	472636!	325R222-Y12	C-R	6532S =
32421607.5	TROS	412920!	32473	C-R	455137!	3252M1	C-R	412027	325W128	C-R	451078!

! Industrial Size/Type * Minor Width Difference

= The U.S. customer service number is 877-4-TIMKEN. The Canadian customer service numbers are 800-565-4927 (English) and 800-565-0438 (French-Canadian).

NUMERICAL INTERCHANGE

Zero Duplication or Recommended Industrial		Zero Duplication or Recommended Industrial		Zero Duplication or Recommended Industrial		Zero Duplication or Recommended Industrial	
Mfr. No.	Name	Mfr. No.	Name	Mfr. No.	Name	Mfr. No.	Name
325W128-M1 C-R	451078!	327267 WHITE	472394	32QJ-165 MACK	370036A	32QJ266 SPICE	370003A
325W2 C-R	412027	327303 NATL	327303	32QJ-165 MACK	370349A	32X17610A JOHND	J1121
325W2-M1 C-R	412027	327305 NATL	415725!	32QJ-175 MACK	370006A	32X21486A JOHND	417343!
325W210 C-R	411394!	327321R91 IH	470712!	32QJ-179 MACK	370003A	32X22376A JOHND	417343!
325W210-M1 C-R	411394!	327364R91 IH	240319	32QJ-19301 MACK	370001A	32X22480A JOHND	471684!
325W212 C-R	413246	327380R91 IH	416865!	32QJ-19302 MACK	370007A	32X22481A JOHND	470590
325W212M1 C-R	413246	327381R91 IH	415551	32QJ-19303 MACK	370001A	32X38693A JOHND	417343!
325W214 C-R	412040	32740 WAYNE	5751	32QJ-19320 MACK	370001A	32X42X7AN(35) ISP	32X42X7
325W214-M1 C-R	412040	327535 ALLCH	204013	32QJ-19321 MACK	370001A	32X42X8SC TRSCM	32X42X8!
325W216 C-R	471271!	3275S SPG	3275	32QJ-19322 MACK	370007A	32X42X8TC TRSCM	32X42X8!
325W216-M1 C-R	471271!	327615 WHITE	473215!	32QJ-19325 MACK	370003A	32X45X7SC TRSCM	32X45X7
325W22 C-R	450313	3276SK SPG	3276	32QJ-19326 MACK	370030A	32X45X7TC TRSCM	32X45X7
325W22-M1 C-R	450313	32770 GARLK	415303!	32QJ-19327 MACK	370001A	32X46X6SC TRSCM	32X46X6!
325W24 C-R	473243	3277551 GMC	415035!	32QJ-19329 MACK	370023A	32X46X6TC TRSCM	32X46X6!
325W24-M1 C-R	473243	3277551 GMC	415035	32QJ-19336 MACK	370003A	32X47X7 NATL	3476
325W26 C-R	473245!	32782 GARLK	417344!	32QJ-19337 MACK	416892	32X47X7SC TRSCM	32X47X7!
325W28 C-R	472636!	32788A KINGN	240731	32QJ-19340 MACK	370001A	32X47X7TC TRSCM	32X47X7!
325W28-M1 C-R	472636!	3278VGO SPG	416271*	32QJ-19347 MACK	370007A	32X48X8SC TRSCM	32X48X8!
325W425 CONE	5169	32791 GARLK	417158!	32QJ-19353 MACK	370003A	32X48X8TC TRSCM	32X48X8!
325Z210 C-R	411394!	327936H NATL	227045	32QJ-19354 MACK	370003A	32X50X8 FORSH	32X50X8
32602 WAYNE	450540	327M5 WHITE	473367	32QJ-19355 MACK	370003A	32X50X8 NATL	223250
32603 WAYNE	455321	327M5 WHITE	473367!	32QJ-19366 MACK	370001A	32X50X8 NATL	710415
32605 C-R	455328*	327SSK SPG	3276	32QJ-19369 MACK	370023A	32X50X8 SIMRT	32X50X8
32615 SPICE	6465	327W28 C-R	472636!	32QJ-19371 MACK	370001A	32X50X8SC TRSCM	32X50X8
32617 GARLK	413248	328062 JAC	471766!	32QJ-19373 MACK	370003A	32X50X8TC TRSCM	32X50X8
326216M1 C-R	471271!	3280S6649 GAL	JV1935	32QJ-19374 MACK	370023A	32X51176A JOHND	471442!
3262537 GMC	411376!	3280S6650 GAL	JV1936	32QJ-19377 MACK	370006A	32X51176B JOHND	471442!
3262538 GMC	416921!	328106R91 IH	473224	32QJ-19378 MACK	370006A	32X52X11TC TRSCM	1167
326283C91 IH	6635S	32812 GARLK	416921!	32QJ-225 MACK	370033A	32X52X7SC TRSCM	32X52X7!
3262W-179 ROCKW	HU019A	3281204 GMC	471570!	32QJ-226 MACK	370048A	32X52X7TC TRSCM	32X52X7!
32632 GARLK	415483	32815 C-R	455500	32QJ-226 MACK	380048A	32X54X10SC TRSCM	32X54X10
32635 US-EL	415302	32815 C-R	455500!	32QJ-233 MACK	415058	32X54X10TC TRSCM	32X54X10
326370 HYST	470774!	3282 PEERC	417344!	32QJ-235 MACK	370065A	32X55X10 SIMRT	32X55X10
32640 C-R	5408	32820804 TROS	6380	32QJ-237 MACK	370003A	32X56X10SC TRSCM	32X56X10!
32644 GARLK	415458!	32822 HYST	55301S	32QJ-241 MACK	416892	32X56X10TC TRSCM	32X56X10!
326475 MICH	455178	328220 TORO	410059	32QJ-243 MACK	415058	32X60X10SC TRSCM	32X60X10
326475 UNIVE	455178	328220 TORO	470380!	32QJ-250 MACK	370023A	32X60X10TC TRSCM	32X60X10
326487 UNIVE	417504	32822B HYST	55301S	32QJ-29301 MACK	370007A	32X60X8SC TRSCM	32X60X8!
326488 MICH	417504	328475 MICH	417210!	32QJ-29302 MACK	370001A	32X60X8TC TRSCM	32X60X8!
326499 UNIVE	455032!*	328475 UNIVE	417210!	32QJ-29304 MACK	370023A	32X62X8SC TRSCM	32X62X8
326500 MICH	455032!	328487 UNIVE	417211!	32QJ-29306 MACK	471272!	32X62X8TC TRSCM	32X62X8
326525 MICH	455189	328488 MICH	417211!	32QJ-29316 MACK	370023A	32X72X8SC TRSCM	32X72X8
326525 UNIVE	455189*	328499 UNIVE	416345!	32QJ-29318 MACK	416892	32X72X8TC TRSCM	32X72X8
32656 GARLK	417343!	328499 UNIVE	455033	32QJ-329 MACK	370023A	33 BL-KN	471689!
326594 H-S	417205!	328500 MICH	416345!	32QJ-330 MACK	370019A	330-3002 STEM	730009
326601 GMC	1174	328500 MICH	455033	32QJ110 MACK	417492	330-3005 STEM	730007
326601 GMC	38X52X8.5!	328512 UNIVE	415697!	32QJ111C MACK	417172	330-3006 STEM	730018
326645 JAC	472258	328512 UNIVE	455547	32QJ112B MACK	370019A	330-3007 STEM	733067
32669 DIVCO	240356	328525 MICH	417366!*	32QJ115A MACK	370011A	330-3008 STEM	730005
3267 PEERC	410496!	328525 UNIVE	417366!*	32QJ116B MACK	417172	330-3009 STEM	733067
326703R91 IH	471835!	32875 HYST	412040	32QJ118A MACK	416892	330-3011 STEM	730022
32676 GARLK	417158!	3289OS JN-MN	55228	32QJ119 MACK	370033A	330-3012 STEM	730026
32683 GARLK	416664!	328B21604 TROS	41075S	32QJ120 MACK	370011A	330-3013 STEM	733067
326871 JAC	473454	3292BG1 SPG	3292	32QJ121A MACK	370011A	330-3014 STEM	733067
326877 Y-T	455462	329313C91 IH	470682	32QJ122A MACK	370011A	330-3016 STEM	730035
326964 ACF	471646!	329551 SPICE	6808N	32QJ127A MACK	370003A	330-3019 STEM	730009
326964 H-S	471646!	32968 HYST	413247!	32QJ130A MACK	370007A	330-3022 STEM	730023
32698 GARLK	415984!	32969 HYST	415371	32QJ135A MACK	415058	330-3023 STEM	730010
326MA28-L C-R	472636!	32982 SPICE	6808N	32QJ136A MACK	370030A	330-3024 STEM	730004
327026 H-S	471442!	329J-225 MACK	370033A	32QJ140 MACK	370033A	330-3025 STEM	730003
32710 GARLK	417316!	32QF259 MACK	370001A	32QJ228 MACK	370007A	330-3028 STEM	730001
32712 WAYNE	450044	32QJ-00127A MACK	370003A	32QJ238 MACK	417172	330-3031 STEM	730019
32712M IH	473426	32QJ-131-A MACK	370048A	32QJ238A MACK	417172	330-3034 STEM	730027
327134R91 IH	473228!	32QJ-131-A MACK	380048A	32QJ240 MACK	370069A	330-3035 STEM	730003
32715 C-R	228250	32QJ-133A MACK	370033A	32QJ240 MACK	380069A	330-3037 STEM	730031
32719 GARLK	415960	32QJ-156 MACK	370020A	32QJ242 MACK	370019A	330-3039 STEM	730034
327203VG SPG	327203V	32QJ-158- MACK	370048A	32QJ246 MACK	370002A	330-3040 STEM	730008
327228R91 IH	416888!	32QJ-158- MACK	380048A	32QJ248 MACK	370033A	330-3041 STEM	730016
327229R91 IH	455480!	32QJ-160 MACK	370048A	32QJ249 MACK	370037A	330-3042 STEM	730149
327230R91 IH	455480!	32QJ-160 MACK	380048A	32QJ249 MACK	370338A	330-3044 STEM	730017
327240R91 IH	7516	32QJ-161 MACK	AR12+370033A	32QJ252 MACK	370048A	330-3045 STEM	730012
327245 WHITE	472016	32QJ-164 MACK	370023A	32QJ252 MACK	380048A	330-3046 STEM	730006

! Industrial Size/Type *Minor Width Difference

= The U.S. customer service number is 877-4-TIMKEN. The Canadian customer service numbers are 800-565-4927 (English) and 800-565-0438 (French-Canadian).

Mfr. No.	Name	Zero Duplication or Recommended Industrial	Mfr. No.	Name	Zero Duplication or Recommended Industrial	Mfr. No.	Name	Zero Duplication or Recommended Industrial	Mfr. No.	Name	Zero Duplication or Recommended Industrial
330-3056	STEM	730030	331107N	NATL	331107N!	33222411.25	TROS	416271!	3341RC	SUL	415645!
330-3060	STEM	730024	331129	SPG	473231!	332224X06	TROS	416271!	3341RC	SUL	455104
330-3066	STEM	730025	33114	C-R	416292	33222808	TROS	411245!	33425	C-R	228520
330-3077	STEM	357	33116	GARLK	416288!	33223207	TROS	415449!	33425	C-R	85X110X10
330-3078	STEM	730029	331210VG	SPG	331210V	33223208	TROS	415449!	33425	C-R	85X110X12!
330-3080	STEM	730003	33121608	TROS	455136	33223208C	TROS	415449	33426	C-R	85X110X12V
330-3097	STEM	730149	3312226	CLARK	9613S	33223210	TROS	415449!	33427	C-R	228520
330-3105	STEM	733105	331224	WAGMA	417344!	33223212	TROS	415449!	33427	C-R	85X110X12!
330-3106	STEM	733106	33122407	TROS	410987!	33223608	TROS	415302	33428	C-R	85X110X12V
330-3107	STEM	733107	33122408	TROS	410686N	33223609	TROS	415302	33429	C-R	228520
330-3108	STEM	733108	33122411	TROS	410987=	33224008	TROS	415483!	33429	C-R	85X110X12!
330-3109	STEM	733109	331228	SPG	331228H	33224408	TROS	455434	33434TA	TRSCM	412473
330-3110	STEM	733110	33122808	TROS	450104	33224808	TROS	416664!	33440	C-R	85X115X12!
330-3111	STEM	733111	33123608	TROS	413479	3323295	GMC	417487	33440	C-R	85X115X13!*
330-3112	STEM	733112	33123608C	TROS	411330!	33236	GARLK	417181!	33440	TROS	5711
330-3113	STEM	733113	33123808	TROS	411330!	33250	C-R	455612=	33443	C-R	85X115X13
330-3114	STEM	733114	33125	C-R	417491	3325179	GMC	415937!	334510	WHITE	471785!
330-3115	STEM	733115	33126	C-R	417491	33254	C-R	100557	33454	C-R	228410
330-S550	UNIVE	417506	33127	C-R	417491	33254	C-R	4544V	33454SA	TRSCM	417191
3300-10131	STLPLD JN-MN	509516	331301	AT SU	331301N	332590	SPG	8750S	33454SA	TRSCM	456585
3300-11793	STLPLD JN-MN	509516	33136	C-R	415085!	332590SK	SPG	8750S	33454TA	TRSCM	417191
330031	SPICE	476470	33136	C-R	456648	33260	C-R	455612*=	33460	C-R	710088
33004143	CHRYS	716445	33139	C-R	415085!	33261	TROS	450143	33460	GARLK	416624!
33004681	CHRYS	321460	33139	C-R	456648	332671	WHITE	473228!	33464TA	TRSCM	417354!
33009	GARLK	417349!	3313904	GMC	472397!	33270A20	AM HO	415116	334653	PEERC	470712!
330113	SPICE	50199S!	33140	C-R	415085!	33275	GARLK	417353!	334728	CATER	473229!
330113	SPICE	6863S!	33140	C-R	456648	332860	Y-T	415076	33473	WAYNE	450332
33017	HYST	411394!	33143	GARLK	417171!	3328698	CUMMI	100467	33484	GARLK	415991!
33018	GARLK	417350!	331454SA	TRSCM	456648	3328698	CUMMI	5732	33484	GARLK	415991
3302025	GMC	412473!	3314727	GMC	473211!	3328759	CUMMI	5728	33489	SPICE	471835!
33031	CHERY	472015!	3314728	GMC	471868	3328760	CUMMI	5734	33499	GARLK	47196!
33033	C-R	455500*	331495	JAC	471413!	3328761	CUMMI	5732	334F212-L	C-R	412119!*
33033	GARLK	415995!	3315623	FULLE	710211	332901C91	IH	473451!	334FF24	C-R	413469!
33033	GARLK	415995!	3315624	EATON	712512	3329522	GMC	471192	334HMS212-T8	C-R	412119!
330385	NATL	330385!	331572	JAC	470954!	3329BG	SPG	473238	334HMS220	C-R	412871!
33040	C-R	455500*	3315763	GMC	415219	332A23204	TROS	8975S	334N212	C-R	412119*
33041	C-R	455500	3315821	GMC	472439	332A233X04.5	TROS	8975S	334N212-T8	C-R	412119*
330414	NATL	472311!	33163	JOHND	481864	332FF216-L	C-R	6785	3350BP	SPG	3369=
330414	SPG	472311	3317031	GMC	471604	333009	WAGMA	470898	3350RB	SPG	3350
33042	GARLK	417351!	33177	C-R	415085!	3333	PEERC	415379	33511	GARLK	415437
330480	SPG	323138!	33177	C-R	456648	3333	PEERC	415379!	335131	C-R	450111
330487	UNIVE	417967!	331808C91	IH	471570!	33346	GARLK	416294!	33516008	TROS	417474
330488	MICH	417967!	331810C91	IH	471827!	33352	VIC	473230!	335164	JAC	471737
330499	UNIVE	415034!	331817	PEERC	473229	33353	SPICE	473214!	335196	GMC	3173
330500	MICH	415034!	33186	C-R	416313	33353	VIC	473214!	335196	GMC	710928
330525	MICH	455191*	33187	GEM	474278!	333625	PEERC	471354!	33519959	NOK	135X160X13
330525	UNIVE	455191*	3318749	GMC	417606	33364	GARLK	412473!	3351OS	JN-MN	471141!
33053	C-R	455500	3318750	GMC	417210!	333642	PEERC	470712!	33520808	TROS	415349
330532	HYST	456967V!	331882H	SPG	473459	333745C11	ROCKW	370023A	335210	C-R	410694!
33070	C-R	710294	331882H	TOWNR	473459	333750R91	IH	417316!	335210A	HARWA	33X52X8.5
33070	C-R	84X100X12!*	33195	C-R	455024*	33376	CRUSA	17720	335210M1	C-R	410694!
33073	C-R	416292*	331G210	C-R	5924	33379	GARLK	417191	335212	C-R	412119!
330749	SPG	8421S	331G28	C-R	44052	333794R91	IH	473214!	335212	FAIRB	412119!
330749VG1	SPG	330749V	3320	TLSMI	471538!	333840R91	IH	471643!	335212	GR-DV	412119!
33077	C-R	416292	332013	PEERC	471766!	333843R91	IH	473214!	335212K	SUL	412119!
3308001	BEHLN	471538!	332018	PEERC	473228	33390	C-R	477055	335212M1	C-R	412119!
3308008	BEHLN	350909	33202	CUSH	472287!	33394	GARLK	417354!	335212T8	C-R	412119!
3308008	BEHLN	471224!	33202E	CUSH	472287!	333949R91	IH	471267!	335214	C-R	411500
330810	WAGMA	413248	3320340	PEERC	471686	333983	WAGNR	416404=	335216	C-R	410496!
330867H	SPG	470898!	332040	PEERC	473010	333996R91	IH	415458!	335216M1	C-R	410496!
330931	WAGNR	416362	33206	C-R	415085!*	333996R92	IH	415458!	33522	C-R	450532
3309507	GMC	417196!	33209	C-R	455024	333998R91	IH	472258!	335220	C-R	412871!
331007C91	IH	415991!	33209	CRUSA	17720	3339S	SPG	417158=	335220M1	C-R	412871!
331007C91	IH	415991	33210	C-R	455024	334001	GMC	473210	33522808	TROS	417073
3310206	PEERC	417344!	332104	JAC	471649!	33405	C-R	228410	33523207.5	TROS	415001!
331028	PEERC	473228	332187	SPG	8804S=	3340RC	SUL	415034!	33523208	TROS	415001!
33103	PEERC	417344!	33221	GARLK	476470	33410	C-R	85X105X13	33523208C	TROS	415001!
33104	GARLK	417621!	3322107	GMC	473226	334111SS	SPG	334111	33523210	TROS	415001!
33107	GEM	417267	33221608	TROS	411376!	33412	C-R	716102	33524	C-R	413469!
33100S	JN-MN	472164!	33221611.25	TROS	411376!	33413	C-R	716102	33524	HARN	413469!
3311035	WOOL	415074	332220135	TROS	416444	33415	C-R	85X105X13!	33524007.5	TROS	417079
331107	SPG	331107N	33222408	TROS	416273!	3341D	GOODM	417511	33524808	TROS	417484!

! Industrial Size/Type * Minor Width Difference

= The U.S. customer service number is 877-4-TIMKEN. The Canadian customer service numbers are 800-565-4927 (English) and 800-565-0438 (French-Canadian).

NUMERICAL INTERCHANGE

Mfr. No.	Name	Zero Duplication or Recommended Industrial	Mfr. No.	Name	Zero Duplication or Recommended Industrial	Mfr. No.	Name	Zero Duplication or Recommended Industrial	Mfr. No.	Name	Zero Duplication or Recommended Industrial
33524810	TROS	417484!	3362	HYST	473446	33717	C-R	412473!	33784	C-R	417354!*
33524M1	C-R	413469!	336212J	SUL	412119!	3372	C-R	410102	33792	C-R	417354!
33525	C-R	412943	336274R91	IH	471692!	33721	GARLK	417211!	3379282	GMC	416654!
33525M1	C-R	412943	336275R91	IH	471692=	337210	C-R	450133	3379283	GMC	473473
33526	C-R	412943	336276R91	IH	415995!	337212	C-R	413247!	33793	C-R	417354!
33526M1	C-R	412943	336276R92	IH	415995!	337212M1	C-R	413247!	33793D	IH	416153!
33527	C-R	50631	33628	C-R	5128N	337214	C-R	413478	33795	C-R	417354!
33528	C-R	411253!	3362RC	SUL	473236!	337214M1	C-R	413478	3379OS	JN-MN	416158
33528	FAIRB	411253!	33633	ACF	471341!	337216	C-R	470605!	337FF214-L	C-R	413478
33528	GR-DV	411253!	33643	GATES	35402	337216M1	C-R	470605!	337W128	C-R	410524*
33528M1	C-R	411253!	33643	GATES	427RR	33722	C-R	450343	337W2	C-R	410102*
33528M1	CR-CF	411253!	33645	C-R	415442	337220M1	C-R	413248	337W2-M1	C-R	410102*
335447	GMC	5070	33645	C-R	55442	33723	C-R	412473!	337W210	C-R	472287!*
33555	C-R	85X120X12	33646	GARLK	416041	337240	PEERC	471766!	337W212	C-R	413247!
33557	C-R	85X120X12!	33650	C-R	415442	33725	C-R	412473!	337W212-M1	C-R	413247!
3355OS	JN-MN	450165	33650	C-R	55442	33728	C-R	412920!	337W214	C-R	413478*
3355OS	JN-MN	471801!	33653	ACF	471341!	33728M1	C-R	412920!	337W216	C-R	470605!
33563	C-R	85X120X12!	33653	HYST	471341!	3372K	FORD	410102	337W216-M1	C-R	470605!*
33568	GARLK	416332!	336537	WAGMA	416154!	3372M1	C-R	410102	337W22	C-R	450343*
33570	C-R	85X125X12	33654	C-R	475996H=	33733	GARLK	416345!	337W28	C-R	412920!
33580	GARLK	415937!	33655	GARLK	415379	33735	C-R	417191*	337W28-M1	C-R	412920!
33585	C-R	85X130X13	33661	GATES	35524	33735	C-R	455165!	33807	C-R	455249!*
33590	C-R	85X130X13	33662	C-R	416294!	33736	C-R	417191	3380RRR	SPG	710008
33593	C-R	85X130X13	336626R91	IH	472636	33736	C-R	455165!	3381	UNIVE	6754S=
3359RC	SUL	415991	33663	C-R	416294!	3373OS	JN-MN	55301S*	33812	C-R	455249!
3359RC	SUL	455146!	336631R91	IH	8481=	33740	C-R	417191	33813	C-R	455249!
335A212	C-R	412119!*	336631R92	IH	8481=	33740	C-R	455165!	33816	C-R	55431=
335B212	C-R	412119*	33664	C-R	416294!	33741	C-R	417191	3381858	GMC	417501
335B220	C-R	412871!*	336644	PEERC	476838!	33741	C-R	455165!	33821	C-R	416321
335B28	C-R	411253!*	336648	PEERC	472397!	33741	CHERY	471766!	33821	CHERY	473231!
335BM28	C-R	411253!	33665	C-R	416294!	33741	SPICE	471795	3382355	GMC	415379!
335F212	C-R	412119!*	336652	PEERC	473228	33742	CHERY	471272!	3382355	GMC	415379
335F216	C-R	410496!*	336656	PEERC	417262!	3374299	GMC	450332	33824	C-R	415025
335FF220	C-R	412871!	336659	PEERC	412119!	33745	GARLK	415697!	33825	C-R	415025*
335FM212	C-R	412119!*	33666	C-R	416294!	33746	C-R	417191	33826	C-R	415025*
335FM216	C-R	410496!*	33667	C-R	417491	33746	C-R	455165!	3382835	GMC	416077
335G216	C-R	40496S=	33667	GARLK	417205!	33747	C-R	417191	33834	C-R	415025
335G24	C-R	40097S	33669	C-R	475996H=	33747	C-R	455165!	338348R91	IH	411376!
335HD212	C-R	40101S	33670	C-R	412473!	3374775	GMC	471765!	338349R91	IH	411376!
335HD220	C-R	412871!	33682	C-R	412473!	33748	C-R	417191	338362	JAC	472397!
335W210	C-R	410694!*	33682	GARLK	416339	33750	C-R	417191	338366R91	IH	481073
335W212	C-R	412119!	336862	JAC	470954!	33750	C-R	456585	33837	C-R	415025*
335W212-M1	C-R	412119!	336863	JAC	471442!	337501	WHITE	471821!	33839	C-R	415025
335W214	C-R	411500*	33690	C-R	412473!	33755	C-R	417191	338394R91	IH	471564
335W214-M1	C-R	411500*	33691	C-R	412473!	33756	C-R	417191	33842	C-R	415025
335W215	C-R	50560	336918	ALLCH	205017	33757	C-R	417191	33843	C-R	415025
335W216	C-R	410496!	336962	JAC	471267!	33757	C-R	455165!	338490R91	IH	472070
335W216-M1	C-R	410496!	33698	C-R	412473!	337577	WHITE	412871!	338491R91	IH	470565=
335W22	C-R	450532*	33699	C-R	412473	33758	C-R	417191	338492R91	IH	473467=
335W220	C-R	412871!	336C124	C-R	210945	337619	PEERC	473228	338493R91	IH	415995!
335W220-M1	C-R	412871!	336F28	C-R	412920!	33763	GARLK	417366!	338494R91	IH	412473!
335W24	C-R	413469!*	336WL216-Y23	C-R	470605!	3376315	GMC	417497	338495R91	IH	415379=
335W24-M1	C-R	413469!*	33700	C-R	412473*	337647	PEERC	471766!	338496R91	IH	415458=
335W26	C-R	412943*	33700	C-R	412473!	33768	GEM	471267!	338497R91	IH	415437!
335W27	C-R	50631	33701	C-R	412473*	33769	C-R	417191	338498R91	IH	455040N=
335W28	C-R	411253!	33701	C-R	412473!	33769	C-R	456585	338499R91	IH	455685N=
335W28-M1	C-R	411253!	33703	C-R	412473!	3376RC	SUL	417488!	3385	UNIVE	417353!
33601	GARLK	417355!	33704	C-R	412473!	33771	WAYNE	50490=	338510R91	IH	415449=
336013R91	IH	417191	33705	C-R	412473!	337711C91	IH	456618	338511R91	IH	415995=
336018R91	IH	330385!	33706	C-R	412473!	337711C92	IH	456618	338512R91	IH	417354!
336052R91	IH	471255!	33707	C-R	412473!	33772	C-R	417354!*	338513R91	IH	415379=
336053R91	IH	471255!	33711	C-R	412473!	33772	WAYNE	471192	33853	C-R	415025
336090	JAC	471984	33711	C-R	412473*	33773	C-R	417354!*	338540R91	IH	415192N
33610	GATES	35126	337111	SPICE	411962=	33774	WAYNE	473211!	338542R91	IH	5302=
33610	GATES	427RR	337111	VIC	411962=	33777	C-R	417354!	338549R91	IH	416404!
336106R91	IH	450311	33712	C-R	412473*	33778	C-R	417354!	338588R91	IH	476470!
336107R91	IH	471652	33712	C-R	412473!	33778	SPICE	472394	338588R91	IH	476470
33613	GARLK	416125!	3371222	GMC	415035	3377RC	SUL	417354!	338589R91	IH	472185!
33617	DEXTR	473235	337128	C-R	410524	33780	C-R	417354!	338590R91	IH	470380!
33617	GATES	35292	337128M1	C-R	410524	33781	C-R	417354!	3386	IDECO	415138!
33617	KELSE	473235	337131	C-R	450497=	33783	HYST	418028	33860	C-R	416327
33617	LIGET	473235	33716	C-R	412473!	33783	HYST	455137!	33861	C-R	710235

! Industrial Size/Type *Minor Width Difference

= The U.S. customer service number is 877-4-TIMKEN. The Canadian customer service numbers are 800-565-4927 (English) and 800-565-0438 (French-Canadian).

Mfr. No.	Name	Zero Duplication or Recommended Industrial	Mfr. No.	Name	Zero Duplication or Recommended Industrial	Mfr. No.	Name	Zero Duplication or Recommended Industrial	Mfr. No.	Name	Zero Duplication or Recommended Industrial
3386221	GMC	416332!	340-4057	STEM	HU057A	34082	EATON	6532S=	343-4009	STEM	HWF009A
33866	C-R	416327*	340-4058	STEM	HU058A	340876	WHITE	417159	343-4011	STEM	HU011A
3387168	GMC	474278!	340-4065	STEM	HU065A	3408RC	SUL	470712!	343-4012	STEM	HU012A
338725C91	IH	416706!	340-4066	STEM	HU066A	34090	EATON	6532S=	343-4013	STEM	HU013A
3387499	GMC	471138!	340-4070	STEM	HU070A	340927C91	IH	415085!	343-4014	STEM	HU014A
338815R91	IH	471785!	340-4075	STEM	H075	340927C91	IH	456648	343-4019	STEM	HU019A
338817R91	IH	417351!	340-4091	STEM	HU024A	340928C91	IH	455008	343-4022	STEM	HU019A
338874R91	IH	472924!	340-4092	STEM	HU036A	340929C91	IH	415437	343-4024	STEM	HU024A
338875R91	IH	471224!	340-4093	STEM	HU110A	340929C91	IH	415437!	343-4025	STEM	HU036A
338877R91	IH	476424N	340-4095	STEM	HU009A	340980SSR	SPG	340980	343-4028	STEM	HU028A
3388840	GMC	473474	340-4096	STEM	HU066A	340A16006	TROS	6074	343-4029	STEM	HU028A
338899R91	IH	473231!	340-4098	STEM	HU009A	340D2	WHITE	6638S	343-4031	STEM	HU031A
338904R91	IH	415234!	340-4099	STEM	HU036A	340D4	WHITE	472636!	343-4034	STEM	HU034A
338F220	C-R	410708	340-4149	STEM	HU149A	341079C91	IH	415137!	343-4036	STEM	HU036A
338FF220-L	C-R	410708	340-4249	STEM	HU110A	341079C91	IH	418028	343-4042	STEM	HU042A
338YR220	C-R	410708	3400	LABEQ	415449!	3411035	WOOL	473473	343-4050	STEM	HU066A
3391OS	JN-MN	450193=	34008	NEWPPR	2465	34115	C-R	228700	343-4057	STEM	HU057A
33929	GEM	5976S	340098	VICK	417600	34116	C-R	710219	343-4058	STEM	HU058A
3393RC	SUL	415938	3400D5	WHITE	410987!	3411WA	OSHKO	55353	343-4065	STEM	HU065A
3394333	PEERC	473010	34010	GARLK	415035	34120	C-R	228700	343-4066	STEM	HU066A
3394345	PEERC	473228	340106C91	IH	415060	341293	WAGMA	416112	343-4075	STEM	H075
33949	DENCO	415991	340106C91	IH	455060	3414	EATON	50075=	343-4091	STEM	HU024A
33949	DENCO	455146!	340106C92	IH	415060	3415	EATON	473215!	343-4092	STEM	HU036A
3395	NATL	352444	340106C92	IH	455060	3416	EATON	470059	343-4093	STEM	HU110A
33950	DENCO	415960!	340107C91	IH	415351!	3416	EATON	470380!	343-4094	STEM	HU009A
339617	WAGMA	412861	340107C92	IH	415351!	3417	EATON	411253!	343-4096	STEM	HU066A
339681	HYST	415138* =	340141	NATL	470954!	341707	WHITE	470898!	343-4098	STEM	HU110A
339814	WHITE	471553!	340179C91	IH	370021A	3418494	CHRY	3103!	343-4101	STEM	HU149A
3398B	JN-MN	417316!	340188	WHITE	417316!	3418495	CHRY	3103!	343-4103	STEM	HU009A
3398OS	JN-MN	417316!	34020	EATON	416865!	34188	EATON	415085!	343-4111	STEM	HU028A
3399	LABEQ	471760	34020807.5	TROS	455080	34188	EATON	456648	343-4112	STEM	HU036A
339965C1	IH	5065	340211	NATL	471643!	341986R91	IH	5347* =	343-4113	STEM	HU110A
339B22407	TROS	415857!	34021607.5	TROS	415234!	341SR-52	MACK	370001A	343-4114	STEM	HU066A
33E1	OTISE	455591=	34021609.5	TROS	415234!	341SR31	MACK	370021A	343-4115	STEM	HU028A
33E2	OTISE	455592	34022407	TROS	410825	342009	SPG	472397!	343-4118	STEM	HU110A
33E4	OTISE	455596=	34022411.25	TROS	410825	34202	CUSH	471553!	343-4121	STEM	HU066A
33MAK1	OTISE	470898	34022805.75	TROS	3210	342055	WHITE	471354!	343-4122	STEM	HU009A
33MBP	OTISE	416107!	34023206	TROS	416273	34206	SPICE	8430S	343-4124	STEM	HU024A
33MBP	OTISE	455073	34023207.5	TROS	416273!	34206	VIC	8430S	343-4125	STEM	HU024A
33MCJ1	OTISE	472179	34023208	TROS	416273!	342111	DEVIL	473229	343-4126	STEM	HU009A
33MHH1	OTISE	410930=	34023607.5	TROS	415988	342118	WHITE	417484!	343-4128	STEM	HU024A
33X50X12SC	TRSCM	33X50X12!	34024006	TROS	415458!	342298	WHITE	410102	343-4129	STEM	HU028A
33X50X12TC	TRSCM	33X50X12!	34024007.5	TROS	415458!	3422OS	JN-MN	471692!	343-4141	STEM	HU024A
33X52X6SC	TRSCM	33X52X6	34024008	TROS	415458!	342346	WHITE	471689!	343-4146	STEM	HU065A
33X52X6TC	TRSCM	33X52X6	34024008C	TROS	415458!	342357	HYST	417537	343-4147	STEM	HU149A
33X52X8.5	SIMRT	33X52X8.5	34024011.25	TROS	415458!	34240	C-R	418029!	343-4159	STEM	HU036A
34	BL-KN	473243	34024012	TROS	415458!	34241	C-R	418029!	343-4165	STEM	HU034A
340-4002	STEM	HU019A	34024807.5	TROS	415984!	34249	C-R	418029!	343-4174	STEM	HU110A
340-4005	STEM	HU005A	34024809.5	TROS	415984!	3424OS	JN-MN	450311	343-4183	STEM	HU036A
340-4006	STEM	HU008A	34025	GARLK	415035	34250	C-R	418029!	34300	C-R	417492
340-4007	STEM	HU007A	34027	SPICE	5778	34255	GARLK	416556!	34301	C-R	417492
340-4008	STEM	HU008A	34027-1	SPICE	5778	34255	GARLK	472157	34302	GARLK	416135!
340-4009	STEM	HU009A	3402RC	SUL	417191	34256	C-R	418029*	34304	DENCO	470625!
340-4009	STEM	HW009A	3402RC	SUL	456585	34256	C-R	418029!	34317H	DIA	471224!
340-4011	STEM	HU011A	3402S	SPG	3402	342637	WHITE	415041	34317W	DIA	240151
340-4012	STEM	HU012A	34035	GARLK	417356!	34266	C-R	418029!	34319	SPICE	415960
340-4013	STEM	HU013A	340364	SPG	350364	34270	LEECE	473238	34319	VIC	415960
340-4014	STEM	HU014A	340398	NATL	471267!	34275	GARLK	415196!	34320H	IH	473444
340-4019	STEM	HU019A	340412R91	IH	410708	34276	C-R	417492	343229	WHITE	473464
340-4024	STEM	HU024A	340413R91	IH	471504	34277	C-R	417492	343229	WHITE	473464!
340-4025	STEM	HU036A	340430	WHITE	450593!	34279	C-R	417492	34325	C-R	417492
340-4028	STEM	HU028A	340435	NATL	240435	3427RC	SUL	470530!	3432691	CHRY	5124
340-4029	STEM	HU028A	340435	NATL	350435	34282	C-R	417492	34336	C-R	417493*
340-4031	STEM	HU031A	34046	EATON	370021A	34283	C-R	417492	34338	C-R	417493!
340-4034	STEM	HU034A	340541	WHITE	474253!	34284	C-R	417492	3433B	JN-MN	472179
340-4036	STEM	HU036A	34055	GARLK	417357	3428XA	SPG	3428	34341	C-R	417493
340-4037	STEM	HU037A	3405RC	SUL	471466!	34292	C-R	417492	34342	C-R	455026
340-4039	STEM	HU039A	3406	SPG	1973	34293	C-R	417492	343499	WHITE	471549!
340-4042	STEM	HU042A	3406	SPG	48X65X10!	34294	CHERY	473245!	343500	WHITE	471137
340-4046	STEM	HU009A	3406RC	SUL	471466!	34295	CHERY	455151	343539R91	IH	471224!
340-4049	STEM	HU149A	340734	NATL	343186	34297	GARLK	416891!	343548R91	IH	471255!
340-4050	STEM	HU042A	34075	GARLK	416130!	343-4009	STEM	HU009A	34364	C-R	417493

! Industrial Size/Type * Minor Width Difference

= The U.S. customer service number is 877-4-TIMKEN. The Canadian customer service numbers are 800-565-4927 (English) and 800-565-0438 (French-Canadian).

NUMERICAL INTERCHANGE

Mfr. No.	Name	Zero Duplication or Recommended Industrial	Mfr. No.	Name	Zero Duplication or Recommended Industrial	Mfr. No.	Name	Zero Duplication or Recommended Industrial	Mfr. No.	Name	Zero Duplication or Recommended Industrial
34370	C-R	455858	34422	C-R	455026	347841R1	IH	JX1136	34886	C-R	415991
343715R91	IH	471692!	344278	GMC	473204	347842R1	IH	JX1190	34886	C-R	455146!
34383	C-R	455858*	34438	C-R	455471*	347913R1	IH	JX1002=	34887	C-R	415991*
34384	C-R	370037A	34445	C-R	455471*	347913R91	IH	JX1002=	34888	C-R	415991
34385	C-R	455858	34449	CASE	471570!	347W212	C-R	410987!	34888	C-R	455146!
34386	C-R	370047A	3444E	GOODM	415196!	348-X414	C-R	5965	34889	C-R	415146!
343861	PEERC	470328	344531C91	IH	472397!	3480	DICO	204020	34889	C-R	415991
343861	PEERC	481213!	34455	GARLK	416888!	3480	DICO	204505!	34890	C-R	5965
343862	PEERC	472311!	34470	C-R	455472=	34820	HYST	415007	34891	C-R	415991!
34387	C-R	370047A	34474SA	TRSCM	455858	348212	C-R	410987!	34891	C-R	415991
34387	C-R	5649	34475	GARLK	416153!	348212M1	C-R	410987!	34892	C-R	415991*=
343899	AUTOZ	13367	3447S	SPG	3447	348214	C-R	450104	34893	C-R	415991
3438N	WMG	471766!	3447SAR	SPG	6815	348214M1	C-R	450104	34893	C-R	455146!
3438R	SPG	471766=	344867	GUY	471224!	348218	C-R	413479	34895	C-R	415991
34398	C-R	417494*	3448OS	JN-MN	416271!	348218M1	C-R	413479	34895	C-R	455146!
3439R	SPG	3439N=	34498	GARLK	416892!	348219	C-R	411330!	34896	C-R	415991
343CS116	C-R	6922=	3449B	JN-MN	416654!	348219L	C-R	411330!	34896	C-R	455146!
34400	C-R	417494	344G28	C-R	41075S	348220	C-R	450412	34897	C-R	415991
34401	C-R	417494	344RC	SUL	455032!	348220M1	C-R	450412	34897	C-R	415991!
34407	C-R	455026*	345208A	HARWA	34X52X8	34823208	TROS	455079!	34899	C-R	415146!
3440VG3	SPG	415458	345303	WHITE	45637S	34823608	TROS	417481	34899	C-R	415991
34410	C-R	455026*	34531	WAYNE	473244	34824008	TROS	417343!	348W212	C-R	410987!
34411	C-R	455026*	345327	WHITE	473215!	34824308	TROS	7780	348W212-M1	C-R	410987!
344151	AUTOZ	12473	34539	HYST	416158	34824408	TROS	455151	348W214	C-R	450104
344153	AUTOZ	16200	3455	NATEN	417546!	34824804	TROS	46997S	348W218	C-R	413479
344154	AUTOZ	16201	3455B	JN-MN	415991	34824808	TROS	417316!	348W220	C-R	450412
344155	AUTOZ	16202	3455B	JN-MN	455146!	34824810.25	TROS	417316!	348W228	C-R	455136
344156	AUTOZ	16203	3458S	GIB	473235!	34824812	TROS	417316!	348W28-M1	C-R	455136
344157	AUTOZ	16204	3459952	CHRYS	370001A	34825208	TROS	455005	34900	C-R	415991
344158	AUTOZ	16205	3459952	CHRYS	380001A	34825608	TROS	471344	34900	C-R	455146!
344159	AUTOZ	16206	3459S	GIB	471870!	34825610	TROS	417344!	34903	C-R	415991
344161	AUTOZ	16208	34610	C-R	3772	34825610.25	TROS	417344!	34903	C-R	455146!
344162	AUTOZ	16209	34610	C-R	5287	34825616	TROS	417344!	34904	C-R	415146!
344163	AUTOZ	16210	34611	C-R	3772	34826008	TROS	416956	34904	C-R	415991
344164	AUTOZ	16211	34611	SPICE	442380	34828	C-R	455136	34906	C-R	415991
344165	AUTOZ	16212	34612	SPICE	416273!	34828M1	C-R	455136	34907	C-R	415991
344166	AUTOZ	16213	34612	VIC	416273!	34830006	TROS	417349!	34907	C-R	455146!
344167	AUTOZ	16214	34615	SPICE	9316	34830008	TROS	417349	34908	C-R	415991!
344169	AUTOZ	16250	3461793	GMC	4175	34834	C-R	455858	34908	C-R	415991
344170	AUTOZ	16251	3461895	CHRYS	6960	34835	C-R	710029	34909	C-R	415991
344171	AUTOZ	16252	34620	C-R	88X110X12	34844	C-R	45525S	34909	C-R	455146!
344172	AUTOZ	16253	346210A	HARWA	34X62X10!	34848	C-R	446927!	34912	C-R	415991
344173	AUTOZ	16254	34623	C-R	88X110X12!	34848	C-R	45525S	3491250	CHRYS	323126
344174	AUTOZ	16255	34625	GARLK	415138!	34857	C-R	418029!	3491349	CHRYS	PSK-1
344175	AUTOZ	16256	34631	CATER	471765!	34860	C-R	416624!*	34918	C-R	415991
344177	AUTOZ	16257	34631	TMTR	471765!	34861	C-R	416624!*	34918	C-R	455146!
344178	AUTOZ	16258	34634	GEM	240356	34862	C-R	416624!	34919	C-R	415991
344179	AUTOZ	16259	34645	GARLK	417247!	34863	C-R	416624!	34919	C-R	455146!
344180	AUTOZ	16260	34650	C-R	55309=	34864	C-R	55309*=	34925	C-R	415991!
344181	AUTOZ	16261	34650	C-R	88X115X12!	34865	C-R	416624!*	34925	C-R	415991
344182	AUTOZ	16262	346738R91	IH	100494	34866	C-R	416624*=	349295C1	IH	456744N
344183	AUTOZ	16263	346738R91	IH	476470!	34866	SPICE	416624=	3492V	SPG	3492
344185	AUTOZ	16264	346812R91	IH	471692!	34867	C-R	416624!*	34931	C-R	415146!
344186	AUTOZ	16265	346FF2-L	C-R	8139	34867	SPICE	416624!	34931	C-R	415991
344187	AUTOZ	16266	34700	C-R	2055	34868	C-R	416624!*	34934	C-R	415991
344188	AUTOZ	16300	347122R2	IH	JV1976=	34869	C-R	416624!*=	34934	C-R	415991!
344189	AUTOZ	16301	347150C91	IH	417365	34871	C-R	55309*=	34945	C-R	415991=
34419	SPICE	473228	34718	EATON	470565!	34872	C-R	416624!	34955	C-R	345146*
34419	VIC	473228	347224	C-R	480491*	34874	C-R	416624!	3496234	CHRYS	470954
344190	AUTOZ	16302	347235R91	IH	471785!	34875	C-R	416624!	3496557	CHRYS	417158!
344191	AUTOZ	16303	347245R91	IH	471785!	34876	C-R	416624!	34967	C-R	345146
344192	SPICE	473228	34739	WAYNE	471787!	34877	C-R	416624!	34968	SPICE	473229!
344193	AUTOZ	16304	34744	WAYNE	471553!	34878	C-R	415899N	34971	C-R	370131A
344194	AUTOZ	16305	347451	GMC	473313!	34878	C-R	416624	34972	C-R	370132A
344195	AUTOZ	16306	347497	WHITE	471267!	3488	CR-CF	411253!	34973	C-R	415991
344196	AUTOZ	16307	347568R91	IH	473239!	3488	MURPH	473446	34973	C-R	455146!
344197	AUTOZ	16308	347569R91	IH	473239!	34883	C-R	415991*=	34974	C-R	415991
344198	AUTOZ	16309	347570R91	IH	415138!	34884	C-R	415899N	34974	C-R	455146!
344199	AUTOZ	16310	347583R91	IH	415234!	34884	C-R	416624	3497490	CHRYS	453510
3441VG1	SPG	416921	347652R91	IH	417487!	348848C91	IH	473228	34975	C-R	370132A
344201	AUTOZ	16311	347652R91	IH	417487	348848C91	IH	9316	34978	C-R	417196!
344202	AUTOZ	16312	347804R91	IH	415138!	34885	C-R	9339S	34980	C-R	370132A

! Industrial Size/Type * Minor Width Difference

= The U.S. customer service number is 877-4-TIMKEN. The Canadian customer service numbers are 800-565-4927 (English) and 800-565-0438 (French-Canadian).

Mfr. No.	Name	Zero Duplication or Recommended Industrial	Mfr. No.	Name	Zero Duplication or Recommended Industrial	Mfr. No.	Name	Zero Duplication or Recommended Industrial	Mfr. No.	Name	Zero Duplication or Recommended Industrial
34982	C-R	417196!	350215	NATL	471646!	350567C91	IH	473228!	350983	NATL	472179
34983	C-R	417196!	350216	ALLCH	415449!	35057	C-R	417198	35099	C-R	415559
34985	C-R	417196!*	350216	C-R	415449!	350570	WHITE	416654	350A216	C-R	415449!
34985	VIC	417196!	350216	CABOT	415991	35058	C-R	376590A	350AMM216	C-R	415449!
34990	C-R	417196!	350216	CABOT	455146!	35059	C-R	370001A	350AMM216-Q6	C-R	415449!
34991	C-R	417196!	350216	CLARK	415449!	35059	C-R	380001A	350B212	C-R	416271!*
34992	C-R	417196!	350216	GR-DV	415449!	3506	IRON	330385!	350B216	C-R	415449!
34993	C-R	417196!	350216K	GOODM	415449!	3506	UNIVE	455037	350B218	C-R	415449!
34994	C-R	370132A	350216M1	C-R	415449!	35060	C-R	455022	350BM212	C-R	416271!*
34995	C-R	417196!	350218	C-R	415302	35060+455004	C-R	380001A	350C28	C-R	411376!
34996	C-R	2055	350218	CLARK	415302	350612VD	SPG	224026	350CHA216	C-R	415449!
34999	C-R	415437	350218M1	C-R	415302	35062	C-R	370001A	350F212	C-R	416271!*
349A216	C-R	415449!	35022	C-R	415437	35062	C-R	6638S	350F216	C-R	415449!
349AM216	C-R	415449!	350220	C-R	415483!	35064	C-R	417198	350FM212	C-R	416271!*
349AMM216	C-R	415449!	350220M1	C-R	415483!	350645	ADAMS	412119!	350FM216	C-R	415449!
349B216	C-R	415449!	350220T8	C-R	415483!	350645	LETN	412119!	350G130	C-R	45653S
349BM212	C-R	416271!*	350222	C-R	455434	35065	C-R	417196!	350G224	C-R	45827S
349BMZ216	C-R	415449!	350224	C-R	416664!	35066	C-R	370001A	350HD224	C-R	45827S
349E216	C-R	415449!	350224M1	C-R	416664!	35066	C-R	380001A	350MA216-L	C-R	415449!
349M212-L	C-R	416271!*	35023	C-R	415437	350679R91	IH	6312	350N216	C-R	415449!
349W212	C-R	410987!	350230	SPG	471689!	35069	C-R	6638S	350T210	C-R	416444
349W212	C-R	450686	35028	C-R	411376!	3507	UNIVE	416271!*	350W210	C-R	416444
34X45X8SC	TRSCM	34X45X8	35028	HYST	55309=	35070	C-R	415027	350W212	C-R	416271!
34X45X8TC	TRSCM	34X45X8	35028M1	C-R	411376!	35070	SPG	416865!	350W212-M1	C-R	416271!
34X52X8	SIMRT	34X52X8	35029	C-R	415437*	35070S	SPG	416865!	350W214	C-R	411245!
34X52X8SC	TRSCM	34X52X8	35029	C-R	415437!	35071	C-R	415027	350W214-M1	C-R	411245!
34X52X8TC	TRSCM	34X52X8	35029	HYST	417181!	35071	C-R	415027!	350W216	C-R	415449!
34X54X9SC	TRSCM	34X54X9	35030	C-R	415437	35071	NOK	2146	350W216-M1	C-R	415449!
34X54X9TC	TRSCM	34X54X9	35030	C-R	415437!	35072	C-R	370001A	350W216-T8	C-R	415449!
34X55X9SC	TRSCM	34X55X9	35030	GARLK	415725!	35072	C-R	380001A	350W216-Y26	C-R	415449!
34X55X9TC	TRSCM	34X55X9	35030	HYST	417605	350737R91	IH	472636!	350W218	C-R	415302
34X62X10	SIMRT	34X62X10!	350319	NATL	481163!	35075	C-R	370002A	350W220	C-R	415483!
34X62X10SC	TRSCM	34X62X10!	35033	C-R	417159	35075	NATL	416476!	350W220-M1	C-R	415483!
34X62X10TC	TRSCM	34X62X10!	35034	SPG	415034!	35075+455011	C-R	370013A	350W222	C-R	455434
35	BL-KN	413246	35035	AMC	471570!	35075+455011	C-R	380001A	350W224	C-R	416664!
3500	GEM	323138!	35035	SPG	415035	3507585	CHRY5	6808N	350W28	C-R	411376!
35000	C-R	380001A	350355	NATL	471538!	350769R91	IH	6312	350W28-M1	C-R	411376!
35000	C-R	415437	35036	C-R	415437	35077	C-R	415027	350W525	CONE	5551
35001	SPG	415001!	350363	NATL	473234!	35078	C-R	415027!	350YM216	C-R	415449!
35003S	SPG	415458!	350385	NATL	330385!	35078	C-R	415027	35100	C-R	415559
3500495	WHITE	450400	3503S	SPG	3503=	35080	C-R	415027	35101N	SPG	416282
35006	SPG	417344!	35040	C-R	476424N	35080	GARLK	416865!	35102	C-R	370001A
35009N	NATL	415960!	35040	GARLK	415725!	35082	C-R	415027!	35102	C-R	380001A
35010	C-R	415437*	35042	C-R	415437*	35082	C-R	415027	35103	C-R	370001A
35011	C-R	415437!	350435	WMG	50435	350822R91	IH	6180=	35106	C-R	415559*
35011	C-R	415437	35045	C-R	415437*	35083	C-R	415027*	35107	C-R	417496
35011	SPG	416921!	3504679	GMC	6064	35084	C-R	415027!	35109	C-R	417496
350112	C-R	455292=	350476	ADAMS	471750!	35084	C-R	415027	3511035	C-W	415449!
35012	C-R	415437*	35048	C-R	415437!	35085	C-R	415027	3511035	WOOL	415449!
35012N	NATL	416654	35048	C-R	415437	35085	C-R	415027!	351108R1	IH	413469!
35013	C-R	476424N	35049	C-R	415437!	35086	C-R	417495*	351108R91	IH	413469!
350140	NATL	471413!	35049	C-R	415437	35086N	SPG	417487!	35111	C-R	455396
35015	C-R	415437	350493	WHITE	450400	35086N	SPG	417487	351113	RELEE	470898
35016	C-R	476424N	350502	ADAMS	455151	35087	C-R	415027	35112	C-R	6245S=
35016N	SPG	416288	350502	LETN	455151	35087	C-R	415027!	351123	RELEE	473237!
35017	C-R	415437*	350503	ADAMS	472439	350878	SPG	473424!	35114	C-R	6245S=
35018	C-R	415437*	350504	ADAMS	471224!	35089	C-R	415027	351181	NATL	481181!
35019	C-R	415437	350504	LETN	471224!	35089	C-R	415027!	351196VD	SPG	351196V
3501V	SPG	3501V	350504	WABCO	471224!	350891R91	IH	472560N!	35120	C-R	710188
35020	C-R	415437*	350509	NATL	15X25X7	350892R91	IH	471267!	351206	NATL	473237!
350203	NATL	481443!	35051	SPG	415371	3509	GEM	471271!	351224	NATL	471224!
35021	C-R	415437	350535	ADAMS	417316!	3509	ROSS	471271!	351264	NATL	471264!
350210	C-R	416444	350535	LETN	417316!	350902	SPG	471765!	351264	SPG	471264!
350210M1	C-R	416444	350537	WHITE	476838!	350918	NATL	473241	351270	NATL	471270!
350212	C-R	416271!	350539	ADAMS	470059	35092	C-R	415027	351271R91	CASE	470712!
350212	GR-DV	416271!	350539	ADAMS	470380!	350936N	WMG	350936	351276R91	IH	471765!
350212M1	C-R	416271!	350539	LETN	470059	35094	C-R	417495	351281	NATL	471281!
350212Q6	C-R	416271!	350539	LETN	470380!	35095	C-R	417495	35130	C-R	6245S=
350214	C-R	411245!	350539	WABCO	470059	35095S	SPG	416271!	35130	GARLK	417278
350214	CABOT	411245!	350539	WABCO	470380!	35096	C-R	415559*	351315	NATL	472705!
350214	GR-DV	411245!	350543	SPG	474272	350974	NATL	350974	351354	NATL	471354!
350214M1	C-R	411245!	3505509	GMC	5756	35098	C-R	6612S*	35137S	SPG	415137!

! Industrial Size/Type * Minor Width Difference

= The U.S. customer service number is 877-4-TIMKEN. The Canadian customer service numbers are 800-565-4927 (English) and 800-565-0438 (French-Canadian).

NUMERICAL INTERCHANGE

Mfr. No.	Name	Zero Duplication or Recommended Industrial	Mfr. No.	Name	Zero Duplication or Recommended Industrial	Mfr. No.	Name	Zero Duplication or Recommended Industrial	Mfr. No.	Name	Zero Duplication or Recommended Industrial
35137S	SPG	418028	353079X1	MASSE	415449!	35432	C-R	90X120X12!	355821	NATL	327303!
351398	SPG	351398	353085	RELEE	413248	35437	SPG	415437	355851	WHITE	471554!
3513S	SPG	3513	35310	GARLK	417262!	3543A	HERCU	45637S	35589	C-R	415711*
35133GR	SPG	8622	35311	SPICE	416273	3543D5	WHITE	410737!	35592	C-R	415711
3513SS0	SPG	3517	35311-1	SPICE	416273	35440	C-R	90X125X12	35593	C-R	415711*
3513VJ0	SPG	3517V=	353128	NATL	470328	35440	C-R	90X125X13!*	355G212	C-R	40101S
351442	NATL	471442!	353128	NATL	481213!	35440	C-R	90X125X7*	355HC26-L	C-R	3103!
351466	NATL	471466	35313	SPICE	4250	35448	GMC	471570!	3560	C-R	9X26X7
35146S	SPG	415146!	35313-4	SPICE	4250	3545	C-R	9X22X7V	356010A	HARWA	35X60X10!
35146S	SPG	415991	353136	NATL	471737	35450	C-R	90X130X12	3560459	HYST	200870
35149	SPG	417343!	353138	NATL	323138!	35450	GARLK	417359	35608	HYST	415984!
35149DA	IH	470530!	353183R91	IH	471466!	354514R91	IH	476838!	35620	GARLK	417254
3515137	CHRY5	331227H	353188	NATL	470380!	35451D	IH	471192	35622407.5	TROS	417480!
3515138	CHRY5	331228H	353193	NATL	471765!	35454PTA	TRSCM	415991!	35623207.5	TROS	415082
351526	NATL	471526!	353224M1	C-R	457291*	35454PTA	TRSCM	415991	35624007.5	TROS	415007
3515383	CHRY5	7300S	35322S	SPG	417484!	35455	C-R	229520*	35624407.5	TROS	455008
3515384	CHRY5	2506	35347	WHITE	417159	35455	C-R	95X130X12!*	35624807	TROS	415960!
351552	NATL	471558	35347S	SPG	417159	354598R91	IH	450269	35624807.5	TROS	415960
351554	NATL	471554!	35348N	SPG	475348N	35460	TROS	471141!	35624807C	TROS	415960!
3515569	CHRY5	472164!	35350	GARLK	417358	35465	C-R	90X135X12	35624808	TROS	415960
35156	SPG	5578	35354	C-R	416125!	3546D	GOODM	415196!	35624810	TROS	415960
351567	NATL	471567!	35354S	SPG	416404!	3546E	GOODM	415196!	35624812	TROS	415960
351570	NATL	471570!	3535A	JOHND	472924!	35474TA	TRSCM	455396	35625207.5	TROS	417485
351571	NATL	471571	353716RB	SPG	223010	3549392	CHRY5	5414	35645	HYST	417601
35160	SPG	417171!	353716RX	SPG	223010	3549393	CHRY5	5576	35647	DENCO	415995!
35162	SPG	417181!	35374D	IH	481443!	3549394	CHRY5	5576	35648	C-R	417497
35164	SPG	412473!	35380S	SPG	410825	3549395	CHRY5	5127	35649	C-R	417497*
351643	NATL	471643!	3539RC	SUL	417171!	35494SA	TRSCM	415027!	35649	DENCO	471766!
351649	SPG	471649!	3540	C-R	9X22X7	35498S	SPG	415498	35650	DENCO	471820
351689	NATL	471689!	35400	GARLK	415645!	354B216	C-R	415001!*	35650	GARLK	417360
3517	NATL	9845	35405	C-R	710189	354B224	C-R	417484!	356502R91	IH	472287!
351760	NATL	471760	35407	C-R	229005	354BM224	C-R	417484!	356503R91	IH	472287!
351763	NATL	471763	35409	C-R	229005*	354N216	C-R	415001!	35658	DENCO	470625!
351802C92	IH	370023A	35409	C-R	229006	354TL215	C-R	6575S	3566	GMC	471192
3519D5	WHITE	415458!	35409S	PETTI	415498	354W210	C-R	455647=	35675	C-R	417498
351M212-L	C-R	416271!	3540RC	SUL	416738!	354W212	C-R	412861	35676	C-R	417498*
351M218-L	C-R	415302	3540RC	SUL	450096	354W212-M1	C-R	412861	35680	GARLK	416107!
352009	NATL	472397!	35410	C-R	229006	354W214	C-R	417073	356806A	HARWA	35X68X10!
352039	CONTI	416956	35411	C-R	90X110X13!*	354W214-M1	C-R	417073	35688	C-R	55028*
352068	CONTI	451583!	35411S	RELEE	416664!	354W216	C-R	415001!	356887R91	IH	471570!
352080	NATL	472164!	354116	C-R	455308	354W216-M1	C-R	415001!	35689	C-R	471567!*
352080R91	IH	470625!	35412	C-R	229005	354W218	C-R	455311	356923	NATL	415379
3520D5	WHITE	5M867	354124	C-R	455536*	354W224	C-R	417484!	356923	NATL	415379!
3521	GEM	471267!	354124M1	C-R	455536	3550	C-R	9X24X7	35693	TROS	8996S=
352113	RELEE	470605!	35412VB	TRSCM	446927!	355067	RELEE	476470	35697	SPICE	417480!
352118	CONTI	6324S=	35413	C-R	90X110X12V	355082	NATL	415082	356RC	SUL	473228
352122	RELEE	471272!	354130	C-R	417474*	355095	SPG	416271!	356W525	CONE	5532
35220	FMC	415035	35414	C-R	229005	35510	FI-CO	471765	357	IDECO	455480!
35220	FMC	415035!	354176C91	IH	5778	35511	FI-CO	474255	357-501-641-B	VW	1962
352270A	CHRY5	471766!	3542	C-R	9X22X7V!	35511	SPICE	5329	357037R91	IH	472636!
352311	SPG	472311!	35420	C-R	90X115X12	35511	VIC	5329	35705	C-R	55028
35234S	SPG	415234	35421	C-R	90X115X12!*	35512	SPICE	472164!	35710	GARLK	417361
352352	NATL	6703S	354210	C-R	455647=	35512	VIC	472164!	35716	C-R	55028*
35236	HYST	472299	354212	C-R	412861*	355121	VIC	472164!	357203R91	IH	470898
352369	HYST	415725!	354212M1	C-R	412861*	355131R91	IH	473232	35722	ALLCH	415138!
35239	SPICE	9912	354214	C-R	417073*	35514TA	TRSCM	417495	35723	SPICE	5778
35239	VIC	9912	354214	SUL	417073	3553	GEM	470954	35724	SPICE	6808N
352407	WHITE	472636!	354214M1	C-R	417073	355305	NATL	415991	35724	VIC	6808N
352412	WHITE	415449!	354216	C-R	415001!	355305	NATL	455146!	35725	SPICE	9316
352477C91	IH	5778	354216K	FAIRB	415001!	35544	SHOV	455397	35725V	SPICE	9316
352488	GMC	5070	354218	C-R	455311*	355488	GMC	5070	35731	CATER	473438
352541	MERCM	352541	354220M1	C-R	417079	3554B	JN-MN	472397!	35738	HYST	417205!
35256	SPICE	417487	354224	C-R	417484!	355526	NATL	417350!	3574	DICO	205004
35266	DENCO	415088!	354224M1	C-R	417484!	35555	C-R	415498	357424	SUL	415138!
35266	DENCO	415088	35426M1	C-R	415001!	35556	C-R	415498*	3575	UNIVE	370005A
35272	SPG	416706	35429	SPICE	2064	35562	C-R	415498*	35750	C-R	455402=
352847	MANT	417487	35429	VIC	2064	355660HA	SPG	355660H	3575V	SPG	416624=
352847	MANT	417487!	35430	C-R	90X120X12	35568	C-R	415498*	357672R91	IH	412119!
352998	NATL	473231!	354309	WHITE	473367!	35569	SPG	416394	3577303	CHRY5	5414
3530	UNIVE	370019A	354309	WHITE	473367	3556B	JN-MN	471195!	3577305	CHRY5	5127
35304	WAYNE	240356	35431	C-R	90X120X12V	3556LUP	JN-MN	471195!	357769R91	IH	473232
353052	RELEE	415303!	354316	WHITE	471466!	355810A	HARWA	35X58X10	357770R91	IH	473238

! Industrial Size/Type * Minor Width Difference

= The U.S. customer service number is 877-4-TIMKEN. The Canadian customer service numbers are 800-565-4927 (English) and 800-565-0438 (French-Canadian).

OIL SEALS

357773R91 – 361049R91

Mfr. No.	Name	Zero Duplication or Recommended Industrial	Mfr. No.	Name	Zero Duplication or Recommended Industrial	Mfr. No.	Name	Zero Duplication or Recommended Industrial	Mfr. No.	Name	Zero Duplication or Recommended Industrial
357773R91	IH	473232	358815R91	IH	471765!	359790R91	IH	472179	35X60X10SC	TRSCM	35X60X10!
357774R91	IH	473238!	358817R91	IH	200600	3597B	JN-MN	472492!	35X60X10TC	TRSCM	35X60X10!
35777B	JN-MN	455476*	358818R91	IH	80313	359813R91	IH	450869	35X62X10SC	TRSCM	35X62X10
357820	SPG	80X100X10!	358819R91	IH	417316!	35986	CONTI	416956	35X62X10TC	TRSCM	35X62X10
357830C91	IH	417485	358821R91	IH	471649!	3598F	OSHKO	471766!	35X62X7SC	TRSCM	35X62X7!
3578447	CHRYSS	471539	358822R91	IH	472439	359917C91	IH	370001A	35X62X7TC	TRSCM	35X62X7!
357928R91	IH	412119!	358823R91	IH	473367	359917C91	IH	6638S	35X62X8SB	TRSCM	35X62X7!
357937R91	IH	410059	358824R91	IH	473421	359919C1	IH	JX1125	35X62X9SC	TRSCM	1955
357937R91	IH	470380!	358825R91	IH	472924	359919C1	ROCKW	JX1125	35X64X8SC	TRSCM	35X64X8!
357966R91	IH	416380!	358826R91	IH	411394!	35992	CONTI	455079!	35X64X8TC	TRSCM	35X64X8!
357967R91	IH	473238	358827R91	IH	418029!	359922C91	NAVST	370048A	35X65X10SC	TRSCM	35X65X10!
357968R91	IH	471442!	358828R91	IH	455500	359922C91	NAVST	380048A	35X65X10TC	TRSCM	35X65X10!
357969R91	IH	417344!	358829R91	IH	455005	359926C92	IH	370023A	35X65X8ASN(32)	ISP	35X65X8
357970R91	IH	471192	358830R91	IH	456105	359926C92	IH	456873=	35X68X10	FORSH	35X68X10!
357971R91	IH	472016	358832R91	IH	474279N	359927C1	IH	JX1128	35X70X8SC	TRSCM	35X70X8
357972R91	IH	410708	358833R91	IH	6312	359928C92	IH	415064	35X70X8TC	TRSCM	35X70X8
357973R91	IH	410059	358834R91	IH	6180=	359951R92	IH	473517!	35X72X10SC	TRSCM	35X72X10
357973R91	IH	470380!	358836R91	IH	472560N!	359952R91	IH	473517!	35X72X10TC	TRSCM	35X72X10
357974R91	IH	415196!	358837R91	IH	471267!	359952R92	IH	473517!	35X72X8AS	ISP	35X72X8
357975R91	IH	417344!	358838R91	IH	471765!	359D6	WHITE	5473	35X80X8SC	TRSCM	35X80X8
357976R91	IH	471192	358839R91	IH	470625!	359W212	C-R	415857	35X80X8TC	TRSCM	35X80X8
357977R91	IH	410708	35886	HYST	472179	35A10019	MINNM	472258!	36	BL-KN	415988
357978R91	IH	410059	358873R91	IH	452222!	35A12244	WHITE	417254	36005	C-R	229210
357978R91	IH	470380!	358896R91	IH	472636!	35A1803	WHITE	6542=	36006J	DIA	412943
35799	CATER	471737	3588R	JN-MN	416888!	35A2190	MINNM	473441	36006M	DIA	411500
357C47	NATL	357	35890	GARLK	417363	35A3596	MINNM	471224!	360076R92	IH	476838!
358019	WHITE	415995!	358922C91	IH	415960	35A4130	MINNM	471224!	36013	C-R	92X120X13!
358020	WHITE	417181!	358981	WHITE	416288!	35A4130	WHITE	471224!	360135R91	IH	470059
3580723	CHRYSS	5121	359042R91	IH	471224!	35A4130EXP	MINNM	471224!	360135R91	IH	470380!
3580975	CHRYSS	6815	35905	C-R	5279	35A4461	MINNM	415458!	360136R91	IH	415458!
35810	C-R	9584	35905	C-R	710056	35A5174	MINNM	365008	360137R91	IH	471567!
358228	WHITE	471141!	359051R91	IH	473215!	35A5174	WHITE	365008	36015	C-R	92X120X13!*
35828	HYST	416654!	359056R91	IH	470380!	35A6303	MINNM	6668S	3601B	JN-MN	455117*
3583	WOODB	471766!	35908F	DIA	5408	35A6404	MINNM	327303!	360251R91	IH	415001!
35850	GARLK	417362!	35909F	DIA	5408	35A8008	MINNM	471442!	360252R91	IH	416444
358765R91	IH	473367!	3590R	SPG	3590	35A8008	WHITE	471442!	360253R91	IH	473232
358765R91	IH	473367	35910	C-R	710056	35A8629	WHITE	476470	360254R91	IH	471570!
358766R91	IH	471750!	35910	GARLK	416666	35H021	SHOV	474276!	360255R91	IH	470898
358767R91	IH	473467	359126R91	IH	473459	35H027	SHOV	474276!	36030	GARLK	417365
358768R91	IH	416738!	359126R93	IH	473459	35P129	WHITE	45825S	36030400	WHITE	473237!
358768R91	IH	450096	359126R94	IH	473459	35P2744	WHITE	472258!	360304B	HERCU	473237!
358769R91	IH	200640	359167	GMC	3698	35P613	MINNM	470898=	360306B	HERCU	475996H=
358770R91	IH	415001!	3591B	JN-MN	472157	35P613	WHITE	470898=	360374R91	IH	471466!
358772R91	IH	473214	3591B	JN-MN	472157!	35X45X7SC	TRSCM	35X45X7	360375R91	IH	472924!
358774R91	IH	412119!	35925	GARLK	417364	35X45X7TC	TRSCM	35X45X7	360388R91	IH	450869
358775R91	IH	471765!	359257R91	IH	471224!	35X47X7SC	TRSCM	35X47X7	360436R91	IH	473215!
358777R91	IH	416444	359303R91	IH	471567!	35X47X7TC	TRSCM	35X47X7	360438R91	IH	450869
358780R91	IH	417316!	359309R91	IH	471567!	35X48X8AS	ISP	714436	360440R91	IH	416654!
358783R91	IH	472439	35936	SPG	8996S=	35X48X8SC	TRSCM	35X48X8!	360440R92	IH	416654!
358784R91	IH	473367	35938	SPICE	2146	35X48X8TC	TRSCM	35X48X8!	360457R91	IH	417316!
358785R91	IH	473421	35938	VIC	2146	35X50X7AN	ISP	35X50X7	3604B	JN-MN	455462*
358787R91	IH	472924	35938-1	SPICE	2146	35X50X8	CEW	35X50X8!	36050	GARLK	415072
358790R91	IH	473010!	3593B	JN-MN	455576!	35X50X8TC	TRSCM	35X50X8!	360507	WHITE	410694!
358791R91	IH	411394!	359419	WHITE	417159	35X50X8TC	TRSCM	35X50X8!	36060	VICK	6590S
358794R91	IH	455005	359448R91	IH	473215!	35X52X7AN	ISP	35X52X7	360662R91	IH	417350!
358795R91	IH	456105	359449R91	IH	470380!	35X52X8SC	TRSCM	35X52X8!	360692R91	IH	472924!
358798R91	IH	6312	35947	DENCO	471466!	35X52X8TB	TRSCM	35X52X8!	360693R91	IH	410737!
358799R91	IH	6180=	359496	WHITE	416288	35X52X8TC	TRSCM	35X52X8!	360694R91	IH	473459
358801R91	IH	472560N!	359497	WHITE	416288!	35X54X8SC	TRSCM	35X54X8!	360694R92	IH	473459
358802R91	IH	471267!	3594S	SPG	3594=	35X54X8TC	TRSCM	35X54X8!	3607	NATL	3907
358803R91	IH	413469!	359506R91	IH	470380!	35X55X11SC	TRSCM	35X55X11	3607CA1	SPG	3607
358804R91	IH	471765!	359547	GMC	2440	35X55X11TC	TRSCM	35X55X11	3608RC	SUL	471866!
358805R91	IH	471570!	359559R91	IH	470380!	35X55X8SC	TRSCM	35X55X8!	3609	NATL	1962
358806R91	IH	450048	359588R91	IH	471567!	35X55X8TC	TRSCM	35X55X8!	360964R92	IH	473459
358807R91	IH	473213!	3596	CHAMP	415991	35X56X10SC	TRSCM	35X56X10!	3609CA1	SPG	3609
358808R91	IH	473367!	3597	CHAMP	417366!	35X56X10TC	TRSCM	35X56X10!	360A26010	TROS	416500
358808R91	IH	473367	359786R91	IH	416738!	35X56X8AN(35)	ISP	35X56X8	360FF130-L	C-R	6074
358809R91	IH	471750!	359786R91	IH	450096	35X58X10	SIMRT	35X58X10	360HC28-L	C-R	3095
358810R91	IH	473467	359787R91	IH	473419	35X58X10SC	TRSCM	35X58X10	36101	TROS	5756
358812R91	IH	473214	359788R91	IH	200640	35X58X10TC	TRSCM	35X58X10	361017	LILIS	471192
358813R91	IH	452222!	359789R91	IH	470059	35X60X10	FORSH	35X60X10!	361025R91	IH	417316!
358814R91	IH	412119!	359789R91	IH	470380!	35X60X10	SIMRT	35X60X10!	361049R91	IH	410737!

! Industrial Size/Type * Minor Width Difference

= The U.S. customer service number is 877-4-TIMKEN. The Canadian customer service numbers are 800-565-4927 (English) and 800-565-0438 (French-Canadian).

NUMERICAL INTERCHANGE

Mfr. No.	Name	Zero Duplication or Recommended Industrial	Mfr. No.	Name	Zero Duplication or Recommended Industrial	Mfr. No.	Name	Zero Duplication or Recommended Industrial	Mfr. No.	Name	Zero Duplication or Recommended Industrial
36106	WAYNE	470596	362220K	SUL	415458!	362W26	C-R	415350*	36385	C-R	415832
3610RC	SUL	417073	362220M1	C-R	415458!	362W28	C-R	415234!*	36386	C-R	415832
3611035	WOOL	418028	362224	C-R	415984!*	362W475	CONE	5167	36387	C-R	417499
3611035	WOOL	455137!	362224M1	C-R	415984!*	363	IDECO	415035	36388	C-R	417499
361165	GMC	9613S	362228	C-R	415303!*	363	IDECO	415035!	36389	C-R	417500
361170	HYST	455144	362228M1	C-R	415303!*	3630051	GMC	473179!	36390	C-R	455436=
36120	C-R	39882	36223	C-R	415937!	36304	C-R	417355!	36391	C-R	415832!*
361248R91	IH	416654!	36224	C-R	455080*	36304	C-R	485497	363G214	C-R	3210
361248R92	IH	416654!	36226	C-R	415350*	36305	C-R	417355!	363R224-Y12	C-R	5951
361261	WHITE	50631	36227	C-R	415937!	36305	C-R	485497	363SH15	MACK	350942
36128	C-R	415234!	362272C91	IH	471466!	3630681	CUMMI	39701	363SH47	MACK	472636!
3612A	JN-MN	472354!	36228	BUC-E	415234!	36309	C-R	417355!	36408	OLIVE	415995!
36140	TROS	473450!	36228	C-R	415234!*	36309F	DIA	472924!	3643184	CHRY	322353
36145	C-R	3909	36229	C-R	415937!*	36310	C-R	417355!	3643321	CHRY	7188S
36145	C-R	5277	36230	C-R	415937!	36314	C-R	417355!	36433VTB	TRSCM	456744N
36146	C-R	3909	36231	C-R	415937!	36314	C-R	485497*	364341	SPICE	471141!
36147	C-R	3909	36232	C-R	415937!	36315	C-R	417355!	364341	VIC	471141!
36155	C-R	417698	36233	C-R	415937!	363157R91	IH	415027!	364468R91	IH	471224!
36156	C-R	456744N	36234	C-R	415937	363157R91	IH	415027	364469R91	IH	471750!
36157	C-R	417698	362398R91	IH	417247!	36320	C-R	417355!	364470R91	IH	470059
36158	C-R	456744N	362399R91	IH	470530!	36321	C-R	417158=	364470R91	IH	470380!
36161	C-R	456744N	3623B	JN-MN	416664!	36321	C-R	417158	364471R91	IH	476838!
361648	GMC	483488	3623RC	SUL	415066	36322	C-R	417355!	364472R91	IH	473215!
36166	C-R	415389*	3623VG3	SPG	416654=	36323	C-R	417158	364473R91	IH	476838!
36174	C-R	416332!	362400R91	IH	415066	36323	C-R	417158=	364474R91	IH	470059
361746	GMC	3357	362401R91	IH	417316!	3633416	CHRY	323138!	364474R91	IH	470380!
36175	C-R	416332!	362402	SPICE	415458!	3633518	GMC	2043	364475R91	IH	471750!
361750	GMC	3348	362402	VIC	415458!	363374C91	IH	482267	364476R91	IH	471224!
36177	C-R	416332*	362402R91	IH	416339	3633CA	SPG	3633	364477R91	IH	473215!
36177	C-R	416332!	362402R91	IH	455031!	3633CA	SPG	8871	3644D	GOODM	416888!
36178	C-R	416332!	362403R91	IH	410987!	36340	C-R	417355!	3644F	GOODM	416888!
36179	C-R	487397V	362404R91	IH	50075=	3634349	CHRY	6808N	3645	C-R	311189*
3618	C-R	340827	362405R91	IH	410694!	36345	C-R	417355!	36454TA	TRSCM	415389
36180	C-R	416332!	362406R91	IH	471554!	36345	C-R	485497	364561	WHITE	474278!
36181	C-R	416332!	362407R91	IH	450084!	363511R91	IH	472924!	364578	WHITE	474276!
36183	C-R	416332!	362408R91	IH	471750!	363512R91	IH	476470	3645Z137	MACK	417159=
36184	C-R	476332N=	362409R91	IH	415043	363513R91	IH	450313	36464TA	TRSCM	416332!
36185	C-R	416332*	362410R91	IH	416288!	363514R91	IH	470334!	364692R91	IH	417350!
36185	C-R	416332!	362411R91	IH	412119!	363514R92	IH	470334!	364707B	HARWA	36X47X7
36186	C-R	416332!	362412R91	IH	474253	363514R93	IH	470334!	364759	WHITE	450593!
36186	C-R	416332*	362413R91	IH	240009	36352	ACF	415219	364800	GMC	3698
36194	C-R	416332!	362414R91	IH	471466!	36352	HYST	415219	364808	WHITE	472164!
36195	C-R	416557	362420R91	IH	416288!	36355	C-R	416125!*	364861R91	IH	417350!
3619687	CHRY	17780	3624S	SPG	417601=	36357	C-R	370011A	36487	SPICE	470682
3619687	CHRY	470354	3625B	JN-MN	473245!*	36358	C-R	370011A	36487-1	SPICE	470682
361A220	C-R	415458!	362648	GMC	483488	36361	C-R	416125!*	364874	WHITE	415001!
361AM220	C-R	415458!	36269	C-R	415937!	36361	SPICE	722108	3648E	GOODM	416154!
361AM224	C-R	415984!*	362767R91	IH	413246	363615	WAGMA	473010!	364SZ101	MACK	410825
361B220	C-R	415458!	36277	SPICE	415085!	36362	C-R	416125!*	364SZ109	MACK	471820
361BM220	C-R	415458!	36277	VIC	415085!	36362	SPICE	710068	364SZ111	MACK	471484!
361FM220	C-R	415458!	36282	C-R	370012A	36363	C-R	416125!*	364SZ112	MACK	471267!
36202	C-R	255833=	36285	C-R	370012A	36364	C-R	416125!*	364SZ115	MACK	5471
36202	CUSH	6832S	36289	C-R	55353	36365	C-R	370011A	364SZ118	MACK	240414
36202E	CUSH	205004	3628B	JN-MN	415035	36366	SPICE	471271!	364SZ119	MACK	415991
36202F	CUSH	205004	3628B	JN-MN	415035!	36367	C-R	416125!	364SZ122	MACK	471424!
36208M	DIA	455151	362A220	C-R	415458!	36368	C-R	416125!	364SZ129	MACK	412119
3620B	JN-MN	470625!	362AM220	C-R	415458!	36369	C-R	416125!	364SZ136	MACK	415960
3620S	SPG	416476=	362B220	C-R	415458!	36369	SPICE	416273	364SZ13A	MACK	417181!
362119R91	IH	470334!	362CHA220	C-R	415458!	36370	C-R	416125!	364SZ14	MACK	323138!
362119R92	IH	470334!	362F220	C-R	415458!	36371	C-R	416125!	364SZ145	MACK	472560N!
362119R93	IH	470334!	362F220	TRANG	415458!	363716	WHITE	5751	364SZ148	MACK	416500
36220	C-R	415937!*	362FM220	C-R	415458!	36372	C-R	416125!	364SZ15	MACK	473473
36221	C-R	200603	362N212	C-R	410825*	3637203	CHRY	410496!	364SZ151	MACK	413469!
362212	C-R	410825*	362RC	SUL	471766!	36374	C-R	416125!	364SZ17	MACK	472636!
362212M1	C-R	410825	362W216	C-R	416273!	36376	C-R	416125!	364SZ174	MACK	472475
362216	C-R	416273!	362W216-M1	C-R	416273!	36377	C-R	416125!	364SZ18	MACK	472636!
362216M1	C-R	416273!	362W218	C-R	415988*	363771R91	IH	413246	364SZ181	MACK	5405
362218	C-R	415988*	362W220	C-R	415458!	36378	C-R	370002A	364SZ188	MACK	416364!
362218M1	C-R	415988*	362W220-M1	C-R	415458!	36382	C-R	417499*	364SZ189	MACK	7866S
36222	C-R	455260*	362W224	C-R	415984!*	363821R91	IH	472439	364SZ24	MACK	5957S
362220	C-R	415458!	362W224-M1	C-R	415984!*	36383	C-R	370012A	364SZ25	MACK	5951
362220	GR-DV	415458!	362W228	C-R	415303!*	36383	C-R	380023A	364SZ34	MACK	472164!

! Industrial Size/Type * Minor Width Difference

= The U.S. customer service number is 877-4-TIMKEN. The Canadian customer service numbers are 800-565-4927 (English) and 800-565-0438 (French-Canadian).

Mfr. No.	Name	Zero Duplication or Recommended Industrial	Mfr. No.	Name	Zero Duplication or Recommended Industrial	Mfr. No.	Name	Zero Duplication or Recommended Industrial	Mfr. No.	Name	Zero Duplication or Recommended Industrial
364SZ35	MACK	416654!	36634M	DIA	415001!	3688B	JN-MN	470774!	370-7005	STEM	370013A
364SZ35A	MACK	416654	3664	US-EL	481443!	3689176	GMC	473227	370-7006	STEM	370002A
364SZ36	MACK	416654	36644M	DIA	417484!	36895	C-R	55646=	370-7007	STEM	386025A
364SZ38	MACK	472636!	3664520	GMC	473313	36897	GMC	471554!	370-7007	STEM	416158
364SZ40	MACK	473228!	36649	CHRY	410308!	3689758	GMC	472015!	370-7008	STEM	370029A
364SZ43	MACK	472394	36650	C-R	710266	36897C	DIA	6532S=	370-7009	STEM	370002A
364SZ44	MACK	472016	36655	C-R	710145	36898J	DIA	415371	370-7011	STEM	370002A
364SZ45	MACK	472394	36660	C-R	710219	36899R	DIA	415697!	370-7013	STEM	370036A
364SZ47	MACK	450400	3668	C-R	330385!*	36899R	DIA	455547	370-7013	STEM	370037A
364SZ52	MACK	415458!	3668B	JN-MN	413469!*	368D6	WHITE	415960!	370-7013	STEM	370338A
364SZ53	MACK	417316!	3669	C-R	330385!*	368RC	SUL	470059	370-7013	STEM	370349A
364SZ54	MACK	473464!	3669156	GMC	412119!	368RC	SUL	470380!	370-7015	STEM	370192A
364SZ54	MACK	473464	3669157	GMC	417316!	36904W	DIA	5957S	370-7016	STEM	AR20+370004A
364SZ56	MACK	410308!	36691A	C-R	473460	369072	DIA	415991	370-7018	STEM	370008A
364SZ59	MACK	471787!	366937C91	IH	416654	3690A	HERCU	470712	370-7022	STEM	AR2+370026A
364SZ61	MACK	415041	366982C91	IH	712937	3690B	JN-MN	455402=	370-7023	STEM	370065A
364SZ62	MACK	416282	367	CHEL	471766!	3691B	JN-MN	471821!	370-7023	STEM	376590A
364SZ66	MACK	472164!	36701A	C-R	9613S	3692B	JN-MN	416271!	370-7024	STEM	370107A
364SZ66A	MACK	472164!	3670B	JN-MN	417316!	369316R91	IH	415001!	370-7025	STEM	370027A
364SZ70	MACK	480630!	367162R91	IH	470380!	369317R91	IH	418029!	370-7031	STEM	370036A
364SZ81	MACK	417344!	367163R91	IH	473215!	369318R91	IH	455500	370-7031	STEM	370349A
364SZ83	MACK	417171!	3671B	JN-MN	472185!	369319R91	IH	417316!	370-7031	STEM	380036A
364SZ84	MACK	471231!	36727	SPERY	204013	369380R91	IH	7208S	370-7043	STEM	386025A
364SZ86	MACK	471570!	36727	VICK	204013	3693B	JN-MN	416339	370-7043	STEM	416158
364SZ88	MACK	471442!	3672B	JN-MN	415449!	3693B	JN-MN	455031!	370-7044	STEM	370037A
364SZ88A	MACK	471442!	3673B	JN-MN	416706!	36940	C-R	55646*=	370-7044	STEM	370338A
364SZ90	MACK	472015!	36740	C-R	416919!	36944	C-R	5532	370-7046	STEM	417134
364SZ91	MACK	413246	36740	C-R	416919*	36945	C-R	416670	370-7048	STEM	370046A
364SZ95	MACK	472015!	3674B	JN-MN	416654!	36946	C-R	416670	370-7049	STEM	417172
36500	HYST	473245!	36750	C-R	416919	36949	C-R	417502	370-7055	STEM	370013A
365046	WHITE	415960	3675072	GMC	411330!	3694B	JN-MN	472636!	370-7091	STEM	370107A
36506	EATON	370023A	3675098	GMC	472439	3694T2	DIA	240731	370-7095	STEM	370037A
3650633	GMC	410987!	36769J	DIA	473215!	36950	C-R	417502	370-7095	STEM	370338A
3651493	GMC	415234!	3677	C-R	330385	3695B	JN-MN	473213!	370-7097	STEM	386025A
365207A	HARWA	36X52X7	36770	C-R	417501*	3697029	GMC	6985	370-7097	STEM	416158
3652523	GMC	470606!	36771	C-R	417501	3697114	GMC	473227	370-7098	STEM	370036A
365277	GMC	5246	3677B	JN-MN	416332!	3697B	JN-MN	472394*	370-7098	STEM	370349A
3653	C-R	330385!	3677CA	SPG	3677	3698B	JN-MN	416229*	370-7099	STEM	370065A
36531	CHRY	471231!	3678151	GMC	411330!	3699678	CHRY	3087	370-7099	STEM	376590A
36536	MALL	350974!	367956R91	IH	340771	369978	GMC	414045!	3700	NATL	7044NA
3653617	GMC	5M89	367957R91	IH	340771	3699B	JN-MN	417247!	370000	NATL	370000N
3653618	GMC	411330!	3680	C-R	330385!	36A2883661	GE	417349	370001A	NATL	6638S
3654	C-R	330385!	3680095	CUMMI	977105	36A290628AB001	GE	472018=	370001T	NATL	380001A
365416R91	IH	470530!	3680706	CUMMI	977122	36SR-13	MACK	370007A	370003T	NATL	380003A
365434R91	IH	415449!	3680994	GMC	2081	36X47X7	SIMRT	36X47X7	37002	HYST	417562
36544C	DIA	473010	3680S	SPG	3680	36X47X7SC	TRSCM	36X47X7	370020A	NATL	370021A
365458	WHITE	416282	3681302	CHRY	415349	36X47X7TC	TRSCM	36X47X7	370023A	NATL	456618
36549F	DIA	470334!	3681B	JN-MN	415458!	36X50X7SC	TRSCM	36X50X7!	370025T	NATL	416158
365525R91	IH	450040	3682	C-R	330385!	36X50X7TC	TRSCM	36X50X7!	370025X	FRUEH	386025A
365526R91	IH	473238	368240	WAGMA	417562	36X52X7	SIMRT	36X52X7	370025X	FRUEH	416158
365528R91	IH	473010!	368252C91	IH	7600S	36X52X7SC	TRSCM	36X52X7	37003	SPICE	413248
365576R91	IH	471224!	3683	C-R	240385	36X52X7TC	TRSCM	36X52X7	370032	WHITE	410496!
365610A	HARWA	36X56X10	3683	C-R	330385	36X54X7.5-35	ISP	36X54X7.5	370036A	NATL	370349A
365618	GMC	411330!	3684530	GMC	6358	36X54X8SC	TRSCM	36X54X8	370065A	NATL	376590A
3656536	GMC	6064	36850	C-R	55030*	36X54X8TC	TRSCM	36X54X8	370086	WHITE	472636!
3656537	GMC	6064	36850F	DIA	415458!	36X56X10	SIMRT	36X56X10	3700BX0	SPG	3700
3656538	GMC	6064	36851	C-R	55030*	36X56X10SC	TRSCM	36X56X10	3700OS	JN-MN	417549!*
3656817	GMC	450666	368621C91	IH	471138!	36X56X10TC	TRSCM	36X56X10	3700RC	SUL	411376!
3657	C-R	330385!	368629R91	IH	200895=	36X58X10	NATL	36X58X8!	37012	HYST	415072
3657616	GMC	471192	3686530	GMC	6358	36X58X12	SIMRT	36X58X12	37013	DET	55350
365766R91	IH	470530!	3686537	GMC	6358	36X58X12SC	TRSCM	36X58X12	37015	C-R	717005
365767R91	IH	415449!	3686551	GMC	6358	36X58X12TC	TRSCM	36X58X12	37015	C-R	95X110X10!
365810A	HARWA	36X58X12	3686563	GMC	2081	36X58X8SC	TRSCM	36X58X8!	370173A	NATL	370005A
365874	WHITE	415001!	3686571	GMC	450666	36X58X8TC	TRSCM	36X58X8!	370178A	NATL	416888
3659486	CLARK	353141!	3686593	GMC	414045!	36X60X7SC	TRSCM	36X60X7!	370179A	NATL	9339S
3659486	GMC	353141!	36868	GMC	471705!	36X60X7TC	TRSCM	36X60X7!	370179BG0	SPG	370179A!
3659542	GMC	470530!	3687	C-R	330385!	36X62X7	SIMRT	36X62X7!	370199V	SPG	370199A
3660	C-R	330385	368723R91	IH	470334!	36X62X7TC	TRSCM	36X62X7!	37020	C-R	95X115X13*
3660089	GMC	6090S	368724R91	IH	473459	36X62X7TC	TRSCM	36X62X7!	370201A	NATL	416158
3660091	GMC	6090S	368725R91	IH	416654!	36X68X10SC	TRSCM	36X68X10	3702068	GMC	473179
366207A	HARWA	36X62X7!	36880	C-R	55030	36X68X10TC	TRSCM	36X68X10	370216A	NATL	416158
3663166	GMC	450666	368829R91	IH	455500	37-463-3	SPICE	474276	370219BG	NATL	370219A

! Industrial Size/Type * Minor Width Difference

= The U.S. customer service number is 877-4-TIMKEN. The Canadian customer service numbers are 800-565-4927 (English) and 800-565-0438 (French-Canadian).

NUMERICAL INTERCHANGE

Zero Duplication or Recommended Industrial		Zero Duplication or Recommended Industrial		Zero Duplication or Recommended Industrial		Zero Duplication or Recommended Industrial		
Mfr. No.	Name	Mfr. No.	Name	Mfr. No.	Name	Mfr. No.	Name	
3702255	GMC	417355!	3711LUP JN-MN	415072	37222 SPICE	2081	37342 C-R	2377
3702255	GMC	485497	3711RC SUL	473450	37224 CHRYS	473367!	373468 CHRYS	HU149A
37025	C-R	95X115X12	37120 AMC	474281!	37229 SPICE	415960	3735006 CHRYS	412119!
370254R91	IH	200763	3712726 GMC	240698	3722RC SUL	473446	37351 C-R	416041
37026	C-R	4359V	3712738 GMC	340797	372301 BENDI	50883=	37352 C-R	416041
37026	C-R	5274	37129 AMC	473448	372394R91 IH	473214	3735211 CHRYS	417316!
37026	C-R	95X115X13V!	3712B JN-MN	416107!	3723B JN-MN	415076*	37354 C-R	416041
37027	C-R	717006	3712B JN-MN	455073	3723RC SUL	415196!	37357 C-R	415379!
37029	VICK	204007=	3712RC SUL	474265	37240 TROS	5797	37358 C-R	415379!
3702R	SPG	710159	37132 DENCO	450165	372438R91 IH	200763	37358 C-R	415379
3702RA	SPG	710159	37132 DENCO	471801!	372439R91 IH	80313	37360 C-R	415379
37030	C-R	710060	3713B JN-MN	417555!*	372440R91 IH	200895=	37360 C-R	415379!
370338A	NATL	370037A	371409R91 IH	470625!	372442R91 IH	7208S	37361 C-R	415379!
370349A	NATL	370036A	37141 GEM	323138!	372474R91 IH	200763	37361 C-R	415379
37039	C-R	95X120X12!	37141 TROS	5836	372475R91 IH	200897=	373768 BENDI	471192
37040	C-R	229510	371410R91 IH	472560N!	372476R91 IH	200895=	37376A C-R	415449!
37040	C-R	95X120X12!	371411R91 IH	472164!	3725 C-R	350156	3737779 GMC	451117N=
37041	C-R	229510	3714713 GMC	5458	3725 C-R	473096!	3737894 GMC	473179
37041	C-R	95X120X12V!	3714771 GMC	411330!	37257 AMC	472016	3737LPD JN-MN	417608
37042	C-R	229510	3714786 GMC	6818	3725850 GMC	6985	3737RC SUL	417606
37042	C-R	95X120X12V!	371498C91 IH	100495	3725883 GMC	5458	37381 C-R	415379
3704463	GMC	450666	371498C91 IH	417349	3725884 GMC	5458	373822 WHITE	473179
3704483	GMC	6785	371498C91 IH	476023N	3725885 GMC	5458	373823 WHITE	473179
370463	BENDI	471442!	3714RC SUL	451469	37260 TROS	5871	37386 C-R	415379*
37047	C-R	95X125X12!	3715RC SUL	417485	3726RC SUL	416229	37387 C-R	486544N=
370492	GMC	471466!	371671 GMC	5458\$	3727 C-R	350156	37388 C-R	415379*
3704B	JN-MN	471605*	3716B JN-MN	473459	3727 C-R	473096!	37389 C-R	415379*
37050	C-R	95X125X12	3716RC SUL	416738!	37275 AMC	470334!	3738B JN-MN	415938*
370509	WHITE	472015!	3716RC SUL	450096	372759 VICK	471649=	3738RC SUL	472636!
370510R91	IH	472560N!	3717671 GMC	5458	372762R91 IH	471267!	37390 C-R	415963N=
370513R91	IH	470625!	3717672 GMC	417355!	372763R91 IH	471267!	37391 C-R	415379
370517R91	IH	472164!	3717672 GMC	485497	3727B JN-MN	417262!	37391 C-R	415379!
370570	WHITE	416654	371797C91 IH	473459	372823 WHITE	473179	3739112 GMC	5499=
3705725	GMC	6818	3718 C-R	474279N*	3728543 GMC	470898	37392 C-R	415379!
3705796	GMC	450666	371876 SPICE	473235!	373 IDECO	415128	37392 C-R	415379
3705B	JN-MN	415379	3718RC SUL	473446	373-0113 STEM	370036A	37393 C-R	415379
3705B	JN-MN	415379!	3719 C-R	474279N*	373-0113 STEM	380036A	37394 C-R	415379!
3706126	GMC	472164!	3719 C-R	474279N	373-0123 STEM	370065A	37395 C-R	415379!
370651C91	IH	412119	37194 SPICE	411348!	373-0123 STEM	380065A	37396 C-R	415379
3706B	JN-MN	416288!*	37194 VIC	411348!	373-0143 STEM	386025A	37396 C-R	415379!
370714	WHITE	5M867	371D6 WHITE	6270	373-0143 STEM	416158	37397 C-R	415379*
3707356	GMC	417355!	371SL16 MACK	240356	373-0213 STEM	370349A	37398 C-R	415379
3707356	GMC	485497	372-7005 STEM	370013A	373-0213 STEM	380036A	37399 C-R	415379
3707389	GMC	5458	372-7006 STEM	370002A	373-0223 STEM	380065A	37400 C-R	415379
37075	C-R	229520	372-7008 STEM	370029A	373-0243 STEM	386025A	37400 C-R	415379!
37075	C-R	95X130X12!	372-7009 STEM	370002A	373-0243 STEM	416158	374006R91 IH	335924N
3707CA	SPG	415449	372-7015 STEM	370192A	373002 BENDI	471103!	37401 C-R	415379
37081	C-R	95X130X12!	372-7018 STEM	370008A	3730317 GMC	5458	37402 C-R	415379
37087	GEM	471224!	372-7022 STEM	AR+370026A	37305 WITTE	472179	37403 C-R	415963N!=
3708819	GMC	5453\$	372-7024 STEM	370107A	37306 SPICE	710304	37405 C-R	3893V
37089	C-R	415027	372-7025 STEM	370027A	373105 HYST	415035=	37405 C-R	415379!
37089	C-R	415027!	372-7046 STEM	417134	37311 SPICE	710045	37407 C-R	415379*
3708B	JN-MN	415645!	372-7048 STEM	370046A	373156R91 IH	413469!	37408 C-R	710085
3708B	JN-MN	455104	372-7049 STEM	417172	373157R91 IH	416921!	3740B JN-MN	473214
37096A	C-R	45013S	372-7055 STEM	370013A	373159R91 IH	416921!	3740LPD JN-MN	473214!
37097D	IH	473229	372-7091 STEM	370107A	3732 NATL	3732S	3740LUP JN-MN	473214
3709B	JN-MN	471424!*	372-7095 STEM	370037A	37328 C-R	415983V*	3740RC SUL	473239
371-0013	STEM	370036A	372-7097 STEM	386025A	37330 C-R	415983N!	37410 C-R	415379
371-0013	STEM	370349A	372-7097 STEM	416158	37332 C-R	415983V	37412 C-R	415379
371-0023	STEM	370065A	372-7098 STEM	370036A>	37334 C-R	415983N!	37412 C-R	415379!
371-0023	STEM	376590A	372-7098 STEM	370349A%	37335 C-R	415983N!	37413 C-R	415379!
371-0043	STEM	386025A	372-7098 STEM	380036A>	37336 C-R	713750	37413 C-R	415379
371-0043	STEM	416158	372-7099 STEM	380065A	3733703 CHRYS	HU024A	3741786 GMC	6818
3710	C-R	474279N	3720002 GMC	6818	3733704 CHRYS	HU028A	3742042 GMC	6936S
37101	TROS	5070	37201 TROS	450666	3733705 CHRYS	HU042A	374216 BENDI	474278!
37103	HYST	416476!	37202 TROS	450666	3733708 CHRYS	730004	37421A C-R	472924!*
37103	TROS	6064	372068 GMC	473179	3733709 CHRYS	730001	3742392 GMC	7107A=
37104	TROS	6064	3721328 GMC	50419	3733710 CHRYS	730016	3742402 GMC	6936S
3711	C-R	474279N	372187R91 IH	416239!	37338 C-R	2377	3742583 GMC	2081
3711412	GMC	417355!	3721RC SUL	476838!	37340 C-R	2377	374286 WHITE	410987!
3711412	GMC	485497	3722 C-R	350156	37340 C-R	5278	374287 WHITE	415458!
3711B	JN-MN	415072*	3722 C-R	473096	37341 C-R	2377	374293 WHITE	416332!

! Industrial Size/Type *Minor Width Difference > Hub Mount % Spindle Mount \$ F-M Number Is Part Of A Kit
 = The U.S. customer service number is 877-4-TIMKEN. The Canadian customer service numbers are 800-565-4927 (English) and 800-565-0438 (French-Canadian).

Mfr. No.	Name	Zero Duplication or Recommended Industrial	Mfr. No.	Name	Zero Duplication or Recommended Industrial	Mfr. No.	Name	Zero Duplication or Recommended Industrial	Mfr. No.	Name	Zero Duplication or Recommended Industrial
3742B	JN-MN	472397!	3751233	CHRY5	3095	3757V	SPG	471466	376590	SPG	376590A %
3742RC	SUL	471868	3751235	CHRY5	3103!	37580	C-R	415150!*	376590A	NATL	370065A
3743200	GMC	417355!	37518A	C-R	471787	375831	WHITE	5405	3765HX1	SPG	3765
3743200	GMC	485497	375208A	HARWA	37X52X8	37584	HYST	415991	3766493	GMC	205044
3743201	GMC	6358	37521	C-R	416339	37584	HYST	455146!	3766706	GMC	8976S
3743202	GMC	2081	37521	C-R	455031!	37586A	C-R	472179	3766B	JN-MN	472439*
37433	C-R	417205!*	375210	C-R	455321	37590	C-R	415150!*	37670	C-R	370023A
37435	C-R	417205!	375212	C-R	416071	37591	C-R	415150!*	37670	C-R	5667
37436	C-R	417205!	375216	C-R	455079!	37592	HYST	472234	37675	JAC	471649!
3743698	GMC	417355!	375216M1	C-R	455079!	3759306	GMC	7107A=	376755C91	IH	40316S
3743698	GMC	485497	375218	C-R	417481	37597	HYST	473473	376761	GMC	3638
3743719	CHRY5	471652	37522	C-R	416339	375981	BENDI	481073	376764	ALLCH	472924!
3743719	CHRY5	482208!	37522	C-R	455031!	375A224	C-R	417316!	3767702	GMC	5092
3743915	GMC	415991	375220	C-R	417343!	375A228	C-R	417344!*	3767702	GMC	5092
3743B	JN-MN	411245!	375220M1	C-R	417343!	375AMM28	C-R	417344!*	3767OS	JN-MN	481073*
37446	C-R	417205!	375222	C-R	455151	375B220	C-R	417343!	376851	GMC	722109
3744991	GMC	415991	375224	C-R	417316!	375B220	C-R	417316!	376855	GMC	722108
3744991	GMC	455146!	375224	CABOT	417316!	375B224	C-R	417316!	3768598	GMC	8243
3744RC	SUL	473232	375224	GR-DV	417316!	375B228	C-R	417344!*	376930R91	IH	473230!
374527R91	IH	471267!	375224	JA-MI	417316!	375BM224	C-R	417316!	3769588	GMC	471341!
3745384	GMC	5072 \$	375224	JAE	417316!	375BMM224	C-R	417316!	3769B	JN-MN	473228
37454PTA	TRSCM	415983N!	375224K	FAIRB	417316!	375C220	C-R	417343!	376G222	C-R	455151
37457	C-R	417205!	375224K	SUL	417316!	375CHA224	C-R	417316!	377-7713	STEM	370036A
37458	C-R	417205!	375224M1	C-R	417316!	375F224	C-R	417316!	377-7713	STEM	370349A
37459	C-R	417205!	375224M1	GOODM	417316!	375F225	C-R	417316!	377-7713	STEM	380036A
3745RC	SUL	473426	375226	C-R	455005	375F228	C-R	417344!*	377-7723	STEM	370065A
37460	C-R	417205!	375226M1	C-R	455005	375FF224	C-R	46997S*	377-7723	STEM	376590A
3746212	GMC	9613S	375228	C-R	417344!	375FM224	C-R	417316!	377-7743	STEM	386025A
3746213	GMC	9613S	375228M1	C-R	417344!	375FM224-T8	C-R	417316!	377-7743	STEM	416158
3746465	GMC	5092	375230	C-R	416956	375FM228	C-R	417344!*	377-7744	STEM	370037A
37466	C-R	417205!	375230M1	C-R	416956	375FR224	C-R	417316!	377-7744	STEM	370338A
3746601	GMC	473179	37524	C-R	455031	375G224	C-R	46997S	3770169	GMC	7107A=
3746788	GMC	5499=	37525	C-R	416339*	375G34	C-R	45825S	3770297	GMC	471267!
3746B	JN-MN	472572!	37525	C-R	416339*	375HD224	C-R	46997S	37707	NEHO	481181!
3746RC	SUL	415027!	37526	C-R	416339	375HD34	C-R	45825S	3771094	GMC	418028
3746RC	SUL	415027!	37528	C-R	415259!	375N224	C-R	417316!	377167A	HERCU	240698
37473	C-R	55329=	3753	C-R	100495	375N224-T8	C-R	417316!	3772034	GMC	5573 \$
37474STA	TRSCM	415379!	3753	C-R	417349	375T228	C-R	417344!	377239R91	IH	473419
37480	C-R	416339	37530	CHRY5	473457!	375W212	C-R	416071	377240R91	IH	473419
37480	C-R	455031!	37532	C-R	416339	375W216	C-R	455079!	3772445	GMC	8976S
3748347	GMC	5072	37532	C-R	455031!	375W216-M1	C-R	455079!	3772748	GMC	473179
374841R1	IH	JX1136	37533	C-R	416339*	375W218	C-R	417481	37728	GMC	473235!
3748568	GMC	473473	37538	C-R	416339	375W220	C-R	417343!	37729	SPICE	415960
37490	C-R	416339	37539	C-R	416339	375W220-M1	C-R	417343!	37729	VIC	415960
37490	C-R	455031!	3753B	JN-MN	415066*	375W222	C-R	455151	3772999	GMC	5573 \$
37491	C-R	416339	3753M1	C-R	100495	375W224	C-R	417316!	3773	C-R	471103!
37491	C-R	455031!	3753M1	C-R	100495	375W224-M1	C-R	417316!	3773B	JN-MN	473423*
374947	WHITE	50327	3753T8	C-R	100495	375W226	C-R	455005	3774	C-R	471103!
37494TA	TRSCM	416339	3753T8	C-R	417349	375W228	C-R	417344!	3775184	GMC	7934S
37494TA	TRSCM	455031!	375416	CABOT	416892!	375W228-M1	C-R	417344!	37753	HYST	472572!
3749981	GMC	5499=	375424	SUL	415138!	375W230	C-R	416956	37754	HYST	450111
374A224	C-R	417316!	3754B	JN-MN	416229	375W230-M1	C-R	416956	3776800	GMC	6818
374AMM224	C-R	417316!	375501	WHITE	471255!	375W3	C-R	100495	3776S	SPG	3776S
374B224	C-R	417316!	3755974	GMC	473179	375W3	C-R	417349	377786R91	IH	415001!
374B228	C-R	417344!*	3755B	JN-MN	471504!	376	CHEL	471763	377787R91	IH	415001!
374BN224	C-R	417316!	37560	C-R	416339	37601	TROS	6936S	377788R91	IH	417316!
374H224-T8	C-R	417316!	37560	C-R	455031!	376016	GMC	473459	377789R91	IH	417316!
374SK43	MACK	240733	37560	HYST	455251H	37605	C-R	416282	3777B	JN-MN	450463
3750	C-R	471103!	37560	TROS	412871!	376077	WITTE	471442!	377826	HYST	6872S
3750	UNIVE	470530!	37561	C-R	416339	37609H	IH	417344!	3779385	GMC	470954
375000R91	IH	416239!	37561	C-R	455031!	3760B	JN-MN	472213	377959R91	IH	471684!
375001R91	IH	416239!	37561	HYST	470898	3761234	GMC	2055	37802	VIC	370048A
37500A	IH	473446	37561	TROS	473473	3761361	GMC	481181!	37802	VIC	380048A
3750231	GMC	415437	37561A	C-R	473232	37619	HYST	415995!	37802	WHITE	370048A
375035X1	MASSE	415458!	37565	C-R	45031S	3761933	GMC	7412S	37802	WHITE	380048A
37504	C-R	5512	37565	VIC	BS16192	376215R91	IH	471684!	37802D	IH	417356!
3750867	GMC	6358	3756B	JN-MN	455290	37626	HYST	472394	37802D	IH	455188
375094	HERCU	417350=	37570	C-R	710262	3762B	JN-MN	473214	3780374	GMC	416273!
3750E	GOODM	415064	37574	BR-ST	481644	37631	C-R	416127	378040R91	IH	415389
3751	C-R	471103!	37574	C-R	415150!*	3763B	JN-MN	472394	378077R91	IH	455500!
37511	C-R	416339	37575	C-R	415150!	3764554	GM	72665	378077R91	IH	455500
37511	C-R	455031!	37577	C-R	415150* =	37649	C-R	417503	378078R91	IH	455500
			3757B	JN-MN	416865!	3765	NATL	4539H	378078R91	IH	455500!

! Industrial Size/Type * Minor Width Difference % Spindle Mount \$ F-M Number Is Part Of A Kit
 = The U.S. customer service number is 877-4-TIMKEN. The Canadian customer service numbers are 800-565-4927 (English) and 800-565-0438 (French-Canadian).

NUMERICAL INTERCHANGE

Zero Duplication or Recommended Industrial		Zero Duplication or Recommended Industrial		Zero Duplication or Recommended Industrial		Zero Duplication or Recommended Industrial	
Mfr. No.	Name	Mfr. No.	Name	Mfr. No.	Name	Mfr. No.	Name
378157R91 IH		380-8025 STEM		381-0053 STEM		382119 WHITE	
378158R91 IH		380-8027 STEM		381-0056 STEM		3821395 CHRYS	
3781810 GMC		380-8028 STEM		381-0064 STEM		3821401 CHRYS	
378191R91 IH		380-8030 STEM		381041R91 IH		382150 WHITE	
378192R91 IH		380-8032 STEM		381042R91 IH		3821519 CHRYS	
378193R91 IH		380-8034 STEM		381043R91 IH		3821656 GMC	
3782343 GMC		380-8035 STEM		381043R91 IH		3821783 CUMMI	
37825 C-R		380-8036 STEM		381055R91 IH		38220 C-R	
3783B JN-MN		380-8039 STEM		3811035 WOOL		38220 TROS	
3785 SPG		380-8042 STEM		38114 C-R		3822107 CHRYS	
3785 SPG		380-8044 STEM		38115 C-R		3822192 CHRYS	
37850 C-R		380-8045 STEM		38116 C-R		382220R91 IH	
37857 SPERY		380-8046 STEM		38121 TROS		382229R91 IH	
37857 VICK		380-8052 STEM		381232R91 IH		382230R91 IH	
378673C91 IH		380-8053 STEM		38128 SPICE		3822829 CHRYS	
378674C91 IH		380-8054 STEM		381299 WHITE		3823 FWD	
378717 SPICE		380-8056 STEM		38133 OLIVE		382386 WHITE	
37872 CHAMP		380-8060 STEM		3813621 GMC		382387 WHITE	
3787296 GMC		380-8063 STEM		381363C91 IH		3824 FWD	
378796R91 IH		380-8064 STEM		381363C92 IH		3824B JN-MN	
3788429 GMC		380-8066 STEM		38141 TROS		3824B JN-MN	
3788430 GMC		380-8067 STEM		3814160 GMC		3825 FWD	
37901350 JAE		380-8071 STEM		3814280 GMC		38250 C-R	
37902 TROS		380003TX SPG		38145 C-R		3825136 GMC	
37903 TROS		380003TXO SPG		38147 OLIVE		3825B JN-MN	
37904325 JAE		38000968 CUMMI		381480R1 IH		3826129 GMC	
37904375 JAE		380019C91 IH		381480R91 IH		382663 GMC	
3790606 GMC		380023TXO SPG		3814R SPG		3827 FWD	
3790622 GMC		380031TX SPG		3815 FWD		3827712 CHRYS	
37908 GEM		3800643 CUMMI		38159 SPICE		382776R91 IH	
37908 ROSS		3800968 CUMMI		38159 VIC		382778R91 IH	
37908286 JAE		3800969 CUMMI		3815B JN-MN		382779R91 IH	
37909550 JAE		3800969 CUMMI		38160 C-R		3827B JN-MN	
37909730 JAE		3801138 CUMMI		381653 WHITE		3828009 STEM	
37909757 JAE		380157R91 IH		3817 FWD		3828010 STEM	
37909762 JAE		380158R91 IH		381721R91 IH		3828011 STEM	
379144 WHITE		380182R91 IH		3817308 GMC		3828017 STEM	
37919 GEM		380183R91 IH		3817308 GMC		3828018 STEM	
37921A C-R		380185R91 IH		381742R91 IH		3828025 STEM	
37921A C-R		380186R91 IH		381743R91 IH		3828027 STEM	
3792463 GMC		380186R92 IH		3817883 GMC		3828585 GMC	
379247R91 IH		380200R91 IH		3818896 GMC		382868C91 IH	
379248R91 IH		380200R92 IH		38190 C-R		3828916 GMC	
379249R91 IH		380201R91 IH		381907R91 IH		3828B JN-MN	
3792564 GMC		380212R91 IH		381908R91 IH		3829 FWD	
3792806 GMC		380213R91 IH		381917R91 IH		3829B JN-MN	
3793 C-R		3802B JN-MN		3819584 GMC		383-0136 STEM	
37932A C-R		3802SS0 SPG		3819774 CUMMI		383-0139 STEM	
3794002 GMC		3803477 CUMMI		382-8028 STEM		383-0153 STEM	
3794006 GMC		3803727 CUMMI		382-8032 STEM		383-0156 STEM	
3794B JN-MN		3803894 CUMMI		382-8034 STEM		383-0164 STEM	
3795B JN-MN		3803894 CUMMI		382-8035 STEM		383-0171 STEM	
379643 WHITE		38040 C-R		382-8036 STEM		383-0264 STEM	
379654 GMC		3804304 CUMMI		382-8039 STEM		38301 TROS	
3796564 GMC		38046 EATON		382-8042 STEM		3830108 CHRYS	
3796575 GMC		3804744 CUMMI		382-8044 STEM		3830109 CHRYS	
3796903 GMC		38053 ALLCH		382-8045 STEM		3830B JN-MN	
3796B JN-MN		380637R91 CASE		382-8052 STEM		3831 FWD	
3797B JN-MN		3806744 CUMMI		382-8053 STEM		383133R91 IH	
3797B JN-MN		380750 GMC		382-8056 STEM		383159R91 IH	
3799B JN-MN		380768R91 IH		382-8056 STEM		383160R91 IH	
37X52X8 SIMRT		380769 GMC		382-8060 STEM		3831716 GMC	
37X52X8SC TRSCM		380769R91 IH		382-8063 STEM		3832368 GMC	
37X52X8TC TRSCM		380770R91 IH		382-8066 STEM		3832418 GMC	
380-8001 STEM		380771R91 IH		382-8071 STEM		383287 WHITE	
380-8009 STEM		38085 C-R		3820196 CHRYS		3833 FWD	
380-8010 STEM		380890R91 IH		3820197 CHRYS		383314R91 IH	
380-8011 STEM		380921R91 IH		3820419 GMC		383315R91 IH	
380-8014 STEM		380922R91 IH		3820917 CUMMI		383328R91 IH	
380-8017 STEM		380959R91 IH		3820918 CUMMI		382119 WHITE	
380-8018 STEM		380960R91 IH		3821 FWD			
380-8020 STEM		381-0036 STEM					

! Industrial Size/Type *Minor Width Difference \$F-M Number Is Part Of A Kit
 = The U.S. customer service number is 877-4-TIMKEN. The Canadian customer service numbers are 800-565-4927 (English) and 800-565-0438 (French-Canadian).

Mfr. No.	Name	Zero Duplication or Recommended Industrial	Mfr. No.	Name	Zero Duplication or Recommended Industrial	Mfr. No.	Name	Zero Duplication or Recommended Industrial	Mfr. No.	Name	Zero Duplication or Recommended Industrial
38333R91	IH	471765!	385076R91	IH	471653!	38677	C-R	417211!	387230	C-R	417159
383340R91	IH	470380!	385077R91	IH	471653!	3867960	GMC	471271!	38724	C-R	55087=
383341R91	IH	472924!	3850E	GOODM	415066	3867961	GMC	471272!	38728	C-R	55337
3833648	GMC	8836S	385134R91	IH	471413!	38680	C-R	417211!	3873	C-R	417350!
383387R91	IH	472070	38514SA	TRSCM	455033	38682	C-R	416345!	38730	C-R	417366!*
383394R91	IH	416664!	3851703	GMC	481181!	38686	C-R	416345!	387309C91	IH	417316=
383395R91	IH	416664!	3851853	GMC	7338N	38686	C-R	455033	38731	C-R	417366!*
3833OS	JN-MN	450593!	38520	C-R	98X120X13	38687	C-R	416345!	38732	C-R	417366!
3835	FWD	415458!	38524TA	TRSCM	417366!	38687	C-R	455033	387328	GR-DV	417211!
383516C91	IH	410308!	3852984	GMC	8460N	38691	C-R	416345!*	38733	C-R	417366!
383516C91	IH	473468	38531A	HERCU	470712!	38692	C-R	416345!*	38734	C-R	417366!
383524	GM	424	38534SA	TRSCM	415958!	38695	C-R	416345!	38739	C-R	415148!
3835625	GMC	450375!	385397	WHITE	455612=	38695	C-R	455033	3873M1	C-R	417350!
3835625	GMC	6936S!	38544	EATON	416956	38696	C-R	416345!	3873T8	C-R	417350!
3835625	GMC	9845	38551	EATON	416956	38696	C-R	455033	3874	C-R	6358
3835774	GMC	5419\$	38551602	IVECO	713131	3869AB	CASE	476838!	3874	FWD	416077
3835946	GMC	6936S	3855K	MINNM	5756	386W222	C-R	455008	387408R91	IH	480268N=
38360	TROS	50402	385692R91	IH	471413!	386W224	C-R	415960	3874340	GMC	5119
3836B	JN-MN	415303!*	385703R91	IH	471267!	386W224-M1	C-R	455008	3874368	GMC	9128S
3837	FWD	417316!	385703R92	IH	471267!	386W226	C-R	417485	3874372	GMC	AR21
3837	OLIVE	417316!	385704R91	IH	471267!	387-8736	STEM	370001A	38745	C-R	415958!
383701R91	IH	472129=	385766R91	IH	472299	387-8755	STEM	370131A	38745	C-R	415958
383727-C1	IH	730008	3857716	GMC	8975S	387-8756	STEM	370131A	38746	C-R	370023A
383728-C1	IH	730030	3857731	GMC	8974S	387-8763	STEM	370132A	38747	C-R	415958
38373	JOY	42352S	3858096	GMC	9195S=	387-8764	STEM	370048A	38748	C-R	417505
383733R91	IH	472129=	385819-C91	IH	HU012A	38700	C-R	416345!	387487	WHITE	470334!
383748R91	IH	473474	385820-C1	IH	730026	38701	C-R	416345!	38749	C-R	417505
3837560	GMC	8705S	3858316	GMC	8976S	387015C1	IH	5111	38750	C-R	380023A
3837716	GMC	240735	385864R91	IH	452222!	387015C1	IH	5111S	387596	WHITE	415371
3837B	JN-MN	472015!	385865R91	IH	452222!	38703	C-R	415697!*	3875B	JN-MN	417211!*
3837E	GOODM	450400	385871R91	IH	473419	387036C1	IH	321460	3876191	GMC	8705S
383860R91	IH	473423	385872R91	IH	473419	387036C91	IH	321460	3876192	GMC	7934S
3838B	JN-MN	411394!	3858832	GMC	470380!	38704	C-R	416345!	3876B	JN-MN	473229
3839	FWD	417158!	38590	C-R	200948	387054	WHITE	473367!	38774	C-R	370023A
383968R1	IH	J1113	38597	CHRYSS	410308!	387054	WHITE	473367!	38774	C-R	416892
384	IDECO	417603!	385FM224	C-R	415960*	38706	C-R	415697!	38774	C-R	456618
38407	OLIVE	473179	3860095	GMC	3945	38706	C-R	455547	38777	C-R	456618
384090R91	IH	471424!	386169C91	IH	470565=	38707	C-R	415697!	38778	C-R	456618
3841	FWD	417487	38618	C-R	476098N=	38708	C-R	415697!	38779	C-R	370023A
384115	WHITE	472636!	38625	C-R	417210!	3870890	CUMMI	39715	38779	C-R	380023A
384116	WHITE	415449!	3862674	CUMMI	40392	38709	C-R	370033A	3877B	JN-MN	472164!
384132	GMC	9015S	38631	C-R	417210!*	38710	C-R	415697!	3878	SPG	1873
3841372	GMC	8750S	38633	C-R	417210!	38710	C-R	455547	38780	C-R	370023A
3841532	GMC	9015S	3863B	JN-MN	415294!	38711	C-R	415697!	38780	C-R	380023A
384156R91	IH	472018	38640	C-R	417210!	38712	C-R	417366!*	38782	C-R	370023A
38427	DANA	9316	38641	C-R	417210!	38713	C-R	415697!*	38782	C-R	380023A
384272	SPICE	9316	3864171	GMC	9015S	3871619	GMC	9613S	38783	C-R	370023A
384301	WHITE	471271!	38643	C-R	417210!	3871649	GMC	470380!	3878447	CHRYSS	471539
384334R91	IH	473230!	386455R91	IH	472924!	3871649	GMC	472189A!	3878447	GMC	471539!
384342	WHITE	370036A	386456R91	IH	472924!	387178	WHITE	472636!	3878753	STEM	370124A
384342	WHITE	370349A	386460R91	IH	472299	38718	C-R	417366!*	3878B	JN-MN	472144!*
3843648	GMC	8835S	386461R91	IH	417492	38719	C-R	417366!*	3879527	GMC	411330!
384386R91	IH	472164!	38647	C-R	417210!	3872	FWD	455584	3879529	GMC	417196!
384387R91	IH	472164!	38649	C-R	3893V	387212	C-R	417480!	3879536	GMC	417355!
3844	FWD	417354!	38653	C-R	417210!	387216	C-R	415082	3879536	GMC	485497
3845021	GMC	473016!	3865358	GMC	6818	387216	GAL	415082	387B224	C-R	415960
3846D	GOODM	415138!	38654	C-R	417210!	387216M1	C-R	415082	387BMM224	C-R	415960
3846E	GOODM	415138!	38654	DENCO	418028	387218	C-R	455280	387F224	C-R	415960
384804	WHITE	416271!	38654	DENCO	455137!	387218M1	C-R	455280	387FF218	C-R	455280
3848353	GMC	9613S	386590TD	SPG	386590A	387220	C-R	415007	387FM224	C-R	415960!
3848354	GMC	9613S	3865924	GMC	473179	387220	GAL	415007	387FM224	C-R	415960
384879R91	IH	416294!	3866	FWD	457874	387220	GW	415007	387HMS217	C-R	415082
3848OS	JN-MN	471532	38666	C-R	417211!	387220M1	C-R	415007	387N224-T8	C-R	415960*
38493TB	TRSCM	415458!	38667	C-R	417211!	387222	C-R	455008	387N230	C-R	417159
3849OS	JN-MN	471646!	3866719	GMC	472705!	387222M1	C-R	455008	387W218	C-R	455280*
384K1	DIA	474276!	38668	C-R	417211!	387224	C-R	455008!	387W220	C-R	415007*
385	IDECO	455251H	3866845	GMC	471707N	387224	FAIRB	415960!	387W220-M1	C-R	415007*
385038R91	IH	471466!	38669	C-R	417211!	387224	GOODM	415960!	387W222	C-R	455008*
385039R91	IH	471466!	3866992	GMC	470530!	387224M1	C-R	415960	387W224-M1	C-R	415960
38504	HYST	413469!	38670	C-R	417211!	387226	C-R	417485	387W226	C-R	417485*
385042	CHRYSS	473234!	3867349	CHRYSS	370023A	387226M1	C-R	417485	387W230	C-R	417159*
385043	CHRYSS	472439	38676	C-R	417211!	387228	C-R	417158!	387W230-M1	C-R	417159*

! Industrial Size/Type * Minor Width Difference \$F-M Number Is Part Of A Kit
 = The U.S. customer service number is 877-4-TIMKEN. The Canadian customer service numbers are 800-565-4927 (English) and 800-565-0438 (French-Canadian).

NUMERICAL INTERCHANGE

Zero Duplication or Recommended Industrial		Zero Duplication or Recommended Industrial		Zero Duplication or Recommended Industrial		Zero Duplication or Recommended Industrial	
Mfr. No.	Name	Mfr. No.	Name	Mfr. No.	Name	Mfr. No.	Name
387W3 C-R	417350!	38X52X85TC TRSCM	38X52X8.5!	390-9060 STEM	370005A	39114 FI-CO	474278!
387W3-M1 C-R	417350!	38X53X8SC TRSCM	38X53X8	390-9061 STEM	370030A	39115 FI-CO	474256!
387WL224 C-R	415960!	38X53X8TC TRSCM	38X53X8	390-9062 STEM	370121A	39118 C-R	100X120X10
3880 GARLK	471760	38X54X10SC TRSCM	38X54X10	390-9063 STEM	2081	39118 SPICE	5778
3880674 GMC	6358	38X54X10TC TRSCM	38X54X10	390-9064 STEM	370021A	39118 VIC	5778
3880944 GMC	AR22	38X54X7SC TRSCM	38X54X7!	390-9065 STEM	370019A	39118-2 DANA	5778
3880B JN-MN	470530!	38X54X7TC TRSCM	38X54X7!	390-9070 STEM	370006A	3911917 GMC	470530!
38810 C-R	416043	38X55X7SC TRSCM	38X55X7!	390-9073 STEM	370003A	3911B JN-MN	455151
38816D IH	474253	38X55X7TC TRSCM	38X55X7!	390-9081 STEM	370173A	3912 FI-CO	471344
3881B JN-MN	473463	38X56X10SC TRSCM	38X56X10	390-9087 STEM	370006A	39120 C-R	100X120X12!
388247C92 IH	HU009A	38X56X10TC TRSCM	38X56X10	390-9088 STEM	370021A	39120 C-R	231002
3883 SPG	55X82X12!	38X58X8SC TRSCM	38X58X8	390-9089 STEM	370069A	3912016 GMC	416273!
3883386 GMC	2081	38X58X8TC TRSCM	38X58X8	390-9089 STEM	380069A	39122 C-R	231002
38835 CHRY5	470898	38X60X10SC TRSCM	38X60X10	390-9090 STEM	415058	3912202 GMC	472164!
388357 GMC	8940S	38X60X10TC TRSCM	38X60X10	390-9092 STEM	370019A	3912446 GMC	481181!
3883621 CUMMI	37586	38X60X8ASN(32) ISP	38X60X8	390-9094 STEM	416892	39125 C-R	100X120X12V!
3883621 CUMMI	600394	38X62X7SC TRSCM	38X62X7	390-9095 STEM	370030A	39125 C-R	231004
3883774 CUMMI	5742	38X62X7TC TRSCM	38X62X7	390-9096 STEM	370019A	3912RC SUL	474265
3883775 CUMMI	5741	38X65X8SC TRSCM	38X65X8!	390-9097 STEM	370005A	39123 FI-CO	471571
388506 WHITE	412119!	38X65X8TC TRSCM	38X65X8!	390-9098 STEM	370003A	39135 C-R	100X125X12!
3885295 GMC	8750S	38X68X10SC TRSCM	38X68X10	390-9099 STEM	370023A	39135 C-R	231003
388770 WHITE	415137!	38X68X10TC TRSCM	38X68X10	390-9099 STEM	415958	39136 C-R	100X125X12V!
388770 WHITE	418028!	38X68X8SC TRSCM	38X68X8!	390-9099 STEM	417505	39139 C-R	231003
38880 C-R	710526	38X68X8TC TRSCM	38X68X8!	390-9111 STEM	370220A	39140 TROS	3210
388822C91 IH	476470	38X70X10SC TRSCM	38X70X10	3900709 COND	39803	3914761 COND	39806
388823C91 IH	416130!	38X70X10TC TRSCM	38X70X10	3900709 CUMMI	39803	391483 BR-ST	471267!
388974 GMC	9049	38X72X10SC TRSCM	38X72X10	3900709080 CUMMI	39803	3914B JN-MN	55223 * =
388974 GMC	9049N	38X72X10TC TRSCM	38X72X10	3901014 GMC	5453	39155 C-R	100X130X12!
3889B JN-MN	471504!	38X74X11SC TRSCM	38X74X11	390106 HYST	417247!	39156 C-R	100X130X12!
388WL222 C-R	455008	38X74X11TC TRSCM	38X74X11	3901979 COND	39804	39158 C-R	100X130X12!
389083R91 IH	415871	38X74X8SC TRSCM	38X74X8!	39022 OLIVE	470334!	39159 C-R	100X130X12V
389160001 WHITE	472636!	38X74X8TC TRSCM	38X74X8!	3904087 COND	39805	39160 TROS	470625!
3891B JN-MN	417356!	39 WGEAR	470565!	3904088 COND	39806	39161 TROS	6489
3891B JN-MN	455188	390-7008 STEM	370029A	3904089 COND	39805	39162 TROS	480630
3892794 CUMMI	5734	390-7025 STEM	370027A	3904090 COND	39806	3917 FI-CO	474255
3892B JN-MN	416364!*	390-7048 STEM	370046A	3904353 CUMMI	39803	39170 C-R	710351
3893105 CHRY5	370001A	390-9001 STEM	AR20+370004A	390490C91 IH	476574N	39180 C-R	100X140X13
3893105 CHRY5	380001A	390-9002 STEM	416892	390491C91 IH	416500	3918B JN-MN	415938
3893149 CHRY5	HU009A	390-9003 STEM	416892	3904B JN-MN	471141!	3919309 GMC	471424!
3893298 GMC	5072	390-9004 STEM	415058	3905405 GMC	481181!	391975R91 IH	412119!
3893299 GMC	5072\$	390-9005 STEM	370021A	390558 AUTOZ	35634	391976R91 IH	412119
389405R91 IH	470530!	390-9006 STEM	370019A	39058 OLIVE	473215!	392-9001 STEM	AR20+370004A
389405R92 IH	470530!	390-9007 STEM	416865	390586 AUTOZ	35633	392-9007 STEM	416865
389406R91 IH	470530!	390-9010 STEM	370033A	390589 AUTOZ	35641	392-9010 STEM	370033A
389407R91 IH	472439	390-9012 STEM	370023A	390603 AUTOZ	TCS45987	392-9012 STEM	370023A
389407R92 IH	472439	390-9015 STEM	417505	390606 AUTOZ	35652	392-9018 STEM	370008A
389408R91 IH	472439	390-9018 STEM	370008A	3906080 CUMMI	99253	392-9019 STEM	370057A
3894121 CHRY5	710044	390-9019 STEM	370057A	3906081 CUMMI	99491	392-9021 STEM	370027A
3894131 CHRY5	41461S	390-9021 STEM	370027A	390613 AUTOZ	BS40654	392-9032 STEM	370036A
3894147 CHRY5	710304	390-9022 STEM	370005A	390659 WHITE	476838!	392-9032 STEM	380036A
389445R91 IH	471750!	390-9024 STEM	370006A	390680 AUTOZ	16270	392-9033 STEM	416888
389446R91 IH	471750!	390-9025 STEM	370019A	390681 AUTOZ	16271	392-9035 STEM	370047A
3895020 CUMMI	5728	390-9026 STEM	370019A	390683 AUTOZ	16272	392-9036 STEM	415437
3895023 CUMMI	5732	390-9032 STEM	370036A	390684 AUTOZ	16273	392-9038 STEM	370046A
3895034 CUMMI	39869	390-9032 STEM	370349A	390697 AUTOZ	70725	392-9046 STEM	370027A
3895B JN-MN	472409!	390-9032 STEM	380036A	39070 C-R	710278	392-9048 STEM	370069A
3896837 CUMMI	5734	390-9033 STEM	416888	390734 AUTOZ	TCS45979	392-9048 STEM	380069A
3897B JN-MN	473215!*	390-9034 STEM	370195A	3907B JN-MN	415150!*	392-9053 STEM	AR23+370120A
389879 WHITE	415041	390-9035 STEM	370047A	39085 C-R	476517	392-9057 STEM	417506
389880 WHITE	415021	390-9036 STEM	415437	3909410 CUMMI	39805	392-9062 STEM	370121A
389881 WHITE	5751	390-9038 STEM	370046A	390RC SUL	473245!	392-9063 STEM	2081
389RC SUL	472016	390-9039 STEM	370191A	391-0003 STEM	416892	392-9081 STEM	370173A
38G42 OSHKO	416654	390-9046 STEM	370027A	391-0004 STEM	415058	392-9087 STEM	370006A
38GX42 OSHKO	416654	390-9048 STEM	370069A	391-0012 STEM	370023A	392-9088 STEM	370021A
38H021 SHO	474276!	390-9048 STEM	380069A	391-0060 STEM	370005A	392-9089 STEM	370069A
38X50X10.5 FME	223800	390-9050 STEM	370069A	391-0064 STEM	370020A	392-9089 STEM	380069A
38X50X10.5 SPG	223800	390-9050 STEM	380069A	391-0064 STEM	370021A	392-9090 STEM	415058
38X50X7SC TRSCM	38X50X7!	390-9053 STEM	AR23+370120A	391-0070 STEM	370006A	392-9092 STEM	370019A
38X50X7TC TRSCM	38X50X7!	390-9056 STEM	370023A	391-0073 STEM	370003A	392-9094 STEM	416892
38X52X6VAY TRSCM	1196	390-9056 STEM	415958	3910B JN-MN	417205!*	392-9095 STEM	370030A
38X52X7ASN ISP	38X52X7	390-9056 STEM	417505	3911035 WOOL	455406!	392-9096 STEM	370019A
38X52X85SC TRSCM	38X52X8.5!	390-9057 STEM	417506	39111 FI-CO	472439	392-9097 STEM	370005A

! Industrial Size/Type *Minor Width Difference \$F-M Number Is Part Of A Kit
 = The U.S. customer service number is 877-4-TIMKEN. The Canadian customer service numbers are 800-565-4927 (English) and 800-565-0438 (French-Canadian).

Mfr. No.	Name	Zero Duplication or Recommended Industrial	Mfr. No.	Name	Zero Duplication or Recommended Industrial	Mfr. No.	Name	Zero Duplication or Recommended Industrial	Mfr. No.	Name	Zero Duplication or Recommended Industrial
392-9098	STEM	370003A	393-0204	STEM	415058	394323	MISSI	411376!	396993	WHITE	415995!
392-9099	STEM	417505	393-0273	STEM	380003A	39433	MISSI	473239	3969B	JN-MN	417362!
392-9111	STEM	370220A	3930B	JN-MN	411376!	39435	MISSI	471554	397-9703	STEM	416892
392-9112	STEM	415058	39310	C-R	455191*	39439	VIC	9316	397-9704	STEM	415058
392-9131	STEM	380003A	39316	C-R	416654!	39439-2	SPICE	9316	397-9712	STEM	370023A
3920121	MARMO	473215!	393180R91	IH	335924N	39440	C-R	6270	397-9715	STEM	370023A
3920122	MARMO	473367!	39320	C-R	455191*	39440	TROS	5921	397-9748	STEM	370069A
3920122	MARMO	473367	39320	TROS	450044	394451C91	IH	470898	397-9748	STEM	380069A
3920123	MARMO	470088	3932255	GMC	9613S	39448	MATHR	417433	397-9757	STEM	417506
3920125	MARMO	415458!	3932283	GMC	253747=	3945	C-R	10X22X7!	397-9760	STEM	370005A
3920126	MARMO	472636!	3932286	GMC	471341=	394504	WHITE	417267	397-9761	STEM	370030A
39202	TROS	40369S	3932288	GMC	7412H=	394511	WHITE	415711	397-9764	STEM	370021A
392048	WHITE	415027	39325	C-R	455191*	3945B	JN-MN	476470	397-9765	STEM	370019A
39210	FI-CO	471765!	39326	C-R	455191*	394629	WHITE	472354!	397-9770	STEM	370006A
3921012	GMC	9845	3932B	JN-MN	417562*	394686C91	IH	9912	397-9773	STEM	370003A
3921072	GMC	8611N	3933B	JN-MN	417562*	3947	C-R	10X22X7V	39708	MATHR	50568
3921194	GMC	9845	3934486+600363	SPG	600363	394735C91	IH	HU036A	397143	WHITE	472185!
39216	FI-CO	471567!	393453R91	IH	450621	394745	WHITE	475348N	397144	WHITE	473010
3921927	COND	39804	3935	NATL	5699	394746	WHITE	5M466	3971B	JN-MN	415725!
3921927	CUMMI	39804	39350	C-R	415263*	394761	WHITE	472636!	3973135	GMC	5115
392194	HYST	416130!	393516C91	IH	410308!	3948889	GMC	730031	397325	WHITE	473228!
3921972	GMC	5092\$	393516C91	IH	473468	394894C91	IH	370001A	3973462	GMC	9845
3921B	JN-MN	471271!	393544R91	IH	472258!	3948BHR	SPG	5604	397470	GMC	470380!
3922	FI-CO	450604	393545R91	IH	471424!	39494SA	TRSCM	415034	3974846	GMC	370106A
3922598	CUMMI	907104	393546R91	IH	472018	394976	VICK	474260	3974847	GMC	2081
3922B	JN-MN	416345!	39355	C-R	415263	3950	C-R	10X24X7	3974848	GMC	2055
3922B	JN-MN	455033	3935959	CUMMI	39803	3951	CALSO	471870!	3974849	GMC	417355!
39235	FI-CO	472924!	3936B	JN-MN	416865!*	395125C91	IH	9773	3974849	GMC	485497
39236	FI-CO	472636!	3937	UNIVE	471984	3952	C-R	10X25X7	3974850	GMC	6358
392363R91	IH	415995!	39370	C-R	415263*	39524SA	TRSCM	455191	3975731	GMC	473229
392363R91	IH	415995!	39371	C-R	415263*	3952B	JN-MN	416107!	3975B	JN-MN	471870!
39237	FI-CO	473225!	39378	C-R	370008A	3952B	JN-MN	455073	39760	C-R	710371
392378R91	IH	340724!	3937B	JN-MN	472354!	3953412	GMC	9406S	3976B	JN-MN	412473!
3924031	GMC	8460N	39380	C-R	370008A	395500R91	IH	450639	3977359	GMC	2286
3924032	GMC	712598	39380	C-R	417506	395591	WHITE	471567!	3979613	GMC	9316
3924033	GMC	411330!	39382	CHRY	413469!	3956523	FORD	4162	3979614	GMC	5778
3924127	GMC	473179	39385	C-R	6270	3958001	GMC	5092	3979615	GMC	6808N
39245	C-R	417967!*	393879	WHITE	470712!	3958078	GMC	8835S	3979616	GMC	5778
39246	SPICE	710067	39388	CHRY	472179	3960	C-R	10X26X7	3979626	GMC	470954
392461	DANA	710067	3938B	JN-MN	473232	3960335	GMC	8660S	3979735	STEM	370047A
392462	DANA	710067	3940	C-R	10X19X7!	3960860	GMC	471466!	3979B	JN-MN	473367!
392463	DANA	710067	3940	C-R	221040	396148C91	IH	415995!	3979B	JN-MN	473367
392464	DANA	710067	3940108	GMC	9316	396148C91	IH	415995!	3980267	GMC	9845
392465	DANA	710067	39407A	C-R	470530!	3961VGO	SPG	2260	39805	MATHR	39805
3924987	CUMMI	100310	3940B	JN-MN	450311*	3962863	GMC	5072	39807	MATHR	39807
3924B	JN-MN	55223=	39410	C-R	417506	39636	SPG	39636	39813	MATHR	415937
39250	C-R	417967!	39412	SHOV	415991	396395-C92	IH	370021A	3982B	JN-MN	417171!
39251	C-R	417967!	39412	SHOV	415991!	396470	GMC	2043	3983	NATL	8835S
3925529	CUMMI	917157	394163	WHITE	476838!	3964B	JN-MN	416706!	398311	WHITE	473231!
39265	C-R	415034!	3941847	GMC	473228	3964BXR	SPG	1969	398321R91	IH	470625!
39266	C-R	415034!	3941B	JN-MN	455280*	3964BXR	SPG	48X63X9!	3983488	GMC	5132
3926B	JN-MN	472287!*	3942	C-R	10X22X7V	3965092	GMC	4739	39838	C-R	335924N
39275	C-R	415034!*	39420	C-R	417506	3965129	GMC	472394	39842	C-R	457294
39276	C-R	415034*=	394224	C-R	55469	396524	WHITE	473462	39850	C-R	415187
39279	C-R	415034!	394227	C-R	2081	396526C91	IH	370019A	39851	C-R	415187
39280	C-R	415034!	39422A	C-R	415449!	3965B	JN-MN	473010	39852	C-R	415187
3929	FI-CO	471765!	39423	C-R	370005A	3965LPD	JN-MN	473010	3985CA	SPG	3985
3929034	STEM	370195A	39423	C-R	417506	3965LUP	JN-MN	473010	3985CAR	SPG	1992
3929130	STEM	415058	394233	WHITE	416865!	39667A	C-R	6098=	3985CAR	SPG	45X65X8!
392929C91	IH	472164!	39425	C-R	417506	3966B	JN-MN	473211!	39860	C-R	45187S
392929C92	IH	472164!	3942535	CUMMI	39804	3966BX	SPG	3966	3986B	JN-MN	472258!*
3929B	JN-MN	415645!	39426	C-R	AR25+370198A	3967875	GMC	473313	3986CAR	SPG	224820
3929B	JN-MN	455104	3942CAO	SPG	3942	3967876	GMC	410308!	3986CAR	SPG	48X62X8!
392RC	SUL	471766!	3943	C-R	455509	3967876	GMC	473468	39870	C-R	415187
393-0103	STEM	416892	39430	C-R	417506	3967B	JN-MN	470059	398744	CATER	417562
393-0104	STEM	415058	39431	MISSI	471785!	3967B	JN-MN	470380!	398770	GMC	HU009A
393-0112	STEM	370023A	394312	MISSI	471785!	3967CA	SPG	3967	3987936	GMC	7412S
393-0112	STEM	380023A	394313	MISSI	474274	3967CAR	SPG	1962	3987937	GMC	481181!
393-0148	STEM	380069A	394314	MISSI	473239	3968050	GMC	473214!	39880	C-R	415035
393-0173	STEM	370003A	394316	MISSI	471224!	3968B	JN-MN	472185!	39880	C-R	415035*
393-0173	STEM	380003A	39432	MISSI	474274	39693	DANA	9864S	39883	C-R	415035*
393-0203	STEM	416892	394322	MISSI	455321	39693	SPICE	9864S	39885	C-R	415035

! Industrial Size/Type * Minor Width Difference \$F-M Number Is Part Of A Kit
 = The U.S. customer service number is 877-4-TIMKEN. The Canadian customer service numbers are 800-565-4927 (English) and 800-565-0438 (French-Canadian).

NUMERICAL INTERCHANGE

Mfr. No.	Name	Zero Duplication or Recommended Industrial	Mfr. No.	Name	Zero Duplication or Recommended Industrial	Mfr. No.	Name	Zero Duplication or Recommended Industrial	Mfr. No.	Name	Zero Duplication or Recommended Industrial
39895	C-R	415035	3999B	JN-MN	418028	3H1589	LEYLD	470898	3NE-08	GEM	6597S
39895	C-R	415035!	3999B	JN-MN	455137!	3H1590	CATER	415035	3NF-01	GEM	240949
3989505	GMC	8835S	399AMM3	C-R	415995!	3H2008	CATER	415899N	3NF12	GEM	6597S
3989506	GMC	8835S	399B230	C-R	416654*	3H2008	CATER	416624	3PS396	C-P	415449!
3989CA	SPG	1974	399B3	C-R	415995	3H2019	CATER	471787!	3R12521	GMC	416102
398GX	OSHKO	416654	399B3	C-R	415995!	3H2118	LEYLD	472164!	3R8555	GMC	415683
39905	C-R	415035	399BM3	C-R	415995!	3H2129	AU-WS	471192	3R8556	GMC	416364!
39906	C-R	415035	399BM3	C-R	415995!	3H7047	AU-WS	473228!	3R8557	GMC	415294!
39906	C-R	415035!	399C3	C-R	415995!	3H995	CATER	417343!	3R963	GMC	416865!
39915	C-R	415035*	399C3	C-R	415995	3HF14	GEM	6597S	3S2214	CATER	473234!
39915	MATHR	5609	399E3	C-R	415995	3J0366	CATER	412871!	3S2845	CATER	417555=
399162	WHITE	470898!	399FM28	C-R	471341!*	3J0370	CATER	413479*	3SPC22A	NOVO	470059
39920D	IH	470334!	399N230	C-R	416654	3J0371	CATER	416271!	3SPC22A	NOVO	470380!
39921	C-R	415035*	399W228	C-R	416921!	3J0374	CATER	415938	3T1003	HU-WR	415379
39921	C-R	456967V!	399W228-M1	C-R	416921!	3J0375	CATER	415960	3T1003	HU-WR	415379!
39922	C-R	415035*	399W3-M1	C-R	415995!	3J0377	CATER	415938	3T1004	HU-WR	470625!
39922	C-R	475845!	3A100	AT IM	476470	3J0378	CATER	472572!	3T1014	HU-WR	415449!
39923	C-R	415035	3A2701	FMC	471870!	3J1516	CATER	416380!	3T1015	HU-WR	472636!
39923	C-R	475845!	3A2702	FMC	471271!	3J1813	CASE	417487	3T1026	HU-WR	471689!
39926	C-R	415035	3A2836	AT IM	474260	3J1813	CATER	417487!	3T1549	HU-WR	471765!
39926	C-R	415035!	3A2925	AT IM	450545	3J1813	CATER	417487	3T1554	HU-WR	415442!
39927	C-R	415035!	3A653	AT IM	471570!	3J1814	CATER	416364!	3T1554	HU-WR	55442
39927	C-R	415035	3A669	AT IM	473467!	3J3153	FMC	472636!	3T1555	HU-WR	471652
39930	C-R	415035=	3A75	AT IM	471267!	3J3154	FMC	471791	3T1572	HU-WR	473244
39931	C-R	415035!	3A76	AT IM	471760	3J3602	FMC	471271!	3T1641	HU-WR	7208S
39931	C-R	415035	3A89	AT IM	472705!	3J365	CATER	415458!	3T1746	HU-WR	240319
39932	C-R	456967V	3B1226	CATER	471821!	3J366	CATER	412871!	3W5694	CATER	416892
39933	C-R	415035!	3B1508	CATER	471442!	3J368	CATER	415295=	3XE446	PARGN	411253!
39933	C-R	415035	3B3355	CATER	471224!	3J369	CATER	415988	3Y224	GW	415001!
39934	C-R	415035	3B3443	CATER	473460	3J371	CATER	416271!	3Y393	CHRY	471141!
39935	C-R	415035*	3B3443	WESTR	473460	3J372	CATER	415138!	3Y393	GW	471141!
39935	CLARK	471689!	3B3657	CATER	415196!	3J373	CATER	471138!	3Y393	IH	471141!
399356	WHITE	415043	3B3716	CATER	415021	3J374	CATER	415938	3Y393	WHITE	471141!
39937	C-R	415035	3B3887	CATER	473426	3J375	CATER	415960	3Y569	GW	472409!
39938	C-R	415035	3B3888	CATER	471504!	3J377	CATER	415938	4-1056	TW-CO	50631
3993RC	SUL	415938	3B5657	CATER	415196!	3J378	CATER	472572!	4-1062	TW-CO	5M497
399499	HYST	417247!	3B5746	CATER	472287!	3J4407	CATER	471554	4-4055	IPS	473823
3995B	JN-MN	416921!	3B7360	CATER	415458!	3J4544	CATER	471466	4-7198	FLXIB	416865!
39961	C-R	345035	3B7360	WESTR	415458!	3J4776	CATER	473464	4-7198	TW-CO	416865!
39970	C-R	415035!	3B8188	CATER	415899N	3J4777	CATER	410987!	4-AL1327	MACK	240023
39970	C-R	415035	3B8188	CATER	416624	3J484	CATER	415379	4-AL1328	MACK	471571
39971	C-R	415035	3B8564	CATER	474253!	3J8517	CATER	415295	40-0003205	WHITE	485197H=
39971	C-R	415035!	3B8984	CATER	471137	3J8518	CATER	415138!	40-01642	TW-CO	473444
399736C91	IH	415483!	3B9008	CATER	417191	3J8519	CATER	415938	40-01643	TW-CO	473238!
39975	C-R	417356!	3B9008	CATER	456585	3J8520	CATER	416364!	400	UNIVE	417357
39975	C-R	455188	3B9116	CATER	415991	3J8521	CATER	415027	400	UNIVE	455192!
39979	C-R	AR12+370033A	3B9116	CATER	455146!	3J8523	CATER	415295	4000-1660	MERCE	1999
39979	C-R	AR25+370198A	3B9369	CATER	416956	3J9091	CATER	472016	4000-1900	IVECO	229005
399798R91	IH	416664!	3B9378	CATER	417211!	3J9092	CATER	472016	4000-1900	IVECO	229006
3998	CINMI	470712!	3B9387	CATER	417211!	3J9681	CATER	415379	4000-1920	MERCE	416156
39980	C-R	417356!	3BLA0236	WHITE	470898!	3K0158	CATER	455948	4000-1940	IVECO	231404
39980	C-R	455188	3CF1157	OLIVE	40085S	3K158	CATER	455948	4000-1940	IVECO	231404
39981	C-R	417356!	3CF1209	OLIVE	411253!	3K2876	CATER	417484!	4000-3510	IVECO	717006
39981	C-R	455188	3CF1231	OLIVE	450400	3K2969	CATER	480630!	4000 C-R		417357
39982	C-R	417356!	3D8417	CATER	415128	3K3065	CATER	473237!	40000010	FI-AL	713081
39983	C-R	417356!	3F0984	CATER	415351!	3K3354	CATER	416037=	40000040	FIAT	227040
39984	C-R	417356!	3F1395	CATER	415196!	3K5093	CATER	457808* =	40000050	FIAT	224025
39984	C-R	455188	3F3211	CATER	472439	3K6454	CATER	452157!	40000050	YUGO	224025
39985	C-R	417356!	3F3709	CATER	472492!	3K9061	CATER	416037=	400001	WAYNE	417495
3998519	GMC	8660S	3F4991	CATER	471689!	3K9121	CATER	415035!	40000100	FIAT	713027
399857	WHITE	470530!	3F5791	CATER	415035!	3K9612	CATER	476470!	4000015	GMC	412920!
39988	C-R	AR12+370033A	3F6605	CATER	471138!	3K9615	CATER	411253=	40000170	FIAT	713055
3998OS	JN-MN	415196!*	3F690	CATER	480630!	3K9619	CATER	476470!	40000220	IVECO	713118
39990	C-R	AR12+370033A	3F885	CATER	472439	3K9704	CATER	411376!	40000230	FIAT	713077
39991	C-R	417357	3F9351	NATEN	417191	3L0642	CATER	415302	40000240	FIAT	223275
39991	C-R	455192!	3F9351	NATEN	455165!	3L3313	CATER	416891!	40000240	FIAT	32X56X10!
39993	C-R	417357	3F9497	NATEN	416891!	3L3314	CATER	417262=	40000260	FIAT	222860
39994	C-R	417357	3F9498	NATEN	416891!	3L642	CATER	415302	40000260	FIAT	28X47X7!
39997	C-R	417357	3F984	CATER	415351!	3M188	CATER	471442!	40000280	IVECO	713130
39997	C-R	455192!	3FT39	OSHKO	417181!	3M6839	CATER	455029H=	40000300	FIAT	224220
39998	C-R	417357	3G19426	NATEN	415551	3M6853	CATER	451583!	40000320	FIAT	713051
39999	C-R	417357	3H1397	CATER	473228	3N0533	CATER	417171!	400003205	HERCU	485197H=

! Industrial Size/Type * Minor Width Difference

= The U.S. customer service number is 877-4-TIMKEN. The Canadian customer service numbers are 800-565-4927 (English) and 800-565-0438 (French-Canadian).

OIL SEALS

400003239 – 4004653

Mfr. No.	Name	Zero Duplication or Recommended Industrial	Mfr. No.	Name	Zero Duplication or Recommended Industrial	Mfr. No.	Name	Zero Duplication or Recommended Industrial	Mfr. No.	Name	Zero Duplication or Recommended Industrial
400003239	WHITE	416332!	40003	C-R	417357	40009	JN-MN	HU013A	400280	C-R	800280
40000350	FIAT	713032	40003	C-R	455192!	40009	SPG	240009	400281	C-R	800281
40000410	IVECO	713133	40003	JN-MN	HU024A	40009S	SPG	471466	400284	C-R	800284
40000450	FIAT	226480	40003-33	TW-CO	471765!	400100	C-R	800100	400285	C-R	800285
40000450	FIAT	713160	400030	C-R	800030	400101	C-R	800101	4003	C-R	415995!
40000460	FIAT	226480	40003080	FIAT	713068	400104	C-R	800104	4003	CABOT	415995!
40000470	FIAT	223035	40003260	IVECO	713127	4001040	IVECO	713129	4003	FAIRB	415995!
40000480	IVECO	713108	40003270	FIAT	713025	400105	C-R	800105	4003	GR-DV	415995!
40000490	FIAT	713065	40003300	FIAT	713061	400120	C-R	800120	4003	GWJ	415995!
40000520	IVECO	713126	40003310	FIAT	713056	400121	C-R	800121	400300	C-R	800300
40000560	IVECO	713114	400034	C-R	800034	400124	C-R	800124	40030004	TROS	45013S
40000620	FI-AL	713085	40003610	AUTOB	713020	400125	C-R	800125	40030007	TROS	415995!
40000620	IVECO	713139	4000370	IVECO	713122	400130	C-R	800130	40030007.5	TROS	415995!
40000690	IVECO	713112	40003710	IVECO	713124	400134	C-R	800134	40030007C	TROS	415995!
40000720	FI-AL	713086	40003990	YUGO	226480	400140	C-R	800140	40030007C	TROS	415995!
40000730	FI-AL	713083	40004	C-R	800040	400141	C-R	800141	40030009.25	TROS	415995!
40000740	FI-AL	713079	4000400	FIAT	713072	400144	C-R	800144	40030009.25	TROS	415995!
40000770	FIAT	223620	40004000	FIAT	713072	4001449	ALLCH	472394	40030010	TROS	415995!
40000810	FIAT	223014	40004030	FIAT	713030	40014490	ALLCH	472394	40030010	TROS	415995!
40000850	IVECO	713096	40004110	FIAT	713049	400145	C-R	800145	400301	C-R	800301
40000880	FI-AL	713080	40004170	FIAT	713058	4001456	ALLCH	472394	400304	C-R	800304
40000950	IVECO	713109	40004190	FIAT	713071	4001459	GWJ	415295	400305	C-R	800305
40000LDS	JN-MN	473214!	40004200	FIAT	713033	400160	C-R	800160	40030507.5	TROS	416404!
40001	C-R	417357	40004210	FIAT	713052	400161	C-R	800161	40030812	TROS	416404!
40001	C-R	455192!	40004230	FIAT	713026	400164	C-R	800164	400320	C-R	800320
40001010	IVECO	713098	40004240	FIAT	713039	400165	C-R	800165	400321	C-R	800321
40001020	IVECO	713088	40004250	FIAT	713042	40018	SPG	471264	400324	C-R	800324
40001050	IVECO	713105	40004270	FIAT	224025	400180	C-R	800180	400325	C-R	800325
40001060	IVECO	713099	40004270	FIAT	713159	400181	C-R	800181	40034	C-R	417158!
40001150	MERCE	222510	40004280	FIAT	226480	400184	C-R	800184	40034M1	C-R	416404!
40001150	MERCE	25X35X7!	40004280	FIAT	713161	400185	C-R	800185	40035	C-R	370015A
40001320	FI-AL	713082	40004280	FIAT	713162	40019	AMC	6356	400350	C-R	800350
40001440	IVECO	713100	40004290	FIAT	227040	4001OS	JN-MN	472636!	400351	C-R	800351
40001460	FIAT	713028	40004310	FIAT	713075	4002	C-R	55524	400354	C-R	800354
40001570	IVECO	713120	40004320	FIAT	713043	400200	C-R	800200	400355	C-R	800355
4000160	FIAT	713060	40004330	ALFAR	713004	400201	C-R	800201	40036	C-R	416130!*
40001650	IVECO	713110	40004350	FIAT	713069	400204	C-R	800204	40037	GEM	471224!
40001720	YUGO	222510	400044	C-R	800044	400205	C-R	800205	40038	C-R	417433
40001720	YUGO	25X35X7!	40004400	FIAT	713040	40021	C-R	416130!	400380	C-R	800380
40001790	FIAT	713102	40004450	AUTOB	713022	400216	C-R	455655!	400381	C-R	800381
40001790	IVECO	140X160X13!	40004460	FIAT	223035	400216M1	C-R	455655!	400384	C-R	800384
40001790	MERCE	140X160X13!	40004620	FIAT	713067	400220	C-R	800220	400385	C-R	800385
40001860	FIAT	713048	40004630	FIAT	713066	400221	C-R	800221	40039LDS	JN-MN	65X100X10*
40001880	IVECO	227540	40004670	FIAT	713029	400224	C-R	800224	4003CR	F-R-H	415995!
40001880	IVECO	227550	4000467R91	IH	416404!	400224M1	C-R	416706!	4003DBL	GWJ	415995!
40001880	IVECO	75X100X12!	40004750	FIAT	713050	400225	C-R	800225	4003DBL	GWJ	415995!
40001910	IVECO	100X130X12!	40004760	FIAT	713038	400226	C-R	475384	4003M1	C-R	415995!
40001910	IVECO	713090	40004780	FIAT	713035	400226M1	C-R	475384	4003T	C-R	415995!
40001930	IVECO	125X150X12!	40004810	AUTOB	713019	400228	C-R	416921!	40040	C-R	370015A
40001930	IVECO	231250	40004840	FIAT	713036	400228K	CLARK	416921!	400400	C-R	800400
40001930	MERCE	125X150X12!	40004870	FIAT	713053	400228M1	C-R	416921!	400401	C-R	800401
40001930	MERCE	231250	40004880	FIAT	713062	40023	C-R	416130!	400404	C-R	800404
40001LDS	JN-MN	415379	400050	C-R	800050	40023	GEM	480630!	400405	C-R	800405
40001LDS	JN-MN	415379!	400051	C-R	800051	40023	MACK	480630!	40041	C-R	416130!*
40002	C-R	417357	4000527R91	IH	417351!	400230	C-R	416654!	40041	JN-MN	HU066A
40002	C-R	455192!	4000531R91	IH	476470!	400230M1	C-R	416654!	4004130	EUCLD	417554!
40002050	IVECO	713137	4000531R91	IH	476470	400235	JEFF	473231	4004130	GMC	417554!
40002120	FIAT	713041	400054	C-R	800054	40024807	TROS	416706!	4004136	GMC	J1138
40002130	FIAT	713047	400055	C-R	800055	40024807C	TROS	416706	4004199	GMC	J1136
40002180	FIAT	713037	400060	C-R	800060	400250	C-R	800250	40042	C-R	416130!
40002310	IVECO	713093	400061	C-R	800061	400251	C-R	800251	40042LDS	JN-MN	416271!
40002440	FI-AL	713084	400064	C-R	800064	400254	C-R	800254	40043	C-R	416130!
40002450	IVECO	713125	400065	C-R	800065	400255	C-R	800255	40043LDS	JN-MN	473231!
40002540	AUTOB	713021	400070	C-R	800070	40025607.5	TROS	416921!	40044	C-R	416130!
40002600	IVECO	713144	400071	C-R	800071	40025610	TROS	416921!	4004496	GMC	415303!
40002690	IVECO	713121	400074	C-R	800074	40026004	TROS	43086S	40045	C-R	416130!
40002741	FIAT	227409	400075	C-R	800075	40026007.5	TROS	416654!	400450	C-R	800450
40002810	FI-AL	713078	400080	C-R	800080	40026009.25	TROS	416654	400451	C-R	800451
40002850	IVECO	713092	400081	C-R	800081	40026010	TROS	416654	400454	C-R	800454
40002900	FIAT	1963	400084	C-R	800084	40027	SPG	471554	400455	C-R	800455
40002900	YUGO	1963	400085	C-R	800085	40028	C-R	415254	4004652+600392	SPG	600392
			40009	DENCO	471766!	40028	CLARK	416921!	4004653	CUMMI	600394

! Industrial Size/Type * Minor Width Difference

NUMERICAL INTERCHANGE

Mfr. No.	Name	Zero Duplication or Recommended Industrial	Mfr. No.	Name	Zero Duplication or Recommended Industrial	Mfr. No.	Name	Zero Duplication or Recommended Industrial	Mfr. No.	Name	Zero Duplication or Recommended Industrial
400487	UNIVE	415187	400705	C-R	800705	400B3	C-R	415995!	40119	SPG	240119
400488	MICH	415187	40071	SPG	40071S	400BM228	C-R	416921!*	4011CG-13	IH	473228!
40049	C-R	415036*	40072	C-R	415036	400BM3	C-R	415995	40120	C-R	415041*
400499	UNIVE	415035!	40072	GARLK	471526!	400BM3	C-R	415995!	40120	NATL	471224
4005	STEM	HU005A	40075	MASTE	340413	400C3	C-R	415995	401200	C-R	801200
400500	C-R	800500	40075	TROS	450073	400C3	C-R	415995!	401201	C-R	801201
400500	MICH	415035	400750	C-R	800750	400C3	GW	415995!	401204	C-R	801204
400500	MICH	415035!	400751	C-R	800751	400C3	GW	415995!	401205	C-R	801205
400500D	OLIVE	204007=	4007535	GMC	JV1127=	400CMM3	C-R	415995	401218C91	IH	472015!
400501	C-R	800501	400754	C-R	800754	400CMM3	C-R	415995!	401218C92	IH	472015
400504	C-R	800504	400755	C-R	800755	400D550	CONE	5170	401219C91	IH	415379
400505	C-R	800505	40077	C-R	417507	400F224	C-R	416706!	401219C92	IH	3893V!
40051	C-R	415036	40078	C-R	417507	400F3	C-R	415995!	401219C92	IH	415379!
400512	UNIVE	417356!	4007B	JN-MN	418028	400FF3	C-R	45013S	40129	C-R	370036A
400512	UNIVE	455188	4007B	JN-MN	455137!	400G228	C-R	43086S	40129	C-R	370349A
400513	MICH	417356!	4007B391	WGEAR	450536	400G3	C-R	45013S	40129	C-R	380036A
400513	MICH	455188	4007B391	WGEAR	471535!	400HD3	C-R	45013S	4012X	SPG	4012
40052	C-R	415036	40080	C-R	417507	400M3-L	C-R	415995!	40130	C-R	370036A>
400525	MICH	417357	40080	C-R	417507!	400N230	C-R	416654	40130	C-R	370349A%
400525	MICH	455192!	400800	C-R	800800	400W22-M1	C-R	416921!	40130	C-R	380036A
40053	SPG	473213!	400801	C-R	800801	400W226	C-R	475384*	401300	C-R	801300
40053S	NATL	473213!	400804	C-R	800804	400W228	C-R	416921!	401301	C-R	801301
40055	SPG	43089S	4008049	ALLCH	J1929	400W230	C-R	416654!	401304	C-R	801304
400550	C-R	800550	400805	C-R	800805	400W230-M1	C-R	416654!	401305	C-R	801305
400550	MICH	415036	40081	GARLK	471472!	400W230-T8	C-R	416654!	40132SA	SPG	412920
400550	UNIVE	415036*	40082	C-R	417507	400W3	C-R	415995!	40133	AMC	473215!
400551	C-R	800551	40082	C-R	417507!	400W3-M1	C-R	415995!	40133	C-R	370036A>
400554	C-R	800554	40084	AMC	450040	400W500	CONE	5526	40133	C-R	370349A%
400555	C-R	800555	40084	C-R	417507	401000	C-R	801000	40133	C-R	380036A>
400575	MICH	415041	40084	C-R	417507!	40100050	IVECO	713104	40134	C-R	370036A>
400575	UNIVE	415041*	400842R91	IH	410737!	401001	C-R	801001	40134	C-R	370349A%
40059	SPG	40059S	40085	C-R	417507	40100110	IVECO	713091	40134	C-R	380036A>
40060	GARLK	471442!	40085	SPG	40085S	40100140	IVECO	713128	4013493	WABCO	456799=
400600	C-R	800600	400850	C-R	800850	40100350	FIAT	713046	40135	C-R	370036A>
400600	MICH	417509	400851	C-R	800851	401004	C-R	801004	40135	C-R	370349A%
400600	UNIVE	417509	400854	C-R	800854	40100460	IVECO	713089	40135	C-R	380036A>
400601	C-R	800601	400855	C-R	800855	40100480	IVECO	713135	40136	C-R	370036A>
400604	C-R	800604	400855C91	IH	370007A	401005	C-R	801005	40136	C-R	370349A%
400605	C-R	800605	40086	C-R	417507	40100670	IVECO	713111	40136	C-R	380036A>
40061S	SPG	6241S	40088	C-R	417507	40100790	IVECO	713116	40136	OLIVE	415001!
400625	MICH	417223	40089	C-R	417507=	40101	C-R	415041	40138	C-R	417509
4006253	EUCLD	417017=	4008999	GW	472439	40101	SPG	40101S	40139	C-R	370036A>
4006253	GMC	417017=	4008BX	SPG	1012	40101340	IVECO	713095	40139	C-R	370349A%
4006255	EUCLD	417607	4008BX	SPG	1012N	40101620	IVECO	713142	40139	C-R	380023A
4006255	GMC	417607	4008BX	SPG	45X62X8!	40101730	IVECO	713113	40139	C-R	380036A>
4006256	GMC	JV1808=	400900	C-R	800900	401024	GMC	5109	4014	STEM	HU014A
4006257	EUCLD	417115	400901	C-R	800901	401026	GMC	5123	40140	C-R	417509
4006257	GMC	417115	400904	C-R	800904	40103	TROS	6064	40140	SPG	471413
4006258	GMC	JV1759=	400905	C-R	800905	4010470	IVECO	713141	401400	C-R	801400
4006259	EUCLD	417016	40091	C-R	370065A	4010490	IVECO	713138	401401	C-R	801401
4006259	GMC	417114=	40091	C-R	370349A	40107	IRON	471270!	401402	C-R	801402
4006260	GMC	JV1760=	40091	C-R	380036A	4010784	GW	417501	401404	C-R	801404
4006261	GMC	417018=	40092	C-R	415041	40108	C-R	415041	401405	C-R	801405
4006263	EUCLD	416951	400927	CONTI	417191	40108	IRON	474254	401406	C-R	801406
4006263	GMC	416951	400927	CONTI	455165!	40108	SPICE	3543	40141	C-R	417509
4006264	GMC	JV1850=	400929	WAYNE	473467!	40108-1	SPICE	3543	40141	NATL	470954
40063	SPG	7886S	40094	SPG	40094S	40108-2	SPICE	3543	401418D	OLIVE	472560N
40064	SPG	471821!	400950	C-R	800950	40109	SPICE	330385	401418E	OLIVE	472560N
40064S	NATL	471821!	400951	C-R	800951	40109-3	SPICE	340835	401418E	WHITE	472560N
400650	C-R	800650	400954	C-R	800954	4010900	FIAT	222860	401440D	OLIVE	6590S
400651	C-R	800651	400955	C-R	800955	4010900	FIAT	28X47X7!	401440E	MINNM	6590S
400654	C-R	800654	400966D	OLIVE	254270	40110	C-R	415041	401440E	OLIVE	205009=
400655	C-R	800655	40097	SPG	40097S	401100	C-R	801100	401450R91	IH	450096H=
400659	C-R	710045	40098	TROS	473464!	401101	C-R	801101	401451R91	IH	450096H=
400667	RACIN	450188	40098	TROS	473464	4011035	WOOL	55301S	401452R91	IH	472185=
40067	TROS	40067S=	400A228	C-R	416921!*	401104	C-R	801104	401453R91	IH	472185=
4006B	JN-MN	416476!	400A3	C-R	415995!	401105	C-R	801105	40146	C-R	370023A
4007	STEM	HU007A	400AM3	C-R	415995!	40111	C-R	415041	40146	C-R	370036A
40070	SPG	472185!	400AMM3	C-R	415995!	40115616	TROS	6127	40146	C-R	370349A
400700	C-R	800700	400B224	C-R	416706*	40117	SPG	42421S	40146	C-R	380036A
400701	C-R	800701	400B228	C-R	416921!*	401179	ALLCH	472016	401468	CONTI	471442!
400704	C-R	800704	400B3	C-R	415995	401180	ALLCH	417134	401469	CONTI	471538!

! Industrial Size/Type *Minor Width Difference > Hub Mount % Spindle Mount
 = The U.S. customer service number is 877-4-TIMKEN. The Canadian customer service numbers are 800-565-4927 (English) and 800-565-0438 (French-Canadian).

Mfr. No.	Name	Zero Duplication or Recommended Industrial	Mfr. No.	Name	Zero Duplication or Recommended Industrial	Mfr. No.	Name	Zero Duplication or Recommended Industrial	Mfr. No.	Name	Zero Duplication or Recommended Industrial
40147	C-R	370036A	401995	C-R	801995	403006	C-R	803006	40427	GARLK	470954!
40147	C-R	380023A	401D2	WHITE	417134	40301	SPG	40301S	404294	GMC	2043
401470	CONTI	471267!	401HH101	DANA	4624N	40301XAR	SPG	40301S	40434Q6	C-R	6754S=
401471	CONTI	471652!	401HH101	DANA	4624V	40301XXR	SPG	40301S	40435	SPG	240435
401472	ALLCH	450173	401HH102	DANA	710008	40302	TROS	450274	40438	SPG	40438S
401472	CONTI	450173	401HH103	DANA	4624V	403066R91	IH	335924N	4043977	ALLCH	415035!
401500	C-R	801500	402000	C-R	802000	4030B	JN-MN	471192	4043977	ALLCH	415035
401501	C-R	801501	4020015	ALLCH	416888	4031	STEM	HU031A	40439770	ALLCH	415035
401502	C-R	801502	402002	C-R	802002	40316	SPG	40316S	40439770	ALLCH	415035!
401504	C-R	801504	402004	C-R	802004	4032450	CHRY	4250	4044	STEM	HU044A
401505	C-R	801505	402006	C-R	802006	403250	C-R	803250	40440	VIC	5MR1300
401506	C-R	801506	40201	GARLK	471466!	403252	C-R	803252	40446	GARLK	471554!
40151	AMC	450084!	40201	TROS	414045!	403254	C-R	803254	404489R91	IH	415025
40154	SPG	40154S	40202	CUSH	471571	403256	C-R	803256	404499	UNIVE	455134!*
4015601	EUCLD	415035	40202C	CUSH	471571	403284	GMC	9762S	404500	C-R	804500
4015602	EUCLD	416865	40210	C-R	370023A	4033	EATON	415988	404502	C-R	804502
40157	SPG	471760	40210+77801	C-R	370023A	403307	GMC	9912	404503	C-R	804503
40158	C-R	417223	40213	GARLK	471264!	40330807	TROS	6754S=	404504	C-R	804504
40160	C-R	417223	40217	SPG	471647	4033261	ALLCH	416865!	404506	C-R	804506
40160	SPG	471763	40218	AMC	481864	40337	SPG	40337S	404525	MICH	415142*
401600	C-R	801600	402200	C-R	802200	40350	C-R	455037	404525	UNIVE	415142*
401601	C-R	801601	402202	C-R	802202	403500	C-R	803500	404550	MICH	417512
401602	C-R	801602	402204	C-R	802204	403502	C-R	803502	404550	UNIVE	417512*
401604	C-R	801604	402206	C-R	802206	403504	C-R	803504	404575	MICH	415043
401605	C-R	801605	4022497	CUMMI	5741	403506	C-R	803506	404575	UNIVE	415043*
401606	C-R	801606	40225	C-R	102X125X12	40351	SPG	43071S	40458	GARLK	471567!
40161	C-R	417223	40225	GARLK	471255!	4035756	EUCLD	417608	4045D	SHEP	411253!
40162	SPG	471765	40230	SPG	471689	4035756	GW	417608	404600	MICH	455203
40162C29	IH	450084!	40236	ALLCH	415196!	4035RBR	SPG	712937	404600	UNIVE	455203
40163	SPG	471766	40237	GARLK	471564	40360	C-R	6864S	404625	MICH	455056
40166	GMC	416654!	40244	SPG	471787	40360	SPG	40360S!	404625	UNIVE	455056*
40166	TROS	224045	40245	C-R	102X130X13	4036046	ALLCH	417360	40463-4-1X	SPICE	39930
40166	TROS	40X62X12!	4024561	ALLCH	473239	403689	WHITE	473473	40463-6-1X	SPICE	39920
40169	SPG	40169S	4024562	ALLCH	456641	40369	SPG	40369S	404631	SPICE	330749V
401700	C-R	801700	402477	JEFF	472397!	403692D	OLIVE	204002	40488	GARLK	471643!
401701	C-R	801701	40248	C-R	102X130X13!	4036RBR	SPG	722250	4048B	JN-MN	416666
401702	C-R	801702	402480	JEFF	415035!	40370	SPG	40370S	4049266	CHRY	5650
401704	C-R	801704	402480	JEFF	415035	403750	C-R	803750	40492SA	TRSCM	345035
401705	C-R	801705	4024B	JN-MN	415482	403752	C-R	803752	40492SA	TRSCM	415035
401706	C-R	801706	402500	C-R	802500	403754	C-R	803754	40492SA	TRSCM	475845!
40175	AMC	473367	402502	C-R	802502	403756	C-R	803756	40494	SPG	40494S
40175	AMC	473367!	402504	C-R	802504	40379300	FIAT	713073	404941	O-M	471737
401774	WAYNE	413247!	402506	C-R	802506	4037B	JN-MN	417541*	40494TA	TRSCM	415035!
401775	WAYNE	416654!	402525	MICH	55193* =	4037RBR	SPG	712625	404VB7	MARI	415036
401783	JEFF	415449!	402525	UNIVE	55193* =	40385S	NATL	330385!	405000	C-R	805000
401800	C-R	801800	402550	MICH	455037	40389	SPG	40389S	405002	C-R	805002
401801	C-R	801801	402550	UNIVE	455037*	403899	GMC	8705S	405003	C-R	805003
401802	C-R	801802	402575	MICH	455024	4038RBR	SPG	712375	405004	C-R	805004
401804	C-R	801804	40259	GEM	450593!	40395S	NATL	472354	4050229	ALLCH	470088
401805	C-R	801805	40260	TROS	1012	40398	SPG	471267!	4050298	ALLCH	410694!
401806	C-R	801806	40260	TROS	1012N	403VB7	MARI	415035!	4050B	JN-MN	473225!*
4018068	GMC	415379	40263	TROS	415437	403VB7	MARI	415035	4050D	GOODM	416865!
4018069	GMC	412473!	40267	MANT	416229	404	UNIVE	416891!*	4050LPD	JN-MN	473225!
4018377	GMC	415227!	4026706	ALLCH	J1081	40400	GMC	470088	4051	NATL	5697
40184	NATL	471571	402726	ALLCH	411253!	40400	NATL	42352S	405103	C-R	805103
401872R91	IH	295113=	402750	C-R	802750	40400	SPICE	8312	40519	SPG	442380
4019	STEM	HU019A	402752	C-R	802752	404000	C-R	804000	4051B	JN-MN	415090*
401900	C-R	801900	402754	C-R	802754	404002	C-R	804002	40520	SPG	40520S
401901	C-R	801901	402756	C-R	802756	404004	C-R	804004	405203	C-R	805203
401902	C-R	801902	40285	SPICE	6358	404006	C-R	804006	405225	H-S	43086S
401904	C-R	801904	402856R91	IH	416125!	40402	NATL	42763	4052468	FIAT	224220
401905	C-R	801905	4028862	ALLCH	7568	40402	WMG	42763	4052468	FIAT	42X56X7!
401905R91	IH	417509	4028922	ALLCH	7568	40403	DANA	710065	4052468	FIAT	494117
401906	C-R	801906	4028992	ALLCH	J1828=	40403	SPICE	710065	40524SA	TRSCM	455192!
40191	SPICE	473814	4028OS	JN-MN	415984!	404031	SPICE	710065	405285	JEFF	417600
40191	VIC	473814	4029399	ALLCH	417360	40408	ALLCH	470530!	405297	JEFF	472492!
401914R91	IH	412943	4029502	ALLCH	417360	4040H20	JA-MI	416288!	4052D	GOODM	417541
4019164	EUCLD	9555S	4029556	ALLCH	J1828=	4040H20	JAE	416288!	40530	C-R	55193* =
401918	GMC	9762S	402Y128	C-R	6127	40410	SPG	40410S	405303	C-R	805303
401990	C-R	801990	403000	C-R	803000	404116	GMC	8705S	405366C91	IH	417487
401991	C-R	801991	403002	C-R	803002	40416	NATL	351487	405366C91	IH	417487!
401994	C-R	801994	403004	C-R	803004	40420	ALLCH	415001!	405367C91	IH	417484!

! Industrial Size/Type * Minor Width Difference

= The U.S. customer service number is 877-4-TIMKEN. The Canadian customer service numbers are 800-565-4927 (English) and 800-565-0438 (French-Canadian).

NUMERICAL INTERCHANGE

Mfr. No.	Name	Zero Duplication or Recommended Industrial	Mfr. No.	Name	Zero Duplication or Recommended Industrial	Mfr. No.	Name	Zero Duplication or Recommended Industrial	Mfr. No.	Name	Zero Duplication or Recommended Industrial
405368C91 IH		415960	40638 CASE		473229	40760 TROS		60X80X8!	409500 C-R		809500
4053B JN-MN		417344!	40639 CASE		473228	407636700 REINZ		25598	409503 C-R		809503
40540 C-R		55193*	40640 CASE		417344!	40769 SPG		40769S	40950S JN-MN		471737*
405403 C-R		805403	406403 C-R		806403	40771S NATL		340771	40965 HYST		472157!
4054B JN-MN		417181!*	40641 CASE		416865!	40773 SPICE		470672	40965 HYST		472157
405500 C-R		805500	40642 CASE		471224!	407760 EATON		370094A	4097 STEM		HU007A
405502 C-R		805502	40646 CASE		200110	407803 C-R		807803	409704 WHITE		417488!
405503 C-R		805503	406464 CATER		473196=	407810 EVERS		204035	40973 SPG		40973S
405504 C-R		805504	406500 C-R		806500	40782S SPG		6815	4097B JN-MN		417191
4055358 FIAT		1077=	406503 C-R		806503	40787 SPG		340787	4097B JN-MN		455165!
4055358 FIAT		223535	406525 MICH		455194*	40787S NATL		340787	4098B JN-MN		417525*
40554 SPICE		4244	406525 UNIVE		455194*	4078S SPG		710650	409910 CATER		471567!
40555S NATL		40555	406550 MICH		417513	40793 SPICE		5778	409RC SUL		416892!
40556 SPG		471821!	406550 UNIVE		417513*	40793-2 DANA		5778	409VB7 MARI		417536
40558S SPG		240435	406575 MICH		417514	4079B JN-MN		471231!	40X50X8AN(35) ISP		40X50X8
40560 TROS		1163=	406575 UNIVE		417514*	4079T2 WHITE		417316!	40X52X7SC TRSCM		224010
405603 C-R		805603	40658 CASE		43089S	407VB7 MARI		415058	40X52X7SC TRSCM		40X52X7!
40564SA TRSCM		417507!	40659 CASE		472439	408 UNIVE		416892!	40X52X7TC TRSCM		40X52X7!
40566 NATL		40566S	4065B JN-MN		455121*	408000 C-R		808000	40X54X55TB TRSCM		1213N
40566 TROS		40566S	406600 MICH		455024	408003 C-R		808003	40X54X6SC TRSCM		40X54X6!
40566 WMG		40566S	406600 UNIVE		417515	408010A HARWA		40X80X10	40X54X6TC TRSCM		40X54X6!
405661 ALLCH		416706	406625 MICH		417516	4080B JN-MN		471646!	40X55X6SC TRSCM		40X55X6
40568 SPG		40568S	406625 UNIVE		417516	408239 ALLCH		470530!	40X55X6TC TRSCM		40X55X6
40570 SPICE		710204	406651R91 IH		470625!	40825613 TROS		417134	40X55X7 NATL		224020
4057006 CHRY		3173	406660 US-EL		471466	40830009 TROS		417351!	40X55X7 NATL		3392
4057006 CHRY		710928	406748 GMC		225230	40830409 TROS		55155=	40X55X7 NATL		40X55X8!
405703 C-R		805703	406748 GMC		52X72X8!	40830809 TROS		417621!	40X55X8SB TRSCM		473677
40576 SPG		40576S	406752 GMC		224520	40830811 TROS		5578	40X55X8SC TRSCM		40X55X8!
4057B4 WGEAR		471651	406752 GMC		45X60X10!	408342 CATER		471760	40X55X8TC TRSCM		40X55X8!
4057B5 WGEAR		416664!	40678 GARLK		471267!	408450 CATER		471224!	40X56X10SC TRSCM		40X56X10
405803 C-R		805803	406812A HARWA		40X68X12	408500 C-R		808500	40X56X10TC TRSCM		40X56X10
4058047 CHRY		2506	40684 SPICE		8314	408503 C-R		808503	40X56X7ASN ISP		40X56X7
40590 C-R		455037	40684-1 SPICE		8314	408525 MICH		472157!	40X57X10SC TRSCM		40X57X10
405903 C-R		805903	40687 GARLK		471570!	408525 MICH		472157	40X57X10TC TRSCM		40X57X10
405VB7 MARI		416891!	406898 EATON		416865	408525 UNIVE		416556!	40X58X10 NATL		2000
40600 CASE		473214	4068B JN-MN		416892!	408525 UNIVE		472157	40X58X10 NATL		224235
406000 C-R		806000	406902R91 IH		471341!	408537 GMC		9912	40X58X10 NATL		42X58X7!
406002 C-R		806002	406903 C-R		806903	408537 UNIVE		415196!*	40X58X10SC TRSCM		40X58X10!
406003 C-R		806003	40699A C-R		6846S=	408538 MICH		415196!	40X58X10TC TRSCM		40X58X10!
406003 US-EL		481537	4069B JN-MN		471272!	408550 MICH		416891!	40X58X8AN ISP		40X58X8
406004 C-R		806004	406VB7 MARI		415045!	408550 UNIVE		416891!*	40X60X10SC TRSCM		40X60X10!
40601 CASE		417486	406W550 CONE		5170	408575 MICH		415045!	40X60X10TC TRSCM		40X60X10!
40602 CASE		471795	406W600 CONE		5537	408575 UNIVE		415045!*	40X60X9 ISP		44X60X7
40603 CASE		473228	407000 C-R		807000	408600 MICH		416137	40X62X11 NATL		224045
40604DM IH		417196!	407003 C-R		807003	408600 UNIVE		416137	40X62X12SC TRSCM		40X62X12
40607 CASE		471795	40701 TROS		5419	408605 ALLCH		200912=	40X62X12TC TRSCM		40X62X12
406078 GMC		9912	407011 BUC-E		474278!	408612 UNIVE		417518	40X62X7AN(35) ISP		40X62X7
406085 BUC-E		412871!	407039 FALKC		415991	40861A C-R		8996S=	40X65X10SC TRSCM		40X65X10
406089 GMC		8940S	407039 FALKC		455146!	40861S TROS		5976S	40X65X10TC TRSCM		40X65X10
40610 CASE		415991	407071 BUC-E		450400	408625 MICH		415058	40X68X12 SIMRT		40X68X12
40610 CASE		415991!	40709 SPICE		4250	408638 H-S		412027	40X68X12SC TRSCM		40X68X12
406103 C-R		806103	4070B JN-MN		418028	408662 BUC-E		417349	40X68X12TC TRSCM		40X68X12
40613 CASE		471466!	4070B JN-MN		455137!	4086649 CHRY		710005	40X68X8(35) ISP		40X68X8
40614 CASE		471689!	40710 SPICE		710043	4087B JN-MN		473016!	40X70X8SC TRSCM		40X70X8
40615 CASE		471424!	40712 DANA		722109	40880D IH		415379	40X70X8TC TRSCM		40X70X8
40616 CASE		472299	407135 CATER		417211!	408900 RACIN		471224!	40X72X7 FORSH		40X72X7
40619 CASE		470898	407136 CATER		415991	4089297 CHRY		710044	40X72X7 SIMRT		40X72X7
4061919 ALLCH		472164!	407136 CATER		455146!	408A15204.5 TROS		6930	40X72X7SC TRSCM		40X72X7
406203 C-R		806203	40715 GARLK		471646!	408VB7 MARI		415351!	40X72X7TC TRSCM		40X72X7
40622 CASE		455151	4071B JN-MN		473245!	409000 C-R		809000	40X75X8AS ISP		40X75X8
40627 SPG		40627S=	407207A HARWA		40X72X7	409003 C-R		809003	40X78X10SC TRSCM		40X78X10
406279 CATER		471689!	407250 C-R		807250	409145 WHITE		415060	40X78X10TC TRSCM		40X78X10
406295R2 IH		JV1673=	407288 BUC-E		412040	409145 WHITE		455060	40X78X8SC TRSCM		40X78X8!
40629S SPG		481537	40730 GARLK		470590	40920 TROS		6098=	40X78X8TC TRSCM		40X78X8!
406303 C-R		806303	407407 BUC-E		471341!	409208 GMC		9049	40X80X10 FORSH		40X80X10
40633 AMC		471141	4075 STEM		H075	409208 GMC		9049N	40X80X10 SIMRT		40X80X10
40633 CASE		471141	407500 C-R		807500	40922 TROS		472015!	40X80X10SC TRSCM		40X80X10
40634 CASE		471835!	407503 C-R		807503	409235 GMC		5778	40X80X10TC TRSCM		40X80X10
40635 CASE		415498	407543 ALLCH		472164!	4093S SPG		5452	40X90X8AN(35) ISP		40X90X8
40635 HYST		415498	407544 ALLCH		40494S	409456 BENDI		340413	410000 C-R		810000
40635 VIC		9613S	4075HG SPG		714075	4094810 CHRY		228480	410003 C-R		810003
40637 CASE		470954!	40760 TROS		226020	4094829 CHRY		474288	410005 SPG		471526!

! Industrial Size/Type *Minor Width Difference

=The U.S. customer service number is 877-4-TIMKEN. The Canadian customer service numbers are 800-565-4927 (English) and 800-565-0438 (French-Canadian).

Mfr. No.	Name	Zero Duplication or Recommended Industrial	Mfr. No.	Name	Zero Duplication or Recommended Industrial	Mfr. No.	Name	Zero Duplication or Recommended Industrial	Mfr. No.	Name	Zero Duplication or Recommended Industrial
410027	NATL	471554!	410359	SPG	473448	4111171	FIAT	42X58X7!	411944	NATL	472924
41004	GARLK	471224!	410360	SPG	471870!	41113	GARLK	471652	411949	SPG	473204
41004	TROS	330385!	410365	SPG	470898	411138	SPG	471138!	41195	C-R	415142*
410040	SPG	450040	410389	SPG	472492!	41117	GARLK	471692!	41195YA	AVCO	240470
410049	NATL	471750!	410394	SPG	473227!	4111S	SPG	711200	41198	C-R	415142*
410055	SPG	473215!	4103B	JN-MN	455584	4112001	CHRY	9316	411A30805	TROS	8976S
410059	NATL	470059	410410	NATL	471424!	411234N	SPG	473473	411EM38	C-R	455566
410060V	C-R	452222	410424	SPG	471730	411245	NATL	411245	411VB7	MARI	416167!
410066	NATL	473367	410433	NATL	471138!	411246	NATL	471737	412	UNIVE	417247!
410066	SPG	473367	410438	SPG	472299	41125	C-R	455134!	412000	C-R	812000
410067	SPG	473228!	410441	NATL	471341!	411251	TW-CO	412119	412003	C-R	812003
410069	SPG	473232!	41048	GARLK	471733	411252	TW-CO	473231!	412018	SPG	472018
410070	SPG	472185!	410496	NATL	410496	411253	NATL	411253	412020	SPG	472020
410071	NATL	472439	4104B	JN-MN	481163!*	41126	C-R	455134* =	412028SSR	SPG	412028
410076	NATL	470334!	410500	C-R	810500	41126702CA	RELEE	415559	412065	WHITE	410694!
41008	TROS	1110	410520X54	SPG	471272	411271	SPG	471271!	412066	WHITE	416921!
410082	SPG	473238!	410522	SPG	472258!	411272	SPG	471272!	412119	NATL	412119
410083	NATL	472924!	410530	SPG	470530!	411275	WMG	476470!	412178	CATER	471652
410083	WMG	472924!	410537	NATL	5711	411275	WMG	476470	412179	CATER	472258!
410095	SPG	473464	410537SSR	SPG	5711	411275R	PAARS	476470!	412180	CATER	471612
410099	NATL	411253!	4105388	CHRY	3655	41128	GARLK	470712!	412181	CATER	472649
4100B	JN-MN	415142*	4105389	CHRY	3655	4112S	SPG	711000	412187	CATER	472164!
410101	NATL	412119!	4105395	CHRY	3655	41130	C-R	455134!	41220	SPICE	473227
410101SS0	SPG	412119	4105396	CHRY	4040N	41130SA	SPG	441130	41220	VIC	473227!
410102	NATL	410102	4105397	CHRY	713655	411324	SPG	471255!	412217	SPG	410059
410115	SPG	473467	410543	SPG	474272	411330N	NATL	411330	412217	SPG	470380!
410119	NATL	471442	410550	MICH	455197N	411330SSR	SPG	411330!	412230	C-R	417486
410120	NATL	471224!	410550	UNIVE	455197N*	411336	WHITE	472164!	412230M1	C-R	417486
41013	SPG	41013S	410552	NATL	470565!	411336A	WHITE	472164!	41224	GARLK	471413!
410132	NATL	412920!	410553	NATL	471224	411337	NATL	471337	41224S	WMG	471224
410136	NATL	470625!	410554S	NATL	40154S	411376	NATL	411376 =	41228	C-R	417134
410141	NATL	470954	410565	SPG	470565!	41138	GARLK	471763	4122B	JN-MN	415085!
410153	SPG	472287!	410574	SPG	413246	411394	NATL	411394	4122B	JN-MN	456648
410154	NATL	473234!	410575	MICH	417520	4113B	JN-MN	471762!	4123	C-R	417351!
410160	SPG	471763	410575	UNIVE	417520*	4113S	SPG	710800	4123	MINMA	417351!
410163	NATL	471766	410600	MICH	416144	411414	SPG	412473!	412310	C-R	455500*
410165	SPG	471801!	410600	UNIVE	416144	4114S	SPG	710925	41232	C-R	55155 =
410169	SPG	473214!	410603	C-R	810603	41150	C-R	455134!	41232	GARLK	471737
410183	SPG	472179	410605	SPG	470605!	411500	C-R	811500	41234	C-R	417621!
410194	SPG	473010!	410614	SPG	472636!	411501315	VW	1969	41234M1	C-R	417621!
410194VGR	SPG	473010	410625	MICH	417238	411501315	VW	48X63X9!	41238	C-R	455566
4101BG	SPG	5109	410680	SPG	471570!	411509RA	SPG	411509N*	41238M1	C-R	455566
41020	GARLK	471649!	410694	NATL	410694	41151	C-R	455134!	4123M1	C-R	417351!
410219	SPG	471649!	410719	SPG	471984	41152	C-R	5526	41240	C-R	415142*
410230	NATL	471689!	410737	NATL	410737!	41155	C-R	455134!	41240	TROS	6077
410236	SPG	470712!	41075	SPG	41075S	41156	C-R	455134!	41241	TROS	455536
410241	SPG	471785!	410755	SPG	473230!	411627-02-BD	RELEE	471272!	41246	GARLK	471766!
410244	SPG	471787!	41079	HYST	470954!	411627-02-BH	RELEE	471138!	412473	NATL	412473
410261	SPG	473466	410791VGR	SPG	471466	411627-02-CA	RELEE	415559	412500	C-R	812500
410265	SPG	473235!	4107B	JN-MN	416921!	411627-02-CF	RELEE	415138 =	41255	C-R	415142*
41028	GARLK	471689!	4108542	FIAT	2000	411627-02-CJ	RELEE	416865!	412550	MICH	415196!
410298	WMG	473239!	4108542	FIAT	224235	411627-02-DE	RELEE	473228!	412550	UNIVE	415196!*
4103-5000-545227	MACK	717005	4108542	FIAT	42X58X7!	41162702BJ	RELEE	415995!	41257	NATL	3677
410301	SPG	472397!	410855	TW-CO	470625!	41162702CE	RELEE	416888!	412575	MICH	415047
410303	SPG	472015!	410857	TW-CO	40468	41162702CE	RELEE	475200	412575	UNIVE	415047*
410308	NATL	410308	410867	SPG	470898	41162702CL	RELEE	416107!	412600	MICH	416149
410308	NATL	473468	410895	SPG	471554!	41162702CL	RELEE	475638	412600	UNIVE	416149
410309	SPG	471391!	410987	NATL	410987	41162702CR	RELEE	416664!	41262	GARLK	471795
410310	SPG	473242	410987	NATL	450686	41162702CX	RELEE	470898	412625	MICH	415060
410312	SPG	472016!	410989	NATL	470989	4116366	CHRY	5131	412625	MICH	455060
410312L	C-R	415442	410989SSR	BRWNG	470989	4116366AB	CHRY	5131	41263	IH	415551
410312L	C-R	55442	4109B	JN-MN	417349	411656	SPG	471643!	412636	SPG	472636!
410312N	WMG	472016	410AM3	C-R	417351!	411659	SPG	471646!	41264	IH	417254
410314	SPG	473243	410VB7	MARI	415066	4116806	FIAT	226480	41265	C-R	417512*
410322	SPG	412040	411000	C-R	811000	411698	SPG	471684!	412669C91	IH	415483
410330	SPG	470605!	411003	C-R	811003	41170	C-R	417511*	4126893	CHRY	3677
41035	SPICE	455194	411035	WOOL	415072	411706	SPG	471692!	412699C91	IH	415483
410350	SPG	413247!	4110CAR	SPG	5123	411708	SPG	473203	41270	C-R	417512
41035000470837	MACK 120X140X13!		411100	SPG	471652	41180	C-R	417511	41271	C-R	417512
41035000470837	MACK	717004	4111035	WOOL	415447	41185	C-R	415142*	4127B	JN-MN	417073
410352	NATL	472164!	4111171	FIAT	2000	4118B	JN-MN	417603!	4127RA	SPG	4127
410358	NATL	473231!	4111171	FIAT	224235	41190D	IH	471224!	4128	SKIL	471554

! Industrial Size/Type * Minor Width Difference

= The U.S. customer service number is 877-4-TIMKEN. The Canadian customer service numbers are 800-565-4927 (English) and 800-565-0438 (French-Canadian).

NUMERICAL INTERCHANGE

Mfr. No.	Name	Zero Duplication or Recommended Industrial	Mfr. No.	Name	Zero Duplication or Recommended Industrial	Mfr. No.	Name	Zero Duplication or Recommended Industrial	Mfr. No.	Name	Zero Duplication or Recommended Industrial
41281S	NATL	471281!	4138B	JN-MN	471532 *	41494SA	TRSCM	455134!	415248	SPG	412861
41286	C-R	415043	4139B	JN-MN	473471 *	414958	WHITE	472287!	415259	NATL	415259=
41287	C-R	415043*	413VB7	MARI	415196!	41498	GARLK	473228!	415265	SPG	456305
412871	NATL	412871	413W126-L	C-R	6930*	4149B	JN-MN	471224!	415269	SPG	417502
4128B	JN-MN	413469!*	414	UNIVE	417267	414M228-L	C-R	417134	415270	SPG	417605
412920	NATL	412920=	414000	C-R	814000	414VB7	MARI	416888!	415271	SPG	415725!
412A34	C-R	417621!	414003	C-R	814003	414W228-M1	C-R	417134*	415273	SPG	417254
412B34	C-R	5578	41401	C-R	231052	415000	C-R	815000	415281	NATL	417349
412BM34-T8	C-R	5578	41403	CHRY5	473450!	415001	NATL	415001	415281N	WMG	417349!
412F3	C-R	417351!	414072	SPG	226285	415003	C-R	815003	415294	NATL	415294
412G316	C-R	45525S	414072	SPG	62X85X8!	415006	NATL	417344!	415299	SPG	417600
412HD316	C-R	45525S	414072SC	SPG	226285	415011	NATL	416921!	4152A	WAYNE	472015!
412K1	WHITE	450400	41408924	NOK	110X150X12!	415012VGR	SPG	416654!	415303	NATL	415303=
412RC	SUL	471567!	41408924	NOK	110X150X15	415018	SPG	476470!	415315	SPG	415984!
412VB7	MARI	417357	4140B	JN-MN	471413!*	415018	SPG	476470	415315RA	SPG	415984!
412VB7	MARI	455192!	41410	C-R	105X125X13	415027	NATL	415027	415319RR	SPG	417495
412W126-L	C-R	6930*	41413S	NATL	471413	415027HC9	SPG	415027	415322VGR	SPG	417484
412W228	C-R	417134	41413S	SPG	471413	415029	SPG	416125!	415351	NATL	370020A
412W228M1	C-R	417134	41425	C-R	105X130X12!	415029BG	SPG	416125!	415351	NATL	415351
412W230	C-R	417486	41425	C-R	231053	415034	NATL	415034	415354	NATL	416404!
412W230-M1	C-R	417486*	41426	C-R	105X130X12V!	415034VA	SPG	415034V	415355	SPG	417158!
412W3	C-R	417351!	41426	C-R	712004	415035	NATL	415035!	415363	SPG	417362!
412W3-M1	C-R	417351!	414268	NATL	414268=	415040	SPG	416891!	415364	SPG	416664!
412W310	C-R	455500	41430	C-R	105X130X12!	415045	NATL	415045	415368	SPG	415483
412W312	C-R	415442	41432	OLIVE	415001!	415049	SPG	416892!	415377	SPG	417541
412W312	C-R	55442	41433	C-R	105X135X12	415053	NATL	415138!	415379	NATL	415379=
412W32	C-R	55155=	41436D	IH	417211!	415053	WMG	415138!	415436SSR	SPG	415436
412W34	C-R	417621!	4143D5	WHITE	416500	415062	SPG	415351!	415437	NATL	415437
412W34-M1	C-R	417621!	41440	C-R	105X135X12!	415068	NATL	417269!	415437	NATL	475437=
413000	C-R	813000	41443	C-R	105X135X12!*	41507	ALLCH	415035!	415442	NATL	55442
413003	C-R	813003	414467-C91	IH	370037A	41507	ALLCH	415035	415449	NATL	415449!
41305	C-R	455203*	414467-C91	IH	370338A	415070	NATL	416865!	415458	NATL	415458=
41306	C-R	455203	414500	C-R	814500	415073	SPG	416107!	415469	WHITE	415458!
41308	AVCO	472311!	414503	C-R	814503	415084	SPG	416239!	415479RA	SPG	417350!
4130B	JN-MN	470334!	41452	HYST	472016	415084R	ROCKW	416239=	415483	NATL	415483
41315	MALL	350974!	41453	HYST	472409!	415085	NATL	456648	415489	NATL	417603!
4131CAR	SPG	4131	41454	GARLK	473227!	415086RA	SPG	417487	41550	C-R	9128S
413244	SPG	473244!	41454	HYST	415074	415088	NATL	415088	415500	C-R	815500
413245	SPG	473245!	41455	C-R	105X140X12	415094	SPG	416444	415503	C-R	815503
413246N	NATL	413246!	41455	HYST	417172	415095	NATL	416271!	41555	C-R	2064
413247	NATL	413247=	41455	SPICE	5778V	4150N	WMG	710096	415551VGR	SPG	415551
413248	NATL	413248=	41455-1	SPICE	5778V	415104RA	SPG	415645!	41560	TROS	473463
413248	NATL	413248=	414550	MICH	55199=	415104RA	SPG	455104	41561S	TROS	473435
41325	C-R	455056	414550	UNIVE	55199*=	415105	NATL	415938	415627SSR	SPG	415627
41328	C-R	55268	41456	C-R	105X140X12!	415107	SPG	416666	415645	NATL	455104
4133B	JN-MN	457874	41456	HYST	473475	415111BX	SPG	416229	41566	GARLK	473230!
413469	NATL	413469!	414575	MICH	417525	415115	NATL	416077	415697	NATL	415697=
413470	NATL	413470=	414575	UNIVE	417525*	415134N	SPG	455134	415697	NATL	455547
41348	GARLK	472258!	414598	GMC	1187	415138	NATL	415138=	41572S	NATL	43076S
41350	C-R	455203	414598	GMC	47X68X10!	415146N	WMG	415991	41576	GARLK	473231!
413500	C-R	813500	41460	WAUKE	471785!	415146N	WMG	415991!	41579	SPICE	474278
413503	C-R	813503	414600	MICH	417526	415149	SPG	417343!	415857	NATL	415857
41351	MALL	481644	414600	UNIVE	417526	415154	SPG	417351!	415861C91	IH	412473
413536	H-S	412119!	41460A	WAUKE	471785!	415156	SPG	417621!	4159	WAYNE	476838!
413539	H-S	470334!	41462	GARLK	470625!	415162	SPG	417181!	41590	GARLK	473010!
413561	H-S	416664!	414625	MICH	415351!	415164	SPG	412473!	415915C91	IH	712625
413577	H-S	473467	4146908	FIAT	1174	415165	SPG	417191	415937	NATL	415937=
4136	TEKNI	471649!	4146908	FIAT	38X52X8.5!	415172	SPG	416332!	415953	NATL	415035!
41360	GARLK	471192	4146912	FIAT	224220	415177	SPG	415379	415958	NATL	415958
413619	WHITE	415351!	4146912	FIAT	42X56X7!	415192	SPG	417357	415960	NATL	415960!
41368	GARLK	473214!	4146912	FIAT	494117	415195	SPG	416556!	415972	SPG	415988
4137283	CHRY5	9316	4146916	FIAT	224040	415195	SPG	472157	41598	GARLK	473232!
4137314	CHRY5	710067	4146916	FIAT	40X60X10!	415196	NATL	475196=	415983N	NATL	415983
4137426	CHRY5	8835S	414692	WHITE	412473!	415198	SPG	416380!	415983SSR	SPG	415983
413752C91	IH	415027	41470	C-R	105X145X12	4151R	SPG	710160	415983SSR	SPG	415983N!
413753C1	IH	415138!	41472	GARLK	470380!	415200	NATL	416888!	415983VGR	SPG	415983V
413753C91	IH	415138!	41475	C-R	105X160X15	415209	SPG	416154!	415983VGR	SPG	713750
4137744	CHRY5	473814	41484	VICK	6465	415213	SPG	417247!	415984	NATL	415984=
4137765	CHRY5	722108	414858	WHITE	472287!	415227	NATL	417756	415991	NATL	415146!
4137766	CHRY5	4250	4148B	JN-MN	411253!	4152319	FIAT	222860	415991	NATL	415991
41378	GARLK	473215!	4148BJO	SPG	4148	4152319	FIAT	28X47X7!	415991	NATL	455146
413799	SPG	1950	41492	GARLK	473228!	415234	NATL	415234	415991	SPG	415991

! Industrial Size/Type * Minor Width Difference

= The U.S. customer service number is 877-4-TIMKEN. The Canadian customer service numbers are 800-565-4927 (English) and 800-565-0438 (French-Canadian).

Mfr. No.	Name	Zero Duplication or Recommended Industrial	Mfr. No.	Name	Zero Duplication or Recommended Industrial	Mfr. No.	Name	Zero Duplication or Recommended Industrial	Mfr. No.	Name	Zero Duplication or Recommended Industrial
415991	SPG	415991!	416500	SSR SPG	416500!	41737	HYST	415085!	418500	C-R	818500
415991	SSR SPG	415991	416503	C-R	816503	417374	SPG	417606	418503	C-R	818503
415991	VGR SPG	415991	416550	MICH	416888!	4173789	CHRYS	3459	418553	TW-CO	5405
415995	NATL	415995!	416550	UNIVE	416888!	41738	HYST	413478	418575	MICH	417533
415995	V NATL	415995!	416563	MICH	416153!	417433	NATL	417433	418575	UNIVE	417533*
4159A	WAYNE	476838!	416575	MICH	416892!	4174631	SPICE	470328	4185B	JN-MN	415988*
4159B	JN-MN	481163!*	416575	UNIVE	416892!*	4174631	SPICE	481213!	418600	MICH	417534
415VB7	MARI	416154!	416600	MICH	416154!	4174632	SPICE	473231	418600	UNIVE	417534
416000	C-R	816000	416600	UNIVE	416154!	4174633	SPICE	471529	4186220	CHRYS	3476
416003	C-R	816003	416624	NATL	416624=	417480	NATL	417480	418625	MICH	457585
416011	NATL	417621	416625	MICH	415351!	417483	SSR SPG	415007	41862D	IH	417351!
416011	HAR WMG	5509	416638	C91 IH	710021	417484N	NATL	417484!	41869	GMC	415991
416029	NATL	416029	416654	NATL	416654	417487	NATL	417487!	41869	GMC	455146!
416029	SSR SPG	416029	416664	NATL	416664	417488	NATL	417488	41874	C-R	417515
416029	SSR SPG	416029N!	416706	NATL	416706	417489	SSR SPG	415088	41875	C-R	417515
41605	VIC	5M406=	416738	NATL	450096	41750	C-R	415295	41876	C-R	417515
416055	SPG	415683	41675F	VIC	5M406=	417500	C-R	817500	418772	WHITE	450593!
416107	NATL	455073	4167735	CHRYS	472572	417500	VGR SPG	417500V	4187B	JN-MN	471267!
416107	NATL	475638	4167917	CHRYS	482163!	417503	C-R	817503	41888	VIC	416888!
416135	NATL	476135=	4167929	CHRYS	3173	417507	NATL	417507	41899	C-R	417516
416153	NATL	416153	4167929	CHRYS	710928	41751	C-R	415295	418E-71	IH	416153!
416154	NATL	416154	4167930	CHRYS	472572	417516	VGR SPG	417516V	418HA3-L	C-R	7338N
416167	NATL	416167	41682	VIC	5M445	417537	CATER	470898	418VB7	MARI	473225!
416176	SPG	417544	416865	NATL	416865	417546	NATL	417546	41900	C-R	417516
416190	SPG	417361	416888	NATL	355200	417549	NATL	417549=	419000	C-R	819000
4161B	JN-MN	416339	416888	NATL	416888	417554	NATL	417554=	419003	C-R	819003
4161B	JN-MN	455031!	416892	NATL	416892=	417555	NATL	415487	419032	C91 IH	470954
4162	O-M	471442!	4168B	JN-MN	327303!	417598	VGR SPG	417598	4191B	JN-MN	472319*
416219	SPG	417365	4168LUP	JN-MN	327303!	4175BX	SPG	4175	4193LPD	JN-MN	473439!
41623208	TROS	355732	4169	SKIL	240119	4175BXO	SPG	4175	4194B	JN-MN	472924!
416239	NATL	416239=	41690	GARLK	473237!	417602	NATL	417601	41950	C-R	455625=
416239	NATL	416239	416919N	NATL	416919	417603	NATL	417603=	419500	C-R	819500
41624810	TROS	416282	416919	SSR SPG	416919!	41761	C-R	455194*	419503	C-R	819503
41624812	TROS	416282	416919	SSR SPG	416919	417621	NATL	417621	41962	TROS	7107A=
41625207.5	TROS	411348!	416921	NATL	416921=	4177	EATON	416239!	4197B	JN-MN	417780*
416270	SSR SPG	416270	41698	VIC	722109	41771	C-R	455194*	41999	VIC	472636!
416273	NATL	416273	416VB7	MARI	417267	41772	C-R	455194*	419990	C-R	819990
416273	NATL	416273=	417000	C-R	817000	41777	SPICE	710304	4199B	JN-MN	473437
416285	SSR SPG	416285	417003	C-R	817003	41778	SPICE	710095	419VB7	MARI	416154!
416289	SPG	417171!	41704	GARLK	472164!	4177B	JN-MN	455019!	41A62	O-M	471442!
416294	NATL	416294=	4170B	JN-MN	417196!*	4177CA	SPG	1993	41N1568	WGEAR	471466!
416294V	SPG	416294	41714	GARLK	472185!	41785S	SPG	471785!	41SR-28	MACK	HU036A
4162B	JN-MN	472924!	417158	NATL	417158!	4178B	JN-MN	415001!	41X10133A	JOHND	473231
41630007.5	TROS	417487	417158	NATL	9864S	4179496	CHRYS	4405V	41X10836A	JOHND	2081
41630010	TROS	417487	417159	VGR SPG	417159=	4179497	CHRYS	5414	41X50056D	JOHND	471272!
41630810	TROS	416288	417171	NATL	417171=	4179498	CHRYS	2146	41X51990A	JOHND	200854
41631210	TROS	456105	417181	NATL	417181=	417967	NATL	417967	41X53X7TA	TRSCM	1950
41631606	TROS	476470	417191	NATL	417191!	417VB7	MARI	473215!	41X55X7SC	TRSCM	41X55X7!
41631607.5	TROS	476470	417191	NATL	455165	418000	C-R	818000	41X55X7TC	TRSCM	41X55X7!
41631610	TROS	476470	417191	NATL	456585!	418003	C-R	818003	41X56X7SC	TRSCM	41X56X7!
41632010	TROS	416292	417196	NATL	417196=	41802	GARLK	472439	41X56X7TC	TRSCM	41X56X7!
416332	NATL	416332	417205	NATL	417205=	418028	NATL	415137!	420003	C-R	820003
416339	NATL	416339=	417210	NATL	486985=	418028	NATL	418028	4200156	AMC	25598
416339	NATL	455031	41726	GARLK	472179	418028	NATL	455137	42002	EATON	370023A
416345	NATL	416345=	417262	NATL	417262	418029	NATL	418029	42006	GARLK	471424!
416345	NATL	455033	417269	NATL	417269	41804	HYST	417349	4200669	US-EL	55386
416362	SPG	416362	417316	NATL	417316!	41809	HYST	415302	4201	CLARK	471818
416364	NATL	416364=	41733	HYST	416364!	41812	C-R	417513	420140	C91 IH	474276
416370	NATL	416370=	417344	NATL	417344=	41813	C-R	417513	42015	IH	473426
416370	SSR SPG	416370!	417349	NATL	417349	41814	GARLK	472572!	4201B	JN-MN	416071
416380	NATL	415196	417350	NATL	417350=	41818	ALLCH	471766!	42023	GARLK	472492!
4163B	JN-MN	415725!*	417351	NATL	417351=	41826	GARLK	473238!	42031	C-R	456141
416403	SPG	417602!	417353	NATL	417353=	41833	C-R	417514	42031	TROS	5246
416404	NATL	416404=	417354	NATL	417354=	41833C	HYST	472394	42035	GARLK	472924!
416414	NATL	415991	417355	NATL	417355=	41838	GARLK	473239!	42039S	TROS	5401
416414	NATL	415991!	417355	NATL	485497	4183LPD	JN-MN	416500	42041	TROS	5403
416414	SPG	415991!	417356	NATL	417356	41840S	TROS	474278!	42042	GARLK	417351!
416414	SPG	415991	417356	NATL	417356=	41840S	TROS	6859S	42043	TROS	5405
41647	SPICE	2146	417356	NATL	455188	418456	TW-CO	415036	42043	VIC	5M81
416476	NATL	416476	417357	NATL	455192	41848	GARLK	473240!	42044	TROS	5406
416500	C-R	816500	417362	NATL	415363=	4184B	JN-MN	472070*	42045	TROS	5408
416500	ORAR SPG	416500	417366	NATL	417366=	4185	NATL	5698	42045	VIC	5M81

! Industrial Size/Type * Minor Width Difference

= The U.S. customer service number is 877-4-TIMKEN. The Canadian customer service numbers are 800-565-4927 (English) and 800-565-0438 (French-Canadian).

NUMERICAL INTERCHANGE

Mfr. No.	Name	Zero Duplication or Recommended Industrial	Mfr. No.	Name	Zero Duplication or Recommended Industrial	Mfr. No.	Name	Zero Duplication or Recommended Industrial	Mfr. No.	Name	Zero Duplication or Recommended Industrial
42046	SPICE	473212	42150	US-EL	415302	42258	MID	473227	423314M1	C-R	418029!
42047	TROS	5410	42152	TROS	5951	42258	MID-R	473227	42331S	TROS	6846S=
42047	VIC	5M81	42153S	TROS	5957S	42259	TROS	6465	42332R	DIA	470898!
42049	VIC	5M293	42154	TROS	370036A	4225B	JN-MN	416292*	42332S	TROS	6847S
42050	VIC	55367=	42154	TROS	370349A	422600	MICH	417535	42336S	TROS	410496!
42053	TROS	5460	42155	TROS	203034	422600	UNIVE	417535	42337S	TROS	417210!
42055S	TROS	5462	42156	TROS	5971	422625	MICH	417536	42338S	TROS	6863S!
42056	GARLK	472397!	42159	GARLK	473204	422625	UNIVE	417536	42340S	TROS	370005A
42057	TROS	370002A	4215B	JN-MN	416921!	42263	TROS	455566	42341	GARLK	412920!
420575	UNIVE	415371*	42165C	VIC	5M403	42266	TROS	471829	42341S	TROS	6872S
42058S	TROS	417506	42166	TROS	415899N	42268	TROS	6513	42342S	TROS	417254
42060	TROS	370019A	42166	TROS	416624	42270	TROS	410708	42343S	TROS	473234!
420600	MICH	416158	42167	EATON	6754S=	42272S	TROS	6532S=	4234493	WGEAR	417210!
420600	UNIVE	416158	42169	VIC	5M356	42273	TROS	6547	42344R	TROS	470898!
42061S	TROS	370005A	42171	GARLK	470898	422743C91	IH	471424!	42345	TROS	6886S
420625	MICH	415064	421732C91	IH	442874	422744C91	IH	473232!	42346	TROS	6897=
420625	UNIVE	415064	42176	TROS	413478	42276	TROS	6532S=	42347S	TROS	6906S
42063	DANA	4131	42177	TROS	6074	42277	TROS	455134	42351	TROS	6922=
42063S	TROS	5471	42177D	IH	473367!	42279	TROS	416888!	42352S	TROS	471141
42064S	TROS	5472=	42177D	IH	473367	42280	AMC	473444	42353R	TROS	473459
42065S	TROS	5473	42179	TROS	353141!	42280	TROS	6575S	42354	TROS	370006A
42068S	TROS	5481	42179D	IH	455008	42280S	NATL	7840S	42354S	TROS	7006S
4206B	JN-MN	472164!	42181	TROS	6090S	42282	TROS	418028	42355S	TROS	7014S
42070S	TROS	5589	42182D	IH	415034!	42284	TROS	6590S	42357S	TROS	473234!
42071	GARLK	473242	42183D	IH	471750!	42284S	TROS	6590S	42358S	TROS	410059
42071	TROS	5494	42183DA	IH	471750!	422857	WHITE	416654	42358S	TROS	470380!
42072S	TROS	5495	42186	GARLK	472015!	42285S	TROS	6592S=	4235B	JN-MN	471567!*
42073	TROS	370003A	42187	TROS	410708	422878	ADAMS	416892!	42366	TROS	7376=
42075	TROS	5578	42188	TROS	470954	422881	ADAMS	415027!	42367	TROS	7378
42076	US-EL	416664!	42197	TROS	472924	422881	ADAMS	415027	42368S	TROS	7381S
42079	TROS	7600S	42198	GARLK	472016!	422881	LETN	415027	42369	VIC	5MR71
42089	TROS	7886S	42198	TROS	452222!	422881	LETN	415027!	42369S	TROS	370005A
42093	TROS	472016	4219B	JN-MN	455406!	422881	WABCO	415027	42372	GMC	417343!
420953	CATER	470380!	421W38	C-R	455566	422881	WABCO	415027!	42372S	TROS	471750
420984C91	IH	100495	422	KRSE	415449!	42288S	TROS	6597S	42373S	TROS	8370S
420984C91	IH	476023N	42201	TROS	6180=	4228B	JN-MN	474276!	42375S	TROS	8059S
42099	TROS	5751	42204	TROS	473214	42290	TROS	6612S	42376	MID	470590
4209B	JN-MN	411245!	42205D	VIC	5M403	422920	ADAMS	476838!	42376	MID-R	470590
421	KRSE	411376!	42207	TROS	410987=	42295S	TROS	6635S	423843	ADAMS	472924!
4210	C-R	343101	4220B	JN-MN	415458!	42296S	TROS	6638S	423843	LETN	472924!
421001C	EMSCO	416865!	4220LPD	JN-MN	415458!	42298S	TROS	471570!	423843	LK-BT	472924!
421002C	EMSCO	415074	4220LUP	JN-MN	415458!	42299	TROS	471267!	423843	WABCO	472924!
421003C	EMSCO	417298	42210	GARLK	473243	422997	ADAMS	473215!	42385	MWKEL	412920
42101	SPG	42101S	42212	TROS	471271!	42300	TROS	6644	42385	TROS	5313
42103	SPICE	473452	42214	TROS	6245S=	42301S	TROS	9613S	4238570	CHRY	4099
42103	TROS	5759=	42215	MID-R	471466!	42302	TROS	6649	4238789	CHRY	4249
4210530	CHRY	471271!	42215	SPECI	471344	42303	GARLK	471272!	4238B	JN-MN	415088
42106	TROS	5778	42216	MID	471267!	42303S	TROS	473234!	4238B	JN-MN	415088!
4210603	CHRY	341022	42216	MID-R	471267!	42304	TROS	6663S	42395	C-R	472157
4210952	CHRY	722109	4221A144	KOE	415458!	42306	TROS	471413!	42395	C-R	472157
4210B	JN-MN	473224!	4221B	JN-MN	415991	42308	TROS	470605!	42396	C-R	472157
42116	TROS	450307	4221B	JN-MN	455146!	4231012	EARTH	450398	42396	C-R	472157!
42117	TROS	470898	42220	TROS	6270	4231012	EARTH	471267!	42396	TROS	5965
42120	C-R	710295	42221S	TROS	6283S	42311S	TROS	6703S	4239B	JN-MN	473447*
42121	TROS	472179	42225	TROS	6312	42312	TROS	470712	423F38	C-R	476470!
42122	TROS	473228	42226	TROS	6324S=	42313	TROS	205004	423F38	C-R	476470
42125	VIC	5M289	42229	TROS	6336S	42315S	TROS	412473!	423FF38	C-R	476470
42126	TROS	471224	422309	WOOL	455576!	42316	TROS	416892	423FM38	C-R	476470
421268	WHITE	6635S	42231S	TROS	472258	42317	GARLK	471138!	423FM38	C-R	476470!
42130	TROS	5865	42233S	TROS	6357S	42317	TROS	6759S	42400	VIC	5MR71
42132	TROS	472258	42237S	TROS	6370N	42317S	TROS	6759S	4240044	CHRY	5414
42132S	TROS	472258	42238S	TROS	471526!	42320S	TROS	417134	4240101	CHRY	5127
42134	TROS	455280	4224	SKIL	471647	42322S	TROS	471466!	4240150	CHRY	5650
42140D	IH	415142	42241S	TROS	6402S=	42323S	TROS	471264!	42410	C-R	416556!
42143	TROS	473228	42243	TROS	471442!	42324S	TROS	481443!	42410	C-R	472157
42146	TROS	200354	42244	TROS	483054N	42325S	TROS	6808N	42411	C-R	472157!
421462	CATER	6760S	42248	TROS	472354!	42328S	TROS	6832S	42411	C-R	472157
42146S	TROS	204002	42249	TROS	417267	42329	GARLK	472636!	42411S	TROS	6668S
42148	TROS	45515!	42250	TROS	473228	42329S	TROS	470954	42416	TROS	370004A
4214B	JN-MN	417546!*	42256	TROS	370002A	4232B	JN-MN	472070*	42418	C-R	416556!
42150	GMC	415991!	42257S	UNIVE	415284*	42330	TROS	6840S	42418	C-R	472157
42150	GMC	415991	42257S	TROS	473179	423314	C-R	418029!	42419	C-R	472157

! Industrial Size/Type *Minor Width Difference

=The U.S. customer service number is 877-4-TIMKEN. The Canadian customer service numbers are 800-565-4927 (English) and 800-565-0438 (French-Canadian).

Mfr. No.	Name	Zero Duplication or Recommended Industrial	Mfr. No.	Name	Zero Duplication or Recommended Industrial	Mfr. No.	Name	Zero Duplication or Recommended Industrial	Mfr. No.	Name	Zero Duplication or Recommended Industrial
42420	TROS	7131	42490	IH	471733	4252612	ALLCH	471192	4254228	ALLCH	415458!
42422	C-R	472157	42490D	IH	471733	4252649	ALLCH	472287!	4254269	ALLCH	470954!
42422	GARLK	470565!	4249CA	SPG	4249	4252796	ALLCH	425RR	4254277	ALLCH	471413
42422410	TROS	455650=	424A38	C-R	476470!	42528	C-R	416891!*	42543	C-R	416891!
42423S	TROS	7896S	424A38	C-R	476470	4252815	ALLCH	472179	4254341	ALLCH	40973S
42424	TROS	7131	424AM3	C-R	417487!	4252825	ALLCH	472636!	42544	C-R	416891!
42425	C-R	452157!	424AM3	C-R	417487	4252849	ALLCH	472258!	42545	C-R	416891!
42426	C-R	472157	424AM38	C-R	476470!	4252F	GOODM	415645!	4254544	ALLCH	416339
42426	C-R	472157!	424AM38	C-R	476470	4252F	GOODM	455104	42546	C-R	416891!
42427	C-R	416556!	424AMM38	C-R	476470!	4253	C-R	417487	4254670	ALLCH	471787!
42427	C-R	472157	424AMM38	C-R	476470	4253052	ALLCH	416271!	42548	GARLK	470605!
42427	SPICE	4525V	424B3	C-R	417487!	42530527	ALLCH	416271!	4254838	ALLCH	472636!
42427	VIC	4525V	424B3	C-R	417487	425310	C-R	416292	4254874	ALLCH	473228!
42428	C-R	416556!	424B34	C-R	416288	4253106	ALLCH	424	4254875	ALLCH	471649!
42428	C-R	472157	424B38	C-R	476470!	425312	C-R	416294!	4254912	ALLCH	470530!
42429	C-R	416556!	424B38	C-R	476470	4253124	ALLCH	450457	4254932	ALLCH	40389S
42429	C-R	472157	424BM34	C-R	416288	425312M1	C-R	416294!	4254936	ALLCH	472258
4243	C-R	417487	424BM38	C-R	476470!	425314	C-R	418029!	4254954	ALLCH	450639
42430	C-R	472157	424BM38	C-R	476470	425314M1	C-R	418029!	42549543	ALLCH	450639
42430	C-R	472157!	424BM38-T8	C-R	476470!	42532	C-R	455734=	4254963	ALLCH	471554!
42430010	TROS	417488!	424BM38-T8	C-R	476470	4253248	ALLCH	473463	4254976	ALLCH	40433S
42430810	TROS	417171!	424C32410	TROS	412473!	4253264	ALLCH	40438S	4254986	ALLCH	40433S
42431	C-R	416556!	424F38	C-R	476470*	4253265	ALLCH	473367!	42549865	ALLCH	40433S
42431	C-R	472157	424FM38	C-R	476470!	4253265	ALLCH	473367	42550	C-R	AR22+370106A
42432408	TROS	412473!	424FM38	C-R	476470	4253297	ALLCH	40438S	42550+455024	C-R	380065A
42432410	TROS	412473!	424HMS226-Q6	C-R	411348!	42532M1	C-R	455015	4255130	ALLCH	471829
42433	C-R	472157* =	424W3-M1	C-R	417487	4253341	ALLCH	471571	42551309	ALLCH	471829
42433212	TROS	415899N	4250	C-R	472810!	42533414	ALLCH	471571	42553123	ALLCH	472439
42433212	TROS	416624	42500	SPICE	710202	4253382	ALLCH	417316!	4255587	ALLCH	471424!
42434	GARLK	413246	4250222	ALLCH	473016!	4253388	ALLCH	416892!	42557	C-R	416135!*
42436M1	C-R	456105*	4250224	ALLCH	473016!	42534	C-R	416288!	42557	GARLK	415449!
42438	C-R	476470	4250225	ALLCH	472070	42534	GR-DV	416288!	4255839	ALLCH	471787!
42438M1	C-R	476470	425025	ADAMS	471787!	42534M1	C-R	416288!	42558395	ALLCH	471787!
4243M1	C-R	417487	425025	LETN	471787!	4253541	ALLCH	472185!	4255851	ALLCH	40389S
4243V	SPG	713750	4250604	ALLCH	474281!	42536	C-R	456105	425587	ALLCH	471424!
42440	C-R	416556!	425067	ADAMS	416107!	42536	FAIRB	456105	4255B	JN-MN	417602!
42440	C-R	472157	425067	ADAMS	455073	42536	GARLK	471271!	4256	C-R	240470
42440	VIC	5MR71	425068	ADAMS	472185!	4253670	ALLCH	40370S	42560	C-R	416891!
42446	GARLK	413247!	425068	LETN	472185!	42536706	ALLCH	40370S	4256022	ALLCH	470530
424469C91	IH	452742	425069	ADAMS	417357	4253690	ALLCH	473243	425643	ADAMS	450593!
42448	C-R	472157	425069	ADAMS	455192!	4253691	ALLCH	472636!	425643	LETN	450593!
42448	C-R	472157!	425076	O-M	481537	42536M1	C-R	456105	425643	WABCO	450593!
42449	SPICE	719316	4250832	ALLCH	415035!	4253764	ALLCH	415001!	42565	C-R	416891!
42449-1	DANA	719316	4250832	ALLCH	415035	4253765	ALLCH	473231!	42568	C-R	416135!
424525	UNIVE	415150!*	4250833	ALLCH	473228	4253769	ALLCH	455583N!	42569	C-R	416135!
42455	C-R	472157*	4250B	JN-MN	473227	4253781	ALLCH	417171!	42569	GARLK	416273
42457	C-R	416556!	4251	C-R	472810!	4253792	ALLCH	55141	42570	C-R	416135!
42457	C-R	472157	4251203	ALLCH	410308!	42538	C-R	476470	42571	C-R	416135!
424575	MICH	415138!	4251705	ALLCH	472409!	42538	GR-DV	476470	42573	C-R	415045!*
424575	UNIVE	415138!*	4251784	ALLCH	472012	4253838	ALLCH	415001!	425748	WHITE	417316!
42458	C-R	416556!	4251862	ALLCH	471341!	42538M1	C-R	476470	42575	C-R	416891!
42458	C-R	472157	42518621	ALLCH	471341!	4253930	ALLCH	472234	42576	C-R	415045!
424588	MICH	417538	42518S	NATL	312518!	4253982	ALLCH	472287!	425824	ADAMS	471821!
424600	MICH	417247!	42518S	NATL	342518	42539825	ALLCH	472287!	425824	LETN	471821!
424600	UNIVE	455123	4251D	GOODM	417278	4253999	ALLCH	455336	42591	CHRYSL	471354!
42461	GARLK	416271!	4251F	GOODM	417278	4253M1	C-R	417487	425931	MC-CL	472287!
424625	MICH	415066	42520	MID	471689!	4254	C-R	472810!	42590S	JN-MN	472492!
424625	UNIVE	415066*	42520	MID-R	471689!	4254026	ALLCH	473473	425CHA38	C-R	476470!
42469	BUDD	5924	42520001	IVECO	713097	4254050	ALLCH	471570!	425CHA38	C-R	476470
42470	C-R	47150S	42521	MID	471649!	42540690	ALLCH	415027!	425F38	C-R	476470!
424740	ADAMS	415449!	42521	MID-R	471649!	42540690	ALLCH	415027	425F38	C-R	476470
42475	C-R	415196!*	4252117	ALLCH	415379!	4254079	ALLCH	471787!	425FM38	C-R	476470!
42477	C-R	415196!	4252117	ALLCH	415379	42541	C-R	416891!	425FM38	C-R	476470
42478	C-R	415196!	4252153	ALLCH	417316!	4254101	ALLCH	473010	425N224T-8	C-R	416282*
42479	C-R	415196!	4252154	ALLCH	411376!	42541011	ALLCH	473010	425N230	C-R	475348N
4248	C-R	472810!	4252177	ALLCH	415379!	4254104	ALLCH	473010	425N3	C-R	417487!
42480	C-R	415196!	4252177	ALLCH	415379	4254122	ALLCH	470606!	425N3	C-R	417487
42481	C-R	415196!	425224	C-R	416282	4254152	ALLCH	470898	425W224	C-R	416282
42482	C-R	415196!	42523	IH	471827!	4254177	ALLCH	471413	425W24-L	C-R	6180=
42485	C-R	415196!*	42523TB	TRSCM	472157	42541771	ALLCH	471413	425W3	C-R	417487
42486	C-R	415196!*	4252491	ALLCH	473475	42542	C-R	416891!	425W310	C-R	416292
424872	ADAMS	415025	42524SB	TRSCM	472157	4254227	ALLCH	40301S	425W314	C-R	418029!

! Industrial Size/Type * Minor Width Difference

= The U.S. customer service number is 877-4-TIMKEN. The Canadian customer service numbers are 800-565-4927 (English) and 800-565-0438 (French-Canadian).

NUMERICAL INTERCHANGE

Zero Duplication or Recommended Industrial		Zero Duplication or Recommended Industrial		Zero Duplication or Recommended Industrial		Zero Duplication or Recommended Industrial		
Mfr. No.	Name	Mfr. No.	Name	Mfr. No.	Name	Mfr. No.	Name	
425W34	C-R	416288!	4268B JN-MN	417349*	429-2979 STEM	417484!	4300B JN-MN	415035
425W34-M1	C-R	416288!	4269 SPG	5667	4290B JN-MN	456105*	4300D5 WHITE	410737!
425W36	C-R	456105	4269057 CHRYS	331228H	42933205 TROS	9339S	43011 TROS	470530!
425W38	C-R	476470	4269183 CHRYS	3173	42940D IH	471733	4301106 ALLCH	418028
425W38-M1	C-R	476470	4269183 CHRYS	710928	4295904 CHRYS	3459	4301106 ALLCH	455137!
4260	C-R	472810!	42698 GARLK	415984!	4297B JN-MN	417316!	43012 TROS	473464
4261	C-R	472810!	4269956 CHRYS	710058	4298 DICO	203015	43013 TROS	412119!
42612	C-R	55333=	4269B JN-MN	55155=	4298S SPG	722109	430131A SPG	712128
42615	AMC	50327	4269BX SPG	417505	429932 ADAMS	416888!	43014 TROS	473467!
42616	C-R	416137	4269BX SPG	5667	429932 LETN	416888!	4301461 ALLCH	471137
42617	C-R	457661V=	4270 C-R	50199S	429972 ADAMS	473228!	43015 DANA	472258
42617	GARLK	413248	4270 C-R	6863S	429972 LETN	473228!	43015 TROS	471224!
42620	C-R	416137	4270 SPG	224560	429972 WABCO	473228!	4301537 ALLCH	471763
42621	C-R	416137	4270 SPG	45X68X7!	42E29X60777 FWD	473462	43015379 ALLCH	471763
42622	C-R	370065A>	4270B JN-MN	417343!*	42E3Y393 FWD	471141!	43016S TROS	472409
42622	C-R	376590A%	4271 C-R	50199S	42E3Y569 FWD	472409!	43018 GARLK	417350!
42622	C-R	380065A>	4271 C-R	6863S	42E7Y1039 FWD	473215!	43018 TROS	412920!
42623	C-R	370065A>	42710 GARLK	417316!	42E7Y1040 FWD	450593!	43019 TROS	471192
42623	C-R	376590A%	427112 WHITE	417344!	42N1568 WGEAR	240009	4302 NATL	710067
42623	C-R	380065A>	42719 GARLK	415960	42X51514A JOHND	340787	43020S TROS	470625!
42624	C-R	370107A	427290 ADAMS	473228	42X51927A JOHND	481181!	43021 TROS	470954!
42624	C-R	380065A	427290 LETN	473228	42X53103A JOHND	240733	430218A SPG	471267
42625	C-R	370065A>	4273275 CHRYS	3638	42X55X7ASN ISP	42X55X7	430218N SPG	471267
42625	C-R	376590A%	427394 WHITE	472164!	42X55X8SC TRSCM	42X55X8!	43022 TROS	472287!
42625	C-R	380065A>	4273S SPG	55103S	42X55X8TC TRSCM	42X55X8!	430220A SPG	712129
42626	C-R	370030A	427424-R92 IH	370001A	42X56916A JOHND	471267!	4302452 ALLCH	450040
42626	C-R	380065A	42746D IH	471442!	42X56X7SC TRSCM	42X56X7!	43024S TROS	471763
42627	C-R	370048A	4274B JN-MN	472012*	42X56X7TC TRSCM	224220	43025 TROS	471765!
42627	C-R	370349A	427552R91 IH	370001A	42X56X7TC TRSCM	42X56X7!	43026S TROS	471766!
42627	C-R	380048A	427553R91 IH	HU066A	42X56X8SB TRSCM	473573	43027 TROS	471801!
42627	C-R	386025A	427554R1 IH	730016	42X58X7SC TRSCM	42X58X7!	43028S TROS	473016!
42627	C-R	386590A	4275B JN-MN	455026	42X58X7TC TRSCM	42X58X7!	430298 ALLCH	470380!
4262B	JN-MN	471224!	42770 GARLK	415303!	42X60X7SC TRSCM	42X60X7!	43030 TROS	472179
42630	C-R	370065A	4277B JN-MN	416077	42X60X7TC TRSCM	42X60X7!	43030A ALLCH	472572!
42630	C-R	376590A%	42780 HYST	472636!	42X60X8SB TRSCM	1953	430305 ALLCH	416125!
42630	C-R	380065A	42782 GARLK	417344!	42X62X8SC TRSCM	42X62X8	430306 ALLCH	473258
42631	C-R	370065A	42791 GARLK	417158!	42X62X8TC TRSCM	42X62X8	430307 ALLCH	472258!
42631	C-R	415058	4279M BRAD	471554!	42X65X10SC TRSCM	42X65X10!	43032 TROS	471649!
42632	GARLK	415483	4280 C-R	50199S	42X65X10TC TRSCM	42X65X10!	43033 GARLK	415995!
42635	C-R	417518	4280 C-R	6863S	42X68X10 SIMRT	42X68X10	43033 GARLK	415995!
4263B	JN-MN	471763	42800 C-R	370030A	42X68X10SC TRSCM	42X68X10	43034 TROS	470712!
42640	TROS	470354	42800 C-R	370338A	42X68X10TC TRSCM	42X68X10	43035 TROS	473466
42644	C-R	415058*	428119C91 IH	370023A	42X68X8SC TRSCM	42X68X8	43036 TROS	473235!
42644	GARLK	415458!	42812 GARLK	416921!	42X68X8TC TRSCM	42X68X8	43039 TROS	472636!
4264B	JN-MN	471760*	4281B JN-MN	472299	42X70X10SC TRSCM	42X70X10	43040 TROS	412040
42650	C-R	415058	428455C91 IH	370003A	42X70X10TC TRSCM	42X70X10!	4304084 ALLCH	471570!
426512	ADAMS	417356!	42847 KELSE	416297	42X72X10SC TRSCM	42X72X10!	430413R91 IH	471504
426512	ADAMS	455188	428472 ADAMS	415938	42X72X10TC TRSCM	42X72X10!	43042 GARLK	417351!
426512	LETN	417356!	428472 LETN	415938	42X72X8ASN ISP	42X72X8	43043S TROS	410496!
426512	LETN	455188	428472 WABCO	415938	42X80X10SC TRSCM	42X80X10	43044 TROS	471689!
426513	ADAMS	471570!	428489 ADAMS	417196!	42X80X10TC TRSCM	42X80X10	43045S TROS	471442!
426513	LETN	471570!	428489 LETN	417196!	42X80X8SC TRSCM	42X80X8	43046S TROS	471827
426514	ADAMS	472394	428600 MICH	416167!	42X80X8TC TRSCM	42X80X8	43047S TROS	410708
426514	WABCO	472394	428600 UNIVE	416167!	43 GARLK	320457	43048 TROS	471829
426515	ADAMS	416271!	428613 MICH	417267	43000 BLUE	412920	43050 C-R	455197N
426515	LETN	416271!	428625 MICH	417269!	43000 TROS	471526!	43051 C-R	455197N
42656	GARLK	417343!	428625 UNIVE	417269!	43000239 AMC	470547	43051S TROS	471344
426575	UNIVE	455251H*	42867 SPICE	710389	4300121 FULLE	710211	43054S TROS	476470
4265B	JN-MN	417351!	42867 VIC	710389	43001S TROS	473215!	43054S TROS	476470!
426600	MICH	416163	4286B JN-MN	416666	43002 TROS	410059	43055 TROS	415458!
426600	UNIVE	416163	42875 HYST	455308	43002 TROS	470380!	43055 VIC	5M89
426625	MICH	456890	4287B JN-MN	450129	4300204 FULLE	473454	4305534 ALLCH	471554!
426625	UNIVE	456890	4287B JN-MN	472826!	430032 CATER	417349!	43056 TROS	417316!
4266B	JN-MN	415711*	428806 ADAMS	415991	43003S TROS	410059	43057 TROS	417344!
42670	C-R	415058	428806 ADAMS	455146!	43003S TROS	470380!	4305798 ALLCH	415023
42671	C-R	415058	428806 LETN	415991	43006 TROS	473228!	43058 TROS	415960
42672	C-R	415058	428806 LETN	455146!	43007 TROS	472185!	430600 ALLCH	487945
42673	C-R	416158	428806 WABCO	415991	430082A SPG	712127	430600 MICH	417539!
4267B	JN-MN	327303!	428806 WABCO	455146!	43008S TROS	472439	430600 UNIVE	417539!
4268	DURA	450039	42884 HYST	473448	43009 GARLK	417349!	43060S TROS	415995!
42683	GARLK	416664!	4288B JN-MN	473228	43009 TROS	472924!	430625 MICH	417273
426834-C1	IH	HU065A	4289B JN-MN	412473!	4300B JN-MN	415035!	430625 UNIVE	417273

! Industrial Size/Type *Minor Width Difference > Hub Mount % Spindle Mount
 = The U.S. customer service number is 877-4-TIMKEN. The Canadian customer service numbers are 800-565-4927 (English) and 800-565-0438 (French-Canadian).

Mfr. No.	Name	Zero Duplication or Recommended Industrial	Mfr. No.	Name	Zero Duplication or Recommended Industrial	Mfr. No.	Name	Zero Duplication or Recommended Industrial	Mfr. No.	Name	Zero Duplication or Recommended Industrial
43063	TROS	476470	4312	C-R	6863S	4316B	JN-MN	450765!	43234408	TROS	416919
43064	TROS	415023	43121	TROS	417191	43170	TROS	416282	43235	TROS	471647
43065	TROS	416891!	43123	TROS	415960	43170	VIC	5M867	43236	GARLK	417181!
43066	TROS	415041	43124	TROS	471554!	43171	TROS	417602!	43237	TROS	471689
43067S	NATL	240319	43125	TROS	473215!	43173	TROS	415137!	43239	OLIVE	418028
43067S	TROS	416271!	43127	TROS	473367	43173	TROS	418028	43239	OLIVE	455137!
43068	TROS	415449!	43128	TLSMI	415645!	43174S	TROS	415146!	43239	TROS	40286
43069	TROS	417351!	43128	TLSMI	455104	43174S	TROS	415991	43241	TROS	40301S
43070S	TROS	415379	43128	TROS	473228!	43175	TROS	415449!	43242	TROS	40316S
43071	C-R	455197N	43129	TROS	473232!	43176	TROS	417343!	43243	TROS	240319
43071	TROS	417205!	43130	C-R	417520	43177	TROS	5578	43244	TROS	40328
43071	VIC	2205	43130	TROS	472185!	43178	TROS	417171!	43245	TROS	40337S
43072	C-R	455197N*	43131	C-R	417520	43179	TROS	417181!	432452	ALLCH	450040
43073	C-R	455197*	43132	TROS	470530!	43180	TROS	412473!	43248	TROS	40360S!
43073	TROS	416556!	43133	TROS	411253!	43184	TROS	416706	43249	TROS	40370S
43073	TROS	472157	43134	TROS	412119	43185	TROS	417484!	43250	TROS	40973S
4307359	ALLCH	417354!	43135	TROS	471192	43186S	TROS	417159	43251	TROS	474276
43074	TROS	416888!	43137	TROS	471766!	43189	TROS	410825	43251	VIC	5MR1008
43075	HYST	473442!	43138	TROS	472179	4319	WOODB	415458!	43252-M0200	CEW	1128
43075	TROS	417247!	43139	TROS	473179!	43190	TROS	415437	43253	TROS	40389S
43077	TROS	416706!	4313B	JN-MN	415036*	43194	SPG	43194	43254	TROS	472354!
43078	TROS	415991	43140	TROS	472394	43194	TROS	416394	43255	TROS	417267
43079S	TROS	415379	43141	C-R	55611=	43196	TROS	8996S=	43256	TROS	42352S
43080	TROS	417492	43141	TROS	472397!	43198	TROS	471264	43257S	TROS	40401
43083	TROS	415656	43142S	TROS	472015!	4320	C-R	50199S	43259	TROS	351487
43084	TROS	471264!	43143	GARLK	417171!	4320	C-R	6863S	43260S	TROS	40433S
43085	SPICE	714675	43143	TROS	410308	43200	C-R	417238	43261S	TROS	471647
43085	TROS	473215!	43145	TROS	472636!	43201	C-R	417238	43262	TROS	40468
430852-2	FORD	714675	43146	SPICE	417158!	43203	TROS	471554	43263	TROS	442380
43086	TROS	470380!	43146	TROS	472164!	43205	TROS	473213!	43264	TROS	40520S
43089S	TROS	470334!	431461	ALLCH	471137	43206	TROS	43089S	43267S	TROS	40555
43092	TROS	470530!	43147	C-R	416144	43207	TROS	40059S	43267S	TROS	40555S!
43093	TROS	471192	43148	TROS	470898	432079C1	IH	473444	43269	TROS	40566S
43094	TROS	470954!	43149	TROS	472492!	43208	TROS	7886S	43269S	TROS	40555
43095	TROS	473460	4314976	FIAT	710359	43211	TROS	472185!	43269S	TROS	40555S!
43095S	NATL	340847	4314B	JN-MN	417487	43212	TROS	40071S	4327	C-R	11X17X4
43096	TROS	471760	4315	C-R	50199S	43214	TROS	40085S	43270	TROS	40568S
43097	TROS	471763	4315	C-R	6863S	43215	TROS	40101S	43272	TROS	40627S=
43098	TROS	471765!	4315	SKIL	50209	43218	TROS	240119	43274	TROS	471737=
4309B	JN-MN	473231	43150	TROS	473227!	43219	TROS	471224	43275	GARLK	417353!
430D5	WHITE	473215!	43151	C-R	416144	43220	TROS	471413	43276	TROS	40769S
4310	C-R	50199S	43151	TROS	471271!	43221	TROS	470954	43278	TROS	340787
4310	C-R	6863S!	43152	C-R	416144	43224	TROS	471760	43279D	IH	450065
4310	NATL	5699	43153	TROS	415001!	43225	TROS	471763	43280	TROS	41013S
43100	TROS	472397!	431537	ALLCH	471763	43226	TROS	471766	432802C91	IH	331227H
4310030	ALLCH	450593!	43154	SPICE	710241	43228	TROS	40169S	43281D	IH	450260
43101	TROS	472636!	43154	TROS	415458!	43229	TROS	40183S!	43282	TROS	41075S
43103	TROS	472258!	431543	WHITE	455336	43230	TROS	471571	43283	TROS	46997S
43104	GARLK	417621!	43155	TROS	417316!	43230807.5	TROS	417172	43283D	IH	473467
4310467	ALLCH	471750!	43156	TROS	417344!	43231607.5	TROS	418028	43284	TROS	43086S
4310487	ALLCH	471750!	4315694	ALLCH	415234!	43231607.5	TROS	455137!	43285	TROS	45013S
4310523	ALLCH	471192	43157	TROS	415960	43231610	TROS	418028	4328B	JN-MN	455330!*
43105279	ALLCH	471643!	43158	TROS	416921!	43231610	TROS	455137!	43291	TROS	45187S
43107	TROS	417316!	43159S	TROS	416654	43232007.5	TROS	415085!	43293	TROS	45525S
4310986	ALLCH	471466!	4315B	JN-MN	415025*	43232007.5	TROS	456648	43294	TROS	45031S
4311035	WOOL	455022	43160	TROS	415995!	43232010	TROS	415085!	43295	TROS	45825S
431106	ALLCH	418028	43160	TROS	415995!	43232010	TROS	456648	43296	TROS	45827S
431106	ALLCH	455137!	431616R91	IH	370021A	43232410	TROS	417191	43297S	TROS	470565!
43110S	TROS	416288!	431616R92	IH	370021A	43232410	TROS	456585	43298S	TROS	417563
4311125	ALLCH	474281!	431619R91	IH	370036A	43233207	TROS	415991	43299S	TROS	475348N
43113	TROS	415072	431619R91	NAVST	370349A	43233207	TROS	415991!	432A31207.5	TROS	455336
4311323	ALLCH	416332!	43161S	TROS	416288	43233207.5	TROS	415991!	432A31607.5	TROS	418028
43113232	ALLCH	416332!	431620R92	IH	HU009A	43233207.5	TROS	415991	432A31607.5	TROS	455137!
43114	TROS	416229	431621R2	IH	733067	43233207C	TROS	415991	432A31609.5	TROS	415137!
43115S	TROS	415449!	43162S	TROS	476470	43233207C	TROS	415991!	432A31609.5	TROS	418028
43116	GARLK	416288!	43162S	TROS	476470!	43233209	TROS	415991!	432A32007.5	TROS	415085!
43116	TROS	417621!	4316315R1	IH	2261	43233209	TROS	415991	432A32007.5	TROS	456648
43117	TROS	417181!	4316316R1	IH	2261	43233210	TROS	415991	432A32407.5	TROS	417191
43119	TROS	415991!	43164	TROS	415035	43233210	TROS	455146!	432A32407.5	TROS	455165!
43119	TROS	415991	43167	TROS	416865!	43233213	TROS	415991	432A33207.5	TROS	415991
431194C91	IH	473243	43168	TROS	416239!	43233213	TROS	415991!	432A33207.5	TROS	455146!
4312	C-R	50199S	43169S	TROS	416271!	43234	TROS	40208	432B31606.5	TROS	418028

! Industrial Size/Type * Minor Width Difference

= The U.S. customer service number is 877-4-TIMKEN. The Canadian customer service numbers are 800-565-4927 (English) and 800-565-0438 (French-Canadian).

NUMERICAL INTERCHANGE

Zero Duplication or Recommended Industrial		Zero Duplication or Recommended Industrial		Zero Duplication or Recommended Industrial		Zero Duplication or Recommended Industrial	
Mfr. No.	Name	Mfr. No.	Name	Mfr. No.	Name	Mfr. No.	Name
433	CARVR	4339B	JN-MN	4356B	JN-MN	43733	GARLK
43300	C-R	434	CARVR	435798	ALLCH	43734	C-R
433001	LIMA	4340	C-R	43580	GARLK	43734M1	C-R
433003	LIMA	4340	C-R	435805	WHITE	437359	ALLCH
43301	C-R	43401	TROS	43592-65D00	SUZUK	43736	C-R
4330186	ALLCH	434049	WHITE	435F220	C-R	43736M1	C-R
43303	C-R	4340655	ALLCH	43601	GARLK	43738	C-R
43304	TROS	434084	ALLCH	4360255	ALLCH	43738M1	C-R
43308D	IH	4340B	JN-MN	4360256	ALLCH	4373M1	C-R
43309	TROS	4341209	ALLCH	4360B	JN-MN	43745	GARLK
4330B	JN-MN	4341925	ALLCH	4360B	JN-MN	4374B	JN-MN
43310	C-R	434241	WHITE	4360LPD	JN-MN	43750	C-R
43311	C-R	43430-60810	SUZUK	4360LUP	JN-MN	43751	C-R
43311	TROS	43431-50G00	SUZUK	43613	GARLK	43752	C-R
4331142	ALLCH	43431-50G10	SUZUK	4361B	JN-MN	43752	C-R
43313S	TROS	43431-60820	SUZUK	4362642	ALLCH	43753	C-R
43317	TROS	43431-60B20	SUZUK	43630819.25	TROS	43753	C-R
43317R	DIA	43431-60G00	SUZUK	436312	C-R	43754	C-R
43318	TROS	43431L	C-R	436316	C-R	43754	C-R
4331846	ALLCH	4343903	CHRY	436316M1	C-R	43754	C-R
4331846	ALLCH	43442D	IH	43644	RENAU	4375625	ALLCH
4331983	ALLCH	4344631	SPICE	43644	RENAU	4376	AT SU
433202A	LIMA	4344631	SPICE	4364411	ALLCH	4376	SPG
433204A	LIMA	4344663	ALLCH	436449-R91	IH	43761	C-R
43320S	TROS	4345	C-R	43646	GARLK	43761	C-R
43322S	TROS	43451	GMC	43650	C-R	43762	C-R
43324S	TROS	4345207	ALLCH	4365282	ALLCH	43763	C-R
43324S	TROS	4345B	JN-MN	43660D	IH	43763	GARLK
43325	C-R	43460	GARLK	43667	GARLK	43764	C-R
43327	C-R	4346231	ALLCH	43670	C-R	43764	C-R
43328	C-R	43463D	IH	43671	C-R	4376B	JN-MN
43331	TROS	4346686	ALLCH	4367238	ALLCH	43771	C-R
43338	C-R	434686C1	IH	4367592	ALLCH	43772	C-R
43340	C-R	43473	ALLCH	43675925	ALLCH	4377B	JN-MN
43340	C-R	4347933	ALLCH	43682	GARLK	4378510	ALLCH
43340	C-R	4348	C-R	4368323	ALLCH	43793	C-R
43340	TROS	434877R91	IH	4368324	ALLCH	43795	C-R
43340	VIC	434878R91	IH	4368578	ALLCH	43795	C-R
433407A	LIMA	4348B	JN-MN	4368B	JN-MN	43797	AMC
43341	C-R	4349736	ALLCH	43690	C-R	4379747	ALLCH
43341	TROS	43499	GARLK	4369005	ALLCH	4379960	ALLCH
43342	C-R	4349B	JN-MN	4369005	ALLCH	4379B	JN-MN
43343	C-R	4350	C-R	43691	C-R	437B34	C-R
43343S	TROS	4350	C-R	4369324	ALLCH	437W3	C-R
4335	C-R	43500	VIC	436A38	C-R	437W310	C-R
4335	C-R	435012N	SPG	436B38	C-R	437W312	C-R
4335255	ALLCH	435013N	SPG	436BM312	C-R	437W312-M1	C-R
43355	C-R	43502S	TROS	436C312	C-R	437W34	C-R
43355	C-R	4350319	ALLCH	436D5	WHITE	437W34-M1	C-R
43356	GMC	43504	SPICE	436D5	WHITE	437W36	C-R
43359D	IH	43509D	IH	436F312	C-R	437W38	C-R
43359D	IH	435101N	SPG	436FM312	C-R	437W38-M1	C-R
433602A	LIMA	4351142	ALLCH	436H312	C-R	43800	C-R
433603A	LIMA	4351188	ALLCH	436W3-M1	C-R	43800D	IH
43364	GARLK	4351731	ALLCH	43700	C-R	43800DA	IH
43370	C-R	4353	C-R	43701A	C-R	438031	WHITE
43370	C-R	435316	C-R	4370359	ALLCH	4380B	JN-MN
433708	WHITE	435316M1	C-R	4370419	ALLCH	43810	C-R
433759	WHITE	43535POSA	TRSCM	43714	C-R	43811	C-R
43381	GMC	4353982	ALLCH	4371692	ALLCH	43820	C-R
43385	C-R	4353VG3	SPG	43716927	ALLCH	43820	C-R
4338553	CHRY	43543A	HYST	43721	GARLK	43820	WHITE
4338655	AMC	4355	C-R	437212	C-R	43838	GEHL
43387	SPICE	4355	C-R	437228	C-R	43839	GEHL
43387	VIC	435534	ALLCH	43722D	IH	4384188	CHRY
4338893	CHRY	43554SA	TRSCM	4373	C-R	438454-R92	IH
4338968	CHRY	43554SA	TRSCM	4373014	ALLCH	43850	C-R
4338993	CHRY	4355645	ALLCH	437310	C-R	43850	C-R
4338B	JN-MN	4355646	ALLCH	437310M1	C-R	43861	C-R
4338B	JN-MN	4355648	ALLCH	437312	C-R	43865	C-R
43390	C-R	4356591	ALLCH	437312M1	C-R	4386879	ALLCH
43394	GARLK	43568	GARLK	437315	C-R	43875	C-R

! Industrial Size/Type *Minor Width Difference > Hub Mount % Spindle Mount
 = The U.S. customer service number is 877-4-TIMKEN. The Canadian customer service numbers are 800-565-4927 (English) and 800-565-0438 (French-Canadian).

Mfr. No.	Name	Zero Duplication or Recommended Industrial	Mfr. No.	Name	Zero Duplication or Recommended Industrial	Mfr. No.	Name	Zero Duplication or Recommended Industrial	Mfr. No.	Name	Zero Duplication or Recommended Industrial
4387605	ALLCH	471688=	44030	VIC	472258!	44076	TROS	474265	4412475	CHRY5	331228H
4390	C-R	474277*	44030809	TROS	416297	44076	VIC	224045	44125	TROS	450124=
4390	C-R	474277	44030809.75	TROS	370046A	44076	VIC	40X62X12!	4412522	CHRY5	3459
4390171	ALLCH	455583N=	44031	TROS	471570!	44077	TROS	50075=	4412522AB	CHRY5	3459
4391019	ALLCH	471472!	44031207	TROS	6358	44078	TROS	470334!	441260C91	IH	370150A
43915	VIC	5M497	44031608	TROS	417353!	44078	VIC	224045	441260C91	IH	417158!
4393969	ALLCH	J1838* =	44032	SPERY	204013	44078	VIC	40X62X12!	44127	TROS	471735
4394689	ALLCH	77322V=	44032	TROS	450033	44079	TROS	474281!	4412836	CHRY5	471539
43950	KELSE	203025	440324C1	IH	451143	44080	TROS	473444	44128S	TROS	450129
4395B	JN-MN	415150!*	440324C2	IH	451143	44081	VIC	1070=	44128S	TROS	472826!
43964D	IH	415458	440325C1	IH	471413	44082	TROS	473446	44129	TROS	412920!
4397500	TAYLR	410308!	44033	TROS	474273	44083	TROS	50081	441298R91	IH	471267!
4397500	TAYLR	473468	44033009	TROS	2055	44084	TROS	473238	4412990	CHRY5	472572
4397623	CHRY5	5650	44033210	TROS	417196!	44085	TROS	472924!	44130	TROS	450133
4397712	CHRY5	5414	44034	VIC	472299	44085	VIC	1012	44131	TROS	471192
4397B	JN-MN	417196!	44034010	TROS	416332!	44085	VIC	1012N	44132S	TROS	471192
43995	VIC	5M466	44035	GARLK	417356!	44086	TROS	450084!	44133	TROS	470625!
4399B	JN-MN	473232	44035	TROS	473415	44087	VIC	473238!	44134S	TROS	470625!
4399T2	WHITE	415988	44036	TROS	471137	44087S	TROS	450084!	44135	TROS	471529
43G	OSHKO	455008	44038	TROS	450039	44088	TROS	470530!	44136	TROS	473459
43X55X8SC	TRSCM	43X55X8	44039	TROS	450040	440883R91	IH	471267!	44137S	TROS	473459
43X55X8TC	TRSCM	43X55X8	44040S	TROS	450040	44089	TROS	470086	44138	TROS	472234
43X65X8SC	TRSCM	43X65X8	44041	TROS	450593!	4408B	JN-MN	451583!*	44142	TROS	473226
43X65X8TC	TRSCM	43X65X8	44043	TROS	476838!	44090	C-R	112X150X15*	44143	TROS	473460
44000	C-R	328039	44044	VIC	472492!	44090	TROS	473313	44145	TROS	450147
440001	WAYNE	471554!	44045	TROS	473426	44090S	SPG	4148	44146	TROS	473463
44001	TROS	474277	44045S	TROS	473215!	44090S	SPG	471424!	44147	TROS	40769S
44001	VIC	471195!	44046	TROS	450048	44091S	TROS	470088	44147	VIC	1020
440012	WAYNE	471730	44047	TROS	471750!	44092	TROS	450089	44148	TROS	471750!
44002	TROS	470004!	44047	VIC	1035=	44092	VIC	224040	44148	VIC	472258
44004	TROS	471530	44048	TROS	470050	44092	VIC	40X60X10!	44149	TROS	472560N!
44005	TROS	471281!	44049	TROS	473427	44093	TROS	450090	44150	TROS	473205
44006	TROS	471532	44050	TROS	471354!	44094	VIC	471827	44151	TROS	472287!
44007	VIC	470712!	44051	TROS	473213!	44095	TROS	473458!	441515C1	IH	472635
440070	SPG	472185!	44052	TROS	450054	44096	VIC	1091=	44152	TROS	473234
44008	TROS	471466!	44053	TROS	473215!	44097	TROS	473462	44152	VIC	472572!
44008	VIC	330385!	44054	TROS	471354!	44098	TROS	473464!	44153	TROS	473447
44009S	TROS	471466!	44054	VIC	472164!	44098	TROS	473464	44154	TROS	350156
4400RX	SPG	4400=	44054S	TROS	473215!	44099	TROS	416738!	44154	TROS	473096
44010	C-R	112X135X15*	44055	GARLK	417357	44099	TROS	450096	44155	TROS	471760
44010	TROS	50010	44056	TROS	473225!	4409B	JN-MN	471765!	44156S	TROS	471760
44011	VIC	330385!	44057	TROS	473438	440RC	SUL	415035!	44157	TROS	471762!
44013	TROS	471472!	44057	VIC	471192	440RC	SUL	415035	44158	TROS	450159
440132	SPG	412920	44058	TROS	470059	44100	TROS	413469!	44158	VIC	471787!
44014	TROS	471535!	44058	TROS	470380!	44101	TROS	412943	44159	TROS	471763
44014	VIC	1062=	44059	TROS	470059	44102	TROS	411253!	44159S	WHITE	412473!
440148SS	SPG	440148	44059	TROS	470380!	44102	VIC	472492!	4415B	JN-MN	415379
44016	VIC	2551	44059S	TROS	470059	44103	TROS	410694!	4415B	JN-MN	415379!
44018	TROS	471549!	44059S	TROS	470380!	44104	TROS	412119!	44160	TROS	471764!
44018	VIC	224045	44061	TROS	470950!	44105	TROS	410102!	44161	TROS	471765!
44018	VIC	40X62X12!	44061	TROS	6241S	44106	TROS	410987!	44162	TROS	471766!
4401RX	SPG	4401=	44062	TROS	474264	44107	TROS	450104	44163S	TROS	471766!
44020	TROS	471551!	44063	TROS	471820	44108	TROS	414045!	44164	TROS	473424!
44020	VIC	1097N	44064	TROS	471821!	4410B	JN-MN	471571*	44165	TROS	450165
44021	TROS	471558	44065	TROS	450065	44110	TROS	473471	44165	TROS	471801!
44022	TROS	471255!	44066	TROS	473367!	4411035	WOOL	417604	44166	TROS	473212!
44022	VIC	1094=	44066	TROS	473367	44112	TROS	473441	44168	TROS	473214
44023	TROS	471553!	44067S	TROS	473367!	441130S	WMG	441130	4416B	JN-MN	470606!
44024	TROS	50026	44067S	TROS	473367	44114	TROS	450111	44170	TROS	473016!
44024	VIC	222510	44068S	TROS	473228	44116	TROS	473467	44171	TROS	473016!
44024	VIC	25X35X7!	44069	TROS	450068	44116	VIC	1077=	44171S	TROS	473016!
44025	TROS	471554!	44069	VIC	1040=	44117	TROS	473450	44173	TROS	450177
44025	VIC	1097N	4406B	JN-MN	415196!*	44118	TROS	472572!	44174	VIC	223005
44026S	TROS	471554!	44070	TROS	473232	44119	TROS	473449	44174	VIC	30X40X7!
44027	TROS	471567!	44071	VIC	472164!	4411B	JN-MN	471231!	44174S	TROS	415146!
44027	VIC	471737	44071S	TROS	473232	44120	TROS	471442!	44174S	TROS	415991
44028	VIC	1163=	44072	TROS	472185!	44121S	TROS	471442!	44175	TROS	473421
44028S	TROS	471567!	44073	TROS	472439	44122	TROS	471224!	44176	TROS	471747!
44029	TROS	474253	44073	VIC	470898	44123	TROS	472409!	44177	TROS	472179
4403	FULLE	472179	44074	TROS	481864	44124	TROS	473437	44178S	TROS	472179
44030	C-R	112X140X13	44075	GARLK	416130!	44124	VIC	226020	44179	TROS	471571
44030	TROS	473414	44075	TROS	450073	44124	VIC	60X80X8!	441790	WHITE	472015!

! Industrial Size/Type * Minor Width Difference

= The U.S. customer service number is 877-4-TIMKEN. The Canadian customer service numbers are 800-565-4927 (English) and 800-565-0438 (French-Canadian).

NUMERICAL INTERCHANGE

Mfr. No.	Name	Zero Duplication or Recommended Industrial	Mfr. No.	Name	Zero Duplication or Recommended Industrial	Mfr. No.	Name	Zero Duplication or Recommended Industrial	Mfr. No.	Name	Zero Duplication or Recommended Industrial
44180	TROS	473229	44242	TROS	473211!	44305	TROS	470328	44372	TROS	450446
44181	TROS	473236!	44243	TROS	473436	44305	TROS	481213!	44374	TROS	471270!
44182	TROS	471619!	44243	VIC	1165	44306	TROS	412871!	44375	TROS	480630!
44183	TROS	450188	44244	VIC	1195	44307	TROS	470605!	44376	TROS	473197
44184	TROS	471692!	44245	TROS	50254=	44308	TROS	450332	44377	TROS	473224!
44185	TROS	410190	44247	TROS	450260	44309	TROS	470334!	44378	TROS	450456!
44186	TROS	50191	44248	TROS	470682	44310	C-R	110X130X12	44379	TROS	450457
44187	TROS	473473	44249S	TROS	470682	44310	TROS	474255	44380	TROS	473440!
44189	TROS	473010	44250	C-R	55199=	44311	TROS	450339	44381	TROS	50462
4418LA	JN-MN	470950!	44250	TROS	451469	443126C1	IH	415379!	443814	WHITE	471192
4418LA	JN-MN	6241S	44251	C-R	55199=	44313	TROS	450341	44382	TROS	450463
44190S	TROS	473010	44251	WAUKE	450165	44314	TROS	450343	44383	TROS	450467
44192	TROS	471103!	44251	WAUKE	471801!	44315	TROS	50345=	44384	TROS	50468
44193S	TROS	471103!	44252	TROS	473235!	44316	TROS	474254	44385	TROS	481537
44195	TROS	50199S!	44253	TROS	50266	44317	TROS	413247!	44386	TROS	472810!
44195	TROS	6863S!	44254	TROS	473451!	443174	WHITE	416892!	44387S	TROS	472810!
44196S	TROS	50199S!	44255	GARLK	416556!	44317C	DIA	470625!	44388	TROS	450472!
44196S	TROS	6863S!	44255	GARLK	472157	44318	TROS	471504!	44389	TROS	450474
44197	TROS	320457	44255	TROS	450269	44319S	TROS	471504!	4439	SPG	2000
441989	WHITE	330385!	44255	VIC	450269	4431BX8	SPG	9316	4439	SPG	224235
44199	TROS	472705!	44256	TROS	471866!	4431RR8	SPG	9316	4439	SPG	42X58X7!
44199	VIC	2551	44258	TROS	471868	4431VJ8	SPG	719316	44390	TROS	471344
441S270	MACK	5M466	44259	TROS	450273	4431VJ8	SPG	9316	44393	TROS	473445
44200S	TROS	472705!	44263	TROS	450279	4431VJO	SPG	719316	44394	TROS	323138!
44201	TROS	481443!	44266	TROS	473179!	44320	C-R	417526	44395	TROS	471818
44202S	TROS	481443!	44267	TROS	450285	44320	TROS	472164!	44396	GMC	471442!
44203	TROS	471231!	442671C1	IH	415027!	44321	C-R	417526	44396	TROS	450482
44204	TROS	471579	442671C1	IH	415027	44321S	TROS	472164!	44398	TROS	411330!
44205	VIC	471192	44268	TROS	474274	44322	TROS	470354	44400	TROS	50490=
44206	VIC	70X90X10!	44269	C-R	7354N	44323	TROS	471538!	44401	TROS	480491
44207	TROS	451583!	44271	TROS	470334!	44324	TROS	474278!	444020	KEN	415027!
44208S	TROS	451583!	44271	TROS	50289	44325	TROS	473231	444020	KEN	415027
44209	TROS	50209	44272	TROS	471141!	44326S	TROS	473231	44403	TROS	472164!
442096	WHITE	471553!	44273	TROS	473453	44327	TROS	473448	44404	TROS	410496!
44210	TROS	480210!	44275	C-R	457295 *	44328	TROS	471870!	44405	TROS	450497=
44212	TROS	481644	44275	TROS	472144!	44329	TROS	472193!	44406	TROS	50501
44212	VIC	1110	44276	TROS	473239	44330	TROS	450362	44407	TROS	474260
442128	SPG	6815	44277	C-R	457295	44331	TROS	350364	44408	TROS	450503=
44213	TROS	471645	44277	TROS	472394	44335	TROS	411500	44409	TROS	472843
44214	TROS	473414	44278S	TROS	472394	44336	GMC	471224!	44410S	TROS	472843
44215	TROS	471646!	44279	TROS	472397!	44336	TROS	471652	44412	TROS	470506!
44216	TROS	471648	44280	TROS	472012	44337	TROS	474276!	44413	TROS	50514
44217	TROS	471649!	44281	TROS	472015!	44338	TROS	330385!	44415	TROS	450516
442177	GMC	6270	44282S	TROS	472015!	44339	TROS	472492!	44417	TROS	471271!
44218	TROS	481650	44283	TROS	473457!	44340	TROS	473407	44418	TROS	471272!
44219	TROS	471651	44285	TROS	473461!	44341	TROS	473227	44419S	TROS	471272!
44220	TROS	471684!	44286	TROS	450307	44342S	TROS	473227	44420	TROS	473423
44222	TROS	471686	442862	WHITE	450472!	44344	TROS	450400	44421S	TROS	473423
442224	SPG	40154S	44287	TROS	410308!	44345	TROS	352541	44422	TROS	472258!
44224	TROS	470590	44288	TROS	471391!	44346	TROS	470774!	44423S	TROS	472258!
44226	TROS	472951	44289	TROS	473242	44347S	TROS	470774!	44424	TROS	450523
44226	TROS	474252	4428B	JN-MN	471820 *	44349	TROS	50405	44425	TROS	410524
44227	TROS	471688	4429	CLIN	471267!	4434RR8	SPG	5778	44426	TROS	471887
442270	NATL	412920	44290	TROS	450311	443508	WHITE	473203	44427S	TROS	474276!
44228	TROS	471689!	44291	TROS	472016	44351	TROS	470409!	44428	TROS	50528
44229S	TROS	471689!	44293	TROS	473245!	44351	TROS	50409	44429	TROS	450984
44230	TROS	471705!	4429353	CHRY	39803	44352	TROS	471424!	44430	TROS	470530!
44231	TROS	471705!	44294	TROS	472636!	44353	TROS	450412	44431	TROS	450532
44231	VIC	471224!	4429410	CHRY	39805	44354	TROS	353132	44432	TROS	450533
44232	TROS	471733	44295	C-R	417525	44355	TROS	450415	44432408	TROS	455249!
44234	TROS	470712!	44295	TROS	411394!	44356	TROS	473442!	44433	TROS	450535
44235S	TROS	470712!	44296	C-R	417525	44358	TROS	450765!	44433	TROS	471264!
44236	TROS	471744!	44297	GARLK	416891!	44360	TROS	471730	44434	TROS	450536
442369	WHITE	330385	44297	TROS	481163!	44362	TROS	450430	44434	TROS	471535!
44237	TROS	450342	44298	TROS	473475	44363	TROS	471539!	44436	TROS	414268!
44237	VIC	1209	44299	TROS	412040	44364	TROS	471138!	44438	TROS	471689!
44238	TROS	471785!	44300	TROS	472029	44366	TROS	350435	44439	TROS	474272
44239	TROS	471787!	44301	TROS	413478	44367	TROS	471341!	44440	TROS	450545
4423B	JN-MN	471766!	44302	ALLCH	476838!	44368S	TROS	471341!	444409C1	IH	43290S
44240	TROS	471795	44303	SPICE	418028	44369	TROS	471835!	44441	TROS	470625!
4424059	CHRY	223801!	44303	TROS	450326	44370S	TROS	471835!	44442	TROS	472150
44241	TROS	473211!	44304	TROS	50327	44371	TROS	50445	44443	TROS	470565!

! Industrial Size/Type *Minor Width Difference

= The U.S. customer service number is 877-4-TIMKEN. The Canadian customer service numbers are 800-565-4927 (English) and 800-565-0438 (French-Canadian).

Mfr. No.	Name	Zero Duplication or Recommended Industrial	Mfr. No.	Name	Zero Duplication or Recommended Industrial	Mfr. No.	Name	Zero Duplication or Recommended Industrial	Mfr. No.	Name	Zero Duplication or Recommended Industrial
44444	TROS	471224!	44489	HYST	415867	44530S	TROS	481443!	44568S	TROS	471652
444456	HYST	351487	44489	TROS	410737!	44531	HYST	240733	44568S	TROS	482208!
44445S	TROS	471224!	44490	HYST	415023	445312C1	IH	5112	44569	HYST	416107!
44446	TROS	471808!	44490	TROS	471862	445312C1	IH	5112S	44569	HYST	455073
44447	TROS	50560	44491	HYST	471271!	445319C1	IH	3404!	44569S	TROS	472560N!
44448	TROS	471267!	44491	TROS	470764!	44532	HYST	240731	4456B	JN-MN	470328
44449S	TROS	471267!	44491	TROS	50764	44533	HERCU	240119	4456B	JN-MN	481213!
44450	HYST	415294!	44492	HYST	472924!	44533	HYST	240119	4456D5	WHITE	470565!
44450	TROS	412027	44493	HYST	455375=	44533	TROS	481792	44570	HYST	416666
44451	TROS	413246	44493	TROS	471633!	44534	HYST	473413	44570S	TROS	471141!
44452	HYST	473460	44494	TROS	471195!	44534S	TROS	471571	44571S	TROS	471354!
44453	HYST	417562	44495	HYST	472144!	44535	HYST	416271!	44575TA	TRSCM	471525
44454	HYST	417474	44496	HYST	470898	44535S	TROS	451078!	4457B	JN-MN	471750!
44454	TROS	450588	44496	TROS	480889	44536	HYST	416775	44587	TROS	323138!
44455	GARLK	416888!	44497	HYST	471766!	44537	HYST	471413!	44589	AMC	471141!
44455	HYST	50501	44497	TROS	450803	44537	MINNM	415449!	4458B	JN-MN	470712!
44456	HYST	351487	44498	GARLK	416892!	44537	OLIVE	415449!	4458VGR	SPG	472324
44457	HYST	417254	44498	HYST	471271!	44537	TROS	471413	4459B	JN-MN	473231
44457	TROS	470596	44498S	TROS	470806	44538	HYST	6270	446	C-R	473452
44458	HYST	473242	44499	HYST	473435	44538S	TROS	472213	4460B	JN-MN	473474
44459	HYST	417205!	44499	TROS	450808	44539	HYST	5401	44625	GARLK	415138!
44459	TROS	450604	444GC1110	MACK	473117N=	44540	HYST	411330!	44626	GRAY	470334!
4445B	JN-MN	415995!	44500	HYST	40520S	44540	TROS	481568!	4462RX	SPG	4462N
44460	HYST	416666	44501	HYST	417181!	44542	HYST	200851	4463B	JN-MN	415025
44460S	TROS	450604	44501	TROS	473380	44542	TROS	482253	4463LPD	JN-MN	415025
44461	HYST	417254	44502	TROS	450819	44544S	TROS	473243	4463LUP	JN-MN	415025*
44461	TROS	470390	44503	HYST	472164!	445450	IH	473463	44645	GARLK	417247!
4446143	FORD	240733	44504	HYST	455509	44546	HYST	411330!	446479C1	IH	415379!
44463	HYST	50081	44504S	TROS	470898	44546	TROS	451948	4464B	JN-MN	417485
4446411	CHRYS	710046	44505	DANA	710413	44547	HYST	417507!	446508C1	IH	3894V
4446452	FORD	471271=	44505	HYST	6270	44547	HYST	417507!	446510A	HARWA	44X65X10!
44465	TROS	450621	44505	SPICE	710413	44547	TROS	473244	4465B	JN-MN	472179
44466	TROS	470625!	44505	TROS	473203	44548	HYST	415027	4465LUP	JN-MN	472179
44467S	TROS	413248	44506	DANA	710414	44548	HYST	415027!	446GC1112	MACK	471354=
44468	HYST	415146!	44506	SPICE	710414	44548	TROS	474253	446GC1113	MACK	471354=
44468	HYST	415991	44506	TROS	450869	44549S	TROS	471570!	446GC1115	MACK	417433\$
44468	TROS	473420	44507	HYST	40555	4454E	GOODM	416107!	446GC1115	MACK	5609
44469	HYST	416229	44507	HYST	40555S!	4454E	GOODM	455073	446GC1116	MACK	417433=
4446A	HERCU	472394	44507	TROS	50883=	44551S	TROS	481073	446GC112	MACK	471354=
44470	C-R	55501=	44508	HYST	365008	44552	HYST	411253!	446GC1127	MACK	417082=
44470	HYST	416404!	44509	HYST	45827S	44552S	TROS	451143	446GC1204	MACK	473117N=
44470	TROS	50631	44510	HYST	450400	44553	HYST	415725!	446GC132	MACK	471267!
44471	HYST	473367	44511	TROS	413479	44553S	TROS	473405	446GC148	MACK	425RR
44471	TROS	471276	44512	HYST	415449!	44554	HYST	471633!	446GC155	MACK	425RR
44472	HYST	416282	44513	HYST	415995!	44554S	TROS	471570!	446GC181	MACK	100494
44472	TROS	472475	44513	TROS	473237!	44555	HYST	350974!	446GC181	MACK	476470!
44473	TROS	450639	44514	HYST	473475	44555	TROS	473228	446GC2116	MACK	904229
44475	HYST	471413!	44515	HYST	451948	44556	AMC	473459	446GC218	MACK	39807
44475	TROS	470645	44515S	TROS	471736	44556	HYST	7105S	446GC235	MACK	5645
44476	HYST	345448	44517	HYST	240735	44556S	TROS	473466	446GC235B	MACK	4165V=
44476	TROS	481073	44517S	TROS	471646!	44557	HYST	415960!	446GC238	MACK	2297V!
44477	HYST	473232!	44518	HYST	470764!	44557S	TROS	410308!	446GC264	MACK	417433
44478	HYST	455079!	44518	HYST	50764	44558	HYST	200752	446GC310	MACK	39807
44478	TROS	450655=	44519	HYST	55386	44558	TROS	470898	446GC310P11	MACK	39807
44479	HYST	416664!	44519S	TROS	471564	44559	HYST	410737!	446GC310P2	MACK	417433
4447A	HERCU	473232	4451B	JN-MN	417349	44559	TROS	472354!	446GC312	MACK	BS40446
44480	HYST	473367!	44520	HYST	470565!	44560	HYST	417298	446GC313	MACK	924404
44480	HYST	473367	44521	HYST	416404!	44560	TROS	450398	446GC317	MACK	39920
44480S	TROS	472020	44521	TROS	410987!	44560	TROS	471267!	446GC321	MACK	471255
44481	HYST	470530!	44522	HYST	415551	44561	HYST	417501	446GCA310P2	MACK	5609
44481	TROS	471737	44522	TROS	473474	44561S	TROS	471270!	446GCA310PZ	MACK	5609
44482	HYST	472179	44523	HYST	472150	44562	HYST	474272	446GCX157	MACK	471354=
44482	TROS	410737!	44523S	TROS	480630!	44562S	TROS	480630!	446GCX169	MACK	471224!
44483	HYST	240736	44524	TROS	474256	44563	HYST	415960	44701	WALKE	471267!
44484	HYST	416154!	44525	HYST	415072	44563S	TROS	323138!	4470365	AMC	PSK-1
44484	TROS	474279N	44526	HYST	416865!	44564S	TROS	470565!	4470B	JN-MN	415058
44485S	TROS	472018	44526	TROS	472185!	44565	HYST	416077	4470VD	SPG	416404!
44486	HYST	411253!	44527	HYST	417601	44566	HYST	470625!	44711	VIC	474260
44486	TROS	471984	44528	HYST	415482	44566	TROS	471224!	44716	AMC	473467!
44487	HYST	415146!	44529	HYST	472397!	44567	HYST	472164!	447290	WHITE	5494
44487	HYST	415991	4452SH	JN-MN	455194*	44567S	TROS	450911N!	447291A	COC	7376=
44487	TROS	473240!	44530	HYST	415302	44568	HYST	470565!	447291A	WHITE	7376=

! Industrial Size/Type * Minor Width Difference \$ F-M Number Is Part Of A Kit
 = The U.S. customer service number is 877-4-TIMKEN. The Canadian customer service numbers are 800-565-4927 (English) and 800-565-0438 (French-Canadian).

NUMERICAL INTERCHANGE

Mfr. No.	Name	Zero Duplication or Recommended Industrial	Mfr. No.	Name	Zero Duplication or Recommended Industrial	Mfr. No.	Name	Zero Duplication or Recommended Industrial	Mfr. No.	Name	Zero Duplication or Recommended Industrial
447292	WHITE	7378	44930	C-R	416888!	44X72X10SC TRSCM	44X72X10!	45010	C-R		416888
4472B	JN-MN	417298	449310	C-R	415085!	44X72X10TC TRSCM	44X72X10!	45010	TROS		455008
4473B	JN-MN	417606*	449310	C-R	456648	4500 GOODM	416154!	450100	NATL		410694*
4474B	JN-MN	416154!*	449312	C-R	417191	45000 TROS	417073	450102	NATL		410102
447551C91	IH	370036A	449312	C-R	455165!	450005 NATL	471526	450109	SPG		473441
447551C91	IH	370349A	449312M1	C-R	417191	450006 SPG	471530	45011	SPG		43086S
447559C91	IH	370007A	449312M1	C-R	455165!	450007 NATL	471281!	450118	NATL		473449!
447560C91	IH	370008A	449313	WHITE	5494\$	450008 NATL	471532	45011D	IH		472924!
447561C91	IH	370001A	449314	C-R	417492*	45001 TROS	415001!	45012	TROS		417485
447565C91	IH	370033A	449316	C-R	415991	450010 C-R	J712	450122	SPG		473437
447566C91	IH	370023A	449316	C-R	455146!	450014 NATL	471472	450129	SPG		471735
4475B	JN-MN	418028	449316M1	C-R	415991	450016 SPG	471535!	450129	NATL		472826
4475B	JN-MN	455137!	449316M1	C-R	455146!	450017 SPG	473405	45013	SPG		45013S
4476B	JN-MN	456105	449316Q6	C-R	415991	450018 NATL	471264	45013	TROS		415995!
44774	AMC	470530!	449316Q6	C-R	455146!	450019 NATL	471549!	450136	NATL		470625!*
4477B	JN-MN	476470	449318	C-R	415498	45002 TROS	415988	450137	NATL		471529
44793	GMC	471705!	449318M1	C-R	415498	450021 NATL	471551!	450138	NATL		473459
4482	ALOY	2081	44932	C-R	55141	450022 SPG	471558	450139	NATL		472234
4482	ALOY	416921!*	449320	C-R	415389	450024 SPG	481073	45014	TROS		416654!
448236C1	IH	415035	449322	C-R	416919	4500266 TW-CO	6465	450140	NATL		471413!
44830810	TROS	416024	44934	C-R	417172	450027 NATL	471554	4501424	ALLCH		416888!
44833210	TROS	415437	44934M1	C-R	417172	450027SSR SPG	471554!	450144	NATL		473226
44834010	TROS	415937!	44936	C-R	455336	45003 TROS	415458	450145	NATL		473460
4483456	CHRY	5106	44936M1	C-R	455336	4500305 ALLCH	416888!	4501458	ALLCH		471765!
44834807.75	TROS	415379	44938	C-R	418028	4500307 ALLCH	472439	4501459	ALLCH		473426
44834807.75	TROS	415379!	44938	C-R	455137!	4500309 ALLCH	471442!	4501464	ALLCH		471466!
44834807.75C	TROS	415379!	44938M1	C-R	418028	450033 NATL	470033	45015	TROS		415995!
44834808	TROS	415379!	44938M1	C-R	455137!	450034 NATL	474273	450152	NATL		473205!
44834808	TROS	415379	4493M1	C-R	415088	450035 SPG	473412	450153	SPG		472287!
44834810	TROS	415379	4493M1	C-R	415088!	450037 NATL	471137	450155	C-R		471760
44834810	TROS	415379!	4494	UNIVE	5452	450039 NATL	450039	450155	NATL		473447
44834814	TROS	415379	449425M1	MASSE	JV933	45004 NATL	46997S	450157	SPG		471760
44835610	TROS	417210!	44952	C-R	416888!	45004 TROS	46997S	450158	NATL		471762!
4485	ALOY	8974S	44959	C-R	416888!	450041 NATL	450593	450160	NATL		471763
4485691	AMC	8549S	4496	ALOY	8792S	450042 TW-CO	6465	450162	NATL		471765
4485B	JN-MN	415234!*	44960	C-R	416888!	450045 NATL	476838	450163	NATL		471766
4486	GRAY	473464!	44963	C-R	416888	450046 SPG	473428	450164	SPG		473424!
4486	GRAY	473464	44964	C-R	416888	450047 NATL	473426	450167	SPG		473212!
4486111	CHRY	710501	44966	C-R	416888	450049 NATL	471750	450169	NATL		473214
4486140	AMC	313842	44967	C-R	416888!	45005 TROS	417316!	4501690659AM	CHALL		370020A
4486141	AMC	474131	44967	C-R	416888*	450050 SPG	470050	45016S	TROS		415995!
448644C91	IH	370131A	44968	C-R	416888!*	4500504 ALLCH	416888!	45017	TROS		417487
4487B	JN-MN	417210!	44969	C-R	416888!	450051 NATL	473427	450171	NATL		473016!
4488330	AMC	480821!	4496B	JN-MN	415036	450052 NATL	471354!	450179	SPG		473421
44895	DANA	5778V	44970	C-R	416888!	450055 NATL	473215!	45018	TROS		473467
4489VAO	SPG	713750	44971	C-R	416888!	450055N NATL	473215	450180	SPG		473435
4489VX	SPG	4489V=	44972	C-R	416888!	450057 NATL	473225!	450182	NATL		471747!
4489VX	SPG	713750	44973	C-R	416888=	450058 SPG	473438	450184	NATL		471571
4489VXO	SPG	714489	44975	C-R	416888!	45006 TROS	455005	450185	WMG		6828S
4489VXR	SPG	4489V=	44975	WAYNE	471730	450061 NATL	470950!	450186	NATL		473236!
4489VXR	SPG	713750	44976	C-R	416888!	450061 NATL	6241S	450187	NATL		471619!
448A32809	TROS	455858	4498	ALOY	8835S	450062 NATL	474264	450189	NATL		471692
448WL316-M1	C-R	415991	4499	ALOY	8460N	450063 NATL	471820	45019	TROS		416288!
448WL316-M1	C-R	455146!	4499B	JN-MN	470565!*	450064 NATL	471821	450190	SPG		410190
44900	VIC	1110	449BM318-L	C-R	415498*	450066 NATL	473367	45020	TROS		456105
44908	VIC	1110	449F314	C-R	417492	45007 TROS	417344!	450202	NATL		472705!
4490B	JN-MN	55532=	449F316	C-R	415991	450071 NATL	472439	450203	SPG		481443!
44912	C-R	327303!	449FM314	C-R	417492	450072 SPG	481864	450205	SPG		471579
44913	C-R	327303	449FM316	C-R	415991!	450074 SPG	474265	450208	NATL		451583!
44915	C-R	327303	449FM316	C-R	415991	450077 NATL	474281!	45021	TROS		476470
44916	C-R	417507	449FM38	C-R	418028	450080 SPG	473446	450210	SPG		480210!
4491713	TEREL	415379	449W312-M1	C-R	417191	450084 NATL	450084=	450211	NATL		471643
4491713	TEREL	415379!	449W312-M1	C-R	455165!	450086 SPG	470086	450213	SPG		471645
44919	C-R	370124A	449W34	C-R	417172	450088 NATL	470088	450215	NATL		471646
4491B	JN-MN	417601	44G	OSHKO	415960!	45008S TROS	417344!	450217	SPG		471647
44920	C-R	417530	44X60X10SC	TRSCM	44X60X10!	45009 TROS	415007	450218	SPG		471648
44922	C-R	370124A	44X60X10TC	TRSCM	44X60X10!	450092 NATL	473458!	450219	NATL		471649
449228	C-R	455144	44X62X8SC	TRSCM	44X62X8!	450093B SPG	712130	45022	TROS		455019!
449230	C-R	455356	44X62X8TC	TRSCM	44X62X8!	450094B SPG	712131	450221	SPG		471651
44924	C-R	370124A	44X65X10	SIMRT	44X65X10!	450094RAR SPG	473462	450222	NATL		471684!
4493	C-R	415088	44X65X10SC	TRSCM	44X65X10!	450097 NATL	413469!	450224	SPG		471686
4493	C-R	415088!	44X65X10TC	TRSCM	44X65X10!	450098 NATL	412943	450226	NATL		470590

! Industrial Size/Type *Minor Width Difference \$F-M Number Is Part Of A Kit
 =The U.S. customer service number is 877-4-TIMKEN. The Canadian customer service numbers are 800-565-4927 (English) and 800-565-0438 (French-Canadian).

Mfr. No.	Name	Zero Duplication or Recommended Industrial	Mfr. No.	Name	Zero Duplication or Recommended Industrial	Mfr. No.	Name	Zero Duplication or Recommended Industrial	Mfr. No.	Name	Zero Duplication or Recommended Industrial
450228	SPG	472951	45032	C-R	416153!*	450468	C-R	730019	450606	C-R	730008
450228	SPG	474252	450320	NATL	473475	45047	C-R	416153!	45061	AMC	473444
450229	SPG	471688	450322	NATL	412040	45047	TROS	416891!	45061	C-R	416892!
450230	C-R	455356*	450323	SPG	472029	450470	C-R	730027	45061	TROS	455056
450230	CABOT	455356	450324	SPG	413478	450471	C-R	733067	450610	SPG	470390
450230	NATL	471689	45032S	TROS	415027	450472	NATL	7751H	45062	C-R	416892!
450230M1	C-R	455356*	45032S	TROS	415027!	4504729	ALLCH	415449!	45062	TROS	417516
450232	NATL	471705!	45033	TROS	55028	450479	NATL	473445	450628	SPG	473420
450233	NATL	471733	450330	SPG	470605!	450479	WMG	472810!	45063	TROS	415058
450236	NATL	470712	450331	SPG	473452	45048	TROS	415041	45064	TROS	417238
450237	WMG	471744!	450336	NATL	474255	450481	SPG	471818	450645	NATL	470645
450239	SPG	450342	45034	C-R	417172*	450482	C-R	730034	450649	SPG	481073
45024	TROS	415021	45034	TROS	416125!	450487	NATL	470487!	45065	C-R	416892!
450245	NATL	471795	450340	NATL	450340	450489	C-R	730001	45065	TROS	415060
450247	NATL	473211!	450344	SPG	473425	45049	TROS	415138!	45065	TROS	455060
450248	NATL	473436	45035	TROS	55030	4504939	ALLCH	470898!	45066	C-R	416892!
45025	C-R	355200*	450351	NATL	471504	450495	C-R	730035	45067	TROS	415351!
45025	C-R	416888!*	450354	NATL	470354	450496	C-R	730017	4506725	ALLCH	472439
45025	TROS	455022	450355	SPG	471538!	450496VGR	SPG	450496V	45068	TROS	457588
450255	SPG	473439!	450358N	NATL	473231	450497	C-R	730004	450680	WMG	471570!
450258	NATL	482253	450358RRR	SPG	473231	450498	C-R	730030	450681	SPG	472020
45026	TROS	415023	450359	NATL	473448	450499	C-R	730003	450683	SPG	471737
450261	SPG	473466	45036	C-R	455336*	45050	TROS	415043	45069	C-R	416892!*
450262	NATL	470682	45036	TROS	416339	450502	C-R	730009	45069	TROS	417536
450265	NATL	473235!	45036	TROS	455031!	450503	NATL	470503	45070	C-R	416892!
450267	NATL	472070	450360	NATL	471870!	450504	SPG	472843	45070	TROS	415066
450268	SPG	473451!	45036M1	C-R	455336*	450505	C-R	730009	45071	TROS	456890
45027	TROS	455024	45037	TROS	471570!	4505098	CHRY	471539	450718	SPG	472018
450270	SPG	471866!	450373	NATL	451948	45051	TROS	417514	450719	NATL	471984
450272	SPG	471868	450374	NATL	411500	450519SGR	SPG	471271	45072	C-R	416892!
45028	TROS	415025	45038	C-R	418028	45051S	TROS	415035!	45072	TROS	417269!
450283	SPG	473179!	45038	C-R	455137!	45051S	TROS	415035	450720	SPG	473240!
450284	C-R	733067	45038	GOODM	418028	45052	TROS	415045!	45073	TROS	417273
450286	NATL	474274	45038	GOODM	455137!	450520	NATL	471272!	450737N	NATL	410737!
450287	C-R	733067	45038	TROS	416345!	450521	SPG	473423	45073D	IH	417344!
45029	TROS	455026	45038	TROS	455033	450522	NATL	472258!	45074	C-R	416892!
450290	C-R	733067	450381	NATL	471652	450524	SPG	410524	45074	TROS	416865!
450293	C-R	733067	4503830	ALLCH	416888!	45053	TROS	417520	450741	C-R	730003
450293	SPG	473453	45039	TROS	415034!	45054	TROS	415047	450742	C-R	730026
450295	NATL	472144!	4503M1	C-R	415088!	450541	NATL	471689	450743	C-R	730149
4502B	JN-MN	450532*	4503M1	C-R	415088	450543	NATL	474272!	450745	C-R	733067
4503	C-R	415088	45040	C-R	416153!	4505469	CHRY	472572	450746	C-R	730018
4503	C-R	415088!	45040	TROS	415035	450549	NATL	471744!	450746	NATL	471862
45030	GARLK	415725!	45040	TROS	415035!	45055	TROS	417525	450747	C-R	733067
450300	NATL	472394	450403	NATL	470774	450551	SPG	472150	450748	C-R	730016
450302	C-R	730022	45041	C-R	416153!	450552	NATL	470565!	450749	C-R	730001
450302	NATL	472012	450414	SPG	472311!	450553	NATL	471224	45075	C-R	416892!
450304	SPG	473457!	450418	SPG	473442!	450559	SPG	471808!	45075	TROS	417546!
450306	NATL	473461!	45041S	TROS	415035	45056	TROS	416892!	450751	C-R	733067
450309	NATL	471391!	45041S	TROS	415035!	450565	SPG	470565!	450751	SPG	471316
450310	SPG	473242	45042	TROS	415036	45057	TROS	417533	450752	C-R	730030
450312	C-R	417191	450421	C-R	733067	450571	NATL	412027	450755	C-R	730004
450312	C-R	455165!	450424	SPG	471730	450574	NATL	413246	450756	C-R	730020
450312	GR-DV	417191	450433	NATL	471138!	450574N	WMG	480574H	450757	C-R	730031
450312	GR-DV	455165!	450434	C-R	B299	45058	TROS	415371	45076	TROS	415072
450312N	NATL	472016	450438	NATL	472299	450580	SPG	471498	450760	C-R	730005
450314	C-R	417492	45043S	TROS	415036	450584	C-R	733067	450765	C-R	730008
450314	CABOT	417492	45044	C-R	416153!	450587	C-R	733067	450765	NATL	50421
450314	FAIRB	417492	45044	TROS	455037	45059	TROS	415138!	450766	C-R	730034
450314M1	C-R	417492	450449	NATL	471270!	450590	C-R	733067	450768	C-R	730027
450315	NATL	473245!	45045	C-R	416153!	450591	SPG	471729	450769	C-R	730022
450316	C-R	415991	45045	TROS	417512	450593	C-R	733067	45077	C-R	416892!
450316	C-R	455146!	450451	NATL	480630	450596	C-R	730018	45077	TROS	416107!
450316	GOODM	415991	450453	NATL	473224!	450596	SPG	470596	450771	TROS	455073
450316	GOODM	455146!	450454	C-R	730149	4505961	CHRY	3816	450771	C-R	730007
450316	MINMA	415991	450455	NATL	472319	450599	C-R	730026	450772	C-R	730006
450316	MINMA	455146!	450456	NATL	323125	45060	TROS	417223	450774	C-R	733067
450316G	CLARK	415991	45046	C-R	416153!	4506005	CHRY	710241	450774	SPG	470774!
450316G	CLARK	455146!	45046	TROS	417513	4506005AB	CHRY	710241	450775	C-R	733067
450316M1	C-R	415991	450464	C-R	730031	450602	C-R	730022	450776	NATL	450776
450316M1	C-R	455146!	450466	C-R	730016	450604	NATL	450604	450777	C-R	730009
45031K	ALLCH	417181!	450467	C-R	730001	450605	SPG	470605!	450778	C-R	730019

! Industrial Size/Type * Minor Width Difference

NUMERICAL INTERCHANGE

Mfr. No.	Name	Zero Duplication or Recommended Industrial	Mfr. No.	Name	Zero Duplication or Recommended Industrial	Mfr. No.	Name	Zero Duplication or Recommended Industrial	Mfr. No.	Name	Zero Duplication or Recommended Industrial
450779	C-R	730017	450CP312-M1	C-R	417191	45116	TROS	416077	45153	TROS	417621!
450779	SPG	473238!	450CP312-M1	C-R	456585	451162N	NATL	473454	451531	SPG	471281!
45078	C-R	416892!	450F38	C-R	418028	45117	TROS	415116	45155	C-R	417532
450780	C-R	730033	450FF316	C-R	345146*	45118	TROS	455117	45155	TROS	416292
450780	SPG	481397	450G316	C-R	345146	45119	TROS	415551	45157	C-R	370011A
450781	C-R	730149	450HD316	C-R	345146	451198	SPG	470774!	45157S	TROS	417488!
450781	SPG	471633!	450HD326	C-R	8370S	45120	TROS	417598	45158	C-R	370021A
450788	C-R	733067	450N38	C-R	415137!	45121	TROS	455406!	45158	TROS	417171!
45078S	TROS	416107!	450N38	C-R	418028	45121L	C-R	5797	451580	SPG	471567!
45078S	TROS	455073	450TA840	OSHKO	100495	45122	TROS	455121	451583	NATL	451583
45079	C-R	416892!	450TA840	OSHKO	476023N	45123	TROS	417602!	45159	TROS	417490
45079	TROS	415074	450W230	C-R	455356*	451235	SPG	471958	45160	C-R	370021A
450791	SPG	471466!	450W230-M1	C-R	455356	45124	TROS	455123	45160	TROS	417181!
450791S36	SPG	471466!	450W3	C-R	415088!	45125	TROS	415124	45161	TROS	417491
45080	GARLK	416865!	450W3	C-R	415088	4512559	ALLCH	416888	45162	C-R	370192A
45080	TROS	416476!	450W312	C-R	417191	45126	TROS	417022	45162	TROS	412473!
450804	C-R	730005	450W312	C-R	455165!	45127	TROS	417604	45163	TROS	417191
450805	C-R	730006	450W314	C-R	417492	451271	SPG	471271!	45163	TROS	455165!
450806	C-R	730004	450W316	C-R	415991	451272	SPG	471272!	45164	TROS	417492
450806	NATL	470806	450W316	C-R	455146!	451275RA	SPG	476470!	45165	TROS	417354!
450808	NATL	470808	450W316-M1	C-R	415991	45128	TROS	417567	45166	TROS	417493
45081	TROS	415076	450W316-M1	C-R	455146!	45129	TROS	415128	451662	NATL	471649!
450818	SPG	473380	450W34	C-R	417172*	451294	SPG	471526!	45167	TROS	417196!
45082	TROS	415077	450W36	C-R	6358	45130	GARLK	417278	45168	TROS	415711
450823	SPG	473454	450W38	C-R	418028	45130	TROS	455129	45169	TROS	416332!
45083	TROS	55078S	450W38	C-R	455137!	45131	TROS	417474	45170	TROS	415437
45084	TROS	455079!	450W38-M1	C-R	418028	45132	TROS	455134!	45170	TROS	415437!
45085	C-R	416892!	450W38-M1	C-R	455137!	451324	SPG	471255!	451700	SPG	470590
45085	TROS	455080	4510	ALOY	7934S	45133	TROS	455136	451703	SPG	471689!
45086	TROS	415082	45100	C-R	380131A	45134	TROS	418028	451706	SPG	471692!
450867	WMG	470898	45100	C-R	416892	45134	TROS	455137!	451709	NATL	471413
450868	NATL	473203	45100	TROS	411245!	45134D	IH	415449!	45171	TROS	417497
45087	TROS	416239!	45100D	IH	480210!	45135S	TROS	418028	45172	TROS	415937!
4508700	CALI	417486	4510113	JOY	7700S!	45135S	TROS	455137!	45173	TROS	417501
45088	TROS	415085!	4510141	JOY	415458!	45136	TROS	417554!	45174	TROS	415379!
45088	TROS	456648	451016	SPG	473517!	4513621	ALLCH	472439	45174	TROS	415379
45089	TROS	417487	45101S	TROS	411245!	45136215	ALLCH	472439	45175	TROS	455178=
450895	NATL	471554	45102	C-R	370131A	45137	TROS	55141	45176	TROS	417210!
45090	TROS	55087=	45102	C-R	380131A	45138	TROS	415142	45177	TROS	417498
450904	SPG	413479	45102	TROS	415302	451385	SPG	473407	45178	C-R	55539*=
450911N	NATL	450911N	451024	NATL	471653	45139	TROS	455144	45178	TROS	417355!
450911SSR	SPG	450911N!	45103	C-R	370131A	45140	C-R	416070	4517LA	JN-MN	472439*
45092	TROS	415090	45103	C-R	380131A	45140	TROS	417172	45180	C-R	55539=
450929	NATL	473237!	45103	TROS	416282	45141	TROS	415991	45180	TROS	417205!
45093	C-R	370021A	45104	C-R	417531	45141	TROS	455146!	45182	TROS	417211!
45093	C-R	380131A	45104	TROS	415645!	451414	SPG	412473!	45183	TROS	417967!
45093	C-R	417506	45104	TROS	455104	451424	ALLCH	416888!	45184	TROS	415187
45093	TROS	416167!	45104D	IH	415960	45142S	TROS	415991	45185	TROS	417356!
45094	TROS	417596	45105	C-R	370131A	45142S	TROS	455146!	45185	TROS	455188
450948	SPG	471736	45105	C-R	380131A	45143	TROS	415449!	451858	SPG	451469
45095	C-R	370124A	45105	C-R	416892	451446	WHITE	480630	45186	TROS	455191
45095	C-R	380069A	45105	TROS	415938	45144S	TROS	415449!	45187	SPG	45187S
45095	C-R	416892	451060	SPG	481792	45145	TROS	417366!	451879	SPG	470334!
45096	TROS	411376!	45106S	TROS	415938	451456	NATL	472475	45188	TROS	55193=
45096S	TROS	411376!	45107	C-R	417531	451458	ALLCH	471765!	451883	SPG	471870!
45097	C-R	416892	451078	NATL	451078=	451459	ALLCH	473426	45189	TROS	455194
45097	TROS	416444	45108	C-R	416892	45146	TROS	417343!	4518H	MALL	471413
450975	SPG	471564	45108	TROS	416666	451464	ALLCH	471466!	45190	TROS	472157
45098	C-R	416892	45109	C-R	416154!	45147	TROS	415150!	45190	TROS	472157!
45098	TROS	416271!	45109	TROS	457874	45148	C-R	415351!	45191	TROS	415196!
450988	NATL	473474	451091	SPG	473463	45148	TROS	455151	45192	TROS	455197N
45099	C-R	416892	45110	C-R	416154!	4514813	ALLCH	J1238=	45193	TROS	415196!
45099D	IH	450593!	45110	TROS	417562	45149	C-R	415351!	451936	SPG	473238
45099S	TROS	416271!	451100	NATL	471652	45149	TROS	417134	45194	TROS	55199=
450A312	C-R	417191	4511035	WOOL	417158!	4515	ALOY	7537S	451944	SPG	472924!
450A316	C-R	415991	45111	C-R	416154!	4515	JOHND	412119	451948	NATL	472579
450A316	C-R	415991!	45111	TROS	417563	45150	C-R	415351!	45195	TROS	416888!
450AM316	C-R	415991	45112	TROS	416229	45150	TROS	417486	45196	TROS	417509
450AM316	C-R	415991!	45113	TROS	417298	45151	C-R	415351!	45197	TROS	455203
450AMM316	C-R	415991!	451138	SPG	471138!	45151	TROS	417351!	45199	TROS	416137
450AMM316	C-R	415991	45114	TROS	455310	45152	C-R	370086A	4519LA	JN-MN	416888!
450B318	C-R	415498*	45115	TROS	455584	45152	TROS	55155=	4519LUP	JN-MN	416888!

! Industrial Size/Type *Minor Width Difference

=The U.S. customer service number is 877-4-TIMKEN. The Canadian customer service numbers are 800-565-4927 (English) and 800-565-0438 (French-Canadian).

Mfr. No.	Name	Zero Duplication or Recommended Industrial	Mfr. No.	Name	Zero Duplication or Recommended Industrial	Mfr. No.	Name	Zero Duplication or Recommended Industrial	Mfr. No.	Name	Zero Duplication or Recommended Industrial
4520	DURA	330385!	45259	VIC	5453	453181	SPG	415995!	45386	TROS	455500
45201	TROS	416149	4525VJ	SPG	4525V	453181	SPG	415995!	45387	TROS	55501=
452018	SPG	472018	4525VJ0	SPG	4525V	45319	TROS	416865	45388	TROS	455583N!
45202	TROS	417526	45261	TROS	455280	45320	TROS	417362!	45390	TROS	455509
452020	SPG	472020	45262	TROS	417349	45321	TROS	415284	45392	TROS	416130!
45203	TROS	416154!	45263	TROS	416364!	45321S	TROS	417362!	45393	TROS	417507!
45205	TROS	416158	45263	VIC	5458	45322	TROS	416664!	45393	TROS	417507
45206	TROS	417535	452636	SPG	472636!	45323S	TROS	416664!	45394S	TROS	417507!
45207	TROS	417247!	45264	TROS	416865!	45324	TROS	327303!	45394S	TROS	417507
45208	TROS	416163	45265	TROS	417602!	453244	SPG	473244!	45396	TROS	55524
45209	TROS	417539!	45266	TROS	455290	453245	SPG	473245!	45397	TROS	55532=
45210	C-R	115X135X15!*	45268	TROS	417584	453246	SPG	413246	45399	TROS	55539=
45210	C-R	710258	45269	TROS	415294!	453247	SPG	413247!	453996R91	IH	473426
45210	TROS	417267	45270S	TROS	415294!	453248	SPG	413248	45400	GARLK	415645!
45212	TROS	415219	45271	TROS	415295	45326	TROS	55367=	45401	TROS	415697!
45213	TROS	415871	45272	TROS	417082	45327	TROS	415483!	45401	TROS	455547
45215	TROS	55222=	45273	TROS	455297	45328S	TROS	415483!	45402S	TROS	415697!
452152	SPG	411394!	45274	TROS	417600	45329	TROS	417537	45402S	TROS	455547
45216	TROS	55223=	45275	TROS	417601	45330	TROS	455375=	45403	TROS	55548
452164N	NATL	472164!	45276	TROS	55301S	45331	TROS	417541	45404	TROS	455556
45217	TROS	55224=	45277	TROS	476470	45332	TROS	415284	45405	TROS	415559
45218	TROS	417020	45278	TROS	415991	45333S	TROS	415284	45406	TROS	417433
45219	TROS	415227!	45278	TROS	455146!	45334	TROS	415379!	45407	TROS	455566
45220	C-R	115X140X12	45279	TROS	455308	45334	TROS	415379	45408S	TROS	417506
45220	TROS	55228=	4528	SPG	1174	45335S	TROS	415379	45409S	TROS	455576!
45220S	TROS	5487	4528	SPG	38X52X8.5!	45335S	TROS	415379!	45410	TROS	415577
45221	TROS	415482	45280	C-R	710372	45337	TROS	416956	45412	TROS	456618
45222	C-R	115X140X12V	45280	TROS	55309=	45338S	TROS	416956	454136RRR	SPG	454136N
45222	TROS	416153!	45281	TROS	455310	45339	TROS	475384	45415	TROS	416070
452222	NATL	452222=	45282	TROS	455311	45340	TROS	55386	45418	TROS	55611=
45223	C-R	115X140X12!	45283	TROS	417278	45341	TROS	415389	45419	TROS	455612=
45223	TROS	417538	45285	TROS	415984!	45343	TROS	55392=	45420	TROS	416294!
45224	TROS	415234!	452867R91	IH	40059S	45344	TROS	417511	45421	TROS	455614
45225	C-R	115X140X12!*	45287	C-R	100X130X12!	45345	TROS	415394	45422	TROS	416024
45225	TROS	55236	45287	TROS	415317	45346	TROS	417549!	45425	TROS	415371
45226	TROS	55238	45288	TROS	417542	45347	TROS	455396	45426	TROS	55646=
452267	NATL	482267	45289	TROS	417495	45348	TROS	455397	45429	TROS	455655!
45228	TROS	55242	45290	C-R	115X160X15*	45349	TROS	455402=	45432	TROS	412473!
45229	TROS	417481	45290	TROS	455321	4534B	JN-MN	470764!	45433	TROS	415683
45230	C-R	115X145X13!*	45291	TROS	417484!	4534B	JN-MN	50764	45433214	TROS	370001A
45230	C-R	115X145X15*	45292	TROS	417532	45350	GARLK	417358	45434	TROS	455685
45231	TROS	416919	452920	SPG	412920!	45350	TROS	417551	45436	TROS	55692=
45233	C-R	115X145X14!	45296	TROS	455330!	45352	TROS	417492	45437S	TROS	416364!
45233	TROS	412861	45297	TROS	417191	45354	TROS	55431=	45440	TROS	416071
45234	TROS	455249!	45297	TROS	456585	45355	TROS	455434	45443	TROS	455820
45235	TROS	415303!	45298	TROS	55333=	45357	TROS	415437	45445	TROS	410825
45236	TROS	455251H	45300	TROS	455336	45358	TROS	55441=	45448	TROS	417604
45237S	TROS	455251H	45301	TROS	55337	45359	TROS	415442!	45449	TROS	455858
45238	TROS	455253	45302	TROS	415991	45359	TROS	55442	45450	GARLK	417359
45238	VIC	5414	45302	TROS	455146!	45361	TROS	415447	45450S	TROS	415379!
45239	TROS	415254	45304	TROS	417494	45362	TROS	417597	45451	TROS	417550
45239	VIC	5414	453062	SPG	472644	45363	TROS	455576!	45452S	TROS	415458
4524	ALOY	7412S	45307	ALLCH	472439	45364	TROS	455462	45453	TROS	415960
45240	TROS	417198	45308	TROS	417159	45366	TROS	55469	45454	TROS	416921!
45242	TROS	417252	45309	ALLCH	471442!	45367	TROS	455471	45455	TROS	411376!
452424C1	IH	100495	45309	TROS	415349	45368	TROS	455472=	45456	TROS	415027!
452424C1	IH	476023N	45310	GARLK	417262!	45369	TROS	417518	45456	TROS	415027
45243	TROS	415259!	45310	TROS	415350	45371	TROS	455476	45457	TROS	417556
45244	TROS	455260	45311	TROS	55353	45372	TROS	417350!	45458S	TROS	417621!
45247	TROS	415263	45312	TROS	416404!	45373	TROS	455480!	45459	TROS	417488!
45248	TROS	415867	4531216AB	CHRY	7300S	45374S	TROS	455480!	45460	TROS	417357
45249	TROS	416865!	4531225	CHRY	331227H	45375	TROS	417543	45460	TROS	455192!
45250	C-R	115X150X12	45313	TROS	416404!	45376	TROS	415482	45461	TROS	417606
45252	C-R	115X150X12!	45314S	TROS	416404!	45378S	TROS	415937!	45462	TROS	6985
45252	TROS	55268	45315	TROS	455356	45379	TROS	417555!	45463	TROS	41081S=
45254	TROS	417605	453157	WHITE	733111	45381	TROS	417548	45465	TROS	6864S
45255	TROS	415725!	453166	NATL	350974!	45382S	TROS	417548	45466S	TROS	370019A
452554	NATL	474276	453169	SPG	473224!	45383	TROS	415498	45467	TROS	417570
452559	SPG	472475	45317	TROS	55357	453830	ALLCH	416888!	454704C1	IH	710007
45256	TROS	416706!	453170	SPG	473016!	45383A	HERCU	45637S	454705C1	IH	711553
45257	TROS	417254	453171	SPG	473440	45384S	TROS	415498	454706C1	IH	710006
45259	TROS	55276=	45318	TROS	55358=	45385	TROS	418029!	454707C91	IH	410987!

! Industrial Size/Type * Minor Width Difference

= The U.S. customer service number is 877-4-TIMKEN. The Canadian customer service numbers are 800-565-4927 (English) and 800-565-0438 (French-Canadian).

NUMERICAL INTERCHANGE

Zero Duplication or Recommended Industrial		Zero Duplication or Recommended Industrial		Zero Duplication or Recommended Industrial		Zero Duplication or Recommended Industrial	
Mfr. No.	Name	Mfr. No.	Name	Mfr. No.	Name	Mfr. No.	Name
454707C91 IH	450686	455109 NATL	417562	455248 SPG	412861	455473 NATL	417518
45471 TROS	416102	455111 NATL	416229	455249 NATL	455249	455479 WMG	417350!
454729 ALLCH	415449!	455111SSR SPG	416229	45525 SPG	45525S	455480 NATL	455480 =
45472S TROS	416288!	455114 SPG	455584	455250 SPG	415303!	455480V SPG	455480
45473S TROS	416865!	455121VGR SPG	455121	455254 SPG	415254	455483 SPG	415483
454755C1 IH	711553	455122 SPG	417602!	455255 SPG	417198	455486 SPG	415937!
45475S TROS	455189	455126 SPG	417604	455258 SPG	417252	455487 SPG	417555!
45476S TROS	415196!	455128 SPG	415128	455258R91 IH	41013S	455489 SPG	417603!
45477S TROS	416153!	455130 SPG	417474	455259 SPG	415259!	455495 SPG	417547
45478 TROS	417484!	455134 NATL	455134 =	455262 SPG	417496	455498 SPG	415498
45478S TROS	417484!	455137 NATL	416888	455263 NATL	415263	45550 C-R	417533
4548RPD JN-MN	55316 * =	455138 SPG	415138!	455265 SPG	456305	455500 NATL	455500
455000 NATL	417073	455140 SPG	417554!	455270 SPG	417605	455502 SPG	455583N!
455001 C-R	AR5	455142 SPG	415142	455271 NATL	415725!	45551 C-R	417533
455002 NATL	415988	455145 NATL	417172	455273 SPG	417254	455511 NATL	2081
455007 NATL	415007	455148 SPG	417366!	455281 NATL	417349	455512 SPG	416130!
455016 NATL	416288!	455149 SPG	417343!	455282 NATL	416364!	455513SSR SPG	417507
455017 NATL	456105	455150 NATL	415150!	455295 SPG	415295	455513SSR SPG	417507!
455019 NATL	455019 =	455152 SPG	417134	455296 SPG	417082	455517 SPG	416364!
455021 SPG	415021	455153 NATL	417486	455299 SPG	417600	45554S TROS	471570!
455023 SPG	415023	455156 NATL	417621!	455300 NATL	417601	45555 TROS	473228
455024 C-R	AR22	455158 NATL	417488!	455301SSR SPG	55301S	455551 NATL	415551
455025 NATL	415025	455160 SPG	417171!	455303 SPG	415303!	455559 SPG	415559
455026C1 IH	471224!	455161 SPG	417490	455304 SPG	476470	45555TA TRSCM	416888!
455029 NATL	416125!	455162 NATL	417181!	455309 CLARK	472179	455575 SPG	417506
455031 C-R	AR12	455162 SPG	417181!	45531 SPG	45031S	455576 NATL	455576 =
455032 NATL	455032	455163 SPG	417491	455312 SPG	417491	455577 SPG	415577
455034 C-R	AR10!	455164 SPG	412473!	455315 NATL	415984!	455583N NATL	455583N
455035460 WMG	415035	455164S SPG	412473!	455318 SPG	417542	455583SSR SPG	455583N!
455036 NATL	415036	455164S60 SPG	412473!	455319 SPG	417495	45560 C-R	457585!
455039 SPG	417513	455166 SPG	417492	45531S SPG	45031S	455601 SPG	416070
45504 ALLCH	416888!	455168 SPG	417354!	455325 SPG	417532	455613 SPG	416294!
455040 NATL	416891!	455170 NATL	417196!	455330 NATL	455330 =	455615 NATL	418028
455040 SPG	416891!	455172 NATL	416332!	455341 SPG	417494	455615 NATL	455137!
455041 NATL	415041	455172N NATL	416332!	455342 SPG	417531	455618 SPG	416029N!
455044 SPG	417514	455172N NATL	455172	455347 NATL	417159	45561D IH	470530!
455045 SPG	415045!	455174 SPG	417497	45534TA TRSCM	417530	455645 SPG	415645!
455046 SPG	417520	455175 SPG	415937!	455350 SPG	415350	45564SA TRSCM	416153
455047 SPG	415047	455177 NATL	415379!	455354 NATL	416404!	455655 NATL	455655 =
455049 NATL	416892!	455177 NATL	415379	455370 SPG	417537	455659 SPG	416267!
455053 NATL	415138!	455181 SPG	417355!	455371 NATL	415371	455685 NATL	370131A
455054 NATL	417223	455183 NATL	417205!	455377 NATL	417541	455697 SPG	415697!
455054SSR SPG	417223	455183 SPG	417205!	455378 NATL	415284	455699 SPG	416364!
455057 SPG	417516	455185 NATL	417211!	455379V NATL	3893V	455725 SPG	415725!
455058 NATL	415058	455186 NATL	417967!	455380 SPG	410825	455728 SPG	416071
455059 SPG	417238	455186 NATL	417967 =	455383 NATL	416956	455807A HARWA	45X58X7!
455060 NATL	370019A	455196 NATL	415196!	455389 SPG	415389	455824 SPG	417258
455064 SPG	415064	455197 SPG	455197N	455393 SPG	417511	455828V SPG	455828V
455065 SPG	417536	455197SSR SPG	455197	455394 SPG	415394	455832 SPG	415832
455066 SPG	415066	455200 NATL	416888	455395 SPG	417549!	455836 SPG	415995!
455069 SPG	417273	455200SSR SPG	416888!	4553B JN-MN	473245!	455836 SPG	415995!
455070N NATL	416865	455201 SPG	417509	455406 NATL	455406 =	455854 SPG	415854
455071 NATL	417546!	455204 SPG	417515	455421 SPG	417564	455861 SPG	6635S
455072 NATL	415072	455205 SPG	416137	455423 SPG	417503	455867V SPG	415867
455074 SPG	415074	455206 SPG	416144	455437 NATL	415437	45587 HYST	471354!
455079 NATL	455079 =	455207 SPG	416149	455437N NATL	415437	455871 SPG	415871
455079 NATL	55079	455208 CLARK	474278!	455437RRR SPG	415437	455872 SPG	457291
455082 NATL	415082	455209 SPG	416154!	455446R91 IH	413469!	455894 SPG	412473!
455082 WMG	415082	45521 HYST	473226	455447 NATL	415447	4558B JN-MN	417600 *
455084 NATL	416239!	455211 NATL	416158	455447R91 IH	470088	455937 SPG	415937!
455090 SPG	415090	455212 SPG	417535	455448R91 IH	471795	455953 NATL	415035
455094 NATL	416444	455213 NATL	417247!	455449 NATL	415449!	455953 NATL	415035!
455095 NATL	416271!	455214 CLARK	471570!	455449R91 IH	450593!	455953 WMG	415035!
455098 NATL	415302	455214 SPG	416163	455450R91 IH	473463	455960 SPG	415960
4550A DIA	471689!	455217 SPG	417267	455451R91 IH	471466!	455963H NATL	415379!
4550A HERCU	471689!	455219 SPG	415219	455452 SPG	417597	455963H SPG	415379!
4550B JN-MN	417621!	455225 SPG	417020	455452R91 IH	481443!	455984 SPG	415984!
455105 NATL	415938	455233 SPG	417538	455453R91 IH	471827!	455D6 WHITE	6635S
455106 NATL	417556	455234 NATL	415234!	455458 SPG	415458!	45600 C-R	417534
455107 NATL	416666	455244 NATL	417481	455460 SPG	417545	456011 SPG	417621!
455107 SPG	416666	455245 SPG	416024	455461 SPG	455576!	456026 SPG	417487
455109 C-R	AR20	455247 SPG	417540	455464 SPG	417550	456026 SPG	417487!

! Industrial Size/Type * Minor Width Difference

= The U.S. customer service number is 877-4-TIMKEN. The Canadian customer service numbers are 800-565-4927 (English) and 800-565-0438 (French-Canadian).

Mfr. No.	Name	Zero Duplication or Recommended Industrial	Mfr. No.	Name	Zero Duplication or Recommended Industrial	Mfr. No.	Name	Zero Duplication or Recommended Industrial	Mfr. No.	Name	Zero Duplication or Recommended Industrial
456041	SPG	416041	457050	C-R	370003A	45906	US-EL	415035!	46008	VIC	6815
456047	SPG	416332!	457096V	SPG	457096V	45906	US-EL	415035	46009	VIC	473016!
456055	VG0 SPG	456055	45710	GARLK	417361	45910	GARLK	416666	46010	VIC	473228!
4560719	MERCE	140X160X13!	457158	SPG	417158!	4592	ALOY	6936S	46011	VIC	451857
456107	SPG	416107!	457171	SPG	417171!	4592	ALOY	9845	46012	VIC	474281!
456125	SPG	416125!	457172	SPG	417172	459243C1	IH	415035	46013	VIC	472164!
456130	SPG	416130!	457181	SPG	417181!	45925	GARLK	417364	46013S	TROS	75251S
456135	SPG	416135!	457191	SPG	417191	4592B	JN-MN	481650*	46014	VIC	410308
456174	SPG	417551	457196	SPG	417196!	459322	FWD	471554!	46015	VIC	415001!
456197	CLARK	240119	457205	SPG	417205!	4594B	JN-MN	415697!	46017	VIC	417134
45620	GARLK	417254	457211	NATL	417211!	4594B	JN-MN	455547	46018	VIC	450666
45621	HYST	473226	457211	WMG	417211!	4594EL	SUL	415001!	46019	VIC	471195!
456239	SPG	416239!	457226	FMC	473232!	4596A	HERCU	471192	46020	TROS	200600
45625SA	TRSCM	415351!	457247	SPG	417247!	4596EL	SUL	416654!	46020	VIC	240733
456271	SPG	416271!	457247R	SPG	417247=	4597EL	SUL	417196!	46021	TROS	80313
456273	SPG	416273!	457254	SPG	417254	4598	ALOY	7107A=	46025	TROS	200640
456288	SPG	416288!	457262	SPG	417262!	45X58X7	SIMRT	45X58X7!	46025	VIC	204017
456292	NATL	416292	457278	SPG	417278	45X58X7SC	TRSCM	45X58X7!	46026	VIC	6759S
456294	CLARK	417267	45729	HYST	455280	45X58X7TC	TRSCM	45X58X7!	46027	VIC	340413
456294	SPG	416294!	457297	SPG	417562	45X60X10SC	TRSCM	45X60X10!	46028	VIC	473224!
4563	ALOY	411330	457316	SPG	417316!	45X60X10TC	TRSCM	45X60X10!	46030	GARLK	417365
456339	SPG	416339	45734	C-R	5751	45X60X7AN(35)	ISP	45X60X7	46030	VIC	6952S=
45634	C-R	6644	457343	SPG	417343!	45X60X8SC	TRSCM	45X60X8	460300R91	IH	471692!
45634008.5	TROS	417355!	457344	SPG	417344!	45X60X8TC	TRSCM	45X60X8	46032	VIC	323119
45634008.5	TROS	485497	457349	SPG	417349!	45X62X8SB	TRSCM	1012	46033	TROS	7208S
45634010	TROS	417355!	457350	SPG	417350!	45X62X8SB	TRSCM	1012N	46033	VIC	7886S
456345	SPG	416345!	457351	SPG	417351!	45X62X8SC	TRSCM	45X62X8!	46036	VIC	712260
456350	SPG	415034!	457352	SPG	418028	45X62X8TC	TRSCM	45X62X8!	46038	VIC	473226
45635610	TROS	417211!	457353	SPG	417353!	45X65X5TB	TRSCM	1992	46038Q6	C-R	417353!
45640004	TROS	45187S	457354	SPG	417354!	45X65X8SC	TRSCM	45X65X8!	46039	VIC	1192
456414	NATL	415991	457355	SPG	417355!	45X65X8TC	TRSCM	45X65X8!	46039	VIC	473231!
456414	NATL	455146!	457356	SPG	417356!	45X68X7SC	TRSCM	45X68X7!	46039	VIC	473231!
45645	GARLK	417247!	457357	SPG	417357	45X68X7TC	TRSCM	45X68X7!	46040	VIC	470565!
456472RA9	SPG	410825	457358	SPG	417358	45X70X10SC	TRSCM	45X70X10	46041	VIC	7537S
456476RAR	SPG	416476	457359	SPG	417359	45X70X10TC	TRSCM	45X70X10	46042	TROS	200642
456493	WHITE	473215!	457360	SPG	417360	45X72X10SC	TRSCM	45X72X10	46043	VIC	3103!
456494	NATL	417530	457361	SPG	417361	45X72X10TC	TRSCM	45X72X10	46044	VIC	451948
4564B	JN-MN	418028	457362	SPG	417362!	45X72X12SC	TRSCM	45X72X12!	46045	TROS	450040
4564B	JN-MN	455137!	457363	SPG	417363	45X72X12TC	TRSCM	45X72X12!	46046	VIC	470059
45650	GARLK	417360	457364	SPG	417364	45X72X7SC	TRSCM	45X72X7!	46046	VIC	470380!
456500	PACIF	416500!	457365	SPG	417365	45X72X7TC	TRSCM	45X72X7!	46047	TROS	473367
45652	SPICE	710453	457366	SPG	417366!	45X72X95SC	TRSCM	45X72X95	46047	VIC	40185
45653	SPG	45653S	4573927	CHRYSS	714655	45X72X95TC	TRSCM	45X72X95	46048	TROS	473228!
456556	SPG	416556!	457461	WHITE	6513	45X75X7SC	TRSCM	45X75X7!	46048	VIC	6960
456556	SPG	472157	45750	C-R	457585	45X75X7TC	TRSCM	45X75X7!	46049	VIC	471829
456618	NATL	370023A	4576	DURA	476838!	45X75X8SB	TRSCM	1979	46050	GARLK	415072
456618	WMG	370023A	45788	VICK	450545	45X80X10SC	TRSCM	45X80X10	46050PM	VIC	417158!
456618-S61	IH	370023A	457FF2-L	C-R	6465	45X80X10TC	TRSCM	45X80X10	46052	VIC	415899N
456624	SPG	416624!	4580562	RCA	471571	45X85X10	SIMRT	45X85X10	46052	VIC	416624
456664	SPG	416664!	4580563	RCA	415379!	45X85X10SC	TRSCM	45X85X10	46052M4	VIC	416624
456666	SPG	416666	4580563	RCA	415379!	45X85X10TC	TRSCM	45X85X10	46053	TROS	472287!
45667D	IH	471442!	4580566	RCA	470625!	45X85X13SC	TRSCM	45X85X13	46053	VIC	5778
45670	DANA	473227	4580567	RCA	415449!	45X85X13TC	TRSCM	45X85X13	46055	TROS	473010!
4567809	CHRYSS	4889=	458111C1	IH	481181!	460-6001	STEM	475003N+99262	46055	VIC	472560N!
4567811	CHRYSS	4890=	458112C1	IH	412871!	460-6002	STEM	9773+99262	46057	VIC	5589S
456865	SPG	416865!	45816	EATON	415458!	460-6003	STEM	416500	46057	VIC	6957=
456888	SPG	416888!	45825	SPG	45825S	460-6004	STEM	475322N+99274	46058	TROS	415449!
456891	SPG	416891!	45827	SPG	45827S	460-6005	STEM	475009N+99274	46058	VIC	253099
456892	SPG	416892!	458428	IH	415995!	460-6006	STEM	475012N+99293	46058	VIC	471652
4568R	JN-MN	472150*	45850	GARLK	417362!	460-6007	STEM	415013N+99300	46058	VIC	482208!
4569	ALOY	416273	458510A	HARWA	45X85X10	460-6008	STEM	476283N+99274	46060	C-R	710089
456919VGR	SPG	416919	4585OS	JN-MN	470059	460-6009	STEM	475458+99262	46060	TROS	417344!
456921	SPG	416921!	4585OS	JN-MN	470380!	460-6011	STEM	415304+99324!	46060	VIC	6840S
45699	C-R	370006A	45866	SPICE	710430	460-6012	STEM	415086N+99300!	46061	VIC	472015!
45699	C-R	380003A	4587B	JN-MN	450639*	460-6013	STEM	415004+99274	46062	VIC	471829
456A34010	TROS	417355!	4587LUP	JN-MN	450639	46000	VIC	41081S=	46063	VIC	471442!
456FF2-L	C-R	6465	458858	GMC	8622	46002	TROS	471192	46065	DANA	710429
45701K	TROS	5401	458859	GMC	8622	46002	VIC	6626S	46065	TROS	416444
45702D	IH	473214	45890	GARLK	417363	46003	VIC	415302	46065	VIC	473234!
45705	C-R	370003A	458925R91	IH	203006!	46004	SPICE	9864S	46066	DANA	710428
45705	C-R	386025A	4589A	HERCU	473238	46006	VIC	6636S	46068	TROS	415379
45705	C-R	416158	4589EL	SUL	415995!	46007	VIC	476470	46068	VIC	7994S

! Industrial Size/Type * Minor Width Difference \$F-M Number Is Part Of A Kit
 = The U.S. customer service number is 877-4-TIMKEN. The Canadian customer service numbers are 800-565-4927 (English) and 800-565-0438 (French-Canadian).

NUMERICAL INTERCHANGE

Zero Duplication or Recommended Industrial		Zero Duplication or Recommended Industrial		Zero Duplication or Recommended Industrial		Zero Duplication or Recommended Industrial		
Mfr. No.	Name	Mfr. No.	Name	Mfr. No.	Name	Mfr. No.	Name	
46070	VIC	473231!	46130	VIC	473317	4624N	WMG	4624V
46073	VIC	473224	46131	VIC	7686S	4624VX8	SPG	4624V
46076	VIC	205017	461312M1	C-R	417354!*	46250	VIC	417316!
46077	VIC	340771	46132	VIC	472705!	46251	VIC	415449!
46078	VIC	474278!	46133	VIC	472185!	46252	VIC	7537S
46078	VIC	6859S	46134	VIC	321460	46253	VIC	472287!
46080	VIC	473367	46135	VIC	417316!	46254	VIC	473214
46080	VIC	473367!	46136	VIC	455500	46255	VIC	450400
46081	VIC	5128N	46140	VIC	410059	46256	VIC	471538
46084	VIC	471413	46140	VIC	470059	46257	VIC	473214!
46085	VIC	710409	46140	VIC	470380!	46258	VIC	7457N
46087	VIC	416273	46140SF	VIC	470059	46260	TROS	472164!
46087	VIC	473367*	46141	VIC	473234!	46260	VIC	472354!
46087	VIC	473367	46143	VIC	7188S	46261	VIC	41257!
46089	VIC	6808N	4614392	ALLCH	455008	46263	VIC	313842
46090	VIC	9150S	46144	C-R	416156	4626515	CHRYS	7412S
46091	VIC	473467	46144	VIC	473234	4626696	CHRYS	473227
46093	VIC	7044NA	461449	ALLCH	472394	46268	VIC	471554!
46095	VIC	324941	46145	VIC	342805	46269	VIC	350877
46096	VIC	3095	461456	ALLCH	472394	46269	VIC	471633!
46097	VIC	473215!	46148	VIC	474276!	4626A	HERCU	471554!
46098	VIC	9613S	46149	VIC	471442!	46270	VIC	472394
46099	VIC	6985	46150	C-R	416156	46271	VIC	8421S
460W36-Y13	C-R	6358	46150	VIC	470605!	46272	VIC	473237!
46100	VIC	6930	4615166	ALLCH	471766!	46274	VIC	481181!
4610001	KOEH	471619!	4615167	ALLCH	471735	46276	C-R	455685
46101	TROS	40973S	46153	VIC	5072	46276	VIC	472185=
46102	VIC	472287!	46156	VIC	7044NA	46277	VIC	3103!
4610204	KOEH	470086	46157	VIC	411253!	46278	VIC	471341!
46103	VIC	471689!	46158	VIC	8362	46279	VIC	470898!
4610309	KOEH	471341!	46159	VIC	5126	46280	VIC	472560N
4610314	KOEH	410825	46160	VIC	472164!	462805	GMC	710304
4610323	KOEH	55238	46162	VIC	7216	46281	VIC	473367!
46104	VIC	323133	46163	VIC	470605!	462811	GMC	710045
4610400	KOEH	417549!	461642R91	IH	471808!	46282	VIC	352541
4610401	KOEH	415047	46165	VIC	331107N	46282D	IH	452222!
4610402	KOEH	415150!	4616570	ALLCH	415041	46283	VIC	471193!
4610409	KOEH	456105	46165S	TROS	6626S	462837	WHITE	412119
4610411	KOEH	415035!	46166	VIC	7107A=	46284	VIC	291295
4610411	KOEH	415035	46167	TROS	40576S	46285	C-R	416158
4610413	KOEH	415066	46167	VIC	7107A=	46285	VIC	7442H
4610423	KOEH	412473!	4616954	ALLCH	411253!	462857	GMC	470682
4610426	KOEH	415027	4616VJ	SPG	714616	46286	VIC	415449!
4610441	KOEH	417254	46171	VIC	323138!	462864	GMC	9316
4610502	KOEH	415072	46172	VIC	471267!	46288	VIC	205044
4610506	KOEH	415116	46173	VIC	204020	46289	VIC	473454
4610B	JN-MN	471466!	46173	VIC	204505!	46290	VIC	480581
46110	VIC	417621	46174	VIC	471763	46291	C-R	416158
4611035	WOOL	417602!	46175	VIC	311189	46291	VIC	416404!
46111	VIC	470954	46176	VIC	7412S	46292	C-R	416158
46112	VIC	470487!	46177	VIC	203006!	46292	VIC	470950!
46113	VIC	323126	46179	VIC	40316S	46292	VIC	6241S
46113	VIC	474278!	46181	HYST	50528	46293	VIC	350936
4611315	KOEH	415483	46181	VIC	417350!	46293	VIC	471854!
46114	VIC	473234!	46182	VIC	471652	46294	VIC	331301N
4611441	KOEH	415991	461823-P60	IH	JX1120	46295	C-R	416158
4611441	KOEH	455146!	46183	VIC	471341!	46296	VIC	417316
4611442	KOEH	417158!	46186	VIC	311189	46297	VIC	470530!
46115	VIC	471553!	46188	VIC	470328	46298	VIC	7934S
4611502	KOEH	416364!	46188	VIC	481213!	462W312-M1	C-R	417354!
46116	VIC	470625!	46189	VIC	417343!	462W314	C-R	417493
4611773	ALLCH	471567!	46189	C-R	415371	462W316	C-R	417196!
46117735	ALLCH	471567!	46190	VIC	6906S	462W316-M1	C-R	417196!
46120	VIC	7018N=	46190	VIC	6863S!	462W38	C-R	417353!*
46121	VIC	9568	46192	VIC	343101	463	KRSE	417343!
46122	VIC	44053	46195	VIC	471466!	46300	C-R	380023A
46123	VIC	6703S	46196	VIC	254270	46300	C-R	386025A
4612310	KOEH	412040	461964	WHITE	5473	46300	C-R	417505
4612319	KOEH	417484!	46197	VIC	471270!	46300	VIC	1037
46125	C-R	456641	461970	WHITE	5406	4630121	ALLCH	J1123
46125	VIC	470334!	46198	VIC	471652	46302	VIC	8139
46128	VIC	472287!	46199	VIC	353135	463024	GMC	473546

! Industrial Size/Type * Minor Width Difference

= The U.S. customer service number is 877-4-TIMKEN. The Canadian customer service numbers are 800-565-4927 (English) and 800-565-0438 (French-Canadian).

Mfr. No.	Name	Zero Duplication or Recommended Industrial	Mfr. No.	Name	Zero Duplication or Recommended Industrial	Mfr. No.	Name	Zero Duplication or Recommended Industrial	Mfr. No.	Name	Zero Duplication or Recommended Industrial
4630273	ALLCH	415165H=	46371	VIC	9015S	46449	VIC	7214	4667198	CHRY5	320348
46303	VIC	7607	46372	VIC	413248!	46450	VIC	476838!	4667322	CHRY5	710056
46304	C-R	416158	46373	VIC	470954!	46452	VIC	8704S	46676	VIC	415035
46305	C-R	416158	46374	VIC	410825!	46453	VIC	8974S	4667904	CHRY5	5279
46306	C-R	416158	46374	VIC	410825!	46454	VIC	471570!	4667904	CHRY5	710056
46306	VIC	240119	463748	GMC	415960	46456	VIC	8430S	466809	WHITE	6270
463064	GMC	3543	46375	VIC	472070	46457	VIC	7687S	466810	WHITE	5401
46307	VIC	471821!	46376	VIC	470954!	4646	C-R	320457	46683	HYST	417254
46307	VIC	471821*	46377	VIC	472015!	46460	VIC	9195S=	466867	WHITE	410825
46308	C-R	416158	4637776	CHRY5	714655	46461	VIC	4148	46688	VIC	416888!
46308	VIC	450472!	46377PM	VIC	472015!	46461	VIC	471424!	46689	VIC	416888!
4630820	ALLCH	472492!	46378	VIC	415458!	464633	SPICE	471271!	46690	VIC	416888!
4630856	ALLCH	413247!	46379	VIC	415995!	464634	SPICE	481181!	46691	VIC	416888!
46309	C-R	2505	46379PM	VIC	415995!	464638	SPICE	411509V*	46697	HYST	471413!
46309	VIC	482253	46380	VIC	476470!	464649	WHITE	50199S!	4670305	ALLCH	472397!
46310	VIC	481181!	46380	VIC	476470!	464649	WHITE	6863S!	467141	BENDI	340210
46313	VIC	473459	46383	VIC	471413!	46467	VIC	3945	4674B	JN-MN	473238
46314	VIC	472439	46383	VIC	7412S	46467	VIC	4131	46750	KELSE	203025
46316	VIC	473235!	46384	VIC	474281!	46469	VIC	470380!	46751	VIC	455583N!
46317	VIC	7780	46386	VIC	411253!	46469	VIC	472189A	46752	VIC	415938
46317-4-22	IH	417433=	46386SE	VIC	411253!	46470	VIC	203006!	46754	VIC	415725!
46318	VIC	40494S!	46388	VIC	415458!	46471	VIC	483054N	46754	VIC	485725H=
46318	VIC	472164	4638904	CHRY5	4370N	46473	VIC	9116S	46755	VIC	6864S
46319	VIC	417621!	4638904	CHRY5	7692S	46476	VIC	2043	46757	VIC	415379
46320	VIC	472409!	4638941	CHRY5	4370N	46477	VIC	473228!	467574	WHITE	415960
46321	VIC	51322	46390	C-R	370026A	46478	VIC	481163!	46758	VIC	327215
46322	VIC	8243	46390	VIC	474276	46481	VIC	45515!	46758	VIC	415035!
46323	VIC	471795	46392	VIC	331227H	46482	HYST	417181!	46759	VIC	415213N
46324	C-R	415064*	46393	VIC	411348	46482	VIC	8695S	4675VA8	SPG	714675
46324	VIC	473517!	46394	VIC	312140	46483	VIC	472341!	46760	TROS	5585
46325	VIC	472354!	46395	C-R	6886S	46485	DANA	4857	46761	TROS	5585
46326	VIC	417316!	46395	C-R	7700S!	46485	SPICE	4857	46761	VIC	415284
46327	VIC	473231*	46395	VIC	471652	46485-1	DANA	4857	46763	VIC	455858
46327	VIC	473231!	46396	C-R	370051A	46485-1	SPICE	4857	46765	VIC	476842
46327	VIC	710430	46396	VIC	472015!	46486	VIC	470530!	46767	VIC	415027
46328	VIC	470380!	46397	VIC	9363S	4648608	CHRY5	320249	46767	VIC	415138!
46328	VIC	9613S	46398	VIC	471538!	46487	VIC	331301N	46768	VIC	416865!
463285F	VIC	9613S	4640	C-R	320457*	46489	VIC	471272	46769	VIC	456618
4633	SPICE	472397!	46400D	IH	450065	4648B	JN-MN	471705!*	46770	VIC	415351!
46330	C-R	415064	46401	VIC	240215	464910R91	IH	473317	46773	VIC	39807
46330	VIC	472287!	46401D	IH	450260	46494	VIC	3210	46774	VIC	415697!
46331	C-R	415064	46403	VIC	472082	464967	WHITE	473460	46774	VIC	455547
46331	VIC	473237!	46404	VIC	8429S	4649B	JN-MN	450165	46776	VIC	415035
46333	VIC	417350=	46404094	FIAT	713034	4649B	JN-MN	471801!	4677B	JN-MN	471466!
46334	VIC	323119	46408	VIC	5124	4649EL	SUL	473179!	46780	VIC	416865!
46336	C-R	415064	46409	VIC	7934S	4650	C-R	320457	46780	WHITE	5403
46336	VIC	340847	4640B	JN-MN	55228* =	4650B	JN-MN	416125!	467812	WHITE	6635S
46337	VIC	340850	4641	C-R	320457*	465155C1	IH	473274	46782	VIC	415213N
46338	VIC	240735	46410	VIC	472258!	4651899	SCOT	343185	46783	VIC	415867
46340	TROS	471316	46411	SPICE	4525V	46540	TROS	410308!	467836	WHITE	733114
46340	VIC	6863S!	46411	VIC	351487	465483	GMC	710005	46784	VIC	416339
463425R91	IH	204017	46411-1	SPICE	4525V	4654F	GOODM	416666	46784	VIC	455031!
46343	VIC	471643!	46412	VIC	6863S!	4655	C-R	470004	46785	VIC	415295
46344	VIC	471554!	4641982	ALLCH	47166!	465511C91	IH	370131A	4678B	JN-MN	473445*
4634451	RFT	713156	46423	VIC	474272*	465611	WHITE	451583!	46790	C-R	415284
46346	VIC	471442!	46423	VIC	474272!	46565TA	TRSCM	416156	46790PM	VIC	416364!
46347	VIC	472311!	46424	VIC	8974S	4656F	GOODM	416666	46791	VIC	55532=
46348	VIC	471271!	464244C1	IH	710008	4658	C-R	470004	46794	VIC	415991
46349	VIC	471264!	464244C2	IH	710008	4659	C-R	470004	46795	VIC	416364!
46350	VIC	411376!	464260	WHITE	417316!	4660478	ALLCH	471689!	46795M2	VIC	416364!
46356	VIC	8429S	46431	VIC	471649!	466174R91	IH	341022	46798	VIC	416037=
46358	VIC	456837V	46431S	TROS	473179	466174R92	IH	341022	46799	VIC	417247!
46359	VIC	470954!	46432	VIC	481163!	4661872	ALLCH	473474	467F	OSHKO	411253!
46361	VIC	411500	46433	VIC	9449	46626	HYST	473234!	46800	C-R	415284
46362	VIC	40154S	46434	VIC	9178S	46626VJR	SPG	714662	46801	VIC	417600
4636502	CHRY5	710198	46435	VIC	5113	46648	DANA	5778V	46802	VIC	415379!
46366	VIC	340847	46436	VIC	8975S	46648	SPICE	5778V	46803	VIC	418028
46368	VIC	473258!	46438	VIC	8660S	46648	VIC	5778V	46804	VIC	415035!
46368	VIC	8168=	46439	VIC	8705S	4664872	ALLCH	473474	46808	VIC	455948
46369	VIC	8293S	46442	VIC	413246!	466588	WHITE	5408	46809	VIC	415035
46370	VIC	8610	46445	HYST	55501=	46661TBY	TRSCM	7700S!	46810	C-R	415284
			46447	VIC	471737	46671	HYST	416380!	46810	VIC	415035

! Industrial Size/Type * Minor Width Difference

= The U.S. customer service number is 877-4-TIMKEN. The Canadian customer service numbers are 800-565-4927 (English) and 800-565-0438 (French-Canadian).

NUMERICAL INTERCHANGE

Mfr. No.	Name	Zero Duplication or Recommended Industrial	Mfr. No.	Name	Zero Duplication or Recommended Industrial	Mfr. No.	Name	Zero Duplication or Recommended Industrial	Mfr. No.	Name	Zero Duplication or Recommended Industrial
46811	C-R	415284	4691B	JN-MN	415025 *	46977D	IH	473447	470085	SPG	470530!
46811	VIC	417357	46920	BOSTN	471267!	46978	BOSTN	473016!	470087	WVG	473313!
46811	VIC	455192!	46920	C-R	45637S *	46978D	IH	415995!	47009	BOSTN	473233!
46812	VIC	417357	46921	BOSTN	471267!	46979	BOSTN	473016!	470094	NATL	473451
46813	VIC	357302	46922	BOSTN	471570!	46979D	IH	410694!	4701	C-R	12X20X5
46813	VIC	415991	46923	BOSTN	471570!	4697B	JN-MN	471224!	47010	BOSTN	473234!
46814	VIC	415379	46924	BOSTN	471646!	46980	BOSTN	473225	47010	VIC	5115
46815	VIC	415227!	46925	BOSTN	471646!	46980D	IH	415991	47010S	TROS	45637S
46817	VIC	416273	46926	BOSTN	470590	46980D	IH	455146!	47011	BOSTN	473234!
46817PM	VIC	416125!	46927	BOSTN	470590	46981	BOSTN	473225	47011	TROS	204008
46818	VIC	415035	46928	BOSTN	471224!	46982	BOSTN	473226	470115	SPG	473467
46820	VIC	415498	46929	BOSTN	471224!	46982D	IH	481864	470119	SPG	471442!
46829	VIC	3492V	46930	BOSTN	471649!	46983	BOSTN	473226	47012	BOSTN	473235!
46831	HYST	415350	46930	C-R	45637S *	469835R91	IH	7186S	47012	VIC	471504!
468312	C-R	455249!	46931	BOSTN	471649!	46983D	IH	412119!	470120SSR	SPG	471224
468312M1	C-R	455249!	46932	BOSTN	471689!	46984	BOSTN	473227!	470121	SPG	472409!
46838	VIC	BS15868	46933	BOSTN	471689!	469844C1	IH	370150A	47012S	TROS	203003
46839	VIC	415725!	46934	BOSTN	471733	469845C1	IH	415437	47013	BOSTN	473235!
4683B	JN-MN	471649!	46935	BOSTN	471733	46984D	IH	416921!	47013	VIC	450472!
46841ST	VIC	370065A	46935	C-R	417535	46985	BOSTN	473227!	470135	SPG	471192
46842	VIC	370036A >	46936	BOSTN	471652	46986	BOSTN	470625!	470135SSR	SPG	471192
46842	VIC	370349A %	46936	BOSTN	482208!	46987	BOSTN	470625!	470136	SPG	470625!
46842ST	VIC	370036A	46937	BOSTN	471652	46988	BOSTN	470380!	47013S	TROS	203003
46842ST	VIC	370349A	46938	BOSTN	471692!	46989	BOSTN	470380!	47014	BOSTN	473236!
46843	VIC	415284	46939	BOSTN	471692!	4698B	JN-MN	473238	47014	VIC	450474
46844	VIC	455956H	4693B	JN-MN	50419	46990	BOSTN	473228!	470140RRR	SPG	471413
46844	VIC	BS40116	46940	BOSTN	470712!	46991	BOSTN	473228!	470141	SPG	470954!
46845	VIC	370036A	46941	BOSTN	470712!	46992	BOSTN	472213	470141SSR	SPG	470954
46845	VIC	370349A	46942	BOSTN	471763	46993	BOSTN	472213	47014S	TROS	203012
46846	VIC	415035!	46943	BOSTN	471763	46994	BOSTN	472299	47015	BOSTN	473236!
46847	VIC	370037A	46944	BOSTN	473203	46995	BOSTN	472299	47015	VIC	450621
46847	VIC	370338A	46945	BOSTN	473203	46996	BOSTN	473229!	47015S	TROS	203013
46848	VIC	370107A	46946	BOSTN	472475	46997	BOSTN	473229!	47016	BOSTN	473237!
46849	VIC	370027A	469461	WHITE	5471	46998	BOSTN	470682	47016	VIC	471138!
4684B	JN-MN	471413! *	46947	BOSTN	472475	46999	BOSTN	470682	470162	SPG	471765!
46850	VIC	415958!	46948	BOSTN	471765!	4699B	JN-MN	417492	470165	SPG	471801!
46850	VIC	415958	46949	BOSTN	471765!	46X65X7SC	TRSCM	46X65X7!	470169	SPG	473214!
46851	C-R	415284	4694B	JN-MN	471649!	46X65X7TC	TRSCM	46X65X7!	47016S	TROS	203016
46865	C-R	415284	46950	BOSTN	473205!	46X70X8SC	TRSCM	46X70X8!	47017	BOSTN	473237!
46871	C-R	415284	46950	C-R	417536	46X70X8TC	TRSCM	46X70X8!	47017	VIC	412920!
46876	SPERY	204008	46951	BOSTN	473205!	47000	BOSTN	473230!	47017S	TROS	203025
46876	VICK	204008	46952	BOSTN	471413!	470004	NATL	470004	47018	BOSTN	472164!
468849	WHITE	473245!	46953	BOSTN	471413!	4700052404	BUSHH	240462	470189RA	SPG	471692!
46886	SPERY	340853	46954	BOSTN	471737	47000S	TROS	240009	47018S	TROS	204002
46886	VICK	340853	46955	BOSTN	471737	47001	BOSTN	473230!	47019	BOSTN	472164!
46890	C-R	417535	46956	BOSTN	471766!	47001	VIC	474279N	47019SSR	SPG	470199
468961R91	IH	41013S	46957	BOSTN	471766!	47001S	TROS	203029	47019S	TROS	204013
46898	BOSTN	471442!	46958	BOSTN	471795	47002	BOSTN	473231!	4701RAR	SPG	4701N=
46899	BOSTN	471442!	46959	BOSTN	471795	47002	VIC	471564	4702	C-R	12X19X5
468W22-L	C-R	6077	46960	BOSTN	473210	470025SSR	SPG	471553	47020	BOSTN	472185!
46900	BOSTN	471526!	46960S	TROS	473229	47003	BOSTN	473231!	47020	VIC	416271!
46901	BOSTN	471526!	46961	BOSTN	473210	47003	VIC	471529	47020S	TROS	204017
46902	BOSTN	471472!	46962	BOSTN	473211!	470032SSR	SPG	471570	47021	BOSTN	472185!
46903	BOSTN	471472!	46963	BOSTN	473211!	470039SSR	SPG	450039	47021	TROS	205004
46904	BOSTN	471466!	46964	BOSTN	473212!	47004	BOSTN	473010!	47021	VIC	412861
46905	BOSTN	471466!	46965	BOSTN	473212!	47004	VIC	353132	470213R91	IH	472397!
46906	BOSTN	471264!	46966	BOSTN	473213!	470047	SPG	473426	47022	BOSTN	472179
46907	BOSTN	471264!	46967	BOSTN	473213!	470049	SPG	471750!	47022	VIC	455079!
46908	BOSTN	471255!	46968	BOSTN	472258!	47005	BOSTN	473010!	47023	BOSTN	472179
46908	KEN	J1401=	46969	BOSTN	472258!	47005	VIC	471267!	47023	VIC	450412
46909	BOSTN	471255!	469694	GMC	2081	470052	SPG	471354!	470236	SPG	470712!
46910	BOSTN	471564	46970	BOSTN	471192	470055	SPG	473215!	47024	BOSTN	472439
46911	BOSTN	471564	46970	C-R	417537	470059	NATL	470380!	47024	VIC	55238
46912	BOSTN	470954!	46971	BOSTN	471192	47005S	TROS	481537	470241SSR	SPG	471785
46913	BOSTN	470954!	46972	BOSTN	473214!	47006	BOSTN	473232!	470244	SPG	471787!
46914	BOSTN	471554!	46973	BOSTN	473214!	470069	SPG	473232!	470244SSR	SPG	471787
46915	BOSTN	471554!	46974	BOSTN	473215!	47006S	TROS	340771	47025	BOSTN	472439
46916	BOSTN	471567!	46975	BOSTN	473215!	47007	BOSTN	473232!	47025	TROS	205015
46917	BOSTN	471567!	46975D	IH	410102	47007	VIC	323138!	47025	VIC	475384
46917D	IH	472397!	46976	BOSTN	473224!	470070	NATL	472185!	47026	BOSTN	472572!
46918	BOSTN	471643!	46976D	IH	473215!	47008	BOSTN	473233!	47026	TROS	204020
46919	BOSTN	471643!	46977	BOSTN	473224!	47008	VIC	472354!	47026	TROS	204505!

! Industrial Size/Type *Minor Width Difference > Hub Mount % Spindle Mount
 = The U.S. customer service number is 877-4-TIMKEN. The Canadian customer service numbers are 800-565-4927 (English) and 800-565-0438 (French-Canadian).

Mfr. No.	Name	Zero Duplication or Recommended Industrial	Mfr. No.	Name	Zero Duplication or Recommended Industrial	Mfr. No.	Name	Zero Duplication or Recommended Industrial	Mfr. No.	Name	Zero Duplication or Recommended Industrial
47026	VIC	455310	470433	SPG	471138!	470625	NATL	5115	47084	BOSTN	416271!
47027	BOSTN	472572!	47043S	TROS	415984!	470625V	NATL	470625=	47084	VIC	450040
47027	TROS	205035	47044	BOSTN	472492!	47062S	TROS	240319	47084S	TROS	481443!
47027	VIC	455144	47044	VIC	471526!	47063	BOSTN	473244!	47085	BOSTN	416271!
47028	BOSTN	473238!	470441	SPG	471341!	470632	SPG	1213N	47085S	TROS	471076
47028	VIC	417350!	470444	SPG	471835!	470632	SPG	40X54X6!	47086	BOSTN	471271!
47028S	TROS	472144!	47044S	TROS	475348N	47063S	TROS	240356	47086	VIC	472287!
47029	BOSTN	473238!	47045	BOSTN	472492!	47064	BOSTN	472018	470867	SPG	470898
47029	VIC	415088	470451	SPG	480630!	47064	VIC	472924!	47087	BOSTN	471271!
47029	VIC	415088!	470452	SPG	473197	47065	BOSTN	472018	47087	SPICE	473367
47029S	TROS	210914	47045S	TROS	416404!	47065	VIC	473467*	47087	VIC	473367*
47030	BOSTN	473239!	47046	BOSTN	472924!	47065	VIC	473467!	47087	VIC	473367!
47030	VIC	455500	470460SSR	SPG	470460	470650	SPG	472705!	470877	SPG	471633!
470304	NATL	473457!*	47046S	TROS	415498	47065S	TROS	6703S	47087S	TROS	470530!
470304SSR	NATL	473457!	47047	BOSTN	472924!	47066	BOSTN	472020	47088	BOSTN	470605!
470308	SPG	410308!	47047S	TROS	416500	47066S	TROS	240414	47088	VIC	473010!
470308	SPG	473468	47048	BOSTN	472397!	47067	BOSTN	472020	470888N	SPG	2043
470308N	NATL	410308!	47048	VIC	471224!	47067	VIC	472409	47089	BOSTN	470605!
470309	SPG	471391!	470487N	NATL	470487=	470674BX	SPG	224870	470895	SPG	471554!
47030S	TROS	210945	470487SSR	SPG	470487!	47068	BOSTN	473245!	470898	NATL	470898
47031	BOSTN	473239!	47049	BOSTN	472397!	470684	SPG	471827!	4708B	JN-MN	472951
47031	VIC	455612=	47049	VIC	471649!	47068S	TROS	240435	4708B	JN-MN	474252
470312	SPG	472016!	47049S	TROS	240007=	47069	BOSTN	473245!	4709	C-R	12X22X7V!
470316	SPG	472636!	4704B	JN-MN	470954!	47069	VIC	412920!	4709	C-R	221208
47031S	TROS	411376!	47050	BOSTN	473242	4707	C-R	12X22X7!	47090	BOSTN	415449!
47032	BOSTN	473240!	47050	VIC	450593!	4707	C-R	221207	47091	BOSTN	415449!
47032	VIC	418029!	470506	NATL	470506	47070	BOSTN	471272!	47092	BOSTN	416273
47032S	TROS	415449!	47051	BOSTN	473242	47070	VIC	412040	47092	VIC	416444
47033	BOSTN	473240!	47051S	TROS	240009	47070S	TROS	240462	47093	BOSTN	416273
47033	VIC	370036A	47052	BOSTN	473204	47071	BOSTN	471272!	47093	VIC	415449!
47033	VIC	370349A	47052	VIC	471763	47071	VIC	415449!	47094	BOSTN	413248
470330	SPG	470605!	47053	BOSTN	473204	470712V	NATL	470712=	470946SSR	SPG	470946
470334	NATL	470334!	470530	NATL	470530!	470719	SPG	471984	47094S	TROS	415995!
470334	NATL	50289	47054	BOSTN	470898	47071S	TROS	240470	47094S	TROS	415995!
47033S	TROS	417343!	47054	VIC	471765!	47072	BOSTN	471138!	47095	BOSTN	413248
47034	BOSTN	472319	470543	NATL	40360S	47072	VIC	410708	47095	VIC	417344!
47034	VIC	415295	470547	SPG	4122	47072S	TROS	6597S	470950	NATL	483793
47034S	TROS	412473!	470547	SPG	470547	47073	BOSTN	471138!	470954	NATL	470954!
47035	BOSTN	472319	470547CA	SPG	4122	47073	VIC	415458!	470954	NATL	470954
470351SSR	SPG	471504	470547CA	SPG	470547	470737	NATL	410737	47096	BOSTN	415483
470358SSR	SPG	473231	470547SSR	NATL	4122	470737SSR	SPG	410737!	47096	VIC	415995*
47035S	TROS	411376!	470547SSR	NATL	470547	47073S	TROS	240698	47096	VIC	415995!
47036	BOSTN	473241	47054S	TROS	240023	47074	BOSTN	472636!	47096S	TROS	417211!
47036	VIC	415196!	47055	BOSTN	470898	47074S	TROS	240716	47097	BOSTN	415483
47036S	TROS	415458!	470553	WMG	471224!	47075	BOSTN	472636!	470974R91	IH	472397!
47037	BOSTN	473241	470553VGR	SPG	470553V	47075	VIC	417316!	47097S	TROS	415437
47037S	TROS	415146!	470557SSR	SPG	470557	47075S	TROS	240731	47098	BOSTN	415458!
47037S	TROS	415991	47055S	TROS	240119	47076	BOSTN	412920!	47098	VIC	415379
47038	BOSTN	472144!	47056	BOSTN	472015!	47076	VIC	204017	470989SSR	SPG	470989
47038	VIC	40169S	47056	VIC	471766!	47076	VIC	473117	47099	BOSTN	415458!
470380	NATL	410059	470565	NATL	470565=	470764	NATL	50764	4710	C-R	12X22X7!
470380	NATL	470059	470567	NATL	471267*	47076S	TROS	240733	4710	C-R	221207
470380	NATL	472189A!	470567	SPG	471267!	47077	BOSTN	412920!	47100	BOSTN	417343!
470380	NATL	9613S	470567SSR	SPG	471267	47077	VIC	417351!	47101	BOSTN	417343!
470389	SPG	472492!	47057	BOSTN	472015!	470774	NATL	470774	47101S	TROS	331301N
47039	BOSTN	472144!	47057	VIC	472287!	470774VGR	SPG	470774	47102	BOSTN	416664!
47039	VIC	473228	470574	NATL	413246	47077S	TROS	240735	47103	BOSTN	416664!
470394	SPG	473227!	47057S	TROS	240151	47078	BOSTN	470565!	47104	AMC	473440!
470394SSR	SPG	473227	47058	BOSTN	472016!	47078S	TROS	240736	47104	BOSTN	415984!
47039S	TROS	410737!	47058	VIC	473215!	47079	BOSTN	470565!	47104	VIC	471192
47040	BOSTN	472394	470588SSR	SPG	450588	470791	SPG	471466!	47105	BOSTN	415984!
47040	VIC	203002	47059	BOSTN	472016!	47079S	TROS	240816	47105	TROS	471652
470400SSR	SPG	470400	47059	VIC	473228!	47080	BOSTN	413246	47106	BOSTN	417316!
470403	SPG	470774!	470596VDR	SPG	470596	47080	VIC	476470	47107	BOSTN	417316!
470409	NATL	50409	47060	BOSTN	473243	47080	VIC	476470!	47107	VIC	472636!
47040S	TROS	417487!	47060	VIC	473236!	47080S	TROS	240949	47108	BOSTN	415960
47040S	TROS	417487	470605	NATL	470605	47081	BOSTN	413246	471084	WMG	472213
47041	BOSTN	472394	470606	NATL	470606	47082	BOSTN	413247!	47109	BOSTN	415960
47041	VIC	240009	47061	BOSTN	473243	47082	VIC	416556!	47109	VIC	415995*
470410	SPG	471424!	47061	VIC	472185!	47082	VIC	472157	47109	VIC	415995!
47042	BOSTN	471424!	47062	BOSTN	473244!	47082S	SPG	410825	4711	C-R	221207
47043	BOSTN	471424!	470625	NATL	470625!	47083	BOSTN	413247!	47110	BOSTN	415303!

! Industrial Size/Type * Minor Width Difference

= The U.S. customer service number is 877-4-TIMKEN. The Canadian customer service numbers are 800-565-4927 (English) and 800-565-0438 (French-Canadian).

NUMERICAL INTERCHANGE

Mfr. No.	Name	Zero Duplication or Recommended Industrial	Mfr. No.	Name	Zero Duplication or Recommended Industrial	Mfr. No.	Name	Zero Duplication or Recommended Industrial	Mfr. No.	Name	Zero Duplication or Recommended Industrial
47110	VIC	476470	47128	VIC	210945	47150	BOSTN	416624!	47167	VIC	415449!
47110	VIC	476470!	471281	NATL	471281=	47150	VIC	410708	47168	BOSTN	415379
471100	SPG	471652	471288	NATL	473237!	471502	DOLE	25598	471684	NATL	471684
471103	NATL	471103	47128S	TROS	340356	471504	NATL	471504	471684	SPG	471684!
471103S	WOOL	415991	47129	BOSTN	416288!	47150S	TROS	340823	471689	NATL	471689
471103S	WOOL	455146!	47129	VIC	470530!	47151	BOSTN	416624!	47168S	TROS	481443!
471105	NATL	471105=	471291VGR	SPG	471291V	47151	VIC	415995!	47169	BOSTN	415379
471105SSR	SPG	471105!	47129S	TROS	350364	47151	VIC	415995!	471692	NATL	471692
471106	WHITE	416339	47130	BOSTN	417171!	471516	NATL	471516	47169S	TROS	471646!
471106	WHITE	455031!	47130S	TROS	330385	47151S	TROS	340853	47170	BOSTN	417205!
47111	BOSTN	415303!	47130S	TROS	330385	47152	BOSTN	415991!	47170	VIC	472179
47112	BOSTN	417344!	47131	BOSTN	417171!	47152	BOSTN	415991	471702	SPG	471688
47112	VIC	471526!	471312L	C-R	55431=	47152S	TROS	340872	471703	SPG	471689!
471122	SPG	471504	471315	SPG	472705!	47153	BOSTN	415991!	471705	NATL	471705
47113	BOSTN	417344!	47131S	TROS	471267!	47153	BOSTN	415991	471706	SPG	471692!
471138	NATL	471138	47132	BOSTN	417172	47153S	NATL	450536	471707SSR	SPG	471707
47114	BOSTN	417158!	47132	VIC	415449!	471538	NATL	471538	471709	SPG	471413!
47114	VIC	471763	471324	SPG	471255!	471538VGR	SPG	471538V	47170S	TROS	471689!
471141	NATL	471141	47132S	TROS	340400	471539	NATL	471539	47171	BOSTN	417205!
47115	BOSTN	417158!	47133	BOSTN	417172	47154	BOSTN	417196!	47171	VIC	413469!
47115	VIC	472179	47133S	TROS	340413	471549	NATL	471549	471718	SPG	471705!
471150	SPG	473231!	47134	BOSTN	476470	471549	NATL	472467	47171S	TROS	481163!
47116	BOSTN	416921!	471341	NATL	471341	47154S	TROS	340900	47172	BOSTN	416339
47116	VIC	473460	471344	WMG	50476	47155	BOSTN	417196!	47172S	TROS	471538!
471161	LETN	473460	47135	BOSTN	476470	471551	NATL	471551	47173	BOSTN	416339
471169SSR	SPG	471169	471354	NATL	471354	471553	NATL	471553	47173	VIC	6098=
47117	BOSTN	416921!	47136	BOSTN	417181!	471554	NATL	471554=	47173S	TROS	350364
47117S	TROS	471466	47136	VIC	415379!	471554V	NATL	471554=	47174	BOSTN	417211!
47118	BOSTN	417349!	47136	VIC	415379	471559	SPG	471553!	471747	NATL	471747
47118	VIC	417316!	47136S	TROS	481537	47156	BOSTN	415437	47174S	TROS	474272
47119	BOSTN	417349!	47137	BOSTN	417181!	47156	VIC	9613S	47175	BOSTN	417211!
47119	VIC	415995!	47137	VIC	412473!	471567	NATL	471567	47175S	TROS	471267!
471193SSR	SPG	471193	471379SSR	SPG	471379	47156S	TROS	340927	47176	BOSTN	416345!
47119S	NATL	47119S	47138	BOSTN	418028!	47157	BOSTN	415437	471762	NATL	471762
4711B	JN-MN	415072*	47138	VIC	415899N	471570	NATL	471570	471764	NATL	471764
47120	BOSTN	417350!	47138	VIC	416624	47157S	TROS	471267!	471765	NATL	471765
47120S	TROS	471224!	47138S	TROS	254270	47158	BOSTN	416332!	471766	NATL	471766
47121	BOSTN	417350!	47139	BOSTN	418028!	47158	VIC	470565!	47176S	TROS	473454
47121	VIC	473214	47139	VIC	415437	471581	SPG	481568!	47177	BOSTN	416345!
47121S	TROS	340136	471391	NATL	471391	47159	BOSTN	416332!	471770	SPG	471760
47122	BOSTN	415995!	4713VXR	SPG	415035	47159S	TROS	341022	47178	BOSTN	415697!
47122	VIC	470954!	47140	BOSTN	417353!	47160	BOSTN	415937!	47178S	NATL	471785
471224	NATL	350909*	47140S	SSR SPG	47140S	47160	VIC	473234!	471787	NATL	471787
471224	NATL	471224*	47141	BOSTN	417353!	47161	BOSTN	415937!	47178S	TROS	473424!
471224	NATL	471224*	47141	VIC	417211!	47161	VIC	412871!	47179	BOSTN	415697!
471224V	NATL	471224=	471413	NATL	471413	471619	NATL	471619	47179	VIC	481537
47122S	TROS	470954!	471413	NATL	7412S	47161S	TROS	345035	47179S	TROS	350909
47123	BOSTN	415995!	47141S	TROS	340724!	47162	BOSTN	417355!	47179S	TROS	471224!
471231	NATL	353131	47142	BOSTN	416294!	47162	VIC	471801!	4718	C-R	12X25X4.5
471231	NATL	471231	47142	VIC	471829	47162S	TROS	345146	4718	C-R	12X25X7*
47123S	TROS	472560N	471424V	NATL	471424=	47163	BOSTN	417355!	47180	BOSTN	417366!
47124	BOSTN	417351!	47143	BOSTN	416294!	47163	VIC	473227!	47180	VIC	471554!
47125	BOSTN	417351!	47143	VIC	6312	471633	NATL	350877	471801	NATL	450165
47125	VIC	210914	47144	BOSTN	412473!	47164	BOSTN	416125!	471808	NATL	471808=
47125S	NATL	47125S	471442	NATL	471442	47164	VIC	415350	47180S	TROS	350942
47126	BOSTN	417621!	47145	BOSTN	412473!	471642	SSR SPG	471642	47181	BOSTN	417366!
47126	VIC	452222!	47145S	TROS	340787	471646	NATL	471646	47181	VIC	470645
471264	NATL	450535	47146	BOSTN	417191	471649	NATL	471649	471817SSR	SPG	451817
471267	NATL	471267*	471466	NATL	471466!	471649V	NATL	471649=	47181S	TROS	350974!
471267V	NATL	471267=	471466V	NATL	471466=	47165	BOSTN	416125!	47182	BOSTN	415035!
471267V	NATL	471267=	47146S	TROS	340797	47165	VIC	417481	47182	VIC	471270!
471268	WHITE	6635S	47147	BOSTN	417191	471650	WMG	481650	471821	NATL	471821
471269	WHITE	JV1210=	471472	NATL	471472	471652	NATL	482208	471827	NATL	471827
47126S	TROS	471643!	47147S	TROS	340815	471652V	NATL	471652	471829VDR	SPG	471829
47127	BOSTN	417621!	47148	BOSTN	417354!	471652V	NATL	471652	47183	BOSTN	415035!
471270	NATL	471270	471486	SPG	470380!	471653	NATL	471653	47183	SPICE	471689!
471271	NATL	471271	471486	SPG	472189A!	471653SSR	SPG	471653!	47183	VIC	471689!
471272	NATL	471272	47149	BOSTN	417354!	471656	SPG	471643!	47183S	NATL	471835
471272V	SPG	471272	47149	VIC	472185!	47166	BOSTN	416041	471835VGR	SPG	471835V
471276VDR	SPG	471276	47149S	TROS	340817	471660	SPG	471647	471839	SPG	473010!
47128	BOSTN	416288!	4714B	JN-MN	471750!	47166S	TROS	471413!	47184	BOSTN	417356!
			4715	C-R	12X24X7	47167	BOSTN	416041	47184	VIC	471652

! Industrial Size/Type *Minor Width Difference

=The U.S. customer service number is 877-4-TIMKEN. The Canadian customer service numbers are 800-565-4927 (English) and 800-565-0438 (French-Canadian).

Mfr. No.	Name	Zero Duplication or Recommended Industrial	Mfr. No.	Name	Zero Duplication or Recommended Industrial	Mfr. No.	Name	Zero Duplication or Recommended Industrial	Mfr. No.	Name	Zero Duplication or Recommended Industrial
47185	BOSTN	417356!	47207	BOSTN	417247!	472419	SSR SPG	472419	47288	VIC	7013S
47185	VIC	474255	47208	BOSTN	415725!	47243	VIC	470954!	47289	C-R	120X160X12V
471853	SPG	350936	47208	VIC	476470	472439	VDR SPG	472439	47289	VIC	451078!
471854	NATL	350936	472082	S WMG	472082	47244	VIC	205004	4728B	JN-MN	471570!*
47185S	TROS	415082	47209	BOSTN	415725!	472446	SSR SPG	472446	47290	C-R	120X160X12
47186	BOSTN	417357	47209	VIC	412473!	47245	C-R	370220A	47290	VIC	472311!
471866	NATL	471281	4721	C-R	12X25X7	472466	SSR SPG	472466!	47291	C-R	120X160X12
471869	NATL	3173	47210	C-R	120X140X13!*	47248	VIC	471539!	47291	VIC	480821!
471869	NATL	710928	47210	C-R	710084	47249	VIC	240470	472920	SPG	412920!
47186S	TROS	417350!	47210	C-R	717004	472492	NATL	472492	472924	NATL	472924=
47187	BOSTN	417357	47210	VIC	200640	4724B	JN-MN	415995!	47293	VIC	472492!
47187	VIC	471413!	47211	VIC	471504!	47250	C-R	120X150X12!	47294	VIC	471413!
47187	VIC	7412S	47212	C-R	712003	47250	C-R	370220A	472950	SSR SPG	472950
471870	NATL	471870	47212	VIC	472164!	472501	GMC	5699	472953	SSR SPG	472953
47188	BOSTN	416130!	47213	C-R	712003	47251	VIC	471076	472953	VDR SPG	472953
47188	VIC	471818	472138	SSR SPG	472138	47252	C-R	120X150X12!	472954	VDR SPG	472954
47189	BOSTN	416130!	472144	NATL	472144	47252	VIC	471747!	47297	VIC	480210!
47189	VIC	473423	47215	VIC	473235!	47253	C-R	120X150X12V	47298	VIC	7399S!
47190	BOSTN	416556!	472156	ADAMS	415988	47253	VIC	471192	47299	VIC	415302
47190	BOSTN	472157	472156	LETN	415988	472535	SSR SPG	472535	472HH101	DANA	415995
47190	VIC	472179	472157	NATL	416556	472536	SSR SPG	472536	4730	C-R	12X26X7
471904	SSR SPG	471904	472157	NATL	472157	472538	SSR SPG	472538	473010	NATL	473010
47190S	TROS	327303!	472157	NATL	476556=	472539	SSR SPG	472539	47304	VIC	471267!
47191	BOSTN	416556!	472157	NATL	486556=	47254	C-R	120X150X12V	473049	VDS SPG	473049V=
47191	BOSTN	472157	472164	NATL	472164=	47255	VIC	473016!	47305	VIC	470954
47191	VIC	471984*	472164	NATL	472164=	47256	VIC	240319	473096	NATL	350156
47191S	TROS	365008	472164V	NATL	472164	472560N	NATL	472560N	473099	NATL	253099!
47192	BOSTN	415196!	47217	VIC	473367	47257	VIC	470625!	47311	VIC	471526!
47192	TROS	455197N	47217	VIC	473367!	472572	NATL	472572	473117	SSR SPG	473117
47192	VIC	472185!	472179	NATL	472179=	47258	VIC	473228!	47312	VIC	7013S
47193	BOSTN	415196!	472185	NATL	290070=	47259	VIC	340927	473129	ADAMS	410190
47193	VIC	203034	472185	NATL	472185	47260	C-R	120X150X12!*	473135	SLR SPG	474278!
471936	SPG	473238!	472189	SPG	470380!	47260	VIC	6283S	47316	VIC	6590S
47194	BOSTN	416891!	472189	SPG	472189A!	47261	VIC	40154S	47317	VIC	204079=
47194	VIC	472319	472189A	NATL	9613S	47262	TROS	6465	47317	VIC	471854!
471940	SPG	472144!	47219	VIC	415857!	47263	VIC	472924	473179	NATL	473179
47195	BOSTN	416891!	472193	NATL	472193	472636	NATL	472636	47318	VIC	455566
47195	VIC	471391!	47220	TROS	9568	472642	VDR SPG	472642V	47319	VIC	203008
471950	SSR SPG	471950	47220	VIC	473474	472644	VDR SPG	472644	47319	VIC	473317
471952	SSR SPG	471952	47221	VIC	417484!	472649	SSR SPG	472649	473197	NATL	473197
47195S	TROS	203006!	472221	R91 IH	200887	47265	BOSTN	471829	473197	VGR SPG	473197
47196	BOSTN	416135!	472222	R1 IH	JV1157	47265	VIC	40316S	473205	NATL	473205
47196	VIC	471424!	472236	H SPG	472409	472651	VDR SPG	472651V	47321	VIC	471193
47197	BOSTN	416135!	472238	SSR SPG	472238	472653	NATL	472653=	473211	NATL	473211=
47197	VIC	471870!	472239	SSR SPG	472239	472653	VGR SPG	472653	473214	NATL	473214
47197S	TROS	480950N=	47224	VIC	416271!	472655	SSR SPG	472655	473215	NATL	473215
47198	BOSTN	416888!	47225	C-R	120X145X12!	47266	VIC	50501	473215	NATL	9568
47198	VIC	450133	472258	NATL	472258	472660	SSR SPG	472660	47322	VIC	7886S
47199	BOSTN	416888!	472258V	NATL	472258=	47267	VIC	455556	473225	NATL	473225=
47199	VIC	473475	472287	NATL	472287=	47269	VIC	45013S	473227	NATL	473227
47199S	TROS	451143	47229	VIC	455583N!	47270	VIC	415442!	473228	NATL	473228
4720	C-R	12X25X7	47230	C-R	120X145X12!	47270	VIC	55442	473229	NATL	473229=
47200	BOSTN	416153!	47230	C-R	231204	47273	C-R	120X155X15	473230	NATL	471289=
47200	VIC	413247!	47230	VIC	470530!	47275	VIC	5499=	473230	NATL	473230=
47200S	SPG	473240!	47231	VIC	415449!	47276	VIC	470774!	473231	NATL	1192
472008	SPG	470530!	472311	NATL	472311	47278	VIC	1049	473231	NATL	473231
472009	SPG	472397!	47232	VIC	44052	47279	VIC	204013	473232	NATL	473232
47200S	TROS	240027=	472324E	NATL	472324!	47280	VIC	451078!	473234	NATL	473234
47201	BOSTN	416153!	47233	VIC	473241	47280C1	VIC	451078!	473235	NATL	473235
47201	VIC	471887	472350	NATL	472350=	47281	VIC	471413!	473236	NATL	473236
472015	NATL	472015	472350	SSR SPG	472350!	472810	NATL	252810	473237	NATL	473237
472016	NATL	472016	472354	NATL	472354	472810	NATL	472810	473238	NATL	473238
47202	BOSTN	416892!	47236	VIC	6954S	47282	VIC	8059S	473238	NATL	50082
47202	VIC	415082	47237	VIC	6952S=	472826	NATL	450129	473238	VDR SPG	473238=
47203	BOSTN	416892!	472377	SPG	471766!	47283	VIC	471413!	473239	NATL	473239
47204	BOSTN	415138!	47238	VIC	417082	47284	VIC	7013S	47324	VIC	473442!*
47204	VIC	100495	47239	VIC	471692!	472841	ADAMS	470712!	473240	NATL	473240=
47204	VIC	417349	472397	NATL	472397=	472843	ADAMS	472179	473243	NATL	473243=
47205	BOSTN	415138!	47240	C-R	231206	47285	VIC	471413!	473243	NATL	473243=
47205	VIC	416404!	47240	TROS	6966S	472858	VGR SPG	5133	473244	NATL	473244=
47206	BOSTN	417247!	47240	VIC	480630!	47287	C-R	120X160X12!	473245	NATL	473245=
47206	VIC	473215!	472409	NATL	472409=	47287	VIC	471538!	473246	SPG	413246

! Industrial Size/Type * Minor Width Difference

= The U.S. customer service number is 877-4-TIMKEN. The Canadian customer service numbers are 800-565-4927 (English) and 800-565-0438 (French-Canadian).

NUMERICAL INTERCHANGE

Zero Duplication or Recommended Industrial		Zero Duplication or Recommended Industrial		Zero Duplication or Recommended Industrial		Zero Duplication or Recommended Industrial		
Mfr. No.	Name	Mfr. No.	Name	Mfr. No.	Name	Mfr. No.	Name	
473247	SPG	413247!	473573SSR SPG	473573	474051 WHITE	46997S	47430 VIC	42101S
473248	SPG	413248	47360 TROS	1062=	47405HA IH	415449!	47431 VIC	412119!
473258	NATL	8168=	47361 VIC	7692S	47406 VIC	470687	474316 C-R	415437
473259	NATL	473259	47362 VIC	7300S	47407 VIC	5666	474316 C-R	415437!
47326	VIC	42260S	47362S TROS	203006!	474094R91 IH	471750	474316M1 C-R	415437
47327	VIC	7929S	47363 VIC	7715S	474096SCR SPG	225110	474316M1 C-R	415437!
47329	VIC	473473	47364 VIC	484054	474096SCR SPG	51X65X7!	47432 VIC	472016
473296	SPG	472319	47364S TROS	204035	474097SCR SPG	223605	474320M1 C-R	415937!*
4733	C-R	12X26X7	47365 VIC	473228	474097SCR SPG	36X50X7!	474324 C-R	415379!
47330	VIC	470506!	47365S TROS	415725!	474099 WHITE	370191A	474324 C-R	415379
47331	VIC	416500	47366 VIC	8121S	474099 WHITE	415085!	474324M1 C-R	415379!
473313	NATL	473313	47366S TROS	471554!	474099 WHITE	456648	474324M1 C-R	415379
473316	C-R	415437*	47367 VIC	8133S	4740BH1 SPG	4740	474328 C-R	417210!*
473316M1	C-R	415437	47367TSAR SPG	473677	47410 VIC	416271!	474328M1 C-R	417210!*
473316M1	C-R	415437!	47367S TROS	471224!	474107 WHITE	5408	47433 VIC	472492!
473328	C-R	417210!*	47368S TROS	471689!	4741118 CHRYS	4528N	47435 VIC	9161
473328M1	C-R	417210!*	47369S TROS	472164!	4741119 CHRYS	2465	47436 ALLCH	476470
47333	VIC	55337	47370 VIC	471750	474119SSR SPG	223840	47436 VIC	9049
47335	VIC	473448	47371 VIC	450188	474119SSR SPG	38X58X8!	47436 VIC	9049N
47336	VIC	204035	47372S TROS	417487!	474125R SPG	223555	47438 VIC	474274*
473367	NATL	473367=	47372S TROS	417487	474125R SPG	35X64X8!	47438 VIC	8994N=
47337	VIC	340900	47373 VIC	473446	474125RRR SPG	223555	47439 VIC	9342S
47338	VIC	471271	47374 VIC	471827!	474125RRR SPG	35X64X8!	47440 C-R	417538
47338L	C-R	415577	47375 C-R	415138=	474127SSR SPG	474127	47440 VIC	7245
47339	VIC	473449	47375 VIC	413469!	4741296 CHRYS	4529N	47441 C-R	417538
47340	VIC	442380	47375S TROS	240215	47413 VIC	9569S	474411 BENDI	470954!
473406	NATL	450033	47376 VIC	203025	474131SSR SPG	474131	47442 VIC	6808N
47341	VIC	8976S	47377 VIC	203029	474135RRR SPG	224255	47444 VIC	480844
473419	NATL	473419	47378S TROS	332062	474135RRR SPG	42X65X10!	47445 VIC	441319
47342	VIC	417480!	47379 C-R	714750	474137SSR SPG	224320	47447 VIC	331173
473424	GMC	5092	47380 C-R	415138!	47415 VIC	8835S	47448 VIC	8750S
473424	NATL	353137	47380 VIC	471707!	47415SF VIC	8835S	47449 VIC	3604
473428VDR	NATL	473428V=	47380 VIC	471707N	47416 VIC	2361	47450 VIC	8660S
473439	NATL	473439=	47381 C-R	415138!	47416 VIC	472466!*	47451 C-R	417538
47344	VIC	473228!	47381 VIC	9613S	474161SSR SPG	474161	47451 VIC	8935S
473440	NATL	473228	47381S TROS	470954	47417 VIC	8429S	47452 VIC	472394
473440	NATL	473440	47382 C-R	415138!	474176 BENDI	472560N	47453 VIC	9599S
473442	NATL	5778	47382 VIC	332062	47418 VIC	8940S	47454 VIC	200855
473444	NATL	473444	47383 C-R	415138!	47419 VIC	6815	47455 C-R	200642
473444VD	SPG	473444	47383 TROS	472311!	4741908 CHRYS	713103	47455 VIC	200110
473449	NATL	473449	47383 VIC	473228	4741920 CHRYS	4741	47456 VIC	6575S
47345	VIC	353135	47384 C-R	415138	47420 VIC	8975S	47457 VIC	9569S
47345	VIC	474278!	47384 C-R	415138=	47421 VIC	8976S	47458 VIC	9161
473450	NATL	473450	47384 VIC	8597S	47423 VIC	9150S	47460 VIC	712146
473451	NATL	473451	47385 VIC	6960	474230SS SPG	474230	47460 VIC	9911S
473454	NATL	473454	47385S TROS	415983N!	47425 VIC	204017!	47461 VIC	8660S
473457	NATL	473457=	47386S TROS	441130	47425 VIC	205017	47462 VIC	473179
473458	NATL	473458!	47387 VIC	472492!	474252 NATL	472951	4746258 CHRYS	4333N
473459	NATL	473459!	47388 C-R	39952	474253 NATL	474253	47463 VIC	9913
47346	VIC	331228H	47388 VIC	8460N	474253 NATL	474253=	47464 VIC	470380!
473460	NATL	473460	47388S TROS	472179	474254 NATL	474254	47466 VIC	9912
473461	NATL	473461	47389 VIC	8477S	474255 NATL	474255	47467 VIC	473235
473462	NATL	473462!	47390 VIC	473445	474256 NATL	474256	4746772 AMC	5778
473462	NATL	473462!	47392 VIC	8620N	47426 C-R	415138!	4746772 AMC	5778V
473464	NATL	473464	47394 C-R	415138!	474260 NATL	474260	4746772 CHRYS	5778
473467	NATL	473467=	47394 VIC	470954!	474264 NATL	474264	4746772 CHRYS	5778V
47347	VIC	9376	47395 C-R	415138!	474265 NATL	474265	474679 GMC	3667
47348	HYST	416888!	47395 VIC	8594S	47427 VIC	200371	47469 VIC	9762S
47348	VIC	474260	47396 C-R	415138!	474272 NATL	474272	4746B JN-MN	417551
47349	SPG	6832S	47396 VIC	473179	474273 NATL	474273	47470 VIC	5109
473490SSR	SPG	473490	47397 C-R	415138!	474274 NATL	474274	47471 C-R	417247!
47350	C-R	55367=	47398 C-R	415138!	474276 NATL	474276!	47471 VIC	5123
47350	VIC	203016	47398 VIC	472082	474277 NATL	474277	47472 VIC	292594
47351	VIC	203013	47399 C-R	415138!	474278 NATL	322353	47473 VIC	5109
473517	NATL	473517	47399 VIC	8792S	474278 NATL	323126	47474 C-R	417247!
47352	VIC	204008	473HMS320-Q6 C-R	255833=	474278 NATL	353135	47475 C-R	417247!
47353	VIC	450400	4740 C-R	12X27X7	474278 NATL	474278	474757 ADAMS	415984!
47354	VIC	416071	47400 VIC	6808N	474278 NATL	50356=	474757 LETN	415984!
47355	VIC	450593!	474018R91 IH	204038	474278 NATL	6859S	47476 C-R	417247!
473551SSR	SPG	473551	47403 VIC	417267	47428 VIC	200763	47476 VIC	4250
47356	VIC	330699!	47404 VIC	471169	474281 NATL	474281	47477 C-R	417247!
47356	VIC	340771	47405 VIC	411330!	474288 SPG	36X58X8!	47477 VIC	8871

! Industrial Size/Type *Minor Width Difference

=The U.S. customer service number is 877-4-TIMKEN. The Canadian customer service numbers are 800-565-4927 (English) and 800-565-0438 (French-Canadian).

Mfr. No.	Name	Zero Duplication or Recommended Industrial	Mfr. No.	Name	Zero Duplication or Recommended Industrial	Mfr. No.	Name	Zero Duplication or Recommended Industrial	Mfr. No.	Name	Zero Duplication or Recommended Industrial
474770	ADAMS	456105	475079	SPG	455079!	475437	SPG	415437	47594	VIC	472164!
474770	LETN	456105	47508	VIC	205009=	47544	VIC	482163!	47595	VIC	452742
474772	ADAMS	473460	47509	VIC	200855	475449	SPG	415449!	475953	SPG	415035
474772	LETN	473460	4751	C-R	12X28X7	47545	VIC	43290S	47596	VIC	370132A
474773	BENDI	240319	47510	C-R	415213N	475458	WMG	415458!	475960	NATL	415960
474774	ADAMS	471647	47511	VIC	200895=	47546	VIC	3794	47597	VIC	456744N
474774	LETN	471647	47512	VIC	416956	47547	VIC	710068	47598	VIC	412119!
47477BV	VIC	8871	47513	VIC	471750!	475483	SPG	415483	475984	SPG	415984!
47478	VIC	2689S	475137RAR	SPG	415137	47549	C-R	417252	47599	VIC	415995!
474784	ADAMS	471689!	475138	SPG	415138!	47549	VIC	416273	47599	VIC	415995
474784	LETN	471689!	47515-1	VIC	5397\$	4755	C-R	12X28X7V	475995V	NATL	415995!
474784	WABCO	471689!	475156	SPG	417621!	47550	C-R	417252	475F324	C-R	415379*
47479	C-R	417247!	47516	VIC	2443	47550	VIC	8610	475FF316	C-R	415437
47479	HYST	417357	47517	VIC	473467!	47551	C-R	417252	475FM324	C-R	415379*
47479	VIC	712146	47518	VIC	473560N	47551	VIC	3348	475HD316	C-R	415437
474795	BENDI	240356	47518	VIC	710386	47552	VIC	2440	475HM316	C-R	415437
474798	ADAMS	416158	47519	VIC	5131	47553	VIC	3357	475W316	C-R	415437!
474798	LETN	416158	475196	SPG	415196!	47555	VIC	2876	475W316	C-R	415437
47481	C-R	39825	4752	C-R	12X28X7	47556	VIC	442874	475W316-M1	C-R	415437!
47481	C-R	487250V!	4752	C-R	12X30X7	47557	VIC	9487	475W316-M1	C-R	415437
474824	ADAMS	415483!	47521	VIC	477069!	47558	VIC	413248	475W320	C-R	415937!*
474824	LETN	415483!	47521	VIC	712598	47559	VIC	473313!	475W324	C-R	415379!
474824	WABCO	415483	47522	VIC	2043	4755B	JN-MN	417546!	475W324	C-R	415379
47483	VIC	470625!	47523	VIC	5121	47562	VIC	2443	475W625	CONE	5527
47483	VIC	5115	47524	VIC	2955	475621	WHITE	456618	4760	C-R	12X30X7
47484	C-R	415213N	47525	VIC	3087	475645	SPG	415645!	47600	VIC	415483
47484	VIC	472747	47526	VIC	2222	47566	VIC	2658	476011	SPG	417621!
47485	VIC	8521S	47527	VIC	3214	47567	VIC	417158!	47602	VIC	415988
47486	VIC	3394	47528	VIC	4148	47569	VIC	710007	47603	VIC	3227
47488	VIC	2642	475281	SPG	417349!	475697	SPG	415697!	47604	VIC	1948
47489	VIC	417158!	47529	VIC	3195	4757	C-R	12X28X7V	47604	VIC	50X68X8!
47490	VIC	482267	47530	VIC	2286	47570	HYST	55276=	476041	SPG	416041
47491	VIC	415458*	475303	SPG	415303!	47570	VIC	2655	476047	SPG	416332!
47491	VIC	415458*	475304	SPG	476470	475713	WHITE	6532S=	47606	VIC	224820
47492	VIC	9316	475310	C-R	416313	47572	VIC	3945	47606	VIC	48X62X8!
47494	HYST	415294!	475316	C-R	415437!	475720	WHITE	6532S=	47606TA	TRSCM	415213N
47494	SPICE	370033A	475316	C-R	415437	475725	SPG	415725!	47606TA	TRSCM	417247!
47494	VIC	370033A	475316	CABOT	415437!	475733	SPG	417316!	47607	VIC	473812
47495	VIC	370023A	475316	CABOT	415437	47574	VIC	1196	47608	VIC	370003A
47496	VIC	6808N	475316M1	C-R	415437	47575	VIC	473258	47609	VIC	473179!
47497	VIC	40316S	475316M1	C-R	415437!	47575TA	TRSCM	415138!	4760B	JN-MN	417343!
47498	VIC	410059	475318	C-R	417497	47576	VIC	1955	47610	VIC	471271!
47498	VIC	470380!	475318M1	C-R	417497	47576	VIC	52X65X9!	476107	SPG	416107!
47499	HYST	416706!	475319RAR	SPG	417495	47577	VIC	223240	47611	VIC	471271!
47499	VIC	471652	47532	VIC	3732S	47577	VIC	32X48X8!	4761107	CHRY	3459
47499	VIC	482208!	475320	C-R	415937!*	47578	VIC	473445	47612	VIC	473243
474B316	C-R	415437	475320M1	C-R	415937!	47579	VIC	1097N	476125	SPG	416125!
474C316	C-R	415437	475322	C-R	417501	47580	VIC	222510*	47613	VIC	470380!
474E324	C-R	415379	475322M1	C-R	417501	47580	VIC	25X35X7!*	476130	SPG	416130!
474FM324	C-R	415379*	475324	C-R	415379!	47581	VIC	416292	476135	SPG	416135!
474M328-L	C-R	417210!	475324	C-R	415379	47582	VIC	472572!	47614	VIC	411253!
474W314-Y13	C-R	455858	475324	GMC	415379!	47583	C-R	415066	476153	SPG	416153!
474X6-L	C-R	200642	475324	GMC	415379	47583	VIC	472572	47616	VIC	471413!
4750	C-R	12X28X7	475324M1	C-R	415379!	475831	WHITE	5405	47618	VIC	473010!
47500	C-R	417247!	475324M1	C-R	415379	475831A	WHITE	5405	4761B	JN-MN	50266
47500	VIC	2674!	475326	C-R	455178=	475831B	WHITE	5405	47620	VIC	68X90X10
47500	VIC	370054A	475328	C-R	417210!	475836	SPG	415995!	4762017	CHRY	39803
475003	NATL	415458!	475328M1	C-R	417210!	475836	SPG	415995!	47621	VIC	226018
475004	SPG	417316!	47534	VIC	3667	47584	VIC	7186S	47622	VIC	475996H=
475009RRR	SPG	415960	47534	VIC	473546!	47585	VIC	455080*	47623	VIC	710045
47501	VIC	9339S	47537	ALLCH	473205	47585TA	TRSCM	417538	47624	VIC	8622
475012VAR	SPG	475012A	47537	VIC	416404	47587	VIC	204027	47625	VIC	251511
475016	WHITE	416476!	475379	SPG	415379	47589	C-R	415066	47626	VIC	5699
47502	VIC	416273!	47538	C-R	416865!	47589	VIC	712625	476271	SPG	416271!
47503	VIC	9316	47538	VIC	8429S	475894	SPG	412473!	476273	SPG	416273
475035	SPG	415035	47539	VIC	40389S	4758B	JN-MN	470954!*	47628	VIC	3543
47504	VIC	486857	47539	VIC	472492!	47590	C-R	415066	476282	TRANG	416282
47505	VIC	9943	4753B	JN-MN	415047	47590	VIC	2503	476288	SPG	416288!
47506	VIC	200763	47540	VIC	415389	47590	VIC	2503N	4762899	CHRY	472572
47507	SPICE	9864S	475423C91	IH	711552	47593	VIC	204500!	476294	SPG	416294!
47507	VIC	200870	47543	VIC	417621	475937	SPG	415937!	4763	C-R	12X30X7
475072	SPG	415072	47543	VIC	5509	47594	C-R	415066	47630	VIC	722109

! Industrial Size/Type * Minor Width Difference \$F-M Number Is Part Of A Kit
 = The U.S. customer service number is 877-4-TIMKEN. The Canadian customer service numbers are 800-565-4927 (English) and 800-565-0438 (French-Canadian).

NUMERICAL INTERCHANGE

Zero Duplication or Recommended Industrial		Zero Duplication or Recommended Industrial		Zero Duplication or Recommended Industrial		Zero Duplication or Recommended Industrial		
Mfr. No.	Name	Mfr. No.	Name	Mfr. No.	Name	Mfr. No.	Name	
47631	VIC	722108	47678	VIC	2642	47715	VIC	19X32X8
47632	VIC	2300	47679	VIC	472070	477158	SPG	417158!
47633	VIC	6808N	476793	GMC	3732S	47716	VIC	222820
476339	SPG	416339	47680	VIC	3604	47717	VIC	20X35X7!
47634	VIC	370004A	47681	VIC	712937	477171	SPG	417171!
476345	SPG	416345!	47682	VIC	413246	477172	SPG	417172
47636	VIC	476574N	47683	VIC	1990	47718	VIC	222820
476365	SPG	417492	476838	NATL	476838	477181	SPG	417181!
47637	VIC	415483!	47684	VIC	710051	47719	VIC	471652
476375	WHITE	733105	47685	VIC	473442!	47719	VIC	482208!
47638	VIC	470898	47686	VIC	471870!	477191	SPG	417191
47639	VIC	471341!	476865	SPG	416865!	477196	SPG	417196!
4763B	JN-MN	473234	47687	VIC	472635	47720	VIC	710201
47640	VIC	470682	47688	VIC	450307	477205	SPG	417205!
47641	VIC	3385	476888	SPG	416888!	477211	SPG	417211!
476414	SPG	415991	476891	SPG	416891!	47722	VIC	413818
476414	SPG	415991!	476892	SPG	416892!	47723	VIC	474133
47642	VIC	3199	47690	C-R	370005A	47724	VIC	471231!
47643	VIC	3583	47690	C-R	370181A	477241R91	IH	415449!
47645	VIC	9845	47690	C-R	380003A	477247	SPG	417247!
47646	VIC	413470!	47690	VIC	474133	477254	SPG	417254
47647	SPICE	415082	47691	VIC	40169S	47726	VIC	472572
47647	VIC	415082	47692	C-R	370001A	477262	SPG	417262!
476470	NATL	476470=	47692	C-R	380001A	477278	SPG	417278
47648	VIC	451143	47692	VIC	50266	47728	VIC	35X50X8!
47649	VIC	416426H*=	476921	SPG	416921!	47728	VIC	3771
4764B	JN-MN	473245!	47693	VIC	487945	47728	VIC	713771
4765	C-R	12X30X7V	47694	C-R	370003A	47729	VIC	227410
476512SSR	SPG	476512	47694	C-R	380003A	47730	VIC	224460
476516E	SPG	85X130X13	47694	VIC	200851	47730	VIC	44X60X10!
47655	VIC	1994	47695	C-R	370003A	477307	SPG	416624!
47655	VIC	48X70X9!	47695	C-R	380003A	477316	SPG	417316!
476556	SPG	416556!	47695	VIC	417488!	4773327	CHRY	4525V
476556	SPG	472157	4769540	CONE	415185N=	47734	VIC	224465
47656	VIC	1992	4769542	CONE	415219=	47734	VIC	44X65X10!
47656	VIC	45X65X8!	47696	C-R	370003A	477343	SPG	417343!
47657	VIC	473823	47696	C-R	380003A	477344	SPG	417344!
476573	GMC	331210V	47696	VIC	472193!	477349	SPG	417349!
47658	VIC	1994	47697	C-R	370003A	47735	VIC	224835
47658	VIC	48X70X9!	47697	C-R	380003A	477350	SPG	417350!
47659	VIC	1992	47697	VIC	252277	477351	SPG	417351!
4765B	JN-MN	473445*	47698	C-R	370003A	477352	SPG	418028
47660	C-R	6663S	47698	C-R	380003A	477353	SPG	417353!
47662	VIC	442251	47698	VIC	710044	477354	SPG	417354!
476624	SPG	416624!	47699	C-R	370006A	477355	SPG	417355!
47663	VIC	473239	47699	VIC	223012	477356	SPG	417356!
47664	VIC	473274!	47699	VIC	TCS45724	477357	SPG	417357
47664	WITTE	470625!	476W314	C-R	455858	477358	SPG	417358
47665	VIC	418028*	47700	VIC	221710	477359	SPG	417359
47665	VIC	418028!	47701	VIC	2011	477360	SPG	417360
476653	SPG	472653!	47702	VIC	3591	477361	SPG	417361
47666	VIC	100495	47703	VIC	370003A	477362	SPG	417362!
47666	VIC	476023N	47703D	IH	471765!	477363	SPG	417363
476664	SPG	416664!	47704	VIC	471539	477364	SPG	417364
476666	SPG	416666	47705	VIC	7568	477365	SPG	417365
47667	VIC	100494	47706	VIC	417159	477366	SPG	417366!
47667	VIC	476470!	477069SGR	SPG	477069	47738	VIC	223018
47668	VIC	3136N	47707	VIC	3677	47739	VIC	225010
47669	DANA	473457	47707	VIC	41257!	47739	VIC	50X65X8!
47669	VIC	473457!	47708	VIC	17X30X7!	47740	VIC	474134
4767	C-R	12X30X7V	47708	VIC	221720	477405641	PORSC	1012
47670	C-R	455375=	47709	VIC	494122	477405641	PORSC	1012N
47670	VIC	1953	4771	SPG	224270	477405641	VW	1012
47670	VIC	42X60X7!	4771	SPG	42X72X10!	477405641	VW	1012N
47671	VIC	3395!	47710	VIC	222540	47742	VIC	225010
47672	VIC	3392	47711	VIC	710222	47742	VIC	50X65X8!
47673	VIC	3214	47712	VIC	223608	47743	VIC	223235
47674	VIC	225505	47712	VIC	36X52X7!	47744	VIC	714075
47674	VIC	55X70X8!	47713	VIC	17X32X7!	47745	VIC	3459
47676	VIC	28X38X7	47713	VIC	221730	47745	VIC	40X58X10!
47677	VIC	17X30X7!	47714	VIC	224255	47746	VIC	36X58X8!*
47677	VIC	221720	47714	VIC	42X65X10!	47746	VIC	474288
47747	VIC	222240	47747	VIC	22X40X7!	47747	VIC	800450
47748	VIC	800450	47748	VIC	224570	47749	VIC	45X72X12!
47749	VIC	224570	47749	VIC	417181!*	4774B	JN-MN	417181!*
47751	VIC	3774	47751	VIC	455614!	47751	VIC	455614!
47751	VIC	TCS45473	47751	VIC	417555!	47752	VIC	3772
47752	VIC	3772	47753	VIC	710167	47754	VIC	2443
47753	VIC	710167	47754	VIC	415551	47756	VIC	417247!
47755	VIC	2443	47757	VIC	3907	47759	VIC	55501=
47756	VIC	415551	4775B	JN-MN	3907	47760	VIC	2506
47757	VIC	417247!	47760	VIC	417571=	47761	VIC	5604
47759	VIC	3907	47762	VIC	224255	47762	VIC	223010
4775B	JN-MN	55501=	47763	VIC	710272	47763	VIC	455625=
47760	VIC	3907	47764	VIC	710154	47764	VIC	710154
47761	VIC	2506	47766	VIC	19X35X10!	47766	VIC	45031S
4776142	CONE	417571=	47768	VIC	415991!	47769	VIC	417605
47762	VIC	5604	47768	VIC	320249	4776B	JN-MN	417605
47763	VIC	224255	47771	VIC	710053	4777086	CHRY	320249
47764	VIC	223010	47772	VIC	417554!	47771	VIC	710053
47765	VIC	710272	47773	VIC	342517	47772	VIC	417554!
47766	VIC	455625=	47773	VIC	100052T	47773	VIC	342517
47767	VIC	710154	4777311	CHRY	5279	4777311	CHRY	710056
47768	VIC	19X35X10!	4777311	CHRY	710056	4777311	CHRY	8660S
47768	VIC	45031S	4777311	CHRY	3622	47774	VIC	6872S
47769	VIC	415991!	47774	VIC	5487	47775	VIC	370005A
4776B	JN-MN	417605	47775	VIC	6872S	47776	VIC	2146
4776B	JN-MN	417605	47776	VIC	370005A	47777	VIC	417254
4777086	CHRY	320249	47778	VIC	710067	47781	VIC	417254
47771	VIC	710053	47778	VIC	5473	47781	VIC	417254
47772	VIC	417554!	47782	VIC	223014	47782	VIC	30X45X5!
47773	VIC	342517	47782	VIC	5414	47782	VIC	30X45X5!
4777311	CHRY	100052T	4778228	AMC	5414	4778228	AMC	5414
4777311	CHRY	5279	4778228	CHRY	5414	47783	VIC	710043
4777311	CHRY	710056	47783	VIC	710043	47784	VIC	710274
47774	VIC	8660S	47784	VIC	6897=	47784	VIC	710274
47775	VIC	3622	47788	VIC	416888!	47786	VIC	6897=
47776	VIC	710067	47788	VIC	416888!	47788	VIC	416888!
47777	VIC	5487	47789	VIC	5460	47789	VIC	5460
47778	VIC	6872S	47790	VIC	455583N!	47790	VIC	455583N!
47779	VIC	370005A	47792	VIC	415137*	47792	VIC	415137*
47780	VIC	2146	47792	VIC	418028!	47792	VIC	418028!
47781	VIC	417254	477936H	NATL	227045	477936H	NATL	227045
47782	VIC	30X45X5!	477936HAR	NATL	227045	477936HAR	NATL	227045
47782	VIC	30X45X5!	47795	VIC	417506	47795	VIC	417506
4778228	AMC	5414	47795	VIC	6864S!	47796	VIC	7376=
4778228	CHRY	5414	47796	VIC	7376=	47797	VIC	415036
47783	VIC	710043	47797	VIC	418028	47797	VIC	415036
47784	VIC	710274	47798	VIC	370012A	47798	VIC	370012A
47786	VIC	6897=	47799	VIC	370015A	47799	VIC	370015A
47788	VIC	416888!	47800	VIC	2055	47800	VIC	2055
47789	VIC	5460	47801	VIC	370019A	47801	VIC	370019A
47790	VIC	455583N!	47803	VIC	370005A	47803	VIC	370005A
47792	VIC	415137*	47805	VIC	370021A	47805	VIC	370021A
47792	VIC	418028!	47805X	SPG	8370S	47805X	SPG	8370S

! Industrial Size/Type * Minor Width Difference

= The U.S. customer service number is 877-4-TIMKEN. The Canadian customer service numbers are 800-565-4927 (English) and 800-565-0438 (French-Canadian).

Mfr. No.	Name	Zero Duplication or Recommended Industrial	Mfr. No.	Name	Zero Duplication or Recommended Industrial	Mfr. No.	Name	Zero Duplication or Recommended Industrial	Mfr. No.	Name	Zero Duplication or Recommended Industrial
47807	VIC	8996S=	47905	DANA	415035	47971	VIC	8316	48014	VIC	1973
47808	VIC	7866S	47905	DANA	415035!	47972	VIC	4099	48014	VIC	48X65X10!
47809	VIC	8549S	47905	VIC	415035	47973	VIC	352637	480141	SPG	470954!
4780B	JN-MN	417481	47905	VIC	BS40502	4797334	CHRY	3459	480148	C-R	7692S+99149
47810	VIC	416102	479061	WHITE	417506	47974	VIC	6815	480149	C-R	340136+99149
47811	VIC	7131	47909	VIC	341022	47975	VIC	8314	48015	VIC	480581
47812	VIC	335924N	4790B	JN-MN	416865!*	47976	VIC	455005	480150	C-R	9613S+99149
47813	VIC	7896S	47911	VIC	471442	47980	VIC	203005!	480151	C-R	51098+99149
47816	VIC	335924N	47912	VIC	473476	47980	VIC	204005	480152	C-R	470380+99149
4781B	JN-MN	415867*	47913	VIC	455956H	47981	VIC	472635	48016	VIC	224570
478235R91	IH	415449	47914	VIC	222820	4798112	CHRY	710046	480163	SPG	471766!
47831	HYST	415350	47914	VIC	28X40X7!	4798125	CHRY	472572	480168	C-R	7300S+99168
4783B	JN-MN	417481	47916	VIC	3747	47982	VIC	8312	48017	VIC	224255
4784B	JN-MN	415041*	47917	VIC	224045	4798216	CHRY	5106	480173	C-R	473237+99174
4784LPD	JN-MN	415041	47917	VIC	40X62X12!	47983	VIC	370150A	480176	C-R	204038+99174
47852	VIC	9128S	47918	VIC	3771	47984	VIC	710065	480177	C-R	5000
478522R91	IH	471692!	47919	VIC	222330	47985	VIC	417350=	480177	C-R	88176+9845
47853	VIC	415983	47919	VIC	710155	47987	VIC	3606	480177	C-R	9845+99176
47853	VIC	415983N!	47919	VIC	TCS45847	47988	VIC	4148	48018	VIC	4244
47854	VIC	9773	4791B	JN-MN	415196!	47989	VIC	470672	480183	SPG	472179
47854SF	VIC	9773	47920	VIC	481826	47990	VIC	473237	480184	C-R	332062+99186
47855	VIC	9344S	47920	VIC	4989	47991	VIC	4143	480185	C-R	2692+88187
47856	VIC	417499	47921	VIC	222020	47992	VIC	100263	480185	C-R	2692+99187
47857	VIC	416043	4792318	CHRY	714655	47992	VIC	3905	480185	C-R	5001
47859	VIC	200948	47925	VIC	472015	47993	VIC	223420	480186	C-R	2692+88187
4785B	JN-MN	416654!	47926	VIC	1198	47994	VIC	1987	480186	C-R	2692+99187
47860	TROS	472311!	47927	VIC	224025	47995	VIC	471950	480186	C-R	5001
47860	VIC	7208S	47928	VIC	710060	47997	VIC	710167	480187	C-R	6712NA+99187
47863	VIC	417123*=	47929	VIC	3655	4799B	JN-MN	415034!	48019	VIC	200854
47864	VIC	2261	47930	VIC	4040N	479F	OSHO	415001!	480194	SPG	473010!
47864	VIC	231104	47931	VIC	713655	47X62X8SB	TRSCM	1949	480198	C-R	331107N+99199
47865	VIC	476124=	47932	VIC	417539!	47X62X8SC	TRSCM	47X62X8!	4801B	JN-MN	456105
478650C1	IH	100494	47934	VIC	470380!	47X62X8TC	TRSCM	47X62X8!	48020	VIC	200861
478650C1	IH	476470!	47934	VIC	472189A	47X65X8SC	TRSCM	47X65X8	48021	VIC	200133
47866	VIC	416557	47935	VIC	712005	47X65X8TC	TRSCM	47X65X8	480210	NATL	9376
47866001	VIC	JX1137=	47937	VIC	471424!	47X68X10SC	TRSCM	47X68X10!	480219	C-R	3103+99218
47867	VIC	416556!	4793SS	JN-MN	471538!	47X68X10TC	TRSCM	47X68X10!	48022	VIC	225875
47867	VIC	472157	47940	VIC	4160	47X70X10SC	TRSCM	47X70X10!	48023	VIC	17795
47868	VIC	39723	47941	VIC	3909	47X70X10TC	TRSCM	47X70X10	48023	VIC	2942
4786OS	JN-MN	415294!	47942	VIC	3942	48000	C-R	370005A	480233	C-R	3945+88233
47870	VIC	455251H	47944	VIC	200886	480005	SPG	471526!	480233	C-R	3945+99233
47874	VIC	370132A	47945	VIC	3051N	480007SK	SPG	471281!	48023D	IH	473421
47875	VIC	722250	47946	VIC	200881	48001	C-R	370005A	48024	VIC	223608
47876	VIC	370057A	47947	VIC	200392	48001	VIC	200603	48024	VIC	36X52X7!
47877	VIC	370046A	47948	VIC	17760	48002	C-R	370003A	480245	SPG	471795
47879	VIC	417506	47948	VIC	6936S	48002	C-R	415437	480249	C-R	415449+99250
47879SF	VIC	417506	47949	VIC	417433!	48002	VIC	200752	48025	VIC	224560
47880	VIC	370047A	47949	VIC	417433*	48003	VIC	200885	480250	C-R	471271+99250
47880	VIC	9584!	4794B	JN-MN	476470	48004	VIC	200887	48026	VIC	451845
47880SF	VIC	370047A	47950	VIC	223420	48005	VIC	455134!	480260	C-R	475003N+99262
47881	VIC	3592	47952	VIC	710164	480050	C-R	8792S+99050	480261	C-R	418027+99262
47885	DANA	9316	47953	VIC	222860	480055	NATL	473215	480262	C-R	9773+99262
47885	VIC	9316	47953	VIC	28X47X7!	48006	VIC	2007N	48027	VIC	710213
47887	VIC	370012A	47954	DANA	41461S	48007	VIC	223543!	480273	C-R	475322N+99274
47889	VIC	370019A	47954	VIC	41461S	480070	SPG	472185!	480274	C-R	417316+99274
47890	VIC	370195A	47955	VIC	710046	480071	SPG	472439	480275	C-R	415009N+99274
47891	VIC	386025A	47956	VIC	3553	480074	C-R	727410+99076	480278	C-R	416282+99274
47891	VIC	416158	47958	VIC	8610	48008	VIC	320583	480281	NATL	7013S
47892	VIC	710056	47959	VIC	223255	48009	VIC	223605	48028S	TROS	412920
47894	VIC	483488	4795B	JN-MN	415001!	480097	C-R	240731+99100	48029	VIC	223800
47895	VIC	417210!	47960	VIC	5698	480097	C-R	240731+99101	480293	C-R	35949N+99293
47896	VIC	473459!	47961	TROS	40094S	480098	C-R	470120+99101	480293	C-R	4563V
47897	VIC	710005	47961	VIC	3667	480099	C-R	471224+99101	480294	C-R	475012N+99293
478978	C-R	2146	47962	TROS	40097S	4800B	JN-MN	417273	480299	C-R	417349+99300
47898	VIC	3173	47962	VIC	222835	48010	VIC	224100	4802B	JN-MN	415551
47898	VIC	710928	4796492	CHRY	417158!	48010	VIC	40X65X10!	480300	C-R	415013N+99300
47899	VIC	5697	47965	VIC	240385	48010	VIC	474161	480303	C-R	415086N+99300
4789SS	JN-MN	481073	47966	VIC	221925	480101N	SPG	412119	48032	VIC	4249
4790	C-R	12X35X7!	47967	VIC	710243	48011	VIC	710058	480325	C-R	416470N+99325
47900	VIC	473677	47968	VIC	39723	480119	SPG	471442!	48033	VIC	2260
47903	VIC	4127	47969	VIC	39732	48012	VIC	3638	480331N	SPG	473452
47904	VIC	3896	4796B	JN-MN	415036	480125	C-R	471766+99125	48034	VIC	200861

! Industrial Size/Type * Minor Width Difference

= The U.S. customer service number is 877-4-TIMKEN. The Canadian customer service numbers are 800-565-4927 (English) and 800-565-0438 (French-Canadian).

NUMERICAL INTERCHANGE

Mfr. No.	Name	Zero Duplication or Recommended Industrial	Mfr. No.	Name	Zero Duplication or Recommended Industrial	Mfr. No.	Name	Zero Duplication or Recommended Industrial	Mfr. No.	Name	Zero Duplication or Recommended Industrial
48035	VIC	451817	480867	NATL	470898	48131	VIC	4122	48159	VIC	416156
480350	C-R	415991N+99350	48087	VIC	370065A	48131	VIC	470547	48158	JN-MN	415001!
480352	SPG	472164!	48088	VIC	370036A	481316	SPG	471316	48160	VIC	7568
480356V	NATL	474278	48088	VIC	370349A	48132	VIC	4503N	48161	TROS	1035=
48036	ALLCH	471647	48089	VIC	370003A	48133	VIC	714503	48161	VIC	710105
48036	VIC	471808!	480898	SPG	470898	48135	VIC	4141	48162	TROS	416664!
480365	SPG	470898	48090	VIC	370001A	48135A	RELEE	417343!	48163	VIC	4762N
48037	VIC	471766	48091	VIC	370023A	48135AD	RELEE	417366!	481643	SPG	471643!
48038	VIC	48X90X10	48092	VIC	370106A	48135B	RELEE	450260	481646	SPG	471646!
480380	SPG	470380!	480929	SPG	473237!	48135D	RELEE	473438	481649	SPG	471649!
48039	VIC	314259!	48093	VIC	370021A	48135E	RELEE	471766!	48166	VIC	4539H
48041	VIC	4165V=	48094	VIC	370037A	48135F	RELEE	415458!	48167	VIC	4189H
48041	VIC	5645	48094	VIC	370338A	48135G	RELEE	472924!	481689	SPG	471689!
48044	VIC	3459	48095	VIC	416892	48135H	RELEE	413469!	481692	SPG	471692!
48044	VIC	40X58X10!	48096	VIC	370047A	48135J	RELEE	412943	48168	JN-MN	415437*
48045	VIC	313156	48097	VIC	370131A	48135K	RELEE	473213!	481733	SPG	471733
480450	C-R	455200+99450	48098	VIC	415058	48135L	RELEE	415001!	481737	SPG	471737
48046	C-R	712449	48099	C-R	416163	48135M	RELEE	415960!	48174	C-R	456890
48046	VIC	120X160X12	48099	VIC	370069A	48135N	RELEE	411394!	48175	C-R	456890
480479	NATL	473445	48099	VIC	380069A	48135P	RELEE	472185!	48176	C-R	456890
480479H	CONSL	473445	4809OS	JN-MN	55223*=	48135S	RELEE	412119!	48176	VIC	320259
48049	VIC	710365	48100	C-R	416163	48135T	RELEE	417073	481763	SPG	471763
480494	SPG	472164!	48101	C-R	416163	48135U	RELEE	415988	481765	SPG	471765!
4804DA	IH	80313	48101	ROCKW	470954!	48135V	RELEE	472572!	481766	SPG	471766!
48050	C-R	455251H	481019	SPG	472185!	48136	VIC	5133	48177	VIC	340835
48050	VIC	3894V	48103	VIC	4278	48136X	RELEE	476470	48178	VIC	412920
480550	SPG	710058	481047	SPG	471571	48137	VIC	487945	48179	VIC	472258!
480550SSR	SPG	710058	481076	NATL	471076	48138	VIC	416706!	481795	SPG	471795
480553	SPG	471224!	4810SH	JN-MN	240119*	481384	NATL	480581	48180	VIC	710388
480565	SPG	470565!	4810SS	JN-MN	471442!*	48139	VIC	710179	48181	VIC	223012
480567	SPG	471267!	48110	DANA	710096	481397	BRWNG	481397	48182	VIC	7412S
480567R	SPG	471267!	48110	VIC	710096	48140	VIC	224255	48183	VIC	710389
480581SSR	SPG	480581	481100	SPG	471652	48141	VIC	710106	48184	VIC	7692S
480590	SPG	470590	481100SSR	BRWNG	471652	481410	AM HO	417546!	481847R91	IH	203006!
48060	C-R	455251N*	481100SSR	BRWNG	482208!	481413	NATL	471413!	481859SSR	BRWNG	481859
480605	SPG	470605!	48112	VIC	473814	481420	AM HO	416107!	48186	VIC	471645
48061	VIC	3638	481131	SPG	473215!	481420	AM HO	455073	48187	VIC	204013
480625	SPG	470625!	481134	NATL	471787!	481420	SPG	481420	481883	SPG	471870!
48063	VIC	225020	481138	SPG	471138!	481424	SPG	471424!	48189	VIC	473215!
480630	NATL	480630=	481139	SPG	473239!	48143	VIC	710101	48191	VIC	473242
48064	VIC	229005	481150	NATL	473231!	48144	VIC	4525V	48192	VIC	473458!
48065	C-R	455251H	481163	NATL	481163!	481442	SPG	471442!	48192	VIC	473458!
48065SF	VIC	4795V	481163	NATL	50319	481443	NATL	481443	48194	VIC	473517!
48067	VIC	415937	481163	NATL	6759S	481446	AM HO	412871!	48195	VIC	253099!
48068	VIC	39807	481181	NATL	481181	48145	VIC	370048A	48196	VIC	472287!
480682	SPG	470682	481181	SPG	481181!	48145	VIC	380048A	48198	VIC	474256!
480685CA	SPG	225225	481181SSR	SPG	481181!	48146	VIC	370033A	48199	VIC	473205!
480685CA	SPG	52X70X8!	481190A	FORD	471316	481466	SPG	471466!	4819989	ALLCH	472636!
48069	VIC	473241	481190A1	FORD	471316	48147	VIC	370008A	4819990	ALLCH	416556!
48070	C-R	75251S	481190A2	FORD	471316	481472	SPG	471472!	4819990	ALLCH	472157
48070	VIC	370065A	481191VJR	SPG	481191V	48148	VIC	370006A	4819991	ALLCH	J1130
48071	VIC	370036A	481192	SPG	471192	48149	VIC	417506	48200	VIC	481792
48071	VIC	370349A	481193N	SPG	471193	48150	C-R	345214=	482005	SPG	473240!
480712	SPG	470712!	48120	TROS	7780	481504	SPG	471504	482009	SPG	472397!
48072	VIC	370037A	481213	NATL	470328	48152	C-R	345214=	48201	VIC	472560N
48072	VIC	370338A	481224	SPG	471224!	48152	VIC	472258	482015	NATL	472015!
480732VD	SPG	710164	481255	SPG	471255!	481526	SPG	471526!	482016	SPG	472016!
480739VD	SPG	473241	481264	SPG	471264!	48153	VIC	470460	482018	SPG	472018
48075	C-R	75251S	481267	SPG	471267!	481538VGR	SPG	471538	48202	VIC	471570!
48075	VIC	370005A	481268	SPG	472258!	48154	VIC	415023	482020	SPG	472020
48076	VIC	370021A	48127	VIC	17780	48155	VIC	417073	482029	SPG	472029
48077	VIC	386025A	48127	VIC	6636S	481551	SPG	471551!	48203	VIC	473380
48077	VIC	416158	481271	SPG	471271!	481554	SPG	471554!	48204	VIC	471633!
48077354	GE	471255!	481272	NATL	471272!	48156	VIC	417171!	48205S	TROS	41461S
48078	VIC	370001A	481279	NATL	472213	481564	SPG	471564	48206	VIC	472185
48080	WAUKE	417171!	481289	SPG	1999	481567	SPG	471567!	48207	VIC	416961=
480821	NATL	474131	48129	VIC	3945	481568	NATL	481568	48208	VIC	444042!
480821	NATL	7013S	481294	SPG	471526!	48157	VIC	473451!	48210	VIC	471808!
48084	VIC	370023A	48130	VIC	710091	481570	SPG	471570!	48211	VIC	471137
48085	VIC	370003A	481305R	SPG	473454*	481577	AM HO	417357	48212	VIC	710204
48086	VIC	386025A	481305RAR	SPG	473454*	481577	AM HO	455192!	482125	NATL	470954
48086	VIC	416158	481308	SPG	470380!	48158	VIC	455144	482125	SPG	480821!

! Industrial Size/Type *Minor Width Difference

=The U.S. customer service number is 877-4-TIMKEN. The Canadian customer service numbers are 800-565-4927 (English) and 800-565-0438 (French-Canadian).

Mfr. No.	Name	Zero Duplication or Recommended Industrial	Mfr. No.	Name	Zero Duplication or Recommended Industrial	Mfr. No.	Name	Zero Duplication or Recommended Industrial	Mfr. No.	Name	Zero Duplication or Recommended Industrial
48213	VIC	472572	48266	VIC	4532N	483238	SPG	473238!	485072	SPG	415072
48214	C-R	418028	48267	VIC	416892	483239	SPG	473239!	4850LA	JN-MN	473016!
482144	SPG	472144!	48269	VIC	800550	483240	SPG	473240!	4850LPD	JN-MN	473016!
482163N	NATL	482163	48269	VIC	800551	483241	SPG	473241	4851	DIVCO	416738!
482163SSR	SPG	482163!	4826B	JN-MN	472397!	483242	SPG	473242	4851	DIVCO	450096
482164	SPG	472164!	48271	VIC	3896	483243	SPG	473243	485138	SPG	415138!
48217	VIC	4333N	48272	VIC	4739	483244	SPG	473244!	48513D	IH	473215!
482179	SPG	472179	48273	VIC	4857	483245	SPG	473245!	485146	SPG	415991
48218	VIC	4370N	48274	VIC	710270	483246	SPG	413246	485146	SPG	455146!
482185	SPG	472185!	48277SF	VIC	9845	483246N	WMG	413246!	485147	SPG	415449!
4821B	JN-MN	455121	48278	VIC	370019A	483247	SPG	413247!	48518D	IH	412119
48220	VIC	240462	4827B	JN-MN	473446*	483248	SPG	413248	48519	TROS	416339
48220S	TROS	6643S	48281	VIC	710414	48326	VIC	470059	48519	TROS	455031!
48221	VIC	340817	48282	VIC	710413	48327	VIC	370051A	485196	SPG	415196!
482213	SPG	472213	48284	VIC	417505	48328	VIC	416865	485197HAR	SPG	485197H=
48221S	TROS	7154S	48285	VIC	224010	48329	VIC	370078A	48519D	IH	473228!
48222	VIC	340853	48286	VIC	223520!	48330	VIC	370094A	4852214	ALLCH	415437
48224	VIC	415034!	48287	VIC	2081	48331	VIC	370119A	485259	LF-PT	415259!
48225	DANA	719316	48287	VIC	455511	48332	VIC	370199A	485303	SPG	415303!
48225	SPICE	719316	48289	VIC	710335	483323VGO	SPG	471272	485304	SPG	476470
48225	VIC	415302	48292	DANA	710452	48333	VIC	370211A	485306R1	IH	471643!
482258	SPG	472258!	48292	SPICE	710452	48335	VIC	370219A	485364	SPG	416664!
48226	VIC	450341	48292	VIC	100497V	48336	VIC	370220A	485379	SPG	415379
48227	VIC	450362	48292	VIC	4431V	48340	AMC	5759=	48539D	IH	200600
482278	SPG	471413!	48292	VIC	9316	48340	TROS	450776!	4854	SPG	1981
48228	C-R	451583!	482920	SPG	412920!	48341	VIC	415483	485406VD	SPG	2377
48229	VIC	471612	482924	SPG	472924!	48342	AMC	471827	485437	SPG	415437
482299	SPG	472299	48297	C-R	370027A	48343	AMC	471141!	485449	SPG	415449!
482299RA	SPG	472299	482971SSR	SPG	482971	48343	VIC	15X32X8	485458	SPG	415458!
48230	VIC	471736	48298	C-R	AR20+370004A	4834772	ALLCH	455151	485483	SPG	415483
48231	VIC	471887	48299	C-R	370027A	483481	NATL	471766!	48549	HYST	471192
482319	SPG	472319	483	KRSE	411376!	483481	SPG	471766!	485497	SPG	417355!
48232	VIC	25X62X10	48300	VIC	2457	483485	SPG	40769S	485497	SPG	485497
48233	VIC	472954	483010	SPG	473010!	4834LA	JN-MN	470059	485497X54	SPG	417355!
48234	VIC	473225!	483016	SPG	473016!	4834LA	JN-MN	470380!	485497X54	SPG	485497
48235	VIC	473233!	48302	VIC	473442!	48351	VIC	415449!	4856336	AMC	4857
48236	VIC	473450!	48304	VIC	482163!	48352	VIC	710268	4856336	CHRYSS	4857
48237	VIC	473455!	48305	VIC	4528N	48353	VIC	417987N	485645	SPG	415645!
48238	VIC	473474	483054RRR	SPG	483054N	48354	VIC	710275	485697	SPG	415697!
48239	VIC	474261	483054VDR	SPG	483054V	48355	VIC	455031!	4856LA	JN-MN	471750!
482393R1	IH	240735	48307	VIC	714679	48356	VIC	415991	485725	SPG	415725!
482394	SPG	472394	48308	VIC	4598	48358	VIC	412861	485836	SPG	415995!
482397	SPG	472397!	48311	WALUKE	471570!	483591	FORD	472560N!	485836	SPG	415995!
48240	VIC	25X52X10	48312	VIC	224250	48362	VIC	711553	485894	SPG	412473!
482401	NATL	473367	48313	VIC	471424!	48363	VIC	710171	485921N	NATL	413246
48241	VIC	710152	48316	VIC	710304	48365	VIC	473336	485937	SPG	415937!
48242	VIC	710136	48317	VIC	9150S	4837B	JN-MN	455136	485953	SPG	415035
48243	VIC	710182	4831CAR	SPG	710005	4838	HYST	415035	485960	SPG	415960
482435+9434	NATL	5397\$	48320	VIC	15X26X7	4838	HYST	415035!	485984	SPG	415984!
482439	SPG	472439	483203	SPG	473203	483801	SPG	1949	48600	VIC	350364
48245	VIC	710228	483204	SPG	473204	483856	ALLCH	415577	486011	SPG	417621!
48246	VIC	710199	483205	SPG	473205!	4838563	ALLCH	415577	486023	SPG	417349!
48247	VIC	222510	483210	SPG	473210	48387	VIC	TCS45939	48603	VIC	50010
482475	SPG	472475	483211	SPG	473211!	4838B	JN-MN	473450	486041	SPG	416041
48248	VIC	223253	483212	SPG	473212!	4840LA	JN-MN	417082*	486047	SPG	416332!
482492	SPG	472492!	483213	SPG	473213!	484103SGR	SPG	224470	48605SA	TRSCM	416167
4824B	JN-MN	416888!	483214	SPG	473214!	484103SGR	SPG	44X72X10!	48606	VIC	50199S!
48250	C-R	455614	483215	SPG	473215!	484132SSR	SPG	710053	48606	VIC	6863S!
48251	VIC	223831	483224	SPG	473224!	4842LA	JN-MN	471649!	48607	VIC	50199S!
48253	VIC	4904	483225	SPG	473225	4843	SKIL	471231!	48607	VIC	6863S!
48254	VIC	1981	483226	SPG	473226	484320	C-R	55353	48609	VIC	320457
48255	VIC	3622	483227	SPG	473227!	48440	TROS	6127	4860S	SPG	8312
482554RB	SPG	474276	483228	SPG	473228!	48460	TROS	472258!	4860SCR	NATL	8312
48256	VIC	710103	483229	SPG	473229!	48464	TROS	473419	4860SCR	SPG	8312
482572	SPG	472572!	483230	SPG	473230!	484766R91	IH	204008	48610	VIC	470004!
48258	VIC	710146	483231	SPG	473231!	48498D	IH	416444	486107	SPG	416107!
48259	VIC	225230	483232	SPG	473232!	484W316-M1	C-R	6638S*	48612	VIC	320457
4825LUP	JN-MN	476842	483233	SPG	473233!	485011	SPG	416921!	486125	SPG	416125!
48260	VIC	225450	483234	SPG	473234!	4850132	ALLCH	415645!	48613	VIC	471526!
48261	VIC	223230	483235	SPG	473235!	4850132	ALLCH	455104	486130	SPG	416130!
48262	VIC	710241	483236	SPG	473236!	485031	SPG	455031!	486135	SPG	416135!
482636	SPG	472636!	483237	SPG	473237!	48504	TROS	416273!	48615	VIC	471472!

! Industrial Size/Type * Minor Width Difference \$F-M Number Is Part Of A Kit
 = The U.S. customer service number is 877-4-TIMKEN. The Canadian customer service numbers are 800-565-4927 (English) and 800-565-0438 (French-Canadian).

NUMERICAL INTERCHANGE

Mfr. No.	Name	Zero Duplication or Recommended Industrial	Mfr. No.	Name	Zero Duplication or Recommended Industrial	Mfr. No.	Name	Zero Duplication or Recommended Industrial	Mfr. No.	Name	Zero Duplication or Recommended Industrial
486153	SPG	416153!	48670	VIC	50209	487254	SPG	417254	48750	VIC	50081
48615TA	TRSCM	417267	48671	VIC	481650	48726	C-R	417267	48751	VIC	450400
48617	VIC	471549!	48676	VIC	471272!	48726	VIC	473439!	48752	VIC	472164
48618	VIC	471442!	48677	VIC	471651	487262	SPG	417262!	48753	VIC	471141!
48619	VIC	471530	48678	VIC	471705!	48727	VIC	470625*	48754	VIC	473313
4862	ROCKW	410496!	48679	VIC	471735	48727	VIC	470625!	48755	VIC	50266
48620S	TROS	474276!	4867B	JN-MN	417507!	487278	SPG	417278	48756	VIC	450269
48622	VIC	472705!	4867B	JN-MN	417507	4873	C-R	455820	48757	VIC	450285
48623	VIC	471535!	4867D5	DIA	417487	48730	TROS	471763	48759	VIC	450089
48624	VIC	471551!	4867D5	DIA	417487!	48731	TROS	474274	4875RX	SPG	476470
48625	VIC	471532	48680	VIC	450342	487314	C-R	417494	48760	VIC	472070
48625TA	TRSCM	417269!	48681	VIC	471762!	487314M1	C-R	417494	48761	VIC	473449!
48626	VIC	473405	48682	VIC	471762!	487316	C-R	417198	48763	VIC	450090
48627	VIC	471558	48683	VIC	450044	487316	SPG	417316!	48763S	TROS	472157
486271	SPG	416271!	48686	VIC	450159	487318	C-R	417498	48764	VIC	473451!
486273	SPG	416273	486865	SPG	416865!	487318M1	C-R	417498	48766	VIC	473452
48628	VIC	481073	48687	VIC	350974!	487320	C-R	417355!	48766	VIC	714675
486288	SPG	416288!	48688	VIC	470712!	487320M1	C-R	417355!	48767	VIC	473453
48629	VIC	471538!	486888	SPG	416888!	487324	C-R	417205!	48768	C-R	417269!
486294	SPG	416294!	48689	VIC	471747!	487324	GR-DV	417205!	48769	C-R	417269*
4862LA	JN-MN	472164!	486891	SPG	416891!	487324	HYST	417205!	48769	C-R	417269!
48630	VIC	471579	486892	SPG	416892!	487324M1	C-R	417205!	48769	VIC	471868
48632	VIC	470954!	4868B	JN-MN	472636!	487326	C-R	417504	4876RX	SPG	4876N
486320L	C-R	417355!	48690	C-R	370195A	487326M1	C-R	417504	48771	VIC	473240!
486320L	C-R	485497	48690	VIC	471785!	487328	C-R	417211!	48772	VIC	410524
486339	SPG	416339	48691	C-R	370195A	487328	GR-DV	417211!	48775	C-R	417269!
48634	VIC	480821!	48691	VIC	473428	487328M1	C-R	417211!	48776	C-R	417269!
486345	SPG	416345!	486910602	FORD	8316	48733	TROS	416345!	48776	VIC	473461!
48636	VIC	471498	48692	VIC	471764!	48733	TROS	455033	48776D	IH	417316!
48637	VIC	471684!	486921	SPG	416921!	48733	VIC	472299	48777	VIC	471391!
48638	VIC	450033	48693	C-R	416167*	487330	C-R	417967!	48779	VIC	472492!
48639	VIC	481443!	48693	C-R	416167!	487330M1	C-R	417967!	48781	VIC	473242
4863LA	JN-MN	471141!	48694	C-R	416167!	48734	VIC	472299	48783	VIC	450311
48640	VIC	481568!	48694	VIC	453063	487343	SPG	417343!	487845R	SPG	475845
48640S	TROS	415449!	48695	C-R	416167!	487344	SPG	417344!	48785	VIC	473471
48641	VIC	471337	4869546	GE	481073	487349	SPG	417349!	48786	VIC	471272!
486414	SPG	415991!	48696	VIC	473205	487350	SPG	417350!	48787	VIC	455136
486414	SPG	415991	48697	C-R	5010=	487351	SPG	417351!	48788	VIC	415234!
48642	VIC	474273	48697	VIC	474254!	487352	SPG	418028	48789	AM WH	472439
48643	VIC	471645	48697	VIC	474254*	487354	SPG	417354!	48789	VIC	55337
48644	VIC	471686	48698	VIC	450173	487355	SPG	417355!	4879	HEIL	415449!
48645	VIC	473412	48699	TROS	473239!	487356	SPG	417356!	4879	STN-S	415449!
48646	VIC	473413	486C328	C-R	417211!	487357	SPG	417357	48790	AM WH	470088
48647	VIC	473414	48700	C-R	416167!	487358	SPG	417358	48790	VIC	411394!
48649	VIC	473415	48701	C-R	416167!	487359	SPG	417359	487908	GMC	332062
4864LA	JN-MN	455583N!	48701	TROS	5452	48736	VIC	482253	48791	VIC	411394!
4864LUP	JN-MN	455583N!	48702	VIC	471787!	487360	SPG	417360	48792	C-R	370057A
48650	VIC	471267!	48703	VIC	450177	487361	SPG	417361	48792	VIC	416444
48651	VIC	471633!	48704	VIC	470050	487362	SPG	417362!	48793	VIC	416271!
48652	VIC	470590	48704D	IH	80313	487363	SPG	417363	48794	C-R	370007A
48653	VIC	471137	48705	VIC	473424!	487364	SPG	417364	48794	VIC	470605!
48654	VIC	471730	48706	VIC	450124=	487365	SPG	417365	48795	VIC	417079
48654S	TROS	417344!	4870S	SPG	710091	487366	SPG	417366!	48796	C-R	370057A
48655	VIC	471730	4870SCR	NATL	710091	48737	VIC	451469	48796	VIC	417343!
486556	SPG	416556!	48710	VIC	473421	48738	TROS	471570!	48798	VIC	455005
486556	SPG	472157	48711	VIC	473212!	48738	VIC	473010	48799	VIC	417134
48657	VIC	471649!	48713	VIC	473436	48739	VIC	474274	487B324	C-R	417205!
48659	VIC	450038	48715	VIC	450054	4873LA	JN-MN	417570	487F324	C-R	417205!
48660	VIC	471571	487158	SPG	417158!	4873LUP	JN-MN	417570	487GA	C-R	45187S
48661	VIC	471647	48716	VIC	470774!	4874	C-R	415187	487W3	C-R	455820
48662	VIC	472951	487171	SPG	417171!	4874	GR-DV	415187	487W314	C-R	417494
48662	VIC	474252	487172	SPG	417172	4874	HU-WR	415187	487W316	C-R	417198
486624	SPG	416624!	487181	SPG	417181!	48741	VIC	450260	487W328	C-R	417211!
48664	VIC	451583!	487191	SPG	417191	48743	VIC	450073	487W4	C-R	415187
48665	VIC	471648	487196	SPG	417196!	48744	VIC	450284=	48800	VIC	417486
48666	VIC	471688	487205	SPG	417205!	48746	VIC	473446	48801	VIC	415995!
486664	SPG	416664!	48721	VIC	50254=	48747	VIC	470086	48802	VIC	417351!
486666	SPG	416666	487211	SPG	417211!	48748	VIC	450068	48803	VIC	417488!
48667	VIC	472311!	48722	VIC	473016!	48749	VIC	50191	48804	VIC	415088
48668	VIC	471733	48724	VIC	474264	4874G	CLARK	415187	48804	VIC	415088!
48669	VIC	471744!	487247	SPG	417247!	4874RX	SPG	4874N	48805	VIC	55155=
4866B	JN-MN	472029*	48725	C-R	417267	48750	C-R	417267	48806	VIC	455015

! Industrial Size/Type * Minor Width Difference

= The U.S. customer service number is 877-4-TIMKEN. The Canadian customer service numbers are 800-565-4927 (English) and 800-565-0438 (French-Canadian).

Mfr. No.	Name	Zero Duplication or Recommended Industrial	Mfr. No.	Name	Zero Duplication or Recommended Industrial	Mfr. No.	Name	Zero Duplication or Recommended Industrial	Mfr. No.	Name	Zero Duplication or Recommended Industrial
48808	VIC	417490	48880	C-R	455614	48947	VIC	417567	4905CA	SPG	710146
48809	VIC	416292	48882	C-R	370005A	48948	VIC	415128	49061	VIC	470380!
4880LA	JN-MN	471255!	48883	C-R	7866S	48949	VIC	415090	49070	TROS	5M289
4880LUP	JN-MN	471255!	48883	VIC	415142	48950	VIC	55218=	49071	TROS	5M293
48810	VIC	417491	48884	C-R	370121A	48951	VIC	415219	49071	VIC	40337S
48811	VIC	415085!	48884	VIC	417512	48953	VIC	417606	4907118	ALLCH	416297
48811	VIC	456648	48885	VIC	455203	48954	VIC	55222=	49075	VIC	471827
48812	VIC	417191	48886	C-R	370057A	48954D	IH	472287!	49081	VIC	473471
48812	VIC	455165!	48886	C-R	380003A	48955	VIC	55223=	49082	TROS	5M356
48813	VIC	417492	48886	VIC	455056	48956	VIC	55224=	49086	VIC	470954!
48814	VIC	240435	48887	VIC	455194	48956D	IH	471649!	49089	VIC	411253!
48816	VIC	240435	48888	HYST	330385!	48957	VIC	417020	4909	C-R	342805
48817	VIC	330385	48888	VIC	417513	48958	VIC	417570	49092	VIC	481864
48819	VIC	340771	48889	VIC	417514	48959	VIC	415227!	49094	TROS	5M403
4881A	HERCU	472636!	48890	VIC	417515	48960	TROS	1020	49095	TROS	5M406=
4881LA	JN-MN	417551	48891	VIC	472157	48961	VIC	415482	49098	VIC	450593!
48821	VIC	471264	48892	VIC	415196!	48962	VIC	415076	49098	VIC	450593
48823	VIC	254287!	48893	VIC	416891!	48963	VIC	417608	49099	VIC	450084!
48824	VIC	40208	48894	VIC	415045!	48967	VIC	472193*	4910	C-R	342805
48825	VIC	471224!	48895	VIC	416137	48967	VIC	472193!	49101	VIC	414045!
48827	VIC	472560N	48896	VIC	455197N	48968	VIC	330385	49103	TROS	5M445
48828	VIC	43069S	48897	VIC	417520	4896902	ALLCH	411376!	49105	VIC	5711
48829	VIC	43076S	48898	VIC	455026	48971	VIC	415064	49106	VIC	472394
48830	VIC	471766	48899	VIC	417238	4897297AA	CHRY	713103	49109	VIC	450666
48832	VIC	471192	488H320M1	C-R	417355!	48X62X8	NATL	1188	4910B	JN-MN	455356
48834	VIC	43078S	488H320M1	C-R	485497	48X62X8SB	TRSCM	1188	4911	C-R	342805
48835	VIC	43074S	488WL316-M1	C-R	417196!*	48X62X8SC	TRSCM	48X62X8!	4911	LABEQ	471760
48836	VIC	40568S	4890	MID	240735	48X62X8TC	TRSCM	48X62X8!	49110	VIC	40154S
48837	VIC	474272!	48903	VIC	415047	48X63X11SM	TRSCM	1969	4911035	WOOL	55441=
48837	VIC	474272*	48904	VIC	416149	48X63X9SC	TRSCM	48X63X9!	49111	VIC	471570!
48838	VIC	406275=	48905	VIC	415060	48X63X9TC	TRSCM	48X63X9!	49112	VIC	473444
4883964AA	CHRY	800550	48905	VIC	455060	48X65X10SC	TRSCM	48X65X10!	49113	SUL	472924!
4883B	JN-MN	413478*	48906	VIC	55199=	48X68X10SC	TRSCM	48X68X10!	49113	VIC	472924!
4883S	SPG	1956	48907	VIC	417525	48X68X10TC	TRSCM	48X68X10!	49114	VIC	474265
48841	VIC	412920!	48908	VIC	417526	48X70X8	ISP	48X70X8	49114-56B00	SUZUK	221730
4884B	JN-MN	473461!	48909	VIC	415351!	48X70X9SC	TRSCM	48X70X9!	49114-56B20	SUZUK	221730
4884S	SPG	224400	48910	VIC	416153!	48X70X9TC	TRSCM	48X70X9!	49114-60A00	SUZUK	221730
48850	VIC	455019!	48911	VIC	416154!	48X72X7SC	TRSCM	48X72X7!	49116	TROS	5M466
48851	VIC	470165	48912	VIC	55539=	48X72X7TC	TRSCM	1208	4911630	ALLCH	473459
48852	VIC	455024	48913	VIC	417533	48X72X7TC	TRSCM	48X72X7!	4911B	JN-MN	455032!
48853	VIC	417354!	48914	VIC	417534	48X75X10SC	TRSCM	48X75X10	4912	C-R	340847!
48854	VIC	417493	48915	VIC	457585	48X75X10TC	TRSCM	48X75X10	4912	C-R	8792S*
48855	VIC	455026	48916	VIC	416158	48X80X8SC	TRSCM	48X80X8	4912	LABEQ	415449!
48856	VIC	415711	48917	VIC	415064	48X80X8TC	TRSCM	48X80X8	49120	TROS	473235
48857	VIC	417497	48918	VIC	417535	48X90X10SC	TRSCM	48X90X10	49122	VIC	473441
48858	VIC	417498	48919	VIC	417536	48X90X10TC	TRSCM	48X90X10	49124	VIC	473450!
48859	VIC	417498	48920	VIC	416163	49	UNIVE	474277	49128	TROS	5M497
4885B	JN-MN	473313	48921	VIC	456890	49001	VIC	5070	49128	VIC	474281!
4885S	SPG	710092	48922	VIC	416167!	49002	VIC	5246	4912B	JN-MN	415442!
48860	VIC	415937!	48923	VIC	417267	49011	VIC	473450!	4912B	JN-MN	55442
48861	VIC	417501	48924	VIC	417269!	4901LA	JN-MN	455509	4913	C-R	340847
48863	VIC	55030	48925	VIC	417539!	4902	KELSE	200354	4913	C-R	43095S!*
48864	VIC	415379!	48926	VIC	417273	49022	TROS	5M81	4913	LABEQ	473236!
48864	VIC	415379	48927	VIC	415645!	49024	VIC	416738!	49130	VIC	473442!
48865	VIC	417205!	48927	VIC	455104	49025	VIC	473367!	49133	VIC	472287!
48866	VIC	415150!	48929	VIC	417556	49026	VIC	415007	49136	TROS	5M544
48867	VIC	455178=	48931	VIC	417562	49027	VIC	416921!	49136	VIC	6356
48868	VIC	417504	48932	VIC	417563	49029	TROS	5M89	49137	TROS	5M559
48869	VIC	455032!	48933	VIC	417298	49029	VIC	450044	49138	TROS	5M643
48870	C-R	370005A	48934	VIC	417596	4902LA	JN-MN	417546!	4914	LABEQ	415991
48870	VIC	417210!	48935	VIC	455584	4902LUP	JN-MN	417546!	4914	LABEQ	455146!
48871	VIC	417366!	48935K	IH	50081	49035	VIC	473239	49140	VIC	471866!
48872	VIC	417967!	48936	VIC	416077	49039	VIC	7600S	49141	VIC	471341!
48873	VIC	455191	48937	VIC	415116	4903CA	SPG	710158	49143	VIC	470950!
48874	VIC	417357	48938	VIC	455117	49041	VIC	471750!	49143	VIC	6241S
48874	VIC	455192!	48939	VIC	415551	49042	CATER	470590	49144	VIC	450111
48875	VIC	417357	48940	VIC	417598	49042	VIC	471354!	49146	VIC	471868
48875	VIC	455192!	48941	VIC	455406!	49046	VIC	55367=	49149	VIC	473467
48876	VIC	415036	48942	VIC	455121	49050	C-R	370003A	49149	VIC	473467!
48877	VIC	417509	48943	VIC	417602!	49050	C-R	380003A	49150	VIC	473228!
48878	VIC	55193=	48944	VIC	455123	490576C92	IH	370124A	49150SF	VIC	473228!
48879	VIC	455037	48946	VIC	417604	490577C92	IH	370131A	49153	SPICE	714675

! Industrial Size/Type * Minor Width Difference

= The U.S. customer service number is 877-4-TIMKEN. The Canadian customer service numbers are 800-565-4927 (English) and 800-565-0438 (French-Canadian).

NUMERICAL INTERCHANGE

Mfr. No.	Name	Zero Duplication or Recommended Industrial	Mfr. No.	Name	Zero Duplication or Recommended Industrial	Mfr. No.	Name	Zero Duplication or Recommended Industrial	Mfr. No.	Name	Zero Duplication or Recommended Industrial
49153	TROS	5M867	49236	VIC	6064	49317	VIC	410308!	49407	VIC	450129
49160	TROS	471192	49237	VIC	5836	49317C1	VIC	410308	49407	VIC	472826!
49161	VIC	5778	49238	VIC	473462	49318	VIC	471827	49408	VIC	473234
49162	TROS	6489	49239	VIC	471442!	49319	VIC	472560N!	4940LA	JN-MN	415995!
49163	VIC	42127S	49240	C-R	125X155X12	49320	VIC	473458!	4940LUP	JN-MN	415995!
49164	VIC	473464!	49240	VIC	471787	49321	VIC	471103!	49410	VIC	8139
49164	VIC	473464	49242	VIC	415449!	49324	VIC	5877	494117SSR	SPG	42X56X7!
491656C1	IH	3292	49243	C-R	125X155X15*	49324C1	VIC	5877	49412	VIC	6064
49168	VIC	415458!	49244	C-R	7886S	49328	VIC	9845	494123CA	SPG	494123
49170	VIC	415007	49247	VIC	471827	493287	WHITE	415351!	49413	VIC	470625!
49171	TROS	5MR71	49248	VIC	40369S	49330	VIC	416654!	49414	VIC	472475
49171	VIC	470334!	4925	C-R	342613	49331	VIC	470712	49415	VIC	471829
49172	TROS	5MR1008	4925	EATON	412871!	49336	VIC	471192	49417	VIC	470774!
49173	TROS	5MR1009	4925	FULLE	412871!	49337	VIC	470088	49418	VIC	472354!
49173	VIC	473473	49250	C-R	417539!	49338	VIC	471141!	4941LA	JN-MN	415991
49174	VIC	417073	49251	C-R	417539!	49340	VIC	472924!	4941LA	JN-MN	455146!
49176	TROS	5MR1300	49252	VIC	450765!	49341	VIC	450165	4941LUP	JN-MN	415991
49176	VIC	5756	49257	VIC	471103!	49341	VIC	471801!	4941LUP	JN-MN	455146!
49177	TROS	5MR1301	49258	VIC	40286	49342	VIC	415984!	4941VD	SPG	4941V
49177	VIC	471795	49259	VIC	40370S	49344	VIC	472397!	49420	VIC	471619!
49177D	IH	472439	49263	VIC	410496!	49346	VIC	5957S	49421	VIC	410102
49178	VIC	40769S	49264S	TROS	416271!	49347	VIC	471765!	49422	VIC	473231!
49180	VIC	450073	49268	C-R	125X160X12!	49348	VIC	5951	49424	VIC	473435
49182	VIC	415960	49268	VIC	455008	493482	WHITE	428RR	49426	VIC	417485
49184	VIC	410190	49269	VIC	410987!	49349	VIC	455151	49426C1	VIC	417485
49187	VIC	471316	49270	C-R	125X160X12	49350	VIC	473245!	49427	VIC	46997S
49189	VIC	473215!	49270	VIC	473447	49351	VIC	473467!	49428	VIC	411330!
4918LA	JN-MN	471554!	492702	NATL	4148	49352	VIC	471271!	49429	VIC	415234
49190	VIC	5790=	49271	VIC	410694!	49353	VIC	240319	49430	VIC	473213!
49191	VIC	450065	49272	VIC	473232	49354	VIC	457291	49431	VIC	450467
49193	TROS	415196!	49273	VIC	473238	49355	VIC	473197	49432	VIC	472016
49195	VIC	473440	49274	VIC	416921!	49356	VIC	40504S=	49433	VIC	450307
49197	VIC	473450	49276	VIC	412119!	49358	VIC	471231!	49434	VIC	471646!
49198	VIC	415001!	49277	VIC	415995!	49359	VIC	474278!	49435	VIC	416273!
49199	VIC	472636!	49278	VIC	473427	49359	VIC	6859S	49438	VIC	473463
4919B	JN-MN	474265	49279	VIC	416738!	49360	VIC	471466!	49439	VIC	473457!
49202	VIC	240023	49279	VIC	450096	49361	VIC	417158!	4943B	JN-MN	473420
49203	VIC	471571	49280	VIC	470530!	49362	VIC	480210!	49440	VIC	472394
49206	VIC	413469!	492805	WHITE	415449!	49363	VIC	473236!	49442	VIC	472394
49208	C-R	710405	49282	VIC	473473	49364	VIC	5756	49444	VIC	470530!
49208	VIC	455280	49283	VIC	472144!	49368	VIC	240414	49445	VIC	471689!
49209	VIC	6241S	49285	VIC	473438	49369	VIC	6064	49446	VIC	415001!
49210	C-R	125X150X12!	49287	VIC	473426	49372	VIC	473229!	49447	VIC	40576S
49210	C-R	231250	49288	VIC	471466!	49373	VIC	474272!	49448	VIC	471413
49211	C-R	125X150X12V	49289	VIC	476838!	49374	VIC	450803	49449	VIC	353141!
49211	VIC	473214*	49290	C-R	125X170X15*	493759SSR	SPG	1977	4945	C-R	471442!
49211	VIC	473214!	49290	VIC	415001!	49376	VIC	50468	49450	VIC	415449!
49212	VIC	470354	49291	VIC	417344!	49378	VIC	415483!	49451	VIC	472636!
49213	C-R	125X150X12!	49292	VIC	50631	49379	VIC	473179	49452	VIC	416654
49213	C-R	231250	49293	VIC	471442!	4938	C-R	330699	49453	VIC	415960!
49214	C-R	125X150X12V	49294	VIC	471554!	4938	C-R	342613!*	49454	VIC	470954
49214	VIC	473450!	49295	VIC	471224!	49380	VERSA	416332!	49457	VIC	471787!
49215	C-R	125X150X12!	49296	VIC	473419	49380	VIC	5921	49458	VIC	471553!
49215	VIC	472179	49297	VIC	470334!	49382	VIC	50075=	49459	C-R	471540
49216	VIC	455336	49298	VIC	415988	49383	VIC	473467!	49459	VIC	472164!
49218	VIC	43071S	49299	SPICE	710453	49385	VIC	470606!	4946	C-R	471442!
49219	VIC	471141!	49300	C-R	417273	49388	VIC	5924	49460	C-R	417540
4921B	JN-MN	471554!	49300	VIC	473211!	49389	VIC	416738!	49460	VIC	473227!
49222	VIC	470898	49301	C-R	417273	49389	VIC	450096	49462	VIC	6090S
49223	VIC	472409!	49301	VIC	50468	4939	C-R	330699!	49463	VIC	417621!
49224	VIC	472185!	49302	VIC	470682	4939	SPG	472419	49466	VIC	42763
49225	VIC	414045!	49304	VIC	473235!	49390	VIC	455151	49468	VIC	240007=
49226	VIC	6064	49305	VIC	472185!	49391	VIC	415041	49469	VIC	472015!
4923	C-R	312196!	49306	VIC	473225!	49395	VIC	472439	49470	VIC	412943
49230	VIC	7216	49307	VIC	472164!	49397	VIC	411245!	49472	VIC	417191
492300C1	IH	446927!	4931	C-R	330699!*	49398	VIC	472810!	49472	VIC	456585
49232	VIC	450274	49310	VIC	50402	49399	VIC	470898	49474	VIC	50026
492324L	C-R	55329=	49311	VIC	411500	4940	C-R	330699	49475	VIC	474253!
49233	VIC	473228!	49313	VIC	472258	49400	VIC	473010	49475	VIC	474253*
49234	ALLCH	471570!	49314	VIC	470898	49401	VIC	471649!	49476	VIC	472572!
49234	VIC	473179!	49315	VIC	470530!	49402	VIC	472012	49477	VIC	473016!
49235	VIC	5070	49316	VIC	417316!	49403	VIC	471255!	49478	VIC	473243

! Industrial Size/Type * Minor Width Difference

= The U.S. customer service number is 877-4-TIMKEN. The Canadian customer service numbers are 800-565-4927 (English) and 800-565-0438 (French-Canadian).

Mfr. No.	Name	Zero Duplication or Recommended Industrial	Mfr. No.	Name	Zero Duplication or Recommended Industrial	Mfr. No.	Name	Zero Duplication or Recommended Industrial	Mfr. No.	Name	Zero Duplication or Recommended Industrial
49479	VIC	450313	49560S	TROS	6760S	4965	C-R	471442!	49733	VIC	473468
49479C1	VIC	450313	49561	VIC	417159	49650	VIC	5585	49734	VIC	474131
49480	VIC	412871!	49562	VIC	6966S	49651	VIC	6547	49735	VIC	6703S
49481	VIC	450039	49563	VIC	6241S	49653	VIC	471571	49736	VIC	6781
49482	VIC	471264	49566	VIC	415458!	49654	VIC	470954!	49737	VIC	473010 *
49483	VIC	472179 *	49567	VIC	410059	49655	VIC	471267!	49737	VIC	473010!
49483	VIC	472179!	49567	VIC	470380!	49656	VIC	40401	49738	VIC	472409
49483	WABCO	240009	49570	VIC	470774!	49657	VIC	410987!	49739	VIC	203034
49484	VIC	411376!	49572	VIC	473179	49657	VIC	450686	49740	TROS	5414
49485	VIC	450040	49573	VIC	450776!	49658	VIC	477609 *=	49740	VIC	472179
49486	VIC	41075S	49575	VIC	471504!	49659	VIC	473235!	49741	VIC	6818
49487	VIC	471760	49577	VIC	450776!	4965961	GMC	417254	49742	VIC	353120
49488	VIC	471795	49578	VIC	240356	4966	C-R	471442	497428BG	SPG	8976S
49489	VIC	415302	49579	VIC	472560N	49663	VIC	471316	497428BX	SPG	8976S
49491	VIC	5865	49581	VIC	6532S=	4966340	GMC	417273	49743	VIC	9613S
49492	VIC	417485	49582	VIC	471835!	49666	VIC	410737!	49744	VIC	470898!
49494	VIC	3210	49583	VIC	414268	496679C1	IH	472636!	49745	VIC	415449
49495	VIC	493291	49584	VIC	412119	49668	VIC	472572!	49746	VIC	6840S
49497	VIC	471267	49585	VIC	473235	496680C1	IH	472164!	49747	VIC	9613S
49499	VIC	417344!	49585C1	VIC	473235	49669	VIC	450143	49748	VIC	6985
4950	C-R	471442	49587	VIC	472179	4967	SPG	354967	49749	VIC	6785
49501	VIC	418028	49589	VIC	40097S	49671	VIC	340400	4975	C-R	471442
49501	VIC	455137!	49590	VIC	40094S	49672	VIC	200354	4976	C-R	471442!
49503	VIC	473238	49591	VIC	471862	49674	VIC	416664!	49761S	TROS	471765!
49504	VIC	418028	49592	VIC	473228	49675	VIC	471466!	49767	VIC	7600S
49504	VIC	455137!	49598	VIC	417172	49676	VIC	6336S	4976LPD	JN-MN	472234
495045	WHITE	470004!	49600	VIC	410825	49678	VIC	6922=	4977	C-R	471442!
49505	VIC	471766!	49601	VIC	471442	49679	VIC	6855N=	49788	VIC	5797
49507	VIC	450335	49602	VIC	471526!	4968	C-R	471442	4979	C-R	471442!
49508	VIC	412119	496028	WHITE	417316!	49680	VIC	6489	49792	VIC	455249!
49509	VIC	474276	49603	VIC	40769S	49686	VIC	471192	49794	VIC	417171!
4950D5	DIA	476574N	49605	VIC	471281!	49687	VIC	340413	49796	VIC	418028
4951	C-R	240119	49606	VIC	471785!	49688	VIC	240414	49796	VIC	455137!
49510	VIC	323138!	49607	VIC	417487!	49689	VIC	340356	49798	VIC	5871
49511	VIC	42352S	49607	VIC	417487!	4968SS	JN-MN	340797	497W324	C-R	416339
49512	VIC	410737!	49608	VIC	456105	49690	VIC	471224!	497W324	C-R	455031!
49514	VIC	471820	49609	VIC	471567!	49691	VIC	40183S!	4980	C-R	471442!
49515	VIC	470954!	49610	VIC	472636!	49692	VIC	471267!	49800	VIC	417487!
49517	VIC	417181!	49611	VIC	416282	49693	VIC	240735	49805	VIC	415371
49518	VIC	473228!	49612	VIC	471344	49695	VIC	473464!	49806	VIC	415025
49519	VIC	472810!	49614	VIC	6127	49695	VIC	473464	4980629	GMC	416294!
49520	VIC	413246	49616	VIC	473238!	49696	VIC	471224!	49807	VIC	415027
49521	VIC	470354	49617	VIC	351487	49697	VIC	6847S	49807	VIC	415027!
49522	VIC	40085S!	49618	VIC	417316!	49699	VIC	6370N	49808	VIC	415043
49522	VIC	470530 *	4961G	GOODM	457874	4969LA	JN-MN	470625!	49809	VIC	415072
49523	VIC	471272!	4962	C-R	471442!	49701	VIC	340797	49812	VIC	415035
49526	VIC	481644	49620	VIC	416288	49702	VIC	410987!	49815	VIC	415196!
49527	VIC	340413	49620S	TROS	350936	49703	VIC	472560N!	49815	VIC	416380
49529	VIC	340787	49624	VIC	417316!	49705	VIC	6703S	49816	VIC	417537
49530	VIC	40566S	49625TA	TRSCM	417273	49707	VIC	7600S	49817	VIC	476470
49531	DANA	4525V	49627	VIC	481073	49709	VIC	472179	49818	VIC	415034!
495311	DANA	4525V	49629	VIC	6489	4970BX	SPG	710106	4981VJ	SPG	4981V
49533	VIC	471787	4963	C-R	471442	4970LA	JN-MN	473228	49821	VIC	455134!
49534	VIC	473458!	49630	VIC	415442!	49711	VIC	8139	49822	VIC	45637S
49535	VIC	8370S	49630	VIC	55442	49713	VIC	473179	498281	WHITE	472705!
49536	VIC	7107A=	49631	VIC	80313	49715	VIC	6636S	49829	VIC	416865
49540	VIC	483054N	496311C91	IH	416282	49716	VIC	471344	4983	C-R	240119
49540S	TROS	471827	496312C1	IH	3591	49717	VIC	471643!	49830	VIC	5751
49541	HYST	471750!	49632	VIC	200600	49718	VIC	451078!	49831	VIC	415066
49542	VIC	472354!	49633	VIC	481181!	49719	VIC	342517	49833	VIC	415437
49543	VIC	470530!	4963475	GMC	417205!	4971BX	SPG	710103	49834	VIC	417516
49545	VIC	6489	49635	VIC	472560N	49720	VIC	473234!	49835	VIC	417223
49546	VIC	415995!	49636	VIC	240731	49721	VIC	450725N=	49836	VIC	415351!
49547	VIC	472015!	49637	VIC	240736	49722	VIC	473461!	49837	VIC	370019A
49548	VIC	43086S	49638	VIC	472439	49723	VIC	472560N	4984	C-R	471442
49552	VIC	2081	4964	C-R	471442	49725	VIC	7929S	49841	VIC	451189
49552SF	VIC	2081	49640	VIC	6489	49727	VIC	417621!	49843	VIC	415085!
49554	VIC	472644	49644	VIC	6090S	4972785	GMC	415035!	49843	VIC	456648
49555	VIC	40468	49646	VIC	3173	4972785	GMC	415035!	49844	VIC	416125!
49557	VIC	474264	49646	VIC	710928	49729	VIC	472319	49845	VIC	415138!
4956	C-R	240119	49647	VIC	410825	49731	VIC	470954!	49846	VIC	370036A
49560	VIC	6846S=	49649	VIC	473459	49733	VIC	410308!	49846	VIC	370349A

! Industrial Size/Type * Minor Width Difference

= The U.S. customer service number is 877-4-TIMKEN. The Canadian customer service numbers are 800-565-4927 (English) and 800-565-0438 (French-Canadian).

NUMERICAL INTERCHANGE

Mfr. No.	Name	Zero Duplication or Recommended Industrial	Mfr. No.	Name	Zero Duplication or Recommended Industrial	Mfr. No.	Name	Zero Duplication or Recommended Industrial	Mfr. No.	Name	Zero Duplication or Recommended Industrial
49848	VIC	415023	49927	C-R	39801	49966	C-R	416865!	4B9372	CATER	455031!
4985	C-R	471442!	49927	VIC	62455=	49966	VIC	471763	4BL-0412	WHITE	370036A
49851	VIC	6644	49928	C-R	415725!	49967	VIC	327303!	4BL-0412	WHITE	370349A
49852	VIC	417355!	49929	C-R	415725!	49968	VIC	415064	4BL084	WHITE	470059
49853	VIC	415021	4993	C-R	455019!*	49969	VIC	5313\$	4BL084	WHITE	470380!
49856	VIC	415991	49931	DANA	100552	4996B	JN-MN	471354!*	4BM-0412	WHITE	5751
49856	VIC	455146!	499310	C-R	455024*	49971	VIC	415284	4BM-0470	WHITE	473215!
49857	VIC	6077	499310M1	C-R	455024*	49971906	ALLCH	471554!	4BM-084	WHITE	473215!
49860	VIC	415437	499312	C-R	415025*	4997LA	JN-MN	415138!*	4D1608	CATER	450593!
49860	VIC	415437!	499312M1	C-R	417191	49980	C-R	416865!	4D2657	CATER	471267!
49865	VIC	416229	499312M1	C-R	455165!	49981	C-R	416865!	4D3034	CATER	455117
49866	VIC	455022	499314	C-R	455026*	49981	VIC	410987=	4D3587	CATER	416339
49867	VIC	415284	499314M1	C-R	455026*	49984	C-R	416865!	4D3587	CATER	455031!
49868	VIC	415041	499316	C-R	415027!	49985	C-R	416865!	4D3881	CATER	456111=
49869	VIC	416332!	499316	C-R	415027	49990	C-R	416865	4D6592	CATER	472164!
49870	VIC	416345!	499316M1	C-R	415027	49991	C-R	416865=	4D6996	CATER	415227!
49870	VIC	455033	499318	C-R	55028*	49993	VIC	345035	4D6996	CATER	417756
49871	VIC	415187	499318M1	C-R	55028*	49994	HYST	472951	4D8576	CATER	471271!
49872	VIC	416888!	49932	C-R	455020	49994	HYST	474252	4DG-0383	WHITE	473367
49873	VIC	416892!	49932	VIC	5401\$	49995	C-R	416865!	4DG-0383	WHITE	473367!
49874	VIC	417538	499320	C-R	416125!*	49995	VIC	357302	4DG-0395	WHITE	473449
49876	VIC	417546!	499322	C-R	55030*	49995	VIC	415991	4DK-0644	WHITE	470088
49877	VIC	416107!	499322M1	C-R	55030*	49996	VIC	415991	4DKB-0644	WHITE	473238
49877	VIC	455073	499324	C-R	416339	49996	VIC	455146!	4E12560	HU-WR	471341!
49878	VIC	416666	499324	C-R	455031!	49997	C-R	416865!	4E12564	HU-WR	474278!
49879	VIC	416476!	499324M1	C-R	416339	49998	C-R	416865!*	4E13392	HU-WR	415294!
4987VJ0	SPG	9316	499324M1	C-R	455031!	49998	VIC	417355!	4E13457	HU-WR	416345!
4988	C-R	471442!	499326	C-R	455032!*	49998	VIC	485497	4E13457	HU-WR	455033
49881	VIC	415124	499328	C-R	416345!	49999	VIC	6643S	4E13759	HU-WR	417343!
49882	VIC	55028	499328	C-R	455033	499B4	C-R	415035*	4E13760	HU-WR	415036
49883	VIC	416229	499328M1	C-R	416345!	499BM4	C-R	415035*	4E13872	HU-WR	415991
49884	VIC	417356!	499328M1	C-R	455033	499W3	C-R	455019!*	4E13872	HU-WR	455146!
49884	VIC	455188	49933	VIC	5403\$	499W310	C-R	455024*	4E14664	HU-WR	471341!
49885	VIC	415058	499330	C-R	415034!	499W312	C-R	415025*	4E14766	HU-WR	474278!
49888	VIC	417507	499330M1	C-R	415034!	499W314	C-R	455026*	4E14999	HU-WR	450040
49888	VIC	417507!	49934	C-R	415021	499W316	C-R	415027	4E15000	HU-WR	471692!
49889926	ALLCH	471504	49934	VIC	5405\$	499W316	C-R	415027!	4E15001	HU-WR	473238
4988LA	JN-MN	471652*	49934M1	C-R	415021*	499W316-M1	C-R	415027!	4E15002	HU-WR	413247!
4989	C-R	240119	49935	C-R	39801	499W316-M1	C-R	415027	4E15003	HU-WR	415449!
49891	VIC	416070	49936	C-R	455022*	499W320	C-R	416125!*	4E15010	HU-WR	415379
49893	VIC	7208S	49936M1	C-R	455022*	499W324	C-R	416339	4E15010	HU-WR	415379!
49894	VIC	415394	49937	VIC	415351!	499W324	C-R	455031!	4EQB-0644	WHITE	415458!
49896	VIC	415137!	49938	C-R	415725!	499W34	C-R	415021	4F1414	CATER	55532=
49896	VIC	418028	49938K	IH	471747!	499W36	C-R	455022*	4F2090	CATER	416364!
49899	VIC	55646=	49938M1	C-R	415023	499W38	C-R	415023	4F2103	CATER	415938
498B4	C-R	415035*	49939	C-R	415725!	499W38-M1	C-R	415023	4F2285	CATER	471532
498BM4	C-R	415035*	49939	VIC	417541	49KH257	MACK	713750	4F4584	CATER	470954!
498BM4-T8	C-R	415035	4993M1	C-R	455019!*	4A-0412	WHITE	417563	4F4780	CATER	415295
498HMS4-T8	C-R	415035!	4994	HU-WR	415035	4A143	FAIRB	471571	4F4896	CATER	473232
498HMS4-T8	C-R	415035	49940	C-R	415725!	4A5X328	FWD	5M466	4F5122	CATER	416476!
4990	C-R	471442!	49941	C-R	415725!	4AK-084	WHITE	416654	4F549	CATER	411394!
49901	VIC	416892	49941	VIC	417506	4AR72510121	IH	473466	4F6888	CATER	450412
49902	VIC	417518	49943	C-R	415725!	4B-1241	WHITE	471766!	4F7389	CATER	428RR
49904	VIC	6358	49943	VIC	416125!	4B2225	CATER	471137	4F7500	CATER	417525
49905	VIC	6465	49944887	ALLCH	416130!	4B2396	CATER	473460	4F8597	CATER	55532=
49909	VIC	415697!	49947	VIC	6638S	4B2396	WESTR	473460	4F897	CATER	55532=
49909	VIC	455547	49948	VIC	6635S	4B3421	CATER	472572!	4F9172	CATER	6309=
4990B	JN-MN	55532=	49949	VIC	417353!	4B3675	CATER	472179	4FD-0644	WHITE	415023
49910	VIC	412473!	4994M1	C-R	415035	4B4371	CATER	415027!	4FE-0644A	WHITE	416288!
49911	VIC	416339	4995	C-R	471442	4B4371	CATER	415027	4FE-0936	WHITE	415458!
49911	VIC	455031!	49952	VIC	6754S=	4B4529	CATER	417621!	4FKA-084	WHITE	415001!
49912	VIC	6270	49953	VIC	370002A	4B4865	CATER	473016!	4FKW-084	WHITE	415960
49913	VIC	455402=	49957	C-R	417584	4B4967	CATER	415995!	4FKW-08	WHITE	415960
49915	VIC	416130!	49958	C-R	417584	4B5171	CATER	7208S	4G-0383	WHITE	410102
49916D	IH	417351!	49958	VIC	416297	4B5432	CATER	450536	4G-0395	WHITE	470334!
49917	VIC	415058	49958A	OSHKO	417247!	4B5432	CATER	471535!	4G-0936	WHITE	50631
4992	C-R	471442!	49959	VIC	471760	4B8024	CATER	417344!	4GCT-0396	WHITE	411500
49920	C-R	3492V	49960	C-R	417584	4B8024	WESTR	417344!	4GCT-0936	WHITE	411500
49920	VIC	456618	49961	VIC	6592S=	4B8396	CATER	415036	4GE-0395A	WHITE	415137!
49921	C-R	5665	49962	VIC	471267!	4B9371	CATER	415027!	4GE-0395A	WHITE	418028
49922	VIC	55367=	49963	VIC	370002A	4B9371	CATER	415027	4GE-0618	WHITE	417159
49926	VIC	6603* =	49965	C-R	416865!	4B9372	CATER	416339	4GE-0618A	WHITE	417159

! Industrial Size/Type *Minor Width Difference \$F-M Number Is Part Of A Kit
 =The U.S. customer service number is 877-4-TIMKEN. The Canadian customer service numbers are 800-565-4927 (English) and 800-565-0438 (French-Canadian).

OIL SEALS

4GE-0936 – 50-303495-00

Mfr. No.	Name	Zero Duplication or Recommended Industrial	Mfr. No.	Name	Zero Duplication or Recommended Industrial	Mfr. No.	Name	Zero Duplication or Recommended Industrial	Mfr. No.	Name	Zero Duplication or Recommended Industrial
4GE-0936	WHITE	412119!	4P2723	CATER	39887	5-4014	IPS	473812	50-300469-00	GOETZ	17X28X7
4GEO395	WHITE	415137!	4P2734	CATER	39888	5-4015	IPS	473179!	50-300513-00	GOETZ	17X40X7
4GEO395	WHITE	418028	4R15788	C-R	5778	5-4030	IPS	334111	50-300535-00	GOETZ	18X30X7
4GKW-084	WHITE	475348N	4R1978	GMC	415683	5-4032	IPS	1167	50-300560-00	GOETZ	19X32X7
4GT0396	WHITE	411500	4R26	CATER	416273!	5-4033	IPS	1128	50-300623-00	GOETZ	20X32X7
4H1722	CATER	471281!	4R32	CATER	415379	5-4036	IPS	223014	50-300633-00	GOETZ	20X35X7
4H1723	CATER	471442!	4R32	CATER	415379!	5-4041	IPS	473823	50-300655-10	GOETZ	20X37X7
4H572	CATER	472397!	4R35	CATER	415389=	5-4044	IPS	3395!	50-300693-10	GOETZ	40X55X8
4H8100	CATER	415458=	4R526	CATER	471554!	5-4047	IPS	494117	50-300698-00	GOETZ	20X47X7
4H8101	CATER	415995!	4R8831	CATER	39882	5-4056	IPS	494117	50-300749-00	GOETZ	22X35X7
4H9484	CATER	472572!	4R9	CATER	416257H=	5-4064	IPS	473234!	50-300804-10	GOETZ	12X25X7
4H9836	CATER	473232	4S6752	CATER	2791	5-4087	IPS	1906	50-300933-00	GOETZ	25X42X6
4H9836	WESTR	473232	4S7756	CATER	471442!	5-4093	IPS	224015	50-300995-00	GOETZ	25X52X10
4J2683	CATER	470565!	4S9006	CATER	473238	5-4099	IPS	1960	50-301064-00	GOETZ	8X14X4*
4J3043	CATER	471466!	4SC28CR	DEMPC	340927	5-4100	IPS	1956	50-301078-00	GOETZ	28X40X7
4J3923	CATER	471224!	4SK-0730	WHITE	472636!	5-4101	IPS	1959	50-301120-00	GOETZ	28X52X7
4J4190	CATER	8710=	4SK-08	WHITE	416654	5-4122	IPS	1962	50-301196-00	GOETZ	30X47X7
4J6716	CATER	471539!	4SK-084	WHITE	416654	5-4128	IPS	473238!	50-301320-00	GOETZ	32X45X7
4J7441	CATER	471413!	4TCP-084	WHITE	416282	5-4129	IPS	473238!	50-301349-00	GOETZ	32X52X7
4J7557	CATER	471554!	4U-01430	WHITE	416654	5-X265	ROCKW	5M497	50-301398-00	GOETZ	28X47X7
4J793	CATER	471570!	4UG-0730	WHITE	471141!	5-X328	KEN	5M466	50-301534-00	GOETZ	35X56X10
4J8979	CATER	470625	4UG-084	WHITE	417487!	5-X328	ROCKW	5M466	50-301538-00	GOETZ	35X58X10*
4J8980	CATER	471504	4UG-084	WHITE	417487	50-101-107A	TRMBL	370036A	50-301647-00	GOETZ	38X50X7
4J8981	CATER	710015	4UK-084	WHITE	415960!	50-101-107B	PUL	370065A	50-301647-00	GOETZ	38X52X7
4J8982	CATER	710014	4W0452	CATER	39885	50-101-107C	PUL	370338A	50-301696-00	GOETZ	30X45X8
4K1372	CATER	471692!	4W2606	CATER	39900	50-101-107D	PUL	376590A	50-301783-00	GOETZ	40X56X10
4K4114	CATER	471267!	4W2607	CATER	39899	50-101-107E	PUL	370003A	50-301814-00	GOETZ	40X62X12
4K4320	CATER	472020	4W8133	CATER	39890	50-101-107F	PUL	370007A	50-301835-10	GOETZ	40X65X10
4K4376	CATER	476470	4W8134	CATER	39889	50-101-107G	PUL	418028	50-301860-00	GOETZ	40X80X10*
4K4390	CATER	411500=	4X5763	CATER	455191	50-101-107H	PUL	370020A	50-301891-00	GOETZ	42X55X7
4K4390	CATER	411500*	4ZDK-0395	WHITE	472924!	50-101-107J	PUL	416892	50-301952-00	GOETZ	42X72X10
4K4845	CATER	473214!	5-000-684-699	RENAU	712113	50-101-107K	PUL	370015A	50-302034-00	GOETZ	20X40X10
4K4845	JOHND	473214!	5-000-684-700	RENAU	712112	50-101-107L	PUL	370107A	50-302084-00	GOETZ	45X65X8
4K5076	CATER	470954!	5-003-087-026	RENAU	712114	50-101-107M	PUL	370349A	50-302158-00	GOETZ	46X65X7*
4K5438	CATER	473244!	5-003-087-027	RENAU	712119	50-101-107N	PUL	370001A	50-302183-00	GOETZ	145X175X15
4K5654	CATER	442110=	5-003-087-028	RENAU	712118	50-101-107P	PUL	370006A	50-302218-00	GOETZ	48X68X10
4K7461	CATER	416888!	5-003-087-031	RENAU	712116	50-101-107R	PUL	370012A	50-302248-00	GOETZ	28X42X8
4K7462	CATER	416345!	5-003-087-032	RENAU	712115	50-101-107T	PUL	370019A	50-302294-00	GOETZ	50X72X8
4K7462	CATER	455033	5-3002	IPS	58X72X8	50-101-107U	TRMBL	370021A	50-302323-00	GOETZ	50X80X8
4K7463	CATER	417350!	5-3003	IPS	1195	50-101-107V	PUL	370023A	50-302436-00	GOETZ	55X72X8
4K9610	CATER	415995!	5-3014	IPS	1949	50-101-107W	TRMBL	370030A	50-302481-00	GOETZ	55X85X10
4L4360	CATER	455121	5-3015	IPS	1196	50-101-16	TRMBL	370036A	50-302483-00	GOETZ	55X90X13
4L6942	CATER	471224!	5-3016	IPS	494122	50-101-16	TRMBL	370349A	50-302581-10	GOETZ	80X110X13
4L7019	CATER	50199S!	5-3017	IPS	474134	50-101-16D	TRMBL	370036A	50-302617-00	GOETZ	60X85X8
4L7019	CATER	6863S!	5-3023	IPS	1183	50-101-16D	TRMBL	370349A	50-302643-00	GOETZ	60X90X10
4L7248	CATER	415984!	5-3025	IPS	1188	50-101-23	TRMBL	370036A	50-302666-10	GOETZ	62X85X8
4L7336	CATER	415437	5-3028	IPS	2002	50-101-23	TRMBL	370349A	50-302706-10	GOETZ	64X80X8
4L9021	CATER	351518* =	5-3029	IPS	1884	50-101-23D	TRMBL	370036A	50-302714-00	GOETZ	65X80X8
4L9822	CATER	476470=	5-3030	IPS	1977	50-101-23D	TRMBL	370349A	50-302727-00	GOETZ	60X75X8
4LD482	WITTE	411245!	5-3031	IPS	1884	50-101-3	TRMBL	370036A	50-302838-00	GOETZ	6X16X7
4M2343	CATER	470774!	5-3036	IPS	1999	50-101-3	TRMBL	370349A	50-302863-00	GOETZ	70X110X10
4M2444	CATER	415213N	5-3038	IPS	472213	50-101-54	TRMBL	370065A	50-302869-00	GOETZ	72X90X10
4M5229	CATER	470565=	5-3039	IPS	223535	50-101-54	TRMBL	376590A	50-302907-00	GOETZ	75X90X8
4M9148	CATER	471766!	5-3041	IPS	1992	50-101-80A	TRMBL	416158	50-302915-00	GOETZ	75X95X10
4M9149	CATER	473229	5-3045	IPS	1192	50-101-80B	TRMBL	416158	50-302928-00	GOETZ	55X70X8
4N0636	CATER	471224!	5-3047	IPS	1952	50-101-80C	TRMBL	416158	50-302960-00	GOETZ	75X105X13
4N0848	CATER	J1842	5-3048	IPS	1943	50-101-80D	TRMBL	416158	50-303038-00	GOETZ	80X110X10
4N1584	CATER	471649!	5-3092	IPS	224015	50-101-80F	TRMBL	416158	50-303065-00	GOETZ	82X105X13
4N636	CATER	471224!	5-3093	IPS	1950	50-101-94	TRMBL	416158	50-303096-00	GOETZ	55X75X10
4N848	CATER	J1842	5-3099	IPS	480630!	50-101-95	PUL	370037A	50-303114-00	GOETZ	85X115X13
4NFG-0395	WHITE	415001!	5-3100	IPS	1195	50-101-96	TRMBL	416158	50-303148-00	GOETZ	90X110X12
4NFG-0395A	WHITE	415001!	5-3103	IPS	1165	50-101-C	TRMBL	416158	50-303158-00	GOETZ	85X105X13
4NK-0730	WHITE	470530!	5-3104	IPS	1195	50-101B	TRMBL	416158	50-303204-00	GOETZ	95X115X12
4NK-084	WHITE	415960!	5-3108	IPS	1967	50-300035-00	GOETZ	7X16X7	50-303208-00	GOETZ	95X120X12
4P1142	ADAMS	416921!	5-3109	IPS	1209	50-300076-00	GOETZ	102X130X13	50-303253-00	GOETZ	100X120X10
4P1355	ADAMS	471137	5-3111	IPS	1984	50-300174-10	GOETZ	48X65X10	50-303290-00	GOETZ	100X130X12
4P1355	WABCO	471137	5-3113	IPS	482126	50-300249-00	GOETZ	12X32X7	50-303370-00	GOETZ	10X19X7
4P1569	ADAMS	450593!	5-3116	IPS	444116	50-300266-00	GOETZ	13X22X6	50-303449-00	GOETZ	120X150X12
4P1569	LETN	450593!	5-3127	IPS	225540	50-300288-00	GOETZ	14X24X7	50-303464-00	GOETZ	120X160X12
4P2524	ADAMS	471744!	5-3142	IPS	5696	50-300324-00	GOETZ	15X24X7	50-303477-00	GOETZ	125X150X12
4P2524	LETN	471744!	5-4004	IPS	1962	50-300354-00	GOETZ	15X30X7	50-303483-00	GOETZ	70X90X10
4P2524	WABCO	471744!	5-4009	IPS	472164!	50-300445-00	GOETZ	16X35X7	50-303495-00	GOETZ	45X85X10

! Industrial Size/Type * Minor Width Difference

= The U.S. customer service number is 877-4-TIMKEN. The Canadian customer service numbers are 800-565-4927 (English) and 800-565-0438 (French-Canadian).

NUMERICAL INTERCHANGE

Zero Duplication or Recommended Industrial		Zero Duplication or Recommended Industrial		Zero Duplication or Recommended Industrial		Zero Duplication or Recommended Industrial				
Mfr. No.	Name	Mfr. No.	Name	Mfr. No.	Name	Mfr. No.	Name			
50-303571-00	GOETZ .. 140X160X12	50-307047-70	GOETZ 35X47X7	500048	CONTI	471192	50017	HYST	473405	
50-303572-00	GOETZ .. 140X160X13	50-307065-70	GOETZ .. 115X140X12	500050	101 WHITE	J1121	500170	SELAS	5116	
50-303596-10	GOETZ .. 145X170X12	50-319004-00	GOETZ 35X72X10	500055	C-R	474278!	500175	C-R	470605!	
50-303642-00	GOETZ 17X35X7	50-319033-00	GOETZ 25X40X7	500056	C-R	205004	500176	C-R	410708	
50-303686-00	GOETZ .. 170X200X15	50-319078-00	GOETZ 35X50X7*	500057	C-R	471766!	500176	OLIVE	416654!	
50-303719-00	GOETZ .. 190X220X16	50-319078-00	GOETZ 35X50X8	500061	B-L-H	473228	500178E	WHITE	204027	
50-303782-00	GOETZ .. 240X270X15	50-319142-00	GOETZ 48X62X8	500063	ALLCH	410190	500179	C-R	410825	
50-303829-00	GOETZ 45X60X7	50-319155-00	GOETZ 35X48X8	500064	C-R	470059	5001824C	HERCU	471781N=	
50-303903-00	GOETZ .. 150X180X12	50-319164-00	GOETZ 55X68X8	500064	C-R	470380	500184	C-R	415995!	
50-303991-00	GOETZ 30X42X7	50-319166-00	GOETZ 35X45X7	500067	C-R	415984!	500185	C-R	416654	
50-304033-00	GOETZ 8X16X7	50-319168-00	GOETZ 30X48X8	50006901	WHITE	J1127	500188905	EATON	471466!	
50-304101-00	GOETZ 27X37X7	50-319197-00	GOETZ .. 100X120X12	50007	SPG	471281!	500189	C-R	417355!	
50-304115-00	GOETZ .. 95X110X10	50-319217-00	GOETZ 48X72X7	500073	C-R	410059	50019	SPG	471549!	
50-304126-00	GOETZ 38X55X7*	50-319223-00	GOETZ 45X62X8	500073	C-R	470380!	500190	C-R	417967!	
50-304140-00	GOETZ .. 160X190X15	50-319227-00	GOETZ .. 130X160X15	500075	C-R	472179	500191	C-R	455024	
50-304240-00	GOETZ 40X58X8	50-319229-00	GOETZ .. 120X140X13	500077	C-R	455191	500194	C-R	415138!	
50-304251-10	GOETZ .. 85X105X10	50-319231-00	GOETZ .. 105X130X12	500079	C-R	471785	500198	C-R	204008	
50-304279-00	GOETZ 55X80X8	50-319234-00	GOETZ 42X62X8	50007S	SPG	471281!	50019S	SPG	471549!	
50-304334-00	GOETZ .. 65X90X13	50-319248-00	GOETZ 40X62X8	50008	SPG	471532	500208	BOWEN	417546!	
50-304370-00	GOETZ 58X75X11	50-319261-00	GOETZ 50X70X9	500081	C-R	473367!	500209	C-R	472705!	
50-304381-00	GOETZ .. 100X125X12	50-319275-00	GOETZ 30X40X7	500081	C-R	473367	50021	SPG	471551!	
50-304413-00	GOETZ 58X80X8	50-319280-00	GOETZ .. 130X160X12	500086	C-R	473517!	500210	C-R	471532	
50-304478-00	GOETZ 40X55X6	50-319281-00	GOETZ 56X80X8	5000876C	WHITE	473214!	500212	C-R	471567!	
50-304488-00	GOETZ 25X52X7	50-319289-00	GOETZ 32X50X8	500089401	WHITE	473464	500213	NAPCO	416404!	
50-304514-00	GOETZ 12X28X7	50-319292-00	GOETZ 28X40X8	5000894B	WHITE	473464	500215	C-R	471647	
50-304524-00	GOETZ .. 110X130X12	50-319296-00	GOETZ 80X100X10	50008S	SPG	471532	500216	C-R	450039	
50-304592-00	GOETZ 50X65X8	50-319297-00	GOETZ .. 120X145X12	50009	SPG	471466!	500218	C-R	471224	
50-304604-00	GOETZ 40X90X8*	50-319303-00	GOETZ 35X54X8	500090	NAPCO	471224!	50021S	SPG	471551!	
50-304714-00	GOETZ .. 90X120X12	50-319304-00	GOETZ .. 110X140X13	500091	C-R	351487	500221	C-R	203005!	
50-304747-00	GOETZ 15X35X7	50-319313-00	GOETZ 8X16X7*	500093	C-R	415196!	500222	C-R	471652	
50-304820-00	GOETZ 12X30X7	50-319321-00	GOETZ 18X32X7	5000938A	WHITE	J1128	500222	C-R	482208!	
50-304838-00	GOETZ .. 150X180X15	50-319327-00	GOETZ 45X68X7*	500094	C-R	416130!	500223	C-R	471652	
50-304879-00	GOETZ .. 75X100X10	50-319328-00	GOETZ 25X35X7	500094	WHITE	471141!	500223	C-R	482208!	
50-304883-00	GOETZ 40X60X10	50-S350	LETN	413247!	500095	C-R	240319	500223	FT-WA	471103!
50-304890-00	GOETZ 16X30X7	50-S441	LETN	471341!	500097	C-R	481537	500226	C-R	471765
50-305087-00	GOETZ 68X90X10	50-S476	LETN	471344	5000978A	WHITE	J1138	500226	GMC	470954!
50-305099-00	GOETZ 60X80X8	500	UNIVE	416865!	500098	C-R	471137	500227	C-R	471413
50-305247-00	GOETZ 8X14X4	50000	C-R	416865!	50009S	SPG	471466!	500228	C-R	471750
50-305276-00	GOETZ 52X68X8	50000	CHRY S	471466!	5001	C-R	1041	500229	C-R	471750
50-305461-00	GOETZ 40X62X7	500007	C-R	473234!	5001011	WHITE	415053H=	50023	SPG	471255!
50-305478-00	GOETZ .. 148X170X15	500007	CHRY S	471466!	500117701	WHITE	471570!	500230	C-R	471766!
50-305521-00	GOETZ 50X90X10	500007	GMC	471466!	5001177B	WHITE	471570!	500232	C-R	473214
50-305535-00	GOETZ .. 85X110X12	50001	C-R	416865!	500118001	WHITE	472164!	500233	C-R	204013
50-305538-00	GOETZ 32X47X7	500010	C-R	240462	5001180B	WHITE	472164!	500234	C-R	470380!
50-305650-00	GOETZ 12X22X7	500010901	EATON	411245!	500118100	EATON	8636=	500237	C-R	472299
50-305827-00	GOETZ 30X50X8	500010901	Y-T	411245!	500122	GMC	5877	500238	CHRY S	471357
50-305940-50	GOETZ 28X38X7	500010902	EATON	472439	500131	C-R	471267!	500238	CHRY S	455192!
50-305948-00	GOETZ 40X58X10	500010902	Y-T	472439	500134	C-R	472560N!	500239	C-R	472185!
50-306056-00	GOETZ 45X60X10	500011	C-R	457291	500134	SELAS	5118	50023S	SPG	471255!
50-306111-00	GOETZ 65X85X8	500012	CONTI	471554!	500135	C-R	471498	500241	C-R	6930
50-306126-00	GOETZ 8X18X5	500017	C-R	471413	500135	MACK	472016	500241	CHRY S	471567!
50-306195-00	GOETZ 25X42X8	50002	C-R	416865!	500136	C-R	471649!	500241	CONTI	471567!
50-306228-00	GOETZ 65X85X10	500022	C-R	40401	5001363A	WHITE	J1103	50025	C-R	416865!
50-306264-00	GOETZ 35X52X7	500024	GMC	471689!	5001377A	WHITE	J1107	50025	SPG	471553!
50-306315-00	GOETZ 42X56X7	500024	C-R	471224!	50014	SPG	471472!	500250	C-R	46997S
50-306364-00	GOETZ 40X52X7	500025	C-R	476838!	500142	C-R	470712	500251	C-R	415960
50-306371-70	GOETZ 25X62X10	500026	BL-KN	472560N!	500143	CHRY S	472636!	500253	C-R	418029!
50-306386-00	GOETZ .. 110X150X12!	500026901	WHITE	J1127	500144	SELAS	5117	500254	ALLCH	473464!
50-306386-00	GOETZ .. 110X150X15	500029	C-R	471554!	500145	C-R	470774!	500254	ALLCH	473464
50-306429-00	GOETZ 42X60X7	50003	C-R	416865!	500148	C-R	471192	500254	C-R	417511
50-306498-00	GOETZ 10X26X7	50003	SPG	474277	50014S	SPG	471472!	500255	C-R	416888!
50-306503-00	GOETZ 6X16X7	500033	C-R	474278!	50015	GEM	472164!	500256	C-R	415988
50-306510-00	GOETZ 20X30X7	500034	C-R	417344!	500151	CONTI	412119!	500257	GMC	5070
50-306512-00	GOETZ 25X47X7	500039	NAPCO	450073	500152	C-R	471504!	500259	C-R	40769S
50-306515-00	GOETZ 35X62X7	500040	C-R	50468	500159	C-R	40369S	50025S	SPG	471553!
50-306521-50	GOETZ 30X52X7	500042	C-R	50191	50015A	GEM	472492!	500262	CHRY S	417196!
50-306542-50	GOETZ 42X58X7	500046	GMC	472258	500163	C-R	473234	500263	GMC	415379!
50-306554-00	GOETZ 45X72X12	500046	OLIVE	472258	500164	C-R	472492!	500263	GMC	415379
50-306609-50	GOETZ 26X37X7	500046	WHITE	472258	500168	C-R	470898	500263	MASSE	415379!
50-306756-00	GOETZ 22X45X7	500047	C-R	470774!	500169	C-R	471341!	500263	MASSE	415379
50-306762-00	GOETZ 16X24X5	500048	C-R	473215!	500169E	OLIVE	204002	500265	C-R	415960
50-306821-70	GOETZ 42X55X8	500048	CHRY S	471192	500169E	WHITE	204002	500265	C-R	415960!

! Industrial Size/Type *Minor Width Difference

= The U.S. customer service number is 877-4-TIMKEN. The Canadian customer service numbers are 800-565-4927 (English) and 800-565-0438 (French-Canadian).

Mfr. No.	Name	Zero Duplication or Recommended Industrial	Mfr. No.	Name	Zero Duplication or Recommended Industrial	Mfr. No.	Name	Zero Duplication or Recommended Industrial	Mfr. No.	Name	Zero Duplication or Recommended Industrial
50027	SPG	471554!	500324	GOODM	416339	500371	C-R	481163!	500485	GMC	450173
500272	C-R	472951	500324	GOODM	455031!	500372	C-R	470625!	50049	SPG	471750!
500272	C-R	474252	500324	GR-DV	416339	500373	C-R	470625!	500495	C-R	471870!
500274	C-R	474279N	500324	GR-DV	455031!	500374	C-R	472185!	500496	C-R	471264!
500274	GMC	415045!	50032407.5	TROS	415025	500375	C-R	472439	500498	C-R	330385!
500277	C-R	6270	500325	C-R	471652	500376	C-R	450474	50049S	SPG	471750!
500278	C-R	5751	500325	C-R	482208!	500377	SELAS	5127	5004M1	C-R	415035!
50027S	SPG	471554!	500325	NOVI	240385	50038	C-R	415023	5004M1	C-R	415035
500280	C-R	50883=	500326	C-R	455032!	50038	GR-DV	415023	5004T8	C-R	415035
500282	CHRYSS	416865!	500326	NOVI	472810!	50038	SPG	450038	5004T8	C-R	415035!
500282	GMC	416865!	500327	C-R	471692!	500380	C-R	412119!	5005	C-R	471442!
500284	C-R	471466	500327	NOVI	350936	500384	C-R	415995!	500500	C-R	471442!
500286	C-R	340724!	500328	B-L-H	416345!	500385	C-R	416345!	500503	C-R	470954
500286	CHRYSS	471765!	500328	B-L-H	455033	500385	C-R	455033	500507	C-R	472311!
500286	CONTI	471765!	500328	C-R	416345!	50038M1	C-R	471255	500508	C-R	451583!
500287	CEMAC	470530!	500328	C-R	455033	50039	SPG	450039	500509902	EATON	417082
500288	C-R	471442	500328	FAIRB	416345!	500390	C-R	471224!	500510	C-R	472560N
50029	SPG	481568!	500328	FAIRB	455033	500391	C-R	471224!	500514	C-R	471737=
500291	C-R	481073	500328M1	C-R	416345!	500394	C-R	204008	500517	C-R	471766!
500292	C-R	471553!	500328M1	C-R	455033	500396	C-R	473228!	500519	C-R	473227
500297	C-R	471567!	50032M1	C-R	455020	500397	C-R	473234!	50052	SPG	471354!
500298	C-R	471498	50032S	SPG	471570!	50039S	SPG	450039	500520	C-R	473227
500298	NAPCO	415437!	50033	SPG	455033	5003M1	C-R	455019!	500527	C-R	471141!
500298	NAPCO	415437	500330	C-R	415034!	5004	C-R	415035!	50052S	SPG	471354!
5003	C-R	455019!	500330M1	C-R	415034!	5004	C-R	415035	500530	C-R	473197
5003	FAIRB	455019!	500331	C-R	204020	50040	SPG	450040	500535	C-R	455129
50030	SPG	474253	500331	C-R	204505!	50040007.5	TROS	415035	500537	C-R	455297
50030007.5	TROS	455019!	50033207.5	TROS	415027	500401	C-R	473459!	500539	C-R	6064
50030807.5	TROS	415021	500333	C-R	470712	500401	C-R	473459	50054	SPG	450054
50030S	SPG	474253	500334	C-R	470712	500403	C-R	41013S	500541	C-R	41081S=
50031	SPG	473413	50033607.5	TROS	55028	500407	C-R	410308!	500543	C-R	6985
500310	C-R	471689!	50033608	TROS	55028	50040S	SPG	450040	500545	C-R	6952S=
500310	GOODM	455024	50033S	SPG	455033	50041	SPG	450593!	50055	SPG	473215!
500310K	GOODM	455024	50034	C-R	415021	500411	C-R	470565!	500550	C-R	6245S=
500310M1	C-R	455024	50034	SPG	474273	500416	C-R	410987!	500557	C-R	203008
500312	C-R	415025	50034007.5	TROS	370011A	500416	C-R	450686	50055S	SPG	473215!
500312	GR-DV	415025	50034011.5	TROS	416125!	50041S	SPG	450593!	500561	C-R	100495
50031207.5	TROS	370012A	500343	C-R	471750	500420	C-R	100495	500561	C-R	417349
500312M1	C-R	415025	500344	C-R	471766!	500420	C-R	417349	500562	C-R	417344!
500314	C-R	455026	50034407.5	TROS	55030	500423	C-R	415995!	500563	C-R	417485
500315	C-R	471760	500346	C-R	471766!	500423	C-R	415995!	500565	C-R	417158!
500316	B-L-H	415027!	50034807.5	TROS	416339	500424	C-R	415085!	500567	C-R	415995!
500316	B-L-H	415027	50034807.5	TROS	455031!	500424	C-R	456648	500567	C-R	415995!
500316	C-R	415027!	50034810	TROS	416339	500428	C-R	471341!	50057	SPG	473225!
500316	C-R	415027	50034810	TROS	455031!	50043	SPG	473419	500570	C-R	417134
500316	CABOT	415027!	500349	C-R	7686S	500433	C-R	472157	500576	C-R	415991!
500316	CABOT	415027	50034M1	C-R	415021	500433	C-R	472157!	500576	C-R	415991
500316	GOODM	415027	50035	CLARK	470898!	500437	C-R	472439	500577	C-R	415437
500316	GOODM	415027!	500350	C-R	450165	50043S	SPG	473419	50057S	SPG	473225!
50031607.5	TROS	415034!	500350	C-R	471801	50044	C-R	455134!	500580	C-R	455134!
500316M1	C-R	415027!	500351	C-R	6370N	50044	SPG	450044	500582	C-R	472157
500316M1	C-R	415027	500352	C-R	473423	500441	C-R	204017	500582	C-R	472157!
500316TB	C-R	415027	500354	C-R	472826!	500442	C-R	473235	500585	C-R	455037
500316TB	C-R	415027!	500356	C-R	472354!	500443	C-R	450412	500586	C-R	455037
500318	C-R	55028	50035607.5	TROS	416345!	500446	C-R	9613S	500589	C-R	416888!
500318M1	C-R	55028	50035607.5	TROS	455033	500448	C-R	416239!	50059	SPG	470059
500319	C-R	480210!	500357	C-R	472258	50044M1	C-R	455134!	50059	SPG	470380!
50032	C-R	455020	500359	C-R	473215!	50045	SPG	476838!	500590	C-R	416888!
50032	NOVI	330385!	50036	C-R	455022	50045S	SPG	476838!	500591	C-R	370023A
50032	SPG	471570!	50036	SPG	473415	50046	C-R	415295	500594	C-R	415371
500320	C-R	416125!	50036007.5	TROS	415034!	50046M1	C-R	415295	500595	C-R	415138!
500320	HU-WR	416125!	5003600X01	WHITE	470380!	50047	SPG	473426	500596	C-R	370036A
500320	MINMA	416125!	500362	C-R	470950!	500474	C-R	6489	500596	C-R	370349A
50032007.5	TROS	455024	500362	C-R	6241S	500475	C-R	473445	500597	C-R	45637S
500320M1	C-R	416125!	500363	C-R	470950!	500476	C-R	471766!	500598	C-R	415058
500321	C-R	471762!	500363	C-R	6241S	50047S	SPG	473426	500599	C-R	415060
500321	NOVI	330385	500364	C-R	6952S=	50048	SPG	450048	500599	C-R	455060
500322	C-R	473420	500365	C-R	7245	500480	C-R	50199S	50059S	SPG	470059
500323	C-R	471652	500366	C-R	473016!	500480	C-R	6863S!	50059S	SPG	470380!
500323	C-R	482208!	500367	C-R	473225!	500482	C-R	412920!	50060	GARLK	471442!
500324	C-R	416339	500368	C-R	473226	500483	C-R	370030A	500600	C-R	415064
500324	C-R	455031!	50037	SPG	471137	500484	C-R	417538	500600	UNIVE	415725!

! Industrial Size/Type

= The U.S. customer service number is 877-4-TIMKEN. The Canadian customer service numbers are 800-565-4927 (English) and 800-565-0438 (French-Canadian).

NUMERICAL INTERCHANGE

Mfr. No.	Name	Zero Duplication or Recommended Industrial	Mfr. No.	Name	Zero Duplication or Recommended Industrial	Mfr. No.	Name	Zero Duplication or Recommended Industrial	Mfr. No.	Name	Zero Duplication or Recommended Industrial
500601	C-R	417269!	500690E	OLIVE	471424!	500811	C-R	415027*	500952	C-R	476470
500602	C-R	417273	500690E	WHITE	471424!	500817	C-R	483054N	500952	C-R	476470!
500603	C-R	416865!	500693	C-R	417353!	50082	SPG	473238	500958	C-R	480210!
500604	C-R	417262!	500697	C-R	417134	500825	C-R	417520	50095S	SPG	473464!
500605	C-R	414045!	50069S	SPG	473232	500828	C-R	455197N	50095S	SPG	473464
500607	C-R	416107!	50070	C-R	204509!	500829	C-R	415295	50096	SPG	416738!
500607	C-R	455073	50070	IRON	473215!	50082S	SPG	473238	50096	SPG	450096
500608	C-R	7378	50070	SPG	472185!	50083	SPG	472924!	500960	C-R	472185!
50061	SPG	470950!	500700	C-R	6754S=	500831	C-R	415021	500966	C-R	470605!
50061	SPG	6241S	500701	C-R	415196!	500832	C-R	455197N	500967	C-R	471344
500611	C-R	416229	500702	C-R	416137	500836	C-R	55199=	50096S	SPG	416738!
500613	C-R	416239!	500705	C-R	417538	500839	C-R	6863S!	50096S	SPG	450096
500616	C-R	415379	500706	C-R	417247!	50083S	SPG	472924!	50097	SPG	413469!
50061S	SPG	470950!	500707	C-R	416167!	50084	SPG	450084!	500976	C-R	240319
50061S	SPG	6241S	500708	C-R	417267	500844	C-R	471647	500978	C-R	473313
50062	SPG	474264	50070S	SPG	472185!	500845	C-R	472951	50097S	SPG	413469!
500625	FAIRB	416865!	50071	SPG	472439	500845	C-R	474252	50098	SPG	412943
500625	UNIVE	416865!	500710	C-R	415645!	500846	C-R	323138!	500981	C-R	416332!
500628	C-R	470898	500710	C-R	455104	500847	C-R	472475	50098S	SPG	412943
500629	C-R	473467!	500711	C-R	417556	50084S	SPG	450084!	50099	SPG	411253!
50062S	SPG	474264	500713	C-R	417563	50085	SPG	470530!	500997	C-R	471887
50063	C-R	416865!	500715	C-R	455117	500850	C-R	471766!	500999	C-R	417492
50063	SPG	471820	500717	C-R	417598	500853	C-R	471829	50099S	SPG	411253!
500630	C-R	471272!	500718	C-R	417602!	500854	C-R	471344	500BM4	C-R	415035*
500631	C-R	451143	50071S	SPG	472439	500855	C-R	471829	500F38	C-R	415023
500633	C-R	415899N	50072	GARLK	471526!	500857	C-R	7107A=	500F4	C-R	415035
500633	C-R	416624	500725	CEMAC	476470	50085S	SPG	470530!	500FM4	C-R	415035
500634	C-R	410708	500728	CEMAC	472924!	500861	C-R	451948	500GF312	C-R	415025
500636	C-R	415991	50073	SPG	450073	500863	C-R	6547	500HL38	C-R	418028
500636	C-R	455146!	500731	C-R	472299	500865	C-R	473464!	500W324	C-R	416339
500637	C-R	416664!	500735	CEMAC	471192	500865	C-R	473464	500W324	C-R	455031!
500639	C-R	417484!	500736	CEMAC	473367!	500866	C-R	40101S	500W4	C-R	415035!
50063S	SPG	471820	500736	CEMAC	473367	500867	C-R	412871!	500W4	C-R	415035
50064	SPG	471821!	500739	C-R	415991	50087	SPG	473313	500W4-M1	C-R	415035!
500640	SELAS	5108	500739	C-R	455146!	500870	C-R	415458!	500W4-M1	C-R	415035!
500642	C-R	417343!	50073S	SPG	450073	500872	C-R	411348!	5010	C-R	471442
500644	C-R	417344!	500741	C-R	415991	500873	C-R	412473!	50100	C-R	416865!*
500645	C-R	417316!	500741	C-R	455146!	500879	C-R	203013	50100	SPG	410694!
500647	C-R	415007	500742	C-R	415379!	50087S	SPG	473313	501005	C-R	415995!
500648	C-R	415960!	500742	C-R	415379	50088	SPG	470088	50100S	SPG	410694!
500649	C-R	455008	500743	C-R	415437!	500883	C-R	240414	50101	SPG	412119!
50064M1	C-R	415295	500743	C-R	415437	500885	C-R	415234!	5010107A	PUL	370036A
50064S	SPG	471821!	500746	C-R	415023	500887	C-R	470806	5010107U	PUL	370021A
50065	C-R	416865*	500749	C-R	55030	50088S	SPG	470088	5010107W	PUL	370030A
50065	SPG	450065	500750	C-R	370002A	50089	SPG	450089	501011	C-R	471689!
500650	UNIVE	417541	500751	C-R	415697!	500890	C-R	55692=	501016	C-R	455121
500651	C-R	455008	500751	C-R	455547	500893	C-R	7457N	50101S	SPG	412119!
500652	C-R	415960!	500755	OLIVE	471442!	500894	CHRYS	471141!	50102	SPG	410102
500653	C-R	455280	50076	SPG	470334!	5009	NATL	471141!	501023	C-R	471787
500656	C-R	417621!	500768	C-R	450467	50090	SPG	450090	501026	C-R	472924!
500659	C-R	476470!	500769	C-R	416444	500906	C-R	417600	501027	C-R	473367!
500659	C-R	476470	50076S	SPG	470334!	500907	C-R	417507	501027	C-R	473367
50065S	SPG	450065	50077	SPG	474281!	500907	C-R	417507!	501028	MAGNA	471255!
50066	SPG	473367	500771	C-R	474276!	500908	C-R	417509	50102S	SPG	410102
50066	SPG	473367!	5007738	EATON	6792=	500909	C-R	455203	50103	SPG	410987!
500662	C-R	412473!	500778	WHITE	470950!	50092	SPG	473458!	501030	C-R	415021
500663	C-R	471192	500778	WHITE	6241S	500920	C-R	416167!	501032	C-R	455290
500669	C-R	415995!	500779	C-R	410694!	500921	C-R	415725!	501033	C-R	473426
50066S	SPG	473367!	50077S	SPG	474281!	500922	C-R	417278	50103S	SPG	410987!
50066S	SPG	473367	50078	SPG	473444	500923	C-R	417262!	501041	C-R	471224!
50067	SPG	473228	500781	C-R	415001!	500927	C-R	416271!	50105	C-R	416865!*
500675	WHITE	470334!	500783	CONTI	455024	50092S	SPG	473458!	50105	NATL	414045!
500675	WHITE	50289	500787	C-R	471705!	500930	C-R	417541	50107	SPG	473471
50067S	SPG	473228	500788	C-R	6832S	500931	C-R	417546!	501080	C-R	472560N
50068	IRON	471192	50078S	SPG	473444	500932	C-R	417556	501083	C-R	415991
50068	SPG	450068	500790	C-R	471760	500934	C-R	455117	501083	C-R	415991!
500680	C-R	417343!	500799	WHITE	455005	500936	C-R	415551	501096	C-R	472164
500680	WHITE	416125!	5008	C-R	324234V	50094	SPG	473462	5010B	JN-MN	470088*
500683	WHITE	473460	500801	C-R	417563	500944	C-R	470590	5011	C-R	471442!
500687	C-R	416125!	500806	C-R	450269	50095	C-R	416865!*	5011035	WOOL	455480!
50069	IRON	473197	50081	GARLK	471472!	50095	SPG	473464!	501109	C-R	473229
50069	SPG	473232	500810	C-R	471651	50095	SPG	473464	50110S	TROS	6754S=

! Industrial Size/Type *Minor Width Difference

=The U.S. customer service number is 877-4-TIMKEN. The Canadian customer service numbers are 800-565-4927 (English) and 800-565-0438 (French-Canadian).

Mfr. No.	Name	Zero Duplication or Recommended Industrial	Mfr. No.	Name	Zero Duplication or Recommended Industrial	Mfr. No.	Name	Zero Duplication or Recommended Industrial	Mfr. No.	Name	Zero Duplication or Recommended Industrial
50111	SPG	450111	501348	C-R	471526!	501613	C-R	415449!	501734	C-R	415027!
501116	C-R	6090S	501349	C-R	254287	501614	C-R	6127	501734	C-R	415027
501120	C-R	471442!	50135	C-R	417278	501615	C-R	6077	501735	C-R	415379
50113	TROS	417353!	50135	SPG	471192	501619	C-R	200354	501735	C-R	415379!
501141	C-R	417597	501350	C-R	340797	50161S	SPG	471764!	501736	C-R	455079!
50115	ESSIC	471341!	50135S	SPG	471192	50162	SPG	471765!	501737	C-R	417316!
50115	SPG	473467	50136	SPG	470625!	501622	C-R	417316!	501745	C-R	471736
50115S	SPG	473467	50136S	SPG	470625!	501623	C-R	417262!	501746	C-R	470898*
50116	SPG	473450	50137	SPG	471529	501628	C-R	471564	501748	C-R	200640
50116S	SPG	473450	501379	C-R	7751H	50162S	SPG	471765!	50175	TROS	7600S
50117	SPG	472572!	501379E	OLIVE	450765!	50163	SPG	471766!	501754	C-R	471281!
501177	C-R	340771	501379E	WHITE	450765!	501632	C-R	415449!	50176	AM WH	417316!
501178	C-R	240731	50137S	SPG	471529	501632	C-R	415449!	501764	C-R	471567!
50117S	SPG	472572!	50138	SPG	473459	501633	C-R	415001!	501767	C-R	471689!
50118	SPG	473449	50138S	SPG	473459	501636	C-R	417210!	501768	C-R	471689!
501180	C-R	471413	50139	SPG	472234	50163S	SPG	471766!	501769	C-R	204005
501181	C-R	7886S	50139S	SPG	472234	501643	C-R	415458!	50177	AM WH	50528
501182	C-R	353120	50140	SPG	471413!	501647	C-R	450776!	50177	SPG	450177
501183	C-R	330385	501406	C-R	6863S!	501649	C-R	410308!	501773	C-R	471760
501184	C-R	3103!	501417	C-R	240319	50165	SPG	450165	501778	C-R	451817
50118S	SPG	473449	501418	C-R	8059S	50165	SPG	471801!	501780	C-R	473234
50119	SPG	471442!	501422	C-R	240470	501653	C-R	44053	501782	C-R	472164!
501191	C-R	472354!	50143	SPG	450143	501659	C-R	473228!	501784	C-R	472319
501192	C-R	240356	501437	C-R	240435	50165S	SPG	450165	501786	C-R	203002
501196	SELAS	2146	501438	C-R	7412S	50165S	SPG	471801!	501788	C-R	450430
501197	C-R	470954!	50144	SPG	473226	501663	C-R	203006!	501789	C-R	451948
501197	SELAS	2146	50144S	SPG	473226	501664	C-R	470898	501790	C-R	472924!
50119S	SPG	471442!	50145	SPG	473460	501668	C-R	455858	501791	C-R	470530!
5011LA	JN-MN	417621!	501455	C-R	55337	501669	C-R	456618	501796	C-R	416271!
5011LUP	JN-MN	417621!	50145S	SPG	473460	50167	C-R	8126S	501799	C-R	415995!
50120	SPG	471224!	50147	SPG	450147	501671	C-R	472185!	50180	C-R	417543
501201	C-R	441130	50148	C-R	417541	501673	C-R	470712!	501802	C-R	415027
501203	C-R	5957S	50148	NATL	473463	501675	C-R	345146	501802	C-R	415027!
501204	C-R	470898!	50149	SPG	40769S	501678	C-R	417357	501803	C-R	455189
501209	C-R	6532S=	501493	ALLCH	473215!	501678	C-R	455192!	501805	C-R	455583N!
50120S	SPG	471224!	501499	C-R	240435	501679	C-R	455194	501807	C-R	471442!
50121	SPG	472409!	50150	C-R	417541	50168	C-R	417542	501808	C-R	471551!
501213	C-R	8792S	50150	SPG	471750!	50168	DANA	4525V	501811E	MINNM	471887
501219	C-R	340413	501500	C-R	240698	501683	C-R	472924!	501811E	OLIVE	471887
50121S	SPG	472409!	501507	C-R	412119!	501685	C-R	340771	501815	C-R	473227!
501222	C-R	42260S	50151	SPG	472560N!	501686	C-R	451583!	501817	C-R	470625!
501223	C-R	311189	50152	SPG	473205	501687	C-R	471564	501817902	EATON	40085S
501229	C-R	254270	501536	C-R	240816	501689	C-R	451583!	501818	C-R	470059
501233	C-R	7018N=	501537	C-R	240735	50169	SPG	473214	501818	C-R	470380!
501239	C-R	415035	501538	C-R	5976S	501690	C-R	480210!	50182	SPG	471747!
501239	C-R	415035!	50154	SPG	473234	501690911AM	CHALL	471272!	501820	C-R	410059
50124	C-R	380069A	50154S	SPG	473234	501690993	CHALL	415303!	501820	C-R	470380!
50124	C-R	416865	50155	C-R	417541	501691	C-R	50209	5018200	CALI	417223
501243	C-R	471554	50155	SPG	473447	501695	C-R	471705!	501821	C-R	473228
501244	C-R	240027=	501554	C-R	240733	501697	C-R	471787	501824	C-R	472924!
501260	C-R	3103!	501557	C-R	7014S	501699	C-R	40169S	50182S	SPG	471747!
501263	C-R	5951	50155S	SPG	473447	50169S	SPG	473214	50183	ESSIC	472179
501266	C-R	350936	50156	NATL	350156	5016LA	JN-MN	416891!*	50183	SPG	472179
501281	C-R	470409!	50156	NATL	473096	50170	C-R	417542	501831	C-R	415995!
501281	C-R	50409	501573	C-R	340724!	501700	C-R	7886S	501833	C-R	415991
50129	SPG	450129	501579	C-R	40286	501705	C-R	470898	501833	C-R	455146!
50129	SPG	472826!	50158	SPG	471762!	501706	C-R	203034	501834	C-R	416024
501296	C-R	240119	501580	C-R	340136	501709	C-R	442380	501835	C-R	45031S
50129S	SPG	450129	501582	C-R	6241S	50171	SPG	473016!	501837	C-R	415036
50129S	SPG	472826!	501585	C-R	40566S	501714	C-R	416921!	501838	C-R	417621!
50130	C-R	417278	501586	C-R	40071S	501718	C-R	471255!	501839	C-R	412473!
501312	C-R	340853	50158S	SPG	471762!	50171S	SPG	473016!	50183S	SPG	472179
50132	C-R	417278	50159	SPG	450159	50172	C-R	417542!	50184	SPG	471571
50132	SPG	412920!	50160	SPG	471763	501722	C-R	416476!	501840	C-R	470059
50132S	SPG	412920!	501602	C-R	470334!	501723	C-R	416865!	501840	C-R	470380!
50133	C-R	417278	501607	C-R	471272!	501724	C-R	415066	501841	C-R	470354
50133	SPG	450133	501608	C-R	473464!	501725	C-R	417536	501842	C-R	470354
501332	C-R	473367!	501608	C-R	473464	501726	C-R	45637S	501843	C-R	415437
501332	C-R	473367	50160S	SPG	471763	501728	C-R	415150!	501843	C-R	415437!
501333	C-R	5458	50161	SPG	471764!	50173	SPG	450173	501845	C-R	6863S!
50133S	SPG	450133	501610	C-R	472157!	501733	C-R	415027	501847	C-R	471076
50134	C-R	417278	501610	C-R	472157	501733	C-R	415027!	501848	C-R	474278!

! Industrial Size/Type * Minor Width Difference

= The U.S. customer service number is 877-4-TIMKEN. The Canadian customer service numbers are 800-565-4927 (English) and 800-565-0438 (French-Canadian).

Mfr. No.	Name	Zero Duplication or Recommended Industrial	Mfr. No.	Name	Zero Duplication or Recommended Industrial	Mfr. No.	Name	Zero Duplication or Recommended Industrial	Mfr. No.	Name	Zero Duplication or Recommended Industrial
50184S	SPG	471571	501933	C-R	471737 =	50204S	SPG	471231!	502223	C-R	417498
50185	C-R	417544	501934	C-R	472475	502056	C-R	416153!	502225	C-R	472150
50185	SPG	473229	501938	C-R	40059S	502058	C-R	417247!	502229	C-R	472193!
501850	C-R	1126	50194	SPG	473010	502059	C-R	416154!	50222S	SPG	471684!
501850	C-R	474276!	501940	C-R	472299	502061	C-R	5578	502236	C-R	50402
501854	C-R	474256	501942	C-R	50501	502068	C-R	418028!	502245	C-R	6872S
501854	CHRYS	474256	501943	CONTI	471651	502069	C-R	412119	50225	GARLK	471255!
501857	C-R	7600S	501944	C-R	6954S	50207	NATL	470207	502252	C-R	5408
501858	C-R	472492!	501944	CONTI	471267!	502075	C-R	5452	502259	C-R	416664!
501859	C-R	470898	501946	CONTI	473414	502078	C-R	352541	50226	SPG	470590
50185S	SPG	473229	501947	C-R	200110	50208	SPG	451583!	502262	C-R	415938
50186	SPG	473236!	501948	C-R	40337S	502081	C-R	5406	50226S	SPG	470590
501860	C-R	450326	501949	C-R	410987!	502083	CONTI	471466!	502272	C-R	472394
501863	C-R	415483!	50194S	SPG	473010	502083	H-S	471466!	502276	CONTI	473229
501864	C-R	416273!	50195	C-R	417545	50208S	SPG	451583!	502280	H-S	240356
501866	C-R	415259!	50195	NATL	470195!	502090M1	MASSE	474272	502285	AVCO	472150
501867	C-R	415991	501950	C-R	415483!	502098	C-R	471808!	502285	C-R	414045!
501868	C-R	34503S	501952	C-R	415458!	502099	C-R	471808!	502285	CONTI	472150
50186S	SPG	473236!	501955	C-R	455008	502100	C-R	240435	502285	H-S	472150
50187	SPG	471619!	501956	C-R	415995!	502100	CONTI	471648	502285	HERCU	472150
501870	C-R	75251S	501962	CONTI	481650	502104	AVCO	471765!	5022LA	JN-MN	473466
501871	C-R	415327	501963	CONTI	471553!	502104	CONTI	471765!	5022LPD	JN-MN	473466
501872	C-R	470334!	501964	C-R	473010!	502104	H-S	471765!	5022LUP	JN-MN	473466
501873	C-R	471763	501964	CONTI	471272!	502104	HERCU	471765!	50230	ESSIC	471689!
501874	C-R	473231!	501965	C-R	472179!	502109	C-R	6785	50230	SPG	471689!
501876	C-R	450065	501966	C-R	473452	502110	C-R	417603!	502303	C-R	476470
501877	C-R	472164!	501968	C-R	472397!	502112	C-R	416394	502305	C-R	45825S
501878	C-R	470530!	501969	C-R	451078!	502113	C-R	417604	502308	C-R	471466!
501879	C-R	50631	501969	CONTI	471539!	502117	C-R	417567	50230S	SPG	471689!
50187S	SPG	471619!	50197	SPG	471103!	50212	SPG	481644	502317	C-R	350435
501880	C-R	416273!	501970	C-R	415995!	502120	C-R	415128	50232	SPG	471705!
501881	C-R	200600	501974	C-R	473236!	502126	CONTI	471192	502327	C-R	471649!
501882	C-R	415449!	501975	C-R	44052	50213	GARLK	471264!	502328	C-R	471649!
501885	C-R	42763	501977	C-R	473234!	502131	C-R	471818	50232S	SPG	471705!
501887	C-R	472016	501978	C-R	3210	502132	C-R	40183S!	50233	SPG	471733
50188S	SPG	450188	501980	C-R	474278!	502133	C-R	416476!	502330	C-R	471705!
50189	SPG	471692!	501983	C-R	7208S	502136	C-R	6489	502333	C-R	471763
501890	C-R	417210!	501986	C-R	473243	502139	C-R	415234!	502334	C-R	480630
501891	C-R	417171!	501987	C-R	40973S	50214	SPG	473414	502337	C-R	331107N
501895	C-R	415483!	501988	C-R	473444!	502141	C-R	470764!	50233S	SPG	471733
501896	C-R	472636!	50199	SPG	50199S!	502141	C-R	50764	502345	C-R	472636!
501898	C-R	473467!	50199	SPG	6863S!	502145	C-R	471646!	502347	C-R	340815
501899	C-R	471141!	501992	C-R	5759 =	502148	C-R	55301S	502351	C-R	471765!
50189S	SPG	471692!	501993	C-R	473234!	502149	C-R	455480!	502352	C-R	472213
501900	C-R	473447	501994	C-R	6815	50215	SPG	471646!	502353	C-R	470059
501901	C-R	210914	501997	C-R	473237!	502153	C-R	417507!	502353	C-R	470380!
501902	C-R	4148	50199S	NATL	6863S	502153	C-R	417507!	502354	C-R	473213!
501902	C-R	471424!	501G324	C-R	45031S	502155	C-R	416892!	502355	C-R	473231!
501903	C-R	471424!	501HL38	C-R	418028	502156	C-R	472397!	502358	C-R	473228!
501904	C-R	471344	502 UNIVE		417546!	50215S	SPG	471646!	50236	SPG	470712!
501905	C-R	204007 =	50200	NATL	320457	50216S	TROS	455037	502360	C-R	472070
501906	C-R	6489	502000	C-R	450593!	50217	SPG	471647	502362	C-R	40183S!
501908	C-R	205017	502000	CONTI	416956	502171	C-R	473215!	502365	C-R	417366!
501917	C-R	203005!	502002	C-R	476470!	50217S	SPG	471647	502368	C-R	471272!
501917	C-R	205005	502004	C-R	480630!	502180	C-R	6336S	50236S	SPG	470712!
501918	C-R	471633!	502005	C-R	410737!	50219	SPG	471649!	50237	GARLK	471564
50192	SPG	473473	502007	C-R	7107A =	502192	CONTI	473214!	50237	SPG	471744!
501922	C-R	254287	502008	C-R	6960	502196	C-R	5405	502370	C-R	410102
501922903	EATON	415213N	50201	GARLK	471466!	50219S	SPG	471649!	502372	C-R	45827S
501922904	EATON	455134!	502010	C-R	415991!	5022	SPG	224835	502375	C-R	415350
501923902	Y-T	417366!	502010	C-R	415991!	5022	SPG	48X68X10!	502376	C-R	415303!
501925901	Y-T	J1127	502015	C-R	416364!	50220	SPG	481650	502380	C-R	417158!
501925902	EATON	J1105	50202	SPG	472705!	502203	C-R	450472!	502381	C-R	417487
501925903	EATON	J1111	502021	CHRYS	415458	502210	C-R	415072	502384	C-R	417366!
501925905	EATON	J1134	502021	CONTI	415458!	502212	C-R	417210!	502387	C-R	471795
501925906	EATON	J1132	502021	H-S	415458!	502214	C-R	450040	502388	C-R	471795
501925908	EATON	J1136	50202S	SPG	472705!	502217	C-R	472015!	502389	C-R	470625!
501925910	Y-T	J1129*	502038	CONTI	417158!	502219	C-R	471498	50239	SPG	450342
501927	C-R	480210!	50204	SPG	471231!	50222	SPG	471684!	502391	C-R	455136
501928	C-R	474253!	502043	C-R	6241S	502220	C-R	415150!	502392	C-R	415449!
501928	C-R	474253	502045	C-R	415371	502221	C-R	455253	502393	C-R	415449!
501929	C-R	480210!	502047	C-R	6245S =	502222	C-R	476470	50239S	SPG	450342

! Industrial Size/Type * Minor Width Difference

= The U.S. customer service number is 877-4-TIMKEN. The Canadian customer service numbers are 800-565-4927 (English) and 800-565-0438 (French-Canadian).

Mfr. No.	Name	Zero Duplication or Recommended Industrial	Mfr. No.	Name	Zero Duplication or Recommended Industrial	Mfr. No.	Name	Zero Duplication or Recommended Industrial	Mfr. No.	Name	Zero Duplication or Recommended Industrial
5023LA	JN-MN	411245!	502574	C-R	471649!	502755	SPG	450275	50291	SPG	471141!
502400	C-R	481443!	502575	C-R	471652	502760	C-R	417516	502917	C-R	451583!
50241	SPG	471785!	502578	C-R	474278!	502765	C-R	473225!	502918	C-R	471733
502417	C-R	450467	502579	C-R	470590	502774	C-R	412119!	50291S	SPG	471141!
50241S	SPG	471785!	50258	SPG	482253	502776	C-R	412473!	50292	TROS	473238!
502424	C-R	470898*	502581	C-R	471689!	502782	C-R	9613S	502921	C-R	6241S
502426	C-R	417344!	502582	C-R	472354!	502783	C-R	474272!	502928	C-R	473238
502436	C-R	470954	502585	C-R	471766!	502788	C-R	474272	502929	C-R	450084!
502439	C-R	417267	502589	C-R	473517!	502784	C-R	473467	502929800	EATON	473231!
50244	SPG	471787!	50258S	SPG	482253	502785	C-R	410987!	502933	C-R	413247!
502441	AVCO	471567!	502591	C-R	473016!	502788	C-R	471442!	502937	C-R	470774!
502441	CONTI	471567!	502592	C-R	473213!	50279	CLARK	471766!	502938	C-R	415960
502441	H-S	471567!	5026	C-R	471526!	50279	SPG	450279	502939	C-R	472810!
502441	HERCU	471567!	50260	SPG	450260	502793	C-R	473438	502945	C-R	471472=
502442	C-R	481568!	502604	C-R	471231!	502798	C-R	340823	50295	SPG	472144!
502443	C-R	471498	502607	C-R	450188	502799	C-R	472193!	502952	C-R	481397
502447	C-R	471413	502608	C-R	472354!	5027LUP	JN-MN	417433!	502953	C-R	471688
50244S	SPG	471787!	502609	C-R	471764!	50280	CLARK	473243	502956	C-R	471733
50245	SPG	471795	502610	C-R	471192	50280	SPG	450280	502957	C-R	205004
502453	C-R	471760	502611	C-R	471801!	502800	C-R	40268=	50295S	SPG	472144!
502454	C-R	450400	502616	C-R	450275	502801	C-R	40071S	502963	C-R	472213
502457	C-R	474256	50262	SPG	470682	502803	C-R	451469	502964	C-R	473231!
502458	C-R	40494S	502621	C-R	410987!	502805	C-R	471870!	502965	C-R	473237!
50245S	HERCU	471795	502624	C-R	415349	50280S	SPG	450280	50298	SPG	473239
50245S	SPG	471795	502626	C-R	55524	502810	C-R	472144!	502984	C-R	418028
502460	C-R	473234!	502627	C-R	55155=	502816	C-R	471984	502984	C-R	455137!
502464	C-R	41013S	502628	C-R	416288	502820	C-R	412040	502987	C-R	415991
502465	C-R	472179	502629	C-R	416288!	502821	C-R	471271!	50298S	SPG	473239
502466	C-R	450285	50262S	SPG	470682	502822	C-R	413247!	502990	C-R	416891!
502469	C-R	40627S=	502630	C-R	417492	502825	C-R	416271!	502993	C-R	470712!
502470	C-R	470898	502631	C-R	415498	502826	C-R	415449!	502994	C-R	473214*
502471	C-R	473244	502634	C-R	415937!	502827	C-R	417474	502994	C-R	473214
502477	C-R	470954	502637	C-R	450593!	502828	C-R	410825	502995	C-R	470059
502478	C-R	200763	502639	CONTI	471192	502829	C-R	455005	502995	C-R	470380!
502479	C-R	411394!	502642	C-R	350364	502830	C-R	417480!	502997	C-R	450666
50247S	SPG	473211!	502649	AVCO	471192	502831	C-R	415082	50299S	TROS	473241
502480	C-R	493291	502649	CONTI	471192	502832	C-R	417350!	50300	SPG	472394
502486	C-R	415001!	502649	H-S	471192	502832	NAPCO	471341!	503000	C-R	415458!
502487	C-R	455151	50265	SPG	473235!	502836	C-R	416654	503003	C-R	6532S=
50248S	SPG	473436	50265S	SPG	473235!	502837	C-R	476470	503006	C-R	417196!
502491	C-R	416921!	50267	SPG	472070	502838	C-R	416624!	503008	C-R	417254
502495	C-R	417205!	502671	C-R	471413	502843	C-R	415991!	503009	C-R	7006S
502496	C-R	417967!	502679	C-R	472258	502843	C-R	415991	50300S	SPG	472394
502498	C-R	415142	50267S	SPG	472070	502844	C-R	416865!	50301	SPG	472397!
502500	C-R	470712!	502680	C-R	471760	502846	C-R	45187S	5030128	EATON	473237!
502501	C-R	450129	502681	C-R	471760	50285	SPG	450285	50301S	SPG	472397!
502501	C-R	472826!	502689	C-R	42352S	502850	C-R	415025	50302	SPG	472012
502502	C-R	470487!	50269	CLARK	472924!	502852	C-R	416892!	503020	C-R	6781
502503	C-R	450073	50269	SPG	450269	502853	C-R	415284	503022	C-R	472234
502506	C-R	472179	502690	C-R	474255	502854	C-R	416865!	503026	C-R	415995!
502507	C-R	471827	502691	C-R	473212!	502855	C-R	471835!	503027	C-R	8370S
502508	C-R	473473	502693	C-R	473215!	502856	C-R	471141!	503029	C-R	470088
502509	C-R	472016	502697	C-R	450065	502857	C-R	470898*	50302S	SPG	472012
502512	C-R	410496!	502698	C-R	50327	50286	SPG	474274	50303	SPG	472015!
502517	C-R	6930	5026LA	JN-MN	471766!	502860	C-R	471733	503030	C-R	472636!
502518	C-R	417351!	502702	C-R	472164!	502864	C-R	240119	503031	C-R	415379!
502524	C-R	415447	502712	C-R	473450!	502869	C-R	473228	503034	C-R	471553!
502529	C-R	473229	502713	C-R	472144!	50286S	SPG	474274	503038	C-R	471689!
502530	C-R	473228	502715	C-R	472924!	502871	C-R	414045!	503039	C-R	473214
502531	C-R	410190	502717	C-R	472397!	502872	C-R	411330!	50303S	SPG	472015!
502534	C-R	473449	502726	ALLCH	411253!	502873	C-R	415995!*	503043E	OLIVE	204047=
502536	C-R	472924	502730	C-R	410987=	502873	C-R	415995!	503044R1	BUC-E	412040
502540	C-R	472015!	502731	C-R	411330!	502879	C-R	416282	503046	C-R	472164!
502541	C-R	473462	502732	C-R	412861	502881	C-R	7376=	503047	C-R	471862
502543	C-R	410737!	502735	C-R	415449!	502888	C-R	471649!	503048	C-R	473179
502544	C-R	472636!	50273S	SPG	450273	502898	C-R	416738!	503050	C-R	471750!
502548	C-R	416271!	50274	SPG	450274	502898	C-R	450096	5030591050	GOETZ	710289
502550	C-R	417350!	502745	C-R	417487	502899	C-R	210945	50306	SPG	473461!
502557	C-R	7866S	502747	C-R	412473!	50290	TROS	472492!	5030604550	GOETZ	710288
502565	CONTI	473444	502750	C-R	417493	502901	C-R	417621!	503063	C-R	415034!
502571	C-R	471571	502754	C-R	417211!	502902	C-R	415025	503066	C-R	472572!
502573	C-R	471224!	502759	C-R	417520	502905	C-R	410308	503067	C-R	6855N=

! Industrial Size/Type * Minor Width Difference

= The U.S. customer service number is 877-4-TIMKEN. The Canadian customer service numbers are 800-565-4927 (English) and 800-565-0438 (French-Canadian).

Mfr. No.	Name	Zero Duplication or Recommended Industrial	Mfr. No.	Name	Zero Duplication or Recommended Industrial	Mfr. No.	Name	Zero Duplication or Recommended Industrial	Mfr. No.	Name	Zero Duplication or Recommended Industrial
5030679950	GOETZ	710290	503348	C-R	205035	503582	C-R	470645	503808	C-R	481568!
503068	SPG	473461!	503355	SPG	450335	503584	C-R	471579	503809	C-R	471647
50307	SPG	450307	50336	SPG	474255	503585	C-R	471539!	50381	SPG	471652
50307S	SPG	450307	503361	C-R	418028	50358S	SPG	473231	503811	C-R	450033
50308	SPG	410308!	503365	C-R	8635S	50359	SPG	473448	503812	C-R	481568!
50308S	SPG	410308!	503368	C-R	470530!	503591	C-R	473232!	503814	C-R	471579
50309	SPG	471391!	50336S	SPG	474255	503593	C-R	482253	50381S	SPG	471652
50309S	SPG	471391!	503372	C-R	415991	503598	C-R	450516	50382	SPG	474276!
503113	C-R	240023	503372	C-R	455146!	50359S	SPG	473448	50382S	C-R	481864
503114	C-R	340787	50339	SPG	450339	50360	SPG	471870!	503828	C-R	482253
503117	C-R	471270!	503400	C-R	455612=	503600	C-R	474274	503831	C-R	473367!
503119	C-R	345146	503402	C-R	473367!	503604	C-R	473436	50385	SPG	330385!
50311S	SPG	450311	503408	C-R	471538!	503607	C-R	473224!	503852	C-R	417316!
50312	SPG	472016	50340S	SPG	450340	503608	C-R	472258!	50385S	NATL	240385
503128	C-R	471570!	50341	SPG	450341	50360S	SPG	471870!	503860	C-R	472185!
50312N	SPG	472016	503410	C-R	471553!	50361	SPG	472193!	503872	C-R	472299
50312S	SPG	472016	503416	C-R	471267!	503612	C-R	472354!	503877	C-R	473235!
50313	SPG	450313	503419	C-R	471553!	503614	C-R	473228	503880	C-R	472287!
50313S	SPG	450313	503421	C-R	471553!	503617	C-R	473437	50389	SPG	472492!
503144	C-R	450593!	50343	SPG	450343	503620	C-R	353141!	503894	C-R	473211!
503149	C-R	204008	503431	C-R	471579	503621	C-R	473228	503895	C-R	473228
50315	SPG	473245!	503432	C-R	450040	503623	C-R	471192	503898	C-R	473232!
503150	C-R	415124	503435	C-R	481568!	503624	C-R	470625!	50389S	SPG	472492!
503151	C-R	455123	503440	C-R	471567!	50362S	SPG	450362	503908	C-R	450275
503154	C-R	8139	503442	C-R	470390	503630	C-R	40185	503909	C-R	471821!
503159	C-R	450133	503443	C-R	471646!	503635	C-R	40438S	50391	CLARK	473229
50316	SPG	472636!	503444	C-R	471571	50364	SPG	350364	503912	C-R	474264
503160	C-R	417238	503448	C-R	471553!	503644	C-R	473444	503913	C-R	473442!
503161	C-R	455024	503450	C-R	481568!	503645	C-R	450984	503916	C-R	450274
503163	C-R	45013S	503452	C-R	470506!	503646	C-R	473215!	503917	C-R	473232!
50316S	SPG	472636!	503455	C-R	471529	503647	C-R	40568S	503924	C-R	473225!
50317	SPG	411394!	503466	C-R	481568!	503649	C-R	474274	503925	C-R	470596
503173	C-R	473179	503468	C-R	451583!	50365	SPG	470898	50393	CLARK	471765!
50317S	SPG	411394!	50347	SPG	474254	503651	C-R	473367!	503936M1	MASSE	JV1166
503187	C-R	473215!	503470	C-R	471538!	503652	C-R	450523	503939M1	MASSE	200851
503189	C-R	415437	503474	C-R	471224	503658	C-R	5871	50394	CLARK	471835!
50319	SPG	481163!	503479	C-R	470506!	50365S	SPG	470898	50394	SPG	473227
50320	SPG	473475	50347S	SPG	474254	503671	C-R	470354	503946	C-R	472018
503205	C-R	471567!	503480	C-R	471571	503672	C-R	470354	503949	C-R	472029
503218	C-R	415458!	503481	C-R	471648	503675	C-R	416107!	50394S	SPG	473227
50322	SPG	412040	503482	C-R	471647	503675	C-R	455073	50395	NOK	710262
503221	C-R	416865!	503490	C-R	473414	503699	C-R	6643S	50395	SPG	472354!
503223	C-R	455134!	503491	C-R	474253	503711	C-R	471316	503954	C-R	412040
503225	C-R	476838!	503491	C-R	474253 *	503725	C-R	80313	503955	C-R	7216
50322R1	IH	6090S	503495	C-R	450588!	503727	C-R	473231!	50396	NOK	710263
50322S	SPG	412040	503499	C-R	481568!	503728	C-R	353141!	503961	C-R	412871!
503232	C-R	470950!	5035	C-R	471526!	503729	C-R	415060	503965	C-R	470605!
503232	C-R	6241S	50350	SPG	413247!	503729	C-R	455060	503966	C-R	413248
503233	C-R	473445	50350S	SPG	413247!	50373	SPG	451948	503974	C-R	415302
503238	C-R	472144!	50351	SPG	471504!	503730	C-R	417556	503979	C-R	415449!
503242	C-R	413246	503514	C-R	6897=	503735	C-R	470328	50398	SPG	450398
503247	C-R	471649!	50351S	SPG	471504!	503735	C-R	481213!	50398	SPG	471267!
503259	C-R	417492	50352	SPG	472164!	503736	C-R	40520S	503981	C-R	417073
50326	SPG	450326	503521	C-R	410190	503737	C-R	471526!	503982	C-R	415001!
503266	C-R	471354!	503526	C-R	473317	50373S	SPG	451948	503986	C-R	416273!
503270	C-R	418028	503528	C-R	471391!	50374	SPG	411500	503987	C-R	415988
503270	C-R	455137!	503529	C-R	473462	503741	C-R	40059S	503988	C-R	415458!
503279	C-R	412943	50352S	SPG	472164!	50374S	SPG	411500	50398S	SPG	450398
50328	ESSIC	470328	50354	SPG	470354	50375	SPG	6936S	50398S	SPG	471267!
50328	ESSIC	481213!	503548	C-R	417022	503750	C-R	6663S	503993	C-R	415988
503281	C-R	45825S	503549	ALLCH	471141!	50375S	SPG	450375	503VB7	MARI	416865!
503282	C-R	416332!	503549	C-R	415656	50375S	SPG	6936S	504	UNIVE	415645!
503283	C-R	415351!	50354S	SPG	470354	50375S	SPG	9845	504	UNIVE	455104
503289	C-R	473464!	503550	C-R	410825	503762	C-R	473473	50400	SPG	450400
503289	C-R	473464	503551	C-R	55236	503766	C-R	291295	504003	ROSS	472560N!
50329	SPG	412871!	50356	NATL	474278!	503772	C-R	472144!	504004	C-R	415082
503293	C-R	417134	50356	WMG	474278!	503779	C-R	472924	504004	ROSS	474278!
50329S	SPG	412871!	503562	C-R	474253 *	503787	C-R	452222!	504005	ROSS	323138!
50331	HYST	473473	503562	C-R	474253	503788	C-R	472287!	504006	ROSS	474276
50331NA	SPG	473452	503575	C-R	471498	503789	C-R	416297	504007	ROSS	450400
50332	SPG	450332	503577	C-R	471571	503801	C-R	471647	50400S	SPG	450400
503344	C-R	473238	50358	SPG	473231	503804	C-R	471648	504010	C-R	55469

! Industrial Size/Type *Minor Width Difference

= The U.S. customer service number is 877-4-TIMKEN. The Canadian customer service numbers are 800-565-4927 (English) and 800-565-0438 (French-Canadian).

Mfr. No.	Name	Zero Duplication or Recommended Industrial	Mfr. No.	Name	Zero Duplication or Recommended Industrial	Mfr. No.	Name	Zero Duplication or Recommended Industrial	Mfr. No.	Name	Zero Duplication or Recommended Industrial
504012	C-R	410496!	504258	C-R	473231	50479S	SPG	473445	505377	C-R	471413!
504014	C-R	411245!	50427	GARLK	470954!	50479SA	SPG	473445	50539S	SPG	414268!
504015	C-R	415483!	504281	C-R	710028	50479SA	Y-T	473445	5053B	JN-MN	417511
504016	C-R	416664!	504285	C-R	710030	50480	SPG	323138!	50540	SPG	450540
504017	C-R	415001!	50430	SPG	450430	50480S	NATL	323138!	505409	C-R	7338N
504018	C-R	415001!	504301	C-R	455019!	50482	SPG	450482	50541	SPG	471689!
504020	C-R	455079!	504303	C-R	471354!	50482S	SPG	450482	505412	C-R	8059S
504022	C-R	417343!	50431	SPG	471539!	5048340	AMC	.5759=	50543	SPG	474272
504024	C-R	417344!	50431S	SPG	471539!	50485	SPG	411330!	505434	C-R	340787
504025	C-R	415960	504326	C-R	7607	50487	SPG	470487!	50545	SPG	450545
504026	C-R	415007	50433	GEHL	471539!	50487S	SPG	470487!	5054601	CALI	416666
50403	SPG	470774!	50433	SPG	471138!	50489S	SPG	473244	5054621	CALI	455330!
504030	C-R	417134	504332	GMC	6064	50491	NATL	480491	50548	SPG	470625!
504034	C-R	6270	50433S	SPG	471138!	50492	SPG	450492	5054821	CALI	415295
504036	C-R	417267	50435	NATL	350435	50494	SPG	472164!	50552	SPG	470565!
504038	C-R	417082	50438	SPG	472299	504946	C-R	472572!	50552S	SPG	470565!
50403S	SPG	470774!	504388	C-R	410524	504949	C-R	415284	5055403	CALI	415960!
504046	C-R	415498	50438S	SPG	472299	504951	C-R	471532	50557	SPG	450557
504047	C-R	415437	50441	SPG	471341!	504951	NAPCO	J1110=	50557	SPG	471255!
504054	C-R	415035	50441S	SPG	471341!	50496	SPG	410496!	50563	DANA	100696
504055	C-R	415035	50442	WHITE	410708	50496S	SPG	410496!	50565S	TROS	418028
504062	C-R	415035	504424	C-R	472409	5049B	JN-MN	481864	50567	SPG	471267!
504062	C-R	415035!	50444	SPG	471835!	504VB7	MARI	417546!	50567S	SPG	471267!
504066	C-R	455189	504444	C-R	471765!	505000	AT IM	417349	505680	C-R	473448
504068	C-R	327303!	50444S	SPG	471835!	505003	AT IM	352541	505686	C-R	40301S
504069	C-R	455191	504451	C-R	414045!	505005	C-R	330385!	505687	C-R	473239
504071	C-R	417357	50446	GARLK	471554!	505009	C-R	471538	50569	TROS	472299
504071	C-R	455192!	50446	SPG	450446	505016	C-R	471192	505700	C-R	473461!
504076	C-R	417506	504487	C-R	417602!	505018	C-R	473231!	505701	C-R	450307
504078	C-R	416891!	50449	SPG	471270!	50502	SPG	474260	505703	C-R	473474
50408	CLARK	471141!	504498	C-R	200110	505020	C-R	8362	505705	C-R	473238
504081	C-R	416892	50449S	SPG	471270!	505022	C-R	470898!	505709	C-R	472636!
504083	C-R	455251H	5045	C-R	471526=	505037	C-R	.5499=	50571	SPG	412027
504086	C-R	417533	5045	C-R	471526	505040	C-R	6966S	505714	C-R	40101S
504088	C-R	415047	504502	C-R	418029!	505051	C-R	471538	505715	C-R	410694!
504089	C-R	417525	504504	C-R	415351!	505055	NAPCO	J1112	505716	C-R	450111
50409	CLARK	471141!	50451	SPG	480630!	505073	C-R	473459	505720	C-R	470380!
50409	NATL	470409!	504516	C-R	417356!	505089	C-R	331173	505722	C-R	455321
504091	C-R	455251H	504516	C-R	455188	505125	C-R	472157	505725	C-R	411376!
504095	C-R	415351!	50452	SPG	473197	505143	C-R	331301N	505729	C-R	6626S
504099	C-R	417269!	50452S	SPG	473197	50516	SPG	450516	505738	C-R	40301S
504100	C-R	417273	50453	SPG	473224!	505161	C-R	40059S	505741	C-R	472397!
504104	C-R	6465	50453S	SPG	473224!	50519	SPG	471271!	505746	C-R	471554!
50412	SPG	450412	50455	SPG	472319	50519S	SPG	471271!	505750	C-R	471276
504123	C-R	418028	504554	C-R	415142	5051B	JN-MN	415458!	505751	C-R	471281!
504123	C-R	455137!	50456	SPG	450456!	50520	SPG	471272!	505753	C-R	415254
504124	C-R	475348N	50457	SPG	450457	50520S	SPG	471272!	5057LA	JN-MN	412473!
50413	NATL	353132	504579	C-R	415483!	50521	CUMMI	472164!	5058140	TAYLR	415447
504132	C-R	471549!	50457S	SPG	450457	50521	OLIVE	472185!	50585	CLARK	240151
5041320	GMC	471466!	50458	GARLK	471567!	50521S	SPG	473423	50588	GARLK	471643!
50414	SPG	473211!	504592	C-R	473179	50522	GEHL	472258!	50588S	SPG	450588
50415	CLARK	470898!	5046	C-R	471526!	50522	SPG	472258!	505892C1	IH	416287
50415	SPG	450415	50460	CLARK	472354!	505227	C-R	340815	505892C1	IH	416288!
50417	CLARK	410694!	50461	SPG	473440	50522S	SPG	472258!	505906	C-R	471608
504173	C-R	450666	50461S	SPG	473440	50523	SPG	450523	505910	C-R	471466!
504191	C-R	471504!	50463	SPG	450463	50524	OLIVE	473228	505919	C-R	473237
50421	SPG	450765!	504631	SPICE	473215!	505248	C-R	342805	50593	SPG	450593!
504221	C-R	473245!	504632	SPICE	472636!	50525	NATL	471887	505930	C-R	331227H
504223C1	IH	473474=	504636	MAGNA	471554!	50527	SPG	474276!	505989	C-R	474278!
504229C1	IH	413247=	504637	MAGNA	471224!	50529	SPG	450984	505989	C-R	6859S
504231	C-R	410102	504637	UNIVE	417546!	50530	SPG	470530!	505VB7	MARI	416107!
504232	C-R	470530!	504638	MICH	417546!	505302	C-R	240151	505VB7	MARI	455073
504237	C-R	471649!	50464S	TROS	6855N=	505308	C-R	40555	506	UNIVE	415938
504238	ALLCH	471762!	50467	SPG	450467	505308	C-R	40555S!	50600	C-R	128X150X15!
504238	C-R	413246	50469	SPG	481537	505310	C-R	415437	506003-A	WHITE	370001A
504239	ALLCH	473234	50470	SPG	472810!	505317E	OLIVE	455820	50604S	SPG	455820
504239-C1	IH	471267!	50472	SPG	450472!	50532	SPG	450532	50605TA	TRSCM	415725!
50424	CUMMI	473228	50472S	SPG	450472!	505322E	OLIVE	455079!	50606	NATL	470606!
50424	OLIVE	473228	50474	SPG	450474	50533	SPG	450533	506061	C-R	7188S
50424	WHITE	473228	50476	NATL	471344	50534	SPG	471255!	506062	C-R	473473
504251	C-R	5924	504781	C-R	6936S	50535	SPG	450535	5060658	EATON	417343=
504252	C-R	471413	50479	SPG	473445	50535	SPG	471264!	5060658	Y-T	417343=

! Industrial Size/Type

= The U.S. customer service number is 877-4-TIMKEN. The Canadian customer service numbers are 800-565-4927 (English) and 800-565-0438 (French-Canadian).

NUMERICAL INTERCHANGE

Mfr. No.	Name	Zero Duplication or Recommended Industrial	Mfr. No.	Name	Zero Duplication or Recommended Industrial	Mfr. No.	Name	Zero Duplication or Recommended Industrial	Mfr. No.	Name	Zero Duplication or Recommended Industrial
506068	C-R	474260	50669	SPG	50199S!	506VB7	MARI	455104	507322	C-R	473424!
5060D	GOODM	455480!	50669	SPG	6863S!	507001	C-R	471567!	507334	C-R	473212!
5060LA	JN-MN	450593!	506697C1	IH	710006	507009E	MINNM	471570!	507336	C-R	450604
50610H	IH	471820	5067	C-R	471526!	507048	C-R	476470	507339	C-R	473212!
5061100	CALI	415234!	50670	C-R	7378	507052	C-R	415995!	507353	C-R	6489
5061101	CALI	415234!	506708	C-R	416404!	507052	C-R	415995!*	507358	C-R	473454
506180	C-R	415991	506723	C-R	476470=	5070888	EATON	415938	507360	C-R	451845
50619	SPICE	472015!	506726	C-R	456105	5070888	Y-T	415938	507361	C-R	471760
506193	C-R	471413!	506731	C-R	415899N	507108	C-R	320457	507364	C-R	471808!
506194	C-R	471267!	506731	C-R	416624	507114	C-R	472705!	507365	C-R	472164!
506198	C-R	9376	506733	C-R	455144	507118	C-R	240119	507367	C-R	470565!
5061LA	JN-MN	476838!	506742	C-R	417354!	507124	C-R	471532	507368	C-R	472150
5062	C-R	471526!	506746	C-R	415437	507126	C-R	471466	50737	SPG	410737!
506245	C-R	7188S	506747	C-R	415437	507132	C-R	471530	507373	C-R	472016
50625	SPG	470625!	506747	C-R	415437!	507133	C-R	471530	507375	SPG	410737!
506255	C-R	331107N	506754	C-R	455032!	507139	C-R	470004!	507382	C-R	450621
50625SA	TRSCM	416865	506755	C-R	415025	507140	C-R	470004!	507390	C-R	473464
50625TA	TRSCM	416865!	506759	C-R	415027!	507149	C-R	471264	507394	C-R	473462
50626S	SPG	413248	506759	C-R	415027	50715	GARLK	471646!	507397	C-R	5836
5062MG	GOODM	415035	50675TA	TRSCM	417542	50715	GMC	470530!	507424	C-R	415138!
5062MG	GOODM	415035!	506778	C-R	340823	507156	C-R	471535!	507431	C-R	472287!
506314	C-R	340413	50678	GARLK	471267!	507160	C-R	473405	507442	C-R	473427
506315	C-R	240414	506789	C-R	455336	507169	C-R	240023	507445	C-R	416476!
50633	SPG	471276	50679	NATL	470954!	507171	C-R	471255!	507455	C-R	7780
50634S	SPG	472475	506791	C-R	471103!	507173	C-R	471558	507478	C-R	472560N!
50635TA	TRSCM	417278	506797	C-R	240435	507174	C-R	471558	507482	C-R	450307
506379	C-R	472234	506798	C-R	240435	507182	C-R	481650	507493	C-R	5797
50639	SPG	450639	506799	C-R	474279N	507183	C-R	481650	507505	C-R	470712!
506391	C-R	7013S	5068	C-R	471526!	507184	C-R	471651	507507	C-R	470682
50640	C-R	7376=	506800	C-R	472810!	507185	C-R	471651	507510A	HARWA	50X75X10
506438	C-R	474278!	506803	C-R	416865!	507186	C-R	471651	507548	C-R	415379
506438	C-R	6859S	506806	C-R	417362!	507188	C-R	40328	507550	C-R	417518
50644	GMC	416273!	506813	C-R	416229	507193	C-R	470606!	507551	C-R	474272*
50645	C-R	455290	506830	C-R	413469!	507203	C-R	471747!	507551	C-R	474272
50645	SPG	470645	506832	C-R	410102	507206	C-R	203003	507558	C-R	455249!
506454	C-R	3095	506837	C-R	416271!	507209	C-R	204005	507564	C-R	473235
506456	C-R	471526!	506838	C-R	412861	507211	C-R	471705!	507576	C-R	417601
50645TA	TRSCM	417541	506839	C-R	455536	507218	C-R	471689	507579	C-R	417542
506486	C-R	472354!	506844	C-R	410825	507223	C-R	473203	507586	C-R	50026
50650	C-R	455290*	506847	C-R	411253!	507224	C-R	50462	507588	C-R	417555!
506508	C-R	417159	506849	C-R	410102	507226	C-R	473426	5076	C-R	5076
506517	C-R	416654	506851	C-R	5756	507232	C-R	471733	5076	NATL	370008A
506524	C-R	416956	506852	C-R	5877	507243	C-R	471692!	50760	TROS	1040=
506532	C-R	417171!	506855	C-R	473453	507249	C-R	471442!	507609	C-R	7537S
506536	C-R	455356	50686	SPG	410987!	507250	C-R	471442!	507615	C-R	473463
506551	C-R	417490	50686	SPG	450686	507251	C-R	471424!	507618	C-R	416288!
506553	C-R	417172	506860	C-R	471141!	507252	C-R	472439	50764	NATL	470764!
506555	C-R	55141	506863	C-R	472924!	507253	C-R	40071S	507644	C-R	415116
506558	C-R	416919	506865	C-R	40370S	507254	C-R	472439	5076546	GMC	470954!
506559	C-R	415991	506867	C-R	40085S	507257	C-R	50266	507669	C-R	415995!
506559	C-R	455146!	50687	GARLK	471570!	507260	C-R	472185!	507669	C-R	415995!*
506560	C-R	417501	506870	C-R	470530!	507262	C-R	450068	507686	C-R	473238
506562	C-R	6358	5068773	GMC	471686	507263	C-R	472319	507692	C-R	415116
506564	C-R	320457	506879	C-R	417492	507273	C-R	40360S!	507715	C-R	5113
506565	C-R	455249!	50688	NATL	410737!	507275	C-R	473459	507715	C-R	7721!
506567	C-R	415437	506881	C-R	472157!	507277	C-R	450911N!	507718	C-R	415937!
506570	C-R	415379	506881	C-R	472157	507278	C-R	472572!	507718	MAGNA	472164!
506570	C-R	415379!	506895	C-R	417497	507282	C-R	40183S!	507738	C-R	471684!
506576	C-R	415023	5069	C-R	471526!	507283	C-R	472572!	50776	SPG	450776!
506577	C-R	455026	5069	SPG	5092	507284	C-R	473452	507771	C-R	415379
506578	C-R	415394	506904	C-R	413472	507291	C-R	473241	507771	C-R	415379!
5066	C-R	471526!	506911	C-R	472179	507293	C-R	472492!	507799	C-R	473441
50660	SPICE	4434V	506927	C-R	481864	507297	C-R	473179!	5078	SPG	AR25
506615	C-R	471652	50693	SPG	450693	507298	C-R	473179	50782	SPG	471195!
506625	C-R	471733	506944	C-R	8243	507299	C-R	480281!	507837	C-R	45525S
506630	C-R	350364	506945	C-R	205044	50730	GARLK	470590	50786	SPG	470334!
506640	C-R	40576S	50695	SPG	473426	507301	C-R	473237!	5078897	GMC	470954
506654	C-R	480581	506957	C-R	416921!	507309	C-R	471760	507895	C-R	200880=
506663	C-R	43089S	506977	C-R	50560	507310	C-R	471762!	507945	C-R	416738!
506670	C-R	5113	506986	C-R	455249!	507312	C-R	471763	507945	C-R	450096
506670	C-R	7721!	506989	CHRY	471271!	507315	C-R	471764!	507986	C-R	473447
506684	C-R	453279!	506VB7	MARI	415645!	507316	C-R	471765	5079B	JN-MN	455022

! Industrial Size/Type *Minor Width Difference

=The U.S. customer service number is 877-4-TIMKEN. The Canadian customer service numbers are 800-565-4927 (English) and 800-565-0438 (French-Canadian).

Mfr. No.	Name	Zero Duplication or Recommended Industrial	Mfr. No.	Name	Zero Duplication or Recommended Industrial	Mfr. No.	Name	Zero Duplication or Recommended Industrial	Mfr. No.	Name	Zero Duplication or Recommended Industrial
507VB7	MARI	415938	5089	C-R	471526 !*	509389	C-R	8293S	509949	C-R	473016 !
508	UNIVE	416107 !	5089	NATL	417506	509406	C-R	473228 !	509972	C-R	415449 !
508	UNIVE	455073	5089	WOODB	471762 !	509407	C-R	473367 !	509975	C-R	471466 !
50800	SPG	480889	508944	C-R	472016	509408	C-R	473245 !	509998	C-R	416888 !
508023	C-R	6241S	508946	C-R	42763	509410	C-R	472397 !	509999	C-R	6815
50803	SPG	450803	508979	C-R	8610	509411	C-R	472636 !	509A1	ONAN	473231 !
50806S	SPG	470806	508982	C-R	6638S	509414	C-R	417316 !	509A11	ONAN	471765 !
508075	C-R	331107N	5089821	EATON	331228H	509415	C-R	415995 !	509A12S	ONAN	450188
50808	SPG	450808	5089OSR	JN-MN	455406 !*	509416	C-R	476470	509A2	ONAN	471224 !
5081	FULLE	416921 !	508VB7	MARI	417556	509416	C-R	476470 !	509A40	ONAN	471765 =
508114	C-R	331228H	5090	C-R	471526 !*	509417	C-R	415991	509A41	ONAN	473231 !
508116	C-R	472258 !	50900111	ONAN	473227 =	509417	C-R	415991 !	509A48	ONAN	470605 !
508162	C-R	470625 !	50900112	ONAN	472572 =	509418	C-R	415035	509A59	ONAN	471554 !
508180	CLARK	472179	5090012	ONAN	450188	509420	C-R	416865 !	509A64	ONAN	470605 !
50819	SPG	450819	5090016	ONAN	472287 !	509445	C-R	472492 !	509A86	ONAN	472572 =
5081B	JN-MN	415023	5090045	ONAN	471766 !	509449	C-R	415437	509A87	ONAN	473227 =
508212	C-R	472409	5090046	ONAN	471442 !	50945	ONAN	471766 !	509A97	ONAN	472258
508223	C-R	417606	5090058	ONAN	450269	50946	ONAN	471442 !	509A98	ONAN	473197
5082B	JN-MN	455008 *	5090059	ONAN	471554 !	509465	C-R	415449 !	509B1	ONAN	473231 !
508342	C-R	473449	509006	C-R	470334 !	5095	C-R	471526 !*	509B11	ONAN	471765 !
50835610	TROS	370033A	509006	C-R	50289	50950	ONAN	470954	509B12	ONAN	450188
50839D	IH	473367	5090064	ONAN	470605 =	509505	C-R	7186S	509B16	ONAN	472287 !
50840010	TROS	417356 !	5090086	ONAN	472572 =	509516	C-R	412119 !	509B40	ONAN	471765 =
50840010	TROS	455188	5090087	ONAN	473227 =	509526	C-R	417316	509B41	ONAN	473231
508432	C-R	9150S	5090097	ONAN	472258	509529	C-R	471744 !	509B41-11	ONAN	473231 =
508450	C-R	417485	5090098	ONAN	473197	509546	C-R	416292 =	509B86	ONAN	472572 =
5084SH	JN-MN	471466 *	509010A	HARWA	50X90X10	509550	C-R	416557	509B87	ONAN	473227 !
5084SS	JN-MN	471466 !	5090138	ONAN	472179	509554	C-R	415449 !	509P44	ONAN	471442 !
5085	C-R	471526 !	5090139	ONAN	417474	509556	C-R	415458 !	509P46	ONAN	471442 !
508513	C-R	415294 !	5090300	CALI	415991	50957	ONAN	471766 !	509P49	ONAN	473225 !
508513B	HARWA	50X85X10	5090300	CALI	455146 !	509578	CATER	473245 !	509P50	ONAN	415303 !
508513C	HARWA	50X85X10	509035	C-R	472070	50958	ONAN	450269	509P64	ONAN	470605 !
508520	C-R	415041	509046	C-R	417495	509580	C-R	415263	509VB7	MARI	416666
508533	C-R	471539 !	509053	C-R	418028	509584	C-R	55532 =	50A2402	MINNM	472179
508539	C-R	471391 !	509083	C-R	7014S	50959	ONAN	471554 !	50A2403	MINNM	473227
508561	C-R	471196 !	50910	ONAN	472560N !	50960	ONAN	470954	50X62X7SC	TRSCM	50X62X7 !
508575	C-R	6759S	50911N	SPG	450911N !	509621	C-R	473475	50X62X7TC	TRSCM	50X62X7 !
508584	C-R	474253	509120	C-R	473211 !	509623	C-R	415379	50X65X8	NATL	1209
508587	FWD	415449 !	50912S	SPG	473231	509636	C-R	415857 !	50X65X8SC	TRSCM	50X65X8 !
50860	TROS	471571	509134	C-R	8139	509648	ALLCH	471801 !	50X65X8TC	TRSCM	50X65X8 !
50861	TROS	1037	509144	C-R	471264 !	50965	HYST	472157 !	50X68X8	NATL	1948
508613	C-R	472179	509154C91	IH	370057A	50965	HYST	472157	50X68X8SB	TRSCM	225020
508615	C-R	472164 !	509164	C-R	417600	509656	C-R	415045 !	50X68X8SC	TRSCM	50X68X8 !
50862	OLIVE	472924 !	509166	C-R	450084 !	509669	C-R	6644	50X68X8TC	TRSCM	50X68X8 !
50865	AM WH	471766 !	50917	ONAN	470605 !	509699	C-R	415035	50X70X7TA	TRSCM	413818
508650	MICH	415645 !	509172	C-R	416282	509719	C-R	473367 !	50X70X8SC	TRSCM	50X70X8 !
508650	MICH	455104	509174	C-R	415960	509721	C-R	415960	50X70X8TC	TRSCM	50X70X8 !
508650	UNIVE	415645 !	509178	C-R	472394	509722	C-R	416339	50X70X9SC	TRSCM	50X70X9
508650	UNIVE	455104	509179	C-R	417079	509722	C-R	455031 !	50X70X9TC	TRSCM	50X70X9
508657	C-R	472258 !	50919	ONAN	471272 !	509723	C-R	415027 !	50X72X8SC	TRSCM	50X72X8
50867S	SPG	470898	5091933	O-M	471224 !	509723	C-R	415027 !	50X72X8TC	TRSCM	50X72X8
50868	SPG	473203	5091933	SCOT	471224 !	509735	C-R	7044NA	50X75X10	SIMRT	50X75X10
50869	SPG	450869	5092	NATL	3698	509737	C-R	451857	50X75X12SC	TRSCM	50X75X12
5086LA	JN-MN	412871 !	509203	C-R	416888 !	509738	C-R	55028	50X75X12TC	TRSCM	50X75X12
508704	C-R	471827 !	509217	C-R	473229 !	5098	ONAN	330385	50X80X8SC	TRSCM	50X80X8
508709	C-R	417484 !	509235	C-R	472144 !	509815	C-R	470898 *	50X80X8TC	TRSCM	50X80X8
508761	C-R	471192	5092400	CALI	415219	509816	C-R	415035 *	50X85X10	SIMRT	50X85X10
50878	HYST	473238	5092401	CALI	415219	509816	C-R	415035	50X85X8SC	TRSCM	50X85X8
508793	C-R	417355 !	5092502	CALI	416154 !	509830	C-R	471271 !	50X85X8TC	TRSCM	50X85X8
508793	C-R	485497	509261	C-R	471272 !	509839	C-R	472636 !	50X90X10	FORSH	50X90X10
508798	C-R	472164 !	509271	C-R	417488 !	509847	C-R	473228	50X90X10	SIMRT	50X90X10
508806	C-R	415995 !	509277	C-R	472082	50987	SPG	410987 !	50X90X10SC	TRSCM	50X90X10
508807	C-R	472439	50929	SPG	473237 !	509874	C-R	472397 !	50X90X10TC	TRSCM	50X90X10
508812	C-R	472409 !	5092LA	JN-MN	471763	50988	SPG	473474	50X90X8ASN	ISP	50X90X8
508824	C-R	470712 !	5093	SPG	32X45X7	509886	C-R	473231 !	51	UNIVE	471535 !
508831	ALLCH	471785 !	5093109	SCOT	471255 !	50988S	SPG	473474	51-015-100-183	MAN	712107
50883271	IG-RA	415725 !	50934	ONAN	471442 !	509895	C-R	416664 !	51-015-100-184	MAN	712106
508835	C-R	471272 !	5093400	CALI	415036	50991S	SPG	480630 !	510	UNIVE	417556
508856	C-R	473010 !	5093403	CALI	416892 !	50992	ONAN	471466 !	5100	NATL	370046A
508884	C-R	471766	5093407	CALI	7354N	509927	C-R	415379	51004	GARLK	471224 !
508886	C-R	471138 !	509348	C-R	8133S	50992R11	IH	6532S =	5100408	GMC	204017
508894	C-R	50883 =	509367	C-R	473231 !	509940	C-R	473459	5100650	GMC	473214

! Industrial Size/Type * Minor Width Difference

= The U.S. customer service number is 877-4-TIMKEN. The Canadian customer service numbers are 800-565-4927 (English) and 800-565-0438 (French-Canadian).

NUMERICAL INTERCHANGE

Mfr. No.	Name	Zero Duplication or Recommended Industrial	Mfr. No.	Name	Zero Duplication or Recommended Industrial	Mfr. No.	Name	Zero Duplication or Recommended Industrial	Mfr. No.	Name	Zero Duplication or Recommended Industrial
51007	SPG	474256	510543	C-R	471391!	51078S	SPG	451078!	511092	C-R	417494
510116	C-R	471554!	510546	C-R	471984	5107OSR	JN-MN	417362!*	511094	C-R	415437
510119	C-R	470898	510547	C-R	473313	5108219	GMC	205017	511094	C-R	415437!
510120	C-R	415458!	510548	C-R	470088	510826	C-R	40316S	511095	C-R	455026
510132	C-R	473227!	510549	C-R	474281!	51082S	SPG	451082	511096	C-R	417181!
510133	C-R	472572!	510550	C-R	473440!	510834	C-R	472924!	511097	C-R	415035
51014	SPG	471567!	510551	C-R	473458!	5108369A	GMC	205035	511099	C-R	415437
51015	NATL	471015!	510552	C-R	471868	51086V	IH	50075=	511100	C-R	417211!
510160	LAU	240735	510554	C-R	472287!	51086VX	IH	481864	511101	C-R	481443!
510165	C-R	350936	510555	C-R	470950!	5108OSR	JN-MN	416888!	511102	C-R	470606!
510168	C-R	472394	510555	C-R	6241S	5109	C-R	471472!	511103	C-R	473420
510172	C-R	417349!	510556	C-R	471619!	510905	C-R	471504	5111035	WOOL	40401
51018	SPG	470898	510558	C-R	412027	510914	C-R	415991	511104	C-R	412473!
510185	C-R	471526!	510560	C-R	455356	510932	C-R	471442!	511106	C-R	415559
51019	SPG	472185!	510561	C-R	417486	510985	C-R	471192	511114	C-R	450065
510192	C-R	470954!	510562	C-R	417159	510988	C-R	472185!	511122	C-R	417223
510193	C-R	472439	510563	C-R	412040	5110	C-R	471472!	511123	C-R	473445
51020	GARLK	471649!	510564	C-R	411500	5110	NATL	370124A	511124	C-R	473234
510205	C-R	471413!	510565	C-R	413478	5110	SPG	370124A	511125	C-R	473235!
510206	C-R	416239!	510569	C-R	471821!	51100	SPG	471652	511126	C-R	474265
510207	C-R	471652	510570	C-R	473442!	51100	SPG	482208!	511127	C-R	450765!
510208	C-R	416888!	510571	C-R	450273	511002	C-R	471735	511128	C-R	473236!
510210	C-R	415072	510572	C-R	473441	511003	C-R	450044	511129	C-R	473446
510228	C-R	471570!	510575	C-R	473466	511005	C-R	471747!	51113	GARLK	471652
510229	C-R	471267!	510589-C93	IH	HU149A	511006	C-R	450313	511130	C-R	470086
51024	SPG	471653!	510602	C-R	471821!	511008	C-R	473232	511132	C-R	415196!
510247	VICK	481163!	510611	C-R	474264	511009	C-R	472012	511133	C-R	415284
510248	C-R	412119!	5106223	GMC	480581=	51101	TROS	6785	511134	C-R	415379!
510251	C-R	415138!	510624	MAGNA	470954!	511010	C-R	450311	511134	C-R	415379
510260	C-R	471466!	510627	C-R	470530	511011	C-R	473464	511135	C-R	417513
5102643	GMC	483602=	510645	C-R	40568S	511011	C-R	473464!	511136	C-R	471763
510265	C-R	472015!	510647	C-R	471141	511012	C-R	473239	511137	C-R	417598
510266	C-R	470380!	510663	C-R	470712	511013	C-R	473179	511138	C-R	415867
51028	GARLK	471689!	510674	C-R	471686	511014	C-R	482253	511139	C-R	416077
510281	C-R	1049	510676	C-R	450456!	511016	C-R	50191	511141	C-R	417298
51030	TROS	471267!	510677	C-R	450808	511019	C-R	5877	511143	C-R	417601
510322	C-R	55646=	510678	C-R	471730	511023	MAGNA	473214!	511144	C-R	417603!
510339	C-R	472164!	510678	MAGNA	471801!	511029	C-R	416444	511145	C-R	417563
51035	THEW	450335	510679	C-R	474254*	511030	C-R	472409!	511148	C-R	417267
510361	C-R	472572!	510679	C-R	474254	511031	C-R	413469!	511149	C-R	416158
510365	C-R	472015!	510680	C-R	450054	511032	C-R	412920!	51115	CLARK	473228
510371	C-R	471271!	510681	C-R	473414	511035	C-R	415350	511151	C-R	415196!
510383	C-R	471689!	510683	C-R	50209	511035	WOOL	415295	511153	C-R	455584
510391M1	MASSE	472560N!	510685	C-R	350156	511036	C-R	470354	511154	C-R	455330!
5103951	GMC	483602=	510685	C-R	473096	511042	C-R	450104	511155	C-R	416865!
5103LA	JN-MN	417484!	510686	C-R	471472!	511043	C-R	411245!	511158	C-R	415072
51040	GARLK	471733	510687	C-R	471344	511044	C-R	417073	511161	C-R	415219
510401	C-R	416271!	510688	C-R	471820	511052	C-R	412871!	511162	C-R	415076
510408	C-R	455536	510689	C-R	473214	511054	C-R	455079!	511163	C-R	415077
510412	C-R	417316!	510690	C-R	473205	511056	C-R	455280	511164	C-R	415482
510413	C-R	472636!	510691	C-R	471354!	511057	C-R	417158!	511165	C-R	55228=
510415	C-R	203006!	510696	C-R	473016!	511058	C-R	416654!	511166	C-R	417570
510432	C-R	410737!	510697	C-R	473225!	511059	C-R	415995!	511167	C-R	415128
510444	C-R	473450	510698	C-R	474264	511059	C-R	415995!*	511168	C-R	416239!
510445	C-R	472070	510700	C-R	473415	511060	C-R	475384	511169	C-R	455129
510475	C-R	471766!	510701	C-R	476838!	511061	C-R	415088!	51117	GARLK	471692!
510478	C-R	471264!	510729	C-R	470954	511061	C-R	415088	511170	C-R	55222=
510480	C-R	417355!	510731	C-R	416738!	511064	C-R	455020	511171	C-R	415871
510480	C-R	485497	510735	C-R	51322	511065	C-R	480491	511172	C-R	203003
510481	C-R	2081	510738	C-R	472924!	511066	C-R	415984!	511173	C-R	417604
510482	C-R	416130!	51073SA	SPG	481073	511067	C-R	416706!	51117N	SPG	451117N=
510492	C-R	473424!	510740	C-R	471750!	511071	C-R	415303!	511181	C-R	415043
5104LA	JN-MN	415995!	510741	C-R	471224!	511072	C-R	472924	511182	C-R	417512
5104LPD	JN-MN	415995!	510751	C-R	332062	511073	ALLCH	471192	511183	C-R	415138!
5104LPD	JN-MN	415995!	510753	C-R	9150S	511073	C-R	455022	5111883	GMC	53809S
510515	WHITE	370003A	510756	C-R	472311!	511074	C-R	456105	511210	C-R	471141!
510537	C-R	415090	510768	C-R	471689!	511076	C-R	471192	511211	C-R	471504!
510538	C-R	473213!	51076SA	SPG	471076	511080	C-R	473435	511212	C-R	450143
510539	C-R	473421	510776	C-R	100495	511081	C-R	473419	511213	C-R	412871!
510540	C-R	473463	510776	C-R	417349	5110874	GMC	415284	511215	C-R	417498
510541	C-R	473242	510777	C-R	471267!	511090	C-R	417191	511230	C-R	410496!
510542	C-R	473462	510787	C-R	473227	511090	C-R	455165!	51125	C-R	130X160X12

! Industrial Size/Type * Minor Width Difference

= The U.S. customer service number is 877-4-TIMKEN. The Canadian customer service numbers are 800-565-4927 (English) and 800-565-0438 (French-Canadian).

Mfr. No.	Name	Zero Duplication or Recommended Industrial	Mfr. No.	Name	Zero Duplication or Recommended Industrial	Mfr. No.	Name	Zero Duplication or Recommended Industrial	Mfr. No.	Name	Zero Duplication or Recommended Industrial
51126	C-R	130X160X12V	5118SS	JN-MN	254287*	51262	GARLK	471795	5134351	GMC	471652
51128	GARLK	470712!	511922M91	MASSE	5550=	51262	TROS	471787	513442	C-R	417602!
5112808	EATON	472439	51195SA	SPG	471195!	512630	C-R	476470	513456	C-R	473228
511289	C-R	204020	511974	C-R	415137!	512655	C-R	100495	513470	C-R	415995!
511289	C-R	204505!	511974	C-R	418028	512655	C-R	417349	513472	C-R	6575S
511297	CLARK	415025=	511D5	DIA	416654	512657C1	IH	416158	51348	GARLK	472258!
51130	C-R	130X160X12!	511D5	WHITE	416654	512657C1	NAVST	386025A	513492A	GMC	482069N
511306	C-R	473010!	511D6	WHITE	5405	51265S	SPG	412725	513513	C-R	473211
511307	C-R	415449!	511H	BRAD	472439	512662	UNIVE	415938	513557	C-R	471646!
511311	C-R	416229	511VB7	MARI	417542	512663	MICH	415938	51356	CLARK	240319
511314	C-R	417343!	512	UNIVE	416666	51270	C-R	417546!	51357	CLARK	471141!
511327	C-R	7934S	51201	TRANS	3543	5127119	GMC	471689!	5135820	GMC	1041
511344	C-R	205015	51201	TROS	5453	5127119A	GMC	471689!	513592	C-R	450593!
51135	C-R	130X160X12!*	512024	C-R	481073	5127238	EATON	410308!	5135SS	JN-MN	471472!
511377	C-R	472843	512038	C-R	480630	512723800	EATON	410308!	51360	GARLK	471192
51138	GARLK	471763	512060	C-R	415991!	512726	VICK	44052	513600	C-R	473237!
51139	CLARK	471766!	512060	C-R	415991!	51275	C-R	417547	51364	CLARK	470712!
5114	NATL	2146	512112	DISOG	710042	51276	C-R	417547	513656	C-R	476470!
51140	C-R	130X170X12	512159	C-R	415371	5127821	CUMMI	415284	513656	C-R	476470!
511401	C-R	481792	5121601	CALI	415577	5128	NATL	710077	513677	C-R	353135
51143	C-R	130X170X15!	512162	C-R	415995!	512806	C-R	417602!	513677	C-R	474278!
51143	CLARK	471765!	51220	CLARK	417267	512810	C-R	9015S	51368	GARLK	473214!
5114335	GMC	415284	512215	C-R	415991	51282	WAYNE	415263	513702	JN-SOON	482309
51143S	SPG	451143	512215	C-R	455146!	512830	GERL	472924!	51375	CLARK	472560N
511448	C-R	5126	512224	C-R	471272!	512839	ALLCH	473211!	513754	C-R	416865!
51147H	SPG	472164	51224	GARLK	471413!	512840	ALLCH	473214!	513756	C-R	417158!
5114802	GMC	455956H	512277	C-R	473238!	512886R91	IH	45013S	513759	C-R	55353
511493	CLARK	410825=	51228D	IH	415371	512887R91	IH	40101S	51376	WAUKE	472185!
51150	CLARK	472636!	512297	C-R	8429S	5128B	JN-MN	473462	513764	C-R	417020
511523	C-R	417514	512301	C-R	473367	5128LPD	JN-MN	473462	513765	C-R	55224=
51153	SPG	410825	512304	C-R	471224!	5129	NATL	5108	513767	C-R	415124
511537	C-R	7537S	512316	C-R	417495	512904	C-R	417548	51377	CLARK	472636!
511542	Y-T	415064	51232	GARLK	471737	512920	C-R	6906S	513773	C-R	417549!
5115454	GMC	417344	512322	C-R	55646* =	512937	C-R	42101S	513775	C-R	417554!
511622	C-R	412473!	512328	C-R	415697!	512938	C-R	417344!	513776	C-R	415072
5116224	GMC	473454	512328	C-R	455547	512946	C-R	8996S=	513778	C-R	417526
5116229	DETRO	BS40502	512345	C-R	203012	512976	C-R	473473	513779	C-R	476470
5116229	GMC	415035	512346	C-R	203016	512989	C-R	417254	51378	GARLK	473215!
511624	C-R	416332!	512348	C-R	203025	512993	C-R	41075S	5137SH	JN-MN	350364
51162N	SPG	473454	512349	C-R	203029	5129B	JN-MN	471192	513802	C-R	6356
511635	C-R	471554!	51235	CLARK	240119	5130	NATL	415937	513804	C-R	5070
5116476	GMC	480581=	5123500	CALI	50631	513071	C-R	417247!	513805	C-R	416271!
511687	IH	470954!	5123501	CALI	412943	513073	C-R	40576S	51382	CLARK	471554!
511694R91	IH	450044	512366	C-R	470774!	513090	C-R	353132	51383	CLARK	471765!
511714	CLARK	416271=	5123802	CALI	416008	513096	C-R	450655=	51384	CLARK	473205
511716	ALLCH	471413!	51240	C-R	416557	513097	C-R	472924!	51384SA	SPG	480581
51172V	IH	470059	512415	C-R	417343!	513106	C-R	416664!	51385	CLARK	471766!
51172V	IH	470380!	5124200	CALI	417604	513108	C-R	40769S	51386	CLARK	470059
5117401	WHITE	415185H=	512427	C-R	412119!	5131329	GMC	470625!	51386	CLARK	470380!
511741	C-R	471765!	51244	C-R	417511	51314	CLARK	473446	51387	CLARK	473446
511752	C-R	473442!	51245	C-R	417258	513159	C-R	471652	513870	C-R	472157
511753	C-R	472018	512452	C-R	471766!	513160	C-R	476838!	513870	C-R	472157!
51176	CLARK	472185!	51246	GARLK	471766!	513162	C-R	472082	5138710	GMC	483054N
511775	C-R	470954!	512468	C-R	417316!	5131698	GMC	416271!	5138796	GMC	470898=
5117983	GMC	470954!	51247	C-R	416557	51319	CLARK	416271!	51388	CLARK	471627!
5118	SPG	5095	51247	IRON	5759=	513195	C-R	416921!	51389	CLARK	471141!
51180	C-R	130X170X15	51248	C-R	417546!	513211	C-R	471231!	5138SS	JN-MN	471558*
51180	SPG	471707N	512487	C-R	5589	513245	C-R	473215!	5139	C-R	471472=
511809	C-R	471649!	512495	C-R	471442!	513280	C-R	471267!	513915	VICK	455858
51181	C-R	130X150X15	5125	C-R	471472!	51329	TROS	415876	5139189	GMC	JX1505=
51182	C-R	130X150X10!	5125	NATL	4148	513290	C-R	41257!	51392	CLARK	473228
51182	C-R	710380	51250	C-R	417546!	5132909	GMC	471649!	5139484	GMC	417365=
51182	SPG	451182	512503	C-R	6590S	5132SS	JN-MN	481650	5139505	GMC	472164!
511827	C-R	8477S	51251	C-R	417546!	5133	C-R	471472!	5139585	GMC	416229=
511839	C-R	415960	512516	C-R	472311!	5133000	CALI	455005	51397	CLARK	473214!
511839	C-R	415960!	51252	C-R	417258	513320	MAGNA	471442!	513984	C-R	471271!
51185	C-R	130X170X12V	51253	C-R	417258=	513341	C-R	417543	514	UNIVE	416476!
511864	C-R	472409!	51254	CLARK	471192	513368	C-R	416149	5140	C-R	471472!
511867	C-R	472354!	512550	C-R	416102	5133852	GMC	415284	51403	TROS	6818
511871	C-R	8460N	512562	C-R	484058	5134	C-R	471472!	5140SS	JN-MN	456744N
511878	ALLCH	472070	512586	C-R	200642	51343	CLARK	471821!	5141	C-R	471472!
511895	C-R	472144!	5126	C-R	471472!	5134336	GMC	482253=	5141050	GMC	418028

! Industrial Size/Type * Minor Width Difference

= The U.S. customer service number is 877-4-TIMKEN. The Canadian customer service numbers are 800-565-4927 (English) and 800-565-0438 (French-Canadian).

NUMERICAL INTERCHANGE

Mfr. No.	Name	Zero Duplication or Recommended Industrial	Mfr. No.	Name	Zero Duplication or Recommended Industrial	Mfr. No.	Name	Zero Duplication or Recommended Industrial	Mfr. No.	Name	Zero Duplication or Recommended Industrial
5141050	GMC	455137!	5150790	GMC	471765!	515886	C-R	415995!	5164SS	JN-MN	471833*
51412	CLARK	472015!	5150791	GMC	471647	515886	C-R	415995*	5165357	GMC	415284
51413SA	SPG	471413!	5150846	GMC	415284	515887	C-R	415001=	5165359	GMC	415284
514151	C-R	470954!	5150863	GMC	472924!	51590	GARLK	473010!	516553	C-R	6612S
514159	C-R	473228!	515098	C-R	471649!	515920	C-R	415072	516563	C-R	415483
514170	C-R	416339	5150SS	JN-MN	472311!	515933	C-R	471272!	516564	C-R	472015!
514251	C-R	472164	5151090	GMC	417485	515956	C-R	471231!	51657301-001	ALLCH	415458!
5142678	GMC	415327=	5151392	GMC	417344!	51598	GARLK	473232!	51657301-001-003	ALLCH	415458!
5142R	JN-MN	415034!	5151SH	JN-MN	481537*	515991	C-R	450593!	51657301-002	ALLCH	416345!
514300	C-R	340835	5151SS	JN-MN	481537	516015	C-R	473225!	51657301-002	ALLCH	455033
5143108	GMC	417344=	515231	C-R	472354!	516019	C-R	472287!	51657301-003	ALLCH	455134
514321	C-R	8168=	51524	CLARK	472810!	516025	C-R	8940S	51657301-004	ALLCH	412871!
514322	C-R	451182	515242	C-R	471643!	516073	C-R	471138!	51657301-005	ALLCH	416288!
514323	C-R	484054	515282	C-R	410059	516080	C-R	1097N	51657301-008	ALLCH	451948
51435	NATL	484054	515282	C-R	470380!	5161028	GMC	471570!	51657301-009	ALLCH	471764!
51435	WMG	484054	515283	C-R	472299	51611176-002	ALLCH	471705!	51657301-010	ALLCH	472144!
5143R	JN-MN	417273	5152LA	JN-MN	471466!	51611176-004	ALLCH	473016!	51657301-011	ALLCH	415035
514412	C-R	5578	5152LUP	JN-MN	471466!	51611176-005	ALLCH	472185!	51657301-011	ALLCH	415035!
51443SA	SPG	481443!	5153	C-R	471549!	51611176-007	ALLCH	472475	51657301-013	ALLCH	415725!
51446	MASTE	473427	515308	C-R	350936	51611176-008	ALLCH	417349	51657301-016	ALLCH	415991
51448	MASTE	471567!	515328	C-R	415458!	51611176-009	ALLCH	471647	51657301-016	ALLCH	455146!
514481	C-R	415991	5153373	GMC	417344!	51611176-010	ALLCH	415991	51657301-019	ALLCH	417344!
514481	C-R	455146!	515355	C-R	471354!	51611176-010	ALLCH	455146!	51657301-020	ALLCH	472258!
51449	MASTE	473215!	5153560	GMC	415284	51611176-011	ALLCH	415082	51657301-03-009	ALLCH	471764!
5144LUP	JN-MN	412028	515378	C-R	8804S=	51611176-012	ALLCH	411394!	5165730100100	ALLCH	415458!
514518	C-R	415483	5153SH	JN-MN	40169S*	51611176-013	ALLCH	473243	516578	C-R	473317
514523	C-R	415960	5153SS	JN-MN	473214!	51611176-05-002	ALLCH	471705!	5165958	EUCLD	471442!
51454	GARLK	473227!	5154	C-R	471549!	51611176-05-003	ALLCH	471766!	5165958	GMC	471442!
51455	CLARK	472636!	515400	C-R	415991=	51611176-05-004	ALLCH	473016!	5166003	GMC	415449!
514551	C-R	8594S	515410	C-R	8695S	51611176-05-005	ALLCH	472185!	516607	C-R	470625!
514580	C-R	321460	5154224	GMC	471076	51611176-05-011	ALLCH	415082	516618	C-R	472492!
5145LA	JN-MN	450311	5154314	GMC	416271!	51611176-05-012	ALLCH	411394!	5166226	GMC	415284
5145LUP	JN-MN	450311	5154315	ALLCH	416271!	51611176-05-013	ALLCH	473243	516624	C-R	415449!
51460	CLARK	473238	5154315	GMC	416271!	51611176-06-002	ALLCH	471705!	516626	C-R	410694!
514612	C-R	8660S	515440	ALLCH	474278!	51611176-06-003	ALLCH	471766!	51662S	SPG	471649!
51462	GARLK	470625!	51546	CLARK	472258	51611176-06-004	ALLCH	473016!	516642	C-R	416654!
514645	C-R	471567!	5154791	GMC	415284	51611176001	ALLCH	471646!	516650	GERL	473463
51466	MASTE	473427	51548	CLARK	472258	51611176006	ALLCH	471795	516675	MICH	416107!
514670	C-R	473459	5154LA	JN-MN	473214	5161117605001	ALLCH	471646!	516675	MICH	455073
514680	ALLCH	472924!	5155226	GMC	472572!	516169	C-R	470565!	516675	UNIVE	416107!
514693	GMC	417967!	51553	AM WH	417316!	516222	C-R	9569S	516675	UNIVE	455073
514697	C-R	473237!	5155300	CALI	416107!	51625TA	TRSCM	417258	5166SH	JN-MN	470954!
51472	GARLK	470380!	5155300	CALI	455073	516285	C-R	415035	5166SS	JN-MN	470954!
514728	C-R	417487!	5155445	GMC	470059	516285	C-R	415035!	516795	C-R	415458!
514728	C-R	417487	5155445	GMC	470380!	516291	C-R	291099	516805	WALUKE	415198H=
5147LA	JN-MN	417596	5155462	GMC	470625!	5163	C-R	471549!	516811	C-R	5406
514810	C-R	470954!	5155621	GMC	471224!	516302C1	IH	456618	516839	C-R	370005A
51482	MASSE	474265	5155786	GMC	455144	51632408	TROS	416327	516851	C-R	416239!
51482	MASTE	474265	51558	CLARK	470059	516325	C-R	415072	5168647	GMC	416125!
5148314	GMC	473454	51558	CLARK	470380!	516339	C-R	410496!	516880	C-R	473234!
514860	C-R	9568	515589	C-R	200371	51633D	IH	415991	51690	GARLK	473237!
514898	C-R	5711	51558R2	IH	6532S=	51633D	IH	455146!	516952	C-R	471567!
5148LA	JN-MN	455290*	5156309	GMC	450593!	51635607.5	TROS	417366!	516963	C-R	7442H
5148LPD	JN-MN	455290	515641	C-R	471271!	516361	C-R	8974S	5170	C-R	471549!
51492	GARLK	473228!	515644	C-R	417621!	516393	GERL	416892!	517013	C-R	8430S
51492D	IH	473421	51566	GARLK	473230!	5164	C-R	471549!	51704	GARLK	472164!
51492DA	IH	473421	515666	C-R	8705S	51640010	TROS	417357	517064	ALLCH	471224!
51492L	IH	473421	515667	C-R	415995*	51640010	TROS	455192!	517077	C-R	415379
51494DA	IH	472924	515667	C-R	415995!	51640808	TROS	415142	5170LA	JN-MN	415991
514953	C-R	416154!	515672	C-R	415035	51641208	TROS	455194	5170LA	JN-MN	455146!
514955	C-R	416666	515713	C-R	472636!	5164157	GMC	416921!	51714	GARLK	472185!
514963	GMC	417967!	5157518	GMC	415284	51641607.5	TROS	472157!	517147	C-R	417210!
51498	GARLK	473228!	5157536	GMC	473467	51641607.5	TROS	472157	51718	HYST	455189
514989	C-R	472409!	5157574	GMC	417134	51641608	TROS	472157!	5172000	GMC	415284
5149LA	JN-MN	471466!	51576	GARLK	473231!	51641608	TROS	472157	517201	C-R	415458
515	C-R	5MR71	5157948	GMC	471646!	516445	C-R	416865!	517202	C-R	8975S
5150	C-R	471549	5158063	GMC	472924!	5164463	GMC	412473	5172164	GMC	474253
5150	C-R	471549*	51583S	SPG	451583!	5164468	GMC	417191	517225	C-R	7994S
51501S	TROS	415449!	5158446	GMC	471787!	5164468	GMC	456585	517232	C-R	6808N
5150220	GMC	483054N	515847	C-R	472185=	5164474	GMC	471766!	51726	GARLK	472179
51503S	TROS	473234	51585	CLARK	472560N	516453	C-R	416239!	517262	C-R	416892!
515071	C-R	8597S	515878	C-R	473426	51645TA	TRSCM	417547	517273	C-R	415138!

! Industrial Size/Type *Minor Width Difference

=The U.S. customer service number is 877-4-TIMKEN. The Canadian customer service numbers are 800-565-4927 (English) and 800-565-0438 (French-Canadian).

Mfr. No.	Name	Zero Duplication or Recommended Industrial	Mfr. No.	Name	Zero Duplication or Recommended Industrial	Mfr. No.	Name	Zero Duplication or Recommended Industrial	Mfr. No.	Name	Zero Duplication or Recommended Industrial
517274A1	FORD	471231!	5184576	GMC	455290	519319	C-R	412119!	51X1067	GARLK	473457!*
517274A2	FORD	471231!	51848	GARLK	473240!	5193274	GMC	415991	51X1068	GARLK	473457!
517323	C-R	416706	51850	C-R	455956H	5193274	GMC	455146!	51X1070	GARLK	473240!*
517324	C-R	415995!	5185065	GMC	350364	5193413	GMC	5460\$	51X1071	GARLK	473240!
517326	C-R	472016	51851	C-R	417548	5193598	GMC	425RR	51X1077	GARLK	473458!*
517328	C-R	415001!	51852	C-R	4494V	5193599	GMC	471255!	51X1078	GARLK	472439*
517329	C-R	415960!	51852	C-R	455956H	5193684	GMC	471733	51X1079	GARLK	472439*
517329	C-R	415960	518567	C-R	8421S	519371	C-R	417484!	51X1080	GARLK	472439
5173384	GMC	472258	518574	C-R	472150	519388	C-R	472012	51X1081	GARLK	471868*
5173B	JN-MN	417600	518581	C-R	6760S	5193LPD	JN-MN	416156	51X1082	GARLK	471868*
517448	C-R	6283S	5186	SPG	1960	5194019	GMC	472924!	51X1083	GARLK	471868
5174480	C-R	6283S	518611	C-R	6098=	519405	C-R	471193	51X1084	GARLK	472572!
51749	GMC	410102	518660	C-R	9116S	519413	C-R	472299	51X1085	GARLK	472572!
517505	C-R	473234	518674	C-R	370037A	5194233	GMC	412871!	51X1086	GARLK	472572!
517511	C-R	416956	518674	C-R	370338A	519430	C-R	470774!	51X1090	GARLK	414045!*
5175136	GMC	471692!	518680	C-R	370021A	519437	C-R	471442!	51X1091	GARLK	414045!*
5175276	GMC	472705!	518682	C-R	370019A	5194382	GMC	472164!	51X1092	GARLK	414045!*
517536	GEFL	455019!	518683	C-R	370021A	519443	C-R	7457N	51X1100	GARLK	471529
5175836	OLIVE	416654!	51869	GMC	473458!	5194462	GMC	417550	51X1105	GARLK	473240!*
5176287	GMC	450039	5186F	OSHKO	415995!	5194527	GMC	415991	51X1106	GARLK	473240!*
5176288	GMC	471255!	5187	SPG	1955	5194527	GMC	455146!	51X1107	GARLK	473240!
5176552	GMC	417548	5187	SPG	52X65X9!	519471	ALLCH	471570!	51X1133	GARLK	473460
517658	C-R	204002	5187281	GMC	416107!	519475	C-R	8610	51X1136	GARLK	472394*
517663	C-R	416229	5187281	GMC	455073	5194955	GMC	415995!	51X1140	GARLK	473461!
5176B	JN-MN	480210!	51875	MASTE	481568!	5194959	GMC	416288!	51X1151	GARLK	450472!*
517716	CATER	415041	518753	C-R	6636S	5195SS	JN-MN	1049	51X1152	GARLK	450472!*
517753	C-R	416339	518754	C-R	470354	5196038	DETRO	471570	51X1153	GARLK	473241
517774	C-R	6818	518761	C-R	5778	519611	C-R	471267!	51X1154	GARLK	473241*
5177786	GMC	481203N=	518820	C-R	8126S	519637	C-R	476470	51X1155	GARLK	473241*
517794	C-R	9342S	518821	C-R	7700S!	5196633	GMC	340847	51X1163	GARLK	450474*
517804	C-R	6597S	518821R91	IH	6590S	5196852	GMC	415035	51X1164	GARLK	450474*
5178040	C-R	6597S	518925	GMC	41081S=	5196852	GMC	455134!	51X1167	GARLK	50528
5178219	GMC	350364	518FF2-L	C-R	5871	51969	GMC	471551!	51X1171	GARLK	473461!*
517848	C-R	7896S	5190	ROTO	471281!	5196927	GMC	75251S	51X1172	GARLK	473461!*
517859	C-R	415351!	519019	C-R	416332!	5197159	GMC	5460\$	51X1173	GARLK	473461!
517884	C-R	8835S	51901S	TROS	473227	519759	C-R	416500	51X1174	GARLK	471391!*
5178989	GMC	415284	519042	ALLCH	471619!	5197860	GMC	455251H\$	51X1175	GARLK	471391!*
5179	C-R	471549!	5190707	GMC	417191	5197860	GMC	5460	51X1176	GARLK	471391!
5179506	GMC	481163!	5190707	GMC	455165!	5198289	GMC	417349=	51X1180	GARLK	473462
517957	C-R	416654	5191189	GMC	415995!	51983D	IH	416288!	51X1181	GARLK	473462
517998	C-R	415449	5191190	GMC	473228	5198502	GMC	J1107	51X1182	GARLK	473462
5179985	GMC	455956H	5191214	GMC	415027	5198503	GMC	452261H	51X1202	GARLK	470530!
5180	C-R	471549!	5191214	GMC	415027!	5198645	GMC	455956H	51X1208	GARLK	473463
5180093	GMC	75251S	519130	C-R	471766!	5198LA	JN-MN	415047*	51X122	GARLK	470506!
518012	C-R	415725!	5191600	GMC	416288!	5198LUP	JN-MN	415047	51X1222	GARLK	472924!
51802	GARLK	472439	5191707	GMC	410694!	519913	C-R	411330!	51X1223	GARLK	472924!
5180285	GMC	472016	5191708	GMC	470088	5199366	GMC	472311	51X1224	GARLK	472924!
5180521	GMC	410694!	5191745	GMC	415025	5199367	GMC	472311=	51X1225	GARLK	470530!
518055	C-R	5313	5191843	GMC	471526!	5199449	GMC	455330=	51X1226	GARLK	470530!*
518055R91	IH	203003	5191923	GMC	415035!	5199477	GMC	455134	51X1227	GARLK	470530!*
518056	C-R	480844	5191923	GMC	415035	5199B	JN-MN	455576!*	51X1228	GARLK	472397!
51814	GARLK	472572!	5191925	GMC	412473!	51A-EX6	ALLCH	417267	51X1229	GARLK	472397!
518230	C-R	473211!	519194	C-R	473445	51A-MX7	ALLCH	450467	51X1230	GARLK	472397!
518236	C-R	410308!	519213	C-R	3945	51A-TX4	ALLCH	200354	51X1231	GARLK	473463*
5182365	GMC	472012	5192250	GMC	471442!	51JG-1	KEN	472164!	51X1232	GARLK	473463*
51826	GARLK	473238!	5192267	GMC	471466!	51X100	GARLK	481537	51X1233	GARLK	473463
518301	C-R	7381S	5192438	GMC	6370N	51X1006	GARLK	473451!*	51X1240	GARLK	473464
518321	C-R	473454	5192439	GMC	J712	51X1007	GARLK	473451!*	51X1240	GARLK	473464!
518336	C-R	472705!	5192505	GMC	6863S!	51X1008	GARLK	473451!	51X1241	GARLK	473464!
5183507	GMC	416888!	519257	C-R	472705!	51X101	GARLK	481537	51X1241	GARLK	473464
518369	C-R	8121S	5192617	GMC	416666	51X1012	GARLK	473452*	51X1242	GARLK	473464!
518370	C-R	6840S	5192620	GMC	471466!	51X1013	GARLK	473452*	51X1242	GARLK	473464
51838	GARLK	473239!	5192776	GMC	455251H	51X1014	GARLK	473452	51X1246	GARLK	412027*
518389	C-R	204027	5192777	GMC	75251S	51X102	GARLK	481073*	51X1247	GARLK	412027*
5183965	GMC	473464!	519280	C-R	340927	51X1022	GARLK	473453*	51X1248	GARLK	412027
5183965	GMC	473464	519289	C-R	481181!	51X1023	GARLK	473453*	51X1257	GARLK	473466
5184	C-R	471549!	519290	C-R	474276	51X1049	GARLK	472572!	51X1259	GARLK	472012*
5184	C-R	472467	519291	C-R	471224!	51X105	GARLK	481397*	51X1262	GARLK	450307*
5184	EIMCO	473451!	519297	C-R	240356	51X1055	GARLK	414045!*	51X1265	GARLK	450311*
51840S	TROS	470954!	5193122	GMC	471138!	51X1056	GARLK	414045!*	51X1271	GARLK	416738!
518449R91	IH	471737	519316	C-R	415960	51X106	GARLK	481397	51X1271	GARLK	450096
51845	C-R	417548	519316	C-R	415960!	51X1064	GARLK	473239	51X1272	GARLK	416738!

! Industrial Size/Type * Minor Width Difference \$F-M Number Is Part Of A Kit
 = The U.S. customer service number is 877-4-TIMKEN. The Canadian customer service numbers are 800-565-4927 (English) and 800-565-0438 (French-Canadian).

NUMERICAL INTERCHANGE

Zero Duplication or Recommended Industrial		Zero Duplication or Recommended Industrial		Zero Duplication or Recommended Industrial		Zero Duplication or Recommended Industrial					
Mfr. No.	Name	Mfr. No.	Name	Mfr. No.	Name	Mfr. No.	Name				
51X1272	GARLK	450096	51X1445	GARLK	472020*	51X1667	GARLK	416271!*	51X1889	GARLK	455311*
51X1280	GARLK	450532*	51X1446	GARLK	472020	51X1673	GARLK	410825	51X189	GARLK	471729*
51X1281	GARLK	450532*	51X1450	GARLK	470354*	51X1674	GARLK	410825*	51X1890	GARLK	455311*
51X1282	GARLK	451948*	51X1451	GARLK	470354	51X1676	GARLK	416071*	51X1891	GARLK	415988*
51X1283	GARLK	451948*	51X1452	GARLK	470354*	51X1687	GARLK	473475*	51X1892	GARLK	415988*
51X1284	GARLK	451948*	51X1459	GARLK	50631*	51X1688	GARLK	473475	51X1893	GARLK	415988*
51X1285	GARLK	473466*	51X1460	GARLK	50631*	51X1689	GARLK	473475*	51X1894	GARLK	417481*
51X1286	GARLK	473466*	51X1461	GARLK	50631*	51X169	GARLK	474273	51X1895	GARLK	417481*
51X1287	GARLK	473466	51X1472	GARLK	471341!	51X1693	GARLK	413246	51X1896	GARLK	417481*
51X1288	GARLK	472012*	51X1478	GARLK	473473	51X1694	GARLK	413246	51X1897	GARLK	455280*
51X1289	GARLK	472012*	51X1479	GARLK	473473	51X1695	GARLK	413246	51X1898	GARLK	455280*
51X1290	GARLK	472012	51X1487	GARLK	410737!	51X1696	GARLK	412119!	51X1899	GARLK	455280*
51X1291	GARLK	450307*	51X1488	GARLK	410737!	51X1697	GARLK	412119!	51X190	GARLK	471729
51X1292	GARLK	450307*	51X1502	GARLK	455136*	51X1698	GARLK	412119!	51X1909	GARLK	411330!*
51X1293	GARLK	450307	51X1503	GARLK	455136	51X1699	GARLK	413247!	51X1910	GARLK	411330!*
51X1294	GARLK	450311*	51X1507	GARLK	472299*	51X170	GARLK	474273	51X1911	GARLK	411330!
51X1295	GARLK	450311*	51X1508	GARLK	472299*	51X1700	GARLK	413247!	51X1912	GARLK	415302*
51X1296	GARLK	450311	51X1509	GARLK	471341!	51X1701	GARLK	413247!	51X1913	GARLK	415302*
51X1300	GARLK	416738!	51X1510	GARLK	471272!	51X1705	GARLK	416271!*	51X1914	GARLK	415302
51X1300	GARLK	450096	51X1511	GARLK	471272!	51X1706	GARLK	416271!*	51X1915	GARLK	455311*
51X1301	GARLK	416738!	51X1512	GARLK	471272!	51X1707	GARLK	416271!	51X1916	GARLK	455311*
51X1301	GARLK	450096	51X1518	GARLK	471138!	51X1714	GARLK	416071*	51X1917	GARLK	455311
51X1302	GARLK	416738!	51X1522	GARLK	410737!	51X1715	GARLK	416071*	51X1918	GARLK	415988*
51X1302	GARLK	450096	51X1523	GARLK	410737!	51X1716	GARLK	416071	51X1919	GARLK	415988*
51X1306	GARLK	450313*	51X1524	GARLK	410737!	51X1724	GARLK	471887*	51X1920	GARLK	415988*
51X1307	GARLK	450313*	51X1531	GARLK	411253!	51X1736	GARLK	412040*	51X1921	GARLK	417481*
51X1308	GARLK	450313	51X1532	GARLK	411253!	51X1748	GARLK	411245!	51X1922	GARLK	417481*
51X1309	GARLK	450532*	51X1533	GARLK	411253!	51X175	GARLK	471539!	51X1923	GARLK	417481
51X1310	GARLK	450532*	51X1534	GARLK	412920!	51X176	GARLK	471539!	51X1924	GARLK	455280*
51X1311	GARLK	450532*	51X1535	GARLK	412920!	51X1771	GARLK	412040*	51X1925	GARLK	455280*
51X1312	GARLK	450343*	51X1536	GARLK	412920!	51X1772	GARLK	412040*	51X1926	GARLK	455280*
51X1313	GARLK	450343*	51X1537	GARLK	455136*	51X1773	GARLK	412040	51X1931	GARLK	412871!
51X1314	GARLK	450343*	51X1538	GARLK	455136*	51X1775	GARLK	50560*	51X1934	GARLK	413248
51X1331	GARLK	410308!	51X1539	GARLK	455136	51X1776	GARLK	50560*	51X1937	GARLK	450412*
51X1332	GARLK	410308!	51X154	GARLK	470390	51X178	GARLK	471231!	51X1938	GARLK	450412
51X1334	GARLK	472016*	51X1540	GARLK	411376!	51X1780	GARLK	450104*	51X1947	GARLK	415458!
51X1339	GARLK	472409!	51X1541	GARLK	411376!	51X1781	GARLK	450104*	51X1949	GARLK	417343!*
51X1340	GARLK	472409!	51X1542	GARLK	411376!	51X1782	GARLK	450104	51X1953	GARLK	415007*
51X1358	GARLK	416267!*	51X1546	GARLK	415234!*	51X1783	GARLK	411245!	51X1956	GARLK	417082*
51X1361	GARLK	470898	51X1547	GARLK	415234!*	51X1784	GARLK	411245!	51X196	GARLK	473414*
51X1362	GARLK	470898	51X1548	GARLK	415234!*	51X1785	GARLK	411245!	51X1960	GARLK	413248
51X1363	GARLK	473467	51X1549	GARLK	415259!*	51X179	GARLK	474253	51X1961	GARLK	413248
51X1364	GARLK	473467	51X1550	GARLK	415259!*	51X180	GARLK	472394*	51X1962	GARLK	413248
51X1365	GARLK	473467	51X1551	GARLK	415259!	51X181	GARLK	450588*	51X1966	GARLK	415483!
51X1366	GARLK	472015!	51X1562	GARLK	472150*	51X181	GARLK	450588*	51X1967	GARLK	415483!
51X1367	GARLK	472015!	51X1574	GARLK	411394!	51X1811	GARLK	410496!	51X1968	GARLK	415483!
51X1368	GARLK	472015!	51X1577	GARLK	410694!*	51X182	GARLK	450588	51X1972	GARLK	415458!
51X1369	GARLK	410308!	51X1579	GARLK	450133*	51X1829	GARLK	455079!*	51X1973	GARLK	415458!
51X1370	GARLK	410308!	51X1580	GARLK	450133*	51X184	GARLK	471645	51X1974	GARLK	415458!
51X1371	GARLK	410308!	51X1586	GARLK	416444*	51X1840	GARLK	471271!	51X1975	GARLK	417343!*
51X1372	GARLK	472016*	51X159	GARLK	481443!	51X1841	GARLK	471271!	51X1976	GARLK	417343!*
51X1373	GARLK	472016*	51X1595	GARLK	455321*	51X1842	GARLK	471271!	51X1977	GARLK	417343!
51X1374	GARLK	472016	51X1596	GARLK	455321	51X1852	GARLK	415449!	51X1978	GARLK	415007*
51X1379	GARLK	450621*	51X160	GARLK	481443!*	51X1853	GARLK	415449!	51X1979	GARLK	415007*
51X1380	GARLK	450621*	51X1600	GARLK	472150*	51X1854	GARLK	415449!	51X1980	GARLK	415007*
51X1386	GARLK	450869*	51X1601	GARLK	472150*	51X1855	GARLK	415001!	51X1981	GARLK	417082*
51X1396	GARLK	416267!*	51X1602	GARLK	472150	51X1856	GARLK	415001!	51X1982	GARLK	417082*
51X1397	GARLK	416267!*	51X161	GARLK	481568!	51X1857	GARLK	415001!	51X1983	GARLK	417082*
51X1398	GARLK	416267!	51X1612	GARLK	411394!	51X1858	GARLK	416273!	51X1995	GARLK	455434
51X1407	GARLK	473471*	51X1613	GARLK	411394!	51X1859	GARLK	416273!	51X200	GARLK	473414*
51X1409	GARLK	472020*	51X1614	GARLK	411394!	51X186	GARLK	471686	51X2014	GARLK	455434*
51X1424	GARLK	412943*	51X162	GARLK	481568!*	51X1860	GARLK	416273!	51X2015	GARLK	455434*
51X1435	GARLK	472234*	51X1633	GARLK	455321*	51X1861	GARLK	455079!*	51X2016	GARLK	455434
51X1436	GARLK	472234*	51X1634	GARLK	455321*	51X1862	GARLK	455079!*	51X2023	GARLK	455151*
51X1437	GARLK	472234	51X1635	GARLK	455321	51X1863	GARLK	455079!	51X2024	GARLK	455151*
51X1438	GARLK	472018*	51X1640	GARLK	473474*	51X187	GARLK	473412*	51X2025	GARLK	455151
51X1439	GARLK	472018	51X1643	GARLK	470565!*	51X188	GARLK	473412	51X2026	GARLK	455008*
51X1440	GARLK	472018*	51X1649	GARLK	473475	51X1882	GARLK	413479*	51X2027	GARLK	455008*
51X1441	GARLK	473471*	51X1655	GARLK	413246	51X1883	GARLK	413479*	51X2028	GARLK	455008*
51X1442	GARLK	473471	51X166	GARLK	481644*	51X1884	GARLK	413479	51X2033	GARLK	480491*
51X1443	GARLK	473471*	51X1664	GARLK	410987!	51X1886	GARLK	415302*	51X2034	GARLK	480491
51X1444	GARLK	472020*	51X1665	GARLK	410987!	51X1887	GARLK	415302	51X204	GARLK	473415

! Industrial Size/Type * Minor Width Difference

Zero Duplication or Recommended Industrial		Zero Duplication or Recommended Industrial		Zero Duplication or Recommended Industrial		Zero Duplication or Recommended Industrial		
Mfr. No.	Name	Mfr. No.	Name	Mfr. No.	Name	Mfr. No.	Name	
51X2042	GARLK	415984!	51X258	GARLK	474252	51X385	GARLK	473426*
51X2051	GARLK	416706!	51X259	GARLK	450039*	51X3863	GARLK	350435
51X2056	GARLK	416664!	51X260	GARLK	450039	51X3869	GARLK	472705!
51X2057	GARLK	416664!	51X269	GARLK	451583!*	51X3871	GARLK	450342
51X2058	GARLK	416664!	51X270	GARLK	451583!*	51X3874	GARLK	471747!
51X2059	GARLK	417484!	51X2706	GARLK	417238	51X3882	GARLK	471344*
51X2060	GARLK	417484!	51X2707	GARLK	417238*	51X3886	GARLK	450090*
51X2061	GARLK	417484!	51X271	GARLK	450545*	51X3889	GARLK	450965*
51X2062	GARLK	415984!*	51X272	GARLK	450545	51X39	GARLK	474277
51X2063	GARLK	415984!*	51X273	GARLK	471648*	51X3902	GARLK	455080*
51X2064	GARLK	415984!*	51X274	GARLK	471648*	51X3905	GARLK	472234*
51X2065	GARLK	417316!	51X276	GARLK	471688	51X3906	GARLK	472234
51X2066	GARLK	417316!	51X277	GARLK	450040*	51X3909	GARLK	416921!
51X2067	GARLK	417316!	51X278	GARLK	450040	51X3910	GARLK	417486*
51X2068	GARLK	415960	51X279	GARLK	451082*	51X3912	GARLK	415995!
51X2069	GARLK	415960	51X280	GARLK	451082	51X3924	GARLK	417602!*
51X2070	GARLK	415960	51X285	GARLK	450339*	51X3932	GARLK	455123
51X2086	GARLK	455005*	51X286	GARLK	450339	51X3983	GARLK	417606*
51X2087	GARLK	455005*	51X287	GARLK	471224!	51X40	GARLK	474277
51X2088	GARLK	455005	51X288	GARLK	471224!	51X403	GARLK	450048*
51X2089	GARLK	417485*	51X289	GARLK	473380*	51X404	GARLK	450048
51X2090	GARLK	417485*	51X290	GARLK	473380	51X405	GARLK	450173*
51X2091	GARLK	417485*	51X291	GARLK	471649!	51X406	GARLK	450173
51X2092	GARLK	475384*	51X292	GARLK	471649!	51X425	GARLK	471750!
51X2093	GARLK	475384*	51X293	GARLK	471689!	51X434	GARLK	450177*
51X2094	GARLK	475384*	51X294	GARLK	471689!	51X435	GARLK	450177*
51X2101	GARLK	455005*	51X295	GARLK	450593*	51X444	GARLK	471808!
51X2102	GARLK	455005*	51X295	GARLK	450593!*	51X4483	GARLK	415442!
51X2103	GARLK	455005	51X296	GARLK	450593!	51X4483	GARLK	55442
51X2104	GARLK	417485*	51X297	GARLK	471733*	51X4484	GARLK	455396*
51X2105	GARLK	417485*	51X298	GARLK	471733	51X449	GARLK	470050
51X2106	GARLK	417485*	51X299	GARLK	471744!*	51X450	GARLK	470050*
51X2116	GARLK	415303!*	51X2994	GARLK	417258	51X452	GARLK	473424!
51X2119	GARLK	417344!	51X2995	GARLK	417258	51X454	GARLK	450124=
51X2130	GARLK	415303!*	51X300	GARLK	471744!	51X455	GARLK	450124=
51X2131	GARLK	415303!*	51X301	GARLK	471760*	51X4560	GARLK	415294!
51X2132	GARLK	417344!	51X302	GARLK	471760	51X4579	GARLK	470088
51X2133	GARLK	417344!	51X303	GARLK	471619!	51X4580	GARLK	415023
51X2134	GARLK	417344!	51X304	GARLK	471619!	51X4586	GARLK	471570!
51X2135	GARLK	416404!*	51X308	GARLK	481650*	51X4589	GARLK	450400*
51X2136	GARLK	416404!*	51X341	GARLK	450044*	51X4590	GARLK	472164!
51X2137	GARLK	416404!*	51X342	GARLK	450044	51X4592	GARLK	470898
51X2138	GARLK	416921!	51X347	GARLK	450159	51X4593	GARLK	411330!*
51X2139	GARLK	416921!	51X348	GARLK	450159	51X46	GARLK	470004!
51X2140	GARLK	416921!	51X3596	GARLK	417600*	51X4600	GARLK	474256
51X2156	GARLK	417486*	51X3597	GARLK	417600	51X4603	GARLK	471231!
51X2157	GARLK	416956*	51X3600	GARLK	417601*	51X4605	GARLK	471554!
51X2158	GARLK	416956*	51X3601	GARLK	417601	51X4610	GARLK	415871*
51X2159	GARLK	416956	51X3609	GARLK	417022*	51X4640	GARLK	415991
51X2160	GARLK	417159*	51X3610	GARLK	417604*	51X4640	GARLK	455146!
51X2161	GARLK	417159*	51X3611	GARLK	417567*	51X4645	GARLK	450143
51X2162	GARLK	417159*	51X3619	GARLK	455462	51X4646	GARLK	412119!
51X2163	GARLK	416654!	51X3623	GARLK	415090	51X4651	GARLK	415035
51X2164	GARLK	416654!	51X3627	GARLK	55218=	51X4651	GARLK	415035!
51X2165	GARLK	416654!	51X364	GARLK	471736	51X4652	GARLK	416239!*
51X2166	GARLK	417486*	51X3647	GARLK	417606*	51X4654	GARLK	417172*
51X2167	GARLK	417486*	51X3648	GARLK	417606	51X4659	GARLK	473244
51X2190	GARLK	55548*	51X3656	GARLK	55224=	51X4662	GARLK	470506!
51X2191	GARLK	55548*	51X366	GARLK	473428	51X4665	GARLK	472636!
51X2196	GARLK	455820*	51X3660	GARLK	417605*	51X4667	GARLK	55548*
51X2197	GARLK	455820*	51X3673	GARLK	417020	51X4668	GARLK	417541*
51X2223	GARLK	455020*	51X368	GARLK	471764!	51X4669	GARLK	416892!*
51X2224	GARLK	455020*	51X3680	GARLK	415227!	51X4670	GARLK	472924!
51X241	GARLK	450038*	51X3689	GARLK	55228=	51X4671	GARLK	471504!
51X242	GARLK	450038	51X3694	GARLK	415482	51X4672	GARLK	472164!
51X2436	GARLK	415832*	51X37	GARLK	50199S!	51X4681	GARLK	415124*
51X2437	GARLK	415832*	51X37	GARLK	6863S!	51X4682	GARLK	417351!
51X2451	GARLK	55646* =	51X3705	GARLK	415076*	51X4686	GARLK	417344!
51X2452	GARLK	55646* =	51X375	GARLK	450362	51X4688	GARLK	415645!
51X257	GARLK	472951	51X376	GARLK	450362*	51X4688	GARLK	455104
51X257	GARLK	474252	51X38	GARLK	50199S!	51X4691	GARLK	473475*
51X258	GARLK	472951	51X38	GARLK	6863S!	51X4693	GARLK	472144!*
51X4695	GARLK	416229*	51X4695	GARLK	416229*	51X4695	GARLK	416229*
51X4704	GARLK	471785!	51X4704	GARLK	471785!	51X4704	GARLK	471785!
51X4710	GARLK	455026*	51X4710	GARLK	455026*	51X4710	GARLK	455026*
51X4712	GARLK	456105*	51X4712	GARLK	456105*	51X4712	GARLK	456105*
51X4717	GARLK	455019!*	51X4717	GARLK	455019!*	51X4717	GARLK	455019!*
51X4718	GARLK	473212!*	51X4718	GARLK	473212!*	51X4718	GARLK	473212!*
51X4720	GARLK	416107!	51X4720	GARLK	416107!	51X4720	GARLK	416107!
51X4720	GARLK	455073	51X4720	GARLK	455073	51X4720	GARLK	455073
51X4723	GARLK	417134	51X4723	GARLK	417134	51X4723	GARLK	417134
51X4727	GARLK	416865!*	51X4727	GARLK	416865!*	51X4727	GARLK	416865!*
51X4729	GARLK	457874	51X4729	GARLK	457874	51X4729	GARLK	457874
51X4732	GARLK	417196!*	51X4732	GARLK	417196!*	51X4732	GARLK	417196!*
51X4734	GARLK	415082*	51X4734	GARLK	415082*	51X4734	GARLK	415082*
51X4735	GARLK	411376!	51X4735	GARLK	411376!	51X4735	GARLK	411376!
51X4736	GARLK	55028*	51X4736	GARLK	55028*	51X4736	GARLK	55028*
51X4738	GARLK	417621!	51X4738	GARLK	417621!	51X4738	GARLK	417621!
51X4740	GARLK	414045!*	51X4740	GARLK	414045!*	51X4740	GARLK	414045!*
51X4745	GARLK	415991	51X4745	GARLK	415991	51X4745	GARLK	415991
51X4745	GARLK	455146!	51X4745	GARLK	455146!	51X4745	GARLK	455146!
51X4752	GARLK	417512*	51X4752	GARLK	417512*	51X4752	GARLK	417512*
51X4754	GARLK	471554!	51X4754	GARLK	471554!	51X4754	GARLK	471554!
51X4766	GARLK	473232	51X4766	GARLK	473232	51X4766	GARLK	473232
51X4768	GARLK	415482*	51X4768	GARLK	415482*	51X4768	GARLK	415482*
51X4771	GARLK	416892!*	51X4771	GARLK	416892!*	51X4771	GARLK	416892!*
51X4772	GARLK	416345!	51X4772	GARLK	416345!	51X4772	GARLK	416345!
51X4772	GARLK	455033	51X4772	GARLK	455033	51X4772	GARLK	455033
51X4774	GARLK	55078S*	51X4774	GARLK	55078S*	51X4774	GARLK	55078S*
51X4775	GARLK	417526*	51X4775	GARLK	417526*	51X4775	GARLK	417526*
51X4780	GARLK	416892!*	51X4780	GARLK	416892!*	51X4780	GARLK	416892!*
51X4781	GARLK	471549!	51X4781	GARLK	471549!	51X4781	GARLK	471549!
51X4783	GARLK	417541*	51X4783	GARLK	417541*	51X4783	GARLK	417541*
51X4784	GARLK	415072*	51X4784	GARLK	415072*	51X4784	GARLK	415072*
51X4785	GARLK	415124*	51X4785	GARLK	415124*	51X4785	GARLK	415124*
51X4787	GARLK	476470	51X4787	GARLK	476470	51X4787	GARLK	476470
51X4788	GARLK	415066*	51X4788	GARLK	415066*	51X4788	GARLK	415066*
51X4789	GARLK	415327*	51X4789	GARLK	415327*	51X4789	GARLK	415327*
51X4790	GARLK	416288!*	51X4790	GARLK	416288!*	51X4790	GARLK	416288!*
51X4792	GARLK	471354!*	51X4792	GARLK	471354!*	51X4792	GARLK	471354!*
51X4800	GARLK	417020*	51X4800	GARLK	417020*	51X4800	GARLK	417020*
51X4801	GARLK	415227!*	51X4801	GARLK	415227!*	51X4801	GARLK	415227!*
51X4803	GARLK	55532=	51X4803	GARLK	55532=	51X4803	GARLK	55532=
51X4804	GARLK	417487	51X4804	GARLK	417487	51X4804	GARLK	417487
51X4805	GARLK	55228* =	51X4805	GARLK	55228* =	51X4805	GARLK	55228* =
51X4806	GARLK	455129*	51X4806	GARLK	455129*	51X4806	GARLK	455129*
51X4808	GARLK	417247!*	51X4808	GARLK	417247!*	51X4808	GARLK	417247!*
51X4809	GARLK	415294!	51X4809	GARLK	415294!	51X4809	GARLK	415294!
51X4825	GARLK	417254*	51X4825	GARLK	417254*	51X4825	GARLK	417254*
51X4828	GARLK	416865!*	51X4828	GARLK	416865!*	51X4828	GARLK	416865!*
51X4832	GARLK	415303!*	51X4832	GARLK	415303!*	51X4832	GARLK	415303!*
51X4836	GARLK	417247!*	51X4836	GARLK	417247!*	51X4836	GARLK	417247!*
51X4837	GARLK	415196!*	51X4837	GARLK	415196!*	51X4837	GARLK	415196!*
51X4838	GARLK	413469!*	51X4838	GARLK	413469!*	51X4838	GARLK	413469!*
51X484	GARLK	450129	51X484	GARLK	450129	51X484	GARLK	450129
51X484	GARLK	472826!	51X484	GARLK	472826!	51X484	GARLK	472826!
51X4842	GARLK	471472!	51X4842	GARLK	471472!	51X4842	GARLK	471472!
51X4844	GARLK	415001!	51X4844	GARLK	415001!	51X48		

Zero Duplication or Recommended Industrial		Zero Duplication or Recommended Industrial		Zero Duplication or Recommended Industrial		Zero Duplication or Recommended Industrial					
Mfr. No.	Name	Mfr. No.	Name	Mfr. No.	Name	Mfr. No.	Name				
51X4882	GARLK	417262!	51X512	GARLK	473435*	51X6272	GARLK	472492!	51X6511	GARLK	415088
51X4883	GARLK	417269!	51X513	GARLK	473435*	51X6289	GARLK	471498*	51X6511	GARLK	415088!
51X489	GARLK	473421*	51X514	GARLK	473436*	51X6328	GARLK	417621!	51X6513	GARLK	416167!
51X4891	GARLK	471862*	51X515	GARLK	473436	51X6333	GARLK	455330!*	51X6515	GARLK	455434*
51X4897	GARLK	415025*	51X516	GARLK	473436*	51X6335	GARLK	455583N!*	51X6516	GARLK	473231
51X4899	GARLK	455536*	51X517	GARLK	50168*	51X6340	GARLK	417600*	51X6517	GARLK	471808!*
51X490	GARLK	473211!*	51X518	GARLK	50168*	51X6353	GARLK	473405*	51X6521	GARLK	455462*
51X4900	GARLK	471391!*	51X519	GARLK	50168	51X6356	GARLK	476470*	51X6522	GARLK	471984*
51X4902	GARLK	417269!	51X520	GARLK	450054*	51X6358	GARLK	415991	51X6523	GARLK	471267!*
51X4904	GARLK	416556!	51X521	GARLK	450054*	51X6358	GARLK	455146!	51X6528	GARLK	418028
51X4904	GARLK	472157	51X522	GARLK	450054	51X6359	GARLK	416332!	51X6528	GARLK	455137!
51X4907	GARLK	50026*	51X540	GARLK	472287!*	51X6360	GARLK	415035	51X6529	GARLK	473224!*
51X491	GARLK	473211!	51X558	GARLK	471835!	51X6360	GARLK	415035!	51X6530	GARLK	415072*
51X4912	GARLK	415150!*	51X560	GARLK	472843*	51X6361	GARLK	415196!*	51X6534	GARLK	415991
51X4914	GARLK	416271!*	51X561	GARLK	472843	51X6363	GARLK	416888!	51X6534	GARLK	455146!
51X4916	GARLK	470898	51X574	GARLK	50254* =	51X6365	GARLK	415725!*	51X6541	GARLK	411245!
51X492	GARLK	473211!*	51X575	GARLK	50254* =	51X6366	GARLK	417549!*	51X6545	GARLK	415711*
51X4924	GARLK	417597*	51X576	GARLK	50254* =	51X6369	GARLK	417515*	51X6546	GARLK	472439*
51X4925	GARLK	417606*	51X5886	GARLK	455008*	51X6370	GARLK	416229*	51X6547	GARLK	473237!*
51X4928	GARLK	416154!*	51X5887	GARLK	473446*	51X6374	GARLK	416364!*	51X6548	GARLK	473243*
51X4929	GARLK	455462*	51X5892	GARLK	416888!	51X6375	GARLK	416239!*	51X6549	GARLK	473405*
51X493	GARLK	473212!*	51X5893	GARLK	472810!	51X6378	GARLK	415867*	51X6550	GARLK	417605*
51X4934	GARLK	415066*	51X5897	GARLK	455080*	51X6385	GARLK	417603!	51X6551	GARLK	473228
51X4938	GARLK	412920!	51X5900	GARLK	473466*	51X6387	GARLK	55301S*	51X6554	GARLK	473236!*
51X494	GARLK	473212!*	51X5906	GARLK	417020*	51X6389	GARLK	55222* =	51X6556	GARLK	417357
51X4945	GARLK	416738!	51X5907	GARLK	416404!*	51X6390	GARLK	55239* =	51X6556	GARLK	455192!
51X4945	GARLK	450096	51X5912	GARLK	417548*	51X6391	GARLK	417605*	51X6560	GARLK	412040*
51X495	GARLK	473212!	51X5913	GARLK	472018*	51X6395	GARLK	415482*	51X6563	GARLK	415045!*
51X4958	GARLK	411394!	51X5914	GARLK	473010	51X6411	GARLK	471413*	51X6564	GARLK	415551*
51X4959	GARLK	416268	51X5920	GARLK	417567*	51X6413	GARLK	417247!*	51X6565	GARLK	417357
51X4966	GARLK	417247!*	51X5922	GARLK	417349*	51X6414	GARLK	473460*	51X6565	GARLK	455192!
51X4967	GARLK	417549!*	51X5925	GARLK	417486*	51X6415	GARLK	471554!	51X6568	GARLK	415035
51X4968	GARLK	416144*	51X5929	GARLK	415551*	51X6418	GARLK	415295*	51X6568	GARLK	415035!
51X497	GARLK	323138!*	51X5930	GARLK	417211!*	51X6422	GARLK	417598*	51X6573	GARLK	415090*
51X4976	GARLK	472843*	51X5933	GARLK	55301S*	51X6430	GARLK	471785!	51X6576	GARLK	470774!
51X498	GARLK	473213!	51X5938	GARLK	415371*	51X6431	GARLK	455022*	51X6578	GARLK	415449!
51X4982	GARLK	417547*	51X5945	GARLK	417278*	51X6433	GARLK	416364!*	51X6580	GARLK	450593!
51X4987	GARLK	415458!	51X5947	GARLK	411253!	51X6434	GARLK	417357	51X6581	GARLK	417603!*
51X4988	GARLK	470774!	51X5948	GARLK	415984!*	51X6434	GARLK	455192!	51X6584	GARLK	476470
51X499	GARLK	450503* =	51X5953	GARLK	417357	51X6437	GARLK	416239!*	51X6585	GARLK	455655!*
51X4991	GARLK	455480!*	51X5953	GARLK	455192!	51X6438	GARLK	472397!	51X6586	GARLK	415090*
51X4992	GARLK	473237!	51X5957	GARLK	471413!*	51X6439	GARLK	417350!	51X6588	GARLK	416654!
51X4998	GARLK	417486*	51X5959	GARLK	415090*	51X6440	GARLK	471272!	51X6590	GARLK	416332!
51X5	GARLK	350364	51X5960	GARLK	417606*	51X6444	GARLK	416654!	51X6592	GARLK	473450
51X500	GARLK	450503* =	51X5966	GARLK	472179	51X6446	GARLK	412473!	51X6593	GARLK	472015!
51X5002	GARLK	415683*	51X5968	GARLK	473474	51X6450	GARLK	471619!	51X6599	GARLK	416921!
51X5005	GARLK	472179	51X5969	GARLK	455509	51X6451	GARLK	417488!*	51X65X7SC	TRSCM	51X65X7!
51X50056E	JOHND	471272 =	51X5978	GARLK	473380*	51X6456	GARLK	415449!	51X65X7TC	TRSCM	51X65X7!
51X5007	GARLK	472287!*	51X5980	GARLK	412119!	51X6457	GARLK	450129	51X6600	GARLK	416345!
51X5008	GARLK	415437!	51X5981	GARLK	55078S*	51X6457	GARLK	472826!	51X6600	GARLK	455033
51X501	GARLK	450503* =	51X5983	GARLK	415036*	51X6461	GARLK	456105*	51X6602	GARLK	476470
51X5025	GARLK	416288!*	51X6	GARLK	350364*	51X6462	GARLK	473225!*	51X6603	GARLK	415725!*
51X5028	GARLK	455476*	51X60	GARLK	471530	51X6465	GARLK	415449!	51X6604	GARLK	472015!
51X5030	GARLK	415023	51X6062	GARLK	472810!	51X6466	GARLK	471763*	51X6605	GARLK	473243!*
51X5031	GARLK	415072*	51X6099	GARLK	481397*	51X6467	GARLK	417316!	51X6608	GARLK	471870!
51X5041	GARLK	471538!*	51X610	GARLK	473437*	51X6468	GARLK	416071*	51X6610	GARLK	473228
51X5043	GARLK	415371*	51X611	GARLK	473437*	51X6469	GARLK	472394*	51X6616	GARLK	455476* =
51X5049	GARLK	415034!	51X612	GARLK	473437	51X6471	GARLK	417316!	51X663	GARLK	470487!
51X5050	GARLK	350364*	51X6127	GARLK	471231!	51X6474	GARLK	470682*	51X6630	GARLK	55367* =
51X5051	GARLK	417539!*	51X614	GARLK	471862*	51X6475	GARLK	471835!	51X6632	GARLK	455151
51X5053	GARLK	473242*	51X615	GARLK	471862	51X6478	GARLK	471272!	51X6634	GARLK	415116*
51X5059	GARLK	417351!	51X619	GARLK	473438*	51X6479	GARLK	471192	51X6635	GARLK	417542*
51X5060	GARLK	455336*	51X6192	GARLK	470806*	51X6484	GARLK	416666*	51X6637	GARLK	471466!
51X5061	GARLK	415483!	51X620	GARLK	473438*	51X6487	GARLK	471887*	51X6638	GARLK	473240!*
51X5063	GARLK	55028*	51X621	GARLK	473438	51X6489	GARLK	476470	51X6639	GARLK	473197
51X5066	GARLK	415045!*	51X6224	GARLK	480630!	51X6497	GARLK	417487	51X6640	GARLK	415725!*
51X5078	GARLK	472397!*	51X6230	GARLK	473231	51X6499	GARLK	417487	51X6644	GARLK	457874
51X5079	GARLK	416339	51X6231	GARLK	473231	51X6500	GARLK	471267!*	51X6645	GARLK	415991
51X5079	GARLK	455031!	51X6245	GARLK	450400*	51X6502	GARLK	416288!*	51X6645	GARLK	455146!
51X5082	GARLK	450124 =	51X6252	GARLK	472164!	51X6506	GARLK	471271!	51X6651	GARLK	417343!*
51X511	GARLK	473435*	51X6266	GARLK	417474*	51X651	GARLK	471820*	51X6652	GARLK	417496*
			51X6271	GARLK	470625!*	51X6510	GARLK	417600*	51X666	GARLK	473440!

! Industrial Size/Type * Minor Width Difference

= The U.S. customer service number is 877-4-TIMKEN. The Canadian customer service numbers are 800-565-4927 (English) and 800-565-0438 (French-Canadian).

Zero Duplication or Recommended Industrial		Zero Duplication or Recommended Industrial		Zero Duplication or Recommended Industrial		Zero Duplication or Recommended Industrial			
Mfr. No.	Name	Mfr. No.	Name	Mfr. No.	Name	Mfr. No.	Name		
51X6664	GARLK	415379		51X7091	GARLK	415082*	51X7262	GARLK	474274
51X6664	GARLK	415379!		51X7099	GARLK	472924!	51X7265	GARLK	417362!*
51X6665	GARLK	417541*		51X7101	GARLK	417604	51X7269	GARLK	415437
51X6667	GARLK	470059		51X7104	GARLK	415458!	51X7270	GARLK	417181!*
51X6667	GARLK	470380!		51X7110	GARLK	416888!	51X7272	GARLK	472492!
51X6668	GARLK	413478*		51X7114	GARLK	415551*	51X7276	GARLK	416077*
51X6670	GARLK	415294!		51X7115	GARLK	415991	51X7277	GARLK	417474
51X6674	GARLK	471795		51X7120	GARLK	417366!*	51X7280	GARLK	471821!
51X6675	GARLK	450165		51X7121	GARLK	473437*	51X7282	GARLK	416339
51X6675	GARLK	471801!		51X7125	GARLK	473231	51X7282	GARLK	455031!
51X6678	GARLK	417082*		51X7128	GARLK	416666*	51X7284	GARLK	417539!*
51X6679	GARLK	417191		51X7130	GARLK	471316	51X7285	GARLK	411245!
51X6679	GARLK	456585		51X7134	GARLK	416154!*	51X7289	GARLK	417191
51X6680	GARLK	416921!		51X7137	GARLK	470059	51X7291	GARLK	456585
51X6682	GARLK	472636!		51X7140	GARLK	470380!	51X7292	GARLK	416891!*
51X6687	GARLK	415077*		51X7141	GARLK	472029*	51X7299	GARLK	417316!
51X669	GARLK	474281!		51X7141	GARLK	416556!	51X7307	GARLK	471529*
51X6692	GARLK	417355!*		51X7141	GARLK	416865!*	51X7307	GARLK	472157
51X670	GARLK	470625!		51X7145	GARLK	472012*	51X7313	GARLK	472164!
51X6700	GARLK	415302*		51X7146	GARLK	472012*	51X7313	GARLK	418028
51X6701	GARLK	473214		51X7152	GARLK	350435*	51X7313	GARLK	455137!
51X6705	GARLK	471821!		51X7152	GARLK	473367!	51X7314	GARLK	55199* =
51X6706	GARLK	473464!		51X7152	GARLK	473367	51X7317	GARLK	417562*
51X6706	GARLK	473464		51X7153	GARLK	417350!	51X7318	GARLK	455406!*
51X6707	GARLK	417554!*		51X7154	GARLK	415036*	51X732	GARLK	451817
51X6708	GARLK	476470		51X7155	GARLK	415072*	51X732	GARLK	451817
51X671	GARLK	470625!		51X7159	GARLK	415072*	51X7320	GARLK	471424!*
51X6711	GARLK	415725!*		51X716	GARLK	455005*	51X7324	GARLK	415027*
51X6713	GARLK	417601*		51X716	GARLK	470682*	51X7327	GARLK	471887*
51X6714	GARLK	415988*		51X7160	GARLK	472016*	51X7328	GARLK	415995!
51X6714	GARLK	415988*		51X7162	GARLK	415351!*	51X7328	GARLK	415027*
51X672	GARLK	470625!		51X7165	GARLK	416891!*	51X7332	GARLK	415027*
51X6722	GARLK	417601*		51X7165	GARLK	416891!*	51X7334	GARLK	455144*
51X6723	GARLK	417488!*		51X7174	GARLK	472018*	51X734	GARLK	450065*
51X6730	GARLK	417344!		51X7176	GARLK	471192	51X7342	GARLK	415645!
51X6732	GARLK	471760*		51X7177	GARLK	416706!	51X7342	GARLK	455104
51X6733	GARLK	330385!		51X7178	GARLK	55199* =	51X7346	GARLK	451948*
51X6734	GARLK	416154!*		51X7186	GARLK	471760*	51X7347	GARLK	415027
51X6739	GARLK	417621!		51X7187	GARLK	415483!	51X7347	GARLK	415027!
51X6741	GARLK	417254*		51X7187	GARLK	415483!	51X7347	GARLK	415027!
51X6745	GARLK	471766!		51X7192	GARLK	415379	51X7348	GARLK	417535*
51X6746	GARLK	415683*		51X7192	GARLK	415379!	51X7349	GARLK	475384*
51X6749	GARLK	471255!		51X7194	GARLK	412473!	51X735	GARLK	450065*
51X6750	GARLK	415645!		51X7195	GARLK	480630!	51X7350	GARLK	415991
51X6750	GARLK	455104		51X7195	GARLK	480630!	51X7350	GARLK	415991
51X6753	GARLK	474265		51X7196	GARLK	415960	51X7350	GARLK	455146!
51X6757	GARLK	411376!		51X7197	GARLK	415995!	51X7353	GARLK	417601*
51X6760	GARLK	417603!*		51X7199	GARLK	417487	51X7357	GARLK	412473!
51X6762	GARLK	417134*		51X720	GARLK	471316	51X7357	GARLK	412473!
51X6764	GARLK	455015*		51X7205	GARLK	416153!	51X7358	GARLK	471646!
51X6765	GARLK	417278*		51X7206	GARLK	415711*	51X7364	GARLK	455019!*
51X6767	GARLK	415035		51X7210	GARLK	415711*	51X7366	GARLK	417550*
51X6768	GARLK	417020*		51X7210	GARLK	455151*	51X7368	GARLK	455480!*
51X6770	GARLK	417604*		51X722	GARLK	473441*	51X7368	GARLK	455480!*
51X6773	GARLK	415551*		51X722	GARLK	473441*	51X7371	GARLK	415551*
51X6774	GARLK	473214		51X7220	GARLK	455191*	51X7372	GARLK	471808!*
51X6794	GARLK	473367!		51X7221	GARLK	416313*	51X7374	GARLK	476470
51X6794	GARLK	473367		51X7223	GARLK	472319*	51X7375	GARLK	417596*
51X6795	GARLK	471341!		51X7224	GARLK	415001!	51X7382	GARLK	411253!
51X6796	GARLK	417362!*		51X7226	GARLK	474264	51X7382	GARLK	411253!
51X6797	GARLK	455330!*		51X7229	GARLK	455189*	51X7386	GARLK	472258!*
51X6798	GARLK	415559*		51X7230	GARLK	415437!	51X7389	GARLK	415379
51X6799	GARLK	415035		51X7230	GARLK	415437	51X7389	GARLK	415379!
51X6799	GARLK	415035		51X7231	GARLK	415437	51X7390	GARLK	471766!
51X6800	GARLK	417082*		51X7233	GARLK	417354!*	51X7391	GARLK	474255
51X6806	GARLK	416339		51X7233	GARLK	415551*	51X740	GARLK	482253*
51X6806	GARLK	455031!		51X7238	GARLK	450104*	51X7402	GARLK	415088
51X6832	GARLK	472179		51X7241	GARLK	455406!*	51X7402	GARLK	415088!
51X6833	GARLK	417606*		51X7245	GARLK	415371*	51X7409	GARLK	416107!
51X6835	GARLK	417509*		51X7247	GARLK	417562*	51X7409	GARLK	455073
51X6838	GARLK	9568*		51X7248	GARLK	473459	51X7418	GARLK	482253
51X6839	GARLK	476470*		51X7249	GARLK	415960	51X7418	GARLK	415683*
51X6840	GARLK	417506*		51X7253	GARLK	415027	51X7419	GARLK	476470
51X6842	GARLK	417020*		51X7253	GARLK	415027!	51X7420	GARLK	472029*
				51X7254	GARLK	473234	51X7423	GARLK	6936S
				51X7255	GARLK	417351!	51X743	GARLK	451469*
				51X7258	GARLK	416892!*	51X7433	GARLK	415072*
				51X7259	GARLK	450133*	51X7435	GARLK	472020*
				51X726	GARLK	450273	51X7436	GARLK	415327*

! Industrial Size/Type * Minor Width Difference

= The U.S. customer service number is 877-4-TIMKEN. The Canadian customer service numbers are 800-565-4927 (English) and 800-565-0438 (French-Canadian).

NUMERICAL INTERCHANGE

Zero Duplication or Recommended Industrial		Zero Duplication or Recommended Industrial		Zero Duplication or Recommended Industrial		Zero Duplication or Recommended Industrial	
Mfr. No.	Name	Mfr. No.	Name	Mfr. No.	Name	Mfr. No.	Name
51X7439	GARLK	51X7747	GARLK	51X8127	GARLK	51X8409	GARLK
51X7440	GARLK	51X7749	GARLK	51X8128	GARLK	51X8410	GARLK
51X7440	GARLK	51X7752	GARLK	51X8129	GARLK	51X8416	GARLK
51X7447	GARLK	51X7758	GARLK	51X8131	GARLK	51X8417	GARLK
51X7447	GARLK	51X7759	GARLK	51X8135	GARLK	51X8419	GARLK
51X7448	GARLK	51X7764	GARLK	51X8140	GARLK	51X8423	GARLK
51X7510	GARLK	51X7765	GARLK	51X8151	GARLK	51X8430	GARLK
51X7516	GARLK	51X7765	GARLK	51X8151	GARLK	51X8437	GARLK
51X7518	GARLK	51X7768	GARLK	51X8153	GARLK	51X8442	GARLK
51X7523	GARLK	51X7772	GARLK	51X8154	GARLK	51X8443	GARLK
51X753	GARLK	51X7774	GARLK	51X8156	GARLK	51X8460	GARLK
51X7542	GARLK	51X7775	GARLK	51X8161	GARLK	51X8462	GARLK
51X7544	GARLK	51X7776	GARLK	51X8165	GARLK	51X8466	GARLK
51X7544	GARLK	51X7780	GARLK	51X8169	GARLK	51X8469	GARLK
51X7549	GARLK	51X7783	GARLK	51X8173	GARLK	51X8470	GARLK
51X7551	GARLK	51X7784	GARLK	51X8187	GARLK	51X8471	GARLK
51X7551	GARLK	51X7785	GARLK	51X8188	GARLK	51X8477	GARLK
51X7554	GARLK	51X7786	GARLK	51X8192	GARLK	51X8488	GARLK
51X7555	GARLK	51X7787	GARLK	51X820	GARLK	51X8494	GARLK
51X7559	GARLK	51X779	GARLK	51X8205	GARLK	51X8498	GARLK
51X7559	GARLK	51X7791	GARLK	51X8208	GARLK	51X8521	GARLK
51X7560	GARLK	51X7791	GARLK	51X821	GARLK	51X8530	GARLK
51X7561	GARLK	51X7795	GARLK	51X8213	GARLK	51X8551	GARLK
51X7562	GARLK	51X7796	GARLK	51X8214	GARLK	51X8556	GARLK
51X7563	GARLK	51X7803	GARLK	51X822	GARLK	51X8556	GARLK
51X7564	GARLK	51X7812	GARLK	51X8222	GARLK	51X8560	GARLK
51X7566	GARLK	51X7812	GARLK	51X8224	GARLK	51X8566	GARLK
51X7568	GARLK	51X7814	GARLK	51X8231	GARLK	51X8569	GARLK
51X7572	GARLK	51X7819	GARLK	51X8231	GARLK	51X8570	GARLK
51X7574	GARLK	51X7824	GARLK	51X8233	GARLK	51X8571	GARLK
51X7578	GARLK	51X7825	GARLK	51X8238	GARLK	51X8572	GARLK
51X7590	GARLK	51X7829	GARLK	51X8243	GARLK	51X8573	GARLK
51X7590	GARLK	51X7831	GARLK	51X8245	GARLK	51X8579	GARLK
51X7594	GARLK	51X7837	GARLK	51X8248	GARLK	51X8585	GARLK
51X7603	GARLK	51X7839	GARLK	51X825	GARLK	51X8585	GARLK
51X7610	GARLK	51X7840	GARLK	51X8251	GARLK	51X8591	GARLK
51X7611	GARLK	51X7842	GARLK	51X8252	GARLK	51X8592	GARLK
51X7612	GARLK	51X7861	GARLK	51X8252	GARLK	51X8596	GARLK
51X7615	GARLK	51X7864	GARLK	51X8262	GARLK	51X8608	GARLK
51X7615	GARLK	51X7873	GARLK	51X8265	GARLK	51X862	GARLK
51X7616	GARLK	51X7877	GARLK	51X8266	GARLK	51X8628	GARLK
51X7626	GARLK	51X7879	GARLK	51X8266	GARLK	51X8629	GARLK
51X7629	GARLK	51X7880	GARLK	51X8267	GARLK	51X8631	GARLK
51X7633	GARLK	51X7880	GARLK	51X8270	GARLK	51X8633	GARLK
51X7642	GARLK	51X790	GARLK	51X8272	GARLK	51X8635	GARLK
51X7646	GARLK	51X7907	GARLK	51X8274	GARLK	51X8636	GARLK
51X7649	GARLK	51X7907	GARLK	51X8275	GARLK	51X8638	GARLK
51X7652	GARLK	51X7909	GARLK	51X8275	GARLK	51X864	GARLK
51X7653	GARLK	51X791	GARLK	51X8278	GARLK	51X8640	GARLK
51X7659	GARLK	51X7915	GARLK	51X8280	GARLK	51X8643	GARLK
51X7661	GARLK	51X792	GARLK	51X8280	GARLK	51X8646	GARLK
51X7668	GARLK	51X7922	GARLK	51X8284	GARLK	51X8652	GARLK
51X7669	GARLK	51X793	GARLK	51X8292	GARLK	51X8657	GARLK
51X7670	GARLK	51X793	GARLK	51X8293	GARLK	51X8662	GARLK
51X7671	GARLK	51X7937	GARLK	51X830	GARLK	51X8663	GARLK
51X7675	GARLK	51X794	GARLK	51X8306	GARLK	51X8668	GARLK
51X7677	GARLK	51X794	GARLK	51X8306	GARLK	51X8676	GARLK
51X7684	GARLK	51X795	GARLK	51X8306	GARLK	51X8678	GARLK
51X7685	GARLK	51X795	GARLK	51X8309	GARLK	51X8679	GARLK
51X7686	GARLK	51X799	GARLK	51X831	GARLK	51X8680	GARLK
51X7687	GARLK	51X7993	GARLK	51X8310	GARLK	51X8681	GARLK
51X7689	GARLK	51X800	GARLK	51X8311	GARLK	51X8682	GARLK
51X7690	GARLK	51X801	GARLK	51X8311	GARLK	51X8688	GARLK
51X7695	GARLK	51X805	GARLK	51X8314	GARLK	51X8683	GARLK
51X770	GARLK	51X806	GARLK	51X8328	GARLK	51X8687	GARLK
51X7700	GARLK	51X807	GARLK	51X8328	GARLK	51X8687	GARLK
51X7717	GARLK	51X8102	GARLK	51X8330	GARLK	51X8696	GARLK
51X7722	GARLK	51X8104	GARLK	51X8331	GARLK	51X8697	GARLK
51X7722	GARLK	51X8111	GARLK	51X8331	GARLK	51X8698	GARLK
51X7723	GARLK	51X8112	GARLK	51X8336	GARLK	51X8700	GARLK
51X7745	GARLK	51X8117	GARLK	51X8396	GARLK	51X8700	GARLK
51X7746	GARLK	51X8120	GARLK	51X8400	GARLK	51X8704	GARLK
				51X8401	GARLK	51X8705	GARLK
				51X8404	GARLK	51X8708	GARLK

! Industrial Size/Type * Minor Width Difference

= The U.S. customer service number is 877-4-TIMKEN. The Canadian customer service numbers are 800-565-4927 (English) and 800-565-0438 (French-Canadian).

Mfr. No.	Name	Zero Duplication or Recommended Industrial	Mfr. No.	Name	Zero Duplication or Recommended Industrial	Mfr. No.	Name	Zero Duplication or Recommended Industrial	Mfr. No.	Name	Zero Duplication or Recommended Industrial
51X871	GARLK	450068 *	51X917	GARLK	473447 *	5203699	CLARK	472015!	521522	C-R	472157!
51X8712	GARLK	415645!	51X920	GARLK	470334!	5203703	CLARK	472020	521522	C-R	472157
51X8712	GARLK	455104	51X920	GARLK	50289	5203902	CLARK	5971	521523	C-R	416556!
51X872	GARLK	450068 *	51X929	GARLK	471984 *	5203903	CLARK	412040	521523	C-R	472157
51X8724	GARLK	473463 *	51X932	GARLK	473313	5204	SEALD	5204	521566	C-R	411245!
51X8726	GARLK	417349 *	51X941	GARLK	50266 *	520402	CONTI	473211!	521568	C-R	411500
51X8728	GARLK	470605! *	51X942	GARLK	50266	520428	CONTI	415458!	52159	GARLK	473204
51X873	GARLK	450068	51X944	GARLK	450269 *	5204620	CLARK	415559	521627	C-R	416404!
51X8731	GARLK	417356!	51X945	GARLK	450269	5204633	CLARK	470354	52164282	IG-RA	416153!
51X8731	GARLK	455188	51X947	GARLK	450285 *	5204691	CLARK	415294!	521683	C-R	417621!
51X8732	GARLK	473239	51X948	GARLK	450285	5204LA	JN-MN	474256	521684	C-R	416404!
51X8734	GARLK	471820 *	51X950	GARLK	471866! *	5204LPD	JN-MN	474256	521686	C-R	417621!
51X8736	GARLK	415072 *	51X9501	GARLK	330385!	5205591	CHRY5	3459	521697	C-R	417210!
51X8738	GARLK	470565! *	51X9515	GARLK	471267! *	52056	GARLK	472397! *	521703	C-R	417366!
51X874	GARLK	50075 = *	51X958	GARLK	473448 *	520571	C-R	8705S	52171	GARLK	470898
51X8744	GARLK	417357	51X959	GARLK	473448 *	5205717	CLARK	473224!	5217B	JN-MN	415483!
51X8744	GARLK	455192!	51X960	GARLK	473448	520585	C-R	8549S	521810	C-R	415871
51X8745	GARLK	416891! *	51X961	GARLK	471984 *	5205865	CLARK	5965	521835	C-R	417158!
51X8747	GARLK	415867 *	51X962	GARLK	471984 *	5205963	CLARK	412040	521836	C-R	417344!
51X875	GARLK	50075 = *	51X963	GARLK	471984	5205B	JN-MN	416404! *	521837	C-R	416921!
51X8752	GARLK	417362! *	51X964	GARLK	473313	5206	SEALD	5206	521841	C-R	416921!
51X8755	GARLK	55223 = *	51X965	GARLK	473313	5206032	CLARK	473440	521842	C-R	417344!
51X8756	GARLK	417020 *	51X966	GARLK	473313	5206279	CLARK	472572!	521844	C-R	416921!
51X8757	GARLK	417494 *	51X977	GARLK	472070 *	5206513	CLARK	415449!	52186	GARLK	472015!
51X8758	GARLK	417020 *	51X980	GARLK	471866!	5206542	CLARK	415449!	521883	ALLCH	450765!
51X876	GARLK	50075 =	51X981	GARLK	471866!	52066	NATL	484058	521915	C-R	415958
51X877	GARLK	50191 *	51X983	GARLK	473449	5206673	CLARK	470954!	521915	C-R	415958!
51X8775	GARLK	417298 *	51X987	GARLK	480281!	52067595	CHRY5	473235	521924	C-R	474276
51X8778	GARLK	416163 *	51X992	GARLK	473450	52067596	CHRY5	5126	521925	CONTI	474260
51X878	GARLK	50191 *	51X993	GARLK	473450	520687	UNIVE	417556	52198	GARLK	472016!
51X8780	GARLK	415991	5200	SEALD	5200	520688	MICH	417556	5220	C-R	13X26X7
51X8780	GARLK	455146!	52006	GARLK	471424!	5207	SEALD	5207	522010	C-R	416345!
51X8787	GARLK	415259! *	52007658	CHRY5	4739 *	520709	CONTI	50199S!	522068	ADAMS	411253!
51X879	GARLK	50191	52007661	CHRY5	4740	520709	CONTI	6863S!	5221	C-R	13X26X7
51X8790	GARLK	473441 *	5201	SEALD	5201	52071	GARLK	473242	52210	GARLK	473243
51X8797	GARLK	413247!	520104	C-R	473179	520737	C-R	472397!	522104	C-R	416404!
51X8819	GARLK	455406! *	52018H	IH	5M867	520777	CONTI	473473	522107	C-R	417621
51X8824	GARLK	417254 *	5202	SEALD	5202	5208359	CLARK	J1122	522108	C-R	417621
51X8825	GARLK	416891! *	520226	NATL	470590	5208A	C-R	5957S	522146	ADAMS	471554!
51X8828	GARLK	455462 *	52023	GARLK	472492!	5208J	OSHKO	417351!	5221LA	JN-MN	450307
51X8830	GARLK	415559 *	520269	FULLE	472164	5209514	CLARK	470605!	522241	CONTI	474255
51X8833	GARLK	416664!	520280	AVCO	240356	521	C-R	5M81	5222798	CHRY5	3816 *
51X8836	GARLK	417171! *	520280	CONTI	240356	5210	DICO	203005!	5222SS	JN-MN	471354! *
51X8845	GARLK	417541 *	520280	HERCU	240356	5210	DICO	205005	522309	WOOL	417205!
51X8846	GARLK	417547 *	520282	GMC	9613S	521012	CONTI	474278!	522433	C-R	5778
51X8847	GARLK	417497 *	5202OSR	JN-MN	474265	521025	C-R	9584	522434	C-R	6808N
51X8848	GARLK	410987! *	5203	SEALD	5203	521026	C-R	415983N!	522467	CONTI	471442!
51X8856	GARLK	417537 *	520317	CLARK	7412S	521050	C-R	6864S	5224B	JN-MN	450593!
51X886	GARLK	50081 *	5203465	CHRY5	3655	521162	C-R	370015A	52257	ALLCH	416865!
51X8864	GARLK	418028	52035	GARLK	472924!	521192	CONTI	471554!	522574	C-R	3604
51X8864	GARLK	455137!	5203590	CHRY5	710056	5211B	JN-MN	470682 *	52260	TROS	471787!
51X8868	GARLK	417605 *	5203603	CLARK	473232!	52120	TROS	40438S	522631	C-R	417487
51X887	GARLK	50081 *	5203611	CLARK	416339	5212535	CHRY5	5604	522678	ADAMS	471341!
51X8870	GARLK	415683 *	5203613	CLARK	417538	5212536	CHRY5	5604	52273	TROS	6547
51X8875	GARLK	50327 *	5203614	CLARK	455566	521262	C-R	7687S	522825	C-R	473473
51X8879	GARLK	450593!	5203618	CLARK	417551	521263	C-R	9178S	522826	C-R	9363S
51X888	GARLK	50081 *	5203620	CLARK	470898	521265	C-R	9195S=	522827	C-R	9161
51X8881	GARLK	416556!	5203645	CLARK	415938	5212B	JN-MN	471736	522849	C-R	416273
51X8881	GARLK	472157	5203648	CLARK	415035!	5212LUP	JN-MN	471736	522887	ADAMS	473464
51X8886	GARLK	470596 *	5203649	CLARK	417546!	521316	C-R	9339S	522887	LETN	410059
51X8887	GARLK	471413	5203651	CLARK	472016!	521317	CONTI	417344!	522887	LETN	470380!
51X8903	GARLK	417191	5203655	CLARK	455290	5213271	VICK	470712!	5228B	JN-MN	55239 = *
51X8903	GARLK	456585	5203661	CLARK	416956	521351	CONTI	417191	522958	ADAMS	472015!
51X8904	GARLK	416107!	5203683	CLARK	470625!	521351	CONTI	455165!	522958	LETN	472015!
51X8904	GARLK	455073	5203686	CLARK	415027	521371	ALLCH	472185!	522959	ADAMS	455655!
51X8907	GARLK	415045! *	5203687	CLARK	471466!	521430	C-R	487945	522959	WABCO	455655!
51X8912	GARLK	417542 *	5203688	CLARK	416624!	521473	C-R	443527=	522D6	DIA	5403
51X8917	GARLK	415090 *	5203689	CLARK	415085!	5214OSR	JN-MN	415035	522D6	WHITE	5403
51X895	GARLK	470086 *	5203692	CLARK	471138!	5214OSR	JN-MN	415035!	5230	C-R	13X27X7
51X897	GARLK	470086	5203693	CLARK	417343!	521507	C-R	416892!	5230	NATL	415937
51X9009	GARLK	471688 *	5203695	CLARK	473237!	521520	C-R	416556!	5230007	GMC	471526!
51X9013	GARLK	352541 *	5203696	CLARK	470954!	521520	C-R	472157	523027R91	IH	204008

! Industrial Size/Type * Minor Width Difference

= The U.S. customer service number is 877-4-TIMKEN. The Canadian customer service numbers are 800-565-4927 (English) and 800-565-0438 (French-Canadian).

NUMERICAL INTERCHANGE

Zero Duplication or Recommended Industrial		Zero Duplication or Recommended Industrial		Zero Duplication or Recommended Industrial		Zero Duplication or Recommended Industrial					
Mfr. No.	Name	Mfr. No.	Name	Mfr. No.	Name	Mfr. No.	Name				
52303	GARLK	471272!	524569	LETN	415995!	52542	C-R	55193 * =	52719	GARLK	415960
523037	C-R	415991	524569	LETN	415995!	52544	C-R	415142 *	5271SS	JN-MN	472258!
523037	C-R	415991!	52457	C-R	417262!	52544	MARI	415142	52721	TROS	5596 =
523047	ADAMS	473214!	52458	C-R	417262!	52544M1	C-R	415142 *	527302	CLARK	417562
523047	LETN	473214	52459	C-R	417262!	52544Q6	C-R	415142 *	5273B	JN-MN	417780 *
523061	ADAMS	472924!	52461	GARLK	416271!	52546	C-R	455194 *	527418	C-R	7214
523061	LETN	472924!	5246314	SPICE	473228	52546M1	C-R	455194 *	52753HA	IH	5957S
523088	ADAMS	415984!	5246315	SPICE	415449!	52547	C-R	472157!	5276	TMTR	473215!
5231	NATL	2297	5246316	SPICE	472258	52547	C-R	472157	527677	C-R	5121
5231	NATL	39807	5246317	SPICE	240319	52548	C-R	472157!	5276LA	JN-MN	471391!
52317	GARLK	471138!	5246318	SPICE	416921!	52548	C-R	472157	52770	GARLK	415303!
523192	ADAMS	471224!	5246319	SPICE	472258	52548	GARLK	470605!	527739R91	IH	473225
5232	NATL	39723	5246320	SPICE	240319	52548M1	C-R	416556!	52782	GARLK	417344!
52329	GARLK	472636!	5246326	SPICE	455402 =	52548M1	C-R	472157	527870	C-R	712625
5233	NATL	39705	5246328	SPICE	472560N	5254SH	JN-MN	472560N *	5278LA	JN-MN	416167!
523325R91	IH	40101S	524634	C-R	204027	5254SS	JN-MN	472560N!	52791	GARLK	417158!
523376	C-R	450285	5247	NATL	417621	52551	GARLK	415449!	52797	MASTE	471570!
5234	NATL	39701	524700	MICH	416666	52557	GARLK	415449!	527H2	WHITE	473367!
52341	GARLK	412920!	524700	UNIVE	416666	5256	SKIL	471264	527H2	WHITE	473367
52348D	IH	412473!	52475	C-R	447060	525606	ALLCH	472311!	528	C-R	5M89
5234LA	JN-MN	471192	52479D	IH	472070	525629	C-R	415937	5280	C-R	13X30X7!
523620	CONTI	471270!	52480	C-R	417262!	52569	GARLK	416273	528010A	HARWA	52X80X10
523646	C-R	2043	524803	C-R	6649	5256B	JN-MN	412920!	5280B	JN-MN	553015 *
523675	C-R	416070	52484	C-R	417358	5257169	GMC	455858	52812	GARLK	416921!
523700	ADAMS	471192	52485	C-R	417358	5257224	GMC	5487	528367	C-R	370021A
523700	LETN	471192	52486	C-R	417358	5257225	GMC	455858	528370	C-R	370019A
5237486	GMC	473467	52487	C-R	417358	52573	HYST	473227!	52852	MASTE	450133
523763	C-R	8750S	52488	C-R	415645! *	5257B	JN-MN	417350!	52852	RELEE	450133
5239SS	JN-MN	471281! *	5248B	JN-MN	473420 *	5258	SPG	5001	528576	ACF	471264
523D6	WHITE	5401	5249	SPG	5071	52583	OLIVE	353132	52869D	IH	415995!
5240542	CHRYSS	3476	52490	C-R	415645!	5259	ROTO	471466!	52869D	IH	415995!
5240692	CHRYSS	25598	52490	C-R	455104	525978	ALLCH	411253!	528712	UNIVE	416476!
524096	ONAN	6489	52491	C-R	415645!	525F48	C-R	416556!	528713	MICH	416476!
5240B	JN-MN	55441 * =	52491	C-R	455104	525F48	C-R	472157	5289	ROTO	450415
5241	DIVCO	473179	52494	C-R	415645!	525H	CHRYSS	473426	528920	C-R	471224!
524109	CONTI	471692!	52494	C-R	455104	525H	DURA	473426	528942	C-R	370065A %
524207	C-R	413246	52495	C-R	415645!	525H48-T8	C-R	472157 *	528942	C-R	376590A >
52422	GARLK	470565!	52496	C-R	415645!	5260939	CLARK	415036	528955	C-R	9316
52424	C-R	415294!	52496	C-R	455104	5260F	GOODM	415294!	52896HA	IH	5871
524314	C-R	455471	524965	C-R	5401	52617	GARLK	413248	52896HAX	IH	5871
524316	C-R	415559	524966	C-R	5487	526199	ALLCH	204008	52896HX	IH	5871
524322	C-R	416670	52497	C-R	415645!	52623	HYST	40337S	528977	C-R	470954!
524324	C-R	415150!	52499	C-R	415645!	52625TA	TRSCM	417262!	529023	ALLCH	412473!
524326	C-R	455189	52499	C-R	455104	5263	SPG	5422	529029	ALLCH	472354!
524328	C-R	417366!	524B41608	TROS	415196!	52632	C-R	417359	529046	ALLCH	471737
524330	C-R	455191	524D6	DIA	5405	52632	GARLK	415483	529057	ALLCH	470954!
52434	C-R	415394 *	524D6	WHITE	5405	52633	C-R	417359	529192	C-R	472015
52434	GARLK	413246	524E44	C-R	415142	52633	WAYNE	415041	5291LA	JN-MN	416102
52436008.5	TROS	370008A	524H326	C-R	455189 *	52634	C-R	417359	5291LUP	JN-MN	416102
52438	C-R	455328 *	524N316-T8	C-R	6612S *	52635	C-R	417359	529266	C-R	3385
5244	C-R	417357	5250	C-R	13X28X7!	5264	SPG	5424	5292722	CLARK	415559
5244	C-R	455192!	52500	C-R	415645!	52644	GARLK	415458!	5292736	CLARK	472020
52440008	TROS	370015A	525085	C-R	5131	52648	C-R	417549!	5292SS	JN-MN	471539!
524416	C-R	327303!	5252053	CHRYSS	223253	526497	C-R	471271!	52931D	IH	450048
52441608	TROS	415196!	5252499	CHRYSS	8660S	526499	C-R	417484	52940S	TROS	473367!
52442	C-R	55193 * =	525252	C-R	473367 *	5264G	GOODM	416229	52940S	TROS	473367
52444	C-R	415142 *	525252	C-R	473367	52650	C-R	417549!	529443R91	IH	471442!
52444Q6	C-R	415142 *	525252	C-R	473367	52656	GARLK	417343!	529466R91	IH	417698
52445	C-R	417262!	525314	C-R	455471	52658	C-R	370069A	529484	WHITE	417344!
52445	C-R	417262 *	525316	C-R	415559	5265B	JN-MN	415021 *	529485	WHITE	J1119
52446	C-R	455194 *	525324	C-R	415150! *	52660	C-R	370069A	5294B	JN-MN	417520 *
52446	GARLK	413247!	525324	MINMA	415150!	52664	C-R	370069A	5295B	JN-MN	416892! *
52447	C-R	417262 =	525324M1	C-R	415150! *	52675TA	TRSCM	417549!	529684R1	IH	472129 =
52447M1	C-R	472157	525326	C-R	455189 *	52683	GARLK	416664!	529684R91	IH	472129 =
52447M1	C-R	472157!	525328	C-R	417366! *	52689	GARLK	415984!	5296B	JN-MN	417273
52448	C-R	472157!	525328M1	C-R	417366! *	5269	ROTO	473464	5297073	CLARK	417496
52448	C-R	472157	525330	C-R	455191 *	5269	ROTO	473464!	52975D	IH	474265
52448M1	C-R	472157!	525330M1	C-R	455191 *	52698	GARLK	415984!	5297SH	JN-MN	417267
52448M1	C-R	472157	52534	C-R	415394 *	5269LPD	JN-MN	471744! *	5298SS	JN-MN	470712!
524496	C-R	2146	52536	GARLK	471271!	5270SS	JN-MN	471103!	52D3	WHITE	471442!
52450	C-R	417262!	52538	C-R	455328 *	52710	GARLK	417316!	52X17925A	JOHND	240435
52451	C-R	417262!	5254	C-R	13X28X7!	527176	C-R	370023A	52X65X9SC	TRSCM	52X65X9!

! Industrial Size/Type * Minor Width Difference > Hub Mount % Spindle Mount
 = The U.S. customer service number is 877-4-TIMKEN. The Canadian customer service numbers are 800-565-4927 (English) and 800-565-0438 (French-Canadian).

OIL SEALS

52X65X9TC – 53748M1

Mfr. No.	Name	Zero Duplication or Recommended Industrial	Mfr. No.	Name	Zero Duplication or Recommended Industrial	Mfr. No.	Name	Zero Duplication or Recommended Industrial	Mfr. No.	Name	Zero Duplication or Recommended Industrial
52X65X9TC	TRSCM	52X65X9!	530475	ALLCH	472193!	53236	GARLK	417181!	53502S	TROS	473179
52X68X8SC	TRSCM	52X68X8!	530480	FRUEH	370065A	53236009	TROS	417506	53503	TROS	472164!
52X68X8TC	TRSCM	52X68X8!	530480	FRUEH	376590A	53240009	TROS	415036	53506S	CATER	J1121
52X69X10SC	TRSCM	52X69X10!	530488	CHRYS	473464!	53240310	TROS	417505	5351	UNIVE	370021A
52X69X10TC	TRSCM	52X69X10!	530488	CHRYS	473464	53240409	TROS	455037	5351142	AMC	472635
52X70X8SC	TRSCM	52X70X8!	530489	CHRYS	411253!	532404X09	TROS	417506	535121	ALLCH	412871!
52X70X8TC	TRSCM	52X70X8!	530507	C-R	6283S	53241010	TROS	9128S	53510S	JN-MN	476470
52X72X8SC	TRSCM	52X72X8!	530520	CONTI	330385	53241609	TROS	416891!	5352	C-R	481534
52X72X8TC	TRSCM	52X72X8!	530573	AVANT	40769S	53243208	TROS	416888!	535208R91	IH	471413=
52X75X12SC	TRSCM	52X75X12!	53058	IPS	1012	53243209	TROS	416888!	535208R92	IH	471413!
52X75X12TC	TRSCM	52X75X12!	53058	IPS	1012N	53243210	TROS	416888!	535209R91	IH	471424!
52X80X10	SIMRT	52X80X10!	53058	IPS	45X62X8!	532467	CONTI	471341!	535209R92	IH	471424!
52X80X10SC	TRSCM	52X80X10!	5305SS	JN-MN	471529	532471	CONTI	471529	5352171	AMC	442380
52X80X10TC	TRSCM	52X80X10!	530607	C-R	200855	532489	CONTI	476838!	5352609	AMC	471271!
52X82X8SC	TRSCM	52X82X8!	5307SS	JN-MN	471652	532496	C-R	3909	5352786	AMC	417480!
52X82X8TC	TRSCM	52X82X8!	530806R91	IH	472018=	5324SH	JN-MN	40208*	535320	C-R	415832
52X85X8AN	ISP	52X85X7*	530859	CONTI	416956	5324SS	JN-MN	472324!	535330	C-R	415263
53	UNIVE	471553!	530875	C-R	8998	5325	SPG	6077	53548	C-R	415196!
530000	GEHL	472439	53088	IPS	225230	532506	CONTI	471647	535554	CONTI	471692!
53000237	CHRYS	4019N	53088	IPS	52X72X8!	532508	CONTI	471571	53562	TROS	2551
53000239	AMC	470547	53089	IPS	225420	532509	C-R	370003A	5356675	AMC	442874
530003	GEHL	473016!	53089	IPS	54X72X10!	532509	C-R	380003A	535667R91	IH	477055
53000476	CHRYS	473212!	53091	IPS	225110	532510	CONTI	471551!	535674	FRUEH	455260
530006	GEHL	471138!	53091	IPS	51X65X7!	532534	CONTI	474253!	53568	GARLK	416332!
530008	GEHL	471276	53094	IPS	224820	53262	TROS	1091=	5358	SPG	5095
530009	GEHL	291099	53094	IPS	48X62X8!	532663	WHITE	455022	535806	GMC	471193
530012	GEHL	471760	53096	IPS	226285	532664	WHITE	418028	5358980	AMC	482267
530013	GEHL	240319	53096	IPS	62X85X8!	532664	WHITE	455137!	5359457	AMC	3173
530014	GEHL	481163!	530969R91	IH	473367	532665	COC	416339	5359457	AMC	710928
530016	GEHL	473225!	53102	IPS	224045	532665	COC	455031!	53596HB	IH	412871!
530017	GEHL	472924!	53102	IPS	40X62X12!	532665	WHITE	416339	5359703	AMC	471271!
530019	GEHL	473454	53102	TROS	7934S	532665	WHITE	455031!	53601	GARLK	417355!
530021	GEHL	474278!	53102S	TROS	7934S	53275	GARLK	417353!	53613	GARLK	416125!
530022	GEHL	471272!	53104	GARLK	417621!	5329	SPG	6465	536144R91	IH	413246
5300241	EATON	J1126	53106	IPS	1174	532957	C-R	340872	5362	SPG	5201
53002642	AMC	473452	53106	IPS	38X52X8.5!	532990	CONTI	472354!	536282	ALLCH	473231!
5300331	EATON	J1136	531094	C-R	416444	532920A	MACK	5645\$	5363	SPG	5200
5300381	EATON	415725!	531098	C-R	470596	5331	SPG	473229	53634D	IH	473467!
530038100	EATON	415725!	53114	IPS	224835	533161	ONAN	6403=	5363713	GMC	470605!
53005629	CHRYS	713103	53114	IPS	48X68X10!	53320	TROS	415060	53640S	TROS	6636S
53005630	CHRYS	713103	53119	IPS	224045	53320	TROS	455060	53646	GARLK	416041
53005837	CHRYS	328039	53119	IPS	40X62X12!	533225	CONTI	473441	53646	HYST	415725!
530060	CHRYS	473471	53120	IPS	225010	533226	CONTI	417474	5365082	AMC	3945
53009	GARLK	417349!	53120	IPS	50X65X8!	53326D	IH	472016	5365G	GOODM	417298
530102R91	IH	416664!	531240	C-R	474274	5333	C-R	471530*	53660	TROS	472164!
53011	IPS	1012	531284	C-R	715101	53338DA	IH	210914	53667	GARLK	417205!
53011	IPS	1012N	53135	C-R	135X160X13	5334	C-R	471530*	53675TA	TRSCM	417554!
53011	IPS	45X62X8!	531378	CONTI	471526!	53346	GARLK	416294!	536778	CHRYS	415960!
53013D	IH	415379	531379	CONTI	450188	5335	LAU	471570!	536810A	HARWA	53X68X10
530165	CHRYS	415449!	5313OSR	JN-MN	416332!	53358DA	IH	210945	53688	C-R	417551
5301691	EATON	471255!	53140	C-R	135X160X13	5336	SPG	473179	53690	C-R	417551
53018	GARLK	417350!	53143	GARLK	417171!	53364	GARLK	412473!	53692	C-R	455576!
53020488	CHRYS	713103	531488	C-R	450474	53366	NATL	472409	53693	C-R	455576!
53021103	CHRYS	328039	5314B	JN-MN	416167!	53370	C-R	417554!	53695	C-R	455576!
53024	IPS	1174	53150	C-R	417550	53379	GARLK	417191	5369970047	DETRO	100294
53024	IPS	38X52X8.5!	53151	C-R	417550	5338	C-R	471530	536D4	WHITE	415001!
53027	IPS	1973	53160	TROS	1070=	5338	NATL	5095	5370	SPG	5370
53027	IPS	48X65X10!	531690569	CHALL	415995!	5339	C-R	471530	53701	C-R	415938*
530289	CONTI	451583!	531756	C-R	710043	53394	GARLK	417354!	53715V	IH	415458
530307	C-R	712375	531813	CHRYS	415988	53395HX	IH	5957S	5371B	JN-MN	471652*
530309	C-R	712937	5318LA	JN-MN	470059	5340B	JN-MN	455290*	53721	GARLK	417211!
5303144	GMC	471466!	5318LA	JN-MN	470380!	5344R	JN-MN	416071	53732	MASTE	417172
53032	ALLCH	415960!	5319970147	DETRO	917117	5345B	JN-MN	417350!	53733	GARLK	416345!
530329D	SPG	712132	5320B	JN-MN	471391!	53460	GARLK	416624!	537330	C-R	415263*
53033	GARLK	415995!	532101	BENDI	350435	53461	HYST	472164!	537330M1	C-R	415263*
53033	GARLK	415995!	5321B	JN-MN	472319*	5347	C-R	471530	5373B	JN-MN	415035
5303625	CLARK	412473!	53220	TROS	416297	534798	CONTI	471539!	5373B	JN-MN	415035!
5303635	CLARK	471424!	53221	TROS	415960	534938	CONTI	450588!	5374	C-R	416130!*
5303655	CLARK	455290	53222	TROS	415857!	534939	CATER	J1117	53740	C-R	415938
530370	FRUEH	370065A	5322B	JN-MN	416167!	534956	CONTI	471538!	53745	GARLK	415697!
530370	FRUEH	376590A	53232009	TROS	455612=	534957	CONTI	471538!	53748	C-R	415196!*
53042	GARLK	417351!	53234409	TROS	417502	53499	GARLK	417196!	53748M1	C-R	415196!*

! Industrial Size/Type * Minor Width Difference \$F-M Number Is Part Of A Kit
 = The U.S. customer service number is 877-4-TIMKEN. The Canadian customer service numbers are 800-565-4927 (English) and 800-565-0438 (French-Canadian).

NUMERICAL INTERCHANGE

Zero Duplication or Recommended Industrial		Zero Duplication or Recommended Industrial		Zero Duplication or Recommended Industrial		Zero Duplication or Recommended Industrial					
Mfr. No.	Name	Mfr. No.	Name	Mfr. No.	Name	Mfr. No.	Name				
5374B	JN-MN	417511	53X2212	GARLK	55141*	53X2326	GARLK	455165!	53X2425	GARLK	417355!
5375R	JN-MN	472492!	53X2222	GARLK	455022*	53X2327	GARLK	417354!*	53X2426	GARLK	416125!
53763	GARLK	417366!	53X2225	GARLK	417621!	53X2328	GARLK	417354!*	53X2427	GARLK	416125!*
53763	HYST	6872S	53X2226	GARLK	417621!	53X2329	GARLK	417354!	53X2428	GARLK	416125!*
53764	HYST	6481S	53X2227	GARLK	417621!	53X2330	GARLK	416321	53X2432	GARLK	417499
537696	ALLCH	350936	53X2228	GARLK	416288!	53X2336	GARLK	415025	53X2435	GARLK	415832
5377	FULLE	415995!	53X2229	GARLK	416288!*	53X2337	GARLK	415025*	53X2441	GARLK	417501*
53770D	IH	415995!	53X2230	GARLK	416288!*	53X2338	GARLK	415025*	53X2442	GARLK	417501*
53770D	IH	415995!	53X2231	GARLK	417171!	53X2342	GARLK	416327	53X2443	GARLK	417501
53775	C-R	417554!	53X2232	GARLK	417171!*	53X2345	GARLK	417492*	53X2447	GARLK	55030*
53790	C-R	3292	53X2233	GARLK	417171!	53X2346	GARLK	417492*	53X2448	GARLK	55030*
53799	C-R	416112	53X2234	GARLK	417172*	53X2347	GARLK	417492	53X2449	GARLK	55030*
53806D	IH	415437	53X2235	GARLK	417172*	53X2348	GARLK	417493*	53X2450	GARLK	55646=
5381-26-157	VILA	710150	53X2236	GARLK	417172*	53X2349	GARLK	417493*	53X2453	GARLK	416670*
53825	HYST	410308!	53X2237	GARLK	416297*	53X2350	GARLK	417493	53X2454	GARLK	416670*
53825	HYST	473468	53X2246	GARLK	415021	53X2354	GARLK	417494*	53X2455	GARLK	416670*
538283	GE	471466	53X2247	GARLK	415021*	53X2355	GARLK	417494*	53X2459	GARLK	417502*
5384	SPG	7154S	53X2248	GARLK	415021*	53X2356	GARLK	417494	53X2462	GARLK	415379
5385	SPG	6649	53X2249	GARLK	456105*	53X2357	GARLK	455026*	53X2462	GARLK	415379!
538555-55	C-R	712000	53X2250	GARLK	456105*	53X2358	GARLK	455026*	53X2463	GARLK	415379
5386	SPG	223035	53X2251	GARLK	456105	53X2359	GARLK	455026*	53X2464	GARLK	415379!
5386LA	JN-MN	55301S*	53X2252	GARLK	417490*	53X2363	GARLK	455471*	53X2464	GARLK	415379
53872D	IH	410708	53X2253	GARLK	417490*	53X2364	GARLK	455471*	53X2465	GARLK	417205!
53888D	IH	472924!	53X2254	GARLK	417490	53X2365	GARLK	455471*	53X2466	GARLK	417205!*
538948	CONTI	471442!	53X2255	GARLK	455336*	53X2366	GARLK	415991	53X2467	GARLK	417205!
538983R1	IH	2093H=	53X2256	GARLK	455336*	53X2366	GARLK	455146!	53X2468	GARLK	416339
5389LA	JN-MN	471413!*	53X2257	GARLK	455336*	53X2367	GARLK	415991	53X2469	GARLK	416339
5389LUP	JN-MN	471413!	53X2260	GARLK	6358	53X2367	GARLK	455146!	53X2469	GARLK	455031!
538W330	C-R	6270	53X2261	GARLK	417490	53X2368	GARLK	415991	53X2470	GARLK	416339*
53902	HYST	455858	53X2267	GARLK	455022*	53X2368	GARLK	455146!	53X2474	GARLK	415150!*
53912	HYST	473459	53X2268	GARLK	455022*	53X2369	GARLK	417196!*	53X2475	GARLK	415150!*
539161	GMC	291295	53X2269	GARLK	455022*	53X2370	GARLK	417196!*	53X2476	GARLK	415150!*
539226	CONTI	471341!	53X2270	GARLK	476470	53X2371	GARLK	417196!	53X2477	GARLK	416127
53925	HYST	470898	53X2271	GARLK	476470	53X2372	GARLK	415437	53X2480	GARLK	417503*
539421	GMC	471193	53X2272	GARLK	476470	53X2373	GARLK	415437	53X2484	GARLK	417504*
5394B	JN-MN	473215!	53X2273	GARLK	417181!	53X2373	GARLK	415437!	53X2485	GARLK	417504
53967D	IH	473215!	53X2274	GARLK	417181!*	53X2374	GARLK	415437	53X2486	GARLK	455032!*
53968D	IH	473228	53X2275	GARLK	417181!	53X2374	GARLK	415437!	53X2487	GARLK	455032!*
5399	C-R	471281	53X2276	GARLK	418028	53X2375	GARLK	417198*	53X2488	GARLK	455032!*
53H027	SHOV	472397!	53X2277	GARLK	418028	53X2376	GARLK	417198*	53X2492	GARLK	455189*
53H039	SHOV	474276!	53X2277	GARLK	455137!	53X2377	GARLK	417198	53X2493	GARLK	455189*
53R012	SHOV	415001!	53X2278	GARLK	418028	53X2378	GARLK	415027	53X2494	GARLK	455189*
53W005	SHOV	415007	53X2278	GARLK	455137!	53X2379	GARLK	415027!	53X2501	GARLK	417211!
53X2174	GARLK	415995!	53X2279	GARLK	417353!	53X2379	GARLK	415027	53X2502	GARLK	417211!*
53X2174	GARLK	415995!	53X2280	GARLK	417353!*	53X2380	GARLK	415027	53X2503	GARLK	417211!
53X2177	GARLK	417351!	53X2281	GARLK	417353!*	53X2381	GARLK	417495*	53X2504	GARLK	416345!
53X2178	GARLK	417351!	53X2282	GARLK	456305	53X2382	GARLK	417495*	53X2505	GARLK	416345!
53X2180	GARLK	417487!	53X2284	GARLK	416865!	53X2383	GARLK	417495	53X2505	GARLK	455033
53X2180	GARLK	417487	53X2288	GARLK	415023	53X2384	GARLK	415559*	53X2506	GARLK	416345!
53X2181	GARLK	417487	53X2289	GARLK	415023	53X2385	GARLK	415559*	53X2506	GARLK	455033
53X2182	GARLK	417487	53X2290	GARLK	415023	53X2386	GARLK	415559*	53X2507	GARLK	415697!
53X2183	GARLK	417488!	53X2294	GARLK	455328*	53X2390	GARLK	417496*	53X2507	GARLK	455547
53X2184	GARLK	417488!*	53X2295	GARLK	455328*	53X2391	GARLK	417496	53X2508	GARLK	415697!
53X2185	GARLK	417488!	53X2296	GARLK	455328*	53X2392	GARLK	417496*	53X2508	GARLK	455547
53X2186	GARLK	415088	53X2298	GARLK	417491*	53X2393	GARLK	415711*	53X2509	GARLK	415697!
53X2187	GARLK	415088	53X2299	GARLK	417491	53X2394	GARLK	415711*	53X2509	GARLK	455547
53X2187	GARLK	415088!	53X2300	GARLK	415085!	53X2395	GARLK	415711	53X2510	GARLK	417366!
53X2188	GARLK	455019!	53X2300	GARLK	456648	53X2396	GARLK	417497*	53X2511	GARLK	417366!*
53X2189	GARLK	55548	53X2306	GARLK	416313	53X2397	GARLK	417497*	53X2512	GARLK	417366!*
53X2192	GARLK	416370!	53X2307	GARLK	416313*	53X2398	GARLK	417497	53X2513	GARLK	415958
53X2195	GARLK	455820*	53X2308	GARLK	416313	53X2399	GARLK	417498*	53X2513	GARLK	415958!
53X2198	GARLK	455019!*	53X2312	GARLK	455024	53X2400	GARLK	417498*	53X2516	GARLK	417505
53X2199	GARLK	455019!*	53X2313	GARLK	455024*	53X2401	GARLK	417498	53X2519	GARLK	415034!
53X2200	GARLK	455019!*	53X2314	GARLK	455024*	53X2402	GARLK	55028*	53X2520	GARLK	415034!
53X2201	GARLK	55155* =	53X2321	GARLK	412473!	53X2417	GARLK	416332!	53X2521	GARLK	476470!
53X2202	GARLK	55155* =	53X2322	GARLK	412473!	53X2418	GARLK	416332!	53X2521	GARLK	476470
53X2203	GARLK	55155* =	53X2323	GARLK	412473!	53X2419	GARLK	416332!	53X2525	GARLK	455191*
53X2204	GARLK	455015*	53X2324	GARLK	417191	53X2420	GARLK	415937!	53X2527	GARLK	455191*
53X2205	GARLK	455015*	53X2324	GARLK	455165!	53X2421	GARLK	415937!	53X2528	GARLK	415263
53X2206	GARLK	455015	53X2325	GARLK	417191	53X2422	GARLK	415937!	53X2529	GARLK	415263*
53X2210	GARLK	55141*	53X2325	GARLK	455165!	53X2423	GARLK	417355!	53X2530	GARLK	415263*
53X2211	GARLK	55141*	53X2326	GARLK	417191	53X2424	GARLK	417355!*	53X2531	GARLK	417506*

! Industrial Size/Type * Minor Width Difference

= The U.S. customer service number is 877-4-TIMKEN. The Canadian customer service numbers are 800-565-4927 (English) and 800-565-0438 (French-Canadian).

Mfr. No.	Name	Zero Duplication or Recommended Industrial	Mfr. No.	Name	Zero Duplication or Recommended Industrial	Mfr. No.	Name	Zero Duplication or Recommended Industrial	Mfr. No.	Name	Zero Duplication or Recommended Industrial
53X2532	GARLK	417506	53X2654	GARLK	417516	53X2757	GARLK	416153!	53X2874	GARLK	416167!
53X2533	GARLK	417506*	53X2655	GARLK	417516	53X2758	GARLK	416153!	53X2875	GARLK	416167!
53X2537	GARLK	415035	53X2656	GARLK	417516*	53X2759	GARLK	416892!	53X2876	GARLK	417267*
53X2538	GARLK	415035	53X2657	GARLK	472157!	53X2760	GARLK	416892!	53X2877	GARLK	417267*
53X2538	GARLK	415035!	53X2657	GARLK	472157	53X2761	GARLK	416892!*	53X2878	GARLK	417267
53X2539	GARLK	415035	53X2658	GARLK	472157!	53X2762	GARLK	417531	53X2879	GARLK	417269!
53X2540	GARLK	417356!	53X2658	GARLK	472157	53X2765	GARLK	416154!*	53X2880	GARLK	417269!
53X2540	GARLK	455188	53X2659	GARLK	416556!	53X2766	GARLK	416154!*	53X2881	GARLK	417269!
53X2541	GARLK	417356!	53X2659	GARLK	472157	53X2767	GARLK	416154!	53X2884	GARLK	417539!*
53X2541	GARLK	455188	53X2660	GARLK	415196!	53X2768	GARLK	416070	53X2900	GARLK	417273*
53X2542	GARLK	417356!	53X2661	GARLK	415196!*	53X2769	GARLK	416070	53X2901	GARLK	417273
53X2542	GARLK	455188	53X2662	GARLK	415196!*	53X2770	GARLK	416070*	53X2902	GARLK	417273*
53X2543	GARLK	417357	53X2663	GARLK	416891!	53X2771	GARLK	415351!	53X2903	GARLK	417540*
53X2543	GARLK	455192!	53X2664	GARLK	416891!	53X2772	GARLK	415351!	53X2904	GARLK	417540*
53X2544	GARLK	417357	53X2665	GARLK	416891!*	53X2773	GARLK	415351!	53X2905	GARLK	417540
53X2544	GARLK	455192!	53X2666	GARLK	416135!	53X2774	GARLK	417532*	53X2915	GARLK	415725!
53X2545	GARLK	417357	53X2669	GARLK	415045!*	53X2775	GARLK	417532*	53X2916	GARLK	415725!*
53X2546	GARLK	416130!	53X2670	GARLK	415045!	53X2776	GARLK	417532	53X2917	GARLK	415725!
53X2547	GARLK	416130!*	53X2671	GARLK	415045!*	53X2780	GARLK	417533*	53X2918	GARLK	417584*
53X2548	GARLK	416130!*	53X2675	GARLK	416137*	53X2781	GARLK	417533	53X2921	GARLK	416865!
53X2549	GARLK	415036*	53X2676	GARLK	416137*	53X2782	GARLK	417533*	53X2922	GARLK	416865!
53X2550	GARLK	415036	53X2677	GARLK	416137	53X2786	GARLK	417534*	53X2923	GARLK	416865!
53X2551	GARLK	415036*	53X2678	GARLK	417518*	53X2787	GARLK	417534*	53X2924	GARLK	417278
53X2552	GARLK	417507	53X2679	GARLK	417518*	53X2788	GARLK	417534	53X2926	GARLK	417278
53X2552	GARLK	417507!	53X2680	GARLK	417518	53X2792	GARLK	457585*	53X2927	GARLK	417541
53X2553	GARLK	417507	53X2681	GARLK	415058*	53X2798	GARLK	416156	53X2928	GARLK	417541*
53X2553	GARLK	417507!	53X2682	GARLK	415058	53X2799	GARLK	416156	53X2929	GARLK	417541
53X2554	GARLK	417507	53X2683	GARLK	415058*	53X2801	GARLK	415371	53X2933	GARLK	417542*
53X2554	GARLK	417507!	53X2684	GARLK	456141	53X2802	GARLK	415371	53X2934	GARLK	417542*
53X2555	GARLK	415041*	53X2687	GARLK	455197N*	53X2803	GARLK	415371*	53X2935	GARLK	417542
53X2556	GARLK	415041	53X2688	GARLK	455197N	53X2804	GARLK	455685*	53X2936	GARLK	417543*
53X2557	GARLK	415041*	53X2689	GARLK	455197N*	53X2805	GARLK	455685*	53X2937	GARLK	417543*
53X2561	GARLK	417509*	53X2693	GARLK	417520*	53X2806	GARLK	455685	53X2938	GARLK	417543
53X2562	GARLK	417509*	53X2694	GARLK	417520	53X2807	GARLK	416158*	53X2941	GARLK	417544
53X2563	GARLK	417509	53X2695	GARLK	417520*	53X2808	GARLK	416158*	53X2951	GARLK	417545*
53X2567	GARLK	417223*	53X2699	GARLK	416144*	53X2809	GARLK	416158	53X2960	GARLK	455290*
53X2568	GARLK	417223	53X2700	GARLK	416144*	53X2813	GARLK	415064*	53X2961	GARLK	455290*
53X2569	GARLK	417223*	53X2701	GARLK	416144	53X2814	GARLK	415064	53X2962	GARLK	455290
53X2573	GARLK	55193* =	53X2705	GARLK	417238	53X2815	GARLK	415064*	53X2990	GARLK	416557
53X2574	GARLK	55193* =	53X2708	GARLK	415425	53X2819	GARLK	415284*	53X2992	GARLK	416557
53X2575	GARLK	55193* =	53X2711	GARLK	416380!	53X2820	GARLK	415284	53X2993	GARLK	417258*
53X2579	GARLK	455037*	53X2712	GARLK	415196!	53X2821	GARLK	415284*	53X2996	GARLK	417546!*
53X2580	GARLK	455037	53X2713	GARLK	415196!*	53X2825	GARLK	417535	53X2997	GARLK	417546!*
53X2581	GARLK	455037*	53X2717	GARLK	415047*	53X2826	GARLK	417535*	53X2998	GARLK	417546!
53X2600	GARLK	417511	53X2718	GARLK	415047	53X2827	GARLK	417535	53X2999	GARLK	417547*
53X2601	GARLK	417511*	53X2719	GARLK	415047*	53X2831	GARLK	417536	53X3000	GARLK	417547*
53X2602	GARLK	417511	53X2723	GARLK	416149*	53X2832	GARLK	417536	53X3001	GARLK	417547
53X2603	GARLK	415142*	53X2724	GARLK	416149*	53X2833	GARLK	417536*	53X3030	GARLK	417548
53X2604	GARLK	415142*	53X2725	GARLK	416149	53X2834	GARLK	417537	53X3032	GARLK	417548*
53X2605	GARLK	415142*	53X2726	GARLK	417522	53X2835	GARLK	417537*	53X3033	GARLK	417548*
53X2609	GARLK	417512*	53X2729	GARLK	415060*	53X2836	GARLK	417537	53X3034	GARLK	417548
53X2610	GARLK	417512	53X2729	GARLK	455060*	53X2837	GARLK	415138!*	53X3059	GARLK	417262!
53X2611	GARLK	417512*	53X2730	GARLK	415060	53X2838	GARLK	415138!	53X3060	GARLK	417262!
53X2615	GARLK	415043*	53X2730	GARLK	455060	53X2839	GARLK	415138!*	53X3061	GARLK	417262!
53X2616	GARLK	415043	53X2731	GARLK	415060*	53X2840	GARLK	417538*	53X3062	GARLK	417358
53X2617	GARLK	415043*	53X2731	GARLK	455060*	53X2842	GARLK	417538	53X3065	GARLK	415645!
53X2621	GARLK	455203*	53X2732	GARLK	55199* =	53X2843	GARLK	417247!	53X3065	GARLK	455104
53X2622	GARLK	455203*	53X2733	GARLK	55199* =	53X2844	GARLK	417247!*	53X3066	GARLK	415645!
53X2623	GARLK	455203	53X2734	GARLK	55199* =	53X2845	GARLK	417247!	53X3066	GARLK	455104
53X2627	GARLK	455056*	53X2738	GARLK	417525*	53X2846	GARLK	417252*	53X3067	GARLK	415645!
53X2628	GARLK	455056	53X2739	GARLK	417525	53X2847	GARLK	417252*	53X3067	GARLK	455104
53X2629	GARLK	455056*	53X2740	GARLK	417525*	53X2848	GARLK	417252	53X3068	GARLK	417359
53X2630	GARLK	455194*	53X2744	GARLK	417526*	53X2849	GARLK	415066*	53X3070	GARLK	417359
53X2631	GARLK	455194*	53X2745	GARLK	417526*	53X2850	GARLK	415066	53X3071	GARLK	417549!*
53X2632	GARLK	455194*	53X2746	GARLK	417526	53X2851	GARLK	415066*	53X3095	GARLK	417550
53X2636	GARLK	417513*	53X2750	GARLK	415351!*	53X2858	GARLK	416163*	53X3096	GARLK	417550
53X2637	GARLK	417513	53X2751	GARLK	415351!	53X2859	GARLK	416163*	53X3097	GARLK	417550
53X2638	GARLK	417513*	53X2752	GARLK	415351!*	53X2860	GARLK	416163	53X3122	GARLK	417551
53X2642	GARLK	417514*	53X2753	GARLK	416888!	53X2864	GARLK	456890	53X3123	GARLK	417551*
53X2643	GARLK	417514	53X2754	GARLK	416888!	53X2865	GARLK	456890	53X3124	GARLK	417551
53X2644	GARLK	417514*	53X2755	GARLK	416888!	53X2866	GARLK	456890	53X3125	GARLK	455576!
53X2648	GARLK	417515*	53X2756	GARLK	416153!	53X2873	GARLK	416167!	53X3126	GARLK	455576!*

! Industrial Size/Type * Minor Width Difference

= The U.S. customer service number is 877-4-TIMKEN. The Canadian customer service numbers are 800-565-4927 (English) and 800-565-0438 (French-Canadian).

Zero Duplication or Recommended Industrial		Zero Duplication or Recommended Industrial		Zero Duplication or Recommended Industrial		Zero Duplication or Recommended Industrial		
Mfr. No.	Name	Mfr. No.	Name	Mfr. No.	Name	Mfr. No.	Name	
53X3127	GARLK	455576!	53X3394	GARLK	455480!*	53X3597	GARLK	417600
53X3128	GARLK	415938*	53X3395	GARLK	455480!	53X3600	GARLK	417601*
53X3129	GARLK	415938*	53X3396	GARLK	455480!*	53X3601	GARLK	417601*
53X3130	GARLK	415938	53X3397	GARLK	455480!*	53X3602	GARLK	417602!*
53X3131	GARLK	417554!*	53X3398	GARLK	55316* =	53X3607	GARLK	415124*
53X3132	GARLK	417554!*	53X3399	GARLK	55316* =	53X3609	GARLK	417022*
53X3133	GARLK	417554!*	53X3400	GARLK	55316* =	53X3610	GARLK	417604*
53X3155	GARLK	55357*	53X3401	GARLK	55316 =	53X3611	GARLK	417567*
53X3156	GARLK	55357*	53X3402	GARLK	417562*	53X3613	GARLK	415128*
53X3157	GARLK	55357	53X3403	GARLK	417562*	53X3614	GARLK	455129*
53X3176	GARLK	417254*	53X3404	GARLK	417562*	53X3615	GARLK	55301S
53X3177	GARLK	417254*	53X3405	GARLK	417562*	53X3617	GARLK	455476
53X3178	GARLK	417254	53X3406	GARLK	55692* =	53X3618	GARLK	456462
53X3179	GARLK	417360	53X3407	GARLK	55692* =	53X3619	GARLK	455462
53X3180	GARLK	417360	53X3408	GARLK	55692 =	53X3623	GARLK	415090
53X3181	GARLK	417360	53X3417	GARLK	55242*	53X3624	GARLK	415090*
53X3182	GARLK	416107!*	53X3418	GARLK	55242*	53X3627	GARLK	55218 =
53X3183	GARLK	416107!*	53X3419	GARLK	55242*	53X3633	GARLK	415219*
53X3183	GARLK	455073	53X3420	GARLK	55242	53X3634	GARLK	415871
53X3184	GARLK	416107!*	53X3421	GARLK	417563*	53X3646	GARLK	417606*
53X3184	GARLK	455073	53X3422	GARLK	417563*	53X3648	GARLK	417606
53X3185	GARLK	417361	53X3423	GARLK	417563*	53X3649	GARLK	55222 =
53X3190	GARLK	415610	53X3424	GARLK	417563	53X3652	GARLK	55239 =
53X3200	GARLK	456192	53X3426	GARLK	415294!	53X3654	GARLK	55078S
53X3215	GARLK	55358 =	53X3427	GARLK	415294!	53X3655	GARLK	55223 =
53X3216	CATER	5634	53X3434	GARLK	416229*	53X3656	GARLK	55224 =
53X3216	GARLK	55358 =	53X3435	GARLK	416229*	53X3660	GARLK	417605
53X3217	GARLK	55358 =	53X3444	GARLK	417298*	53X3662	GARLK	456483 =
53X3228	GARLK	417555!*	53X3445	GARLK	417298	53X3670	GARLK	456483 =
53X3229	GARLK	417555!*	53X3460	GARLK	415327*	53X3673	GARLK	417020
53X3230	GARLK	417555!*	53X3461	GARLK	415327	53X3676	GARLK	417570*
53X3234	GARLK	417556*	53X3464	GARLK	417596	53X3677	GARLK	417570
53X3235	GARLK	416288!*	53X3465	GARLK	417596	53X3680	GARLK	415227!
53X3236	GARLK	417556	53X3474	GARLK	455948	53X3687	GARLK	55228* =
53X3240	GARLK	417040	53X3482	GARLK	455584	53X3688	GARLK	55228* =
53X3249	GARLK	456199 =	53X3483	GARLK	455584	53X3689	GARLK	55228 =
53X3275	GARLK	417362!*	53X3492	GARLK	416364!	53X3694	GARLK	415482
53X3276	GARLK	417362!*	53X3493	GARLK	416364!	53X3705	GARLK	415076*
53X3277	GARLK	417362!*	53X3496	GARLK	417597*	53X3737	GARLK	55103S
53X3278	GARLK	417363	53X3497	GARLK	417597	53X3775	GARLK	455330!
53X3281	GARLK	416666*	53X3500	GARLK	416239!	53X3924	GARLK	417602!*
53X3282	GARLK	416666*	53X3501	GARLK	416239!	53X3925	GARLK	417602!
53X3283	GARLK	416666	53X3504	GARLK	417564*	53X3932	GARLK	455123*
53X3284	GARLK	417364	53X3505	GARLK	417564	53X3937	GARLK	417603!
53X3293	GARLK	416039	53X3514	GARLK	416077*	53X3945	GARLK	417567
53X3296	GARLK	416039	53X3515	GARLK	416077	53X3949	GARLK	455966
53X3322	GARLK	416476!	53X3518	GARLK	416044	53X3951	GARLK	415128
53X3323	GARLK	416476!	53X3519	GARLK	416044	53X3954	GARLK	455462
53X3324	GARLK	416476!	53X3526	GARLK	415116*	53X3965	GARLK	416257
53X3331	GARLK	455297*	53X3527	GARLK	415116	53X3967	GARLK	415219
53X3332	GARLK	455297	53X3536	GARLK	455117*	53X3975	GARLK	415871
53X3333	GARLK	455297*	53X3537	GARLK	455117	53X3984	GARLK	417606
53X3347	GARLK	417780*	53X3538	GARLK	415317*	53X3989	GARLK	55223* =
53X3348	GARLK	417780	53X3539	GARLK	415317	53X3996	GARLK	417020*
53X3349	GARLK	417780*	53X3544	GARLK	415867*	53X3998	GARLK	417020*
53X3355	GARLK	415683	53X3545	GARLK	415867	53X4016	GARLK	415227!*
53X3356	GARLK	415683*	53X3552	GARLK	415551*	53X4030	GARLK	55228* =
53X3357	GARLK	415683*	53X3553	GARLK	415551	53X4057	GARLK	415077*
53X3358	GARLK	417365	53X3557	GARLK	415116	53X4058	GARLK	415077
53X3359	GARLK	417365	53X3558	GARLK	416102	53X4059	GARLK	415077*
53X3360	GARLK	417365	53X3566	GARLK	417598*	53X4062	GARLK	415076
53X3367	GARLK	415072*	53X3567	GARLK	417598	53X4184	GARLK	55103S
53X3368	GARLK	415072	53X3574	GARLK	457299	53X4502	GARLK	417603!
53X3369	GARLK	415072*	53X3578	GARLK	455406!*	53X4503	GARLK	417940!
53X3370	GARLK	415072*	53X3579	GARLK	455406!	53X4503	GARLK	55301S*
53X3375	GARLK	455330!*	53X3582	GARLK	455397	53X4505	GARLK	455476*
53X3376	GARLK	455330!*	53X3583	GARLK	455397	53X4506	GARLK	456462
53X3377	GARLK	455330!	53X3588	GARLK	455121*	53X4507	GARLK	455462*
53X3384	GARLK	415074*	53X3589	GARLK	455121*	53X4515	GARLK	55239* =
53X3385	GARLK	415074	53X3592	GARLK	415656*	53X4517	GARLK	55078S*
53X3386	GARLK	415074*	53X3593	GARLK	415656	53X4526	GARLK	55228* =
53X3387	GARLK	415074*	53X3596	GARLK	417600*	53X4587	GARLK	416394
53X4929R1	GARLK	417606	53X4929R1	GARLK	417606	53X4929R1	GARLK	417606
53X4966F1	GARLK	417247!	53X4966F1	GARLK	417247!	53X4966F1	GARLK	417247!
53X4991R1	GARLK	415294!	53X4991R1	GARLK	415294!	53X4991R1	GARLK	415294!
53X5049R1	GARLK	415034!	53X5049R1	GARLK	415034!	53X5049R1	GARLK	415034!
53X5201F1	GARLK	417211!	53X5201F1	GARLK	417211!	53X5201F1	GARLK	417211!
53X5280F1	GARLK	415036	53X5280F1	GARLK	415036	53X5280F1	GARLK	415036
53X5319F1	GARLK	417492	53X5319F1	GARLK	417492	53X5319F1	GARLK	417492
53X5332F1	GARLK	416321	53X5332F1	GARLK	416321	53X5332F1	GARLK	416321
53X5492F1	GARLK	415041	53X5492F1	GARLK	415041	53X5492F1	GARLK	415041
53X5512F1	GARLK	476470!	53X5512F1	GARLK	476470!	53X5512F1	GARLK	476470!
53X5512F1	GARLK	476470	53X5512F1	GARLK	476470	53X5512F1	GARLK	476470
53X5683F1	GARLK	417603!	53X5683F1	GARLK	417603!	53X5683F1	GARLK	417603!
53X5831F1	GARLK	416888!	53X5831F1	GARLK	416888!	53X5831F1	GARLK	416888!
53X5923F1	GARLK	415610	53X5923F1	GARLK	415610	53X5923F1	GARLK	415610
53X5949R1	GARLK	415090	53X5949R1	GARLK	415090	53X5949R1	GARLK	415090
53X6089R1	GARLK	416077	53X6089R1	GARLK	416077	53X6089R1	GARLK	416077
53X6146R1	GARLK	415074	53X6146R1	GARLK	415074	53X6146R1	GARLK	415074
53X6433	GARLK	416364!	53X6433	GARLK	416364!	53X6433	GARLK	416364!
53X6433F1	GARLK	416364!	53X6433F1	GARLK	416364!	53X6433F1	GARLK	416364!
53X6434R1	GARLK	417357	53X6434R1	GARLK	417357	53X6434R1	GARLK	417357
53X6435	GARLK	415962	53X6435	GARLK	415962	53X6435	GARLK	415962
53X6437F1	GARLK	416239!	53X6437F1	GARLK	416239!	53X6437F1	GARLK	416239!
53X6484F1	GARLK	476470!	53X6484F1	GARLK	476470!	53X6484F1	GARLK	476470!
53X6484F1	GARLK	476470	53X6484F1	GARLK	476470	53X6484F1	GARLK	476470
53X6590F1	GARLK	416332!	53X6590F1	GARLK	416332!	53X6590F1	GARLK	416332!
53X6603F1	GARLK	415725!	53X6603F1	GARLK	415725!	53X6603F1	GARLK	415725!
53X6661F1	GARLK	417600	53X6661F1	GARLK	417600	53X6661F1	GARLK	417600
53X6711R1	GARLK	415725!	53X6711R1	GARLK	415725!	53X6711R1	GARLK	415725!
53X6760F1	GARLK	417603!	53X6760F1	GARLK	417603!	53X6760F1	GARLK	417603!
53X6872R1	GARLK	417362!	53X6872R1	GARLK	417362!	53X6872R1	GARLK	417362!
53X6891F1	GARLK	416239!	53X6891F1	GARLK	416239!	53X6891F1	GARLK	416239!
53X68X10C	SIMRT	53X68X10	53X68X10C	TRSCM	53X68X10	53X68X10C	TRSCM	53X68X10
53X68X10C	TRSCM	53X68X10	53X68X10C	TRSCM	53X68X10	53X68X10C	TRSCM	53X68X10
53X6920F1	GARLK	415294!	53X6920F1	GARLK	415294!	53X6920F1	GARLK	415294!
53X6978F1	GARLK	416380!	53X6978F1	GARLK	416380!	53X6978F1	GARLK	416380!
53X7115F1	GARLK	415991!	53X7115F1	GARLK	415991!	53X7115F1	GARLK	415991!
53X7115F1	GARLK	415991	53X7115F1	GARLK	415991	53X7115F1	GARLK	415991
53X7151F1	GARLK	415645!	53X7151F1	GARLK	415645!	53X7151F1	GARLK	415645!
53X7155F1	GARLK	415072	53X7155F1	GARLK	415072	53X7155F1	GARLK	415072
53X7233F1	GARLK	415551	53X7233F1	GARLK	415551	53X7233F1	GARLK	415551
53X7289F1	GARLK	417191	53X7289F1	GARLK	417191	53X7289F1	GARLK	417191
53X7402F1	GARLK	415088	53X7402F1	GARLK	415088	53X7402F1	GARLK	415088
53X7433F1	GARLK	415072	53X7433F1	GARLK	415072	53X7433F1	GARLK	415072
53X7433R1	GARLK	415072	53X7433R1	GARLK	415072	53X7433R1	GARLK	415072
53X7436F1	GARLK	415327	53X7436F1	GARLK	415327	53X7436F1	GARLK	415327
53X7448F1	GARLK	415036	53X7448F1	GARLK	415036	53X7448F1	GARLK	415036
53X7670F1	GARLK	476470!	53X7670F1	GARLK	476470!	53X7670F1	GARLK	476470!
53X7670F1	GARLK	476470	53X7670F1	GARLK	476470	53X7670F1	GARLK	476470
53X7673F1	GARLK	417020	53X7673F1	GARLK	417020	53X7673F1	GARLK	417020
53X7686F1	GARLK	415041	53X7686F1	GARLK	415041	53X7686F1	GARLK	415041
53X7880F1	GARLK	416556!	53X7880F1	GARLK	416556!	53X7880F1	GARLK	416556!
53X7880F1	GARLK	472157	53X7880F1	GARLK	472157	53X7880F1	GARLK	47

Mfr. No.	Name	Zero Duplication or Recommended Industrial	Mfr. No.	Name	Zero Duplication or Recommended Industrial	Mfr. No.	Name	Zero Duplication or Recommended Industrial	Mfr. No.	Name	Zero Duplication or Recommended Industrial
53X9780	GARLK	415294!	5414	C-R	710116	5439	C-R	14X30X7	54645	GARLK	417247!
54	UNIVE	471554!	54140	TROS	6781	54392D	C-R	330749V	546494D6	DIA	370003A
540115	BENDI	471466!	541429	C-R	471526!	5439LA	JN-MN	413478 *	5464R	JN-MN	416956
540166	SPERY	203020	541485M1	MASSE	353132	5439LUP	JN-MN	413478	5465	LAU	471224!
54017	IPS	1955	541486M1	MASSE	340817	5440	C-R	14X28X6	5465	SPG	417506
54017	IPS	52X65X9!	541487M1	MASSE	470954!	544011	C-R	710067	5465R	JN-MN	473462
54021	TROS	476470	5414B	JN-MN	410190	5441	C-R	14X28X6	5466	LAU	340771
54023	IPS	1181	5414LUP	JN-MN	410190	5441B	JN-MN	474254	546667	GMC	416239!
54023	IPS	41X56X7!	5415	C-R	14X26X7	5442	LAU	470954!	5466B	JN-MN	473464!
54026	IPS	224045	541503	C-R	417350!	5442B	JN-MN	471684!	5466B	JN-MN	473464
54026	IPS	40X62X12!	541582	C-R	471526!	54435612	TROS	370023A	5466LPD	JN-MN	473464!
54031	IPS	224270	5415B	JN-MN	55199 * =	544386R91	IH	473517!	5466LPD	JN-MN	473464
54031	IPS	42X72X10!	54160	TROS	1077 =	5444	HART	471255!	5467	LAU	481644
54035	GARLK	417356!	5416B	JN-MN	473235!	5444	SPG	1996	5467	SPG	370019A
54040008	TROS	417507	541746	C-R	470354	544452	GMC	332062	5467R	JN-MN	472397!
54042	IPS	1994	541845M1	MASSE	340413	5444B	JN-MN	471730	5468	LAU	441130
54042	IPS	48X70X9!	541849	C-R	417484	5445	LAU	471267!	5468	SPG	370005A
54046	IPS	1953	541934	ALLCH	480630!	544544	WHITE	370036A	5468B	JN-MN	416891!*
54046	IPS	42X60X7!	541949	C-R	3591	544544	WHITE	370349A	5469B	JN-MN	415219 *
5405	NATL	6480\$	542	GARLK	450165	54455	GARLK	416888!	546D	CALI	416666
54053	IPS	1214	542	GARLK	471801!	544570	VIC	370019A	546ED	CALI	455330!
54053	IPS	1214N	5420	C-R	14X27X7 *	544570	WHITE	370019A	547	HART	450040
54053	IPS	473823	542126R91	IH	471801!	544630	VIC	370023A	547	LAU	450040
54055	GARLK	417357	542127R91	IH	471733	544630	WHITE	370023A	5470	C-R	14X32X7
5406	NATL	6481S	542134R91	IH	471760	544631	SPICE	472636!	5470	LAU	471649!
54060	IPS	224045	54215D	IH	472179	544632	SPICE	473238	5472	NATL	7006S
54060	IPS	40X62X12!	542161	C-R	472164!	544692	WHITE	370036A	54721	TROS	5479
540603	SPERY	471231!	54220S	TROS	5487	544692	WHITE	370349A	547253	GMC	9845
540644	C-R	472635	542321	C-R	415988	544693	VIC	370021A	5472B	JN-MN	474255
540708	C-R	370132A	542329	C-R	712270	544693	WHITE	370021A	5473SS	JN-MN	471442!
540727	C-R	712260	542390	C-R	477163N	544694	VIC	370003A	547431R91	IH	6180 =
540782R91	IH	482591 =	5423B	JN-MN	415047	544694	WHITE	370003A	5474G	P-C	TCS45483
540856	CONTI	415137!	54240	TROS	50402	544694D6	DIA	370003A	5475	C-R	370023A
540856	CONTI	418028	542499	C-R	3893V	544695	VIC	370030A	5475	C-R	5667
540870	C-R	472258!	542533	C-R	710067	544695	WHITE	370030A	5475	NATL	417505
54089	TROS	417487	54255	GARLK	416556!	54475	GARLK	416153!	5475	NATL	5667
54091	IPS	225005	54255	GARLK	472157	544782R91	IH	46997S	5475	WMG	417505
54091	IPS	50X62X7!	542591	ALLCH	411394!	54498	GARLK	416892!	54760	TROS	224040
540924	C-R	471442!	54260	TROS	224045	5450	C-R	14X30X7	54760	TROS	40X60X10!
54094	IPS	1012	54260	TROS	40X62X12!	545007	C-R	471554!	547915C91	IH	370065A
54094	IPS	1012N	54261	TROS	470898	54501S	TROS	9613S	547915C91	IH	376590A
54096	IPS	1180	54275	GARLK	415196!	545059	C-R	473214	5480	C-R	14X35X7
54096	IPS	41X55X7!	542895	C-R	370023A	545067	C-R	472164!	5480	SPG	471646!
54097	IPS	1955	542895	C-R	456618	5451OSR	JN-MN	55218 =	5480LA	JN-MN	50191
54097	IPS	52X65X9!	542899	C-R	415437!	5452	C-R	14X30X7	5480LPD	JN-MN	50191
540977	BENDI	471570!	542899	C-R	415437	5452	LAU	471466!	5481	C-R	14X35X7
54098	IPS	223605	54297	GWJ	471570!	545290	GIB	415035	5481212	ALLCH	473226
54098	IPS	36X50X7!	542990	C-R	410308!	545290	GIB	415035!	548342	ALLCH	471271!
541	GARLK	471192	542990	C-R	473468	545298	WHITE	471821!	548349	ALLCH	473474
5410	HART	480210!	543039	C-R	470774!	545327	BOWEN	417191	5483B	JN-MN	415960
5410	LAU	480210!	5431	FULLE	412871!	545327	BOWEN	456585	5484	CHAMP	470954!
5410SH	JN-MN	471264 *	5431	SPG	5585	545333	KEN	472029	54840009	TROS	415041
5410SS	JN-MN	471264!	54317C	DIA	474276!	545333HA	IH	415437	54840014	TROS	370036A
5411	LAU	471255!	543188	C-R	483793	54534HA	IH	415437	54840014	TROS	370349A
54117	IPS	1208	5432	FULLE	473473	5453528	GMC	471442!	54840014	TROS	380036A
54117	IPS	48X72X7!	543219	C-R	5133	545364	ALLCH	417349	54840809	TROS	415043
54119	IPS	1012	54330	C-R	138X152X12!	545376	CONDC	415551	54843209	TROS	416892
54119	IPS	1012N	54330	C-R	138X152X15!*	54539	MC-CL	473230!	54844009	TROS	415371
541196	C-R	471267!	54330	C-R	710368	5454	C-R	14X30X7V	54844409	TROS	415284
541197	C-R	450412	5435	HART	471570!	5454	LAU	470328	54844412C	TROS	415284
541199	C-R	417621!	5435	LAU	471570!	5454	LAU	481213!	54844809	TROS	415138!
5412	C-R	221410	54350	C-R	55357	545458	WHITE	473473	5484B	JN-MN	415023
5412	HART	471554!	5435B	JN-MN	417273	5455	LAU	470606!	5485B	JN-MN	416891!
54121	IPS	1969	5436	HART	471224!	5456	C-R	14X30X7V	54861	TROS	471224!
54121	IPS	48X63X9!	5436	LAU	471224!	5459	LAU	471442!	5486B	JN-MN	415072
54125A	GWJ	471763	54360	TROS	40185	5459B	JN-MN	415072 *	5487B	JN-MN	416239!
54126A	GWJ	471760	5437	HART	50209	5460B	JN-MN	417562	5488	SPG	5589
5413	C-R	14X25X5!	5437	LAU	50209	5461B	JN-MN	417596	5488B	JN-MN	417556
5413	C-R	710116	543771	C-R	710043	5462	LAU	7014S	548913	CHRYS	415988
54131	IPS	239146	5438	LAU	471649!	54625	GARLK	415138!	5489B	JN-MN	417357
54131	IPS	38X54X7!	5438B	JN-MN	417211!*	5463	LAU	471539!	5489B	JN-MN	455192!
54134	IPS	1213N	5439	C-R	14X28X6	5464	SPG	370002A	5489LPD	JN-MN	417357

! Industrial Size/Type * Minor Width Difference \$F-M Number Is Part Of A Kit
 = The U.S. customer service number is 877-4-TIMKEN. The Canadian customer service numbers are 800-565-4927 (English) and 800-565-0438 (French-Canadian).

NUMERICAL INTERCHANGE

Zero Duplication or Recommended Industrial		Zero Duplication or Recommended Industrial		Zero Duplication or Recommended Industrial		Zero Duplication or Recommended Industrial					
Mfr. No.	Name	Mfr. No.	Name	Mfr. No.	Name	Mfr. No.	Name				
5489LPD	JN-MN	455192!	55003	SPG	415458!	550186	C-R	223535	550260	C-R	1213N
5489LUP	JN-MN	417357	55003S	SPG	415458!	550189	C-R	1163=	550262	C-R	223542
5489LUP	JN-MN	455192!	55004	SPG	417316!	55018S	SPG	476470	550262	C-R	35X55X11!
548BM416	C-R	416888!	550042	C-R	1094=	55019	SPG	455019!	550263	C-R	1994
548ED	CALI	415295	550044	C-R	472492!	550190	C-R	40X58X10!*	550263	C-R	48X70X9!
549	HART	451583!	55004S	SPG	417316!	550193	C-R	226020	550264	C-R	1214
549	LAU	451583!	55005	SPG	455005	550193	C-R	60X80X8!	550264	C-R	1214N
5490B	JN-MN	455197N	550059	C-R	473238!	550199	C-R	224045	550265	C-R	1981
5491B	JN-MN	417507	55005S	SPG	455005	550199	C-R	40X62X12!	550267	C-R	710050
5491B	JN-MN	417507!	55006	SPG	417344!	55019S	SPG	455019!	550267	C-R	712011
54923	C-R	476842	550060	C-R	470712!	550202	C-R	1062=	55027	SPG	415027
54928	CHRYSS	5M81	550069	C-R	2551	550217	C-R	1174	55027	SPG	415027!
54929	C-R	6872S	55006S	SPG	417344!	550219	C-R	32X58X8!	550270	C-R	1174
54930	C-R	5471	55007	SPG	415007	55022	SPG	455022	550270	C-R	1205
54931	C-R	417254*	550071	C-R	1070=	550220	C-R	224045	550270	C-R	1205N
54933	C-R	417254	550073	C-R	1097N	550220	C-R	40X62X12!	550270	C-R	38X52X8.5!
54934	C-R	417254*	550074	C-R	472311	550222	C-R	1170	550270	C-R	710309*
54935	C-R	5473	55007S	SPG	415007	550223	C-R	1173	550271	C-R	1187
54940	C-R	417254	55008	SPG	455008	550224	C-R	1167	550271	C-R	47X68X10!
54941	C-R	417254	550081	C-R	1873	550225	C-R	1977	550275	C-R	1195
54943	C-R	417254	550082	C-R	470898	550226	C-R	47X62X8!	550278	C-R	1209
54946	C-R	417360	550085	C-R	451948	550227	C-R	1174	550279	C-R	1208
54947	C-R	417360	550085	C-R	472579!	550227	C-R	38X52X8.5!	550279	C-R	48X72X7!
54948	C-R	417360	550087	C-R	471192	550228	C-R	1183	55027N	SPG	415027
54949	C-R	417360	550088	CLARK	472492!	550228	C-R	43X55X8!	55027S	SPG	415027!
5494G	P-C	TCS45483	550089	C-R	416664!	550229	C-R	2000	55027S	SPG	415027
5495	FREIG	5495	55009	SPG	415960	550229	C-R	224235	550280	C-R	1969
54950	C-R	416107!	550094	C-R	472164!	550229	C-R	42X58X7!	550280	C-R	48X63X9!
54950	C-R	455073	550095	C-R	1097N	55023	SPG	415023	550284	C-R	22242
54959	C-R	416107!*	550097	C-R	472258!	550230	C-R	224045	550285	C-R	482126
54960	C-R	416107!*	550099	C-R	471195!	550230	C-R	40X62X12!	550288	C-R	224320*
54971	C-R	416107*	55009S	SPG	415960	550231	C-R	223542	55029	SPG	416125!
549712R1	IH	470954!	5500R	JN-MN	473458!	550231	C-R	35X55X11!	550294	C-R	224560
54971R	CASE	470954!	5501	ALOY	2146	550232	C-R	41X56X7!	550294	C-R	45X68X7!
54971R1	CASE	470954!	55010	SPG	417485	550233	C-R	223542	55029S	SPG	416125!
54972	C-R	416107!*	550102	C-R	471224!	550233	C-R	35X55X11!	55030	GARLK	415725!
54973	C-R	416107!	550106	C-R	1110	550234	C-R	1177	55031	SPG	416339
54978	C-R	416107!	55011	SPG	416921!	550236	C-R	224015	55031	SPG	455031!
54979	C-R	416107!	550111	C-R	1035=	550237	C-R	224205	550310	C-R	455612=
54980	C-R	416107!	550115	C-R	473234!	550237	C-R	42X55X8!	550312	C-R	2642
54981	C-R	416107!	55011S	SPG	416921!	550238	C-R	1959	550314	C-R	455472=
549818	US-EL	352541	55012	SPG	416654!	550239	C-R	1955	550316	C-R	417496
54990	C-R	416107!	550121	C-R	472164!	550239	C-R	52X65X9!	55031S	SPG	416339
54990	C-R	455073	550124	C-R	1110	55023S	SPG	415023	55031S	SPG	455031!
54C-49	OLIVE	40061S=	55012S	SPG	416654!	55024	SPG	455024	55032	NATL	455032!
54X65X8SC	TRSCM	54X65X8	55013	SPG	415995!	550240	C-R	224015	55032	C-R	417502
54X65X8TC	TRSCM	54X65X8	55013S	C-R	1091=	550241	C-R	55X82X12!	550322	C-R	417502
54X72X10SC	TRSCM	54X72X10!	550139	C-R	471787!	550242	C-R	1956	55033	SPG	416345!
54X72X10TC	TRSCM	54X72X10!	55013S	SPG	415995!	550243	C-R	1167	55033	SPG	455033
54X73X8SC	TRSCM	54X73X8!	55014	SPG	417487	550244	C-R	43X65X8!	550330	C-R	417506
54X73X8TC	TRSCM	54X73X8!	550148	C-R	223005	550244	C-R	470460	550330Q6	C-R	417506
54X82X10	NATL	225450	550148	C-R	30X40X7!	550245	C-R	224560	55033S	SPG	416345!
54X82X10SC	TRSCM	54X82X10	55014S	SPG	417487	550246	C-R	471831!	55033S	SPG	455033
54X82X10TC	TRSCM	54X82X10	55015	SPG	455015	550247	C-R	1217	55034	SPG	415034!
54X85X10SC	TRSCM	54X85X10!	550154	C-R	1012	550249	C-R	224270	55034S	SPG	415034!
54X85X10TC	TRSCM	54X85X10!	550154	C-R	1012N	550249	C-R	42X72X10!	55035N	SPG	415035
55	UNIVE	474253!	550154	C-R	471831!	55025	SPG	415025	55035S	SPG	415035!
55-S282	LETN	416364!	550158	C-R	225230	550250	C-R	223830	55035S	SPG	415035
55-S556	LETN	455556	55016	SPG	416288!	550250	C-R	223832	55036	SPG	415036
5500	C-R	712028	55016S	C-R	4529N	550250	C-R	38X55X7!	55036S	SPG	415036
55000	SPG	417073	55016S	SPG	416288!	550251	C-R	1994	55037	SPG	455037
550001	C-R	1049	55017	SPG	456105	550251	C-R	48X70X9!	55037S	SPG	455037
550002	C-R	1010=	55017S	C-R	224520	550255	C-R	222510	55038	SPG	417512
550003	C-R	1037	55017S	C-R	45X60X10!	550255	C-R	25X35X7!	55040	SPG	416891!
550004	C-R	471737	550178	C-R	473560N	550256	C-R	1981	55040S	SPG	416891!
550005	C-R	472299	55017S	SPG	456105	550257	C-R	1174	55041	SPG	415041
55001	SPG	415001!	55018	SPG	476470	550257	C-R	38X52X8.5!	550410	C-R	455197N
550012	C-R	472492!	550184	C-R	224040	550258	C-R	2000	550410M1	C-R	455197N
550017	C-R	471827	550184	C-R	40X60X10!	550258	C-R	224235	550412	C-R	415196!
55001S	SPG	415001!	550185	C-R	224850	550258	C-R	42X58X7!	550412M1	C-R	415196!
55002	SPG	415988	550185	C-R	473455!	55025S	SPG	415025	550414	C-R	55199=
55002S	SPG	415988	550186	C-R	1077=	55026	SPG	455026	550414M1	C-R	55199=

! Industrial Size/Type *Minor Width Difference

=The U.S. customer service number is 877-4-TIMKEN. The Canadian customer service numbers are 800-565-4927 (English) and 800-565-0438 (French-Canadian).

Mfr. No.	Name	Zero Duplication or Recommended Industrial	Mfr. No.	Name	Zero Duplication or Recommended Industrial	Mfr. No.	Name	Zero Duplication or Recommended Industrial	Mfr. No.	Name	Zero Duplication or Recommended Industrial
550416	C-R	416888!	55086	SPG	417487	55121	SPG	455121	55177	SPG	415379!
550416	GR-DV	416888!	55086S	SPG	417487	55123	SPG	455123	55179	C-R	456192
550416	MINMA	416888!	55087	BOSTN	471281!	55124	SPG	415124	55179	SPG	417210!
550416M1	C-R	416888!	55088	BOSTN	254287	55124S	SPG	415124	55179S	SPG	417210!
55041S	SPG	415041	55088	SPG	415088	55125	C-R	140X170X12V	55180	C-R	8635S
55042	C-R	455037	55088	SPG	415088!	55125	SPG	417022	55180	SPG	417498
55043	SPG	415043	55088S	SPG	415088	55127	C-R	140X180X12!	55181	C-R	456192=
55044	C-R	417512	55088S	SPG	415088!	55127	SPG	417567	551837R91	IH	471766!
55044M1	C-R	417512	55091	SPG	416167!	55129	SPG	455129	55184	SPG	417504
55045	SPG	415045!	550914R91	IH	471224!	55129S	SPG	455129	55185	SPG	417211!
550450	CLARK	45827S	55091S	SPG	416167!	55130	C-R	416107!	55185S	SPG	417211!
55045S	SPG	415045!	55093	ONAN	416888!	55130	GARLK	417278	55186	SPG	417967!
55046	C-R	417513	55093	SPG	411376!	55131	TROS	6815	55187	SPG	415187
55046M1	C-R	417513	55093S	SPG	411376!	55131AX	OSHKO	415137!	55188	SPG	417356!
55048	C-R	416891!	55094	AM WH	417488!	55131AX	OSHKO	418028	55188	SPG	455188
55048	FAIRB	416891!	55094	SPG	416444	55134	SPG	455134!	55189	SPG	455189
55048	GOODM	416891!	55094S	SPG	416444	55134S	SPG	455134!	55189S	SPG	455189
55048	GR-DV	416891!	55095	SPG	416271!	55136	NATL	455136	55191	SPG	455191
55048	SPG	417525	55095S	SPG	416271!	55137	SPG	418028	55192	SPG	417357
55048K	GOODM	416891!	55096	SPG	411245!	55137	SPG	455137!	55192	SPG	455192!
55049	SPG	416892!	55096S	SPG	411245!	551377	ADAMS	411245!	55192S	SPG	417357
55049S	SPG	416892!	55098	SPG	415302	55137S	SPG	418028	55192S	SPG	455192!
5504G	P-C	TCS45483	55098S	SPG	415302	55137S	SPG	455137!	55194	SPG	455194
5505	C-R	313156	550F4	C-R	415036	55141Q6	C-R	455037	55195	SPG	472157!
55050	SPG	417533	550F48	C-R	416891!	55143	C-R	416107!	55195	SPG	472157
55053	SPG	415138!	550H2	WHITE	471466!	55143	C-R	455073	55195HA	SPG	472157
55053S	SPG	415138!	550H410-T8	C-R	455197N	55144	SPG	455144	55195S	SPG	472157!
55054	SPG	417223	550M48-B	C-R	416891!	55145	SPG	417172	55195S	SPG	472157
55054S	SPG	417223	550W410	C-R	455197N*	55145S	SPG	417172	55196	SPG	415196!
55056	SPG	455056	550W412	C-R	415196!	55146	SPG	415991	55196S	SPG	415196!
55058	SPG	415058	550W414	C-R	55199* =	55146	SPG	455146!	55197N	SPG	455197N
55058S	SPG	415058	550W662	CONE	5146	55146S	SPG	415991	55198	SPG	415198
55059	SPG	417238	5510	C-R	313156	55146S	SPG	455146!	55199	WMG	457295
55060	SPG	415060	55101	SPG	416282	55147	SPG	415449!	55200	SPG	416888!
55060	SPG	455060	55102S	TROS	415302	55147S	SPG	415449!	55200N	SPG	416888
55062	SPG	415351!	55104	SPG	415645!	55148	SPG	417366!	55200S	SPG	416888!
55062S	SPG	415351!	55104	SPG	455104	55150	C-R	416107!	55202	TROS	417506
55063	SPG	457585	55104S	SPG	415645!	55150	C-R	455073	55203	SPG	455203
55065	SPG	417536	55104S	SPG	455104	55150	SPG	415150!	55204	SPG	417515
55067	SPG	456890	55105	SPG	415938	55151	SPG	455151	55208	SPG	417526
55068	SPG	417269!	55105S	SPG	415938	55153	SPG	417486	5520814	GMC	415995!
55068S	SPG	417269!	55106	SPG	417556	55153S	SPG	417486	5521	FULLE	410496!
5506SS	JN-MN	471255!	55106S	SPG	417556	55154	SPG	417351!	55210	SPG	417534
55070	SPG	416865!	55108	NATL	457874	55154S	SPG	417351!	552102R91	IH	471554!
55070N	SPG	416865	55108	WMG	457874	55156	SPG	417621!	55211	SPG	416158
55070S	SPG	416865!	55109	SPG	417562	55156S	SPG	417621!	55213	SPG	417247!
55071	SPG	417546!	55109S	SPG	417562	55157	C-R	417361	55213S	SPG	417247!
55071S	SPG	417546!	55110	SPG	417563	55158	SPG	417488!	55215S	TROS	5458
55072	SPG	415072	5511068	AM HO	5965	551581	C-R	457734	55216	SPG	417539!
55072S	SPG	415072	55111	SPG	416229	55158S	SPG	417488!	5522	C-R	314259!
55073	SPG	416107!	55111S	SPG	416229	55161	SPG	417490	55221	SPG	417606
55073	SPG	455073	551123	GMC	472082	55165	C-R	5472=	55224	BOSTN	471538!
55073R91	IH	471532	55113	SPG	455310	55165	SPG	417191	55225	BOSTN	471612
55073S	SPG	416107!	55114	SPG	455584	55165	SPG	455165!	55226	BOSTN	473380
55073S	SPG	455073	55115	C-R	140X160X12	55165S	SPG	417191	55226	SPG	417570
55075	SPG	416476!	55115	C-R	140X160X13!	55165S	SPG	455165!	55227	SPG	415227!
55075S	SPG	416476!	55115	SPG	416077	55169	SPG	417493	55229	SPG	415482
55076	SPG	415076	55116	C-R	140X160X13*	55170	C-R	7006S	55230	TROS	473228
55077	SPG	415077	55116	SPG	415116	55170	SPG	417196!	55232	SPG	416153!
55077AX	OSHKO	471267!	55116S	SPG	415116	55170S	SPG	417196!	55232S	SPG	416153!
55078SSR	SPG	55078S	55117	SPG	455117	55171	SPG	415711	552330	WHITE	471870!
55079	SPG	455079!	55118	C-R	140X170X12!	55172	C-R	370043A	55234	SPG	415234!
55079A	OSHKO	415899N	55118	C-R	710406	55172	SPG	416332!	55234S	SPG	415234!
55079A	OSHKO	416624	55118	SPG	415551	55172N	SPG	416332!	55236	NATL	415577
55079S	SPG	455079!	55118S	SPG	415551	55173	SPG	415437	55244	SPG	417481
55080	GARLK	416865!	55119	C-R	710406	55173	SPG	415437!	55246	NATL	416919
55080	SPG	455080	55119	SPG	417598	55173S	SPG	415437	55249	NATL	455249!
55082	SPG	415082	5511LA	JN-MN	450803	55173S	SPG	415437!	55251H	SPG	455251H
55084	SPG	416239!	55120	C-R	140X170X15!	55175	C-R	370120A	55252	HYST	471466!
55084S	SPG	416239!	55120	C-R	710406	55176	SPG	417501	55253	SPG	455253
55085	SPG	415085!	55120	SPG	455406!	55177	C-R	370120A	552571	GMC	8610
55085	SPG	456648	55121	C-R	710406	55177	SPG	415379	552572	GMC	8610

! Industrial Size/Type * Minor Width Difference

= The U.S. customer service number is 877-4-TIMKEN. The Canadian customer service numbers are 800-565-4927 (English) and 800-565-0438 (French-Canadian).

Mfr. No.	Name	Zero Duplication or Recommended Industrial	Mfr. No.	Name	Zero Duplication or Recommended Industrial	Mfr. No.	Name	Zero Duplication or Recommended Industrial	Mfr. No.	Name	Zero Duplication or Recommended Industrial
552573	GMC	8610	55356S	SPG	455356	55475	BOSTN	474252	55620	BOSTN	471276!
55260	SPG	455260	5535LA	JN-MN	473225!	55475	NATL	455475	55620	GARLK	417254
55263	SPG	415263	55360	TROS	470712!	55476	BOSTN	472649	55621	BOSTN	412920!
55263S	SPG	415263	55362S	TROS	6952S=	55476	SPG	455476	55621	BOSTN	472950
55264	SPG	415867	55364	SPG	416664!	55477	BOSTN	472642	55622	BOSTN	473259
55271	SPG	415725!	55364S	SPG	416664!	55477	BOSTN	472642V!	55623	BOSTN	473427
552711	GMC	472082=	55365	NATL	327303!	55478	BOSTN	472644!	556231	GMC	472439
55271S	SPG	415725!	55368	SPG	415483!	55479	SPG	417350!	5563	SPG	417506
55272	SPG	416706!	55368S	SPG	415483!	55480	SPG	455480!	55630	SPG	415085!
55272S	SPG	416706!	5536LA	JN-MN	473229	55480S	SPG	455480!	55630	SPG	456648
55279	TROS	7245	5536LUP	JN-MN	473229	55481	SPG	417543	55630TB	TRSCM	6872S
55280	SPG	455280	55371	SPG	415371	55482	SPG	415482	55634	SPG	415371
55281	SPG	417349	55371S	SPG	415371	55487	SPG	417555!	5564	ALOY	2506
55281S	SPG	417349	55375	SPG	455375=	55494N	SPG	455956H	556452	ACF	415371
55282	SPG	416364!	55377	SPG	417541	55494S	SPG	417548	5565	ALOY	410059
55282S	SPG	416364!	553778	VIC	370048A	55499	SPG	418029!	5565	ALOY	470380!
5528LA	JN-MN	471272!	553778	VIC	380048A	554D	CALI	415960!	5565	ALOY	472189A!
55290	SPG	455290	553778	WHITE	370048A	55502	SPG	455583N!	5565	ALOY	9613S
55293	NATL	417584	553778	WHITE	380048A	55504S	TROS	7412S	55650	C-R	55358=
55294	SPG	415294!	55377S	SPG	417541	55509	SPG	455509	55650	GARLK	417360
55294S	SPG	415294!	55378	SPG	415284	55513	SPG	417507	556514C91	IH	291099
55300	SPG	417601	55378N	SPG	415284	55513	SPG	417507!	55653	DGASK	2904
55300S	SPG	417601	55378S	SPG	415284	55513S	SPG	417507	55655	SPG	455655!
55301	SPG	55301S	55379	SPG	415379	55513S	SPG	417507!	5566	ALOY	331301N
55305	SPG	415991	55379	SPG	415379!	55526S	SPG	417350!	5566	ALOY	9015S*
55305	SPG	455146!	55379S	SPG	415379!	5553	SPG	370003A	55661	SPG	455661
55305S	SPG	415991	55379S	SPG	415379	55536	SPG	455536	556623	ACF	417252
55305S	SPG	455146!	55382R91	IH	473419	555382R91	IH	473419	556672R91	IH	471504!
5531	TMTR	450446	55383	SPG	416956	555383R91	IH	473438	5567	SPG	5092
55310	GARLK	417278	55383S	SPG	416956	555384R91	IH	472636!	55672	SPG	412473!
55310	SPG	455310	55384	SPG	475384	555385R91	IH	474274	556754	ACF	471689!
55311	SPG	455311	55393	SPG	417511	555386R91	IH	473466	5567SS	JN-MN	471255!
55313	SPG	416670	55394	SPG	415394	555387R91	IH	50081	556808A	HARWA	55X68X8!
55315	SPG	415984!	55396	SPG	455396	555388R91	IH	471747!	55683	SPG	415683
55315S	SPG	415984!	55397	SPG	455397	555389R91	IH	472185!	55685	SPG	455685
55317	NATL	415317	5539B	JN-MN	471835!	555390R91	IH	473225!	55689	SPG	417353!
55317	WMG	415317	55400	GARLK	415645!	555391R91	IH	470712!	55690	SPG	416297
5532	ALOY	8610	55402	SPG	455402=	555392R91	IH	471224!	556939	CHRYSS	473462
5532	TMTR	412473!	5541	C-R	472705!	555394R91	IH	471137	556976	CHRYSS	410308!
55321	SPG	455321	5542	C-R	481315V=	555395R91	IH	471137	556D5	DIA	415960!
55321S	SPG	455321	5542LPD	JN-MN	455655!*	555396R91	IH	471766!	556D5	WHITE	415960
55322	SPG	417484!	5543	C-R	472705!	555397R91	IH	476838!	5570	SPG	5072
55322N	SPG	417484!	55434	SPG	455434	555398R91	IH	473419	55702S	TROS	415371
55322S	SPG	417484!	554361	FRUEH	370020A	5554	NATL	7378	5570LA	JN-MN	473232
55327	SPG	415327	554364	FRUEH	730009	55547	SPG	415697!	5571	DIVCO	416738!
55328	SPG	455328	554366	FRUEH	HU019A	55547	SPG	455547	5571	DIVCO	450096
5532LA	JN-MN	417211!*	55436AM	IH	473367!	55547S	SPG	415697!	55710	GARLK	417361
5533	ALOY	8660S	55436AM	IH	473367	55547S	SPG	455547	55718	SPG	415060
55330	SPG	455330!	55437	SPG	415437	55549	SPG	415035!	55718	SPG	455060
55331	SPG	417191	55437S	SPG	415437	55549	SPG	415035	55719	SPG	415960
55331	SPG	456585	55442	NATL	415442!	55556	SPG	455556	557197	CHRYSS	473438
55332	SPG	415027	55447	NATL	415447	55558S	NATL	417780	5571LA	JN-MN	450311*
55336	BOSTN	471686	55448	SPG	417262!	55563	WMG	417433!	5571LPD	JN-MN	450311
55336	SPG	455336	55450	GARLK	417359	55565	TROS	222510	5572LA	JN-MN	473010
5533LA	JN-MN	416229	55454	C-R	417361	55565	TROS	25X35X7!	557369M1	MASSE	473214!
55340	SPG	415991	55455	C-R	417361	55566	SPG	455566	5573LA	JN-MN	470625!
55340	SPG	455146!	55456	C-R	417361	55566S	SPG	455576!	5574LA	JN-MN	473228
553408	VIC	370048A	55457	C-R	417361	55566S	WMG	455566	557500	ACF	413246
553408	VIC	380048A	55462	SPG	455462	55576S	SPG	455576!	55755SA	TRSCM	456192
553408	WHITE	370048A	554631	GMC	8660S	55581	SPG	456618	5576	NATL	5650
553408	WHITE	380048A	5546315	SPICE	473454	55583N	SPG	455583N!	557627	ACF	415483!
55341	SPG	417494	554633	SPICE	470059	5558B	JN-MN	417604*	5576SS	JN-MN	414045!
55342	SPG	417531	554633	SPICE	470380!	55592S	SPG	455592	557782	GMC	472439
55344	SPG	416313	554634	SPICE	471763	55601	SPG	416070	5578	C-R	472705!*
55347	SPG	417159	554635	SPICE	473454	55613	SPG	416294!	557810A	HARWA	55X78X10
55347S	SPG	417159	554636	SPICE	473231	55614	WMG	455614	5579	HYST	473438
55349	SPG	415349	554637	SPICE	473454	55615	SPG	418028	5579448	AMGEN	714675*
5534LA	JN-MN	413247!	55464	SPG	417550	55615	SPG	455137!	55805D	IH	473245!
55350	GARLK	417358	55471	C-R	416191	55615S	SPG	418028	55820	SPG	455820
55354	SPG	416404!	55471	SPG	455471	55615S	SPG	455137!	55820R91	IH	5MR1009
55354S	SPG	416404!	55473	SPG	417518	55618	SPG	416029N!	55823R1	IH	5MR1009
55355S	SPG	417158!	55475	BOSTN	472951	5562	ALOY	7607	558245	CHRYSS	450073

! Industrial Size/Type *Minor Width Difference

=The U.S. customer service number is 877-4-TIMKEN. The Canadian customer service numbers are 800-565-4927 (English) and 800-565-0438 (French-Canadian).

Mfr. No.	Name	Zero Duplication or Recommended Industrial	Mfr. No.	Name	Zero Duplication or Recommended Industrial	Mfr. No.	Name	Zero Duplication or Recommended Industrial	Mfr. No.	Name	Zero Duplication or Recommended Industrial
55829	SPG	410825	55X90X8AS	ISP	55X90X8	56205S	TROS	5589	5654	SPG	5604
5582LA	JN-MN	471271!	56	UNIVE	471570!*	562075R91	IH	415498	56544C	DIA	415066
5583LPD	JN-MN	471747!	5600	ALOY	5699	562077R91	IH	473454	56560	TROS	1094 =
55840	SPG	417604	56000	BOSTN	472655	56208	DGASK	408	5659SH	JN-MN	340930*
55850	GARLK	417362!	560007R91	IH	472164!	56208-F	REO	370003A	56601S	TROS	473231!
55854	SPG	415854	56001	BOSTN	472953	5620SS	JN-MN	343104	5660LA	JN-MN	450398
55857	NATL	415857!	56002	BOSTN	471904	56211	DGASK	411	5660LA	JN-MN	471267!
55858	NATL	455858	560116R91	IH	471835!	56212	DGASK	412	5660LUP	JN-MN	450398
5586	SPG	5072	56012	EARTH	476838!	56214	DGASK	414	5660LUP	JN-MN	471267!
55860	SPG	417480!	5601LA	JN-MN	415351!	56220	DGASK	420	5661	C-R	471281!
55861	GMC	476838!	5602	WMG	4561V	56221	DGASK	421	5661151	GMC	472185!
55865C1	IH	41461S	56024871	BENDI	481073	5622170	GM	414	5661486	GM	471763
55879D	IH	415449!	5602LA	JN-MN	473463	56222	DGASK	422	5661486	GMC	471763
5589	C-R	472705!	56030	GARLK	417365	56224	DGASK	424	566162R91	IH	415483!
55890	GARLK	417363	5603LA	JN-MN	415036	56225	DGASK	425RR	5661LA	JN-MN	471267!
55896	SPG	2055	560470R91	IH	415458!	56227	DGASK	427RR	5662	C-R	471281!
55901	TROS	50419	56049J	DIA	5751	56228	DET	428RR	5662	GILSN	200354
559032	C-R	416137	5604M1	C-R	417507	56228	DGASK	428RR	566201R91	IH	473232
55904	BOSTN	472954!	5604M1	C-R	417507!	56229	DET	429RR	5662200	GMC	472560N
55905	BOSTN	473197!	5605	C-R	718610	56229	DGASK	429RR	5662B	JN-MN	471760
55906	BOSTN	470596!	56050	GARLK	415072	562411	US-EL	472179	56630H	IH	410737!
55907	BOSTN	470806	5605X	HYST	473367!	562416	C-R	416153!	566330	US-EL	474264
55908C	DIA	5401	5605X	HYST	473367	562416	CLARK	416153!	5663766	GMC	470954!
55910	GARLK	416666	5606	C-R	472705!	562416M1	C-R	416153!	5663834	GMC	471413!
5591SS	JN-MN	481528	5606	C-R	718610	562491R91	IH	472144!	5663837	GMC	471267!
55921NA	SPG	413246	5606	NATL	39817	5626	C-R	240007=	5664016	GMC	471466!
55925	GARLK	417364	560680	GMC	3553	5626LA	JN-MN	471862*	56641S	TROS	.3103!
5592B	JN-MN	450279*	560680-850	GMC	3553	5627LPD	JN-MN	470682	5664459	GMC	471646!
5592EL	SUL	473245!	5606LA	JN-MN	417273	562932C1	IH	370007A	5664690	GMC	323138!
55949	EARTH	471764!	5607	C-R	472705!*	5629LPD	JN-MN	471744!	5665LA	JN-MN	471466!
5594LA	JN-MN	415371	5607	HYST	470050	5629R	JN-MN	471744!	56660	TROS	471195!
5594LUP	JN-MN	415371	56071R91	IH	416282	562W424	C-R	55367=	56665TA	TRSCM	417555!
55962	EARTH	472012	560754C1	IH	470898	56304	BOSTN	476878=	5666LA	JN-MN	471224!
5597LUP	JN-MN	472185!	5609LA	JN-MN	417602!	56305	BOSTN	477104=	5667	NATL	370023A
5598	ALOY	8705S	5609LUP	JN-MN	417602!	56305	GOODM	240698	5667	NATL	471505
5598LUP	JN-MN	415001!	56100	C-R	417555!	56306	BOSTN	415001!	566701R91	IH	6590S
5599	ALOY	8594S	56101	C-R	417555!	56307	BOSTN	417474	5667B	JN-MN	55155* =
5599	SPG	343115	56101	TROS	416273!	56309	BOSTN	473243	56685TA	TRSCM	417556
559921	MC-CL	5573	56102	SPG	416102	5630LA	JN-MN	473449	5668752	GMC	471737=
559922R91	IH	340823	56103	C-R	5146	5630LUP	JN-MN	473449!	5669LA	JN-MN	473234
5599LA	JN-MN	473010	56105	C-R	417555!	563149R91	IH	6575S	5670060	GMC	473237!
55HB122	BRADF	471766!	5610LUP	JN-MN	415072	5632LPD	JN-MN	413472	56715TA	TRSCM	417040
55HB123	BRADF	472015!	5611LA	JN-MN	472144!	5633R	JN-MN	473447	5671B	JN-MN	471466!
55X100X10ASN	ISP	55X100X7	5611TA	OSHKO	370036A	56340	C-R	144X160X12*	567236	CHRYSL	413469!
55X100X13SC	TRSCM	55X100X13	5612LA	JN-MN	472397!	56343	NOVI	472164!	5672855	GMC	7412S
55X100X13TC	TRSCM	55X100X13	561328C91	IH	472016	563578	CHRYSL	415234!	5672997	GMC	471689!
55X68X8	FORSH	55X68X8!	561347R91	IH	471571	563653	CHRYSL	481864	5673120	GMC	7840S
55X68X8	SIMRT	55X68X8!	56135	C-R	417556	563722	CHRYSL	470334!	5673121	GMC	7399S!
55X68X8SC	TRSCM	55X68X8!	56136	C-R	417556	5639B	JN-MN	473426*	5674114	GMC	254270
55X68X8TC	TRSCM	55X68X8!	56137	C-R	417556 =	5640LA	JN-MN	476838!	5675	C-R	240007 =
55X70X8SC	TRSCM	55X70X8!	5613LA	JN-MN	415960	56411	BOSTN	477105 =	5675600	GMC	340413
55X70X8TC	TRSCM	55X70X8!	5613LPD	JN-MN	415960	5641A	C-R	471466!	567816R91	IH	417492
55X72X8SC	TRSCM	55X72X8!	56147	TROS	6960	564403R91	IH	203008	567824R91	IH	290070 =
55X72X8TC	TRSCM	55X72X8!	56149	BOSTN	472660	5644LA	JN-MN	473215!	567824R91	IH	472185!
55X75X10SC	TRSCM	55X75X10	5614G	P-C	TCS45483	5644LUP	JN-MN	473215!	567826R91	IH	472164!
55X75X10TC	TRSCM	55X75X10	56150	BOSTN	472651V	564592R91	IH	472311!	567829R91	IH	471192
55X75X8SC	TRSCM	55X75X8	56151	BOSTN	472653!	564631	SPICE	471820	567878	CHRYSL	470898
55X75X8TC	TRSCM	55X75X8	56153R91	IH	417254	564632	SPICE	471646!	56793698	IG-RA	415085!
55X78X10	SIMRT	55X78X10	56155	C-R	417040	5646OSR	JN-MN	417538*	56793698	IG-RA	456648
55X78X10SC	TRSCM	55X78X10	5615B	JN-MN	416666*	5647	C-R	471281!	5679R	JN-MN	417298*
55X78X10TC	TRSCM	55X78X10	56160	C-R	417040	5647B	JN-MN	474265	568008A	HARWA	56X80X8
55X80X8SC	TRSCM	55X80X8	5616B	JN-MN	417554!	5648	C-R	471281!	56801S	TROS	471267!
55X80X8TC	TRSCM	55X80X8	56178	TROS	205017	5649	NATL	370047A	568020R91	IH	471571
55X82X12SC	TRSCM	55X82X12!	5617B	JN-MN	455480!*	5649B	JN-MN	417554!*	56803A	WHITE	471689!
55X82X12TC	TRSCM	55X82X12!	5618	C-R	471281!	5650	C-R	471281 =	5681410	GMC	8059S
55X85X10SC	TRSCM	55X85X10	561892R91	IH	470954!	5651R	JN-MN	417273*	5682846	GMC	471267!
55X85X10TC	TRSCM	55X85X10	5619SH	JN-MN	473228	5652	C-R	471281!	5682898	GMC	PSK-1
55X85X8ASN(32)	ISP	55X85X8	5619SS	JN-MN	473228!*	56520	TROS	471652	5683	C-R	471281!
55X88X8SC	TRSCM	55X88X8	561W4	C-R	417507!	56520	TROS	482208!	5683373	GMC	PSK-1
55X88X8TC	TRSCM	55X88X8	561W4	C-R	417507	565280	CHRYSL	470898!	5683898	GMC	8059S
55X90X13SC	TRSCM	55X90X13	561W4-M1	C-R	417507	5652R	JN-MN	415034!	568403	CHRYSL	473215!
55X90X13TC	TRSCM	55X90X13	561W4-M1	C-R	417507!	5653	C-R	471281!	568404	CHRYSL	473215!

! Industrial Size/Type * Minor Width Difference

= The U.S. customer service number is 877-4-TIMKEN. The Canadian customer service numbers are 800-565-4927 (English) and 800-565-0438 (French-Canadian).

NUMERICAL INTERCHANGE

Mfr. No.	Name	Zero Duplication or Recommended Industrial	Mfr. No.	Name	Zero Duplication or Recommended Industrial	Mfr. No.	Name	Zero Duplication or Recommended Industrial	Mfr. No.	Name	Zero Duplication or Recommended Industrial
568452	CHRY	450467	570793	CHRY	472409!	573022311	EL-MO	417349!	5737	C-R	471551!
5685	C-R	471281!	57080	C-R	145X164X14!	573022312	EL-MO	470898	5737LA	JN-MN	472394
56851	GMC	473419	57080	C-R	145X164X15!*	573022313	EL-MO	416404!	5737LUP	JN-MN	472394
5685355	GMC	PSK-1	57080	C-R	710369	573022314	EL-MO	473228!	5738LA	JN-MN	473462
5685524	GMC	7013S	57085D	IH	417316!	573022315	EL-MO	471424!	5739	C-R	471551!
56860	TROS	1049	570D6	WHITE	6270	573022316	EL-MO	472179	5739LA	JN-MN	472397!
56861	GMC	476838!	57110	C-R	145X170X12*	573022321	EL-MO	471950	573H422-T8	C-R	415284
5686644	GMC	7013S	57118	C-R	145X175X15	573022322	EL-MO	471652	57403D	IH	472015!
568674	CHRY	472394	57120	C-R	145X175X15	573022327	EL-MO	473233!	5740LA	JN-MN	472397!
568688	CHRY	472016	57120	TROS	44052	573022328	EL-MO	475568=	5741SH	JN-MN	412920!
568690	GMC	470059	57121	TROS	6954S	573022332	EL-MO	476341=	57420	TROS	6930
568690	GMC	470380!	57122	TROS	44053	573022333	EL-MO	472258!	57421	TROS	7044NA
568767R91	IH	240731	57125	C-R	145X180X12	573022334	EL-MO	470380!	574238R91	IH	240731
568769R91	IH	473438	5712B	JN-MN	416273!	573022335	EL-MO	416332!	574239R91	IH	472311!
568770R91	IH	415458!	5714B	JN-MN	473501!	573022336	EL-MO	473204	574362	CHRY	455336
5688020	GMC	471538	5715	FULLE	472179	573022337	EL-MO	412040	574384	CHRY	455336
5689	SPG	228020	57160	TROS	473317	573022338	EL-MO	471341!	574389R91	IH	240736
5689	SPG	80X105X13!	57160S	TROS	473317	573022355	EL-MO	474278!	5743LA	JN-MN	413478*
5689B	JN-MN	457874*	5717	C-R	471535!	573022357	EL-MO	471570!	5744	C-R	415041*
5690	C-R	471281!	5718	C-R	471535!	573022358	EL-MO	471692!	57440	TROS	5126
56903	JOY	415138!	57196	US-EL	416339	573022359	EL-MO	472164!	574424	C-R	415138!*
5690LPD	JN-MN	473445*	57196	US-EL	455031!	573022360	EL-MO	472397!	5744LA	JN-MN	455079!
5691484	GMC	472164!	5719OSR	JN-MN	471567!*	573022361	EL-MO	470712!	5744LUP	JN-MN	455079!
569186	US-EL	472185!	572	C-R	5M289	573022362	EL-MO	473445	574562	CHRY	455249!
5692683	GMC	471264!	5720	C-R	471535!	573022363	EL-MO	470961=	574563	CHRY	455249!
5696537	GMC	7399S!	57202	TROS	415064	573022374	EL-MO	470590	5745LA	JN-MN	417343!
569682	US-EL	472164!	57203	TROS	417480!	573022375	EL-MO	295113=	5745LUP	JN-MN	417343!
569684	US-EL	472185!	572050401	EL-MO	412040	573022378	EL-MO	471835!	5746LA	JN-MN	455151
569686	US-EL	415988	572056811	EL-MO	40097S	573022379	EL-MO	471255!	5747LA	JN-MN	415960
5696LUP	JN-MN	474281!	5720LA	JN-MN	471570!*	573022380	EL-MO	416288!	5748LA	JN-MN	476470
5699	C-R	450536	5720LPD	JN-MN	471570!	573022381	EL-MO	416041	5749LA	JN-MN	416158*
5699	C-R	471535!	5721	C-R	471535!	573022385	EL-MO	470605!	574W4	C-R	415041
569D6	DIA	5408	572106	Y-T	411253!	573022386	EL-MO	416345!	574W42	C-R	415371
569D6	WHITE	5408	572178	US-EL	472185=	573022387	EL-MO	471554!	574W420	C-R	415371
569W328	C-R	456618	5722	SKIL	481537	573022388	EL-MO	416380!	57502R	TROS	472164
56H7688	FORD	340797	5722LA	JN-MN	471760*	573022389	EL-MO	416345!	57505	C-R	415447*
56X68X10SC	TRSCM	56X68X10	5723LA	JN-MN	450342	573022390	EL-MO	416664!	57507	C-R	415447
56X68X10TC	TRSCM	56X68X10	5723LUP	JN-MN	450342	573022391	EL-MO	470380!	57508	C-R	417362!
56X70X8AN	ISP	56X70X8	57240	TROS	410825	573022392	EL-MO	471424!	57509	C-R	417362*
56X72X115SC	TRSCM	56X72X11.5	57248	NATL	39732	573022393	EL-MO	471646!	5750LA	JN-MN	472572!
56X72X115TC	TRSCM	56X72X11.5	5724LA	JN-MN	471762!	573022394	EL-MO	450593!	57510	C-R	417362!
56X72X7ASN	ISP	56X72X7	5724LPD	JN-MN	471762!	573022395	EL-MO	471571	57511	C-R	417362!
56X80X8	SIMRT	56X80X8	572571	CHRY	473438	573022397	EL-MO	471692!	57512	C-R	417362!
56X80X8SC	TRSCM	56X80X8	5725LA	JN-MN	471763*	573022398	EL-MO	252277	57513	C-R	417362!
56X80X8TC	TRSCM	56X80X8	57269	US-EL	340787	5730223C18	EL-MO	41081S=	57514	C-R	417362!
56X82X8SC	TRSCM	56X82X8	5726LA	JN-MN	471354!*	5730LA	JN-MN	473214	57516	C-R	417363
56X82X8TC	TRSCM	56X82X8	5727LA	JN-MN	471766!	5731LA	JN-MN	470950!	57517	C-R	417363
56X85X8	FORSH	56X85X8	5728LA	JN-MN	471787!	5731LA	JN-MN	6241S	57518	C-R	417363
56X85X8	SIMRT	56X85X8	5728LUP	JN-MN	471787!	5731LPD	JN-MN	470950!	57519	C-R	417363
56X85X8SC	TRSCM	56X85X8	572915	ADAMS	471224!	5731LPD	JN-MN	6241S	5752	HYST	416339
56X85X8TC	TRSCM	56X85X8	5729496	GMC	416654=	573248101	EL-MO	471466=	5752	HYST	455031!
56X88X8SC	TRSCM	56X88X8	5729LA	JN-MN	450165	573248102	EL-MO	471267=	57520	C-R	416666
56X88X8TC	TRSCM	56X88X8	5729LA	JN-MN	471801!	573248103	EL-MO	471224=	57520S	TROS	471652
56X90X8SC	TRSCM	56X90X8	5729LUP	JN-MN	450165	573248104	EL-MO	471413=	57520S	TROS	482208!
56X90X8TC	TRSCM	56X90X8	5729LUP	JN-MN	471801!	573248105	EL-MO	480630=	57521	C-R	416666*
57	MYERS	473420	572A4	WHITE	412119!	573248106	EL-MO	472439=	57522	C-R	417362=
57	UNIVE	472951	573	C-R	5M293	573259R91	IH	473214	57523	C-R	416666=
57	UNIVE	474252	573022207	EL-MO	J1111	5732LA	JN-MN	473226*	57528	C-R	416666
5700207	GMC	42352S	573022209	EL-MO	J1109	5732LUP	JN-MN	473226	57529	C-R	416666
5700208	GMC	343186	573022218	EL-MO	J1127	5733	WMG	472016	5752B	HYST	416339
5700222	GMC	471535!	573022220	EL-MO	J1125	5733LA	JN-MN	470059	5752B	HYST	455031!
5700223	GMC	471646!	573022227	EL-MO	JV1117=	5733LA	JN-MN	470380!	57530	C-R	416666
5700224	GMC	471766!	573022301	EL-MO	471466!	57340	TROS	470487!	57531	C-R	416666*
5700225	GMC	471787	573022302	EL-MO	471267!	5734LA	JN-MN	473440!*	575316	C-R	455396
5700227	GMC	474278!	573022303	EL-MO	471224!	5734LUP	JN-MN	473440!	575318	C-R	455402=
5700SS	JN-MN	472311!	573022304	EL-MO	471413!	573515010	EL-MO	415483	575320	C-R	455436=
5704	NATL	450666	573022305	EL-MO	480630!	573515011	EL-MO	473237!	5754	C-R	415041
5705	C-R	450536	573022306	EL-MO	472439	573515014	EL-MO	417344!	5754	GOODM	415041
5705	C-R	471535!	573022307	EL-MO	471272!	5735316	B-L-H	471737	57540	C-R	416666*
5706	C-R	471535!*	573022308	EL-MO	417621!	5735LA	JN-MN	473234	57540S	TROS	354335
5706LA	JN-MN	415458!	573022309	EL-MO	472015!	57360S	TROS	7686S	57540S	TROS	474278!
5707	C-R	471535!*	573022310	EL-MO	473231!	5736LA	JN-MN	472179	575410	C-R	417520

! Industrial Size/Type *Minor Width Difference

=The U.S. customer service number is 877-4-TIMKEN. The Canadian customer service numbers are 800-565-4927 (English) and 800-565-0438 (French-Canadian).

Mfr. No.	Name	Zero Duplication or Recommended Industrial	Mfr. No.	Name	Zero Duplication or Recommended Industrial	Mfr. No.	Name	Zero Duplication or Recommended Industrial	Mfr. No.	Name	Zero Duplication or Recommended Industrial
575410M1	C-R	417520	5772	SPG	471141!	5804	C-R	15X25X6!	58461S	TROS	473452
575412	C-R	415047	5772A	C-R	471827	5804	C-R	221510*	5847	C-R	15X35X7V
575412M1	C-R	415047	5772LA	JN-MN	470334!	5804SS	JN-MN	472258!	5848	C-R	15X35X7V
575414	C-R	417525	5772LUP	JN-MN	470334!	5805	C-R	15X26X7	584913R91	IH	472193!
575414M1	C-R	417525	57732	MC-CL	481443!	5806	C-R	15X26X7!	585-1151	SPICE	4561V
575416	C-R	416892!	577321	MC-CL	481443!	58065D	IH	472179	58502R	TROS	7018N=
575416 CABOT		416892!	5773LA	JN-MN	414045!	5807	C-R	15X26X7!	585050	CHRY	470625!
575416M1	C-R	416892!	57764	GRAY	471766	5808	C-R	15X25X5!	5850D-2011	Y-T	470605!
575418	C-R	417533	57773	US-EL	415035!	5808	C-R	221510	5850SS	JN-MN	472705!
575418M1	C-R	417533	57773	US-EL	415035	5808	NATL	221510	58519	REX	295200=
575419	C-R	415371	5778	SPG	5778	580920	BR-WN	J1138	58519	REX	416888!
575419 TROS		331227H	5779	HYST	473438	580980C1	IH	473454	5853-K300047	Y-T	415449!
575420	C-R	415371	578010	CHRY	455151	580981C1	IH	473010	5853-K304268	Y-T	415379
575420 MINMA		415371	578011	CHRY	455151	5810	C-R	15X28X7	5853-K304268	Y-T	415379!
575420M1	C-R	415371	5780SS	JN-MN	471570!	58101	TROS	7107A=	5853LA	JN-MN	451583!*
575422	C-R	415284	5781LA	JN-MN	472924!	58102	TROS	7107A=	58550	ALLCH	472179
575422M1	C-R	415284	5782	CATER	450269	58116	MASTE	340413	5855LA	JN-MN	471684!
575423C91	IH	711552	5782	TMTR	470334!	5812	C-R	15X28X7	58560	TROS	1041
575424	C-R	415138!	5782LA	JN-MN	471466!	5813	SPG	450307	58561S	TROS	471344
575424 GOODM		415138!	57840S	TROS	7188S	581333R91	IH	471766!	5857LA	JN-MN	471571*
575424 GR-DV		415138!	57841	TROS	40494S	58142	CARDX	410694!	585943-C91	IH	HU110A
575424M1	C-R	415138!	578576	ALLCH	205017	5815	SPG	6064	585K-15	Y-T	352541
575426	C-R	455251H	57883	HYST	470409!	581646	IH	476838!	585K-19	Y-T	471821!
57542S	TROS	471827	57883	HYST	50409	581646R91	IH	476838!	585K-21	Y-T	455685
57544	C-R	415043	578913-C1	IH	370057A	5820	C-R	15X30X7!	585K-22	Y-T	415196!
57544M1	C-R	415043	578982	MC-CL	481481	5820	C-R	221540	585K-23	Y-T	472394
57546	C-R	417514	5790	C-R	15X24X7!	58201S	TROS	5499=	585K-24	Y-T	472397!
57548	C-R	415045!	5790	C-R	2027	5821	C-R	15X30X7!	585K-25	Y-T	410737!
57548M1	C-R	415045!	5792	NATL	473450!	5821	C-R	221540	585K-26	Y-T	472636!
57549	HYST	471272!	579207	GMC	8139	5821	SPG	470898	585K-28	Y-T	416556!
5754M1	C-R	415041	5792LUP	JN-MN	55X72X8!	5821SS	JN-MN	470625!	585K-28	Y-T	472157
5755	C-R	471551!	57936	HYST	40494S	5823	HYST	J1129	585K-32	Y-T	417344!
575583	CHRY	415041	5793SH	JN-MN	471689*	58235078	MACK	AR25	585K-34	Y-T	471821!
575584	CHRY	415041	5793SS	JN-MN	471689!	582413R91	IH	472185!	585K-36	Y-T	40576S
5756	C-R	471551!	579432	GMC	7607	582587C91	IH	370192A	585K-39	Y-T	470088
57578	C-R	417364	579651	ALLCH	473461!	582587C91	NAVST	370192A	585K-415	Y-T	471424!
57580	C-R	416029N!	579908	ALLCH	204017	5825LA	JN-MN	55155=	585K-45	Y-T	472397!
57581	C-R	416029	57F	CLARK	240319	5825LUP	JN-MN	55155=	585K-46	Y-T	471271!
57581	C-R	416029N!	57G	CLARK	417267	5826LA	JN-MN	472439	585K-47	Y-T	471349
57584	C-R	416039	57GC186A	MACK	5645	5826LPD	JN-MN	472439	585K13	Y-T	471646!
5758B	JN-MN	416107!	57GC186B	MACK	5645	5827B	JN-MN	471689!	585S-35	Y-T	40568S
5758B	JN-MN	455073	57GC187A	MACK	5039	5828R	JN-MN	472144!*	585S-36	Y-T	40576S
57599	C-R	148X170X15	57X85X13SC	TRSCM	57X85X13	5830	C-R	15X32X8	585S-37	Y-T	417267
575B420	C-R	415371	57X85X13TC	TRSCM	57X85X13	5830153	GMC	471766* =	585S-413	Y-T	472394
575CP416-L	C-R	416892!	5800	C-R	15X24X7	5830526	GMC	455024	5860	C-R	15X37X6
575H424-T8-L	C-R	415138!	580028B	SPG	712133	5830SS	JN-MN	471192	586089	CHRY	5M867
575M426-L	C-R	455251H*	580036C	SPG	580036	5831	C-R	15X32X7!	5861AB	JOHND	474264
575W4	C-R	415041*	580046	SPG	580046	5831	C-R	15X32X8!*	58640S	TROS	3103!
576	AMC	450033	580048C	SPG	580048	5831355	GMC	470954	58641	AM WH	470530!
5760R	JN-MN	415991	580050C	SPG	580050	5831LA	JN-MN	481073	58645C91	IH	471737
5760R	JN-MN	455146!	580058	SPG	224520	5831LUP	JN-MN	481073	58660S	TROS	321460
576209	CHRY	415041	580058C	SPG	580058	5832	C-R	15X32X7V	5867R	JN-MN	472185!
5764	C-R	471551!	580085C	SPG	580085	5833	SPG	473228	58685D	IH	410059
5764	TMTR	473238	5801	NATL	414045!	583329R91	IH	240736	58685D	IH	470380!
5764SS	JN-MN	471733	5801	WMG	414045!	583388C91	IH	100263	58698	AM WH	450474
5765	C-R	471551!	580154C	SPG	580154	583388C91	IH	3905	5870	C-R	15X38X7
5765LA	JN-MN	474255	5802	C-R	15X24X7!	5835	C-R	15X32X7V	58700	C-R	55392=
57661S	TROS	471195!	5802	C-R	2027	5837	C-R	15X32X8!	58702	TROS	5072
576755TA	TRSCM	417362!	5803	C-R	221510	5839	C-R	15X32X7V	58707	C-R	55392=
57688R91	IH	456618	580306C	SPG	580306	58394	EATON	370021A	5870R	JN-MN	55155* =
576DMM422-T8	C-R	415284	580315C	SPG	228008	584	C-R	5M356	58712	C-R	416476!
576DMM426-L	C-R	75251S	580315C	SPG	580315	5840	C-R	15X35X7	58715	C-R	416476!
576W4-M1	C-R	370036A	580316C	SPG	3771	5841	C-R	15X35X7!	58715TA	TRSCM	416476!
576W4-M1	C-R	370349A	580353C	SPG	580353	5841LA	JN-MN	470354*	58715TA	TRSCM	417364
576W4-M1	C-R	380036A	580365C	SPG	580365	5842	C-R	15X35X7!	58716	C-R	416476!
576W4-T8	C-R	370036A	580385C	SPG	320595	58423D	IH	415196!	58736	C-R	416476!
576W4-T8	C-R	370349A	580386C	SPG	580386	584346R91	IH	415379	587372	C-R	472020
576W4-T8	C-R	380036A	580387C	SPG	580387	5844	US-EL	413246	58741	C-R	416476!*
5770	NATL	225010	580388C	SPG	580388	58440	TROS	7216	587416	C-R	417531
5770LUP	JN-MN	416654!	580389C	SPG	580389	5844R	JN-MN	471424!*	587420	C-R	455685
5770OSR	JN-MN	416654!	580390C	SPG	710308	5845	C-R	15X35X7	587424	C-R	417538
5771LA	JN-MN	415001!	580391C	SPG	222743	5846	SPG	6064	587424M1	C-R	417538

! Industrial Size/Type * Minor Width Difference

= The U.S. customer service number is 877-4-TIMKEN. The Canadian customer service numbers are 800-565-4927 (English) and 800-565-0438 (French-Canadian).

NUMERICAL INTERCHANGE

Mfr. No.	Name	Zero Duplication or Recommended Industrial	Mfr. No.	Name	Zero Duplication or Recommended Industrial	Mfr. No.	Name	Zero Duplication or Recommended Industrial	Mfr. No.	Name	Zero Duplication or Recommended Industrial
5875	SPG	455280	59035	ALLCH	417487	592441	GMC	414045!	5957B	JN-MN	416891!
58751	C-R	416476!	590358	C-R	415124	592480	C-R	417603!	59586R91	IH	473463
587541	CHRY5	5921	59036	ALLCH	471272!	592483	C-R	415128	59587	VIC	472179
587542	CHRY5	55337	590448	C-R	455966	5925	C-R	471532*	59587R91	IH	473463
58756	C-R	416476!	590504	C-R	415090	5925SS	JN-MN	481568!*	595985	NEHO	713117
58760	C-R	455297*	590534	C-R	455462	5926	C-R	471532	5959R	JN-MN	417316!
587760	CHRY5	412473!	5905LA	JN-MN	472157	5926LA	JN-MN	417254*	596	C-R	5M403
587778	GMC	472082	5905LA	JN-MN	472157!	5926LUP	JN-MN	417254*	596-D2-11	REO	370007A
5877LA	JN-MN	417780*	590609	C-R	33X50X12!	592791	C-R	270X310X16	596-D2-13	REO	370007A
5877YK	JOHND	204035	59061	C-R	150X180X15!	592860	GMC	414045!	596-D2-14	REO	370007A
587809R91	IH	472164!	59061	C-R	150X180X15V!	59292195	BUC-E	415196!	596-D2-15	REO	370007A
58787	C-R	3016	59063	C-R	150X180X12*	593138	C-R	455462	596-D2-2	REO	370001A
58787	C-R	456052	5906LA	JN-MN	418028	5931LUP	JN-MN	416071*	596-D2-39	REO	3700057A
587H41-L	C-R	6864S	5906LA	JN-MN	455137!	593256	CHRY5	473464!	596-D2-4	REO	370001A
587W212-L	C-R	5487	590733	C-R	417602!	593256	CHRY5	473464	596-D2-40	REO	3700057A
5880	C-R	15X40X7	590734	C-R	455123	593258	CHRY5	410737!	596-D2-45	REO	3700057A
58801S	TROS	7013S	590740	C-R	415124	593260	CHRY5	415458!	596-D2-50	REO	370001A
5880LA	JN-MN	450039*	590746	C-R	417022	59328	SPG	470328	596-D2-6	REO	370001A
5880LPD	JN-MN	450039*	590751	C-R	417604	59328	SPG	481213!	596-D238	REO	370007A
58821	MASTE	471765!	590754	C-R	417604	5933	C-R	471532	5961	NATL	370036A
5883	C-R	15X40X7	590770	C-R	415128	5934	C-R	471532	59614	ALLCH	416339
5883SS	JN-MN	471526!	590780	C-R	455129	59340	C-R	417780	59614	ALLCH	455031!
58843	MASTE	471571	590781	C-R	455129	593467	C-R	415219*	596144C1	IH	713750
58846	KELSE	442251	590786	C-R	415090	59350	C-R	417780*	59615	ALLCH	415072
588510A	HARWA	58X85X10	590787	C-R	415090	59351	C-R	417780*	5961LA	JN-MN	417349*
588737R91	IH	472193!	590789	C-R	415090	59352	C-R	417780	5961LUP	JN-MN	417349!
588964	CHRY5	472016	590798	C-R	415219	593596	CHRY5	410308!	596309C-91	IH	9773
588978C91	IH	417484	5907LPD	JN-MN	416865!	593743	C-R	455462*	596310C91	IH	416654
589013C	HARWA	58X90X10	590800	C-R	55078S	59380	C-R	8907	596311C91	IH	412473
589208	CHRY5	472394	590816	C-R	417606	5938LA	JN-MN	415116	596312C91	IH	415458
5892LPD	JN-MN	410102	590820	C-R	417606	593916R91	IH	417492	596313C91	IH	712937
589305	CHRY5	473457!	59103051D	AUDI	BS16144	59395	HYST	415001!	596351	CHRY5	472164!
5893B	JN-MN	471868*	59105H	IH	5M867	5939LA	JN-MN	417604	596372C1	IH	417484
5894	FULLE	415995!	5910LA	JN-MN	415034!	594	ROCKW	473231	5963SH	JN-MN	417267
589D1	WHITE	472924!	5910LPD	JN-MN	415034!*	59401	TROS	5320=	596430C91	IH	330749V
58N1617	WGEAR	472299	591135	C-R	455476	59401D	IH	473010!	596430C92	IH	39920
58R035	SHOV	415058	5911R	JN-MN	55193=	594186	C-R	396412=	5964A	C-R	416921!
58R037	SHOV	55353	59120S	TROS	9150S	5943B	JN-MN	450040	596555C1	IH	370001A
58R040	SHOV	417316!	59121	HYST	416404!	594447R91	CASE	471516!	596556C1	IH	370121A
58T002	SHOV	470059	5912756	GMC	471647	594463-1	SPICE	417191	5965R	JN-MN	472144!*
58T002	SHOV	470380!	591331	CLARK	470530!	594463-1	SPICE	455165!	5966	C-R	471558*
58T063	SHOV	470059	591331	GMC	470530!	594463-2	SPICE	417191	59660	TROS	415449
58T063	SHOV	470380!	59134	GRAY	472016	594463-2	SPICE	455165!	596602C91	IH	473274
58T067	SHOV	417269!	59138	ESSIC	50345=	5946	C-R	471532*	596602C91	NAVST	4561V
58T082	SHOV	470059	59140	TROS	411348!	594639	Y-T	55353	59660S	TROS	415449
58T082	SHOV	470380!	591448	GMC	471341!	594672	EATON	415991	596623	ACF	413246
58T083	SHOV	411376!	59148L	C-R	55333=	594672	EATON	455146!	59675DA	IH	70146=
58T089	SHOV	415498	5915	NATL	473228	59468	BUDD	5970=	596D6	WHITE	5408
58X-1868R3	MACK	442874	59160S	TROS	203008	5947	FULLE	415991	597	C-R	5M406=
58X72X8SC	TRSCM	58X72X8	591771C91	IH	415483	5947	FULLE	455146!	5970	NATL	203034
58X72X8TC	TRSCM	58X72X8	591829C91	IH	471413	594702R91	CASE	5027	59701	TROS	5092
58X75X11SC	TRSCM	58X75X11!	591830C91	IH	471267!	594703R1	CASE	5027	59702	TROS	5072
58X75X11TC	TRSCM	58X75X11!	591831C91	IH	470954!	5949	C-R	473405*	5971	C-R	471558*
58X80X8SC	TRSCM	58X80X8	591832C91	IH	471267!	594962C1	IH	370003A	597138	ACF	416865!
58X80X8TC	TRSCM	58X80X8	591833C91	IH	470380!	594963C1	IH	370023A	597147C1	IH	477163N
58X85X10	SIMRT	58X85X10	591834C91	IH	482163!	594964C1	IH	370048A	597324C1	IH	416364!
58X85X10AN(35)	ISP	58X85X10	591835C91	IH	470088	594965C1	IH	370150A	5973LA	JN-MN	415072*
58X85X13SC	TRSCM	58X85X13	591836C91	IH	417484!	594966C1	IH	370124A	5974746	FIAT	713031
58X85X13TC	TRSCM	58X85X13	591838C91	IH	470954	594967C1	IH	370131A	597546R91	IH	7186S
58X88X8SC	TRSCM	58X88X8	591843C1	IH	240816	5949B	JN-MN	472924!	5976	C-R	471558
58X88X8TC	TRSCM	58X88X8	591844C91	IH	471413!	5950	C-R	473405*	59760S	TROS	335924N
58X90X10	SIMRT	58X90X10	591845C91	IH	473231!	5950	FULLE	417488!	597621C1	IH	471271!
59005	C-R	150X180X12	591846C91	IH	710029	5950B	JN-MN	480630!	597702R91	CASE	5027
590062	C-R	456462	591847C91	IH	710021	595169R91	IH	471272!	5978LA	JN-MN	415196!
59010	C-R	150X180X12*	591896R91	IH	472185!	595206R91	IH	470380!	597OF60	FRUEH	203034
59010	C-R	150X180X15!	5919	NATL	200354	59520S	TROS	331107N	598	HYST	470059
590133	C-R	55239=	591978	C-R	417022	59524	MASTE	450593!	598	HYST	470380!
59015A	HERCU	473240!	5919S	WGM	204002	59540S	TROS	472354!	5980LA	JN-MN	415128
590246	C-R	55223=	5920B	JN-MN	480630!	5955	C-R	473405	5983LA	JN-MN	472287!
5903	EATON	415995!	5922	SPG	455151	5956	C-R	473405	5984	EATON	417181!
5903	FULLE	415995!	592237	C-R	417602!	595638	GMC	470606!	5984	FULLE	417181!
590312	C-R	455123	592358	C-R	417567	5956LA	JN-MN	455310	5984	SPG	471526!

! Industrial Size/Type * Minor Width Difference

= The U.S. customer service number is 877-4-TIMKEN. The Canadian customer service numbers are 800-565-4927 (English) and 800-565-0438 (French-Canadian).

Mfr. No.	Name	Zero Duplication or Recommended Industrial	Mfr. No.	Name	Zero Duplication or Recommended Industrial	Mfr. No.	Name	Zero Duplication or Recommended Industrial	Mfr. No.	Name	Zero Duplication or Recommended Industrial
598462	CHRY5	455336	5D2796	CATER	481213!	5NH20	GEM	471689!	60-42213	B-L-H	471231!
598484	JN-MN	471579	5D505	CATER	455566	5NH20	ROSS	471689!	60-463-10-1X	SPICE	39925
5984LPD	JN-MN	471579	5D6767	CATER	417247!	5P-1884	CATER	330699	600 UNIVE		415072 *
5985	C-R	471564	5F0549	CATER	411394!	5P0547	CATER	471442!	600-501-317A	VW	370047A
59854	DGASK	17748	5F1220	CATER	416476!	5P0711	CATER	471526!	60000 C-R		2297V!
59860	TROS	1010=	5F2422	CATER	471766!	5P0713	CATER	417350	60000 C-R		39807
5986LA	JN-MN	471689!	5F2463	CATER	455117	5P0796	CATER	330699	6000029	GW	473228!
598794	CHRY5	411253!	5F3178	CATER	415025	5P1072	CATER	493524	60001 VIC		350364
5987LA	JN-MN	472843	5F4258	CATER	471766!	5P1412	LETN	471750!	600016	WAYNE	473227!
59881C1	IH	417366!	5F4258	WESTR	471766	5P1415	ADAMS	471750!	600017	WAYNE	471224!
5988LA	JN-MN	450090	5F4624	CATER	472016	5P1415	WABCO	471750!	600017C	SPG	600017
599	ROCKW	471553!	5F5422	CATER	471766!	5P1435	ADAMS	470530!	600027C	SPG	600027
599086	CHRY5	470774!	5F549	CATER	411394!	5P1436	ADAMS	473215!	60003 C-R		417365
5991LA	JN-MN	417532 *	5F5797	CATER	472179	5P1436	WABCO	473215!	60003LDS	JN-MN	417507
5991LUP	JN-MN	417532	5F5798	CATER	450307	5P1502	ADAMS	476838!	60004 C-R		417365
59920	DGASK	17720	5F7730	CATER	47546!	5P1502	LETN	476838!	600045C	SPG	600045
5992SH	JN-MN	470954!	5F7731	CATER	415072	5P1555	ADAMS	455008	600047C	SPG	600047
5992SS	JN-MN	470954! *	5H0033	CATER	415001	5P1713	CATER	471192	600048C	SPG	600048
5993SS	JN-MN	450400	5H1190	CATER	471466!	5P1788	ADAMS	473238	600050	SPG	600050
599428M1	C-R	416167!	5H2184	CATER	472705!	5P1788	LETN	473238	600056C	SPG	600056
59946	DGASK	17746	5H3789	CATER	472164!	5P3118	CATER	471195=	600058C	SPG	600058
599463	CHRY5	471829	5H3792	CATER	411376!	5P3262	CATER	472572!	60006 C-R		415683
59948	DGASK	17748	5H4742	CATER	470380!	5P3412	CATER	471764!	600062C	SPG	600062
59959D	IH	416556!	5H4856	CATER	240736	5P4251	CATER	416919	600063C	SPG	600063
59959D	IH	472157	5H4894	CATER	416865	5P4258	CATER	415458	600067281	LUF	473463
5995SH	JN-MN	471532 *	5H4904	CATER	416476	5P5299	CATER	417172	600069	ACF	471224!
59960	DGASK	17760	5H5021	CATER	471689!	5P547	CATER	471442!	600071C	SPG	600071
5996256	FIAT	713059	5H5241	CATER	471554!	5P6780	CATER	473416	600072C	SPG	600072
59980	DGASK	17780	5H572	CATER	472397!	5P6859	CATER	7188S	60008 C-R		415072 *
5999	SPG	470625!	5H5879	CATER	471621!	5P6860	CATER	471413=	600085C	SPG	600085
59995	DGASK	17795	5H6012	CATER	471766!	5P6868	CATER	415196!	600091V	SPG	600091
599957	GE	471255!	5H6012	TMTR	471766!	5P7003	CATER	417603!	600092C	SPG	600092
59997	C-R	39807	5H6012	WESTR	471766!	5P7032	CATER	3894V	60010 C-R		415072 *
59999	C-R	2297V!	5H6136	CATER	7840S	5P713	CATER	417350!	60010 VIC		471103!
599D6	WHITE	6635S	5H6406	CATER	313043 *=	5P7608	CATER	415449!	600103C	SPG	600103
599HMS422-T8	C-R	417535	5H7628	CATER	471554!	5P769	ADAMS	415001!	60011 C-R		415072 *
59N1617	WGEAR	415991	5H9753	CATER	470334!	5P796	CATER	330699	600112C	SPG	600112
59N1617	WGEAR	455146!	5J3620	CATER	710042	5P8216	CATER	7188S	600116C	SPG	600116
5A174A	FAIRB	473228	5J3868	CATER	415437	5P8450	CATER	456483 *=	600121C	SPG	600121
5A374A	FAIRB	472397!	5J3937	CATER	40433S	5P854	ADAMS	470334!	600123C	SPG	600123
5A43	WHITE	471231!	5J3942	CATER	447060	5P9294	CATER	471442	600129C	SPG	600129
5A474A	FAIRB	411376!	5J3944	CATER	417596	5P9440	CATER	471554	60013 VIC		471579
5A530	CATER	415023	5J8200	CATER	710040	5R2218	CATER	240698	600139	ACF	471224
5A574A	FAIRB	417316!	5J8225	CATER	710041	5S2106	CATER	472653	60014 VIC		50010
5A809	CATER	471570!	5J964	CATER	710034	5S4408	CATER	415007 *	600141C	SPG	600141
5A810	CATER	471281!	5J9969	CATER	417349	5S4408	CATER	417483	6001465	CLARK	415725!
5A874A	FAIRB	471766!	5K0658	CATER	417316!	5S4433	CATER	446631=	60015 C-R		415072
5AL1041	OLIVE	204035	5K0983	CATER	417210!	5S6296	CATER	3813	600150C	SPG	600150
5AL1041	WHITE	204035	5K2595	CATER	415995!	5S6620	CATER	482230N	600157C	SPG	600157
5AL1511	OLIVE	6590S	5K658	CATER	417316!	5S6622	CATER	482230N	60015LDS	JN-MN	417556
5AL1514	OLIVE	470059	5K983	CATER	471210!	5S9022	CATER	2628!	60016 C-R		415072 *
5AL1514	OLIVE	470380!	5L4757	CATER	415146!	5T1012	HU-WR	473016!	600164C	SPG	600164
5AL4950	OLIVE	340815	5L4757	CATER	415991	5T1013	HU-WR	472157!	600166C	SPG	600166
5B0653	CATER	416666	5L4776	CATER	471271!	5T1013	HU-WR	472157	600167C	SPG	600167
5B0760	CATER	471747!	5L5885	CATER	456030N *=	5T1014	HU-WR	472439	600168C	SPG	600168
5B1224	CATER	473232	5L8925	CATER	471766!	5T1015	HU-WR	417191	600170C	SPG	600170
5B1395	CATER	415196!	5LT1520	MINNM	417433	5T1015	HU-WR	456585	600178C	SPG	600178
5B2169	CATER	471785!	5LT1520	OLIVE	417433	5T1220	HU-WR	416332!	600182C	SPG	600182
5B2963	CATER	472636!	5LT1534	OLIVE	473214!	5T1225	HU-WR	415196!	600189	SPG	600189
5B505	CATER	455566	5LT1547	OLIVE	471870!	5T1228	HU-WR	415074	6001904	CLARK	472924!
5B6129	CATER	471785!	5M0278	CATER	417487!	5X1034	ROCKW	OK1034	600197	DENCO	472636!
5B6365	CATER	450173	5M0278	CATER	417487	5X7501	CATER	415116	6001LA	JN-MN	473231
5B653	CATER	416666	5M278	CATER	417487!	5X9263	CATER	471760	600203C	SPG	600203
5B7017	CATER	410694!	5M278	CATER	417487	5Y158	FED	5408	600204C	SPG	600204
5B734	CATER	472164!	5M9734	CATER	471649!	5Y203	FED	5401	6002061	CLARK	415294!
5B9332	CATER	472636!	5M9735	CATER	471787!	5Y204	FED	5403	6002077	CLARK	416865!
5CM1120	OLIVE	471737=	5M9736	CATER	472287!	5Y205	FED	5405	6002085	CLARK	455129
5CM2023	OLIVE	200354	5M9737	CATER	473229	6-3007	SPICE	442380	600208C	SPG	600208
5D0505	CATER	455566	5M9738	CATER	472164!	6-PS221	C-P	472492!	6002098	CLARK	417606
5D103	CATER	JV1704=	5M9739	CATER	473462	6-SPC22	NOVO	472179	6002105	CLARK	416476!
5D1962	CATER	315364=	5M9740	CATER	411253!	60-04617	B-L-H	415035	600210C	SPG	600210
5D2796	CATER	470328	5N4779	CATER	470605!	60-04617	B-L-H	415035!	600212C	SPG	600212

! Industrial Size/Type * Minor Width Difference

= The U.S. customer service number is 877-4-TIMKEN. The Canadian customer service numbers are 800-565-4927 (English) and 800-565-0438 (French-Canadian).

NUMERICAL INTERCHANGE

Mfr. No.	Name	Zero Duplication or Recommended Industrial	Mfr. No.	Name	Zero Duplication or Recommended Industrial	Mfr. No.	Name	Zero Duplication or Recommended Industrial	Mfr. No.	Name	Zero Duplication or Recommended Industrial
6002155	CLARK	472157!	600428M1	C-R	416167!	60096	VIC	471466!	60200	VIC	471646!
6002155	CLARK	472157!	600430	CLARK	417539!	600988	CATER	455019!	60201S	TROS	5573
600218C	SPG	600218	600430	MINMA	417539!	600A40010	TROS	417509	60202	VIC	470590
600219C	SPG	600219	60044	C-R	455203	600A44810	TROS	417247!	60203	TROS	2055
600230	CHRYS	5711	60044404	TROS	45637S	600C5	C-R	415725!	60204	VIC	471137
600231	CHRYS	471141!	600445C	SPG	600445	600FM424	C-R	417247!	60217	VIC	450038
600231C	SPG	600231	60044808	TROS	200642	600G422	C-R	45637S	60220	TROS	451182
60024	DURA	473236!	60044813	TROS	57248	600HD422	C-R	45637S	60222	VIC	471571
6002436	CLARK	415124	60044M1	C-R	455203	600HD422-T8	C-R	45637S	60224	VIC	471647
6002437	CLARK	417567	60045609	TROS	416167!	600HD426	C-R	345214=	60226	VIC	472951
6002442	CLARK	55228=	60045610	TROS	416167!	601	DEXTR	J1110=	60226	VIC	474252
60025	C-R	415072*	60046	C-R	417515	60101	VIC	471255!	60228	VIC	450039
600253C	SPG	600253	60046010	TROS	417539!	60101S	TROS	370015A	60233	VIC	451583!
600256C	SPG	600256	60048	C-R	416137	60102S	TROS	7537S	60235	VIC	471648
60025LDS	JN-MN	473243	60048M1	C-R	416137	60103	TROS	5113	60237	VIC	471688
60026	C-R	415072*	6004A	C-R	472258	60103	TROS	.7721!	602376	ALLCH	473437
60026LDS	JN-MN	473235!	6004M1	C-R	417509	601032	SPERY	415991	60239	VIC	450040
60027	C-R	415072*	6005	C-R	415725!	601032	SPERY	415991!	60242	VIC	472311!
6002724	CLARK	455462	60050013	TROS	415725!	601033	CATER	417509	60245	VIC	471224!
6002730	CLARK	470605!	600509C	SPG	600509	601033	SPERY	455134!	602463	ACF	471103!
60028	C-R	415072*	60051	VIC	471442!	601034	SPERY	417349!	60247	VIC	471649!
600280C	SPG	600280	600510	ACF	473229	60104	TROS	8243	6025	SPG	415437
600281C	SPG	600281	600511	ACF	471785!	60105	TROS	205044	60250	VIC	471689!
600284C	SPG	600284	600512	ACF	472826!	60106	TROS	8976S	60252	VIC	450593!
600286C	SPG	52X80X10	600513	ACF	471141!	60106	VIC	481073	60254	VIC	471733
600287C	SPG	600287	600514C	SPG	600514	60107	TROS	418028	60254D	IH	411394!
600288C	SPG	53X68X10	6005189	CLARK	415645!	60109	VIC	471538!*	60256	VIC	471744!
60029	C-R	415072	6005189	CLARK	455104	601093	O-M	254270	60258	GWJ	471760
6002LA	JN-MN	415991	6005191	CLARK	416888!	60111	COC	471553!	60258	VIC	471760*
6002LA	JN-MN	455146!	6005197	CLARK	416229	60111	VIC	471553!	60260	VIC	471760
60030	C-R	415072	60052	VIC	471526!	60113	VIC	471579	602632	LAWN	254287
60030	VIC	50199S!	600520C	SPG	600520	60117	CATER	471529	602632	O-M	254287
60030	VIC	6863S!	6005418	CLARK	416239!	60118	VIC	50026	60265	VIC	50209
600300C	SPG	600300	6005432	CLARK	340413	60120	TROS	7994S	60267	VIC	481650
600301C	SPG	600301	6005435	CLARK	415072	60128	VIC	480821!	6027	SPG	471413
600304C	SPG	600304	6005439	CLARK	340927	60132	ALLCH	415146!	6028	EDELM	25598
60031	C-R	415072	6005507	CLARK	415551	60132	ALLCH	415991	60282	VIC	480210!
6003117	CLARK	415196!	6005552	CLARK	340356	60135	VIC	471554!	60284	VIC	471651
600317C	SPG	600317	6005616	CLARK	415036	601356F	OLIVE	470774!	60285	VIC	470606!
600319	SPG	5645	60057	VIC	471472!	60137	VIC	471567!	60286	VIC	471705!
60032	C-R	415072	6005838	CLARK	417020	60139	VIC	471498*	602862	DENCO	471570!
600323C	SPG	600323	6005839	CLARK	415001!	6013SS	JN-MN	473473	60288	VIC	473419
60033	VIC	474277	6005841	CLARK	455584	60140	TROS	41257!	6028LA	JN-MN	471231!
600332C	SPG	600332	6005842	CLARK	417273	60142	VIC	471684!	60290	VIC	471735
600337	SPG	600337	6005844	CLARK	416666	60144	VIC	450033	60294	VIC	450342
600343C	SPG	600343	600590J	SPG	712134	60149	VIC	481443!	60295	VIC	471762!
600357	SPG	5288	6005M1	C-R	415725!	6014SH	JN-MN	471763	60296	VIC	471762!
600357C	SPG	600357	60060	VIC	471549!	60151	VIC	481568!	602960	LAWN	240733
600361C	SPG	600361	600604	DENCO	473214!	60153	VIC	481644	602960	O-M	240733
600370	SPG	5290	6006286	CLARK	416077	60157	VIC	474273	603	DEXTR	J1122
6004	C-R	417509	6006365	CLARK	340787	60162	VIC	471231!	603000	ALLCH	455008
600408C	SPG	600408	600652C	SPG	600652	60166	VIC	474253	603001	ALLCH	471554!
60041	VIC	470004!	60067	VIC	471530	60168	VIC	471645	603002	ALLCH	476838!
600410	C-R	416144	600750	MICH	415072*	601684	DENCO	416664!	603003	ALLCH	471750!
600410M1	C-R	416144	600750	UNIVE	415072*	601686	DENCO	416664!	603006	ALLCH	471224!
600412	C-R	416149	600755E	SPG	3771	60170	VIC	471686	603007	ALLCH	471795
600412M1	C-R	416149	60076	VIC	472705!	60172	VIC	473412	6030076	ALLCH	471795
600414	C-R	417526	600766C	SPG	224052	601748	DENCO	417247!	603008	ALLCH	471763
600414M1	C-R	417526	600768C	SPG	600768	601758	CLARK	472179	603009	ALLCH	471570!
600416	C-R	416154!	60078	VIC	471281!	60177	VIC	473413	60301	VIC	450044
600416M1	C-R	416154!	60079	VIC	471281!	60179	VIC	473414	603010	ALLCH	471649!
600418	C-R	417534	600796C	SPG	600796	6017SS	JN-MN	40494S	60301S	TROS	370021A
600420	C-R	416158	600797C	SPG	600797	6018	HYST	417492	60309	VIC	450159
600420M1	C-R	416158	6007LA	JN-MN	471760*	60183	VIC	473415	603101	LAWN	471267!
600421	CHRYS	471821!	6007LUP	JN-MN	471760	601872	ALLCH	471733	603101	O-M	471267!
600422	C-R	417535	60080	VIC	471535!	60192	VIC	471267!	60314	VIC	472560N!
600424	C-R	417247!	60082	VIC	471551!	601927	DENCO	473237!	603158	GMC	6936S
600424M1	C-R	417247!	60087	VIC	471532	60193	VIC	450398	60318	COC	476838!
600426	C-R	416163	60089	VIC	473405	60193	VIC	471267!	60318	VIC	476838!
600426M1	C-R	416163	6008R	JN-MN	471737*	60196	VIC	471570!	60319	VIC	350974!
600428	C-R	416167!	60090	C-R	415072*	60199	VIC	471633!*	60320	VIC	470712!
600428	MINMA	416167!	60091	VIC	471558	602	UNIVE	457874	60322	VIC	471747!

! Industrial Size/Type * Minor Width Difference

= The U.S. customer service number is 877-4-TIMKEN. The Canadian customer service numbers are 800-565-4927 (English) and 800-565-0438 (French-Canadian).

Mfr. No.	Name	Zero Duplication or Recommended Industrial	Mfr. No.	Name	Zero Duplication or Recommended Industrial	Mfr. No.	Name	Zero Duplication or Recommended Industrial	Mfr. No.	Name	Zero Duplication or Recommended Industrial
603226	ACF	472311!	604439	ALLCH	473228!	60506	VIC	473228	606-D831	BENDI	415035!
603235	LAWN	340771	604468	CUSH	471267!	60507107	ALFAR	223520!	60603	BL-KN	473234
603235	O-M	340771	604468	O-M	471267!	605093	ALLCH	450311	60603	VIC	473234
60324	VIC	471763	604471	CUSH	471466!	60510	VIC	410190	606034C91	IH	417267
60325	VIC	472644	604471	LAWN	471466!	60511	VIC	473440	60605	VIC	473235!
60326	VIC	471785!	604471	O-M	471466!	60512	VIC	474281!	60607	VIC	474265
603289	LAWN	254270	604479	ALLCH	417351!	605133	ALLCH	470682	606072C91	IH	417267
603289	O-M	254270	60449	VIC	472258*	60513394	ALFAR	713018	60608	VIC	450765!
60329	VIC	450044*	6044B	JN-MN	471529	60515781	ALFAR	713006	60609	AM HO	473236!
603290	LAWN	340815	60450	VIC	470774!	60516684	ALFAR	713014	60609	VIC	473236!
603290	O-M	340815	60451	VIC	470774!	60517110	ALFAR	228480	6061084	WHITE	471272!
60331	VIC	473428*	60452	VIC	472287!	6051B	JN-MN	450090*	606147	ALLCH	442380
60333	VIC	471764!	60454	IH	471192	60520S	TROS	7399S!	60615	VIC	473446
60335	VIC	473427	60454	VIC	471192	60521230	ALFAR	713010	60617	VIC	470086
60340	VIC	483054N	60454D	IH	471192	60521293	ALFAR	713013	606185C91	IH	416107!
60346	VIC	472475	604557	ALLCH	473228	60521S	TROS	473214	606185C91	IH	455073
603462	ALLCH	473016!	60456	VIC	473214	60522	TROS	480210!	60620	VIC	50327*
60347	VIC	473426*	60458	VIC	473215!	605249	ALLCH	472164!	60620S	TROS	473237
60349	VIC	471765!	60459	VIC	473215!	60524D	IH	411394!	60622	VIC	450668
60351	VIC	453063	60462	VIC	470950!	60530	VIC	472299*	606230	CHRYSS	5711
60353	VIC	471354!	60462	VIC	6241S	60531	VIC	472299	606237C91	IH	471442!
60357	VIC	473205	60463	VIC	471835!	60532	VIC	471821!	60624	VIC	50075=
60359	VIC	474254	604634	SPICE	417316!	60534	VIC	471827*	60624D	IH	418029!
60373	VIC	450173	604634-1	SPICE	417316!	60536	VIC	473229	60625D	IH	455500
6038	SPG	474264	604634-2	SPICE	417316!	60537	VIC	450143	60626	VIC	50191
60382	OLIVE	472924!	604634-3	SPICE	417316!	60538	VIC	470682	606293R92	IH	411245!
60382	VIC	474278!	604635	SPICE	415995!	60539	VIC	471316	60632	VIC	50081
60386	VIC	471750!	604636	SPICE	100495	6053B	JN-MN	450133*	60635	VIC	450400*
60388	AM HO	471766!	604636	SPICE	417349	60540	VIC	471316	60638	VIC	472164!
60388	CARVR	471766!	604636-1	SPICE	100495	60540S	TROS	474260	6064	SEAMA	472636!
60388	VIC	471766!	604636-1	SPICE	417349	60541	VIC	450803*	60640	VIC	472164!
60390	VIC	471787!	604637	SPICE	415995!	60541R	TROS	331228H	60640S	TROS	3095
603914	ACF	471413	604638	SPICE	417316	60542	VIC	473441	60641	VIC	472185!
60392	VIC	471787!	604638-1	SPICE	417316!	60543	VIC	473442!	60642	VIC	472193!
603932C91	IH	417196!	60464	VIC	450776!	60549	VIC	450065	60643	VIC	472185!
603933C91	IH	416921!	60465	VIC	473197	60551	VIC	482253	60644	VIC	470334!
60394	VIC	450177	60473	VIC	50254=	60553	VIC	451469	60645	VIC	470334!
60395	VIC	471795	60476	VIC	473224!	60555	VIC	450274	60646	VIC	472179
60396	VIC	471795	604762	UNIVE	457874	60556429	ALFAR	713017	606469R91	IH	200881
60398	VIC	450165	604763	MICH	457874	605582A	WHITE	455197N	60648	VIC	473447
60398	VIC	471801!	60478	AM HO	473016!	60560701	ALFAR	713007	6064LA	JN-MN	417542
603VB7	MARI	415072	60478	VIC	473016!	60562	VIC	473231	6065	SPG	413478
604	UNIVE	417562	60480	VIC	473225!	60564	VIC	473367	606535C91	IH	456055V=
60402S	TROS	471193	60484	AM HO	474264	60564	VIC	473367!	60655	VIC	471141!
60403	VIC	470050*	60484	VIC	474264	605667607	ALFAR	713015	60656	VIC	471141!
60405	VIC	473424!	60485	VIC	471862	60568	VIC	473010	606567C1	IH	JX1137=
604058	JEFF	470059	604866100	EATON	50209	605686	GMC	471231!	606568C91	IH	416557
604058	JEFF	470380!	60489	VIC	473438	60569298	ALFAR	713012	606568C92	IH	416557
604066	WHELA	473010	6048R	JN-MN	472150	60569304	ALFAR	713009	60660	VIC	473313
60407	VIC	450124=	60492	GRAY	476470	6056LA	JN-MN	473010	60663	VIC	470088*
6040LUP	JN-MN	417493	60493	GRAY	416339	6056LUP	JN-MN	473010	606660C91	IH	415995!
6041LA	JN-MN	416654!	60493	GRAY	455031!	60570	VIC	473232	606676C1	IH	JX1252=
60420	TROS	7457N	60493	VIC	473439!	60572	VIC	481864	606677C91	IH	470774!
60421	GMC	481644	60494	VIC	474276!	60574	AM HO	474274	60668	VIC	6936S
60421	VIC	450129	60497	VIC	453065	60574	VIC	474274	60671	VIC	50266
60421	VIC	472826!	604973	ALLCH	416888!	6057LA	JN-MN	473010	60673	VIC	450269
60423	VIC	473421	604973	ROCKW	416888!	60580	VIC	473444	60675	VIC	450285
60425	VIC	473211!	604974	ALLCH	455375=	60581	VIC	414268!	606750C91	IH	412119!
60427	VIC	473212!	604974	ROCKW	455375=	605816	GMC	473215!	606751C91	IH	471766!
60429	VIC	40769S	60498	VIC	470625!	605823	GMC	450593!	606752C91	IH	471766!
6042SS	JN-MN	415303!	604986	ALLCH	415458!	60583	VIC	450335*	606778C91	IH	417344!
60431	VIC	473213!	6049C	DIA	370036A	605836	GMC	471224!	606778C92	IH	417344!
60434	OLIVE	470059	604A42410	TROS	370030A	60584	VIC	450467	606778C93	IH	417344!
60434	OLIVE	470380!	6050-101-2	TRMBL	416158	60585	VIC	450260	606779C1	IH	J1515=
60436	VIC	473435	60500	CLARK	470059	60589	VIC	450073	606779C2	IH	JX1576=
604372	ALLCH	471766!	60500	CLARK	470380!	605898	ALLCH	471224!	6068	SEAMA	473016!
60438	VIC	473436	60500	VIC	470059	605898	ROCKW	471224!	60683	VIC	450089*
60438D	IH	473245!	60500	VIC	470380!	605D6	WHITE	5401	60688	VIC	472070
6043LA	JN-MN	415303!*	60500516	ALFAR	713001	605VB7	MARI	417596	606892C91	IH	416287
60440	TROS	473235	60502S	TROS	471341!	606	C-R	5M445	606892C91	IH	416288!
60442	VIC	450054	60503646	ALFAR	713011	606	UNIVE	417563	60690	VIC	471866!
604420	VICK	203012	60504	VIC	471820	606-D831	BENDI	415035	606908	ALLCH	471785!

! Industrial Size/Type * Minor Width Difference

= The U.S. customer service number is 877-4-TIMKEN. The Canadian customer service numbers are 800-565-4927 (English) and 800-565-0438 (French-Canadian).

NUMERICAL INTERCHANGE

Zero Duplication or Recommended Industrial		Zero Duplication or Recommended Industrial		Zero Duplication or Recommended Industrial		Zero Duplication or Recommended Industrial					
Mfr. No.	Name	Mfr. No.	Name	Mfr. No.	Name	Mfr. No.	Name				
606910	ALLCH	472185!	60796	VIC	473463 *	60887	VIC	410694!	60996	VIC	415088!
606911	ALLCH	470625!	60798	VIC	473242	60889	VIC	416444	60997	VIC	455019!
606912	ALLCH	417082	607A	BUTBN	40337S	6088LA	JN-MN	471760	60998	AM WH	471760
606914	ALLCH	412861	607VB7	MARI	455121	60893	VIC	413246	60998	VIC	415088!
606917	ALLCH	415683	608	UNIVE	416229	60894	VIC	412119!	60998	VIC	477163N
606919	ALLCH	473228	60800	VIC	473464!	60895	VIC	410987!	609VB7	MARI	417298
60692	VIC	473449	60800	VIC	473464	60895	VIC	450686	60DD20	GR-DV	473230!
606920	ALLCH	416339	60801	GRAY	473423	60896	VIC	410987!	60DD64	GR-DV	417254
606920	ALLCH	455031!	60801S	TROS	471538	60897	VIC	416271!*	60DD83	GR-DV	417172
60698	VIC	473450	60802	VIC	410102	60898	BU-SP	416271!	60DD92	GR-DV	473239
6069SS	JN-MN	472705!	60805219	ALFAR	713003	60898	VIC	416271!	60G1	GR-DV	416921!
606VB7	MARI	417562	60806372	ALFAR	713002	608VB7	MARI	416229	60G10	GR-DV	415025
606W412-L	C-R	6635S	60808	VIC	5877 *	60901	TROS	470954!	60G100	GR-DV	415034!
607	BUTBN	40337S	6081	SPG	412871!	609010A	HARWA	60X90X10	60G103	GR-DV	415960
60700	VIC	450090*	60810	VIC	472012	60902	AM HO	411500	60G104	GR-DV	417487
60708	VIC	473451!	60812	VIC	450307	60902	VIC	411500*	60G105	GR-DV	417487
60712	VIC	473452	60814	VIC	450311	60903	AM HO	450104	60G106	GR-DV	418029!
607143R91	IH	472164!	60815	GRAY	450400	60903	VIC	450104	60G107	GR-DV	415027
607152R91	IH	473215!	60816	VIC	417381!	60905	AM HO	411245!	60G107	GR-DV	415027!
607154R91	IH	473426	60816	VIC	450096	60905	VIC	411245!	60G108	GR-DV	471570!
60718	VIC	473453	60817	VIC	416738!	60907	VIC	417073*	60G109	GR-DV	417546!
6071LA	JN-MN	412119!	60817	VIC	450096	60911	VIC	471271!	60G11	GR-DV	416077
60720	TROS	5390	60819	VIC	450313	60913	VIC	410496!	60G110	GR-DV	471466!
607208B	HARWA	60X72X8	6081SS	JN-MN	410308!	60914	VIC	470605!*	60G111	GR-DV	474278!
60725	VIC	472439	6081SS	JN-MN	473468	60918	VIC	415449!	60G112	GR-DV	470334!
60727	VIC	471868*	6082	SPG	473473	6091LA	JN-MN	416107!	60G112	GR-DV	50289
60728	VIC	471868	60827	VIC	470898	6091LA	JN-MN	455073	60G113	GR-DV	470590
6072LA	JN-MN	455191	60829	VIC	453066	60920	VIC	415001!	60G114	GR-DV	471766!
6072LUP	JN-MN	455191	60829	VIC	470898!	60922	VIC	416273!	60G116	GR-DV	470334!
60730	VIC	472572!	60833	VIC	473467	60925	VIC	415302	60G118	GR-DV	415302
60732	VIC	473179!	60834	VIC	472015!	60926	VIC	455280	60G12	GR-DV	417298
60734	VIC	414045!	608343	GMC	471760	60927	VIC	415988	60G120	GR-DV	471192
60735	VIC	473238!	60835	GRAY	471466!	60928	VIC	411330!	60G121	GR-DV	473205
60736	VIC	473238	60835	VIC	472015!	609289	WHELA	415072	60G122	GR-DV	40301S
6073LA	JN-MN	417487	60837	VIC	410308!	60929	VIC	415483!	60G123	GR-DV	40301S
6073LUP	JN-MN	417487	60839	VIC	472016	6093	NATL	471442!	60G124	GR-DV	472157!
60740	TROS	5576	6084	NATL	353141!	60930	VIC	412871!	60G124	GR-DV	472157
60740	VIC	450084!	60841	VIC	472409!	60931	AM WH	473367!	60G125	GR-DV	472810!
60741	TROS	5095	60843	VIC	473243	60931	AM WH	473367	60G125199	GR-DV	415227!
60742	VIC	473239	60845	VIC	413469!	60932	VIC	415458!	60G125200	GR-DV	417298
60744	VIC	473457!	60845610	TROS	417267	60934	VIC	417343!	60G125201	GR-DV	415196!
60745	VIC	473240!*	60845R91	IH	415449!	60935	GRAY	450457	60G125202	GR-DV	415090
60746	VIC	473458!*	6084LA	JN-MN	471224!	60936	VIC	415007	60G128	GR-DV	450111
60749	VIC	410524	6084LUP	JN-MN	471224!	6093SH	JN-MN	471466*	60G13	GR-DV	416666
607498	GMC	472016	60853	VIC	473471*	6093SS	JN-MN	471466!	60G130	GR-DV	471760
607538	GMC	417316!	60856	VIC	470354	60943	VIC	455151	60G131	GR-DV	471652
60755VTA	TRSCM	415072	60858	VIC	473245!	60945	VIC	455008	60G132	GR-DV	473224!
607569	GMC	470530!	608586	CLARK	472185!	60949	VIC	416664!	60G133	GR-DV	340771
607589	GMC	415449!	6085LA	JN-MN	415066	60950	VIC	457291	60G134	GR-DV	450457
607590	CLARK	415449!	6085LPD	JN-MN	415066	609510A	HARWA	60X95X13	60G135	GR-DV	450165
60766	VIC	473459	6086	PETTI	415988	60952	VIC	415984!*	60G135	GR-DV	471801!
60767	VIC	472144!	60861	VIC	412943 *	60953	VIC	417316!	60G14	GR-DV	412119!
607670	GMC	415449!	60862	VIC	473471	60954	VIC	417316!	60G141	GR-DV	416239!
6076861	BENDI	471747!	60863	VIC	471341!	60956	VIC	415960!	60G142	GR-DV	417603!
60771	VIC	472394	60864	VIC	471272!	60961	VIC	455005	60G145	GR-DV	470328
60773	VIC	473461!	60866	VIC	473473	60963	VIC	417485	60G145	GR-DV	481213!
60773	VIC	65X85X10	60867	VIC	410737!	609638A	WHITE	470898	60G15	GR-DV	417316!
60775	VIC	471391!	60868	VIC	472636!	60964	VIC	2081	60G150	GR-DV	455005
60777	VIC	473462	60868N	VIC	472636!	60968	VIC	417344!	60G151	GR-DV	415960!
60781	VIC	450446*	6086LA	JN-MN	415090	6096LA	JN-MN	472636!	60G152	GR-DV	472144!
60782	JAE	472492!	60870	VIC	411253!	60970	VIC	417158!	60G155	GR-DV	415988
60782	MASSE	472492!	60872	VIC	412920!	60972	VIC	416921!	60G157	GR-DV	417343!
60782	VIC	472492!	608722	GMC	471224!	60974	VIC	417134	60G16	GR-DV	417269!
60786	VIC	472924!	60873	VIC	455136	60975	VIC	416921!	60G162	GR-DV	476470
607861R91	IH	471341!	60875	VIC	411376!	60979	VIC	416654!	60G164	GR-DV	411253!
607862R91	IH	476838!	60877	VIC	415234!	60981	VIC	417486	60G17	GR-DV	415645!
60787	BL-KN	472924!	608775	MICH	417562	60986	VIC	415995!	60G17	GR-DV	455104
60787	VIC	472924!	608775	UNIVE	417562	60987	VIC	415995!	60G171	GR-DV	415124
60790	VIC	470530!	60879	VIC	55337	60988	VIC	415995!	60G177	GR-DV	455129
60791	GRAY	472951	60883	VIC	411394!	60991	VIC	417351!	60G18	GR-DV	470059
60791	GRAY	474252	608839	VICK	471224!	60993	VIC	417487	60G18	GR-DV	470380!
60794	VIC	472397!	60885	VIC	411394!	60996	VIC	415088	60G186	GR-DV	415116

! Industrial Size/Type * Minor Width Difference

Mfr. No.	Name	Zero Duplication or Recommended Industrial	Mfr. No.	Name	Zero Duplication or Recommended Industrial	Mfr. No.	Name	Zero Duplication or Recommended Industrial	Mfr. No.	Name	Zero Duplication or Recommended Industrial
60G187	GR-DV	415219	60G52	GR-DV	472179	60X95X13	SIMRT	60X95X13	61092	VIC	417497*
60G188	GR-DV	471442!	60G53	GR-DV	472924!	60X95X8SC	TRSCM	60X95X8	61094	OLIVE	415483!
60G19	GR-DV	416288!	60G54	GR-DV	411245!	60X95X8TC	TRSCM	60X95X8	61094	VIC	417498*
60G2	GR-DV	416339	60G55	GR-DV	416654!	61-A2652	BENDI	415035!	61095	VIC	417498
60G2	GR-DV	455031!	60G56	GR-DV	416288!	61-A2652	BENDI	415035	61096	VIC	55028
60G20	GR-DV	416229	60G57	GR-DV	415995!	610	UNIVE	417298	61099	VIC	455402=
60G203	GR-DV	415035	60G58	GR-DV	417196!	61002	VIC	55155=	611	CALI	415234!
60G21	GR-DV	415023	60G59	GR-DV	417205!	61004	VIC	455015	61101	VIC	416332!
60G217	GR-DV	415088!	60G6	GR-DV	415058	6100B	JN-MN	416153!	61101S	TROS	7607
60G217	GR-DV	415088	60G60	GR-DV	416891!	6100LPD	JN-MN	416153!	61102	TROS	8139
60G22	GR-DV	472179	60G61	GR-DV	474264	61012	VIC	6754S=	61103	TROS	291295
60G220	GR-DV	415023	60G62	GR-DV	472179	61013	VIC	417621!	61103	VIC	415937!
60G221	GR-DV	476470	60G63	GR-DV	415187	610136C91	IH	473214!	611035	WOOL	472179
60G222	GR-DV	416556!	60G64	GR-DV	413469!	61015	VIC	416288!*	61103D	IH	471192
60G222	GR-DV	472157	60G65	GR-DV	413469!	61018	VIC	417171!	61104S	TROS	331301N
60G224	GR-DV	417366!	60G66	GR-DV	415349	61019	VIC	417172	61105	VIC	417355!*
60G226	GR-DV	472015!	60G69	GR-DV	470806	61020	VIC	415021	61108	VIC	416125!
60G227	GR-DV	473232!	60G7	GR-DV	415138!	61022	VIC	415394	61109	VIC	416125!*
60G228	GR-DV	415088	60G70	GR-DV	472185!	61024	VIC	456105*	61112	VIC	417501*
60G228	GR-DV	415088!	60G71	GR-DV	472016	61026	VIC	417490*	61116	VIC	55030
60G229	GR-DV	472397!	60G72	GR-DV	474274	61027	VIC	455336*	61116M1	MASSE	JV1215=
60G23	GR-DV	473245!	60G73	GR-DV	415991	61028	VIC	455022	61117	VIC	55646* =
60G230	GR-DV	415449!	60G73	GR-DV	455146!	6103	C-R	710274	61117M1	MASSE	200752
60G236	GR-DV	471413!	60G8	GR-DV	470530!	610318C91	IH	411376!	61120	TROS	472164
60G238	GR-DV	455134!	60G83	GR-DV	417191	61033	VIC	476470	61121	VIC	415379
60G239	GR-DV	473245!	60G84	GR-DV	417210!	610336C91	IH	417316!	61121	VIC	415379!
60G24	GR-DV	471750!	60G85	GR-DV	471705!	610337C91	IH	416557=	61123	VIC	417205!*
60G242	GR-DV	415551	60G86	GR-DV	472572!	61036	VIC	417181!*	61125	VIC	416339
60G244	GR-DV	417172	60G87	GR-DV	417366!	61038	VIC	418028	61125	VIC	455031!
60G246	GR-DV	470059	60G88	GR-DV	455151	61038	VIC	455137!	61127	VIC	415150!*
60G246	GR-DV	470380!	60G89	GR-DV	417351!	61040	VIC	418028	6112R	JN-MN	470898
60G247	GR-DV	473231	60G9	GR-DV	411253!	61040	VIC	455137!	61134	VIC	455178=
60G25	GR-DV	457874	60G90	GR-DV	417621!	61041	VIC	417353!	61136	VIC	417504*
60G250	GR-DV	471413	60G91	GR-DV	470334!	61042	VIC	415023	61138	VIC	455032!
60G251	GR-DV	415483!	60G91	GR-DV	50289	610465C91	IH	450593!	6113LA	JN-MN	470898
60G252	GR-DV	470334!	60G92	GR-DV	415021	61047	VIC	416292*	6113LPD	JN-MN	470898
60G252	GR-DV	50289	60G95	GR-DV	470334!	6105	C-R	340387	6113LUD	JN-MN	470898
60G254	GR-DV	417316!	60G95	GR-DV	50289	61051	VIC	415085!	61140	VIC	455189*
60G258	GR-DV	415984!	60G96	GR-DV	472397!	61051	VIC	456648	6114180	GMC	417316!
60G259	GR-DV	415198	60G97	GR-DV	473245!	610521	GMC	456744N	61145	VIC	417210!*
60G26	GR-DV	416865!	60G9763	GR-DV	415090	61054	VIC	455024	61147	VIC	417211!*
60G27	GR-DV	476470	60G9764	GR-DV	417298	61059	VIC	412473!	6115	SPG	473463
60G28	GR-DV	416476!	60G9765	GR-DV	415196!	61061	VIC	417191	61150	VIC	416345!
60G29	GR-DV	415072	60G98	GR-DV	470059	61061	VIC	456585	61150	VIC	455033
60G3	GR-DV	415458!	60G98	GR-DV	470380!	61062	VIC	417191	61151	VIC	417366!*
60G30	GR-DV	416888!	60G99	GR-DV	416288!	61062	VIC	456585	61152	VIC	415697!
60G31	GR-DV	416271!	60J175	GR-DV	415294!	610626C91	IH	416664=	61152	VIC	455547
60G32	GR-DV	476470	60N1617	WGEAR	471224!	61063	VIC	417354!*	61156	VIC	417967!*
60G33	GR-DV	417567	60X100X10SC	TRSCM	60X100X10	610632C91	IH	416664=	61158	VIC	415034!
60G34	GR-DV	470059	60X100X10TC	TRSCM	60X100X10	61064	VIC	455249!	6116	HYST	415645!
60G34	GR-DV	470380!	60X110X8SC	TRSCM	60X110X8	61065	VIC	415025	61160	VIC	455191*
60G35	GR-DV	472397!	60X110X8TC	TRSCM	60X110X8	61070	VIC	417492*	61161	TROS	42101S
60G36	GR-DV	417211!	60X171	GR-DV	415124	610712C92	IH	417349!	61161	VIC	417506
60G38	GR-DV	473460	60X72X8	FORSH	60X72X8	61072	VIC	417493*	61164	VIC	457294
60G39	GR-DV	417191	60X72X8	SIMRT	60X72X8	61074	VIC	455026	61165	VIC	415187
60G39	GR-DV	456585	60X72X8SC	TRSCM	60X72X8	61078	VIC	415991	61167	JAE	415035!
60G4	GR-DV	415995!	60X72X8TC	TRSCM	60X72X8	61078	VIC	455146!	61167	JAE	415035
60G40	GR-DV	411245!	60X75X8SC	TRSCM	60X75X8	61079	GW	415991	61167	VIC	415035
60G41	GR-DV	415449!	60X75X8TC	TRSCM	60X75X8	61079	GW	455146!	61167	VIC	415035!
60G42	GR-DV	450274	60X80X8SC	TRSCM	60X80X8!	61079	VIC	415991	61169	VIC	417356!
60G43	GR-DV	417602!	60X80X8TC	TRSCM	60X80X8!	61079	VIC	455146!	61169	VIC	455188
60G44	GR-DV	417604	60X82X12SC	TRSCM	60X82X12!	6107OSR	JN-MN	473215!*	6117	SPG	410708
60G45	GR-DV	472179	60X82X12TC	TRSCM	60X82X12!	6108	C-R	340387	61171	VIC	417357
60G46	GR-DV	470682	60X82X7ASN	ISP	60X82X7	61081	VIC	417196!*	61171	VIC	455192!
60G47	GR-DV	450165	60X85X8SC	TRSCM	60X85X8	610813	MICH	417298	61173	VIC	417357
60G47	GR-DV	471801!	60X85X8TC	TRSCM	60X85X8	61083	VIC	415437*	61173	VIC	455192!
60G48	GR-DV	474265	60X90X10	FORSH	60X90X10	610866C92	IH	412040	61174	VIC	416130!
60G49	GR-DV	472394	60X90X10	SIMRT	60X90X10	610867C92	IH	411394!	61175	VIC	415036
60G5	GR-DV	416339	60X90X10SC	TRSCM	60X90X10	610870C92	IH	417344!	611758	ALLCH	473460
60G5	GR-DV	455031!	60X90X10TC	TRSCM	60X90X10	6108B	JN-MN	416956*	61176	VIC	417507!
60G50	GR-DV	472016	60X90X8SC	TRSCM	60X90X8	6108LUP	JN-MN	416956	61176	VIC	417507
60G51	GR-DV	473225!	60X90X8TC	TRSCM	60X90X8	61090	VIC	415711*	611760	ALLCH	416865

! Industrial Size/Type * Minor Width Difference

= The U.S. customer service number is 877-4-TIMKEN. The Canadian customer service numbers are 800-565-4927 (English) and 800-565-0438 (French-Canadian).

NUMERICAL INTERCHANGE

Mfr. No.	Name	Zero Duplication or Recommended Industrial	Mfr. No.	Name	Zero Duplication or Recommended Industrial	Mfr. No.	Name	Zero Duplication or Recommended Industrial	Mfr. No.	Name	Zero Duplication or Recommended Industrial
611761	ALLCH	415035	61272	VIC	415351!	6138	C-R	7188S	615098C91	IH	416404=
611763	ALLCH	415254	61275	VIC	416888!	61384	VIC	416476!	61509S	TROS	342805
611764	ALLCH	473452	61277	VIC	416153!	61389	BUC-E	415072	6151	C-R	351487
61177	VIC	415041	61277R91	IH	472636!	61389	VIC	415072*	61510	VIC	415090*
611770	SPERY	415035	612787	UNIVE	417563	6138LA	JN-MN	470898	61510S	TROS	7751H
61178	VIC	415041*	612788	MICH	417563	6139	C-R	7188S	61512S	TROS	473228!
61179	VIC	417509*	61279	VIC	416892!	613901C91	IH	416287	61514S	TROS	8421S
61181	VIC	417223	61281	VIC	416154!*	613901C91	IH	416288!	61515	VIC	55218*=
61186	VIC	55193*=	61282	VIC	416070	613938	WHITE	472636!	615166	CLARK	471264!
61188	VIC	455037	61283	VIC	415351!	61394	VIC	457874*	6152	C-R	314267N
6119	C-R	340849	61286	VIC	55539*=	61399	VIC	417562*	6152	C-R	340724!
61197	VIC	455134!	61288	VIC	417533	613W428	C-R	417267	6152	CLIN	481443!
61199	VIC	415142*	61290	VIC	417534*	614	UNIVE	455584	61520	VIC	415219*
611D	CALI	415234!	61297	VIC	415371	61402S	TROS	471193	61520S	TROS	7929S
612	UNIVE	417596	61299	AM HO	416158*	61404	VIC	417563*	61521S	TROS	473473
6120	C-R	253747!	61299	VIC	416158*	61408	VIC	416229*	6152753281	KOMAT	100296
6120	C-R	340849	612W216-L	C-R	5401	6140LA	JN-MN	417316!	61530	VIC	417606*
6120	O-M	343185	612W416	C-R	416070	6141	C-R	7188S	61535	VIC	55222*=
612000	CLARK	410059	613-19-86	TRMBL	370036A	614138	GERL	416107!	615380	CLARK	472185!
612000	CLARK	470380!	613-19-86	TRMBL	370349A	614138	GERL	455073	61540	VIC	55223*=
61201	VIC	417512	6130	C-R	343105!	61414	VIC	417298*	615438C91	IH	8126S
61203	VIC	415043	6130	C-R	7399S	614145	GERL	455056	61545	VIC	55224*=
61203S	TROS	471821!	61301	VIC	415064	61419	VIC	417596	615463-2	SPICE	415088
61205	VIC	455203*	61306	VIC	415284	614202	CATER	417298	615463-2	SPICE	415088!
61207	VIC	455056	61308	VIC	417535	614202	GERL	417298	615499C91	IH	7840S
61210	C-R	455330!	6131	CHRYS	471554!	61424	VIC	455584	61550	VIC	417020*
61212	VIC	455194*	6131	DURA	471554!	61429	VIC	416239!	61559	VIC	417570*
61214	VIC	417513	61310	VIC	417536	6143	C-R	7188S	61567	VIC	415227!*
61216	VIC	417514	61312	VIC	417537	61430	VIC	416239!	615670C91	IH	415988=
61220	C-R	455330!	61314	VIC	55367*=	61434	VIC	416077	6158	MARI	417020
61220	VIC	417516	61315	VIC	415138!	61439	BUC-E	415116	615803	WHITE	471689!
61221	C-R	455330!	61317	VIC	417538*	61439	VIC	415116*	615826	CATER	472179
61222	VIC	415058*	61319	VIC	417247!	614410R91	IH	40568S	615831C91	IH	410825
61225	VIC	472157!	613199	CATER	473463	61444	VIC	455117*	615833C91	IH	473243
61225	VIC	472157!	61321	VIC	415066	6144631	SPICE	471689!	61585	VIC	415482*
61227	VIC	415196!*	61326	VIC	416163*	61449	MARI	415551	615860	CLARK	415995!
61229	VIC	416891!	61328	VIC	456890	61449	VIC	415551*	6158SS	JN-MN	240733
6122LA	JN-MN	474265	6133	GARLK	254287	6144LA	JN-MN	416339	615N2	WHITE	473215!
6122LUP	JN-MN	474265	61330	AM WH	417247!	6144LA	JN-MN	455031!	61601	TROS	5587
61232	VIC	416891!	61333	GW1	416167!	6145	C-R	351487	61604	VIC	415076*
612336	ACF	470954	61333	VIC	416167!	61454	VIC	417598*	6161052	HERCU	340771
61234	VIC	416137*	61335	VIC	417267*	61459	VIC	455406!	6161106A	HERCU	471466!
61235	VIC	417518*	61337	VIC	417269!	6145LA	JN-MN	417181!	6161310	HERCU	417210!
61236	VIC	415058	6133SH	JN-MN	417267	614631	SPICE	473473	6161310B	HERCU	417210!
6124	SPG	470954	613416	C-R	416070*	614633	SPICE	417316!	61618	MC-CL	471551!
61240	C-R	415074	61342	VIC	417539!*	614634-3	SPICE	471570!	61620S	TROS	350936
61240S	TROS	7886S	613424	C-R	417252	61464	VIC	455121*	61626	VIC	473425
61241	VIC	455197	613428	C-R	417267	61466	VIC	417600*	6162LA	JN-MN	471765!
61241	VIC	455197N	613428M1	C-R	417267	61467	VIC	417601*	6162LUP	JN-MN	471765!
61243	VIC	417520	61344	VIC	417273	614682	CLARK	40169S	61630	MARI	455406!
61245	VIC	416144	61348	C-R	417518	61469	VIC	417602!	616310	HERCU	417210!
612462R91	IH	471341!	61349	VIC	416865!	614699	CATER	473475	6164	NATL	452222!
61247	VIC	417238	6134LA	JN-MN	473213!	6146LA	JN-MN	415035!	6164	SEAMA	412119!
61248	C-R	415074	6134LPD	JN-MN	473213!	6146LA	JN-MN	415035	61640009	TROS	417223
6125	C-R	343105!	6135	C-R	351487	6146LUP	JN-MN	415035!	61641209	TROS	417516
6125	C-R	7399S	61350	VIC	417541*	6146LUP	JN-MN	415035	61641609	TROS	415058
61250	C-R	415074*	6135090	FORD	713087	6147	C-R	7188S	61642409	TROS	370019A
61252	VIC	415196!*	61354	VIC	417546!*	614702	GERL	415559	61643609	TROS	457585
61254	VIC	415047	613558C91	IH	415351!	614729	CLARK	471760	61644009	TROS	370021A
61255	C-R	457874	61359	VIC	415645!	614733	CLARK	471570!	61646009	TROS	417273
61256	VIC	416149*	61359	VIC	455104	61474	VIC	455123*	61650009	TROS	416865
61257	VIC	6635S	6135B	JN-MN	450472!*	614740	CLARK	471787	61650010	TROS	416865
61258	VIC	415060	61364	VIC	415938*	61479	VIC	415124*	61650014	TROS	416865!
61258	VIC	455060	613640C91	IH	416865	6148	C-R	351487	61650809	TROS	417258
6125SH	JN-MN	40328*	61369	AM HO	416107!	61489	BUC-E	417604	61650811	TROS	417258
61261	C-R	457874	61369	AM HO	455073	61489	VIC	417604*	61651607	TROS	417262!
61263	VIC	457295	61369	BUC-E	416107!	61494	VIC	417567*	61651609	TROS	417262!
61266	VIC	417525	61369	BUC-E	455073	6149LA	JN-MN	455194*	6165RPD	JN-MN	415697!
61268	VIC	417526*	61369	VIC	416107!	6150	C-R	7188S	6165RPD	JN-MN	455547
612692R91	IH	471341!	61369	VIC	455073	61500	VIC	415128*	616654	CLARK	40059S
612693R91	IH	476838!	61374	VIC	417556*	6150037	FORD	331107N	61670	AM WH	415645!
61270	VIC	415351!	61379	VIC	416666*	61507S	TROS	7442H	61670	AM WH	455104

! Industrial Size/Type *Minor Width Difference

=The U.S. customer service number is 877-4-TIMKEN. The Canadian customer service numbers are 800-565-4927 (English) and 800-565-0438 (French-Canadian).

Mfr. No.	Name	Zero Duplication or Recommended Industrial	Mfr. No.	Name	Zero Duplication or Recommended Industrial	Mfr. No.	Name	Zero Duplication or Recommended Industrial	Mfr. No.	Name	Zero Duplication or Recommended Industrial
6168	C-R	471466!	62001	C-R	39889	620602	ADAMS	417171!	6212	C-R	471466!
616800	UNIVE	416229	62001	C-R	5613!	620602	LETN	417171!	6212	SPG	6966S
6168LA	JN-MN	455292=	62001	VIC	240319	620616	GERL	456105	621201	C91 IH	472572!
6169	C-R	471466!	620022	WHITE	476470	62062	VIC	41075S	621225	C91 IH	470954!
61692R91	IH	417344!	620027	CATER	417223	62066	VIC	5865	6213	C-R	471466!
6169LA	JN-MN	416364!	62003	VIC	471267	62067	VIC	40085S	62132	VIC	470774!
616A42410	TROS	370019A	62004	VIC	471442	62068	VIC	417485	6213LA	JN-MN	471646!
616B43209	TROS	370021A	62005	VIC	43069S	62069	VIC	471787	62140	TROS	8121S
616D-045	BENDI	415035!	620058	DANA	710385	6206B	JN-MN	417254*	6215	C-R	471466!
616D-045	BENDI	415035	620062	SPICE	710044	62070	VIC	43086S	62152	VIC	471707N
61701	TROS	5591	62008	VIC	40973S	62071	VIC	471785!	6215516	B-L-H	473238
617250	CHRYSS	471224!	62009	VIC	6064*	6207216	B-L-H	474278!	62156	VIC	9613S
6172LA	JN-MN	471276*	6200C01004	AM MA	473016!	62073	VIC	40769S	62158	VIC	473258!
6173OSR	JN-MN	417205!*	6200C01017	AM MA	472636!	62074	VIC	40468	62159	VIC	471835!
6174OSR	JN-MN	418028	6200C01033	AM MA	415371	62076	VIC	471466	62160	VIC	470950!
6174OSR	JN-MN	455137!	6200LA	JN-MN	415449!	62077	VIC	43089S	62160	VIC	6241S
61758	AM WH	415379!	62010	VIC	43071S	62078	VIC	42421S	62171	VIC	340815
61758	AM WH	415379	6201050	REX	415379!	620782	GERL	415025	621713	ADAMS	476470
61761	TROS	227040	6201050	REX	415379	620784	ALLCH	473010	621713	LETN	476470
61761	TROS	70X90X10!	62012	GWJ	470954!	6207849	ALLCH	473010	621713	WABCO	476470
61781R91	IH	5408	62012	VIC	470954	620785	ALLCH	471649!	62173	VIC	473517!
61783R91	IH	5408	62013	VIC	40369S	62079	VIC	204503!	62175	VIC	450400
617845	CATER	415045!	62016	VIC	40370S	62079	VIC	473237	62176	VIC	471504
6180	C-R	471466!	62019	VIC	472354!	6208	C-R	471466!	62178	VIC	472070
61801S	TROS	7399S!	620199	VIC	370003A	62080	VIC	47150S	62182	VIC	332062
61802S	TROS	7840S	620199	WHITE	370003A	620812	UNIVE	417298	62184	VIC	473179!
6181	C-R	471466!	62019AN	BUC-E	472354!	62083	VIC	6241S*	62187	VIC	451078!
618113	WHITE	40468	62020	VIC	254287!	620834	GERL	473458!	62188	VIC	352541
618139	ALLCH	411253!	62021	VIC	43072S	620840	SPICE	483793	62189	VIC	472341!
61820	C-R	455583N!*	620216	SPICE	5131	620843	WHITE	JV753	6218LA	JN-MN	416345!
61820S	TROS	471652	620218	GERL	415187	620843A	WHITE	370007A	6218LA	JN-MN	455033
6183	C-R	471466!	62021AN	BUC-E	472560N	620848	WHITE	370006A	6218LUP	JN-MN	416345!
6184	C-R	471466!	62023	VIC	43074S	620871	ALLCH	473231!	6218LUP	JN-MN	455033
61840	C-R	455583N!*	62024	VIC	471224	6209	C-R	471466!	62190	VIC	472082
6186	C-R	471466!	62025	VIC	45637S	62096	VIC	473459	62191	VIC	473467
618641	ALLCH	472185!	620257	SPICE	2300	620985	ALLCH	471649=	62192	VIC	472018
618662	ALLCH	470954!	62028	VIC	43076S	62099	VIC	415227!	62193	VIC	470354
6186S	NATL	470354	62029	VIC	43073S	6209SH	JN-MN	40169S*	62194	VIC	471341!
618841	ALLCH	471466	620297	ADAMS	417205!	620A50420	TROS	370003A	62196	VIC	471272!
618897	WHITE	5408	6203	C-R	471466!	620BM224-L	C-R	6643S	62198	VIC	410825
6189	C-R	471466!	62030	VIC	43077S	620C01005	AM MA	473227	621986	ADAMS	472636!
618950	WHITE	5401	62031	VIC	330385!	620C01011	AM MA	203034	62199	VIC	455151
618951	WHITE	5403	62032	VIC	240435	620C01014	AM MA	471424!	621993	CLARK	472179
6189SS	JN-MN	343105	62034	VIC	43078S	620C01019	SEAMA	471271!	622	ROTO	471466
6189SS	JN-MN	7399S!	62035	VIC	471766	620C01021	AM MA	415082	62200	VIC	471442!
619	C-R	5M466	62036	VIC	40627S=	620C01023	AM MA	416664!	62201	VIC	471442!
61901S	TROS	7338N	62039	VIC	40504S=	620C01024	AM MA	417349	62201S	TROS	8293S
61902S	TROS	7456N	6204	C-R	471466!	620C01029	AM MA	417496	62202	CUSH	205020=
61903S	TROS	331173	62040	VIC	471526	620C01032	AM MA	415060	62202	VIC	471442!
6190B	JN-MN	417349	62041	VIC	340771*	620C01032	AM MA	455060	62203	VIC	471442!
619153	CHRYSS	473313	62043	VIC	40568S	620C01034	AM MA	415371	62204	VIC	471526!
6193	C-R	471466!*	62044	VIC	472311	620C01035	SEAMA	415371	62205	VIC	471526!
6195	C-R	471466!	62045	VIC	42352S	620C01041	AM MA	417554!	62206	VIC	471526!
619586C91	IH	413246	620456	ADAMS	415645!	620C01048	AM MA	416892!	62208	VIC	471472!
619621C91	IH	416288!	620456	ADAMS	455104	620C01052	AM MA	415371	62209	VIC	471472!
619775C1	IH	JX1401=	62046	VIC	340413	620C01053	AM MA	416404!	62210	VIC	471472!
619884	WHITE	415138!	62049	VIC	340787	6210	C-R	471466!	62210000	AM BR	471695=
619888	ALLCH	472179	620491	SPICE	471276	62100	VIC	416404!	62211	VIC	471472!
619890	ALLCH	416891!	620491	SPICE	474127	62101	TROS	9015S	62212	VIC	471466!
619900	ALLCH	471138!	620493	SPICE	471737	62101	VIC	416297	62213	VIC	471466!
619901	ALLCH	471689!	6204G	P-C	TCS45472	62102	VIC	6358	62214	VIC	471466!
619982C91	IH	472439	62050	VIC	46997S	62102S	TROS	9015S	62215	VIC	471466!
62-F95C	PUL	415995!	62051	VIC	350364	621033R91	IH	471831!	62216	VIC	471264!
620-C-01019	REX	471271!	620512	ADAMS	415991	62106	VIC	415725!	62218	VIC	471264!
620-C-1018	REX	412119!	620512	ADAMS	455146!	6210713281	KOMAT	927120	62219	VIC	471264!
620-C-1034	REX	415371	62053	VIC	40576S	62108	VIC	415938	62220	TROS	8168=
620-C-1052	REX	415371	620531	WHITE	416167!	6211	C-R	471466!	62220	VIC	471255!
62000	C-R	2628!	620532X20	TROS	370027A	6211115	WHITE	455480!	62220SK	VIC	471255!
62000	C-R	39885	62054	VIC	40566S	6211116	WHITE	471766!	62221	TROS	484054
62000	C-R	39887	62055	VIC	471413	621156	ALLCH	412040	62221	VIC	471255!
62000	VIC	471264	620590	SPICE	710043	621187	ADAMS	415138!	62222	VIC	471255!
62001	C-R	39888	62060	VIC	42763	621189C91	IH	473238	62223	VIC	471255!

! Industrial Size/Type * Minor Width Difference

= The U.S. customer service number is 877-4-TIMKEN. The Canadian customer service numbers are 800-565-4927 (English) and 800-565-0438 (French-Canadian).

NUMERICAL INTERCHANGE

Zero Duplication or Recommended Industrial		Zero Duplication or Recommended Industrial		Zero Duplication or Recommended Industrial		Zero Duplication or Recommended Industrial		
Mfr. No.	Name	Mfr. No.	Name	Mfr. No.	Name	Mfr. No.	Name	
62224	VIC	471564	622538	MANT	416239!	62283	VIC	473010!
62225	VIC	471564	622539	MANT	415076	62284	VIC	473010
62226	VIC	471564	622540	MANT	416476!	62285	VIC	6936S *
62228	VIC	470954!	622542	MANT	416666	62286	VIC	471466!
62229	VIC	470954!	622543	MANT	417298	62287	VIC	473010!
62230	VIC	470954!	62255	VIC	471646!	62288	VIC	473010!
622300C91	IH	455019!	622555	MANT	416892!	62289	VIC	473232!
622300C92	IH	455019!	62256	VIC	470590	6229	C-R	473232!
622301C91	IH	473238!	622561	MANT	417487!	62290	VIC	473232!
622309	WOOL	416071	622561	MANT	417487	62291	VIC	473237!
62231	VIC	470954!	62257	VIC	470590	62292	VIC	473237!
62232	VIC	471554!	622573	MANT	415001!	62293	VIC	473237!
622322	MANT	471760	622578	MANT	455471	62294	VIC	473237!
622325	MANT	455583N!	62258	VIC	470590	62295	VIC	473237!
62233	VIC	471554!	62259	VIC	470590	62296	VIC	473237!
622332	MANT	481568!	6226	SPG	471271!	62297	VIC	472164!
62234	VIC	471554!	62260	VIC	471224!	62298	VIC	472185!
62235	VIC	471554!	62261	VIC	471224!	62298A	ALLCH	472185!
62236	VIC	471567!	622610C91	IH	240735	62299	VIC	472185!
62237	VIC	471567!	62262	VIC	471224!	6230	C-R	472179
62238	VIC	471567!	622620	MANT	415991	62300	VIC	472179
622382	MANT	473464	622620	MANT	455146!	62301	VIC	472179
622382	MANT	473464!	622625	MANT	416339	62302	VIC	472179
622386	MANT	416404!	622625	MANT	455031!	62303	VIC	472179
622387	MANT	45525S	622627	MANT	417546!	62303	VIC	472439
62239	VIC	471567!	622633	MANT	417596	62303	VIC	472439
62240	VIC	471643!	62264	VIC	471649!	62304	VIC	472439
62240S	TROS	8133S	62265	VIC	471649!	62305	VIC	472439
62241	VIC	471643!	62266	VIC	471649!	62306	VIC	472572!
622416	MANT	416229	62268	VIC	471689!	62307	VIC	472572!
62242	VIC	471643!	62269	VIC	471689!	62308	VIC	472572!
62243	VIC	471643!	6226LA	JN-MN	450285	62309	VIC	472572!
62244	VIC	471267!	62270	VIC	471689!	62310	VIC	415379!
62245	VIC	471267!	622703	WMG	008	62311	VIC	415379
622456	MANT	55223=	622704	FMW	009	62312	VIC	472572!
62246	VIC	471267!	622705	WMG	010	62313	VIC	473238!
62247	VIC	471267!	622706	WMG	011	62314	VIC	473238
62248	VIC	471570!	622708	WMG	110	62316	VIC	473238!
62249	VIC	471570!	622709	WMG	111	62317	VIC	473238!
622492	MANT	416107!	622710	WMG	112	62318	VIC	473239!
622492	MANT	455073	622711	WMG	113	62319	VIC	473239
622496	MANT	417316!	622712	WMG	114	623197	ALLCH	473239!
622497	MANT	417082	622713	WMG	115	62320	VIC	473239!
622498	MANT	417211!	622714	WMG	116	62321	VIC	473240!
6225	C-R	471466!	622715	WMG	210	62322	VIC	473240!
62250	VIC	471570!	622716	WMG	211	62323	VIC	413248
622500	MANT	415437	622717	WMG	212	62325	VIC	473240!
622504	MANT	455397	622718	WMG	213	62326	VIC	471424!
622505	MANT	412040	622719	WMG	214	62327	VIC	471424!
622506	MANT	415991	62272	VIC	471733	62328	VIC	471424!
622506	MANT	455146!	622720	WMG	215	62329	VIC	471424!
622507	MANT	415991	622721	WMG	216	62330	VIC	472492!
622507	MANT	455146!	622722	WMG	217	62332	VIC	472492!
622509	MANT	416229	622723	WMG	218	62333	VIC	75251S
62251	VIC	471570!	622724	WMG	219	62334	VIC	472492!
622512	MANT	415047	622725	WMG	220	62336	VIC	472492!
622513	MANT	411253!	622726	WMG	221	62337	VIC	240009
622516	MANT	417269!	622727	WMG	222	62338	VIC	240009
622518	MANT	415027!	622728	WMG	325	62339	VIC	205035
622518	MANT	415027	622729	WMG	326	62340	VIC	472924!
62252	VIC	471646!	62273	VIC	471733	62341	VIC	8610
622526	MANT	415088	62274	VIC	471733	62342	VIC	472924!
622526	MANT	415088!	62275	VIC	471733	62343	VIC	472924!
622527	MANT	417487	62276	VIC	471652	62344	VIC	472924!
62253	VIC	471646!	62276	VIC	482208!	62344	GERL	472397!
622532	MANT	417269!	62277	VIC	471652	62345	VIC	472397!
622533	MANT	415035	62278	VIC	471652	62346	VIC	472397!
622533	MANT	415035!	62279	VIC	471652	62346-1	SPICE	472397!
622534	MANT	417278	6228	C-R	471466!	62346-1	SPICE	473242
622535	MANT	412473!	62280	VIC	471692!	62346-2	SPICE	473242
622537	MANT	415645!	62281	VIC	471692!	62346-3	SPICE	472636!
622537	MANT	455104	62282	VIC	471692!	62347	VIC	205035

! Industrial Size/Type *Minor Width Difference

=The U.S. customer service number is 877-4-TIMKEN. The Canadian customer service numbers are 800-565-4927 (English) and 800-565-0438 (French-Canadian).

Mfr. No.	Name	Zero Duplication or Recommended Industrial	Mfr. No.	Name	Zero Duplication or Recommended Industrial	Mfr. No.	Name	Zero Duplication or Recommended Industrial	Mfr. No.	Name	Zero Duplication or Recommended Industrial
6241	EATON	470950!	6246314	SPICE	474276!	62512	VIC	415303!	6255	GR-DV	416865!
6241	EATON	6241S	624632	SPICE	473229	62514	VIC	415303!	6255	HU-WR	416865!
6241	SEAMA	471424!	624632-5	SPICE	473229	62516	VIC	417344!	6255	MINMA	416865!
6241	SPG	6241S	624633	SPICE	472397!	62517	VIC	417344!	625520R91	IH	481163!
62410	VIC	473242	624634-2	SPICE	415458!	62518	VIC	417344!	625521R91	IH	470954!
62411	VIC	473242	624636	SPICE	416654	62519	VIC	417344!	625534	WHITE	451583!
62412	VIC	473204	624638	SPICE	452742	62520	VIC	417158!	62554	C-R	417258
62413	VIC	473204	624639	SPICE	6668S	62521	VIC	417158!	6255508	GMC	7537S
62414	VIC	473204	62464	VIC	471271!	62522	VIC	9864S	62558	C-R	417262!
62415	VIC	473204	62465	VIC	471271!	62522SF	VIC	9864S	6255851	GMC	7456N
62416	VIC	470898	624650	ALLCH	451817	62523	VIC	417158!	62558M1	C-R	417262!
62417	VIC	470898	624653	ALLCH	411376!	62524	VIC	416921!	6255CR	F-R-H	416865!
62418	VIC	470898	624655	ALLCH	416345!	62525	VIC	416921!	6255K	FAIRB	416865!
62419	VIC	470898	624655	ALLCH	455033	62526	VIC	416921!	6255M1	C-R	416865!
6241A	EATON	471795	62466	VIC	471271!	62527	VIC	416921!	6256074	GMC	471193
6241H	TRUK	473467!	62467	VIC	471271!	62527R91	IH	473467!	62563	VIC	476470!
6241R	JN-MN	455583N!	62468	VIC	470605!	62528	VIC	417349!	62563	VIC	476470
6241S	NATL	470950!	62469	VIC	470605!	62529	VIC	100495	625631	CONTI	471763
62420	TROS	472070	6247	C-R	471291V	62529	VIC	417349	625634	CATER	415350
62420	VIC	472015!	62470	VIC	470605!	62530	VIC	417349!	62564	VIC	417181!
62421	VIC	472015!	62471	VIC	470605!	62531	VIC	100495	62565	VIC	417181!
62422	VIC	472015!	62472	VIC	415449!	62531	VIC	417349	62566	VIC	417181!
62422A	VIC	472015!	62473	VIC	415449!	62532	VIC	417350!	6256603	GMC	7338N
62423	VIC	472015!	62474	VIC	415449!	62533	VIC	417350!	62567	VIC	417181!
62424	VIC	472016!	62475	VIC	415449!	62534	VIC	417350!	62568	VIC	418028
62426	VIC	472016!	62476	VIC	416273	62535	C-R	417562	6256804	GMC	331173
62427	VIC	472016!	62477	VIC	416273	62535	VIC	417350!	62569	VIC	418028
62428	VIC	473243	62478	VIC	416273	62536	VIC	415995*	6256973	GMC	331173
62429	VIC	473243	62479	VIC	416273	62536	VIC	415995!	62570	VIC	418028
62430	VIC	473243	6248	C-R	471291V	62537	VIC	415995*	62571	VIC	418028
62431	VIC	473243	62480	VIC	413248	62537	VIC	415995!	62572	C-R	415854
62432	VIC	471272!	62481	VIC	413248	62538	VIC	415995*	62572	VIC	417353!
62433	VIC	471272!	62482	VIC	413248	62538	VIC	415995!	62573	VIC	417353!
62434	VIC	471272!	62482	VIC	5971	62539	VIC	415995*	6257354	GMC	472705!
62435	VIC	471272!	624825	MICH	417596	62539	VIC	415995!	62574	VIC	417353!
624359	CLARK	470380!	624825	UNIVE	417596	6254	C-R	417223	6257476	GMC	7456N
62436	VIC	471138!	62483	VIC	413248	62540	C-R	417562	62575	VIC	417353!
624360	CLARK	471760	62484	VIC	415483	62540	VIC	417351!	6257604	GMC	7537S
624361	CLARK	415449!	62486	VIC	415458!	62541	C-R	417562	6257834	GMC	7338N
624362	CLARK	415995!	62486	VIC	415483	62541	VIC	417351!	6257C	DIA	472924!
62437	VIC	471138!	62488	VIC	415458!	625410	C-R	417238	6257C	WHITE	472924!
62438	VIC	471138!	62489	VIC	415458!	625410M1	C-R	417238	6257LA	JN-MN	417316!
62439	VIC	471138!	62490	VIC	415458!	625412	C-R	415060	6257LPD	JN-MN	417316!
62440	VIC	472636!	62492	VIC	417343!	625412	C-R	455060	62580	VIC	412473!
62441	VIC	472636!	62493	VIC	417343!	625412	WHITE	370019A	62581	VIC	412473!
62442	VIC	472636!	62494	VIC	417343!	625414	C-R	415351!	62582	VIC	412473!
62443	VIC	472636!	62495	C-R	455480!*	625416	C-R	415351!	62583	VIC	412473!
62444	VIC	412920!	62495	VIC	417343!	625416M1	C-R	415351!	62584	VIC	417191
62445	VIC	412920!	62496	VIC	416664!	625418	C-R	457585	62585	VIC	417191
62446	VIC	412920!	62497	C-R	455480*	62542	VIC	417351!	62586	C-R	3807
62447	VIC	412920!	62497	VIC	416664!	625420	C-R	415064	62586	VIC	417191
62448	VIC	470565!	62498	VIC	416664!	625420M1	C-R	415064	62587	VIC	417191
62449	VIC	470565!	62499	VIC	416664!	625422	C-R	417536	62588	C-R	3807
6245	C-R	416865!	625	ROTO	471801!	625424	C-R	415066	62588	VIC	417354!
6245	GW	416865!	6250	C-R	450535	625424M1	C-R	415066	62589	VIC	417354!
62450	VIC	470565!	6250	C-R	471264!	625426	C-R	456890	62590	VIC	417354!
62451	VIC	470565!	62500	C-R	455480!	625426M1	C-R	456890	62591	VIC	417354!
62452	VIC	413246	62500	VIC	415984!	625428	C-R	417269!	6259146	GMC	413470!
62453	VIC	413246	62501	VIC	415984!	625428	GR-DV	417269!	6259190	GMC	472394
62454	VIC	413246	62502	VIC	415984!	625428M1	C-R	417269!	62592	VIC	416624!
62455	VIC	413246	62503	VIC	415984!	62543	VIC	417351!	62593	VIC	416624!
62456	VIC	413247!	62504	VIC	417316!	625430	C-R	417273	62594	VIC	416624!
62457	VIC	413247!	62505	VIC	417316!	625430M1	C-R	417273	62595	VIC	416624!
62458	VIC	413247!	62506	VIC	417316!	62544	C-R	455056	62596	VIC	415991
62459	VIC	413247!	62507	VIC	417316!	62546	C-R	417516	62596	VIC	415991!
6245M1	C-R	416865!	62508	VIC	415960	62548	C-R	415058	62597	VIC	415991
6245M1	GW	416865!	625088	ALLCH	471526!	62548	GR-DV	472157	62597	VIC	455146!
62460	VIC	416271!	62509	VIC	415960!	62548	GR-DV	472157!	62598	VIC	415991
62461	VIC	416271!	62509	VIC	415960*	6254K	FAIRB	417223	62598	VIC	415991!
62462	VIC	416271!	62510	VIC	415960	6254M1	C-R	417223	62599	VIC	415991
624621	GERL	413478	62510	VIC	4564V	6255	C-R	416865!	62599	VIC	415991!
62463	VIC	416271!	62511	C-R	55316=	6255	CABOT	416865!	625B5	C-R	416865!

! Industrial Size/Type * Minor Width Difference

= The U.S. customer service number is 877-4-TIMKEN. The Canadian customer service numbers are 800-565-4927 (English) and 800-565-0438 (French-Canadian).

NUMERICAL INTERCHANGE

Mfr. No.	Name	Zero Duplication or Recommended Industrial	Mfr. No.	Name	Zero Duplication or Recommended Industrial	Mfr. No.	Name	Zero Duplication or Recommended Industrial	Mfr. No.	Name	Zero Duplication or Recommended Industrial
625E5	C-R	416865!	62657M	VIC	415035	627209	CHRY	450273	627981	SPERY	1049
625M420-L	C-R	415064	62657M	VIC	415035!	62721	VIC	417262!	627D-198	BENDI	473240!
625W4	C-R	417223*	62658	VIC	415035*	62722	VIC	417262!	6280	C-R	471264!
625W412	C-R	415060	62659	VIC	415035	62723	VIC	417262!	62804	VIC	415498
625W412	C-R	455060	62660	VIC	417356!	62724	VIC	417358	62806	VIC	415035
625W422	C-R	417536*	62661	VIC	417356!	62725	VIC	417358	62806	VIC	415035!
625W424	C-R	415066*	62662	VIC	417356!	62726	VIC	417358	62808	VIC	417247!
62600	VIC	417196!	62663	VIC	417356!	62727	VIC	417358	62809	VIC	417350=
62601	VIC	417196!	62664	VIC	417357	62728	VIC	415645!	62813	VIC	417365
62602	VIC	417196!	62665	VIC	417357	6273	WOODB	470059	62815	VIC	410825
62603	VIC	417196!	62665A	VIC	456946N=	6273	WOODB	470380!	62825	VIC	471785!
62604	VIC	415437	62666	VIC	417357	627315C1	IH	JV1517=	62827	VIC	471795
62605	VIC	415437	62667	VIC	417357	627316C1	IH	200919=	628274	ALLCH	411452=
62606	VIC	415437	62668	AM WH	418028	627316C41	IH	200919=	62831	VIC	332134
62607	VIC	415437	62668	AM WH	455137!	62732	VIC	417359	62833	VIC	415960!
6260707	GMC	472572!	62668	VIC	416130!	62733	VIC	417359	628357	ALLCH	415991
6260718	GMC	473010!	62669	VIC	416130!	62734	VIC	417359	628357	ALLCH	415991!
62608	VIC	416332!	62670	VIC	416130!	62735	VIC	417359	6283576	ALLCH	415991!
62609	VIC	416332!	62671	VIC	416130!	62736	VIC	417254	6283576	ALLCH	415991
62610	VIC	416332!	62672	VIC	416556!	62737	VIC	417254	62836R1	IH	473463
62611	VIC	416332!	62672	VIC	472157	62738	VIC	417254	62837R11	IH	473463
62612	VIC	415937!	62673	VIC	416556!	62739	VIC	417254	62837R91	IH	473463
62613	VIC	415937!	62673	VIC	472157	6273946	GMC	722109	62839	VIC	471413!
62614	VIC	415937!	62674	VIC	416556!	6273948	GMC	471271!	62840	VIC	471652
62615	VIC	415937!	62674	VIC	472157	6273949	GMC	416273	62841	VIC	471763
62616	VIC	417355!	62675	VIC	416556!	6273977	GMC	5131	62842	VIC	471689!
62617	VIC	417355!	62675	VIC	472157	62740	VIC	417360	628485	ALLCH	415302
62618	VIC	417355!	62677	VIC	415196!	62741	VIC	417360	62851	VIC	473237!
62619	VIC	417355!	62677M	VIC	415196!	62742	VIC	417360	62855	VIC	474276!
62620	VIC	416125!	62680	VIC	416891!	62743	VIC	417360	62860	VIC	415295
62621	VIC	416125!	626800	MICH	416229	62744	VIC	416107!	62863	VIC	J1825
62622	VIC	416125!	62681	VIC	416891!	62745	VIC	416107!	62864	VIC	3813
62623	VIC	416125!	62682	VIC	416891!	62746	VIC	416107!	62868	VIC	470605!
62624	VIC	416041	62683	VIC	416891!	62747	VIC	416107!	62872	VIC	410987!
62625	VIC	416041	62684	VIC	416135!	62748	VIC	417361	628823	ALLCH	472636!
626255C91	IH	415871H=	62685	VIC	416135!	62749	VIC	417361	628837	UNIVE	455584
626257C91	IH	416666	62686	VIC	416135!	62750	VIC	417361	628838	MICH	455584
626259C91	IH	415234!	62687	VIC	416135!	62751	VIC	417361	62885D	IH	417316!
62626	VIC	416041	62688SH	JN-MN	254270	62752	VIC	417362!	62885M1	VIC	2628!
62627	VIC	416041	62688SS	JN-MN	343185	62753	VIC	417362!	62886D	IH	415025
62628	VIC	415379	62692	VIC	416153!	62754	VIC	417362!	628894	ALLCH	415379
62629	VIC	3893V!	6269204	GM	17760	62755	VIC	417362!	628940	ALLCH	476470!
62629	VIC	415379!	62693	VIC	416153!	62756	VIC	417363	628940	ALLCH	476470
62630	VIC	415379	62694	VIC	416153!	62757	VIC	417363	628941	ALLCH	415449!
62631	VIC	415379	62695	VIC	416153!	62758	VIC	417363	6289LA	JN-MN	415995!
62632	VIC	417205!	62696	VIC	416892!	62759	VIC	417363	62903SC	VIC	415984!
62633	VIC	417205!	6269688	GM	17720	62760	VIC	416666	629040	ALLCH	417316!
62634	VIC	417205!	62697	VIC	416892!	62761	VIC	416666	62922	VIC	471692!
62635	VIC	417205!	62698	VIC	416892!	62761A	VIC	416666	62925	VIC	417350!
62636	VIC	416339	62699	VIC	416892!	62762	VIC	416666	62925M	VIC	417350=
62637	VIC	416339	6269SS	JN-MN	50883=	62763	VIC	416666	6292SS	JN-MN	472016!*
62638	VIC	416339	626B5	C-R	416865!*	62764	VIC	417364	62930	C-R	160X185X10
62639	VIC	416339	626BM5	C-R	416865!*	62765	VIC	417364	62931	VIC	416706=
6263LA	JN-MN	415295	62700	VIC	415138!	62766	VIC	417364	629317	CONTI	455080
62640	VIC	417211!	62700	VIC	714750	62767	VIC	417364	62933	VIC	415958
62641	VIC	417211!	62701	TROS	473454	62768	VIC	417365	62935	C-R	160X185X10V
62642	VIC	417211!	62701	VIC	415138!	62769	VIC	417365	629355R91	IH	473214
62643	VIC	417211!	62702	VIC	415138!	62770	VIC	417365	62940	C-R	160X190X15
62648	VIC	415697!	62703	VIC	415138!	62771	VIC	417365	62941	C-R	160X190X15V
62649	VIC	415697!	62704	VIC	417247!	62772	VIC	415072	629419	CLARK	470712!
626495C91	IH	5147=	62705	VIC	417247!	62773	VIC	415072	62945	C-R	160X190X15V
6264R	JN-MN	417511	62706	VIC	417247!	62774	VIC	415072	6294LA	JN-MN	416339
62650	VIC	415697!	62707	VIC	417247!	62775	VIC	415072	6294LA	JN-MN	455031!
62651	VIC	415697!	6270LA	JN-MN	417254	62775TA	TRSCM	417562	6295LA	JN-MN	415036*
62652	VIC	417366!	6270S	NATL	6270	62784	VIC	411376!	62960	VIC	471750!
62653	VIC	417366!	62712	VIC	416865!	627875C92	IH	3126* =	6296LA	JN-MN	410737!
62654	VIC	417366!	62713	VIC	416865!	627878	CHRY	473179!	629733	ALLCH	411178=
62655	VIC	417366!	62714	VIC	416865!	62789	AM WH	471750!	6298216	B-L-H	471231!
62656	VIC	415035*	62714H	IH	473473	62790	AM WH	455136	6298416	B-L-H	471281!
62656	VIC	415035!	62715	VIC	416865!	62793	VIC	416339	6298LA	JN-MN	473463
62657	VIC	415035	62718	C-P	472560N!	62794BX	OSHKO	416624!	62D48	CYCLO	471413!
62657	VIC	415035!	62720	VIC	417262!	62796	VIC	416476!	62E365	CUSH	470625!

! Industrial Size/Type * Minor Width Difference

= The U.S. customer service number is 877-4-TIMKEN. The Canadian customer service numbers are 800-565-4927 (English) and 800-565-0438 (French-Canadian).

Zero Duplication or Recommended Industrial		Zero Duplication or Recommended Industrial		Zero Duplication or Recommended Industrial		Zero Duplication or Recommended Industrial					
Mfr. No.	Name	Mfr. No.	Name	Mfr. No.	Name	Mfr. No.	Name				
62E446	CUSH	471571	62X2170	GARLK	417349	62X3544	GARLK	415867	62X80	GARLK	473405
62E456	CUSH	471766!	62X2172	GARLK	417350!	62X3601	GARLK	417601	62X80X10SC	TRSCM	62X80X10
62GT-1	TROS	9015S	62X2174	GARLK	415995!	62X3610	GARLK	417604	62X80X10TC	TRSCM	62X80X10
62GT-2	TROS	9015S	62X2174	GARLK	415995!	62X362	GARLK	471785!	62X80X9ASN	ISP	62X80X9
62X1048	GARLK	472572!	62X2177	GARLK	417351!	62X3624	GARLK	415090	62X829	GARLK	473445
62X1050	GARLK	472572!	62X2180	GARLK	417487	62X3660	GARLK	417605	62X835	GARLK	473234
62X1057	GARLK	473238	62X2180	GARLK	417487!	62X3673	GARLK	417198	62X837	GARLK	473234
62X1069	GARLK	473240!	62X2183	GARLK	417488!	62X37	GARLK	50199S!	62X843	GARLK	474265
62X1075	GARLK	473458!	62X2186	GARLK	455019!	62X37	GARLK	6863S!	62X859	GARLK	471981
62X1111	GARLK	471538!	62X219	GARLK	471646!	62X38	GARLK	50199S!	62X85X8/10TAY	TRSCM	226285
62X1114	GARLK	472319	62X2198	GARLK	455019!	62X38	GARLK	6863S!	62X85X8SC	TRSCM	62X85X8!
62X1129	GARLK	472144!	62X2225	GARLK	417621!	62X383	GARLK	472475	62X85X8TC	TRSCM	62X85X8!
62X113	GARLK	471553!	62X2237	GARLK	416297	62X385	GARLK	473426	62X87	GARLK	471466!
62X1135	GARLK	472394	62X224	GARLK	471137	62X3869	GARLK	472705!	62X898	GARLK	471504!
62X1150	GARLK	450472!	62X2270	GARLK	476470	62X387	GARLK	471765!	62X904	GARLK	472164!
62X1162	GARLK	450474	62X2273	GARLK	47181!	62X388	GARLK	471765!	62X906	GARLK	472164!
62X1186	GARLK	471870!	62X2327	GARLK	417354!	62X390	GARLK	471354!	62X907	GARLK	472185!
62X1189	GARLK	472492!	62X2348	GARLK	417493	62X3921	GARLK	417601	62X909	GARLK	472185!
62X1191	GARLK	472492!	62X2366	GARLK	415991	62X3938	GARLK	417604	62X90X10SC	TRSCM	62X90X10
62X1201	GARLK	470530!	62X2366	GARLK	455146!	62X3949	GARLK	455966	62X90X10TC	TRSCM	62X90X10
62X1204	GARLK	472397!	62X2367	GARLK	415991	62X3954	GARLK	455462	62X91	GARLK	471255!
62X1206	GARLK	472397!	62X2367	GARLK	455146!	62X4031	GARLK	55228=	62X913	GARLK	472179
62X1323	GARLK	470898	62X2369	GARLK	417196!	62X4062	GARLK	415076	62X928	GARLK	471984
62X1329	GARLK	472015!	62X2372	GARLK	415437	62X424	GARLK	471750!	62X9808	GARLK	471689!
62X1332	GARLK	410308!	62X2393	GARLK	415711	62X425	GARLK	471750!	63 AU-WS		417344!
62X1340	GARLK	472409!	62X2417	GARLK	416332!	62X427	GARLK	471766!	63 BL-KN		471267!
62X1402	GARLK	472018	62X2421	GARLK	415937!	62X430	GARLK	471787!	63 WGEAR		417491
62X144	GARLK	471567!	62X2462	GARLK	415379	62X439	GARLK	450165	63-0001	MCCOR	12473
62X147	GARLK	471643!	62X2462	GARLK	415379!	62X439	GARLK	471801!	63-463-1	DANA	417484
62X1471	GARLK	471341!	62X2501	GARLK	417211!	62X441	GARLK	450165	63006	VIC	240319
62X1473	GARLK	471341!	62X2504	GARLK	416345!	62X441	GARLK	471801!	63008J+65055W	TRISL	370054A
62X1476	GARLK	471272!	62X2519	GARLK	476470!	62X4503	GARLK	55301S	63009J+65000W	TRISL	370015A
62X148	GARLK	471643!	62X2519	GARLK	476470	62X4507	GARLK	455462	63010J+65073W	TRISL	370013A
62X1494	GARLK	472636!	62X2537	GARLK	415035	62X4560	GARLK	415294!	63013	VIC	415995!
62X1504	GARLK	411376!	62X2600	GARLK	417511	62X484	GARLK	450129	63013J+65261W	TRISL	370036A
62X1505	GARLK	411376!	62X2636	GARLK	417513	62X484	GARLK	472826!	63013J+65261W	TRISL	370349A
62X159	GARLK	481443!	62X2663	GARLK	416891!	62X50	GARLK	471442!	63013J+65261W	TRISL	380036A
62X1642	GARLK	470565!	62X270	GARLK	451583!	62X5246	GARLK	470625!	63014J+65277W	TRISL	370030A
62X1644	GARLK	470565!	62X2711	GARLK	416380!	62X535	GARLK	470774!	63016	VIC	416229
62X1654	GARLK	413246	62X2723	GARLK	416149	62X543	GARLK	471192	63018	VIC	473210
62X1656	GARLK	413246	62X2753	GARLK	416888!	62X544	GARLK	473214!	63018J+65054W	TRISL	417506
62X1658	GARLK	412119!	62X2759	GARLK	416892!	62X546	GARLK	473214	630196C91	IH	471649=
62X1668	GARLK	412171!	62X2807	GARLK	416158	62X548	GARLK	473215!	6301LA	JN-MN	471496*
62X1680	GARLK	417480!	62X2837	GARLK	415138!	62X55	GARLK	471549!	630226	WILYS	471787
62X175	GARLK	471539!	62X287	GARLK	471224!	62X550	GARLK	470950!	63023J+65262W	TRISL	370065A
62X1750	GARLK	417073	62X288	GARLK	471224!	62X550	GARLK	6241S	63023J+65262W	TRISL	380065A
62X1752	GARLK	417073	62X291	GARLK	471649!	62X551	GARLK	470950!	63025	VIC	7300S
62X1807	GARLK	471271!	62X2915	GARLK	415725!	62X551	GARLK	6241S	63026J+65084W	TRISL	370019A
62X1819	GARLK	415449!	62X2921	GARLK	416865!	62X552	GARLK	470950!	63026J+65285W	TRISL	370019A
62X1821	GARLK	415449!	62X2922	GARLK	416865!	62X552	GARLK	6241S	63028J+65287W	TRISL	370007A
62X1882	GARLK	413479	62X2927	GARLK	417541	62X592	GARLK	473224!	63028J+65297W	TRISL	370057A
62X1939	GARLK	415483!	62X293	GARLK	471689!	62X597	GARLK	473016!	63030	VIC	473227!*
62X1948	GARLK	417343!	62X3059	GARLK	417262!	62X624	GARLK	473439!	63031	VIC	473228!
62X1993	GARLK	455434	62X3067	GARLK	415645!	62X643	GARLK	470625!	63032	VIC	472164!
62X2004	GARLK	455151	62X3067	GARLK	455104	62X644	GARLK	470625!	630327	ALLCH	471538!
62X2032	GARLK	480491	62X3184	GARLK	416107!	62X645	GARLK	470625!	63033	VIC	471141!*
62X2035	GARLK	416664!	62X3184	GARLK	455073	62X646	GARLK	470059	630334C91	IH	413248
62X2038	GARLK	417484!	62X323	GARLK	471651	62X646	GARLK	470380!	630335C91	IH	417344!
62X2044	GARLK	417316!	62X3277	GARLK	417362!	62X648	GARLK	470059	63034	VIC	473179!
62X2045	GARLK	417316!	62X3278	GARLK	417363	62X648	GARLK	470380!	63034J+65291W	TRISL	370012A
62X2046	GARLK	417316!	62X3279	GARLK	417363	62X655	GARLK	473228	63035	VIC	472394
62X2047	GARLK	415960	62X3280	GARLK	417363	62X657	GARLK	473228	63036	VIC	470530!
62X2048	GARLK	415960	62X3281	GARLK	416666	62X664	GARLK	473440!	63036J+65263W	TRISL	370001A
62X2049	GARLK	415960	62X3282	GARLK	416666	62X700	GARLK	472213	63036J+65263W	TRISL	380001A
62X2086	GARLK	455005	62X3283	GARLK	416666	62X707	GARLK	471821!	63037	VIC	470898
62X2088	GARLK	455005	62X3355	GARLK	415683	62X717	GARLK	470682	63037J+65092W	TRISL	370048A
62X2115	GARLK	415303!	62X3367	GARLK	415072	62X760	GARLK	473231	63037J+65092W	TRISL	380048A
62X2124	GARLK	416921!	62X3384	GARLK	415074	62X762	GARLK	473231	63037J+65298W	TRISL	370037A
62X213	GARLK	471267!	62X3426	GARLK	415294!	62X769	GARLK	473010	63037J+65298W	TRISL	370338A
62X215	GARLK	471570!	62X351	GARLK	471652	62X77	GARLK	471532	63040	VIC	412119*
62X216	GARLK	471570!	62X3518	GARLK	416044	62X772	GARLK	473232	63041	VIC	415449!
62X2168	GARLK	417349	62X353	GARLK	471692!	62X774	GARLK	473232	63042	VIC	415001!

! Industrial Size/Type * Minor Width Difference

= The U.S. customer service number is 877-4-TIMKEN. The Canadian customer service numbers are 800-565-4927 (English) and 800-565-0438 (French-Canadian).

NUMERICAL INTERCHANGE

Mfr. No.	Name	Zero Duplication or Recommended Industrial	Mfr. No.	Name	Zero Duplication or Recommended Industrial	Mfr. No.	Name	Zero Duplication or Recommended Industrial	Mfr. No.	Name	Zero Duplication or Recommended Industrial
63043	VIC	415960*	63112	VIC	417316!	63201S	TROS	8477S	633	C-R	5M497
63044	VIC	417344!*	63113	VIC	472439*	63202	TROS	9195S=	63301S	TROS	9178S
63045	VIC	417159*	63114	VIC	410825	63202	VIC	7600S	63302	VIC	9613S
63046	VIC	416654*	63115	VIC	80313	63203	VIC	472409!	63303	VIC	470380!
6305	TMTR	472560N!	63116	VIC	200600	6320331A	HERCU	471137	63303	VIC	472189A
63050	VIC	471141!*	6311837	H-S	50010	632033R91	IH	471831!	63304	VIC	471344*
63051	VIC	7208S	6311837	HERCU	50010	63203S	TROS	473228	6330LA	JN-MN	471733
63052	VIC	471827*	6312	C-R	471264!	63209	VIC	472179	6330LPD	JN-MN	471733
63053	VIC	471829*	63122	VIC	343185	63213	VIC	343104	63310	VIC	204017
63053J+65261W	TRISL	370036A	63123	VIC	312518!	63215	VIC	471529	633103C91	IH	5276*=
63053J+65261W	TRISL	370349A	63123	VIC	342518	6321593	HERCU	471255!	63313	VIC	473235!*
63053J+65261W	TRISL	380036A	6313046	H-S	471553!	6321606A	HERCU	350156	63314	VIC	473234!*
63055	VIC	471272!	6313046	HERCU	471553!	6321606A	HERCU	473096	63316	VIC	6840S
63057	VIC	472397!*	631305R91	IH	417079	63226	VIC	415001!	63319	VIC	471504
63058	VIC	410987*=	631319C91	IH	5175*=	6323	C-R	471264!	63321	VIC	6489*
63060	VIC	473228	63132	VIC	343101	63231	VIC	347304	63325	VIC	323119
63062	VIC	43095S!	631324C1	IH	JV829=	63232	VIC	330385!	63333	VIC	471141!
630621C1	IH	417269*	63139	VIC	481443!	63237	VIC	345035	63337	VIC	6781*
63062J+65011W	TRISL	370047A	63140	VIC	355669	6324	C-R	471264!	63338	VIC	473450!
63063J+65011W	TRISL	415437	63142	VIC	472560N	63240	TROS	484058	63339	VIC	6547*
63063J+65073W	TRISL	370002A	63145	VIC	350936	63241S	TROS	8597S	63342	VIC	353120
63066	VIC	470712!	63148	VIC	351487	63243	VIC	471264!	633433R91	IH	471831!
63067	VIC	473179	6315	C-R	471264!	6324394A	HERCU	471649!	63344	VIC	6815
630680	FWD	473215!	63150	VIC	240733	63246	VIC	327215	633444R91	IH	471831!
630680	WILYS	473215!	63156	VIC	343104	63246	VIC	415035	633446R91	IH	290070=
63071	VIC	414045!	63157	VIC	342805	63247	VIC	470530!	633446R91	IH	472185!
630724	WILYS	473444	63158	VIC	340847	6324867A	HERCU	350909	633447R91	IH	472311!
63074	VIC	472015!*	63159	VIC	343105!	6324867A	HERCU	471224!	63345	VIC	471195!
63076	VIC	410737!*	63159	VIC	7399S	6325	C-R	471264!	63347	VIC	473459*
63077	VIC	418028	6316	C-R	471264!	63250010	TROS	417541	63349	VIC	472144!
63079	VIC	5711*	63160	VIC	340849	63251610	TROS	417547	63350	VIC	40094S
63079J+65283W	TRISL	370006A	63160S	TROS	8430S	63252410	TROS	455576!	63351	VIC	472492!
6308	C-R	471264!	63161	VIC	340387	63253210	TROS	417254	63354	VIC	470898!
63083J+65287W	TRISL	370007A	63162	VIC	340826	632532X18	TROS	417254	63356	VIC	410308*
63084	VIC	470354	63163	VIC	470954!	63258	VIC	340724!	63358	VIC	40097S
63085	VIC	472636!	63165	VIC	240731	632589	ALLCH	J1044=	63360	VIC	410737!*
63086	CLARK	471750!	63166	VIC	340835	63259	VIC	471466!	63361	VIC	472636!
63086	WAUKE	471649!	6316675	H-S	481644	6325LA	JN-MN	416865!	63362	VIC	411253!
63088J+65071W	TRISL	415058	6316675A	HERCU	481644	6325LUP	JN-MN	416865!	63363	VIC	5921*
63089	VIC	410059	63167	VIC	472560N*	632608	ALLCH	471413	633630	ALLCH	473464!
63089	VIC	470380!	63169	VIC	343186	63260S	TROS	8429S	633630	ALLCH	473464
630895C1	IH	456967N=	63170	VIC	240356	632611	ALLCH	416287N=	63364	VIC	411394!
630895C1	IH	456967V!	63171	VIC	240435	63261S	TROS	8549S	63365	VIC	410825
63090	VIC	350156	631713R91	IH	417079	63264	VIC	471538!	63366	VIC	410496!
63090	VIC	473096	63173	VIC	342517	6326594A	HERCU	417205!	63366A	OSHKO	415234!
6309007	HERCU	450593!	63174	VIC	357302	63267	VIC	240816	63367	VIC	415449!
6309007A	HERCU	450593!	63174	VIC	415991	6326964A	HERCU	471646!	6336LA	JN-MN	472636!
63091J+65052W	TRISL	370023A	63177	VIC	417621!	6326LA	JN-MN	411253!	6336LUP	JN-MN	472636!
63091J+65052W	TRISL	380023A	6318	C-R	471264	6327	SPG	493291	63372	VIC	417343!
63093J+65000W	TRISL	370124A	63181	VIC	455194	63270	VIC	471267!	63374	VIC	417350!
63093J+65078W	TRISL	370131A	63183	MICH	450457	6327026A	HERCU	471442!	63377	VIC	456105*
63093J+65078W	TRISL	380131A	63184	VIC	471267!	63272	VIC	471270!	63378	VIC	476470
6309745	HERCU	471554!	63185	VIC	312518!	63274	VIC	471354!	6338	C-R	471255!
6309745A	HERCU	471554!	63185	VIC	342518	63278	VIC	471766!	6338	VIC	471255!
63098	VIC	343098	631850	CONTI	471766!	6327LA	JN-MN	47196!*	63380	VIC	455024
63099	WILYS	473367	6318500	HERCU	415437	6328	SPG	3210	63381	VIC	417191
63099	WILYS	473367!	6318500A	HERCU	415437	63280	VIC	343115	63381	VIC	456585
6309SS	JN-MN	471354!*	63186	VIC	410308!	63281	VIC	6370N	63382	VIC	415991
6310	HYST	415001!	63187	VIC	6906S*	63282	VIC	473435	63382	VIC	455146!
63100	VIC	473234!	63189	VIC	322353	63284	VIC	471192	63383	VIC	345146
63101	TROS	8974S	63189	VIC	474278!	63286	VIC	450776!*	63384	VIC	415937!
63102	TROS	8975S	63193	VIC	43109S	63287	VIC	473197	63386	VIC	415379!
63102	VIC	340850	63195	VIC	6370N*	63288	VIC	6760S	63386	VIC	415379
63103	VIC	471766!	63196	VIC	6636S	6328SS	JN-MN	470806*	63387	VIC	415379
63104	VIC	253099	63198	VIC	417355!	63290	VIC	3395!	63387	VIC	415379!
63106	VIC	330385	63198	VIC	485497	63290	VIC	352444	63388	VIC	416339
63107	VIC	412119!*	63199	VIC	327303!	63292	VIC	6966S*	63388	VIC	455031!
63109	VIC	416282	631993R91	IH	417079	63296	VIC	6759S	6339	C-R	471255!
6310SH	JN-MN	40286	631HA516	C-R	6872S	63298	VIC	470625!	6339	SPG	450776!
6311	C-R	471264!	631HA516-L	C-R	5471	63299	VIC	470059	63391	VIC	416345!
631103C1	IH	471267	631W52-L	C-R	7376=	63299	VIC	470380!	63391	VIC	455033
63111	VIC	416288	63201D	IH	416163	6329LA	JN-MN	474253	63392	VIC	415035

! Industrial Size/Type * Minor Width Difference

= The U.S. customer service number is 877-4-TIMKEN. The Canadian customer service numbers are 800-565-4927 (English) and 800-565-0438 (French-Canadian).

Mfr. No.	Name	Zero Duplication or Recommended Industrial	Mfr. No.	Name	Zero Duplication or Recommended Industrial	Mfr. No.	Name	Zero Duplication or Recommended Industrial	Mfr. No.	Name	Zero Duplication or Recommended Industrial
63392	VIC	415035!	63567	VIC	473197	637470	BENDI	471570!	63876PM	VIC	415027
63395	VIC	415064*	6357	C-R	471255!	637471	BENDI	476838!	6388	SPG	6489
63396	VIC	415725!	63571	VIC	470605!	637473	BENDI	471750!	6388SS	JN-MN	472705!*
634	CARVR	471766!	63573	WAUKE	481568!	637474B	BENDI	473212!	638W54	C-R	417546!
634005	ALLCH	471765!	635778	ALLCH	415995!	637475	BENDI	473215!	639010A	HARWA	63X90X10
634006	ALLCH	450930=	63580	VIC	471763	637476	BENDI	470059	639095	WILYS	340413
63401S	TROS	8460N	63584	VIC	472636!	637476	BENDI	470380!	63910	EATON	415458
634037	ALLCH	417344!	63584C1	IH	471795	637477	BENDI	473228	639265	WILYS	5778
6340376	ALLCH	417344!	63588	VIC	470328	637479	BENDI	50075=	6394	C-R	471653!
6340S	SPG	472258	63588	VIC	481213!	637480	BENDI	472185!	63941	EATON	415259!
63412	VIC	40185	63592	VIC	415351!	637481	BENDI	470334!	639422	C-R	417537
63413	VIC	470565!	63594	VIC	415697!	637482	BENDI	470088	639433	WILYS	471827
63415	VIC	415085!	636-X1510	OLIVE	411253!	637483	BENDI	473462	6395	C-R	471653!
63415	VIC	456648	636-X1512	OLIVE	450400	637484	BENDI	470530!	63954	VIC	410825
63419	VIC	6336S	636-X1514	OLIVE	450326	637485	BENDI	413469!	63961	TROS	472951
63420	VIC	415995!	636-X1516	OLIVE	473467!	637486	BENDI	411253!	63961	TROS	474252
63420	VIC	415995	63601	VIC	7412S	637487	BENDI	415001!	639635	CLARK	40316S
634264C1	IH	473205!	63601S	TROS	8804S=	637488	BENDI	417316!	63968	VIC	456946N=
63427	VIC	416624!	63602S	TROS	472082	637489	BENDI	415960!	639837	CHRY	474278!
63429	VIC	472015!	63603	VIC	472705!	637490	BENDI	416921!	63986	AM WH	471141!
63431C1	IH	450048	6361	FULLE	417191	637491	BENDI	415995!	63C1-2S	TROS	8597S
63433	VIC	473224	6361	FULLE	455165!	637492	BENDI	415021	63CDP-2	TROS	484058
63435	VIC	471829	63612	VIC	472144!	637493	BENDI	415023	63GB-2S	TROS	473228
63436	VIC	473234!	636139	WILYS	471787	637494	BENDI	415027	63GC-4S	TROS	8460N
6344	C-R	240023*	63615	VIC	471529	637494	BENDI	415027!	63GO-8S	TROS	472082
63448	VIC	472324!	6362	NATL	473235	637495	BENDI	416339	63GP-8S	TROS	332062
634519	ALLCH	417269!	6362	SPG	473235	637495	BENDI	455031!	63GT-2	TROS	9015S
63456	VIC	342613!	63620	VIC	415995!	637496	BENDI	415045!	63R-2S	TROS	8429S
63457	VIC	343123	63620	VIC	415995	637497	BENDI	415284	63RA-2S	TROS	8549S
63459	VIC	472397!	63621	VIC	472324!	637498	BENDI	417273	63S-7S	TROS	473445
634631	SPICE	417484	63622	VIC	471764!	637499	BENDI	416107!	63W-1S	TROS	8430S
6346A	C-R	410708	63622	VIC	471764*	637499	BENDI	455073	63X0005	GARLK	350364
63470	VIC	473231!	63624	VIC	470682	6375	C-R	471255!	63X0101	GARLK	481073
634703	ALLCH	417344!	63625	VIC	471138!	63750	C-R	417563	63X0102	GARLK	481073
63472	VIC	473367!	63625	VIC	472164!	637500	BENDI	450039	63X0105	GARLK	481397
634723R91	IH	472144!	636288	ALLCH	415023	63751	C-R	417563	63X0106	GARLK	481397
63476	VIC	417350* =	6362SS	JN-MN	330385!	63753	WAUKE	471567!	63X0335	GARLK	473420
6348	C-R	471255!	6363	C-R	240023*	63757	AM WH	473444	63X0541	GARLK	471192
63487	VIC	311189*	636415R91	IH	352541	6376	C-R	471255!	63X0547	GARLK	473215!
6349	C-R	471255!	63642	VIC	473179	6377	C-R	471255!	63X0643	GARLK	470625
63491	VIC	481644	636423R91	IH	5588=	637790	WILYS	5585\$	63X1003	GARLK	451993=
63499	VIC	470380!	636423R92	IH	5588=	63780	C-R	417563	63X1005	GARLK	451993=
63500	VIC	472397!	63647	VIC	7840S	63785	C-R	417563	63X1006	GARLK	473451!*
63503	VIC	455079!	636529	CONTI	471688	6379	C-R	471255	63X1012	GARLK	473452
63503S	TROS	332062	636628R91	IH	471529	63793C91	IH	470088	63X1021	GARLK	473453
63504	VIC	415088	636635B	BENDI	473214!	6380	C-R	471255!	63X1023	GARLK	473453*
63506	VIC	455858	636636B	BENDI	471801!	6380	VIC	471255!	63X1042	GARLK	472439*
63507	VIC	476842	636717B	BENDI	472179	6381	C-R	450557	63X1043	GARLK	472439*
63508	VIC	7235S	636859B	BENDI	474255	6381	C-R	471255!	63X1044	GARLK	472439
63517	VIC	340827	6369SS	JN-MN	323138!	638137	CONTI	481568!	63X1045	GARLK	471868
63518	VIC	323125	6370	C-R	240023	6381LA	JN-MN	415394	63X1047	GARLK	471868
63518	VIC	450456!	63700	C-R	55692=	638223	CATER	7512S=	63X1048	GARLK	472572!
63519	VIC	471516!	63701	TROS	5337	638223	GERL	7512S=	63X1050	GARLK	472572!
6352	SEAMA	470059	63702S	TROS	415284	63825	C-R	162X200X15*	63X1051	GARLK	473179!
6352	SEAMA	470380!	637088	WHITE	415302	6383	C-R	471255	63X1052	GARLK	473179!
63527	VIC	417597	6371	NATL	414268	638336	ALLCH	473473	63X1053	GARLK	473179!
63536	VIC	473016!	63710	C-R	55692=	6384	C-R	471564*	63X1054	GARLK	414045!*
63541	VIC	472287!	63712	VIC	471442!	638416	C-R	417532	63X1057	GARLK	473238
63543	VIC	470487!	6372	C-R	471255!	638422	C-R	417537	63X1058	GARLK	473238
63544	VIC	323126	63722	C-R	55242	638430	C-R	417540	63X1059	GARLK	473238!
63544	VIC	474278!	637237	WILYS	5585\$	638510A	HARWA	63X85X10	63X1060	GARLK	450084!
63546	VIC	473234!	6373	C-R	471255!	638512	C-R	417551	63X1062	GARLK	450084!
63550	VIC	470625!	6373	SPG	470774!	63852	C-R	455290	63X1063	GARLK	473239
63550	VIC	5115	63733	C-R	417563	63854	AM HO	417546!	63X1065	GARLK	473239
63557	AM WH	415001!	63734	C-R	417563*	63854	C-R	417546!	63X1066	GARLK	473457!*
63557	VIC	417316!	63735	VIC	415035	63854	MINMA	417546!	63X1069	GARLK	473240!*
635571R91	IH	472185!	63737	VIC	456946N=	63854M1	C-R	417546!	63X1071	GARLK	473240!
6356	C-R	471255!	63738	VIC	417357	638573F1	GARLK	415001!	63X1075	GARLK	473458!*
63560S	TROS	473445	6374	C-R	471255!	638586	WILYS	450415	63X1076	GARLK	473458!
63561S	TROS	471413!	63740C1	IH	473426	6385R	JN-MN	417780*	63X1078	GARLK	472439*
63565	VIC	470380!	637462C1	IH	410708	6386	C-R	471564	63X1081	GARLK	471868*
63567	AM WH	416476!	637467B	BENDI	473236!	638607	ALLCH	415458!	63X1084	GARLK	472572!

! Industrial Size/Type * Minor Width Difference \$ F-M Number Is Part Of A Kit
 = The U.S. customer service number is 877-4-TIMKEN. The Canadian customer service numbers are 800-565-4927 (English) and 800-565-0438 (French-Canadian).

NUMERICAL INTERCHANGE

Zero Duplication or Recommended Industrial		Zero Duplication or Recommended Industrial		Zero Duplication or Recommended Industrial		Zero Duplication or Recommended Industrial					
Mfr. No.	Name	Mfr. No.	Name	Mfr. No.	Name	Mfr. No.	Name				
63X109	GARLK	471529	63X1240	GARLK	473464!	63X1408	GARLK	472020*	63X1575	GARLK	411394!
63X1090	GARLK	414045!*	63X1240	GARLK	473464	63X1410	GARLK	472020*	63X1576	GARLK	410694!*
63X110	GARLK	471529	63X1246	GARLK	412027*	63X1414	GARLK	470354*	63X1578	GARLK	410694!*
63X1105	GARLK	473240!*	63X1252	GARLK	451948	63X1415	GARLK	470354	63X1579	GARLK	450133*
63X111	GARLK	471538!*	63X1253	GARLK	451948	63X1416	GARLK	470354*	63X158	GARLK	470601
63X1114	GARLK	472319	63X1254	GARLK	451948*	63X142	GARLK	471554!*	63X1581	GARLK	450133*
63X1116	GARLK	472319	63X1255	GARLK	473466	63X1420	GARLK	473245!*	63X1585	GARLK	416444*
63X1117	GARLK	473459	63X1258	GARLK	472012	63X1422	GARLK	471504!	63X1587	GARLK	416444
63X1119	GARLK	473459	63X1260	GARLK	472012	63X1423	GARLK	412943*	63X1588	GARLK	455647=
63X112	GARLK	471538!*	63X1261	GARLK	450307*	63X1425	GARLK	412943*	63X159	GARLK	481443!
63X1120	GARLK	473241	63X1263	GARLK	450307	63X1426	GARLK	413472	63X1594	GARLK	455321*
63X1122	GARLK	473241	63X1264	GARLK	450311*	63X1428	GARLK	413472	63X1596	GARLK	455321
63X1129	GARLK	472144!	63X1266	GARLK	450311	63X143	GARLK	471567!	63X16	GARLK	350156
63X113	GARLK	471553!	63X1270	GARLK	416738!	63X1432	GARLK	416268	63X16	GARLK	473096
63X1130	GARLK	472144!	63X1270	GARLK	450096	63X1434	GARLK	416268	63X160	GARLK	481443!*
63X1131	GARLK	472144!*	63X1276	GARLK	450313	63X1435	GARLK	472234*	63X1600	GARLK	472150*
63X1132	GARLK	473460	63X1278	GARLK	450313	63X1438	GARLK	472018*	63X1602	GARLK	472150
63X1134	GARLK	473460	63X1279	GARLK	450532	63X144	GARLK	471567!	63X161	GARLK	481568!
63X1135	GARLK	472394*	63X1282	GARLK	451948*	63X1441	GARLK	473471*	63X1612	GARLK	411394!
63X1137	GARLK	472394	63X1285	GARLK	473466*	63X1444	GARLK	472020*	63X162	GARLK	481443!
63X1138	GARLK	473461!*	63X1288	GARLK	472012*	63X145	GARLK	471498*	63X1633	GARLK	455321*
63X1139	GARLK	473461!*	63X1291	GARLK	450307*	63X1450	GARLK	470354*	63X1639	GARLK	473474*
63X114	GARLK	471553!	63X1294	GARLK	450311*	63X1459	GARLK	50631*	63X1641	GARLK	473474
63X1141	GARLK	471391!*	63X13	GARLK	330385!	63X146	GARLK	471498	63X1642	GARLK	470565!
63X1142	GARLK	471391!*	63X1300	GARLK	416738!	63X147	GARLK	471643!	63X1644	GARLK	470565!
63X1143	GARLK	471391!*	63X1300	GARLK	450096	63X1471	GARLK	471341!	63X1648	GARLK	473475*
63X1147	GARLK	473462	63X1306	GARLK	450313*	63X1473	GARLK	471341!	63X165	GARLK	481644
63X1148	GARLK	473462	63X1309	GARLK	450532*	63X1474	GARLK	471272!	63X1650	GARLK	473475*
63X1149	GARLK	473462	63X1312	GARLK	450343*	63X1475	GARLK	471272!	63X1654	GARLK	413246
63X115	GARLK	471579	63X1321	GARLK	470898	63X1476	GARLK	471272!	63X1655	GARLK	413246
63X1150	GARLK	450472!*	63X1322	GARLK	470898	63X1477	GARLK	473473*	63X1656	GARLK	413246
63X1153	GARLK	473241	63X1323	GARLK	470898	63X1479	GARLK	473473	63X1657	GARLK	412119!
63X1154	GARLK	473241*	63X1324	GARLK	473467	63X1480	GARLK	471138!	63X1658	GARLK	412119!
63X116	GARLK	471579*	63X1326	GARLK	473467	63X1481	GARLK	471138!	63X1659	GARLK	412119!
63X1162	GARLK	450474*	63X1327	GARLK	472015!	63X1482	GARLK	471138!	63X166	GARLK	481644*
63X1165	GARLK	50528*	63X1328	GARLK	472015!	63X1486	GARLK	410737!	63X1660	GARLK	413247!
63X1166	GARLK	50528*	63X1329	GARLK	472015!	63X149	GARLK	471684!	63X1661	GARLK	413247!
63X1167	GARLK	50528	63X1330	GARLK	410308!	63X1492	GARLK	472636!	63X1662	GARLK	413247!
63X1171	GARLK	473461!*	63X1331	GARLK	410308!	63X1493	GARLK	472636!	63X1663	GARLK	410987!
63X1174	GARLK	471391!*	63X1332	GARLK	410308!	63X1494	GARLK	472636!	63X1666	GARLK	416271!*
63X1180	GARLK	473462	63X1333	GARLK	472016*	63X1495	GARLK	411253!	63X1668	GARLK	416271!
63X1186	GARLK	471870!	63X1334	GARLK	472016	63X1496	GARLK	411253!	63X1669	GARLK	412861
63X1187	GARLK	471870!	63X1335	GARLK	472016	63X1497	GARLK	411253!	63X167	GARLK	417337
63X1188	GARLK	471870!	63X1339	GARLK	472409!	63X1498	GARLK	412920!	63X1671	GARLK	412861
63X1189	GARLK	472492!	63X1341	GARLK	472409!	63X1499	GARLK	412920!	63X1672	GARLK	410825
63X119	GARLK	471642	63X1345	GARLK	473243	63X15	GARLK	350156	63X1675	GARLK	416071*
63X1190	GARLK	472492!	63X1346	GARLK	473243	63X15	GARLK	473096	63X1677	GARLK	416071
63X1191	GARLK	472492!	63X1347	GARLK	473243	63X150	GARLK	471684!	63X1678	GARLK	417480!
63X1198	GARLK	472924!	63X1348	GARLK	413469!*	63X1500	GARLK	412920!	63X1679	GARLK	417480!
63X1199	GARLK	472924!	63X1349	GARLK	413469!*	63X1501	GARLK	455136*	63X1680	GARLK	417480!
63X1200	GARLK	472924!	63X1350	GARLK	413469!*	63X1504	GARLK	411376!	63X1687	GARLK	473475*
63X1201	GARLK	470530!	63X1357	GARLK	416267!*	63X1505	GARLK	411376!	63X169	GARLK	474273
63X1203	GARLK	470530!	63X1359	GARLK	416267!	63X1506	GARLK	411376!	63X1693	GARLK	413246
63X1204	GARLK	472397!	63X1363	GARLK	473467	63X1507	GARLK	472299*	63X1696	GARLK	412119!
63X1205	GARLK	472397!	63X1365	GARLK	473467	63X151	GARLK	450033*	63X1699	GARLK	413247!
63X1206	GARLK	472397!	63X1369	GARLK	410308!	63X1510	GARLK	471272!	63X17	GARLK	471103!
63X1207	GARLK	473463	63X1372	GARLK	472016*	63X152	GARLK	450033	63X1705	GARLK	416271!*
63X1209	GARLK	473463	63X1378	GARLK	450621*	63X1522	GARLK	410737!	63X171	GARLK	451739=
63X121	GARLK	470506!	63X1384	GARLK	450869*	63X1528	GARLK	470645*	63X1714	GARLK	416071*
63X1210	GARLK	473242*	63X1385	GARLK	450869*	63X153	GARLK	470390*	63X172	GARLK	451739=
63X1212	GARLK	473242	63X1396	GARLK	416267!*	63X1531	GARLK	411253!	63X1723	GARLK	471887
63X1216	GARLK	473464!	63X1398	GARLK	416267!	63X1534	GARLK	412920!	63X1725	GARLK	471887
63X1216	GARLK	473464	63X1399	GARLK	473244	63X1537	GARLK	455136*	63X1735	GARLK	412040*
63X1217	GARLK	473464	63X14	GARLK	330385!	63X1540	GARLK	411376!	63X1737	GARLK	412040
63X1217	GARLK	473464	63X1400	GARLK	473244	63X1546	GARLK	415234!*	63X1738	GARLK	411500*
63X1218	GARLK	473464	63X1401	GARLK	473244	63X1549	GARLK	415259!*	63X1740	GARLK	411500*
63X1218	GARLK	473464!	63X1402	GARLK	472018	63X155	GARLK	473407*	63X1741	GARLK	413478*
63X1222	GARLK	472924!	63X1403	GARLK	472018	63X156	GARLK	473407	63X1742	GARLK	413478*
63X1225	GARLK	470530!	63X1404	GARLK	472018*	63X1561	GARLK	472150*	63X1743	GARLK	413478*
63X1228	GARLK	472397!	63X1405	GARLK	473471*	63X1563	GARLK	472150	63X1744	GARLK	450104*
63X1231	GARLK	473463*	63X1406	GARLK	473471	63X157	GARLK	470601	63X1745	GARLK	450104*
63X124	GARLK	50026*	63X1407	GARLK	473471	63X1573	GARLK	411394!	63X1746	GARLK	450104

! Industrial Size/Type * Minor Width Difference

= The U.S. customer service number is 877-4-TIMKEN. The Canadian customer service numbers are 800-565-4927 (English) and 800-565-0438 (French-Canadian).

Mfr. No.	Name	Zero Duplication or Recommended Industrial	Mfr. No.	Name	Zero Duplication or Recommended Industrial	Mfr. No.	Name	Zero Duplication or Recommended Industrial	Mfr. No.	Name	Zero Duplication or Recommended Industrial
63X1747	GARLK	411245!	63X1918	GARLK	415988*	63X2089	GARLK	417485*	63X228	GARLK	481741=
63X1749	GARLK	411245!	63X1921	GARLK	417481*	63X2090	GARLK	417485*	63X229	GARLK	470645*
63X175	GARLK	471539!	63X1924	GARLK	455280*	63X2091	GARLK	417485*	63X237	GARLK	482371=
63X1750	GARLK	417073*	63X1926	GARLK	455280*	63X2092	GARLK	475384*	63X241	GARLK	450038*
63X1751	GARLK	417073*	63X1927	GARLK	412871!	63X2093	GARLK	475384*	63X2436	GARLK	415832*
63X1752	GARLK	417073	63X193	GARLK	472452	63X2094	GARLK	475384*	63X2437	GARLK	415832*
63X176	GARLK	471539!	63X1930	GARLK	412871!	63X21	GARLK	50010*	63X2451	GARLK	55646*=
63X177	GARLK	471231!	63X1932	GARLK	412871!	63X2101	GARLK	455005*	63X2452	GARLK	55646*=
63X1771	GARLK	412040*	63X1933	GARLK	413248	63X2103	GARLK	455005	63X251	GARLK	471571
63X1774	GARLK	50560*	63X1935	GARLK	413248	63X2104	GARLK	417485*	63X2510	GARLK	417366!*
63X1775	GARLK	50560	63X1936	GARLK	450412*	63X2115	GARLK	415303!*	63X2513	GARLK	415958*
63X178	GARLK	471231!	63X1939	GARLK	415483!	63X2117	GARLK	415303!*	63X2513	GARLK	415958!
63X1780	GARLK	450104*	63X1941	GARLK	415483!	63X2118	GARLK	417344!	63X252	GARLK	471571*
63X1783	GARLK	411245!	63X1945	GARLK	415458!	63X2120	GARLK	417344!	63X255	GARLK	471647*
63X179	GARLK	474253	63X1946	GARLK	415458!	63X2121	GARLK	417158!	63X256	GARLK	471647*
63X178	GARLK	471103!	63X1947	GARLK	415458!	63X2122	GARLK	417158!	63X257	GARLK	472951
63X180	GARLK	474253	63X1948	GARLK	417343!*	63X2123	GARLK	417158!	63X257	GARLK	474252
63X1801	GARLK	472029	63X195	GARLK	473414*	63X2124	GARLK	416921!	63X258	GARLK	472951
63X1802	GARLK	472029*	63X1950	GARLK	417343!	63X2125	GARLK	416921!	63X258	GARLK	474252
63X1803	GARLK	472029*	63X1951	GARLK	415007*	63X2126	GARLK	416921!	63X259	GARLK	450039*
63X1804	GARLK	410752	63X1952	GARLK	415007*	63X2127	GARLK	417134	63X260	GARLK	450039
63X1806	GARLK	410752	63X1954	GARLK	417082*	63X2128	GARLK	417134	63X269	GARLK	451583!
63X1807	GARLK	471271!	63X1955	GARLK	417082*	63X213	GARLK	471267!	63X270	GARLK	451583!
63X1808	GARLK	471271!	63X1956	GARLK	417082	63X2132	GARLK	417344!	63X2706	GARLK	417238
63X1809	GARLK	471271!	63X1960	GARLK	413248	63X2135	GARLK	416404!*	63X2707	GARLK	417238*
63X181	GARLK	450588*	63X1966	GARLK	415483!	63X2138	GARLK	416921!	63X271	GARLK	450545*
63X181	GARLK	450588*	63X1972	GARLK	415458!	63X214	GARLK	450398	63X273	GARLK	471648*
63X1810	GARLK	410496!	63X1975	GARLK	417343!*	63X214	GARLK	471267!	63X274	GARLK	471648*
63X1812	GARLK	410496!	63X1978	GARLK	415007*	63X2146	GARLK	416956*	63X275	GARLK	471688
63X1813	GARLK	470605!*	63X1981	GARLK	417082*	63X2147	GARLK	416956*	63X276	GARLK	471688
63X1815	GARLK	470605!*	63X1987	GARLK	415302	63X2148	GARLK	416956	63X277	GARLK	450040*
63X1819	GARLK	415449!	63X199	GARLK	473414*	63X2149	GARLK	417159*	63X278	GARLK	450040
63X1820	GARLK	415449!	63X1993	GARLK	455434*	63X215	GARLK	471570!	63X279	GARLK	451082*
63X1821	GARLK	415449!	63X1994	GARLK	455434*	63X2150	GARLK	417159*	63X285	GARLK	450339*
63X1822	GARLK	415001!	63X2002	GARLK	455151*	63X2151	GARLK	417159*	63X286	GARLK	450339
63X1823	GARLK	415001!	63X2003	GARLK	455151*	63X2152	GARLK	416654!	63X287	GARLK	471224!
63X1824	GARLK	415001!	63X2004	GARLK	455151	63X2153	GARLK	416654!	63X288	GARLK	471224!
63X1825	GARLK	416273	63X2005	GARLK	455008*	63X2154	GARLK	416654!	63X289	GARLK	473380*
63X1826	GARLK	416273!	63X2006	GARLK	455008*	63X2155	GARLK	417486*	63X290	GARLK	473380
63X1827	GARLK	416273!	63X2007	GARLK	455008*	63X2157	GARLK	416956*	63X291	GARLK	471649!
63X1828	GARLK	455079!*	63X2014	GARLK	455434*	63X216	GARLK	471570!*	63X292	GARLK	471649!
63X183	GARLK	471645	63X2023	GARLK	455151*	63X2160	GARLK	417159*	63X293	GARLK	471689!
63X1830	GARLK	455079!	63X2025	GARLK	455151	63X2163	GARLK	416654!	63X294	GARLK	471689!
63X1831	GARLK	415082*	63X2026	GARLK	455008*	63X2166	GARLK	417486*	63X295	GARLK	450593*
63X1834	GARLK	455655!*	63X2028	GARLK	455008*	63X2168	GARLK	417349*	63X295	GARLK	450593!*
63X1836	GARLK	455655!*	63X203	GARLK	473415*	63X2169	GARLK	417349*	63X296	GARLK	450593!
63X1840	GARLK	471271!	63X2032	GARLK	480491*	63X217	GARLK	471633!*	63X297	GARLK	471733*
63X1841	GARLK	471271!	63X2034	GARLK	480491	63X2170	GARLK	417349*	63X298	GARLK	471733
63X185	GARLK	471686	63X2035	GARLK	416664!	63X2171	GARLK	417350!	63X299	GARLK	471744!*
63X1852	GARLK	415449!	63X2036	GARLK	416664!	63X2172	GARLK	417350!	63X2994	GARLK	417258
63X1855	GARLK	415001!	63X2037	GARLK	416664!	63X2173	GARLK	417350!	63X2995	GARLK	417258*
63X1857	GARLK	415001!	63X2038	GARLK	417484!	63X2174	GARLK	415995!	63X300	GARLK	471744!
63X1858	GARLK	416273!	63X2039	GARLK	417484!	63X2175	GARLK	415995!	63X301	GARLK	471760*
63X1861	GARLK	455079!*	63X204	GARLK	473415	63X2176	GARLK	415995!	63X302	GARLK	471760
63X187	GARLK	473412*	63X2040	GARLK	417484!	63X218	GARLK	471633!	63X303	GARLK	471619!
63X1882	GARLK	413479*	63X2041	GARLK	415984!*	63X2189	GARLK	55548	63X304	GARLK	471619!
63X1885	GARLK	415302*	63X2043	GARLK	415984!*	63X219	GARLK	471646!	63X305	GARLK	471076
63X1886	GARLK	415302*	63X2044	GARLK	417316!	63X2190	GARLK	55548*	63X306	GARLK	471076
63X1887	GARLK	415302	63X2045	GARLK	417316!	63X2191	GARLK	55548*	63X307	GARLK	481650
63X1888	GARLK	455311*	63X2046	GARLK	417316!	63X2196	GARLK	455820*	63X308	GARLK	481650*
63X189	GARLK	471729*	63X2047	GARLK	415960	63X2197	GARLK	455820*	63X323	GARLK	471651
63X1890	GARLK	455311	63X2048	GARLK	415960	63X220	GARLK	471646!	63X324	GARLK	471651*
63X1891	GARLK	415988*	63X2049	GARLK	415960	63X221	GARLK	470590*	63X325	GARLK	471705!
63X1892	GARLK	415988*	63X2050	GARLK	416706!	63X222	GARLK	470590	63X326	GARLK	471705!
63X1893	GARLK	415988*	63X2052	GARLK	416706!	63X2223	GARLK	455020*	63X327	GARLK	473419
63X1894	GARLK	417481*	63X2059	GARLK	417484!	63X2224	GARLK	455020*	63X328	GARLK	473419
63X1896	GARLK	417481*	63X2062	GARLK	415984!*	63X2225	GARLK	417621!	63X329	GARLK	471735*
63X1897	GARLK	455280*	63X2065	GARLK	417316!	63X223	GARLK	471137*	63X330	GARLK	471735
63X1899	GARLK	455280	63X2067	GARLK	417316!	63X224	GARLK	471137	63X331	GARLK	450342
63X1909	GARLK	411330!*	63X2068	GARLK	415960	63X225	GARLK	471730*	63X333	GARLK	471762!
63X1912	GARLK	415302*	63X2086	GARLK	455005*	63X226	GARLK	471730	63X334	GARLK	471762!
63X1915	GARLK	455311*	63X2088	GARLK	455005	63X227	GARLK	481741=	63X335	GARLK	473420*

! Industrial Size/Type * Minor Width Difference

= The U.S. customer service number is 877-4-TIMKEN. The Canadian customer service numbers are 800-565-4927 (English) and 800-565-0438 (French-Canadian).

NUMERICAL INTERCHANGE

Zero Duplication or Recommended Industrial		Zero Duplication or Recommended Industrial		Zero Duplication or Recommended Industrial		Zero Duplication or Recommended Industrial					
Mfr. No.	Name	Mfr. No.	Name	Mfr. No.	Name	Mfr. No.	Name				
63X336	GARLK	473420	63X437	GARLK	471795	63X4729	GARLK	457874	63X490	GARLK	473211!*
63X341	GARLK	450044*	63X438	GARLK	471795	63X4732	GARLK	417196!*	63X4900	GARLK	471391!*
63X347	GARLK	450159*	63X439	GARLK	450165	63X4734	GARLK	415082*	63X4902	GARLK	417269!
63X35	GARLK	472810!	63X439	GARLK	471801!	63X4735	GARLK	411376!	63X4904	GARLK	416556!
63X351	GARLK	471652	63X44	GARLK	320457	63X4735F1	GARLK	411376!	63X4904	GARLK	472157
63X352	GARLK	471652	63X440	GARLK	450165	63X4736	GARLK	55028*	63X4907	GARLK	50026*
63X353	GARLK	471692!	63X440	GARLK	471801!	63X4738	GARLK	417621!	63X4908F1	GARLK	471529
63X354	GARLK	471692!	63X441	GARLK	450165	63X4740	GARLK	414045!*	63X491	GARLK	473211!
63X3547	GARLK	415482	63X441	GARLK	471801!	63X4745	GARLK	415991	63X4912	GARLK	415150!*
63X355	GARLK	476838!	63X442	GARLK	471808!*	63X4745	GARLK	455146!	63X4914	GARLK	416271!*
63X3552	GARLK	415551*	63X443	GARLK	471808!*	63X4752	GARLK	417512*	63X4916	GARLK	470898
63X356	GARLK	476838!	63X444	GARLK	471808!	63X4754	GARLK	471554!	63X492	GARLK	473211!*
63X357	GARLK	470712!	63X445	GARLK	471818*	63X4766	GARLK	473232	63X4924	GARLK	417597*
63X358	GARLK	470712!	63X446	GARLK	471818*	63X4766R1	GARLK	473232!	63X4925	GARLK	417606*
63X359	GARLK	471763*	63X447	GARLK	471818*	63X4768	GARLK	415482*	63X4928	GARLK	416154!*
63X36	GARLK	472810!	63X448	GARLK	470050*	63X4771	GARLK	416892!*	63X4929	GARLK	455462*
63X360	GARLK	471763	63X4483	GARLK	415442!	63X4772	GARLK	416345!	63X493	GARLK	473212!*
63X361	GARLK	471785!	63X4483	GARLK	55442	63X4772	GARLK	455033	63X4934	GARLK	415066*
63X362	GARLK	471785!	63X4484	GARLK	455396*	63X4774	GARLK	550785*	63X4938	GARLK	412920!
63X363	GARLK	471736	63X45	GARLK	470004!	63X4775	GARLK	417526*	63X4938F1	GARLK	412920!
63X365	GARLK	473428*	63X451	GARLK	473424!*	63X4780	GARLK	416892!*	63X494	GARLK	473212!*
63X367	GARLK	471764!	63X454	GARLK	450124=	63X4781	GARLK	471549!	63X4945	GARLK	416738!
63X369	GARLK	473427*	63X4560	GARLK	415294!	63X4783	GARLK	417541*	63X4945	GARLK	450096
63X37	GARLK	50199S!	63X4579	GARLK	470088	63X4784	GARLK	415072*	63X495	GARLK	473212!
63X37	GARLK	6863S!	63X4580	GARLK	415023	63X4785	GARLK	415124*	63X4958	GARLK	411394!
63X370	GARLK	473427	63X4584	GARLK	473197	63X4787	GARLK	476470	63X4959	GARLK	416268
63X374	GARLK	450362*	63X4586	GARLK	471570!	63X4788	GARLK	415066*	63X496	GARLK	473213!
63X377	GARLK	450600=	63X4589	GARLK	450400*	63X4789	GARLK	415327*	63X4965	GARLK	451031=
63X38	GARLK	50199S!	63X4590	GARLK	472164!	63X4790	GARLK	416288!*	63X4966	GARLK	417247!*
63X38	GARLK	6863S!	63X4592	GARLK	470898	63X4792	GARLK	471354!*	63X4967	GARLK	417549!*
63X383	GARLK	472475*	63X4593	GARLK	411330!*	63X4800	GARLK	417020*	63X4968	GARLK	416144*
63X384	GARLK	472475	63X46	GARLK	470004!	63X4801	GARLK	415227!*	63X497	GARLK	473213!
63X385	GARLK	473426	63X4600	GARLK	474256	63X4802	GARLK	450545	63X4976	GARLK	472843*
63X386	GARLK	473426	63X4603	GARLK	471231!	63X4803	GARLK	55532=	63X498	GARLK	473213!
63X3863	GARLK	350435	63X4605	GARLK	471554!	63X4804	GARLK	417487	63X4982	GARLK	417547*
63X3869	GARLK	472705!	63X4610	GARLK	415871*	63X4805	GARLK	55228* =	63X4987	GARLK	415458!
63X387	GARLK	471765!	63X4640	GARLK	415991	63X4806	GARLK	455129*	63X4988	GARLK	470774!
63X3871	GARLK	450342	63X4640	GARLK	455146!	63X4808	GARLK	417247!*	63X499	GARLK	450503 =
63X3872	GARLK	471747!	63X4645	GARLK	450143	63X4809	GARLK	415294!	63X4991	GARLK	455480!*
63X3873	GARLK	471747!	63X4646	GARLK	412119!	63X482	GARLK	473210	63X4992	GARLK	473237!*
63X3874	GARLK	471747!	63X4651	GARLK	415035!	63X4825	GARLK	417254*	63X4998	GARLK	417486*
63X3876	GARLK	473425	63X4651	GARLK	415035	63X4828	GARLK	416865!*	63X5	GARLK	350364
63X3879	GARLK	472536	63X4652	GARLK	416239!*	63X4832	GARLK	415303!*	63X50	GARLK	471442!
63X388	GARLK	471765!	63X4654	GARLK	417172*	63X4836	GARLK	417247!*	63X5002	GARLK	415683*
63X3880	GARLK	471344*	63X4659	GARLK	473244	63X4837	GARLK	415196!*	63X5005	GARLK	472179
63X3883	GARLK	473442!*	63X4662	GARLK	470506!	63X4838	GARLK	413469!*	63X5007	GARLK	472287!*
63X3885	GARLK	470088*	63X4665	GARLK	472636!	63X4838F1	GARLK	413469!	63X5008	GARLK	415437!
63X3887	GARLK	471841	63X4667	GARLK	55548*	63X484	GARLK	450129	63X5008	GARLK	415437
63X3889	GARLK	450965*	63X4668	GARLK	417541*	63X484	GARLK	472826!	63X5025	GARLK	416288!*
63X389	GARLK	471354!*	63X4669	GARLK	416892!*	63X4842	GARLK	471472!*	63X5028	GARLK	455476*
63X39	GARLK	474277	63X4670	GARLK	472924!	63X4844	GARLK	415001!	63X5030	GARLK	415023
63X390	GARLK	471354!	63X4671	GARLK	471504!	63X4847	GARLK	471539!	63X5031	GARLK	415072*
63X3902	GARLK	455080*	63X4672	GARLK	472164!	63X485	GARLK	450129	63X5041	GARLK	471538!*
63X3904	GARLK	472234*	63X4677	GARLK	472560N!	63X485	GARLK	472826!	63X5041F1	GARLK	471538!
63X394	GARLK	473205	63X4681	GARLK	415124*	63X4854	GARLK	415035	63X5043	GARLK	415371*
63X3949	GARLK	455966	63X4682	GARLK	417351!	63X4855	GARLK	481537*	63X5049	GARLK	415034!
63X397	GARLK	474255	63X4686	GARLK	417344!	63X4861	GARLK	473226*	63X505	GARLK	481834
63X398	GARLK	474255	63X4687	GARLK	472184=	63X4862	GARLK	471870!	63X5050	GARLK	350364*
63X399	GARLK	474255	63X4688	GARLK	415645!	63X4865	GARLK	417254*	63X5051	GARLK	417539!*
63X40	GARLK	474277	63X4688	GARLK	455104	63X487	GARLK	473421*	63X5053	GARLK	473242*
63X403	GARLK	450048*	63X4691	GARLK	473475*	63X4871	GARLK	470954!*	63X5059	GARLK	417351!
63X405	GARLK	450173*	63X4693	GARLK	472144!*	63X4872	GARLK	417597*	63X5060	GARLK	455336*
63X424	GARLK	471750!	63X4695	GARLK	416229*	63X4873	GARLK	416888!	63X5061	GARLK	415483!
63X425	GARLK	471750!	63X4704	GARLK	471785!	63X4874	GARLK	55392* =	63X5063	GARLK	55028*
63X426	GARLK	471750!	63X4710	GARLK	455026*	63X4876	GARLK	455406!*	63X5066	GARLK	415045!*
63X427	GARLK	471766!	63X4712	GARLK	456105*	63X4878	GARLK	417602!*	63X507	GARLK	481834
63X428	GARLK	471766!	63X4717	GARLK	455019!*	63X4882	GARLK	417262!	63X5078	GARLK	472397!
63X43	GARLK	320457*	63X4718	GARLK	473212!*	63X4883	GARLK	417269!	63X5079	GARLK	416339
63X430	GARLK	471787!	63X4720	GARLK	416107!	63X4891	GARLK	471862*	63X5079	GARLK	455031!
63X431	GARLK	471787!	63X4720	GARLK	455073	63X4897	GARLK	415025*	63X5082	GARLK	450124=
63X433	GARLK	450177*	63X4723	GARLK	417134	63X4899	GARLK	455536*	63X51	GARLK	471526!
63X436	GARLK	471795	63X4727	GARLK	416865!*	63X49	GARLK	471442!	63X511	GARLK	473435*

! Industrial Size/Type * Minor Width Difference

= The U.S. customer service number is 877-4-TIMKEN. The Canadian customer service numbers are 800-565-4927 (English) and 800-565-0438 (French-Canadian).

Mfr. No.	Name	Zero Duplication or Recommended Industrial	Mfr. No.	Name	Zero Duplication or Recommended Industrial	Mfr. No.	Name	Zero Duplication or Recommended Industrial	Mfr. No.	Name	Zero Duplication or Recommended Industrial
63X514	GARLK	473436*	63X5938	GARLK	415371*	63X6374	GARLK	416364!*	63X6511	GARLK	415088
63X517	GARLK	50168*	63X594	GARLK	473224!*	63X6375	GARLK	416239!*	63X6513	GARLK	416167!
63X520	GARLK	450054*	63X5945	GARLK	417278*	63X6378	GARLK	415867*	63X6515	GARLK	455434*
63X5208F1	GARLK	417211!	63X5947	GARLK	411253!	63X6385	GARLK	417603!	63X6516	GARLK	473231
63X5256F1	GARLK	472179	63X5948	GARLK	415984!*	63X6387	GARLK	55301S*	63X6517	GARLK	471808!*
63X5268F1	GARLK	473440!	63X595	GARLK	473016!*	63X6389	GARLK	55222* =	63X6521	GARLK	455462*
63X5283F1	GARLK	472492!	63X5953	GARLK	417357	63X6390	GARLK	55239* =	63X6522	GARLK	471984*
63X5295	GARLK	471744!	63X5953	GARLK	455192!	63X6391	GARLK	417605*	63X6522R1	GARLK	471984
63X53	GARLK	471472!	63X5957	GARLK	471413!*	63X6395	GARLK	415482*	63X6523	GARLK	471267!*
63X535	GARLK	470774!	63X5959	GARLK	415090*	63X6411	GARLK	471413*	63X6523F1	GARLK	471267!*
63X536	GARLK	470774!	63X596	GARLK	473016!*	63X6413	GARLK	417247!*	63X6524F1	GARLK	471649!
63X537	GARLK	470774!	63X5960	GARLK	417606*	63X6414	GARLK	473460*	63X6528	GARLK	418028
63X538	GARLK	472287!*	63X5966	GARLK	472179	63X6415	GARLK	471554!	63X6528	GARLK	455137!
63X5387F1	GARLK	415449!	63X5968	GARLK	473474	63X6418	GARLK	415295*	63X6529	GARLK	473224!*
63X5387R1	GARLK	415449!	63X5969	GARLK	455509	63X6422	GARLK	417598*	63X6530	GARLK	415072*
63X539	GARLK	472287!*	63X597	GARLK	473016!	63X643	GARLK	470625!	63X6534	GARLK	415991
63X5393	GARLK	473367!	63X5978	GARLK	473380*	63X6430	GARLK	471785!	63X6534	GARLK	455146!
63X5393	GARLK	473367	63X5980	GARLK	412119!	63X6431	GARLK	455022*	63X6541	GARLK	411245!
63X5394F1	GARLK	471785!	63X5981	GARLK	55078S*	63X6433	GARLK	416364!*	63X6545	GARLK	415711*
63X5398	GARLK	412871!	63X5983	GARLK	415036*	63X6434	GARLK	417357	63X6546	GARLK	472439*
63X54	GARLK	471472!	63X599	GARLK	473225!*	63X6434	GARLK	455192!	63X6547	GARLK	473237!*
63X541	GARLK	471192	63X6	GARLK	350364*	63X6437	GARLK	416239!*	63X6548	GARLK	473243*
63X542	GARLK	471192	63X60	GARLK	471530	63X6438	GARLK	472397!	63X6549	GARLK	473405*
63X543	GARLK	471192	63X600	GARLK	473225!	63X6438R1	GARLK	472397!	63X655	GARLK	473228
63X544	GARLK	473214	63X601	GARLK	474264	63X6439	GARLK	417350!	63X6550	GARLK	417605*
63X545	GARLK	473214	63X602	GARLK	474264	63X644	GARLK	470625!	63X6551	GARLK	473228
63X546	GARLK	473214	63X6028F1	GARLK	472185!	63X6440	GARLK	471272!	63X6551R1	GARLK	473228!
63X547	GARLK	473215!*	63X603	GARLK	474264	63X6444	GARLK	416654!	63X6554	GARLK	473236!*
63X548	GARLK	473215!*	63X6062	GARLK	472810!	63X6446	GARLK	412473!	63X6556	GARLK	417357
63X549	GARLK	473215!	63X607	GARLK	473226*	63X645	GARLK	470625!	63X6556	GARLK	455192!
63X5496	GARLK	473439!	63X608	GARLK	473226*	63X6450	GARLK	471619!	63X6556	GARLK	473228
63X55	GARLK	471549!	63X609	GARLK	473226	63X6451	GARLK	417488!*	63X6560	GARLK	412040*
63X550	GARLK	470950!	63X6099	GARLK	481397*	63X6456	GARLK	415449!	63X6563	GARLK	415045!*
63X550	GARLK	6241S	63X61	GARLK	481534	63X6457	GARLK	450129	63X6564	GARLK	415551*
63X5501	GARLK	450523	63X610	GARLK	473437*	63X6457	GARLK	472826!	63X6565	GARLK	417357
63X551	GARLK	470950!	63X612	GARLK	473437	63X6459F1	GARLK	470565!	63X6565	GARLK	455192!
63X551	GARLK	6241S	63X6127	GARLK	471231!	63X646	GARLK	470059	63X6568	GARLK	415035
63X552	GARLK	470950!	63X613	GARLK	471862	63X646	GARLK	470380!	63X6568	GARLK	415035!
63X552	GARLK	6241S	63X6141F1	GARLK	473244!	63X6461	GARLK	456105*	63X657	GARLK	473228
63X556	GARLK	471835!	63X615	GARLK	471862	63X6462	GARLK	473225!*	63X6573	GARLK	415090*
63X5560	GARLK	411253!	63X619	GARLK	473438*	63X6465	GARLK	415449!	63X6576	GARLK	470774!
63X557	GARLK	471835!	63X6192	GARLK	470806*	63X6465R1	GARLK	415449!	63X6578	GARLK	415449!
63X5581	GARLK	415458!	63X621	GARLK	473438	63X6466	GARLK	471763*	63X658	GARLK	451857*
63X559	GARLK	472843*	63X622	GARLK	473439!*	63X6467	GARLK	417316!	63X6580	GARLK	450593!
63X56	GARLK	471549!	63X6224	GARLK	480630!	63X6468	GARLK	416071*	63X6581	GARLK	417603!*
63X5656	GARLK	473426	63X6230	GARLK	473231	63X6469	GARLK	472394*	63X6584	GARLK	476470
63X5657F1	GARLK	471466!	63X6231	GARLK	473231	63X6469R1	GARLK	472394	63X6585	GARLK	455655!*
63X566	GARLK	50126	63X624	GARLK	473439!*	63X647	GARLK	470059	63X6586	GARLK	415090*
63X5688	GARLK	470898 =	63X6245	GARLK	450400	63X647	GARLK	470380!	63X6588	GARLK	416654!
63X5704	GARLK	471737	63X6252	GARLK	472164!	63X6470	GARLK	471689!	63X6588R1	GARLK	416654!
63X5713	GARLK	473227	63X6266	GARLK	417474*	63X6470F1	GARLK	471689!*	63X659	GARLK	451857*
63X574	GARLK	50254* =	63X6271	GARLK	470625!*	63X6471	GARLK	417316!	63X6590	GARLK	416332!
63X5886	GARLK	455008*	63X6272	GARLK	472492!	63X6474	GARLK	470682*	63X6592	GARLK	473450
63X5887	GARLK	473446*	63X6289	GARLK	471498*	63X6475	GARLK	471835!	63X6593	GARLK	472015!
63X5892	GARLK	416888!	63X6300	GARLK	476514	63X6478	GARLK	471272!	63X6599	GARLK	416921!
63X5893	GARLK	472810!	63X6328	GARLK	417621!	63X6479	GARLK	471192	63X660	GARLK	451857
63X5897	GARLK	455080*	63X6333	GARLK	455330!*	63X6479R1	GARLK	471192	63X6600	GARLK	416345!
63X5900	GARLK	473466*	63X6335	GARLK	455583N!*	63X648	GARLK	470059	63X6600	GARLK	455033
63X5906	GARLK	417020*	63X6340	GARLK	417600*	63X648	GARLK	470380!	63X6602	GARLK	457874*
63X5907	GARLK	416404!*	63X6353	GARLK	473405*	63X6484	GARLK	416666*	63X6603	GARLK	415725!*
63X5912	GARLK	417548*	63X6356	GARLK	476470*	63X6487	GARLK	471887*	63X6604	GARLK	472015!
63X5913	GARLK	472018*	63X6358	GARLK	415991	63X6489	GARLK	476470	63X6605	GARLK	473243*
63X5914	GARLK	473010	63X6358	GARLK	455146!	63X649	GARLK	471820*	63X6608	GARLK	471870!
63X592	GARLK	473224!*	63X6359	GARLK	416332!	63X6497	GARLK	417487	63X661	GARLK	470487!
63X5920	GARLK	417567*	63X6360	GARLK	415035	63X6499	GARLK	417487	63X6610	GARLK	473228
63X5922	GARLK	417349*	63X6360	GARLK	415035!	63X650	GARLK	471820*	63X6616	GARLK	455476*
63X5925	GARLK	417486*	63X6361	GARLK	415196!*	63X6500	GARLK	471267!*	63X6630	GARLK	55367* =
63X5929	GARLK	415551*	63X6363	GARLK	416888!	63X6502	GARLK	416288!*	63X6632	GARLK	455151
63X593	GARLK	473224!	63X6365	GARLK	415725!*	63X6506	GARLK	471271!	63X6634	GARLK	415116*
63X5930	GARLK	417211!*	63X6366	GARLK	417549!*	63X6506F1	GARLK	471271!	63X6635	GARLK	417542*
63X5933	GARLK	55301S*	63X6369	GARLK	417515*	63X6510	GARLK	417600*	63X6637	GARLK	471466!
63X5937	GARLK	482310	63X6370	GARLK	416229*	63X6511	GARLK	415088!	63X6638	GARLK	473240!*

! Industrial Size/Type * Minor Width Difference

= The U.S. customer service number is 877-4-TIMKEN. The Canadian customer service numbers are 800-565-4927 (English) and 800-565-0438 (French-Canadian).

NUMERICAL INTERCHANGE

Zero Duplication or Recommended Industrial		Zero Duplication or Recommended Industrial		Zero Duplication or Recommended Industrial		Zero Duplication or Recommended Industrial					
Mfr. No.	Name	Mfr. No.	Name	Mfr. No.	Name	Mfr. No.	Name				
63X6639	GARLK	473197	63X6767	GARLK	415035	63X6949	GARLK	415138!*	63X7155	GARLK	415072*
63X6640	GARLK	473440!*	63X6768	GARLK	417020	63X6950	GARLK	450869*	63X7159	GARLK	455005*
63X6641	GARLK	415725!*	63X6770	GARLK	417604	63X6952	GARLK	417362!*	63X7160	GARLK	472016*
63X6644	GARLK	457874	63X6773	GARLK	415551*	63X6955	GARLK	471141!	63X7162	GARLK	415351!*
63X6645	GARLK	415991	63X6774	GARLK	473214	63X6957	GARLK	470354*	63X7164	GARLK	473455!
63X6645	GARLK	455146!	63X6774R1	GARLK	473214!	63X6959	GARLK	455476*	63X7165	GARLK	416891!*
63X665	GARLK	473440!*	63X6794	GARLK	473367!	63X6961	GARLK	474264	63X717	GARLK	470682
63X6651	GARLK	417343!*	63X6794	GARLK	473367!	63X6966	GARLK	455655!*	63X7174	GARLK	472018*
63X6652	GARLK	417496*	63X6795	GARLK	471341!	63X6968	GARLK	415021*	63X7176	GARLK	471192
63X6654	GARLK	472138	63X6796	GARLK	417362!*	63X6971	GARLK	471558*	63X7177	GARLK	416706!
63X6658	GARLK	471276*	63X6797	GARLK	455330!*	63X6975	GARLK	9568*	63X7178	GARLK	55199* =
63X666	GARLK	473440!*	63X6798	GARLK	415559*	63X6978	GARLK	415196!*	63X718	GARLK	471316
63X6664	GARLK	415379	63X6799	GARLK	415035	63X6981	GARLK	455194*	63X7186	GARLK	471760*
63X6664	GARLK	415379!	63X68	GARLK	471281!	63X6982	GARLK	416345!	63X7187	GARLK	415483!
63X6665	GARLK	417541*	63X6800	GARLK	417082*	63X6982	GARLK	455033	63X7192	GARLK	415379
63X6667	GARLK	470059	63X6802	GARLK	455480!*	63X6984	GARLK	471564*	63X7192	GARLK	415379!
63X6667	GARLK	470380!	63X6806	GARLK	416339	63X6990	GARLK	415035	63X7194	GARLK	412473!
63X6667R1	GARLK	470380!	63X6806	GARLK	455031!	63X6991	GARLK	416125!*	63X7195	GARLK	480630!
63X6668	GARLK	413478!	63X6832	GARLK	472179	63X6992	GARLK	476838!	63X7196	GARLK	415960
63X6670	GARLK	415294!	63X6832R1	GARLK	472179	63X6993	GARLK	471765!	63X7197	GARLK	415995!
63X6674	GARLK	471795	63X6833	GARLK	417606*	63X6993F1	GARLK	471765!	63X7197T2	GARLK	415995!
63X6675	GARLK	450165	63X6835	GARLK	417509*	63X6995	GARLK	471138!*	63X7197T2	GARLK	415995!
63X6675R1	GARLK	471801!	63X6838	GARLK	9568*	63X70	GARLK	471535!	63X7198	GARLK	482089 =
63X6678	GARLK	417082*	63X6839	GARLK	476470*	63X700	GARLK	472213	63X7199	GARLK	417487
63X6679	GARLK	417191	63X6840	GARLK	417506*	63X7007	GARLK	472810!	63X720	GARLK	471551!
63X6679	GARLK	456585	63X6842	GARLK	417020*	63X701	GARLK	472213	63X7205	GARLK	416153!
63X668	GARLK	474281!	63X6844	GARLK	455397*	63X702	GARLK	472213	63X7206	GARLK	415711*
63X6680	GARLK	416921!	63X6847	GARLK	417526*	63X703	GARLK	472299*	63X721	GARLK	473441*
63X6680F1	GARLK	416921!	63X6853	GARLK	472394*	63X7039	GARLK	471539!	63X7210	GARLK	455151*
63X6682	GARLK	472636!	63X6856	GARLK	471255!	63X704	GARLK	472299*	63X7215R1	GARLK	471689!
63X6687	GARLK	415077*	63X6857	GARLK	471692!	63X706	GARLK	471821!	63X722	GARLK	455191*
63X669	GARLK	474281!	63X6858	GARLK	55141*	63X7060	GARLK	474256	63X7221	GARLK	416313*
63X6692	GARLK	417355!*	63X6860	GARLK	473010	63X7069	GARLK	470774!	63X7223	GARLK	472319*
63X67	GARLK	471281!	63X6860R1	GARLK	473010!	63X707	GARLK	471821!	63X7224	GARLK	415001!
63X670	GARLK	470625!	63X6860T2	GARLK	473010!	63X7072	GARLK	474264	63X7226	GARLK	474264
63X6700	GARLK	415302*	63X6864	GARLK	417073*	63X708	GARLK	471821!	63X7229	GARLK	455189*
63X6700F1	GARLK	415302*	63X6865	GARLK	417481*	63X7081	GARLK	473237!*	63X723	GARLK	473441
63X6701	GARLK	473214	63X6866	GARLK	412871!	63X7090	GARLK	471271!	63X7230	GARLK	415437
63X6705	GARLK	471821!	63X6868	GARLK	417351!	63X7091	GARLK	415082*	63X7230	GARLK	415437!
63X6706	GARLK	473464!	63X6870	GARLK	455134!*	63X7099	GARLK	472924!	63X7231	GARLK	417354!*
63X6706	GARLK	473464	63X6871	GARLK	417515*	63X7099F1	GARLK	472924!*	63X7233	GARLK	415551*
63X6707	GARLK	417554!*	63X6872	GARLK	417362!*	63X71	GARLK	471551!	63X7238	GARLK	450104*
63X6708	GARLK	476470	63X6888	GARLK	417584*	63X7101	GARLK	417604	63X724	GARLK	450273
63X6711	GARLK	415725!*	63X6892	GARLK	416239!*	63X7104	GARLK	415458!	63X7241	GARLK	455406!*
63X6713	GARLK	417601*	63X6893	GARLK	416865!*	63X7110	GARLK	416888!	63X7245	GARLK	415371*
63X6714	GARLK	415988*	63X6895	GARLK	455406!*	63X7114	GARLK	415551*	63X7247	GARLK	417562*
63X6716	GARLK	416664!	63X6896	GARLK	481073*	63X7115	GARLK	415991	63X7248	GARLK	473459
63X6722	GARLK	417601*	63X6898	GARLK	470565!*	63X7115	GARLK	455146!	63X7249	GARLK	415960
63X6723	GARLK	417488!*	63X6898R1	GARLK	470565!	63X712	GARLK	473229	63X7253	GARLK	415027!
63X6730	GARLK	417344!	63X6899	GARLK	473229	63X7120	GARLK	417366!*	63X7253	GARLK	415027
63X6730R1	GARLK	417344!	63X69	GARLK	471535!*	63X7121	GARLK	473437*	63X7254	GARLK	473234
63X6732	GARLK	471760*	63X6900	GARLK	417316!	63X7125	GARLK	473231	63X7254F1	GARLK	473234!
63X6733	GARLK	330385!	63X6901	GARLK	416332!	63X7126	GARLK	470596*	63X7255	GARLK	417351!
63X6734	GARLK	416154!*	63X6904	GARLK	472397!	63X7128	GARLK	416666*	63X7258	GARLK	416892!*
63X6739	GARLK	417621!	63X6904F1	GARLK	472397!	63X713	GARLK	473229	63X7259	GARLK	450133*
63X6741	GARLK	417254!	63X6907	GARLK	415027*	63X7130	GARLK	471316	63X7262	GARLK	474274
63X6741F1	GARLK	417254	63X6914	GARLK	416476!	63X7134	GARLK	416154!*	63X7264	GARLK	473446*
63X6744F1	GARLK	471981	63X6917	GARLK	417525*	63X7137	GARLK	470059	63X7265	GARLK	417362!*
63X6745	GARLK	471766!	63X6920	GARLK	415294!	63X7137	GARLK	470380!	63X7269	GARLK	415437
63X6745R1	GARLK	471766!	63X6921	GARLK	455462*	63X714	GARLK	473229	63X7269	GARLK	415437!
63X6746	GARLK	415683*	63X6923	GARLK	415711*	63X7140	GARLK	472029*	63X7270	GARLK	417181!*
63X6749	GARLK	471255!	63X6924	GARLK	416666*	63X7141	GARLK	416556!	63X7272	GARLK	472492!
63X6750	GARLK	415645!	63X6927	GARLK	471554!	63X7141	GARLK	472157	63X7276	GARLK	416077*
63X6750	GARLK	455104	63X6927F1	GARLK	471554!	63X7145	GARLK	472012*	63X7277	GARLK	417474
63X6753	GARLK	474265	63X6931	GARLK	55441* =	63X7145F1	GARLK	472012	63X7280	GARLK	471821!
63X6755F1	GARLK	471224!	63X6934	GARLK	473235!*	63X7146	GARLK	350435*	63X7282	GARLK	416339
63X6757	GARLK	411376!	63X6937	GARLK	470625!	63X715	GARLK	470682*	63X7282	GARLK	455031!
63X6760	GARLK	417603!*	63X6937R1	GARLK	470625!	63X7152	GARLK	473367!	63X7284	GARLK	417539!*
63X6762	GARLK	417134*	63X6938	GARLK	417269!	63X7152	GARLK	473367	63X7285	GARLK	411245!
63X6764	GARLK	455015*	63X6939	GARLK	417541*	63X7152F1	GARLK	473367	63X7289	GARLK	417191
63X6765	GARLK	417278*	63X6946	GARLK	417539!*	63X7153	GARLK	417350!	63X7289	GARLK	456585
			63X6947	GARLK	416364!*	63X7154	GARLK	415036*	63X7291	GARLK	416891!*

! Industrial Size/Type * Minor Width Difference

= The U.S. customer service number is 877-4-TIMKEN. The Canadian customer service numbers are 800-565-4927 (English) and 800-565-0438 (French-Canadian).

Mfr. No.	Name	Zero Duplication or Recommended Industrial	Mfr. No.	Name	Zero Duplication or Recommended Industrial	Mfr. No.	Name	Zero Duplication or Recommended Industrial	Mfr. No.	Name	Zero Duplication or Recommended Industrial
63X7292	GARLK	417316!	63X7542F1	GARLK	417349!	63X7722	GARLK	472157	63X793	GARLK	473367
63X7299	GARLK	471529*	63X7544	GARLK	415437	63X7722	GARLK	472157!	63X793	GARLK	473367!
63X7307	GARLK	472164!	63X7544	GARLK	415437!	63X7723	GARLK	472636!	63X7934	GARLK	55469*
63X7313	GARLK	418028	63X7549	GARLK	413246	63X774	GARLK	473232	63X7937	GARLK	2081
63X7313	GARLK	455137!	63X7551	GARLK	415088!	63X7745	GARLK	417556*	63X7941	GARLK	455509*
63X7314	GARLK	55199*=	63X7551	GARLK	415088	63X7746	GARLK	450908=	63X799	GARLK	450260*
63X7317	GARLK	417562*	63X7554	GARLK	415683*	63X7747	GARLK	417484!	63X7993	GARLK	417273*
63X7318	GARLK	455406!*	63X7555	GARLK	471984*	63X7749	GARLK	417534*	63X80	GARLK	473405
63X7320	GARLK	471424!*	63X7555F1	GARLK	471984	63X775	GARLK	481864	63X805	GARLK	450073*
63X7324	GARLK	415027*	63X7559	GARLK	417356!	63X7752	GARLK	471760*	63X8063	GARLK	350974!
63X7327	GARLK	471887*	63X7559	GARLK	455188	63X7758	GARLK	417601*	63X8067	GARLK	472644
63X7328	GARLK	415995!	63X7560	GARLK	416154!*	63X7759	GARLK	457874	63X8074	GARLK	471827!*
63X7328F1	GARLK	415995!	63X7561	GARLK	417602!*	63X7764	GARLK	416273!	63X808	GARLK	450284=
63X733	GARLK	450065*	63X7562	GARLK	415219*	63X7765	GARLK	418028	63X8081	GARLK	450819*
63X7332	GARLK	415027*	63X7563	GARLK	472492!	63X7765	GARLK	455137!	63X81	GARLK	471558
63X7334	GARLK	455144*	63X7564	GARLK	471271!	63X7767	GARLK	471829	63X810	GARLK	450284=
63X734	GARLK	450065	63X7566	GARLK	416865!*	63X7768	GARLK	450307*	63X8102	GARLK	455556*
63X7341F1	GARLK	472475	63X7567F1	GARLK	471192	63X777	GARLK	481864	63X8104	GARLK	472299*
63X7342	GARLK	415645!	63X7568	GARLK	470625!	63X7772	GARLK	455820*	63X8111	GARLK	47196!*
63X7342	GARLK	455104	63X7568F1	GARLK	470625!*	63X7774	GARLK	415227!*	63X8112	GARLK	417511
63X7346	GARLK	451948*	63X7572	GARLK	417316!	63X7775	GARLK	455556*	63X8117	GARLK	415023
63X7347	GARLK	415027	63X7574	GARLK	415303!*	63X7776	GARLK	415458!	63X8120	GARLK	415371*
63X7347	GARLK	415027!	63X7578	GARLK	416153!	63X7776F1	GARLK	415458!	63X8127	GARLK	416891!*
63X7348	GARLK	417535*	63X7590	GARLK	472157!	63X778	GARLK	474274	63X8128	GARLK	417355!*
63X7349	GARLK	475384*	63X7590	GARLK	472157	63X7780	GARLK	415128*	63X8129	GARLK	470774!
63X7350	GARLK	415991	63X7594	GARLK	416271!*	63X7783	GARLK	417604*	63X8131	GARLK	450285*
63X7350	GARLK	455146!	63X760	GARLK	473231	63X7784	GARLK	417181!*	63X8135	GARLK	473227
63X7353	GARLK	417601*	63X7603	GARLK	416476!	63X7785	GARLK	455123*	63X8140	GARLK	455462*
63X7357	GARLK	412473!	63X761	GARLK	473231	63X7786	GARLK	455123*	63X8151	GARLK	415991
63X7358	GARLK	471646!	63X7610	GARLK	417549!*	63X7787	GARLK	417351!	63X8151	GARLK	455146!
63X7364	GARLK	455019!*	63X7611	GARLK	417198*	63X7791	GARLK	416339	63X8153	GARLK	415458!
63X7366	GARLK	417550*	63X7612	GARLK	415072*	63X7791	GARLK	455031!	63X8154	GARLK	416404!*
63X7368	GARLK	455480!*	63X7615	GARLK	415027!	63X7795	GARLK	417247!*	63X8156	GARLK	417171!*
63X7370F1	GARLK	472164!	63X7615	GARLK	415027	63X7796	GARLK	455584*	63X8161	GARLK	415045!*
63X7371	GARLK	415551*	63X7616	GARLK	416332!	63X78	GARLK	471532	63X8165	GARLK	415066*
63X7372	GARLK	471808!*	63X762	GARLK	473231	63X780	GARLK	474274	63X8169	GARLK	457874*
63X7372F1	GARLK	471808!	63X7626	GARLK	417549!*	63X7803	GARLK	415196!*	63X8173	GARLK	416077*
63X7374	GARLK	476470	63X7629	GARLK	417562*	63X781	GARLK	450275	63X8187	GARLK	472475*
63X7375	GARLK	417596*	63X763	GARLK	473367!	63X7812	GARLK	416345!	63X8187R1	GARLK	472475
63X7382	GARLK	411253!	63X763	GARLK	473367	63X7812	GARLK	455033	63X8188	GARLK	455019!*
63X7386	GARLK	472258!*	63X7633	GARLK	471887*	63X7814	GARLK	415035	63X8192	GARLK	417273*
63X7389	GARLK	415379	63X7633F1	GARLK	471887	63X7819	GARLK	416167!	63X82	GARLK	471558*
63X7389	GARLK	415379!	63X764	GARLK	473367!	63X782	GARLK	450275	63X820	GARLK	450415*
63X739	GARLK	482253*	63X764	GARLK	473367	63X7824	GARLK	415090*	63X8205	GARLK	417596
63X7390	GARLK	471766!	63X7642	GARLK	416294!*	63X7825	GARLK	417597*	63X8208	GARLK	417513*
63X7390F1	GARLK	471766!	63X7646	GARLK	473454	63X7829	GARLK	416664!	63X8213	GARLK	472636!
63X7391	GARLK	474255	63X7649	GARLK	42018*	63X7829F1	GARLK	416664!	63X8214	GARLK	455820*
63X7402	GARLK	415088	63X765	GARLK	473367	63X783	GARLK	450275	63X8222	GARLK	417621!
63X7402	GARLK	415088!	63X765	GARLK	473367!	63X7831	GARLK	471646!	63X8224	GARLK	455191*
63X7409	GARLK	416107!	63X7652	GARLK	417541*	63X7837	GARLK	417513*	63X8231	GARLK	417191
63X7409	GARLK	455073	63X7653	GARLK	415076*	63X7839	GARLK	417252*	63X8231	GARLK	456585
63X7418	GARLK	415683*	63X7659	GARLK	415034!	63X7840	GARLK	55357*	63X8233	GARLK	476470*
63X7419	GARLK	476470	63X7661	GARLK	471192	63X7842	GARLK	472020*	63X8238	GARLK	417606*
63X742	GARLK	451469*	63X7668	GARLK	417316!	63X7846	GARLK	482089=	63X8243	GARLK	415072*
63X7420	GARLK	472029*	63X7669	GARLK	417298*	63X7861	GARLK	415196!*	63X8245	GARLK	417487
63X7423	GARLK	6936S	63X7670	GARLK	476470	63X7864	GARLK	450285*	63X8248	GARLK	470950!
63X7433	GARLK	415072*	63X7671	GARLK	415259!*	63X787	GARLK	473444	63X8248	GARLK	6241S
63X7435	GARLK	472020*	63X7675	GARLK	471787!	63X7873	GARLK	473231	63X8251	GARLK	417596*
63X7436	GARLK	415327*	63X7677	GARLK	472319*	63X7877	GARLK	415066*	63X8252	GARLK	415294!
63X7439	GARLK	55199*=	63X7684	GARLK	473234	63X7879	GARLK	417780*	63X826	GARLK	473233!
63X744	GARLK	451469	63X7685	GARLK	415938*	63X788	GARLK	473444	63X8262	GARLK	415124*
63X7440	GARLK	415379	63X7686	GARLK	415041*	63X7880	GARLK	416556!	63X8265	GARLK	481792*
63X7440	GARLK	415379!	63X7687	GARLK	481792	63X7880	GARLK	472157	63X8266	GARLK	473444
63X7447	GARLK	470059	63X7689	GARLK	416158*	63X789	GARLK	473444	63X8267	GARLK	471551!
63X7447	GARLK	470380!	63X769	GARLK	473010	63X79	GARLK	473405*	63X827	GARLK	473233!
63X7448	GARLK	415036*	63X7690	GARLK	415187*	63X790	GARLK	473231	63X8270	GARLK	410308!
63X751	GARLK	450274	63X7695	GARLK	474281!	63X7907	GARLK	470950!	63X8272	GARLK	471472!
63X7510	GARLK	472311!	63X77	GARLK	471532*	63X7907	GARLK	6241S	63X8274	GARLK	473239
63X7516	GARLK	474278!	63X7700	GARLK	413246	63X7909	GARLK	417602!*	63X8275	GARLK	450165
63X7518	GARLK	471766!	63X771	GARLK	473010	63X7915	GARLK	471835!	63X8275	GARLK	471801!
63X7523	GARLK	471862*	63X7717	GARLK	417171!*	63X792	GARLK	473231	63X8278	GARLK	416153!
63X7542	GARLK	417349*	63X772	GARLK	473232	63X7922	GARLK	55223*=	63X828	GARLK	473233!

! Industrial Size/Type * Minor Width Difference

= The U.S. customer service number is 877-4-TIMKEN. The Canadian customer service numbers are 800-565-4927 (English) and 800-565-0438 (French-Canadian).

NUMERICAL INTERCHANGE

Zero Duplication or Recommended Industrial		Zero Duplication or Recommended Industrial		Zero Duplication or Recommended Industrial		Zero Duplication or Recommended Industrial					
Mfr. No.	Name	Mfr. No.	Name	Mfr. No.	Name	Mfr. No.	Name				
63X8280	GARLK	415379	63X8573	GARLK	415001!	63X8780	GARLK	455146!	63X928	GARLK	471984*
63X8280	GARLK	415379!	63X8579	GARLK	417601*	63X8787	GARLK	415259!*	63X930	GARLK	471564
63X8284	GARLK	474256	63X8585	GARLK	415072*	63X8790	GARLK	473441*	63X931	GARLK	471984
63X829	GARLK	473445*	63X859	GARLK	471981	63X8797	GARLK	413247!	63X933	GARLK	473313
63X8292	GARLK	473458!*	63X8591	GARLK	415871*	63X88	GARLK	471466!	63X933	GARLK	473313
63X8293	GARLK	473238!*	63X8592	GARLK	417211!*	63X8819	GARLK	455406!*	63X9345	GARLK	471733
63X8300	GARLK	415327*	63X8596	GARLK	455584*	63X8824	GARLK	417254*	63X94	GARLK	471564*
63X8306	GARLK	416107!	63X85X10	SIMRT	63X85X10	63X8825	GARLK	416891!*	63X940	GARLK	50266*
63X8306	GARLK	455073	63X85X10SC	TRSCM	63X85X10	63X8828	GARLK	455462*	63X943	GARLK	450269*
63X8309	GARLK	417538*	63X85X10TC	TRSCM	63X85X10	63X8830	GARLK	415559*	63X946	GARLK	450285*
63X8310	GARLK	417539!*	63X8608	GARLK	455022*	63X8833	GARLK	416664!	63X9481	GARLK	471486
63X8311	GARLK	415437	63X861	GARLK	471981	63X8836	GARLK	417171!*	63X949	GARLK	471866!*
63X8311	GARLK	415437!	63X862	GARLK	50327	63X8845	GARLK	417541*	63X95	GARLK	471612
63X8312F1	GARLK	471750!	63X8628	GARLK	417542*	63X8846	GARLK	417547*	63X9501	GARLK	330385!
63X8314	GARLK	471765!	63X8629	GARLK	417539!*	63X8847	GARLK	417497*	63X951	GARLK	471866!
63X8328	GARLK	455197N*	63X8631	GARLK	416167!	63X8848	GARLK	410987!*	63X9515	GARLK	471267!*
63X8330	GARLK	416154!*	63X8633	GARLK	416154!*	63X8856	GARLK	417537*	63X958	GARLK	473448*
63X8331	GARLK	417258*	63X8635	GARLK	455197N*	63X886	GARLK	50081*	63X96	GARLK	471612
63X8342	GARLK	450557	63X8636	GARLK	415196!*	63X8864	GARLK	418028	63X961	GARLK	471984*
63X8342	GARLK	471255!	63X8638	GARLK	417205!*	63X8864	GARLK	455137!	63X9633	GARLK	480281!
63X835	GARLK	473234	63X8640	GARLK	415984!*	63X8868	GARLK	417605*	63X964	GARLK	473313
63X8353	GARLK	476535	63X8643	GARLK	472572!	63X887	GARLK	50081*	63X97	GARLK	481528
63X836	GARLK	473234	63X8646	GARLK	450068*	63X8870	GARLK	415683*	63X976	GARLK	472070*
63X837	GARLK	473234	63X8652	GARLK	50254* =	63X8875	GARLK	50327*	63X978	GARLK	472070
63X838	GARLK	473235!*	63X8657	GARLK	417262!	63X8879	GARLK	450593!	63X979	GARLK	471866!
63X8384	GARLK	415867*	63X8662	GARLK	417020*	63X8881	GARLK	416556!	63X98	GARLK	481528
63X8396	GARLK	415937!*	63X8663	GARLK	417541*	63X8881	GARLK	472157	63X982	GARLK	473449
63X840	GARLK	473235!	63X8665	GARLK	417603!*	63X8886	GARLK	470596*	63X983F1	GARLK	471192
63X8400	GARLK	415142*	63X8668	GARLK	455685*	63X8887	GARLK	471413	63X984	GARLK	473449
63X8401	GARLK	473454	63X8676	GARLK	417159	63X8903	GARLK	417191	63X987	GARLK	480281!
63X8404	GARLK	413469!*	63X8678	GARLK	417366!*	63X8903	GARLK	456585	63X988	GARLK	450269*
63X8409	GARLK	471633!*	63X8679	GARLK	455151*	63X8904	GARLK	416107!	63X991	GARLK	473450
63X841	GARLK	474265	63X8680	GARLK	415227!*	63X8904	GARLK	455073	63X9943F1	GARLK	471829
63X8410	GARLK	417512*	63X8681	GARLK	417501*	63X8907	GARLK	415045!*	64 AU-WS		412040
63X8416	GARLK	410737!	63X8682	GARLK	470645*	63X8912	GARLK	417542*	64 B-L-H		412040
63X8417	GARLK	455584*	63X8683	GARLK	417511*	63X8917	GARLK	415090*	6400 C-R		16X22X4
63X8419	GARLK	415138!*	63X8687	GARLK	415128*	63X895	GARLK	470086*	64001 VIC		350364
63X842	GARLK	474265	63X8696	GARLK	417485*	63X898	GARLK	471504!	640087 CONTI		471103!
63X8423	GARLK	415072*	63X8697	GARLK	417509*	63X899	GARLK	471504!	64010 VIC		471103!
63X843	GARLK	474265	63X8698	GARLK	455297*	63X900	GARLK	471504!	64021 VIC		471750!
63X8430	GARLK	456105*	63X87	GARLK	471466!	63X9009	GARLK	471688*	64022 VIC		471224!
63X8437	GARLK	553015*	63X8700	GARLK	418028	63X9013	GARLK	352541*	640230 CATER		471341!
63X844	GARLK	473236!*	63X8700	GARLK	455137!	63X904	GARLK	472164!	640230 GERL		471341!
63X8442	GARLK	417252*	63X8704	GARLK	470625!	63X905	GARLK	472164*	64024 VIC		471787!
63X8443	GARLK	416229*	63X8705	GARLK	480281!	63X906	GARLK	472164!	64029 VIC		471224!
63X845	GARLK	473236!*	63X8708	GARLK	417780*	63X907	GARLK	472185!	6403 C-R		16X24X5!
63X846	GARLK	473236!	63X871	GARLK	450068*	63X909	GARLK	472185!	6403 C-R		16X24X6
63X8460	GARLK	416891!*	63X8712	GARLK	415645!	63X9093F1	GARLK	470605!	64030 VIC		6863S!
63X8462	GARLK	415090*	63X8712	GARLK	455104	63X90X10	FORSH	63X90X10	640335 WILYS		470059
63X8466	GARLK	417509*	63X8724	GARLK	473463*	63X90X10	SIMRT	63X90X10	640335 WILYS		470380!
63X8469	GARLK	415871*	63X8726	GARLK	417349*	63X90X10SC	TRSCM	63X90X10	640345 WILYS		471801!
63X8470	GARLK	417159*	63X8728	GARLK	470605!*	63X90X10TC	TRSCM	63X90X10	64035 VIC		471689!
63X8471	GARLK	417556*	63X8731	GARLK	417356!	63X91	GARLK	471255!	64038 VIC		8660S
63X8477	GARLK	455026*	63X8731	GARLK	455188	63X910	GARLK	470334!	640383 WILYS		340797
63X8488	GARLK	455566*	63X8732	GARLK	473239	63X911	GARLK	470334!	6404 C-R		221607
63X8494	GARLK	415482*	63X8734	GARLK	471820*	63X912	GARLK	470334!	64042 VIC		450984
63X8498	GARLK	471341!	63X8736	GARLK	415072*	63X913	GARLK	472179	64045 VIC		8460N
63X8521	GARLK	412040*	63X8738	GARLK	470565!*	63X914	GARLK	472179	640454 WHITE		416130!
63X8529	GARLK	417597*	63X874	GARLK	50075* =	63X915	GARLK	472179	640454D5 DIA		416130!
63X853	GARLK	473446	63X8744	GARLK	417357	63X916	GARLK	473447	64046 VIC		471504
63X8530	GARLK	416664!	63X8744	GARLK	455192!	63X918	GARLK	473447	640463 WILYS		473232
63X854	GARLK	473446	63X8745	GARLK	416891!*	63X919	GARLK	470334!	64047 VIC		6863S!
63X855	GARLK	473446*	63X8747	GARLK	415867*	63X919	GARLK	50289	640478 CATER		345035
63X8551	GARLK	416149*	63X8752	GARLK	417362!*	63X92	GARLK	471255!	640479 CATER		345035
63X8556	GARLK	417507	63X8755	GARLK	55223* =	63X921	GARLK	470334!	64048 VIC		472070
63X8556	GARLK	417507!	63X8756	GARLK	417020*	63X921	GARLK	50289	64049 VIC		471733
63X8560	GARLK	417604*	63X8757	GARLK	417494*	63X922	GARLK	471141!	6405 C-R		16X24X7
63X8566	GARLK	455576!*	63X8758	GARLK	417020*	63X923	GARLK	471141!	64050 VIC		471733
63X8569	GARLK	471818*	63X877	GARLK	50191*	63X9234F1	GARLK	473445	64051 VIC		471442!
63X8570	GARLK	415263*	63X8775	GARLK	417298*	63X924	GARLK	471141!	64054 VIC		471652
63X8571	GARLK	413248	63X8778	GARLK	416163*	63X925	GARLK	473448	640545 AMC		471801!
63X8572	GARLK	472029*	63X8780	GARLK	415991	63X927	GARLK	473448	640545 WILYS		471801!

! Industrial Size/Type * Minor Width Difference

= The U.S. customer service number is 877-4-TIMKEN. The Canadian customer service numbers are 800-565-4927 (English) and 800-565-0438 (French-Canadian).

Mfr. No.	Name	Zero Duplication or Recommended Industrial	Mfr. No.	Name	Zero Duplication or Recommended Industrial	Mfr. No.	Name	Zero Duplication or Recommended Industrial	Mfr. No.	Name	Zero Duplication or Recommended Industrial
64055	VIC	471526!	64142	VIC	471684!	64320	VIC	470712!	645	C-R	410987
640555	WILYS	472179	64143	VIC	415867	64323	VIC	204020	64500	C-R	165X190X13!
640561	WILYS	472179	64144	VIC	473406!	64323	VIC	204505!	64501R	TROS	473179
64059	VIC	350936	64147	VIC	342805	64324	VIC	471763	64502	VIC	455336
6406	C-R	16X28X7	64148	VIC	39807	643247C91	IH	416664=	645058R91	IH	480630!
64061	VIC	471692!	64150	VIC	471231!	6432LPD	JN-MN	417073*	64507	VIC	J1606
64062	VIC	471692!	64153	HYST	473425	6432LUP	JN-MN	417073	64511	VIC	370012A
64063	VIC	473179!	64159	VIC	472164!	64335	DENCO	415058	64517	VIC	370048A
64064	VIC	5126	64162	VIC	353131	64346	HYST	471765!	64517	VIC	380048A
64066	VIC	473459	64162	VIC	471231!	64346	VIC	472475	64523	VIC	44052
64066	VIC	473459!	64165	VIC	415072	64347	VIC	473426	64529	VIC	450593!
64068	DENCO	415045!	64173	VIC	470954!	64349	VIC	471765!	64530	VIC	370001A
64068	VIC	9406S	64174	VIC	481534	6435	C-R	16X32X7	64533	VIC	J1119
6407	C-R	16X28X7V	6418	C-R	16X30X7!	64353	VIC	471354!	64534	VIC	370054A
64075	VIC	471692!	6418	C-R	221620	64360S	TROS	7686S	64538	VIC	370132A
64076	VIC	472705!	6418SS	JN-MN	471567!	64362	VIC	453510	64539	VIC	370131A
64077	VIC	471763	64191	VIC	353132	64368	ALLCH	327303!	64539	VIC	455685
640777	BENDI	456105	64193	VIC	471267!	64382	VIC	353135	6453LA	JN-MN	450472!
640778	BENDI	416125!	64195	VIC	712270	64382	VIC	474278!	64540	VIC	J1238*
640779	BENDI	473426	64196	VIC	471570!	64385	VIC	471737	64541	VIC	370011A
64078	VIC	471281!	64199	VIC	350877	643882	CATER	470898	64542	VIC	415371
6408	C-R	16X26X7!	64199	VIC	471633!	64395	VIC	471795	64546	VIC	370006A
6408	C-R	710243	6419SS	JN-MN	473231!	6439SS	JN-MN	17X40X7	6454G	P-C	TCS45472
64081	VIC	416706!	6420	C-R	16X30X7	6440	C-R	16X35X7	6454LA	JN-MN	416654!
64083	VIC	416706!	64200	VIC	471646!	644023	GERL	415027	6455	C-R	710261
64084	VIC	416706	64202S	TROS	8660S	644023	GERL	415027!	64550001	DANA	JX1238=
64085	VIC	416706!	64203	VIC	204035	64402S	TROS	8610	64551	EATON	410737!
64086	VIC	416364!	64203S	TROS	8940S	64405	VIC	353137	64553	VIC	370021A
64087	VIC	471532	64209	VIC	41461S	64405	VIC	473424	64558	VIC	370047A
64088	VIC	416364!	6421	C-R	16X30X7V!	644071	MANT	J1121	64560	VIC	481181!
640885	WILYS	6465	6421	C-R	481528	644119	GERL	472924!	64561	VIC	370046A
6408S	SPG	471442!	64210	VIC	323133	64414	VIC	370001A	64562	VIC	473231!
6409	C-R	16X28X7V	64213	CROWN	200885	64415	VIC	370124A	64564	VIC	370046A
64090	VIC	471413!	64220	TROS	9569S	6442	C-R	16X35X7!	64566	VIC	370106A
64092	VIC	470380!	64221	TROS	51322	644236X1	IH	6703S	64567	VIC	370019A
64094	VIC	473228	64222	VIC	471571	64424	VIC	471765!	64568	VIC	J1131
64095	VIC	473228!	64223D	IH	472157	644254	WILYS	40286	645681	ALLCH	415725!
640959	VIC	42763	64223D	IH	472157!	644284	AMC	471766!	6456LA	JN-MN	455026
64096	VIC	471466!	64225	VIC	370013A	644284	WILYS	471766!	64570	VIC	J1138
640977	CATER	6872S	64227	VIC	370012A	64433	VIC	473228!	64571	VIC	416865
64098	VIC	471264!	64231	VIC	370029A	64434	VIC	417698	64572	VIC	3095
640983	CATER	6481=	642311	CHRYL	50490=	64437	VIC	370057A	64572	VIC	3103
64099	VIC	473237!	64234	VIC	370008A	64443	VIC	370030A	64573	VIC	3103!
641	C-R	5M544	64236	VIC	417247!	64443	VIC	455861=	64579	VIC	472397!
6410	C-R	16X28X7!	64238	VIC	417541	64446	VIC	323138!	6457LA	JN-MN	415259!
6410	C-R	221610	6423LPD	JN-MN	415995!	64448	VIC	472354!	6457S	SPG	370002A
64101	AT SU	8705S	6423LUP	JN-MN	415995!	644538	WILYS	340787	64581	VIC	J1137=
64101	VIC	471255!	6424	SPG	472354!	64454	VIC	471192	64584	VIC	417505
64101S	TROS	8705S	64242	VIC	1010=	64456	VIC	370002A	64585	VIC	J1128
64107	VIC	470530!	64242	VIC	472311!	64460	VIC	418028	64589	VIC	417506
64108	VIC	470530!	64245	VIC	471224!	64461	VIC	J1401=	645891	WILYS	240385
64109	VIC	471538!	64246	VIC	455008	64462	VIC	473231!	64592	VIC	2669
6411	C-R	16X28X7	64247	VIC	471649!	64464	VIC	370145A	64592	VIC	472475
64116	VIC	415960	6424LA	JN-MN	473419	64468	VIC	370007A	64595	VIC	9912
64117	VIC	415960!	6425	C-R	16X30X7V	64471	VIC	417172	645980	WILYS	5MR1300
64119	VIC	415960	64250	VIC	471689!	644777	BENDI	416288!	646007	CATER	415035
6412	C-R	16X28X7!	64258	VIC	471760	64482	VIC	415958	646007	CATER	415035!
6412	C-R	221610	6426	C-R	16X30X7!	644830	BENDI	471689!	64601	VIC	353141!
64122	VIC	415269=	6426	C-R	221620	644831	BENDI	473444	646015	GERL	417596
64126	VIC	470954!	64261	VIC	471619!	644832	BENDI	450593!	64601S	TROS	472082
64129	AM WH	472144!	64262	VIC	J1134	64484	VIC	415960!	64602	AM WH	417563
64129	VIC	415295	642649	BENDI	473367!	644856	CHRYL	470354	64603	VIC	370034A
6413278B	HERCU	472924=	642649	BENDI	473367	64487	AM WH	473214!	646059	CHRYL	472560N!
64133	VIC	324941	64281	VIC	471765!	64487	VIC	417134	6460LA	JN-MN	417273
64135	VIC	471554!	64284	VIC	471651	64488	AM WH	417343!	646110M1	MASSE	471316
641365	WILYS	6465	64295	VIC	471762!	644881	BENDI	471733	6461LA	JN-MN	416167!
64137	VIC	471567!	6430	C-R	16X32X7	64489	VIC	J1120*=	646239	WILYS	6465
641383	SPICE	40769S	64314	VIC	472560N!	64491	VIC	370011A	64635	VIC	6703S
641383	WILYS	40769S	64315	VIC	471652	64494	VIC	474276!	64636	VIC	473237!
64139	VIC	471498	64317	VIC	470328	64495	VIC	370033A	64638	VIC	472164!
6413S	NATL	483054N	64317	VIC	481213!	64496	VIC	481163!	6464	HYST	417316!
64140	VIC	471643!	64317W	DIA	240151	644K1	WHITE	240151	64646	VIC	472179

! Industrial Size/Type * Minor Width Difference

= The U.S. customer service number is 877-4-TIMKEN. The Canadian customer service numbers are 800-565-4927 (English) and 800-565-0438 (French-Canadian).

NUMERICAL INTERCHANGE

Mfr. No.	Name	Zero Duplication or Recommended Industrial	Mfr. No.	Name	Zero Duplication or Recommended Industrial	Mfr. No.	Name	Zero Duplication or Recommended Industrial	Mfr. No.	Name	Zero Duplication or Recommended Industrial
64656	EATON	416654	64X3984	GARLK	417606 *	65-01802	VERA	1981	65002	C-R	415294!
64679	EATON	416271	64X3985	GARLK	550785 *	65-01893	VERA	471224!	6500201	VERA	1174
64680	EATON	712375	64X3997	GARLK	417020 *	65-01943	VERA	224320	6500201	VERA	38X52X8.5!
646851	ALLCH	471466!	64X3998	GARLK	417020 *	65-01984	VERA	1097N	6500284	VERA	225230
64687D	IH	472397!	64X4009	GARLK	417570 *	65-01992	VERA	472164	6500284	VERA	52X72X8!
64688D	IH	415995!	64X4011	GARLK	457997	65-02015	VERA	472397!	6500318	VERA	1953
64697	VIC	473231!	64X4017	GARLK	415227! *	65-02043	VERA	24X35X7	6500318	VERA	42X60X7!
6470	C-R	16X38X7	64X4031	GARLK	55228 * =	65-02049	VERA	24X35X7	6500326	VERA	471289 =
647217R91	IH	415085!	64X4036	GARLK	415482 *	65-02155	VERA	223620	6500326	VERA	473230
647217R91	IH	456648	64X4057	GARLK	415077	65-02189	VERA	472213	6500557	VERA	223555
64730	VIC	417158!	64X4063	GARLK	415076 *	65-02239	VERA	471870!	6500557	VERA	35X64X8!
647400R91	IH	5976S	64X4072	GARLK	417608	65-02288	VERA	228010	6500581	VERA	472287!
647468	WILYS	471504	64X4499	GARLK	415124 *	65-02395	VERA	471224!	6500599	VERA	224045
6474SS	JN-MN	30X62X7 *	64X4500	GARLK	417022 *	65-02429	VERA	5778	6500599	VERA	40X62X12!
6475	VICK	471442!	64X4610	GARLK	415871	65-02486	VERA	1110	6500623	VERA	1973
64754	VIC	450073	64X80X8	FORSH	64X80X8	65-02650	VERA	222242	6500623	VERA	48X65X10!
64780	HYST	471765!	64X80X8	SIMRT	64X80X8	65-02817	VERA	203006!	6500706	VERA	1174
64780	VIC	352541	64X80X8SC	TRSCM	64X80X8	65-02858	VERA	474134	6500706	VERA	38X52X8.5!
647829	BENDI	450039	64X80X8TC	TRSCM	64X80X8	65-02882	VERA	1938	6500714	VERA	1012
647830	BENDI	471276	64X90X13	SIMRT	64X90X13	65-02890	VERA	1943	6500714	VERA	1012N
64794	VIC	225230 *	65-00029	VERA	473823	65-02900	VERA	494117	6500714	VERA	45X62X8!
64794	VIC	52X72X8!	65-00052	VERA	1167	65-02908	VERA	494117	6500763	VERA	224270
6480	C-R	16X40X7	65-00060	VERA	1173	65-03020	VERA	3771	6500763	VERA	42X72X10!
648008A	HARWA	64X80X8!	65-00094	VERA	223014	65-03038	VERA	3771	6500771	VERA	224045
648029	CATER	417134	65-00250	VERA	471192	65-03087	VERA	3476	6500771	VERA	40X62X12!
648029	TMTR	417134	65-00268	VERA	471766!	65-03103	VERA	1949	6500789	VERA	223542
6481	C-R	16X40X7	65-00300	VERA	473367	65-03111	VERA	473812	6500789	VERA	35X55X11!
648149	GMC	412119!	65-00334	VERA	1952	65-03129	VERA	473179!	6500821	VERA	224470
6482134	DURA	470954!	65-00342	VERA	470487!	65-03137	VERA	1939	6500821	VERA	44X72X10!
64853210	TROS	416107!	65-00409	VERA	1956	65-03228	VERA	1990	6500854	VERA	55X82X12!
64853210	TROS	455073	65-00417	VERA	228010	65-03426	VERA	2016	6500870	VERA	227550
648620	ALLCH	416345!	65-00433	VERA	222242	65-03434	VERA	334111	6500870	VERA	75X100X12!
648620	ALLCH	455033	65-00441	VERA	1165	65-03442	VERA	2003N!	6500888	VERA	1955
6487	HYST	416865!	65-00466	VERA	223535	65-03459	VERA	444116	6500888	VERA	52X65X9!
64895HA	IH	412871!	65-00482	VERA	223014	65-03467	VERA	1985	6500896	VERA	225020
649010A	HARWA	64X90X13	65-00508	VERA	226480	65-03475	VERA	1986	6500896	VERA	50X68X8!
64901S	TROS	8750S	65-00516	VERA	1962	65-03509	VERA	225540	6500904	VERA	224820
649020	CATER	472705!	65-00532	VERA	1195	65-03558	VERA	494123	6500904	VERA	48X62X8!
649266	ALLCH	415995!	65-00565	VERA	32X58X8!	65-03582	VERA	224015	6500946	VERA	1187
649299R91	IH	415697!	65-00615	VERA	1188	65-03616	VERA	415984!	6500946	VERA	47X68X10!
649299R91	IH	455547	65-00631	VERA	494122	65-03673	VERA	223035	6500953	VERA	1012
649352	WILYS	473228	65-00664	VERA	1192	65-03715	VERA	482126	6500953	VERA	1012N
64935D	IH	455005	65-00722	VERA	1974	65-03798	VERA	710060	6500979	VERA	1213N
649406	CATER	416043	65-00839	VERA	471224!	65-03814	VERA	224025	6501	ALOY	5123
649463-1	SPICE	450040	65-00862	VERA	228010	65-03822	VERA	1960	65010	C-R	416229
649463-2	SPICE	473238	65-00920	VERA	1996	65-03830	VERA	474134	6501000	VERA	1181
649463-3	SPICE	413247!	65-01042	VERA	471224!	65-04050	VERA	1987	6501000	VERA	41X56X7!
649463-4	SPICE	415449!	65-01067	VERA	480630!	65-04068	VERA	225220	6501018	VERA	1181
649463-5	SPICE	415379	65-01083	VERA	472397!	65-04100	VERA	5696	6501018	VERA	41X56X7!
649463-5	SPICE	415379!	65-01091	VERA	1959	65-04142	VERA	5695	6501026	VERA	224015
649463-6	SPICE	471692!	65-01125	VERA	1950	65-04258	VERA	471870!	6501026	VERA	40X52X7!
6494G	P-C	TCS45472	65-01133	VERA	224015	65-04266	VERA	1937	6501034	VERA	224015
6494LA	JN-MN	473245!	65-01141	VERA	1176	65-04274	VERA	494117	6501034	VERA	40X52X7!
649574	GMC	481163!	65-01185	VERA	2002	65-04282	VERA	1952	65011	C-R	416229
649591	GMC	417505	65-01216	VERA	470898	65-04290	VERA	413818	6501103	VERA	224560
6495S	NATL	455566	65-01265	VERA	473234!	65-04308	VERA	1949	6501103	VERA	45X68X7!
64992	C-R	415294!	65-01281	VERA	1177	65-04431	VERA	225650	6501109	VERA	224560
64993	C-R	415294! *	65-01315	VERA	1960	6500	NATL	471829	6501109	VERA	45X68X7!
64994	C-R	415294! *	65-01398	VERA	224252	65000	C-R	415294!	6501117	VERA	1180
64995	C-R	415294!	65-01430	VERA	1196	6500011	VERA	1213N	6501117	VERA	41X55X7!
6499SS	JN-MN	254287	65-01455	VERA	3698	6500037	VERA	1994	6501158	VERA	223010
64SD-53	IG-RA	417316!	65-01463	VERA	472164!	6500037	VERA	48X70X9!	6501158	VERA	30X42X7!
64X3921	GARLK	417601 *	65-01513	VERA	1984	65000U	TRISL	370048A	6501208	VERA	224835
64X3926	GARLK	417602! *	65-01588	VERA	473234!	65000U	TRISL	380048A	6501208	VERA	48X68X10!
64X3938	GARLK	417604 *	65-01612	VERA	473228!	65001	VIC	350364	6501224	VERA	451948
64X3944	GARLK	417567 *	65-01638	VERA	1183	6500136	VERA	1012	6501273	VERA	223840
64X3952	GARLK	415128 *	65-01679	VERA	2002	6500136	VERA	1012N	6501273	VERA	38X58X8!
64X3953	GARLK	455129 *	65-01711	VERA	1873	6500136	VERA	45X62X8!	6501299	VERA	223840
64X3954	GARLK	455462 *	65-01745	VERA	471195!	6500169	VERA	222510	6501299	VERA	38X58X8!
64X3955	GARLK	415090 *	65-01778	VERA	1967	6500169	VERA	25X35X7!	6501307	VERA	223542
64X3962	GARLK	55218 * =	65-01786	VERA	1209	6500193	VERA	224520	6501307	VERA	35X55X11!
64X3968	GARLK	415219 *	65-01794	VERA	3771	6500193	VERA	45X60X10!	6501364	VERA	472258!

! Industrial Size/Type * Minor Width Difference

= The U.S. customer service number is 877-4-TIMKEN. The Canadian customer service numbers are 800-565-4927 (English) and 800-565-0438 (French-Canadian).

Zero Duplication or Recommended Industrial		Zero Duplication or Recommended Industrial		Zero Duplication or Recommended Industrial		Zero Duplication or Recommended Industrial					
Mfr. No.	Name	Mfr. No.	Name	Mfr. No.	Name	Mfr. No.	Name				
6501414	VERA	224835	6502940	VERA	62X85X8!	65060U	TRISL	386025A	65263U	TRISL	370001A
6501414	VERA	48X68X10!	6502946	VERA	226285	65060U	TRISL	416158	652656	CLARK	470625!
6501547	VERA	1012	6502946	VERA	62X85X8!	65060W+67048J	TRISL	386025A	65269W+67009J	TRISL	370121A
6501547	VERA	1012N	6502957	VERA	223605	65060W+67048J	TRISL	416158	65270U	TRISL	416892
6501554	VERA	226020	6502957	VERA	36X50X7!	65061	AMC	473446	65270W+67093J	TRISL	416892
6501554	VERA	60X80X8!	6502973	VERA	223275	65064	AMC	473446	65275U	TRISL	370033A
6501570	VERA	224820	6502973	VERA	32X56X10!	65065W+67094J	TRISL	370005A	652769R91	IH	204017
6501570	VERA	48X62X8!	65030	C-R	416229	65066SS	JN-MN	471192*	65279W+67093J	TRISL	416892
6501646	VERA	1174	6503095	VERA	716102	6507	SPG	6356	6528	SPG	474255
6501646	VERA	38X52X8.5!	6503095	VERA	85X105X10!	65071U	TRISL	415058	6528LA	JN-MN	470774!
6501703	VERA	224820	65030U	TRISL	370069A	65072W+67093J	TRISL	370021A	65294U	TRISL	370033A
6501752	VERA	1208	65030U	TRISL	380069A	65073W+67036J	TRISL	370002A	65298U	TRISL	370037A
6501752	VERA	48X72X7!	65030W+67067J	TRISL	370069A	65073W+67047J	TRISL	370029A	65298U	TRISL	370338A
6501810	VERA	473238	65030W+67067J	TRISL	380069A	650760	ALLCH	471271=	6530R	JN-MN	455576!*
6501919	VERA	350936	6503145	VERA	224520	650773	WHITE	417254	65312	VIC	340815
6501950	VERA	223830	6503145	VERA	45X60X10!	650773A3	DIA	417254	65314	VIC	472560N
6501950	VERA	38X55X7!	650328	CHRY	473450!	65078U	TRISL	370131A	6531SS	JN-MN	471567!
6501SS	JN-MN	350156	6503319	VERA	1994	650794	ALLCH	470954!	6532R	JN-MN	472150*
6501SS	JN-MN	473096	6503319	VERA	48X70X9!	65082D	IH	456105	653337	GWI	471737=
6502023	VERA	224235	6503327	VERA	228020	65085	C-R	457131N=	6533EL	SUL	415991
6502064	VERA	1969	6503327	VERA	80X105X13!	65085D	IH	456105	6533EL	SUL	455146!
6502064	VERA	48X63X9!	6503335	VERA	224020	650893	WHITE	455500	6533LA	JN-MN	417555!*
6502080	VERA	451857	6503335	VERA	40X55X8!	65096	VIC	471466	6533LPD	JN-MN	417555!
65021	C-R	416229*	6503373	VERA	227020	6509LA	JN-MN	473232	65340S	TROS	8695S
6502148	VERA	224025	6503373	VERA	70X88X8!	650D5	WHITE	416282	65343	DENCO	415058
6502148	VERA	24X35X7!	6503376	VERA	225020	650HA516-L	C-R	5473	653432R91	IH	204017
6502171	VERA	1994	6503376	VERA	50X68X8!	65102S	TROS	8974S	65349	DENCO	416706!
6502171	VERA	48X70X9!	65034	C-R	416229	65103	SHOV	416144	6534EL	SUL	417487
6502197	VERA	227040	65035	C-R	416229	65103S	TROS	8975S	65350	DENCO	415045!
6502197	VERA	70X90X10!	6503574	VERA	225005	65105	SHOV	455197N	65360S	TROS	7687S
65022	VIC	9845	6503574	VERA	50X62X7!	65111U	TRISL	370047A	653632R91	IH	205017
6502270	VERA	2001	65036	C-R	416229*	65118	ALLCH	471689!	65380	VIC	471763
6502270	VERA	60X82X12!	65037	C-R	416229*	651193R91	IH	204038	65382	VIC	340356*
6502296	VERA	2001	6503731	VERA	225020	65120	AT SU	9406S	6538LA	JN-MN	416154!
6502296	VERA	60X82X12!	6503731	VERA	50X68X8!	65121S	TROS	9339S	6538LPD	JN-MN	416154!
6502346	VERA	471785!	6503749	VERA	1945	651246	ALLCH	451583!	654	C-R	5M867
6502361	VERA	227040	6503749	VERA	228480	65126	VIC	470954!	65402S	TROS	411330!
6502361	VERA	70X90X10!	65038	C-R	416229	651266	WHITE	473205	65408AC91	IH	410524
65025	C-R	416229	65039	HYST	471765!	651299	ALLCH	415483	6541	C-R	481537
6502502	VERA	1174	6504	ALOY	9406S	6513499	CLARK	472409!	65418C1	IH	471765!
6502502	VERA	38X52X8.5!	6504	HYST	415458!	6515000	CLARK	40301S	65441D	IH	471649!
6502528	VERA	1174	6504001	VERA	1213N	65152U	TRISL	370023A	65446	VIC	323138!*
6502528	VERA	38X52X8.5!	6504118	VERA	1180	65165U	TRISL	370005A	654674R91	IH	200885
6502569	VERA	1012	6504118	VERA	41X55X7!	65170	VIC	471787!	654686	GMC	370012A
6502569	VERA	1012N	6504126	VERA	1994	651725	CHRY	5797	654687	GMC	370021A
6502569	VERA	45X62X8!	6504126	VERA	48X70X9!	65172U	TRISL	370021A	6546LA	JN-MN	417349
6502577	VERA	224045	6504159	VERA	1180	65179R91	IH	415697!	6547	SHEP	473229
6502577	VERA	40X62X12!	6504159	VERA	41X55X7!	65179R91	IH	455547	6547LA	JN-MN	415034!
650255F	VIC	710163	650426	C-R	455614	65184U	TRISL	370019A	6548	SHEP	472397!
65026	C-R	416229*	6505	C-R	417541	6519	ALOY	9449	654805	ALLCH	417355!
6502643	VERA	224045	65051	VIC	1041	6519	SPG	410708	6548LA	JN-MN	471835!
6502643	VERA	40X62X12!	650510	C-R	417550	65191	VIC	340413	6550	C-R	481537
6502668	VERA	224045	650512	C-R	455576!	65193	VIC	471267!	65501S	TROS	9449
6502668	VERA	40X62X12!	650516	C-R	417254	65201S	TROS	8835S	65512	DURA	7994S
6502676	VERA	224045	65054	C-R	417547	65202	TROS	8940S	65520S	TROS	470687
6502676	VERA	40X62X12!	65055	EATON	415483	6521	ALOY	8940S	6554	C-R	481073
65027	TRISL	370106A	65056T8	C-R	417548	6521	C-R	481528	65546	VIC	323138!*
65027U	TRISL	370106A	65056U	TRISL	370003A	652255R91	IH	204017	65549AX	OSHKO	417082
6502825	VERA	1188	65056W+67094J	TRISL	370003A	65242	VIC	240414*	65549HX	OSHKO	417082
6502825	VERA	224820	65058	C-R	415645!	65245	VIC	471224!	6555	C-R	481073
6502825	VERA	48X62X8!	65058	C-R	455104	6525	ALOY	473179	655512	CONCA	415991
6502833	VERA	1955	65058	CABOT	415645!	6525007	GMC	474278* =	655512	CONCA	455146!
6502833	VERA	52X65X9!	65058	CABOT	455104	6526	C-R	481528	6556	C-R	481073
6502866	VERA	225010	65058	FAIRB	415645!	65261U	TRISL	370036A	655619	ALLCH	471192=
6502866	VERA	50X65X8!	65058	FAIRB	455104	65261U	TRISL	370349A	65566	AM WH	471391!
6502874	VERA	225110	65058	GR-DV	415645!	65261W+67013J	TRISL	370036A	6558693	CLARK	J1122
6502874	VERA	51X65X7!	65058	GR-DV	455104	65261W+67013J	TRISL	370349A	65589	WAUKE	415025
6502916	VERA	1012	65058K	CHRY	415645!	65261W+67013J	TRISL	380036A	6558963	CLARK	J1122
6502916	VERA	1012N	65058K	CHRY	455104	65262U	TRISL	370065A	6558R	JN-MN	473227
6502932	VERA	225005	65058M1	C-R	415645!	65262W+67023J	TRISL	370065A	6559R	JN-MN	471820*
6502932	VERA	50X62X7!	65058M1	C-R	455104	65262W+67023J	TRISL	380065A	6560	C-R	481073*
6502940	VERA	226285	6505Q6	C-R	417541	65263	TROS	6638S	65600D	IH	417539!

! Industrial Size/Type * Minor Width Difference

= The U.S. customer service number is 877-4-TIMKEN. The Canadian customer service numbers are 800-565-4927 (English) and 800-565-0438 (French-Canadian).

NUMERICAL INTERCHANGE

Mfr. No.	Name	Zero Duplication or Recommended Industrial	Mfr. No.	Name	Zero Duplication or Recommended Industrial	Mfr. No.	Name	Zero Duplication or Recommended Industrial	Mfr. No.	Name	Zero Duplication or Recommended Industrial
65601S	TROS	3945	65901	FWD	471224!	659606	CLARK	415027	65X1115	GARLK	472319
6561	C-R	481073*	659010	EATON	J1130	659606	CLARK	415027!	65X1116	GARLK	472319
656115	Y-T	471466!	659010	Y-T	J1130	65961	TROS	412725	65X1117	GARLK	473459
65628	CINMI	470682	65902	FWD	416271!	65963	FWD	412040	65X1118	GARLK	473459
6564	C-R	481073	65904	FWD	472164!	65964	FWD	471272!	65X1119	GARLK	473459
65646	VIC	40183S!	65905	FWD	471870!	65966	FWD	473450	65X112	GARLK	471538!
6564S	SPG	415449!	65906	FWD	472572!	659675	CLARK	471689!	65X1120	GARLK	473241
656520	GMC	474276	65907	FWD	470898!	659675R91	IH	414045!	65X1121	GARLK	473241
65682	OLIVE	450341	65908	FWD	50191	65970	FWD	323138!	65X1122	GARLK	473241
65698R91	IH	455008	65908F	DIA	5406	65971	FWD	418028	65X1125	GARLK	450279
656W228-L	C-R	5403	65910	FWD	473475	65971	FWD	455137!	65X1129	GARLK	472144!
6570	ACF	415035	659107R91	IH	471192	659710R91	IH	412119!	65X1123	GARLK	471553!
6570	ACF	415035!	659108R91	IH	473229	65972	FWD	417349	65X1130	GARLK	472144!
6570	C-R	240023	659109R91	IH	471785!	65973	FWD	55030	65X1131	GARLK	472144!*
6570	HYST	415035	65911	FWD	450313	65977	AM WH	417171!	65X1132	GARLK	473460
6570	HYST	415035!	659110R91	IH	412473!	65982	FWD	417316!	65X1133	GARLK	473460
6570LPD	JN-MN	471558	659111R91	IH	471141!	65982	JOHND	417316!	65X1134	GARLK	473460
657206	ALLCH	472924!	659112R91	IH	470682	65983	FWD	416149	65X1135	GARLK	472394*
6573S	SPG	416888!	659113R91	IH	471424!	65983R91	IH	330385!	65X1136	GARLK	472394*
657516R91	IH	471141!	659114R91	IH	473229	65986	FWD	415303!	65X1137	GARLK	472394
657605	CLARK	413469!	659115R91	IH	471466!	65990	FWD	470898!	65X1138	GARLK	473461!*
657606	CLARK	417073	659116R91	IH	471785!	659900R91	IH	455480!	65X1139	GARLK	473461!*
657607	CLARK	411253!	659118R91	IH	471141!	659909R91	IH	417604	65X114	GARLK	471553!
657608	CLARK	410102	659124R91	IH	471192	65992	FWD	412119!	65X1140	GARLK	473461!
657609	CLARK	470682	659125R91	IH	416956	65993	FWD	472070	65X1141	GARLK	471391!*
657610	CLARK	472636!	65913	FWD	411253!	65994	FWD	481864	65X1142	GARLK	471391!*
657611	CLARK	473447	65914	FWD	411376!	65995	FWD	416865!	65X1143	GARLK	471391!
657612	CLARK	417498	65914	OLIVE	411376!	65996	FWD	481864	65X1147	GARLK	473462
657613	CLARK	415449!	65916	FWD	415984!	65998	FWD	471649!	65X1148	GARLK	473462
657614	CLARK	415995!	65917	FWD	418028	65W1	WHITE	412473!	65X1149	GARLK	473462
657615	CLARK	476470	65917	FWD	455137!	65X100	GARLK	481537	65X115	GARLK	471579
657616	CLARK	473242	65918	FWD	415991	65X1003	GARLK	451993=	65X1150	GARLK	450472!*
657617	CLARK	473245!	65918	FWD	455146!	65X1004	GARLK	451993=	65X1151	GARLK	450472!*
65762	CLARK	450497=	65919	FWD	415991	65X1005	GARLK	451993=	65X1152	GARLK	450472!
657621	CLARK	415960!	65919	FWD	455146!	65X100X10SC	TRSCM	65X100X10	65X1156	GARLK	471579*
657622	CLARK	415007	65920	FWD	415379	65X100X10TC	TRSCM	65X100X10	65X1162	GARLK	450474*
657623	CLARK	472179	65920	FWD	415379!	65X100X7	ISP	65X100X7*	65X1163	GARLK	450474*
657624	CLARK	416891!	65921	FWD	415023	65X1042	GARLK	472439*	65X1164	GARLK	450474*
657625	CLARK	412119!	65921	OLIVE	415023	65X1043	GARLK	472439*	65X1165	GARLK	50528*
657627	CLARK	450497=	65922	FWD	416339	65X1044	GARLK	472439	65X1166	GARLK	50528*
657628	CLARK	456105	65922	FWD	455031!	65X1045	GARLK	471868	65X1167	GARLK	50528
657629	CLARK	471272!	65923	FWD	415150!	65X1047	GARLK	471868	65X1186	GARLK	471870!
657630	CLARK	415991	65924	FWD	472157!	65X1048	GARLK	472572!	65X1187	GARLK	471870!
657630	CLARK	455146!	65924	FWD	472157	65X1049	GARLK	472572!	65X1188	GARLK	471870!
657810	GMC	417506	65925	FWD	415263	65X1050	GARLK	472572!	65X1189	GARLK	472492!
657811	GMC	417505	659258	WHITE	473226	65X1051	GARLK	473179!	65X1190	GARLK	472492!
657812	GMC	370019A	65926	FWD	416125!	65X1052	GARLK	473179!	65X1191	GARLK	472492!
657813	GMC	370021A	65926	OLIVE	254270	65X1053	GARLK	473179!	65X1198	GARLK	472924!
657814	GMC	370005A	65927	FWD	415725!	65X1054	GARLK	414045!*	65X1199	GARLK	472924!
657815	GMC	370007A	65928	FWD	50405	65X1055	GARLK	414045!*	65X1200	GARLK	472924!
6580	C-R	481397*	65930	FWD	417344!	65X1056	GARLK	414045!*	65X1201	GARLK	470530!
658008A	HARWA	65X80X8	65931	FWD	472234	65X1057	GARLK	473238	65X1202	GARLK	470530!
6580AS	HERCU	470712	65933	FWD	415027	65X1058	GARLK	473238	65X1203	GARLK	470530!
658114	ALLCH	415449	65933	FWD	415027!	65X1059	GARLK	473238!	65X1204	GARLK	472397!
658137R91	IH	416956	65934	FWD	417191	65X1060	GARLK	450084!	65X1205	GARLK	472397!
6582LA	JN-MN	417512	65934	FWD	455165!	65X1062	GARLK	450084!	65X1206	GARLK	472397!
6582LUP	JN-MN	417512	65940	FWD	411394!	65X1063	GARLK	473239	65X1207	GARLK	473463*
6584	ALOY	473234	65941	FWD	412040	65X1064	GARLK	473239	65X1208	GARLK	473463
6584	ALOY	7300S	65942	FWD	415302	65X1065	GARLK	473239	65X1209	GARLK	473463
6585	ALOY	2043	65943	FWD	455005	65X1066	GARLK	473457!*	65X1210	GARLK	470506!
6585R	JN-MN	417546!	65944	FWD	476470	65X1067	GARLK	473457!*	65X1211	GARLK	473242*
658650R91	IH	471424!	65946	FWD	415045!	65X1068	GARLK	473457!	65X1212	GARLK	473242*
658651R91	IH	470682	65948	FWD	416706!	65X1069	GARLK	473240!*	65X1212	GARLK	473242
658745	CLARK	415254	65948	OLIVE	416706!	65X1070	GARLK	473240!*	65X1216	GARLK	473464!
6588	ALOY	8139	65950	FWD	415234!	65X1071	GARLK	473240!	65X1216	GARLK	473464
6588LA	JN-MN	417269!	65952	FWD	473467!	65X1075	GARLK	473458!*	65X1217	GARLK	473464!
658942	ALLCH	476470!	65953	FWD	481163!	65X1076	GARLK	473458!*	65X1217	GARLK	473464
6589428	ALLCH	476470!	65955	FWD	455203	65X1077	GARLK	473458!*	65X1218	GARLK	473464!
6589428	ALLCH	476470	65955	OLIVE	455203	65X109	GARLK	471529	65X1218	GARLK	473464
659008	EATON	J1115	65958	FWD	473467!	65X110	GARLK	471529	65X122	GARLK	470506!
659009	EATON	J1124	65959	FWD	455249!	65X111	GARLK	471538!*	65X124	GARLK	50026*
659009	Y-T	J1124	6596	ALOY	1192	65X1114	GARLK	472319	65X1252	GARLK	451948

! Industrial Size/Type * Minor Width Difference

= The U.S. customer service number is 877-4-TIMKEN. The Canadian customer service numbers are 800-565-4927 (English) and 800-565-0438 (French-Canadian).

Mfr. No.	Name	Zero Duplication or Recommended Industrial	Mfr. No.	Name	Zero Duplication or Recommended Industrial	Mfr. No.	Name	Zero Duplication or Recommended Industrial	Mfr. No.	Name	Zero Duplication or Recommended Industrial
65X1253	GARLK	451948	65X1415	GARLK	470354	65X1589	GARLK	455647 =	65X1812	GARLK	410496!
65X1254	GARLK	451948*	65X1416	GARLK	470354*	65X1590	GARLK	455647 =	65X1813	GARLK	470605!*
65X1255	GARLK	473466	65X142	GARLK	471554!	65X1594	GARLK	455321*	65X1815	GARLK	470605!*
65X1257	GARLK	473466	65X1420	GARLK	473245!*	65X1595	GARLK	455321*	65X1819	GARLK	415449!
65X1258	GARLK	472012*	65X1421	GARLK	473245!*	65X1596	GARLK	455321	65X1820	GARLK	415449!
65X1259	GARLK	472012*	65X1422	GARLK	471504!	65X16	GARLK	350156	65X1821	GARLK	415449!
65X1260	GARLK	472012	65X1423	GARLK	412943*	65X16	GARLK	473096	65X1822	GARLK	415001!
65X1261	GARLK	450307*	65X1424	GARLK	412943*	65X1639	GARLK	473474*	65X1823	GARLK	415001!
65X1262	GARLK	450307*	65X1425	GARLK	412943*	65X1640	GARLK	473474*	65X1824	GARLK	415001!
65X1263	GARLK	450307	65X1426	GARLK	413472	65X1641	GARLK	473474	65X1825	GARLK	416273!
65X1264	GARLK	450311*	65X1428	GARLK	413472	65X1642	GARLK	470565!	65X1826	GARLK	416273!
65X1265	GARLK	450311*	65X143	GARLK	417567!	65X1643	GARLK	470565!	65X1827	GARLK	416273!
65X1266	GARLK	450311	65X1432	GARLK	416268	65X1644	GARLK	470565!	65X1828	GARLK	455079!*
65X1270	GARLK	416738!	65X1434	GARLK	416268	65X1648	GARLK	473475*	65X1829	GARLK	455079!*
65X1270	GARLK	450096	65X144	GARLK	471567!	65X1649	GARLK	473475	65X1830	GARLK	455079!
65X1271	GARLK	416738!	65X145	GARLK	471498*	65X1650	GARLK	473475*	65X1831	GARLK	415082
65X1271	GARLK	450096	65X146	GARLK	471498	65X1654	GARLK	413246	65X1832	GARLK	415082*
65X1272	GARLK	416738!	65X147	GARLK	471643!	65X1655	GARLK	413246	65X1833	GARLK	415082*
65X1272	GARLK	450096	65X1471	GARLK	471341!	65X1656	GARLK	413246	65X1834	GARLK	455655!*
65X1276	GARLK	450313	65X1472	GARLK	471341!	65X1657	GARLK	412119!	65X1835	GARLK	455655!*
65X1278	GARLK	450313	65X1473	GARLK	471341!	65X1658	GARLK	412119!	65X1836	GARLK	455655!*
65X1279	GARLK	450532	65X1474	GARLK	471272!	65X1659	GARLK	412119!	65X1927	GARLK	412871!
65X1280	GARLK	450532*	65X1475	GARLK	471272!	65X1660	GARLK	413247!	65X1930	GARLK	412871!
65X1281	GARLK	450532*	65X1476	GARLK	471272!	65X1661	GARLK	413247!	65X1931	GARLK	412871!
65X13	GARLK	330385!	65X1477	GARLK	473473*	65X1662	GARLK	413247!	65X1932	GARLK	412871!
65X1321	GARLK	470898	65X1478	GARLK	473473	65X1663	GARLK	410987!	65X1933	GARLK	413248
65X1322	GARLK	470898	65X1479	GARLK	473473	65X1664	GARLK	410987!	65X1934	GARLK	413248
65X1323	GARLK	470898	65X1480	GARLK	471138!	65X1665	GARLK	410987!	65X1935	GARLK	413248
65X1324	GARLK	473467	65X1481	GARLK	471138!	65X1666	GARLK	416271!*	65X1936	GARLK	450412*
65X1326	GARLK	473467	65X1482	GARLK	471138!	65X1667	GARLK	416271!*	65X1937	GARLK	450412*
65X1327	GARLK	472015!	65X1486	GARLK	410737!	65X1668	GARLK	416271!*	65X1938	GARLK	450412
65X1328	GARLK	472015!	65X1487	GARLK	410737!	65X1672	GARLK	410825	65X1939	GARLK	415483!
65X1329	GARLK	472015!	65X1488	GARLK	410737!	65X1673	GARLK	410825	65X1940	GARLK	415483!
65X1330	GARLK	410308!	65X1492	GARLK	472636!	65X1674	GARLK	410825*	65X1941	GARLK	415483!
65X1331	GARLK	410308!	65X1493	GARLK	472636!	65X1675	GARLK	416071*	65X1945	GARLK	415458!
65X1332	GARLK	410308!	65X1494	GARLK	472636!	65X1676	GARLK	416071*	65X1946	GARLK	415458!
65X1333	GARLK	472016*	65X1495	GARLK	411253!	65X1677	GARLK	416071	65X1947	GARLK	415458!
65X1334	GARLK	472016*	65X1496	GARLK	411253!	65X1678	GARLK	417480!	65X1948	GARLK	417343!*
65X1335	GARLK	472016	65X1497	GARLK	411253!	65X1679	GARLK	417480!	65X1949	GARLK	417343!*
65X1339	GARLK	472409!	65X1498	GARLK	412920!	65X1680	GARLK	417480!	65X195	GARLK	473414*
65X1340	GARLK	472409!	65X1499	GARLK	412920!	65X17	GARLK	471103!	65X1950	GARLK	417343!
65X1341	GARLK	472409!	65X15	GARLK	350156	65X1723	GARLK	471887*	65X1951	GARLK	415007*
65X1345	GARLK	473243	65X15	GARLK	473096	65X1724	GARLK	471887*	65X1952	GARLK	415007*
65X1346	GARLK	473243	65X150	GARLK	471684!	65X1725	GARLK	471887	65X1953	GARLK	415007*
65X1347	GARLK	473243	65X1500	GARLK	412920!	65X1735	GARLK	412040*	65X1954	GARLK	417082*
65X1348	GARLK	413469!*	65X1501	GARLK	455136*	65X1736	GARLK	412040*	65X1955	GARLK	417082*
65X1349	GARLK	413469!*	65X1502	GARLK	455136*	65X1737	GARLK	412040	65X1956	GARLK	417082*
65X1350	GARLK	413469!*	65X1503	GARLK	455136	65X1738	GARLK	411500*	65X196	GARLK	473414*
65X1357	GARLK	416267!*	65X1504	GARLK	411376!	65X1739	GARLK	411500*	65X199	GARLK	473414*
65X1358	GARLK	416267!*	65X1505	GARLK	411376!	65X1740	GARLK	411500*	65X1993	GARLK	455434*
65X1359	GARLK	416267!	65X1506	GARLK	411376!	65X1741	GARLK	413478*	65X1994	GARLK	455434*
65X1368	GARLK	473214	65X151	GARLK	450033*	65X1742	GARLK	413478*	65X1995	GARLK	455434
65X1378	GARLK	450621*	65X152	GARLK	450033	65X1743	GARLK	413478*	65X200	GARLK	473414*
65X1379	GARLK	450621	65X153	GARLK	470390*	65X1744	GARLK	450104*	65X2002	GARLK	455151
65X1380	GARLK	450621*	65X154	GARLK	470390	65X1745	GARLK	450104*	65X2003	GARLK	455151*
65X1384	GARLK	450869*	65X155	GARLK	473407*	65X1746	GARLK	450104	65X2004	GARLK	455151
65X1385	GARLK	450869*	65X156	GARLK	473407	65X1747	GARLK	411245!	65X2005	GARLK	455008*
65X1386	GARLK	450869*	65X1561	GARLK	472150*	65X1748	GARLK	411245!	65X2006	GARLK	455008*
65X1399	GARLK	473244	65X1562	GARLK	472150*	65X1749	GARLK	411245!	65X2007	GARLK	455008*
65X14	GARLK	330385!	65X1563	GARLK	472150	65X1750	GARLK	417073*	65X203	GARLK	473415*
65X1400	GARLK	473244	65X1573	GARLK	411394!	65X1751	GARLK	417073*	65X2032	GARLK	480491*
65X1401	GARLK	473244	65X1574	GARLK	411394!	65X1752	GARLK	417073	65X2033	GARLK	480491*
65X1402	GARLK	472018	65X1575	GARLK	411394!	65X1774	GARLK	50560*	65X2034	GARLK	480491
65X1403	GARLK	472018	65X1576	GARLK	410694!*	65X18	GARLK	471103!	65X2035	GARLK	416664!
65X1404	GARLK	472018*	65X1577	GARLK	410694!*	65X1801	GARLK	472029*	65X2036	GARLK	416664!
65X1405	GARLK	473471*	65X1578	GARLK	410694!*	65X1802	GARLK	472029*	65X2037	GARLK	416664!
65X1406	GARLK	473471*	65X1580	GARLK	450133*	65X1803	GARLK	472029*	65X2038	GARLK	417484!
65X1407	GARLK	473471*	65X1581	GARLK	450133*	65X1807	GARLK	471271!	65X2039	GARLK	417484!
65X1408	GARLK	472020*	65X1585	GARLK	416444*	65X1808	GARLK	471271!	65X204	GARLK	473415
65X1409	GARLK	472020*	65X1586	GARLK	416444*	65X1809	GARLK	471271!	65X2040	GARLK	417484!
65X1410	GARLK	472020*	65X1587	GARLK	416444	65X1810	GARLK	410496!	65X2041	GARLK	415984!*
65X1414	GARLK	470354*	65X1588	GARLK	455647 =	65X1811	GARLK	410496!	65X2042	GARLK	415984!*

! Industrial Size/Type * Minor Width Difference

= The U.S. customer service number is 877-4-TIMKEN. The Canadian customer service numbers are 800-565-4927 (English) and 800-565-0438 (French-Canadian).

NUMERICAL INTERCHANGE

Mfr. No.	Name	Zero Duplication or Recommended Industrial	Mfr. No.	Name	Zero Duplication or Recommended Industrial	Mfr. No.	Name	Zero Duplication or Recommended Industrial	Mfr. No.	Name	Zero Duplication or Recommended Industrial
65X2043	GARLK	415984!*	65X2255	GARLK	455336*	65X2426	GARLK	416125!	65X2642	GARLK	417514*
65X2044	GARLK	417316!	65X2257	GARLK	455336*	65X2432	GARLK	417499	65X2648	GARLK	417515*
65X2045	GARLK	417316!	65X226	GARLK	471730	65X2435	GARLK	415832	65X2654	GARLK	417516*
65X2046	GARLK	417316!	65X2260	GARLK	6358	65X2441	GARLK	417501*	65X2657	GARLK	472157
65X2047	GARLK	415960	65X2261	GARLK	417490	65X2447	GARLK	55030*	65X2657	GARLK	472157!
65X2048	GARLK	415960	65X2267	GARLK	455022*	65X2450	GARLK	55646=	65X2659	GARLK	416556!
65X2049	GARLK	415960	65X2270	GARLK	476470	65X2453	GARLK	416670*	65X2659	GARLK	472157
65X2050	GARLK	416706!	65X2271	GARLK	476470	65X2459	GARLK	417502*	65X2660	GARLK	415196!
65X2051	GARLK	416706!	65X2272	GARLK	476470	65X2462	GARLK	415379	65X2663	GARLK	416891!
65X2052	GARLK	416706!	65X2273	GARLK	417181!	65X2462	GARLK	415379!	65X2664	GARLK	416891!
65X2115	GARLK	415303!*	65X2276	GARLK	418028	65X2464	GARLK	415379	65X2666	GARLK	416135!
65X2117	GARLK	415303!*	65X2276	GARLK	455137!	65X2464	GARLK	415379!	65X2669	GARLK	415045!*
65X2118	GARLK	417344!	65X2278	GARLK	418028	65X2465	GARLK	417205!	65X2671	GARLK	415045!*
65X2119	GARLK	417344!	65X2278	GARLK	455137!	65X2468	GARLK	416339	65X2675	GARLK	416137*
65X2120	GARLK	417344!	65X2279	GARLK	417353!	65X2470	GARLK	416339*	65X2678	GARLK	417518*
65X2121	GARLK	417158!	65X2282	GARLK	456305	65X2474	GARLK	415150!*	65X2681	GARLK	415058*
65X2122	GARLK	417158!	65X2284	GARLK	456305	65X2476	GARLK	415150!*	65X2684	GARLK	456141
65X2123	GARLK	417158!	65X2288	GARLK	415023	65X2477	GARLK	416127	65X2687	GARLK	455197N*
65X2124	GARLK	416921!	65X229	GARLK	470645*	65X2480	GARLK	417503*	65X2699	GARLK	416144
65X2125	GARLK	416921!	65X2294	GARLK	455328*	65X2501	GARLK	417211!	65X2705	GARLK	417238
65X2126	GARLK	416921!	65X230	GARLK	470645	65X2504	GARLK	416345!	65X2711	GARLK	415196!*
65X213	GARLK	471267!	65X2300	GARLK	415085!	65X2507	GARLK	415697!	65X2712	GARLK	415196!
65X214	GARLK	450398	65X2300	GARLK	456648	65X2507	GARLK	455547	65X2717	GARLK	415047*
65X214	GARLK	471267!	65X2312	GARLK	455024	65X251	GARLK	471571	65X2723	GARLK	416149*
65X2146	GARLK	416956*	65X2321	GARLK	412473!	65X2510	GARLK	417366!*	65X2729	GARLK	415060*
65X2147	GARLK	416956*	65X2323	GARLK	412473!	65X2513	GARLK	415958	65X2729	GARLK	455060*
65X2148	GARLK	416956	65X2324	GARLK	417191	65X2513	GARLK	415958!	65X2732	GARLK	55199* =
65X2149	GARLK	417159*	65X2324	GARLK	455165!	65X2516	GARLK	417505	65X2733	GARLK	55199=
65X215	GARLK	471570!	65X2325	GARLK	417191	65X2519	GARLK	476470!	65X2738	GARLK	417525*
65X2150	GARLK	417159*	65X2325	GARLK	455165!	65X2519	GARLK	476470	65X2740	GARLK	417525*
65X2151	GARLK	417159*	65X2326	GARLK	417191	65X252	GARLK	471571*	65X2744	GARLK	417520*
65X2152	GARLK	416654!	65X2326	GARLK	455165!	65X2521	GARLK	476470!	65X2750	GARLK	415351!*
65X2153	GARLK	416654!	65X2327	GARLK	417354!*	65X2521	GARLK	476470	65X2753	GARLK	416888!
65X2154	GARLK	416654!	65X2329	GARLK	417354!*	65X2525	GARLK	455191*	65X2753	GARLK	416888!
65X2155	GARLK	417486*	65X2330	GARLK	416321	65X2527	GARLK	455191*	65X2756	GARLK	416888!
65X2156	GARLK	417486*	65X2336	GARLK	415025*	65X2528	GARLK	415263	65X2756	GARLK	416153!
65X216	GARLK	471570!*	65X2342	GARLK	416327	65X2531	GARLK	417506*	65X2759	GARLK	416892!
65X2168	GARLK	417349*	65X2345	GARLK	417492*	65X2537	GARLK	415035	65X2760	GARLK	416892!
65X2169	GARLK	417349*	65X2348	GARLK	417493*	65X2539	GARLK	415035	65X2761	GARLK	416892!
65X217	GARLK	471633!*	65X2354	GARLK	417494*	65X2540	GARLK	417356!	65X2762	GARLK	417531*
65X2170	GARLK	417349*	65X2356	GARLK	417494	65X2540	GARLK	455188	65X2765	GARLK	416154!*
65X2171	GARLK	417350!	65X2357	GARLK	455026*	65X2541	GARLK	417356!	65X2766	GARLK	416154!*
65X2172	GARLK	417350!	65X2363	GARLK	455471*	65X2541	GARLK	455188	65X2767	GARLK	416154!
65X2173	GARLK	417350!	65X2365	GARLK	455471*	65X2543	GARLK	417357	65X2768	GARLK	416070*
65X2174	GARLK	415995!	65X2366	GARLK	415991	65X2543	GARLK	455192!	65X2771	GARLK	415351!
65X2175	GARLK	415995!	65X2366	GARLK	455146!	65X2544	GARLK	417357	65X2774	GARLK	417532*
65X2176	GARLK	415995!	65X2367	GARLK	415991	65X2544	GARLK	455192!	65X2780	GARLK	417533*
65X2177	GARLK	417351!	65X2367	GARLK	455146!	65X2546	GARLK	416130!	65X2786	GARLK	417534*
65X2178	GARLK	417351!	65X2368	GARLK	415991	65X2549	GARLK	415036*	65X2792	GARLK	457585*
65X218	GARLK	471633!	65X2368	GARLK	455146!	65X255	GARLK	471647*	65X2801	GARLK	415371
65X2180	GARLK	471487!	65X2369	GARLK	417196!*	65X2550	GARLK	415036	65X2804	GARLK	455685*
65X2180	GARLK	417487	65X2371	GARLK	417196!	65X2552	GARLK	417507	65X2807	GARLK	416158*
65X2182	GARLK	417487	65X2372	GARLK	415437	65X2552	GARLK	417507!	65X2809	GARLK	416158
65X2183	GARLK	417488!	65X2374	GARLK	415437	65X2555	GARLK	415041*	65X2813	GARLK	415064*
65X219	GARLK	471646!	65X2374	GARLK	415437	65X2556	GARLK	415041	65X2837	GARLK	415138!*
65X220	GARLK	471646!	65X2375	GARLK	415437!	65X256	GARLK	471647*	65X2838	GARLK	415138!
65X221	GARLK	470590*	65X2375	GARLK	415437	65X2561	GARLK	417509*	65X2839	GARLK	415138!
65X222	GARLK	470590	65X2378	GARLK	415027	65X2567	GARLK	417223*	65X2840	GARLK	417538*
65X2225	GARLK	417621!	65X2380	GARLK	415027	65X2568	GARLK	417223	65X2843	GARLK	417247!
65X2226	GARLK	417621!	65X2381	GARLK	417495*	65X2569	GARLK	417223*	65X2845	GARLK	417247!
65X2228	GARLK	416288!	65X2384	GARLK	415559*	65X2573	GARLK	55193* =	65X2846	GARLK	417252*
65X223	GARLK	471137*	65X2386	GARLK	415559	65X2579	GARLK	455037*	65X2849	GARLK	415066*
65X2231	GARLK	417171!	65X2390	GARLK	417496*	65X2600	GARLK	417511*	65X2873	GARLK	416167!
65X2234	GARLK	417172*	65X2392	GARLK	417496*	65X2603	GARLK	415142*	65X2875	GARLK	416167!
65X2236	GARLK	417172*	65X2393	GARLK	415711*	65X2605	GARLK	415142*	65X2876	GARLK	417267*
65X2237	GARLK	416297*	65X2396	GARLK	417497*	65X2609	GARLK	417512*	65X2879	GARLK	417269!
65X224	GARLK	471137	65X2399	GARLK	417498*	65X2610	GARLK	417512	65X2881	GARLK	417269!
65X2246	GARLK	415021	65X2402	GARLK	55028*	65X2615	GARLK	415043*	65X2894	GARLK	417539!*
65X2249	GARLK	456105*	65X2417	GARLK	416332!	65X2621	GARLK	455203*	65X2900	GARLK	417273*
65X225	GARLK	471730*	65X2419	GARLK	416332!	65X2627	GARLK	455056*	65X2901	GARLK	417273
65X2252	GARLK	417490*	65X2420	GARLK	415937!	65X2630	GARLK	455194*	65X2903	GARLK	417540*
65X2254	GARLK	417490	65X2423	GARLK	417355!	65X2636	GARLK	417513*	65X2915	GARLK	415725!

! Industrial Size/Type * Minor Width Difference

= The U.S. customer service number is 877-4-TIMKEN. The Canadian customer service numbers are 800-565-4927 (English) and 800-565-0438 (French-Canadian).

Mfr. No.	Name	Zero Duplication or Recommended Industrial	Mfr. No.	Name	Zero Duplication or Recommended Industrial	Mfr. No.	Name	Zero Duplication or Recommended Industrial	Mfr. No.	Name	Zero Duplication or Recommended Industrial
65X2917	GARLK	415725!	65X3444	GARLK	417298*	65X431	GARLK	471787!	65X601	GARLK	474264
65X2918	GARLK	417584*	65X3445	GARLK	417298	65X433	GARLK	450177*	65X602	GARLK	474264
65X2921	GARLK	416865!	65X3460	GARLK	415327*	65X434	GARLK	450177*	65X603	GARLK	474264
65X2922	GARLK	416865!	65X3464	GARLK	417596*	65X435	GARLK	450177*	65X607	GARLK	473226*
65X2923	GARLK	416865!	65X3474	GARLK	455948	65X436	GARLK	471795	65X608	GARLK	473226*
65X2924	GARLK	417278	65X3482	GARLK	455584*	65X437	GARLK	471795	65X609	GARLK	473226
65X2926	GARLK	417278	65X3483	GARLK	455584	65X438	GARLK	471795	65X628	GARLK	473419!
65X2927	GARLK	417541	65X3492	GARLK	416364!	65X439	GARLK	450165	65X643	GARLK	470625!
65X2929	GARLK	417541	65X3496	GARLK	417597*	65X439	GARLK	471801!	65X644	GARLK	470625!
65X2933	GARLK	417542*	65X35	GARLK	472810!	65X44	GARLK	320457	65X645	GARLK	470625!
65X2936	GARLK	417543*	65X3501	GARLK	416239!	65X440	GARLK	450165	65X646	GARLK	470059
65X2951	GARLK	417545*	65X3504	GARLK	417564*	65X440	GARLK	471801!	65X648	GARLK	470380!
65X2993	GARLK	417258*	65X351	GARLK	471652	65X441	GARLK	450165	65X647	GARLK	470059
65X2996	GARLK	417546!*	65X3518	GARLK	416044	65X441	GARLK	471801!	65X647	GARLK	470380!
65X2998	GARLK	417546!	65X352	GARLK	471652	65X442	GARLK	471808!*	65X648	GARLK	470059
65X2999	GARLK	417547*	65X3526	GARLK	415116*	65X443	GARLK	471808!*	65X648	GARLK	470380!
65X3001	GARLK	417547	65X3527	GARLK	415116	65X444	GARLK	471808!	65X649	GARLK	471820*
65X3032	GARLK	417548*	65X353	GARLK	471692!	65X445	GARLK	471818*	65X650	GARLK	471820*
65X3059	GARLK	417262!	65X354	GARLK	471692!	65X446	GARLK	471818*	65X651	GARLK	471820*
65X3065	GARLK	415645!	65X355	GARLK	476838!	65X447	GARLK	471818*	65X655	GARLK	473228
65X3065	GARLK	455104	65X356	GARLK	476838!	65X448	GARLK	470050*	65X656	GARLK	473228
65X3067	GARLK	415645!	65X357	GARLK	470712!	65X449	GARLK	470050	65X657	GARLK	473228
65X3067	GARLK	455104	65X358	GARLK	470712!	65X45	GARLK	470004!	65X658	GARLK	451857*
65X3071	GARLK	417549!*	65X359	GARLK	471763*	65X450	GARLK	470050*	65X659	GARLK	451857*
65X3122	GARLK	417551*	65X36	GARLK	472810!	65X451	GARLK	473424!*	65X660	GARLK	451857
65X3125	GARLK	455576!	65X360	GARLK	471763	65X452	GARLK	473424!	65X661	GARLK	470487!
65X3128	GARLK	415938*	65X361	GARLK	471785!	65X4584	GARLK	473197	65X663	GARLK	470487!
65X3130	GARLK	415938	65X362	GARLK	471785!	65X46	GARLK	470004!	65X664	GARLK	473440!*
65X3131	GARLK	417554!*	65X363	GARLK	471736	65X4677	GARLK	472560N!	65X665	GARLK	473440!*
65X3176	GARLK	417254*	65X364	GARLK	471736	65X49	GARLK	471442!	65X666	GARLK	473440!
65X3179	GARLK	417360	65X365	GARLK	473428*	65X50	GARLK	471442!	65X67	GARLK	471281!
65X3182	GARLK	416107!	65X366	GARLK	473428	65X51	GARLK	471526!	65X68	GARLK	471281!
65X3184	GARLK	416107!	65X367	GARLK	471764!	65X53	GARLK	471472!	65X69	GARLK	471535!*
65X3184	GARLK	455073	65X368	GARLK	471764!	65X535	GARLK	470774!	65X70	GARLK	471535!
65X3185	GARLK	417361	65X369	GARLK	473427*	65X536	GARLK	470774!	65X700	GARLK	472213
65X323	GARLK	471651	65X370	GARLK	473427	65X537	GARLK	470774!	65X701	GARLK	472213
65X324	GARLK	471651*	65X374	GARLK	450362*	65X538	GARLK	472287!*	65X702	GARLK	472213
65X325	GARLK	471705!	65X376	GARLK	450362*	65X539	GARLK	472287!*	65X703	GARLK	472299*
65X326	GARLK	471705!	65X377	GARLK	450600=	65X54	GARLK	471472!	65X704	GARLK	472299*
65X327	GARLK	473419	65X378	GARLK	450600=	65X540	GARLK	472287!*	65X705	GARLK	472299
65X3275	GARLK	417362!*	65X379	GARLK	450600=	65X541	GARLK	471192	65X706	GARLK	471821!
65X3278	GARLK	417363	65X383	GARLK	472475*	65X542	GARLK	471192	65X707	GARLK	471821!
65X328	GARLK	473419	65X384	GARLK	472475	65X543	GARLK	471192	65X708	GARLK	471821!
65X3281	GARLK	416666*	65X385	GARLK	473426	65X544	GARLK	473214	65X71	GARLK	471551!
65X3283	GARLK	416666	65X386	GARLK	473426	65X545	GARLK	473214	65X712	GARLK	473229
65X3284	GARLK	417364	65X3863	GARLK	350435	65X546	GARLK	473214	65X713	GARLK	473229
65X329	GARLK	471735*	65X387	GARLK	471765!	65X547	GARLK	473215!*	65X714	GARLK	473229
65X3293	GARLK	416039	65X3872	GARLK	471747!	65X548	GARLK	473215!*	65X715	GARLK	470682*
65X330	GARLK	471735	65X3873	GARLK	471747!	65X549	GARLK	473215!*	65X716	GARLK	470682*
65X331	GARLK	450342	65X3876	GARLK	471425	65X55	GARLK	471549!	65X717	GARLK	470682
65X332	GARLK	450342	65X388	GARLK	471765!	65X550	GARLK	470950!	65X718	GARLK	471316
65X333	GARLK	471762!	65X3880	GARLK	471344*	65X550	GARLK	6241S	65X72	GARLK	471551!
65X334	GARLK	471762!	65X3883	GARLK	473442!*	65X551	GARLK	470950!	65X720	GARLK	471316
65X3347	GARLK	417780*	65X3885	GARLK	470088*	65X551	GARLK	6241S	65X721	GARLK	473441*
65X335	GARLK	473420*	65X389	GARLK	471354!*	65X552	GARLK	470950!	65X722	GARLK	473441*
65X336	GARLK	473420	65X390	GARLK	471354!	65X552	GARLK	6241S	65X723	GARLK	473441
65X3375	GARLK	455330!*	65X3904	GARLK	472234*	65X556	GARLK	471835!	65X724	GARLK	450273
65X3377	GARLK	455330!	65X3905	GARLK	472234*	65X557	GARLK	471835!	65X725	GARLK	450273
65X3384	GARLK	415074	65X3906	GARLK	472234	65X558	GARLK	471835!	65X726	GARLK	450273
65X3394	GARLK	455480!*	65X394	GARLK	473205	65X559	GARLK	472843*	65X732	GARLK	451817
65X3396	GARLK	455480!*	65X395	GARLK	473205	65X56	GARLK	471549!	65X733	GARLK	450065*
65X3398	GARLK	55316*=	65X396	GARLK	473205	65X560	GARLK	472843*	65X734	GARLK	450065*
65X3402	GARLK	417562*	65X397	GARLK	474255	65X561	GARLK	472843	65X735	GARLK	450065*
65X3405	GARLK	417562*	65X398	GARLK	474255	65X592	GARLK	473224!*	65X739	GARLK	482253*
65X3406	GARLK	55692*=	65X399	GARLK	474255	65X593	GARLK	473224!*	65X740	GARLK	482253*
65X3417	GARLK	55242*	65X424	GARLK	471750!	65X594	GARLK	473224!*	65X741	GARLK	482253
65X3421	GARLK	417563*	65X425	GARLK	471750!	65X595	GARLK	473016!*	65X742	GARLK	451469*
65X3423	GARLK	417563	65X426	GARLK	471750!	65X596	GARLK	473016!*	65X743	GARLK	451469*
65X3424	GARLK	417563	65X427	GARLK	471766!	65X597	GARLK	473016!	65X744	GARLK	451469
65X3426	GARLK	415294!	65X428	GARLK	471766!	65X598	GARLK	473225!*	65X751	GARLK	450274
65X3434	GARLK	416229*	65X43	GARLK	320457	65X599	GARLK	473225!*	65X753	GARLK	450274
65X3435	GARLK	416229	65X430	GARLK	471787!	65X600	GARLK	473225!	65X760	GARLK	473231

! Industrial Size/Type * Minor Width Difference

= The U.S. customer service number is 877-4-TIMKEN. The Canadian customer service numbers are 800-565-4927 (English) and 800-565-0438 (French-Canadian).

NUMERICAL INTERCHANGE

Zero Duplication or Recommended Industrial		Zero Duplication or Recommended Industrial		Zero Duplication or Recommended Industrial		Zero Duplication or Recommended Industrial					
Mfr. No.	Name	Mfr. No.	Name	Mfr. No.	Name	Mfr. No.	Name				
65X761	GARLK	473231	65X906	GARLK	472164!	660	GARLK	451857	66247	VIC	471649!
65X762	GARLK	473231	65X907	GARLK	472185!	6600097	EATON	415327	66249	DGASK	13069
65X763	GARLK	473367!	65X908	GARLK	472185!	660009700	EATON	415327	6625	C-R	17X30X7V
65X763	GARLK	473367	65X909	GARLK	472185!	6600140	EATON	415551	662535	ALLCH	471272!
65X764	GARLK	473367	65X90X10SC	TRSCM	65X90X10!	660014000	EATON	415551	662548	GMC	470565=
65X764	GARLK	473367!	65X90X10TC	TRSCM	65X90X10!	6600282	EATON	8907	662573C1	IH	JV1550=
65X765	GARLK	473367	65X90X13SC	TRSCM	65X90X13	660028200	EATON	8907	6626	C-R	17X30X7V
65X765	GARLK	473367!	65X90X13TC	TRSCM	65X90X13	6600580	EATON	415035	662654	CLARK	471316!
65X769	GARLK	473010	65X91	GARLK	471255!	6600692	EATON	416362	66280	C-R	417298
65X77	GARLK	471532*	65X910	GARLK	470334!	6600692-00	EATON	416362	662902	CLARK	415449!
65X770	GARLK	473010	65X911	GARLK	470334!	660079E	SPG	712135	662D316-L	C-R	6245S=
65X771	GARLK	473010	65X912	GARLK	470334!	6600S	SPG	6597S	663	C-R	5MR1009
65X772	GARLK	473232	65X913	GARLK	472179	6601000	LF-PT	471688	6630	C-R	17X32X7!
65X773	GARLK	473232	65X914	GARLK	472179	6602556	EATON	417283	6630	C-R	221730
65X774	GARLK	473232	65X915	GARLK	472179	660389	CLARK	472179	663004R91	IH	204013
65X775	GARLK	481864	65X916	GARLK	473447	66038R91	IH	471224	663041R91	IH	474256
65X776	GARLK	481864	65X917	GARLK	473447*	660469R91	IH	472439	663042R91	IH	471341!
65X777	GARLK	481864	65X918	GARLK	473447	660496	CLARK	471766	663043R91	IH	415697!
65X778	GARLK	474274	65X919	GARLK	470334!	6605	ALOY	2689S	663043R91	IH	455547
65X779	GARLK	474274	65X919	GARLK	50289	66051	VIC	471442!	663044R91	IH	414045!
65X78	GARLK	471532	65X92	GARLK	471255!	66054	CATER	473467!	663045R91	IH	472439
65X780	GARLK	474274	65X920	GARLK	470334!	6606	ALOY	8871	66308	DGASK	13338
65X781	GARLK	450275	65X920	GARLK	50289	6609	C-R	17X27X7	66318	VIC	476838!
65X782	GARLK	450275	65X921	GARLK	470334!	6610	C-R	17X28X7!	6633	C-R	17X32X7!
65X783	GARLK	450275	65X921	GARLK	50289	6610	C-R	221710	6633	C-R	221730
65X787	GARLK	473444	65X922	GARLK	471141!	66101	VIC	471255!	663325	US-EL	472341!
65X788	GARLK	473444	65X923	GARLK	471141!	661021	HU-WR	472924!	663379	VIC	370006A
65X789	GARLK	473444	65X924	GARLK	471141!	6611	C-R	17X28X7V!	663379	WHITE	370006A
65X79	GARLK	473405*	65X925	GARLK	473448	6611	C-R	221710	663379D6	DIA	370006A
65X7953	GARLK	415577*	65X926	GARLK	473448	661185R91	IH	474256	6633R	JN-MN	417603!
65X7973	GARLK	55329*=	65X927	GARLK	473448	6612	C-R	17X28X7V	66340S	TROS	9342S
65X80	GARLK	473405	65X928	GARLK	471984*	66121	TROS	6815	663414	C-R	55501=
65X80X8	FORSH	65X80X8	65X929	GARLK	471984*	66122S	TROS	9150S	663424	C-R	455375=
65X80X8	SIMRT	65X80X8	65X93	GARLK	471564	66123	GRAY	450084!	663476	GMC	370012A
65X80X8SC	TRSCM	65X80X8	65X930	GARLK	471984	66123	TROS	472258!	663477	GMC	418028
65X80X8TC	TRSCM	65X80X8	65X931	GARLK	473313	66124	GRAY	411253!	663478	GMC	370005A
65X81	GARLK	471558	65X932	GARLK	473313	66126	GRAY	471137	663480	GMC	370021A
65X82	GARLK	471558*	65X933	GARLK	473313	66126	VIC	470954!	663482	GMC	370007A
65X829	GARLK	473445*	65X94	GARLK	471564*	66126K4	GE	470954!	663484	GMC	471734
65X830	GARLK	473445	65X940	GARLK	50266*	6613	ALOY	9049	663485	GMC	370005A
65X831	GARLK	473445*	65X941	GARLK	50266*	66135	VIC	471554!	663486	GMC	370021A
65X835	GARLK	473234	65X942	GARLK	50266	661350R91	IH	471341!	663487	GMC	417505
65X836	GARLK	473234	65X943	GARLK	450269*	6614	C-R	17X28X7!	663512	B-L-H	415938
65X837	GARLK	473234	65X944	GARLK	450269*	6614	C-R	221710	663512	C-R	415938
65X838	GARLK	473235!*	65X945	GARLK	450269	66140	VIC	471643!	663512	MINMA	415938
65X839	GARLK	473235!*	65X946	GARLK	450285*	6615	C-R	17X29X7	663512A	BUC-E	415938
65X840	GARLK	473235!	65X947	GARLK	450285*	661504	CLARK	471621!	663512M1	C-R	415938
65X841	GARLK	474265	65X948	GARLK	450285	661875R91	IH	204002	663520	C-R	417555!
65X842	GARLK	474265	65X949	GARLK	471866!*	661876R91	IH	204002	663520M1	C-R	417555!
65X843	GARLK	474265	65X95	GARLK	471612	66193	VIC	471267!	663524	C-R	415447
65X844	GARLK	473236!*	65X950	GARLK	471866!*	66196	VIC	471570!	663528	C-R	55392=
65X845	GARLK	473236!*	65X951	GARLK	471866!	662	C-R	5MR1008	663566R91	IH	473215!
65X846	GARLK	473236!	65X95X10AN	ISP	65X95X7	6620	ALOY	1209	663567R91	IH	415379!
65X853	GARLK	473446	65X97	GARLK	481528	6620	C-R	17X30X7!	663567R91	IH	415379
65X854	GARLK	473446	65X9722	GARLK	470625!	6620	C-R	221720	663568R91	IH	415379!
65X855	GARLK	473446*	65X976	GARLK	472070*	66201S	TROS	9116S	663568R91	IH	415379
65X859	GARLK	471981	65X977	GARLK	472070*	66202T	CLARK	412871!	6635SS	JN-MN	470712!
65X85X10SC	TRSCM	65X85X10	65X978	GARLK	472070	66202S	TROS	9195S=	663603	CHRYSS	450084!
65X85X10TC	TRSCM	65X85X10	65X979	GARLK	471866!	66203	TROS	9049	663729R91	IH	204017
65X85X8AN	ISP	65X85X8	65X98	GARLK	481528	66203	TROS	9049N	6637S	SPG	3103!
65X860	GARLK	471981	65X980	GARLK	471866!	662066R91	IH	415303!	66381D	IH	471554!
65X861	GARLK	471981	65X981	GARLK	471866!	6622	ALOY	8871	663885R91	IH	472572!
65X87	GARLK	471466!	65X982	GARLK	473449	6622	C-R	221720	663886R91	IH	473214
65X88	GARLK	471466!	65X983	GARLK	473449	6622	C-R	481481	6638S	NATL	370001A
65X88X10SC	TRSCM	65X88X10	65X984	GARLK	473449	66220	TROS	9161	663H512-T8	C-R	415938
65X88X10TC	TRSCM	65X88X10	65X987	GARLK	480281!	662316L	C-R	6245S=	663N2	WHITE	471141!
65X88X8AN	ISP	65X88X8	65X988	GARLK	450269*	6624	C-R	17X30X7!	663W524	C-R	415447
65X898	GARLK	471504!	65X989	GARLK	450269*	6624	C-R	221720	6640	C-R	17X35X7!
65X899	GARLK	471504!	65X990	GARLK	450269*	66240	C-R	417298	6640	C-R	221735
65X900	GARLK	471504!	65X991	GARLK	473450	66241	C-R	417298	66402S	TROS	2043
65X904	GARLK	472164!	65X992	GARLK	473450	66242	VIC	472311!	664078R91	IH	473214
65X905	GARLK	472164*	65X993	GARLK	473450	66245	VIC	471224!	6641	C-R	221735

! Industrial Size/Type * Minor Width Difference

= The U.S. customer service number is 877-4-TIMKEN. The Canadian customer service numbers are 800-565-4927 (English) and 800-565-0438 (French-Canadian).

Mfr. No.	Name	Zero Duplication or Recommended Industrial	Mfr. No.	Name	Zero Duplication or Recommended Industrial	Mfr. No.	Name	Zero Duplication or Recommended Industrial	Mfr. No.	Name	Zero Duplication or Recommended Industrial
664157R91	IH	415303!	66531	VIC	47X68X10!	66575	VIC	223014	66627	VIC	222820
6641S	SPG	471570!	66532	VIC	1994	66576	VIC	1981	66627	VIC	28X40X7!
6642	C-R	17X35X7V	66532	VIC	48X70X9!	66578	VIC	1952	66628	VIC	222860
664309R91	IH	204013	66535R91	IH	470334!	66579	VIC	1953	66628	VIC	28X47X7!
6644	C-R	17X35X7	66535	VIC	223830	66579	VIC	42X60X7!	66629	VIC	28X52X7
66440C1	IH	471442!	66535	VIC	38X55X7!	6657S	SPG	7014S	66630	VIC	1970
664412	ALLCH	471507N=	66535R91	IH	470334!	66580	VIC	1990	66630	VIC	30X42X7!
66446	VIC	323138!	66535R91	IH	470334!	66580	VIC	TCS45718	66631	VIC	30X47X7
6645	C-R	17X36X7	66536	VIC	1977	66581	VIC	1963	66632	VIC	223035
6646	C-R	17X35X7V	66536	VIC	224820	66584	VIC	1943	66633	VIC	32X45X7
66462	VIC	471276	66536	VIC	48X62X8!	66585	VIC	42X55X8!	66635	VIC	223255
664631	SPICE	480210!	66537	VIC	1183	66587	VIC	228030	66635	VIC	32X52X7!
664657R91	IH	472164!	66537	VIC	42X55X8!	66587	VIC	80X110X10!	66636	VIC	223520
664658R91	IH	472164!	66538	VIC	1973	66587	VIC	80X110X12!*	66636	VIC	35X50X8!
6647S	NATL	470954!	66538	VIC	1977	66588	VIC	1012	66637	VIC	223542
6650	C-R	17X37X7	66539	VIC	1174	66588	VIC	1012N	66637	VIC	35X55X11!
66500	VIC	1012	66539	VIC	38X52X8.5!	66588	VIC	45X62X8!	66638	VIC	223830
66500	VIC	1012N	66540	VIC	1188	66589RS	VIC	88179	66638	VIC	223831
66501	VIC	224045	66540	VIC	224820*	66590RS	VIC	16204	66638	VIC	38X55X7!
66501	VIC	40X62X12!	66540	VIC	48X62X8!	66590RS	VIC	88199	66639	VIC	223840
66502	VIC	1174	66540	VIC	710322	66590RS	VIC	99199!	66639	VIC	38X58X8!
66503	VIC	1165	66540S	TROS	8935S	66591RS	VIC	99193	6663R	JN-MN	415227!*
66504	VIC	1208	66541	VIC	1973	66592RS	VIC	16201	66640	VIC	38X62X7
66504	VIC	48X72X7!	66541	VIC	48X65X10!	66592RS	VIC	88218	666408	WHITE	80313
66505	VIC	1967	66541S	TROS	473234!	66592RS	VIC	99218!	66642	VIC	224045
66506	VIC	1165	66542	VIC	1128	66593RS	VIC	16200	66642	VIC	40X62X12!
66507	VIC	1969	66543	VIC	224235	66593RS	VIC	99225	66643	VIC	42X55X8!
66507	VIC	224831	66543	VIC	42X58X7!	66594RS	VIC	16208	66644	VIC	224250
66507	VIC	48X63X9!	66544	VIC	224045	66594RS	VIC	99174	66644	VIC	42X62X8!
66508	VIC	1208	66544	VIC	40X62X12!	66595RS	VIC	88187	66645	VIC	1992
66508	VIC	48X72X7!	66545	VIC	1181	66595RS	VIC	99187!	66645	VIC	45X65X8!
66509	VIC	1209	66545	VIC	41X56X7!	66596RS	VIC	88187	66647	VIC	225035
66509	VIC	225010	66546	VIC	224270	66596RS	VIC	99187!	66647	VIC	50X72X8!
66509	VIC	50X65X8!	66546	VIC	42X72X10!	66597RS	VIC	16202	66648	VIC	55X72X8!
66510	VIC	1217	66547	VIC	1974	66597RS	VIC	88176	66649	VIC	55X80X8
66511	VIC	1195	66548	VIC	32X47X7!	66597RS	VIC	99176!	6665	C-R	17X42X7
66512	VIC	223840	66548	VIC	3476	66598RS	VIC	16205	66650	VIC	226020
66512	VIC	38X58X8!	66549	VIC	1962	66598RS	VIC	88233	66650	VIC	60X80X8!
66513	VIC	223840	66549F	DIA	410102	66598RS	VIC	99233!	66651	VIC	60X85X8
66513	VIC	38X58X8!	6655	C-R	17X38X7	66599RS	VIC	99212	66652	VIC	226520
66514	VIC	224560*	66550	VIC	1873	6659R	JN-MN	471820	66653	VIC	65X90X10!
66514	VIC	320564*	66551	VIC	471192	6660	C-R	17X40X7	666536R91	IH	203007=
66514	VIC	45X68X7!*	66552	VIC	224820	66600RS	VIC	88199	66654	VIC	227040
66514	VIC	710345	66553	VIC	224820	66601RS	VIC	16203	66654	VIC	70X90X10!
66515	VIC	222510	66553	VIC	48X62X8!	66601RS	VIC	88186	66655	VIC	70X95X13
66515	VIC	25X35X7!	66554	VIC	472164!	66602RS	VIC	99162	666552R91	IH	472070
66516	VIC	224015	66555	VIC	473241	66604RS	VIC	99149	666553R91	IH	450165
66517	VIC	224820	66556	VIC	473234!	66605RS	VIC	99250	666553R91	IH	471801!
66517	VIC	48X62X8!	66557	VIC	1110	66606RS	VIC	99274	66656	VIC	75X95X10
66519	VIC	55X82X12!	66558	VIC	1110	66609	VIC	10X22X7	66657F	DIA	415137!
66520	TROS	473473	66559	VIC	473454*	6661	C-R	17X40X7!	66657F	DIA	418028
66520	VIC	1950	66559	VIC	473454!	66613	VIC	12X30X7	66657J	DIA	416654
66521	VIC	224820	66561	VIC	471224!	66614	VIC	15X26X7	66657M	DIA	417159
66521	VIC	48X62X8!	66562	VIC	223510	66615	VIC	15X30X7!	66658	VIC	228009
66522	VIC	224210	66563	VIC	471870!	66615	VIC	221540	66658	VIC	228010*
66522	VIC	42X55X8!	66564	VIC	350936	66616	VIC	15X35X7	66658	VIC	80X100X10!
66523	VIC	1955	66565	VIC	224045	66618	VIC	18X30X7!	66658J	DIA	416282
66523	VIC	52X65X9!	66565	VIC	40X62X12!	66618	VIC	221820	66659	VIC	85X110X12
66524	VIC	1960	66566	VIC	482126	66619	VIC	18X35X7	66660	VIC	85X120X12
66525	VIC	1959	66568	VIC	40769S	6662	C-R	17X40X7!	66661	VIC	90X120X12
66526	VIC	224820	66569	VIC	473238!	66620	VIC	20X35X7!	66662	VIC	95X120X12
66526	VIC	48X62X8!	665691	GMC	370001A	66620	VIC	222030	666626R91	IH	472070
66527	VIC	1956	665692	GMC	HU066A	66621	VIC	20X40X7!	666628R91	IH	203007=
66527	VIC	224820*	66570	VIC	223535	66621	VIC	222050	66663	VIC	100X125X12
66527	VIC	48X62X8!	66571	VIC	472213	66622	VIC	222220	66665	VIC	120X150X12!
66528	VIC	58X72X8	66572	VIC	1174	66622	VIC	22X35X7!	66666	VIC	130X160X12
66529	VIC	1174	66572	VIC	38X52X8.5!	66623	VIC	22X40X7	66667	VIC	145X170X12!
66529	VIC	38X52X8.5!	66573	VIC	1077=	66623	VIC	TCS45434	66667	VIC	231404
6653	C-R	17X37X7	66573	VIC	223535	66624	VIC	222540	66669	VIC	160X190X15
66530	VIC	1174	66574	VIC	2000	66624	VIC	25X40X7!	6666LA	JN-MN	450474*
66530	VIC	38X52X8.5!	66574	VIC	224235	66625	VIC	25X47X7	66670	VIC	170X200X15
66531	VIC	1187	66574	VIC	42X58X7!	66626	VIC	25X52X7!	66671	VIC	180X210X15

! Industrial Size/Type * Minor Width Difference

= The U.S. customer service number is 877-4-TIMKEN. The Canadian customer service numbers are 800-565-4927 (English) and 800-565-0438 (French-Canadian).

NUMERICAL INTERCHANGE

Mfr. No.	Name	Zero Duplication or Recommended Industrial	Mfr. No.	Name	Zero Duplication or Recommended Industrial	Mfr. No.	Name	Zero Duplication or Recommended Industrial	Mfr. No.	Name	Zero Duplication or Recommended Industrial
66672	VIC	190X220X16	66743	VIC	1992	66792	VIC	1216	66830	VIC	2443
66686	VIC	6X16X7	667434	ALLCH	417210!	66792	VIC	1216N	66831	VIC	223610
66687	VIC	6X22X7	66744	VIC	226480	66793	VIC	222430	66831	VIC	223610
66688	VIC	1952	66744	VIC	64X80X8!	66793	VIC	24X40X7!	66832	VIC	710197!
66690	VIC	BS25031	66745	VIC	1906	66794	VIC	225230	66832	VIC	14X24X7!
66691	VIC	710205	66746	VIC	710189	66794	VIC	52X72X8!	66832	VIC	221410
66693	VIC	223430	66747	VIC	223520	66796	VIC	1996	66833	VIC	1989
66693	VIC	710417	66747	VIC	35X50X8!	66797	VIC	450273	66834	VIC	222655
66696	VIC	224025	66747	VIC	3771	66798	VIC	224470	66834	VIC	26X48X7!
66697	VIC	472492!	66748	VIC	228010	66798	VIC	44X72X10!	66835	VIC	222535
666973C1	IH	417158*	66748	VIC	80X100X10!	66799	VIC	223620	66835	VIC	25X38X7!
66699	VIC	224020	66748	VIC	BS40252	66799	VIC	36X68X10!	66836	VIC	224255
66699	VIC	40X55X8!	66749	VIC	1177	66799	VIC	36X68X10!	66837	VIC	2007N
6669LA	JN-MN	417316!	6675	C-R	17X46X7	6679LA	JN-MN	473227	66838	VIC	494123
6670	C-R	17X45X7*	6675	VIC	225420	6679LPD	JN-MN	473227	66839	VIC	225220
66701	VIC	223830	66750	VIC	1955	6679LUP	JN-MN	473227!	66839	VIC	52X68X8!
66701	VIC	38X55X7!	66751	VIC	52X65X9!	6680	C-R	17X47X7!	66840	VIC	1213N
66703	VIC	3772	66751	VIC	1176	6680	C-R	17X47X8	66842	VIC	34X52X8
66704	VIC	1021V	66752	VIC	2002	668002	ATLAS	6815	66844	VIC	1986
66704	VIC	BS40265	66753	VIC	223520!	668004	AT SU	473317	66845	VIC	222650
66707	VIC	229005	66754	VIC	200886	668009	AT SU	9150S	66845	VIC	26X47X7!
66707	VIC	229006*	667567R91	IH	1979	668011	AT SU	7934S	66846	VIC	36X47X7
66708	VIC	239146	66757	VIC	334111	668015	AT SU	8705S	66847	VIC	224100
66708	VIC	38X54X7!	66758	VIC	2011	668015	ATLAS	8705S	668479	CHRY	5836
66709	VIC	1973	66759	VIC	472572!	668016	AT SU	9406S	66848	VIC	224820
66710	VIC	224462	667591R91	IH	200886	668021	ATLAS	8871	66849	VIC	33X50X12!
66711	VIC	222510	667599R91	IH	2011	668022	ATLAS	292594	6685	C-R	17X47X8
66711	VIC	25X35X7!	66760	VIC	712020	668025	ATLAS	5121	66850	VIC	224462
66712	VIC	473367	66760	VIC	1884	668026	ATLAS	3087	66851	VIC	2000
66713	VIC	1213N	66761	VIC	1979*	668029	ATLAS	8974S	66851	VIC	224235
66714	VIC	1994	66762	VIC	30X48X8!	668034	AT SU	1196	66851	VIC	42X58X7!
66714	VIC	48X70X9!	66763	VIC	1174	668034	ATLAS	1198	66852	VIC	1038
66715	VIC	1214	66764	VIC	38X52X8.5!	668035	AT SU	224015	66853	VIC	1019
66715	VIC	1214N	66764	VIC	32X58X8!	668035	ATLAS	224015	66853	VIC	BS40387
66716	VIC	239146	66765	VIC	223555	668036	AT SU	1950	66854	VIC	224025
66716	VIC	38X52X8.5!	66766	VIC	35X64X8!	668036	ATLAS	1950	66855	VIC	115X140X12!
66717	VIC	1960	66766	VIC	J1114=	668037	AT SU	1188	66855	VIC	231152
66718	VIC	224520	667663	Y-T	1173	668037	ATLAS	1188	66856	VIC	231002
66718	VIC	45X60X10!	66767	VIC	2016	668038	AT SU	1183	66857	VIC	65X95X8
66719	VIC	225275	66768	VIC	1167	668038	ATLAS	1183	668572	ALLCH	471442!
6671LA	JN-MN	417541	66769	VIC	224040	668039	ATLAS	3357	66858	VIC	225880
6671LUP	JN-MN	417541	66770	VIC	42X60X7!	66804	VIC	223275	66859	VIC	710318
66720	VIC	55X70X8!	66770	VIC	1884	66804	VIC	32X56X10!	66860	VIC	2009
66721	VIC	1999	66771	VIC	52X68X8!	668042	AT SU	710127	66861	VIC	1953
66723	VIC	239127	66771	VIC	341119	668043	AT SU	710108	66863	VIC	1177
66724	VIC	239128	66772	VIC	226520	668044	AT SU	710129	66864	VIC	223420
66725	VIC	239129	66773	VIC	65X85X10!	66805	VIC	224570	66865	VIC	223552
66726	VIC	225230	66773	VIC	224045	66805	VIC	45X72X7!	66866	VIC	1147
66726	VIC	52X72X8!	66774	VIC	40X62X12!	66806	VIC	1108	66867	VIC	1938
66727	VIC	225420	66774	VIC	1012	66806	VIC	1215	66868	VIC	223605
66727	VIC	54X72X10!	66775	VIC	1012N	66806	VIC	1215N*	66869	VIC	224874
66728	VIC	1984	66775	VIC	1163=	66807	VIC	1987	66870	VIC	224820
66729	VIC	1948	66776	VIC	20X30X7!	66807	VIC	TCS45424	66877	VIC	800450
66729	VIC	55X82X12!	66776	VIC	222025	66809	VIC	1936	66878	VIC	344032
667293	Y-T	473238!	66777	VIC	1174	6681	C-R	17X47X8	66879	VIC	225225
66730	VIC	226285	66777	VIC	38X52X7!	66812	VIC	2003N!	66879	VIC	225540
66730	VIC	62X85X8!	66778	VIC	222745	66813	VIC	444116	66880	VIC	225650
66731	VIC	710145	66778	VIC	27X45X8!	668138M1	MASSE	473016!	66880	VIC	56X72X11.5!
66732	VIC	1959	66778	VIC	223240	66818	VIC	1172	66881	VIC	223340
66733	VIC	224820	66779	VIC	455685	66819	VIC	50X80X8	66883	VIC	224220
66733	VIC	48X62X8!	66779	VIC	1981	66821	VIC	1985	66886	VIC	223542
66734	VIC	1943	66780	VIC	224560	66822	VIC	40X58X10!	66886	VIC	35X55X11!
66734	VIC	224570	66781	VIC	45X68X7!	66823	VIC	223580	66887	VIC	225500
66734	VIC	45X72X12!	66781	VIC	9161	66824	VIC	2008	66887	VIC	55X68X8!
66735	VIC	224015	66782	VIC	223014	66824	VIC	32X54X10!	66891	VIC	32X48X8!
66737	VIC	224835	66783	VIC	1953	66825	VIC	2011	66893	VIC	4401=
66737	VIC	48X68X10!	66784	VIC	42X60X7!	66826	VIC	1990	66893	VIC	710156
66738	VIC	415303!*	66784	VIC	2007N	66827	VIC	1215	66894	VIC	222820
66741	VIC	225005	66785	VIC	350609	66827	VIC	1215N	66895	VIC	1015N
66741	VIC	50X62X7!	66787	VIC	12X22X7!	66828	VIC	223240	66895	VIC	18X28X6!
66742	VIC	1012	66788	VIC	221207	66828	VIC	32X48X8!	66896	VIC	220860
66742	VIC	1012N	66791	VIC	1965	66829	VIC	224320	66896	VIC	8X16X7!
						6682R	JN-MN	416167!	66897	VIC	16X24X7

! Industrial Size/Type *Minor Width Difference

= The U.S. customer service number is 877-4-TIMKEN. The Canadian customer service numbers are 800-565-4927 (English) and 800-565-0438 (French-Canadian).

Mfr. No.	Name	Zero Duplication or Recommended Industrial	Mfr. No.	Name	Zero Duplication or Recommended Industrial	Mfr. No.	Name	Zero Duplication or Recommended Industrial	Mfr. No.	Name	Zero Duplication or Recommended Industrial
66898	VIC	221610	66980	VIC	221720	66X1492	GARLK	472636!	66X2546	GARLK	416130!
668M316-L	C-R	62455=	66981	VIC	471413!	66X1498	GARLK	412920!	66X2555	GARLK	415041
66902	VIC	224570	66982	VIC	3476	66X1504	GARLK	411376!	66X2657	GARLK	416556!
66902	VIC	45X72X7!	66984	VIC	1181	66X1511	GARLK	450033	66X2657	GARLK	472157
66903	VIC	710070	669846	ALLCH	413246	66X153	GARLK	470390	66X2663	GARLK	416891!
66904	VIC	1180	669847	ALLCH	471529	66X1654	GARLK	413246	66X2753	GARLK	416888!
66905	VIC	223802	66985	VIC	3771	66X1657	GARLK	412119!	66X2756	GARLK	416153!
66908	VIC	710331	66985	VIC	713771	66X1660	GARLK	413247!	66X289	GARLK	473380*
66909	VIC	223540	66986	VIC	228008	66X1666	GARLK	416271!	66X3125	GARLK	455576!
66909	VIC	223542*	66986	VIC	BS40535	66X1669	GARLK	412861	66X3128	GARLK	415938
66909	VIC	35X55X11*	66987	VIC	710234	66X1678	GARLK	417480!	66X323	GARLK	471651
66911	VIC	224210	66988	VIC	710233	66X1723	GARLK	471887	66X325	GARLK	471705!
66916	VIC	1937	66988	VIC	TCS45745	66X1738	GARLK	411500	66X327	GARLK	473419!
66917	VIC	224772	6698R	JN-MN	415116	66X1747	GARLK	411245!	66X3275	GARLK	417362!
66918	VIC	320595	66991	VIC	1217	66X1750	GARLK	417073	66X3278	GARLK	417363
66919	VIC	1937	66991	VIC	TCS45786	66X1801	GARLK	472029	66X3281	GARLK	416666
66920	VIC	27X42X10	66992	VIC	1987	66X1807	GARLK	471271!	66X333	GARLK	471762!
66921	VIC	18X28X6	66993	VIC	1174	66X1813	GARLK	470605!	66X35	GARLK	472810!
66924	VIC	1939	66994	VIC	225650	66X1819	GARLK	415449!	66X352	GARLK	471652
66925	C-R	170X200X15*	66995	VIC	473823	66X1825	GARLK	416273	66X355	GARLK	476838!
66925	VIC	1174	66996	VIC	710070	66X1888	GARLK	455311*	66X357	GARLK	470712!
66925	VIC	38X52X7!	66997	VIC	226530	66X1933	GARLK	413248	66X359	GARLK	471763
66926	VIC	710097	66998	VIC	224400	66X1939	GARLK	415483	66X361	GARLK	471785!
66928	VIC	1140	66999	VIC	710069	66X1945	GARLK	415458!	66X383	GARLK	472475
66928	VIC	223580	6699R	JN-MN	417601	66X1948	GARLK	417343!	66X384	GARLK	472475
66929	VIC	223543!	66A	FORD	472705!	66X1951	GARLK	415007	66X385	GARLK	473426
66930	C-R	170X200X15	66X1042	GARLK	472439	66X2035	GARLK	416664!	66X387	GARLK	471765!
66930	VIC	710111	66X1045	GARLK	471868	66X2038	GARLK	417484!	66X3872	GARLK	471747!
66931	VIC	223801!	66X1048	GARLK	472572!	66X2041	GARLK	415984!	66X3880	GARLK	471344
66932	VIC	710332	66X1051	GARLK	473179!	66X2044	GARLK	417316!	66X3883	GARLK	473442!
66940	VIC	239146	66X1057	GARLK	473238	66X2047	GARLK	415960	66X394	GARLK	473205
66940	VIC	38X54X7!	66X1063	GARLK	473239!	66X2050	GARLK	416706!	66X424	GARLK	471750!
66941	VIC	227530	66X1066	GARLK	473457!	66X2118	GARLK	417344!	66X427	GARLK	471766!
66941	VIC	716445	66X1069	GARLK	473240!	66X2121	GARLK	417158!	66X430	GARLK	471787!
66942	VIC	224840	66X1075	GARLK	473458!	66X213	GARLK	471267!	66X436	GARLK	471795
66946	VIC	710148	66X1114	GARLK	472319	66X2146	GARLK	416956	66X439	GARLK	450165
66947	VIC	473677	66X1117	GARLK	473459	66X2152	GARLK	416654!	66X439	GARLK	471801!
66948	VIC	225030	66X1120	GARLK	473241	66X2168	GARLK	417349!	66X442	GARLK	471808!
66949	VIC	710072	66X1129	GARLK	472144!	66X217	GARLK	471633!*	66X451	GARLK	473424!
66950	VIC	1936	66X113	GARLK	471553!	66X2171	GARLK	417350!	66X4802	GARLK	450545
66952	VIC	1217	66X1132	GARLK	473460	66X2174	GARLK	415995!	66X4965	GARLK	451031=
66952	VIC	224015*	66X1135	GARLK	472394	66X2174	GARLK	415995!	66X535	GARLK	470774!
66953	VIC	2025	66X115	GARLK	471579	66X2177	GARLK	417351!	66X541	GARLK	471192
669530R91	IH	412119!	66X119	GARLK	471642	66X221	GARLK	470590	66X544	GARLK	473214
66954	VIC	716102	66X1198	GARLK	472924!	66X2249	GARLK	456105	66X547	GARLK	473215!
66954	VIC	85X105X13!	66X1204	GARLK	472397!	66X2257	GARLK	455336	66X550	GARLK	470950!
66955	VIC	1036	66X1207	GARLK	473463	66X2261	GARLK	417490	66X550	GARLK	6241S
66956	VIC	1146	66X1210	GARLK	473242	66X2267	GARLK	455022	66X556	GARLK	471835!
66957	VIC	1126	66X1252	GARLK	451948	66X227	GARLK	481741=	66X592	GARLK	473224!
66958	VIC	239201!	66X1270	GARLK	416738!	66X2270	GARLK	476470!	66X595	GARLK	473016!
66958	VIC	4175	66X1270	GARLK	450096	66X2270	GARLK	476470	66X598	GARLK	473225!
66959	VIC	474133	66X1321	GARLK	470898=	66X2273	GARLK	417181!	66X643	GARLK	470625!
6696	SPG	417355!	66X1324	GARLK	473467	66X2276	GARLK	418028	66X645	GARLK	471818
6696	SPG	485497	66X1327	GARLK	472015!	66X2279	GARLK	417353!	66X655	GARLK	473228
66960	VIC	32X47X7!	66X1333	GARLK	472016	66X2294	GARLK	455328	66X664	GARLK	473440!
66960	VIC	3476	66X1339	GARLK	472409!	66X2366	GARLK	415991	66X6658	GARLK	471276*
66962	VIC	710215	66X1345	GARLK	473243	66X2366	GARLK	415991!	66X700	GARLK	472213
66963	VIC	1176	66X1357	GARLK	416267!	66X2369	GARLK	417196!	66X703	GARLK	472299
66966	VIC	222556	66X1357	GARLK	456267=	66X2375	GARLK	417198	66X706	GARLK	471821!
66967	VIC	222267	66X1402	GARLK	472018	66X2417	GARLK	416332!	66X712	GARLK	473229
66968	VIC	225020	66X1405	GARLK	473471	66X2420	GARLK	415937!	66X7126	GARLK	470596*
6696S	NATL	417355!	66X1408	GARLK	472020	66X2426	GARLK	416125!	66X715	GARLK	470682
6696S	NATL	485497	66X1414	GARLK	470354	66X2432	GARLK	417499	66X7164	GARLK	473455!
66970	VIC	70X95X13	66X1420	GARLK	473245!	66X2433	GARLK	417355!	66X718	GARLK	471316
66972	VIC	229010	66X1426	GARLK	413472	66X2435	GARLK	415832	66X7249	GARLK	416127
66973	VIC	716102	66X1432	GARLK	416268	66X2438	GARLK	417500	66X7282	GARLK	470088
66974	HYST	323138!	66X145	GARLK	471498*	66X2462	GARLK	415379	66X739	GARLK	482253
66974	VIC	229005	66X1471	GARLK	471341!	66X2465	GARLK	417205!	66X760	GARLK	473231
66975	VIC	223510	66X1474	GARLK	471272!	66X2468	GARLK	416339	66X763	GARLK	473367
66977	VIC	228250	66X1480	GARLK	471138!	66X2537	GARLK	415035	66X766	GARLK	473367!
66977	VIC	710448	66X1486	GARLK	410737!	66X2540	GARLK	417356!	66X769	GARLK	473010
66979	VIC	710348	66X149	GARLK	471684!	66X2543	GARLK	417357	66X772	GARLK	473232

! Industrial Size/Type * Minor Width Difference

= The U.S. customer service number is 877-4-TIMKEN. The Canadian customer service numbers are 800-565-4927 (English) and 800-565-0438 (French-Canadian).

NUMERICAL INTERCHANGE

Mfr. No.	Name	Zero Duplication or Recommended Industrial	Mfr. No.	Name	Zero Duplication or Recommended Industrial	Mfr. No.	Name	Zero Duplication or Recommended Industrial	Mfr. No.	Name	Zero Duplication or Recommended Industrial
66X775	GARLK	481864	67054	VIC	223553 *	67115	VIC	710225	67205	VIC	710255
66X787	GARLK	473444	67054	VIC	4901	671151	CHRY5	415449!	67208	VIC	1932
66X7934	GARLK	55469 *	67055	VIC	224063	67116	VIC	1207	67209	VIC	710236
66X7941	GARLK	455509 *	67057	VIC	221607	67116	VIC	1207N	67211	VIC	223230
66X8074	GARLK	471827! *	67058	VIC	710116	67117	VIC	1964	67211	VIC	320348
66X8081	GARLK	450819 *	67059	VIC	221620	67118	VIC	710150	67211	VIC	TCS45918
66X826	GARLK	473233!	67060	VIC	710297	67119	VIC	228410	67212	VIC	710327
66X8342	GARLK	450557	67061	VIC	1216	67120	VIC	229210	672138R91	IH	472015!
66X8342	GARLK	471255!	67061	VIC	1216N	67121	VIC	228009	67218	VIC	710072
66X835	GARLK	473234	67063	VIC	710051	67122	VIC	224650	67219	VIC	226530
66X838	GARLK	473235!	67065	VIC	714503	67123	VIC	228009	67220	VIC	225877
66X844	GARLK	473236!	67066	VIC	223801!	67124	VIC	224015	67222	VIC	224250
66X859	GARLK	471981	67067	VIC	221607	67128	VIC	222745	67224	VIC	710313
66X899	GARLK	471504!	67068	VIC	40X58X10! *	67129	VIC	27X45X8!	672303	GMC	470059
66X907	GARLK	472185!	67069	VIC	1990	6712N	SPG	473179	672303	GMC	470380!
66X910	GARLK	470334!	67070	VIC	222430	67130	VIC	223050	67231	VIC	226610
66X913	GARLK	472179	67071	VIC	1981	671308	GMC	411500	67232	VIC	710166
66X922	GARLK	471141!	67072	VIC	223535	67131	VIC	30X50X7	67233	VIC	223831
66X925	GARLK	473448	67073	VIC	223520!	67132	VIC	3476	67234	VIC	223410
66X928	GARLK	471984	67074	VIC	2007N	67133	VIC	1180	67235	VIC	710170
66X931	GARLK	473313	67075	VIC	224066	67134	VIC	710092	67236	VIC	710165
6700157	GMC	417210!	670752	CHRY5	471827	67136	VIC	712551	67237	VIC	224252
67002	VIC	710093	67077	VIC	1213N	67137	VIC	1941	67242	VIC	472311
6700209	GMC	417354!	67078	VIC	710218	67138	VIC	224026	67245	VIC	471224
67003	VIC	223550	67079	VIC	222238	67139	VIC	225673	67247	VIC	471649!
67004	VIC	225872	67080	VIC	223014	67140	VIC	471643!	67251	VIC	16X24X6
67005	VIC	1973	67083	VIC	80X125X12	67142	VIC	710156	67256C1	IH	416556!
6700576	GMC	476591N=	67085	VIC	228520	67143	VIC	4898	67256C1	IH	472157
6700577	GMC	471766!	67085	VIC	85X110X12!	67149	VIC	710112	67257	VIC	20X36X7
67006	VIC	494123	67086	VIC	125X150X12!	67150	VIC	229005 *	67258	VIC	1932
67007	VIC	1213N	67086	VIC	231250	67150	VIC	BS40598	67259	VIC	710109
67008	VIC	223542	67087	VIC	227550	67151	VIC	223800	67260	VIC	710110
6700846	GMC	471567!	67087	VIC	75X100X12!	67151	VIC	223801 *	67262	VIC	224663
67009	VIC	1975	67088	VIC	229520	67154	VIC	710073	67264	VIC	2027
67010	VIC	473677	67088	VIC	95X130X12!	67156	VIC	1935	67265	VIC	710248
670118	WHITE	370036A	67089	VIC	68X90X10!	67157	VIC	4899	67267	VIC	3459
670118	WHITE	370349A	67089	VIC	712108	67158	VIC	225673	67272	VIC	1015N
670142	ALLCH	473214!	67090	VIC	90X125X12	67159	VIC	1993	67273	VIC	710259
670186	ALLCH	417349	67091	VIC	120X145X12!	67160	VIC	710076	67274	VIC	226820
67028	VIC	225082	67091	VIC	231204	67161	VIC	225410	67277	VIC	710217
67029	VIC	1205	67092	VIC	110X140X12!	67162	VIC	1174	67278	VIC	710094
67029	VIC	1205N	67092	VIC	231108	67163	VIC	1928	6727LA	JN-MN	473238
6702955	GMC	471472!	67093	VIC	717006	67164	VIC	224870	6728	C-R	17X27X7
6702R	JN-MN	417780	67094	VIC	140X170X15!	67166	VIC	221922	67283	VIC	710127
6703077	GMC	417343=	67094	VIC	231405	67171	VIC	225275	67285	VIC	710125
6703154	GMC	415995!	67095	VIC	100X130X12!	67172	VIC	225678	67286	VIC	710108
6703159	EUCLD	471224!	67096	VIC	140X160X13!	67173	VIC	226150	67288	VIC	710107
6703159	GMC	471224!	67096	VIC	231402	67174	VIC	710175	67289	VIC	710178
67032	VIC	712008	67098	VIC	474230	67175	VIC	710168	6728LA	JN-MN	50419
67033	VIC	1216	67099	VIC	717004	67176	VIC	710192	6729	C-R	17X27X7
67033	VIC	1216N	671	C-R	5MR1300	67177	VIC	1953	67290	VIC	1177
67035	VIC	1215	67100	VIC	710090	671789	GMC	730034	67291	VIC	224872
67035	VIC	1215N	67101	VIC	710085	67179	VIC	1971	67292	VIC	224874
67036	VIC	2011	67102	VIC	710086	67180	VIC	710194	67292195	BUC-E	470059
67037	VIC	1216	67103	VIC	710088	67181	VIC	1974	67292195	BUC-E	470380!
67037	VIC	1216N	67104	VIC	712003	67184	VIC	221510	67293	VIC	16X24X6
67039	VIC	221620	67104	VIC	717004	67186	VIC	710228	67299	VIC	224820
67040	VIC	222830	67105	VIC	710376	67187	VIC	1974	67301	VIC	223010
67041	VIC	222742	67106	VIC	120X150X12!	67188	VIC	224462	673013R91	IH	417343!
67042	VIC	710157	67106	VIC	231206	67189	VIC	710230	67308	VIC	710114
67043	VIC	710110	67107	VIC	710089	67190	VIC	225650	6730LA	JN-MN	416888!
67044	VIC	224200	67108	VIC	710374	67191	VIC	710228	67321	VIC	710195
67045	VIC	710314	671084	GMC	472394	67192	VIC	225673	67322	VIC	2011
67046	VIC	224026	67109	VIC	717005	67193	VIC	471267!	67331	VIC	225110
67047	VIC	224026	6710SS	JN-MN	471646!	67194	VIC	710226	67334	VIC	413818
67047	VIC	710300	6711	SPG	205004	67195	VIC	710253	67335	VIC	710141
67047	VIC	712551 *	67110	VIC	225225	67198	VIC	710109	67336	VIC	1176
67048	VIC	1990	67110	VIC	52X70X8!	6719LA	JN-MN	415072	67337	VIC	4898
67049	VIC	2655	671101	GMC	473205	6720	C-R	3667	67339	VIC	710140
6704SS	JN-MN	471076	67111	VIC	224015 *	67200	VIC	1012	67340	VIC	223440
67052	VIC	223843	67111	VIC	224052 *	67201	VIC	223552	67345	VIC	34X52X8
67053	VIC	224045	67111	VIC	710308	67204	VIC	224254	673467	GMC	730149

! Industrial Size/Type * Minor Width Difference

= The U.S. customer service number is 877-4-TIMKEN. The Canadian customer service numbers are 800-565-4927 (English) and 800-565-0438 (French-Canadian).

Mfr. No.	Name	Zero Duplication or Recommended Industrial	Mfr. No.	Name	Zero Duplication or Recommended Industrial	Mfr. No.	Name	Zero Duplication or Recommended Industrial	Mfr. No.	Name	Zero Duplication or Recommended Industrial
673468	GMC	HU149A	674D-641-H16	BENDI	416666	6755LA	JN-MN	471688 *	6775628	GMC	415991!
67347	VIC	710124	675007R91	IH	450326	6755LPD	JN-MN	471688	677566	GMC	412119
673472	BENDI	471354!	675008R91	IH	470565 =	67560	VIC	710088	6775LA	JN-MN	471705! *
67351	VIC	223462	675009R91	IH	415389	6757	C-R	710344	6776197	GMC	415073H =
67353	VIC	224040	6750156	GMC	416107!	6757264	GMC	471760	6776197	SPICE	416107!
67356	VIC	710286	6750156	GMC	455073	6757463	GMC	416107!	6778	EATON	5MR71
67359	VIC	224520	6750157	GMC	415192N	6757463	GMC	455073	6778050	GMC	415988
67360	VIC	710115	6750231	GMC	415437	6757751	GMC	416229	677812	CATER	472299 =
673600	GMC	473447	6750268	GMC	415041 =	67580	VIC	25X62X10	677812	TMTR	472299
67366	VIC	223845	67504	VIC	45X70X10	675861C1	IH	JX1747	67790C2	IH	480630!
67367	VIC	710122	6750415	GMC	415146!	675861C2	IH	JX1747	677917R91	IH	471798 =
67368	VIC	710139	6750415	GMC	415991	675896	CLARK	455330!	67806TA	TRSCM	416362
67370	VIC	40X72X7	6750426	GMC	471466!	6758LA	JN-MN	471272!	6782	C-R	471538!
67371	VIC	224252	67505	VIC	224045	6759	C-R	471529	678270	FLXIB	473215!
67374	VIC	224010	67507	VIC	223840	6759135	GMC	415991	678270	GMC	473215!
67378	VIC	710305	675097R91	IH	471554!	6759135	GMC	455146!	6783	C-R	471538!
6738	C-R	471529	6751	C-R	471538	67598	VIC	TCS45870	6785	C-R	471538
67381	VIC	710357	6751056	GMC	240736	675H516	C-R	416107!	678526C1	IH	5228 * =
67383	VIC	225030	67512	VIC	224510	675H516	C-R	455073	678527C1	IH	5199 * =
673833R91	IH	473454	67515	C-R	415327 *	675W516	C-R	416107!	6786LA	JN-MN	450776!
673834R91	IH	472397!	675162R1	IH	JV1179 =	675W516	C-R	455073	678805	GMC	473010
673835R91	IH	415449!	675168R91	IH	200855	676-D2	REO	370057A	678D5	WHITE	473231!
67385	VIC	710071	67518	VIC	223400	6760	C-R	471529	679-D2	REO	370007A
67386	VIC	226018	6751818	GMC	471341!	676031C91	IH	5629	679001	GMC	370008A
67387	VIC	710169	67519	VIC	710305	676032R91	IH	472924!	679002	GMC	370008A
67388	VIC	710144	6752035	GMC	471526!	676141	ALLCH	JX1190	679007	GMC	370012A
67390	VIC	710400	67521	VIC	710266	676168M1	MASSE	473214	679008	GMC	370012A
67393	VIC	65X80X8	6752372	GMC	415138!	676169M1	MASSE	471766!	6796LA	JN-MN	416666
67397	VIC	710156	6752373	GMC	416107!	676182M1	MASSE	470950!	679752	CHRY	471827
67398	VIC	2027	6752373	GMC	455073	676182M1	MASSE	6241S	6797LA	JN-MN	415072 *
673983	ALLCH	415349 =	67524	VIC	60X75X8!	6761LA	JN-MN	410496!	67980	ALLCH	50501
674-D2	REO	370001A	675242	WHITE	415458!	6762	C-R	474261 *	6798LA	JN-MN	417562
6740	C-R	471529 *	67525	C-R	415327 *	6762841	GMC	471442!	679918	GMC	417480!
67400	VIC	3816	6752S	NATL	412473!	6763	C-R	474261	679939	GMC	415023
67402	VIC	221540	67530	C-R	415327	67631C1	IH	473232!	67X1048	GARLK	472572!
67403	VIC	221720	67533	C-R	417596	6764LA	JN-MN	55357	67X1051	GARLK	473179!
67404	VIC	16X24X6	675334	CATER	415447	6765	C-R	471538!	67X1057	GARLK	473238
67405	VIC	221610	675346	GMC	417507	676593	GMC	252277	67X1063	GARLK	473239!
67406	VIC	222535	6753849	GMC	417350!	676595	GMC	472015	67X1099	GARLK	471529
67408	VIC	222430	67543	VIC	710155	6765R	JN-MN	417211!	67X111	GARLK	471538!
67409	VIC	222025!	67544	VIC	222410	6766	C-R	471538! *	67X113	GARLK	471553!
6741	C-R	471529	675442	GMC	472015	6767	C-R	471538!	67X115	GARLK	471579
67410	VIC	222050	675443	GMC	3893V!	67675R92	IH	6532S =	67X1186	GARLK	471870!
674105	ROCKW	455858	675443	GMC	415379!	6768	C-R	471538V	67X1189	GARLK	472492!
674105	WHITE	455858	67547	VIC	225460	6768417	GMC	311189N =	67X1198	GARLK	472924!
67411	VIC	20X35X7!	675473	ALLCH	410930 =	6768481	GMC	415138!	67X1204	GARLK	472937!
674176C91	IH	452872 =	6754947	GMC	415988	676852R91	IH	413248	67X1321	GARLK	470898 =
674237	GMC	370007A	6755	C-R	417542	6769	C-R	471538V	67X1324	GARLK	473467
67424	VIC	20X35X7!	6755	FULLE	417082	676910	GMC	50631	67X1327	GARLK	472015!
67427	VIC	223215	6755	SPG	416892	67696R91	IH	415060	67X143	GARLK	471567!
67428	VIC	1170	67550	C-R	417596	67696R91	IH	455060	67X147	GARLK	471643!
6743	C-R	471529	67551	C-R	417596	676T5	WHITE	471224!	67X1471	GARLK	471341!
67430	VIC	710123	675512	C-R	417554!	677	C-R	5M643	67X1474	GARLK	471272!
67431	VIC	710118	675514	C-R	55357	677039X91	IH	476470 =	67X1492	GARLK	472636!
67432	VIC	1213N	675516	C-R	416107!	6771231	GMC	415995!	67X1504	GARLK	411376!
67434	VIC	710208	675516	C-R	455073	677188	ALLCH	471787!	67X151	GARLK	450033
67435	VIC	710126	675516	CABOT	416107!	6771984	GMC	416426N =	67X153	GARLK	470390
67438	VIC	710260	675516	CABOT	455073	6771SS	JN-MN	471705!	67X159	GARLK	481443!
6743LA	JN-MN	417536	675516	MINMA	416107!	6772050	GMC	471554!	67X161	GARLK	481568!
67441	VIC	710173	675516	MINMA	455073	6772890	GMC	415991 =	67X1639	GARLK	473474
67442	VIC	710239	675516M1	BUC-E	416107!	6773186	EUCLD	415192N	67X1654	GARLK	413246
67448	VIC	710240	675516M1	BUC-E	455073	6773186	GMC	415192N	67X1666	GARLK	416271!
67451	VIC	710256	675516M1	C-R	416107!	6773201	GMC	471224!	67X1669	GARLK	412861
67452	VIC	710255	675516M1	C-R	455073	6773249	GMC	472179	67X1801	GARLK	472029
67482	VIC	35X48X8!	67551WK	SUL	416107!	6773311	GMC	476424N	67X1807	GARLK	471271!
67486	VIC	224850	67551WK	SUL	455073	6773466	GMC	415988 =	67X1822	GARLK	415001!
67487	VIC	710343	675524	C-R	417362!	67738	DENCO	415995!	67X1828	GARLK	455079!
6749	C-R	471529	675528	C-R	55392 =	67742	DENCO	470898!	67X1834	GARLK	455655!
67491	VIC	1037	67554	CINMI	472016	6774SH	JN-MN	474265	67X2035	GARLK	416664!
67497	VIC	223805	67557	C-R	416008	6775412	GMC	470712!	67X2038	GARLK	417484!
6749LA	JN-MN	476470	67558	C-R	417549!	6775516	GMC	415088 =	67X2041	GARLK	415984!
674D-641-H12	BENDI	415034!	6755898	GMC	412119	6775628	GMC	415991	67X2050	GARLK	416706!

! Industrial Size/Type * Minor Width Difference

= The U.S. customer service number is 877-4-TIMKEN. The Canadian customer service numbers are 800-565-4927 (English) and 800-565-0438 (French-Canadian).

NUMERICAL INTERCHANGE

Zero Duplication or Recommended Industrial		Zero Duplication or Recommended Industrial		Zero Duplication or Recommended Industrial		Zero Duplication or Recommended Industrial					
Mfr. No.	Name	Mfr. No.	Name	Mfr. No.	Name	Mfr. No.	Name				
67X213	GARLK	471267!	681175	FORD	416738!	68621	DENCO	415995!	6882LA	JN-MN	471870!
67X215	GARLK	471570!	681175	FORD	450096	6862LA	JN-MN	416364!	6882S	SPG	6966S
67X2168	GARLK	471349	681278-R1	IH	733067	6862LPD	JN-MN	416364!	6883697	GMC	417316!
67X217	GARLK	471633!	68130R91	IH	472015!	6862S	SPG	417210!	6883LA	JN-MN	413248
67X2174	GARLK	415995!	681323	CHRY	474264	68630022	WITTE	240119	6883S	SPG	6241S
67X2174	GARLK	415995!	6814	C-R	471553!	68630031	WITTE	450536N=	6884S	SPG	3103!
67X219	GARLK	471646!	6814LA	JN-MN	415021	68630039	WITTE	474253=	6885	C-R	417543
67X225	GARLK	471730	6815	C-R	471553!	68630061	WITTE	471750!	688520	C-R	417556
67X269	GARLK	451583!	681596	GMC	417159	68630150	WITTE	472179	688520	MINMA	417556
67X273	GARLK	471648	6816	C-R	471553!	68630201	WITTE	472924!	688520M1	C-R	417556
67X275	GARLK	471688	681639	GMC	50501	68630211	WITTE	472012	6885A	C-R	410987!
67X287	GARLK	471224!	681675	GMC	470334!	68630220	WITTE	470898	68903	DENCO	471192
67X291	GARLK	471649!	68187	CATER	471735	68630270	WITTE	411245!	68904	DENCO	413247!
67X293	GARLK	471689!	6818LA	JN-MN	415027	68630301	WITTE	416273!	6894S	SPG	415449!
67X295	GARLK	450593!	6818LA	JN-MN	415027!	68630373	WITTE	417349	6895R	JN-MN	417158!
67X297	GARLK	471733	6819970046	FREIG	370023A	68630374	WITTE	416654	68988	DENCO	470898!
67X301	GARLK	471760	6822	SPG	472572!	68630380	WITTE	415995!	68989	DENCO	471766!
67X303	GARLK	471619!	68224	ALLCH	474276!	68630509	WITTE	415697!	6899C	DIA	6532S=
67X351	GARLK	471652	68224	KEN	474276!	68630509	WITTE	455547	6899F	DIA	5951
67X353	GARLK	471692!	682805R91	IH	472394	68630673	GA-WO	415725!	6899H	DIA	417171!
67X355	GARLK	476838!	682809	GMC	415137!	68630783	GA-WO	417365	68AB1190AA	FORD	3395!
67X359	GARLK	471763	682809	GMC	418028	68630983	GA-WO	415090	68GG7048A1A	FORD	2503
67X361	GARLK	471785!	6828S	NATL	473229	68633	NATL	50199S!	68GG7048A1A	FORD	2503N
67X4584	GARLK	473197	6830097	GMC	472164=	6864S	NATL	417505	68X100X10AN	ISP	68X100X10
67X51	GARLK	471526!	6830097	GMC	472164!	68666	CATER	471267!	68X100X13SC	TRSCM	68X100X13
67X53	GARLK	471472!	6830153	GMC	471766 * =	6869LA	JN-MN	415988 *	68X100X13TC	TRSCM	68X100X13
67X535	GARLK	470774!	6831418	GMC	472015=	6869LUP	JN-MN	415988	68X109	GARLK	471529
67X541	GARLK	471192	6831A	C-R	472185!	6869S	SPG	370005A	68X111	GARLK	471538!
67X544	GARLK	473214!	683225R91	IH	5408 \$	68717	AM WH	473010	68X113	GARLK	471553!
67X547	GARLK	473215!	683226R91	IH	5408	6871LA	JN-MN	417496 *	68X115	GARLK	471579
67X55	GARLK	471549!	68328	AM WH	416339	6871LUP	JN-MN	417496	68X1324	GARLK	473467
67X556	GARLK	471835!	68328	AM WH	455031!	68720	C-R	455948	68X143	GARLK	471567!
67X643	GARLK	470625!	6833271	GMC	415027	6872LA	JN-MN	415379	68X147	GARLK	471643!
67X646	GARLK	470059	683334R91	IH	472492!	6872LA	JN-MN	415379!	68X151	GARLK	450033
67X646	GARLK	470380!	683380	GMC	416706	6872LPD	JN-MN	415379	68X153	GARLK	470390
67X655	GARLK	473228	6834909	GMC	472397=	6872LPD	JN-MN	415379!	68X159	GARLK	481443!
67X658	GARLK	451857	6834S	SPG	455037	68745	C-R	455584 *	68X161	GARLK	481568!
67X664	GARLK	473440!	683523	GMC	6808N	6874A	HERCU	473232	68X215	GARLK	471570!
67X67	GARLK	471281!	683590	GMC	370008A	6874S	SPG	473234!	68X217	GARLK	471633!
67X69	GARLK	471535!	683591	GMC	417506	68750	C-R	455584	68X219	GARLK	471646!
67X700	GARLK	472213	6836	C-R	471553!	68751	C-R	455584	68X225	GARLK	471730
67X71	GARLK	471551!	6836LA	JN-MN	472213	6875LA	JN-MN	416239!	68X229	GARLK	451583!
67X87	GARLK	471466!	6836LUP	JN-MN	472213	6875S	SPG	471827	68X273	GARLK	471648
67X898	GARLK	471504!	6837	C-R	471553!	687686	CHRY	470354	68X275	GARLK	471688
67X904	GARLK	472164!	6837288	GMC	454136N	6876LA	JN-MN	416865!	68X291	GARLK	471649!
67X91	GARLK	471255!	6838378	RCA	240435	687707C91	IH	416404	68X297	GARLK	471733
67X913	GARLK	472179	6838600	GMC	417495	68775	DENCO	416149	68X301	GARLK	471760
67X922	GARLK	471141!	6840	SPG	6840S	687758	SPERY	471649!	68X51	GARLK	471526!
67X925	GARLK	473448	6840LA	JN-MN	417597	687803C91	IH	416404	68X53	GARLK	471472!
67X928	GARLK	471984	6840LPD	JN-MN	417597	6878S	SPG	473367!	68X55	GARLK	471549!
67X93	GARLK	471564	6840LUP	JN-MN	417597	6878S	SPG	473367	68X69	GARLK	471535!
680090C1	IH	JX1831=	6841	SPG	6985	6879	C-R	471553!	68X71	GARLK	471551!
6800LA	JN-MN	471647	684164	GMC	473473	687900	IH	416557	68X85X8AN	ISP	68X85X8
6800LPD	JN-MN	471647	6841STLPD	JN-MN	509503=	6879H	NATL	453066	68X87	GARLK	471466!
6800S	NATL	471466!	6842S	SPG	7600S	6879LA	JN-MN	473475	68X90X10SC	TRSCM	68X90X10
68016	C-R	JV753	68433DM	IH	350435	6879LPD	JN-MN	473475	68X90X10TC	TRSCM	68X90X10
68016	DENCO	415138!	6845	NATL	413469!	687W837	CONE	5538	68X90X8	ISP	68X90X7*
6801S	SPG	471264!	684783	CATER	470898	6880	C-R	471553!	68X91	GARLK	471255!
680273R91	IH	370007A	684806	ALLCH	416364!	68800	C-R	175X200X15*	68X93	GARLK	471564
68029	VIC	453066!	6848R	JN-MN	474274	688019	GMC	487397N*	68X95X10	ISP	68X95X10
68029	VIC	470898	68509	DENCO	471958	688032	GMC	J1109	690080800	EATON	470565=
6802S	SPG	481443!	6850LA	JN-MN	473228	688033	GMC	J1113*	690097	EATON	416404=
680392	GMC	417505	6851LA	JN-MN	471553!	688034	GMC	413470!	6900997	EATON	416404=
6806	C-R	471538!	685215	GMC	370003A	688035	GMC	413246	6902001	ARMCO	J1141
680622	ALLCH	470596	685262	GMC	471271!	688061	GMC	370005A	6902014	EATON	417484
6807	C-R	471538	68532R91	IH	5406	688080	GMC	5161=	69020R91	GMC	415085!
6808	SPG	6808N	68536R91	IH	415960	688131	US-EL	473203	69020R91	GMC	456648
680842C91	IH	482126	685555	GMC	473231	68819	DENCO	410987!	69028	HYST	411376!
680862C1	IH	JX1505=	6855W	DIA	473473	68819	DENCO	450686	6903A	C-R	416956
6808LA	JN-MN	417501	68599	BOSTN	250437V	6882	C-R	471553!	690764	GMC	415027
680954	ALLCH	471344	6860S	NATL	410496!	688282	GMC	JV1837	690807	SPERY	417562
68097	DENCO	470898!	6861S	NATL	471267!	688283	GMC	JV1836=	69084	ALLCH	450104

! Industrial Size/Type *Minor Width Difference \$F-M Number Is Part Of A Kit
 =The U.S. customer service number is 877-4-TIMKEN. The Canadian customer service numbers are 800-565-4927 (English) and 800-565-0438 (French-Canadian).

Mfr. No.	Name	Zero Duplication or Recommended Industrial	Mfr. No.	Name	Zero Duplication or Recommended Industrial	Mfr. No.	Name	Zero Duplication or Recommended Industrial	Mfr. No.	Name	Zero Duplication or Recommended Industrial
69102S	TROS	8974S	69599K	TRISL	370037A	6B1073	CATER	480630!	6V8407	CATER	495782
69139	CUMMI	473224!	69599K	TRISL	370338A	6B1156	CATER	475384	6V9748	CATER	472653!
69139C1	IH	473462*	69623	BOSTN	8597S	6B1157	CATER	450533	6X16X5AN(35)	ISP	6X16X5
691631C91	IH	5624	69628K	TRISL	AR12+370033A	6B1310	CATER	474265	6X16X7	SIMRT	6X16X7
691666	WHITE	471267!	6962S	SPG	3103!	6B14538	FORD	471442!	6X16X7SC	TRSCM	6X16X7
6916LPD	JN-MN	417563	69634H	IH	473238	6B1890	CATER	455144	6X16X7TC	TRSCM	6X16X7
6920	C-R	471553!	6964	C-R	471579	6B203745	FWD	50075=	6X176	CATER	455079* =
69215	AM WH	473016!	69647	BOSTN	450621	6B2576	CATER	473227	6X22X7	FORSH	6X22X7!
6924A	JOY	415960	6965	C-R	471579	6B2789	CATER	471224!	6X22X7SC	TRSCM	6X22X7!
6924LA	JN-MN	415001!	69656	CUMMI	473224!	6B305	ALLCH	416888!	6X22X7TC	TRSCM	6X22X7!
6926	JOY	476470	69687K	TRISL	370002A	6B3526	CATER	450040	6X5221K	JOHND	6575S
692612	GMC	350435	69688K	TRISL	370002A	6B3679	CATER	474276!*	7	BL-KN	416865!
6927	JOY	415001!	69689K	TRISL	AR4+370011A	6B5333	CATER	473238	7-19	TW-CO	473010
6928	JOY	417316!	69690K	TRISL	370007A	6B8238	CATER	471255!	7-219384	BUC-E	55193=
69290	CATER	473237!	69691K	TRISL	370015A	6B9040	CATER	472015!	7-AX302	OLIVE	471271!
69290	TMTR	473237!	69692K	TRISL	370124A	6B9130	CATER	471787!	7-Y1039	KEN	473215!
692956	GMC	410102	69693K	TRISL	370012A	6B9669	CATER	472185!	70-1-263	TRMBL	733067
69307R91	IH	415437	69695K	TRISL	370054A	6BD273	IH	415449!	700	UNIVE	416239!
69307R91	IH	415437!	69696K	TRISL	370131A	6BX6700	FORD	471787	700-1-260	TRMBL	370036A
69319	C-R	455592	69698K	TRISL	AR10+370020A	6D1707	CATER	455031N=	700-1-260	TRMBL	370349A
6932LA	JN-MN	471567!	69699K	TRISL	370001A	6EQX4676	FORD	412119	700-1-260C	TRMBL	733067
6932LPD	JN-MN	471567!	69709AB	CASE	415138!	6F1011	MTR-C	343185	700-1-260D	TRMBL	HU013A
693323R91	IH	415960	697119R91	IH	416865!	6F4855	CATER	411	700-1-260E	TRMBL	HU009A
6934	C-R	471579*	6973	SPG	205017	6F5365	CATER	55276=	700-1-260L	TRMBL	370036A
693463-1	SPICE	473228	69740	BR-ST	474255	6F5559	CATER	408	700-1-260L	TRMBL	370349A
6935	C-R	471579*	69743K	TRISL	370106A	6F5772	CATER	470712!	700-1-260T	TRMBL	370036A
6935LA	JN-MN	417247!	697494R91	IH	240731	6F848	CATER	450412	700-1-260T	TRMBL	370349A
6935LPD	JN-MN	417247!	6975LA	JN-MN	416476!	6H3580	CATER	411500	700-1-261B	TRMBL	AR10+370020A
69367C1	IH	417159	697632	GMC	370120A	6H3955	CATER	472164!	700-1-261C	TRMBL	730009
6936LA	JN-MN	473238!	69780K	TRISL	370057A	6H399	CATER	416956	700-1-261D	TRMBL	HU019A
6936LPD	JN-MN	473238!	69781K	TRISL	370069A	6H3999	CATER	416956	7000	C-R	18X30X7!
6939	FULLE	472572!	69781K	TRISL	380069A	6H7049	CATER	476470!	7000	C-R	221820
6939	NATL	9568	69782K	TRISL	370121A	6IO-C1019	REX	471271!	7000	C-R	3816
6941LA	JN-MN	455080*	69783K	TRISL	AR20+370004A	6J4169	CATER	710016	7000753	FORD	471870!
6942R	JN-MN	473242	69784K	TRISL	370007A	6J5232	CATER	416364!	700077	CLARK	416167!
6943	FULLE	410102	69785K	TRISL	370047A	6J5234	CASE	J1138	700120	CLARK	55539=
69437	ALLCH	471795	69786K	TRISL	415437	6J5234	CATER	J1138	7001575	FORD	415458!
694389	GMC	730024	69787K	TRISL	417506	6J5751	CATER	J1124	70016	C-R	416364!
69478R91	IH	417487	69788K	TRISL	415058	6J6553	CATER	710039	7002	C-R	1015N
6948S	SPG	471267!	69789K	TRISL	370006A	6J8578	CATER	455053H=	7002	C-R	18X28X6!
69510K	TRISL	370036A	6979	C-R	471579*	6K2430	CATER	416865!	70020	C-R	416364!
69510K	TRISL	370349A	69790K	TRISL	370036A	6K3159	CATER	417262!	70021	C-R	416364!
695137	CLARK	471504!	69790K	TRISL	370349A	6K4186	CATER	416294!	70025	C-R	417597
6951LPD	JN-MN	417608*	69791	CUMMI	474276!	6K9148	CATER	415683	70026	C-R	417597
6951S	SPG	7686S	69791K	TRISL	370021A	6L2305	CATER	470687	700263	WHITE	370001A
69520K	TRISL	370065A	69792K	TRISL	370019A	6L4237	CATER	472287!	700267	KOEK	472164!
695217	ALLCH	486923V=	69793K	TRISL	416892	6L4944	CATER	473232	70028	C-R	417597*
6953	NATL	44052	69794K	TRISL	370023A	6L4951	CATER	473224!	7003	C-R	710222
6953	WMG	44052	69795K	TRISL	370030A	6L5027	CATER	471766!	70030	C-R	417597
6954	C-R	471579*	69797K	TRISL	370019A	6L5124	CATER	470954!	70030504	FI-AL	471567!
6954	SPG	6954S	69798K	TRISL	370005A	6M029302	MACK	471516!	70032	C-R	417597
695410	CLARK	473463	69799K	TRISL	370003A	6M019303	MACK	471795	70033146	FI-AL	473238!
695463-2	SPICE	100495	698028	WHITE	370023A	6M029302	MACK	471516!	700331462	FI-AL	473238!
695463-2	SPICE	417349	698318R91	IH	471689!	6N0403	CATER	481552!	70034	AM WH	473449
695463-3	SPICE	455509	698444R91	IH	370036A	6N8853	CATER	3807	70034	C-R	417255
6954631	SPICE	471192	698444R91	NAVST	370349A	6V1603	CATER	340827	70037676	FI-AL	472924!
6955	C-R	471579*	698446R91	IH	470530!	6V1834	CATER	3802* =	7004	C-R	221820
69550	SHOV	471192	698447R91	IH	472179	6V1916	CATER	455117=	70040	C-R	416239!
6956	NATL	44053	698448R91	IH	415138!	6V3365	CATER	471466!*	70042641	FI-AL	471267
6956	WMG	44053	698449R91	IH	410496!	6V3382	CATER	473468	70043570	FI-AL	450273
6956R	JN-MN	472409!	698457R91	IH	416288	6V3828	CATER	471466*	70044120	FI-AL	474265
6957LA	JN-MN	416107!	69858	BR-ST	471760	6V3988	CATER	471267	70044741	FI-AL	471763
6957LA	JN-MN	455073	698764R1	IH	5M497	6V4253	CATER	471224!	70045	C-R	416239!
69589K	TRISL	370013A	698768	GMC	370037A	6V4427	CATER	471271!	70048703	FI-AL	415449!
69590K	TRISL	370002A	698768	GMC	370338A	6V5029	CATER	330385!*	70048720	FI-AL	471785!
69591K	TRISL	370029A	6988S	SPG	473459	6V5038	CATER	447793	7005	C-R	18X32X7
69594K	TRISL	AR2+370026A	6990	C-R	471642	6V5038	TMTR	447793	7005	C-R	18X32X8!
69596K	TRISL	370065A	6992	C-R	710251	6V5259	CATER	413246	7005	C-R	221830
69597K	TRISL	370036A	6994LA	JN-MN	55692=	6V5607	CATER	417621!	7005	SPG	6930
69597K	TRISL	370349A	69956	AM WH	471224!	6V6838	CATER	415303!	70050	C-R	416239!
69598K	TRISL	386025A	69GG4676A9B	FORD	2642	6V7196	CATER	416404!	70050420	TROS	370006A
69598K	TRISL	416158	6B1070	CATER	480630!	6V8146	CATER	200961	70051	C-R	416239!

! Industrial Size/Type * Minor Width Difference

= The U.S. customer service number is 877-4-TIMKEN. The Canadian customer service numbers are 800-565-4927 (English) and 800-565-0438 (French-Canadian).

NUMERICAL INTERCHANGE

Mfr. No.	Name	Zero Duplication or Recommended Industrial	Mfr. No.	Name	Zero Duplication or Recommended Industrial	Mfr. No.	Name	Zero Duplication or Recommended Industrial	Mfr. No.	Name	Zero Duplication or Recommended Industrial
70051145	FI-AL	417205!	701225	GMC	370021A	7028VGO	SPG	471554	70611763	FI-AL	415254
70052	C-R	416239!	701226	ACDEL	370005A	7029	SPG	370004A	70611765	FI-AL	415035!
70052115	FI-AL	417247!	701226	GMC	370005A	702VB7	MARI	416239!	70611765	FI-AL	415035
70052115	FIAT	417247!	701241A	ALLCH	471442!	703078	GMC	416273*	706153	GMC	481181!
70052176	FI-AL	415035	701241A	WAUKE	471442!	70313	CONCA	472572!	706155	GMC	410496=
700524	C-R	416666	7013	C-R	1015N	7031LUP	JN-MN	474265	706165	WILYS	416738!
700524	CABOT	416666	7013	JN-MN	370036A	7031S	SPG	473234!	706165	WILYS	450096
700524	GR-DV	416666	7013	JN-MN	370349A	7032LA	JN-MN	471705!	70618662	FI-AL	470954!
700524M1	C-R	416666	70140408	FI-AL	470530!	7032S	NATL	410059	70619888	FI-AL	472179
70052641	FI-AL	471267	701463-1	SPICE	415991	7032S	NATL	470380!	70619890	FI-AL	416891!
70052662	FI-AL	240735	701463-1	SPICE	455146!	7032S	SPG	410059	70619900	FI-AL	471138!
70053	C-R	416239!	701463-2	SPICE	417366!	7032S	SPG	470380!	7062	GARLK	240736
700532X20	TROS	370006A	7014LA	JN-MN	455032!	70337	ALLCH	481163!	70620784	FI-AL	473010
70053517	FI-AL	417205!	7015	C-R	18X35X7	7033LA	JN-MN	470625!	70620871	FI-AL	473231!
70053670	FI-AL	417316!	7015LA	JN-MN	455022	7033LUP	JN-MN	470625!	70623823	FI-AL	472636!
70053927	FI-AL	240733	7016	C-R	18X35X7	7034LA	JN-MN	470954!	70624650	FI-AL	451817
70054295	FI-AL	411394!	70164368	FI-AL	327303!	703591	FORD	323138!	70624653	FI-AL	411376!
70054815	TROS	416666	701663	GMC	730026	7036R	JN-MN	456105	70628274	FI-AL	411452=
70059947	FI-AL	470898	701679	GMC	370005A	7037S	SPG	9613S	70628357	FI-AL	415991
7006	C-R	18X32X7V!	70169	CUMMI	473016!	7037SS	JN-MN	350435	70628357	FI-AL	415991!
7006	C-R	710156	7016SS	JN-MN	350364	7038S	SPG	473234	70628485	FI-AL	415302
70060	C-R	416239!	70171	C-R	JV701	703D6	DIA	5406	70628724	FI-AL	411452*=
700603002	FI-AL	476838!	70173735	FI-AL	415991	703D6	WHITE	5406	70628823	FI-AL	472636!
70061	C-R	416239!	70179177	FI-AL	455655!	703VB7	MARI	415116	70628894	FI-AL	415379
70064302	FI-AL	473464!	70179643	FI-AL	415023	704	UNIVE	415116	70628940	FI-AL	476470!
70064302	FI-AL	473464	70179737	FI-AL	352541	70401179	FI-AL	472016!	70628940	FI-AL	476470
70066309	FI-AL	476470	7018	C-R	1015N	7040LA	JN-MN	472157!	70628941	FI-AL	415449!
70067913	FI-AL	471820	70180597	FI-AL	415027=	7040LA	JN-MN	472157	70629040	FI-AL	417316!
70067914	FI-AL	473214!	70180612	FI-AL	415683	7040LUP	JN-MN	472157	70629733	FI-AL	411178=
70068513	FI-AL	472144!	70181937	FI-AL	416865!	7040LUP	JN-MN	472157!	70632589	FI-AL	J1044=
7007	C-R	710154	70194679	FI-AL	476424N	7041S	SPG	370012A	70632608	FI-AL	471413
7007	JN-MN	416158	70196297	FI-AL	256616*=	7042LPD	JN-MN	417262!	70632611	FI-AL	416287N=
70073	CUMMI	417486	70196298	FI-AL	415142	7042LUP	JN-MN	417262!	70633630	FI-AL	473464!
70074961	FI-AL	412040	70196495	FI-AL	416339	7042S	NATL	416892!	70633630	FI-AL	473464
70074962	FI-AL	470898!	70196496	FI-AL	415867	70430-16A	KRSE	471870!	70634005	FI-AL	471765!
70075767	FI-AL	470898!	70198477	FI-AL	416282	7043014A	KRSE	471765!	70634037	FI-AL	417344!
70075978	FI-AL	471276	70198578	FI-AL	415234!	704303	GMC	370057A	70634519	FI-AL	417269!
70078329	FI-AL	471689!	70198908	FI-AL	415725!	7044139	FT-WA	473237!	70635778	FI-AL	415995!
70078593	FI-AL	416167!	701HA516	C-R	7006S	7044A	C-R	472287!	70643560	FI-AL	471267!
70079	C-R	416239!*	701M6700A1A	FORD	3394	7044N	SPG	7044NA	706463-1	SPICE	476470
70079276	FI-AL	6703S	702	UNIVE	416077	70462H	IH	472311!	70648620	FI-AL	416345!
70080	C-R	416239!*	7020	C-R	18X28X7V	704636	CLARK	455005	70648620	FI-AL	455033
70082179	FI-AL	200640	70218284	FI-AL	415960!	70463H	IH	323138!	70649266	FI-AL	415995!
70084	C-R	416239!	7021S	SPG	415995!	70464H	IH	474278!	7064S	NATL	472354!
70085	C-R	416239!*	7021S	SPG	415995!	70465H	IH	474276!	70650577	FI-AL	471529
700850	MICH	416239!	7022	AT SU	473317	70466H	IH	450400	70650760	FI-AL	471271*=
700850	UNIVE	416239!	7022	SPG	473317	7047LA	JN-MN	473224!	70651299	FI-AL	415483
700879	WHITE	HU034A	70227679	FI-AL	472299*=	704813	FORD	473234	70652662	FI-AL	240735
7008A	C-R	417356!	70229966	FI-AL	472185!	704862	UNIVE	416077	70654805	FI-AL	417355!
7008A	C-R	455188	7022LA	JN-MN	55199=	704863	MICH	416077	7065480501	FI-AL	417355!
7009	C-R	18X32X7	7023	C-R	221830	7048LPD	JN-MN	473233!	70655619	FI-AL	471192=
7009	C-R	18X32X8!	7023	JN-MN	370065A	704925	GMC	370003A	70657582	FI-AL	416921!
7009	C-R	221830	7023	JN-MN	376590A	704VB7	MARI	415116	70658114	FI-AL	415449
70090655	FI-AL	471224!	70234013	FI-AL	473245!	70506	AM WH	472397!	70658942	FI-AL	476470!
70096	C-R	417564	70235312	FI-AL	417344!	705216	GMC	473179	70664412	FI-AL	471507N=
70096761	FI-AL	472164!	70236065	FI-AL	471766!	70522	CUMMI	417621	70668033	FI-AL	340771
70097	C-R	417564	70241139	FI-AL	254287!	705339C1	IH	416071	70669846	FI-AL	413246
70099	C-R	415876	70241779	FI-AL	471192=	705362C1	IH	415023	70669847	FI-AL	471529
700E524	C-R	416666*	70241D	IH	471192	705399C1	IH	416071	70670186	FI-AL	417349
700W52-L	C-R	7378	70242D	IH	472439	7054LUP	JN-MN	470712!	70672497	FI-AL	455107N=
7010	C-R	331173	70243D	IH	473467	705762	GMC	370057A	70673983	FI-AL	415349*=
7010513A	HARWA	70X105X13	70244961	FI-AL	473215!	7057S	NATL	.3103!	70675473	FI-AL	410930=
70107	CUMMI	471765	70246926	FI-AL	472258	7057S	SPG	.3103!	70676141	FI-AL	JX1190
701077	WILYS	50402	70247100	FI-AL	200118=	7059A	C-R	417211!	706765	GMC	370030A
701115M1	MASSE	50266	70250849	FI-AL	JV1582=	705VB7	MARI	415551	70677188	FI-AL	471787!
701119	WILYS	5778	70250857	FI-AL	200851	7060	C-R	18X37X8	70680622	FI-AL	470596
7011LA	JN-MN	474254	70258D	IH	473238	70603007	FI-AL	471795	70684806	FI-AL	416364=
7011LUP	JN-MN	474254	70259D	IH	470059	70603010	FI-AL	471649*=	70684807	FI-AL	J1278*=
7012	C-R	221820	70259D	IH	470380!	70603462	FI-AL	473016!	70686015	FI-AL	2699*=
7012	JN-MN	370037A	7025A	C-R	55539=	70604973	FI-AL	416888!	70693957	FI-AL	416287V*=
7012	JN-MN	370338A	7027LA	JN-MN	415082*	70605093	FI-AL	450311	70695203	FI-AL	486985V=
701224	GMC	370019A	7028	C-R	18X35X8V	70611761	FI-AL	415035	70695217	FI-AL	486923V=

! Industrial Size/Type *Minor Width Difference

=The U.S. customer service number is 877-4-TIMKEN. The Canadian customer service numbers are 800-565-4927 (English) and 800-565-0438 (French-Canadian).

Zero Duplication or Recommended Industrial		Zero Duplication or Recommended Industrial		Zero Duplication or Recommended Industrial		Zero Duplication or Recommended Industrial		
Mfr. No.	Name	Mfr. No.	Name	Mfr. No.	Name	Mfr. No.	Name	
70695225	FI-AL	487250V!	70X105X13AN ISP	70X105X7*	7112LUP JN-MN	415645!	7146 C-R	50026*
70696317	FI-AL	415234!	70X110X10AN ISP	70X110X10	7113LA JN-MN	416891!	7146310 SPICE	412473!
70699928	FI-AL	471271!	70X85X8SC TRSCM	70X85X8	71143453 FI-AL	471341 *=	7146311 SPICE	415995!
706VB7	MARI	471224!	70X85X8TC TRSCM	70X85X8	711535 SPERY	473239!	7146312 SPICE	457291=
7070	C-R	18X38X7	70X88X12SC TRSCM	70X88X12	711664 WILYS	6489	7146313 SPICE	472164!
70703	ALLCH	240319	70X88X12TC TRSCM	70X88X12	711669 WILYS	6489	7146314 SPICE	412473!
707237	WILYS	340797	70X88X8SC TRSCM	70X88X8!	7116LA JN-MN	471224!	7146315 SPICE	417171!
70735242	FI-AL	415196=	70X88X8TC TRSCM	70X88X8!	7116LUP JN-MN	471224!	7146317 SPICE	471267!
7073553	ELGIN	370048A	70X90X10 ISP	70X90X7*	711780HB IH	472185!	7146319 SPICE	471646!
7073LA	JN-MN	473231	70X90X10SC TRSCM	70X90X10!	711818 C-R	722108	714632 SPICE	415995!
7073LUP	JN-MN	473231	70X90X10TC TRSCM	70X90X10!	711822 C-R	710044	7146325 SPICE	415995!
707414	WILYS	474278!	70X92X12SC TRSCM	70X92X12	712 UNIVE	455406!	7146326-1 SPICE	473242=
7074R	JN-MN	417211!	70X92X12TC TRSCM	70X92X12	712045 MIXMO	473459	714634 SPICE	417171!
707533-6	IH	J1128	70X95X10SC TRSCM	70X95X10	7122 C-R	50405	714635 SPICE	415137!
70761	CUMMI	470954!	70X95X10TC TRSCM	70X95X10	712397 GMC	473464	714635 SPICE	418028
7076270	WHITE	370001A	70X95X13SC TRSCM	70X95X13	712397 GMC	473464!	714636 SPICE	417171!
707821	WILYS	471827	70X95X13TC TRSCM	70X95X13	7124 C-R	470506!	714637 SPICE	418028
707943	MIXMO	474278!	71 WGEAR	415984!	71245 C-R	416077	714637 SPICE	455137!
707963	MIXMO	6597S	71-0008 MCCOR	408	7125 C-R	470506!	714639 SPICE	470059
707973	WILYS	472560N!	71-0014 MCCOR	414	71250 C-R	416077	714639 SPICE	470380!
7079LA	JN-MN	470954!	71-0020 MCCOR	420	71251 C-R	416077	7146LPD JN-MN	415379
707VB7	MARI	455121	71-0021 MCCOR	421	7126 C-R	470506!	7146LPD JN-MN	415379!
708	UNIVE	415551	71-0022 MCCOR	422	712831 GMC	417506	7146LUP JN-MN	415379!
7080	C-R	18X40X7	71-0024 MCCOR	424	712832 GMC	370012A	7146LUP JN-MN	415379
70805	C-R	180X210X15	71-0025 MCCOR	425RR	712833 GMC	418028	714702 WHITE	370036A
7081	C-R	18X40X7V	71-0027 MCCOR	427RR	712834 GMC	417505	714702 WHITE	370349A
7082	C-R	18X40X7	71-0028 MCCOR	428RR	712887 UNIVE	455117	71489 C-P	330385
70826TA	TRSCM	417597	71-0029 MCCOR	429RR	7128LA JN-MN	417316!	715000 NATL	39801
70842	CUMMI	411	710 UNIVE	417598	7128LUP JN-MN	417316!	7151 C-R	50026*
708463-1	SPICE	473215!	710001 NATL	710800	712998 GMC	5188!	71524C91 IH	416380!
708510	GMC	413470	710002 NATL	710925	712999 GMC	5189	715506 GMC	370015A
708511	GMC	413246	710003 NATL	711000	7129S SPG	6575S	71558 CROWN	472311!
708551	MIXMO	5751	710004 NATL	711200	7130 C-R	470506!	7156 C-R	50026
708556	MIXMO	471192	710009 CLARK	416154!	7130LA JN-MN	415036	7157 C-R	50026
70855610	TROS	416476!	710033 NATL	710027	7131 C-R	470506!	715707 WHITE	470530!
708558	MIXMO	450084!	71003344 FI-AL	415145N=	7131R JN-MN	470898	715767 WHITE	470530!
708559	MIXMO	473215!	71004911 FI-AL	471267!	713250 NATL	5609	7158RPD JN-MN	471466!
708566	MIXMO	473467	710050 NATL	712011	713256 WHITE	474278!	71597C91 IH	452222!
70856TA	TRSCM	416239!	71005117 FI-AL	412861	713273 WHITE	5406	7160 ALLCH	472924!
708573	MIXMO	474274	710054 NATL	3622	713290 WHITE	412119	7160 C-R	240027=
708575	MIXMO	410308!	710055 TW-CO	472164!	713416 C-R	55539=	7160 TRAC	472924!
708583	MIXMO	352541	710063 NATL	4143	713463-1 SPICE	472179	7165RPD JN-MN	415066
708590	MIXMO	415041	710064 NATL	225220	713518 C-R	55358=	716689 WHITE	476470!
708600	MIXMO	415483!	71006864 FI-AL	415196=	713528 BUC-E	416476!	716689 WHITE	476470
708606	MIXMO	415437	710071000 JA-HE	416666	713528 C-R	416476!	7166RPD JN-MN	415036
708612	MIXMO	450177	71010409 FI-AL	456967N=	713528 GR-DV	55078S	716761 WHITE	415060
708643	GMC	416297	710148 WILYS	416738!	713528 MINMA	416476!	716761 WHITE	455060
708725	GMC	471267!	710148 WILYS	450096	713528M1 C-R	416476!	716888 WHITE	416654!
708790	GMC	418028	710358 NATL	473231	71364 C-R	455330!	71690 ALLCH	40438S
708790	GMC	455137!	710360 GMC	370019A	71364M1 C-R	455330!	716900 UNIVE	415551
7087A	C-R	471255!	710463-1 SPICE	472636!	713750 NATL	2377	716901 MICH	415551
7087R	JN-MN	415219	710536 GMC	418028	713777 SPICE	J1063=	71696C1 IH	415458!
708875	MICH	415116	710695 CLARK	455026	7138A C-R	471442!	71697C1 IH	473467
708875	UNIVE	415116	7107 SPG	7107A=	71390 VICK	471821!	71700 ALLCH	45013S
7089	C-R	710412	7107LA JN-MN	415066 *	713938 WHITE	472636!	717003 NATL	417967!
70894	CUMMI	472164	710802 CLARK	416888!	713B528 C-R	416476!	71719C1 IH	471835!
709204	AVCO	473204=	710805 CLARK	415437	713BMM528 C-R	416476! *	717410 WHITE	415991
70927023	FI-AL	473459	710805 CLARK	415437!	714 UNIVE	455121	717410 WHITE	415991!
70927283	FI-AL	417474	7108LA JN-MN	55224=	71406 BOSTN	450536	717703 WHITE	476470!
70928058	FI-AL	417247!	710939 WILYS	416738!	71406 BOSTN	471535!	717703 WHITE	476470
70928436	FI-AL	415854	710939 WILYS	450096	714260 GMC	470712!	7179S SPG	418028
709446	MIXMO	417967!	710983 CLARK	416865!	714400 GMC	222510	7180LPD JN-MN	415482
7097A	C-R	473444	710984 CLARK	417134	714400 GMC	25X35X7!	7180LUP JN-MN	415482
709840C1	IH	417172	710985 CLARK	415150!	7144A C-R	473016!	718130 WHITE	410308!
709928	GMC	471570!	7109LA JN-MN	40769S	7144LPD JN-MN	417539! *	718170 WHITE	415085!
709VB7	GR-DV	416364!	71102 AM WH	474264	714550 WHITE	471554!	718170 WHITE	456648
70HM6700A1A	FORD	2012V	711035 WOOL	416865!	714558 NATL	4795V	718214 WHITE	410987!
70X100X10ASN	ISP	70X100X10	7110LA JN-MN	415458!	714559 NATL	4795V	718302 WHITE	450065
70X100X13SC	TRSCM	70X100X13	7110LUP JN-MN	415458!	714579C1 IH	JX1190	71855C1 IH	416921!
70X100X13TC	TRSCM	70X100X13	7112 FULLE	471686	714599 WHITE	417484!	718657 WHITE	415997!
70X105X13	SIMRT	70X105X13	7112LA JN-MN	415645!	7145LPD JN-MN	416892! *	718657 WHITE	455547
70X105X13AN	ISP	70X105X13	7112LA JN-MN	455104	7145LUP JN-MN	416892!	7186LPD JN-MN	416107!

! Industrial Size/Type * Minor Width Difference

= The U.S. customer service number is 877-4-TIMKEN. The Canadian customer service numbers are 800-565-4927 (English) and 800-565-0438 (French-Canadian).

NUMERICAL INTERCHANGE

Zero Duplication or Recommended Industrial		Zero Duplication or Recommended Industrial		Zero Duplication or Recommended Industrial		Zero Duplication or Recommended Industrial	
Mfr. No.	Name	Mfr. No.	Name	Mfr. No.	Name	Mfr. No.	Name
7186LPD	JN-MN	455073	72-063350	BUC-E	441130	72-10125M	BUC-E
7186LUP	JN-MN	416107!	72-063400	BUC-E	471224	72-101499	BUC-E
7186LUP	JN-MN	455073	72-06340N	BUC-E	471224	72-101499	BUC-E
718770	WHITE	410737!	72-063415	BUC-E	471224!	72-101500	BUC-E
718773	WHITE	470565!	72-063550	BUC-E	472560N	72-101500	BUC-E
7187LPD	JN-MN	472157	72-063600	BUC-E	473380	72-101505	BUC-E
7187LUP	JN-MN	472157!	72-06385	BUC-E	471689!	72-101505	BUC-E
7187LUP	JN-MN	472157!	72-063850	BUC-E	471689!	72-10150VE	BUC-E
7187LUP	JN-MN	472157	72-064350	BUC-E	472258!	72-10150VE	BUC-E
71884A	MC-CL	470954!	72-064500	BUC-E	240319	72-104110	BUC-E
718895	SPERY	415035=	72-06471	NORDG	416706!	72-104110	BUC-E
719021	C-R	357	72-064980	BUC-E	42352S	72-10412	BUC-E
7190LPD	JN-MN	476470	72-065660	BUC-E	473215!	72-10412	BUC-E
7190LUP	JN-MN	476470	72-066000	BUC-E	6966S	72-104120	BUC-E
71910C1	IH	473010!	72-06650V	BUC-E	473228!	72-104120	BUC-E
71915	VICK	417316!	72-066550	BUC-E	473228!	72-10418	BUC-E
7191LPD	JN-MN	416892!*	72-06925	BUC-E	40401	72-104180	BUC-E
7192	ALLCH	471692!	72-069250	BUC-E	40401	72-105500	BUC-E
7192	TRAC	471692!	72-071500	BUC-E	4148	72-10550V	BUC-E
7192LPD	JN-MN	417520*	72-071500	BUC-E	471424!	72-10785M	BUC-E
719373	GMC	411330!	72-071800	BUC-E	40360S!	72-10788	BUC-E
719374	GMC	472636!	72-072450	BUC-E	472924!	72-107880	BUC-E
7193LPD	JN-MN	417554!	72-07600V	BUTBN	40337S	72-108250	BUC-E
7193LUP	JN-MN	417554!	72-076100	BUC-E	40316S	72-10825V	BUC-E
719463-1	SPICE	473460	72-076350	BUC-E	416271!	72-110525	BUC-E
71947	ALLCH	416339	72-076390	BUC-E	415000!	72-112000	BUC-E
71947	ALLCH	455031!	72-076900	BUC-E	415995!	72-11225M	BUC-E
7194LPD	JN-MN	455480!*	72-077000	BUC-E	416921!	72-11250	BUC-E
7195LPD	JN-MN	415036*	72-077210	BUC-E	45013S	72-112500	BUC-E
7195LUP	JN-MN	415036	72-077550	BUC-E	5971	72-112501	BUC-E
7199LPD	JN-MN	415035	72-077570	BUC-E	412473!	72-11250MV	BUC-E
7199LPD	JN-MN	415035!	72-077710	BUC-E	345146	72-11275V	BUC-E
7199LUP	JN-MN	415035	72-077720	BUC-E	415991	72-115950	BUC-E
7199LUP	JN-MN	415035!	72-077720	BUC-E	455146!	72-11600V	BUC-E
71A7016	GARLK	471472=	72-078050	BUC-E	415437	72-116800	BUC-E
71A7021	GARLK	351487	72-078190	BUC-E	345035	72-12000V	BUC-E
71A7023	GARLK	240009*	72-078200	BUC-E	416339	72-120250	BUC-E
71A7032	GARLK	470954*	72-078200	BUC-E	455031!	72-120251	BUC-E
71A7033	GARLK	470954	72-078360	BUC-E	455189	72-12025M	BUC-E
71A7034	GARLK	471554	72-080325	BUC-E	415072	72-122100	BUC-E
71A7045	GARLK	417267	72-080328	BUC-E	415072	72-122300	BUC-E
71A7052	GARLK	471224*	72-080342	BUC-E	455583N!	72-122430	BUC-E
71A7055	GARLK	471689	72-080825	BUC-E	417597	72-122445	BUC-E
71A7080	GARLK	42352S	72-082500	BUC-E	417602!	72-122457	BUC-E
71A7082	GARLK	40494S	72-08250M	BUC-E	417602!	72-122600	BUC-E
71B2	WHITE	471316	72-082595	BUC-E	415124	72-122750	BUC-E
71WG7048AA	FORD	2503	72-08300M	BUC-E	415090	72-12275M	BUC-E
71WG7048AA	FORD	2503N	72-083150	BUC-E	417020	72-125250	BUC-E
71WG7657AA	FORD	2443	72-08315M	BUC-E	417020	72-125500	BUC-E
71WG7657BA	FORD	2551	72-083650	BUC-E	415482	72-12550M	BUC-E
71X5239	GARLK	471413	72-08365M	BUC-E	415482	72-125580	BUC-E
71X6069	GARLK	8792S	72-085105	BUC-E	417608	72-128500	BUC-E
71X6133	GARLK	254287	72-089720	BUC-E	472924!	72-134950	BUC-E
71X6156	GARLK	471270!	72-090500	BUC-E	470530!	72-135250	BUC-E
71X6284	GARLK	341022	72-09050V	BUC-E	470530!	72-138385	BUC-E
71X6304	GARLK	310841	72-093000	BUC-E	472397!	72-13925V	BUC-E
71X7007	GARLK	240470	72-09300VM	BUC-E	472397!	72-14333	BUC-E
71X7011	GARLK	342805	72-093500	BUC-E	473463	72-143330	BUC-E
71X7012	GARLK	342805	72-09350V	BUC-E	473463	72-14335M	BUC-E
71X7013	GARLK	8792S	72-095050	BUC-E	417349	72-143381	BUC-E
71X7020	GARLK	340387	72-09505V	BUC-E	417349	72-143390	BUC-E
71X7021	GARLK	340724!	72-09600	BUC-E	415995!	72-143395	BUC-E
71X7023	GARLK	471466	72-096000	BUC-E	415995!	72-143396	BUC-E
71X7024	GARLK	351487	72-096050	BUC-E	415995!	72-143396	BUC-E
71X7033	GARLK	470954!	72-096390	BUC-E	415000!	72-143410	BUC-E
71X7034	GARLK	471554	72-097380	BUC-E	417351!	72-143475	BUC-E
71X7055	GARLK	471689	72-09738M	BUC-E	417351!	72-148500	BUC-E
71X7080	GARLK	340400	72-09857	BUC-E	417487	72-14850E	BUC-E
71X7090	GARLK	442110=	72-09900M	BUC-E	417487	72-153500	BUC-E
71X7093	GARLK	310841	72-100993	BUC-E	455019!	72-15350V	BUC-E
71X8000	GARLK	7014S	72-101250	BUC-E	415035	72-153950	BUC-E
72-0002	MCCOR	13069	72-10125M	BUC-E	415035	72-157600	BUC-E
72-15760V	BUC-E	474278!	72-158405	BUC-E	40301S	72-159395	BUC-E
72-158405	BUC-E	40301S	72-159395	BUC-E	470898	72-159578	BUC-E
72-159395	BUC-E	470898	72-160365	BUC-E	450412	72-160365	BUC-E
72-159578	BUC-E	40520S	72-160365	BUC-E	415303!	72-160537	BUC-E
72-160365	BUC-E	450412	72-160537	BUC-E	416956	72-160550	BUC-E
72-160537	BUC-E	415303!	72-160550	BUC-E	471341!	72-160750	BUC-E
72-160550	BUC-E	416956	72-161000	BUC-E	472015!	72-161000	BUC-E
72-160750	BUC-E	471341!	72-16100M	BUC-E	472015!	72-161050	BUC-E
72-161000	BUC-E	472015!	72-161050	BUC-E	471272!	72-161500	BUC-E
72-161050	BUC-E	472015!	72-161500	BUC-E	473243	72-17100M	BUC-E
72-161500	BUC-E	471272!	72-17100M	BUC-E	413469!	72-17115	BUC-E
72-17100M	BUC-E	413469!	72-17115	BUC-E	411253!	72-171150	BUC-E
72-17115	BUC-E	411253!	72-171150	BUC-E	41253!	72-17150	BUC-E
72-171150	BUC-E	41253!	72-174325	BUC-E	416404!	72-174325	BUC-E
72-17150	BUC-E	41253!	72-174326	BUC-E	416404!	72-174326	BUC-E
72-174325	BUC-E	416404!	72-174326	BUC-E	416404!	72-174352	BUC-E
72-174326	BUC-E	416404!	72-174352	BUC-E	455024	72-174365	BUC-E
72-174352	BUC-E	455024	72-174365	BUC-E	417492	72-174385	BUC-E
72-174365	BUC-E	417492	72-174385	BUC-E	415991	72-174385	BUC-E
72-174385	BUC-E	415991	72-174385	BUC-E	455146!	72-174390	BUC-E
72-174390	BUC-E	455146!	72-174390	BUC-E	415991	72-174390	BUC-E
72-174390	BUC-E	415991	72-175746	BUC-E	415498	72-175746	BUC-E
72-175746	BUC-E	415498	72-177145	BUC-E	472636!	72-177145	BUC-E
72-177145	BUC-E	472636!	72-177150	BUC-E	415234!	72-177150	BUC-E
72-177150	BUC-E	415234!	72-17715V	BUC-E	415234!	72-17715V	BUC-E
72-17715V	BUC-E	415234!	72-177450	BUC-E	417205!	72-177450	BUC-E
72-177450	BUC-E	417205!	72-177875	BUC-E	45187S	72-177875	BUC-E
72-177875	BUC-E	45187S	72-178095	BUC-E	415035	72-178095	BUC-E
72-178095	BUC-E	415035	72-178095	BUC-E	415035!	72-178095	BUC-E
72-178095	BUC-E	415035!	72-179170	BUC-E	417621!	72-179170	BUC-E
72-179170	BUC-E	417621!	72-179175	BUC-E	417621!	72-179175	BUC-E
72-179175	BUC-E	417621!	72-17995	BUC-E	415196!	72-17995	BUC-E
72-17995	BUC-E	415196!	72-180150	BUC-E	416288!	72-180150	BUC-E
72-180150	BUC-E	416288!	72-18015V	BUC-E	416288!	72-18015V	BUC-E
72-18015V	BUC-E	416288!	72-180300	BUC-E	476470	72-180300	BUC-E
72-180300	BUC-E	476470	72-180310	BUC-E	476470	72-180310	BUC-E
72-180310	BUC-E	476470	72-183150	BUC-E	415023	72-183150	BUC-E
72-183150	BUC-E	415023	72-183300	BUC-E	418028	72-183300	BUC-E
72-183300	BUC-E	418028	72-183300	BUC-E	455137!	72-183300	BUC-E
72-183300	BUC-E	455137!	72-183305	BUC-E	416153!	72-183305	BUC-E
72-183305	BUC-E	416153!	72-183994	BUC-E	415284	72-183994	BUC-E
72-183994	BUC-E	415284	72-184591	BUC-E	415138!	72-184591	BUC-E
72-184591	BUC-E	415138!	72-185450	BUC-E	417298	72-185450	BUC-E
72-185450	BUC-E	417298	72-185760	BUC-E	471553!	72-185760	BUC-E
72-185760	BUC-E	471553!	72-18576M	BUC-E	471553!	72-18576M	BUC-E
72-18576M	BUC-E	471553!	72-18600	BUC-E	416107!	72-18600	BUC-E
72-18600	BUC-E	416107!	72-18600	BUC-E	455073	72-18600	BUC-E
72-18600	BUC-E	455073	72-186100	BUC-E	415021	72-186100	BUC-E
72-186100	BUC-E	415021	72-18610M	BUC-E	415021	72-18610M	BUC-E
72-18610M	BUC-E	415021	72-186250	BUC-E	415023	72-186250	BUC-E
72-186250	BUC-E	415023	72-186280	BUC-E	415295	72-186280	BUC-E
72-186280	BUC-E	415295	72-186300	BUC-E	470950!	72-186300	BUC-E
72-186300	BUC-E	470950!	72-186300	BUC-E	6241S	72-186300	BUC-E
72-186300	BUC-E	6241S	72-18630M	BUC-E	470950!	72-18630M	BUC-E
72-18630M	BUC-E	470950!	72-18630M	BUC-E	6241S	72-18630M	BUC-E
72-18630M	BUC-E	6241S	72-186400	BUC-E	474264	72-186400	BUC-E
72-186400	BUC-E	474264	72-18640M	BUC-E	474264	72-18640M	BUC-E
72-18640M	BUC-E	474264	72-186500	BUC-E	471821!	72-186500	BUC-E
72-186500	BUC-E	471821!	72-18650M	BUC-E	471821!	72-18650M	BUC-E
72-18650M	BUC-E	471821!	72-186750	BUC-E	470530!	72-186750	BUC-E
72-186750	BUC-E	470530!	72-18675M	BUC-E	470530!	72-18675M	BUC-E
72-18675M	BUC-E	470530!	72-186850	BUC-E	470086	72-186850	BUC-E
72-186850	BUC-E	470086	72-18685V	BUC-E	470086	72-18685V	BUC-E
72-18685V	BUC-E	470086	72-18685VE	BUC-E	470086	72-18685VE	BUC-E
72-18685VE	BUC-E	470086	72-18710M	BUC-E	411253!	72-18710M	BUC-E

OIL SEALS

72-189200 – 72-41590V

Mfr. No.	Name	Zero Duplication or Recommended Industrial	Mfr. No.	Name	Zero Duplication or Recommended Industrial	Mfr. No.	Name	Zero Duplication or Recommended Industrial	Mfr. No.	Name	Zero Duplication or Recommended Industrial
72-189200	BUC-E	50254=	72-22238E	BUC-E	417262!	72-298251	BUC-E	411394!	72-334450	BUC-E	415150!
72-19020V	BUC-E	470605!	72-222400	BUC-E	417262!	72-29830V	BUC-E	411500	72-33445E	BUC-E	415150!
72-19052	BUC-E	470565!	72-223370	BUC-E	417621!	72-298950	BUC-E	410694!	72-334460	BUC-E	415150!
72-190520	BUC-E	470565!	72-22374	BUC-E	417350!	72-29895V	BUC-E	410694!	72-334550	BUC-E	455191
72-193640	BUC-E	415142	72-224225	BUC-E	417563	72-299050	BUC-E	412871!	72-33455VE	BUC-E	455191
72-193840	BUC-E	55193=	72-230900	BUC-E	417546!	72-29905MV	BUC-E	412871!	72-334650	BUC-E	416153!
72-193860	BUC-E	415142	72-23090M	BUC-E	417546!	72-30085	BUC-E	415449!	72-339540	BUC-E	455197N
72-193900	BUC-E	472157!	72-230920	BUC-E	417546!	72-300850	BUC-E	415449!	72-339550	BUC-E	415196!
72-193900	BUC-E	472157	72-23290E	BUC-E	415645!	72-30195R	BUC-E	415001!	72-33955E	BUC-E	415196!
72-193901	BUC-E	472157	72-23290E	BUC-E	455104	72-302050	BUC-E	417079	72-339650	BUC-E	415196!
72-193901	BUC-E	472157!	72-23295	BUC-E	415645!	72-302100	BUC-E	417079	72-339665	BUC-E	416888!
72-193909	BUC-E	416556!	72-23295	BUC-E	455104	72-304050	BUC-E	415458!	72-339700	BUC-E	416888!
72-193909	BUC-E	472157	72-23300	BUC-E	415645!	72-30495E	BUC-E	415458!	72-339710	BUC-E	416888!
72-19390E	BUC-E	472157	72-23300	BUC-E	455104	72-305000	BUC-E	415458!	72-344650	BUC-E	416153!
72-19390E	BUC-E	472157!	72-233000	BUC-E	415645!	72-307900	BUC-E	417343!	72-34465M	BUC-E	416153!
72-198200	BUC-E	416654!	72-233000	BUC-E	455104	72-307950	BUC-E	417316!	72-34LPD	JN-MN	417269!
72-19820M	BUC-E	416654!	72-23300VM	BUC-E	415645!	72-307955	BUC-E	46997S	72-35465ME	BUC-E	415047
72-198450	BUC-E	417487	72-23300VM	BUC-E	455104	72-30795ME	BUC-E	417316!	72-354670	BUC-E	415047
72-198451	BUC-E	417487	72-233500	BUC-E	455584	72-311650	BUC-E	55469	72-35475E	BUC-E	416892!
72-19845M	BUC-E	417487	72-23600V	BUC-E	455583N!	72-31165M	BUC-E	55469	72-354850	BUC-E	416892!
72-19870M	BUC-E	416288!	72-237285	BUC-E	417598	72-312950	BUC-E	416921!	72-35485VE	BUC-E	416892!
72-199700	BUC-E	415072	72-238010	BUC-E	457874	72-31295V	BUC-E	415001!	72-35495	BUC-E	415371
72-199701	BUC-E	415072	72-238600	BUC-E	417562	72-31300	BUC-E	416921!	72-354950	BUC-E	415371
72-199702	BUC-E	416107!	72-23860E	BUC-E	417562	72-313000	BUC-E	416921!	72-35495VE	BUC-E	415371
72-199702	BUC-E	455073	72-239815	BUC-E	417600	72-31420V	BUC-E	472560N!	72-359875	BUC-E	415138!
72-19970M	BUC-E	415072	72-240441	BUC-E	455123	72-314750	BUTBN	40337S	72-359940	BUC-E	417526
72-199720	BUC-E	417487	72-242250	BUC-E	417603!	72-31475V	BUTBN	40337S	72-359950	BUC-E	417247!
72-200180	BUC-E	417298	72-24275M	BUC-E	416077	72-31530V	BUC-E	412040	72-35995M	BUC-E	417247!
72-200180M	BUC-E	417298	72-24300V	BUC-E	416077	72-31535V	BUC-E	471341!	72-360050	BUC-E	416167!
72-20030V	BUC-E	415871	72-24800	BUC-E	415116	72-315685	BUC-E	472164!	72-36005EM	BUC-E	416167!
72-200925	BUC-E	472157!	72-24800V	BUC-E	415116	72-315850	BUC-E	417134	72-360100	BUC-E	417539!
72-200925	BUC-E	472157	72-248250	BUC-E	415116	72-31585M	BUC-E	417134	72-36010E	BUC-E	417539!
72-201800	BUC-E	415871	72-24825V	BUC-E	415116	72-31695	BUC-E	416292	72-365050	BUC-E	415060
72-20180V	BUC-E	415871	72-24825VE	BUC-E	415116	72-316950	BUC-E	416292	72-365050	BUC-E	455060
72-20188	BUC-E	55238	72-248750	BUC-E	455129	72-319950	BUC-E	412473!	72-36505V	BUC-E	415060
72-201880	BUC-E	55238	72-25125V	BUC-E	472354!	72-31995V	BUC-E	412473!	72-36505V	BUC-E	455060
72-20195	BUC-E	417198	72-253750	BUC-E	55301S	72-32265	BUC-E	415991	72-365140	BUC-E	415064
72-201950	BUC-E	417198	72-253800	BUC-E	415090	72-32265	BUC-E	455146!	72-365200	BUC-E	456890
72-201951	BUC-E	417198	72-25625M	BUC-E	415023	72-32287	BUC-E	415991	72-365228	BUC-E	417269!
72-20195EV	BUC-E	417198	72-259985	BUC-E	417570	72-32287	BUC-E	455146!	72-365250	BUC-E	417273
72-20212	BUC-E	416706!	72-26500	BUC-E	473224!	72-322870	BUC-E	415991	72-36525M	BUC-E	417273
72-202120	BUC-E	416706!	72-265000	BUC-E	473224!	72-322870	BUC-E	455146!	72-368500	BUC-E	417254
72-202141	BUC-E	55301S	72-26625	BUC-E	473016!	72-322950	BUC-E	415379	72-370200	BUC-E	415938
72-202141M	BUC-E	55301S	72-266250	BUC-E	473016!	72-322950	BUC-E	415379!	72-37020V	BUC-E	415938
72-202151	BUC-E	476470	72-266250V	BUC-E	473016!	72-324750	BUC-E	455249!	72-370300	BUC-E	415938
72-20234	BUC-E	55524	72-269250	BUC-E	473215!	72-325850	BUC-E	415437	72-37035	BUC-E	417555!
72-202340	BUC-E	55524	72-26925M	BUC-E	473215!	72-325900	BUC-E	415437	72-370350	BUC-E	417555!
72-202447	BUC-E	415697!	72-269850	BUC-E	473231	72-325900	BUC-E	415437!	72-370370	BUC-E	417555!
72-202447	BUC-E	455547	72-269900	BUC-E	473231	72-32590V	BUC-E	415437	72-375200	BUC-E	416107!
72-202447M	BUC-E	415697!	72-272600	BUC-E	473367!	72-32590V	BUC-E	415437!	72-375200	BUC-E	455073
72-202447M	BUC-E	455547	72-272600	BUC-E	473367	72-325950	BUC-E	417501	72-375201	BUC-E	416107!
72-202630	BUC-E	417433	72-27260V	BUC-E	473367!	72-32595E	BUC-E	417501	72-375201	BUC-E	455073
72-207300	BUC-E	471567!	72-27260V	BUC-E	473367	72-326000	BUC-E	415379	72-37520ME	BUC-E	416107!
72-20730V	BUC-E	471567!	72-274250	BUC-E	473010!	72-326000	BUC-E	415379!	72-37520ME	BUC-E	455073
72-212300	BUC-E	415984!	72-274300	BUC-E	473010!	72-32600M	BUC-E	415379!	72-37550EV	BUC-E	416107!
72-21230M	BUC-E	415984!	72-277600	BUC-E	472185!	72-32600M	BUC-E	415379	72-37550EV	BUC-E	455073
72-212800	BUC-E	476470	72-27760M	BUC-E	472185!	72-326900	BUC-E	417355!	72-37565V	BUC-E	416107!
72-213800	BUC-E	415379	72-282600	BUC-E	472179	72-32700	BUC-E	417967!	72-37565V	BUC-E	455073
72-213800	BUC-E	415379!	72-28260V	BUC-E	472179	72-327000	BUC-E	417967!	72-37575	BUC-E	417556
72-21380M	BUC-E	476470	72-28560	BUC-E	450273	72-328950	BUC-E	455024	72-375750	BUC-E	417556
72-21630	BUC-E	415072	72-29075	BUC-E	414045!	72-32895M	BUC-E	455024	72-38225	BUC-E	416666
72-216300	BUC-E	415072	72-290750	BUC-E	473238	72-32905M	BUC-E	455026	72-382250	BUC-E	416666
72-21630M	BUC-E	415072	72-290850	BUC-E	473238	72-32915M	BUC-E	415027	72-385650	BUC-E	416476!
72-21680V	BUC-E	415116	72-292392	BUC-E	417501	72-32915M	BUC-E	415027!	72-38565VM	BUC-E	416476!
72-21710	BUC-E	417602!	72-29585V	BUC-E	470086	72-329250	BUC-E	416125!	72-409124	BUC-E	415327
72-217100	BUC-E	417602!	72-295950	BUC-E	473461!	72-32925EV	BUC-E	416125!	72-410650	BUC-E	416229
72-21710M	BUC-E	417602!	72-29595VE	BUC-E	473461!	72-32935V	BUC-E	416339	72-41065M	BUC-E	416229
72-22065	BUC-E	471267!	72-29650	BUC-E	470565!	72-32935V	BUC-E	455031!	72-41090V	BUC-E	416229
72-220650	BUC-E	417267	72-296500	BUC-E	470565!	72-329400	BUC-E	416345!	72-410910	BUC-E	415327
72-220750	BUC-E	470954	72-29795V	BUC-E	470088	72-329400	BUC-E	455033	72-41405	BUC-E	417596
72-22080V	BUC-E	472354!	72-297960	BUC-E	473462	72-329450	BUC-E	415034!	72-415900	BUC-E	455584
72-22090V	BUC-E	472560N	72-298250	BUC-E	411394!	72-32945MEV	BUC-E	415034!	72-41590V	BUC-E	455584

! Industrial Size/Type

= The U.S. customer service number is 877-4-TIMKEN. The Canadian customer service numbers are 800-565-4927 (English) and 800-565-0438 (French-Canadian).

NUMERICAL INTERCHANGE

Mfr. No.	Name	Zero Duplication or Recommended Industrial	Mfr. No.	Name	Zero Duplication or Recommended Industrial	Mfr. No.	Name	Zero Duplication or Recommended Industrial	Mfr. No.	Name	Zero Duplication or Recommended Industrial
72-420900	BUC-E	455117	7202930	NORDG	481213!	7212850V	BUC-E	471466!	72215	VIC	215
72-420905	BUC-E	455117	72030	VIC	030	72129	VIC	129	72215	VIC	420
72-42090VM	BUC-E	455117	72031	VIC	031	72130	VIC	130	72216	VIC	216
72-42350	BUC-E	415551	72031	VIC	439RR	7213094	GIB	455328	72216	VIC	421
72-423500	BUC-E	415551	7203195	NORDG	471766!	72131	VIC	131	72217	VIC	217
72-430900	BUC-E	455406!	72032	VIC	032	72132	VIC	132	72217	VIC	422
72-43090V	BUC-E	455406!	72033	CHERY	471472!	72133	VIC	133	72218	VIC	218
72-43590	BUC-E	455121	72034	VIC	034	72133	VIC	445RR	72219	VIC	219
72-436350	BUC-E	415128	7203400EV	BUC-E	415871	72134	VIC	134	72219	VIC	424
72-632540	BUC-E	412040	72035	VIC	035	72134	VIC	446RR	72220	VIC	220
72-63254V	BUC-E	412040	72036A	HERCU	412119	72136	VIC	136	72220	VIC	425RR
72-63269	BUC-E	472492!	720387	PEERC	471765!	72137	VIC	137	72221	VIC	221
72-632690	BUC-E	472492!	72039	VIC	039	72138	VIC	138	72222	VIC	222
72-632750	BUC-E	480491	72040	VIC	040	72139	VIC	139	72222	VIC	427RR
72-717100	BUC-E	417602!	7204003	NORDG	455308	72140	VIC	140	72223	VIC	223
720004901	EATON	473231!	72042	VIC	042	721403	ADAMS	471267!	72223	VIC	449RR
720004902	EATON	473237!	72042537	BUC-E	471984	721403	WABCO	471267!	72223460	BUC-E	410752
720004903	EATON	473237!	72043	VIC	043	72141	VIC	141	72224	VIC	224
72000492	EATON	473237!	72044	CHERY	471567!	72142	VIC	142	72224	VIC	450RR
72000492	Y-T	473237!	720463-1	SPICE	412871!	72143	VIC	143	72225	VIC	225
72001	VIC	001	7204710	NORDG	472193!	72144	VIC	144	72225	VIC	35224
72002	VIC	002	72048	CHERY	471689!	72146	VIC	146	72226	VIC	226
72003	VIC	003	7205	C-R	19X30X7	72146	VIC	447RR	722276	ADAMS	416404!
72004	SHOV	412871!	7205	C-R	221920	72148	VIC	148	722276	LETN	416404!
72004	VIC	004	7206150	NORDG	411245!	72149	VIC	149	722276	WABCO	416404!
72005	VIC	005	720618	GMC	370002A	72149A	HERCU	415995!	72228	VIC	228
72006	VIC	006	7206271	NORDG	416706!	7215	NATL	5126	72228	VIC	451RR
72007	VIC	007	7206274	NORDG	415988	72151	VIC	151	72229	VIC	229
72008	VIC	008	72064525	BUC-E	473227	72152	VIC	152	7223	C-R	710273
72009	VIC	009	720658	GMC	HU009A	72152	VIC	448RR	72230	VIC	230
7200A	C-R	473238	720659	GMC	386025A	72153	VIC	153	72230	VIC	452RR
72010	VIC	010	720659	GMC	416158	7215LPD	JN-MN	471651	722309	WOOL	417159
7201000V	BUC-E	40101S	7208LPD	JN-MN	415327	7215LUP	JN-MN	471651	72231	VIC	231
72011	VIC	011	7208LUP	JN-MN	415327	7216LPD	JN-MN	473224!	72231	VIC	453RR
72012	VIC	012	7208XBO	SPG	7208S	7216LUP	JN-MN	473224!	72232	VIC	232
7201200V	BUC-E	416125!	720912	UNIVE	417598	72179150	BUC-E	55155=	72232	VIC	454RR
72013	VIC	013	720913	MICH	417598	7217915M	BUC-E	55155=	72234	VIC	234
72014	VIC	014	7210	C-R	19X32X8!	721797	WABCO	471766!	72235	VIC	235
72014	VIC	431RR	7210	C-R	221922	7218030M	BUC-E	476470	72236	VIC	236
72015	VIC	015	721002	ADAMS	410496!	7218330VE	BUC-E	418028	72238	VIC	238
72016	VIC	016	721003	ADAMS	472157!	7218330VE	BUC-E	455137!	72238	VIC	455RR
7201600V	BUC-E	472157!	721003	ADAMS	472157	7218575M	BUC-E	471787!	72239	VIC	239
7201600V	BUC-E	472157	72110	VIC	110	721871	ADAMS	473205	722392	LETN	456305
72017	VIC	017	72110	VIC	408	721871	LETN	473205	722392	WABCO	456305
72017	VIC	432RR	72111	VIC	111	721871	WABCO	473205	7223S	SPG	471344
72018	VIC	018	72111250	BUC-E	471466!	721872	ADAMS	471689!	72242	VIC	242
72018	VIC	433RR	72112	VIC	112	721872	LETN	471689!	72242	VIC	456RR
7201800E	BUC-E	415645!	72113	VIC	113	72187900	BUC-E	471765!	722463-1	SPICE	455576!
7201800E	BUC-E	455104	72113	VIC	411	72188450	BUC-E	6863S!	722463-2	SPICE	417602!
72019	VIC	019	72114	VIC	114	7218845M	BUC-E	6863S!	72248	VIC	248
72019	VIC	434RR	72114	VIC	412	72188600	BUC-E	471579	72249	VIC	249
7201LPD	JN-MN	472636!	72115	VIC	115	7218920V	BUC-E	50254=	72252	VIC	252
7202	C-R	19X27X6	72116	VIC	116	72193855	BUC-E	455134!	7226125M	BUC-E	415227!
72020	VIC	020	72116	VIC	414	7220	C-R	19X35X10!	72261260	BUC-E	55228=
72020	VIC	435RR	72116250	BUC-E	470954!	7220	C-R	710273	72265	VIC	265
72021	VIC	021	72117	VIC	117	7220	C-R	710445*	72266100	BUC-E	450400
72021	VIC	436RR	72117	VIC	440RR	7220263	BUC-E	417433	72268100	BUC-E	470059
72022	VIC	022	72118	VIC	118	722050	WABCO	417433!	72268100	BUC-E	470380!
72023	VIC	023	72118	VIC	441RR	722051	ADAMS	417210!	7226885	NORDG	473227!
72023	VIC	437RR	72119	VIC	119	722051	LETN	417210!	72269750	BUC-E	470059
7202300V	BUC-E	415938	72119	VIC	442RR	722051	WABCO	417210!	72269750	BUC-E	470380!
7202375	NORDG	471649!	72120	VIC	120	72206800	BUC-E	471466!	7226975E	BUC-E	470059
72024	VIC	024	72121	VIC	121	7220680V	BUC-E	471466!	7226975E	BUC-E	470380!
72024	VIC	438RR	72122	VIC	122	72210	VIC	210	72272250	BUC-E	50254=
72025	VIC	025	72122	VIC	443RR	722106	ADAMS	417344!	7227225V	BUC-E	50254=
72026	VIC	026	72123	VIC	123	722106	LETN	417344!	7227235E	BUC-E	50254=
72027	VIC	027	72124	VIC	124	72211	VIC	211	7227810	BUC-E	470059
72028	VIC	028	72125	VIC	125	72212	VIC	212	7227810	BUC-E	470380!
7202820	NORDG	470712!	72126	VIC	126	72213	VIC	213	7227LPD	JN-MN	456105*
7202850M	BUC-E	417602!	72127	VIC	127	72213	VIC	70484-1	7227LUP	JN-MN	456105
72029	VIC	029	72127	VIC	444RR	72214	VIC	214	72282550	BUC-E	474274
7202930	NORDG	470328	72128	VIC	128	72214	VIC	70800	7229	TEKNI	471466!

! Industrial Size/Type *Minor Width Difference

= The U.S. customer service number is 877-4-TIMKEN. The Canadian customer service numbers are 800-565-4927 (English) and 800-565-0438 (French-Canadian).

Mfr. No.	Name	Zero Duplication or Recommended Industrial	Mfr. No.	Name	Zero Duplication or Recommended Industrial	Mfr. No.	Name	Zero Duplication or Recommended Industrial	Mfr. No.	Name	Zero Duplication or Recommended Industrial
72292H	WAUKE	471821!	725550917-473-A	BENDI	474279N	72D4	WHITE	6644	73037744	FI-AL	471692 =
7230	C-R	221925	725551	LETN	481534	72X100X10AN	ISP	72X100X10	73037969	FI-AL	417487!
72325	VIC	325	725581	ADAMS	471766!	72X100X12SC	TRSCM	72X100X12	73037969	FI-AL	417487
72325	VIC	428RR	725581	LETN	471766!	72X100X12TC	TRSCM	72X100X12	73037981	FI-AL	471272 * =
72326	VIC	326	725581	WABCO	471766!	72X7450	GARLK	204005	73037990	FI-AL	473238 =
72326	VIC	429RR	72558R91	IH	5403	72X7451	GARLK	6832S	73038	VIC	800380
72326006	BUC-E	455178 =	72562R91	IH	5403	72X7452	GARLK	6832S	73038222	FI-AL	415854
72327	VIC	327	7260	C-R	19X40X10	72X7455	GARLK	204017	73038223	FI-AL	470764!
72329	VIC	329	72600	VIC	6003020	72X7457	GARLK	204008	73038223	FI-AL	50764
72329	VIC	457RR	72601	VIC	6004020	72X7458	GARLK	204007 =	73038675	FI-AL	473231!
72330	VIC	330	72602	VIC	6005020	72X7459	GARLK	204038	73039422	FI-AL	471554!
72331	VIC	331	72603	VIC	6006020	72X7460	GARLK	204038	73040	VIC	800400
72332	VIC	332	72604	VIC	6007020	72X7461	GARLK	204002	73040054	FI-AL	470565!
72333	VIC	333	72605	VIC	6008020	72X8133	GARLK	6590S	73040062	FI-AL	415327
72333	VIC	458RR	72606	VIC	6010020	72X90X10AN	ISP	72X90X10	73040119	FI-AL	415551
72334	VIC	334	72607	VIC	6010025	72X95X10SC	TRSCM	72X95X10	73042826	FI-AL	8907
72335	VIC	335	72608	VIC	6011025	72X95X10TC	TRSCM	72X95X10	73045	VIC	800450
72335	VIC	459RR	72609	VIC	6012025	73	BL-KN	473243	73045043	FI-AL	45187S
72336	VIC	336	72610	VIC	6014025	73-0007	MCCOR	13338	730461-1	SPICE	417480!
72337	VIC	337	72611	VIC	6016025	730002	NATL	733067	730463-1	SPICE	417480!
72340	VIC	340	72612	VIC	6017025	730013	NATL	733067	73048835	FI-AL	410737!
72342	VIC	342	72613	VIC	6019025	730015	NATL	733067	73050	VIC	800500
72343	VIC	343	72614	VIC	6019030	730028	NATL	733067	73055	VIC	800550
72345	VIC	345	72615	VIC	6020030	73003	VIC	800030	73056536	FI-AL	2505
723463-1	SPICE	473243	72616	VIC	6022030	73004	VIC	800040	73060	VIC	800600
7236RPD	JN-MN	55218 =	72617	VIC	6024030	73005	VIC	800050	73065	VIC	800650
7237A	C-R	450536	72618	VIC	6025030	73006	VIC	800060	73070	VIC	800700
7237A	C-R	471535!	72619	VIC	6027030	73007	VIC	800070	730707X1	IH	416888!
72388345	BUC-E	55692 =	72620	VIC	6028030	73007102	FI-AL	415449!	73073R91	IH	470954!
723K1	WHITE	480630!	72621	VIC	6030030	73007388	FI-AL	473460	73075	VIC	800750
7240	C-R	19X37X7	72621A	HEIL	470954	73007497	FI-AL	415498	73080	VIC	800800
7240	CHERY	473213!	72621A	HERCU	470954	73007498	FI-AL	450143	730813X91	IH	417355!
7241	CHERY	473215!	72622	VIC	6032030	73008	VIC	800080	73085	VIC	800850
7242	CHERY	417316!	72623	VIC	6033030	73008139	FI-AL	415995!	73085	WAUKE	415442!
7242	SPG	42763	72624	VIC	6035030	73010	VIC	800100	73085	WAUKE	55442
72426	VIC	426	72625	VIC	6036030	73012	VIC	800120	73090	VIC	800900
7243	SPG	40769S	72626	VIC	6038030	73013	VIC	800130	73095	VIC	800950
72433	VIC	433	72627	VIC	6038040	73013171	FI-AL	415960!	73100	VIC	801000
7244	SPG	40185	72628	VIC	6041040	73014	VIC	800140	73104650	FI-AL	J1105
72443	VIC	443	72629	VIC	6044040	73014379	FI-AL	416282	73104651	FI-AL	473238!
724445	GMC	471570!	726929	WILYS	451948	73014434	FI-AL	415725!	73107084	FI-AL	40094S
72446	VIC	446	72695A	HERCU	240119	73016	VIC	800160	73110	VIC	801100
724510	GMC	1012	727026	WILYS	416919	73017034	FI-AL	415991	73110938	FI-AL	J1107
724510	GMC	1012N	72708	C-P	471281!	73017034	FI-AL	455146!	73110940	FI-AL	472397!
724510	GMC	45X62X8!	72708	GE	471281!	73018	VIC	800180	73120	VIC	801200
724511	GMC	33X50X12!	7272	TEKNI	471619!	73018434	FI-AL	415379!	731202	WILYS	240151
724513	GMC	33X50X12!	727345	WABCO	471649!	73018434	FI-AL	415379	73123794	FI-AL	200870
724571	ADAMS	412473!	72737	ALLCH	417555!	73020	VIC	800200	73124116	FI-AL	JV980 =
724571	LETN	412473!	727463-1	SPICE	470565!	73021053	FI-AL	471224!	73124610	FI-AL	455655!
724633	SPICE	417487	7274633	SPICE	471341!	73021065	FI-AL	417344 =	73126934	FI-AL	370030A
724860	ADAMS	470565!	7275	C-R	19X46X7	73022	VIC	800220	73130	VIC	801300
724860	LETN	470565!	727584	WABCO	415187	73022043	FI-AL	415960	73140	VIC	801400
724925	UNIVE	455406!	727695	LETN	471224!	73022066	FI-AL	415371	731463-1	SPICE	473239
724926	MICH	455406!	727695	WABCO	471224!	73024620	FI-AL	412119	731463-4	SPICE	471689!
7250	C-R	19X38X7	727739	LETN	417350!	73024645	FI-AL	472439	73150	VIC	801500
72502	VIC	OK311	727739	WABCO	417350!	73024692	FI-AL	473238	731523	WILYS	240151
72503	VIC	OK312	7280	C-R	19X47X7	73024729	FI-AL	455330!	73160	VIC	801600
7251	C-R	710154	72813	C-R	185X210X13	73025	VIC	800250	73170	VIC	801700
725147	ADAMS	415449!	728143	LETN	471413!	73027709	FI-AL	417316 =	73180	VIC	801800
72515	C-R	416044	728143	WABCO	471413!	73028	VIC	800280	73190	VIC	801900
725157	ADAMS	417316!	7284112	HUB-C	473197	73028697	FI-AL	410308 *	73193	ALLCH	412473!
725157	LETN	417316!	728463-2	SPICE	416107!	73028740	FI-AL	471224!	73194	ALLCH	55301S
725157	WABCO	417316!	728463-2	SPICE	455073	73030	VIC	800300	731968	CLARK	470954
72539	C-R	415116 *	728491	LETN	471649!	73032	VIC	800320	73197	ALLCH	471887
72540	C-R	415116	728491	WABCO	471649!	73033846	FI-AL	471442!	73200	VIC	802000
72541	C-R	415116	728500	ADAMS	415082	73034853	FI-AL	471224 =	732228	KELSE	413247 =
72541	CLIN	254270	728500	LETN	415082	73034883	FI-AL	470530	732229	KELSE	353132
725422	ADAMS	412920!	728500	WABCO	415082	73034958	FI-AL	415984 =	732246	KELSE	473474 =
725422	WABCO	411376!	728664	LETN	476470	73034959	FI-AL	412119	732328	KELSE	415035
725550	ADAMS	474279N	728730	US-EL	481568!	73035	VIC	800350	732333	KELSE	415027
725550	LETN	474279N	728937	UNIVE	455121	73035083	FI-AL	472636	732334	KELSE	370020A
725550	WABCO	474279N	728938	MICH	455121	73035084	FI-AL	415104N =	732347	FABCO	416364!

! Industrial Size/Type * Minor Width Difference

= The U.S. customer service number is 877-4-TIMKEN. The Canadian customer service numbers are 800-565-4927 (English) and 800-565-0438 (French-Canadian).

NUMERICAL INTERCHANGE

Mfr. No.	Name	Zero Duplication or Recommended Industrial	Mfr. No.	Name	Zero Duplication or Recommended Industrial	Mfr. No.	Name	Zero Duplication or Recommended Industrial	Mfr. No.	Name	Zero Duplication or Recommended Industrial
732347	KELSE	416364!	737478	GMC	470380!	7412729	WESTO	BS40592	742EP49247	LUF	HU009A
732348	FABCO	418028	737478	GMC	472189A!	7412745	WESTO	BS40620	742EP49249	LUF	HU011A
732352	FABCO	417349!	73750	C-R	455117	7413	C-R	240816	742EP49252	LUF	HU013A
732355	FABCO	415146!	73751	C-R	455117	7413	C-R	7929S	74301537	FI-AL	471763
732355	FABCO	415991	7375410	CONTI	240356	7413R XR	SPG	9613S	743034	CLARK	417269=
732357	FABCO	471267!	7376	F-R-H	411253!	7414	C-R	254270!	7430S	SPG	370015A
732372	FABCO	417316!	73760	C-R	415317	74147	GMC	370036A	74310523	FI-AL	471192
732372	KELSE	417316*=	73761	C-R	415317	74147	GMC	370349A	74310527	FI-AL	471643!
7325LUP	JN-MN	416624!*	738028X	WILYS	415991	7415	C-R	343185	74311323	FI-AL	416332!
73260009	TROS	415072	738028X	WILYS	455146!	7416599	CONTI	415458!	7431380	WESTO	TCS45603
73263207	TROS	415294!	7380S	SPG	415302	74166	HOUGH	471504!	7431810	WESTO	TCS45635
7329	ALOY	3348	7383S	SPG	321460	74166	WAUKE	473179	7431919	WESTO	TCS45724
733	GREEN	240736	73857	ALLCH	471984	7416B1	WABCO	473230!	7432	C-R	470954!
7332	CHAMP	240356	738612	C-R	55692=	74192A	HERCU	471649!	743231	CLARK	240356
733290	WILYS	471141!	73873	EATON	9128S	7420	C-R	470954*	7432420	WESTO	TCS45847
73339	WAUKE	40085S	7388	ALLCH	473460	7422	C-R	470954!	7433	C-R	470954
7335	NATL	473235	7388	TRAC	473460	7424	C-R	470954!	74331983	FI-AL	457291
7335LPD	JN-MN	417547	7391S	SPG	9376	74241862	FI-AL	471341!	74334	WAUKE	472185!
7336LPD	JN-MN	417548	7394631	SPICE	415899N	742463-1	SPICE	416865!	7434	C-R	470954
7340LPD	JN-MN	55224*=	7394631	SPICE	416624	742463-2	SPICE	473367	743463-3	SPICE	470954!
7340LUP	JN-MN	456105	73949	WAUKE	50199S!	742463-2	SPICE	473367!	743463-4	SPICE	417316!
7340LUP	JN-MN	55224=	73949	WAUKE	6863S!	742463-5	SPICE	415138!	743463-5	SPICE	417171!
73433	CROWN	471267!	7399S	NATL	343105	742463-7	SPICE	473233!	74349736	FI-AL	472234
734504	WILYS	410059	7399S	WMG	12305286	7424636	SPICE	471224!	7436363	WESTO	35224
734504	WILYS	470380!	73A575BH1	GE	471224!	74251862	FI-AL	471341!	7437	C-R	470954*
73453	CROWN	416271!	73P3	WHITE	40094S	74252177	FI-AL	415379	74371692	FI-AL	473214!
73459	CROWN	415449!	73W1	WHITE	416345!	74253052	FI-AL	416271!	743845	CLARK	470625!
734631	SPICE	472397!	73W1	WHITE	455033	74253297	FI-AL	40438S	74386879	FI-AL	471649!
7346LPD	JN-MN	474264	74-0003	MCCOR	35127	74253341	FI-AL	471571	74386927	FI-AL	471689!
7346LUP	JN-MN	474264	74-0096	MCCOR	25598	74253609	FI-AL	40566S	74387605	FI-AL	471688=
7347LPD	JN-MN	472394*	74-0117	MCCOR	35315	74253670	FI-AL	40370S	7439	C-R	470954!*
7347LUP	JN-MN	472394	74-0118	MCCOR	35507	74253765	FI-AL	473231!	74390171	FI-AL	455583N=
7348	TMTR	470954	74-0147	MCCOR	35292	74253769	FI-AL	455583N!	74391019	FI-AL	471472!
73482	MURRA	417433	74-0148	MCCOR	35300	74253781	FI-AL	417171!	74394036	FI-AL	J1838*=
7348LPD	JN-MN	474253	74-0164	MCCOR	35011	74253982	FI-AL	472287!	743987	LONG	204027
7348LUP	JN-MN	474253	74-0164	MCCOR	35394	74253999	FI-AL	455336	7440	C-R	470954!
734A575AM	GE	472258	74-0198	MCCOR	35001	74254050	FI-AL	471570!	7441	ALOY	415458
734A575AM1	GE	472258	74-0204	MCCOR	35524	74254101	FI-AL	473010	74410	AM WH	472439
734A575AN	GE	470328	74-0211	MCCOR	35486	74254152	FI-AL	470898	74418	WAUKE	55236
734A575AN	GE	481213!	74-0224	MCCOR	35555	74254177	FI-AL	471413	7442N	SPG	7442H
734A575BBP1	GE	6760S	7400	C-R	473416	74254228	FI-AL	415458!	7443	C-R	470954!
734A575BC	GE	471224!	7400	C-R	710272	74254269	FI-AL	470954!	7444	SPICE	473226
734A575BC1	GE	471224!	74001449	FI-AL	472394	74254670	FI-AL	471787!	744463-1	SPICE	416229
734A575BCP1	GE	471224!	74014	MURRA	455251H	74254936	FI-AL	472258	7445	ALOY	5121
735006	WILYS	9613S	740158	WILYS	6489	74254954	FI-AL	450639	7445	C-R	470954!
73546311	SPICE	470898	740173	MCCOR	427	74254963	FI-AL	471554!	744581	HESST	470605!
7358	EATON	473464!	74024562	FI-AL	456641	74254986	FI-AL	40433S	7446	ALOY	3087
7358	EATON	473464	74028922	FI-AL	7568	74255130	FI-AL	471829	7446	C-R	470954!
735884X	WILYS	471643!	74029502	FI-AL	417360	74255301	FI-AL	471224	744631	SPICE	471224!
735995	WILYS	472560N	74029556	FI-AL	JX1828=	74255587	FI-AL	471424!	744634	SPICE	416271!
735996	WILYS	472560N	74043977	FI-AL	415035!	74255839	FI-AL	471787!	744682	CATER	416044
73605H	IH	410496!	74043977	FI-AL	415035	74255851	FI-AL	40389S	7447	C-R	470954!
7360LPD	JN-MN	415351!	74061865	FI-AL	417360	74256022	FI-AL	470530*=	744789	HESST	455280
7360LUP	JN-MN	415351!	74062088	FI-AL	417360	7426497	WESTO	13338	7448	C-R	470954!
7361LPD	JN-MN	473463	74063H	IH	323138!	7426653	WESTO	16201	74482	AM WH	471442!
7361LUP	JN-MN	473463	74065	EATON	410686N	7426679	WESTO	16202	744888	HESST	204029
73628	MURRA	55218=	7408	C-R	727410	7426927	WESTO	16203	744888	HESST	204507!
73645	MURRA	415991	7409	C-R	240735	7426935	WESTO	16204	7449	C-R	470954
73645	MURRA	455146!	7410	C-R	727410	7426950	WESTO	16212	7450	C-R	470954
736463-1	SPICE	471138!	7411	C-R	312518!	7426968	WESTO	16213	7450	C-R	470954!
73658	WAUKE	471821!	7411	C-R	342518	7426976	WESTO	16214	74501458	FI-AL	471765!
7365LPD	JN-MN	473367!	7411429	HWY	312196!	7426A	C-R	417507!	7450174	WESTO	BS40387
7365LUP	JN-MN	473367	741147	GMC	370036A	7426A	C-R	417507	7450190	WESTO	BS40449-1
7365LUP	JN-MN	473367!	741147	GMC	370349A	7428	C-R	470954!	74513621	FI-AL	472439
7365LUP	JN-MN	473367	741147	GMC	380036A	7429798	WESTO	TCS45108	74516033	FI-AL	JX1238=
73687	HYST	55469	7412	C-R	7214	7429921	WESTO	TCS45472	74516102	FI-AL	JX1363=
736K1	WHITE	6597S	7412257	WESTO	BS25035	7429947	WESTO	TCS45473	745201X	WILYS	473239
7370	TAYLR	204038	7412463	WESTO	BS40110	7429962	WESTO	TCS45483	7452279	WESTO	35011
7372612	CONTI	472150	7412521	WESTO	BS40380	742EP46740	LUF	370036A	745267	DAVIS	341022
73745	C-R	455117*	7412547	WESTO	BS40396	742EP46740	LUF	370349A	7452S	SPG	370019A
737463-1	SPICE	415483	7412661	WESTO	BS40509	742EP49180	LUF	370036A	7453	C-R	470954
737463-2	SPICE	416278	7412711	WESTO	BS40578	742EP49180	LUF	370349A	74538B	HERCU	240319

! Industrial Size/Type * Minor Width Difference

= The U.S. customer service number is 877-4-TIMKEN. The Canadian customer service numbers are 800-565-4927 (English) and 800-565-0438 (French-Canadian).

OIL SEALS

7453S – 75X90X8ASN

Mfr. No.	Name	Zero Duplication or Recommended Industrial	Mfr. No.	Name	Zero Duplication or Recommended Industrial	Mfr. No.	Name	Zero Duplication or Recommended Industrial	Mfr. No.	Name	Zero Duplication or Recommended Industrial
7453S	SPG	370021A	7493	C-R	471554!	75213	SPICE	415001!	75581	RENAU	35X50X8!
745463-4	SPICE	472015!	7494	C-R	471554!	7522	C-R	471554!	75581	RENAU	3771
7454635	SPICE	471343!	7494	SPICE	471554!	752352	DAVIS	474272!	75594	ALLCH	471341!
7454S	SPG	370005A	749510	LONG	471744!	752463-1	SPICE	471854!	7561	ALOY	8121S
7455	C-R	470954	7497	ALLCH	415498	75249336	FI-AL	415483	7562	ALOY	331227H
74555301	FI-AL	471224	7497	TRAC	415498	75249336	FI-AL	J1117	75628	FITZ	5M403
74559	C-P	471571	7498	ALOY	8704S	7526	C-R	471554!	7563	ALOY	471827!
7455S	SPG	370006A	7498	C-R	471554!	75260H	FULLE	472179	75637	FITZ	5M403
74568	WAUKE	471744!	7498	TRAC	450143	75260H	IH	472179	7564	C-R	471567!*
7456A	F-R-H	481864	74988992	FI-AL	471504	75266	FITZ	473450!	75644	FITZ	5M406=
7457	C-R	470954!	7499	ALOY	8695S	7527	C-R	471554!	7565	ALOY	6840S
7457	SPG	7457N	74994488	FI-AL	416130!	75270	FITZ	5M356	7565	C-R	471567!*
74573	ALLCH	472029	74DT7052B3A	FORD	2655	7528	C-R	471554!	75661	FITZ	6064
74574	ALLCH	415995!	74DT7A248A3A	FORD	2658	75280	SPICE	416158	75662412	TROS	417563
74575	ALLCH	471870!	74HB1175AA	FORD	370019A	7529	C-R	471554!	75669	FITZ	5M89
74575	KEN	471870!	74HB1175CA	FORD	416865	753	CARDX	473211!	75673	FITZ	5M466
7458854	WESTO	35292	74HB1190AA	FORD	370087A	7530	C-R	240027=	7568	ALOY	473235
7458870	WESTO	35533	74HB1190AD	FORD	370087A	753081	ALLCH	416891!	75681	FITZ	5M81
7458938	WESTO	35315	74P3	WHITE	40097S	753081C33	ALLCH	416891!	7569	C-R	471567!
7458946	WESTO	427RR	75	BL-KN	417490	753087	DAVIS	472164!	7570	C-R	471567!
7459001	WESTO	25598	7500	ALOY	5124	7531	C-R	471554!	7571	C-R	471567!
7460	C-R	470954!	75013S	TROS	340771	7533	C-R	471554	75715	FITZ	5M559
7461	C-R	470954!	7502	C-R	471554!	7534	C-R	240027=	75717	FITZ	5MR1008
74610	CROWN	6668S	75020	C-R	415551=	753463-1	SPICE	471344	75718	FITZ	5MR1009
74611773	FI-AL	471567!	7503	C-R	471554!	75359	GRAY	470059	7572	C-R	471567!
7462	C-R	470954!	75030	C-R	415867	75359	GRAY	470380!	7572	FULLE	417181!
74630121	FI-AL	J1123	75030	FITZ	5M81	7535A	C-R	470334!	75721	FITZ	5M497
74630273	FI-AL	415165H*=	75035	C-R	415867	7536	C-R	471554!	75724	FITZ	5M544
7464	C-R	470954!	75036	C-R	415867	7536	DICO	204029	7573	C-R	471567!
746463-1	SPICE	473215!	75040	SPICE	415001!	7536	DICO	204507!	75767	ALLCH	455820
7465	C-R	470954!	7505	C-R	471554!	75360	GRAY	472439	7577A	C-R	415001!
74658	WAUKE	471821!	75050	C-R	415551*	75361	GRAY	411253!	7579	C-R	471567!
7467	C-R	470954	75052	C-R	415551=	75362	GRAY	416921!	7579A	C-R	473464!
7469	C-R	470954!	750530	C-R	417780*	7537	AT SU	7537S	7579A	C-R	473464
7474	C-R	480821!	750530M1	C-R	417780*	7537	C-R	471554	757A7	WHITE	471192
7475	C-R	480821!	75054	DGASK	BS40380	753764	DAVIS	350936	7580	C-R	471567!
7475	C-R	7013S	7506	FAIRB	415072	7538	C-R	481443!	7580A	C-R	350435
747528	C-R	455297	7506	GR-DV	415072	7539	FULLE	415041	758463-7	SPICE	413247=
747530	C-R	417780	7506	MINMA	415072	754036	DAVIS	471466	758463-8	SPICE	473229=
747616	C-R	415294!	75060	C-R	415551	754044	DAVIS	240735	758463-9	SPICE	473204=
74764	C-R	415074	75061	C-R	415551	75416	FITZ	5M289	75856TA	TRSCM	415867
74766	C-R	455583N!	75066	C-R	455583N!*	7542	ALOY	493291	7587	C-R	471567!
74768	C-R	455480!	75066M1	C-R	455583N!*	7542	C-R	471554!	7588	C-R	450340
7478	C-R	470954!*	7506K	SUL	415072	754226	DAVIS	472397!	758A7	WHITE	473227
74789	WAUKE	471442!	7507A	C-R	473367	7542B	CATER	411253!	759008A	HARWA	75X90X10
7479	C-R	480821!	7507A	C-R	473367!	7542B	HYST	411253!	75908F	DIA	5405
7479	C-R	7013S	7508	C-R	471554!*	75453	FITZ	5MR71	7591	ALOY	331228H
7480	C-R	470954	75088	ALLCH	415138!	7545A	C-R	413469!	7591	C-R	471498*
74800	C-R	185X215X16	75089	FITZ	5M89	754642	SPICE	418028	7591	DOMGA	331228H
74805	C-R	190X220X15	750A6	C-R	415072*	754642	SPICE	455137!	7593	C-R	471498*
74805	C-R	190X220X16!	750H6	C-R	415072*	75479	FITZ	5MR71	7594	ALOY	3677
74808	C-R	190X225X16V	750H66-TB	C-R	455583N!	7548	C-R	471554!	7594	ALOY	41257
7481	ALOY	8935S	750W34-L	C-R	5405	75480	FITZ	5MR71	759704-C91	IH	370019A
7481	C-R	480821	7510	C-R	471554!*	7548S	SPG	3095	7599	C-R	471498*
7481	SPICE	474131	7510512A	HARWA	75X105X13	7549	C-R	471554!	759A7	WHITE	471795
7481	SPICE	480821!	7510A	C-R	350364	75498	FITZ	5M356	75DT7052A3A	FORD	2655
74818	C-R	190X230X16	7511013B	HARWA	75X110X12	755020C	SPG	473244	75KH-16	MACK	5578\$
74819990	FI-AL	416556!	75111	WAUKE	470059	75503	FITZ	5M445	75WT7657AA	FORD	2443
74819990	FI-AL	472157	75111	WAUKE	470380!	755185C	SPG	415483!	75X100X10ASN	ISP	75X100X10
7482	C-R	480821!	75117	WAUKE	470059	755238C	SPG	3341	75X100X12SC	TRSCM	75X100X12!
7484	C-R	471554!	75117	WAUKE	470380!	75531	CROWN	471442!	75X100X12TC	TRSCM	75X100X12!
7484	SPICE	471554!	75117A	WAUKE	470059	755324C	SPG	472655	75X105X13	SIMRT	75X105X13
74841	GRAM	473471	75117A	WAUKE	470380!	7554	C-R	471567!*	75X105X13SC	TRSCM	75X105X13
74854	ALLCH	415138!	7512	C-R	471554!	755463-1	SPICE	473204	75X105X13TC	TRSCM	75X105X13
748616M1	C-R	415294!	7512	EATON	415991	755463-2	SPICE	473204	75X110X12	SIMRT	75X110X12
7487	AT SU	7994S	7512	FULLE	415991	755463-3	SPICE	470954	75X110X12SC	TRSCM	75X110X12
7487	SPG	7994S	7513	C-R	471554!	755463-4	SPICE	471854!	75X110X12TC	TRSCM	75X110X12
748H6	C-R	415072*	751369	MARMO	470088	7554655	SPICE	473204	75X115X12AN	ISP	75X115X12
74907118	FI-AL	416297	751463-1	SPICE	415379	7555	C-R	471567!	75X90X10	SIMRT	75X90X10
749077	DAVIS	471766	7515	C-R	471554!	75569	FITZ	5M81	75X90X10SC	TRSCM	75X90X10
749234	DAVIS	340815	7517	C-R	471554!	75573	FITZ	5MR71	75X90X10TC	TRSCM	75X90X10
749242	DAVIS	471341!	7520	C-R	471554!	755781	CLARK	471750!	75X90X8ASN	ISP	75X90X8

! Industrial Size/Type * Minor Width Difference \$F-M Number Is Part Of A Kit
 = The U.S. customer service number is 877-4-TIMKEN. The Canadian customer service numbers are 800-565-4927 (English) and 800-565-0438 (French-Canadian).

NUMERICAL INTERCHANGE

Zero Duplication or Recommended Industrial		Zero Duplication or Recommended Industrial		Zero Duplication or Recommended Industrial		Zero Duplication or Recommended Industrial						
Mfr. No.	Name	Mfr. No.	Name	Mfr. No.	Name	Mfr. No.	Name					
75X95X10SC	TRSCM	75X95X10		76851	BENDI	330385!	7701349595	RENAU	225020	77585	C-R	417115
75X95X10TC	TRSCM	75X95X10		76865TA	TRSCM	416102	7701349596	RENAU	229005	77595	C-R	457149N=
760040M1	MASSE	330385		76872	BENDI	471570!	7701349625	AMC	223005	776438R1	IH	473437
760082A	SPG	712144		7689	C-R	470390*	7701349626	RENAU	1172	77672	HYST	470898
760096C	SPG	473446		7689S	SPG	473473	7701349629	RENAU	1172	77692	HYST	470898
7602	CHAMP	471692!		7690	C-R	470390	770308097	AMC	3771	7769S	SPG	6241S
7603	CHAMP	471791		76916TA	TRSCM	417598	7703087035	RENAU	228010	777	GARLK	481864
7604	CHAMP	473239		7692	C-R	473407	7703087057	RENAU	1906	77714	SPG	77714
760463-1	SPICE	417040		7693	C-R	472649	7703087068	RENAU	1970	7772	FULLE	412861
7607A	C-R	472354!		76946	BENDI	472179	7703087071	RENAU	1906	77732A	BENDI	471554!
760885-C91	IH	370023A		76976	WAUKE	471281!	7703087075	RENAU	35X50X8!	77734	AM WH	471689!
760886-C91	IH	HU066A		76VB1175BA	FORD	2820=	7703087075	RENAU	3771	7774634	SPICE	473238!
760908M1	MASSE	471137		76X13	GARLK	330385!	7703087079	RENAU	224520	77746343	SPICE	473238!
761109	ELRNG	25598		76X1329	GARLK	472015!	7703087079	RENAU	45X60X10!	7775N	NATL	417354!
7612S	NATL	353135		76X1482	GARLK	471138!	7703087080	RENAU	228010	777J-1	OSHKO	415937!
7612S	NATL	474278!		76X291	GARLK	471649!	7703087087	RENAU	223610	778037	WHITE	45637S
761463-1	SPICE	472439		76X3130	GARLK	415938	7703087087	RENAU	710197!	7780N	SPG	7780
761463-2	SPICE	472164!		76X4701	GARLK	472954	7703087097	AMC	3771	77819H	IH	410987!
761591-C91	IH	HU028A		76X5085	GARLK	481537	7703087104	RENAU	223010	77819H	IH	450686
761592-C1	IH	730001		76X51	GARLK	471526!	7703087106	RENAU	223606	7782N	NATL	2942
761654M1	MASSE	412473!		76X541	GARLK	471192	7703445	FT-WA	470954	77926SA	TRSCM	455406!
7618	AT SU	9150S		76X6099	GARLK	481397	7704631	SPICE	415035	7797	EATON	5MR71
761882M1	MASSE	417181!		76X6103	GARLK	471529	77049	CROWN	417485	77993	HYST	470954
7618S	SPG	9150S		76X6113	GARLK	1049	7705	FULLE	417172	779D6	WHITE	5957S
761D6	WHITE	5471		76X6156	GARLK	471270!	7707246	GMC	471766=	77TK3K169A1A	FOOTE	3392
76208C	DIA	6270		76X6169	GARLK	471652	770895	EL-PA	450084!	77TTT3K169A9A	FORD	3392
76210	C-R	416102		76X6186	GARLK	7412S	770914	EL-PA	473215!	77TTT7048AA	FORD	3388
76215	C-R	416102		76X714	GARLK	473229	77099	MATHR	39920	78	C-R	415196!
762463-1	SPICE	J1139=		76X7482	GARLK	455583N!	771018	EL-PA	473010	7800	C-R	19X32X7!
76246361	SPICE	370043A		76X7488	GARLK	471551!	7710663	GMC	471281=	7800	C-R	19X32X8!
76250	C-R	417598		76X7501	GARLK	330699!	771081	EL-PA	410102	78016	HYST	473459
76251	C-R	417598		76X7504	GARLK	472705!	771085	EL-PA	473471	7801626	GMC	313842
76255	C-R	417598		76X7510	GARLK	472311!	77115	HYST	416107!	7802160	GMC	480821!
7627	C-R	471643!		76X7512	GARLK	1037	7714892	WESTO	35301	780316C91	IH	370124A
7628	C-R	471643!		76X7517	GARLK	481163!	7715014	WESTO	35300	78062	WAUKE	473227!
762D6	WHITE	JV701		76X7518	GARLK	471766!	7715857	WESTO	35001	78062	WAYNE	473227
7631	C-R	471643!		76X7520	GARLK	340853	7715881	WESTO	35094	7808195	GMC	7013S
763123	AVCO	42081S!		76X7521	GARLK	472354!	7715915	WESTO	35402	78083	CHRYS	474281!
7632452	FIAT	713063		76X7534	GARLK	476842	7715923	WESTO	35410	78084	AM WH	473313
7632453	FIAT	713054		76X8356	GARLK	481481	7715956	WESTO	35486	780D6	WHITE	415437!
76334	CHRYS	5711		76X88	GARLK	471466!	7715S	C-R	2655	780D6	WHITE	415437
763461-1	SPICE	100495		76X8949	GARLK	481481	7716012	WESTO	35316	781175	FORD	5877
763461-1	SPICE	417349		76X8952	GARLK	471633!	7716020	WESTO	35361	781175A	FORD	5877
7635	C-R	471684!		76X9489	GARLK	471570!	771723C91	IH	370021A	7814	C-R	470601
7636	C-R	471684!		76X9490	GARLK	471649!	77173R91	IH	410825	781564-C92	IH	HU110A
76364	C-R	457874		76X9675	GARLK	450400	7718472	BRADF	476470	781565-C91	IH	HU009A
76364	GR-DV	457874		76X9879	GARLK	335924N	7721	NATL	5113	7816612	GMC	251511
76364M1	C-R	457874		76X9971	GARLK	481181!	7721	NATL	7721!	7824N	SPG	471193
76368	C-R	55316=		76X9975	GARLK	472015!	7723	TRAC	450313	7825S	SPG	473228!
76368M1	C-R	55316=		76X9991	GARLK	481443!	772E-11	CLARK	416271!	7826470	GMC	PSK-1
763831	CLARK	455197N		76X9992	GARLK	480581	772E-13	CLARK	416271!	78274	HARRI	472560N!
763B516-L	C-R	8635S		7700517057	RENAU	228010	7735S	NATL	471652	7828	C-R	481443!*
7640	C-R	471684!		7700522314	RENAU	35X50X8!	7740	C-R	254270	7828565	GMC	471267
7641	C-R	471684!		7700522314	RENAU	3771	7741	FULLE	475384	7829	C-R	481443!*
76436	GMC	474278!		7700695940	RENAU	716102	7745	C-R	222028	7829887	GMC	222510
76447	CHRYS	450084!		7700714702	AMC	222556	77499H	IH	417488!	7831	C-R	481443!*
7645	C-R	471684!		7700718598	AMC	222267	7750	C-R	8750S	7832	C-R	481443!*
7646	C-R	471684!		7700718598	RENAU	222267	775048E	SPG	471272	7832730	GMC	222025
76470H	IH	471553!		7700719273	RENAU	223005	77518H	IH	415991	7833	C-R	481443!*
76490H	IH	471787!		7700719274	RENAU	225020	77518H	IH	455146!	7834	C-R	481443!
765110B	SPERY	417344!		7700725410	RENAU	222556	77530	C-R	457299	7835	C-R	481443!
765110B	VICK	417344!		7700742021	RENAU	222267	77540	C-R	455406!	7835A	C-R	471835!
765143	VICK	472397!		7700743161	RENAU	228010	77550	C-R	455406!	7836	C-R	481443!
7654634	SPICE	415138!		7700853373	CHRYS	229005	77551	C-R	455406!	7836431	GMC	222510
7657423	FIAT	713070		7700853373	RENAU	229005	775612	C-R	55242	7837	C-R	481443!
7660	C-R	450033		7700854841	RENAU	713151	77568	C-R	417562	78371	HYST	5705*=
7660	C-R	473406		7700854842	RENAU	1172	77568	FAIRB	417562	7837492	GMC	7013S
7661	C-R	473406!*		7700854852	RENAU	1172	77568M1	C-R	417562	7838143	GMC	710285
766571-C91	IH	370003A		7700859691	RENAU	3771	775698C91	IH	370003A	7838145	GMC	710285
7679S	SPG	7934S		7701348114	RENAU	713150	7756S	SPG	470380!	7839589	GMC	221925
768463-4	SPICE	470898		7701349138	RENAU	1172	7756S	SPG	472189A!	7839S	SPG	7399S!
7684631	SPICE	471272!		7701349595	AMC	225020	7757	SPG	40576S	7841A	C-R	473010

! Industrial Size/Type * Minor Width Difference

= The U.S. customer service number is 877-4-TIMKEN. The Canadian customer service numbers are 800-565-4927 (English) and 800-565-0438 (French-Canadian).

Mfr. No.	Name	Zero Duplication or Recommended Industrial	Mfr. No.	Name	Zero Duplication or Recommended Industrial	Mfr. No.	Name	Zero Duplication or Recommended Industrial	Mfr. No.	Name	Zero Duplication or Recommended Industrial
7843	C-R	481443!	78X837	GARLK	473234!	794408C91	NAVST	380048A	7B2174	CATER	471192
7845	C-R	451031=	78X9508	GARLK	471466!	7945	C-R	20X40X7V	7B2174	WESTR	471192
78451	WIP-L	5433	78X9509	GARLK	471264!	79470	EATON	9773	7B280	CATER	471554!
7848	C-R	481568!*	78X9994	GARLK	471689!	7950	C-R	20X42X7	7B3568	CATER	416154!
7849	C-R	481568!	79-339710	BUC-E	416888!	7950	C-R	222060	7B368	CATER	416154!
784911	CLARK	473229	79-39910	BUC-E	416888!	7950265040	NRWST	415551	7B3736	CATER	415007
784959	CLARK	5778	7900	C-R	20X30X5	7952	C-R	20X47X7	7B3785	CATER	415035
7852	C-R	481568!*	7900	C-R	222025	79526	DGASK	72665	7B3785	CATER	415035!
7853A	C-R	415458!	7901	C-R	20X28X6	7953	C-R	20X42X7V	7B430	CATER	417316!
7854A	C-R	415437!	7902	C-R	20X28X6	7954	C-R	20X47X7	7B4375	CATER	471526!
7854A	C-R	415437!	7902A	C-R	411253!	79567H	IH	415449!	7B4624	CATER	412871!
78552	BENDI	330385!	7904	C-R	20X30X7V	7959	HYST	415351!	7B4962	CATER	417621!
7859	C-R	481568!	79043163	IVECO	713115	7960	C-R	20X46X7	7B5425	CATER	415449!
7860	EATON	416654!	7905	C-R	20X30X7!	796135	GMC	730003	7B556	CATER	471255!
78650	C-R	455397	7905	C-R	222025	79634H	IH	473238	7B8320	CATER	471570!
7866A	C-R	416865!	79057	EATON	470565=	7965	C-R	20X47X7	7B8821	CATER	412473!
7867A	C-R	415371	79058080	NEHO	713149	7966	C-R	20X47X7	7C-1728	CATER	39044
786D6	WHITE	415060	7907	C-R	20X31X7	7966589	WILYS	450588!	7C-1728	CATER	39883
786D6	WHITE	455060	7909	C-R	20X30X7V	7966691	WILYS	471765!	7C1813	CATER	39926
78703	C-R	200X230X15V	790963	GMC	416664!	79667H	IH	411253!	7C3570	CATER	39881
78705	C-R	200X230X15!	790964	GMC	471271!	79668H	IH	416654	7C3571	CATER	39880
787052	FORD	472258	7910	C-R	20X32X7!	7967	C-R	20X47X7V	7C4163	CATER	39882
7871	C-R	481644*	7910	C-R	222020	7967A	C-R	473467!	7C4297	CATER	39886
78712	WAUKE	472354!	79102111	CHRYSL	470059N	7968	C-R	20X47X7V	7C6660	CATER	415303
7872	C-R	481644	7912	C-R	20X32X7	79680H	IH	470530!	7C7473	CATER	J2608
78725	C-R	417657=	7912	TOWNR	6575S	79688H	IH	416654	7D003	SHOV	470088
7873	HYST	474281!	7914	C-R	222025!	7970	C-R	20X48X7	7D011	SHOV	455336
78730	C-R	455397	791436	CLARK	240735	7975	C-R	20X50X7	7D33	CATER	416292
78738	C-R	455121*	791471	GMC	4561V	797624M1	C-R	415327*	7D7837	CASE	200799=
78740	C-R	455121	791471	GMC	5602	7979453	AMC	473367	7D9007	CATER	352541
78741	C-R	455121	7915	C-R	20X35X7!	7979453	AMC	473367!	7E7589	CATER	39880
7875	C-R	481644*	7915	C-R	222030	7979455	AMC	473367!	7E7589	CATER	39881
7878	C-R	481644	7916	C-R	20X35X7	7979455	AMC	473367	7EA6700	FORD	473010
78780	C-R	417016	7917	C-R	20X35X7*	7979456	AMC	472826!	7EQ1174	FORD	5401\$
787D6	WHITE	416130!	7918	C-R	222020	7980	C-R	20X52X7	7EQ1175	FORD	6270
7882A	C-R	473215!	7919	C-R	20X36X7	7981	C-R	20X52X7	7EQ1175A	FORD	6270
7884	C-R	471337	7919S	SPG	471821!	7983	C-R	20X52X7	7EQ1181	FORD	5401
788484C91	IH	370001A	7920	C-R	20X36X7	7985071	AMC	410708	7EQ1181A	FORD	5401
788485C91	IH	370023A	7920	C-R	222036	798528	GMC	415007	7EQ1181A2	FORD	5401
788524	C-R	416024	7921	C-R	20X36X7	7989	WOODB	455079!	7EQ4676	FORD	412119
78857	EATON	412473	7921	C-R	222036	79903	EATON	253099	7EQ4813	FORD	470898!
7885A	C-R	417316!	7922	C-R	222030	7993	TOWNR	200110	7EQH1174	FORD	6532S=
7886	C-R	471337	7923	C-R	222030	79950	C-R	415656	7EQH1175	FORD	456618
7886	JOY	417563	7924	C-R	222036	799527	CLARK	471570!	7EQH1181	FORD	6532S=
788612	C-R	417563	7925	C-R	20X37X7	799528	CLARK	471267!	7EQH4168	FORD	5M867
788612	HU-WR	417563	7925	C-R	20X37X8	799529	CLARK	471413!	7EQH4676	FORD	415458!
788612M1	C-R	417563	7926	C-R	20X35X7*	799530	CLARK	470625!	7F2063	CATER	471763
7888	C-R	471337	7929	C-R	20X35X7!	799531	CLARK	473227!	7F3211	CATER	472439
7889	C-R	474273!	7929	C-R	222030	79960	C-R	415656*	7F3536	CATER	474278!
788CP612-L	C-R	417563	7930	C-R	20X38X7	79961	C-R	415656*	7F3536	CATER	6859S
7890	C-R	474273	79302	C-R	417817	799845	GMC	473462	7F4236	CATER	456057
7893A	C-R	471689!	79303	C-R	417817	79997	C-R	417600	7F5916	CATER	415551
789W612	C-R	417563	793246	GMC	100495	79998	C-R	417600	7F5921	CATER	417350!
78D	HWY	417518	793246	GMC	5601	799990	GMC	50075=	7F6885	CATER	417487
78M1	WHITE	50468	7933	C-R	20X38X7	799D5	WHITE	415137!	7F9214	CATER	415035
78X100X10SC	TRSCM	78X100X10	7934	SPG	7934S	799D5	WHITE	418028	7H2199	CATER	415213N
78X100X10TC	TRSCM	78X100X10	793666	GMC	417181!	7A-032077	FWD	323138!	7H6991	CATER	412943
78X114	GARLK	471553!	7937H	SPG	473473	7A-032078	FWD	450400	7H7107	CATER	472015!
78X1474	GARLK	471272!	79385	HYST	415991!	7A032074	FWD	474276!	7J6582	CATER	417211!
78X2120	GARLK	417344!	79385	HYST	415991	7A1110	OLIVE	412473!	7J6583	CATER	415991
78X542	GARLK	471192	79387	HYST	471271!	7A1110	WHITE	412473!	7J6583	CATER	455146!
78X550	GARLK	470950!	79388	HYST	417181!	7A1443A	OLIVE	417621!	7J7673	CATER	471466
78X550	GARLK	6241S	79389	HYST	416271!	7A1443B	OLIVE	417343!	7K2009	CATER	471138!
78X6231	GARLK	473231!	7940	C-R	20X40X7!	7A1582	OLIVE	472164!	7K2830	CATER	415458!
78X6252	GARLK	472164!	7940	C-R	222050	7A1590	OLIVE	470334!	7K9201	CATER	710023
78X6436	GARLK	476820	7941	C-R	20X40X7V	7A2125	OLIVE	470954	7K9202	CATER	710024
78X648	GARLK	470380!	7941	FMS	472560N	7A930	OLIVE	470954!	7K9203	CATER	710025
78X6870	GARLK	455134!	7941	HYST	415988	7B0280	CATER	471554	7K9204	CATER	710026
78X7033	GARLK	470954!	79416	DGASK	13338	7B0368	CATER	416154!	7K9205	CATER	710027
78X7090	GARLK	471271!	7942	C-R	20X40X7	7B1955	CATER	417621=	7K9206	CATER	710027
78X7256	GARLK	472446	7944	C-R	20X40X7V	7B1955	SKIL	417621=	7K9208	CATER	710038
78X7295	GARLK	416127	794408C91	NAVST	370048A	7B2051	CATER	413469	7K9209	CATER	710028

! Industrial Size/Type * Minor Width Difference \$ F-M Number Is Part Of A Kit
 = The U.S. customer service number is 877-4-TIMKEN. The Canadian customer service numbers are 800-565-4927 (English) and 800-565-0438 (French-Canadian).

NUMERICAL INTERCHANGE

Mfr. No.	Name	Zero Duplication or Recommended Industrial	Mfr. No.	Name	Zero Duplication or Recommended Industrial	Mfr. No.	Name	Zero Duplication or Recommended Industrial	Mfr. No.	Name	Zero Duplication or Recommended Industrial
7K9211	CATER	710030	80010	C-R	417601	8007	C-R	416364!	80140	MCCOR	6241S
7K9214	CATER	710035	800100	MICH	417602!*	8007	ONAN	471766!	80141	MCCOR	470625!
7K9216	CATER	710036	8001000	UNIVE	417602!	80071	MCCOR	472560N!	80146	MCCOR	473226
7K9217	CATER	710031	800108	GMC	471272=	8007118	GW	471341!	80147	MCCOR	473228
7K9219	CATER	710037	80012	MCCOR	450044	800716	ALLCH	340771	80148	MCCOR	473229
7K9220	CATER	710032	800128	HESST	410989	80072	MCCOR	473438	8015	C-R	471539!
7L2343	CASE	470625!	800128	HESST	470989	80076	MCCOR	473228!	8016	C-R	471539!
7L2345	CATER	470625!	80013	MCCOR	472287!	80079	MCCOR	472354!	80161	MCCOR	471763
7L6383	CATER	472015=	80014	MCCOR	471570!	800797	ALLCH	472311!	80162	MCCOR	473215!
7L6608	CATER	455134=	80015	MCCOR	450040	8008	KINNR	481073	80164	MCCOR	473367
7M2492	CATER	441130	80016	MCCOR	473215!	80080	C-R	417602!	801641	AM HO	416107!
7M3956	CATER	472810*	800166	ALLCH	470334!	80080	MCCOR	470950!	801641	AM HO	455073
7M4236	CATER	456057	80016602	ALLCH	470334!	80080	MCCOR	6241S	801642	AM HO	417554!
7M7525	CATER	471649	800181	ALLCH	471787!	80081	C-R	417602!*	80166	MCCOR	471264
7M8451	CATER	415379	80018R91	IH	5406	80083	MCCOR	471820	80167	MCCOR	240119
7M8680	CATER	473235!	80020	C-R	417601	80084	C-R	417602!*	80168	MCCOR	471224
7M8805	CATER	473367!	80021	C-R	417601	80085	C-R	417602!*	80169	MCCOR	470954
7M8805	CATER	473367	800223	ALLCH	474272!	80089	MCCOR	472258	8017	C-R	471539!*
7M8930	CATER	470059	800225	ALLCH	412473!	80090	C-R	417602!*	801723	WILYS	340413
7M8930	CATER	470380!	80022505	ALLCH	412473!	80090	MCCOR	473211!	80174	MCCOR	471281!
7N1999	CATER	5613!	80028	MCCOR	473234	800906	ALLCH	471868	80175	MCCOR	471466!
7NF-08	GEM	6703S	80030	MCCOR	450666	80090602	ALLCH	471868	8017591	GMC	350364
7NF-09	GEM	6703S	80032	MCCOR	471689!	80091	MCCOR	471192	80175S	MCCOR	471466!
7NF-09	ROSS	6703S	80034	MCCOR	471354!	8009164	GW	40316S	80176	MCCOR	50010
7QH1175	FORD	370023A	80034S	MCCOR	471354!	80092	C-R	415052	80177	MCCOR	471472!
7RA7657	FORD	473228!	80035	C-R	417602!	80092	MCCOR	50468	80177A	AM HO	416158
7S6798	CATER	330385	80035	MCCOR	480630!	80093	MCCOR	472164!	80178JA	PARK	416342=
7W3200	CATER	39801	800351	ALLCH	471765!	80093H	IH	470059	80179	MCCOR	471549!
7W6130	CATER	5613!	80036	C-R	417602!	80093H	IH	470380!	80179AA	PARK	7973S
7W6131	CATER	5613!	80037	C-R	417602!	80095	MCCOR	6936S	80179AQ	PARK	416865!
7X16X7	FORSH	7X16X7	800371	ALLCH	471649!	80096	MCCOR	474264	80179BP	PARK	415867
7X16X7	SIMRT	7X16X7	80037103	ALLCH	471649!	80097	C-R	7131	80179HY	PARK	415725!
7X16X7SC	TRSCM	7X16X7	80038	C-R	417602!	80097	MCCOR	473367!	80179HZ	PARK	417254
7X16X7TC	TRSCM	7X16X7	8003854	GMC	450165	80097	MCCOR	473367	80179JA	PARK	416342=
7X22X7	FORSH	7X22X7	8003854	GMC	471801!	80099	MCCOR	470625!	80179JE	PARK	415072
7X22X7	SIMRT	7X22X7	8003855	GMC	417316!	800A616	C-R	416229	80179KF	PARK	473179!
7X22X7SC	TRSCM	7X22X7	80040	C-R	417602!	801006TA	TRSCM	417602!	80179KH	REPU	416664!
7X22X7TC	TRSCM	7X22X7	80042	MCCOR	471750!	80101	MCCOR	450173	80179KJ	REPU	476470
7X4742	CATER	417247=	8004633	GMC	416888	80102	MCCOR	471766!	80179KJ	REPU	476470!
7X4779	CATER	4603V=	8004670	GMC	416888	80102S	MCCOR	471766!	80180	MCCOR	471255!
7X658	CATER	J1984* =	8004670	GMC	455137!	80103	MCCOR	471765!	80180S	MCCOR	471255!
7XA745	OLIVE	5514!	8004673	GMC	473449	80105	MCCOR	471835!	80181	MCCOR	50026
7XA864	OLIVE	415303!	8004846	GMC	471621!	80106	MCCOR	472705!	801816	WILYS	340787
7Y1039	CHRY	473215!	8004848	GMC	472397!	80107	MCCOR	471553!	80182	MCCOR	471554!
7Y1039	DIA	473215!	8004855	GMC	416888	80108	MCCOR	476838!	80182S	MCCOR	471554!
7Y1039	GW	473215!	8004866	GMC	472636!	80108S	MCCOR	476838!	80183	MCCOR	471567!
7Y1039	IH	473215!	8004867	GMC	472397!	80109	GW	471224!	80183S	MCCOR	471567!
7Y1039	WHITE	473215!	8004885	GMC	471504!	80109	IH	471224!	80184	MCCOR	473414
7Y1040	CHRY	450593!	80051344	FALCK	417567	80109	MCCOR	5M406=	80185	MCCOR	471137
7Y1040	DIA	450593!	80051353	FALCK	415035!	80109	WHITE	471224!	80186	MCCOR	450039
7Y1040	GW	450593!	80051353	FALCK	415035!	80110	MCCOR	481644	80188	MCCOR	450048
7Y1040	IH	450593!	80051354	FALCK	416292	80111	MCCOR	450165	80189	MCCOR	473427
7Y1040	KEN	450593!	800537	ALLCH	240414	80111	MCCOR	471801!	8019	C-R	471539
7Y1040	WHITE	450593!	80055	C-R	417602!	80112	MCCOR	471192	80190	MCCOR	450054
7Y1255	GW	471554!	80056	MCCOR	473213!	80113	MCCOR	470606!	80191	MCCOR	473225!
7Y1518	GW	471224!	80058	MCCOR	473228	80114R1	IH	240009	80192	MCCOR	470059
8 BL-KN		415196!	80059	MCCOR	473419	80118	MCCOR	470625!	80192	MCCOR	470380!
8-94336316-0	GMC	710080	80060	C-R	417602!*	80120	MCCOR	473231	80192S	MCCOR	470059
8-94367958-0	GMC	710080	80060	MCCOR	474253	8012013A	HARWA	80X120X13	80192S	MCCOR	470380!
8-94367960-1	GMC	710081	800616	B-L-H	416229	80120S	MCCOR	473231	80193	MCCOR	474264
8-97023977-1	GMC	710080	800616	C-R	416229	80121	MCCOR	471787	80194	MCCOR	471821!
8-CG134	MACK	471553!	800616	GAL	416229	80122	MCCOR	472164!	80195	MCCOR	450065
8-CG175	MACK	472636!	800616	GR-DV	416229	80123	MCCOR	473227!	80197	MCCOR	471442!
8-EJW32	MACK	450307	800616	MINMA	416229	80124	MCCOR	450400	80198	MCCOR	450129
80-0616	BUC-E	416229	800616M1	C-R	416229	80125	MCCOR	470774!	80198	MCCOR	472826!
800	NEA	35402	800624	C-R	415327	80126	MCCOR	450593!	80198S	MCCOR	450129
800	UNIVE	417602!	80063212	TROS	416229	80127	MCCOR	353141!	80198S	MCCOR	472826!
80000	C-R	417600	80063216	TROS	416229	80128	MCCOR	470004!	802	UNIVE	455123*
800001-043	MERCE	100X130X12!	80064	MCCOR	5976S	80130	MCCOR	471532	8020	C-R	471539!
80001	C-R	417600	80066	MCCOR	471224!	80133	MCCOR	40576S	80200	MCCOR	471750!
800093	WILYS	5585	80068	MCCOR	473212!	80138	MCCOR	471787!	80201	MCCOR	473205
8001	C-R	6357S	80069	MCCOR	471413	80139	MCCOR	473426	80202	MCCOR	471760

! Industrial Size/Type *Minor Width Difference

=The U.S. customer service number is 877-4-TIMKEN. The Canadian customer service numbers are 800-565-4927 (English) and 800-565-0438 (French-Canadian).

Mfr. No.	Name	Zero Duplication or Recommended Industrial	Mfr. No.	Name	Zero Duplication or Recommended Industrial	Mfr. No.	Name	Zero Duplication or Recommended Industrial	Mfr. No.	Name	Zero Duplication or Recommended Industrial
80203	MCCOR	471762!	80289	NATL	200600	8037	JN-MN	370048A	80454	MCCOR	6985
80204	MCCOR	471763	8029	C-R	471231!	803712	ALLCH	471649!	8045416	GMC	471787!
80205	MCCOR	473214	80291	MCCOR	240733	803732	ALLCH	472560N!	80455	MCCOR	6840S
80206	MCCOR	473016!	8029148	GMC	471646!	8029148	ALLCH	451583!	80456	MCCOR	6815
80207	MCCOR	471571	80293	MCCOR	240009	80374	MCCOR	240435	80458	MCCOR	473229
80208	MCCOR	450188	80295	MCCOR	340797	8037417	GMC	417481	80459	MCCOR	473367!
80209	MCCOR	473010	80296	MCCOR	471526!	8037418	GMC	418028	80459	MCCOR	473367
80212	MCCOR	50199S!	80297	MCCOR	6489	8037418	GMC	455137!	80461	MCCOR	40438S
80212	MCCOR	6863S!	80298	MCCOR	473228	803764	WILYS	370021A	80462	MCCOR	470954
80213	MCCOR	471231!	80299	MCCOR	471224!	80377	MCCOR	240414	80463	MCCOR	470774!
80213S	MCCOR	471231!	8030	C-R	471231!	80378	MCCOR	481073	8046320	SPICE	415379
80214	MCCOR	471646!	80300	MCCOR	471276	80379	MCCOR	240319	8046320	SPICE	415379!
80215	MCCOR	471647	80301	MCCOR	471765!	80380	MCCOR	240462	8046333	SPICE	456744N
80216	MCCOR	471649!	80302	MCCOR	472258!	80381	MCCOR	450033	8046339	SPICE	416921!
80217	MCCOR	471733	80303	MCCOR	471827	80383	MCCOR	471692!	804634	SPICE	100495
80218	MCCOR	470712!	80304	MCCOR	471829	80387	MCCOR	6312	804634	SPICE	417349
80219	MCCOR	471785!	80305	MCCOR	473445	80388	MCCOR	472287!	80464	MCCOR	6241S
80219S	MCCOR	471785!	80305S	MCCOR	473445	80389	MCCOR	473421	80465	MCCOR	474278!
8022	C-R	471539!	80306	MCCOR	450398	80390	MCCOR	473367	80465	MCCOR	6859S
80220	MCCOR	471795	80306	MCCOR	471267!	803900	AMC	471787!	80466	MCCOR	471827
80221	MCCOR	473436	80307	MCCOR	471192	803900	WILYS	471787	80467	MCCOR	6966S
80222	MCCOR	50327	80308	MCCOR	471766!	80392	MCCOR	474276	80469	MCCOR	6863S!
80223	MCCOR	474255	80309	MCCOR	240319	80393	MCCOR	40328	80470	MCCOR	471076
80225	MCCOR	471504!	80310	MCCOR	472354!	80398	MCCOR	350936	8047077	GMC	413478
80226	MCCOR	474278!	80311	MCCOR	42763	80398N	MCCOR	350936	80471	MCCOR	472258
80227	MCCOR	474276!	80312	MCCOR	40468	80399	MCCOR	452222!	80473	MCCOR	470774!
80228	MCCOR	330385!	80314	MCCOR	481650	804	UNIVE	415124	80475	MCCOR	417267
80229	MCCOR	473227	80315	MCCOR	471735	80400	MCCOR	471267!	80481	MCCOR	471466!
8023	C-R	471539!	80316	MCCOR	471764!	80403	MCCOR	323138!	80483	MCCOR	350156
80230	MCCOR	353132	803162	Y-T	411330!	80405	MCCOR	470954!	80483	MCCOR	473096
80232	MCCOR	472299	80317	MCCOR	471103!	80406	MCCOR	240698	80484	MCCOR	480210!
80233	MCCOR	323138!	80317S	MCCOR	471103!	80408	MCCOR	9613S	80485	MCCOR	472951
80234	MCCOR	450482	80318	MCCOR	481443!	80409	MCCOR	471539!	80485	MCCOR	474252
8023438	FAIRB	415371	80319	MCCOR	471192	80410	MCCOR	471413!	80486	MCCOR	471688
80235	MCCOR	50490=	80320	MCCOR	473228!	804101	MICH	455123*	80487	MCCOR	471652
80237	MCCOR	473423	80321	MCCOR	471344	8041012	UNIVE	455123*	80488	MCCOR	472311!
80238	MCCOR	474276!	80324	MCCOR	471619!	80416	MCCOR	471684!	80489	MCCOR	473224!
80239	MCCOR	471255!	80329	MCCOR	473435	80418	MCCOR	481568!	80490	MCCOR	470506!
8024	FULLE	415146!	80330	MCCOR	6370N	80420	MCCOR	471526!	80491	MCCOR	471267!
8024	FULLE	415991	80332	MCCOR	471442!	80421	MCCOR	471689!	80493	MCCOR	473228!
8024	JA-MI	415146!	803329	WILYS	472560N	80422	MCCOR	40059S	80494	MCCOR	240731
8024	JA-MI	415991	80333	MCCOR	483054N	80424	MCCOR	473228!	80495	MCCOR	240735
8024	JAE	415146!	80334	MCCOR	417267	80425	MCCOR	50254=	80496	MCCOR	240736
8024	JAE	415991	80335	MCCOR	473203	80426	MCCOR	471570!	80497	MCCOR	240816
8026	FULLE	417316!	80336	MCCOR	330385	80428	MCCOR	471504!	80499	MCCOR	471224!
80269	MCCOR	5M445	80337	MCCOR	40769S	80429	MCCOR	6597S	80500	MCCOR	350364
8027	C-R	480889	80338	MCCOR	6489	8043	C-R	471231!	80501	MCCOR	471267!
8027	FULLE	417191	80339	CUMMI	473228	80430	MCCOR	471564	80502	MCCOR	254287
80272	MCCOR	6966S	80339	OLIVE	473228	80431	MCCOR	471766!	80503	MCCOR	481163!
80273	MCCOR	471413!	80341	MCCOR	472560N	80432	MCCOR	471649!	80504	MCCOR	473227
802732	ALLCH	472560N!	80342	MCCOR	340724!	8043208	GMC	455079!	8050473	GMC	471272!
80275	MCCOR	470712	80343	MCCOR	471801!	8043209	GMC	417357	80505	MCCOR	473424!
80278	MCCOR	450339	80344	MCCOR	471829	8043209	GMC	455192!	80506	MCCOR	350974!
80279	MCCOR	50402	80345	MCCOR	471571	80434	MCCOR	340815	80508	MCCOR	6759S
8027A	C-R	200640	8034503	GMC	471271!	80435	MCCOR	471750!	80509	MCCOR	6952S=
8028	JN-MN	370007A	80347	MCCOR	480630	80436	MCCOR	6597S	8051	C-R	471231!
80280	MCCOR	50462	80348	MCCOR	471765!	80437	MCCOR	471705!	80511	MCCOR	340356
80281	MCCOR	450535	80349	MCCOR	340927	80438	MCCOR	43089S	80512	MCCOR	205017
80281	MCCOR	471264!	80352	MCCOR	410059	80439	MCCOR	6760S	80513	MCCOR	471652
80282	MCCOR	450536	80352	MCCOR	470380!	8043932	GMC	471760	80513	MCCOR	482208!
80282	MCCOR	471535!	80355	MCCOR	40769S	8043933	GMC	473010	80514	MCCOR	9568
80283	MCCOR	471267!	80356	MCCOR	472164!	8043934	GMC	473226	805150	WILYS	6626S
8028356	GMC	416288!	80358	MCCOR	470954!	8044	C-R	471231!	80516	MCCOR	40185
80286	MCCOR	410059	80359	MCCOR	340787	80440	MCCOR	6241S	80517	MCCOR	473215!
80286	MCCOR	470380!	8036	JN-MN	370001A	80442	MCCOR	340210	80517A	HERCU	471689!
80287	MCCOR	400675=	80360	MCCOR	340413	80444	MCCOR	470954!	80518	MCCOR	472810!
8028747	GMC	470088	80362	MCCOR	474279N	80446	MCCOR	340771	8052	C-R	471231!
8028752	GMC	471689!	80365	MCCOR	471765!	80447	MCCOR	240470	80522	MCCOR	471442!
8028753	GMC	471103!	80366	MCCOR	471192	80448	MCCOR	350364	80523	MCCOR	470380!
8028754	GMC	471570!	80367	MCCOR	471529	80449	MCCOR	471264!	80524	MCCOR	450604
80288	MCCOR	240356	80368	MCCOR	254270	80450	MCCOR	481443!	80525	MCCOR	471567!
80289	MCCOR	240151	80369	MCCOR	240385	80453	MCCOR	450666	80526	MCCOR	471413

! Industrial Size/Type * Minor Width Difference

= The U.S. customer service number is 877-4-TIMKEN. The Canadian customer service numbers are 800-565-4927 (English) and 800-565-0438 (French-Canadian).

NUMERICAL INTERCHANGE

Mfr. No.	Name	Zero Duplication or Recommended Industrial	Mfr. No.	Name	Zero Duplication or Recommended Industrial	Mfr. No.	Name	Zero Duplication or Recommended Industrial	Mfr. No.	Name	Zero Duplication or Recommended Industrial
80527	MCCOR	240009	80606	MCCOR	40769S	80685	MCCOR	471652	80M13	GR-DV	J1105
80528	MCCOR	471267!	80607	MCCOR	7412S	80686	MCCOR	480821!	80M4	GR-DV	J1132
80529	MCCOR	473317	8060884	WHITE	386025A	80687	MCCOR	473228	80M5	GR-DV	J1101
80529S	MCCOR	473317	8060889	WHITE	370048A	80688	MCCOR	410059	80M6	GR-DV	J1122
805308	WILYS	40286	8060889	WHITE	380048A	80688	MCCOR	470380!	80TX116	COTTA	471192
80531	MCCOR	6966S	80609	MCCOR	474260	80690	MCCOR	9613S	80TX125	COTTA	472185!
80532	MCCOR	473231!	80610	MCCOR	41257!	80691	MCCOR	50266	80TX134	COTTA	411253!
80533	MCCOR	472164	80612	MCCOR	331228H	80692	MCCOR	7934S	80TX144	COTTA	415960!
80534	MCCOR	7018N=	80614	MCCOR	470774!	80693	MCCOR	8597S	80TX288	COTTA	455197N
80535	MCCOR	473234	80615	MCCOR	203008	80696	MCCOR	471193	80TX314	COTTA	417349!
80536	MCCOR	7686S	80616	MCCOR	353135	80697	MCCOR	471267!	80TX334	COTTA	470898
80537	MCCOR	470625!	80616	MCCOR	474278!	80698	MCCOR	51322	80TX343	COTTA	470605!
80539	MCCOR	474256	80617	MCCOR	203016	80700	MCCOR	311189	80TX410	COTTA	416125!
80540	MCCOR	340787	80618	MCCOR	471750	80701	MCCOR	7686S	80TX411	COTTA	240735
80541	MCCOR	352541	80619	MCCOR	203003	80702	MCCOR	8660S	80TX483	COTTA	416921!
80542	MCCOR	470954!	80620	MCCOR	6906S	80703	MCCOR	8705S	80TX547	COTTA	415449!
805424	AM HO	416345!	80621	MCCOR	203012	80704	MCCOR	9569S	80TX571	COTTA	472016
805424	AM HO	455033	80622	MCCOR	203025	807541	Y-T	6886S	80TX572	COTTA	471138!
805425	AM HO	415035	80623	MCCOR	203013	807608	CUSH	472287!	80TX660	COTTA	415483
805425	AM HO	415035!	80624	MCCOR	6832S	807610	CUSH	205004	80TX683	COTTA	471138!
805430	AM HO	416888!	80625	MCCOR	204008	807611	CUSH	471571	80VX1306	COTTA	J1121
805432	AM HO	415351!	80627	MCCOR	204020	807626	CUSH	240731	80VX1322	COTTA	J1103
8054341	GMC	473016!	80627	MCCOR	204505!	807630	CUSH	204020	80X100X10	NATL	228010
805449	AM HO	417298	80628	MCCOR	481073	807630	CUSH	204505!	80X100X10SC	TRSCM	80X100X10!
80545	MCCOR	471787	80629	MCCOR	50883=	807734	AM HO	415379	80X100X10TC	TRSCM	80X100X10!
80546	MCCOR	472354!	80630	MCCOR	471765	807734	AM HO	415379!	80X105X10ASN	ISP	80X105X10!
80548	MCCOR	473412	80631	MCCOR	410059	807975	AM HO	455129	80X105X13SC	TRSCM	80X105X13!
80549	MCCOR	471264!	80631	MCCOR	470380!	807VB7	MARI	417604	80X105X13TC	TRSCM	80X105X13!
8055	C-R	471231!	80632	MCCOR	450400	808	UNIVE	417604*	80X105X14	NATL	80X105X13!
80550	MCCOR	7014S	80633	MCCOR	204017	8080	C-R	353131*	80X110X10	NATL	80X110X12
80551	MCCOR	340823	80635	MCCOR	482253	808102	MICH	415124	80X110X10SC	TRSCM	80X110X10
80553	MCCOR	451583!	80636	MCCOR	203003	8081025	UNIVE	415124*	80X110X10TC	TRSCM	80X110X10
80554	MCCOR	471763	8063666	GMC	471762!	808118	AM HO	417362!	80X110X12SC	TRSCM	80X110X12
80556	MCCOR	473228	80639	MCCOR	471744!	808151	AM HO	415938	80X110X12TC	TRSCM	80X110X12
80557	MCCOR	471195!	80640	AM WH	471765!	808197	AM HO	416364!	80X116	COTTA	471192
80559	MCCOR	471224	80640	MCCOR	471195!	8083254	GMC	416271!	80X120X10ASN	ISP	80X120X10
8056	C-R	471231!*	80641	AM WH	473228	8083554	GMC	415023	80X120X13	SIMRT	80X120X13
80560	MCCOR	340853	80641	MCCOR	471821!	8083560	GMC	476470	80X120X13SC	TRSCM	80X120X13
80562	MCCOR	471267!	80643	MCCOR	203029	8087	C-R	474253!	80X120X13TC	TRSCM	80X120X13
80564	MCCOR	473454	80645	MCCOR	473228!	8088	C-R	474253*	81.96501.0410	MAN	226001
80566	MCCOR	470954	80646	MCCOR	7442H	8088	C-R	474253*	810	UNIVE	417567
80569	MCCOR	450124=	80648	MCCOR	473214	8088	C-R	474253	8100	C-R	474253!
80570	MCCOR	473426	80649	MCCOR	6241S	808VB7	MARI	415128	810041	EL-PA	473225!
80572	MCCOR	473237!	80650	MCCOR	471538	80926TA	TRSCM	417600	810090	EL-PA	412119!
80574	MCCOR	50199S!	80651	MCCOR	7886S	809323	ACF	450456!	81040	SUPER	471141!
80574	MCCOR	6863S!	80652	MCCOR	7013S	8093412	GMC	418028	81040	TRACN	471141!
805741	WILYS	471267!	8065485	GMC	412920!	8093412	GMC	455137!	810422	AM HO	416865!
80575	MCCOR	6847S	80657	MCCOR	240119	80956TA	TRSCM	417601	810427	AM HO	417247!
80576	MCCOR	340400	80658	MCCOR	7607	809864	WILYS	470625!	810441	AM HO	J1134
8057681	GMC	473228	80660	MCCOR	471827!	8099	C-R	474253!	810442	AM HO	J1136
80577	MCCOR	6703S	80661	MCCOR	7934S	8099723	GMC	472636!	810510	SUPER	413247!
80582	MCCOR	321460	80662	MCCOR	291295	8099724	GMC	470530!	810510	TRACN	413247!
80589	MCCOR	473237	80663	MCCOR	471193	809VB7	MARI	417601	810513	SUPER	472016
80590	MCCOR	7456N	80664	MCCOR	7929S	80AX755	MACK	J1288=	810518	SUPER	455290
80593	MCCOR	471193	80665	MCCOR	8059S	80AX758	MACK	J1293=	81060	GRAM	473226
80594	MCCOR	7994S	80666	MCCOR	7245	80AX763	MACK	J1123	810678	WILYS	340210
80595	MCCOR	451182	80670	MCCOR	8293S	80DT7052A3A	FORD	2655	810691	WILYS	471652
80597	MCCOR	473234!	80671	MCCOR	471827	80ET7048AA	FORD	2503	8107125	GMC	417316!
8059958	GMC	417481	80671	NATL	200640	80ET7048AA	FORD	2503N	8108	C-R	474253!
805D5	WHITE	417159	80672	MCCOR	8121S	80ET7052AA	FORD	2443	8108A	C-R	200600
805VB7	MARI	417602!	80673	MCCOR	8133S	80L1	GR-DV	J1120=	8109	C-R	474253!
806	NEA	25598	80674	MCCOR	7994S	80L2	GR-DV	J1129	810915	WILYS	350909
806	UNIVE	417022	80675	MCCOR	484054	80L4	GR-DV	J1109	810915	WILYS	471224!
8060	C-R	471231!	80676	MCCOR	342805	80L5	GR-DV	J1121	810943	WILYS	471765!
8060	JN-MN	AR10+370020A	8067692	GMC	472179	80L6	GR-DV	J1117	811011C1	IH	204029
80600	MCCOR	7188S	8067694	GMC	476838!	80L7	GR-DV	J1118	811011C1	IH	204507!
80601	MCCOR	7537S	80678	MCCOR	471766	80L8	GR-DV	J1131	81101429	BUC-E	416107!
8060152	GMC	473228	80679	MCCOR	5MR1300	80L9	GR-DV	J1119	81101429	BUC-E	455073
80602	MCCOR	7399S!	80680	MCCOR	331173	80M1	GR-DV	J1136	811035	C-W	473460
80603	MCCOR	7840S	80681	MCCOR	473454	80M10	GR-DV	J1140	811035	WOOL	473460
80604	MCCOR	7399S!	80682	MCCOR	472164	80M11	GR-DV	J1081	8110351	AMC	473228
80605	MCCOR	480210!	80683	MCCOR	472705!	80M12	GR-DV	J1107	8110371	AMC	472164!

! Industrial Size/Type *Minor Width Difference

= The U.S. customer service number is 877-4-TIMKEN. The Canadian customer service numbers are 800-565-4927 (English) and 800-565-0438 (French-Canadian).

Mfr. No.	Name	Zero Duplication or Recommended Industrial	Mfr. No.	Name	Zero Duplication or Recommended Industrial	Mfr. No.	Name	Zero Duplication or Recommended Industrial	Mfr. No.	Name	Zero Duplication or Recommended Industrial
8110486	AMC	471466!	8132504	AMC	3173	8167A	C-R	472164!	82-591953	BUC-E	417606
8111601	AMC	471267!	8132504	AMC	710928	8169240AA019	GE	471472!	82-591956	BUC-E	55222=
81122	GRAM	471820	8132672	AMC	472439	8169240AAP3	GE	330385!	82-591959	BUC-E	55239=
8112404	AMC	471267!	8132779	AMC	7412S	8169240AD10	GE	471267!	82-591960	BUC-E	55223=
8113A	C-R	417344!	813281	O-M	474256	8169240AD7	GE	481537	82-592105	BUC-E	415482
8117	SPG	8610	813282	CUSH	471643!	8169240AD9	GE	471267!	82-8714	BUC-E	471821!
812	UNIVE	415128	8132822	AMC	483793	8169240ADP1	GE	470954!	82-87259	BUC-E	470086
8120358	AMC	471766!	8132957	AMC	473442!	8169240ADP2	GE	340787	82-8751	BUC-E	415072
812041	AM HO	417247!	8133432	AMC	472572	817	GREEN	240731	8200294	EATON	471272!
812057	AM HO	455480!	8133528	AMC	3638	8173-18-216	VILA	710348	82009	MC-CL	470954!
812059	AM HO	415960	8133529	AMC	313156	817518	WHITE	240414	820106	MICH	417567
8120839	AMC	471539	8133643	AMC	341022	8178	C-R	471645!	8201062	UNIVE	417567
8120977	AMC	8935S	8134012	AMC	2506	817960	WHITE	471442!	820133	ADAMS	471267!
8120978	AMC	7300S	8134206	AMC	421	8180	C-R	471645	820133	LETN	450398
8120982	AMC	341022	8134216	AMC	472319	8181N	SPG	472070	820133	LETN	471267!
8121	SPG	8121S	8134446	AMC	710046	818604	WHITE	417181!	820213C1	IH	473317
812103	MICH	417022*	8134478	AMC	3173	81886	EATON	415483	820225C1	IH	471516!
8121037	UNIVE	417022*	8134478	AMC	710928	8189	C-R	471645	8204	SUPER	415001!
8121246	GMC	473458!	8134568	AMC	PSK-1	8190	C-R	471645	820442	EATON	3098=
8121397	AMC	722108	8134587	AMC	474127	8190535	GMC	416271!	820446	EATON	8635S
8121399	WILYS	472397!	8134680	AMC	710058	8190536	GMC	55431=	820494	ADAMS	472299
8121781	AMC	710068	8135	DAVEY	472185!	8190A	C-R	472924!	8205	C-R	471686*
8121M	BRAD	470380!	813620	C-R	417298	8193A	C-R	415449!	8206	FULLE	417316!
8122404	AMC	472258	813620	GR-DV	417298	819412	WHITE	240731	8207	FULLE	450084!
8122671	AMC	7300S	813620M1	C-R	417298	819619	WHITE	415036	8210512A	HARWA	82X105X12
8122671	CHRYSL	2465	813674	CUSH	7399S!	819685	WHITE	6649	821188	ADAMS	472185!
8122739	AMC	2506	813674	O-M	7399S!	819704	WHITE	417316!	821276	ALLCH	470059N
8122838	AMC	331228H	8137148	COC	323138!	819723	WHITE	416888!	8213	C-R	471337
8122839	AMC	331227H	8137328	COC	415697!	819819	WHITE	417344!	821366	ALLCH	471785!
8123077	AMC	473229	8137328	COC	455547	81982	CATER	412119	8214	C-R	471686*
812335	CUSH	473228!	8137329	COC	6592S=	819891	WHITE	417344!	821414C1	IH	411253!
812335	O-M	473228!	8137391	AMC	471652	81D6	WHITE	417191	8215	C-R	471686
81240	C-R	455123	8137391	AMC	482208!	81D6	WHITE	456585	821568	ALLCH	471785!
81245	C-R	455123*	8138013	AMC	2443	81DT7A248A3A	FORD	2658	821610	WABCO	471692!
81246	C-R	455123*	8139	ALLCH	415995!	81SM6700A4A	FORD	3771	821614	LETN	471652
8124630	AMC	5131	8139	TRAC	415995!	81SM6701A4A	FORD	3772	8218526	RCA	471466!
8124832	AMC	5131	813W620	C-R	417298	81SM6K292A4A	FORD	3774	8219	HYST	416271!
8124869	AMC	331227H	814	UNIVE	455129*	81T3591	FORD	474278!	8219B	HYST	416271!
8124881	AMC	3638	8140	C-R	470515	81T3591A	FORD	474278!	82201	L&N	240462
8124893	AMC	9613S	814477	CUSH	472475	82-2003	MCCOR	16213	822072	EATON	370048A
81250	C-R	455123	814477	O-M	472475	82-2005	MCCOR	16203	8220A	C-R	473228
81251	C-R	455123	814488	CUSH	473227!	82-2006	MCCOR	16205	8221321	GMC	413247!
812517	SHOV	455297	8145	C-R	471686	82-2008	MCCOR	16200	8221418	GMC	417210!
8125718	AMC	3638	8145	CHAMP	416137	82-2010	MCCOR	16211	822309	WOOL	415991
8127231	GMC	471554!	814634	SPICE	330385!	82-2011	MCCOR	16206	822309	WOOL	455146!
8127350	AMC	722109	814686	WHITE	472179	82-2014	MCCOR	16209	82246R1	IH	5M293
8127387	AMC	9613S	81473	C-R	JV1802=	82-2017	MCCOR	16212	8225	C-R	471686
8127391	AMC	3638	81474	C-R	JV1120=	82-588150	BUC-E	471554!	8226	C-R	471686
8127472	AMC	313156	81475R91	IH	471827	82-588250	BUC-E	240731	82307	AMC	5M445
8128013	AMC	2443	81476R91	IH	471827	82-588252	BUC-E	240731	8231	HYST	473232
8128016	AMC	222820	814796	WHITE	470625!	82-588330	BUC-E	470625!	8233A	C-R	473238
8128016	AMC	28X40X7!	814797	WHITE	470625!	82-588400	BUC-E	416444	823521	GWI	417488!
8128797	AMC	471539	81480	EATON	722250	82-588410	BUC-E	412861	8236	FULLE	472299
8129096	AMC	2300	814816	WHITE	415991	82-588550	BUC-E	417495	82363	GRAM	5778
8129A	C-R	415034!	814F	OSHKO	471820	82-588675	BUC-E	417512	82365	GRAM	40769S
812W34-L	C-R	5410	81516H	IH	472560N!	82-588685	BUC-E	417512	8238	HYST	415995!
8130259	AMC	3476	815177	CUSH	470625!	82-588695	BUC-E	472157!	823D6	DIA	6864S
8130762	AMC	471737	815177	O-M	470625!	82-588695	BUC-E	472157	823D6	WHITE	6864S
8130808	AMC	472572	815187	CUSH	471571	82-588705	BUC-E	416888!	8240087	RENAU	1062=
8130810	AMC	472572	815187	O-M	471571	82-588715	BUC-E	415371	824097C91	IH	472397!
8130870	AMC	3173	815219C91	IH	200752	82-588810	BUC-E	415645!	824107	MICH	415128*
8130870	AMC	710928	815405637	AUDI	58X72X8	82-588810	BUC-E	455104	8241075	UNIVE	415128*
8130982	AMC	341022	81540R91	IH	240698	82-588960	BUC-E	417362!	8244	SPG	7131
8130A	C-R	471567!	815497	WHITE	416070	82-589215	BUC-E	417298	824634	SPICE	100495
8131286	COC	470354	815816	CUSH	471766!	82-589750	BUC-E	417598	824634	SPICE	417349
8131669	AMC	711552	815947	WHITE	416070	82-589760	BUC-E	455121	824636	SPICE	415995!
8131674	AMC	471466	8160	C-R	471645*	82-590878	BUC-E	417600	824636	SPICE	415995!
8131684	AMC	3173	8160S	NATL	471827!	82-591110	BUC-E	417602!	82465612	TROS	455584
8131684	AMC	710928	816105	MICH	417604*	82-591665	BUC-E	417604	824878C91	IH	416706!
8132218	AMC	3698	8161050	UNIVE	417604	82-591815	BUC-E	455129	8249	BU-SP	470530!
8132221	AMC	9845	81673	EATON	712625	82-591847	BUC-E	415090	8250	BU-SP	473228
8132422	COC	473243	81674	EATON	712375	82-591875	BUC-E	455462	8250	C-R	473412

! Industrial Size/Type * Minor Width Difference

= The U.S. customer service number is 877-4-TIMKEN. The Canadian customer service numbers are 800-565-4927 (English) and 800-565-0438 (French-Canadian).

NUMERICAL INTERCHANGE

Zero Duplication or Recommended Industrial		Zero Duplication or Recommended Industrial		Zero Duplication or Recommended Industrial		Zero Duplication or Recommended Industrial	
Mfr. No.	Name	Mfr. No.	Name	Mfr. No.	Name	Mfr. No.	Name
825083	WHITE	5405	827974	GW	55238	83047	FWD
8251	BU-SP	417316!	827975	GW	416654!	83048	FWD
82510	C-R	455475	827976	GW	415995!	83049	FWD
82512	C-R	455475	827977	GW	415995!	8305	C-R
82515	C-R	455475	827978	GW	417621!	8305	C-R
8252	BU-SP	470682	827979	GW	417539!	83050	FWD
82526	C-R	458009V	8280	C-R	471729	83051	FWD
8253	BU-SP	417344!	8280	FULLE	472439	83052	FWD
82530	C-R	415124	828054	GW	240319	83053	FWD
8254	BU-SP	415449!	828055	GW	471413	83056	FWD
825426	WHITE	415437	8281087	UNIVE	455129*	83059	FWD
825426	WHITE	415437!	828160	GW	471138!	83061	FWD
82545	EATON	415458!	828161	GW	40566S	83065	FWD
82545	IH	415458	828171	GW	415449!	83068	FWD
82545H	IH	415458	828599	GW	472164!	83071	FWD
82546H	IH	410737!	828604	WHITE	417181!	83072	CLARK
82548	GRAM	471750!	828605	WHITE	415995!	83072	FWD
82560	C-R	415124*	828628	WHITE	415458!	83073	FWD
82562	C-R	415124	828630	WHITE	411500	83074	FWD
825624	C-R	417596	828631	WHITE	415041	83076	FWD
825624	MINMA	417596	828688	WHITE	471137	83078	FWD
82567	C-R	416951	828733	BUC-E	473459	83079	FWD
8257	C-R	417597	828742	BUC-E	50254=	83080	FWD
82570	C-R	416422	828954	GW	240319	83080	FWD
82588300	BUC-E	240736	828W34-L	C-R	6649	83083	FWD
82588303	BUC-E	473211!	829211	WHITE	471192	83084	FWD
82588490	BUC-E	470590	8293A	C-R	417316!	83086	FWD
825909	WHITE	472560N!	8294A	C-R	415995!	83089	FWD
82592078	BUC-E	55228=	829522	WHITE	330385!	830918	GW
82592080	BUC-E	55228=	829638C1	IH	476838!	830948	WHITE
825933	WHITE	471466!	829653	GW	416107!	83096	FWD
825HMS7	C-R	417597	829653	GW	455073	83097	FWD
825W34-L	C-R	5452	829672	GW	417604	830980	WHITE
8260	C-R	473412	829706	WHITE	473227	830980	WHITE
826010	WHITE	417316=	82X105X12	SIMRT	82X105X12	830997	WHITE
826047	WHITE	415035	82X105X13SC	TRSCM	82X105X13	830998	WHITE
826047	WHITE	415035!	82X105X13TC	TRSCM	82X105X13	830W34-L	C-R
826061	WHITE	6270	83000	FWD	471619!	8310	C-R
82607	C-R	210X250X15	83002	FWD	416664!	83100	FWD
82610	C-R	210X240X15	83003	FWD	481864	831006	GW
826361	WHITE	472258	83004	FWD	473214!	831006	GW
826368	ROCKW	472636!	83008	FWD	450446	831007	GW
826388	WHITE	472636!	8300992	UNIT	450084!	831008	WHITE
82668	LK-BT	JV1669=	83012	FWD	473229	83101	FWD
826W34-L	C-R	5406	83013	FWD	418028	83101	FWD
826W38-L	C-R	5408	83015	FWD	417343!	83102	FWD
8272A	C-R	411253!	830152	SPICE	473459	831048M1	MASSE
827564	WHITE	6638S	83015220	UNIT	412119!	831049M1	MASSE
827696	GW	472016	83016	FWD	415088!	831056M1	MASSE
827849	BUC-E	417487	83016	FWD	415088	831135	WHITE
827952	GW	471466!	83017	FWD	415437	831135M1	MASSE
827953	GW	471224!	830179	GW	474278!	83114	FWD
827954	GW	471765!	83018	FWD	418028	831145M1	MASSE
827955	GW	471766!	83018	FWD	455137!	83115	FWD
827956	GW	473214	830180	GW	412119!	83115	FWD
827957	GW	473016!	830181	GW	411245!	83115	WHITE
827958	GW	473229	830187	GW	411245!	83117	FWD
827959	GW	473010	83022	FWD	415085!	831222M1	MASSE
827960	GW	473232	83022	FWD	456648	831225M1	MASSE
827961	GW	472185!	83025	FWD	471835!	831236M1	MASSE
827962	GW	472179	83027	FWD	413469!	83124	FWD
827963	GW	470088	83029	FWD	473448	831245-MI	MASSE
827964	GW	472439	83030	FWD	415458!	831247M1	MASSE
827965	GW	414045!	83031	FWD	415458!	83127	FWD
827966	GW	473238	83032	FWD	471652	831281M1	MASSE
827967	GW	472924!	83036	FWD	415389	831282M1	MASSE
827968	GW	472015!	83037	FWD	417316!	831289M1	MASSE
827969	GW	472016	83039	FWD	455556	8313	HYST
827970	GW	472636!	83041	FWD	471646!	83130	FWD
827971	GW	413247!	83042	FWD	473231!	83131	FWD
827972	GW	415449!	83043	FWD	415077	83132	FWD
827973	GW	417316!	83045	FWD	455080	83136	FWD
83137	FWD	455297	83139	FWD	417158!	83140	FWD
83139	FWD	417158!	83140	FWD	416706	83141R91	IH
83140	FWD	416706	83142	FWD	455471	83142	FWD
83141R91	IH	472439	831462M1	MASSE	415483!	831462M1	MASSE
83142	FWD	455471	831468M1	MASSE	471504!	831468M1	MASSE
831462M1	MASSE	415483!	83147	FWD	455509	83147	FWD
831468M1	MASSE	471504!	8315	NATL	6815	8315	NATL
83147	FWD	455509	83150	FWD	415960!	83150	FWD
8315	NATL	6815	831522	WHITE	472560N!	831522	WHITE
83150	FWD	415960!	831534	WHITE	474278!	831534	WHITE
831522	WHITE	472560N!	831551	WHITE	323138!	831551	WHITE
831534	WHITE	474278!	831556M1	MASSE	470354	831556M1	MASSE
831551	WHITE	323138!	83158	FWD	415449!	83158	FWD
831556M1	MASSE	470354	83160	FWD	6402S=	83160	FWD
83158	FWD	415449!	831604M1	MASSE	473117	831604M1	MASSE
83160	FWD	6402S=	83161	CATER	416130!	83161	CATER
831604M1	MASSE	473117	83161	FWD	470764!	83161	FWD
83161	CATER	416130!	83161	FWD	50764	83161	FWD
83161	FWD	470764!	83163R91	IH	473231	83163R91	IH
83161	FWD	50764	83165	FWD	415899N	83165	FWD
83163R91	IH	473231	83165	FWD	416624	83165	FWD
83165	FWD	415899N	831660M1	MASSE	471649!	831660M1	MASSE
83165	FWD	416624	831689M1	MASSE	481345H=	831689M1	MASSE
831660M1	MASSE	471649!	831701M1	MASSE	240151	831701M1	MASSE
831689M1	MASSE	481345H=	83174	FWD	415458!	83174	FWD
831701M1	MASSE	240151	83175	FWD	415483	83175	FWD
83174	FWD	415458!	83176	FWD	417344!	83176	FWD
83175	FWD	415483	83177	FWD	417181!	83177	FWD
83176	FWD	417344!	831776M1	MASSE	470530!	831776M1	MASSE
83177	FWD	417181!	83178	FWD	417316!	83178	FWD
831776M1	MASSE	470530!	83180	FWD	416278	83180	FWD
83178	FWD	417316!	83183	FWD	473227	83183	FWD
83180	FWD	416278	831833M1	MASSE	472560N	831833M1	MASSE
83183	FWD	473227	83184	FWD	415302	83184	FWD
831833M1	MASSE	472560N	83184	FWD	415302	83184	FWD
83184	FWD	415302	83189M1	MASSE	416921!	83189M1	MASSE
83184	FWD	415302	831900M1	MASSE	473464!	831900M1	MASSE
83189M1	MASSE	416921!	831900M1	MASSE	473464	831900M1	MASSE
831900M1	MASSE	473464!	831901M1	MASSE	415437	831901M1	MASSE
831900M1	MASSE	473464	831902M1	MASSE	472409!	831902M1	MASSE
831901M1	MASSE	415437	83191	FWD	415137!	83191	FWD
831902M1	MASSE	472409!	83191	FWD	418028	83191	FWD
83191	FWD	415137!	831916M1	MASSE	471424!	831916M1	MASSE
83191	FWD	418028	831926M1	MASSE	473010!	831926M1	MASSE
831916M1	MASSE	471424!	83193	FWD	415035!	83193	FWD
831926M1	MASSE	473010!	831942M1	MASSE	415458!	831942M1	MASSE
83193	FWD	415035!	83195	FWD	415146!	83195	FWD
831942M1	MASSE	415458!	83195	FWD	415991	83195	FWD
83195	FWD	415146!	831959M1	MASSE	472258!	831959M1	MASSE
83195	FWD	415991	83196	FWD	416664!	83196	FWD
831959M1	MASSE	472258!	83199	FWD	J1119	83199	FWD
83196	FWD	416664!	831W34	C-R	6897=	831W34	C-R
83199	FWD	J1119	83200	FWD	472636!	83200	FWD
831W34	C-R	6897=	83200M1	MASSE	471344	83200M1	MASSE
83200	FWD	472636!	83202	FWD	J1117	83202	FWD
83200	FWD	472636!	83203	FWD	471271!	83203	FWD
83200M1	MASSE	471344	83206	FWD	415437	83206	FWD
83202	FWD	J1117	83208	FWD	370086A	83208	FWD
83203	FWD	471271!	83208	FWD	9907=	83208	FWD
83206	FWD	415437	832117M1	MASSE	473228	832117M1	MASSE
83208	FWD	370086A	832125M1	MASSE	474272	832125M1	MASSE
83208	FWD	9907=	83213	FWD	416339	83213	FWD
832117M1	MASSE	473228	83214	FWD	472492!	83214	FWD
832125M1	MASSE	474272	83215	FWD	472070	83215	FWD
83213	FWD	416339	832245M1	MASSE	470806	832245M1	MASSE
83214	FWD	472492!	832246M1	MASSE	473197	832246M1	MASSE
83215	FWD	472070	832247M1	MASSE	471344	832247M1	MASSE
832245M1	MASSE	470806	832332M1	MASSE	471271!	832332M1	MASSE
832246M1	MASSE	473197					
832247M1	MASSE	471344					
832332M1	MASSE	471271!					

! Industrial Size/Type * Minor Width Difference

= The U.S. customer service number is 877-4-TIMKEN. The Canadian customer service numbers are 800-565-4927 (English) and 800-565-0438 (French-Canadian).

Mfr. No.	Name	Zero Duplication or Recommended Industrial	Mfr. No.	Name	Zero Duplication or Recommended Industrial	Mfr. No.	Name	Zero Duplication or Recommended Industrial	Mfr. No.	Name	Zero Duplication or Recommended Industrial
832335M1	MASSE	471224	833909M1	MASSE	252277	836647	GWI	417262!	840030	SPICE	473517!
832358M1	MASSE	481371H=	833910M1	MASSE	471643!	8367711	GMC	.5381=	840030	VIC	473517!
832398M1	MASSE	240319	833911M1	MASSE	471730	8367712	GMC	.5382=	8400544	EATON	410308
832416M1	MASSE	416273!	833912M1	MASSE	471267!	8367713	GMC	J1123	8400544-00	EATON	410308
83249	HYST	40520S	833918	WHITE	418028!	8367714	GMC	415025	84006	MCCOR	5070
832521	GWI	417488!	8339811	GWI	455079!	8367715	GMC	416294!	840062	TW-CO	471549!
832586M1	MASSE	473231	834045M1	MASSE	471391!	837003	WHITE	370003A	84011	MCCOR	473459
832587M1	MASSE	417433	834052M1	MASSE	473228	837012	WHITE	417316!	84012	MCCOR	5711
832612M1	MASSE	416271!	834055M2	MASSE	471684!	837017	WHITE	415001!	84016	MCCOR	473473
832623	GWI	417509	834064M1	MASSE	415302	837200	WHITE	415991	84018	FITZ	5070
83270014	TROS	416239!	834069M1	MASSE	471870!	837200	WHITE	415991!	84021	MCCOR	473446
832731M1	MASSE	204035	834092M1	MASSE	417484!	837236	WHITE	415072	84023	MCCOR	450073
832791	WHITE	415449!	834119M1	MASSE	200167=	83739	C-R	417022	84029	FITZ	473450!
8328	FULLE	473244	834215M1	MASSE	471835!	83740	C-R	417022	84030	MCCOR	470334!
832830M1	MASSE	204013	834216M1	MASSE	470565!	837445	WHITE	471887	84031	FITZ	416738!
832834M1	MASSE	471267!	834262	WHITE	418028!	837470	WHITE	6612S	84031	FITZ	450096
832840M1	MASSE	254270	834301M1	MASSE	415263	837470A	WHITE	6612S	84032	FITZ	476838!
832841M1	MASSE	416380!	834316M1	MASSE	450492	83750	C-R	417022*	84032	MCCOR	450084!
832841M2	MASSE	416380!	834318M1	MASSE	473227!	837512	VIC	416888	84033	MCCOR	471141!
832880M1	MASSE	471763	834364M1	MASSE	470954!	837512	WHITE	416888	84034	MCCOR	5957S
832891M1	MASSE	7141=	83444R91	IH	450084!	837517	WHITE	5410	840344900	EATON	415371
832898	MASSE	7141=	834496M1	MASSE	9249=	837517A	WHITE	5410	84035	FITZ	455008
8329	HYST	470530!	834523M1	MASSE	416278	837548	WHITE	472164!	84035	MCCOR	5246
832931M1	MASSE	8020S	834556M1	MASSE	417349	837556	WHITE	472082	84036	FITZ	473367!
832954M1	MASSE	7790H	83458R91	IH	417316!	83758R91	IH	474278!	84036	FITZ	473367
832954M2	MASSE	7790H	834711M1	MASSE	410102	837596	WHITE	415371	84037	MCCOR	6090S
832954M3	MASSE	7790H	834793M1	MASSE	415254	8376364	CHRY	417196!	8403S	NATL	473228
83298M1	MASSE	7141=	834800M1	MASSE	471341!	837705	WHITE	416130!	84044	FITZ	450084!
83300041	AMC	471652	834825M1	MASSE	416795N=	837739	WHITE	410694!	840500	WHITE	8635S
83300041	AMC	482208!	834831M1	MASSE	412119!	837952	GWI	471466!	84052	MCCOR	471862
833023M1	MASSE	200888=	83483403	WARNE	370023A	8380	C-R	21X40X8!	84055	FITZ	5246
833067M	MASSE	473228	834844M1	MASSE	471271!	8380	C-R	3388	84060	FITZ	471354!
833105M1	MASSE	473228	8348591	GMC	472157!	8381138	GMC	415437	84062	FITZ	473446
833136M1	MASSE	415458!	8348591	GMC	472157	8381139	GMC	J1124	840630900	EATON	416294!
833190M1	MASSE	472164!	834952M1	MASSE	416865!	8381A	C-R	472572!	84064	MCCOR	470354
833191M1	MASSE	471652	8350	C-R	21X38X8	83823	EATON	370038A	84067	MCCOR	410308!
833191M1	MASSE	482208!	83500723	AMC	5210	8382454	GMC	455480!	840689800	EATON	416865
833230M1	MASSE	471554!	83500785	AMC	5210	838355	WHITE	370065A	840691	GWI	415991
833236	MASSE	417357=	83501389	AMC	4370N	838355	WHITE	376590A	840691	GWI	455146!
833236M1	MASSE	417357=	83501814	CHRY	221925	838628	C-R	455584	840692	GWI	480491
833237M1	MASSE	416921!	83501872	AMC	474278	838628M1	C-R	455584	84070	MCCOR	414045!
833239M1	MASSE	410737!	83502508	AMC	472572	8386386	CONTI	471692!	84072	MCCOR	5M403
833243	MASSE	416288!	83502798	AMC	472572	838860	GWI	472409!	84073	MCCOR	5M81
833243M1	MASSE	416288!	83503010	CHRY	473212!	838861	GWI	470898	84074	FITZ	473448
833245M1	MASSE	415146!	83503063	AMC	9912	839064	WHITE	471466!	84074	MCCOR	472439
833245M1	MASSE	415991	83503063	CHRY	9912	839103	GWI	472157!	84075	MCCOR	470530!
8332959	GMC	471554!	83503108	CHRY	1209	839103	GWI	472157	8407505	EATON	370064A
833302M1	MASSE	417433!	83503147	AMC	710046	839129	GMC	5419	840750500	EATON	370064A
833303M1	MASSE	471195!	83503390	AMC	5778	839495	WHITE	6872S	840754800	EATON	370077A=
833342M1	MASSE	8521S	83503504	AMC	710202	839496	WHITE	JV701	840776000	EATON	370094A
833355M1	MASSE	200763	83504946	CHRY	714675	8395460	CONTI	471192	84078	FITZ	450065
833358M1	MASSE	481371H=	83505053	CHRY	224462	839594	WHITE	6872S	840787	GWI	418028
833380M1	MASSE	471643!	83505290	AMC	472572	839784	WHITE	471570!	840787	GWI	455137!
833381M1	MASSE	471255!	83506295	AMC	7412S	839809	GWI	415234!	84080	MCCOR	50081
8333962	GMC	473367!	835062M1	MASSE	412943	839810	GWI	415379	84085	MCCOR	474281!
8333962	GMC	473367	8351582	GMC	476098N=	839810	GWI	415379!	840865	GWI	472924!
833415M1	MASSE	6590S	835171M1	MASSE	471391!	839811	GWI	455079!	84097	MCCOR	470086
833482M1	MASSE	41461S	835274	WHITE	417546!	839984	WHITE	370001A	84098	MCCOR	450111
8335	SUPER	411253!	83533063	CHRY	9912	83BG3K169B5A	FORD	224252	840RC	SUL	415937!
833675M1	MASSE	416664!	8355A	C-R	473473	83BG3K169B5A	FORD	42X62X8!	84102	FITZ	471750!
833686M1	MASSE	416125!	835614	WHITE	416345!	83BG4676A1C	FORD	712011	84103	FITZ	411253!
833687M1	MASSE	473473	835614	WHITE	455033	83BM6700A4A	FORD	3394	84104	FITZ	474281!
833691M1	MASSE	456967N=	835615	WHITE	415066	83BM6701A4A	FORD	473573	84105	FITZ	470059
833718M1	MASSE	473454	8356365	GMC	415991	83HM-6701-A6A	FORD	415449	84105	FITZ	470380!
833776M1	MASSE	416271!	8356365	GMC	415991!	83HM6700A1A	FORD	2012V	841058100	EATON	470565!
833776M2	MASSE	416271!	835964	WHITE	411253!	83SM6701A6A	FORD	3772	841058300	EATON	470565!
833777M1	MASSE	470954!	835965	WHITE	415023	840009	SPICE	471795	84112	MCCOR	413469!
833796M1	MASSE	9249=	835967	WHITE	415458!	84001	MCCOR	481864	841125	WHITE	415138!
833800M1	MASSE	472164!	835968	WHITE	416921!	84002	MCCOR	6356	84114	FITZ	473464
833801M1	MASSE	410524	835969	WHITE	415379	840021100	EATON	470898!	84114	FITZ	473464!
833849M1	MASSE	472164!	835969	WHITE	415379!	840021200	EATON	410308!	84115	MCCOR	5M293
833906	GWI	473238	836615	WHITE	415066	840021200	EATON	473468	84118	MCCOR	474265

! Industrial Size/Type * Minor Width Difference

= The U.S. customer service number is 877-4-TIMKEN. The Canadian customer service numbers are 800-565-4927 (English) and 800-565-0438 (French-Canadian).

NUMERICAL INTERCHANGE

Mfr. No.	Name	Zero Duplication or Recommended Industrial	Mfr. No.	Name	Zero Duplication or Recommended Industrial	Mfr. No.	Name	Zero Duplication or Recommended Industrial	Mfr. No.	Name	Zero Duplication or Recommended Industrial
84385	MCCOR	412920!	844464	HESST	416071	844RC	SUL	473238!	84549	MCCOR	6626S
84388	FITZ	470898!	84447	FITZ	471192	84500	FITZ	415995!	84549K	FITZ	5403
84388	MCCOR	470605!	84448	MCCOR	200600	84500	MCCOR	200640	84550	FITZ	471316
84389	FITZ	473462	84449	MCCOR	80313	84501	MCCOR	473239	84551	FITZ	472439
84389	MCCOR	413247!	84452	FITZ	471554!	84501S	FITZ	6241S	84552	MCCOR	6781
843893M1	MASSE	472015!	84452	MCCOR	473440!	84502	FITZ	40566S	84553	FITZ	472157!
8438LPD	JN-MN	417500	84453	FITZ	471192	84503	FITZ	2081	84553	FITZ	472157
84390	FITZ	410987!	84454	MCCOR	410737!	84503	MCCOR	450472!	84553	MCCOR	470565!
84390	MCCOR	473448	84456	FITZ	473435	8450413	GMC	470682	84554	FITZ	473235!
843908	WHITE	240735	84456	MCCOR	472439	845045	WHITE	415302	84554	MCCOR	350942
84391	MCCOR	450446	84457	FITZ	415001!	84506	MCCOR	473474	84555	MCCOR	470530!
84392	MCCOR	450463	84458	MCCOR	472015!	84507	MCCOR	210914	84556	FITZ	410059
84394	FITZ	473238	84459	MCCOR	473241	84508	FITZ	471835!	84556	FITZ	470380!
84395	FITZ	5877	84461	MCCOR	6547	84508	MCCOR	472924	84556	MCCOR	415449!
84395	MCCOR	473462	84463	FITZ	471787	84509	FITZ	473235	84556S	FITZ	410059
84396	FITZ	410190	84463	MCCOR	40094S	84509	MCCOR	210945	84556S	FITZ	470380!
84396	MCCOR	473235	84464	MCCOR	40097S	84510	MCCOR	472924!	84557	MCCOR	415449!
84397	FITZ	200354	84465	MCCOR	472015!	84511	FITZ	417316!	84558	MCCOR	473215!
84398	FITZ	472258	84468	FITZ	471689!	84511	MCCOR	410987!	84562	MCCOR	451078!
84399	MCCOR	6336S	84468	MCCOR	470898	84512	FITZ	6465	84563	FITZ	6489
8440	C-R	473414	84469	FITZ	472354!	84512	MCCOR	473234!	84563	MCCOR	41081S=
844001176	IH	416404!	84469	MCCOR	6532S=	84513	FITZ	470354	84565	FITZ	24015=
844001177	IH	417351!	8446A	C-R	80313	84514	FITZ	6358	84565	MCCOR	7600S
844001180	IH	472924!	84470	FITZ	450400	84515	MCCOR	40627S=	84567	FITZ	50199S!
844001181	IH	415871	84470	MCCOR	473238!	84516	FITZ	473228	84567	FITZ	6863S!
844001183	IH	417546!	84471	MCCOR	471391!	845161	WHITE	417158!	84567	MCCOR	6818
84402	FITZ	6936S	84472	MCCOR	471870!	84517	MCCOR	5MR1008	84569	MCCOR	470898!
84402S	FITZ	6936S	84473	FITZ	416654	84519	FITZ	40769S	8457	C-R	473414*
84403	FITZ	415041	84473	MCCOR	472492!	84519	MCCOR	470530!	8457	FULLE	418028!
84404	FITZ	340724!	84474	FITZ	472016	84523	FITZ	6966S	84572	MCCOR	410708
84404	MCCOR	473179	84474	MCCOR	472287!	84523	MCCOR	473442!	84573	FITZ	471766!
84406	MCCOR	410987=	84475	FITZ	415001!	84524	FITZ	410825	84573	MCCOR	450269
84408	FITZ	471827	84475	MCCOR	472409	84526	MCCOR	413479	84574	FITZ	456618
84408	MCCOR	450068	84475S	MCCOR	472409	84527	FITZ	40576S	84574	MCCOR	415449!
84408S	FITZ	471827	84476	FITZ	450467	84527	MCCOR	412119!	84575	FITZ	415371
84409	FITZ	470898	84476	MCCOR	471763	845274	WHITE	471570!	84576	FITZ	416865!
84409	MCCOR	472070	84477	FITZ	472636!	845275	WHITE	417181!	84576	MCCOR	6922=
8441	C-R	473414	84477	MCCOR	471689!	845276	WHITE	472179	84577	MCCOR	6808N
84410	MCCOR	450285	84478	FITZ	415449!	84528	FITZ	473229	84578	FITZ	410737!
84411	FITZ	470625!	84478	MCCOR	471271!	84529	FITZ	6270	84578	MCCOR	473234!
84412	MCCOR	450311	84479	FITZ	415960	8452A	C-R	471649!	8458	C-R	473414*
84414	MCCOR	472492!	84481	MCCOR	473459	84530	FITZ	5401	84580	FITZ	471862
84415	FITZ	415072	84481H	MCCOR	473459	84530	MCCOR	450911N!	84581	MCCOR	473467!
84415	MCCOR	473197	84483	FITZ	470530!	84530K	FITZ	5401	84582	MCCOR	416271!
844159	HESST	471391!	84483	MCCOR	415449!	84532	MCCOR	6636S	84583	FITZ	412473!
84416	MCCOR	50528	84484	FITZ	472394	84533	FITZ	493291	84583	MCCOR	472354!
84417	MCCOR	50631	84484	MCCOR	411376!	84533	MCCOR	410708	84584	FITZ	410737!
84419	FITZ	470950!	84485	FITZ	474276!	84534	FITZ	450335	84584	MCCOR	6590S
84419	FITZ	6241S	84485	MCCOR	470565!	84534	MCCOR	473179	84585	FITZ	417344!
84420	MCCOR	450776!	84486	FITZ	473227!	84535	FITZ	455151	84586	FITZ	330385!
84421	MCCOR	416271!	84486	MCCOR	416271!	84536	FITZ	42763	84587	MCCOR	412040
84422	FITZ	471255!	84487	FITZ	411330!	84536	MCCOR	473016!	84589	FITZ	473474
84422	MCCOR	416664!	84487	MCCOR	450803	84537	MCCOR	472150	84590	FITZ	471504!
84423	FITZ	411253!	84488	FITZ	416654!	84538	FITZ	450776!	84590S	FITZ	471504!
8442SS	JN-MN	471649!	84488	MCCOR	450655=	84538	MCCOR	450984	84591	FITZ	6547
84431	FITZ	5070	84489	FITZ	415483!	84539	FITZ	450776!	84592	MCCOR	450104
84431	MCCOR	471271!	84490	MCCOR	450765!	84539	MCCOR	416271!	84593	MCCOR	450133
84432	FITZ	470606!	84491	FITZ	410308!	84540	FITZ	6489	84594	MCCOR	474274
84434	MCCOR	471272!	84492	FITZ	450307	84541	FITZ	6465	84595	FITZ	474264
84435	MCCOR	413246	84492	MCCOR	470712!	84541	MCCOR	472164!	84595	MCCOR	471271!
84437	FITZ	5924	84493	FITZ	471141!	84542	FITZ	417516	84596	FITZ	6638S
84437	MCCOR	471316	84495	MCCOR	450313	84543	FITZ	472439	84599	FITZ	470954!
84438	MCCOR	470806	84497	FITZ	353141!	84544	MCCOR	470764!	846	ROCKW	370037A
84438S	MCCOR	470806	84497	MCCOR	6180=	84544	MCCOR	50764	846	ROCKW	370338A
84439	MCCOR	450808	844974	WHITE	417171!	84545	FITZ	417316!	84600	MCCOR	450412
8443LPD	JN-MN	472319	84498	MCCOR	411394!	84545	MCCOR	6785	84602	FITZ	471267!
8443LUP	JN-MN	472319	84499	FITZ	6064	84546	FITZ	415697!	84602	MCCOR	5589\$
84441	FITZ	470898!	84499	MCCOR	473461!	84546	FITZ	455547	84603	FITZ	472572!
84443	FITZ	5921	8449SS	JN-MN	470950!	84546	MCCOR	416271!	84604	MCCOR	6960
84444	MCCOR	50501	8449SS	JN-MN	6241S	84547	FITZ	3210	84605	FITZ	472560N
84445	FITZ	5957S	844F-6700-AA	FORD	712101	84547	MCCOR	410308	84605	MCCOR	40316S
84446	MCCOR	450143	844F-6C270-AA	FORD	712102	84548	MCCOR	205004	84606	FITZ	240356

! Industrial Size/Type * Minor Width Difference \$F-M Number Is Part Of A Kit
 = The U.S. customer service number is 877-4-TIMKEN. The Canadian customer service numbers are 800-565-4927 (English) and 800-565-0438 (French-Canadian).

NUMERICAL INTERCHANGE

Zero Duplication or Recommended Industrial		Zero Duplication or Recommended Industrial		Zero Duplication or Recommended Industrial		Zero Duplication or Recommended Industrial			
Mfr. No.	Name	Mfr. No.	Name	Mfr. No.	Name	Mfr. No.	Name		
84606	MCCOR	6985		84684	FITZ	415991	84727	FITZ	412920!
84607	FITZ	415284		84684	FITZ	455146!	84728	FITZ	415035!
84607S	MCCOR	41075S		84684	MCCOR	340900	84728	FITZ	415035
84607S	FITZ	415284		84646K	FITZ	5408	84685S	FITZ	5951
84608	FITZ	6635S		84647	MCCOR	410987!	84686	FITZ	240009
84609	MCCOR	414045!		84647	MCCOR	450686	84686	FITZ	7107A=
84609K	FITZ	5405		84648	FITZ	6245S=	84686	MCCOR	470605!
8460LPD	JN-MN	55199=		84648	MCCOR	413246	84687	FITZ	417223
8460LUP	JN-MN	55199=		84649	MCCOR	7381S	84688	FITZ	473426
8461	C-R	473414*		8464G	P-C	TCS45483	84688	MCCOR	416125!
84610	FITZ	340797		8464LPD	JN-MN	471570!*	84689	FITZ	416888!
84610	MCCOR	410496!		8464LUP	JN-MN	471570!	8468LUP	JN-MN	415995!
84611	FITZ	340413		8465	C-R	473414	84690	FITZ	413247!
84611	MCCOR	410496!		84650	MCCOR	473243	84690	MCCOR	5113
84612	FITZ	350936		84651	MCCOR	331107N	84690	MCCOR	7721!
84612	MCCOR	470334!		84651H	MCCOR	331107N	84691	FITZ	471646!
84613	FITZ	416130!		84651K	FITZ	5406	84691	MCCOR	415449
84613	MCCOR	473179!		84651N	MCCOR	331107N	84692	FITZ	450165
84614	FITZ	415043		84652	FITZ	6636S	84692	FITZ	471801!
84614	MCCOR	44053		84653	MCCOR	415302	84693	FITZ	471567!
84615	FITZ	417267		84654	FITZ	415138!	84694	MCCOR	350936
84615	MCCOR	455434		84654	MCCOR	6180=	84695S	FITZ	9613S
84616	FITZ	455024		84655	FITZ	415060	84696	FITZ	471821!
84616	MCCOR	6954S		84655	FITZ	455060	84698	MCCOR	5589
84617	FITZ	455151		84656	FITZ	415351!	84699	FITZ	481073
84617	MCCOR	44052		84656	MCCOR	45827S	84699	MCCOR	473473
84618	FITZ	455037		84657	FITZ	450666	846D6	WHITE	415697!
84618	MCCOR	410737!		84658	FITZ	455251H	846D6	WHITE	455547
84618S	FITZ	455037		84658	MCCOR	473452	847	EATON	370001A
84619	FITZ	370036A		84659	FITZ	50560	847	EATON	380001A
84619	MCCOR	470487!		8465LPD	JN-MN	470590	84700	FITZ	472179
8461LPD	JN-MN	470088		8465LUP	JN-MN	470590	84700	MCCOR	470898
8461LUP	JN-MN	470088		84660	FITZ	474272!	84701	MCCOR	471271!
84620	FITZ	473232!		84663	FITZ	473473	84702	FITZ	6370N
84621	FITZ	470625!		84664S	FITZ	470898	84702	MCCOR	7751H
84621	MCCOR	473228		84665	FITZ	471267!	84703	MCCOR	472016
84622	FITZ	471750!		84665S	FITZ	471267!	84704	MCCOR	8243
84622	MCCOR	3103!		84666	FITZ	480630!	84705	MCCOR	8610
84623	FITZ	471619!		84667	FITZ	416921!	84706	FITZ	40973S
84623	MCCOR	7107A=		84668	FITZ	410987!	84706	MCCOR	331227H
84624	FITZ	471553!		84668	MCCOR	7457N	84707	MCCOR	8168=
84624	MCCOR	5126		84669	MCCOR	442380	84708	FITZ	6643S
84625	MCCOR	7216		84670	FITZ	417316!	84708	MCCOR	472070
846256	WHITE	471870!		84670	MCCOR	471341!	84709	MCCOR	9015S
846275	WHITE	100495		84671	FITZ	416288!	8470LPD	JN-MN	417484!
846275	WHITE	417349		84671	MCCOR	7107A=	8470LUP	JN-MN	417484!
84628	MCCOR	203006!		84672	MCCOR	413246	84710	FITZ	6098=
8462LPD	JN-MN	472016		84672A	GW	470625!	84710	MCCOR	7044NA
8462LUP	JN-MN	472016		84672S	FITZ	350942	84711	CATER	471554!
84630	MCCOR	7044NA		84673	FITZ	415058	84713	MCCOR	6960
84631	MCCOR	451143		84673	MCCOR	3095	84714	FITZ	412871!
84632	FITZ	471442!		84674	FITZ	417351!	84714	MCCOR	472082
84632	MCCOR	7018N=		84674	MCCOR	5113	84715	FITZ	417355!
84633	FITZ	471466!		84674	MCCOR	7721!	84715	FITZ	485497
84633	MCCOR	472397!		84675	FITZ	417621!	84715	MCCOR	332062
84634	FITZ	410694!		84675	MCCOR	5573	84715S	FITZ	417355!
84635	FITZ	473228		84676	MCCOR	473235	84715S	FITZ	485497
84635	MCCOR	473466		84676S	WHITE	JV701	84716	MCCOR	8804S=
84636	FITZ	472409!		84676S	FITZ	471344	84716S	FITZ	472164
84636	MCCOR	471138!		84677	FITZ	471571	84717	FITZ	474255
84638	FITZ	473214		84677	MCCOR	9150S	84717	MCCOR	472409
84639	MCCOR	50266		84678	FITZ	415991	84718	FITZ	470712!
8463LPD	JN-MN	471554!		84678	FITZ	455146!	84718	MCCOR	8610
8463LUP	JN-MN	471554!		84678	MCCOR	205044	84719	FITZ	473227
84640	FITZ	472179		84679	FITZ	416271!	84719	MCCOR	8594S
84641	FITZ	472185!		84680	FITZ	411376!	8471A	C-R	417316!
84641	MCCOR	473464		84680	MCCOR	205015	84721	MCCOR	470487!
84642	FITZ	483054N		84681	FITZ	416892	84722	FITZ	472144!
84643	FITZ	473232		84681	MCCOR	450639	84722	MCCOR	473179
84643	MCCOR	415449!		84682	FITZ	416070	84723	MCCOR	472082
84644	FITZ	471765!		84683	FITZ	416664!	84724	FITZ	370002A
84644	MCCOR	451469		84683	MCCOR	413248	84725	FITZ	6532S=
							84795	FITZ	415991!

! Industrial Size/Type *Minor Width Difference

=The U.S. customer service number is 877-4-TIMKEN. The Canadian customer service numbers are 800-565-4927 (English) and 800-565-0438 (French-Canadian).

Mfr. No.	Name	Zero Duplication or Recommended Industrial	Mfr. No.	Name	Zero Duplication or Recommended Industrial	Mfr. No.	Name	Zero Duplication or Recommended Industrial	Mfr. No.	Name	Zero Duplication or Recommended Industrial
84796	FITZ	471472!	8487M1	C-R	416239!	84971S	FITZ	7338N	850185M1	MASSE	472015!
84797	FITZ	471787!	84881	FITZ	473463	84972S	FITZ	415449	850189	GWJ	415351!
84798	FITZ	416229	84882K	FITZ	5458	84974S	FITZ	350936	8501LPD	JN-MN	417198*
8479C	SUL	411253!	848841	WHITE	471554!	84975	FITZ	350936	8501LUP	JN-MN	417198
848	EATON	417505	84885S	FITZ	470774!	84975S	FITZ	350936	85020	C-R	417604
84803	FITZ	450269	84886S	FITZ	6966S	84976S	FITZ	474260	85021	C-R	417604*
84804	FITZ	471526!	84887S	FITZ	6241S	84979S	FITZ	472354!	850225M1	MASSE	471785!
84805	FITZ	480630	84888S	FITZ	7600S	8497LPD	JN-MN	455655!*	850234	GWJ	415960!
84806K	FITZ	5410	848890	WHITE	476838!	8497LUP	JN-MN	455655!	850237C92	IH	473367
84807	FITZ	350364	84889S	FITZ	471827	84980	FITZ	7934S	850237C92	IH	473367!
84808S	FITZ	471103!	84890S	FITZ	470898!	84982S	FITZ	331301N	850238C92	IH	473445=
84809	FITZ	450273	84891	FITZ	3103!	84984	FITZ	470712	85029S	FITZ	5111
84810S	FITZ	6626S	84892	FITZ	415442!	84985	FITZ	455189	85029S	FITZ	5111S
84811	FITZ	472150	84892	FITZ	55442	84986S	FITZ	471821!	8502A	C-R	473447
84813	FITZ	471763	84893	FITZ	55199=	84987	FITZ	7607	8502LUP	JN-MN	55030*
84814	FITZ	417205!	84894	FITZ	417350!	84988	FITZ	5113	8502LUP	JN-MN	55030
84815S	FITZ	416297	84895	FITZ	6864S	84988	FITZ	7721!	85030S	FITZ	472082
84816	FITZ	472636!	84896	FITZ	6785	84989S	FITZ	203008	850315	GWJ	417205!
84817	FITZ	472164!	84897	FITZ	6930	84990S	FITZ	470898!	850316	GWJ	417247!
848178	WHITE	480630!	84898	FITZ	9568	84992	FITZ	416273!	850333M1	MASSE	200354
84819	FITZ	473228!	848984	WHITE	417563	84993S	WHITE	417262!	8503LPD	JN-MN	415263
84820S	FITZ	412473!	84899	FITZ	6985	84993S	FITZ	6241S	8503LUP	JN-MN	415263
848214	WHITE	412943	848BM7-O6	C-R	416239!	84994S	FITZ	7886S	85040S	FITZ	5111
848225	WHITE	417596	849	EATON	370023A	84995	FITZ	41257!	85040S	FITZ	5111S
84823S	FITZ	6754S=	84900S	FITZ	5589	84997	FITZ	7994S	85048S	FITZ	3945
84826S	FITZ	240470	84904	FITZ	340356	84998S	FITZ	9150S	8504LPD	JN-MN	417506
84827S	FITZ	6760S	84906S	FITZ	473234!	84999	FITZ	8139	8504LUP	JN-MN	417506
84828S	FITZ	6597S	84907S	FITZ	6952S=	84G15	OSHKO	416288!	8505	C-R	22X31X6
84829S	FITZ	240736	84909	FITZ	410987=	84GT7A248A3A	FORD	2658	85050S	FITZ	5390
84831K	FITZ	5452	84914	FITZ	473228	84GX15	OSHKO	416288!	85051S	FITZ	415483
84833	CATER	J1128	84916	FITZ	6960	850	EATON	370036A	850567	CLARK	50199S!
84834	FITZ	417485	84918	FITZ	205017	850	EATON	370349A	850567	CLARK	6863S!
84835S	FITZ	470530!	84919	FITZ	473317	85000	FITZ	29129S	85059S	FITZ	5112
84836	FITZ	6781	84921S	FITZ	7686S	8500058	CYCLO	474274=	85059S	FITZ	5112S
84837S	FITZ	415449!	84922	FITZ	470487!	8500058	GR-DV	474274=	8505LPD	JN-MN	415007*
84838S	FITZ	417134	84923	FITZ	44053	8500059	CYCLO	410825	8505LUP	JN-MN	415007
84839	FITZ	455614	84924	FITZ	6954S	8500060	CYCLO	416273	85063S	FITZ	5112
848396	WHITE	415449!	84925S	FITZ	473231!	8500061	CYCLO	470898	85063S	FITZ	5112S
8483LPD	JN-MN	417181!	84927	FITZ	3103!	8500062	CYCLO	473474	8506LPD	JN-MN	417488!
8483LUP	JN-MN	417181!	84927S	FITZ	415449	8500063	CYCLO	415483	8507	C-R	416239!
8484	C-R	473415	84928S	FITZ	471195!	8500064	CYCLO	417349	8507	CABOT	416239!
84840	FITZ	417269!	84929S	FITZ	5072	8500065	CYCLO	416332!	8507	MINMA	416239!
84841	FITZ	415060	8493052	GMC	415984!	8500066	CYCLO	411160N=	85070	C-R	417604
84841	FITZ	455060	84931	FITZ	7107A=	8500068	CYCLO	476470	85071	C-R	417604
84842	FITZ	417353!	84932	FITZ	5126	8500068	CYCLO	476470!	850716	C-R	415867
84843	FITZ	455022	84933	FITZ	7216	8500072	CYCLO	471651=	85079	AM WH	473245!
84844	FITZ	415196!	84935S	FITZ	321460	8500078	CYCLO	470954!	8507LPD	JN-MN	417488!
84846	FITZ	415711	84936S	FITZ	203006!	8500079	CYCLO	471224!	8507LUP	JN-MN	417488!
84847	FITZ	415394	84937	FITZ	5499=	85002S	FITZ	471827	8507M1	C-R	416239!
84848	FITZ	455625=	84937K	FITZ	5499=	85003S	FITZ	482253	8508	C-R	22X31X8!*
84849	FITZ	455134!	84938	FITZ	7044NA	85005	C-R	417603!	8508	C-R	22X32X7V!
8485	C-R	473415	84939	AM WH	470059	850050	CLARK	471567!	85080	C-R	417604*
84850	FITZ	417537	84939	AM WH	470380!	85006	C-R	417603!	85081044	WARNE	473245!
84851	FITZ	415350	84939S	FITZ	5092	850078	CYCLO	470954!	850812	CLARK	473467!
84852	FITZ	417344!	8493LPD	JN-MN	471138!	85009	C-R	417603!	85085	C-R	416394
84853	FITZ	415064	84940S	FITZ	413246	850105	CLARK	412473!	8508LPD	JN-MN	455820
84856	FITZ	473234!	84941S	FITZ	3095	850109M1	MASSE	470712!	8508LUP	JN-MN	455820
8485LPD	JN-MN	471649!	84942	FITZ	410708	85011S	FITZ	5337	85090	C-R	416394
8485LUP	JN-MN	471649!	84945S	FITZ	473237	85012	C-R	417603=	8509LPD	JN-MN	417172*
84860	FITZ	6818	84947S	FITZ	7456N	8501238	CYCLO	471413!	8509LUP	JN-MN	417172
84862	FITZ	6815	8494LPD	JN-MN	471138!	8501239	CYCLO	471571	851	EATON	370065A
848629	WHITE	417621!	8494LUP	JN-MN	471138!	8501240	CYCLO	473231!	8510	C-R	222210
84863	FITZ	471795	84950	FITZ	451182	8501240	GR-DV	473231=	8510	C-R	22X32X7!
84864	FITZ	6840S	849502	WHITE	417171!	8501241	CYCLO	472397!	8510	JAC	470954!
84865	FITZ	6985	849505	WHITE	5471	85012S	FITZ	5092	8510LUP	JN-MN	473453
84869S	FITZ	6855N=	84958	FITZ	410708	85013S	FITZ	472082	8511513C	HARWA	85X115X13
84871	FITZ	415960!	8495LPD	JN-MN	415254	85014	C-R	417604	8513	C-R	22X35X7*
84873S	FITZ	473179	8495LUP	JN-MN	415254	85015	C-R	417604	851350M1	MASSE	40401
84875	FITZ	41081S=	8496	C-R	482069N	85015S	FITZ	332062	85137	NATL	7208S
84877S	FITZ	416271!	84968	FITZ	205044	85016S	FITZ	8804S=	8515	C-R	22X35X7
84878S	FITZ	451078!	8496LPD	JN-MN	410496!	85017S	CLARK	450446	851522	WHITE	472560N!
84879	FITZ	410308	8496LUP	JN-MN	410496!	85017S	FITZ	9613S	8516	C-R	222220

! Industrial Size/Type * Minor Width Difference

= The U.S. customer service number is 877-4-TIMKEN. The Canadian customer service numbers are 800-565-4927 (English) and 800-565-0438 (French-Canadian).

NUMERICAL INTERCHANGE

Mfr. No.	Name	Zero Duplication or Recommended Industrial	Mfr. No.	Name	Zero Duplication or Recommended Industrial	Mfr. No.	Name	Zero Duplication or Recommended Industrial	Mfr. No.	Name	Zero Duplication or Recommended Industrial
8516	C-R	22X35X7!	8548983	RENAU	3771	855023023	BU-SP	473467!	855026006	BU-SP	416107!
8516	C-R	22X35X7V!	854945	WHITE	415960	855023024	BU-SP	415449!	855026006	BU-SP	455073
851634	WHITE	416654	854D1	DIA	450073	855023025	BU-SP	417486	855026007	BU-SP	416107!
85165	GWI	473462	854D1	WHITE	450073	855023026	BU-SP	472924!	855026010	BU-SP	416107!
8517	C-R	22X35X7	855	EATON	370124A	855023027	BU-SP	412119!	855026011	BU-SP	417556
85174	MCCOR	470354	8550	C-R	222240	855023028	BU-SP	473473	855026012	BU-SP	416666
851771	WHITE	471231!	8550	C-R	22X40X7!	855023029	BU-SP	55469	855027000	BU-SP	417298
8517A	C-R	415960!	855021003	BU-SP	471267!	855023030	BU-SP	471271!	855027001	BU-SP	55692=
85181S	FITZ	472341!	855022000	BU-SP	471192	855023031	BU-SP	470530!	855027002	BU-SP	417562
85182S	FITZ	3698	855022001	BU-SP	470625!	855023033	BU-SP	415302	855027003	BU-SP	415072
85182S	FITZ	5092	8550220010	BU-SP	472394	855023034	BU-SP	473471	855027004	BU-SP	417596
8519	C-R	222210	8550220011	BU-SP	471224!	855023035	BU-SP	417484!	855028000	BU-SP	415867
85191A	C-R	471413	8550220012	BU-SP	472144!	855023036	BU-SP	415001!	855028001	BU-SP	415867
85195S	FITZ	5576	855022002	BU-SP	473228	855023037	BU-SP	417344!	855028002	BU-SP	415116
85196S	FITZ	5414	855022004	BU-SP	472439	855023038	BU-SP	411348!	855028003	BU-SP	415867
85197S	FITZ	5115	855022005	BU-SP	473197	855023039	BU-SP	415483!	855028004	BU-SP	455406!
85199S	FITZ	473573	855022007	BU-SP	471766!	855023040	BU-SP	416271!	855028005	BU-SP	415551
8519H	SPG	473179	855022008	BU-SP	471192	855023041	BU-SP	472492!	855028006	BU-SP	415551
852	EATON	415058	855022009	BU-SP	472185!	855023042	BU-SP	472397!	855028007	BU-SP	415867
8520	C-R	22X36X7	855022010	BU-SP	472394	855023043	BU-SP	417480!	855028008	BU-SP	415867
85200S	FITZ	3394	855022011	BU-SP	471224!	855023044	BU-SP	40401	855028009	BU-SP	416239!
85201S	FITZ	473560N	855022012	BU-SP	472144!	855023045	BU-SP	473467!	855028010	BU-SP	416239!
85202S	FITZ	3103!	855022013	BU-SP	471652	855023046	BU-SP	472409!	855029001	BU-SP	415128
85203S	FITZ	2955	855022013	BU-SP	482208!	855024000	BU-SP	55309=	855029003	BU-SP	55222=
85204S	FITZ	3095	855022014	BU-SP	471766!	855024001	BU-SP	415991	855029005	BU-SP	415482
852052	WHITE	471224!	855022015	BU-SP	470625!	855024002	BU-SP	415991	855029006	BU-SP	55222=
85205S	FITZ	5108	855022016	BU-SP	471224!	855024002	BU-SP	455146!	855029007	BU-SP	415482
85208A	WHITE	450073	855022017	BU-SP	471192	855024003	BU-SP	415991	855029011	BU-SP	455462
852172	GWI	472157!	855022018	BU-SP	472394	855024004	BU-SP	415995!	855029013	BU-SP	415482
852172	GWI	472157	855022019	BU-SP	7216	855024005	BU-SP	415379	855029014	BU-SP	55301S
8522	C-R	222220	855022020	BU-SP	5711	855024006	BU-SP	415379	855048	WHITE	473467!
85221	AM WH	471646!	855022021	BU-SP	473238	855024006	BU-SP	415379!	855049	WHITE	471192
852482	WHITE	50199S!	855022022	BU-SP	472164!	855024008	BU-SP	415379	855054	WHITE	411245!
852482	WHITE	6863S!	855022023	BU-SP	473228	855024009	BU-SP	415995!	8551	C-R	22X40X7
8527160	FAIRB	471571	855022024	BU-SP	472439	855024010	BU-SP	476470	8552	C-R	22X40X7V
852722	WHITE	417254	855022025	BU-SP	471141!	855024011	BU-SP	412473!	855488	CLARK	450269
852723	WHITE	JV701	855022026	BU-SP	472144!	855024013	BU-SP	415937!	8555	C-R	22X42X10
85274	HOUGH	412119!	855022027	BU-SP	451817	855024014	BU-SP	417351!	8556	C-R	22X42X10
853	EATON	370037A	855022028	BU-SP	470625!	855024015	BU-SP	456105	855657	CLARK	471570!
853	EATON	370338A	855022029	BU-SP	470625!	855024016	BU-SP	418028	85571	WAUKE	473205
8530	C-R	22X37X7	855022030	BU-SP	473228	855024016	BU-SP	455137!	8558	C-R	222240
85305	WITTE	472012	855022031	BU-SP	473445	855024017	BU-SP	417349	8558	C-R	22X40X7V!
853090	WHITE	471442!	855022032	BU-SP	470682	855024018	BU-SP	416624!	856	EATON	416892
853170	FIAT	224040	855022033	BU-SP	471750!	855024019	BU-SP	7208S	8560	C-R	22X45X7
853170	FIAT	40X60X10!	855022034	BU-SP	473452	855024021	BU-SP	455178=	8561	C-R	222267
8532S	SPG	370048A	855022035	BU-SP	471141!	855024022	BU-SP	417598	8562	C-R	22X42X10
853391	CLARK	474278!	855022036	BU-SP	472185!	855024023	BU-SP	415995!	856227	CHRYSL	471316
85358A	HYST	5593=	855022038	BU-SP	471984	855024024	BU-SP	415559	8563	C-R	22X45X7
853716	CLARK	450173	855022039	BU-SP	5778	855024025	BU-SP	415379!	85641	WAUKE	330385!
85375	EATON	924057	855022040	BU-SP	471192	855024025	BU-SP	415379	856798	GWI	416892!
853D6	DIA	455858	855022041	BU-SP	470625!	855024026	BU-SP	417191	8568	C-R	22X47X7
853D6	WHITE	455858	855023000	BU-SP	472636!	855024026	BU-SP	455165!	856811	WHITE	416404!
854	EATON	370019A	855023001	BU-SP	411394!	855024027	BU-SP	417621!	856821	WHITE	471224!
8540	C-R	22X38X7!	855023002	BU-SP	417316!	855024029	BU-SP	476470	857	EATON	370131A
8540	C-R	22X38X8	855023003	BU-SP	473466	855024030	BU-SP	417210!	8570	C-R	222270
85404	NATL	200642	855023004	BU-SP	415007	855024031	BU-SP	416125!	8570	C-R	22X47X7!
854090	WHITE	415437	855023005	BU-SP	470898	855025000	BU-SP	415138!	857031	CLARK	480630!
854091	WHITE	416339	855023007	BU-SP	455005	855025001	BU-SP	416888!	857112	CLARK	416158
854091	WHITE	455031!	855023008	BU-SP	471341!	855025003	BU-SP	415196!	8573	C-R	22X47X7
8541	C-R	22X38X7V	855023009	BU-SP	470530!	855025006	BU-SP	415064	857317	CLARK	471765!
854276	WHITE	472179	855023011	BU-SP	417485	855025007	BU-SP	472157	85778	CUMMI	472164!
8542A	C-R	471649!	855023012	BU-SP	473464	855025007	BU-SP	472157!	85778	OLIVE	472185!
8545	C-R	222238	855023013	BU-SP	415007	855025008	BU-SP	416892!	857824	WHITE	370006A
8545	C-R	22X38X8!	855023014	BU-SP	473466	855025009	BU-SP	455197N	85785	CUMMI	472409!
85452	GRAM	471827	855023015	BU-SP	417316!	855026000	BU-SP	417254	85785	OLIVE	472409!
854580	GWI	472157	855023016	BU-SP	472636!	855026001	BU-SP	415725!	8579	FULLE	472319
854580	GWI	472157!	855023017	BU-SP	415303!	855026002	BU-SP	415645!	858	EATON	370021A
854581	GWI	416657	855023018	BU-SP	412861	855026002	BU-SP	455104	8580	C-R	22X50X8
854761	CLARK	470354	855023019	BU-SP	472636!	855026003	BU-SP	416865!	85805	GRAM	473467
8548895	RENAU	35X50X8!	855023021	BU-SP	415449!	855026004	BU-SP	415645!	8581A	C-R	472636!
8548895	RENAU	3771	855023022	BU-SP	411394!	855026004	BU-SP	455104	858286	CLARK	471442!
8548983	RENAU	35X50X8!	855023022	KOEH	411394!	855026005	BU-SP	415938	8583	FULLE	473231!

! Industrial Size/Type

= The U.S. customer service number is 877-4-TIMKEN. The Canadian customer service numbers are 800-565-4927 (English) and 800-565-0438 (French-Canadian).

Mfr. No.	Name	Zero Duplication or Recommended Industrial	Mfr. No.	Name	Zero Duplication or Recommended Industrial	Mfr. No.	Name	Zero Duplication or Recommended Industrial	Mfr. No.	Name	Zero Duplication or Recommended Industrial
858345	WHITE	370023A	86003	FITZ	415437!	8625892	GMC	473234	86504R91	IH	455008
858358	WHITE	370036A	86004	FITZ	416125!	8625893	GMC	5208	865070R91	IH	411348!
858358	WHITE	370349A	86006	FITZ	415137!	8625893	GMC	9449\$	8651 C-R		471267!
858366	WHITE	HU019A	86006	FITZ	418028	86260	C-R	417567*	8652 C-R		471267!
858367	WHITE	730009	86009	FITZ	6077	8626009	GMC	5208	8653 C-R		471267!
858368	WHITE	AR10+370020A	8601-4686	MERCE	717005	8626009	GMC	9449\$	8654 C-R		471267!
858370	WHITE	HU019A	86010	FITZ	45637S	8626901	GMC	5208	8654491	GMC	3227
858371	WHITE	730009	86011	FITZ	415025	8626912	AMC	473179	8655031	GMC	9449
858372	WHITE	AR10+370020A	86012	EATON	927112	8626916	GMC	473179	8655032	GMC	2457
858375	WHITE	370023A	86013	EATON	927113	8627 C-R		254287!	8655122	GMC	473179
858379	WHITE	HU013A	8601478	GMC	412871!	8627 C-R		7840S	8657 C-R		471267!
858380	WHITE	733067	860264R91	IH	40566S	8627145	GMC	2457	8657163	GMC	8792S
858381	WHITE	HU024A	860313R91	IH	40566S	8628054	GMC	3227	8658 C-R		471267!
858382	WHITE	730004	8603362	GMC	471442!	8629 C-R		7014S	8659 C-R		471267!
858383	WHITE	370001A	860419	WHITE	415995!	8629 STN-S		471766!	8660 C-R		471267!
858386	WHITE	730016	8604M	BRAD	472164!	8629A C-R		417159	8661 C-R		471267!
858387	WHITE	HU042A	86055	C-R	J1112	8630 STN-S		473228	86614 C-R		220X250X15V
858388	WHITE	730016	860594	WHITE	416956	8630921	GMC	3227	86615 C-R		220X250X15
858389	WHITE	HU036A	860594A3	DIA	416956	8631156	GMC	3543	8661602	GMC	4598
858390	WHITE	730003	8606M	BRAD	471466!	8631158	GMC	3583	8662 C-R		471267!*
8583AB	CASE	415458!	86081	C-R	JV1210=	863154	CLARK	473467!	8662A C-R		473367
858402	WHITE	730010	861	EATON	370003A	8631590	GMC	240385	8663 C-R		471267!*
85854	WAUKE	352541	86105	PUL	HU013A	8631950	GMC	3583	8664 C-R		471267!
8587	CHERY	416107!	86106	PUL	HU009A	8631950	GMC	4072N	8664812	GMC	4072N
8587	CHERY	455073	8610R	SPG	718610	8632 C-R		7014S	8665 C-R		471267
858701	CLARK	450188	8610RAR	SPG	718610	8633 C-R		254287	8665542	GMC	8611N
85884	WHELA	415645!	8612	C-R	340850	863490	WHITE	455480!	86657J	DIA	417344!
85884	WHELA	455104	8612229	GMC	9613S	8636A C-R		470050	8666007	GMC	3543
858848	WHITE	5494	8612234	GMC	450285	8637 C-R		340413	8667 C-R		471267!
858849	WHITE	370007A	8613	HYST	471255!	86374 C-R		416077	86684M	DIA	416654!
858849	WHITE	7866S	8614102	GMC	473234	86374	GR-DV	416077	86689M	IH	470712!
858872	WHITE	471413	861484	CLARK	415196!	86374M1	C-R	416077	86690	IH	472185!
859	EATON	386025A	8615094	GMC	473234	8637569	GMC	340849	866964	BENDI	200642
859	EATON	416158	861513650	SOLAR	471647	863767	WHITE	730010	867	HOLT	6701=
859056	WHITE	415960	861546	WHITE	370023A	8637906	GMC	4072N	8670 C-R		471267!
859059	WHITE	455032!	861546	WHITE	6864S	8638	HYST	471567!	86702	HOUGH	417269!
859060	WHITE	416892!	8615885	GMC	417158!	8639	HYST	471570!	8670218	HOUGH	417269!
859063	WHITE	417172	8616280	GM	411	863916	WHITE	474276	8670218	IH	417269!
859064	WHITE	415437	8616588	GMC	473234!	864	CEW	224220	8670283	GMC	473179
859064	WHITE	415437!	8617869	GMC	473234	864	CEW	42X56X7!	8671 C-R		471267!*
859164	CHRYSL	6241S	8618478	GMC	7018N=	864	CEW	494117	867167	CLARK	471442!
85927R91	IH	340413	8618479	GMC	7018N=	8640345	GMC	473179	8672 C-R		471267!*
85928R91	IH	240414	8618697	GMC	450725N=	8641 C-R		340413	867205	CLARK	416271!
859393	GW	472164!	8618702	GMC	473234	8641300	GMC	473179	867279	WHITE	470954!
85964	EATON	904087	8618702	WILYS	473234	8641826	GMC	473179	867285	WHITE	471570!
85965	EATON	904072	8619560	GMC	7442H	8641878	GMC	473179	8673 C-R		471267!
859984	WHITE	370001A	8619867	GMC	342805	8641904	GMC	473179	867335	WHITE	417433
859985	WHITE	370001A	8620 C-R		240733	8641952	GMC	473179	8673526	GMC	4583
859995	WHITE	730001	862051	WHITE	40094S	864317	WHITE	410825	867367	WHITE	416364!
859997	WHITE	730027	862052	WHITE	40097S	864319	GW	472144!	867385	WHITE	415458!
859998	WHITE	730008	86208C	DIA	6635S	864321	GW	415007	867385A	DIA	415458!
859999	WHITE	730017	8621	HYST	472397!	864324	GW	416865!	8674 C-R		471267!
859D6	WHITE	456618	86213	AT SU	292594	8643792	GMC	4072N	8675730	GMC	9449
85X105X10SC	TRSCM	85X105X10!	8621767	GMC	342805	8643931	GMC	5690	8675731	GMC	2457
85X105X10TC	TRSCM	85X105X10!	8622268	GMC	7442H	8643935	GMC	3459	8676 C-R		471267!
85X105X13SC	TRSCM	85X105X13	862283	WHITE	470565!	8644 C-R		353132	867633	CLARK	55358=
85X105X13TC	TRSCM	85X105X13	8623056	GMC	8792S	864403	WHITE	476574N	8677 C-R		440131!
85X110X10	ISP	85X110X10	8623743	GMC	9449	8644637	GMC	4150N	867703	WHITE	415988
85X110X12SC	TRSCM	85X110X12	8623789	GMC	473179	8644637	GMC	710096	8677463	GMC	4333N
85X110X12TC	TRSCM	85X110X12	8623789	WILYS	473179	8644709	GMC	8792S	8677554	GMC	4674N
85X115X13	SIMRT	85X115X13	8624 C-R		254287!	8645 C-R		340413	8677749	GMC	224840
85X115X13AN	ISP	85X115X13	8624117	AMC	411500	8645003	GMC	340847	8678 C-R		471267!
85X120X12SC	TRSCM	85X120X12	8624117	GMC	411500	864530R91	IH	471442!	86783	WHITE	471689!
85X120X12TC	TRSCM	85X120X12	8624117	WILYS	411500	8646 C-R		471267!	867887R91	IH	471466!
85X130X13SC	TRSCM	85X130X13	8625 C-R		5976S	864643-C92	IH	370023A	867888R91	IH	473229
85X130X13TC	TRSCM	85X130X13	8625	CHERY	417967!	864743-C92	IH	370023A	8679 C-R		471267!
86-374A	BUC-E	416077	862500	WHITE	HU009A	864784-C91	IH	370023A	8679679	GMC	714679
860	EATON	370005A	862501	WHITE	733067	8648 C-R		471267	8679744	GMC	710096
86000	FITZ	415437	8625571	GMC	473179	8648394	GMC	3227	8680 C-R		471267!
86001	FITZ	7208S	862570	WHITE	415458!	8649 C-R		353132	8680	CHERY	471192
860022	WHITE	474278!	862571	WHITE	473447	86496	GRAM	472409!	8680134	KOEH	472179
86003	FITZ	415437	8625757	GMC	9449	8650 C-R		471267!	8680152	KOEH	471808!

! Industrial Size/Type * Minor Width Difference \$ F-M Number Is Part Of A Kit
 = The U.S. customer service number is 877-4-TIMKEN. The Canadian customer service numbers are 800-565-4927 (English) and 800-565-0438 (French-Canadian).

NUMERICAL INTERCHANGE

Mfr. No.	Name	Zero Duplication or Recommended Industrial	Mfr. No.	Name	Zero Duplication or Recommended Industrial	Mfr. No.	Name	Zero Duplication or Recommended Industrial	Mfr. No.	Name	Zero Duplication or Recommended Industrial
8680153	KOEH	471763	8714	C-R	472810!	87550	C-R	415128	88049S	MCCOR	417621!
8680309	KOEH	470898	871425	WHITE	416500	87551	C-R	415128*	8804LPD	JN-MN	455480!*
8680322	KOEH	471271!	871425A	WHITE	416500	875560	CLARK	470059	8804LUP	JN-MN	455480!
8680518	KOEH	417191	871425D5	DIA	416500=	875560	CLARK	470380!	88055	MCCOR	417181!
8680541	GMC	4072N	8715	C-R	471570!	8757	C-R	417564	8806	C-R	471646!
868137R91	IH	7013S	871601085	SOLAR	450398	87578	C-R	415116	880620C91	IH	417269!
868137R92	IH	7013S	871601085	SOLAR	471267!	87578M1	C-R	415116	88068	MCCOR	415988
8682	C-R	471267!	871699004	SOLAR	470380!	876	NATL	G753	88068S	MCCOR	415988
868251	WHITE	6886S	871699046	SOLAR	471407	8760A	C-R	471224!	88070	MCCOR	415254
868276	WHITE	416921!	871699047	SOLAR	471413!	876235R91	IH	416130!	88072	MCCOR	455008
868287	CLARK	473467!	871699052	SOLAR	471619!	8763	C-R	350877	88076	MCCOR	415007
8683	C-R	471267!	871699156	SOLAR	474274	8763	C-R	471633	88079	MCCOR	415960
8684	C-R	471267!	871699330	SOLAR	471643!	8764886	CONTI	474255	88083	MCCOR	455280
8685	C-R	471267!	871699348	SOLAR	471571	8764948	CONTI	7234=	88084	MCCOR	416654!
8685111	GMC	224840	8717	C-R	471570!	8764A	C-R	410496!	88085	MCCOR	455151
8685515	GMC	4072N	87181	AM WH	412119!	8765	C-R	471633!*	88088	MCCOR	415995!
8686	PUL	B300	8719	C-R	471570!	876506R91	IH	471538!	8808LPD	JN-MN	417513
8686903	CONTI	472843	871951	WHITE	200642	87656	HYST	415449!	8808LUP	JN-MN	417513
868695R91	IH	451948	87199	AM WH	455026	8766	C-R	471633!	88090	MCCOR	5921
868860R92	IH	HU024A	8720	C-R	471570!	876750	WHITE	100495	88092	MCCOR	417316!
868861R1	IH	730004	8720035	BOWEN	415645!	876750	WHITE	417349	88093	MCCOR	417484!
8690	C-R	712270	8720035	BOWEN	455104	8772	C-R	471633!	88093S	MCCOR	417484!
8691	C-R	712270	8720316	GMC	340823	8773	C-R	471646!	88094	MCCOR	417344!
8691260	ACF	415035	8721	C-R	471570!	8774	C-R	471646!	88095	MCCOR	417159
8691260	ACF	415035!	872164	WHITE	471224!	8777	NATL	9569S	88096	MCCOR	417159
8691268	ACF	471271!	8722125045	HUB-C	471516!	8777	SPG	9569S	88097	MCCOR	415458!
869235	WHITE	416297	8724S	SPG	7131	8779	C-R	471646!	8809LPD	JN-MN	415045!
869264	WHITE	410308	8725	C-R	471570!	8779S	CROWN	471554!	8809LUP	JN-MN	415045!
869550	IH	417356!	8727	C-R	471570!	8780	C-R	471646!	88101	MCCOR	455151
869550	IH	455188	872797	WHITE	415854	8780	HYST	416288!	88102	MCCOR	416654
8696	C-R	471570!*	872927	CLARK	474272!	87804	HYST	7042S	88103	MCCOR	416273!
86960	GRAM	50402	872E-10	CLARK	473473	878155	WHITE	471553!	88104	MCCOR	417485
86964	WHITE	410308	8731	HYST	473232	878163	WHITE	471765!	88105	MCCOR	415458!
8697	C-R	471570!	873157R91	IH	471341!	8782	C-R	471646!	88107	MCCOR	415001!
86978	GRAM	471224!	873158R91	IH	471341!	878346	WHITE	476470	8810LPD	JN-MN	416137*
86HM6700A6A	FORD	3774	873190	WHITE	471316!	878349	WHITE	415991!	8810LUP	JN-MN	416137
86HM6701A1A	FORD	473573	873190A	WHITE	471316!	878349	WHITE	415991!	8811010A	HARWA	88X110X12
86SM6700A6A	FORD	3771	873448	WHITE	417570	8784	C-R	471646!	88111	MCCOR	3210
86SM6701A6A	FORD	3772	87355	HYST	415995!	8785	C-R	471646!	88115	MCCOR	5971
86TM6701A1A	FORD	473573	87355	HYST	415995!	8785A	F-R-H	416921!	88117	MCCOR	415899N
8700	C-R	471570!	873637	FIAT	223535	8786A	F-R-H	415138!	88117	MCCOR	416624
870061	WHITE	470954	87365	GRAM	473463	8787	C-R	471646!	88118	MCCOR	6074
870080	WHITE	470954!	87378	HYST	416229	8787A	F-R-H	416888!	8811LPD	JN-MN	415064
8702	C-R	471570!	87379	HYST	473367	8788A	F-R-H	417563	8811LUP	JN-MN	415064
870217	WHITE	471737	873793	WHITE	471224!	8789A	F-R-H	416666	88121	MCCOR	417344!
870224	WHITE	471795	87380	HYST	473232!	879573	WHITE	471141!	88122	MCCOR	415960
870224B1	DIA	471795	87381	HYST	472394	879579	WHITE	471466!	88122S	MCCOR	415960!
870224D1	DIA	471795	87382	HYST	416404!	8796	C-R	471646!	88123	MCCOR	415995!
8703	C-R	471570*	873837	WHITE	413248	8797	C-R	471646!	88126	MCCOR	417351!
870349	WHITE	473179	8741	C-R	471570!	879981	BENDI	350909	88128	MCCOR	417492
8704	C-R	471570	8741	HYST	470380!	879981	BENDI	471224!	88129	MCCOR	417316!
870453	WHITE	471224!	8741225028	HUB-C	471224!	88000	MCCOR	471413	88130	MCCOR	415960
870485C91	IH	370030A	8741225036	HUB-C	471224!	88001	MCCOR	417073	88133	MCCOR	45013S
8705	C-R	471570!*	8742125009	HUB-C	472164!	88002	MCCOR	415001!	88135	MCCOR	474272
87055S94	FORD	421	8742125026	HUB-C	473197	88011	MCCOR	5797	88136	MCCOR	455005
8706	C-R	471570!*	8742125027	HUB-C	470390	88017	MCCOR	455336	88137	MCCOR	417344!
87061S94	FORD	427RR	8742125045	HUB-C	471516!	8801LPD	JN-MN	417539!*	88137S	MCCOR	417344!
8707	C-R	471570	8745	C-R	471570!	8801LUP	JN-MN	417539!	88138	MCCOR	455008
87074	AMC	470530!	87467	BENDI	240816	8802	C-R	240215	88139	MCCOR	416921!
8708	C-R	471570!	874768	BENDI	340797	88023	MCCOR	455310	88140	MCCOR	417487
870889C91	IH	370048A	8748	C-R	471570!	88025	MCCOR	5965	88141	MCCOR	455015
870890C91	IH	370048A	8748	HYST	471264!	88026	MCCOR	418028	88142	MCCOR	456105
8709	C-R	471570!	87480	C-R	486642*=	88026	MCCOR	455137!	88143	MCCOR	415085!
8710	C-R	471570!*	8748919	WILYS	471224!	88028	MCCOR	415137!	88143	MCCOR	456648
8711	C-R	471570!	8749999008	HUB-C	J1103	88028	MCCOR	418028	88144	MCCOR	417487
8711329	CHRYSL	340771	875	UNIVE	350435*	88029	MCCOR	416288!	88145	MCCOR	416282
8712	C-R	471570!	8752	DICO	203013	88035	HYST	470954!	88146	MCCOR	417172
871239R91	IH	471787	875242	WHITE	415458!	88045	MCCOR	475348N	881467	WHITE	412027
871240R91	IH	471787	87535	C-R	415128	88046	MCCOR	417487!	88147	MCCOR	415991
871275	WHITE	471192	875380	C-R	455966	88046	MCCOR	417487	88147	MCCOR	455146!
871281R91	IH	40576S	87540	C-R	415128	88047	MCCOR	417171!	88148	MCCOR	417134
871303R91	IH	472560N	87541	C-R	415128*	88049	MCCOR	417621!	88149	MCCOR	417351!

! Industrial Size/Type *Minor Width Difference

=The U.S. customer service number is 877-4-TIMKEN. The Canadian customer service numbers are 800-565-4927 (English) and 800-565-0438 (French-Canadian).

Mfr. No.	Name	Zero Duplication or Recommended Industrial	Mfr. No.	Name	Zero Duplication or Recommended Industrial	Mfr. No.	Name	Zero Duplication or Recommended Industrial	Mfr. No.	Name	Zero Duplication or Recommended Industrial
881499	WHITE	415938	88224	MCCOR	417343!	88314	MCCOR	8429S	8873427	GMC	730004
8814LPD	JN-MN	471649!	88224	C-R	472179	88319	EATON	370003A	8873428	GMC	HU024A
8814LUP	JN-MN	471649!	8822LPD	JN-MN	417362!	8831LPD	JN-MN	471192	8873LPD	JN-MN	473245!
88150	MCCOR	55155=	8822LUP	JN-MN	417362!	8831LUP	JN-MN	471192	8873LUP	JN-MN	473245!
88151	MCCOR	417488!	88230	MCCOR	5M867	883238	WHITE	417134	8875	C-R	470645*
88152	MCCOR	412473!	88232	MCCOR	415995!	88326M	IH	411394!	8875081	GMC	410686N
88153	MCCOR	417492	88232	MCCOR	415995!	88327	EATON	370121A	8875LUP	JN-MN	416380!*
88154	MCCOR	417481	88233	MCCOR	5M559	88327M	IH	450090	88760	C-R	455129*
88155	MCCOR	412861	88235	MCCOR	417350!	88343	AM WH	417491	8876337	GMC	472179
88156	MCCOR	455253	88236	MCCOR	473010!	883552	WHITE	410737!	8877993	GMC	6864S
88157	MCCOR	415259!	88237	MCCOR	416444	883555	WHITE	5487	8878141	BENDI	470590
88158	MCCOR	455260	88238	MCCOR	455500	883557	WHITE	455858	8878142	BENDI	471785!
88159	MCCOR	417349	88239	MCCOR	418029!	8835LPD	JN-MN	417604	8880SSR	SPG	6638S
8815LUP	JN-MN	473233!	8823LPD	JN-MN	415871	8835LUP	JN-MN	417604	8881538	GMC	J1138
88160	MCCOR	417082	8823LUP	JN-MN	415871	8835S0	NATL	3983	8881555	GMC	415938
88161	MCCOR	415991	8824	C-R	470590	8835SCR	SPG	8835S	8881715	GMC	472015!
88161	MCCOR	455146!	88241	MCCOR	415442!	8838378	RCA	240435	8883	SPG	51322
88162	MCCOR	415984!	88241	MCCOR	55442	883865	WHITE	254287	8884561	GMC	470898
88163	MCCOR	417191	88242	MCCOR	417343!	883867	WHITE	456744N	8885	C-R	8348N=
88163	MCCOR	456585	88244	MCCOR	412473!	8838LPD	JN-MN	455336*	88870	GMC	473238!
88164	MCCOR	55337	88245	MCCOR	5MR1009	8838LUP	JN-MN	455336	888712	BUC-E	455117
88165	MCCOR	415991	88246	MCCOR	418028	883935M4	MASSE	1037	888712	C-R	455117
88165	MCCOR	455146!	88248	MCCOR	417316!	8841LPD	JN-MN	417191	888712M1	C-R	455117
88166	C-P	471466	88249	MCCOR	416292	8841LPD	JN-MN	456585	888774	WHITE	6644
88166	MCCOR	416404!	8824LPD	JN-MN	417606	8841LUP	JN-MN	417191	8887LPD	JN-MN	473448*
881661	WHITE	5487	8824LUP	JN-MN	417606	8841LUP	JN-MN	456585	8887LUP	JN-MN	473448
88167	C-P	340413	8825	C-R	470590	8842	C-R	471137*	88884A	HEIL	417316!
88175	MCCOR	417344!	88251	MCCOR	55276=	884299	WHITE	415483	88884A	HERCU	417316!
88176	HYST	415447	88252	MCCOR	416956	884439C91	IH	415072	8888S	SPG	9449
88177	MCCOR	416706	88253	MCCOR	417484!	884579	WHITE	417354!	888910	C-R	416657
8818	TMTR	330385	88257	MCCOR	415960	884581	WHITE	472179	889197	WHITE	471870!
88180	MCCOR	417316!	88258	MCCOR	412473!	884582	WHITE	415437	889246	WHITE	415995!
88180S	MCCOR	417316!	88259	MCCOR	6575S	8845SS	JN-MN	476470	88958818	GMC	415449
88183	MCCOR	416404!	8825LPD	JN-MN	417525	8846	C-R	471137	889736C91	HOUGH	476470
88184	MCCOR	455079!	8825LUP	JN-MN	417525	884615	BENDI	471267!	889736C91	HOUGH	476470!
88185	MCCOR	415082	8826	TEKNI	471766!	884634	SPICE	415023	889736C91	IH	476470
88186	MCCOR	415088	88260	MCCOR	417134	8848	C-R	471137	889737C91	IH	417134
88186	MCCOR	415088!	88262	MCCOR	6846S=	8849	C-R	471137	889738C91	HOUGH	417254
88187	MCCOR	455144	88264	MCCOR	6754S=	88526A	HEIL	471760	889738C91	IH	417254
88188	MCCOR	415350	88268	MCCOR	455566	88526A	HERCU	471760	889739C91	HOUGH	416041
88189	MCCOR	475384	8826LPD	JN-MN	417548*	885379	WHITE	6808N	889739C91	IH	416041
8819	C-R	470590*	8826LUP	JN-MN	417548	885387	WHITE	410987!	88973C91	IH	476470
88191	MCCOR	2081	88271	MCCOR	415995!	885543	WHITE	6547	8899R	JN-MN	473231
88192	MCCOR	6127	88272	MCCOR	417486	8855SS	JN-MN	471549!	88AX-420	MACK	370003A
88193	MCCOR	476470	88273	MCCOR	415234!	8856SS	JN-MN	473405	88AX1	MACK	473215!
88197	MCCOR	476470!	88274	MCCOR	415458!	8857	C-R	471137	88AX10	MACK	476838!
88197	MCCOR	476470	88275	MCCOR	415146!	8857LPD	JN-MN	416282	88AX100	MACK	417172
88198	MCCOR	417343!	88275	MCCOR	415991	8857LUP	JN-MN	416282	88AX100P3	MACK	417172
88199	MCCOR	410825	88277	MCCOR	5M643	8858LPD	JN-MN	410102	88AX101	MACK	50199S!
881991M1	MASSE	415483!	88277S	MCCOR	410308!	8860	C-R	471730	88AX101	MACK	6863S!
8819LPD	JN-MN	415090	88278	MCCOR	3103!	8860R	JN-MN	417247!	88AX102	MACK	473419!
8819LUP	JN-MN	415090	88279	MCCOR	415857!	8861SS	JN-MN	473236!	88AX103	MACK	472015!
8820	C-R	470590	88280	MCCOR	6930	88643	HYST	410737!	88AX104	MACK	473213!
88202	MCCOR	417191	88281	MCCOR	416706!	8864LPD	JN-MN	450474*	88AX109	MACK	415449!
88203	MCCOR	46997S	88283	MCCOR	415984!	8864LUP	JN-MN	450474	88AX11	MACK	470059
88204	MCCOR	416294!	88286	MCCOR	345146	8865	C-R	471730	88AX11	MACK	470380!
8820G	OSHKO	415001!	88287	MCCOR	45825S	8865LPD	JN-MN	415001!	88AX110	MACK	AR12+370033A
8820LPD	JN-MN	471413!	88288	MCCOR	4040!	8865LUP	JN-MN	415001!	88AX110P1	MACK	417356!
8821	C-R	470590	88292	MCCOR	417343!	8866	C-R	471730	88AX110P1	MACK	455188
882125	WHITE	415449!	88293	MCCOR	417480!	8866A	C-R	474276!	88AX111	MACK	417196!
88214	MCCOR	416706!	88294	MCCOR	415991	8868LPD	JN-MN	455462	88AX113	MACK	471553!
88217	MCCOR	415991	88296R	JOHND	472287!	8868LUP	JN-MN	455462	88AX114	MACK	471570!
88217	MCCOR	415991!	88300	MCCOR	416500	886D6	WHITE	5951	88AX115	MACK	471689!
88218	MCCOR	415995!	88301	MCCOR	410825	8870	C-R	470645*	88AX116	MACK	474281!
88218	MCCOR	415995!	88303	MCCOR	417621!	88702	C-R	416657	88AX117	MACK	473462
8821LPD	JN-MN	415437!	88304	MCCOR	411348!	88710	C-R	416657*	88AX118	MACK	473367!
8821LPD	JN-MN	415437	88307	MCCOR	8976S	887140	WHITE	HU013A	88AX118	MACK	473367
8821LUP	JN-MN	415437	88308	MCCOR	418028	8871718	GMC	442380	88AX119	MACK	416738!
8821LUP	JN-MN	415437!	88309	MCCOR	8139	8871719	GMC	416273!	88AX119	MACK	450096
88221	MCCOR	5951	88310	MCCOR	7338N	8871720	GMC	416273!	88AX12	MACK	473426
88222	MCCOR	473214	88312	MCCOR	8370S	8873095	GMC	416654	88AX120	MACK	472016
88223	MCCOR	5578	88313	MCCOR	417316!	8873096	GMC	416654	88AX120P2	MACK	472016

! Industrial Size/Type * Minor Width Difference

= The U.S. customer service number is 877-4-TIMKEN. The Canadian customer service numbers are 800-565-4927 (English) and 800-565-0438 (French-Canadian).

NUMERICAL INTERCHANGE

Mfr. No.	Name	Zero Duplication or Recommended Industrial	Mfr. No.	Name	Zero Duplication or Recommended Industrial	Mfr. No.	Name	Zero Duplication or Recommended Industrial	Mfr. No.	Name	Zero Duplication or Recommended Industrial
88AX417	MACK	415294!	88AX75P3	MACK	476838!	8920	FALCK	416664!	8948LUP	JN-MN	415090
88AX418	MACK	415058	88AX76	MACK	473426	8920	FED	416664!	8949LPD	JN-MN	417562
88AX419	MACK	370033A	88AX76P3	MACK	473426	8920200	GMC	473476	8949LUP	JN-MN	417562
88AX421	MACK	416892	88AX77	MACK	370036A	892066	WHITE	370007A	894A786	GE	450457
88AX424	MACK	370069A	88AX77	MACK	370349A	8921150B	GMC	470954!	8950LPD	JN-MN	416229
88AX424	MACK	380069A	88AX79	MACK	415645!	8921301	GMC	455956H	8950LUP	JN-MN	416229
88AX425	MACK	370037A	88AX79	MACK	455104	8922045	GMC	417344=	895121C1	IH	417316
88AX425	MACK	370338A	88AX79P3	MACK	415645!	8922045-B	GMC	417344=	8951LPD	JN-MN	415116
88AX427	MACK	370019A	88AX79P3	MACK	455104	8922046	GMC	417344=	8951LUP	JN-MN	415116
88AX429P3	MACK	471224!	88AX7P3	MACK	472924!	8923654	GMC	417550	8952LPD	JN-MN	455406!
88AX432	MACK	370005A	88AX8	MACK	450039	8923655	GMC	J2037=	8952LUP	JN-MN	455406!
88AX439	MACK	370023A	88AX81	MACK	473438	8924374	GMC	455134	8953000237	AMC	4019N
88AX440	MACK	415991!	88AX82	MACK	472157!	8924453	GMC	39904	8953000239	AMC	470547
88AX440	MACK	415991	88AX82	MACK	472157	892457	WHITE	5481	8953000476	AMC	473212
88AX440P2	MACK	415991!	88AX83	MACK	472185!	8924LPD	JN-MN	471833	8953002642	AMC	473452
88AX440P2	MACK	415991	88AX84	MACK	416332!	8925LPD	JN-MN	417267	8953LPD	JN-MN	417602!
88AX440P4	MACK	415991	88AX84-P1	MACK	416332!	8925LUP	JN-MN	417267	8953LUP	JN-MN	417602!
88AX441P3	MACK	417278	88AX84-P2	MACK	416332!	8926135	GMC	357971V=	895486	WHITE	415983N!
88AX442P3	MACK	415294!	88AX88	MACK	415001!	8926902	GMC	415035	895486T2	DIA	415983N!
88AX443	MACK	370173A	88AX89	MACK	415116	89270	BR-ST	473426	895486TZ	WHITE	415983N!
88AX444P2	MACK	415983N!	88AX9	MACK	473438	8927748	GMC	415284	8954LPD	JN-MN	417604
88AX448	MACK	415058	88AX90	MACK	470088	8927749	GMC	327934	8954LUP	JN-MN	417604
88AX450	MACK	370005A	88AX93	MACK	471354!	8928213	GMC	454136N	8955LPD	JN-MN	416364!
88AX454	MACK	472012	88AX93P3	MACK	471354!	8928LPD	JN-MN	472951	8955LUP	JN-MN	416364!
88AX455	MACK	4489V=	88AX94	MACK	417556	8928LPD	JN-MN	474252	89569	US-EL	471821!
88AX455	MACK	713750	88AX95	MACK	417223	8928LUP	JN-MN	472951	8956A	C-R	417621!
88AX463	MACK	713750	88AX96	MACK	411376!	8928LUP	JN-MN	474252	8956LPD	JN-MN	417542
88AX463	MACK	714489	88AX97	MACK	415437!	8929134	DETRO	472324	8956LUP	JN-MN	417542
88AX466	MACK	415058	88AX97	MACK	415437	8929134	GMC	472324	895781	WHITE	410496!
88AX467	MACK	416892	88AX97P3	MACK	415437!	8929154	GMC	484156V	8960B	HYST	416921!
88AX469	MACK	370048A	88AX97P3	MACK	415437	8929213	GMC	454136N	8961248	GMC	2361
88AX469	MACK	380048A	88AX98	MACK	415350	8929503	GMC	4494V	896473	ROCKW	415995!
88AX47	MACK	415988	88AX99	MACK	417563	893	ITM	224040	896473	ROCKW	415995!
88AX49	MACK	415995!	88AXB1	MACK	416706	893	ITM	40X60X10!	896473	WHITE	415995!
88AX49-P2	MACK	415995!	88AXB2	MACK	415001!	89307	HYST	417262!	896473T2	DIA	415995!
88AX5	MACK	471137	88AXB21	MACK	416029N!	8931A	C-R	415088	89660	BR-ST	7014S
88AX50	MACK	416706	88AXB4	MACK	416706!	8931A	C-R	415088!	89692	BR-ST	471267!
88AX51	MACK	416706!	88AXB5	MACK	415960	8932	FULLE	240735	896941R91	IH	370048A
88AX52	MACK	412943	88AXBF	MACK	417621!	893220	WHITE	6597S	896K1	WHITE	474276
88AX53	MACK	411253!	88AXM	MACK	415995!	893220K1	DIA	6597S	89724	CHRYS	471827
88AX54	MACK	415991	88AXT21	MACK	416239!	893230	WHITE	6597S	8972LPD	JN-MN	472185!
88AX54	MACK	455146!	88G490	LEYLD	224470	8932A	C-R	415832	8972LUP	JN-MN	472185!
88AX55	MACK	417210!	88G490	LEYLD	44X72X10!	8933002971	AMC	424	897348R91	IH	412119
88AX55-P2	MACK	417210=	88G561	LEYLD	1873	893300414	AMC	716445	89735R1	IH	240735
88AX56	MACK	412473!	88X110X12	SIMRT	88X110X12	8933004143	AMC	716445	8973R	JN-MN	472572!
88AX58	MACK	455151	88X110X12SC	TRSCM	88X110X12	8933004143	NOK	716445	8973S	SPG	9015S
88AX59	MACK	370036A	88X110X12TC	TRSCM	88X110X12	893747	WHITE	100495	897436R91	IH	416426H=
88AX59	MACK	370349A	890016C91	IH	416380!	893747	WHITE	417349	897599R91	IH	455005
88AX59P3	MACK	370036A	8900LPD	JN-MN	415284	893747T2	DIA	417349!	8975LPD	JN-MN	471619!
88AX59P3	MACK	370349A	8900LUP	JN-MN	415284	893788C91	IH	471571	8975LUP	JN-MN	471619!
88AX6	MACK	470334!	8900S	SPG	6886S	8941LUP	JN-MN	457299	898235-R93	IH	370019A
88AX61	MACK	415995!	8901R	JN-MN	417562	894225C91	IH	412119	8983501389	AMC	4370N
88AX61P3	MACK	415995!	890475	WHITE	470530!	8943LPD	JN-MN	455129*	8983501872	AMC	474278
88AX62	MACK	416666	89070	C-P	470954!	8943LUP	JN-MN	455129	8983503010	AMC	473214!
88AX63	MACK	472572!	8909	HYST	470334!	8945LUP	JN-MN	415023	8983503063	AMC	9912
88AX64	MACK	410987!	891002	WHITE	HU028A	8945R	JN-MN	415023	8983503504	AMC	710202
88AX65	MACK	416865!	891004	WHITE	HU034A	894631	SPICE	415995!	8983503752	AMC	223831
88AX65P3	MACK	416865!	891015	WHITE	370001A	8946315	SPICE	415072	8983504434	AMC	472572
88AX66	MACK	473245!	891033	WHITE	370001A	8946316	SPICE	415035!	8985R	JN-MN	455328
88AX67	MACK	473463	891034	WHITE	370001A	8946316	SPICE	415035	89878	HYST	485725N
88AX68	MACK	471354!	891035	WHITE	370001A	894632	SPICE	415449!	8989LPD	JN-MN	450084!
88AX69	MACK	5751	8910A	C-R	415449!	894633	H-S	415449!	8989LUP	JN-MN	450084!
88AX7	MACK	472924!	89121024	RCA	470954	894633	SPICE	415351!	898F8	C-R	415656
88AX70	MACK	416125!	89121027	RCA	471224	894637	SPICE	415991	8991LPD	JN-MN	411376!
88AX71	MACK	455056	891437	CHRYS	5797	894637	SPICE	455146!	8991LUP	JN-MN	411376!
88AX72	MACK	417269!	891448	CHRYS	470354	894638	SPICE	470712!	899246	WHITE	415995!
88AX73	MACK	417516	891448	CLARK	470354	8946LPD	JN-MN	416891!	8993LPD	JN-MN	55539=
88AX74	MACK	455297	891448	MASSE	470354	8946LUP	JN-MN	416891!	8993LUP	JN-MN	55539=
88AX75	MACK	476838!	89185	AM WH	416239!	894763M1	MASSE	416921!	899448	CLARK	100495
88AX756	MACK	J1289*=	891944	CLARK	204013	8947LPD	JN-MN	415072	899448	CLARK	417349
88AX758	MACK	J1293*=	8919LPD	JN-MN	415090*	8947LUP	JN-MN	415072	8998	DICO	441319
88AX75P1	MACK	476838!	8919LUP	JN-MN	415090	8948LPD	JN-MN	415090	89986R91	IH	450143

! Industrial Size/Type * Minor Width Difference

= The U.S. customer service number is 877-4-TIMKEN. The Canadian customer service numbers are 800-565-4927 (English) and 800-565-0438 (French-Canadian).

NUMERICAL INTERCHANGE

Mfr. No.	Name	Zero Duplication or Recommended Industrial	Mfr. No.	Name	Zero Duplication or Recommended Industrial	Mfr. No.	Name	Zero Duplication or Recommended Industrial	Mfr. No.	Name	Zero Duplication or Recommended Industrial
8999LPD	JN-MN	417496*	8H7319	CATER	417621	8X16X7	SIMRT	8X16X7	90063	C-R	415090
8999LUP	JN-MN	417496	8H9155	CATER	456946N=	8X16X7SC	TRSCM	8X16X7	90066	SPG	473367
899A4	WHITE	408	8H9180	CATER	7188S	8X18X5AN(35)	ISP	8X18X5	900665	EL-MO	473241
8A0-501-641A	AUDI	1962	8H9220	CATER	471267!	8X18X7SC	TRSCM	8X18X7	900666	EL-MO	471192
8A1096	FED	410308!	8H9519	CATER	474274	8X18X7TC	TRSCM	8X18X7	90067	SPG	473228!
8A1126	FED	473463	8H9520	CATER	471267!	8X22X7	FORSH	8X22X7!	900695	EL-MO	471316
8A1177A	FORD	471835!	8H9826	CATER	470605!	8X22X7	SIMRT	8X22X7!	900734	EL-MO	473227!
8A1177A1	FORD	471835!	8H9836	CATER	473232	8X22X7SC	TRSCM	8X22X7!	900757	EL-MO	415449!
8A1177A2	FORD	471835!	8J1190	FORD	6547	8X22X7TC	TRSCM	8X22X7!	900831	EL-MO	417079
8A1177A3	FORD	471835!	8J4869	CATER	416364!	8X24X7	FORSH	8X24X7	90091926	GMC	228008
8A1190A	FORD	473235	8J7893	JNSON	J1119	8X24X7	SIMRT	8X24X7	900920	EL-MO	416130!
8A3591A1	FORD	240151	8L2594	CATER	471570!	8X24X7SC	TRSCM	8X24X7	900927	EL-MO	416556!
8A3591A2	FORD	240151	8L2595	CATER	417350!	8X24X7TC	TRSCM	8X24X7	900927	EL-MO	472157
8A56277S	TROS	55301S	8L2891	CATER	481443!	9-09924-449-0	VILA	228480	900939	EL-MO	417474
8A6000	FED	471570!	8L3024	CATER	481443!	900 C-R	415983N+99372	900959	EL-MO	471316	
8A63	PUL	HU013A	8L6547	CATER	472475	900 UNIVE	415090*	90096	ADAMS	471413	
8A64	PUL	HU009A	8L7657	FORD	473235!	900016	EL-MO	471424!	900974	EL-MO	472015!
8A7261	FED	473215!	8L7657A	FORD	473235!	90003	C-R	55301S	900991	EL-MO	415302
8A7262	FED	471570!	8L7657B	FORD	7300S	90005	C-R	55301S	901 C-R	712270+99086	
8A7976	FED	450307	8L7657C	FORD	7300S	90006	C-R	417940!	901 C-R	712270+99087	
8A8203	FED	470898!	8M1177	FORD	40067S=	90006	C-R	55301S*	901017	WAYNE	240733
8A8579	FED	415449!	8M1177A	FORD	473228	900108	EL-MO	416664!	901018	WAYNE	450039
8AX1177	FORD	471835!	8M1177B	FORD	473228	900110	MICH	415090*	90102037	DEMPC	471760
8B136	CATER	472705!	8M3524	CATER	470334!	9001100	UNIVE	415090*	901027	WAYNE	450908=
8B2240	FED	410708	8M3591	FORD	240356	9001223	GMC	471466!	9010625	GMC	J1117
8B2702	CATER	473367!	8M4104	CATER	473459	90015	C-R	455476	9010630	GMC	415483
8B2702	CATER	473367	8M4676	FORD	5778	900154C	SPG	712140	9010A	C-R	471763*
8B6341	CATER	417513	8M4676A	FORD	5778	900156	EL-MO	415867	9012	JN-MN	370023A
8B7180	CATER	473228	8M7657	FORD	473228!	90016	C-R	455476	90122607	GMC	710232
8B7618	CATER	410987!	8M8110	CATER	456837V	900160	C-R	456462	90122609	GMC	1108
8B7989	CATER	415437	8M8761	CATER	472018	90017	C-R	455476	90123632	JOY	471413!
8B8252	CATER	473215!	8M8955	CATER	415035	90019	C-R	455476	90124110	JOY	415058
8B8255	CATER	472409!	8M9299	CATER	471570!	9001R	JN-MN	417498	901241100	JOY	417344!
8B8294	CATER	416654!	8N-4233A	FORD	472492	9002	JN-MN	416892	901241101	JOY	416654!
8B8359	CATER	471766!	8N4233	FORD	472492!	900202	EL-MO	455079!	901241104	JOY	415995!
8B8616	CATER	476470	8N4233A1	FORD	472492!	900218	EL-MO	471567!	901241105	JOY	473245!
8B8925	CATER	473229	8N4233A2	FORD	472492!	900229	EL-MO	415088	901241106	JOY	470059
8B9631	CATER	470334!	8N4248	FORD	6643S	900229	EL-MO	415088!	901241106	JOY	470380!
8C3100	CATER	471192	8N4248A	TRU-P	6643S	90023	C-R	455462*	901241108	JOY	480210!
8C5167	CATER	417484!	8N4248B	FORD	6643S	90024	C-R	455462	90124111	JOY	417487
8C5210	CATER	471267	8N4251	FORD	417316!	90025	C-R	455462	901241115	JOY	416865!
8C5236	CATER	73478=	8N4251B	FORD	417316!	900250	C-R	455462	90124112	JOY	456105
8C815248	FUNK	472164!	8N7052	FORD	472258	900253C	SPG	712139	901241120	JOY	481073
8C87638	FUNK	411253!	8N7052A	FORD	472258	90026	C-R	455462	901241121	JOY	471553!
8D1175	FORD	410987!	8N7052A1	FORD	472258	900276	EL-MO	471570!	901241123	JOY	471689!
8D2311	CATER	416167!	8N7052A2	FORD	472258	900279	EL-MO	417556	901241124	JOY	471649!
8D3902	CATER	416332!	8N7052A3	FORD	472258	90030	C-R	415090	901241125	JOY	471224!
8EB1190	FORD	6638S	8N7052H	FORD	471141!	900301	EL-MO	412920!	901241127	JOY	471763
8EB3591A	FORD	480630!	8QH1174	FORD	6532S=	900302	EL-MO	471763	901241128	JOY	476838!
8EB3591A1	FORD	480630!	8QH1181	FORD	6532S=	900313	EL-MO	473214!	901241129	JOY	470712!
8EB3591A2	FORD	480630!	8S2225	CATER	254287*	90035	C-R	415090	90124113	JOY	415035
8EQH2965	FORD	471689!	8S4862	B-L-H	472164!	90036	C-R	415090*	90124113	JOY	415035!
8F0019	CATER	100641	8S5575	CATER	471442!	900366	EL-MO	416154!	901241131	JOY	471750!
8F1596	CATER	415327	8S5575	CATER	48297	900384	EL-MO	415437	901241132	JOY	470625!
8F2079	CATER	471705!	8T0085	CATER	417940!	900392	EL-MO	471224!	901241133	JOY	473229
8F3522	CATER	472179	8T0322	CATER	416865N	900402C	SPG	472150	901241135	JOY	470712!
8F3528	CATER	471763	8T1009	HU-WR	473313	9004LPD	JN-MN	455019!*	901241137	JOY	473010
8F3600	CATER	415035	8T1020	HU-WR	473245!	9004LUP	JN-MN	455019!	901241138	JOY	473446
8F4331	CATER	413479	8T1051	HU-WR	415938	9005	C-R	710254	901241139	JOY	473236!
8F450	CATER	470328	8T1284	HU-WR	417563	9005	JN-MN	370021A	901241142	JOY	470334!
8F450	CATER	481213!	8T1402	HU-WR	472016	900509	EL-MO	416666	901241144	JOY	473450
8F5179	CATER	471442	8T2230	CATER	4419!	90052	DENCO	410102	901241145	JOY	471866!
8F530	CATER	415023	8T2604	CATER	351487	900520	EL-MO	416239!	901241146	JOY	473458!
8F5340	CATER	240731	8T2604	CATER	7188S	9005354	GMC	415938	901241147	JOY	471868
8F5583	CATER	417562	8T3007	CATER	77980=	9005357	GMC	417602!	901241148	JOY	472439
8F7702	CATER	727410	8T3413	CATER	473232	9005359	GMC	415938	90124115	JOY	455008
8F9770	CATER	417316!	8T4676A	FORD	410737!	9005360	GMC	416381	901241151	JOY	472397!
8G1002	HU-WR	415027	8T4676B	FORD	410737!	900553	EL-MO	415995!	901241152	JOY	473242
8G1002	HU-WR	415027!	8T6917	CATER	416921!	900556	EL-MO	472397!	901241153	JOY	416738!
8G1085	HU-WR	412473!	8T7021	CATER	417939	90060	C-R	415090	901241153	JOY	450096
8G1176	HU-WR	471649!	8T7274	FORD	472705!	90061	C-R	415090	901241154	JOY	450307
8G1178	HU-WR	473205	8X16X7	FORSH	8X16X7	900621	EL-MO	415725!	901241155	JOY	472016

! Industrial Size/Type * Minor Width Difference

= The U.S. customer service number is 877-4-TIMKEN. The Canadian customer service numbers are 800-565-4927 (English) and 800-565-0438 (French-Canadian).

Mfr. No.	Name	Zero Duplication or Recommended Industrial	Mfr. No.	Name	Zero Duplication or Recommended Industrial	Mfr. No.	Name	Zero Duplication or Recommended Industrial	Mfr. No.	Name	Zero Duplication or Recommended Industrial
901241158	JOY	411253!	90124129	JOY	415645!	90124196	JOY	416444	901246236	JOY	472016
90124116	JOY	471766!	90124129	JOY	455104	90124197	JOY	411245!	901246253	JOY	471570!
901241160	JOY	410694!	901241290	JOY	415938	90124198	JOY	415449!	901246276	JOY	476470
901241161	JOY	411394!	901241293	JOY	473474	90124199	JOY	455151	90124629	JOY	417344!
901241162	JOY	416271!	901241294	JOY	471466!	901244100	JOY	471736	901246294	JOY	417596
901241163	JOY	417073	901241296	JOY	450177	901244107	JOY	470625!	90124630	JOY	416921!
901241164	JOY	410496!	9012413	JOY	416107!	901244108	JOY	470625!	90124631	JOY	471750!
901241165	JOY	415302	9012413	JOY	455073	901244109	JOY	470059	901246314	JOY	416154!
901241166	JOY	415458!	901241301	JOY	416125!	901244109	JOY	470380!	90124632	JOY	471413
901241167	JOY	417485	901241302	JOY	417262!	90124411	JOY	417487	901246323	JOY	456105
901241168	JOY	455005	901241303	JOY	472311!	901244110	JOY	470059	90124638	JOY	481163!
901241169	JOY	417134	901241307	JOY	415995!	901244110	JOY	470380!	90124640	JOY	472029
90124117	JOY	457874	901241308	JOY	471424!	901244112	JOY	473229	90124641	JOY	417507
901241172	JOY	417488!	901241315	JOY	471391!	901244113	JOY	473229	90124641	JOY	417507!
901241173	JOY	55155=	901241323	JOY	471692!	90124412	JOY	456105	90124652	JOY	415995!
901241174	JOY	417621!	901241328	JOY	472560N!	901244120	JOY	472179	90124653	JOY	415991
901241175	JOY	416288!	901241329	JOY	473237!	901244121	JOY	472179	90124653	JOY	455146!
901241178	JOY	412473!	90124133	JOY	415007	901244127	JOY	472572!	90124664	JOY	472179
901241179	JOY	417191	90124135	JOY	473214	901244132	JOY	472492!	90124666	JOY	472492!
901241179	JOY	456585	901241354	JOY	417602!	901244134	JOY	472397!	90124668	JOY	471271!
90124118	JOY	416339	90124136	JOY	415988	901244136	JOY	473463	90124681	JOY	472924!
90124118	JOY	455031!	90124137	JOY	471138!	901244137	JOY	416738!	90124682	JOY	472397!
901241180	JOY	415025	901241370	JOY	470605!	901244137	JOY	450096	9012469	JOY	417344!
901241181	JOY	455249!	901241376	JOY	472492!	901244139	JOY	450532	901247106	JOY	415995!
901241182	JOY	415711	901241391	JOY	473197	901244140	JOY	473467	901247107	JOY	55155=
901241183	JOY	415937!	9012414	JOY	416666	901244145	JOY	473243	901247109	JOY	417621!
901241184	JOY	415379!	90124142	JOY	415379!	901244149	JOY	471272!	901247121	JOY	415034!
901241184	JOY	415379	90124142	JOY	415379	901244153	JOY	411253!	901247162	JOY	55301S
901241187	JOY	417211!	901241427	JOY	417316!	901244154	JOY	412920!	901247165	JOY	415645!
901241189	JOY	415138!	90124143	JOY	418028	901244155	JOY	455136	901247165	JOY	455104
901241190	JOY	415034!	90124143	JOY	455137!	90124416	JOY	471766!	901247177	JOY	416891!
901241192	JOY	417513	90124145	JOY	415960	901244173	JOY	415449!	901247179	JOY	472636!
901241193	JOY	416891!	901241452	JOY	417316!	901244181	JOY	417344!	901247187	JOY	416364!
901241194	JOY	472157!	901241457	JOY	473367	901244182	JOY	417158!	901247193	JOY	471567!
901241194	JOY	472157	90124146	JOY	473238	901244189	JOY	417351!	901247197	JOY	415138!
901241195	JOY	416888!	90124147	JOY	415960	901244191	JOY	417488!	90124731	JOY	471750!
9012412	JOY	417546!	90124148	JOY	472924!	901244197	JOY	417490	901247413	JOY	470605!
90124120	JOY	415045!	90124149	JOY	417356!	901244200	JOY	455336	90124751	JOY	472636!
901241200	JOY	416167!	90124149	JOY	455188	901244202	JOY	418028	901248103	JOY	473450
901241201	JOY	416865!	9012415	JOY	472185!	901244202	JOY	455137!	901248150	JOY	415138!
901241202	JOY	416865!	90124151	JOY	472636!	901244203	JOY	476470	901248156	JOY	472560N!
901241206	JOY	457874	90124152	JOY	415995!	901244213	JOY	417356!	901248161	JOY	411394!
901241208	JOY	416229	90124154	JOY	473232	901244213	JOY	455188	90124823	JOY	412119!
901241209	JOY	411376!	90124157	JOY	416153!	901244222	JOY	416137	9012483	JOY	412119!
90124121	JOY	416892!	90124158	JOY	470530!	901244236	JOY	417278	90124860	JOY	410190
901241211	JOY	415551	9012416	JOY	450084!	901244246	JOY	415072	90124861	JOY	471571
901241213	JOY	417606	90124160	JOY	410737!	90124425	JOY	417316!	90124862	JOY	470712!
901241214	JOY	417020	90124161	JOY	473214	90124426	JOY	476470	90124869	JOY	50075=
901241216	JOY	471648	90124164	JOY	415379	901244260	JOY	411394!	90124871	JOY	473462
90124122	JOY	455024	90124164	JOY	415379!	901244278	JOY	471870!	90124873	JOY	471224!
90124123	JOY	412119!	90124165	JOY	416239!	9012443	JOY	416107!	90124876	JOY	417171!
90124124	JOY	471765!	90124166	JOY	417247!	9012443	JOY	455073	90124880	JOY	481568!
901241241	JOY	470712!	9012417	JOY	415001!	90124430	JOY	416921!	90124899	JOY	450068
90124125	JOY	417316!	90124171	JOY	415991	90124433	JOY	415007	901259D	SPG	413246
901241251	JOY	471272!	90124171	JOY	455146!	90124437	JOY	471138!	901288	O-M	203025
901241254	JOY	415995!	90124172	JOY	410102	90124441	JOY	417507	90129860	GMC	3543
901241259	JOY	471570!	90124173	JOY	471571	90124441	JOY	417507!	90129860	GMC	35X55X11!
90124126	JOY	476470	90124176	JOY	473467	90124443	JOY	418028	901354A	SPG	712137
901241263	JOY	415991	90124177	JOY	413469!	90124443	JOY	455137!	90136	WHITE	473367
901241263	JOY	455146!	90124178	JOY	417171!	901244461	JOY	472164!	90136	WHITE	473367!
901241268	JOY	471567!	90124179	JOY	415021	9012447	JOY	415449!	90136849	GMC	710399
901241269	JOY	473213!	9012418	JOY	413469!	90124476	JOY	473236!	9013LPD	JN-MN	450188
901241270	JOY	417492	90124180	JOY	415988	90124485	JOY	50266	9013LUP	JN-MN	450188
901241271	JOY	416892!	90124181	JOY	415023	90124489	JOY	471224!	9014	JN-MN	370030A
901241272	JOY	415938	90124182	JOY	473215!	90124491	JOY	471224!	90140	WHITE	470059
901241273	JOY	418028	90124184	JOY	471821!	90124493	JOY	471835!	90140	WHITE	470380!
901241273	JOY	455137!	90124187	JOY	474265	90124497	JOY	471692!	9014004	ESSIC	40169S
901241274	JOY	415437	90124189	JOY	472144!	90124499	JOY	471785!	9014005	ESSIC	471529
901241275	JOY	471554!	9012419	JOY	415027	901245121	JOY	472179	9014007	ESSIC	471567!
901241279	JOY	416664!	9012419	JOY	415027!	901245208	JOY	415437	9014015	ESSIC	450593!
90124128	JOY	415036	90124191	JOY	473460	901246127	JOY	416891!	9014016	ESSIC	470328
901241282	JOY	473228	90124194	JOY	472394	901246133	JOY	415138!	9014016	ESSIC	481213!

! Industrial Size/Type

= The U.S. customer service number is 877-4-TIMKEN. The Canadian customer service numbers are 800-565-4927 (English) and 800-565-0438 (French-Canadian).

NUMERICAL INTERCHANGE

Zero Duplication or Recommended Industrial		Zero Duplication or Recommended Industrial		Zero Duplication or Recommended Industrial		Zero Duplication or Recommended Industrial		
Mfr. No.	Name	Mfr. No.	Name	Mfr. No.	Name	Mfr. No.	Name	
9014017	ESSIC	471692!	901VB7 MARI	415090	9043451 EUCLD	352541	9063043 GMC	418028
9014023	ESSIC	471787	902 UNIVE	55218=	9043451 GMC	352541	9063044 GMC	415991
9014042	ESSIC	473231!	9020LPD JN-MN	473242 *	9043LPD JN-MN	472397!	9063044 GMC	455146!
9014043	ESSIC	471504!	9020LUP JN-MN	473242	9043LUP JN-MN	472397!	9064421 GMC	710041
9014049	ESSIC	472572!	902146 EL-MO	471567!	9044336 GMC	480210!	90648 DIVCO	474265
9014051	ESSIC	473426	9021835 GMC	412473!	9044396 GMC	471442!	906486 EL-MO	415389
9014053	ESSIC	470059	9022031 ESSIC	471224	904483 BADGE	471795	906489 EL-MO	417171!
9014053	ESSIC	470380!	902231 EL-MO	417262!	904485 BADGE	471831!	90649 DIVCO	473462
9014055	ESSIC	471224!	9022496 GMC	474276!	9044LUP JN-MN	417541	9065 C-R	222330
9014060	ESSIC	471341!	9022745 EUCLD	470712!	9045LPD JN-MN	415995!	906501 GWI	471231!
9014062	ESSIC	450143	9022745 GMC	470712!	9045LUP JN-MN	415995!	90655 DIVCO	412119!
9014063	ESSIC	473460	9022945 GMC	476470	9046018 GMC	415234!	90656 DIVCO	473245!
9014065	ESSIC	472179	9023693 GMC	340787	9046020 GMC	472636!	9065LUP JN-MN	472954
9014072	ESSIC	471689!	9024 JN-MN	370006A	9046310 SPICE	418028	9068 C-R	222340
9014073	ESSIC	470712!	9024837 GMC	295113=	9046310 SPICE	455137!	907017C1 IH	471647
9014077	ESSIC	50345=	9025 JN-MN	370019A	9046315 SPICE	415991	907159TDR SPG	471267
9014079	ESSIC	474278!	902618 EL-MO	416404!	9046315 SPICE	455146!	907273 WILYS	471341!
9014082	ESSIC	473227	9026194 GMC	240414	9046316 SPICE	415035	90730 CROWN	416271!
9014085	ESSIC	470625!	902700 CLAYE	471818	9046316 SPICE	415035!	907390 WILYS	450588!
9014091	ESSIC	417316!	902701 CLAYE	471763	904633 SPICE	417344!	9074R JN-MN	415449!
9014095	ESSIC	417350!	902704 CLAYE	471413!	904634 SPICE	412473!	9076436 GMC	474278!
9014098	ESSIC	343185	902736 EL-PA	411376!	904635 SPICE	415449!	907653 WILYS	472311!
9014099	ESSIC	240816	902752 CLAYE	210914	904636 SPICE	418028	9076LPD JN-MN	471984
90141	WHITE	470059	9028 JN-MN	415058	904636 SPICE	455137!	9076LUP JN-MN	471984
90141	WHITE	470380!	90280462 GMC	710237	904637 SPICE	412473!	9077LPD JN-MN	472185!
9014102	ESSIC	473239	9028LPD JN-MN	471750!	904638 SPICE	471267!	9077LUP JN-MN	472185!
9014107	ESSIC	6283S	9028LUP JN-MN	471750!	904639 SPICE	472193!	9078 EATON	471820
9014109	ESSIC	5924	9029 JN-MN	370003A	9046A C-R	455144	9078 TRUK	471820
9014117	ESSIC	470954!	90292186 BUC-E	471570!	9048LPD JN-MN	415327*	90788 WHITE	416294!
9014119	ESSIC	417350!	902T2 DIA	471570!	9048LUP JN-MN	415327	9078B EATON	412871!
9014120	ESSIC	471192	902T2 WHITE	471570!	9049000 GMC	471466!	9078B TRUK	412871!
9014123	ESSIC	473215!	903 CALI	415991	904921C1 SOLAR	471407	9078C TRUK	412871!
9014128	ESSIC	473229	903 CALI	455146!	904922C1 SOLAR	471413!	9079A EATON	471272!
9014131	ESSIC	473215!	90304R91 IH	450143	904G OSHKO	416476!	9079A TRUK	471272!
9014141	ESSIC	471692!	9030LUP JN-MN	471608	9050644 GMC	416273!	908 UNIVE	471606
9014143	ESSIC	413247!	90311-45006 VILA	710345	9050712 GMC	470530!	9080 C-R	450038
9014144	ESSIC	472157!	90311-92003 VILA	229210	9050715 GMC	470530!	9080 DICO	204027
9014144	ESSIC	472157	903125 BADGE	470380!	90516AB CASE	473475	908000002478 ROCKW	471466!
9014149	ESSIC	415498	9032 JN-MN	370036A	9051749 EUCLD	410102	9080LPD JN-MN	472354!
9014154	ESSIC	473460	903220 EL-PA	470530!	9051749 GMC	410102	9080LUP JN-MN	472354!
9014170	ESSIC	40494S	9032982 GMC	472439	9051869 GMC	473458!	908112 MICH	415219*
9014172	ESSIC	470954!	903341 EL-MO	416556!	9051994 GMC	415021	9081125 UNIVE	415219*
9014173	ESSIC	365008	903341 EL-MO	472157	9052155 WHITE	370001A	90842 WHITE	415001!
9014179	ESSIC	473415	903342 EL-MO	417262!	9052155 WHITE	370001A	908601 EL-MO	417603!
9014194	ESSIC	416297	903379C1 SOLAR	471571	9052358 GMC	415379	90870 CROWN	6668S
9014201	ESSIC	473234	90342143 GMC	3543	9052413 GMC	455556	9089 OLIVE	470334!
9014211	ESSIC	415379!	903457 EL-PA	416271!	9052824 GMC	712937	909030 OMC	17760
9014211	ESSIC	415379	90354378 GMC	710237	905301 AVCO	472164!	90913 SPG	415449!
9014234	ESSIC	473215!	9035878 EUCLD	412473	9053715 GMC	416282	9092LPD JN-MN	416288!
9014235	ESSIC	472299	9035878 GMC	412473	9053962 GMC	370043A	9092LUP JN-MN	416288!
9015 JN-MN		370023A	9036762 GMC	473215!	905476C1 SOLAR	472179	90935 CATER	472636
90153 SPG		472287!	9036763 GMC	413247!	9054800 GMC	412871!	90940 WHITE	5751
901532C SPG		472397!	9036866 GMC	9773	905530C1 IH	471267!	90RU-21-P2 MACK	AR10+370020A
901556C SPG		710180	9037454 GMC	470898	905531 C IH	480210=	90X110X12SC TRSCM	90X110X12
90156855 GMC		710164	9037547 GMC	417040	90555 C-R	230X260X15	90X110X12TC TRSCM	90X110X12
901577C SPG		472354	9037591 GMC	471344	90562 WHITE	473367!	90X120X12SC TRSCM	90X120X12
901605C SPG		471854!	90386 CHRYS	410308!	90562 WHITE	473367	90X120X12TC TRSCM	90X120X12
9016973 GMC		417603!	904 UNIVE	415219	90563 WHITE	473449	90X125X13ASN ISP	90X125X13
9016987 GMC		415327	9040164 GMC	416654!	9056LPD JN-MN	451857	90X125X13ASN ISP	90X125X7*
901712 C-R		415317	904021 LETN	415483!	9056LUP JN-MN	451857	90X125X13ASN(32) ISP	90X125X13
901716 C-R		415551	904097 BADGE	473228!	90574 WHITE	473228	910 UNIVE	55222=
901716 MINMA		415551	904111 MICH	55218=	905931 BADGE	472185!	91001 KELSE	412920
901716M1 C-R		415551	9041112 UNIVE	55218*=	906006 LETN	415458!	91001R91 IH	417316!
901728 C-R		455397	9041LPD JN-MN	473228	90600R1 NAVST	12473	91002 KELSE	442251
90178 C-R		415116	9041LUP JN-MN	473228	90601H IH	340413	91002R91 IH	417316!
90180515 GMC		228008	9042321 GMC	475384!	906026 LETN	472164!	91007 KELSE	417172
90180529 GMC		714436	9042LPD JN-MN	417191	906027 LETN	472164!	9100801 KELSE	418028
90182165 GMC		710331	9042LPD JN-MN	455165!	906034C1 SOLAR	470380!	9101191 GMC	416239!
90182166 GMC		3543	9042LUP JN-MN	417191	906035 LETN	417171!	91023 FRUEH	417172
9018594 GMC		417020	9042LUP JN-MN	455165!	90623 EATON	712937	9102553 GMC	417298
9019LUP JN-MN		415077*	9043356 GMC	6703S	90626 FI-CO	473228!	91036 CATER	254270
901T2 WHITE		473215!	9043381 GMC	472179	9062821 GMC	471504	91036 TMTR	254270

! Industrial Size/Type *Minor Width Difference

=The U.S. customer service number is 877-4-TIMKEN. The Canadian customer service numbers are 800-565-4927 (English) and 800-565-0438 (French-Canadian).

Mfr. No.	Name	Zero Duplication or Recommended Industrial	Mfr. No.	Name	Zero Duplication or Recommended Industrial	Mfr. No.	Name	Zero Duplication or Recommended Industrial	Mfr. No.	Name	Zero Duplication or Recommended Industrial
9103939	GMC	417555!	91206-PY4-004	ACURA	710298	912596	FALCK	455165!	9129S	MINNM	473467
9105070	GMC	417602!	91207-P56-003	ACURA	350609	912599	FALCK	470328	913	SPICE	473215!
910677	NOK	70X95X10	91207-PR8-005	ACURA	710291	912599	FALCK	481213!	913094	IVECO	713094
91080R91	IH	5405	91208-PG1-003	ACURA	710297	91260-SK7-013	ACURA	710158	91331	IH	473225!
9108767	EUCLD	473236!	91208-PG1-005	ACURA	710297	91260-SK7-014	ACURA	710158	91352	TMTR	471267!
9108767	GMC	473236!	91208-PW5-005	ACURA	710249	91260-SL0-004	ACURA	710160	913580	C-R	55218=
910984C1	SOLAR	471619!	9120LUP JN-MN		472492!	91260-SL5-003	ACURA	710301	913720	C-R	417598
9110079	GMC	55692=	912113	MICH	415871	91260-SL5-004	ACURA	710301	913720M1	C-R	417598
911035	C-W	471141!	9121137	UNIVE	415871	91260-SL5-005	ACURA	710301	9137291	GMC	471689!
911035	WOOL	471141!	91212-PA5-004	ACURA	710329	91260-SR3-003	ACURA	710300	9137381	GMC	415991
911045	LETN	472164!	91212-PR3-003	ACURA	223802	91260-SR3-004	ACURA	710300	913763	CHRYSS	455079!
911046	LETN	472018	91212-PR4-A01	ACURA	223802	912603	FALCK	471652	91377	CHRYSS	240009
911047	LETN	417349	91212-PT0-003	ACURA	224052	912603	MIX	471652	91378	CHRYSS	471424!
9110516	GMC	415379	91213-PH7-003	ACURA	713771	91262-SH3-000	ACURA	710159	91384749	GMC	473179
9110516	GMC	415379!	91213-PH7-013	ACURA	713771	91262-SH3-003	ACURA	710159	914	UNIVE	55224=
9110569	GMC	415995!	91213-PL2-003	ACURA	713771	91262-SL5-003	ACURA	1213N	9140040	GMC	473227
9110569	GMC	415995!	91213-PR3-004	ACURA	1989	91262-SL5-004	ACURA	1213N	914005	ESSIC	471529
9110978	GMC	415137!	91213-PR7-A01	ACURA	1989	91262-SP0-003	ACURA	1180	9140112	GMC	455249!
9110978	GMC	418028	91213-PY3-003	ACURA	3771	91262-SP0-004	ACURA	1180	914023	ESSIC	471787
9110998	GMC	455584	91213-PY3004	ACURA	3771	912628	FALCK	472193!	914035	ESSIC	470059
911105	LETN	417349	91214-PB2-003	ACURA	227610	912677	FALCK	416229	914035	ESSIC	470380!
9111307	GMC	410496!	91214-PH1-013	ACURA	228015	912682	FALCK	450165	914043	ESSIC	471504!
911157	OMC	17760	91214-PH1-661	ACURA	228015	912682	FALCK	471801!	914049	ESSIC	472572!
9111838	GMC	415938	91214-PR4-A01	ACURA	228015	91270	C-R	55218=	914060	ESSIC	471341!
9111933	GMC	89965=	91214-PY3-003	ACURA	228008	912713R91	IH	6808N	914099	ESSIC	240816
9111936	GMC	415551	9121414	GMC	476470	912735	FALCK	415219	9141	HYST	450084!
9111993	GMC	89965=	91215-PG2-005	ACURA	221607	912741	FALCK	415991	914154	ESSIC	473460
911216	AMC	410308!	91215-PR8-005	ACURA	710299	912741	FALCK	415991!	914167	CHRYSS	473457!
911216	WILYS	410308!	91216-PG1-003	ACURA	710157	912748	C-R	473367!	9142002	GMC	416077
9112463	GMC	471750!	91216-PG1-005	ACURA	710157	912748	FALCK	473367!	914201	ESSIC	473234
9113	ALLCH	472560N!	91216-PH8-003	ACURA	222830	912749	FALCK	471504	914207	ESSIC	473454
9113	TRAC	472560N!	91216-PH8-003	VILA	222830	912757	FALCK	417316!	914209	ESSIC	471765!
9113848	GMC	416394	91216-PH8-005	ACURA	222830	912758	FALCK	415995!	914234	ESSIC	473215!
9113LPD	JN-MN	471529	91216-PH8-005	VILA	222830	912759	C-R	476470	914235	ESSIC	472299
9113LUP	JN-MN	471529	91216-PR8-005	ACURA	223235	912760	FALCK	415035	914281	ESSIC	417354!
9113N	NATL	417349	912399	WILYS	340797	912760	FALCK	475845!	9142SS	JN-MN	471224
911447R91	IH	473463	91240	C-R	55532=	912761	FALCK	416888!	9143LUP	JN-MN	457294*
911448R91	IH	470954!	91249-PY3-003	ACURA	221820	912763	FALCK	416107!	9144LPD	JN-MN	413247!
91170	WHITE	50560	912540	FALCK	471821!	912776	FALCK	412473!	9144LUP	JN-MN	413247!
9117078	GMC	415449!	912540	MIX	471821!	912782	FALCK	416666	91474	AM WH	416107!
91172349	GMC	710505	912541	FALCK	50266	912791	FALCK	416556!	91474	AM WH	455073
91172554	GMC	710343	912541	MIX	50266	912791	FALCK	472157	91474	CHRYSS	471413!
91172558	GMC	221122	912542	MIX	413247!	912794	FALCK	413247!	914802	WILYS	6465
91172563	GMC	223830	912543	FALCK	417159	912795	FALCK	415498	914971	WILYS	340210
91173283	GMC	710523	912543	MIX	417159	912796	FALCK	415150!	914972	WILYS	471341!
91173294	GMC	710310	912544	FALCK	415498	912810	FALCK	411245!	9149LPD	JN-MN	411394!
91173941	GMC	223605	912544	MIX	415498	912811	FALCK	417967!	9149LUP	JN-MN	411394!
91175484	GMC	710310	912545	FALCK	455037	912818	FALCK	416888!	915005C1	SOLAR	472179
91175954	GMC	223830	912545	MIX	455037	912820	FALCK	476470	9151994	GMC	415437!
91176031	GMC	223540	912546	FALCK	415138!	912822	FALCK	415379	9151994	GMC	415437
9118259	GMC	471763	912546	MIX	415138!	912822	FALCK	415379!	9151LPD	JN-MN	415041
9119951	GMC	417562	912547	FALCK	416107!	912823	FALCK	416107!	9151LUP	JN-MN	415041
9119952	GMC	415645!	912547	FALCK	455073	912823	FALCK	455073	9152466	GMC	412861
9119952	GMC	455104	912547	MIX	416107!	912824	FALCK	416865!	915263	WILYS	472164!
912	UNIVE	55223=	912547	MIX	455073	912826	FALCK	472397!	915263X	WILYS	472164!
91201-PC1-003	ACURA	221620	912548	FALCK	417210!	912827	FALCK	417603!	915264	WILYS	415991
91201-PC1-004	ACURA	221620	912549	FALCK	417606	912828	FALCK	415871	915264	WILYS	455146!
91201-PW5-015	ACURA	710173	91255-273-000	ACURA	1172	912829	FALCK	415995!	915264X	WILYS	415991
91201-PY5-003	ACURA	225545	91255-SL0-000	ACURA	710293	912830	FALCK	415991	915264X	WILYS	455146!
91201-PY5-005	ACURA	225545	912550	FALCK	415077	912830	FALCK	415991!	9152781	GMC	415991
91202-PY5-003	ACURA	223805	912551	FALCK	416229	912831	FALCK	417254	9152781	GMC	415991!
91202-PY5-005	ACURA	223805	912553	FALCK	415219	912832	FALCK	415294!	9152LPD	JN-MN	471564
91203-PG6-003	ACURA	222743	912554	FALCK	417604	912833	FALCK	416239!	9152LUP	JN-MN	471564
91203-PR4-004	ACURA	1990	912557	FALCK	471138!	912834	FALCK	455121	9153174	GMC	455584
91205-PG1-003	ACURA	224045	912558	FALCK	417350!	912839	FALCK	417600	9153476	GMC	343185
91205-PL3-801	ACURA	224026	912559	FALCK	415234!	912840	FALCK	417158!	9153486	GMC	473215!
91205-PL3-B02	ACURA	224026	912560	FALCK	473238	9128434	GMC	471270!	915496	CHRYSS	6077
91205-PW5-005	ACURA	710147	912561	FALCK	455079!	912846	FALCK	415001!	915497	CHRYSS	416273!
91206-611-005	VILA	710336	912562	FALCK	410102	912848	FALCK	415867	915499	CHRYSS	417485
91206-PG2-005	ACURA	224026	912573	FALCK	416313	912849	FALCK	473230!	915561	CHRYSS	470954
91206-PW5-015	ACURA	224025	9125880	GMC	417262!	9129717	GMC	416158	9156004	GMC	416921!
91206-PY4-003	ACURA	710298	912596	FALCK	417191	912978	FALCK	417357	9156005	GMC	415284

! Industrial Size/Type * Minor Width Difference

= The U.S. customer service number is 877-4-TIMKEN. The Canadian customer service numbers are 800-565-4927 (English) and 800-565-0438 (French-Canadian).

NUMERICAL INTERCHANGE

Mfr. No.	Name	Zero Duplication or Recommended Industrial	Mfr. No.	Name	Zero Duplication or Recommended Industrial	Mfr. No.	Name	Zero Duplication or Recommended Industrial	Mfr. No.	Name	Zero Duplication or Recommended Industrial
9156020	GMC	473243	919317	AMC	7245	92083	MCCOR	455026	92126	MCCOR	417355!
915664	WILYS	2064	919317	WILYS	7245	9208350	GMC	417344!	92127	MCCOR	455189
9158953	GMC	40401	919345	CATER	417598	9208384	GMC	415284	92128	MCCOR	55199=
9159LPD	JN-MN	417273	9193LPD	JN-MN	417490*	92084	MCCOR	415027	9212SS	JN-MN	330699
9159LUP	JN-MN	417273	9193LUP	JN-MN	417490	92084	MCCOR	415027!	9213	TMTR	473215!
9160997	GMC	417343!	9195848	GMC	455655!	9208405	EUCLD	416921!	92130	MCCOR	7208S
916115	MICH	417606	9195902	EUCLD	416383	9208405	GMC	416921!	92131	MCCOR	6270
9161150	UNIVE	417606	9195902	GMC	416383	92085	MCCOR	55028	92133	MCCOR	416556!
9161942	GMC	416921!	919607	WILYS	6808N	9208522	GMC	415988	92133	MCCOR	472157
9162X	SPG	8594S	91D1175	FORD	410987!	92086	MCCOR	416125!	92135	MCCOR	45031S
916380	WILYS	471766	91T119	KELSE	5924	920860	LUF	415551	92136	MCCOR	415379
916401	CABOT	415294!	91T1190	FORD	5924	92087	MCCOR	55030	92136	MCCOR	415379!
916402	CABOT	417205!	91T1190	KELSE	5924	9208737	EUCLD	416381	92137	MCCOR	417498
916463-2	SPICE	415483!	91X6113	GARLK	254270	9208737	GMC	416381	92139	MCCOR	6465
9164631	SPICE	413246	91X6279	GARLK	340817	92088	MCCOR	416339	92140	MCCOR	6465
9164S	SPG	473234!	91X9518	GARLK	441130	92088	MCCOR	455031!	92142	MCCOR	455612=
9165LPD	JN-MN	416666	91X9722	GARLK	340136	92089	MCCOR	415036	921428C1	IH	472015!
9165LUP	JN-MN	416666	92007	MCCOR	5751	92090	MCCOR	416891!	92145	MCCOR	417506
916642	CABOT	417344!	920110	LUF	471647	92091	MCCOR	415150!	9214517	GMC	416865!
916649	CABOT	476470	920116	MICH	55222=	92092	MCCOR	417196!	92146	MCCOR	455024
916650	CABOT	472179	9201162	UNIVE	55222=	92093	MCCOR	416332!	92148	MCCOR	370002A
916651	CABOT	415995!	920140	LUF	471766!	92094	MCCOR	417205!	92149	MCCOR	455037
916654	CABOT	415991	92017	MCCOR	455249!	92095	MCCOR	417504	92150	MCCOR	416130!
916654	CABOT	415991!	92022	MCCOR	415035	92096	MCCOR	417211!	92152	MCCOR	415295
916655	CABOT	472439	92022	MCCOR	415035!	92097	MCCOR	417967!	92155	MCCOR	415697!
916656	CABOT	415034!	92025	MCCOR	415196!	92098	MCCOR	415187	92155	MCCOR	455547
916657	CABOT	415725!	92026	MCCOR	415034!	92099	MCCOR	417356!	92158	MCCOR	455472=
916658	CABOT	472636!	92027	MCCOR	416345!	92099	MCCOR	455188	921584	CHRYSS	410987!
916662	CABOT	415683	92027	MCCOR	455033	92099BPD	JN-MN	455584	921584	GMC	410987!
916720	GWI	415234!	92028	MCCOR	455022	92100	MCCOR	417357	92159	MCCOR	417494
9168004	GMC	417273	92029	MCCOR	455134!	92100	MCCOR	455192!	921599	MIX	470328
9168LPD	JN-MN	472070	92030	MCCOR	415027	9210010	COC	472258!	921599	MIX	481213!
9168LUP	JN-MN	472070	92032	MCCOR	5871	9210010	WHITE	472258!	9216177	GMC	472439
9169	FULLE	240731	92033	MCCOR	415437	9210080	COC	471231!	92162	MCCOR	55236
916968	WILYS	473459	920330	LUF	417316!	9210080	WHITE	471231!	92163	MCCOR	415711
917015001	CLARK	471344	9203928	GMC	40360S!	9210090	COC	471192	92166	MCCOR	415437
917032	WILYS	240816	920400	LUF	476470	9210090	MINNM	471192	92168	MCCOR	6638S
9170LPD	JN-MN	416888!	920400	LUF	476470!	9210090	WHITE	471192	92170	MCCOR	417353!
9170LUP	JN-MN	416888!	92041	MCCOR	415437	92101	MCCOR	472157!	92171	MCCOR	415379
9171LPD	JN-MN	471887	92041	MCCOR	415437!	92101	MCCOR	472157	92172	MCCOR	417211!
9171LUP	JN-MN	471887	92042	MCCOR	415023	92101-0002	WHITE	HU024A	92173	MCCOR	455191
9175976	GMC	415995!	92048	MCCOR	6077	92101-0005	WHITE	HU149A	92174	MCCOR	415035
918083	WILYS	472015!	92050	WHITE	415960!	92101-0006	WHITE	HU149A	92175	MCCOR	6612S
9180LPD	JN-MN	450177*	92059	MCCOR	415023	92101-0007	WHITE	HU149A	92176	MCCOR	6644
9180LUP	JN-MN	450177	9205LPD	JN-MN	415025*	92101-0008	WHITE	HU149A	92180	MCCOR	416888!
9181LUP	JN-MN	3395!	9205LUP	JN-MN	415025	92101-5015	VOLWH	HU009A	92182	MCCOR	417355!
9181LUP	JN-MN	352444	92064	CHRYSS	472924!	9210120	COC	411394!	92182	MCCOR	485497
9182LPD	JN-MN	415995!	92065	CHRYSS	471466!	9210120X	COC	411394!	92185	MCCOR	6855N=
9182LUP	JN-MN	415995!	9206599	GMC	472016	921015C1	IH	472924!	92186	MCCOR	6864S
918405	AMC	415960	9206601	GMC	415137!	92101S	MCCOR	472157	92189	MCCOR	417210!
918405	WILYS	415960!	9206601	GMC	418028	92102	MCCOR	416888!	92189LPD	JN-MN	473473
918579C1	SOLAR	472397!	9206856	EUCLD	473243	92102-0001	WHITE	730149	9218LUP	JN-MN	473473
9186LUP	JN-MN	471647	9206856	GMC	473243	921030001	WHITE	B300	92190	MCCOR	455019!
91870273	SOLAR	471413!	9206858	EUCLD	417343!	92104	MCCOR	415263	92191	MCCOR	417354!
918702C1	SOLAR	471413!	9206858	GMC	417343!	92105	MCCOR	55353	92192	MCCOR	417493
9187258	GMC	415995!	9206860	GMC	8427=	92106	MCCOR	415394	92193	MCCOR	417495
918741	WILYS	470088	9207074	GMC	416102	92107	MCCOR	415437	9219362	EUCLD	416158
9187LPD	JN-MN	471619!	9207290	EUCLD	415035	92107207	COC	418028!	9219362	GMC	416158
9187LUP	JN-MN	471619!	9207290	GMC	415035	92107407	COC	200354	92194	MCCOR	327303!
9188401	GMC	416102	9207290	GMC	475845!	9210750	WHITE	472185!	92195	MCCOR	455858
9188402	GMC	8724S	920748X1	IH	415938	92107507	COC	472185!	92196	MCCOR	415379
9188LPD	JN-MN	415302*	92076	MCCOR	415036	9210950	WHITE	473215!	92197	MCCOR	415379
9188LUP	JN-MN	415302	92077	MCCOR	416891!	9210969	GMC	8724S	92198	MCCOR	415379!
9189LPD	JN-MN	472572!	9207726	GMC	415052	9211020	WHITE	416888!	92198	MCCOR	415379
9189LUP	JN-MN	472572!	9207727	GMC	8996S=	9211080	WHITE	471763	92199	MCCOR	45187S
919084C1	SOLAR	471619!	92078	MCCOR	417205!	9211347	GMC	415146!	9219LPD	JN-MN	471255!
91909	IH	470712!	9207835	EUCLD	417602!	9211347	GMC	415991	9219LUP	JN-MN	471255!
9190LPD	JN-MN	473240!*	9207835	GMC	417602!	92114	WHITE	473238	922	SUL	416153!
9190LUP	JN-MN	473240!	9207895	GMC	415938	9212	TMTR	40071S	92200	MCCOR	55646=
9190N	NATL	3604	92079	MCCOR	415035	9212013A	HARWA	92X120X13	92201	MCCOR	6592S=
919250	CHRYSS	3210	92081	MCCOR	415021	92122	MCCOR	415142	922034R91	IH	471271!
919277	CHRYSS	493291	92082	MCCOR	415025	92125	MCCOR	417210!	92204	MCCOR	455134

! Industrial Size/Type * Minor Width Difference

= The U.S. customer service number is 877-4-TIMKEN. The Canadian customer service numbers are 800-565-4927 (English) and 800-565-0438 (French-Canadian).

Mfr. No.	Name	Zero Duplication or Recommended Industrial	Mfr. No.	Name	Zero Duplication or Recommended Industrial	Mfr. No.	Name	Zero Duplication or Recommended Industrial	Mfr. No.	Name	Zero Duplication or Recommended Industrial
92205	AM WH	456105	92542	WHITE	472394	929332	ALLCH	472018=	93279	CHRY5	410308!
92205	MCCOR	455194	92550	C-R	415219	929462	ALLCH	204013	9327A	C-R	470334!
92206	MCCOR	2055	92551	C-R	415219*	9298	C-R	471571*	932887	ALLCH	442380
92208	MCCOR	370015A	9255535	TERX	416394	92999	C-R	470954!	932892	ALLCH	443527* =
92209	MCCOR	416891!	9256047	GMC	416100=	92TM6701A1A	FORD	473573	932976	ALLCH	473441
92210	MCCOR	415036	9256879	GMC	412871!	92TM6701A2A	FORD	473573	9330	C-R	471647
92211	MCCOR	7354N	92570	C-R	8996S=	92X120X13	SIMRT	92X120X13	933062	ALLCH	470898*
92214	MCCOR	412920	9257386	GMC	416257	92X120X13SC	TRSCM	92X120X13	9331	C-R	471647
922140	WILYS	254270	92574	C-R	8996S=	92X120X13TC	TRSCM	92X120X13	933118	ALLCH	473212!
92216	MCCOR	7300S	9261	C-R	471571*	92X213	GARLK	471267!	93333R91	IH	418028
92217	MCCOR	415379!	926162	CHRY5	471554!	92X6100	GARLK	471760	933349	ALLCH	417621!
92218	MCCOR	455037	92631	WHITE	416654!	92X6113	GARLK	1049	93336R91	IH	415991!
92219	MCCOR	417513	92648	WHITE	450467	92X6169	GARLK	471652	93336R91	IH	415991
92220	MCCOR	416888	9266274	GMC	710015	92X7518	GARLK	471766!	933645	ALLCH	470565!
92221	MCCOR	416888	926633	CHRY5	6597S	92X7521	GARLK	6668S	9339	C-R	471647
92222	MCCOR	7692S	9266772	GMC	710018	92X9502	GARLK	6863S!	9339LPD	JN-MN	471643!
92223	MCCOR	415035	926724	C-R	455406!	92X9509	GARLK	471264!	9339LUP	JN-MN	471643!
92224	MCCOR	327303!	926724M1	C-R	455406!	92X9515	GARLK	471267!	934	CALI	415036
92225	MCCOR	455197N	926741	CHRY5	471689!	92X9528	GARLK	6668S	934023TD0	SPG	934023
92225	WHITE	417487!	9267525	GMC	710042	92X9530	GARLK	472213	9342SS	JN-MN	415035
92225	WHITE	417487	9267529	GMC	710011	93020	GROVE	416891!	934356	WILYS	416738!
92226	MCCOR	335924N	92680	C-R	417600	9302BJR	SPG	473228	934356	WILYS	450096
92228	MCCOR	8549S	92680M1	C-R	417600	9303	C-R	471571	93435S	JN-MN	453182
922309	WOOL	455576!	92688	C-R	455475	9304	C-R	471571	93441	WHITE	476470
922409	CHRY5	470774!	9269316	GMC	710031	9304	C-R	471571	9345LPD	JN-MN	472397!
9224454	GMC	472397!	927283	ALLCH	417474	930428	ALLCH	476470	9345LUP	JN-MN	472397!
92245	WHITE	50528	927367	CHRY5	410308!	930428	ALLCH	476470!	9346	C-R	472951
922474R91	IH	410825	9273LPD	JN-MN	471737*	9304LUP	JN-MN	416239!	9346	C-R	474252
9228A	C-R	455151	9273LUP	JN-MN	471737	930569C1	IH	417278	9347	C-R	472951*
92298	CHRY5	412119	92742	WHITE	472924!	930570C1	IH	416039	9347	C-R	474252!
9234	ALLCH	471570!	9274473	GMC	417082	9305LPD	JN-MN	481397*	9348	C-R	472951
9234555	GMC	416107!	9276	C-R	471571*	9305LUP	JN-MN	481397	9348	C-R	474252
9235	C-R	340787	927645	WILYS	340413	9306	C-R	471647*	934E	CALI	416892!
9235168	EUCLD	415035!	9276A	C-R	472179	93068	WHITE	418028	934J	CALI	7354N
9235168	GMC	415035!	9276LPD	JN-MN	471705!	93068	WHITE	455137!	93506	AMC	240151
9235169	EUCLD	470530!	9276LUP	JN-MN	471705!	9307	C-R	471647	93515R91	IH	473238
9235169	GMC	470530!	92774	WHITE	415960	930836	ALLCH	450084!	93516R91	IH	470059
9235444	GMC	J1107	927888	ALLCH	473212!	930838	ALLCH	417278	93516R91	IH	470380!
9235446	GMC	J1128	927889	ALLCH	471763	93088	WHITE	418028	93517R91	IH	470530!
923561C1	IH	471341	927890	ALLCH	415023	93088	WHITE	455137!	93518	AMC	474278!
9237R	JN-MN	470954!	92794	WHITE	415960	93095	WHITE	417159	93518R91	IH	411253!
923896	WILYS	473229	927946	ALLCH	473016!	931030	ALLCH	471341!	9351LPD	JN-MN	417780
92390	WHITE	415001!	927947	ALLCH	471424!	93103001	ALLCH	471341!	9351LUP	JN-MN	417780
924	CALI	415219	927948	ALLCH	417349	931031	ALLCH	473423	9356	EATON	417344!
9240	CALI	415219	927965C1	IH	416888	93103101	ALLCH	473423	9356	TRUK	417344!
9240LPD	JN-MN	470954!	92805801	ALLCH	417247!	931041	ALLCH	481181!	935612	WILYS	8676S
9240LUP	JN-MN	470954!	928114	CHRY5	6127	9310S	MINNM	470530!	935735	EATON	712625
9241134	GMC	471652	928118	MICH	55224=	93113	REULD	474255	935797R91	IH	200885
924117	MICH	55223=	9281187	UNIVE	55224=	93115	REULD	471413!	935869R92	IH	472185!
9241175	UNIVE	55223=	928283	ALLCH	472826!	93117	REULD	471835!	9360LPD	JN-MN	417598*
9241256	EUCLD	415938	9283	C-R	471571*	93118	REULD	473224!	9360LUP	JN-MN	417598
9241256	GMC	415938	928436	ALLCH	415854	93123	REULD	471141!	9361LPD	JN-MN	416158
9243	C-R	340787	9284365	ALLCH	415854	931483	ALLCH	416282	9361LUP	JN-MN	416158
9243143	EUCLD	471341!	92846201	ALLCH	487056=	9314831	ALLCH	416282	9362	C-R	472951
9243143	GMC	471341!	928499	ALLCH	473211=	931484	ALLCH	416664!	9362	C-R	474252
9244	C-R	471015!	9286RRR	SPG	6808N	9315031	ALLCH	472065=	93625	SELAS	4148
924432	CHRY5	480630!	928704	CHRY5	415449!	931504	ALLCH	472324!	9363	C-R	472951
9244604	EUCLD	416798=	928813	ALLCH	481901=	9316171	ALLCH	471835!	9363	C-R	474252
9244604	GMC	416798=	928831	ALLCH	415150!	931634	AMC	471504	9363LPD	JN-MN	470606!
924635	CHRY5	5M544	928854	ALLCH	470774!	931856	ALLCH	417316=	9363LUP	JN-MN	470606!
925	CALI	416154!	928855	ALLCH	415458!	9318A	C-R	417267	9368LPD	JN-MN	417351!
9250	CALI	416154!	92894	CATER	J1123	9319LPD	JN-MN	416271!	9368LUP	JN-MN	417351!
9251463	GMC	40389S	92894	TMTR	J1123	9319LUP	JN-MN	416271!	9371	C-R	472951
925172R91	IH	370007A	92895	CATER	412473!	93203	AM WH	416654!	9371	C-R	474252
925173R91	IH	370007A	92895	TMTR	412473!	93229	WHITE	455151	9372	C-R	472951
925180	WILYS	8430S	928M6700B2A	FORD	3771	9323	C-R	471647*	9372	C-R	474252
92535	C-R	415219	928M6701B2A	FORD	3772	93233	CINMI	471689!	9374LPD	JN-MN	417073*
92536	C-R	415219*	9290	C-R	471571	93234	CINMI	471570!	9374LUP	JN-MN	417073
92540	C-R	415219	9290LPD	JN-MN	415327	93235	CINMI	471192	93750	C-R	415871
92541	C-R	415219	9291	C-R	471571	93236	CINMI	471766!	93751	C-R	415871*
92541	CHRY5	470954	929230	ALLCH	450463	932407	WILYS	410308!	93756	C-R	415871
92542	C-R	415219	9292LPD	JN-MN	416657	932503	ALLCH	335924N	9377	CHAMP	341022

! Industrial Size/Type * Minor Width Difference

= The U.S. customer service number is 877-4-TIMKEN. The Canadian customer service numbers are 800-565-4927 (English) and 800-565-0438 (French-Canadian).

NUMERICAL INTERCHANGE

Zero Duplication or Recommended Industrial		Zero Duplication or Recommended Industrial		Zero Duplication or Recommended Industrial		Zero Duplication or Recommended Industrial					
Mfr. No.	Name	Mfr. No.	Name	Mfr. No.	Name	Mfr. No.	Name				
93801	CATER	J1137 =	9400LPD	JN-MN	417273 *	94111750	GMC	228480	94397	AM WH	471255 !
938031	AMC	482267	9400LUP	JN-MN	417273	9411750	GMC	228480	94399R91	IH	415085 !
938031	WILYS	482267	9401LPD	JN-MN	417780 *	94124173	GMC	223220	94399R91	IH	456648
938151	AMC	8430S	9401LUP	JN-MN	417780	94129884	GMC	228700	94400	UNIT	456105
938151	AMGEN	8430S	94020129	GMC	474133	941322	CLARK	40067S =	94401	UNIT	415035
938151	WILYS	8430S	94020130	GMC	1987	94140686	GMC	710078	94401	UNIT	415035 !
93823	CATER	471737	94020131	GMC	1990	94144455	GMC	221735	944015	UNIT	472636 !
93823	TMTR	471737	94020258	GMC	1949	94144614	GMC	1174	94402	UNIT	472157 !
93824	CATER	416557	94020262	GMC	225020	94144614	GMC	38X52X8.5 !	94402	UNIT	472157
9387	C-R	472951	94020262	GMC	50X68X8 !	94145906	GMC	710243	944024	UNIT	471466 !
9387	C-R	474252	94021237	GMC	473812	94146205	GMC	1012N	944026	UNIT	471570 !
938728	C-R	455121	94021238	GMC	473179 !	9415C	DIA	470565 !	944027	UNIT	415001 !
938728M1	C-R	455121	94022595	GMC	1945	9415LPD	JN-MN	471267 !	944028	UNIT	450639
938963C1	IH	417254	94022595	GMC	228480	9415LUP	JN-MN	471267 !	944029	UNIT	415295
938964C1	IH	415551	94024633	GMC	1990	941664	WILYS	471652	94403	UNIT	450279
93921	CATER	473237 !	94025810	GMC	710440	941664	WILYS	482208 !	944030	UNIT	415483 !
93921	TMTR	473237 !	94026324	GMC	1945	9418LPD	JN-MN	415425	944031	UNIT	415960 !
939334	WILYS	410308 !	94026324	GMC	228480	941907R1	IH	6403 =	944033	UNIT	470898 !
939335	WILYS	410308 !	94027655	GMC	710201	94214912	GMC	224025	944035	UNIT	471649 !
9394LPD	JN-MN	471835 !	94027655	GMC	710057	94214913	GMC	710060	944037	UNIT	476470
9394LUP	JN-MN	471835 !	94027751	GMC	413818	94215220	GMC	1981	944038	UNIT	415449 !
939558C91	IH	415938	94028351	GMC	224045	94216107	GMC	1174	94403D	UNIT	415483 !
939570	NOK	112X140X13	94029129	GMC	710167	94216107	GMC	710309	94404	UNIT	471349
9395LPD	JN-MN	473236 ! *	94029584	GMC	222860	9421LPD	JN-MN	450398	944041	UNIT	416891 !
9395LUP	JN-MN	473236 !	9402LPD	JN-MN	415034 !	9421LPD	JN-MN	471267 !	944044	UNIT	455194
9396LPD	JN-MN	473462	9402LUP	JN-MN	415034 !	9421LUP	JN-MN	450398	94405	UNIT	472319
9396LUP	JN-MN	473462	94030585	GMC	712005	9421LUP	JN-MN	471267 !	944050	UNIT	415991
939734	AMC	416738 !	94034121	GMC	710087	9422	FULLE	417316 !	944050	UNIT	455146 !
939734	AMC	450096	94034122	GMC	710085	94223026	GMC	1987	944051	UNIT	415995 !
939734	WILYS	416738 !	94034131	GMC	710088	94224713	GMC	1949	944052	UNIT	415023
939734	WILYS	450096	94039516	GMC	710086	9422LPD	JN-MN	415991	944059	UNIT	415645 !
9397LPD	JN-MN	450472 ! *	94043754	GMC	710080	9422LPD	JN-MN	455146 !	944059	UNIT	455104
9397LUP	JN-MN	450472 !	94047451	GMC	710090	9422LUP	JN-MN	415991	94406	UNIT	473215 !
9398LPD	JN-MN	473243 *	94047499	GMC	710084	9422LUP	JN-MN	455146 !	944060	UNIT	417539 !
9398LUP	JN-MN	473243	94049996	GMC	710089	94238096	GMC	470380 !	944061	UNIT	415294 !
9399A	C-R	417621 =	94051420	GMC	3476	94238096	GMC	472189A !	944064	UNIT	415551
9399LPD	JN-MN	417349	94054640	GMC	710090	9423LPD	JN-MN	471795	94407	UNIT	415034 !
9399LUP	JN-MN	417349	940555	AMC	472560N	9423LUP	JN-MN	471795	944070	UNIT	450400
93FF-6700-AA	FORD	712103	94055826	GMC	710350	94240603	GMC	710167	94407711	GMC	710168
93X214	GARLK	471267 !	94057307	GMC	710084	94240929	GMC	222220	944078	UNIT	455203
93X6113	GARLK	1049	94057308	GMC	710089	94248117	GMC	474230	94408	UNIT	473439 !
93X6169	GARLK	471652	94061761	GMC	710088	94249521	GMC	222835	944080	UNIT	417539 !
93X6171	GARLK	471692 !	94068R91	IH	340413	94249521	GMC	28X44X6 !	94408083	GMC	710268
93X8887	GARLK	471413 !	94069R91	IH	340787	94251171	GMC	1217	944081	UNIT	417603 !
93ZT-3K169-A9A	FORD	710443	94070R91	IH	472311 !	94253509	GMC	3667	944084	UNIT	470898
93ZT-3K169-A9B	FORD	710443	94071R91	IH	240151	94257	CHRYSLERS	9376	94409	UNIT	417514
94001-0014	WHITE	370001A	94072R91	IH	240356	94258894	GMC	710377	9441	FULLE	450084 !
94001-0015	WHITE	370006A	94073R91	IH	323138 !	9425SS	JN-MN	416892 ! *	944102	UNIT	470954 !
94001-0016	WHITE	386025A	94074R91	IH	474276 !	942635	CLARK	471526 !	94411	UNIT	417601
94001-0016	WHITE	416158	94075R91	IH	450400	94267	CHRYSLERS	7188S	944112	UNIT	450965
94001-0017	WHITE	370023A	94076R91	IH	340413	9427S	SPG	6592S =	944116	UNIT	416865 !
94001-0029	WHITE	370001A	94076R92	IH	340413	9428	FULLE	417316 !	94412	UNIT	416888 !
94001-0030	WHITE	370003A	94077R91	IH	340787	942901	AMC	9344S	944125	UNIT	417541
94001-0032	WHITE	386025A	94078R91	IH	240414	942901	WILYS	9344S	944128	UNIT	200110
94001-0032	WHITE	416158	94079R91	IH	472560N	94294413	BUC-E	416167 !	94413	UNIT	416339
94001-0034	WHITE	370003A	9408	C-R	450039	94326441	GMC	1990	94413	UNIT	455031 !
94001-0038	WHITE	370048A	94080R91	IH	240356	94327062	GMC	1981	944130	UNIT	471791
94001-0038	WHITE	380048A	94081R91	IH	6597S	94327063	GMC	228700	944130	UNIT	455165 !
940010003	WHITE	370121A	94082R91	IH	474276 !	94334860	GMC	223220	944131	UNIT	455194
940010004	WHITE	370001A	94083R91	IH	450400	94336316	GMC	710080	94414	UNIT	417602 !
940010006	WHITE	386025A	9409	C-R	450039 *	94339	CHRYSLERS	353135	94443	CHRYSLERS	471827
940010006	WHITE	416158	94099457	GMC	710085	94339	CHRYSLERS	474278 !	94450127	GMC	1012N
940010007	WHITE	370120A	9409LPD	JN-MN	413247 !	943661	AMC	475384	94459593	GMC	710098
940010010	WHITE	370001A	9409LUP	JN-MN	413247 !	94367958	GMC	710080	9445LPD	JN-MN	471821 !
940010011	WHITE	370006A	94101493	GMC	710081	94367960	GMC	710081	9445LUP	JN-MN	471821 !
940010013	WHITE	370006A	94108633	GMC	710098	943710	AMC	416282	9445S	SPG	9449
940010019	WHITE	370003A	94108663	GMC	225010	943710	WILYS	416282	94464555	GMC	710192
940010022	WHITE	370003A	9410LPD	JN-MN	415027 !	94373765	GMC	710390	94475250	GMC	1953
940010028	WHITE	370003A	9410LPD	JN-MN	415027	94379067	GMC	222835	94482157	GMC	224052
94001006	WHITE	386025A	9410LUP	JN-MN	415027 !	94380745	GMC	221620	94495	C-R	240X270X15 !
94001006	WHITE	416158	9410LUP	JN-MN	415027	94380745	GMC	221720	94495	C-R	240X270X16 !
940013602	WHITE	370005A	9411	C-R	222430	94383	AM WH	472636 !	9450	C-R	450039

! Industrial Size/Type * Minor Width Difference

= The U.S. customer service number is 877-4-TIMKEN. The Canadian customer service numbers are 800-565-4927 (English) and 800-565-0438 (French-Canadian).

Mfr. No.	Name	Zero Duplication or Recommended Industrial	Mfr. No.	Name	Zero Duplication or Recommended Industrial	Mfr. No.	Name	Zero Duplication or Recommended Industrial	Mfr. No.	Name	Zero Duplication or Recommended Industrial
9450	FULLE	412119!	94X359	GARLK	471763	95064	MCCOR	415043	9523LUP	JN-MN	415021
9452	LPD JN-MN	412871!	94X4600	GARLK	474256	95065	MCCOR	55367=	952742	WAUKE	471787!
9454	LPD JN-MN	473225!	94X5051	GARLK	471276	95066	MCCOR	455614	95294413	BUC-E	415001!
9454	LUP JN-MN	473225!	94X6176	GARLK	473259	95068	MCCOR	417541	9530	C-R	24X42X8
945702	AMC	40769S	94X6282	GARLK	476511=	95069	MCCOR	416070	953019R1	IH	470380!
945710	AMC	9316	94X6329	GARLK	476519=	95070	MCCOR	415371	953024	CLARK	470898!
9460	LPD JN-MN	471692!	94X6486	GARLK	476510=	95070	SPG	416865!	953029	CLARK	471785!
9460	LUP JN-MN	471692!	94X6557	GARLK	471379	95071	MCCOR	415284	953030	CLARK	471354!
9464A	C-R	471255!	94X6639	GARLK	473197	95075	MCCOR	415284	953032	CLARK	450165
94658170	GMC	710237	94X6738	GARLK	472239	95076	MCCOR	455251H	953032	CLARK	471801!
9465A	C-R	471255!	94X7033	GARLK	470954!	95076S	MCCOR	455251H	953035	CLARK	471341!
94660	C-R	710800	94X7198	GARLK	472237=	95077	MCCOR	417518	953038	CLARK	415001!
947RC	SUL	471649!	94X760	GARLK	473231!	95079	MCCOR	416158	953039	CLARK	473225!
94804	CHRYL	7412S	94X8005	GARLK	476512	95080	C-R	417601	953040	CLARK	473438
9483	LPD JN-MN	473228!	94X89	GARLK	471264!	95080	MCCOR	415725!	953043	CLARK	450084!
9483	LUP JN-MN	473228	94X96	GARLK	471612	95080M1	C-R	417601	953044	CLARK	473460
94840006	GMC	1987	9500	C-R	222410	95081	C-R	9555S	953045	CLARK	415302
94840023	GMC	227045	9500	C-R	24X35X7!	95081	MCCOR	416163	953046	CLARK	416921!
94840076	GMC	223235	95003	MCCOR	417278	95082	MCCOR	6635S	953047	CLARK	417539!
94840381	GMC	1180	95005	MCCOR	417537	95084	MCCOR	6643S	953048	CLARK	415551
94840381	GMC	41X55X7!	95006	MCCOR	415041	95086	MCCOR	417252	953053	CLARK	470050
94840436	GMC	710156	95006	SPG	417344!	95087	MCCOR	75251S	95307	AM WH	415449!
94840471	GMC	710154	95011	MCCOR	370036A	95089	MCCOR	415060	9530LPD	JN-MN	415725!
94840476	GMC	710155	95012	MCCOR	417516	95089	MCCOR	455060	9530LUP	JN-MN	415725!
94840505	GMC	221510	95013	MCCOR	417223	9508A	C-R	7208S	9533	C-R	24X42X7
94840623	GMC	320603	95019	MCCOR	415351!	95090	MCCOR	417548	95357	EATON	370023A
94840624	GMC	710110	9502	C-R	24X36X7V	95091	MCCOR	415064	9537	FULLE	240733
94840652	GMC	223831	95022	MCCOR	5M544	95094	MCCOR	416892	9540	C-R	24X45X8
94840654	GMC	5696	95023	MCCOR	416865!	95094	SPG	416444	95401	SPG	416666
94840770	GMC	1015N	95024	MCCOR	417514	95095	MCCOR	6872S	954014TX	SPG	954014T
94840869	GMC	221207	95025	MCCOR	415045!	95096	MCCOR	417254	9541LPD	JN-MN	455151
94841023	GMC	710110	95026	MCCOR	416892!	95098	MCCOR	417509	9541LUP	JN-MN	455151
94841823	GMC	320603	95028	MCCOR	415138!	95099	MCCOR	455290	9541RRR	SPG	7457N
94843040	GM	422	95029	MCCOR	415058	95100	AM WH	471652	954216TD	SPG	954216T
94843981	GMC	1180	95030	MCCOR	417238	95102	MCCOR	415284	9542LPD	JN-MN	455022*
94843981	GMC	41X55X7!	95031	MCCOR	415060	95103	MCCOR	370005A	9542LUP	JN-MN	455022
94845317	GMC	1180	95031	MCCOR	455060	95104	MCCOR	455956H	9543LPD	JN-MN	416654!
94846026	GMC	710110	95032	MCCOR	415066	95105	MCCOR	5487	9543LUP	JN-MN	416654!
94846072	GMC	710109	95033	MCCOR	456890	95106	MCCOR	355200	9545LPD	JN-MN	417238
94846345	GMC	4898	95034	MCCOR	417269!	95106	MCCOR	416888!	9545LUP	JN-MN	417238
94847440	GMC	5696	95035	MCCOR	417273	95107	MCCOR	416865	954631	SPICE	417356!
94847441	GMC	1993	95036	MCCOR	416865!	9510LPD	JN-MN	415034!	954631	SPICE	455188
94850395	GMC	223235	95037	MCCOR	417546!	9510LUP	JN-MN	415034!	9546LPD	JN-MN	470565!*
94850807	GMC	1987	95038	MCCOR	416167!	95111	MCCOR	417520	9546LUP	JN-MN	470565!
94851798	GMC	227045	95039	MCCOR	415645!	9511513B	HARWA	95X115X12	9547LPD	JN-MN	476470
94851892	GMC	710109	95039	MCCOR	455104	95118	MCCOR	7866S	9547LUP	JN-MN	476470
94851936	GMC	5696	9503SS	JN-MN	471535!*	9511LPD	JN-MN	472475*	9548LPD	JN-MN	417362!
94851937	GMC	4898	9504	C-R	24X37X8	9511LUP	JN-MN	472475	9548LUP	JN-MN	417362!
94852835	GMC	222630	95040	MCCOR	416154!	9512512B	HARWA	95X125X12	9550	C-R	24X46X8
94854705	GM	35292	95041	MCCOR	417539!	9512512C	HARWA	95X125X12	9550LPD	JN-MN	472439*
94854723	GMC	710412	95042	MCCOR	416153!	9512513B	HARWA	95X125X12	9550LUP	JN-MN	472439
94856492	GMC	5696	95043	MCCOR	417538	951292	CLARK	473473	955497R91	IH	455079!
948609	AMC	416738!	95045	MCCOR	415371	951296	WILYS	340771	955498R91	IH	473463
948609	WILYS	416738!	95045S	MCCOR	415371	9512LPD	JN-MN	455026*	95557R91	IH	470565!
9488	LPD JN-MN	416921!	95046	MCCOR	415284	9512LUP	JN-MN	455026	9556SSR	SPG	473234
9488	LUP JN-MN	416921!	95047	MCCOR	455402=	9514	C-R	222430	955776R1	IH	450400
9495C	DIA	410737!	95048	MCCOR	417262!	95147	SPG	415449!	9558	C-R	24X47X7
9495CX	DIA	410737!	9505	C-R	24X38X7	9514LPD	JN-MN	415683	9558LPD	JN-MN	471763
94RU-1123	MACK	730149	95050	C-R	417606	9514LUP	JN-MN	415683	9558LUP	JN-MN	471763
94RU-19309	MACK	730004	95052	MCCOR	5M497	9515	C-R	222430	955A4	WHITE	408
94RU-262	MACK	730003	95052	OLIVE	471649!	9515	C-R	24X40X7!	9560	C-R	24X47X7
94RU-263	MACK	733067	95054	MCCOR	415047	9516	NATL	8705S	95612	CHRYL	410308!
94RU-263P1	MACK	733067	95056	MCCOR	417267	951644	BR-ST	471649!	95612	CHRYL	473468
94RU-263P2	MACK	730149	95057	MCCOR	45637S	9517	C-R	24X40X6V	9565	HYST	415027!
94RU-264	MACK	730006	95059N	MCCOR	415213N	95177	SPG	415379	9565	HYST	415027
94RU-265	MACK	730005	95060	C-R	417606*	9520LPD	JN-MN	471760*	956666	CHRYL	410102
94RU-266	MACK	730019	95060	MCCOR	417525	9520LUP	JN-MN	471760	9569LPD	JN-MN	471466!
94RU-267	MACK	730006	95061	MCCOR	417247!	9521	C-R	222430	9569LUP	JN-MN	471466!
94RU-278	MACK	730026	95062	C-R	417606	95216	WHITE	417487	9570	C-R	24X48X8
94TM-6701-A1A	FORD	473573	95062	MCCOR	417507!	95223	OLIVE	345214=	957160TD0	SPG	39821
94X215	GARLK	471570!	95062	MCCOR	417507	95226	CHRYL	471341!	9575	C-R	24X50X8
94X287	GARLK	471224!	95063	MCCOR	456618	9523LPD	JN-MN	415021	957522R91	IH	412027

! Industrial Size/Type * Minor Width Difference

= The U.S. customer service number is 877-4-TIMKEN. The Canadian customer service numbers are 800-565-4927 (English) and 800-565-0438 (French-Canadian).

NUMERICAL INTERCHANGE

Mfr. No.	Name	Zero Duplication or Recommended Industrial	Mfr. No.	Name	Zero Duplication or Recommended Industrial	Mfr. No.	Name	Zero Duplication or Recommended Industrial	Mfr. No.	Name	Zero Duplication or Recommended Industrial
9577A	C-R	415187	96059653	GMC	223540	9653LUP	JN-MN	472924!	97008	MCCOR	415072
957905	CHRY5	417351!	96059934	GMC	4904	9654LPD	JN-MN	416476!	97009	CHRY5	410059
957E1190A	FORD	7381S	96061234	GMC	710523	9654LUP	JN-MN	416476!	97009	CHRY5	470380!
957E4233A	FORD	472492!	96061932	GMC	223552	9656	C-R	471648	97009	MCCOR	416107!
957E4250A	FORD	470898	96063564	GMC	221730	96569	CHRY5	7300S	97009	MCCOR	455073
9580	C-R	24X52X7	96065634	GMC	710334	965744	CHRY5	471689!	9701	C-R	222535
9581	HYST	473444!	96066239	GMC	221730	9661	C-R	471648	97010	MCCOR	416239!
9581156TA	TRSCM	417606	96066441	GMC	223552	9661LPD	JN-MN	416865!	97011	MCCOR	417556
95823R91	IH	470898	96066450	GMC	1213N	9661LUP	JN-MN	416865!	97012	MCCOR	417563
95827	CHRY5	482163!	96066451	GMC	710286	966238M1	MASSE	8020S	97013	MCCOR	417298
95836	SPG	415995!	9606816980	CHRY5	224253	9662LPD	JN-MN	416339	97014	MCCOR	415116
95836	SPG	415995!	96068274	GMC	710310	9662LPD	JN-MN	455031!	97015	MCCOR	415551
9584	NATL	370047A	96069122	GMC	4904	9662LUP	JN-MN	416339	97016	MCCOR	455297
9587LPD	JN-MN	416125!	9608	CLARK	415458!	9662LUP	JN-MN	455031!	97017	MCCOR	55316=
9587LUP	JN-MN	416125!	96101489	GMC	710399	9663	C-R	8059S	97017350	GMC	1990
958A4	WHITE	408	96101490	GMC	223606	9663LPD	JN-MN	417509*	97019	MCCOR	455375=
9590LPD	JN-MN	415060	96101490M	GMC	710399	9663LUP	JN-MN	417509	97020	MCCOR	415447
9590LPD	JN-MN	455060	9611	C-R	481572V=	9664	C-R	8059S	97023976	GMC	710081
9590LUP	JN-MN	415060	961125	BENDI	455310	966446R91	IH	415458	97023977	GMC	710080
9590LUP	JN-MN	455060	9613	C-R	451583!	9664LPD	JN-MN	416154!	97024	MCCOR	415072
9591LPD	JN-MN	455612=	9613SKO	SPG	9613S	9664LUP	JN-MN	416154!	97025	MCCOR	457874
9591LUP	JN-MN	455612=	9618	C-R	451583!*	9666	C-R	471688*	97025798	GMC	710194
959308R1	IH	6590S	9619	C-R	451583!*	9667	C-R	471688	97026	MCCOR	417600
959308R91	IH	6590S	962061	CHRY5	416273!	96688	CHRY5	471271!	97027	MCCOR	417601
9596LPD	JN-MN	473241	9622	C-R	6324S=	9670	C-R	471688*	97028	MCCOR	415090
9598	FULLE	474276!	962228	CHRY5	473464	96713	WHITE	473228	97029	MCCOR	415124
95X110X10SC	TRSCM	95X110X10	962228	CHRY5	473464!	96719	WHITE	5MR71	97029260	GMC	3543
95X110X10TC	TRSCM	95X110X10	962229	CHRY5	480281!	967228R91	IH	415995!	9702C	DIA	473203
95X115X12	SIMRT	95X115X12	96245	C-R	55222=	96733	CHRY5	470380!	9703	C-R	25X40X7V
95X115X12SC	TRSCM	95X115X12	96246HX	IH	7107A=	9674	C-R	471688	97031	MCCOR	417020
95X115X12TC	TRSCM	95X115X12	962475	CHRY5	471645	9675	C-R	471688	97031954	GMC	710114
95X120X12SC	TRSCM	95X120X12	9625	C-R	451583!	9675S	SPG	332062	97035	MCCOR	6245S=
95X120X12TC	TRSCM	95X120X12	96250	C-R	55222=	967610R91	IH	415449	97036	MCCOR	416394
95X125X12	SIMRT	95X125X12	96251	C-R	55222=	96783	WHITE	471689!	97037	MCCOR	415938
95X125X12SC	TRSCM	95X125X12	9625LPD	JN-MN	471652	9679	C-R	471689	97038	MCCOR	55532=
95X125X12TC	TRSCM	95X125X12	9625LUP	JN-MN	471652	9680	C-R	450040	97039	MCCOR	455584
95X130X12SC	TRSCM	95X130X12!	9626LPD	JN-MN	472144!	9681	C-R	450040*	97040	MCCOR	417555!
95X130X12TC	TRSCM	95X130X12!	9626LUP	JN-MN	472144!	968190-R1	IH	730003	97041	MCCOR	416239!
9600LPD	JN-MN	417273*	96290	C-R	416381	968191-R92	IH	HU036A	97042	MCCOR	417602!
9600LUP	JN-MN	417273	962919A	SPG	415001	9682	C-R	482309	97045	MCCOR	417602!
96014416	GMC	3459	96294413	BUC-E	415047	96823R91	IH	470898	97048	MCCOR	6649
96014877	GMC	223540	9629LPD	JN-MN	415725!*	9683	C-R	450040	97049	MCCOR	455583N!
96040460	GMC	223540	9629LUP	JN-MN	415725!	9686LPD	JN-MN	412920!	9705	C-R	222510
96040528	GMC	8792S	963	PORTR	415090	9686LUP	JN-MN	412920!	9705	C-R	25X35X7!
96040762	GMC	710343	9630	C-R	471224	9687	C-R	451082	97050	MCCOR	455121
960414R91	IH	6222	9630LPD	JN-MN	481834	9688	C-R	482310	97051	MCCOR	417596
96051409	GMC	222030	9634LPD	JN-MN	471466!	9688LPD	JN-MN	470625!	97051954	GMC	710114
96051418	GMC	221510	9634LUP	JN-MN	471466!	9688LUP	JN-MN	470625!	97053	MCCOR	455117
96051419	GMC	222030	9635	C-R	471224	968908R91	IH	415984!	97054	MCCOR	417604
96051420	GMC	710310	96350161	GMC	223606	968939R91	IH	473229	97055	MCCOR	415871
96051421	GMC	710310	9636LUP	JN-MN	473232!	9690	C-R	450339	97057	MCCOR	416364!
96051422	GMC	35X62X7!	964030R91	IH	203025	969022	TRW	5690	97058	MCCOR	415077
96051423	GMC	224462	964144TC	SPG	471689	9694SS	JN-MN	473238!	97059	MCCOR	417549!
96051423	GMC	44X62X8!	9643	C-R	450545*	9695	C-R	222510*	9705LPD	JN-MN	417223
96051424	GMC	710334	9643	GARLK	340835	9698	CHAMP	471689!	9705LUP	JN-MN	417223
96053884	GMC	223830	9643LPD	JN-MN	480630!	9698	DOMIN	471689!	9706	C-R	25X35X7V!
96054039	GMC	223540	9643LUP	JN-MN	480630!	96BM-6700-A6B	FORD	712141	9706	C-R	712007
96054039	GMC	35X55X11!	964461M1	CHRY5	450343	96BM-6701-A6B	FORD	712142	97060	MCCOR	455480!
9605414	GMC	710116	9645	C-R	471648*	96GX212	JOY	415034!	97061	MCCOR	55692=
96054141	GMC	221207	9646	C-R	471648	96X7033	GARLK	470954!	97062	MCCOR	6897=
96054427	GMC	224462	964871M1	CHRY5	472185!	97-294413	BUC-E	415001!	97063	MCCOR	7006S
96055290	GMC	710175	964874M1	CHRY5	471766!	97-463-39	DANA	415035	97064	MCCOR	415867
96057738	GMC	224820	9649LPD	JN-MN	415142	9700	C-R	712018	97065	MCCOR	455583N!
96057740	GMC	223553	9649LUP	JN-MN	415142	97000	MCCOR	416476!	97066	MCCOR	417597
96057741	GMC	710523	9650LPD	JN-MN	471785!	97001	CHRY5	410059	97067	MCCOR	8996S=
96057742	GMC	1213N	9650LUP	JN-MN	471785!	97001	CHRY5	470380!	97069	HYST	413246
96057743	GMC	710239	9651	C-R	471648*	97001	MCCOR	416229	97072405	GMC	3543
96057745	GMC	710193	9651LUP	JN-MN	470954!	97002	MCCOR	416229	9707LPD	JN-MN	455356
96057746	GMC	710256	9652LPD	JN-MN	470530!	97003	MCCOR	416666	9707LUP	JN-MN	455356
96057747	GMC	710240	9652LUP	JN-MN	470530!	97006	MCCOR	5M466	9708	C-R	222510
96057748	GMC	710255	965326	CHRY5	471647	97007	MCCOR	476470	9708	C-R	25X35X7!
96059641	GMC	222580	9653LPD	JN-MN	472924!	97007S	MCCOR	476470	9709	C-R	222510

! Industrial Size/Type *Minor Width Difference

= The U.S. customer service number is 877-4-TIMKEN. The Canadian customer service numbers are 800-565-4927 (English) and 800-565-0438 (French-Canadian).

Mfr. No.	Name	Zero Duplication or Recommended Industrial	Mfr. No.	Name	Zero Duplication or Recommended Industrial	Mfr. No.	Name	Zero Duplication or Recommended Industrial	Mfr. No.	Name	Zero Duplication or Recommended Industrial
9709	C-R	712007	9735	C-R	25X45X8	97540	C-R	55239=	9797	LPD JN-MN	417269!
9710	C-R	25X36X7	9736	C-R	25X42X10	97540	MCCOR	5495	9797	LUP JN-MN	417269!
971086R91	IH	8635S	9736	LPD JN-MN	471424!	97541	MCCOR	5472=	9799	LPD JN-MN	471504!
9710LPD	JN-MN	470334!*	9736	LUP JN-MN	471424!	97542	MCCOR	5499=	9799	LUP JN-MN	471504!
9710LUP	JN-MN	470334!	97370	BENDI	471255!	97543	C-R	55078S	97GK	179 JOY	417485
9711	C-R	25X35X7V	97371	BENDI	471442!	97544	MCCOR	370003A	97GK	29 JOY	415645!
9711H	MINNM	470712	9738	C-R	25X42X6	97545	C-R	55078S*	97GK	29 JOY	455104
9712	C-R	25X42X10!	9739	C-R	25X45X8	97546	MCCOR	417506	97GK	32 JOY	473313
9714	C-R	25X37X7*	9740	C-R	25X46X7	97547	C-R	55223=	97GK	33 JOY	415007
9714LPD	JN-MN	350974!	9742	C-R	25X42X8	97547	MCCOR	5320=	97GK	4 JOY	416666
9715	C-R	320603	97423	CHRY5	481181!	9755	C-R	25X50X10*	97GT	7052AA FORD	2655
9715LPD	JN-MN	415259!	9742A	C-R	415305!	9755	C-R	25X50X8!	97GX	1 JOY	417563
9715LUP	JN-MN	415259!	9742A	C-R	415035	97550	C-R	55223=	97GX	10 JOY	415058
9716	C-R	25X37X5V	9743	LPD JN-MN	471231!	9755A	C-R	417316!	97GX	100 JOY	471736
9717	C-R	712007	9743	LUP JN-MN	471231!	9756	C-R	25X50X10	97GX	101 JOY	471750!
9717	EATON	350942	97448	CHRY5	9376	9758	C-R	25X52X7	97GX	102 JOY	471192
9717	FULLE	350942	97449	CHRY5	9487	9760	C-R	25X52X7!	97GX	103 JOY	473214
9718	C-R	25X37X7!	9744	LPD JN-MN	451583!	9761	C-R	25X52X7V	97GX	104 JOY	473214
9718	C-R	320603	9744	LUP JN-MN	451583!	9762	C-R	25X52X10	97GX	105 JOY	470950!
9719A	C-R	450415	9745	C-R	25X47X7	9762	LPD JN-MN	455178=	97GX	105 JOY	6241S
9720	C-R	222535	9745	26R91 IH	5471	9762	LUP JN-MN	455178=	97GX	106 JOY	471820
9720	C-R	25X38X7!	9746	1R91 IH	417316!	9763	C-R	25X52X7	97GX	107 JOY	470625!
9721	C-R	25X38X7V	9746	31 SPICE	472015!	9764	C-R	25X52X8	97GX	108 JOY	470625!
9722A	C-R	476470	9746	32 SPICE	472015	9764A	C-R	416125!	97GX	109 JOY	470059
9722H	MINNM	455189	9746	326 SPICE	415995!	9764	LPD JN-MN	417211!*	97GX	109 JOY	470380!
9723	C-R	222535	9746	332 SPICE	472015	9764	LUP JN-MN	417211!	97GX	111 JOY	417487
972401R91	IH	370023A	9746	333 SPICE	3893V!	9765	C-R	25X54X8	97GX	110 JOY	470059
972408R91	IH	412473!	9746	333 SPICE	415379!	9766	C-R	25X50X10	97GX	110 JOY	470380!
972424R91	IH	417487!	9747	C-R	222560	9767	C-R	25X45X8	97GX	111 JOY	471821!
972424R91	IH	417487	9747	C-R	25X47X7!	9770	C-R	25X55X8	97GX	112 JOY	473229
9725	C-R	222540	97474	CHRY5	472258!	9772056	GMC	7412S	97GX	113 JOY	473229
9725	C-R	25X40X7!	97474	NPG	472258!	9772826	GMC	5073	97GX	114 JOY	470682
9727	C-R	222540	9748	C-R	222560	9772831	GMC	5095	97GX	115 JOY	473444
9727	C-R	25X40X7V!	9748	C-R	25X47X7!	97737	HA IH	5MR1008	97GX	116 JOY	473236!
9728	C-R	25X42X6*	9749	LPD JN-MN	55692=	9775	C-R	25X56X8	97GX	117 JOY	474265
9728	C-R	25X42X8!	9749	LUP JN-MN	55692=	9775	113 GMC	8594S	97GX	118 JOY	450068
97281	HYST	450593!	9750	C-R	25X48X8	9775	114 GMC	8594S	97GX	119 JOY	471504!
9729	C-R	222556	97501	MCCOR	5401	9775	115 GMC	8594S	97GX	120 JOY	456105
9729	C-R	25X42X7V!	97503	MCCOR	5403	9776620	GMC	410059	97GX	120 JOY	472179
9729LPD	JN-MN	415379!	97505	MCCOR	5405	9776620	GMC	470380!	97GX	121 JOY	472179
9729LPD	JN-MN	415379	97506	MCCOR	5406	9776624	GMC	7412S	97GX	122 JOY	470334!
9729LUP	JN-MN	415379	97508	MCCOR	5408	9778371	GMC	8940S	97GX	123 JOY	473458!
9729LUP	JN-MN	415379!	9750A	C-R	471192	9778372	GMC	8940S	97GX	124 JOY	473239
972E-13	CLARK	472924!	9750	LPD JN-MN	417480!	9780	C-R	25X58X8	97GX	125 JOY	471868
972E-14	CLARK	415458!	9750	LUP JN-MN	417480!	978016	HYST	473459	97GX	126 JOY	472439
972E-16	CLARK	470530!	9751	C-R	25X48X8	9781063	GMC	471413!	97GX	127 JOY	472572!
972E-19	CLARK	40627S=	97510	MCCOR	5410	9782153	GMC	7399S!	97GX	128 JOY	455117
972E-21	CLARK	473464!	97513	MCCOR	5452	9782209	GMC	480844	97GX	13 JOY	415035
972E-21	CLARK	473464	975130	C-R	55239=	9782288	GMC	7399S!	97GX	13 JOY	415035!
972E-22	CLARK	472439	97514	MCCOR	5453	9784286	GMC	2043	97GX	130 JOY	473462
972E-23	CLARK	473228	97515	MCCOR	5458	9784508	GMC	2043	97GX	131 JOY	472394
972E-24	CLARK	45187S	97517	MCCOR	370002A	9785	C-R	25X60X8	97GX	132 JOY	472492!
972E-27	CLARK	471766!	97518	MCCOR	417506	9787	C-R	25X62X7	97GX	133 JOY	472492!
972E-33	CLARK	473228	9751	LPD JN-MN	471271!	97871	CHRY5	410308!	97GX	134 JOY	472397!
972E-6	CLARK	415458!	9751	LUP JN-MN	471271!	97871	CHRY5	473468	97GX	135 JOY	473242
972E15	CLARK	473232!	9752	C-R	222558	9787344	GMC	332062	97GX	136 JOY	473463
972E17	CLARK	450129	97520	MCCOR	370019A	9788739	GMC	8705S	97GX	137 JOY	416738!
972E17	CLARK	472826!	97521	MCCOR	370005A	9789	C-R	25X62X7	97GX	137 JOY	450096
972E18	CLARK	470682	97523	MCCOR	5471	9789	LPD JN-MN	476838!	97GX	138 JOY	450307
972E31	CLARK	473234	97524	MCCOR	5473	9789	LUP JN-MN	476838!	97GX	139 JOY	450532
9730	C-R	25X42X10!*	97525	MCCOR	5460	9790	C-R	25X62X10	97GX	14 JOY	330385!
9730	C-R	25X42X8!	97529	MCCOR	417505	9790	LPD JN-MN	471271!	97GX	140 JOY	473467
9731	C-R	25X45X8	9752	LPD JN-MN	415991	9790	LUP JN-MN	471271!	97GX	142 JOY	472016
9732	C-R	222540	9752	LPD JN-MN	455146!	9791	C-R	25X62X7V	97GX	143 JOY	413469!
9732	C-R	25X40X7!	9752	LUP JN-MN	415991	9793675	GMC	2043	97GX	144 JOY	472015!
9732LPD	JN-MN	417316!	9752	LUP JN-MN	455146!	9793685	GMC	2043	97GX	145 JOY	473243
9732LUP	JN-MN	417316!	97531	MCCOR	5462	9794	LPD JN-MN	455024	97GX	146 JOY	470898
9733	C-R	25X40X7*	97533	MCCOR	5481	9794	LUP JN-MN	455024	97GX	147 JOY	472015!
9733	C-R	710316	97537	MCCOR	5487	9795	C-R	222580	97GX	148 JOY	473245!
9733LPD	JN-MN	471276	97538	MCCOR	5589	9795	C-R	25X62X10!	97GX	149 JOY	471272!
9733LUP	JN-MN	471276	97539	MCCOR	5494	97955	HYST	472287!	97GX	15 JOY	455008
9734	C-R	25X45X8*	9754	C-R	25X50X10V	9795641	GMC	292594	97GX	150 JOY	471138!

! Industrial Size/Type * Minor Width Difference

= The U.S. customer service number is 877-4-TIMKEN. The Canadian customer service numbers are 800-565-4927 (English) and 800-565-0438 (French-Canadian).

NUMERICAL INTERCHANGE

Zero Duplication or Recommended Industrial		Zero Duplication or Recommended Industrial		Zero Duplication or Recommended Industrial		Zero Duplication or Recommended Industrial					
Mfr. No.	Name	Mfr. No.	Name	Mfr. No.	Name	Mfr. No.	Name				
97GX151	JOY	450033	97GX226	JOY	415196!	97GX88	JOY	471648	97KX15	JOY	455008
97GX152	JOY	450033	97GX227	JOY	416888!	97GX89	JOY	471224!	97KX150	JOY	471138!
97GX153	JOY	411253!	97GX228	JOY	417532	97GX9	JOY	415027	97KX153	JOY	411253!
97GX154	JOY	412920!	97GX229	JOY	416154!	97GX9	JOY	415027!	97KX154	JOY	412920!
97GX155	JOY	455136	97GX23	JOY	412119!	97GX90	JOY	471649!	97KX155	JOY	455136
97GX156	JOY	411376!	97GX230	JOY	417532	97GX91	JOY	471224!	97KX156	JOY	411376!
97GX157	JOY	410737!	97GX231	JOY	415371	97GX92	JOY	481650	97KX157	JOY	410737!
97GX158	JOY	410694!	97GX232	JOY	417535	97GX93	JOY	471835!	97KX158	JOY	410694!
97GX159	JOY	411394!	97GX233	JOY	415138!	97GX94	JOY	471763	97KX159	JOY	411394!
97GX16	JOY	471766!	97GX235	JOY	415725!	97GX95	JOY	476838!	97KX16	JOY	471766!
97GX163	JOY	413247!	97GX236	JOY	417278	97GX96	JOY	470712!	97KX163	JOY	413247!
97GX164	JOY	412119!	97GX237	JOY	417542	97GX97	JOY	471692!	97KX164	JOY	412119!
97GX165	JOY	416271!	97GX24	JOY	471765!	97GX98	JOY	471692!	97KX165	JOY	416271!
97GX166	JOY	417073	97GX241	JOY	417262!	97GX99	JOY	471785!	97KX166	JOY	417073
97GX167	JOY	411245!	97GX246	JOY	415072	97KX1	JOY	417563	97KX167	JOY	411245!
97GX17	JOY	415074	97GX249	JOY	455480!	97KX10	JOY	415058	97KX17	JOY	415074
97GX171	JOY	470605!	97GX25	JOY	417316!	97KX100	JOY	471736	97KX170	JOY	410496!
97GX172	JOY	470605!	97GX250	JOY	416239!	97KX101	JOY	471750!	97KX171	JOY	470605!
97GX173	JOY	415449!	97GX26	JOY	476470	97KX102	JOY	471192	97KX172	JOY	470605!
97GX174	JOY	455079!	97GX260	JOY	411394!	97KX103	JOY	473214	97KX174	JOY	455079!
97GX175	JOY	415082	97GX27	JOY	416137	97KX104	JOY	473214	97KX175	JOY	415082
97GX177	JOY	415988	97GX28	JOY	415036	97KX105	JOY	470950!	97KX177	JOY	415988
97GX178	JOY	415302	97GX3	JOY	416107!	97KX105	JOY	6241S	97KX178	JOY	415302
97GX179	JOY	417485	97GX3	JOY	455073	97KX106	JOY	471820	97KX179	JOY	417485
97GX18	JOY	416339	97GX30	JOY	416921!	97KX107	JOY	470625!	97KX180	JOY	455005
97GX18	JOY	455031!	97GX31	JOY	455019!	97KX108	JOY	470625!	97KX181	JOY	417344!
97GX180	JOY	455005	97GX34	JOY	415025	97KX109	JOY	470059	97KX182	JOY	417158!
97GX181	JOY	417344!	97GX35	JOY	473214	97KX109	JOY	470380!	97KX183	JOY	417344!
97GX182	JOY	417158!	97GX36	JOY	415988	97KX11	JOY	417487	97KX185	JOY	416654!
97GX183	JOY	417344!	97GX37	JOY	471138!	97KX110	JOY	470059	97KX186	JOY	417349
97GX185	JOY	416654!	97GX38	JOY	50199S!	97KX110	JOY	470380!	97KX187	JOY	417350!
97GX186	JOY	417349	97GX38	JOY	6863S!	97KX111	JOY	471821!	97KX188	JOY	417350!
97GX187	JOY	417350!	97GX39	JOY	416664!	97KX112	JOY	473229	97KX189	JOY	417351!
97GX188	JOY	417350!	97GX40	JOY	472029	97KX113	JOY	473229	97KX19	JOY	415064
97GX189	JOY	417351!	97GX41	JOY	417507!	97KX114	JOY	470682	97KX190	JOY	417487
97GX19	JOY	415064	97GX41	JOY	417507	97KX115	JOY	473444	97KX191	JOY	417488!
97GX190	JOY	417487	97GX43	JOY	418028	97KX116	JOY	473236!	97KX192	JOY	415995!
97GX191	JOY	417488!	97GX43	JOY	455137!	97KX117	JOY	474265	97KX193	JOY	55155=
97GX192	JOY	415995!	97GX44	JOY	473228	97KX118	JOY	450068	97KX194	JOY	417172
97GX193	JOY	55155=	97GX45	JOY	471532	97KX119	JOY	471504!	97KX195	JOY	417621!
97GX195	JOY	417621!	97GX46	JOY	473238!	97KX12	JOY	456105	97KX196	JOY	415021
97GX196	JOY	415021	97GX47	JOY	415960	97KX120	JOY	472179	97KX197	JOY	417490
97GX197	JOY	417490	97GX48	JOY	472924!	97KX121	JOY	472179	97KX198	JOY	417490
97GX198	JOY	417490	97GX49	JOY	417356!	97KX122	JOY	470334!	97KX199	JOY	455336
97GX199	JOY	455336	97GX49	JOY	455188	97KX123	JOY	473458!	97KX2	JOY	417546!
97GX2	JOY	417546!	97GX5	JOY	472185!	97KX124	JOY	473239	97KX20	JOY	415045!
97GX20	JOY	415045!	97GX50	JOY	473463	97KX125	JOY	471868	97KX200	JOY	455336
97GX200	JOY	455336	97GX51	JOY	472636!	97KX126	JOY	472439	97KX201	JOY	418028
97GX201	JOY	418028	97GX52	JOY	415995!	97KX127	JOY	472572!	97KX201	JOY	455137!
97GX201	JOY	455137!	97GX53	JOY	471646!	97KX128	JOY	472572!	97KX202	JOY	418028
97GX202	JOY	418028	97GX54	JOY	471472!	97KX13	JOY	415035	97KX202	JOY	455137!
97GX202	JOY	455137!	97GX55	JOY	472636!	97KX13	JOY	415035!	97KX203	JOY	476470
97GX203	JOY	476470	97GX57	JOY	416153!	97KX130	JOY	473462	97KX205	JOY	417491
97GX205	JOY	417491	97GX58	JOY	470530!	97KX131	JOY	472394	97KX207	JOY	412473!
97GX207	JOY	412473!	97GX6	JOY	450084!	97KX132	JOY	472492!	97KX208	JOY	415437
97GX208	JOY	415437	97GX63	JOY	455655!	97KX133	JOY	472492!	97KX21	JOY	416892!
97GX21	JOY	416892!	97GX7	JOY	415449!	97KX134	JOY	472397!	97KX211	JOY	417211!
97GX211	JOY	417211!	97GX70	JOY	470954!	97KX135	JOY	473242	97KX212	JOY	415034!
97GX213	JOY	417356!	97GX71	JOY	412920!	97KX136	JOY	473463	97KX213	JOY	417356!
97GX213	JOY	455188	97GX72	JOY	471551!	97KX137	JOY	416738!	97KX213	JOY	455188
97GX214	JOY	415035	97GX75	JOY	330385!	97KX137	JOY	450096	97KX214	JOY	415035
97GX214	JOY	415035!	97GX76	JOY	473236!	97KX138	JOY	450307	97KX214	JOY	415035!
97GX215	JOY	417511	97GX77	JOY	472810!	97KX139	JOY	450532	97KX215	JOY	417511
97GX216	JOY	417511	97GX78	JOY	471442!	97KX140	JOY	473467	97KX216	JOY	417511
97GX218	JOY	417513	97GX79	JOY	471532	97KX142	JOY	472016	97KX218	JOY	417513
97GX219	JOY	472157!	97GX8	JOY	413469!	97KX143	JOY	413469!	97KX219	JOY	472157
97GX219	JOY	472157	97GX81	JOY	471529	97KX144	JOY	472015!	97KX219	JOY	472157!
97GX22	JOY	455024	97GX82	JOY	50026	97KX145	JOY	473243	97KX22	JOY	455024
97GX220	JOY	472157!	97GX83	JOY	470590	97KX146	JOY	470898	97KX220	JOY	472157!
97GX220	JOY	472157!	97GX84	JOY	471267!	97KX147	JOY	472015!	97KX220	JOY	472157
97GX221	JOY	416891!	97GX85	JOY	470590	97KX148	JOY	473245!	97KX221	JOY	416891!
97GX222	JOY	416137	97GX86	JOY	471571	97KX149	JOY	471272!	97KX222	JOY	416137

! Industrial Size/Type

= The U.S. customer service number is 877-4-TIMKEN. The Canadian customer service numbers are 800-565-4927 (English) and 800-565-0438 (French-Canadian).

Mfr. No.	Name	Zero Duplication or Recommended Industrial	Mfr. No.	Name	Zero Duplication or Recommended Industrial	Mfr. No.	Name	Zero Duplication or Recommended Industrial	Mfr. No.	Name	Zero Duplication or Recommended Industrial
97KX226	JOY	415196!	97KX89	JOY	471224!	97MX150	JOY	455583N!	97MX82	JOY	472397!
97KX227	JOY	416888!	97KX9	JOY	415027!	97MX152	JOY	55333=	97MX83	JOY	450311
97KX228	JOY	417532	97KX9	JOY	415027	97MX153	JOY	417596	97MX84	JOY	450311
97KX229	JOY	416154!	97KX90	JOY	471649!	97MX156	JOY	416364!	97MX85	JOY	470898
97KX23	JOY	412119!	97KX91	JOY	471224!	97MX157	JOY	415116	97MX86	JOY	470898
97KX230	JOY	417532	97KX92	JOY	481650	97MX159	JOY	417602!	97MX87	JOY	472234
97KX231	JOY	415371	97KX93	JOY	471835!	97MX160	JOY	417604	97MX89	JOY	471272!
97KX232	JOY	417535	97KX94	JOY	471763	97MX161	JOY	415128	97MX90	JOY	472636!
97KX233	JOY	415138!	97KX95	JOY	476838!	97MX162	JOY	55301S	97MX93	JOY	413478
97KX235	JOY	415725!	97KX96	JOY	470712!	97MX163	JOY	415090	97MX94	JOY	413478
97KX236	JOY	417278	97KX97	JOY	471692!	97MX164	JOY	415001!	97MX95	JOY	411245!
97KX237	JOY	417542	97KX98	JOY	471692!	97MX165	JOY	415645!	97MX96	JOY	416288!
97KX24	JOY	471765!	97KX99	JOY	471785!	97MX165	JOY	455104	97MX98	JOY	417343!
97KX241	JOY	417262!	97LX127	JOY	416891!	97MX17	JOY	450342	97MX99	JOY	455151
97KX246	JOY	415072	97LX133	JOY	415138!	97MX171	JOY	455330!	97P3	WHITE	455151
97KX249	JOY	455480!	97LX276	JOY	476470	97MX177	JOY	416891!	97VX1	JOY	417563
97KX25	JOY	417316!	97LX29	JOY	417344!	97MX179	JOY	472636!	97VX10	JOY	415058
97KX250	JOY	416239!	97LX31	JOY	471750!	97MX18	JOY	471762!	97VX100	JOY	472185!
97KX26	JOY	476470	97LX32	JOY	471413	97MX187	JOY	416364!	97VX101	JOY	472179
97KX27	JOY	416137	97LX40	JOY	472029	97MX19	JOY	473420	97VX102	JOY	450089
97KX28	JOY	415036	97LX52	JOY	415995!	97MX197	JOY	415138!	97VX103	JOY	473450
97KX29	JOY	415645!	97LX53	JOY	415991	97MX2	JOY	471466!	97VX104	JOY	473458!
97KX29	JOY	455104	97LX53	JOY	455146!	97MX20	JOY	471747!	97VX105	JOY	473239
97KX3	JOY	416107!	97LX66	JOY	472492!	97MX21	JOY	471763	97VX106	JOY	471868
97KX3	JOY	455073	97LX68	JOY	471271!	97MX22	JOY	473234	97VX107	JOY	472439
97KX30	JOY	416921!	97LX81	JOY	472924!	97MX25	JOY	471765!	97VX108	JOY	472394
97KX31	JOY	455019!	97MX1	JOY	471466!	97MX26	JOY	471413!	97VX109	JOY	472397!
97KX32	JOY	473313	97MX10	JOY	450398	97MX27	JOY	471766!	97VX11	JOY	417487
97KX33	JOY	415007	97MX10	JOY	471267!	97MX28	JOY	473213!	97VX110	JOY	473242
97KX34	JOY	415025	97MX102	JOY	415960	97MX29	JOY	417344!	97VX111	JOY	410102
97KX35	JOY	473214	97MX106	JOY	415995!	97MX3	JOY	471466!	97VX112	JOY	416738!
97KX36	JOY	415988	97MX107	JOY	55155=	97MX31	JOY	471750!	97VX112	JOY	450096
97KX37	JOY	471138!	97MX109	JOY	417621!	97MX32	JOY	471413!	97VX113	JOY	450307
97KX39	JOY	416664!	97MX11	JOY	471570!	97MX34	JOY	417316!	97VX114	JOY	473467
97KX4	JOY	416666	97MX112	JOY	476470	97MX38	JOY	481163!	97VX115	JOY	413469!
97KX40	JOY	472029	97MX113	JOY	418028	97MX39	JOY	471192	97VX116	JOY	472016
97KX41	JOY	417507	97MX113	JOY	455137!	97MX40	JOY	472029	97VX117	JOY	472015!
97KX41	JOY	417507!	97MX116	JOY	415991	97MX42	JOY	473214	97VX118	JOY	473243
97KX43	JOY	418028	97MX116	JOY	455146!	97MX43	JOY	473215!	97VX119	JOY	473245!
97KX43	JOY	455137!	97MX117	JOY	416339	97MX44	JOY	473226	97VX12	JOY	456105
97KX44	JOY	473228	97MX117	JOY	455031!	97MX45	JOY	473225!	97VX120	JOY	412920!
97KX45	JOY	471532	97MX118	JOY	416339	97MX47	JOY	470625!	97VX121	JOY	411376!
97KX46	JOY	473238!	97MX118	JOY	455031!	97MX48	JOY	470059	97VX122	JOY	410737!
97KX47	JOY	415960	97MX119	JOY	417211!	97MX48	JOY	470380!	97VX123	JOY	410694!
97KX48	JOY	472924!	97MX12	JOY	471571	97MX49	JOY	470059	97VX124	JOY	411394!
97KX49	JOY	417356!	97MX120	JOY	416345!	97MX49	JOY	470380!	97VX125	JOY	417073
97KX49	JOY	455188	97MX120	JOY	455033	97MX50	JOY	473229	97VX126	JOY	411245!
97KX5	JOY	472185!	97MX121	JOY	415034!	97MX51	JOY	472636!	97VX127	JOY	415449!
97KX50	JOY	473463	97MX124	JOY	415036	97MX52	JOY	415995!	97VX128	JOY	415302
97KX51	JOY	472636!	97MX125	JOY	415295	97MX53	JOY	415991	97VX129	JOY	415458!
97KX52	JOY	415995!	97MX127	JOY	416891!	97MX53	JOY	455146!	97VX13	JOY	415035
97KX53	JOY	471646!	97MX128	JOY	472157!	97MX56	JOY	470682	97VX13	JOY	415035!
97KX55	JOY	472636!	97MX128	JOY	472157	97MX57	JOY	473231	97VX130	JOY	417485
97KX57	JOY	416153!	97MX129	JOY	416888!	97MX58	JOY	473010	97VX131	JOY	455005
97KX58	JOY	470530!	97MX13	JOY	450039	97MX59	JOY	473010	97VX132	JOY	417344!
97KX6	JOY	450084!	97MX130	JOY	416154!	97MX60	JOY	473445	97VX133	JOY	417134
97KX7	JOY	415449!	97MX132	JOY	416158	97MX61	JOY	473234	97VX134	JOY	417486
97KX70	JOY	470954!	97MX133	JOY	415138!	97MX62	JOY	474265	97VX135	JOY	416654!
97KX71	JOY	412920!	97MX134	JOY	415066	97MX63	JOY	472164!	97VX137	JOY	55155=
97KX75	JOY	330385!	97MX135	JOY	416167!	97MX64	JOY	472179	97VX138	JOY	417621!
97KX76	JOY	473236!	97MX136	JOY	416167!	97MX66	JOY	472492!	97VX139	JOY	415021
97KX77	JOY	472810!	97MX137	JOY	416865!	97MX68	JOY	471271!	97VX140	JOY	455336
97KX78	JOY	471442!	97MX138	JOY	416865!	97MX69	JOY	415449!	97VX141	JOY	415023
97KX79	JOY	471532	97MX139	JOY	455290	97MX7	JOY	471231!	97VX142	JOY	415937!
97KX8	JOY	413469!	97MX14	JOY	471224!	97MX70	JOY	471141!	97VX143	JOY	455032!
97KX81	JOY	471529	97MX141	JOY	417551	97MX73	JOY	473449	97VX144	JOY	415034!
97KX82	JOY	50026	97MX143	JOY	417254	97MX76	JOY	472439	97VX145	JOY	417513
97KX83	JOY	470590	97MX144	JOY	480630!	97MX77	JOY	472572!	97VX146	JOY	472157
97KX84	JOY	471267!	97MX145	JOY	417555!	97MX78	JOY	472319	97VX146	JOY	472157!
97KX85	JOY	470590	97MX147	JOY	417780	97MX8	JOY	474253	97VX147	JOY	416891!
97KX86	JOY	471571	97MX149	JOY	415072	97MX80	JOY	472394	97VX148	JOY	416153!
97KX88	JOY	471648	97MX15	JOY	471649!	97MX81	JOY	472924!	97VX149	JOY	415371

! Industrial Size/Type

= The U.S. customer service number is 877-4-TIMKEN. The Canadian customer service numbers are 800-565-4927 (English) and 800-565-0438 (French-Canadian).

NUMERICAL INTERCHANGE

Mfr. No.	Name	Zero Duplication or Recommended Industrial	Mfr. No.	Name	Zero Duplication or Recommended Industrial	Mfr. No.	Name	Zero Duplication or Recommended Industrial	Mfr. No.	Name	Zero Duplication or Recommended Industrial
97VX15	JOY	455008	97VX71	JOY	473462	97X139	JOY	473236!	97X20	JOY	415045!
97VX150	JOY	415138!	97VX72	JOY	411253!	97X140	JOY	450068	97X200	JOY	416167!
97VX151	JOY	457874	97VX73	JOY	471224!	97X141	JOY	472179	97X201	JOY	416865!
97VX152	JOY	416239!	97VX74	JOY	416444	97X142	JOY	470334!	97X202	JOY	416865!
97VX153	JOY	417507	97VX75	JOY	416271!	97X143	JOY	450089	97X204	JOY	415072
97VX153	JOY	417507!	97VX76	JOY	417171!	97X144	JOY	473450	97X206	JOY	457874
97VX156	JOY	472560N!	97VX77	JOY	455022	97X145	JOY	471866!	97X207	JOY	417563
97VX159	JOY	471472!	97VX78	JOY	455026	97X146	JOY	473458!	97X208	JOY	416229
97VX16	JOY	471766!	97VX8	JOY	413469!	97X147	JOY	471868	97X209	JOY	411376!
97VX17	JOY	457874	97VX80	JOY	481568!	97X148	JOY	472439	97X21	JOY	416892!
97VX18	JOY	416339	97VX81	JOY	472924!	97X15	JOY	455008	97X210	JOY	416239!
97VX18	JOY	455031!	97VX82	JOY	50026	97X151	JOY	472397!	97X211	JOY	415551
97VX19	JOY	415064	97VX85	JOY	470590	97X152	JOY	473242	97X212	JOY	455406!
97VX2	JOY	417546!	97VX86	JOY	471648	97X153	JOY	416738!	97X213	JOY	417606
97VX20	JOY	415045!	97VX87	JOY	450044	97X153	JOY	450096	97X214	JOY	417020
97VX21	JOY	416892!	97VX88	JOY	471763	97X154	JOY	450307	97X216	JOY	471648
97VX22	JOY	455024	97VX89	JOY	476838!	97X155	JOY	472016	97X22	JOY	455024
97VX23	JOY	412119!	97VX9	JOY	415027	97X156	JOY	413469!	97X23	JOY	412119!
97VX24	JOY	471765!	97VX9	JOY	415027!	97X157	JOY	410308!	97X24	JOY	417165!
97VX25	JOY	417316!	97VX90	JOY	471785!	97X158	JOY	411253!	97X25	JOY	417316!
97VX26	JOY	476470	97VX91	JOY	470950!	97X159	JOY	411376!	97X251	JOY	471272!
97VX27	JOY	416137	97VX91	JOY	6241S	97X16	JOY	471766!	97X253	JOY	471354!
97VX28	JOY	415036	97VX92	JOY	470625!	97X160	JOY	410694!	97X254	JOY	415995!
97VX29	JOY	415645!	97VX93	JOY	471821!	97X161	JOY	411394!	97X259	JOY	471570!
97VX29	JOY	455104	97VX94	JOY	473229	97X162	JOY	416271!	97X26	JOY	476470
97VX3	JOY	416107!	97VX95	JOY	470682	97X163	JOY	417073	97X261	JOY	417351!
97VX3	JOY	455073	97VX96	JOY	473444	97X164	JOY	410496!	97X262	JOY	415437!
97VX30	JOY	416921!	97VX97	JOY	473236!	97X165	JOY	415302	97X262	JOY	415437
97VX31	JOY	455019!	97VX98	JOY	474265	97X166	JOY	415458!	97X263	JOY	415991
97VX32	JOY	473313	97VX99	JOY	450068	97X167	JOY	417485	97X263	JOY	455146!
97VX33	JOY	415007	97X	JOY	471684!	97X168	JOY	455005	97X264	JOY	417196!
97VX34	JOY	415025	97X1	JOY	417563	97X169	JOY	417134	97X267	JOY	471684!
97VX35	JOY	473214	97X10	JOY	415058	97X17	JOY	457874	97X268	JOY	471567!
97VX36	JOY	415988	97X100	JOY	417344!	97X170	JOY	455144	97X269	JOY	473213!
97VX4	JOY	416666	97X101	JOY	416654!	97X171	JOY	417486	97X27	JOY	416137
97VX40	JOY	410496!	97X102	JOY	417497	97X172	JOY	417488!	97X270	JOY	417492
97VX41	JOY	415041	97X103	JOY	417492	97X173	JOY	55155=	97X271	JOY	416892!
97VX42	JOY	415379!	97X104	JOY	415995!	97X174	JOY	417621!	97X272	JOY	415938
97VX42	JOY	415379	97X105	JOY	473245!	97X175	JOY	416288!	97X273	JOY	418028
97VX43	JOY	418028	97X106	JOY	470059	97X176	JOY	417491	97X273	JOY	455137!
97VX43	JOY	455137!	97X106	JOY	470380!	97X177	JOY	415379	97X274	JOY	415437
97VX44	JOY	473228	97X107	JOY	470950!	97X177	JOY	415379!	97X275	JOY	471554!
97VX45	JOY	473225!	97X107	JOY	6241S	97X178	JOY	412473!	97X276	JOY	470590
97VX46	JOY	473238	97X108	JOY	480210!	97X179	JOY	417191	97X279	JOY	416664!
97VX47	JOY	415960	97X11	JOY	417487	97X179	JOY	456585	97X28	JOY	415036
97VX48	JOY	472924!	97X110	JOY	473225!	97X18	JOY	416339	97X280	JOY	473471
97VX49	JOY	417356!	97X114	JOY	415196!	97X18	JOY	455031!	97X281	JOY	417520
97VX49	JOY	455188	97X116	JOY	471472!	97X180	JOY	415025	97X282	JOY	473228
97VX5	JOY	472185!	97X118	JOY	471549!	97X181	JOY	455249!	97X284	JOY	416345!
97VX50	JOY	473463	97X119	JOY	471532	97X182	JOY	415711	97X284	JOY	455033
97VX52	JOY	415995!	97X12	JOY	456105	97X183	JOY	415937!	97X287	JOY	417562
97VX53	JOY	471646!	97X120	JOY	481073	97X184	JOY	415379	97X289	JOY	471413
97VX54	JOY	473232	97X121	JOY	471553!	97X184	JOY	415379!	97X29	JOY	415645!
97VX55	JOY	472636!	97X122	JOY	50026	97X185	JOY	455032!	97X29	JOY	455104
97VX57	JOY	416153!	97X123	JOY	471689!	97X186	JOY	417366!	97X290	JOY	415938
97VX58	JOY	470530!	97X124	JOY	471649!	97X187	JOY	417211!	97X291	JOY	471466!
97VX59	JOY	473464!	97X125	JOY	471224!	97X188	JOY	417210!	97X292	JOY	471224!
97VX59	JOY	473464	97X126	JOY	450044	97X189	JOY	416345!	97X293	JOY	473474
97VX6	JOY	450084!	97X127	JOY	471763	97X189	JOY	455033	97X294	JOY	471466!
97VX60	JOY	410190	97X128	JOY	476838!	97X19	JOY	415064	97X296	JOY	450177
97VX61	JOY	471571	97X129	JOY	470712!	97X190	JOY	415034!	97X297	JOY	471413
97VX62	JOY	470712!	97X13	JOY	415035	97X191	JOY	417512	97X3	JOY	416107!
97VX63	JOY	473016!	97X13	JOY	415035!	97X192	JOY	417513	97X3	JOY	455073
97VX64	JOY	470059	97X130	JOY	471785!	97X193	JOY	416891!	97X30	JOY	416921!
97VX64	JOY	470380!	97X131	JOY	471750!	97X194	JOY	472157!	97X300	JOY	415124
97VX65	JOY	471820	97X132	JOY	470625!	97X194	JOY	472157	97X301	JOY	416125!
97VX66	JOY	471821!	97X133	JOY	473229	97X195	JOY	416888!	97X302	JOY	417262!
97VX67	JOY	473010	97X134	JOY	470682	97X196	JOY	415371	97X303	JOY	472311!
97VX68	JOY	473446	97X135	JOY	451469	97X197	JOY	417247!	97X307	JOY	415995!
97VX69	JOY	50075=	97X136	JOY	473444	97X198	JOY	415138!	97X308	JOY	471424!
97VX7	JOY	415001!	97X137	JOY	473010	97X199	JOY	415066	97X31	JOY	455019!
97VX70	JOY	472144!	97X138	JOY	473446	97X2	JOY	417546!	97X315	JOY	471391!

! Industrial Size/Type

= The U.S. customer service number is 877-4-TIMKEN. The Canadian customer service numbers are 800-565-4927 (English) and 800-565-0438 (French-Canadian).

Mfr. No.	Name	Zero Duplication or Recommended Industrial	Mfr. No.	Name	Zero Duplication or Recommended Industrial	Mfr. No.	Name	Zero Duplication or Recommended Industrial	Mfr. No.	Name	Zero Duplication or Recommended Industrial
97X32	JOY	473313	97X91	JOY	473460	983253	OMC	17720	98750	C-R	55224=
97X323	JOY	471692!	97X92	JOY	473460	9832LPD	JN-MN	455397	987570R1	IH	JV753
97X328	JOY	4725600!	97X93	JOY	473239	9832LUP	JN-MN	455397	9876	C-R	471224!
97X329	JOY	473237!	97X94	JOY	472394	9833	C-R	472311!	9876LPD	JN-MN	471344!
97X33	JOY	415007	97X96	JOY	416444	9833A	C-R	416921!	9876LUP	JN-MN	417344!
97X331	JOY	481792	97X97	JOY	411245!	9833S	NATL	8705S	9877	C-R	471224
97X332	JOY	417480!	97X98	JOY	415449!	9834	C-R	472311!	9878	C-R	471224!
97X34	JOY	415025	97X99	JOY	455151	9835	C-R	240414	9879	C-R	471224
97X346	JOY	417344!	98005R91	IH	472439	9835	C-R	472311!	9879	C-R	471224
97X35	JOY	473214	9800A	C-R	415995!	983570R1	IH	370003A	987RC	SUL	472287!
97X354	JOY	417602!	9800LPD	JN-MN	455194	9837	C-R	472311!	98809	CATER	485725N
97X36	JOY	415988	9800LUP	JN-MN	455194	9838	C-R	472311!	9881	C-R	471224
97X37	JOY	471138!	9805	C-R	712012	9839	C-R	471224!	9882	C-R	471689!
97X39	JOY	416664!	9810A	C-R	415449!	9840	C-R	471224!	9885	C-R	471224!
97X4	JOY	416666	981200	SPICE	476838!	9840A	C-R	471316!	98860R91	IH	472016
97X40	JOY	472029	9812013A	HARWA	98X120X13	9841A	C-R	470530!	9886LPD	JN-MN	455121
97X41	JOY	417507	9814	C-R	252277	98427996	IVECO	713134	9886LUP	JN-MN	455121
97X41	JOY	417507!	981480	SPICE	416332!	98427998	FIAT	713064	9889	C-R	6847S
97X42	JOY	415379	9815	C-R	240731	9843	C-R	471224	9890A	C-R	240319
97X42	JOY	415379!	9815LPD	JN-MN	416654!	98435	C-R	250X280X15	9891LPD	JN-MN	55532=
97X43	JOY	418028	9815LUP	JN-MN	416654!	98436545	FIAT	713024	9891LUP	JN-MN	55532=
97X43	JOY	455137!	981605	OMC	17720	9844	C-R	471224	9892	C-R	471224!
97X44	JOY	473228	9818	C-R	342517	9844	KEN	471224	9892LPD	JN-MN	415711
97X45	JOY	471466!	981RC	SUL	472287!	9845	NATL	450375	9892LUP	JN-MN	415711
97X46	JOY	473238	9820	C-R	441130	9845	NATL	6936S	9893	C-R	471270!
97X47	JOY	415960!	9820LPD	JN-MN	415138!*	98451055	FIAT	713057	9894	C-R	471270!
97X48	JOY	472924!	9820LUP	JN-MN	415138!	9846	C-R	350909	9894	HYST	473215!
97X49	JOY	417356!	9821	C-R	441130	9846	C-R	471224!	9895	C-R	471270!
97X49	JOY	455188	982259R91	IH	370012A	984631	VIC	415035	9895	HYST	455032!
97X5	JOY	472185!	982259R91	IH	5473\$	9847	C-R	472311!	9896	C-R	471270!
97X50	JOY	473461!	9823	C-R	441130*	98471	HYST	415295	9898	TOWNR	473197
97X51	JOY	472636!	9823545	NEHO	370223A=	9848	C-R	471224!	98X120X13	SIMRT	98X120X13
97X52	JOY	415995!	982483R91	IH	100495	984801R91	IH	5406	98X120X13SC	TRSCM	98X120X13
97X53	JOY	471646!	982483R91	IH	417349	9848LPD	JN-MN	471652	98X120X13TC	TRSCM	98X120X13
97X54	JOY	473232	982591R91	IH	417262!	9848LPD	JN-MN	482208!	9900	C-R	343123
97X55	JOY	472636!	9825LPD	JN-MN	450104	9848LUP	JN-MN	471652	990065	ACF	40468
97X57	JOY	416153!	9825LUP	JN-MN	450104	9848LUP	JN-MN	482208!	9900LPD	JN-MN	471760
97X58	JOY	470530!	9826	C-R	252277	9849	C-R	471224!	9900LUP	JN-MN	471760
97X59	JOY	417316!	9827	C-R	472311!	98492	HYST	471341!	990101	ACF	472164!
97X6	JOY	450084!	9828	C-R	472311!	98494989	IVECO	713123	990132	SPICE	473423
97X60	JOY	410737!	9828-00102	HINO	231004	9849LPD	JN-MN	473444	990132	VIC	473423
97X61	JOY	471763	9828-01112	HINO	710368	9849LUP	JN-MN	473444	99019R91	IH	471224!
97X63	JOY	417073	9828-01125	HINO	710368	9850	C-R	471224!	99022R91	IH	416654
97X64	JOY	415379	9828-01137	HINO	710371	9851	C-R	471224!*	9903	C-R	473380
97X64	JOY	415379!	9828-01144	HINO	710366	9852	C-R	471224!	99031	AM WH	472164!
97X65	JOY	416239!	9828-01147	HINO	710371	98520	TW-CO	474278!	99032	AM WH	472439
97X66	JOY	417247!	9828-01149	HINO	717004	98524	HYST	472179	99049	C-R	99049
97X7	JOY	415001!	9828-01165	HINO	710368	9854	C-R	471224!	99049RS	VIC	99049
97X71	JOY	415991	9828-01167	HINO	710366	9854LPD	JN-MN	472164!	99058	C-R	99058
97X71	JOY	455146!	9828-01204	HINO	710369	9854LUP	JN-MN	472164!	99059	C-R	99059
97X72	JOY	410102	9828-01206	HINO	710295	9858LUP	JN-MN	471424!	99059RS	VIC	99059
97X73	JOY	471571	9828-48112	HINO	710296	9859	C-R	471224!	99060	C-R	99060
97X75	JOY	473426	9828-58105	HINO	225875	9859	C-R	6522S!	99060RS	VIC	99060
97X76	JOY	473467	9828-65116	HINO	710367	9859LPD	JN-MN	471224!	99062	C-R	99062
97X77	JOY	413469!	9828-65119	HINO	710367	9859LUP	JN-MN	471224!	99062RS	VIC	99062
97X78	JOY	417171!	9828-70102	HINO	70X95X13	9861	C-R	471224!	99065	ACF	40468
97X79	JOY	415021	9828-80102	HINO	228020	9862	C-R	471224	99068	C-R	99068
97X8	JOY	413469!	9828-85106	HINO	710294	9862	C-R	471224	99068RS	VIC	99068
97X80	JOY	455022	9828-90108	HINO	229005	98630R91	IH	6663S	9907	C-R	473380
97X81	JOY	415023	982827102	HINO	712009	986350	OTISE	55199=	99076	C-R	99076
97X82	JOY	473215!	983006R91	IH	6635S	9863LPD	JN-MN	416273!	99076RS	VIC	99076
97X83	JOY	470059	98305	WITTE	472924!	9863LUP	JN-MN	416273!	99078	C-R	99078
97X83	JOY	470380!	98305A	WITTE	470898	9864	C-R	471224!	99078RS	VIC	99078
97X84	JOY	471821!	98309	CINMI	471785!	98643	HYST	410737!	9907SKR	NATL	370086A
97X85	JOY	473235!	9830LPD	JN-MN	417605	9865	C-R	471224!	99085	C-R	99085
97X86	JOY	472070	9830LUP	JN-MN	417605	9866LPD	JN-MN	415035	99085RS	VIC	99085
97X87	JOY	474265	9831	C-R	252277	9866LPD	JN-MN	415035!	99087	C-R	99087
97X88	JOY	473238	98317	TW-CO	450398	9866LUP	JN-MN	415035!	99087RS	VIC	99087
97X89	JOY	472144!	98317	TW-CO	471267!	9866LUP	JN-MN	415035	9909	C-R	471649!
97X9	JOY	415027	9831LPD	JN-MN	481163!	9867	C-R	471224!	99094	C-R	99094
97X9	JOY	415027!	9831LUP	JN-MN	481163!	9869	C-R	471224!	99096	C-R	99096
97X90	JOY	472144!	9832	C-R	240414*	98732	HYST	417503	99096RS	VIC	99096

! Industrial Size/Type * Minor Width Difference \$F-M Number Is Part Of A Kit
 = The U.S. customer service number is 877-4-TIMKEN. The Canadian customer service numbers are 800-565-4927 (English) and 800-565-0438 (French-Canadian).

NUMERICAL INTERCHANGE

Zero Duplication or Recommended Industrial		Zero Duplication or Recommended Industrial		Zero Duplication or Recommended Industrial		Zero Duplication or Recommended Industrial	
Mfr. No.	Name	Mfr. No.	Name	Mfr. No.	Name	Mfr. No.	Name
99098	C-R	99098	99174 C-R	99174	99236RS VIC	99236	99300RS VIC
99098RS	VIC	99098	99174RS VIC	99174	99237 C-R	99237	99303 C-R
99100	C-R	99100	99175 BR-ST	450593!	99237RS VIC	99237	99303RS VIC
99100	C-R	99101	99175 C-R	99175	99238 C-R	99238	99307 C-R
99100RS	VIC	99100	99175RS VIC	99175	99238RS VIC	99238	9930LPD JN-MN
99100RS	VIC	99101	99176 BR-ST	481644	9924 C-R	471649!	9930LUP JN-MN
99103	C-R	99103	99176 C-R	99176	99240 C-R	99240	99311 C-R
99103RS	VIC	99103	99176RS VIC	99176	99240RS VIC	99240	99311RS VIC
99106	C-R	99106	99177 C-R	99177	99242 C-R	99242	99312 C-R
99106RS	VIC	99106	99177RS VIC	99177	99243 C-R	99243	99312RS VIC
99111	C-R	99111	99179 C-R	99179	99243RS VIC	99243	99313 C-R
99111RS	VIC	99111	99179RS VIC	99179	99248 C-R	99248	99313RS VIC
99112	C-R	99112	9918 C-R	471649!	99248C91 IH	370150A	99315 C-R
99112RS	VIC	99112	99181 C-R	99181	99248RS VIC	99248	99315RS VIC
99114	BR-ST	471553!	99181RS VIC	99181	99250 C-R	99250	99317 BR-ST
99114	C-R	99114	99186 C-R	99186	99250RS VIC	99250	9932 C-R
99114RS	VIC	99114	99186RS VIC	99186	99253 C-R	99253	99322 C-R
99118	C-R	99118	99187 C-R	99187	99253RS VIC	99253	99322RS VIC
99118RS	VIC	99118	99187RS VIC	99187	99254 C-R	99254	99324 C-R
99123	C-R	99123	99189 C-R	99189	99254RS VIC	99254	99324RS VIC
99125	C-R	99125	99189RS VIC	99189	99256 C-R	99256	99325 C-R
99125RS	VIC	99125	9918LPD JN-MN	417134	99256RS VIC	99256	99325RS VIC
99128	C-R	99128	9918LUP JN-MN	417134	99259 C-R	99259	99331 C-R
99128RS	VIC	99128	9918M1 C-R	471649!	99259RS VIC	99259	99331RS VIC
99129	C-R	99129	9919 C-R	471649!	9926 C-R	471649!	99333 C-R
99129RS	VIC	99129	99190 C-R	99190	99260 C-R	99260	99333RS VIC
9912A	C-R	416654	99193 C-R	99193	99260RS VIC	99260	99334 C-R
99131	C-R	99131	99193RS VIC	99193	99261 C-R	99261	99334RS VIC
99131RS	VIC	99131	99196 C-R	99196	99261RS VIC	99261	99337 C-R
99133	C-R	99133	99196RS VIC	99196	99262 C-R	99262	99337RS VIC
99133RS	VIC	99133	99199 C-R	99199	99262RS VIC	99262	99339 C-R
99134	C-R	99134	99199RS VIC	99199	99264 C-R	99264	99339RS VIC
99138	C-R	99138	99200 C-R	99200	99267 C-R	99267	9934 C-R
99138RS	VIC	99138	99200RS VIC	99200	99267RS VIC	99267	471649!
99139	C-R	99139	992018 LONG	414045!	99269 C-R	99269	99340RS VIC
99139RS	VIC	99139	992019 LONG	471224!	99269RS VIC	99269	99347 C-R
99143	C-R	99143	992021 LONG	470898!	99272 C-R	99272	99347RS VIC
99143RS	VIC	99143	992024 LONG	450398	99272RS VIC	99272	99349 C-R
99144	C-R	99144	992024 LONG	471267!	99273 C-R	99273	99349RS VIC
99144RS	VIC	99144	992026 LONG	473197	99273RS VIC	99273	9935 C-R
99146	C-R	99146	99205 C-R	99205	99274 C-R	99274	471649!
99146RS	VIC	99146	99205RS VIC	99205	99274RS VIC	99274	99350 C-R
99147	C-R	99147	99210 C-R	99210	99275 C-R	99275	99350RS VIC
99147RS	VIC	99147	99210RS VIC	99210	99275RS VIC	99275	99351 C-R
99149	C-R	99149	99212 C-R	99212	99276 C-R	99276	99351RS VIC
99149RS	VIC	99149	99212RS VIC	99212	99276RS VIC	99276	99354 C-R
99150	C-R	99150	99215 C-R	99215	99277HX SPG	331227H	99354RS VIC
99150RS	VIC	99150	99215RS VIC	99215	99281 C-R	99281	99356 C-R
99152	C-R	99152	99218 C-R	99218	99281RS VIC	99281	99356RS VIC
99155	C-R	99155	99218RS VIC	99218	99282 C-R	99282	99356SS JN-MN
99155RS	VIC	99155	9922 C-R	471649!	99282RS VIC	99282	473235!*
99156	C-R	99156	99220 C-R	99220	99286 C-R	99286	99362 C-R
99156RS	VIC	99156	99225 BR-ST	473016!	99286RS VIC	99286	99362RS VIC
99157	C-R	99157	99225 C-R	99225	99287 C-R	99287	99363 C-R
99157RS	VIC	99157	99225RS VIC	99225	99287RS VIC	99287	99363RS VIC
9915A	C-R	470088	99226 C-R	99226	9929 C-R	471649!*	99364 C-R
99162	C-R	99162	99226RS VIC	99226	99290 C-R	99290	99364RS VIC
99162RS	VIC	99162	99227 C-R	99227	99290RS VIC	99290	99367 C-R
99165	C-R	99165	992280 AMC	40316S	99291 C-R	99291	99367RS VIC
99166	C-R	99166	992293 WILYS	415458!	99291RS VIC	99291	99368 C-R
99166	SPG	99166	992297 AMC	415458!	99292 C-R	99292	99368RS VIC
99166RS	VIC	99166	992297 WILYS	415458!	99293 C-R	99293	99369 C-R
99168	C-R	99168	9923 C-R	471649!	99293RS VIC	99293	99369RS VIC
99168RS	VIC	99168	99230 C-R	99230	99294 C-R	99294	9937 C-R
99169	C-R	99169	99230RS VIC	99230	99294RS VIC	99294	99372 C-R
99169RS	VIC	99169	99231 C-R	99231	99296 C-R	99296	99372RS VIC
99170	C-R	99170	99231RS VIC	99231	99296RS VIC	99296	99374 C-R
99170RS	VIC	99170	99233 C-R	99233	99298 C-R	99298	99374RS VIC
99171	C-R	99171	99233RS VIC	99233	99298RS VIC	99298	99376 C-R
99171RS	VIC	99171	99235 C-R	99235	99299 C-R	99299	99376RS VIC
99172	C-R	99172	99235RS VIC	99235	99299RS VIC	99299	993785 ACF
99172RS	VIC	99172	99236 C-R	99236	99300 C-R	99300	472636!
							993802 ACF
							993803 ACF
							6270
							5401

! Industrial Size/Type *Minor Width Difference

Mfr. No.	Name	Zero Duplication or Recommended Industrial	Mfr. No.	Name	Zero Duplication or Recommended Industrial	Mfr. No.	Name	Zero Duplication or Recommended Industrial	Mfr. No.	Name	Zero Duplication or Recommended Industrial
99387	C-R	99387	9952LUP	JN-MN	473228	999.113.057.52	PORSC	226520	9L7735	CATER	473474
99387RS	VIC	99387	99549	C-R	99549	999.113.215.40	PORSC	229010	9L7736	CATER	39801
9939	C-R	471649!	99549RS	VIC	99549	999.113.231.40	PORSC	60X85X8!	9L8336	CATER	J1606
993926	GW	254287	9955LPD	JN-MN	472179	999.113.263.40	PORSC	60X85X8!	9L8483	CATER	416167=
99393	C-R	99393	9955LUP	JN-MN	472179	999.113.290.42	PORSC	223050	9L9077	CATER	415725!
99393RS	VIC	99393	9956SS	JN-MN	473405	999.113.475.40	PORSC	710196	9L9185	CATER	473474
99395	C-R	99395	99575	C-R	99575	999.113.476.40	PORSC	716102	9M3879	CATER	416892!
99395RS	VIC	99395	99575RS	VIC	99575	9990	C-R	471689!	9M5159	CATER	470565=
99399	C-R	99399	9958	CHRY	470954	99902	CINMI	470086	9M5351	CATER	473367!
99399RS	VIC	99399	99599	C-R	99599	99911323540	PORSC	65X85X10	9M7432	CATER	471224!
99400	C-R	99400	99599RS	VIC	99599	99911326440	PORSC	229005	9M7962	CATER	415449!
99401	C-R	99401	9960	C-R	474250!	99911328240	PORSC	223020	9N0307	CATER	415303!
99401RS	VIC	99401	99606	C-R	99606	99911346140	PORSC	229010	9N1190B	FORD	6336S
994024TC	SPG	330699	99606RS	VIC	99606	9992	C-R	25X42X7V	9N18183	FORD	240385
99406	CHRY	473313!	99625	C-R	99625	9992LPD	JN-MN	471567!	9N307	CATER	415303!
99406	NPG	710005	99625RS	VIC	99625	9992LUP	JN-MN	471567!	9N4251	FORD	410987=
994107TC	SPG	994107	99630	C-R	99630	9993	C-R	471689!*	9N703A	FORD	471829
994108TC	SPG	994108	99630RS	VIC	99630	9993LPD	JN-MN	415072*	9N703A2	FORD	471829
994129TD	SPG	994129	9963LPD	JN-MN	415138!	9993LUP	JN-MN	415072	9N703B	FORD	471829
99413	C-R	99413	9963LUP	JN-MN	415138!	9994	C-R	471689!*	9N749	DURA	473214!
99413RS	VIC	99413	9964LPD	JN-MN	417549!	9995	C-R	471689!	9N749	FORD	473214!
99423	C-R	99423	9964LUP	JN-MN	417549!	99954	C-R	415995!	9N749	SPICE	473214
99423	CLARK	473420	9965	C-R	471689!	99954	C-R	415995*	9N749B	DURA	473214!
99423RS	VIC	99423	99650	C-R	99650	9997	C-R	471689!	9N750	DURA	473236!
99424	C-R	99424	99650RS	VIC	99650	99977	BR-ST	481443!	9N750	SPICE	473236!
99424RS	VIC	99424	9966	C-R	471689!	9998	C-R	471689!	9N750B	DURA	473236!
994258	AMC	473228	996693	CLARK	204017	9998LPD	JN-MN	415995!	9N750B	FORD	473236!
994258	AMGEN	473228	9967	C-R	471689	9998LUP	JN-MN	415995!	9S2391	CATER	472258
994261	AMC	9912	99675	C-R	99675	9999KB1608	MACK	470954!	9S2400	CATER	J1824* =
994261	AMGEN	9912	99675RS	VIC	99675	9999KB1675	MACK	417210!	9S3111	CATER	3807
994311TC	SPG	994311	99680	C-R	417602!	9999KB1920	MACK	416404!	9SK-095	WHITE	5M466
99435	C-R	99435	996816	C-R	417603!	9999KB1921	MACK	472157	9SK0524	WHITE	474273
99435RS	VIC	99435	996816M1	C-R	417603!	9999KB1921	MACK	472157!	9X18X7SC	TRSCM	9X18X7
99437	C-R	99437	99690	C-R	55301S	9999KB1921	MACK	472157!	9X18X7TC	TRSCM	9X18X7
99437RS	VIC	99437	99690M1	C-R	55301S	99GW240144-6	TROS	473235	9X22X7	SIMRT	9X22X7
99440	BR-ST	471649!	99700	C-R	99700	9A6904	LEYLD	471192	9X22X7SC	TRSCM	9X22X7
9945	HYST	415449!	99700RS	VIC	99700	9A7847	FED	415254	9X22X7TC	TRSCM	9X22X7
99450	C-R	99450	997151TC	SPG	997151	9A8009	FED	472636!	9X24X7	FORSH	9X24X7
99450RS	VIC	99450	997179TC	SPG	470954	9B1208	CATER	470530!	9X24X7	SIMRT	9X24X7
99452	C-R	99452	997295TD	SPG	997295	9B140	CATER	471763	9X24X7SC	TRSCM	9X24X7
99452RS	VIC	99452	9973LPD	JN-MN	415867	9B5662	CATER	415437	9X24X7TC	TRSCM	9X24X7
99463	C-R	99463	9973LUP	JN-MN	415867	9B6453	CATER	471750!	9X26X7	FORSH	9X26X7
99463RS	VIC	99463	9974	C-R	471689!	9B8053	CATER	471530	9X26X7	SIMRT	9X26X7
99468	C-R	99468	9975	C-R	471689!	9D6581	CATER	710023	9X26X7SC	TRSCM	9X26X7
99468RS	VIC	99468	99750	C-R	99750	9D6582	CATER	710024	9X26X7TC	TRSCM	9X26X7
99472	C-R	99472	99750RS	VIC	99750	9D6584	CATER	710026	9X7547	CATER	320510V*
99472RS	VIC	99472	9975LPD	JN-MN	471646!	9D6585	CATER	710027	9Y-7625	CATER	600016
99473	C-R	99473	9975LUP	JN-MN	471646!	9F3487	CATER	471466!	9Y7624	CATER	901017
99473RS	VIC	99473	99766	CHRY	481507N=	9F3848	CATER	471554!	9Y9895	CATER	41163T
99475	C-R	99475	99766	C-R	471689!	9F3850	CATER	472016			
99475RS	VIC	99475	9977	C-R	471689!	9F3958	CATER	471103!			
9947LPD	JN-MN	471141!	99786	CINMI	470050	9F5088	CATER	416125!			
9947LUP	JN-MN	471141!	99787	C-R	99787	9F7959	CATER	415213N			
99484	CHRY	471424!	99787RS	VIC	99787	9F8616	CATER	476470			
9949	C-R	471649!*	9979	C-R	471689!	9H223	CATER	470954			
99491	C-R	99491	99804	BR-ST	471689!	9H223	IH	470954			
994912	WILYS	6465	998092	AMC	5778	9H2257	CATER	473460			
99492	C-R	99492	998092	AMGEN	5778	9H2258	CATER	472924!			
99492RS	VIC	99492	998123	AMC	9316	9H6079	CATER	417316!			
99494	C-R	99494	9982	C-R	471689!	9H6504	CATER	413246			
99494RS	VIC	99494	9983	C-R	471689!	9H8839	CATER	471413*			
99498	C-R	99498	9983LPD	JN-MN	471684!	9H9484	CATER	472572!			
99498RS	VIC	99498	9983LUP	JN-MN	471684!	9H9678	CATER	470380!			
99499	C-R	99499	9984	C-R	471689!	9J0107	CATER	J1122			
99499RS	VIC	99499	998497	AMC	480821!	9J0110	CATER	J1126			
994D4	WHITE	50560	9985	C-R	471689!	9J107	CATER	J1126			
99515	BR-ST	476838!	99858	CHRY	470954	9J110	CATER	J1126			
9951LPD	JN-MN	415351!	9989	C-R	471689!	9K2199	CATER	415066			
9951LUP	JN-MN	415351!	998J	OSHO	415036	9L126	CATER	470328			
99525	C-R	99525	999.113.012.50	PORSC	1973	9L126	CATER	481213!			
99525RS	VIC	99525	999.113.029.50	PORSC	226020	9L6021	CATER	J1895* =			
9952LPD	JN-MN	473228	999.113.049.50	PORSC	226020	9L7188	CATER	415725!			
			999.113.057.50	PORSC	226520	9L7600	CATER	39801			

! Industrial Size/Type * Minor Width Difference

= The U.S. customer service number is 877-4-TIMKEN. The Canadian customer service numbers are 800-565-4927 (English) and 800-565-0438 (French-Canadian).

ABBREVIATIONS TO MANUFACTURERS

ABBREVIATION	MANUFACTURER NAME	ABBREVIATION	MANUFACTURER NAME	ABBREVIATION	MANUFACTURER NAME
ACDEL	A/C Delco	CLEVI	Clevite Engine Parts	FITZ	Fitzgerald
AIRCO	Aircooled Motors	CLIMX	Climax	FLXIB	Fixible
AIWDI	AI/WDI	CLIN	Clinton Engines	FME	Federal-Mogul
AJUSA	Ajusa	CLOYE	Cloyes Gear	FMW	Federal-Mogul
ALFAR	Alfa Romeo	CLSON	Clarkson (National Mtr.)	FOOTE	Foote Brothers Gear & Machine
ALLCH	Allis-Chalmers	CLSTL	Cleveland Steel Product	FORSH	Forsheda
ALOY	Alloy Mfg.	CNTIR	Canadian Tire (Short Line)	FPDSL	FP Diesel
ALTFO	Alten Fndry & Mach	COC	Cockshutt	FR-HT	French & Hecht
AM BO	American Bosch	COLLS	Collins Radio Co.	FREIG	Freightliner
AM BR	American Brake Shoe	CONCA	Continental Can Co.	FRKLN	Franklin Equipment
AM CA	American Can Co.	COND	Consolidated Diesel	FRUEH	Fruehauf
AM CH	American Chain	CONDC	Condec Co.	FT-WA	Fort Wayne Truck Parts
AM HO	Amer Hoist & Derrick	CONE	Cone Drive Gears	FULLE	Fuller
AM MA	American Marietta Co.	CONSL	Consolidated Bearing	GA-WO	Garland Works
AM WH	American Wheelabrator	CONST	Const Machy Sales Co.	GABR	Gabriel
AMGEN	AM General	CONTI	Continental	GAL	Galion
AT IM	Atlas Imperial Diesel	COOK	Cook Brothers Equipment	GARCI	GARCIA
AT SU	Atlas Supply	COTTA	Cotta Transmission	GARLK	Garlock
AT-PL	Athens Plow	CR-CF	Chris Craft	GE	General Electric Corp.
AU-LI	Auto Lite	CROSL	Crosley	GEM	Gemmer
AU-WS	Austin-Western	CRUSA	Crusader Marine	GERL	Gerlinger
AUPRO	Auto Pro (Short Line)	CTD	Canadian Tool & Die	GIB	Gibson
AUTDP	Auto Pro	CUMMI	Cummins	GILSN	Gilson Brothers
AUTOB	Autobianchi	CURTS	Curtis Machine	GM	General Motors Corp.
AUTOZ	AutoZone	CUSH	Cushman	GN-TI	General Tire
AUTSP	Auto Specialities	CYCLO	Cycloblower Co.	GO-TI	Goodyear Tire
AVANT	Avanti	DAEWO	Daewoo	GOODM	Goodman
B-L-H	Baldwin-Lima-Hamilton	DAIHA	Daihatsu	GR-DV	Gardner Denver
BADGE	Badger Northland	DALMO	Dalmo Victor	GR-RP	Gorman Rupp
BARRE	Barrentine Mfg.	DANMA	Danuser Machine Works	GRAM	Graham
BARTL	Bartell	DAVEY	Davey Compressor	GRAY	Gray Marine
BE-AR	Beck/Arnley	DCORP	Dyna Co.	GREEN	Green Ball Bearing
BEHLN	Behlen Mfg. Co.	DEMPC	Dempster Pumps Co.	GUARA	Guaranteed
BENDI	Bendix-Westinghouse	DENCO	Dennis Co.	GW1	Gar Wood Industries
BESTV	Best Valu (Victor Retail)	DET	Detroit	H-S	Hall-Scott
BL-KN	Blaw Knox	DETRL	Detroit Retail	HARN	Harnischfeger Corp.
BLUE	John Blue Co.	DETRO	Detroit Diesel	HARRI	Harris Mfg. Co.
BORGW	Borg Warner	DEVIL	Devilbliss Co.	HART	Hart Carter Co.
BOSTN	Boston Gear	DEXTR	Dexter	HARWA	Harwall
BOWEN	Bowen Mc Laughlin	DGASK	Detroit Gasket	HENRY	Henry Mfg.
BR-ST	Briggs & Stratton	DIA	Diamond-T	HERCU	Hercules
BR-WN	Braden Wnch	DIESA	Diesel America	HESST	Hesston
BRAD	David Bradley Mfg. Works	DIESE	Diesel Guard	HI-EQ	Highway Equipment
BRADF	Brad Foote Gear Works	DISOG	Disogrin	HK-SY	Hawker-Siddeley
BRCWY	Brockway	DIVCO	Divco-Wayne	HOLLE	Holley
BRWNG	Browning Mfg.	DODGE	Dodge Mfg.	HR-DV	Harley-Davidson
BTM	Bantam	DODM	Dodge Mfg.	HU-WR	Huber-Warco
BU-SP	Buff Springfld Roll	DOMGA	Dominion Gasket	HUB-C	Hub City Iron
BUC-E	Bucyrus-Erie	DOMIN	Dominion Road Machinery	HUGKE	Hughes-Keenan
BULLD	Bulldog	DRESS	Dresser Industry	HUME	Hume Hd Co.
BUSHH	Bush Hog	DYNLS	Dynamic Seal	HWY	Hi-way Trailers
BUTBN	Butler Bin	EARTH	Earthmaster	HYST	Hyster
C-P	Chicago Pneumatic	EBERTH	Eberhardt Denver	HYUND	Hyundai
C-R	Chicago Rawhide	EDELM	Edelman	IDEAL	Ideal Division
C-W	Curtiss-Wright	EGDYN	Engine Dynamics	IG-RA	Ingersoll Rand
CALI	California Pellet	EL-MO	Electric Motors	IH	International
CALSO	E L Caldwell & Sons	EL-PA	Elwell-Parker	INTDE	International Derrick
CANAD	Canadian Car & Foundry	EL-WH	Electric Wheel	IPS	International Parts System
CARDX	Cardox Co.	EMRSN	Emerson Electric	IRON	Iron Fireman Mfg. Co.
CARQU	Carquest	EMSCO	Emsco Corp.	ISP	International Seal & Packing
CARTR	Carter Carburetor Division	ESSIC	Essick Mfg. Co.	JA-HE	Jack And Heintz Inc.
CARVR	Carver Pump Co.	EUCLD	Euclid	JA-MI	Jaeger Mixer
CATER	Caterpillar	EUROS	Eurospares	JAC	Jacobsen
CEMAC	Cemac Vacuum	EVERS	Eversman Mfg. Co.	JAE	Jaeger
CH MA	Charles Machine Works	F-R-H	Fate-Roote-Heath	JAGUA	Jaguar
CHALL	Challenge Cook	FAIRB	Fairbanks-Morse	JEFF	Jeffrey
CHAMP	Champion Carrier	FAIRM	Fairmont Railway Motors	JN-CR	John Crane
CHECK	Checker	FALKC	Falk Corp.	JN-MN	Johns-Manville
CHEL	Chelsea	FAWIC	Fawick Airflex Co.	JNSON	Johnson Mfg. Co.
CHERY	Cherry Burrell Co.	FED	Federal	JOHND	John Deere
CHRYR	Chrysler	FEDMG	Federal-Mogul	KELSE	Kelsey-Hayes
CINMI	Cinn Milling Mach.	FELPC	Fel-Pro	KEN	Kenworth
CL-HU	Clark Hurth (N. Carolina)	FI-AL	Fiat Allis	KERSH	Kershaw
CLAYE	Clay Equipment	FI-CO	Filper Co.	KEWNE	Kewanee Machine
CLAYN	Clayton Mfg. Co.	FIRE	Firestone		

ABBREVIATIONS TO MANUFACTURERS

ABBREVIATION	MANUFACTURER NAME	ABBREVIATION	MANUFACTURER NAME	ABBREVIATION	MANUFACTURER NAME
KINGN	Kingston Products Corp.	NATSU	National Supply Co.	SPICE	Spicer
KINNR	Kinner Motors	NAVST	Navistar	STAND	Standard
KNICK	Knicker Bocker Co.	NDEP	New Departure	STAR	Starline
KOEH	Koehring	NEHO	New Holland	STDFG	Standard Forge
KOHL	Kohler	NEWPR	New Process	STDRL	Standard Retail
KOMAT	Komatsu	NEWVR	New Venture Gear	STEEL	Steel Products Eng. Co.
KRSE	Krause Plow	NISSA	Nissan	STEM	Stemco
KY-CL	Korody Colyer	NORDG	Nordberg Mfg. Co.	STERL	Sterling
L & N	Leeds & Northrup	NOVI	Novi Equipment	STN-S	Standard Steel
L & S	L & S Bearing	NPG	New Process	STUDE	Studebaker
LABEQ	Laboratory Equipment Co.	NRWST	Northwest Engineering	SUBAR	Subaru
LAMBO	Lamborghini	O-M	Outboard Marine	SUL	Sullivan
LANCA	Lancia	OILGR	Oil Gear Co.	SUPER	Superior Diesel
LAU	Lauson	OLIVE	Oliver	SUZUK	Suzuki
LAVIN	Lavine Gear Co.	OSHKO	Oshkosh	TALBO	Talbot
LAVOI	Lavoie Laboratories	OTISE	Otis Elevator	TAYLR	Taylor Machine Works
LAWN	Lawn Boy	OWS	Oil Well Supply	TEKNI	Tekni Craft
LAZOR	Lazorlite	P-C	Perfect Circle	TEREL	Terrell Machine Co.
LEECE	Leece Neville Co.	PAARS	Paarss Automotive	TERX	Terex
LEMCO	Lempco	PACIF	Pacific Car & Foundry	TEXAS	Texas Iron Works
LETN	Le Tourneau-Westinghouse	PARGN	Paragon Gear	THEW	Thew Shovel
LEYLD	British Leyland	PARK	Parkersburg	THIOK	Thiokol Chemical
LF-PT	Lift Parts Mfg. Inc.	PAYEN	Payen Seals	TLSMI	T. L. Smith Co.
LIGET	Liggett Spring Axle	PEERC	Peerless Production Co.	TMTR	Towmotor
LILIS	Lilliston	PERFC	Perfection American	TOWNR	Towner Mfg.
LIMA	Lima Electric Mtrs.	PERKI	Perkins	TOYOT	Toyota
LISLE	Lisle Tool, Clarinda, Ia	PERSN	Pearson Ben	TRAC	Tractomotive
LK-BT	Link Belt	PETTI	Pettibone-Mulliken	TRACN	Trackson Co.
LOKWD	Lockwood Div.	PEUGE	Peugeot	TRACS	Trackless Tank Co.
LUF	Lufkin Industries	PI-BA	Pioneer Barnes	TRANG	Transmission And Gear
MA-PR	Marine Products	PORSC	Porsche	TRANS	Transtec
MAGNA	Magna American	PORTR	Portable Rig Co.	TREME	Tremec
MANT	Manitowoc	PREC	Precision	TRISL	Triseal
MARI	Marion Shovel	PREST	Prestolite	TRMBL	Trailmobile
MARMO	Marmon	PTDEP	Parts Depot (Short Line)	TROS	Trostel
MASSE	Massey-Ferguson	PUL	Pullman Co.	TRSCM	Transcom Oil Seals
MASTE	Master Electric Co.	PYUNG	Pyung Hwa Industrial	TRU-P	Tru Parts Mfg.
MATHR	Mather	QAP	Quality Auto Parts	TRUK	Truckstell
MAXIF	Maxiforce	RACIN	Racine Tool & Machine Co.	TW-CO	Twin Coach
MC-CL	Mc Culloch	READY	Ready Power Co.	TW-DI	Twin Disc
MC-NO	McQuay-Norris	REINZ	Reinz-Dichtungs-GMBH	ULRIC	Ulrich Products Co.
MCBED	McBee Distributors	RELEE	Relianc Electric & Engineering	UNIT	Unit Crane & Shovel
MCCOR	Mc Cord	RELIA	Reliance Industries	UNIVE	Universal
MCCRL	McCord Retail	RENAU	Renault	US-EL	U.S. Electrical Motors
MCKIN	Mckinnon Ind.	REPUB	Republic Gear	VAUXH	Vauxhall
MECH	Mechanex	REULD	Reuland Electric	VERSA	Versatile
MERCE	Mercedes-Benz	REX	Rex Chain Belt Co.	VIC	Victor
MERCM	Mercury Marine	RFT	RFT (SKF/CR)	VICK	Vickers
MESC	Mesaco	ROCK	Rockhill	VICRL	Victor Retail
MICH	Michigan (see Clark)	ROCKE	Rocket	VILA	Villafane Auto Supply, Inc.
MID	Midland Co.	ROCKW	Rockwell	VOLWH	Volvo White
MID-R	Midland Ross	ROL	Rol Mfg.	W-PTS	World Parts
MIHLE	Miehle	ROLRL	Rol Retail	WAGMA	Wagner Tool & Machine Co.
MINMA	Minister Machine Co.	ROOTE	Rootes	WAGNR	Wagner Tractor
MINNM	Minneapolis-Moline	ROSS	Ross Gear	WALKE	Walker Vehicle Co.
MIRCO	Mirco Sleeve	ROTO	Rototiller	WARNE	Warner
MISSI	Mission Mfg. Co.	SABO	Sabo Oil Seals Of Brazil	WARNR	Warner Gear
MITSU	Mitsubishi	SCHWI	Schwitzer Co.	WAUKE	Waukesha
MIX	Mixing Equipment	SCOT	Scott Atwater	WAYNE	Wayne Mfg. Co.
MIXMO	Mixermobile Mfg. Co.	SEALD	Sealed Power	WESTO	Western Auto
MO-CH	Morse Chain	SEALR	Sealright Co.	WESTR	Westrac Co.
MOHWK	Mohawk Mfg.	SEAMA	Seaman Motors	WGEAR	Western Gear Co.
MOTO	Moto Power	SELAS	Selastomer	WHELA	Wheland Co.
MRGAS	Mr Gasket	SHEP	Sheppard	WILSO	Wilson Mfg. Co.
MTR-C	Motor Coach Ind.	SHOV	Shovel Supply	WILYS	Willys
MURPH	Murphy Diesel	SIDEW	Sidewinder	WIP-L	Whip-I Crank Seals
MURRA	Murray Corporation	SIMPL	Simplicity Tractor	WISCO	Wisconsin
MUSKE	Muskegon	SIMRT	Simrit	WOODB	Wood Bros
MWKEL	M W Kellogg Co.	SKIL	Skillsaw	WOOL	Wooldridge
MYERS	Myers Sherman	SNFLW	Sunflower Implements	WORLD	World Gasket
NAK	Nakata S.A. Industrial	SOLAR	Solar Division	Y-T	Yale & Towne
NATAU	National Automatic Tool Co.	SPECI	Specialty Products	YARD	Yardman
NATEN	National Engineering Co.	SPERY	Sperry Rand		
NATL	National Seal Number	SPG	Sealing Products Group		

Mfr. No.	Name	Zero Duplication or Recommended Industrial	Mfr. No.	Name	Zero Duplication or Recommended Industrial	Mfr. No.	Name	Zero Duplication or Recommended Industrial	Mfr. No.	Name	Zero Duplication or Recommended Industrial
84385	MCCOR	412920!	844464	HESST	416071	844RC	SUL	473238!	84549	MCCOR	6626S
84388	FITZ	470898!	84447	FITZ	471192	84500	FITZ	415995!	84549K	FITZ	5403
84388	MCCOR	470605!	84448	MCCOR	200600	84500	MCCOR	200640	84550	FITZ	471316
84389	FITZ	473462	84449	MCCOR	80313	84501	MCCOR	473239	84551	FITZ	472439
84389	MCCOR	413247!	84452	FITZ	471554!	84501S	FITZ	6241S	84552	MCCOR	6781
84389M1	MASSE	472015!	84452	MCCOR	473440!	84502	FITZ	40566S	84553	FITZ	472157!
8438LPD	JN-MN	417500	84453	FITZ	471192	84503	FITZ	2081	84553	FITZ	472157
84390	FITZ	410987!	84454	MCCOR	410737!	84503	MCCOR	450472!	84553	MCCOR	470565!
84390	MCCOR	473448	84456	FITZ	473435	8450413	GMC	470682	84554	FITZ	473235!
843908	WHITE	240735	84456	MCCOR	472439	845045	WHITE	415302	84554	MCCOR	350942
84391	MCCOR	450446	84457	FITZ	415001!	84506	MCCOR	473474	84555	MCCOR	470530!
84392	MCCOR	450463	84458	MCCOR	472015!	84507	MCCOR	210914	84556	FITZ	410059
84394	FITZ	473238	84459	MCCOR	473241	84508	FITZ	471835!	84556	FITZ	470380!
84395	FITZ	5877	84461	MCCOR	6547	84508	MCCOR	472924	84556	MCCOR	415449!
84395	MCCOR	473462	84463	FITZ	471787	84509	FITZ	473235	84556S	FITZ	410059
84396	FITZ	410190	84463	MCCOR	40094S	84509	MCCOR	210945	84556S	FITZ	470380!
84396	MCCOR	473235	84464	MCCOR	40097S	84510	MCCOR	472924!	84557	MCCOR	415449!
84397	FITZ	200354	84465	MCCOR	472015!	84511	FITZ	417316!	84558	MCCOR	473215!
84398	FITZ	472258	84468	FITZ	471689!	84511	MCCOR	410987!	84562	MCCOR	451078!
84399	MCCOR	6336S	84468	MCCOR	470898	84512	FITZ	6465	84563	FITZ	6489
8440	C-R	473414	84469	FITZ	472354!	84512	MCCOR	473234!	84563	MCCOR	41081S=
844001176	IH	416404!	84469	MCCOR	6532S=	84513	FITZ	470354	84565	FITZ	240151
844001177	IH	417351!	8446A	C-R	80313	84514	FITZ	6358	84565	MCCOR	7600S
844001180	IH	472924!	84470	FITZ	450400	84515	MCCOR	40627S=	84567	FITZ	50199S!
844001181	IH	415871	84470	MCCOR	473238!	84516	FITZ	473228	84567	FITZ	6863S!
844001183	IH	417546!	84471	MCCOR	471391!	845161	WHITE	417158!	84567	MCCOR	6818
84402	FITZ	6936S	84472	MCCOR	471870!	84517	MCCOR	5MR1008	84569	MCCOR	470898!
84402S	FITZ	6936S	84473	FITZ	416654	84519	FITZ	40769S	8457	C-R	473414*
84403	FITZ	415041	84473	MCCOR	472492!	84519	MCCOR	470530!	8457	FULLE	418028!
84404	FITZ	340724!	84474	FITZ	472016	84523	FITZ	6966S	84572	MCCOR	410708
84404	MCCOR	473179	84474	MCCOR	472287!	84523	MCCOR	473442!	84573	FITZ	471766!
84406	MCCOR	410987=	84475	FITZ	415001!	84524	FITZ	410825	84573	MCCOR	450269
84408	FITZ	471827	84475	MCCOR	472409	84526	MCCOR	413479	84574	FITZ	456618
84408	MCCOR	450068	84475S	MCCOR	472409	84527	FITZ	40576S	84574	MCCOR	415449!
84408S	FITZ	471827	84476	FITZ	450467	84527	MCCOR	412119!	84575	FITZ	415371
84409	FITZ	470898	84476	MCCOR	471763	845274	WHITE	471570!	84576	FITZ	416865!
84409	MCCOR	472070	84477	FITZ	472636!	845275	WHITE	417181!	84576	MCCOR	6922=
8441	C-R	473414	84477	MCCOR	471689!	845276	WHITE	472179	84577	MCCOR	6808N
84410	MCCOR	450285	84478	FITZ	415449!	84528	FITZ	473229	84578	FITZ	410737!
84411	FITZ	470625!	84478	MCCOR	471271!	84529	FITZ	6270	84578	MCCOR	473234!
84412	MCCOR	450311	84479	FITZ	415960	8452A	C-R	471649!	8458	C-R	473414*
84414	MCCOR	472492!	84481	MCCOR	473459	84530	FITZ	5401	84580	FITZ	471862
84415	FITZ	415072	84481H	MCCOR	473459	84530	MCCOR	450911N!	84581	MCCOR	473467!
84415	MCCOR	473197	84483	FITZ	470530!	84530K	FITZ	5401	84582	MCCOR	416271!
844159	HESST	471391!	84483	MCCOR	415449!	84532	MCCOR	6636S	84583	FITZ	412473!
84416	MCCOR	50528	84484	FITZ	472394	84533	FITZ	493291	84583	MCCOR	472354!
84417	MCCOR	50631	84484	MCCOR	411376!	84533	MCCOR	410708	84584	FITZ	410737!
84419	FITZ	470950!	84485	FITZ	474276!	84534	FITZ	450335	84584	MCCOR	6590S
84419	FITZ	6241S	84485	MCCOR	470565!	84534	MCCOR	473179	84585	FITZ	417344!
84420	MCCOR	450776!	84486	FITZ	473227!	84535	FITZ	455151	84586	FITZ	330385!
84421	MCCOR	416271!	84486	MCCOR	416271!	84536	FITZ	42763	84587	MCCOR	412040
84422	FITZ	471255!	84487	FITZ	411330!	84536	MCCOR	473016!	84589	FITZ	473474
84422	MCCOR	416664!	84487	MCCOR	450803	84537	MCCOR	472150	84590	FITZ	471504!
84423	FITZ	411253!	84488	FITZ	416654!	84538	FITZ	450776!	84590S	FITZ	471504!
8442SS	JN-MN	471649!	84488	MCCOR	450655=	84538	MCCOR	450984	84591	FITZ	6547
84431	FITZ	5070	84489	FITZ	415483!	84539	FITZ	450776!	84592	MCCOR	450104
84431	MCCOR	471271!	84490	MCCOR	450765!	84539	MCCOR	416271!	84593	MCCOR	450133
84432	FITZ	470606!	84491	FITZ	410308!	84540	FITZ	6489	84594	MCCOR	474274
84434	MCCOR	471272!	84492	FITZ	450307	84541	FITZ	6465	84595	FITZ	474264
84435	MCCOR	413246	84492	MCCOR	470712!	84541	MCCOR	472164!	84595	MCCOR	471271!
84437	FITZ	5924	84493	FITZ	471141!	84542	FITZ	417516	84596	FITZ	6638S
84437	MCCOR	471316	84495	MCCOR	450313	84543	FITZ	472439	84599	FITZ	470954!
84438	MCCOR	470806	84497	FITZ	353141!	84544	MCCOR	470764!	846	ROCKW	370037A
84438S	MCCOR	470806	84497	MCCOR	6180=	84544	MCCOR	50764	846	ROCKW	370338A
84439	MCCOR	450808	844974	WHITE	417171!	84545	FITZ	417316!	84600	MCCOR	450412
8443LPD	JN-MN	472319	84498	MCCOR	411394!	84545	MCCOR	6785	84602	FITZ	471267!
8443LUP	JN-MN	472319	84499	FITZ	6064	84546	FITZ	415697!	84602	MCCOR	5589\$
84441	FITZ	470898!	84499	MCCOR	473461!	84546	FITZ	455547	84603	FITZ	472572!
84443	FITZ	5921	8449SS	JN-MN	470950!	84546	MCCOR	416271!	84604	MCCOR	6960
84444	MCCOR	50501	8449SS	JN-MN	6241S	84547	FITZ	3210	84605	FITZ	472560N
84445	FITZ	5957S	844F-6700-AA	FORD	712101	84547	MCCOR	410308	84605	MCCOR	40316S
84446	MCCOR	450143	844F-6C270-AA	FORD	712102	84548	MCCOR	205004	84606	FITZ	240356

! Industrial Size/Type * Minor Width Difference \$F-M Number Is Part Of A Kit
 = The U.S. customer service number is 877-4-TIMKEN. The Canadian customer service numbers are 800-565-4927 (English) and 800-565-0438 (French-Canadian).

NUMERICAL INTERCHANGE

Mfr. No.	Name	Zero Duplication or Recommended Industrial	Mfr. No.	Name	Zero Duplication or Recommended Industrial	Mfr. No.	Name	Zero Duplication or Recommended Industrial	Mfr. No.	Name	Zero Duplication or Recommended Industrial
84606	MCCOR	6985	84645	FITZ	410102	84684	FITZ	415991	84727	FITZ	412920!
84607	FITZ	415284	84645	MCCOR	472185!	84684	FITZ	455146!	84728	FITZ	415035!
84607	MCCOR	41075S	84646	MCCOR	473232!	84684	MCCOR	340900	84728	FITZ	415035
84607S	FITZ	415284	84646K	FITZ	5408	84685S	FITZ	417506	84730	FITZ	5951
84608	FITZ	6635S	84647	MCCOR	410987!	84686	FITZ	417507!	84731	FITZ	240009
84609	MCCOR	414045!	84647	MCCOR	450686	84686	FITZ	417507	84732	FITZ	7107A=
84609K	FITZ	5405	84648	FITZ	6245S=	84686	MCCOR	471341!	84734	FITZ	470605!
8460LPD	JN-MN	55199=	84648	MCCOR	413246	84687	FITZ	450482	84735	FITZ	417223
8460LUP	JN-MN	55199=	84649	MCCOR	7381S	84688	FITZ	417484!	84736	FITZ	473426
8461	C-R	473414*	8464G	P-C	TCS45483	84688	MCCOR	331301N	84737	FITZ	416125!
84610	FITZ	340797	8464LPD	JN-MN	471570!*	84689	FITZ	410308!	84738	FITZ	416888!
84610	MCCOR	410496!	8464LUP	JN-MN	471570!	8468LUP	JN-MN	410708*	84739	FITZ	415995!
84611	FITZ	340413	8465	C-R	473414	84690	FITZ	200600	84740	FITZ	413247!
84611	MCCOR	410496!	84650	MCCOR	473243	84690	MCCOR	5113	847407	GW	476470
84612	FITZ	350936	84651	MCCOR	331107N	84690	MCCOR	7721!	847407	GW	476470!
84612	MCCOR	470334!	84651H	MCCOR	331107N	84691	FITZ	471646!	84741	FITZ	55030
84613	FITZ	416130!	84651K	FITZ	5406	84691	MCCOR	415449	84742	FITZ	416345!
84613	MCCOR	473179!	84651N	MCCOR	331107N	84692	FITZ	450165	84742	FITZ	455033
84614	FITZ	415043	84652	FITZ	6636S	84692	FITZ	471801!	84743	FITZ	415027
84614	MCCOR	44053	84653	MCCOR	415302	84693	FITZ	471567!	84743	FITZ	415027!
84615	FITZ	417267	84654	FITZ	415138!	84694	MCCOR	350936	84745	FITZ	473016!
84615	MCCOR	455434	84654	MCCOR	6180=	84695S	FITZ	9613S	84746	FITZ	240119
84616	FITZ	455024	84655	FITZ	415060	84696	FITZ	471821!	84747	FITZ	471272!
84616	MCCOR	6954S	84655	FITZ	455060	84698	MCCOR	5589	84748	FITZ	417481
84617	FITZ	455151	84656	FITZ	415351!	84699	FITZ	481073	84749	FITZ	6127
84617	MCCOR	44052	84656	MCCOR	45827S	84699	MCCOR	473473	84750	FITZ	471413
84618	FITZ	455037	84657	FITZ	450666	846D6	WHITE	415697!	84751	FITZ	470530!
84618	MCCOR	410737!	84658	FITZ	455251H	846D6	WHITE	455547	84752	FITZ	45013S
84618S	FITZ	455037	84658	MCCOR	473452	847	EATON	370001A	84753	FITZ	417343!
84619	FITZ	370036A	84659	FITZ	50560	847	EATON	380001A	84754	FITZ	471649!
84619	MCCOR	470487!	8465LPD	JN-MN	470590	84700	FITZ	472179	84755	FITZ	473449
8461LPD	JN-MN	470088	8465LUP	JN-MN	470590	84700	MCCOR	470898	84756	FITZ	240319
8461LUP	JN-MN	470088	84660	FITZ	474272!	84701	MCCOR	471271!	84758	FITZ	45031S
84620	FITZ	473232!	84663	FITZ	473473	84702	FITZ	6370N	84759	FITZ	415036
84621	FITZ	470625!	84664S	FITZ	470898	84702	MCCOR	7751H	84760	FITZ	40085S
84621	MCCOR	473228	84665	FITZ	471267!	84703	MCCOR	472016	84761S	FITZ	416271!
84622	FITZ	471750!	84665S	FITZ	471267!	84704	MCCOR	8243	84762	FITZ	450039
84622	MCCOR	3103!	84666	FITZ	480630!	84705	MCCOR	8610	84763	FITZ	471760
84623	FITZ	471619!	84667	FITZ	416921!	84706	FITZ	40973S	84764	FITZ	323138!
84623	MCCOR	7107A=	84668	FITZ	410987!	84706	MCCOR	331227H	84765	FITZ	473010
84624	FITZ	471553!	84668	MCCOR	7457N	84707	MCCOR	8168=	84767	FITZ	417356!
84624	MCCOR	5126	84669	MCCOR	442380	84708	FITZ	6643S	84767	FITZ	455188
84625	MCCOR	7216	84670	FITZ	417316!	84708	MCCOR	472070	84768	FITZ	5578
846256	WHITE	471870!	84670	MCCOR	471341!	84709	MCCOR	9015S	84769	FITZ	471231!
846275	WHITE	100495	84671	FITZ	416288!	8470LPD	JN-MN	417484!	84770	FITZ	481644
846275	WHITE	417349	84671	MCCOR	7107A=	8470LUP	JN-MN	417484!	84773	FITZ	473234!
84628	MCCOR	203006!	84672	MCCOR	413246	84710	FITZ	6098=	84775	FITZ	455612=
8462LPD	JN-MN	472016	846724	GW	470625!	84710	MCCOR	7044NA	84776	FITZ	476470
8462LUP	JN-MN	472016	84672S	FITZ	350942	84711	CATER	471554!	84777	FITZ	340771
84630	MCCOR	7044NA	84673	FITZ	415058	84713	MCCOR	6960	84778	FITZ	417349
84631	MCCOR	451143	84673	MCCOR	3095	84714	FITZ	412871!	84779	FITZ	471785!
84632	FITZ	471442!	84674	FITZ	417351!	84714	MCCOR	472082	847799	WHITE	415458!
84632	MCCOR	7018N=	84674	MCCOR	5113	84715	FITZ	417355!	84780	FITZ	80313
84633	FITZ	471466!	84674	MCCOR	7721!	84715	FITZ	485497	84781	FITZ	472397!
84633	MCCOR	472397!	84675	FITZ	417621!	84715	MCCOR	332062	84783	FITZ	6090S
84634	FITZ	410694!	84675	MCCOR	5573	84715S	FITZ	417355!	84784	FITZ	450398
84635	FITZ	473228	84676	MCCOR	473235	84715S	FITZ	485497	84784	FITZ	471267!
84635	MCCOR	473466	84676S	WHITE	JV701	84716	MCCOR	8804S=	84786	FITZ	470954!
84636	FITZ	472409!	84676S	FITZ	471344	84716S	FITZ	472164	84787	FITZ	471281!
84636	MCCOR	471138!	84677	FITZ	471571	84717	FITZ	474255	84788	FITZ	450143
84638	FITZ	473214	84677	MCCOR	9150S	84717	MCCOR	472409	84789	FITZ	6612S
84639	MCCOR	50266	84678	FITZ	415991	84718	FITZ	470712!	847899	GW	473444
8463LPD	JN-MN	471554!	84678	FITZ	455146!	84718	MCCOR	8610	8478LPD	JN-MN	415284
8463LUP	JN-MN	471554!	84678	MCCOR	205044	84719	FITZ	473227	8478LUP	JN-MN	415284
84640	FITZ	472179	84679	FITZ	416271!	84719	MCCOR	8594S	84790	FITZ	473231!
84641	FITZ	472185!	84680	FITZ	411376!	8471A	C-R	417316!	84791	FITZ	471413!
84641	MCCOR	473464	84680	MCCOR	205015	84721	MCCOR	470487!	84792	FITZ	415187
84642	FITZ	483054N	84681	FITZ	416892	84722	FITZ	472144!	84793	FITZ	416339
84643	FITZ	473232	84681	MCCOR	450639	84722	MCCOR	473179	84793	FITZ	455031!
84643	MCCOR	415449!	84682	FITZ	416070	84723	MCCOR	472082	84794	FITZ	416332!
84644	FITZ	471765!	84683	FITZ	416664!	84724	FITZ	370002A	84795	FITZ	415991
84644	MCCOR	451469	84683	MCCOR	413248	84725	FITZ	6532S=	84795	FITZ	415991!

! Industrial Size/Type * Minor Width Difference

= The U.S. customer service number is 877-4-TIMKEN. The Canadian customer service numbers are 800-565-4927 (English) and 800-565-0438 (French-Canadian).

Mfr. No.	Name	Zero Duplication or Recommended Industrial	Mfr. No.	Name	Zero Duplication or Recommended Industrial	Mfr. No.	Name	Zero Duplication or Recommended Industrial	Mfr. No.	Name	Zero Duplication or Recommended Industrial
84796	FITZ	471472!	8487M1	C-R	416239!	84971S	FITZ	7338N	850185M1	MASSE	472015!
84797	FITZ	471787!	84881	FITZ	473463	84972S	FITZ	415449	850189	GWJ	415351!
84798	FITZ	416229	84882K	FITZ	5458	84974S	FITZ	350936	8501LPD	JN-MN	417198*
8479C	SUL	411253!	848841	WHITE	471554!	84975	FITZ	350936	8501LUP	JN-MN	417198
848	EATON	417505	84885S	FITZ	470774!	84975S	FITZ	350936	85020	C-R	417604
84803	FITZ	450269	84886S	FITZ	6966S	84976S	FITZ	474260	85021	C-R	417604*
84804	FITZ	471526!	84887S	FITZ	6241S	84979S	FITZ	472354!	850225M1	MASSE	471785!
84805	FITZ	480630	84888S	FITZ	7600S	8497LPD	JN-MN	455655!*	850234	GWJ	415960!
84806K	FITZ	5410	848890	WHITE	476838!	8497LUP	JN-MN	455655!	850237C92	IH	473367
84807	FITZ	350364	84889S	FITZ	471827	84980	FITZ	7934S	850237C92	IH	473367!
84808S	FITZ	471103!	84890S	FITZ	470898!	84982S	FITZ	331301N	850238C92	IH	473445=
84809	FITZ	450273	84891	FITZ	3103!	84984	FITZ	470712	85029S	FITZ	5111
84810S	FITZ	6626S	84892	FITZ	415442!	84985	FITZ	455189	85029S	FITZ	5111S
84811	FITZ	472150	84892	FITZ	55442	84986S	FITZ	471821!	8502A	C-R	473447
84813	FITZ	471763	84893	FITZ	55199=	84987	FITZ	7607	8502LPD	JN-MN	55030*
84814	FITZ	417205!	84894	FITZ	417350!	84988	FITZ	5113	8502LUP	JN-MN	55030
84815S	FITZ	416297	84895	FITZ	6864S	84988	FITZ	7721!	85030S	FITZ	472082
84816	FITZ	472636!	84896	FITZ	6785	84989S	FITZ	203008	850315	GWJ	417205!
84817	FITZ	472164!	84897	FITZ	6930	84990S	FITZ	470898!	850316	GWJ	417247!
848178	WHITE	480630!	84898	FITZ	9568	84992	FITZ	416273!	850333M1	MASSE	200354
84819	FITZ	473228!	848984	WHITE	417563	849935	WHITE	417262!	8503LPD	JN-MN	415263
84820S	FITZ	412473!	84899	FITZ	6985	84993S	FITZ	6241S	8503LUP	JN-MN	415263
848214	WHITE	412943	848BM7-Q6	C-R	416239!	84994S	FITZ	7886S	85040S	FITZ	5111
848225	WHITE	417596	849	EATON	370023A	84995	FITZ	41257!	85040S	FITZ	5111S
84823S	FITZ	6754S=	84900S	FITZ	5589	84997	FITZ	7994S	85048S	FITZ	3945
84826S	FITZ	240470	84904	FITZ	340356	84998S	FITZ	9150S	8504LPD	JN-MN	417506
84827S	FITZ	6760S	84906S	FITZ	473234!	84999	FITZ	8139	8504LUP	JN-MN	417506
84828S	FITZ	6597S	84907S	FITZ	6952S=	84G15	OSHKO	416288!	8505	C-R	22X31X6
84829S	FITZ	240736	84909	FITZ	410987=	84GT7A248A3A	FORD	2658	85050S	FITZ	5390
84831K	FITZ	5452	84914	FITZ	473228	84GX15	OSHKO	416288!	85051S	FITZ	415483
84833	CATER	J1128	84916	FITZ	6960	850	EATON	370036A	850567	CLARK	50199S!
84834	FITZ	417485	84918	FITZ	205017	850	EATON	370349A	850567	CLARK	6863S!
84835S	FITZ	470530!	84919	FITZ	473317	85000	FITZ	291295	85059S	FITZ	5112
84836	FITZ	6781	84921S	FITZ	7686S	8500058	CYCLO	474274=	85059S	FITZ	5112S
84837S	FITZ	415449!	84922	FITZ	470487!	8500058	GR-DV	474274=	8505LPD	JN-MN	415007*
84838S	FITZ	417134	84923	FITZ	44053	8500059	CYCLO	410825	8505LUP	JN-MN	415007
84839	FITZ	455614	84924	FITZ	6954S	8500060	CYCLO	416273	85063S	FITZ	5112
848396	WHITE	415449!	84925S	FITZ	473231!	8500061	CYCLO	470898	85063S	FITZ	5112S
8483LPD	JN-MN	417181!	84927	FITZ	3103!	8500062	CYCLO	473474	8506LPD	JN-MN	417488!
8483LUP	JN-MN	417181!	84927S	FITZ	415449	8500063	CYCLO	415483	8507	C-R	416239!
8484	C-R	473415	84928S	FITZ	471195!	8500064	CYCLO	417349	8507	CABOT	416239!
84840	FITZ	417269!	84929S	FITZ	5072	8500065	CYCLO	416332!	8507	MINMA	416239!
84841	FITZ	415060	8493052	GMC	415984!	8500066	CYCLO	411160N=	85070	C-R	417604
84841	FITZ	455060	84931	FITZ	7107A=	8500068	CYCLO	476470	85071	C-R	417604
84842	FITZ	417353!	84932	FITZ	5126	8500068	CYCLO	476470!	850716	C-R	415867
84843	FITZ	455022	84933	FITZ	7216	8500072	CYCLO	471651=	85079	AM WH	473245!
84844	FITZ	415196!	84935S	FITZ	321460	8500078	CYCLO	470954!	8507LPD	JN-MN	417488!
84846	FITZ	415711	84936S	FITZ	203006!	8500079	CYCLO	471224!	8507LUP	JN-MN	417488!
84847	FITZ	415394	84937	FITZ	5499=	850002S	FITZ	471827	8507M1	C-R	416239!
84848	FITZ	455625=	84937K	FITZ	5499=	850003S	FITZ	482253	8508	C-R	22X31X8!*
84849	FITZ	455134!	84938	FITZ	7044NA	85005	C-R	417603!	8508	C-R	22X32X7V!
8485	C-R	473415	84939	AM WH	470059	850050	CLARK	471567!	85080	C-R	417604*
84850	FITZ	417537	84939	AM WH	470380!	85006	C-R	417603!	85081044	WARNE	473245!
84851	FITZ	415350	84939S	FITZ	5092	850078	CYCLO	470954!	850812	CLARK	473467!
84852	FITZ	417344!	8493LPD	JN-MN	471138!	85009	C-R	471603!	85085	C-R	416394
84853	FITZ	415064	84940S	FITZ	413246	850105	CLARK	412473!	8508LPD	JN-MN	455820
84856	FITZ	473234!	84941S	FITZ	3095	850109M1	MASSE	470712!	8508LUP	JN-MN	455820
8485LPD	JN-MN	471649!	84942	FITZ	410708	85011S	FITZ	5337	85090	C-R	416394
8485LUP	JN-MN	471649!	84945S	FITZ	473237	85012	C-R	417603=	8509LPD	JN-MN	417172*
84860	FITZ	6818	84947S	FITZ	7456N	8501238	CYCLO	471413!	8509LUP	JN-MN	417172
84862	FITZ	6815	8494LPD	JN-MN	471138!	8501239	CYCLO	471571	851	EATON	370065A
848629	WHITE	417621!	8494LUP	JN-MN	471138!	8501240	CYCLO	473231!	8510	C-R	222210
84863	FITZ	471795	84950	FITZ	451182	8501240	GR-DV	473231=	8510	C-R	22X32X7!
84864	FITZ	6840S	849502	WHITE	417171!	8501241	CYCLO	472397!	8510	JAC	470954!
84865	FITZ	6985	849505	WHITE	5471	85012S	FITZ	5092	8510LUP	JN-MN	473453
84869S	FITZ	6855N=	84958	FITZ	410708	85013S	FITZ	472082	8511513C	HARWA	85X115X13
84871	FITZ	415960!	8495LPD	JN-MN	415254	85014	C-R	417604	8513	C-R	22X35X7*
84873S	FITZ	473179	8495LUP	JN-MN	415254	85015	C-R	417604	851350M1	MASSE	40401
84875	FITZ	41081S=	8496	C-R	482069N	85015S	FITZ	332062	85137	NATL	7208S
84877S	FITZ	416271!	84968	FITZ	205044	85016S	FITZ	8804S=	8515	C-R	22X35X7
84878S	FITZ	451078!	8496LPD	JN-MN	410496!	85017S	CLARK	450446	851522	WHITE	472560N!
84879	FITZ	410308	8496LUP	JN-MN	410496!	85017S	FITZ	9613S	8516	C-R	222220

! Industrial Size/Type * Minor Width Difference

= The U.S. customer service number is 877-4-TIMKEN. The Canadian customer service numbers are 800-565-4927 (English) and 800-565-0438 (French-Canadian).

Mfr. No.	Name	Zero Duplication or Recommended Industrial	Mfr. No.	Name	Zero Duplication or Recommended Industrial	Mfr. No.	Name	Zero Duplication or Recommended Industrial	Mfr. No.	Name	Zero Duplication or Recommended Industrial
8516 C-R	22X35X7!		8548983	RENAU	3771	855023023	BU-SP	473467!	855026006	BU-SP	416107!
8516 C-R	22X35X7V!		854945	WHITE	415960	855023024	BU-SP	415449!	855026006	BU-SP	455073
851634	WHITE	416654	854D1	DIA	450073	855023025	BU-SP	417486	855026007	BU-SP	416107!
85165	GW	473462	854D1	WHITE	450073	855023026	BU-SP	472924!	855026010	BU-SP	416107!
8517 C-R	22X35X7		855	EATON	370124A	855023027	BU-SP	412119!	855026011	BU-SP	417556
85174	MCCOR	470354	8550	C-R	222240	855023028	BU-SP	473473	855026012	BU-SP	416666
851771	WHITE	471231!	8550	C-R	22X40X7!	855023029	BU-SP	55469	855027000	BU-SP	417298
8517A	C-R	415960!	855021003	BU-SP	471267!	855023030	BU-SP	471271!	855027001	BU-SP	55692=
85181S	FITZ	472341!	855022000	BU-SP	471192	855023031	BU-SP	470530!	855027002	BU-SP	417562
85182S	FITZ	3698	855022001	BU-SP	470625!	855023033	BU-SP	415302	855027003	BU-SP	415072
85182S	FITZ	5092	8550220010	BU-SP	472394	855023034	BU-SP	473471	855027004	BU-SP	417596
8519 C-R	222210		8550220011	BU-SP	471224!	855023035	BU-SP	417484!	855028000	BU-SP	415867
85191A	C-R	471413	8550220012	BU-SP	472144!	855023036	BU-SP	415001!	855028001	BU-SP	415867
85195S	FITZ	5576	855022002	BU-SP	473228	855023037	BU-SP	417344!	855028002	BU-SP	415116
85196S	FITZ	5414	855022004	BU-SP	472439	855023038	BU-SP	411348!	855028003	BU-SP	415867
85197S	FITZ	5115	855022005	BU-SP	473197	855023039	BU-SP	415483!	855028004	BU-SP	455406!
85199S	FITZ	473573	855022007	BU-SP	471766!	855023040	BU-SP	416271!	855028005	BU-SP	415551
8519H	SPG	473179	855022008	BU-SP	471192	855023041	BU-SP	472492!	855028006	BU-SP	415551
852	EATON	415058	855022009	BU-SP	472185!	855023042	BU-SP	472397!	855028007	BU-SP	415867
8520	C-R	22X36X7	855022010	BU-SP	472394	855023043	BU-SP	417480!	855028008	BU-SP	415867
85200S	FITZ	3394	855022011	BU-SP	471224!	855023044	BU-SP	40401	855028009	BU-SP	416239!
85201S	FITZ	473560N	855022012	BU-SP	472144!	855023045	BU-SP	473467!	855028010	BU-SP	416239!
85202S	FITZ	3103!	855022013	BU-SP	471652	855023046	BU-SP	472409!	855029001	BU-SP	415128
85203S	FITZ	2955	855022013	BU-SP	482208!	855024000	BU-SP	55309=	855029003	BU-SP	55222=
85204S	FITZ	3095	855022014	BU-SP	471766!	855024001	BU-SP	415991	855029005	BU-SP	415482
852052	WHITE	471224!	855022015	BU-SP	470625!	855024002	BU-SP	415991	855029006	BU-SP	55222=
85205S	FITZ	5108	855022016	BU-SP	471224!	855024002	BU-SP	455146!	855029007	BU-SP	415482
85208A	WHITE	450073	855022017	BU-SP	471192	855024003	BU-SP	415991	855029011	BU-SP	455462
852172	GW	472157!	855022018	BU-SP	472394	855024004	BU-SP	415995!	855029013	BU-SP	415482
852172	GW	472157	855022019	BU-SP	7216	855024005	BU-SP	415379	855029014	BU-SP	55301S
8522	C-R	222220	855022020	BU-SP	5711	855024006	BU-SP	415379	855048	WHITE	473467!
85221	AM WH	471646!	855022021	BU-SP	473238	855024006	BU-SP	415379!	855049	WHITE	471192
852482	WHITE	50199S!	855022022	BU-SP	472164!	855024008	BU-SP	415379	855054	WHITE	411245!
852482	WHITE	6863S!	855022023	BU-SP	473228	855024009	BU-SP	415995!	8551	C-R	22X40X7
8527160	FAIRB	471571	855022024	BU-SP	472439	855024010	BU-SP	476470	8552	C-R	22X40X7V
852722	WHITE	417254	855022025	BU-SP	471141!	855024011	BU-SP	412473!	855488	CLARK	450269
852723	WHITE	JV701	855022026	BU-SP	472144!	855024013	BU-SP	415937!	8555	C-R	22X42X10
85274	HOUGH	412119!	855022027	BU-SP	451817	855024014	BU-SP	417351!	8556	C-R	22X42X10
853	EATON	370037A	855022028	BU-SP	470625!	855024015	BU-SP	456105	855657	CLARK	471570!
853	EATON	370338A	855022029	BU-SP	470625!	855024016	BU-SP	418028	85571	WAUKE	473205
8530	C-R	22X37X7	855022030	BU-SP	473228	855024016	BU-SP	455137!	8558	C-R	222240
85305	WITTE	472012	855022031	BU-SP	473445	855024017	BU-SP	417349	8558	C-R	22X40X7V!
853090	WHITE	471442!	855022032	BU-SP	470682	855024018	BU-SP	416624!	856	EATON	416892
853170	FIAT	224040	855022033	BU-SP	471750!	855024019	BU-SP	7208S	8560	C-R	22X45X7
853170	FIAT	40X60X10!	855022034	BU-SP	473452	855024021	BU-SP	455178=	8561	C-R	222267
8532S	SPG	370048A	855022035	BU-SP	471141!	855024022	BU-SP	417598	8562	C-R	22X42X10
853391	CLARK	474278!	855022036	BU-SP	472185!	855024023	BU-SP	415995!	856227	CHRY	471316
85358A	HYST	5593=	855022038	BU-SP	471984	855024024	BU-SP	415559	8563	C-R	22X45X7
853716	CLARK	450173	855022039	BU-SP	5778	855024025	BU-SP	415379!	85641	WAUKE	330385!
85375	EATON	92405	855022040	BU-SP	471192	855024025	BU-SP	415379	856798	GW	416892!
853D6	DIA	455858	855022041	BU-SP	470625!	855024026	BU-SP	417191	8568	C-R	22X47X7
853D6	WHITE	455858	855023000	BU-SP	472636!	855024026	BU-SP	455165!	856811	WHITE	416404!
854	EATON	370019A	855023001	BU-SP	411394!	855024027	BU-SP	417621!	856821	WHITE	471224!
8540	C-R	22X38X7!	855023002	BU-SP	417316!	855024029	BU-SP	476470	857	EATON	370131A
8540	C-R	22X38X8	855023003	BU-SP	473466	855024030	BU-SP	417210!	8570	C-R	222270
85404	NATL	200642	855023004	BU-SP	415007	855024031	BU-SP	416125!	8570	C-R	22X47X7!
854090	WHITE	415437	855023005	BU-SP	470898	855025000	BU-SP	415138!	857031	CLARK	480630!
854091	WHITE	416339	855023007	BU-SP	455005	855025001	BU-SP	416888!	857112	CLARK	416158
854091	WHITE	455031!	855023008	BU-SP	471341!	855025003	BU-SP	415196!	8573	C-R	22X47X7
8541	C-R	22X38X7V	855023009	BU-SP	470530!	855025006	BU-SP	415064	857317	CLARK	471765!
854276	WHITE	472179	855023011	BU-SP	417485	855025007	BU-SP	472157	85778	CUMMI	472164!
8542A	C-R	471649!	855023012	BU-SP	473464	855025007	BU-SP	472157!	85778	OLIVE	472185!
8545	C-R	222238	855023013	BU-SP	415007	855025008	BU-SP	416892!	857824	WHITE	370006A
8545	C-R	22X38X8!	855023014	BU-SP	473466	855025009	BU-SP	455197N	85785	CUMMI	472409!
85452	GRAM	471827	855023015	BU-SP	417316!	855026000	BU-SP	417254	85785	OLIVE	472409!
854580	GW	472157	855023016	BU-SP	472636!	855026001	BU-SP	415725!	8579	FULLE	472319
854580	GW	472157!	855023017	BU-SP	415303!	855026002	BU-SP	415645!	858	EATON	370021A
854581	GW	416657	855023018	BU-SP	412861	855026002	BU-SP	455104	8580	C-R	22X50X8
854761	CLARK	470354	855023019	BU-SP	472636!	855026003	BU-SP	416865!	85805	GRAM	473467
854889S	RENAU	35X50X8!	855023021	BU-SP	415449!	855026004	BU-SP	415645!	8581A	C-R	472636!
854889S	RENAU	3771	855023022	BU-SP	411394!	855026004	BU-SP	455104	858286	CLARK	471442!
8548983	RENAU	35X50X8!	855023022	KOEH	411394!	855026005	BU-SP	415938	8583	FULLE	473231!

! Industrial Size/Type

= The U.S. customer service number is 877-4-TIMKEN. The Canadian customer service numbers are 800-565-4927 (English) and 800-565-0438 (French-Canadian).

Mr. No.	Name	Zero Duplication or Recommended Industrial	Mr. No.	Name	Zero Duplication or Recommended Industrial	Mr. No.	Name	Zero Duplication or Recommended Industrial	Mr. No.	Name	Zero Duplication or Recommended Industrial	
858345	WHITE	370023A	86003	FITZ	415437!	8625892	GMC	473234	86504R91	IH	455008	
858358	WHITE	370036A	86004	FITZ	416125!	8625893	GMC	5208	865070R91	IH	411348!	
858358	WHITE	370349A	86006	FITZ	415137!	8625893	GMC	9449\$	8651	C-R	471267!	
858366	WHITE	HU019A	86006	FITZ	418028	86260	C-R	417567*	8652	C-R	471267!	
858367	WHITE	730009	86009	FITZ	6077	8626009	GMC	5208	8653	C-R	471267!	
858368	WHITE	AR10+370020A	8601	4686	MERCE	717005	8626009	GMC	9449\$	8654	C-R	471267!
858370	WHITE	HU019A	86010	FITZ	45637S	8626901	GMC	5208	8654491	GMC	3227	
858371	WHITE	730009	86011	FITZ	415025	8626912	AMC	473179	8655031	GMC	9449	
858372	WHITE	AR10+370020A	86012	EATON	927112	8626916	GMC	473179	8655032	GMC	2457	
858375	WHITE	370023A	86013	EATON	927113	8627	C-R	254287!	8655122	GMC	473179	
858379	WHITE	HU013A	8601478	GMC	412871!	8627	C-R	7840S	8657	C-R	471267!	
858380	WHITE	733067	860264R91	IH	40566S	8627145	GMC	2457	8657163	GMC	8792S	
858381	WHITE	HU024A	860313R91	IH	40566S	8628054	GMC	3227	8658	C-R	471267!	
858382	WHITE	730004	8603362	GMC	471442!	8629	C-R	7014S	8659	C-R	471267!	
858383	WHITE	370001A	860419	WHITE	415995!	8629	STN-S	471766!	8660	C-R	471267!	
858386	WHITE	730016	8604M	BRAD	472164!	8629A	C-R	471159	8661	C-R	471267!	
858387	WHITE	HU042A	86055	C-R	J1112	8630	STN-S	473228	86614	C-R	220X250X15	
858388	WHITE	730016	860594	WHITE	416956	8630921	GMC	3227	86615	C-R	220X250X15	
858389	WHITE	HU036A	860594A3	DIA	416956	8631156	GMC	3543	8661602	GMC	4598	
858390	WHITE	730003	8606M	BRAD	471466!	8631158	GMC	3583	8662	C-R	471267!*	
8583AB	CASE	415458!	86081	C-R	JV1210=	863154	CLARK	473467!	8662A	C-R	473367	
858402	WHITE	730010	861	EATON	370003A	8631590	GMC	240385	8663	C-R	471267!*	
85854	WAUKE	352541	86105	PUL	HU013A	8631950	GMC	3583	8664	C-R	471267!	
8587	CHERY	416107!	86106	PUL	HU009A	8631950	GMC	4072N	8664812	GMC	4072N	
8587	CHERY	455073	8610R	SPG	718610	8632	C-R	7014S	8665	C-R	471267	
858701	CLARK	450188	8610RAR	SPG	718610	8633	C-R	254287	8665542	GMC	8611N	
85884	WHELA	415645!	8612	C-R	340850	863490	WHITE	455480!	86657J	DIA	417344!	
85884	WHELA	455104	8612229	GMC	9613S	8636A	C-R	470050	8666007	GMC	3543	
858848	WHITE	5494	8612234	GMC	450285	8637	C-R	340413	8667	C-R	471267!	
858849	WHITE	370007A	8613	HYST	471255!	86374	C-R	416077	86684M	DIA	416654!	
858849	WHITE	7866S	8614102	GMC	473234	86374	GR-DV	416077	86689M	IH	470712!	
858872	WHITE	471413	861484	CLARK	415196!	86374M1	C-R	416077	86690	IH	472185!	
859	EATON	386025A	8615094	GMC	473234	8637569	GMC	340849	866964	BENDI	200642	
859	EATON	416158	861513650	SOLAR	471647	863767	WHITE	730010	867	HOLT	6701=	
859056	WHITE	415960	861546	WHITE	370023A	8637906	GMC	4072N	8670	C-R	471267!	
859059	WHITE	455032!	861546	WHITE	6864S	8638	HYST	471567!	86702	HOUGH	417269!	
859060	WHITE	416892!	8615885	GMC	417158!	8639	HYST	471570!	8670218	HOUGH	417269!	
859063	WHITE	417172	8616280	GM	411	863916	WHITE	474276	8670218	IH	417269!	
859064	WHITE	415437	8616588	GMC	473234!	864	CEW	224220	8670283	GMC	473179	
859064	WHITE	415437!	8617869	GMC	473234	864	CEW	42X56X7!	8671	C-R	471267!*	
859164	CHRYIS	6241S	8618478	GMC	7018N=	864	CEW	494117	867167	CLARK	471442!	
85927R91	IH	340413	8618479	GMC	7018N=	8640345	GMC	473179	8672	C-R	471267!*	
85928R91	IH	240414	8618697	GMC	450725N=	8641	C-R	340413	867205	CLARK	416271!	
859393	GW	472164!	8618702	GMC	473234	8641300	GMC	473179	867279	WHITE	470954!	
85964	EATON	904087	8618702	WILYS	473234	8641826	GMC	473179	867285	WHITE	471570!	
85965	EATON	904072	8619560	GMC	7442H	8641878	GMC	473179	8673	C-R	471267!	
859984	WHITE	370001A	8619867	GMC	342805	8641904	GMC	473179	867335	WHITE	417433	
859985	WHITE	370001A	8620	C-R	240733	8641952	GMC	473179	8673526	GMC	4583	
859995	WHITE	730001	862051	WHITE	40094S	864317	WHITE	410825	867367	WHITE	416364!	
859997	WHITE	730027	862052	WHITE	40097S	864319	GW	472144!	867385	WHITE	415458!	
859998	WHITE	730008	86208C	DIA	6635S	864321	GW	415007	867385A	DIA	415458!	
859999	WHITE	730017	8621	HYST	472397!	864324	GW	416865!	8674	C-R	471267!	
859D6	WHITE	456618	86213	AT SU	292594	8643792	GMC	4072N	8675730	GMC	9449	
85X105X10SC	TRSCM	85X105X10!	8621767	GMC	342805	8643931	GMC	5690	8675731	GMC	2457	
85X105X10TC	TRSCM	85X105X10!	8622268	GMC	7442H	8643935	GMC	3459	8676	C-R	471267!	
85X105X13SC	TRSCM	85X105X13	862283	WHITE	470565!	8644	C-R	353132	867633	CLARK	55358=	
85X105X13TC	TRSCM	85X105X13	8623056	GMC	8792S	864403	WHITE	476574N	8677	C-R	440131!	
85X110X10	ISP	85X110X10	8623743	GMC	9449	8644637	GMC	4150N	867703	WHITE	415988	
85X110X12SC	TRSCM	85X110X12	8623789	GMC	473179	8644637	GMC	710096	8677463	GMC	4333N	
85X110X12TC	TRSCM	85X110X12	8623789	WILYS	473179	8644709	GMC	8792S	8677554	GMC	4674N	
85X115X13	SIMRT	85X115X13	8624	C-R	254287!	8645	C-R	340413	8677749	GMC	224840	
85X115X13AN	ISP	85X115X13	8624117	AMC	411500	8645003	GMC	340847	8678	C-R	471267!	
85X120X12SC	TRSCM	85X120X12	8624117	GMC	411500	864530R91	IH	471442!	86783	WHITE	471689!	
85X120X12TC	TRSCM	85X120X12	8624117	WILYS	411500	8646	C-R	471267!	867887R91	IH	471466!	
85X130X13SC	TRSCM	85X130X13	8625	C-R	5976S	864643	C92	IH	867888R91	IH	473229	
85X130X13TC	TRSCM	85X130X13	8625	CHERY	417967!	864743	C92	IH	8679	C-R	471267!	
86-374A	BUC-E	416077	862500	WHITE	HU009A	864784	C91	IH	8679679	GMC	714679	
860	EATON	370005A	862501	WHITE	733067	8648	C-R	471267	8679744	GMC	710096	
86000	FITZ	415437	8625571	GMC	473179	8648394	GMC	3227	8680	C-R	471267!	
86001	FITZ	7208S	862570	WHITE	415458!	8649	C-R	353132	8680	CHERY	471192	
860022	WHITE	474278!	862571	WHITE	473447	86496	GRAM	472409!	8680134	KOEH	472179	
86003	FITZ	415437	8625757	GMC	9449	8650	C-R	471267!	8680152	KOEH	471808!	

! Industrial Size/Type * Minor Width Difference \$F-M Number Is Part Of A Kit
 = The U.S. customer service number is 877-4-TIMKEN. The Canadian customer service numbers are 800-565-4927 (English) and 800-565-0438 (French-Canadian).

NUMERICAL INTERCHANGE

Mfr. No.	Name	Zero Duplication or Recommended Industrial	Mfr. No.	Name	Zero Duplication or Recommended Industrial	Mfr. No.	Name	Zero Duplication or Recommended Industrial	Mfr. No.	Name	Zero Duplication or Recommended Industrial
8680153	KOEH	471763	8714	C-R	472810!	87550	C-R	415128	88049S	MCCOR	417621!
8680309	KOEH	470898	871425	WHITE	416500	87551	C-R	415128*	8804LPD	JN-MN	455480!*
8680322	KOEH	471271!	871425A	WHITE	416500	875560	CLARK	470059	8804LUP	JN-MN	455480!
8680518	KOEH	417191	871425D5	DIA	416500=	875560	CLARK	470380!	88055	MCCOR	417181!
8680541	GMC	4072N	8715	C-R	471570!	8757	C-R	417564	8806	C-R	471646!
868137R91	IH	7013S	871601085	SOLAR	450398	87578	C-R	415116	880620C91	IH	417269!
868137R92	IH	7013S	871601085	SOLAR	471267!	87578M1	C-R	415116	88068	MCCOR	415988
8682	C-R	471267!	871699004	SOLAR	470380!	876	NATL	G753	88068S	MCCOR	415988
868251	WHITE	6886S	871699046	SOLAR	471407	8760A	C-R	471224!	88070	MCCOR	415254
868276	WHITE	416921!	871699047	SOLAR	471413!	876235R91	IH	416130!	88072	MCCOR	455008
868287	CLARK	473467!	871699052	SOLAR	471619!	8763	C-R	350877	88076	MCCOR	415007
8683	C-R	471267!	871699156	SOLAR	474274	8763	C-R	471633	88079	MCCOR	415960
8684	C-R	471267!	871699330	SOLAR	471643!	8764886	CONTI	474255	88083	MCCOR	455280
8685	C-R	471267!	871699348	SOLAR	471571	8764948	CONTI	G7234=	88084	MCCOR	416654!
8685111	GMC	224840	8717	C-R	471570!	8764A	C-R	410496!	88085	MCCOR	455151
8685515	GMC	4072N	87181	AM WH	412119!	8765	C-R	471633!*	88088	MCCOR	415995!
8686	PUL	B300	8719	C-R	471570!	876506R91	IH	471538!	8808LPD	JN-MN	417513
8686903	CONTI	472843	871951	WHITE	200642	87656	HYST	415449	8808LUP	JN-MN	417513
868695R91	IH	451948	87199	AM WH	455026	8766	C-R	471633!	88090	MCCOR	5921
868860R92	IH	HU024A	8720	C-R	471570!	876750	WHITE	100495	88092	MCCOR	417316!
868861R1	IH	730004	8720035	BOWEN	415645!	876750	WHITE	417349	88093	MCCOR	417484!
8690	C-R	712270	8720035	BOWEN	455104	8772	C-R	471633!	88093S	MCCOR	417484!
8691	C-R	712270	8720316	GMC	340823	8773	C-R	471646!	88094	MCCOR	417344!
8691260	ACF	415035	8721	C-R	471570!	8774	C-R	471646!	88095	MCCOR	417159
8691260	ACF	415035!	872164	WHITE	471224!	8777	NATL	9569S	88096	MCCOR	417159
8691268	ACF	471271!	8722125045	HUB-C	471516!	8777	SPG	9569S	88097	MCCOR	415458!
869235	WHITE	416297	8724S	SPG	7131	8779	C-R	471646!	8809LPD	JN-MN	415045!
869264	WHITE	410308	8725	C-R	471570!	8779S	CROWN	471554!	8809LUP	JN-MN	415045!
869550	IH	417356!	8727	C-R	471570!	8780	C-R	471646!	88101	MCCOR	455151
869550	IH	455188	872797	WHITE	415854	8780	HYST	416288!	88102	MCCOR	416654
8696	C-R	471570!*	872927	CLARK	474272!	87804	HYST	7042S	88103	MCCOR	416273!
86960	GRAM	50402	872E-10	CLARK	473473	878155	WHITE	471553!	88104	MCCOR	417485
86964	WHITE	410308	8731	HYST	473232	878163	WHITE	471765!	88105	MCCOR	415458!
8697	C-R	471570!	873157R91	IH	471341!	8782	C-R	471646!	88107	MCCOR	415001!
86978	GRAM	471224!	873158R91	IH	471341!	878346	WHITE	476470	8810LPD	JN-MN	416137*
86HM6700A6A	FORD	3774	873190	WHITE	417316!	878349	WHITE	415991	8810LUP	JN-MN	416137
86HM6701A1A	FORD	473573	873190A	WHITE	417316!	878349	WHITE	415991!	8811010A	HARWA	88X110X12
86SM6700A6A	FORD	3771	873448	WHITE	415750	8784	C-R	471646!	88111	MCCOR	3210
86SM6701A6A	FORD	3772	87355	HYST	415995!	8785	C-R	471646!	88115	MCCOR	5971
86TM6701A1A	FORD	473573	87355	HYST	415995!	8785A	F-R-H	416921!	88117	MCCOR	415899N
8700	C-R	471570!	873637	FIAT	223535	8786A	F-R-H	415138!	88117	MCCOR	416624
870061	WHITE	470954	87365	GRAM	473463	8787	C-R	471646!	88118	MCCOR	6074
870080	WHITE	470954!	87378	HYST	416229	8787A	F-R-H	416888!	8811LPD	JN-MN	415064
8702	C-R	471570!	87379	HYST	473367	8788A	F-R-H	417563	8811LUP	JN-MN	415064
870217	WHITE	471737	873793	WHITE	471224!	8789A	F-R-H	416666	88121	MCCOR	417344!
870224	WHITE	471795	87380	HYST	473232!	879573	WHITE	471141!	88122	MCCOR	415960
870224B1	DIA	471795	87381	HYST	472394	879579	WHITE	471466!	88122S	MCCOR	415960!
870224D1	DIA	471795	87382	HYST	416404!	8796	C-R	471646!	88123	MCCOR	415995!
8703	C-R	471570*	873837	WHITE	413248	8797	C-R	471646!	88126	MCCOR	417351!
870349	WHITE	473179	8741	C-R	471570!	879981	BENDI	350909	88128	MCCOR	417492
8704	C-R	471570	8741	HYST	470380!	879981	BENDI	471224!	88129	MCCOR	417316!
870453	WHITE	471224!	8741225028	HUB-C	471224!	88000	MCCOR	471413	88130	MCCOR	415960
870485C91	IH	370030A	8741225036	HUB-C	471224!	88001	MCCOR	417073	88133	MCCOR	45013S
8705	C-R	471570!*	8742125009	HUB-C	472164!	88002	MCCOR	415001!	88135	MCCOR	474272
87055S94	FORD	421	8742125026	HUB-C	473197	88011	MCCOR	5797	88136	MCCOR	455005
8706	C-R	471570!*	8742125027	HUB-C	470390	88017	MCCOR	455336	88137	MCCOR	417344!
87061S94	FORD	427RR	8742125045	HUB-C	471516!	8801LPD	JN-MN	417539!*	88137S	MCCOR	417344!
8707	C-R	471570	8745	C-R	471570!	8801LUP	JN-MN	417539!	88138	MCCOR	455008
87074	AMC	470530!	87467	BENDI	240816	8802	C-R	240215	88139	MCCOR	416921!
8708	C-R	471570!	874768	BENDI	340797	88023	MCCOR	455310	88140	MCCOR	417487
870889C91	IH	370048A	8748	C-R	471570!	88025	MCCOR	5965	88141	MCCOR	455015
870890C91	IH	370048A	8748	HYST	471264!	88026	MCCOR	418028	88142	MCCOR	456105
8709	C-R	471570!	87480	C-R	486642* =	88026	MCCOR	455137!	88143	MCCOR	415085!
8710	C-R	471570!*	8748919	WILYS	471224!	88028	MCCOR	415137!	88143	MCCOR	456648
8711	C-R	471570!	8749999008	HUB-C	J1103	88028	MCCOR	418028	88144	MCCOR	417487
8711329	CHRYSL	340771	875	UNIVE	350435*	88029	MCCOR	416288!	88145	MCCOR	416282
8712	C-R	471570!	8752	DICO	203013	88035	HYST	470954!	88146	MCCOR	417172
871239R91	IH	471787	875242	WHITE	415458!	88045	MCCOR	475348N	881467	WHITE	412027
871240R91	IH	471787	87535	C-R	415128	88046	MCCOR	417487!	88147	MCCOR	415991
871275	WHITE	471192	875380	C-R	455966	88046	MCCOR	417487	88147	MCCOR	455146!
871281R91	IH	40576S	87540	C-R	415128	88047	MCCOR	417171!	88148	MCCOR	417134
871303R91	IH	472560N	87541	C-R	415128*	88049	MCCOR	417621!	88149	MCCOR	417351!

! Industrial Size/Type * Minor Width Difference

= The U.S. customer service number is 877-4-TIMKEN. The Canadian customer service numbers are 800-565-4927 (English) and 800-565-0438 (French-Canadian).

Mr. No.	Name	Zero Duplication or Recommended Industrial	Mr. No.	Name	Zero Duplication or Recommended Industrial	Mr. No.	Name	Zero Duplication or Recommended Industrial	Mr. No.	Name	Zero Duplication or Recommended Industrial
881499	WHITE	415938	88224	MCCOR	417343!	88314	MCCOR	8429S	8873427	GMC	730004
8814LPD	JN-MN	471649!	8822A	C-R	472179	88319	EATON	370003A	8873428	GMC	.HU024A
8814LUP	JN-MN	471649!	8822LPD	JN-MN	417362!	8831LPD	JN-MN	471192	8873LPD	JN-MN	473245!
88150	MCCOR	55155=	8822LUP	JN-MN	417362!	8831LUP	JN-MN	471192	8873LUP	JN-MN	473245!
88151	MCCOR	417488!	88230	MCCOR	5M867	883238	WHITE	417134	8875	C-R	470645*
88152	MCCOR	412473!	88232	MCCOR	415995!	88326M	IH	411394!	8875081	GMC	410686N
88153	MCCOR	417492	88232	MCCOR	415995!	88327	EATON	370121A	8875LUP	JN-MN	416380!*
88154	MCCOR	417481	88233	MCCOR	5M559	88327M	IH	450090	88760	C-R	455129*
88155	MCCOR	412861	88235	MCCOR	417350!	88343	AM WH	417491	8876337	GMC	472179
88156	MCCOR	455253	88236	MCCOR	473010!	883552	WHITE	410737!	8877993	GMC	6864S
88157	MCCOR	415259!	88237	MCCOR	416444	883555	WHITE	5487	8878141	BENDI	470590
88158	MCCOR	455260	88238	MCCOR	455500	883557	WHITE	455858	8878142	BENDI	471785!
88159	MCCOR	417349	88239	MCCOR	418029!	8835LPD	JN-MN	417604	8880SSR	SPG	6638S
8815LUP	JN-MN	473233!	8823LPD	JN-MN	415871	8835LUP	JN-MN	417604	8881538	GMC	J1138
88160	MCCOR	417082	8823LUP	JN-MN	415871	8835S0	NATL	3983	8881555	GMC	415938
88161	MCCOR	415991	8824	C-R	470590	8835SCR	SPG	8835S	8881715	GMC	472015!
88161	MCCOR	455146!	88241	MCCOR	415442!	8838378	RCA	240435	8883	SPG	51322
88162	MCCOR	415984!	88241	MCCOR	55442	883865	WHITE	254287	8884561	GMC	470898
88163	MCCOR	417191	88242	MCCOR	417343!	883867	WHITE	456744N	8885	C-R	8348N=
88163	MCCOR	456585	88244	MCCOR	412473!	8838LPD	JN-MN	455336*	88870	GMC	473238!
88164	MCCOR	55337	88245	MCCOR	5MR1009	8838LUP	JN-MN	455336	888712	BUC-E	455117
88165	MCCOR	415991	88246	MCCOR	418028	883935M4	MASSE	1037	888712	C-R	455117
88165	MCCOR	455146!	88248	MCCOR	417316!	8841LPD	JN-MN	417191	888712M1	C-R	455117
88166	C-P	471466	88249	MCCOR	416292	8841LPD	JN-MN	456585	888774	WHITE	6644
88166	MCCOR	416404!	8824LPD	JN-MN	417606	8841LUP	JN-MN	417191	8887LPD	JN-MN	473448*
881661	WHITE	5487	8824LUP	JN-MN	417606	8841LUP	JN-MN	456585	8887LUP	JN-MN	473448
88167	C-P	340413	8825	C-R	470590	8842	C-R	471137*	88884A	HEIL	417316!
88175	MCCOR	417344!	88251	MCCOR	55276=	884299	WHITE	415483	88884A	HERCU	417316!
88176	HYST	415447	88252	MCCOR	416956	884439C91	IH	415072	8888S	SPG	9449
88177	MCCOR	416706	88253	MCCOR	417484!	884579	WHITE	417354!	888910	C-R	416657
8818	TMTR	330385	88257	MCCOR	415960	884581	WHITE	472179	889197	WHITE	471870!
88180	MCCOR	417316!	88258	MCCOR	412473!	884582	WHITE	415437	889246	WHITE	415995!
88180S	MCCOR	417316!	88259	MCCOR	6575S	8845SS	JN-MN	476470	88958818	GMC	415449
88183	MCCOR	416404!	8825LPD	JN-MN	417525	8846	C-R	471137	889736C91	HOUGH	476470
88184	MCCOR	455079!	8825LUP	JN-MN	417525	884615	BENDI	471267!	889736C91	HOUGH	476470!
88185	MCCOR	415082	8826	TEKNI	471766!	884634	SPICE	415023	889736C91	IH	476470
88186	MCCOR	415088	88260	MCCOR	417134	8848	C-R	471137	889737C91	IH	417134
88186	MCCOR	415088!	88262	MCCOR	6846S=	8849	C-R	471137	889738C91	HOUGH	417254
88187	MCCOR	455144	88264	MCCOR	6754S=	88526A	HEIL	471760	889738C91	IH	417254
88188	MCCOR	415350	88268	MCCOR	455566	88526A	HERCU	471760	889739C91	HOUGH	416041
88189	MCCOR	475384	8826LPD	JN-MN	417548*	885379	WHITE	6808N	889739C91	IH	416041
8819	C-R	470590*	8826LUP	JN-MN	417548	885387	WHITE	410987!	88973C91	IH	476470
88191	MCCOR	2081	88271	MCCOR	415995!	885543	WHITE	6547	88999R	JN-MN	473231
88192	MCCOR	6127	88272	MCCOR	417486	8855SS	JN-MN	471549!	88AX-420	MACK	370003A
88193	MCCOR	476470	88273	MCCOR	415234!	8856SS	JN-MN	473405	88AX1	MACK	473215!
88197	MCCOR	476470	88274	MCCOR	415458!	8857	C-R	471137	88AX10	MACK	476838!
88198	MCCOR	417343!	88275	MCCOR	415146!	8857LPD	JN-MN	416282	88AX100	MACK	417172
88199	MCCOR	410825	88275	MCCOR	415991	8857LUP	JN-MN	416282	88AX100P3	MACK	417172
88199M1	MASSE	415483!	88277	MCCOR	5M643	8858LPD	JN-MN	410102	88AX101	MACK	501995!
8819LPD	JN-MN	415090	88277S	MCCOR	410308	8860	C-R	471730	88AX101	MACK	6863S!
8819LUP	JN-MN	415090	88278	MCCOR	3103!	8860R	JN-MN	417247!	88AX102	MACK	473419!
8820	C-R	470590	88279	MCCOR	415857!	8861SS	JN-MN	473236!	88AX103	MACK	472015!
88202	MCCOR	417191	88280	MCCOR	6930	88643	HYST	410737!	88AX104	MACK	473213!
88203	MCCOR	46997S	88281	MCCOR	416706!	8864LPD	JN-MN	450474*	88AX109	MACK	415449!
88204	MCCOR	416294!	88283	MCCOR	415984!	8864LUP	JN-MN	450474	88AX11	MACK	470059
8820G	OSHKO	415001!	88286	MCCOR	345146	8865	C-R	471730	88AX11	MACK	470380!
8820LPD	JN-MN	471413!	88287	MCCOR	45825S	8865LPD	JN-MN	415001!	88AX110	MACK	AR12+370033A
8821	C-R	470590	88288	MCCOR	40401	8865LUP	JN-MN	415001!	88AX110P1	MACK	417356!
882125	WHITE	415449!	88292	MCCOR	417343!	8866	C-R	471730	88AX110P1	MACK	455188
88214	MCCOR	416706!	88293	MCCOR	417480!	8866A	C-R	474276!	88AX111	MACK	417196!
88217	MCCOR	415991	88294	MCCOR	415991	8868LPD	JN-MN	455462	88AX113	MACK	471553!
88217	MCCOR	415991!	88296R	JOHND	472287!	8868LUP	JN-MN	455462	88AX114	MACK	471570!
88218	MCCOR	415995!	88300	MCCOR	416500	886D6	WHITE	5951	88AX115	MACK	471689!
88218	MCCOR	415995!	88301	MCCOR	410825	8870	C-R	470645*	88AX116	MACK	474281!
88218	MCCOR	415995!	88303	MCCOR	417621!	88702	C-R	416557	88AX117	MACK	473462
8821LPD	JN-MN	415437!	88304	MCCOR	411348!	88710	C-R	416657*	88AX118	MACK	473367!
8821LPD	JN-MN	415437	88307	MCCOR	8976S	887140	WHITE	HU013A	88AX118	MACK	473367
8821LUP	JN-MN	415437	88308	MCCOR	418028	8871718	GMC	442380	88AX119	MACK	416738!
8821LUP	JN-MN	415437!	88309	MCCOR	8139	8871719	GMC	416273!	88AX119	MACK	450096
88221	MCCOR	5951	88310	MCCOR	7338N	8871720	GMC	416273!	88AX12	MACK	473426
88222	MCCOR	473214	88312	MCCOR	8370S	8873095	GMC	416654	88AX120	MACK	472016
88223	MCCOR	5578	88313	MCCOR	417316!	8873096	GMC	416654	88AX120P2	MACK	472016

! Industrial Size/Type * Minor Width Difference

= The U.S. customer service number is 877-4-TIMKEN. The Canadian customer service numbers are 800-565-4927 (English) and 800-565-0438 (French-Canadian).

NUMERICAL INTERCHANGE

Mfr. No.	Name	Zero Duplication or Recommended Industrial	Mfr. No.	Name	Zero Duplication or Recommended Industrial	Mfr. No.	Name	Zero Duplication or Recommended Industrial	Mfr. No.	Name	Zero Duplication or Recommended Industrial
88AX120P3	MACK	472016	88AX192	MACK	412119!	88AX259P2	MACK	415991!	88AX346P2	MACK	415960
88AX121	MACK	411253!	88AX193	MACK	415001!	88AX260	MACK	417495	88AX347P2	MACK	417621!
88AX122	MACK	415001!	88AX194	MACK	415995!	88AX260P1	MACK	417495	88AX348P2	MACK	415991!
88AX123	MACK	415082	88AX195	MACK	415025	88AX261P2	MACK	100494	88AX348P2	MACK	415991!
88AX124	MACK	455280	88AX196	MACK	415035	88AX261P2	MACK	476470!*	88AX349P3	MACK	240731
88AX125	MACK	415458!	88AX196	MACK	415035!	88AX263	MACK	471760	88AX350P3	MACK	343186
88AX126	MACK	415960	88AX197	MACK	415041	88AX266	MACK	455472=	88AX353	MACK	472924!
88AX128	MACK	417354!	88AX198	MACK	415960!	88AX267	MACK	472924!	88AX353P3	MACK	472924!
88AX129	MACK	415025	88AX198P2	MACK	415960!	88AX268	MACK	471271!	88AX354P2	MACK	416706
88AX13	MACK	417316!	88AX199	MACK	417298	88AX268P3	MACK	471271!	88AX355P2	MACK	415995!
88AX132	MACK	473426	88AX2	MACK	473458!	88AX269P3	MACK	471570!	88AX356P2	MACK	410102=
88AX133	MACK	417481	88AX20	MACK	415138!	88AX270	MACK	416865!	88AX357P2	MACK	472016
88AX134	MACK	417539!	88AX200	MACK	455253	88AX271	MACK	416664!	88AX358P2	MACK	412119
88AX135	MACK	417546!	88AX201	MACK	416239!	88AX272	MACK	415449!	88AX359P2	MACK	415001
88AX136	MACK	415483!	88AX202	MACK	415142	88AX272P2	MACK	415449	88AX360P2	MACK	415960!
88AX138	MACK	415036	88AX203	MACK	415064	88AX273	MACK	415867	88AX361P2	MACK	417621
88AX138P3	MACK	415036	88AX204	MACK	473245!	88AX274P2	MACK	418028!	88AX362P2	MACK	415146!
88AX13P3	MACK	417316!	88AX205	MACK	410987!	88AX275	MACK	417604	88AX362P2	MACK	415146N=
88AX14	MACK	450040	88AX206	MACK	415350	88AX278	MACK	416029N!	88AX362P2	MACK	415991
88AX144	MACK	415995!	88AX207	MACK	415196!	88AX28	MACK	450593!	88AX363P2	MACK	417079=
88AX145	MACK	473016!	88AX208	MACK	473435	88AX281	MACK	472012	88AX364P2	MACK	417158=
88AX146	MACK	471567!	88AX209	MACK	415960	88AX281P2	MACK	472012	88AX365P2	MACK	416921=
88AX147	MACK	5578 \$	88AX21	MACK	415351!	88AX282	MACK	471689!	88AX366P2	MACK	416404=
88AX147P2	MACK	5578 \$	88AX210	MACK	471689!	88AX282P2	MACK	471689!	88AX367P2	MACK	455566=
88AX149	MACK	417344!	88AX211	MACK	43086S	88AX282P3	MACK	471689!	88AX368P2	MACK	415389
88AX15	MACK	412119!	88AX212	MACK	415066	88AX286	MACK	6635S	88AX370P3	MACK	254270!
88AX150	MACK	456890	88AX214	MACK	416271!	88AX286P3	MACK	455861=	88AX371P2	MACK	417262=
88AX151	MACK	416921!	88AX215	MACK	416288!	88AX287	MACK	370003A	88AX372	MACK	416892
88AX151P3	MACK	416921!	88AX215P3	MACK	416288!	88AX288	MACK	5405	88AX373	MACK	415058
88AX152	MACK	416888!	88AX216	MACK	471688	88AX289	MACK	5403	88AX374	MACK	370057A
88AX153	MACK	415058	88AX217	MACK	411500	88AX290	MACK	5406 \$	88AX375	MACK	416865
88AX153P3	MACK	415058	88AX218	MACK	416921!	88AX291	MACK	415995!	88AX376	MACK	370069A
88AX154	MACK	415437	88AX219	MACK	476470	88AX291P2	MACK	415995!	88AX376	MACK	380069A
88AX154	MACK	415437!	88AX21P3	MACK	415351!	88AX291P3	MACK	415995!	88AX378	MACK	416865
88AX155	MACK	417171!	88AX22	MACK	415041	88AX292	MACK	415991	88AX379	MACK	370036A
88AX156	MACK	415394	88AX221	MACK	417181!	88AX292	MACK	455146!	88AX379	MACK	370349A
88AX157P3	MACK	416024	88AX222	MACK	100495	88AX293	MACK	415995!	88AX380	MACK	370019A
88AX158	MACK	415021	88AX222	MACK	417349	88AX3	MACK	472397!	88AX382	MACK	370069A
88AX159	MACK	417621!	88AX223	MACK	416664!	88AX300	MACK	416049N=	88AX382	MACK	380069A
88AX159P2	MACK	417621	88AX225	MACK	455123	88AX303P2	MACK	5578 \$	88AX383P2	MACK	416294=
88AX16	MACK	471255!	88AX225P3	MACK	455123	88AX306	MACK	472164!	88AX385P3	MACK	471570!
88AX165	MACK	415995!	88AX226	MACK	415196!	88AX308	MACK	417362!	88AX386P2	MACK	332134
88AX165P2	MACK	415995!	88AX226P2	MACK	415196=	88AX311P3	MACK	471224!	88AX386P3	MACK	332134
88AX166	MACK	415302	88AX226P2	MACK	415196!	88AX312	MACK	472070	88AX387P3	MACK	415294!
88AX167	MACK	456105	88AX229	MACK	417247!	88AX314P2	MACK	415897N=	88AX388P2	MACK	481315N=
88AX167P3	MACK	456105	88AX231	MACK	471553!	88AX315	MACK	415995!	88AX390P2	MACK	472012
88AX17	MACK	417273	88AX231P2	MACK	471567!	88AX316	MACK	455310	88AX391P2	MACK	415027
88AX170	MACK	416706!	88AX231P3	MACK	471567!	88AX316P3	MACK	455310	88AX392P2	MACK	455185N=
88AX170P2	MACK	416706=	88AX232	MACK	417343!	88AX317	MACK	7747=	88AX393P3	MACK	416239!
88AX172	MACK	410102	88AX233	MACK	416158	88AX319P2	MACK	417484!	88AX394P3	MACK	415867
88AX173	MACK	415551	88AX234	MACK	416167!	88AX321P3	MACK	470954	88AX395P3	MACK	416039
88AX174	MACK	415035	88AX236	MACK	471763	88AX322	MACK	415449!	88AX396P3	MACK	417022
88AX174	MACK	415035!	88AX239	MACK	455625=	88AX322P2	MACK	415449	88AX397P3	MACK	415128
88AX175	MACK	472636!	88AX24	MACK	473423	88AX324	MACK	417022	88AX398P3	MACK	416100=
88AX176	MACK	471224!	88AX240	MACK	415060	88AX326	MACK	370019A	88AX4	MACK	471549!
88AX177	MACK	416892!	88AX240	MACK	455060	88AX327	MACK	416029N!	88AX400	MACK	472012
88AX177P3	MACK	416892!	88AX240P3	MACK	415060	88AX327P2	MACK	416029N!	88AX401P2	MACK	470898
88AX178	MACK	415150!	88AX240P3	MACK	455060	88AX328	MACK	417172	88AX402	MACK	370069A
88AX18	MACK	471554!	88AX241	MACK	470954!	88AX331	MACK	254287	88AX402	MACK	380069A
88AX182	MACK	471554!	88AX241P3	MACK	470954!	88AX331P3	MACK	254287	88AX403	MACK	370069A
88AX183	MACK	471567!	88AX242	MACK	473453	88AX334	MACK	415128	88AX403	MACK	380069A
88AX184	MACK	471570!	88AX247	MACK	471570!	88AX334P3	MACK	415128	88AX404	MACK	370069A
88AX186	MACK	473367!	88AX247P3	MACK	471570!	88AX337	MACK	443527* =	88AX404	MACK	380069A
88AX186	MACK	473367	88AX248	MACK	476470	88AX34	MACK	457874	88AX405	MACK	415058
88AX187	MACK	470088	88AX248P2	MACK	476470	88AX340	MACK	416706=	88AX406	MACK	370019A
88AX188	MACK	473238	88AX249	MACK	415938	88AX340P2	MACK	416706=	88AX407	MACK	416892
88AX189	MACK	472924!	88AX251	MACK	412871!	88AX341	MACK	415995!	88AX408P1	MACK	470954!
88AX19	MACK	415035!	88AX253	MACK	417546!	88AX341P2	MACK	415995!	88AX409P3	MACK	416951
88AX19	MACK	415035	88AX255	MACK	415960!	88AX342P2	MACK	410102=	88AX410P2	MACK	470954
88AX190	MACK	416738!	88AX257	MACK	415995!	88AX343P2	MACK	472016!	88AX410P3	MACK	470954!
88AX190	MACK	450096	88AX259	MACK	415991	88AX344P2	MACK	412119=	88AX415P3	MACK	471570!
88AX191	MACK	412943	88AX259P2	MACK	415991	88AX345P2	MACK	415001=	88AX416P2	MACK	415449

! Industrial Size/Type * Minor Width Difference \$F-M Number Is Part Of A Kit

= The U.S. customer service number is 877-4-TIMKEN. The Canadian customer service numbers are 800-565-4927 (English) and 800-565-0438 (French-Canadian).

OIL SEALS

88AX417 – 89986R91

Mr. No.	Name	Zero Duplication or Recommended Industrial	Mr. No.	Name	Zero Duplication or Recommended Industrial	Mr. No.	Name	Zero Duplication or Recommended Industrial	Mr. No.	Name	Zero Duplication or Recommended Industrial
88AX417	MACK	415294!	88AX75P3	MACK	476838!	8920	FALCK	416664!	8948LUP	JN-MN	415090
88AX418	MACK	415058	88AX76	MACK	473426	8920	FED	416664!	8949LPD	JN-MN	417562
88AX419	MACK	370033A	88AX76P3	MACK	473426	8920200	GMC	473476	8949LUP	JN-MN	417562
88AX421	MACK	416892	88AX77	MACK	370036A	892066	WHITE	370007A	894A786	GE	450457
88AX424	MACK	370069A	88AX77	MACK	370349A	8921150B	GMC	470954!	8950LPD	JN-MN	416229
88AX424	MACK	380069A	88AX79	MACK	415645!	8921301	GMC	455956H	8950LUP	JN-MN	416229
88AX425	MACK	370037A	88AX79	MACK	455104	8922045	GMC	417344=	895121C1	IH	417316
88AX425	MACK	370338A	88AX79P3	MACK	415645!	8922045-B	GMC	417344=	8951LPD	JN-MN	415116
88AX427	MACK	370019A	88AX79P3	MACK	455104	8922046	GMC	417344=	8951LUP	JN-MN	415116
88AX429P3	MACK	471224!	88AX7P3	MACK	472924!	8923654	GMC	417550	8952LPD	JN-MN	455406!
88AX432	MACK	370005A	88AX8	MACK	450039	8923655	GMC	J2037=	8952LUP	JN-MN	455406!
88AX439	MACK	370023A	88AX81	MACK	473438	8924374	GMC	455134	8953000237	AMC	4019N
88AX440	MACK	415991!	88AX82	MACK	472157!	8924453	GMC	39904	8953000239	AMC	470547
88AX440	MACK	415991	88AX82	MACK	472157	892457	WHITE	5481	8953000476	AMC	473212
88AX440P2	MACK	415991!	88AX83	MACK	472185	8924LPD	JN-MN	471833	8953002642	AMC	473452
88AX440P2	MACK	415991	88AX84	MACK	416332!	8925LPD	JN-MN	417267	8953LPD	JN-MN	417602!
88AX440P4	MACK	415991	88AX84-P1	MACK	416332!	8925LUP	JN-MN	417267	8953LUP	JN-MN	417602!
88AX441P3	MACK	417278	88AX84-P2	MACK	416332!	8926135	GMC	357971V=	895486	WHITE	415983N!
88AX442P3	MACK	415294!	88AX88	MACK	415001!	8926902	GMC	415035	895486T2	DIA	415983N!
88AX443	MACK	370173A	88AX89	MACK	415116	89270	BR-ST	473426	895486T2	WHITE	415983N!
88AX444P2	MACK	415983N!	88AX9	MACK	473438	8927748	GMC	415284	8954LPD	JN-MN	417604
88AX448	MACK	415058	88AX90	MACK	470088	8927749	GMC	327934	8954LUP	JN-MN	417604
88AX450	MACK	370005A	88AX93	MACK	471354!	8928213	GMC	454136N	8955LPD	JN-MN	416364!
88AX454	MACK	472012	88AX93P3	MACK	471354!	8928LPD	JN-MN	472951	8955LUP	JN-MN	416364!
88AX455	MACK	4489V=	88AX94	MACK	417556	8928LPD	JN-MN	474252	89569	US-EL	471821!
88AX455	MACK	713750	88AX95	MACK	417223	8928LUP	JN-MN	472951	8956A	C-R	417621!
88AX463	MACK	713750	88AX96	MACK	411376!	8928LUP	JN-MN	474252	8956LPD	JN-MN	417542
88AX463	MACK	714489	88AX97	MACK	415437!	8929134	DETRO	472324	8956LUP	JN-MN	417542
88AX466	MACK	415058	88AX97	MACK	415437	8929134	GMC	472324	895781	WHITE	410496!
88AX467	MACK	416892	88AX97P3	MACK	415437!	8929154	GMC	484156V	8960B	HYST	416921!
88AX469	MACK	370048A	88AX97P3	MACK	415437	8929213	GMC	454136N	8961248	GMC	2361
88AX469	MACK	380048A	88AX98	MACK	415350	8929503	GMC	4494V	896473	ROCKW	415995!
88AX47	MACK	415988	88AX99	MACK	417563	893	ITM	224040	896473	ROCKW	415995!
88AX49	MACK	415995!	88AXB1	MACK	416706	893	ITM	40X60X10!	896473	WHITE	415995!
88AX49-P2	MACK	415995!	88AXB2	MACK	415001!	89307	HYST	417262!	896473T2	DIA	415995!
88AX5	MACK	471137	88AXB21	MACK	416029N!	8931A	C-R	415088	89660	BR-ST	7014S
88AX50	MACK	416706	88AXB4	MACK	416706!	8931A	C-R	415088!	89692	BR-ST	471267!
88AX51	MACK	416706!	88AXB5	MACK	415960	8932	FULLE	240735	896941R91	IH	370048A
88AX52	MACK	412943	88AXB6	MACK	417621!	893220	WHITE	6597S	896K1	WHITE	474276
88AX53	MACK	411253!	88AXM	MACK	415995!	893220K1	DIA	6597S	89724	CHRYL	471827
88AX54	MACK	415991	88AXT21	MACK	416239!	893230	WHITE	6597S	8972LPD	JN-MN	472185!
88AX54	MACK	455146!	88G490	LEYLD	224470	8932A	C-R	415832	8972LUP	JN-MN	472185!
88AX55	MACK	417210!	88G490	LEYLD	44X72X10!	8933002971	AMC	424	897348R91	IH	412119
88AX55-P2	MACK	417210=	88G561	LEYLD	1873	893300414	AMC	716445	89735R1	IH	240735
88AX56	MACK	412473!	88X110X12	SIMRT	88X110X12	8933004143	AMC	716445	8973R	JN-MN	472572!
88AX58	MACK	455151	88X110X12SC	TRSCM	88X110X12	8933004143	NOK	716445	8973S	SPG	9015S
88AX59	MACK	370036A	88X110X12TC	TRSCM	88X110X12	893747	WHITE	100495	897436R91	IH	416426H=
88AX59	MACK	370349A	890016C91	IH	416380!	893747	WHITE	417349	897599R91	IH	455005
88AX59P3	MACK	370036A	8900LPD	JN-MN	415284	893747T2	DIA	417349!	8975LPD	JN-MN	471619!
88AX59P3	MACK	370349A	8900LUP	JN-MN	415284	893788C91	IH	471571	8975LUP	JN-MN	471619!
88AX6	MACK	470334!	8900S	SPG	68866S	8941LUP	JN-MN	457299	898235-R93	IH	370019A
88AX61	MACK	415995!	8901R	JN-MN	417562	894225C91	IH	412119	8983501389	AMC	4370N
88AX61P3	MACK	415995!	890475	WHITE	470530!	8943LPD	JN-MN	455129*	8983501872	AMC	474278
88AX62	MACK	416666	89070	C-P	470954!	8943LUP	JN-MN	455129	8983503010	AMC	473214!
88AX63	MACK	472572!	8909	HYST	470334!	8945LUP	JN-MN	415023	8983503063	AMC	9912
88AX64	MACK	410987!	891002	WHITE	HU028A	8945R	JN-MN	415023	8983503504	AMC	710202
88AX65	MACK	416865!	891004	WHITE	HU034A	894631	SPICE	415995!	8983503752	AMC	223831
88AX65P3	MACK	416865!	891015	WHITE	370001A	8946315	SPICE	415072	8983504434	AMC	472572
88AX66	MACK	473245!	891033	WHITE	370001A	8946316	SPICE	415035!	8985R	JN-MN	455328
88AX67	MACK	473463	891034	WHITE	370001A	8946316	SPICE	415035	89878	HYST	485725N
88AX68	MACK	471354!	891035	WHITE	370001A	894632	SPICE	415449!	8989LPD	JN-MN	450084!
88AX69	MACK	5751	8910A	C-R	415449!	894633	H-S	415351!	8989LUP	JN-MN	450084!
88AX7	MACK	472924!	89121024	RCA	470954	894633	SPICE	415351!	898F8	C-R	415656
88AX70	MACK	416125!	89121027	RCA	471224	894637	SPICE	415991	8991LPD	JN-MN	411376!
88AX71	MACK	455056	891437	CHRYL	5797	894637	SPICE	455146!	8991LUP	JN-MN	411376!
88AX72	MACK	417269!	891448	CHRYL	470354	894638	SPICE	470712!	899246	WHITE	415995!
88AX73	MACK	417516	891448	CLARK	470354	8946LPD	JN-MN	416891!	8993LPD	JN-MN	55539=
88AX74	MACK	455297	891448	MASSE	470354	8946LUP	JN-MN	416891!	8993LUP	JN-MN	55539=
88AX75	MACK	476838!	89185	AM WH	416239!	894763M1	MASSE	416921!	899448	CLARK	100495
88AX756	MACK	J1289*=	891944	CLARK	204013	8947LPD	JN-MN	415072	899448	CLARK	417349
88AX758	MACK	J1293*=	8919LPD	JN-MN	415090*	8947LUP	JN-MN	415072	8998	DICO	441319
88AX75P1	MACK	476838!	8919LUP	JN-MN	415090	8948LPD	JN-MN	415090	89986R91	IH	450143

! Industrial Size/Type * Minor Width Difference

= The U.S. customer service number is 877-4-TIMKEN. The Canadian customer service numbers are 800-565-4927 (English) and 800-565-0438 (French-Canadian).

NUMERICAL INTERCHANGE

Mfr. No.	Name	Zero Duplication or Recommended Industrial	Mfr. No.	Name	Zero Duplication or Recommended Industrial	Mfr. No.	Name	Zero Duplication or Recommended Industrial	Mfr. No.	Name	Zero Duplication or Recommended Industrial
8999LPD	JN-MN	417496*	8H7319	CATER	417621	8X16X7	SIMRT	8X16X7	90063	C-R	415090
8999LUP	JN-MN	417496	8H9155	CATER	456946N=	8X16X7SC	TRSCM	8X16X7	90066	SPG	473367
899A4	WHITE	408	8H9180	CATER	7188S	8X18X5AN(35)	ISP	8X18X5	900665	EL-MO	473241
8A0-501-641A	AUDI	1962	8H9220	CATER	471267!	8X18X7SC	TRSCM	8X18X7	900666	EL-MO	471192
8A1096	FED	410308!	8H9519	CATER	474274	8X18X7TC	TRSCM	8X18X7	90067	SPG	473228!
8A1126	FED	473463	8H9520	CATER	471267!	8X22X7	FORSH	8X22X7!	900695	EL-MO	471316
8A1177A	FORD	471835!	8H9826	CATER	470605!	8X22X7	SIMRT	8X22X7!	900734	EL-MO	473227!
8A1177A1	FORD	471835!	8H9836	CATER	473232	8X22X7SC	TRSCM	8X22X7!	900757	EL-MO	415449!
8A1177A2	FORD	471835!	8J1190	FORD	6547	8X22X7TC	TRSCM	8X22X7!	900831	EL-MO	417079
8A1177A3	FORD	471835!	8J4869	CATER	416364!	8X24X7	FORSH	8X24X7	90091926	GMC	228008
8A1190A	FORD	473235	8J7893	JN SON	J1119	8X24X7	SIMRT	8X24X7	900920	EL-MO	416130!
8A3591A1	FORD	240151	8L2594	CATER	471570!	8X24X7SC	TRSCM	8X24X7	900927	EL-MO	416556!
8A3591A2	FORD	240151	8L2595	CATER	417350!	8X24X7TC	TRSCM	8X24X7	900927	EL-MO	472157
8A56277S	TROS	55301S	8L2891	CATER	481443!	9-09924-449-0	VILA	228480	900939	EL-MO	417474
8A6000	FED	471570!	8L3024	CATER	481443!	900 C-R	415983N+99372		900959	EL-MO	471316
8A63	PUL	HU013A	8L6547	CATER	472475	900 UNIVE	415090*		90096	ADAMS	471413
8A64	PUL	HU009A	8L7657	FORD	473235!	900016	EL-MO	471424!	900974	EL-MO	472015!
8A7261	FED	473215!	8L7657A	FORD	473235!	90003	C-R	55301S	900991	EL-MO	415302
8A7262	FED	471570!	8L7657B	FORD	7300S	90005	C-R	55301S	901 C-R	712270+99086	
8A7976	FED	450307	8L7657C	FORD	7300S	90006	C-R	417940!	901 C-R	712270+99087	
8A8203	FED	470898!	8M1177	FORD	40067S=	90006	C-R	55301S*	901017	WAYNE	240733
8A8579	FED	415449!	8M1177A	FORD	473228	900108	EL-MO	416664!	901018	WAYNE	450039
8AX1177	FORD	471835!	8M1177B	FORD	473228	900110	MICH	415090*	90102037	DEMPC	471760
8B136	CATER	472705!	8M3524	CATER	470334!	9001100	UNIVE	415090*	901027	WAYNE	450908=
8B2240	FED	410708	8M3591	FORD	240356	9001223	GMC	471466!	9010625	GMC	J1117
8B2702	CATER	473367!	8M4104	CATER	473459	90015	C-R	455476	9010630	GMC	415483
8B2702	CATER	473367	8M4676	FORD	5778	900154C	SPG	712140	9010A	C-R	471763*
8B6341	CATER	417513	8M4676A	FORD	5778	900156	EL-MO	415867	9012	JN-MN	370023A
8B7180	CATER	473228	8M7657	FORD	473228!	90016	C-R	455476	90122607	GMC	710232
8B7618	CATER	410987!	8M8110	CATER	456837V	900160	C-R	456462	90122609	GMC	1108
8B7989	CATER	415437	8M8761	CATER	472018	90017	C-R	455476	90123632	JOY	471413!
8B8252	CATER	473215!	8M8955	CATER	415035	90019	C-R	455476	90124110	JOY	415058
8B8255	CATER	472409!	8M9299	CATER	471570!	9001R	JN-MN	417498	901241100	JOY	417344!
8B8294	CATER	416654!	8N-4233A	FORD	472492	9002	JN-MN	416892	901241101	JOY	416654!
8B8359	CATER	471766!	8N4233	FORD	472492!	900202	EL-MO	455079!	901241104	JOY	415995!
8B8616	CATER	476470	8N4233A1	FORD	472492!	900218	EL-MO	471567!	901241105	JOY	473245!
8B8925	CATER	473229	8N4233A2	FORD	472492!	900229	EL-MO	415088	901241106	JOY	470059
8B9631	CATER	470334!	8N4248	FORD	6643S	900229	EL-MO	415088!	901241106	JOY	470380!
8C3100	CATER	471192	8N4248A	TRU-P	6643S	90023	C-R	455462*	901241108	JOY	480210!
8C5167	CATER	417484!	8N4248B	FORD	6643S	90024	C-R	455462	90124111	JOY	417487
8C5210	CATER	471267	8N4251	FORD	417316!	90025	C-R	455462	901241115	JOY	416865!
8C5236	CATER	73478=	8N4251B	FORD	417316!	900250	C-R	455462	90124112	JOY	456105
8C815248	FUNK	472164!	8N7052	FORD	472258	900253C	SPG	712139	901241120	JOY	481073
8C87638	FUNK	411253!	8N7052A	FORD	472258	90026	C-R	455462	901241121	JOY	471553!
8D1175	FORD	410987!	8N7052A1	FORD	472258	900276	EL-MO	471570!	901241123	JOY	471689!
8D2311	CATER	416167!	8N7052A2	FORD	472258	900279	EL-MO	417556	901241124	JOY	471649!
8D3902	CATER	416332!	8N7052A3	FORD	472258	90030	C-R	415090	901241125	JOY	471224!
8EB1190	FORD	6638S	8N7052H	FORD	471141!	900301	EL-MO	412920!	901241127	JOY	471763
8EB3591A	FORD	480630!	8QH1174	FORD	6532S=	900302	EL-MO	471763	901241128	JOY	476838!
8EB3591A1	FORD	480630!	8QH1181	FORD	6532S=	900313	EL-MO	473214!	901241129	JOY	470712!
8EB3591A2	FORD	480630!	8S2225	CATER	254287*	90035	C-R	415090	90124113	JOY	415035
8EQH2965	FORD	471689!	8S4862	B-L-H	472164!	90036	C-R	415090*	90124113	JOY	415035!
8F0019	CATER	100641	8S5575	CATER	471442!	900366	EL-MO	416154!	901241131	JOY	471750!
8F1596	CATER	415327	8S5575	CATER	482971	900384	EL-MO	415437	901241132	JOY	470625!
8F2079	CATER	471705!	8T0085	CATER	417940!	900392	EL-MO	471224!	901241133	JOY	473229
8F3522	CATER	472179	8T0322	CATER	416865N	900402C	SPG	472150	901241135	JOY	470712!
8F3528	CATER	471763	8T1009	HU-WR	473313	9004LPD	JN-MN	455019!*	901241137	JOY	473010
8F3600	CATER	415035	8T1020	HU-WR	473245!	9004LUP	JN-MN	455019!	901241138	JOY	473446
8F4331	CATER	413479	8T1051	HU-WR	415938	9005	C-R	710254	901241139	JOY	473236!
8F450	CATER	470328	8T1284	HU-WR	417563	9005	JN-MN	370021A	901241142	JOY	470334!
8F450	CATER	481213!	8T1402	HU-WR	472016	900509	EL-MO	416666	901241144	JOY	473450
8F5179	CATER	471442	8T2230	CATER	4419!	90052	DENCO	410102	901241145	JOY	471866!
8F530	CATER	415023	8T2604	CATER	351487	900520	EL-MO	416239!	901241146	JOY	473458!
8F5340	CATER	240731	8T2604	CATER	7188S	9005354	GMC	415938	901241147	JOY	471868
8F5583	CATER	417562	8T3007	CATER	77980=	9005357	GMC	417602!	901241148	JOY	472439
8F7702	CATER	727410	8T3413	CATER	473232	9005359	GMC	415938	90124115	JOY	455008
8F9770	CATER	417316!	8T4676A	FORD	410737!	9005360	GMC	416381	901241151	JOY	472397!
8G1002	HU-WR	415027	8T4676B	FORD	410737!	900553	EL-MO	415995!	901241152	JOY	473242
8G1002	HU-WR	415027!	8T6917	CATER	416921!	900556	EL-MO	472397!	901241153	JOY	416738!
8G1085	HU-WR	412473!	8T7021	CATER	417939	90060	C-R	415090	901241153	JOY	450096
8G1176	HU-WR	471649!	8T7274	FORD	472705!	90061	C-R	415090	901241154	JOY	450307
8G1178	HU-WR	473205	8X16X7	FORSH	8X16X7	900621	EL-MO	415725!	901241155	JOY	472016

! Industrial Size/Type * Minor Width Difference

= The U.S. customer service number is 877-4-TIMKEN. The Canadian customer service numbers are 800-565-4927 (English) and 800-565-0438 (French-Canadian).

OIL SEALS

901241158 – 9014016

Mfr. No.	Name	Zero Duplication or Recommended Industrial	Mfr. No.	Name	Zero Duplication or Recommended Industrial	Mfr. No.	Name	Zero Duplication or Recommended Industrial	Mfr. No.	Name	Zero Duplication or Recommended Industrial
901241158	JOY	411253!	90124129	JOY	415645!	90124196	JOY	416444	901246236	JOY	472016
90124116	JOY	471766!	90124129	JOY	455104	90124197	JOY	411245!	901246253	JOY	471570!
901241160	JOY	410694!	901241290	JOY	415938	90124198	JOY	415449!	901246276	JOY	476470
901241161	JOY	411394!	901241293	JOY	473474	90124199	JOY	455151	90124629	JOY	417344!
901241162	JOY	416271!	901241294	JOY	471466!	901244100	JOY	471736	901246294	JOY	417596
901241163	JOY	417073	901241296	JOY	450177	901244107	JOY	470625!	90124630	JOY	416921!
901241164	JOY	410496!	9012413	JOY	416107!	901244108	JOY	470625!	90124631	JOY	471750!
901241165	JOY	415302	9012413	JOY	455073	901244109	JOY	470059	901246314	JOY	416154!
901241166	JOY	415458!	901241301	JOY	416125!	901244109	JOY	470380!	90124632	JOY	471413
901241167	JOY	417485	901241302	JOY	417262!	901244110	JOY	417487	901246323	JOY	456105
901241168	JOY	455005	901241303	JOY	472311!	901244110	JOY	470059	90124638	JOY	481163!
901241169	JOY	417134	901241307	JOY	415995!	901244110	JOY	470380!	90124640	JOY	472029
90124117	JOY	457874	901241308	JOY	471424!	901244112	JOY	473229	90124641	JOY	417507
901241172	JOY	417488!	901241315	JOY	471391!	901244113	JOY	473229	90124641	JOY	417507!
901241173	JOY	55155=	901241323	JOY	471692!	90124412	JOY	456105	90124652	JOY	415995!
901241174	JOY	417621!	901241328	JOY	472560!	901244120	JOY	472179	90124653	JOY	415991
901241175	JOY	416288!	901241329	JOY	473237!	901244121	JOY	472179	90124653	JOY	455146!
901241178	JOY	412473!	90124133	JOY	415007	901244127	JOY	472572!	90124664	JOY	472179
901241179	JOY	417191	90124135	JOY	473214	901244132	JOY	472492!	90124666	JOY	472492!
901241179	JOY	456585	901241354	JOY	417602!	901244134	JOY	472397!	90124668	JOY	471271!
90124118	JOY	416339	90124136	JOY	415988	901244136	JOY	473463	90124681	JOY	472924!
90124118	JOY	455031!	90124137	JOY	471138!	901244137	JOY	416738!	90124682	JOY	472397!
901241180	JOY	415025	901241370	JOY	470605!	901244137	JOY	450096	9012469	JOY	417344!
901241181	JOY	455249!	901241376	JOY	472492!	901244139	JOY	450532	901247106	JOY	415995!
901241182	JOY	415711	901241391	JOY	473197	901244140	JOY	473467	901247107	JOY	55155=
901241183	JOY	415937!	9012414	JOY	416666	901244145	JOY	473243	901247109	JOY	417621!
901241184	JOY	415379!	90124142	JOY	415379!	901244149	JOY	471272!	901247121	JOY	415034!
901241184	JOY	415379	90124142	JOY	415379	901244153	JOY	411253!	901247162	JOY	55301S
901241187	JOY	417211!	901241427	JOY	417316!	901244154	JOY	412920!	901247165	JOY	415645!
901241189	JOY	415138!	90124143	JOY	418028	901244155	JOY	455136	901247165	JOY	455104
901241190	JOY	415034!	90124143	JOY	455137!	90124416	JOY	471766!	901247177	JOY	416891!
901241192	JOY	417513	90124145	JOY	415960	901244173	JOY	415449!	901247179	JOY	472636!
901241193	JOY	416891!	901241452	JOY	417316!	901244181	JOY	417344!	901247187	JOY	416364!
901241194	JOY	472157	901241457	JOY	473367	901244182	JOY	417158!	901247193	JOY	417567!
901241195	JOY	416888!	90124146	JOY	473238	901244189	JOY	417351!	901247197	JOY	415138!
9012412	JOY	417546!	90124147	JOY	415960	901244191	JOY	417488!	90124731	JOY	471750!
90124120	JOY	415045!	90124148	JOY	472924!	901244197	JOY	417490	901247413	JOY	470605!
901241200	JOY	416167!	90124149	JOY	417356!	901244200	JOY	455336	90124751	JOY	472636!
901241201	JOY	416865!	90124149	JOY	455188	901244202	JOY	418028	901248103	JOY	473450
901241202	JOY	416865!	9012415	JOY	472185!	901244202	JOY	455137!	901248150	JOY	415138!
901241206	JOY	457874	90124151	JOY	472636!	901244203	JOY	476470	901248156	JOY	472560!
901241208	JOY	416229	90124152	JOY	415995!	901244213	JOY	417356!	901248161	JOY	411394!
901241209	JOY	411376!	90124154	JOY	473232	901244213	JOY	455188	90124823	JOY	412119!
90124121	JOY	416892!	90124157	JOY	416153!	901244222	JOY	416137	9012483	JOY	412119!
901241211	JOY	415551	90124158	JOY	470530!	901244236	JOY	417278	90124860	JOY	410190
901241213	JOY	417606	9012416	JOY	450084!	901244246	JOY	415072	90124861	JOY	471571
901241214	JOY	417020	90124160	JOY	410737!	90124425	JOY	417316!	90124862	JOY	470712!
901241216	JOY	471648	90124161	JOY	473214	90124426	JOY	476470	90124869	JOY	50075=
90124122	JOY	455024	90124164	JOY	415379	901244260	JOY	411394!	90124871	JOY	473462
90124123	JOY	412119!	90124164	JOY	415379!	901244278	JOY	471870!	90124873	JOY	471224!
90124124	JOY	471765!	90124165	JOY	416239!	9012443	JOY	416107!	90124876	JOY	417171!
901241241	JOY	470712!	90124166	JOY	417247!	9012443	JOY	455073	90124880	JOY	481568!
90124125	JOY	417316!	9012417	JOY	415001!	90124430	JOY	416921!	90124899	JOY	450068
901241251	JOY	471272!	90124171	JOY	415991	90124433	JOY	415007	901259D	SPG	413246
901241254	JOY	415995!	90124171	JOY	455146!	90124437	JOY	471138!	901288	O-M	203025
901241259	JOY	471570!	90124172	JOY	410102	90124441	JOY	417507	90129860	GMC	3543
90124126	JOY	476470	90124173	JOY	471571	90124441	JOY	417507!	90129860	GMC	35X55X11!
901241263	JOY	415991	90124176	JOY	473467	90124443	JOY	418028	901354A	SPG	712137
901241263	JOY	455146!	90124177	JOY	413469!	90124443	JOY	455137!	90136	WHITE	473367
901241268	JOY	471567!	90124178	JOY	417171!	901244461	JOY	472164!	90136	WHITE	473367!
901241269	JOY	473213!	90124179	JOY	415021	9012447	JOY	415449!	90136849	GMC	710399
901241270	JOY	417492	9012418	JOY	413469!	90124476	JOY	473236!	9013LPD	JN-MN	450188
901241271	JOY	416892!	90124180	JOY	415988	90124485	JOY	50266	9013LUP	JN-MN	450188
901241272	JOY	415938	90124181	JOY	415023	90124489	JOY	471224!	9014	JN-MN	370030A
901241273	JOY	418028	90124182	JOY	473215!	90124491	JOY	471224!	90140	WHITE	470059
901241273	JOY	455137!	90124184	JOY	471821!	90124493	JOY	471835!	90140	WHITE	470380!
901241274	JOY	415437	90124187	JOY	474265	90124497	JOY	471692!	9014004	ESSIC	40169S
901241275	JOY	471554!	90124189	JOY	472144!	90124499	JOY	471785!	9014005	ESSIC	471529
901241279	JOY	416664!	9012419	JOY	415027!	901245121	JOY	472179	9014007	ESSIC	471567!
90124128	JOY	415036	9012419	JOY	415027!	901245208	JOY	415437	9014015	ESSIC	450593!
901241282	JOY	473228	90124191	JOY	473460	901246127	JOY	416891!	9014016	ESSIC	470328
			90124194	JOY	472394	901246133	JOY	415138!	9014016	ESSIC	481213!

! Industrial Size/Type

= The U.S. customer service number is 877-4-TIMKEN. The Canadian customer service numbers are 800-565-4927 (English) and 800-565-0438 (French-Canadian).

NUMERICAL INTERCHANGE

Other Quality Industrial Products



V-Seals™

A simple, versatile elastomeric “face-type” seal produced in Nitrile or Viton, Timken’s line of V-Seals™ function as an additional sealing element. V-Seals are recommended for extreme, high-contaminant environments.

The V-Seal typically mounts on and rotates with the shaft while the lip lightly contracts the counterface. The elastic design eases installation, within a broad range of applications.



Wear Sleeves

As precision components that press-fit onto a shaft, Timken’s line of Wear Sleeves may deter damage to shafts and spindles, both in use and during transport.

Designed for ambient-temperature assembly and available in various sizes and finishes, Wear Sleeves provide protective seal running surfaces and reduce the need for complex and expensive shaft machining, repair or replacement.



O-Ring Seal Kits

Available in inch and metric sizes, Timken’s line of O-Ring Seal Kits have the coverage you need for the most popular applications. O-Ring Seals are made of a high-quality Nitrile rubber or a high-temperature fluoroelastomer.

Timken can provide you with three assortments: OK-311, OK-312 and OK-411. The MD-999 O-Ring identification gauge, designed to measure and identify O-Ring sizes.



Installation Tools

The RD-2000 and RD-2001 tools help to properly install seals and prevent unnecessary downtime.

Timken’s RD-2000 Seal Driver puts seals in place quickly, easily and without damage, allowing smooth equipment operation without premature seal leakage.

The RD-2001 Bearing Race and Seal Driver easily installs bearings and seals without damaging the bearing race or housing.

Timken also offers the time-saving RD-2004 O-Ring Installation and Removal Tool, as well as the durable and precise MD-2000 Metal Caliper.

To order National industrial seals, contact your Timken sales representative or call 1.877.4.TIMKEN in the U.S. In Canada, call 1.800.565.4927 for English or 1.800.565.0438 for French-Canadian. Visit us on the Web at www.timken.com/industrialseals.

TIMKEN

The Timken team applies their know-how to improve the reliability and performance of machinery in diverse markets worldwide. The company designs, makes and markets high-performance mechanical components, including bearings, gears, belts, chain and related mechanical power transmission products and services.

Stronger. Commitment. Stronger. Value. Stronger. Worldwide. Stronger. Together. Stronger.

www.timken.com

Price: USD \$75